

LAMAR FREESTANDING TUB FILLER WITH HAND SHOWER

Cat. No.
7932



Features:

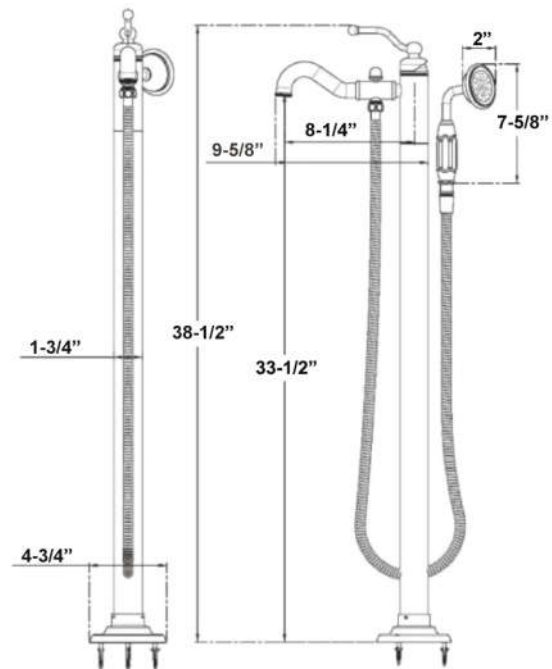
- ▶ Spout reach is 8-1/4"
- ▶ Flow rate 5.82 GMP (80 PSI)
- ▶ 1/2" NPSM Water connection
- ▶ Solid brass construction
- ▶ 1 hole installation
- ▶ IAPMO certified
- ▶ Hand held handshower flow rate 1.6 GPM (80 PSI)
- ▶ Porcelain handle on handshower
- ▶ Ceramic disc cartridges
- ▶ Includes flexible supplies for under-floor hookup
- ▶ Actual weight 10LBS
- ▶ Available in 5 finishes



Finishes:

- BN** Brushed nickel
- CP** Polished Chrome
- PN** Polished Nickel
- ORB** Oil Rubbed Bronze
- MB** Matte Black

D: 9-5/8"
W: 4-3/4"
H: 38-1/2"



Use on concrete floors requires special installation. We recommend using a plumbing professional.

Dimensions are nominal and may vary. Dimensions and specifications subject to change without notice.