

BURNEY FREESTANDING THERMOSTATIC TUB FILLER

Cat. No.

7913



Features:

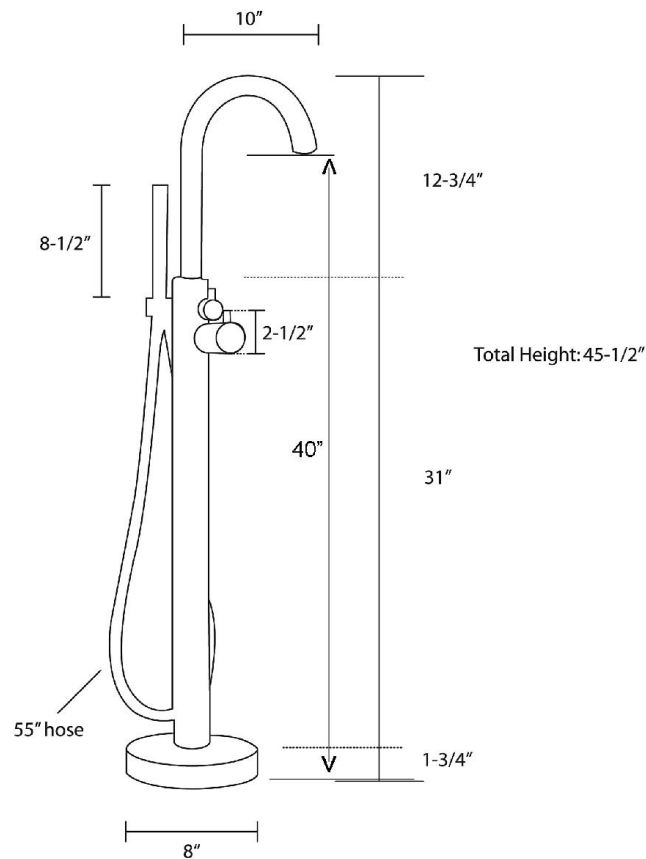
- ▶ Gooseneck swivel spout
- ▶ Flow rate 6 GPM
- ▶ Thermostatic temperature control within 1°C
- ▶ Push button diverter
- ▶ 1/2" NPT connection under floor
- ▶ Single lever control
- ▶ Wand style hand shower flow rate 2.5 GPM
- ▶ Mounts to wood or tile floor
- ▶ Available in 2 finishes

Finishes:

CP Polished Chrome

SN Brushed Nickel

L: 7-3/4"
W: 13-7/8"
H: 45-1/2"



Use on concrete floors requires special installation. We recommend using a plumbing professional.

Dimensions are nominal and may vary. Dimensions and specifications subject to change without notice.