

**BRANSON
FREESTANDING
THERMOSTATIC TUB FILLER**

Cat. No.
7912



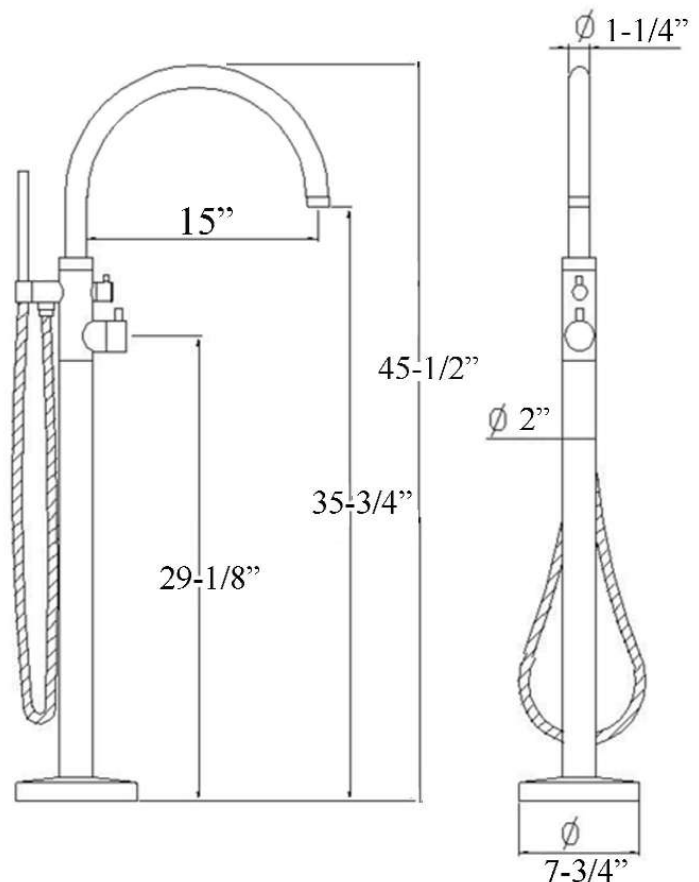
W: 7-³/₄"
H: 45-¹/₂"

Features:

- ▶ Gooseneck swivel spout
- ▶ Spout reach 15"
- ▶ Flow rate 6 GPM
- ▶ Rough-In Valve Included
- ▶ Flow rate handshower 2.5 GPM. Optional regulator in parts bag reduces flow rate to 2.0 GPM for CA requirements.
- ▶ Thermostatic Temperature Control within 1°C
- ▶ Thermostatic brass cartridge
- ▶ Push button diverter
- ▶ 1/2" NPT connection under floor
- ▶ Hand shower hose 55"
- ▶ Mounts to wood or tile floor
- ▶ Available in 2 finishes

Finishes:

- CP** Polished Chrome
- BN** Brushed Nickel



Dimensions are nominal and may vary. Dimensions and specifications subject to change without notice.