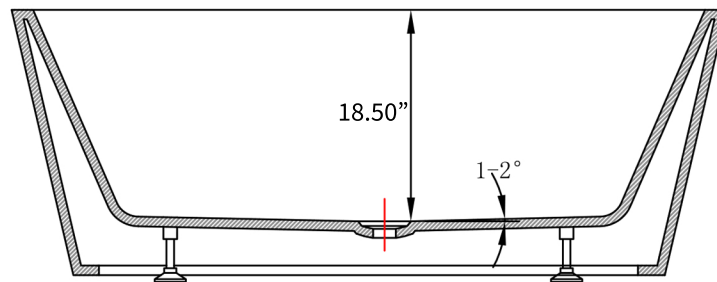
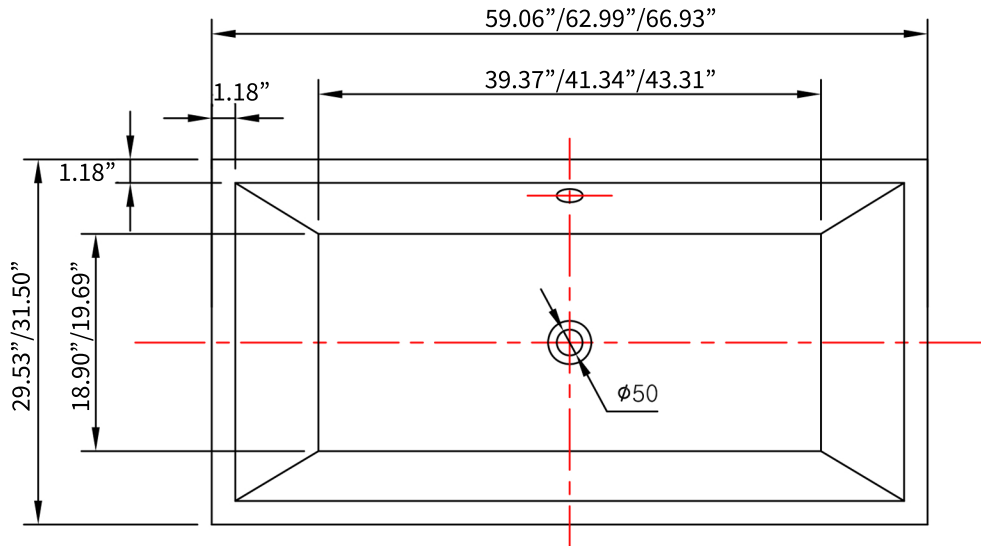
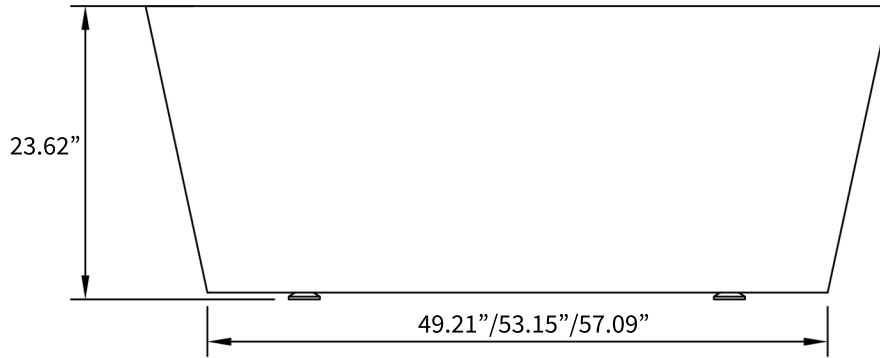




# Specification Sheet

## Palms Bathtub



 ALL DIMENSIONS & SPECIFICATIONS ARE APPROXIMATE & SUBJECT TO CHANGE WITHOUT NOTICE.