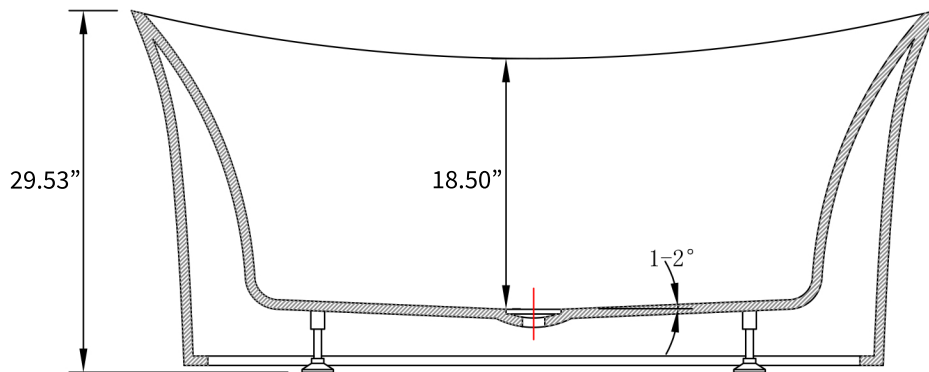
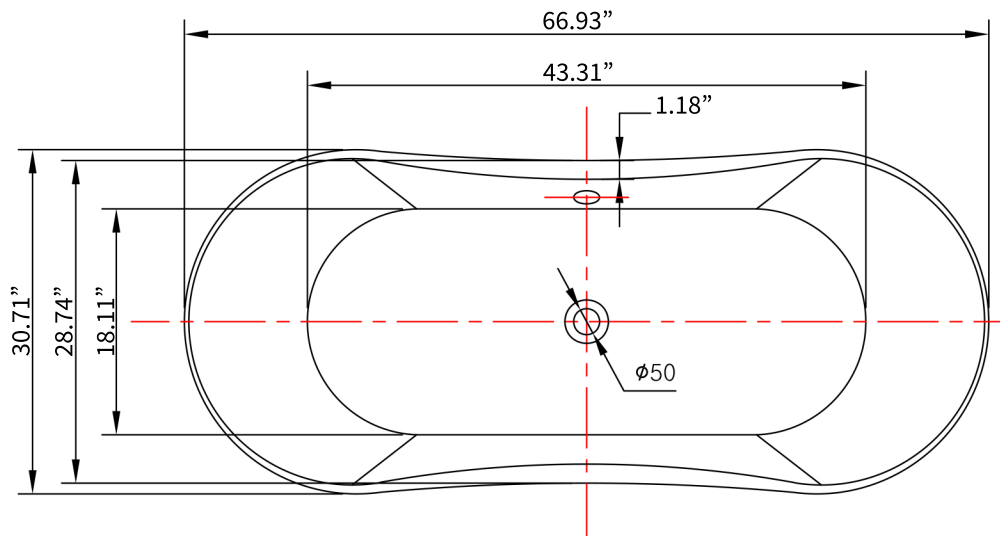
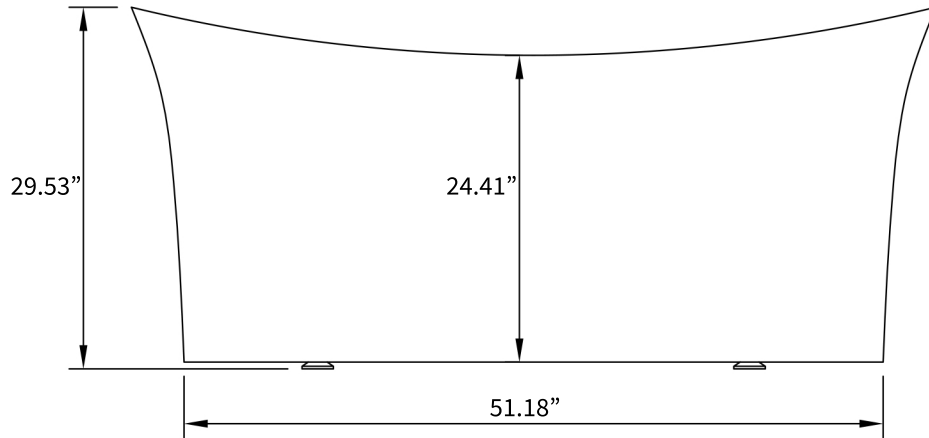




# Specification Sheet

## Sunset Bathtub



ALL DIMENSIONS & SPECIFICATIONS  
ARE APPROXIMATE & SUBJECT TO  
CHANGE WITHOUT NOTICE.