

TUB FILLER WITH DIVERTER

Cat. No.
4030



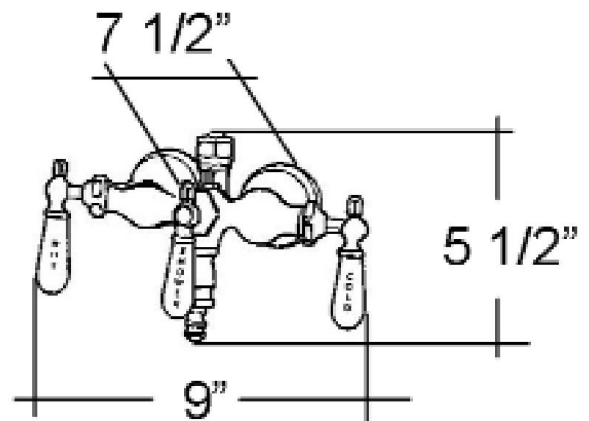
W: 9"
D: 7-1/2"
Riser Height: 62"

Features:

- ▶ Old Style Spigot
- ▶ 1/4 Turn Ceramic Disc Cartridges
- ▶ 3-3/8" Centers
- ▶ Flow Rate for Faucet is 3.34 GPM
- ▶ Flow Rate for Showerhead is 2.5 GPM
- ▶ Solid Brass Adjustable Shower Head Included
- ▶ Porcelain Lever Handles
- ▶ Cast Iron Tub Use Only (Part# 4010 for Acrylic Tub)
- ▶ **4195WS** Wall Support to be purchased separately
- ▶ To Be Used with Double Offset Supplies **#5576**

Finishes:

CP Polished Chrome



Dimensions are nominal and may vary. Dimensions and specifications subject to change without notice.