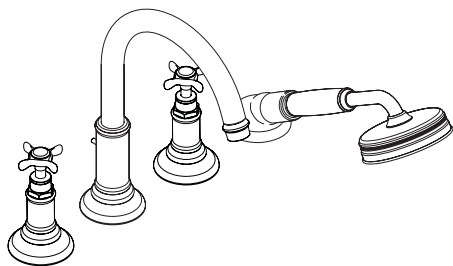
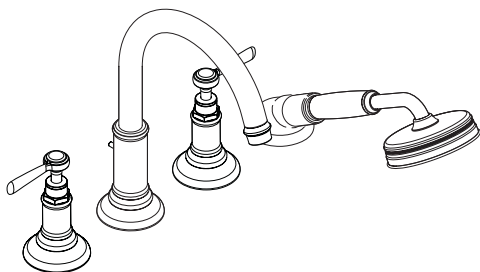


Installation Instructions / Warranty

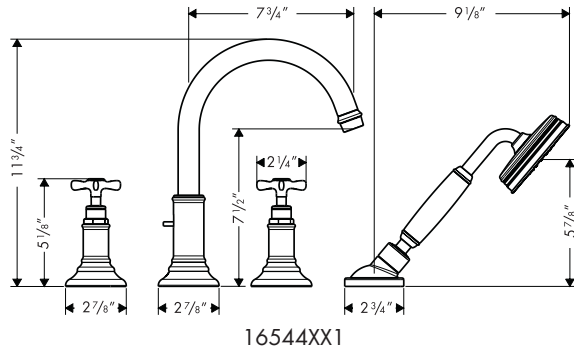


Montreux
16544XX1

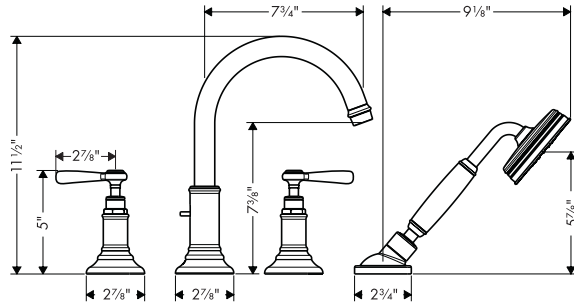


Montreux
16550XX1

AXOR[®]
hansgrohe



16544XX1

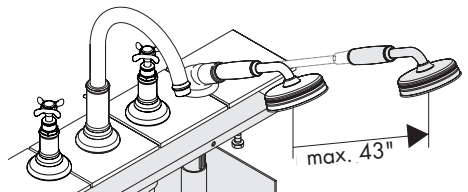


16550XX1

Technical Information

Recommended water pressure	45 - 80 psi
Recommended hot water temp.	120° - 140°F*
Max. flow rate of handshower	2.5 gpm

*Know and follow all local plumbing codes when setting the temperature on the water heater.



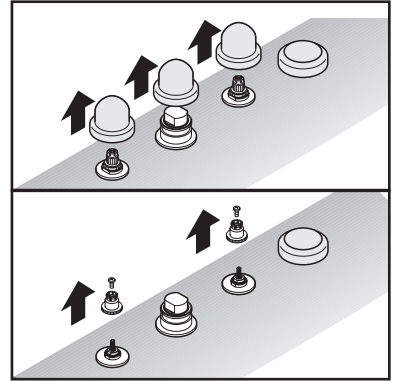
Installation Considerations

- For best results, Hansgrohe recommends that this unit be installed by a licensed, professional plumber.
- Please read over these instructions thoroughly before beginning installation. Make sure that you have all tools and supplies needed to complete the installation.
- This trim kit must be used with rough valve 13444181.
- The handshower assembly must be installed.
- Backflow protection is provided by a check valve in the high pressure hose and by a self-resetting diverter.
- The mounting surface must be finished before installation of the rough valve and trim kit.
- Keep this booklet and the receipt (or other proof of date and place of purchase) for this product in a safe place. The receipt is required should it be necessary to request warranty parts.

Installation

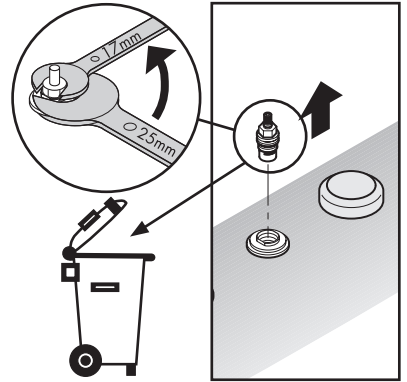
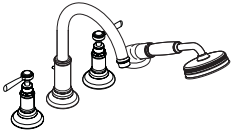
Remove the plaster shields from the hot and cold valves and the spout tee.

Remove and discard the snap connectors and screws.

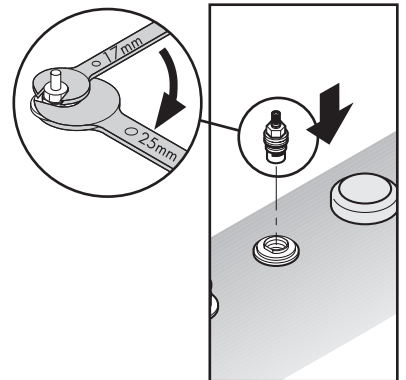


16550 only:

Remove the cold cartridge.



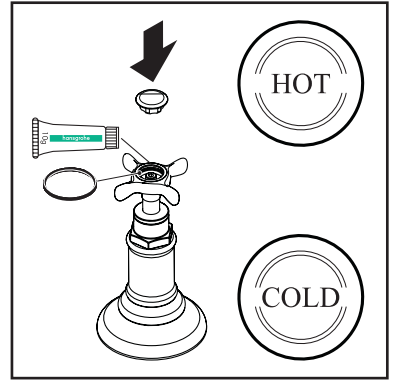
Install the new cold cartridge included with the trim kit.



All models:

Lubricate the index cap o-rings with a small amount of the enclosed grease (1).

Install the hot and cold index caps on the handles.

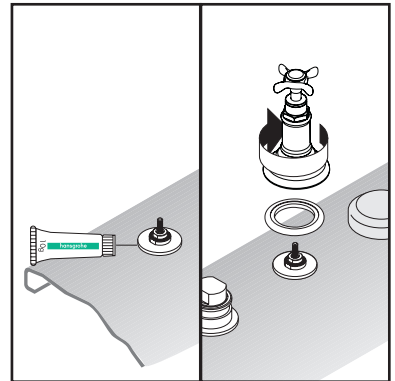


Lightly lubricate the threads on the mounting plates.

Install the sealing rings.

Push the handles over the valve stems.

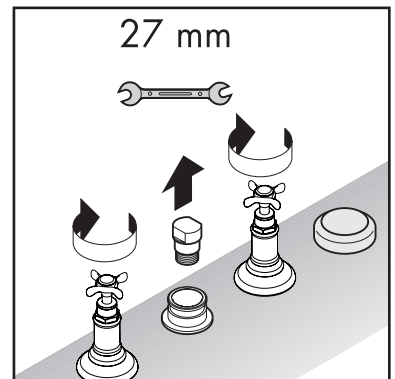
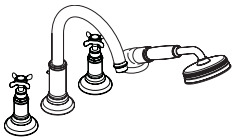
Affix the handles to the valves by rotating the flanges clockwise.



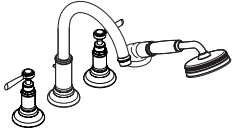
Turn the valves to the off position.

16544 only:

Rotate both handles clockwise.

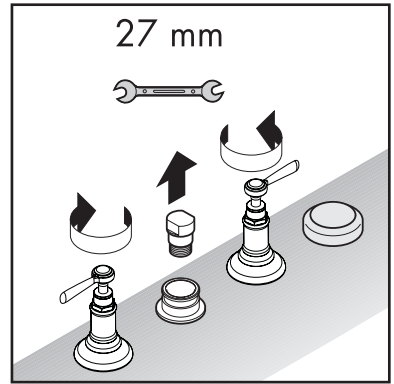


16550 only:



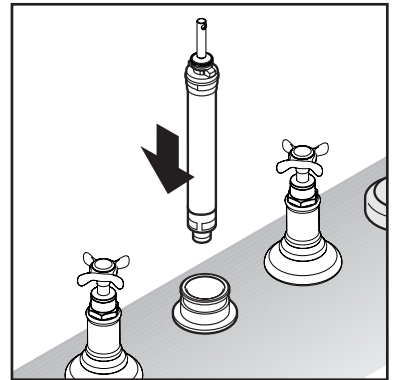
Rotate the hot handle clockwise, the cold handle counter-clockwise.

Remove the spout tee plug using a 27 mm wrench.



All models:

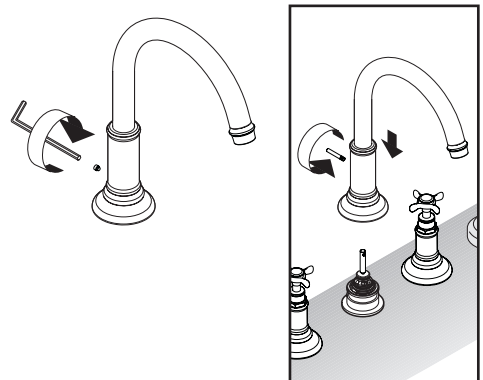
Push the diverter firmly into the spout tee.



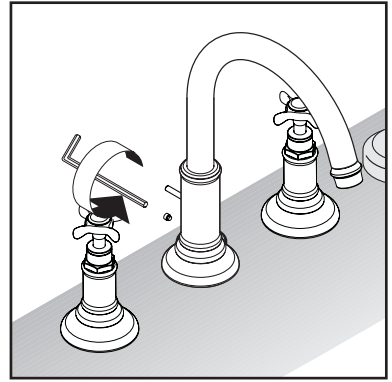
Use a 3 mm Allen wrench to loosen the spout screw.

Push the spout over the diverter.

Install the diverter knob.



Tighten the spout set screw using a 3 mm Allen wrench.



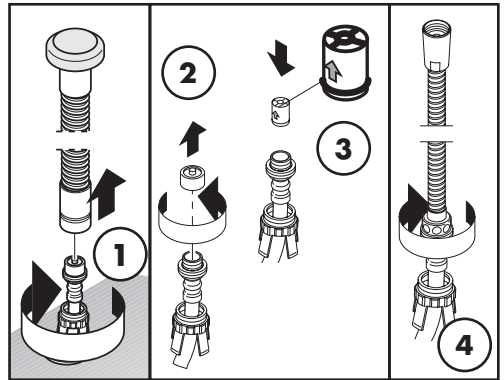
Pull the Secuflex hose up and away from the handshower holder base.

Disconnect the Secuflex hose from the high pressure hose by unscrewing the white plastic hose nut (1).

Remove the brass plug from the high pressure hose (2).

Install the check valve in the high pressure hose (3). The arrow on the check valve must point in the direction of the water flow.

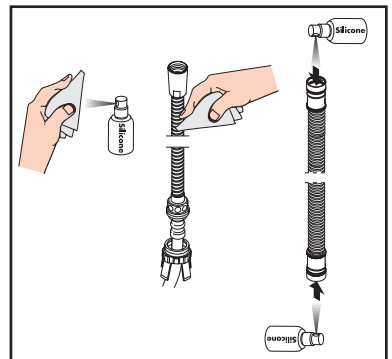
Connect the handshower hose to the high pressure hose. (4).



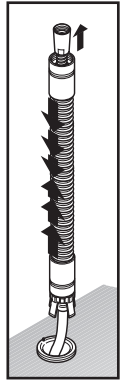
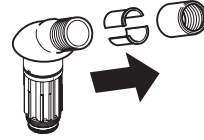
Spray a soft cloth with silicone lubricant.

Wipe the handshower hose with the cloth.

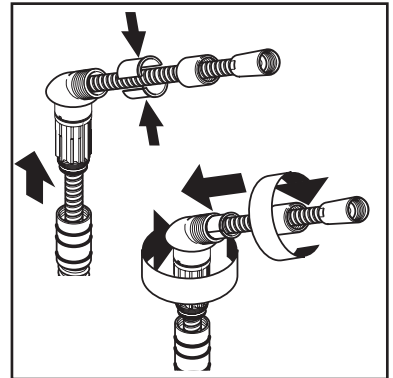
Spray both ends of the Secuflex hose.



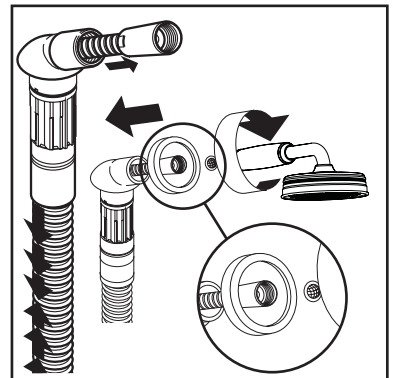
Remove the nut and insert from the handshower holder.
Push the Secuflex hose over the handshower hose.
Tighten the white plastic hose nut.
Compress the Secuflex hose and grasp the end of the handshower hose.



Push the handshower hose through the handshower holder.
Snap the two halves of the hose insert around the hose.
Push the nut over the end of the handshower hose.
Screw it into the handshower holder.



Push the handshower holder escutcheon over the handshower holder.
Install the handshower on the hose.



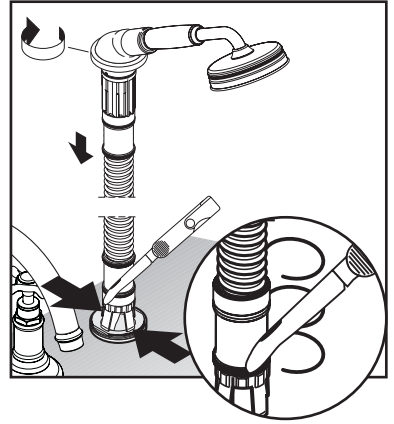
Cut the o-rings on the end of the Secuflex hose.

Feed the Secuflex hose back through the base and under the mounting surface.

Position the handshower holder on the base.

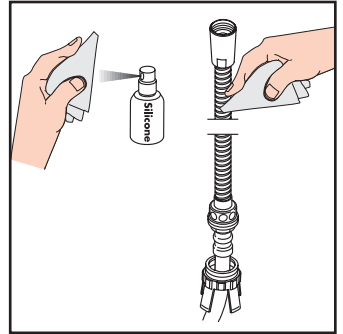
The positioning pin on the base should go into the hole on the handshower holder.

Secure the holder to the base by rotating the escutcheon clockwise.

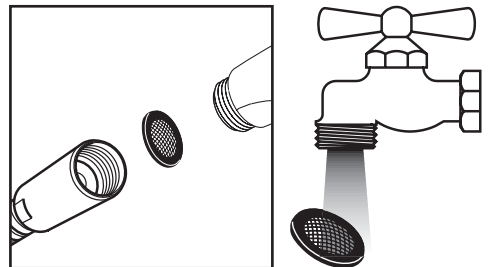


User Instructions

If it becomes difficult to pull the handshower out, lubricate the hose with silicone lubricant.



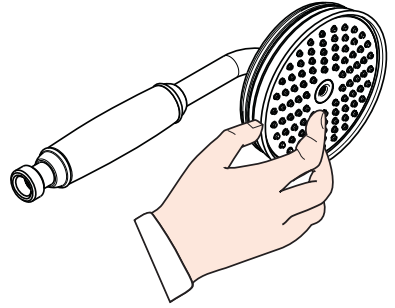
If the flow of water from the handshower decreases over time, remove and clean the screen washer.



Scale Removal

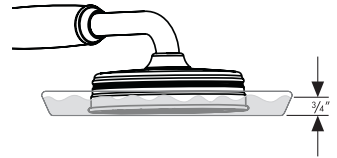
The handshower incorporates the Quiclean™ cleaning system.

Turn the water on lightly and rub across the spray channels to dislodge scale deposits.

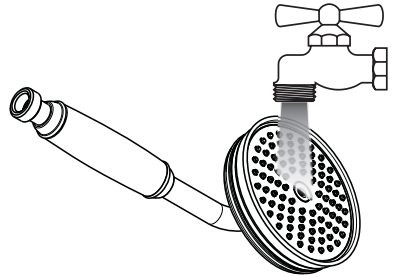


To remove scale deposits from the spray face, pour about $\frac{3}{4}$ " of a commercial scale remover such as Lime-Away or CLR into a shallow dish – dilute if directed to do so by the label instructions.

Soak the spray face in the solution for the amount of time specified on the label.

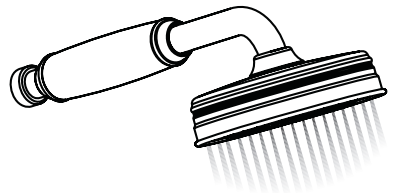


Rinse the handshower with clear water.

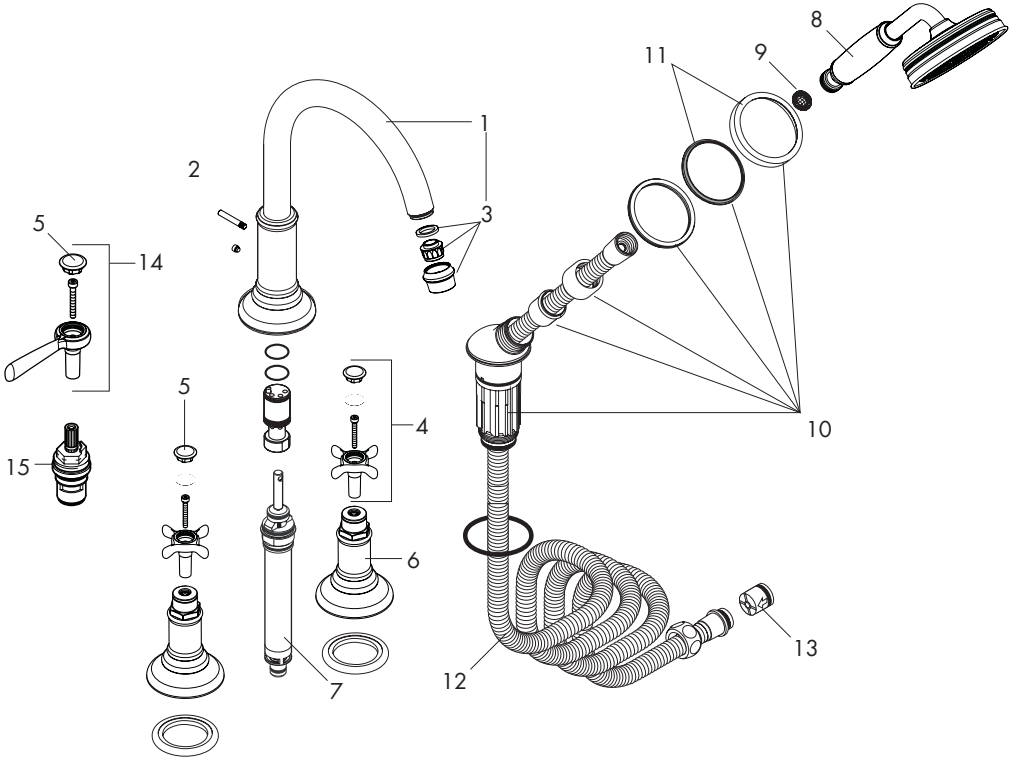


Install the handshower.

Turn on the water and flush the handshower for at least one minute.



Replacement Parts



1	spout	98606XX0
2	diverter knob	98607XX0
3	aerator	98575XX0
4	cross handle	16291XX0
5	screw cover (set)	97987000
6	flange	98605XX0
7	diverter	97146000
8	handshower	16320XX1
9	screen washer	94246000
10	handshower holder	96433XX0
11	escutcheon	96237XX0
12	hose	94148000
13	check valve	94074000
14	lever handle	16691XX0
15	cold cartridge	94008000*

XX = colors
 00 chrome
 82 brushed nickel
 83 polished nickel

*included with lever handle version only

Cleaning Recommendation for Hansgrohe Products

Modern lavatory faucets, kitchen faucets, and showers consist of very different materials to comply with the needs of the market with regard to design and functionality. To avoid damage and returns, it is necessary to consider certain criteria when cleaning.

Cleaning Materials for Faucets and Showers

Acids are a necessary ingredient of cleaning materials for removing lime, however please pay attention to the following points when cleaning faucets and showers:

- Only use cleaning materials which are explicitly intended for this type of application.
- Never use cleaning materials which contain hydrochloric, formic, phosphoric, or acetic acid, as they cause considerable damage.
- Never mix one cleaning material with another.
- Never use cleaning materials or appliances with an abrasive effect, such as unsuitable cleaning powders, sponge pads, or micro fiber cloths.

Cleaning Instructions for Faucets and Showers

Please follow the cleaning material manufacturer's instructions. In addition, pay attention to the following points:

- Clean the faucets and showers as and when required
- Use the amount of cleaning product and the amount of time recommended by the manufacturer. Do not leave the cleaner on the fixture longer than necessary.
- Regular cleaning can prevent calcification.
- When using spray cleaners, spray first onto a soft cloth or sponge. Never spray directly onto the faucet as droplets can enter openings and gaps and cause damage.
- After cleaning, rinse thoroughly with clean water to remove any cleaner residue.

Important

Residues of liquid soaps, shampoos, and shower foams can also cause damage, so rinse with clean water after using.

Please note: if the surface is already damaged, the effect of cleaning materials will cause further damage.

Components with damaged surfaces must be replaced or injury could result.

Damage caused by improper treatment is not covered under the warranty.

Limited Lifetime Consumer Warranty

This product has been manufactured and tested to the highest quality standards by Hansgrohe, Inc. ("Hansgrohe"). This warranty is limited to Hansgrohe products which are purchased by a consumer in the United States after March 1, 1996, and installed in either the United States or Canada.

WHO IS COVERED BY THE WARRANTY

This warranty extends to the original consumer purchaser only. This warranty is non-transferable.

WHAT IS COVERED BY THE WARRANTY

This warranty covers only your Hansgrohe manufactured product. Hansgrohe warrants this product against defects in material or workmanship as follows: Hansgrohe will repair at no charge for parts only or, at its option, replace any product or part of the product that proves defective because of improper workmanship and/or material, under normal installation, use, service and maintenance. If Hansgrohe is unable to provide a replacement and repair is not practical or cannot be timely made, Hansgrohe may elect to refund the purchase price in exchange for the return of the product.

LENGTH OF WARRANTY

Replacement or repaired parts of products will be covered for the term of this warranty as stated in the following two sentences. If you are a consumer who purchased the product for use primarily for personal, family, or household purposes, this warranty extends for as long as you own the product and the home in which the product is originally installed. If you purchased the product for use primarily for any other purpose, including, without limitation, a commercial purpose, this warranty extends only (i) for 1 year, with respect to Hansgrohe and Commercial products, and (ii) for 5 years, with respect to AXOR products.

THIS WARRANTY DOES NOT COVER, AND HANSGROHE WILL NOT PAY FOR:

- A. Conditions, malfunctions or damage not resulting from defects in material or workmanship.
- B. Conditions, malfunctions or damage resulting from (1) normal wear and tear, improper installation, improper maintenance, misuse, abuse, negligence, accident or alteration, or (2) the use of abrasive or caustic cleaning agents or "no-rinse" cleaning products, or the use of the product in any manner contrary to the product instructions. (3) Conditions in the home such as excessive water pressure or corrosion.
- C. Labor or other expenses for the disconnection, deinstallation, or return of the product for warranty service, or for installation or reinstallation of the product (including but not limited to proper packaging and shipping costs), or for installation or reinstallation of the product.
- D. Accessories, connected materials and products, or related products not manufactured by Hansgrohe.

TO OBTAIN WARRANTY PARTS OR INFORMATION

Contact your Hansgrohe retailer, or contact Technical Service at:

Hansgrohe Inc.
1492 Bluegrass Lakes Parkway
Alpharetta GA 30004
Toll-free (800) 334-0455.

In requesting warranty service, you will need to provide

- 1. The sales receipt or other evidence of the date and place of purchase.
- 2. A description of the problem.
- 3. Delivery of the product or the defective part, postage prepaid and carefully packed and insured, to Hansgrohe Inc. 1492 Bluegrass Lakes Parkway, Alpharetta, Georgia 30004, Attention: Technical Service, if required by Hansgrohe.

When warranty service is completed, any repaired or replacement product or part will be returned to you postage prepaid.

EXCLUSIONS AND LIMITATIONS

REPAIR OR REPLACEMENT (OR, IN LIMITED CIRCUMSTANCES, REFUND OF THE PURCHASE PRICE) AS PROVIDED UNDER THIS WARRANTY IS THE EXCLUSIVE REMEDY OF THE PURCHASER. HANSGROHE NEITHER ASSUMES NOR AUTHORIZES ANY PERSON TO CREATE FOR IT ANY OBLIGATION OR LIABILITY IN CONNECTION WITH THIS PRODUCT.

HANSGROHE SHALL NOT BE LIABLE TO PURCHASER OR ANY PERSON FOR ANY INCIDENTAL, SPECIAL, OR CONSEQUENTIAL DAMAGES, ARISING OUT OF BREACH OF THIS WARRANTY OR ANY IMPLIED WARRANTY (INCLUDING MERCHANTABILITY).

Some States do not allow the exclusion or limitation of incidental or consequential damages, so the above limitation or exclusion may not apply to you. This warranty gives you specific legal rights, and you may have other rights which vary from State to State. You may be required by law to give us a reasonable opportunity to correct or cure any failure to comply before you can bring any action in court against us under the Magnuson-Moss Warranty Act.

PRODUCT INSTRUCTIONS AND QUESTIONS

Upon purchase or prior to installation, please carefully inspect your Hansgrohe product for any damage or visible defect. Prior to installing, always carefully study the enclosed instructions on the proper installation and the care and maintenance of the product. If you have questions at any time about the use, installation, or performance of your Hansgrohe product, or this warranty, please call or write to us or call us toll-free at 800 334 0455.

hansgrohe

Hansgrohe, Inc. • 1490 Bluegrass Lakes Parkway • Alpharetta, GA 30004
Tel. 770-360-9880 • Fax 770-360-9887

www.hansgrohe-usa.com