

**AXOR Montreux**  
**Axor Montreux Wall-Mounted Tub Filler with Cross Handles**  
 Finishes : **chrome**    Part no. : **16540001**



## Description

### Features

- Flow: 5.3 GPM
- 90° ceramic valves
- Integrated double backflow prevention
- Diverter for handshower

### Comprised of

- Axor Montreux 1-Jet Handshower (#16320USA)
- Metal Showerhose, 50" (#28112XXX)

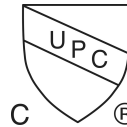
## Item details

List Price \$ 1,600.00

## Technology



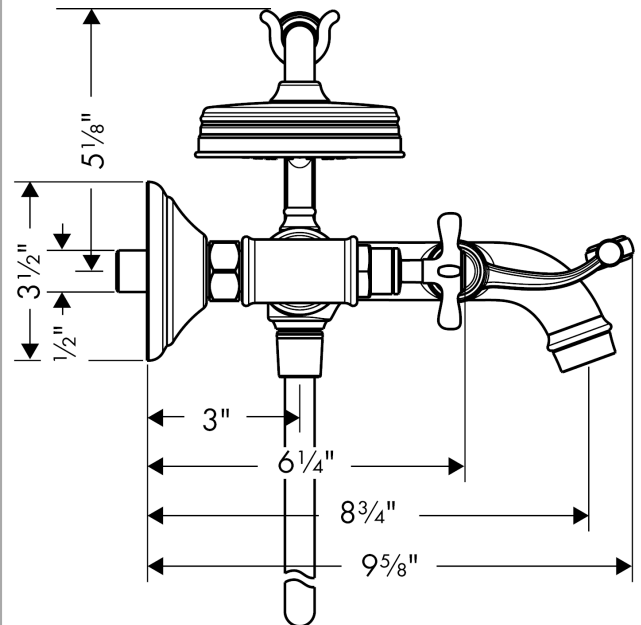
## Compliance



## Product image



## Scale drawing





## AXOR Montreux

### Axor Montreux Wall-Mounted Tub Filler with Cross Handles

Finishes : **chrome** Part no. : **16540001**



#### Spare parts list

Year of production: >06/06

Pos.	Description	Part no.	Price	PU
1	handle	16597000	-	1
2	set of screw covers, cold / hot water / neutral	97987000	-	1
3	O-ring 16x2	98133000	-	1
4	sleeve	97993000	-	1
5	shut off unit	94149000	-	1
6	aerator M22x1 (25 l/min)	98575000	-	1
7	sliding gear lever	98594000	-	1
8	set of nuts	92852000	-	1
9	hollow set screw M4x6	97767000	-	1
10	selector	98591000	-	1
11	shower base	98590000	-	1
12	set of non return valves DW 15	94074000	-	1
13	shower hose 1,25 m	28112000	-	1
14	filter packing	94246000	-	1
15	handshower	16320001	-	1
16	escutcheon	98595000	-	1
17	set of S-unions	98592001	-	1
18	noise reduction	96429000	-	1