

**AXOR Urquiola**  
**Axor Urquiola Freestanding Tub**  
Finishes : **alpine white** Part no. : **11440000**



## Description

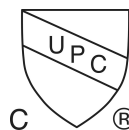
### Required accessories

- Tub Drain Adaptor (#04313USA)

## Item details

List Price \$ 10,710.00

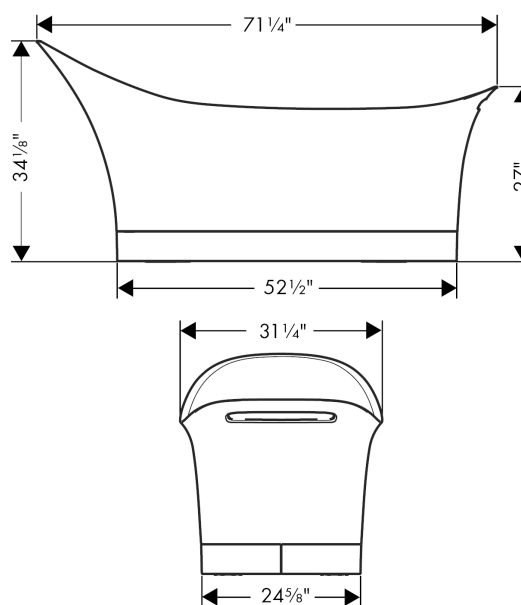
## Compliance



## Product image



## Scale drawing

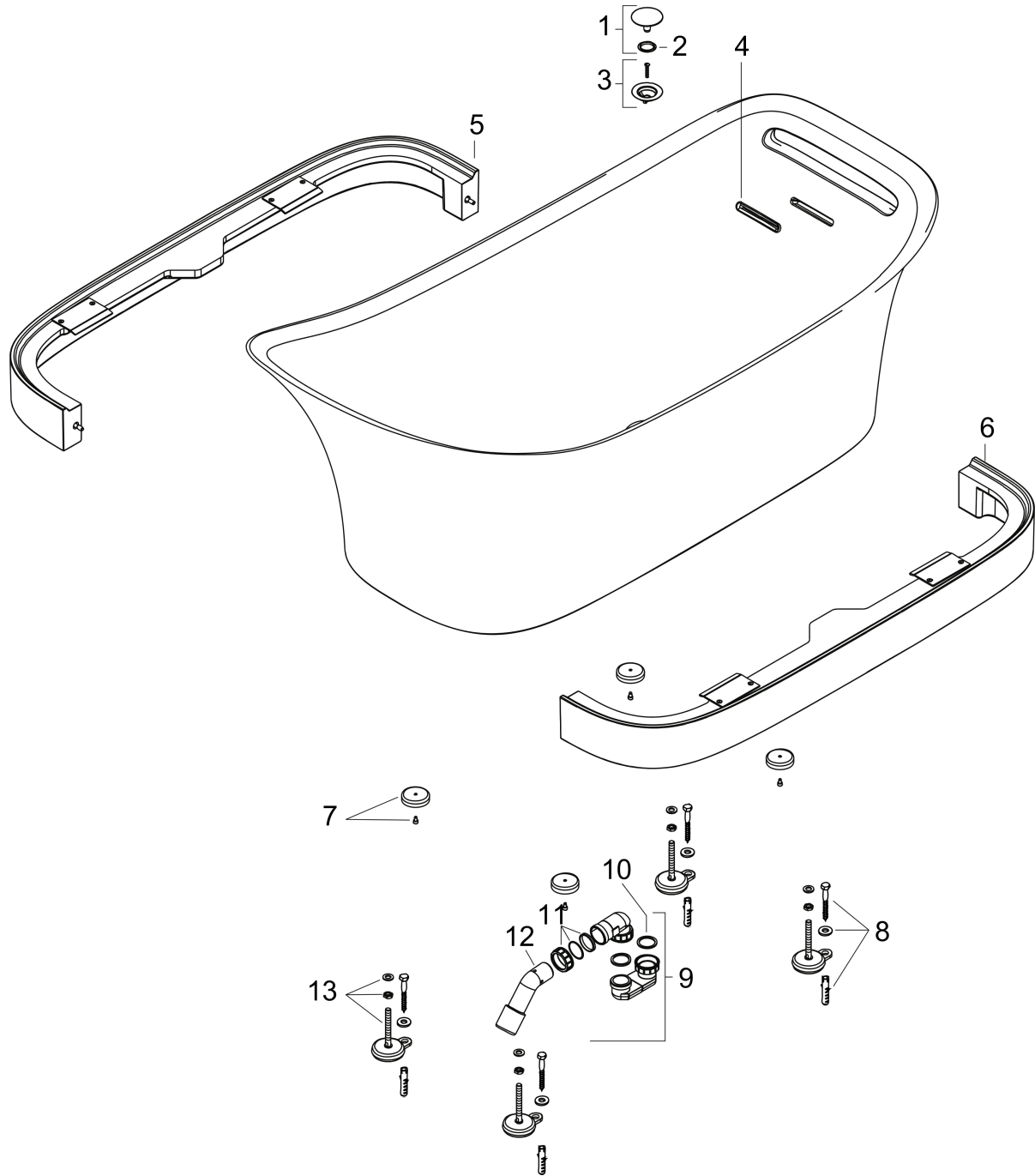


**AXOR Urquiola**  
**Axor Urquiola Freestanding Tub**  
Finishes : **alpine white** Part no. : **11440000**



## Exploded drawing

Year of production: >08/09



## AXOR Urquiola

### Axor Urquiola Freestanding Tub

Finishes : **alpine white** Part no. : **11440000**



#### Spare parts list

Year of production: >08/09

Pos.	Description	Part no.	Price	PU
1	plug	95487000	-	1
2	seal	95426000	-	1
3	pop up waste	95427000	-	1
4	cover	95488000	-	1
5	left skirt	95490000	-	1
6	right skirt	95489000	-	1
7	fixation set for steel skirt	29966000	-	1
8	mounting kit	95430000	-	1
9	trap cpl.	56373000	-	1
10	flat seal	98075000	-	1
11	sleeve nut	96332000	-	1
12	bent outlet	96221000	-	1
13	shower tray feet	95491000	-	1
a	anti-slip stickers	95434000	-	1
b	hexagon socket screw M6x10	92847000	-	1