

**AXOR Starck**  
**Axor Starck Freestanding 2-Handle Tub Filler Trim**  
 Finishes : **chrome** Part no. : **10458001**



### Description

#### Features

- Aerated spray
- Flow: 5.8 GPM
- 90° ceramic valves
- Solid brass
- Integrated double backflow prevention
- Tub spout with diverter

#### Comprised of

- Axor Starck 2-Jet Handshower (#28532USA)
- Techniflex Hose with Cylindrical Nut, 49" (#28282XXX)

#### Required accessories

- Rough, Axor Starck Freestanding Tub Filler (#10452USA)

#### Optional accessories

- In-line Pressure Balance Valve (#13418USA)
- Axor Freestanding Tub Filler Extension Kit (#97686XXX)

### Item details

List Price \$ 2,290.00

### Technology



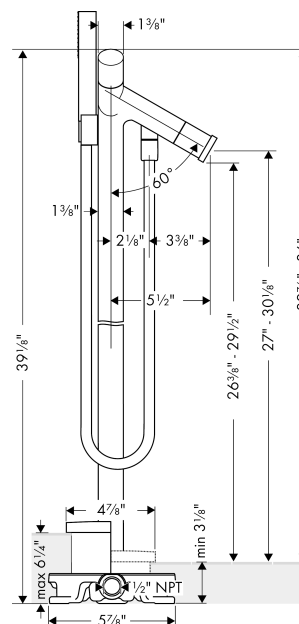
### Compliance



### Product image



### Scale drawing

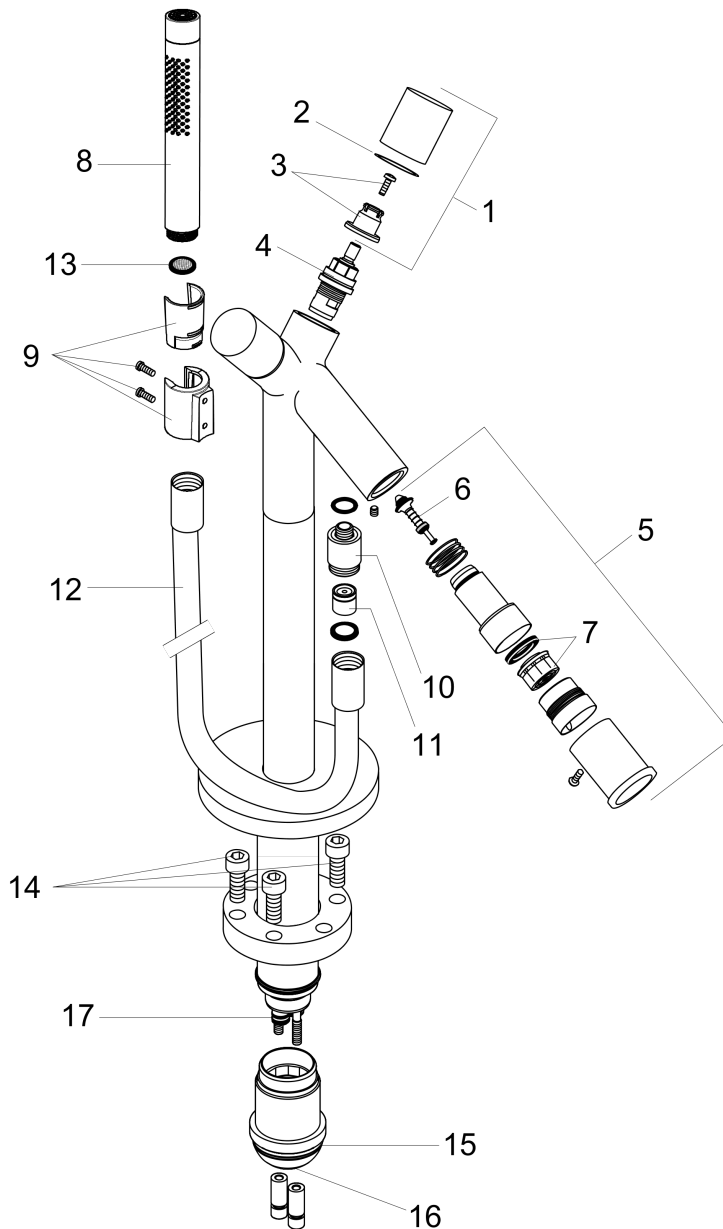


**AXOR Starck**  
**Axor Starck Freestanding 2-Handle Tub Filler Trim**  
Finishes : **chrome**    Part no. : **10458001**



## Exploded drawing

Year of production: >07/99



**AXOR Starck**  
**Axor Starck Freestanding 2-Handle Tub Filler Trim**  
 Finishes : **chrome** Part no. : **10458001**



## Spare parts list

Year of production: >07/99

Pos.	Description	Part no.	Price	PU
1	handle	96298000	-	1
2	set of color-rings cold / hot water	96299000	-	1
3	handle fixing set	94184000	-	1
4	shut off unit	94149000	-	1
5	selector assy	96294000	-	1
6	selector	96297000	-	1
7	aerator M30x1 (25 l/min)	96296000	-	1
8	handshower	28531001	-	1
9	shower holder, assy	96295000	-	1
10	connecting thread	97527000	-	1
11	set of non return valves DW 15	94074000	-	1
12	shower hose 1,25 m	28282000	-	1
13	filter packing	94246000	-	1
14	hexagon socket screw M10x35	97670000	-	1
15	O-ring 44x2,5	98162000	-	1
16	O-ring 30x2,5	98151000	-	1
17	O-ring 9x1,5	98117000	-	1
a	extension for diverter 60 mm	10981000	-	1
b	extension set 60 mm	97686000	-	1