

AXOR Starck
Axor Starck Freestanding Tub Filler Trim
 Finishes : **chrome** Part no. : **10456001**



Description

Features

- Flow: 5.8 GPM
- Ceramic cartridge
- Solid brass
- Integrated double backflow prevention
- Tub spout with diverter

Comprised of

- Axor Starck 2-Jet Handshower (#28532USA)
- Techniflex Hose with Cylindrical Nut, 49" (#28282XXX)

Required accessories

- Rough, Axor Starck Freestanding Tub Filler (#10452USA)

Optional accessories

- In-line Pressure Balance Valve (#13418USA)
- Axor Freestanding Tub Filler Extension Kit (#97686XXX)

Item details

List Price \$ 2,090.00

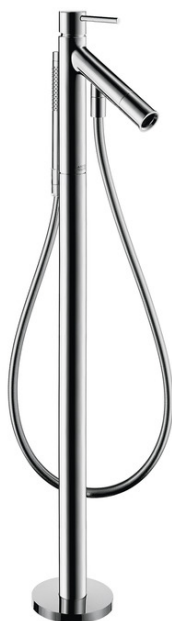
Technology



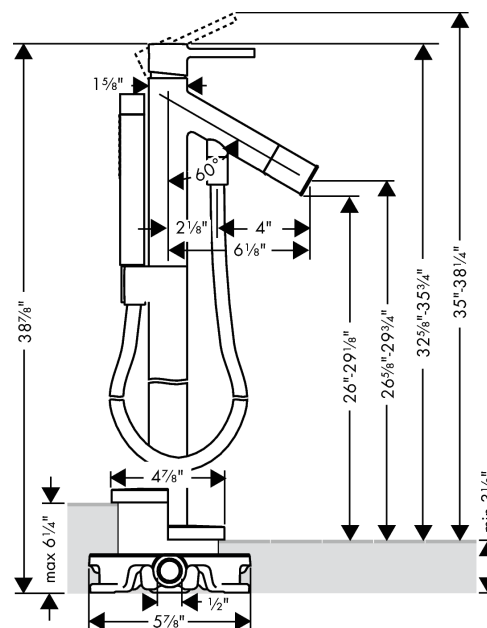
Compliance



Product image



Scale drawing

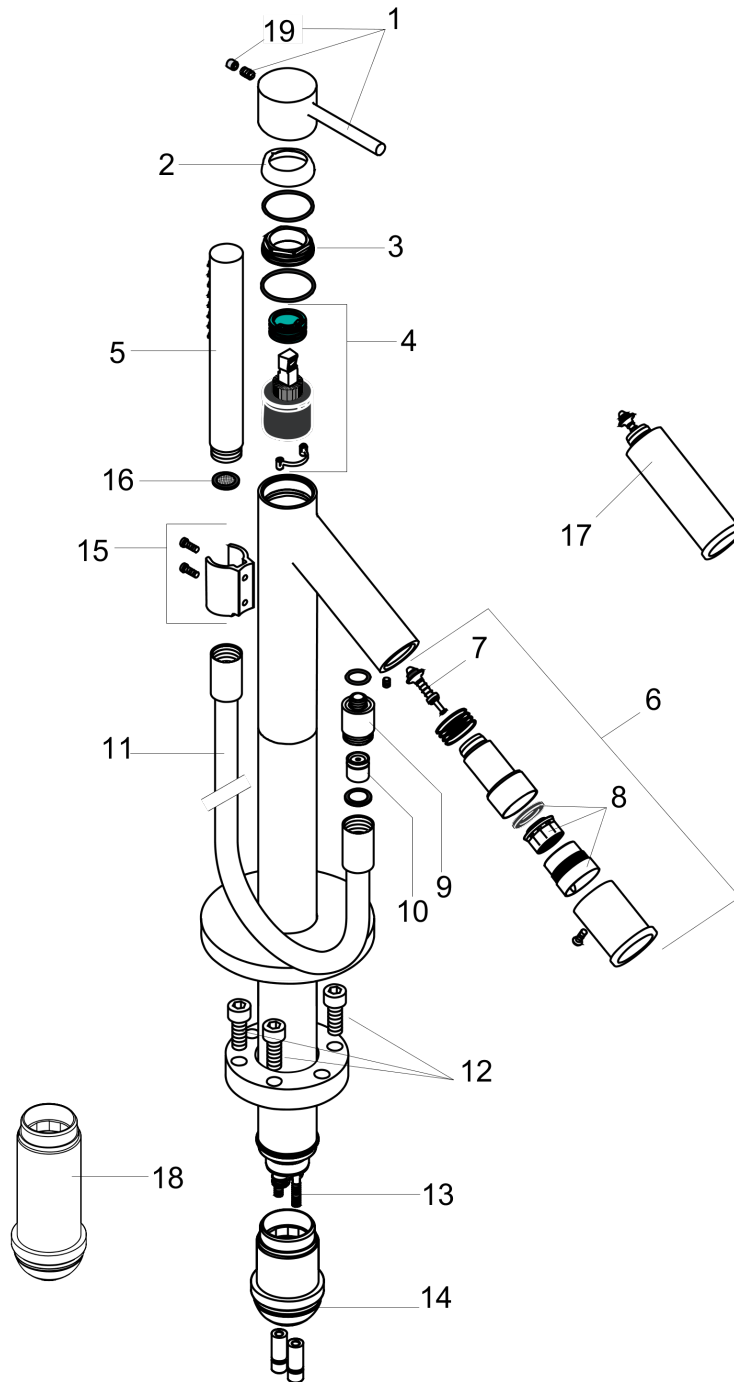


AXOR Starck
Axor Starck Freestanding Tub Filler Trim
Finishes : **chrome** Part no. : **10456001**



Exploded drawing

Year of production: >12/04



AXOR Starck
Axor Starck Freestanding Tub Filler Trim
 Finishes : **chrome** Part no. : **10456001**



Spare parts list

Year of production: >12/04

Pos.	Description	Part no.	Price	PU
1	handle	10093000	-	1
2	flange	96763000	-	1
3	nut	97209000	-	1
4	cartridge, assy	92730000	-	1
5	handshower	28531001	-	1
6	selector assy	96294000	-	1
7	selector	96297000	-	1
8	aerator M30x1 (25 l/min)	96296000	-	1
9	connecting thread	97527000	-	1
10	set of non return valves DW 15	94074000	-	1
11	shower hose 1,25 m	28282000	-	1
12	hexagon socket screw M10x35	97670000	-	1
13	O-ring 9x1,5	98117000	-	1
14	O-ring 44x2,5	98162000	-	1
15	shower holder, assy	96295000	-	1
16	filter packing	94246000	-	1
17	extension for diverter 60 mm	10981000	-	1
18	extension set 60 mm	97686000	-	1
19	screw cover	96762000	-	1
a	concealed item	10452180	-	1