

AXOR Starck
Rough, Axor Starck Freestanding Tub Filler
 Finishes : n.a. Part no. : 10452181



Description

Features

- 1/2" NPT

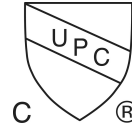
Optional accessories

- In-line Pressure Balance Valve (#13418USA)

Item details

List Price \$ 660.00

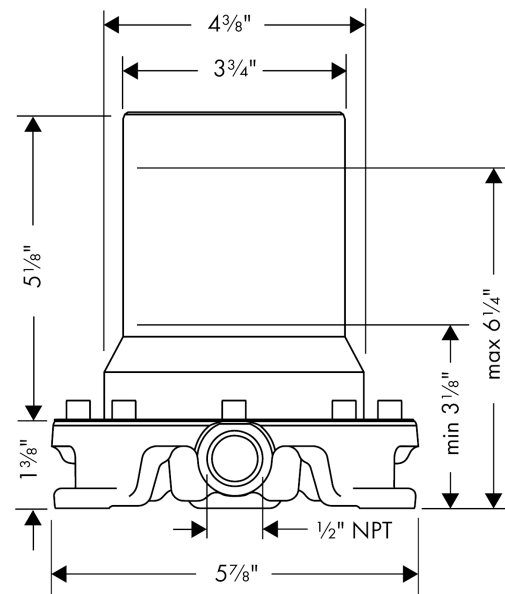
Compliance



Product image



Scale drawing

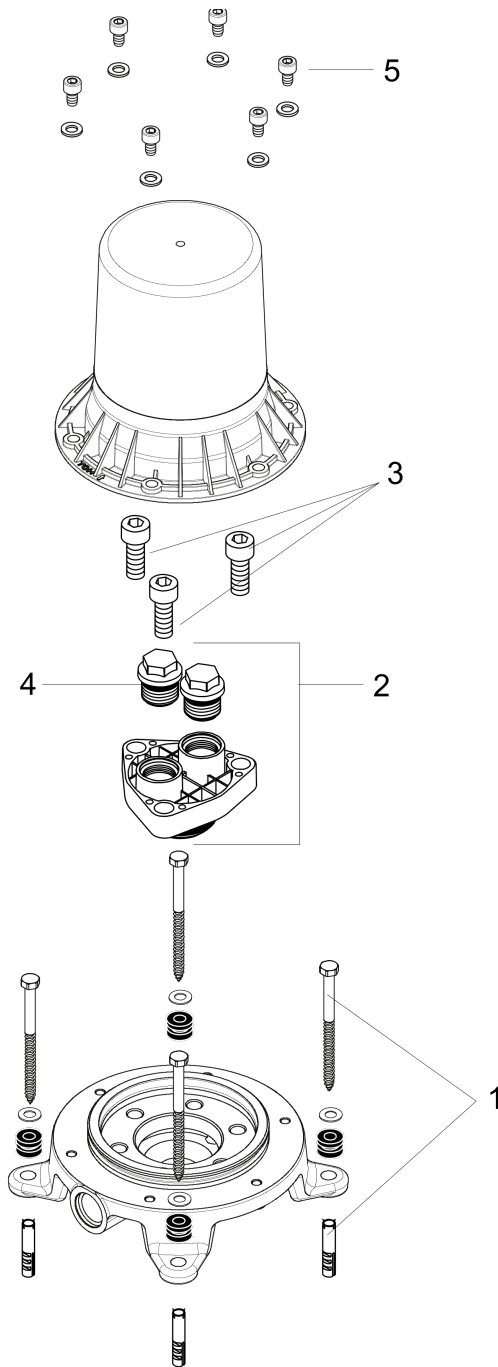


AXOR Starck
Rough, Axor Starck Freestanding Tub Filler
Finishes : n.a. Part no. : 10452181



Exploded drawing

Year of production: >12/08



AXOR Starck
Rough, Axor Starck Freestanding Tub Filler
 Finishes : n.a. Part no. : 10452181



Spare parts list

Year of production: >12/08

Pos.	Description	Part no.	Price	PU
1	mounting kit	96260000	-	1
2	sealing set	96459000	-	1
3	hexagon socket screw M10x35	97670000	-	1
4	O-ring 15x2,5	98131000	-	1
5	hexagon socket screw M6x10	92847000	-	1