

AXOR Starck X
Axor Starck X Freestanding Tub Filler Trim
 Finishes : **chrome** Part no. : **10406001**



Description

Features

- Flow: 5.8 GPM
- Ceramic cartridge
- Solid brass
- Integrated double backflow prevention

Comprised of

- Axor Starck 2-Jet Handshower, 2.0 GPM (#04304USA)
- Techniflex Hose with Cylindrical Nut, 49" (#28282XXX)

Required accessories

- Rough, Axor Starck Freestanding Tub Filler (#10452USA)

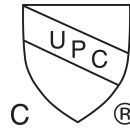
Optional accessories

- Axor Freestanding Tub Filler Extension Kit (#97686XXX)
- In-line Pressure Balance Valve (#13418USA)

Item details

List Price \$ 2,790.00

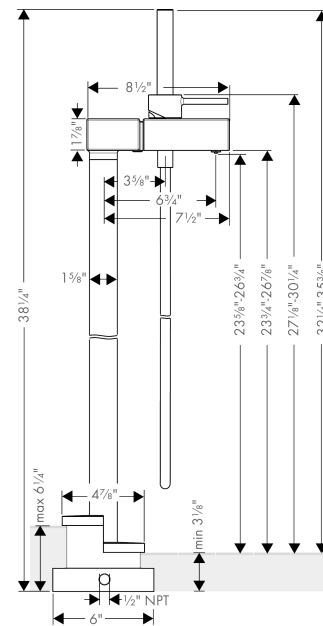
Compliance



Product image



Scale drawing

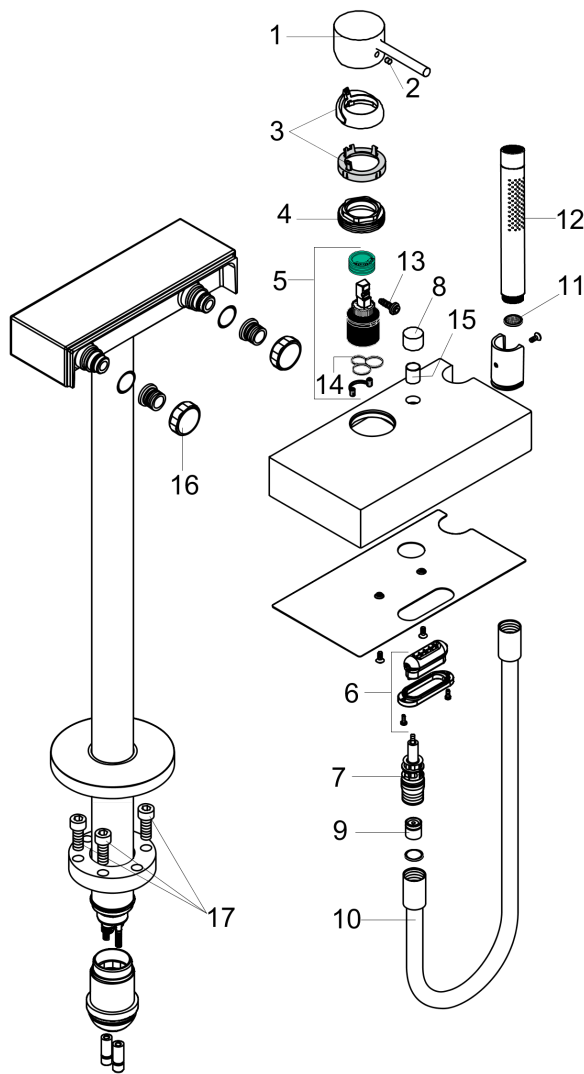


AXOR Starck X
Axor Starck X Freestanding Tub Filler Trim
Finishes : **chrome** Part no. : **10406001**



Exploded drawing

Year of production: >08/05



AXOR Starck X
Axor Starck X Freestanding Tub Filler Trim
 Finishes : **chrome** Part no. : **10406001**



Spare parts list

Year of production: >08/05

Pos.	Description	Part no.	Price	PU
1	handle	10490000	-	1
2	screw cover	96338000	-	1
3	flange (Rotating Protector)	96395000	-	1
4	nut	96461000	-	1
5	cartridge, assy	92730000	-	1
6	spout body	97467000	-	1
7	selector assy	94077000	-	1
8	diverter knob	96466000	-	1
9	set of non return valves DW 15	94074000	-	1
10	shower hose 1,25 m	28282000	-	1
11	filter packing	94246000	-	1
12	handshower	28531001	-	1
13	locking screw for handle	96059000	-	1
14	seal	95008000	-	1
15	sleeve	97738000	-	1
16	set of nuts	96157000	-	1
17	hexagon socket screw M10x35	97670000	-	1