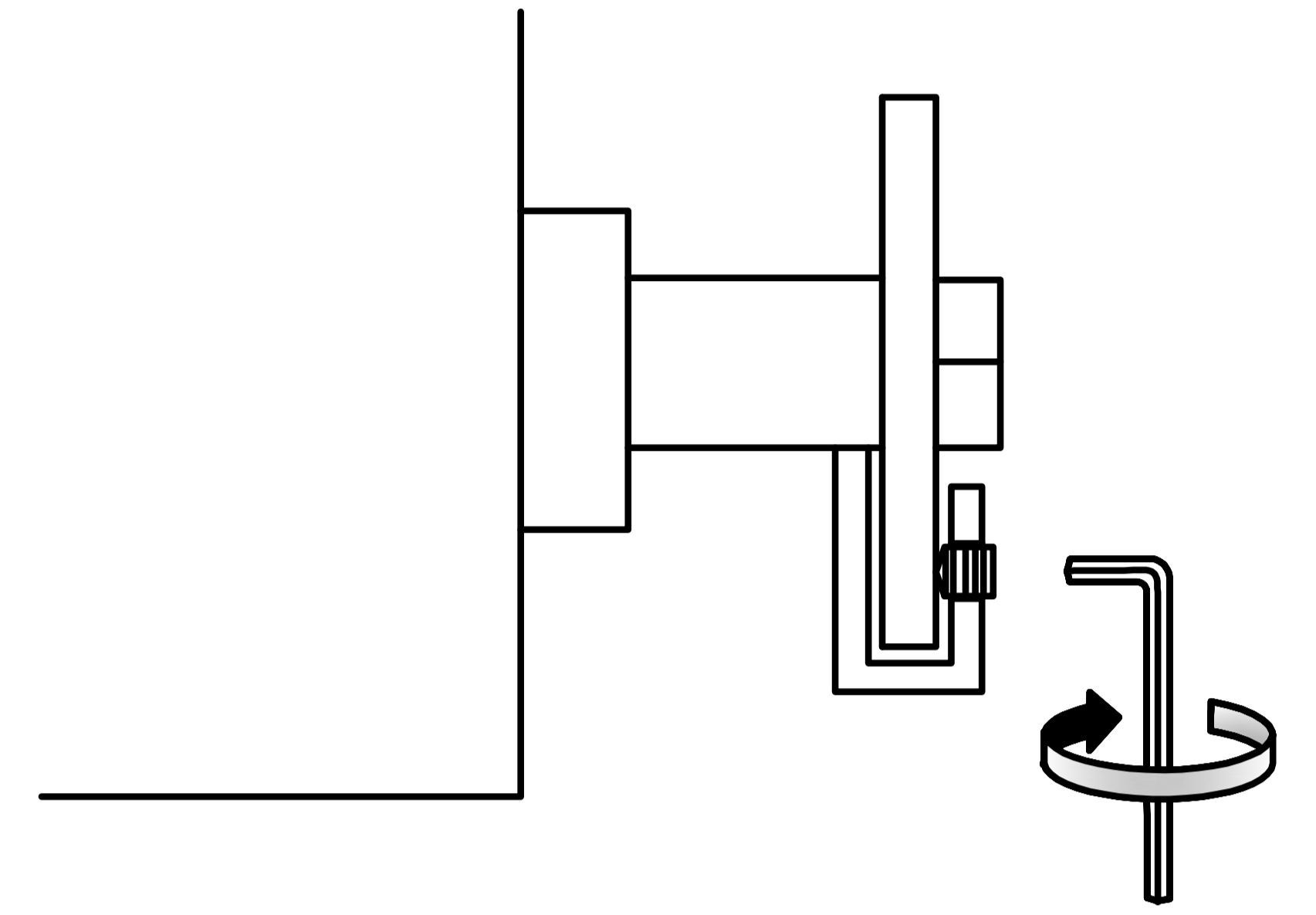
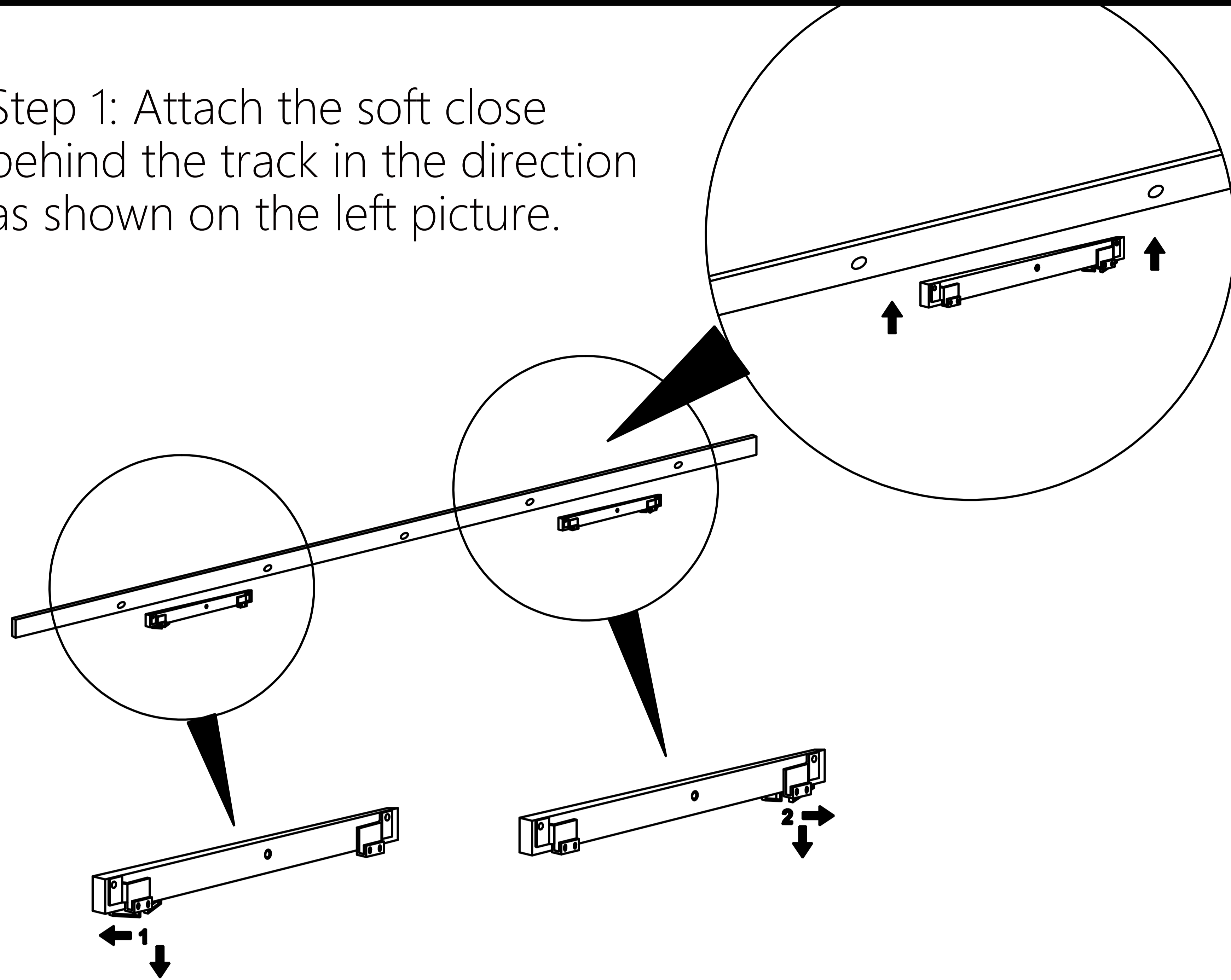


Soft Close Mechanism Installation Manual

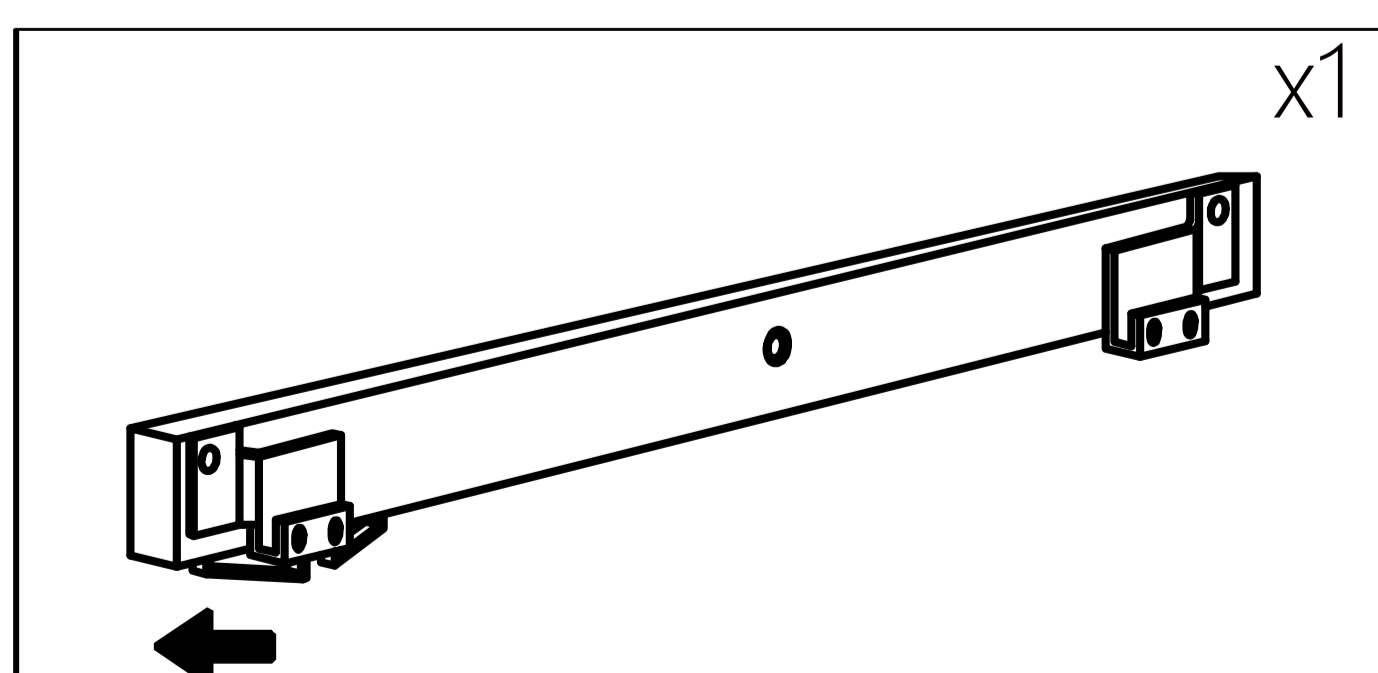
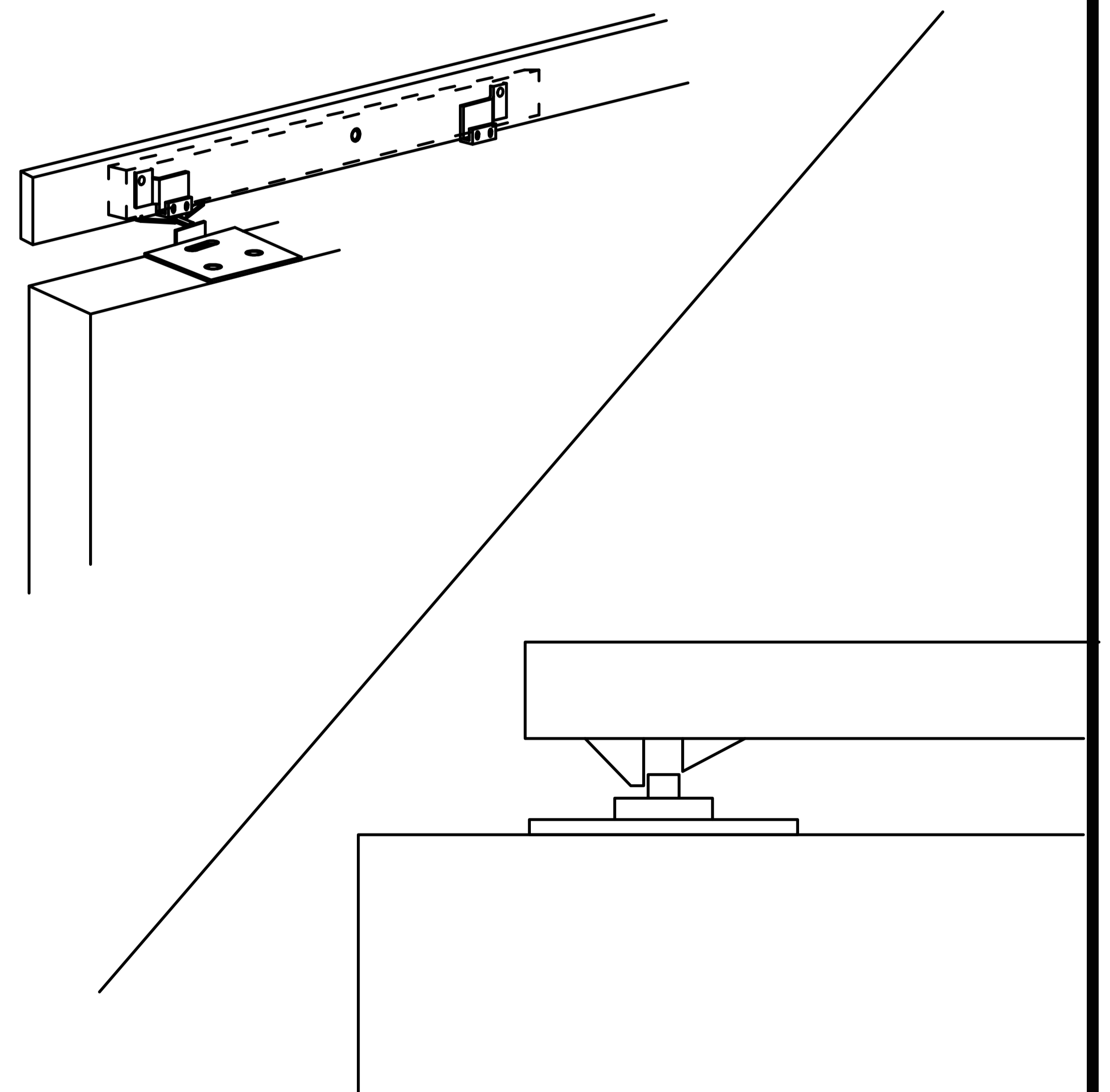
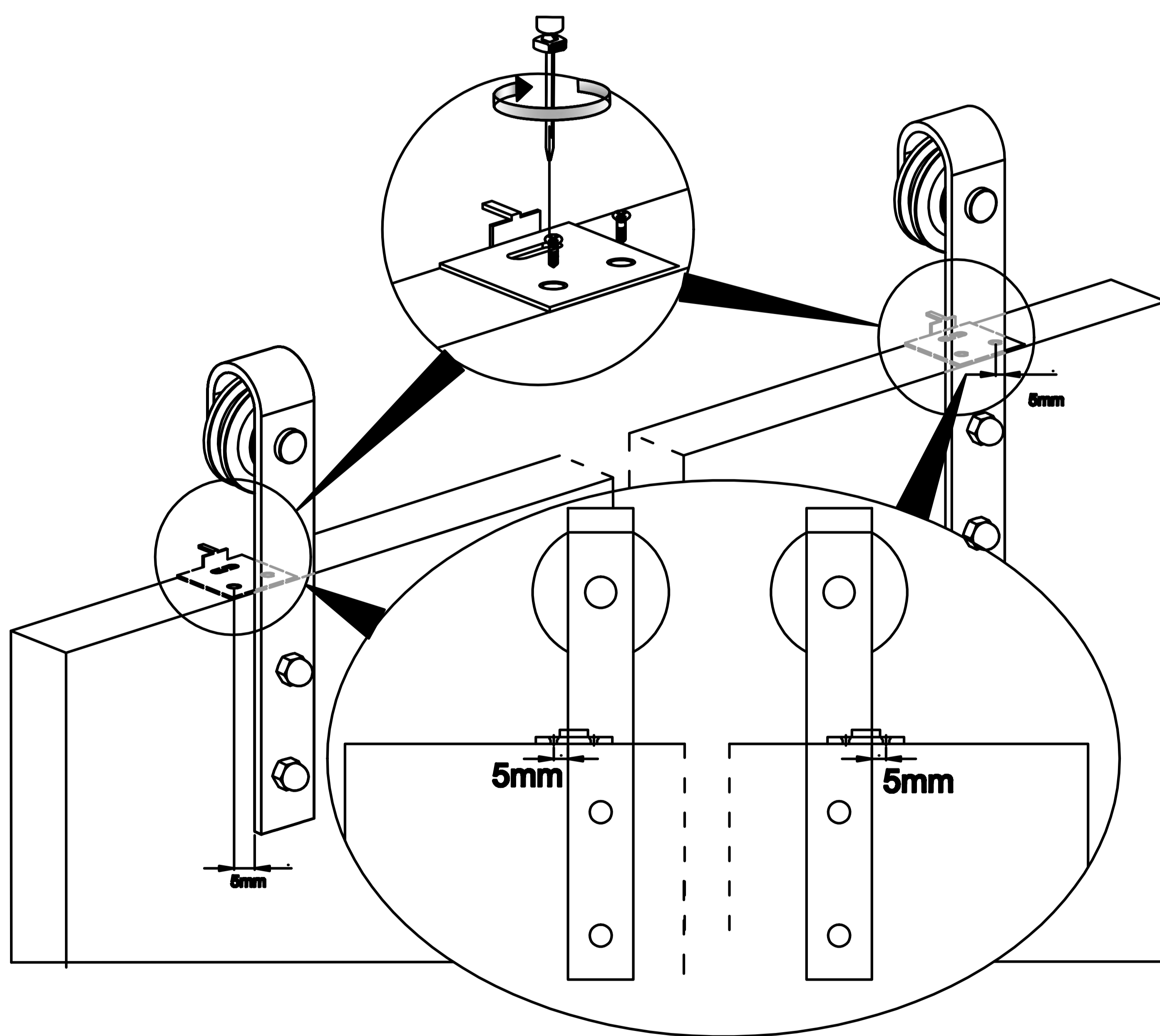
Step 1: Attach the soft close behind the track in the direction as shown on the left picture.

Step 2: Fasten the set screws on the soft close using the hex wrench.

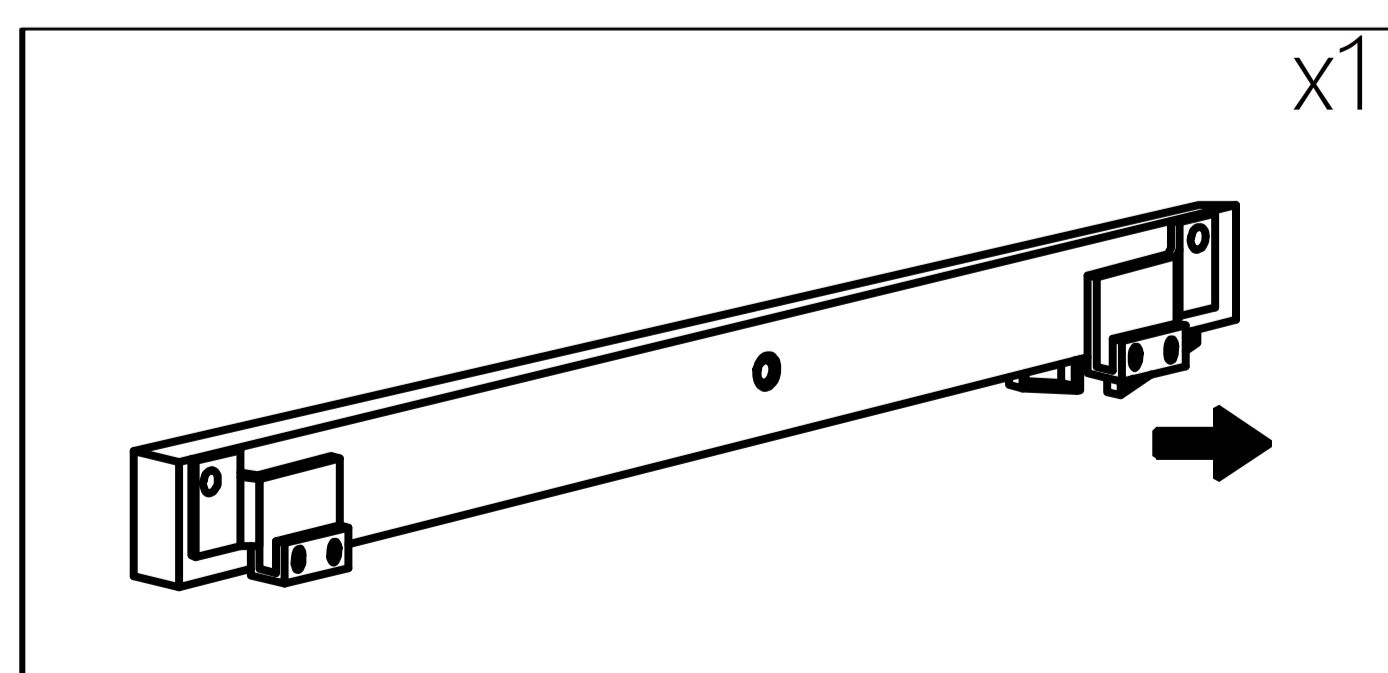


Step 3: Install the metal plate on top of the door as show in the picture below.

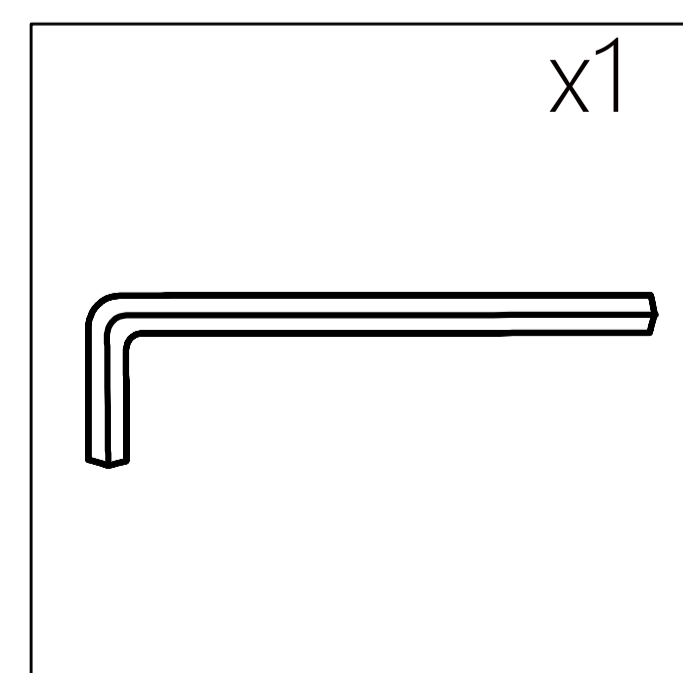
Step 4: Now that the metal plate should hit the latch of the soft close once you close the door.



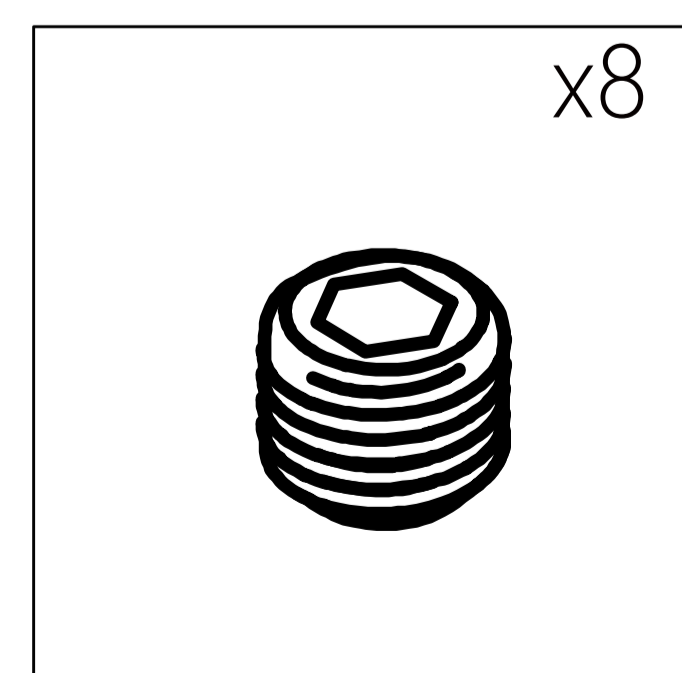
Left Side Soft Close



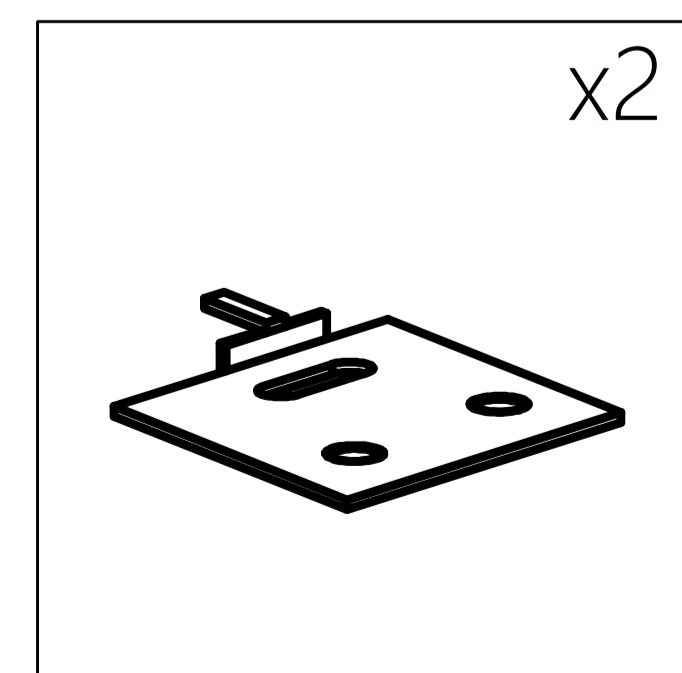
Right Side Soft Close



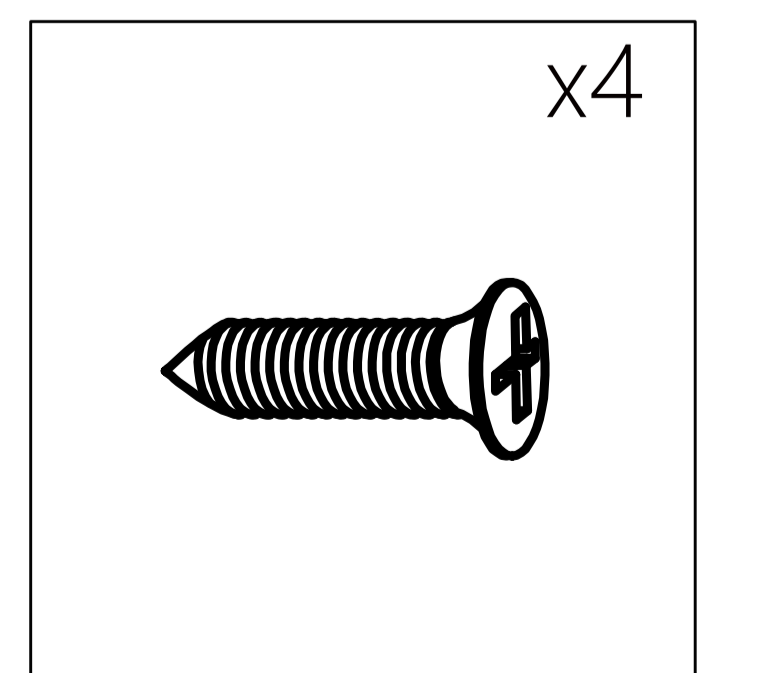
Hex Wrench



Set Screw



Metal Plate



Metal Plate Screw