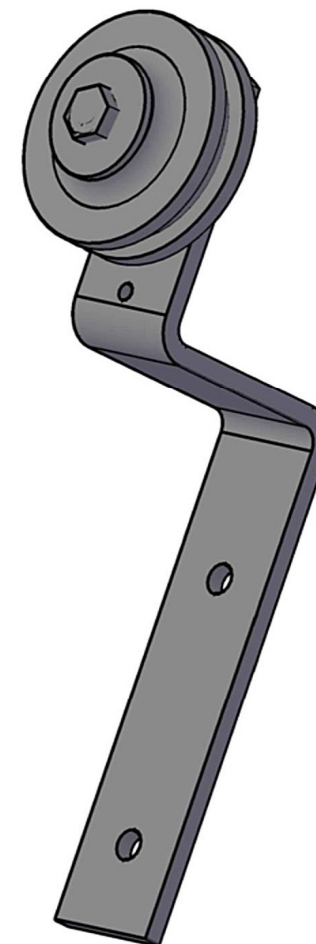
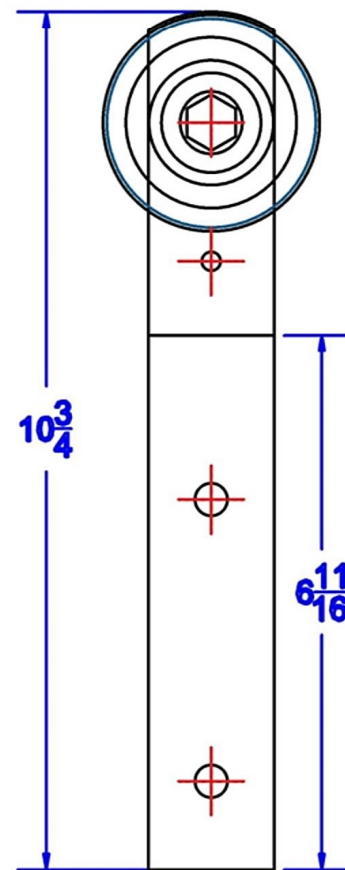
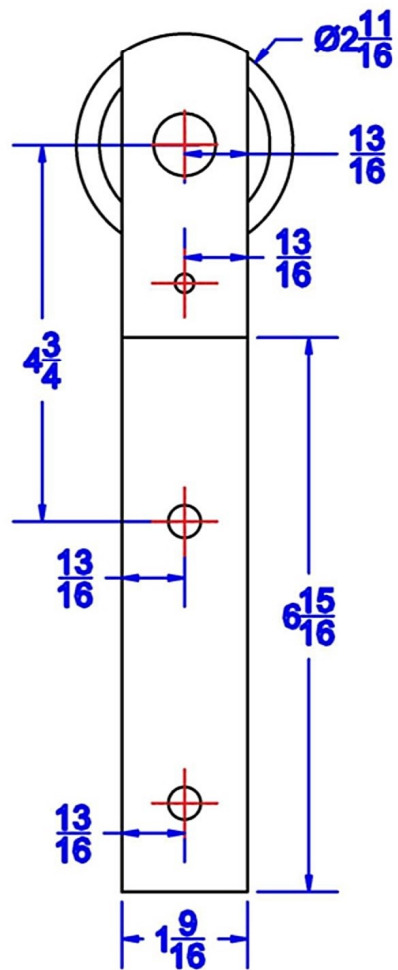
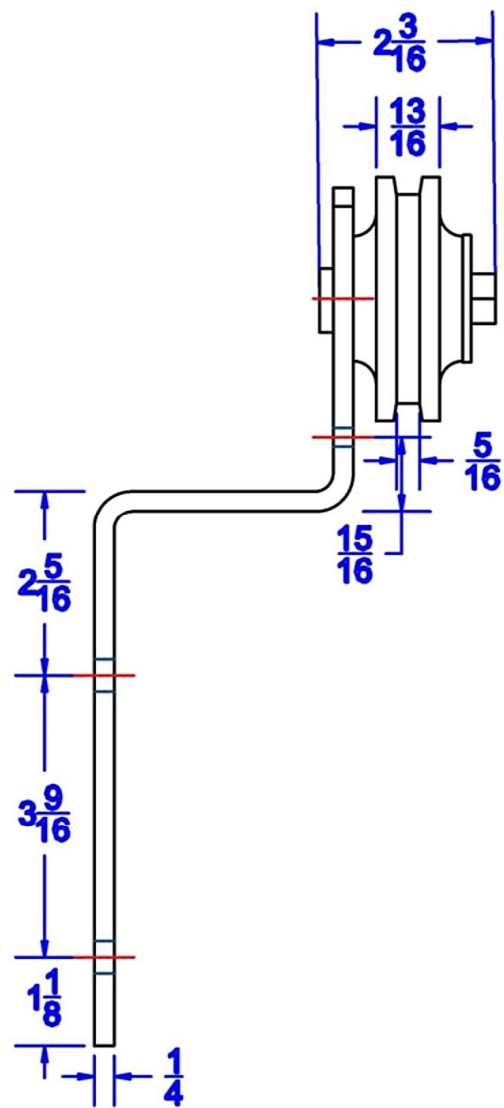


Note: Measurements are in inches.

**RUSTIC**  
ROLLING DOORS

Part: Low-Profile Hanger

Scale: 1:1

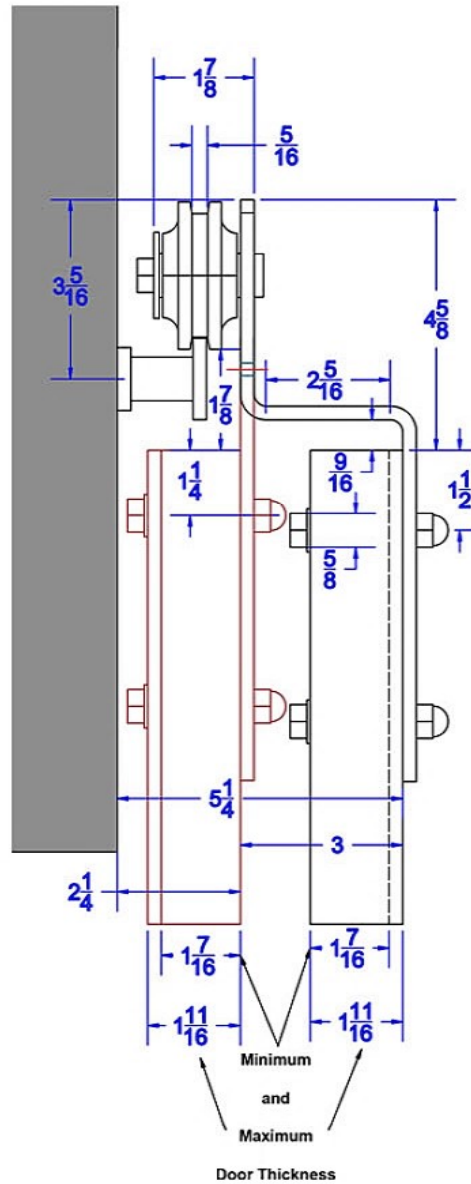


Note: Measurements are in inches.

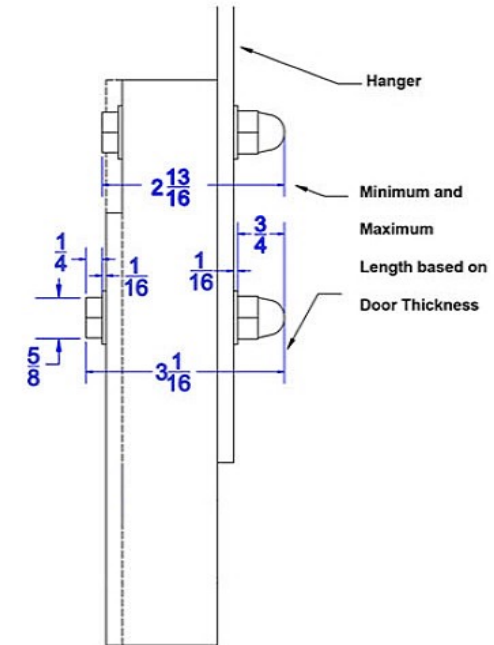
**RUSTIC**  
ROLLING DOORS

Part: Low-Profile Single-Track Bypass Hanger

Scale: 1:1



Length of the Bolts, Washers, and Acron Nuts  
(when in place)

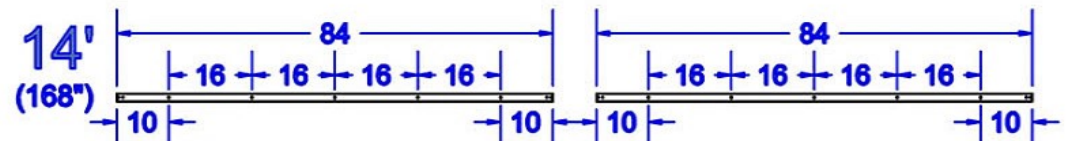
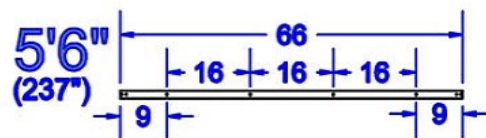
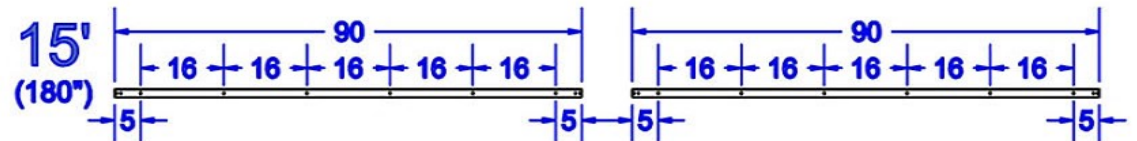
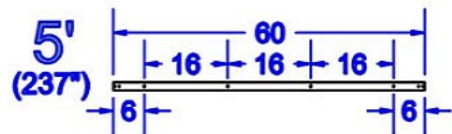
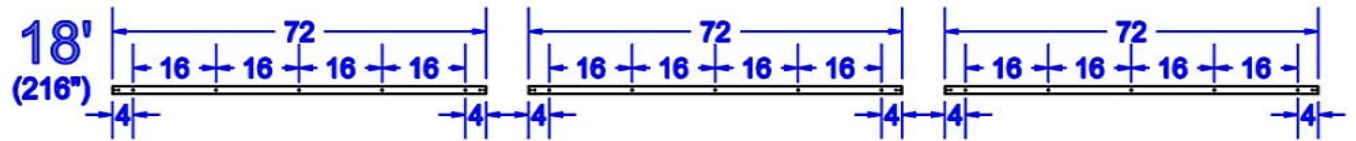
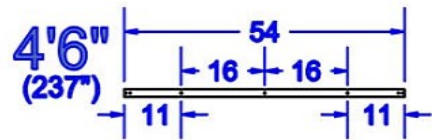
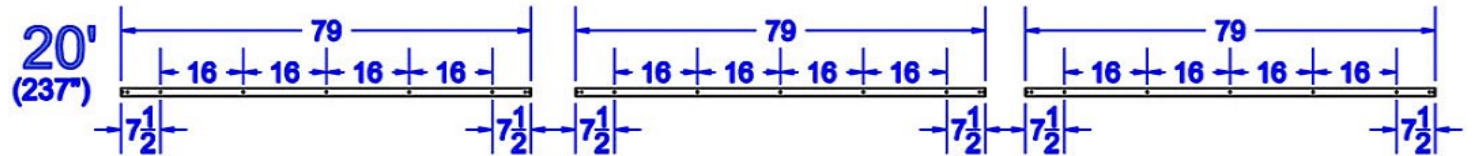
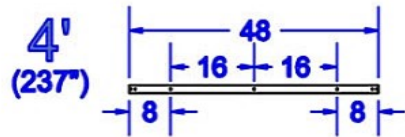


Note: Measurements are in inches.

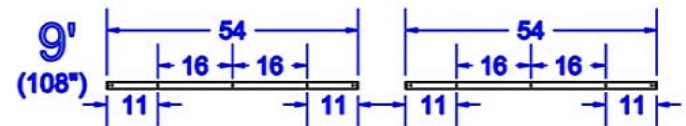
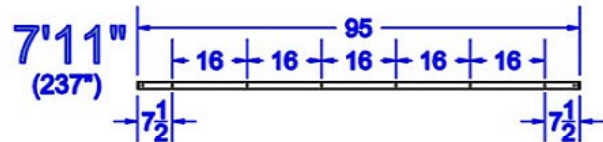
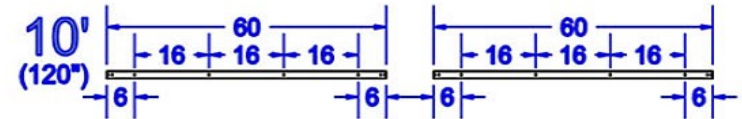
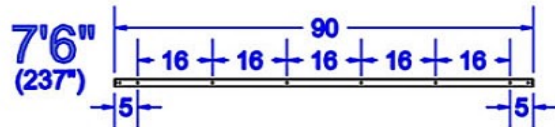
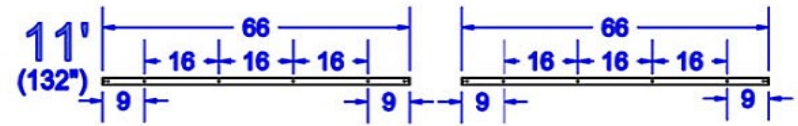
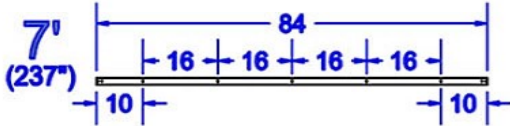
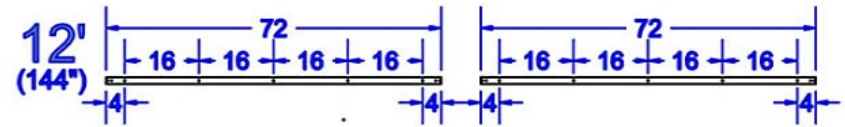
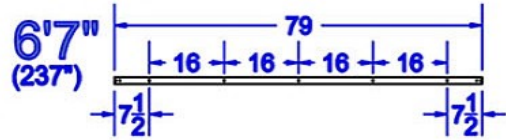
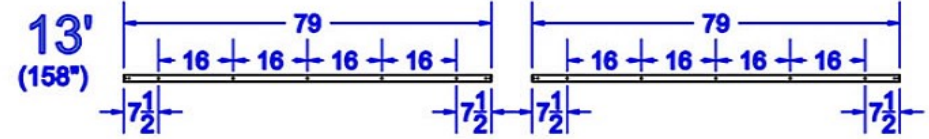
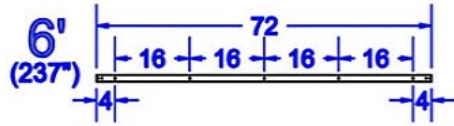


Part: Low-Profile Single-Track Bypass Hanger

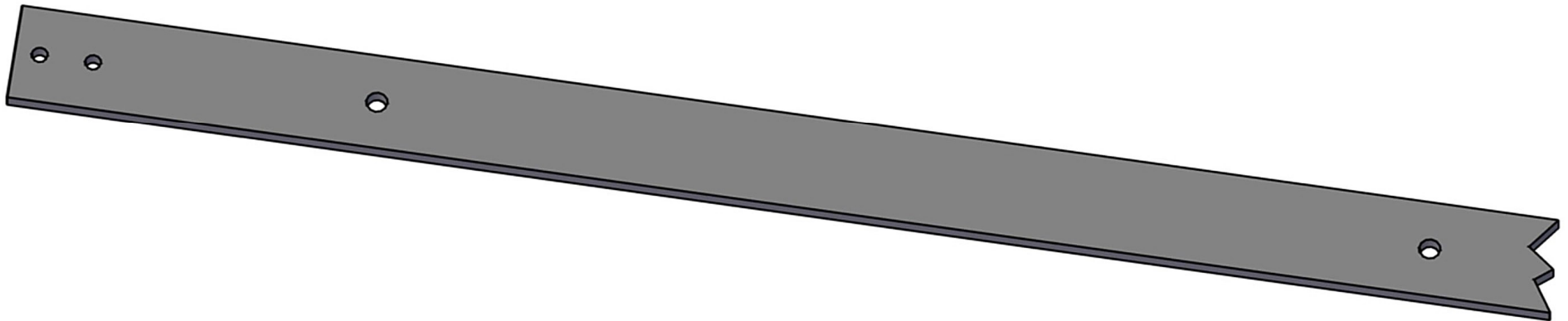
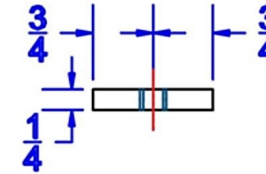
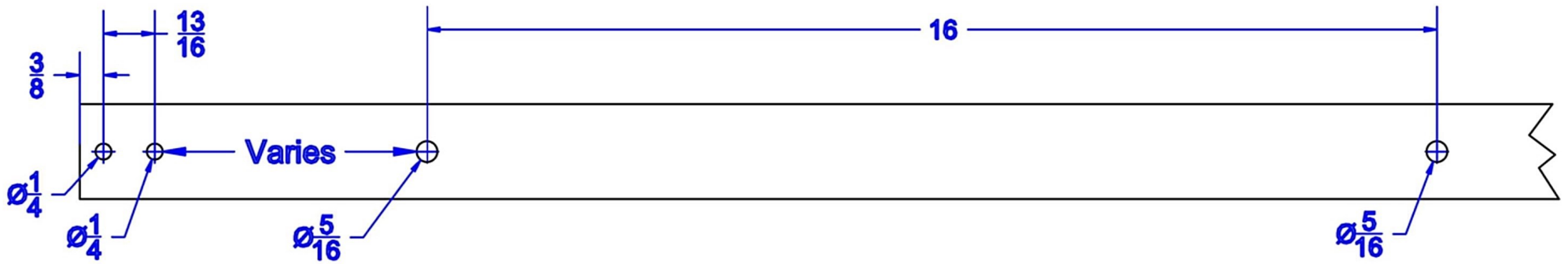
Scale: 1:1



Note: Measurements are in inches.



Note: Measurements are in inches.



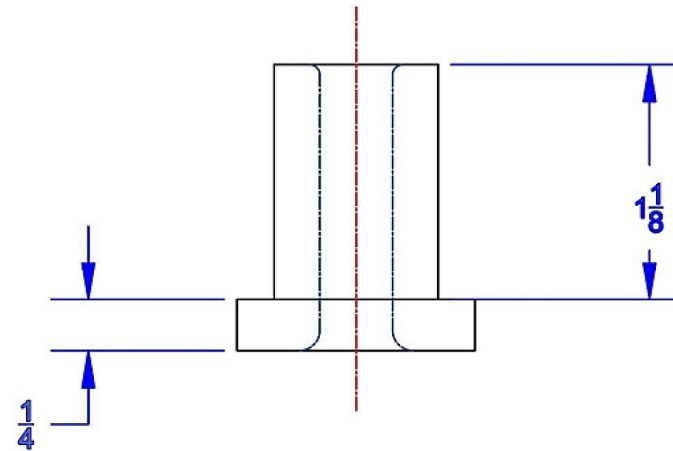
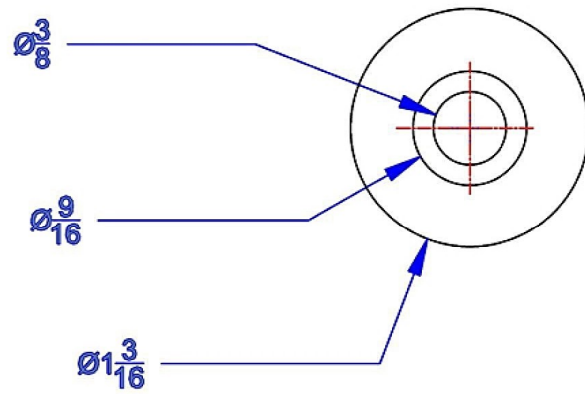
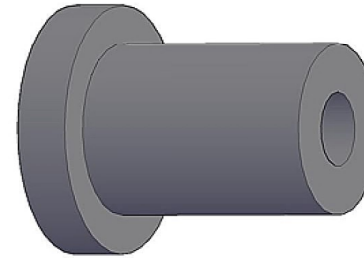
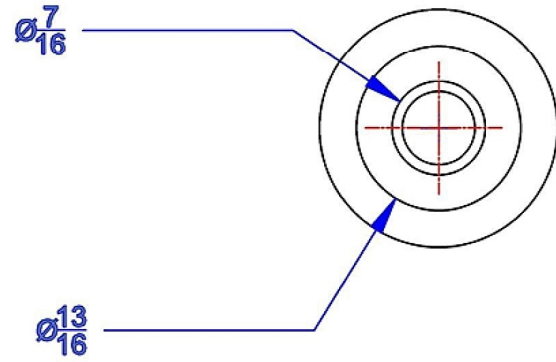
Note: Measurements are in inches.

**RUSTIC**  
ROLLING DOORS

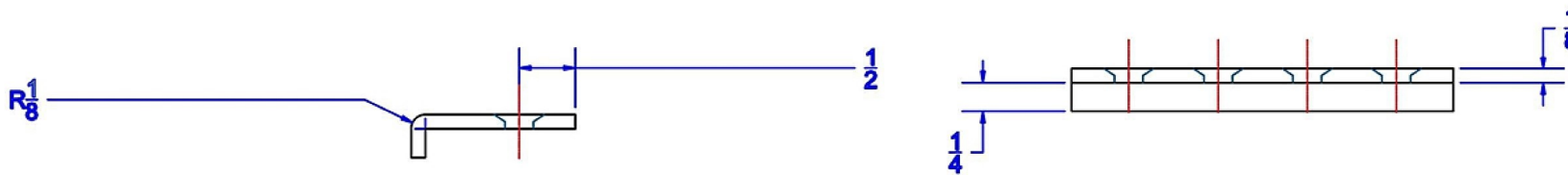
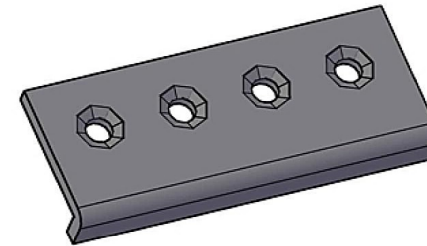
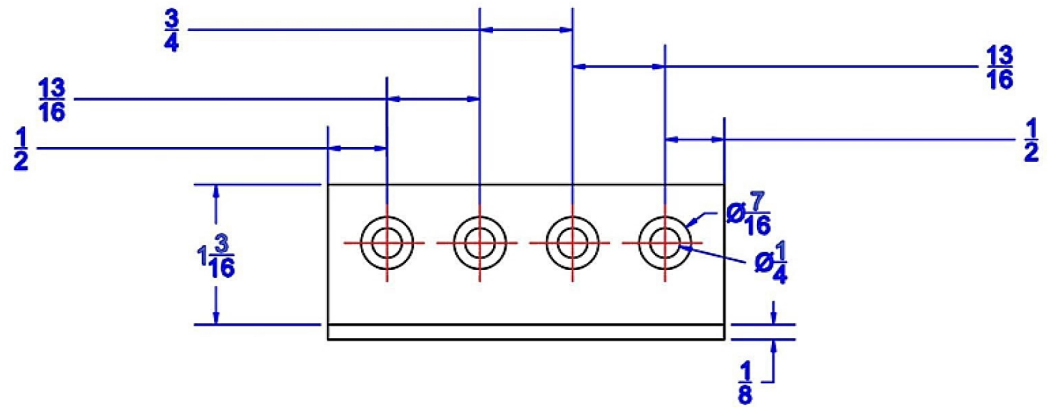
Part: Track

Scale: 1:1





Note: Measurements are in inches.



**NOTE:**

- Supplied with the following:
- 4 – Flat Head Hex (Allen) Screws
- 4 – 6 mm Nuts
- 1 – 4 mm Hex (Allen) Wrench

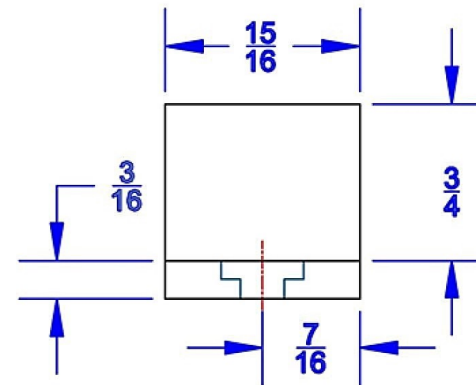
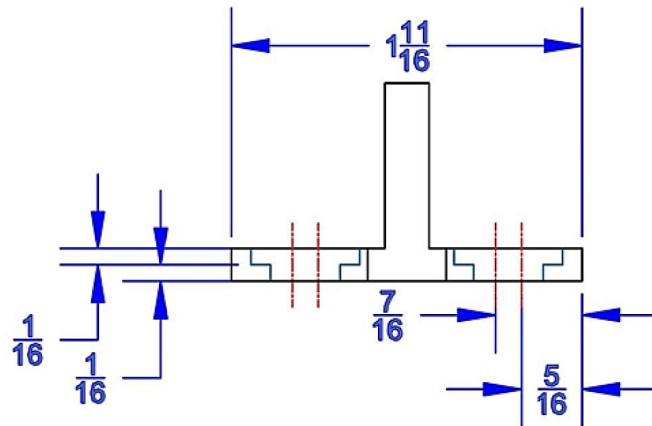
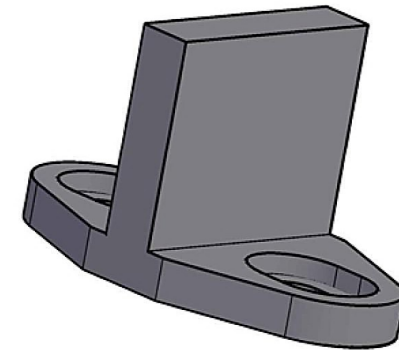
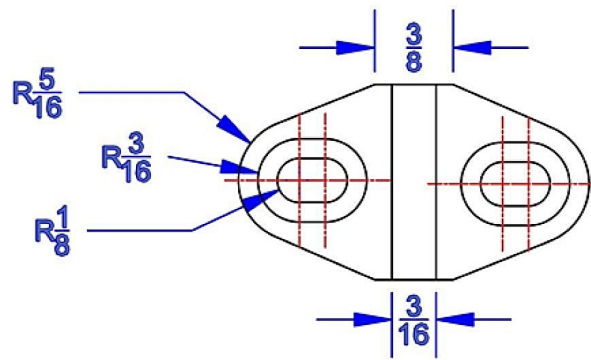
Note: Measurements are in inches.



Part: Junction Plate

Scale: 1:1





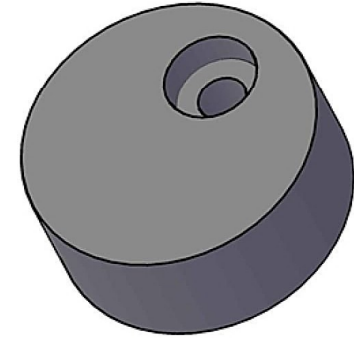
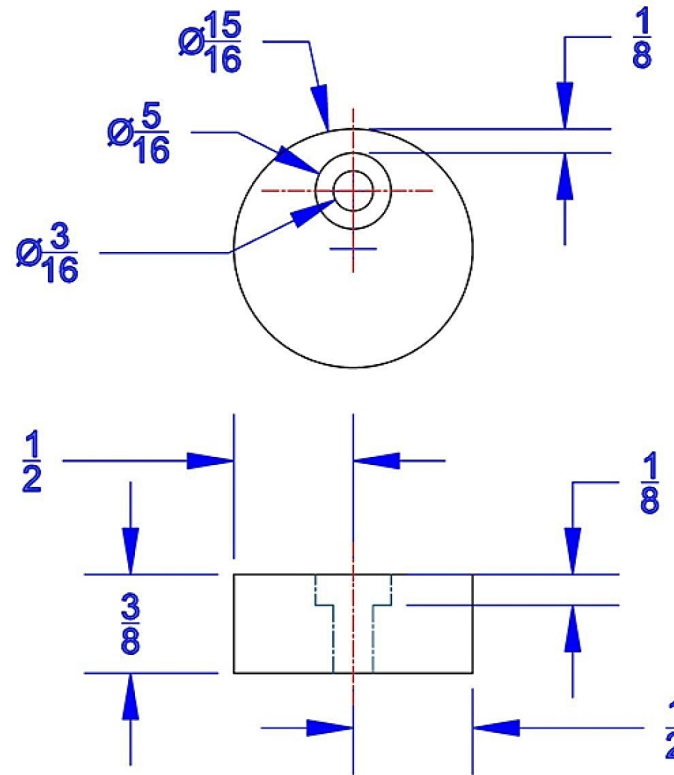
NOTE:  
 Supplied with the following:  
 2 - 1" #8 Sheet Metal Screw  
 2 - 1-3/16" (6 x 30) Plastic Anchor

Note: Measurements are in inches.

**RUSTIC**  
 ROLLING DOORS

Part: Floor Guide

Scale: 1:1



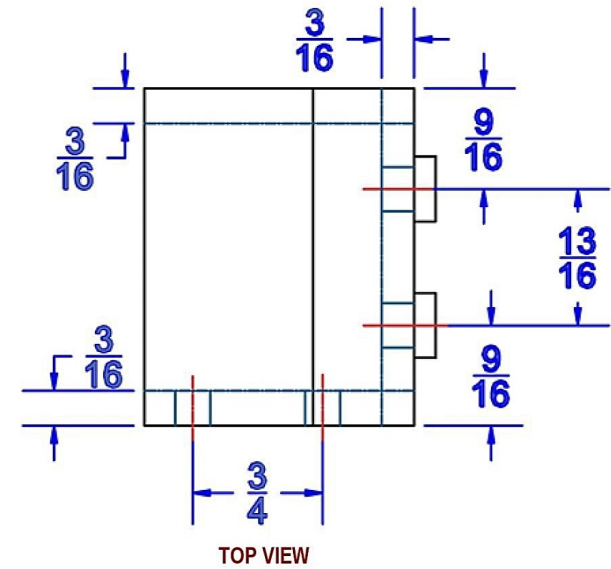
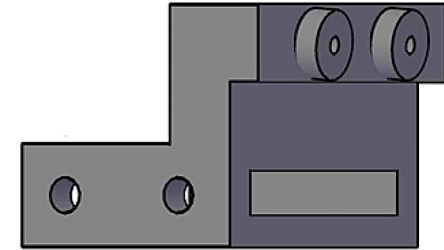
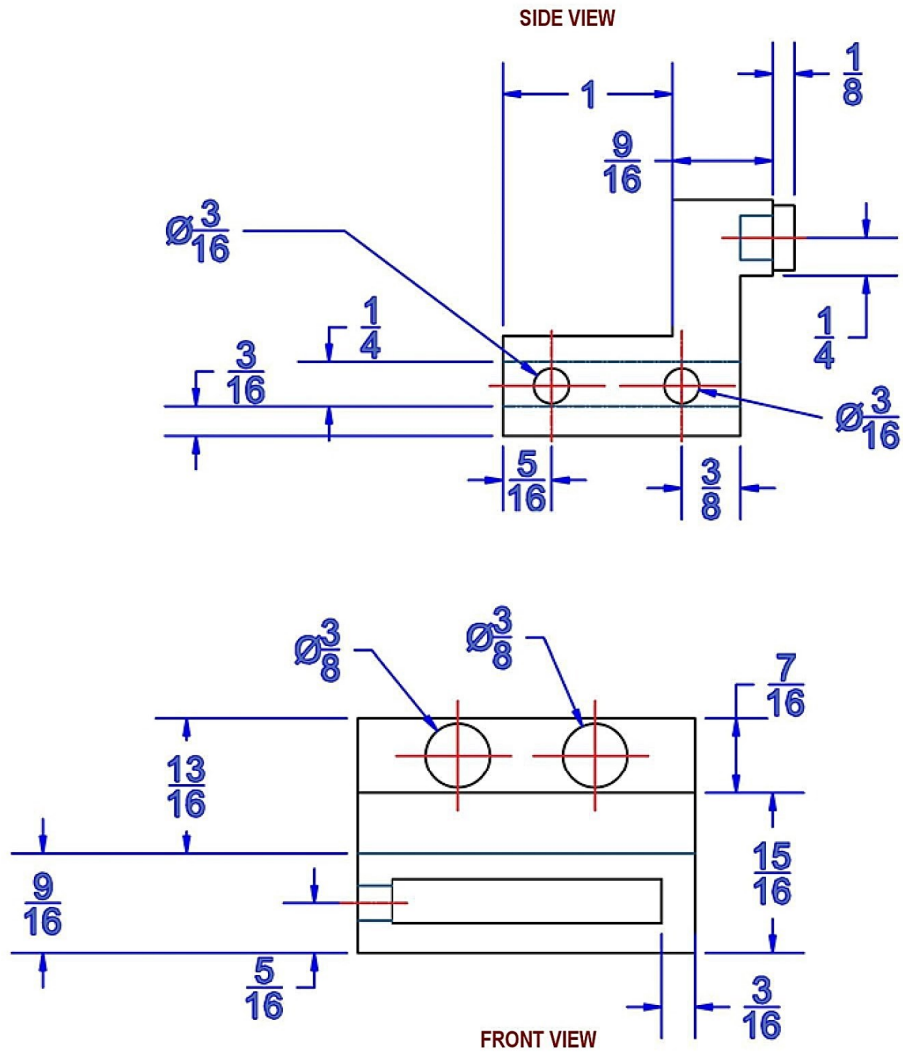
NOTE:  
 Supplied with the following:  
 1 - 3/4" #7 Wood Screw

Note: Measurements are in inches.

**RUSTIC**  
 ROLLING DOORS

Part: Anti-Jump Pad

Scale: 1:1



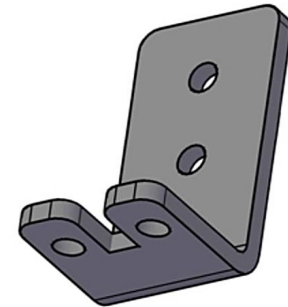
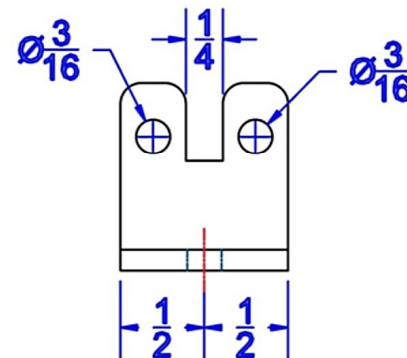
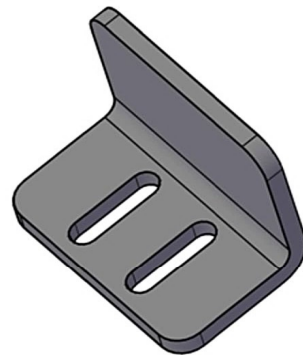
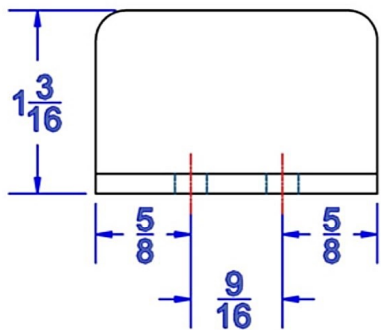
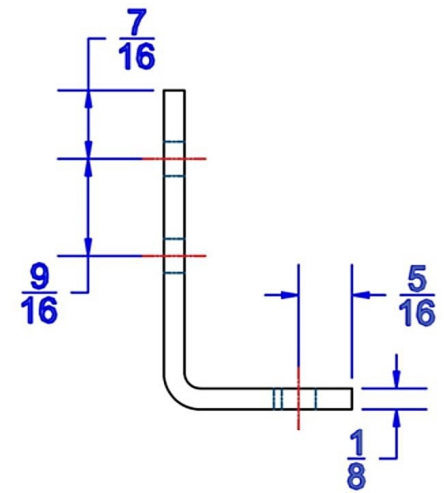
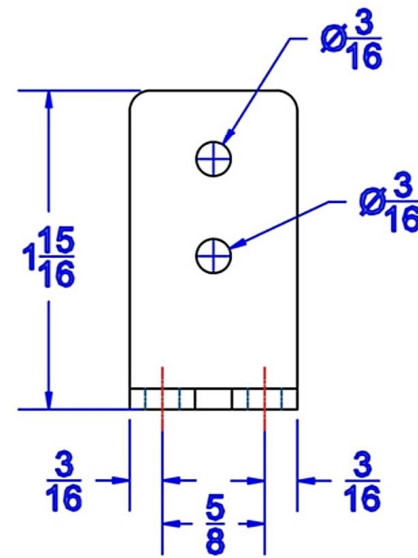
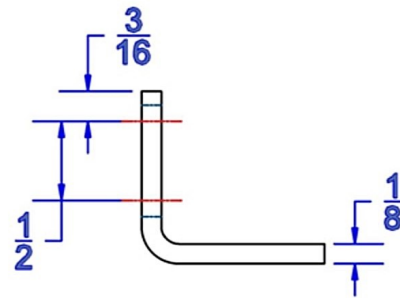
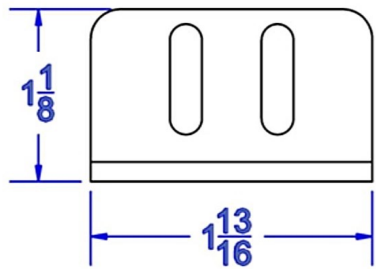
NOTE:  
 Supplied with the following:  
 2 – 1/4" (M6 x 6) Set Screw  
 1 – 3mm Hex (Allen) Wrench

Note: Measurements are in inches.

**RUSTIC**  
 ROLLING DOORS

Part: Door Stopper

Scale: 1:1



**NOTE:**

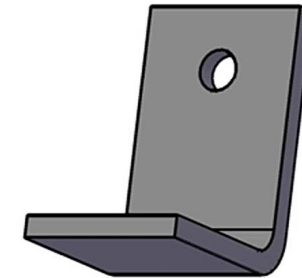
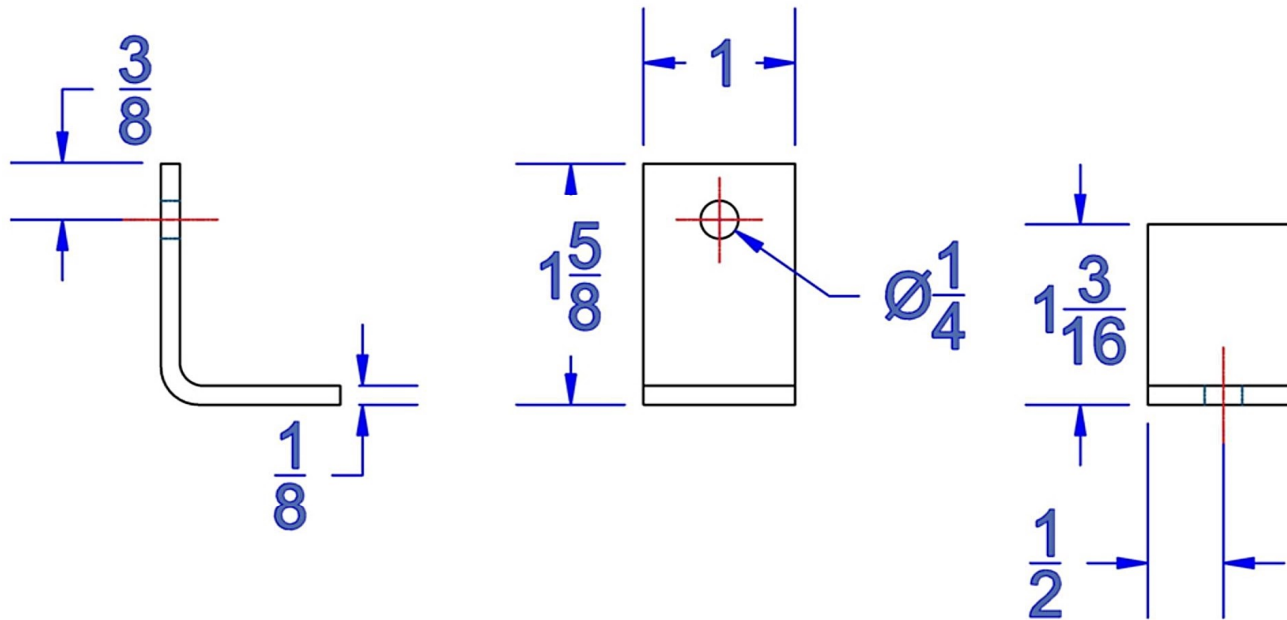
- Supplied with the following:  
 2 – M5 Phillips Truss Head Screw (1/2" overall length)  
 2 – M5 Nut (5/16" across)  
 2 – 6x30mm Plastic Anchor (1" long)  
 2 – M6 x 24 mm Sheet Metal Screw (1" long)

Note: Measurements are in inches.



Part: Outer Door Floor Guide for  
 Single-Track Bypass Hardware Kit

Scale: 1:1



**NOTE:**

Supplied with the following:

- 1 – 16mm M6 Socket Button Head Screw (3/4" long)
- 1 – M6 Flat Washer (1/2" across)
- 1 – M6 Nut (3/8" across)
- 1 per set of 2 brackets – 4 mm Hex (Allen) Wrench (5/32")

Note: Measurements are in inches.



**Part: Anti-Jump Bracket for Single-Track Bypass Hangers**

**Scale: 1:1**