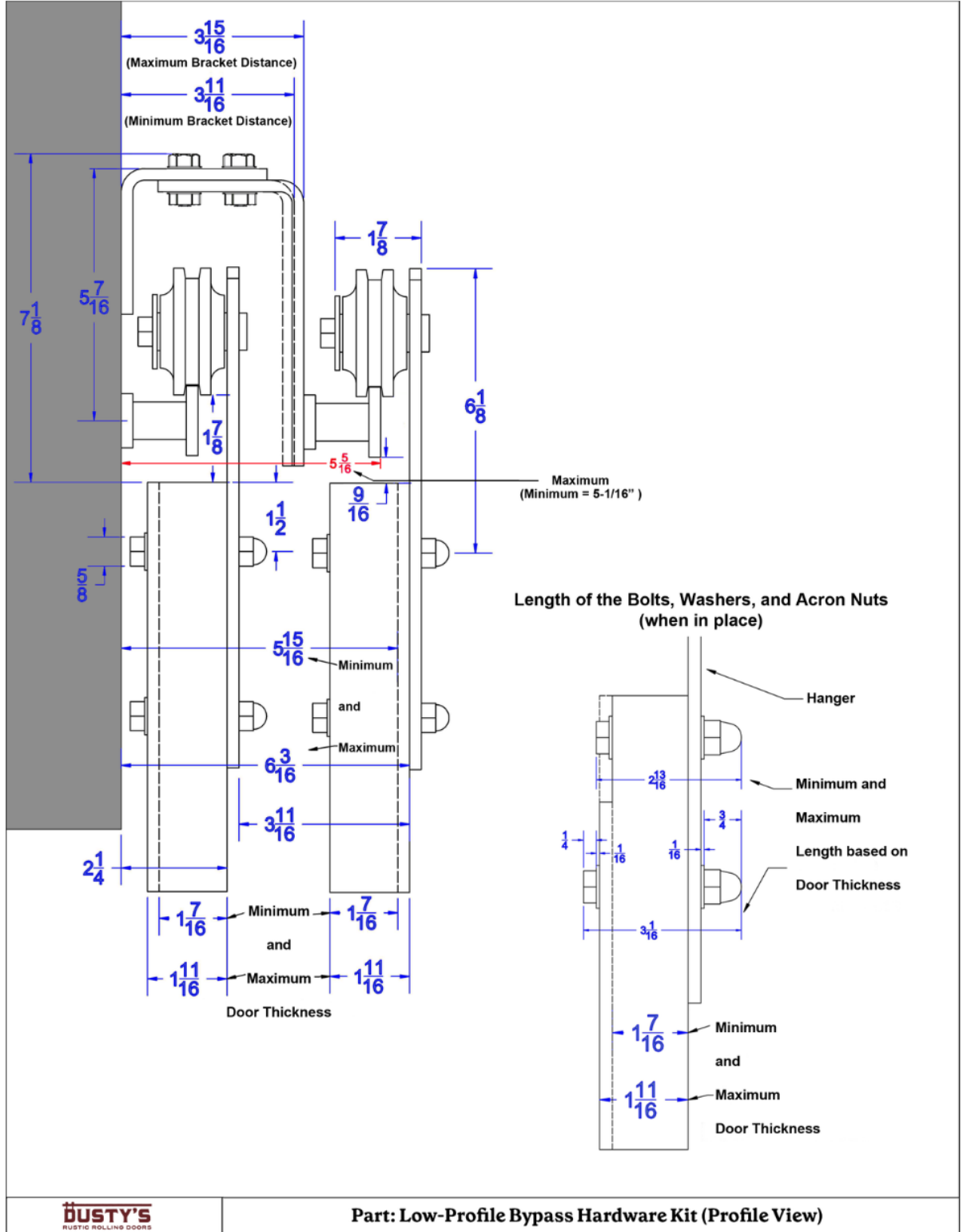
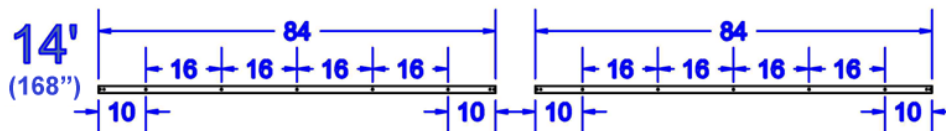
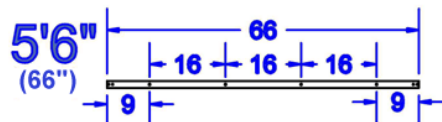
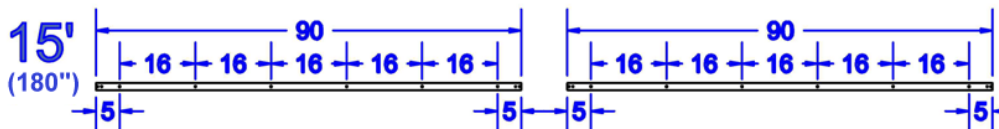
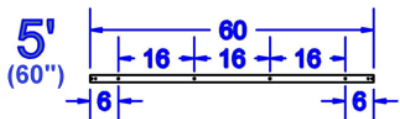
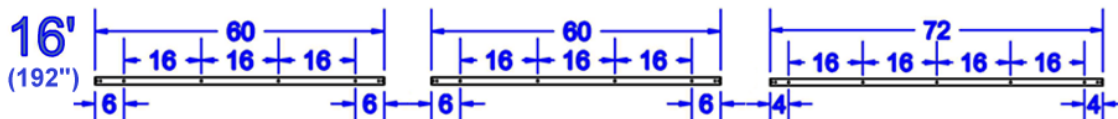
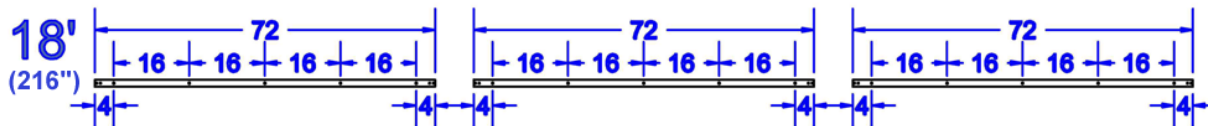
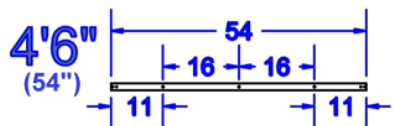
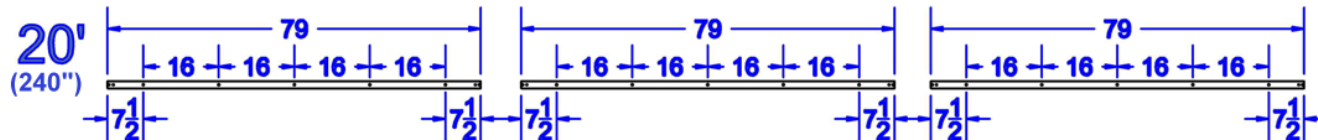
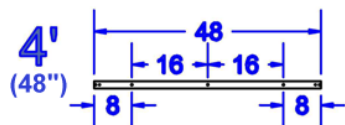
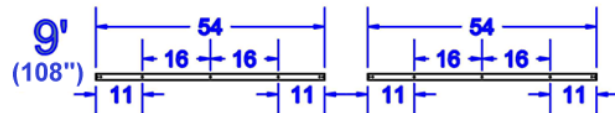
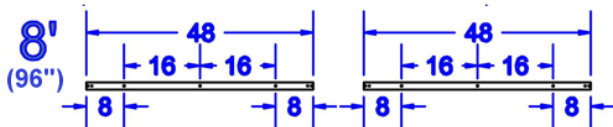
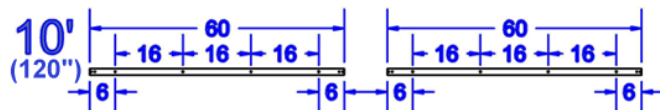
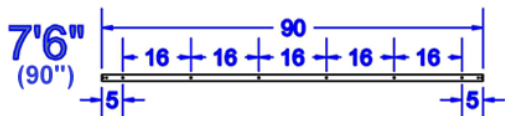
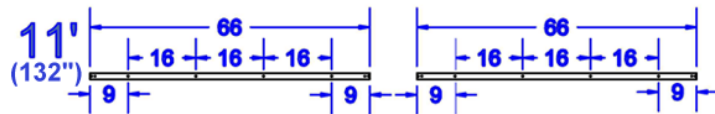
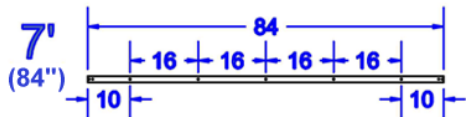
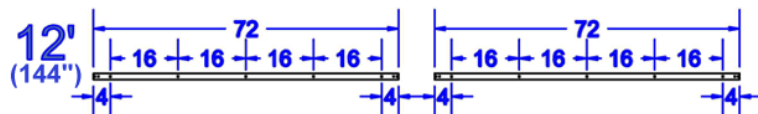
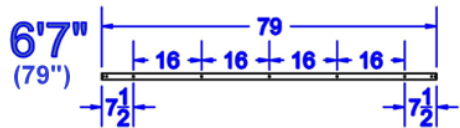
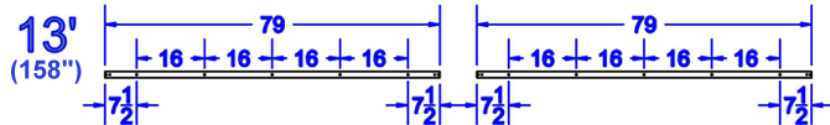
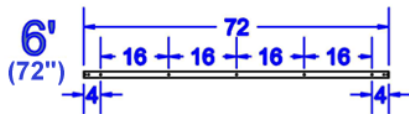


Note: Measurements are in inches.

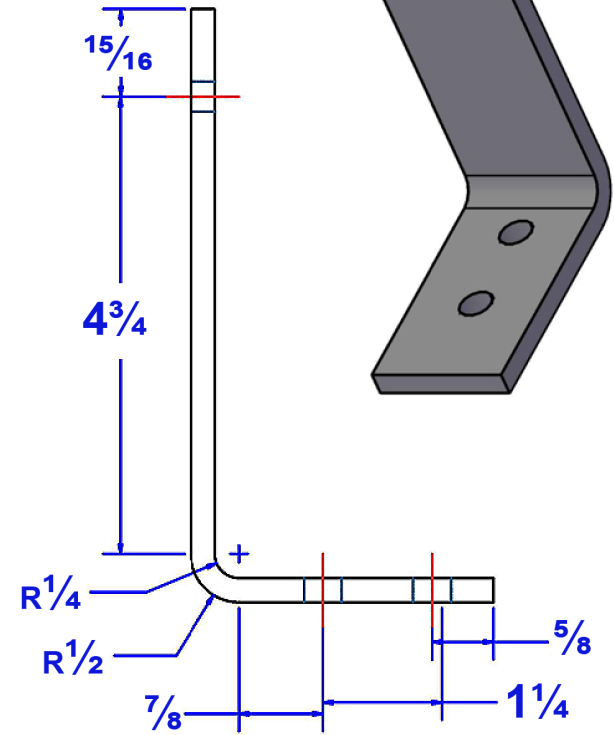
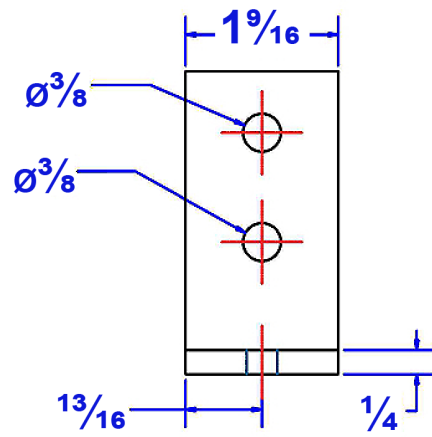
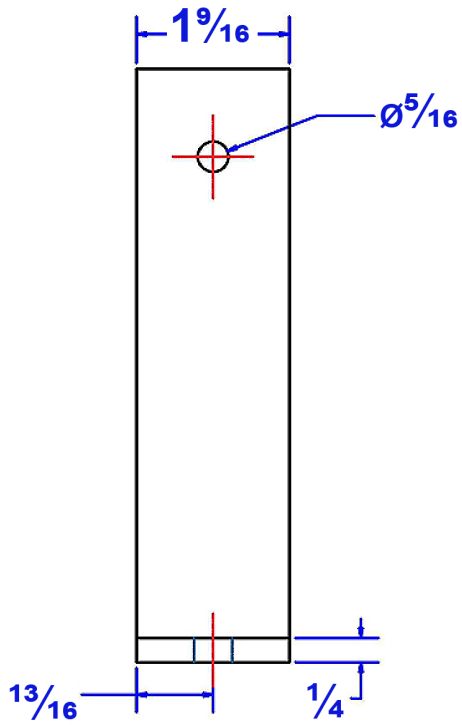




Note: Measurements are in inches.



Note: Measurements are in inches.

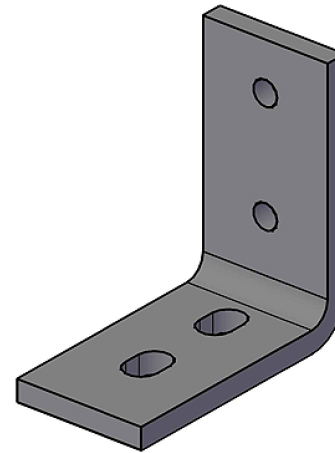
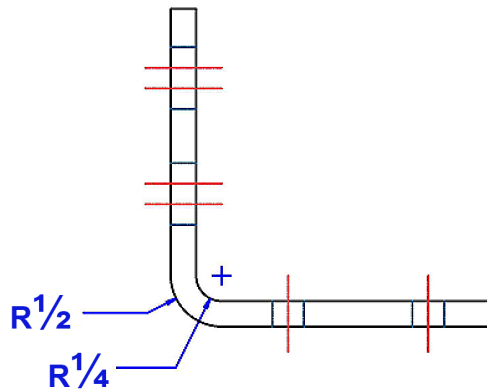
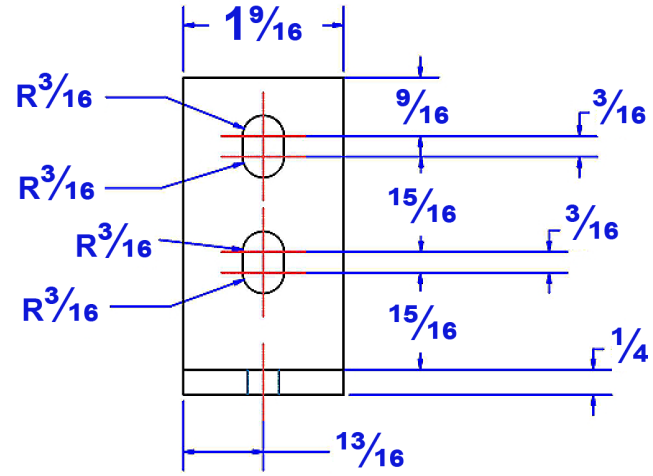
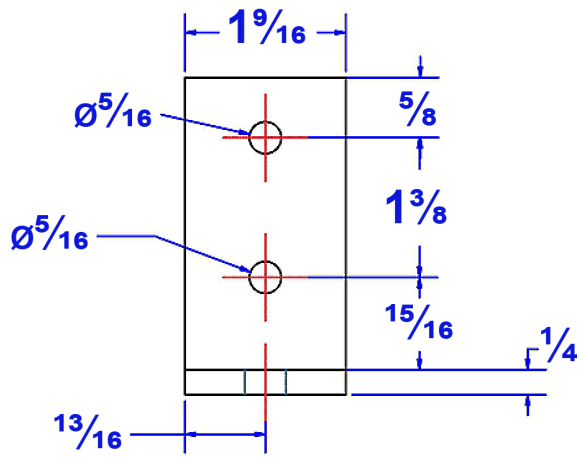


Note: Measurements are in inches.

**DUSTY'S**  
 RUSTIC ROLLING DOORS

**Part: Large Bypass Bracket**

**Scale: 1:1**



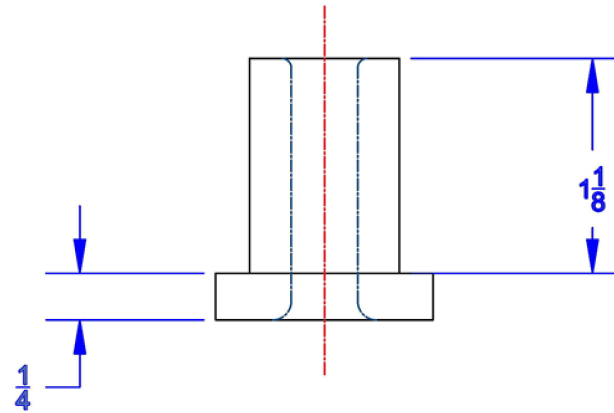
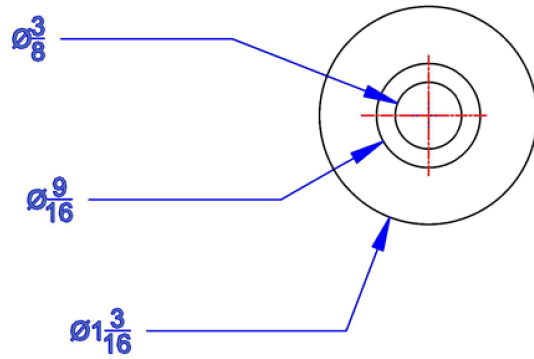
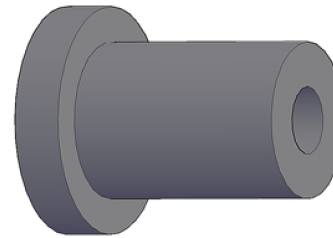
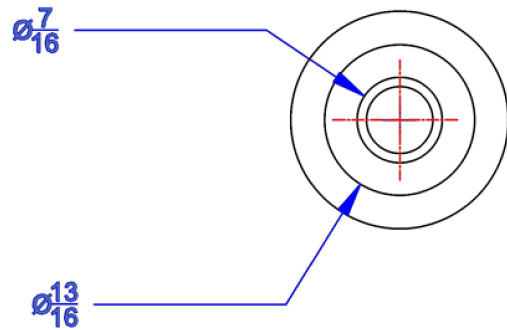
Note: Measurements are in inches.

**DUSTY'S**  
RUSTIC ROLLING DOORS

**Part: Small Bypass Bracket**

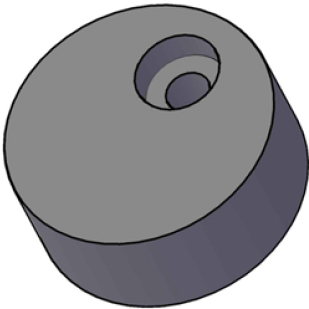
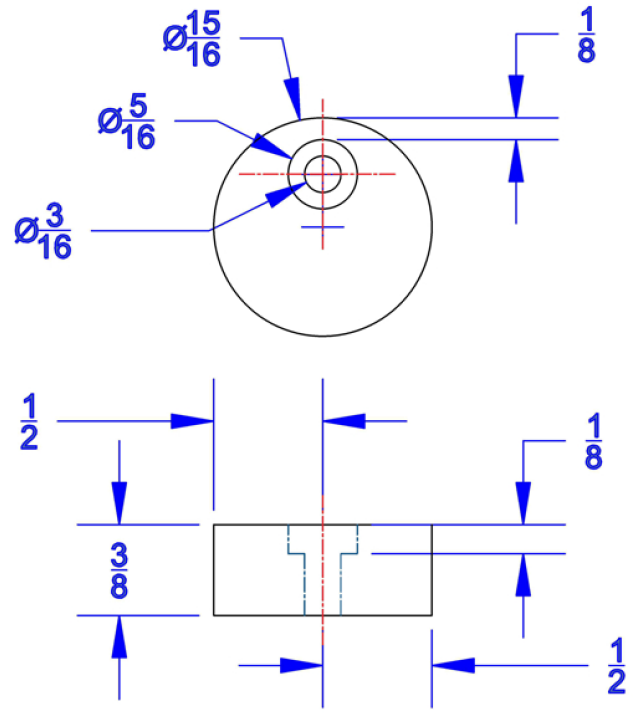
**Scale: 1:1**





Note: Measurements are in inches.





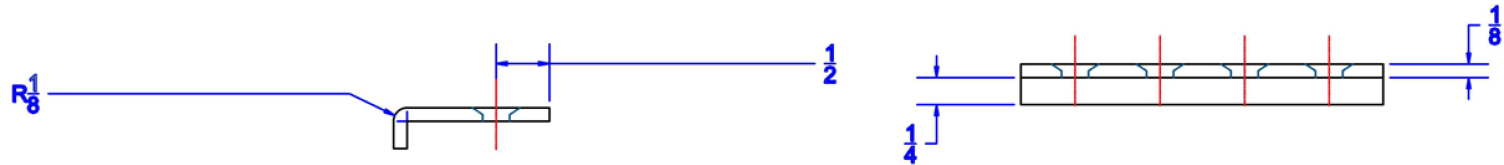
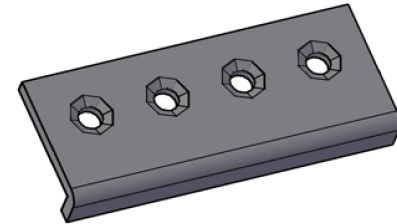
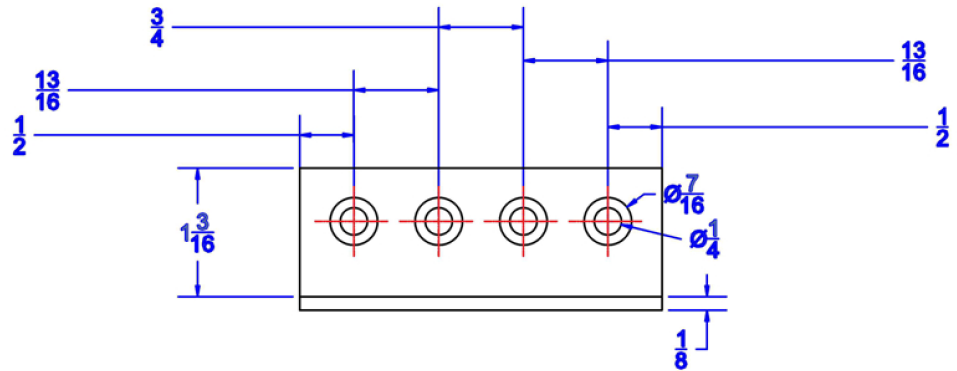
NOTE:  
 Supplied with the following:  
 1 - 3/4" #7 Wood Screw

Note: Measurements are in inches.



**Part: Anti-Jump Pad**

**Scale: 1:1**



**NOTE:**

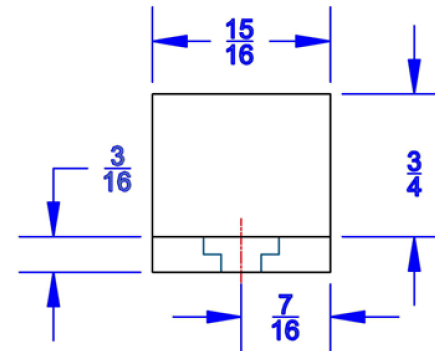
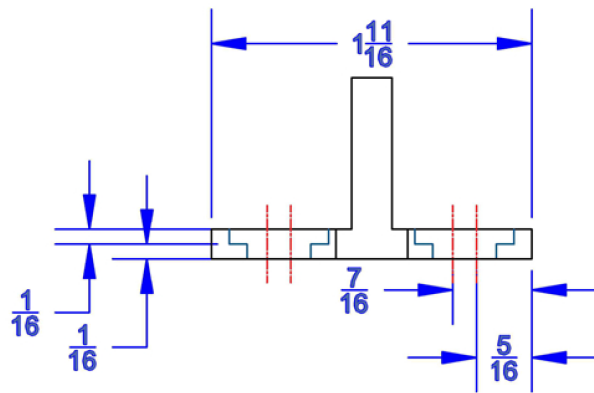
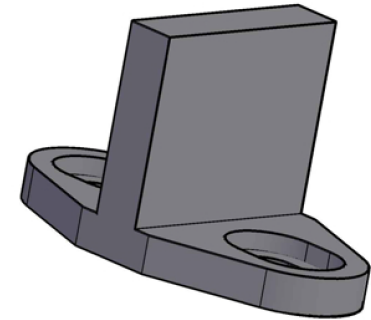
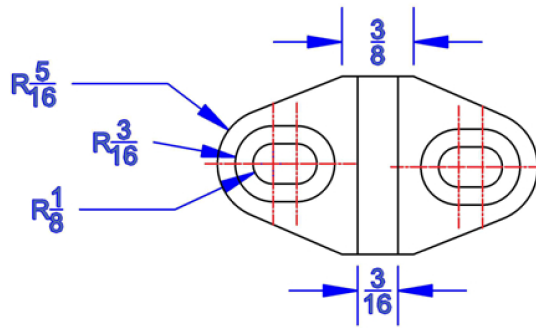
- Supplied with the following:
- 4 – Flat Head Hex (Allen) Screws
- 4 – 6 mm Nuts
- 1 – 4 mm Hex (Allen) Wrench

Note: Measurements are in inches.



**Part: Junction Plate**

**Scale: 1:1**



NOTE:  
 Supplied with the following:  
 2 - 1" #8 Sheet Metal Screw  
 2 - 1-3/16" (6 x 30) Plastic Anchor

Note: Measurements are in inches.

**DUSTY'S**  
 RUSTIC ROLLING DOORS

**Part: Floor Guide**

**Scale: 1:1**