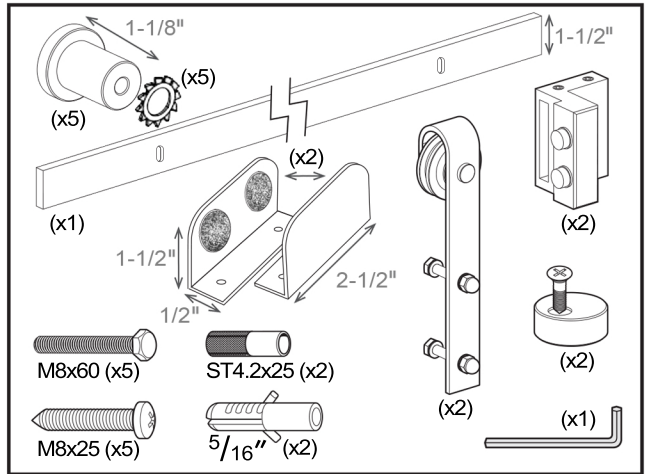
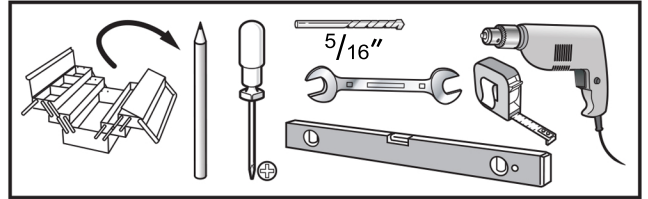
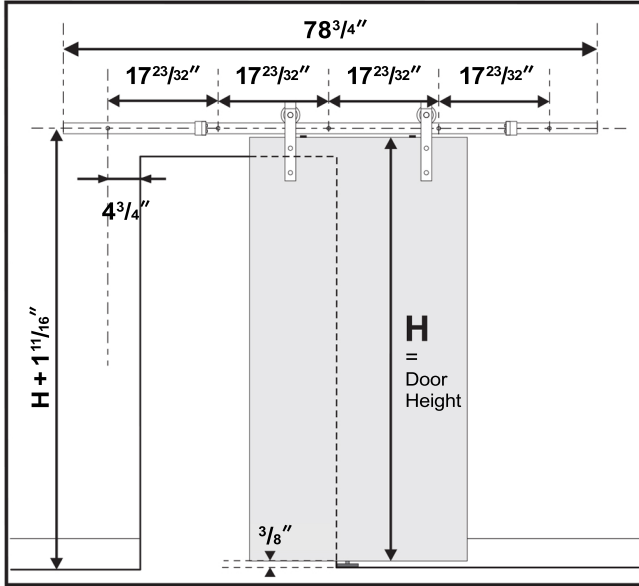
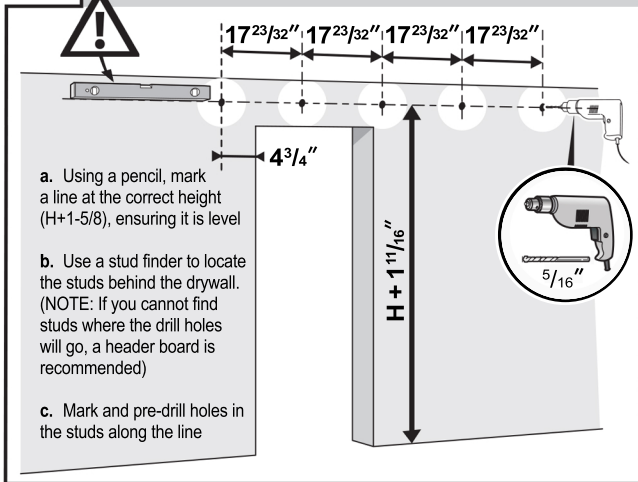


Barn Door Installation Manual

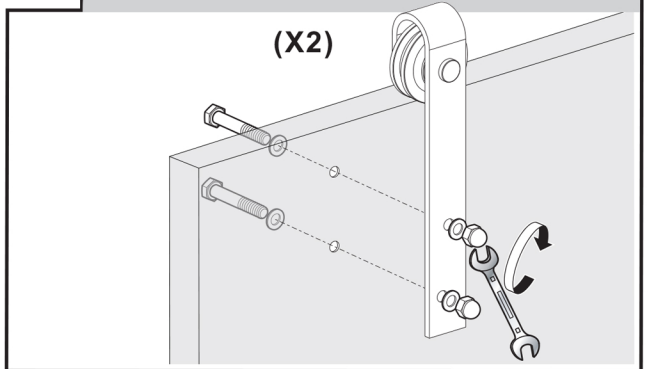
IMPORTANT: Before you begin the installation of your barn door, please read through ALL of the manufacturer's instructions. Failure to follow the proper installation procedures could result in the denial of warranty claims for any operational performance issues.



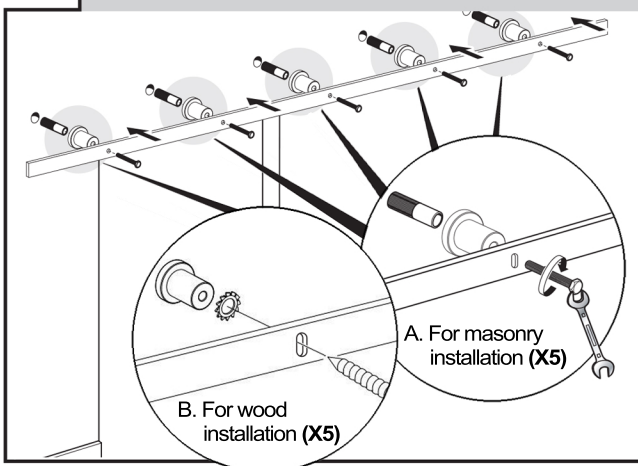
1 Determine the location on the wall for the rail, and use a LEVEL(!) to mark and pre-drill holes.



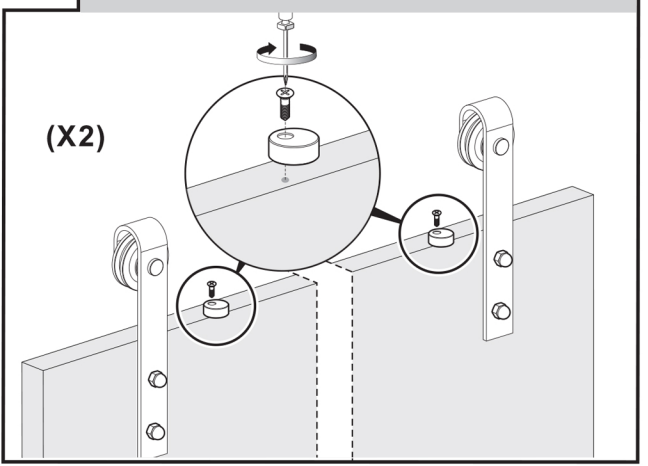
3 Prepare the door by drilling the holes and attaching the rollers as indicated.



2 Install the rail using the screws, washers and spacers provided.



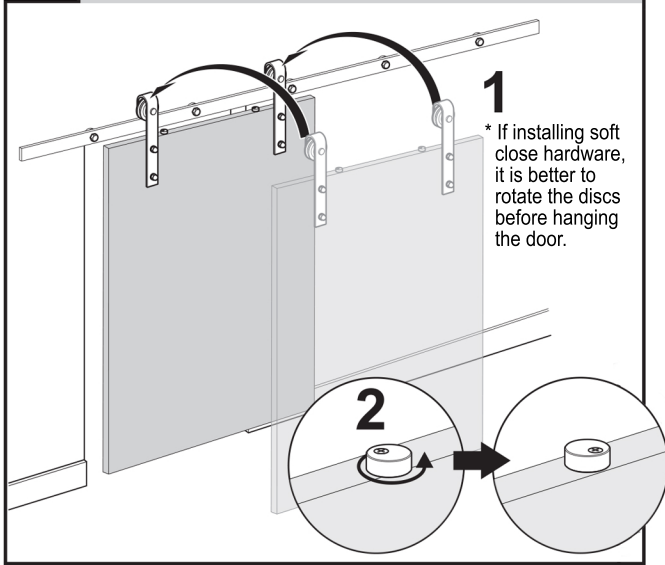
4 Attach anti jump discs to top of the door (at least 1 inch from rollers), rotate them toward the front of the door.



Barn Door Installation Manual - 2

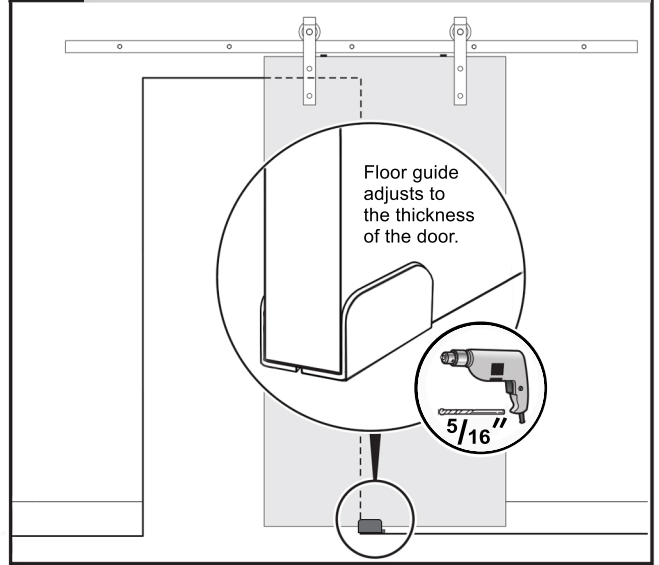
5

Mount the door on the rail and rotate the anti jump discs toward the **back** of the door.



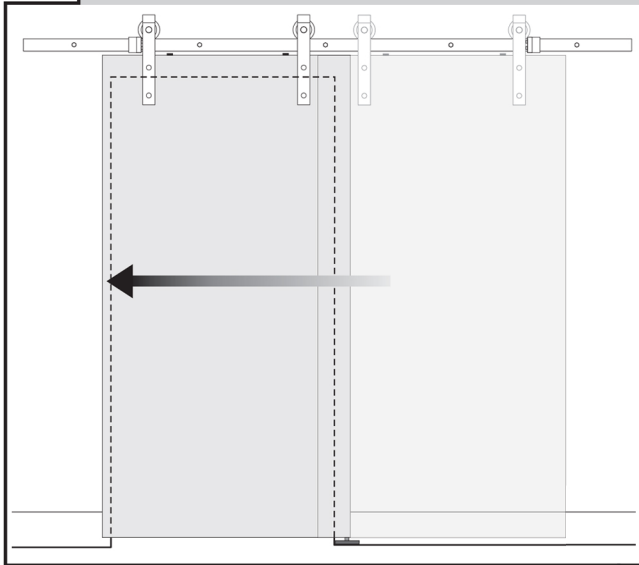
6

Install 2-piece floor guide flush with edge of door opening, and spaced from the wall so the door hangs correctly.



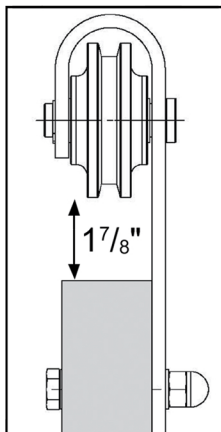
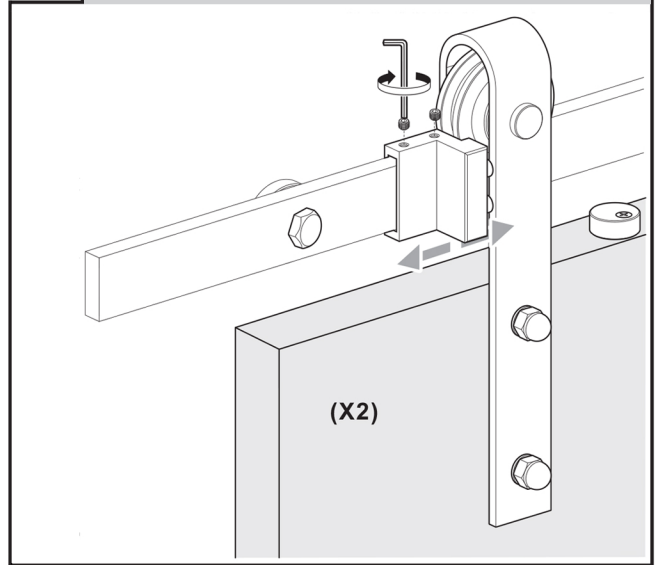
7

Sliding the door from open to closed, position the stoppers to keep the door within the floor guide range.



8

Slide both left and right stops to the desired locations on the rail, and tighten in place with the screws provided.



Face-mounted Rollers:

- Philmont
- Royal
- Slade
- Waggoner
- Vintage

Top-mounted Roller:

- Gage

