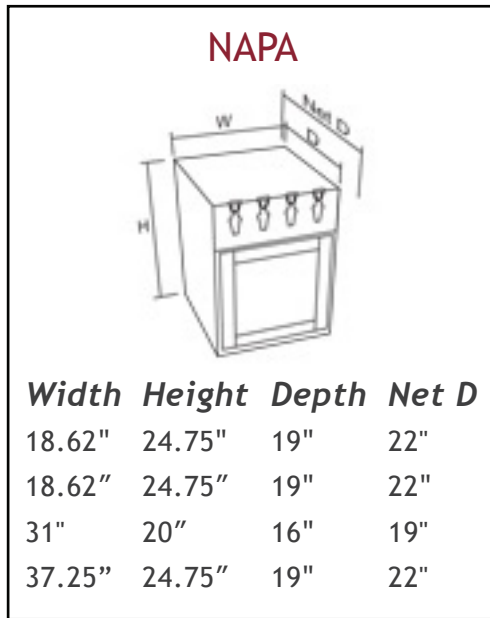
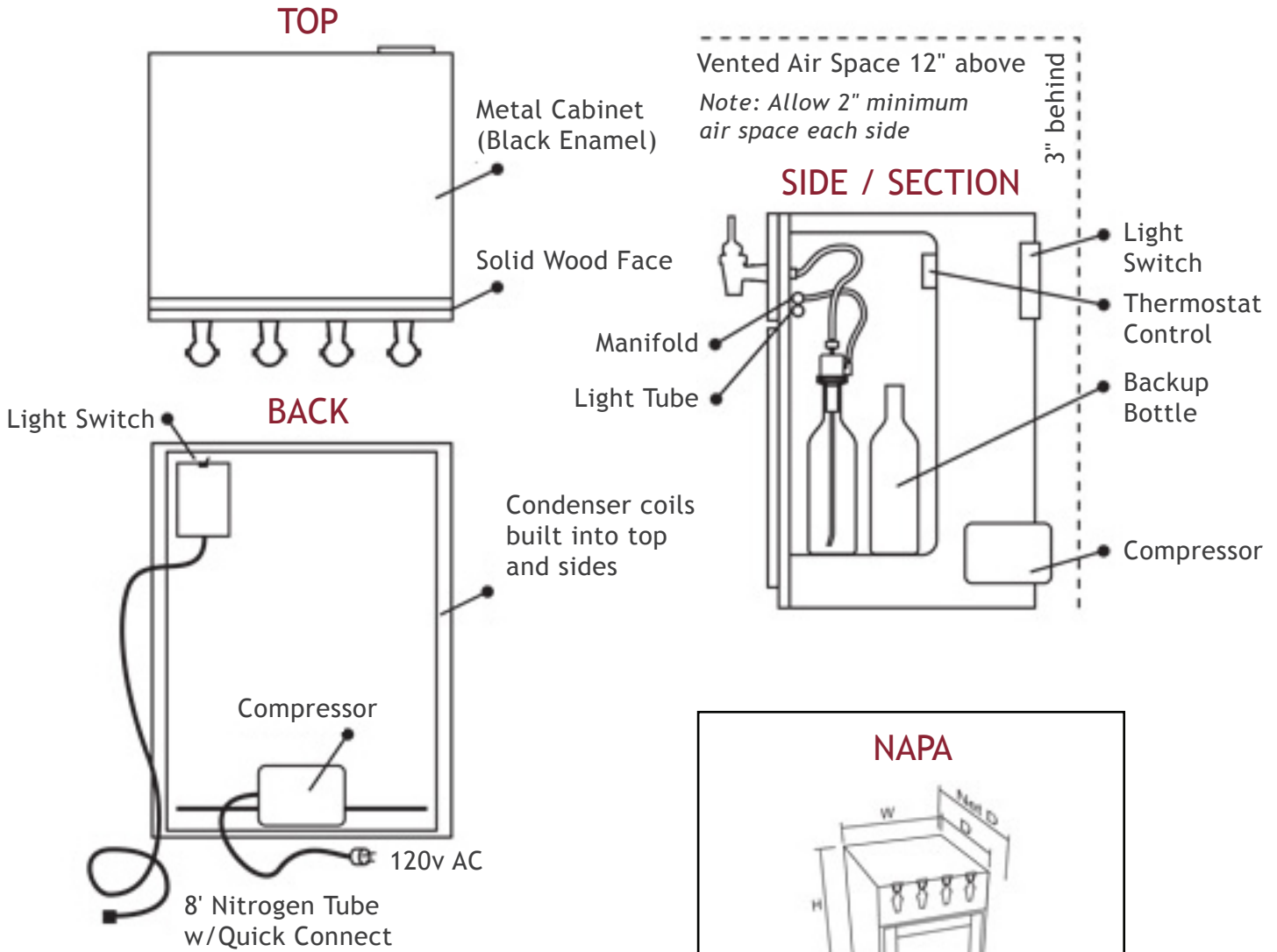


PRODUCT SCHEMATIC

THE NAPA



Model	Faucets (Red/White)	Description	Amps	Width	Height	Depth	Net D	Weight
4	4/0 or 0/4	4-Bottle	0.9	18.62"	24.75"	19"	22"	56 lbs
2x2-	2/2	4-Bottle	0.9	18.62"	24.75"	19"	22"	56 lbs
3x3-	6/0, 0/6 or 3/3	6-Bottle Mini	1.8	31"	20"	16"	19"	102 lbs
4x4-	8/0, 0/8 or 4/4	8-Bottle	1.8	37.25"	24.75"	19"	22"	112 lbs