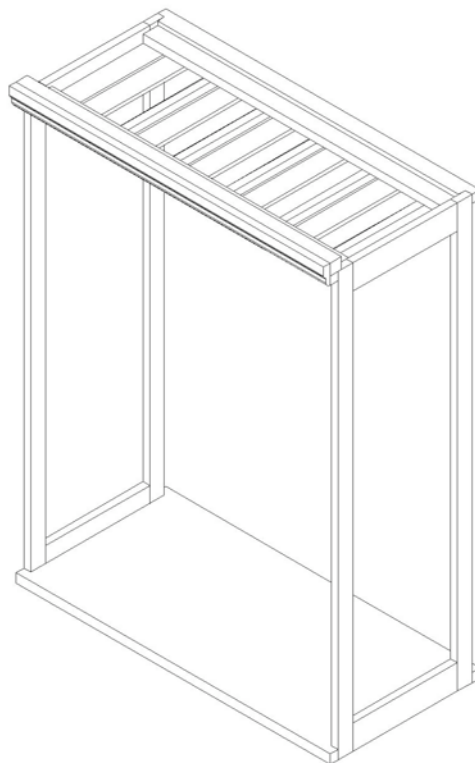


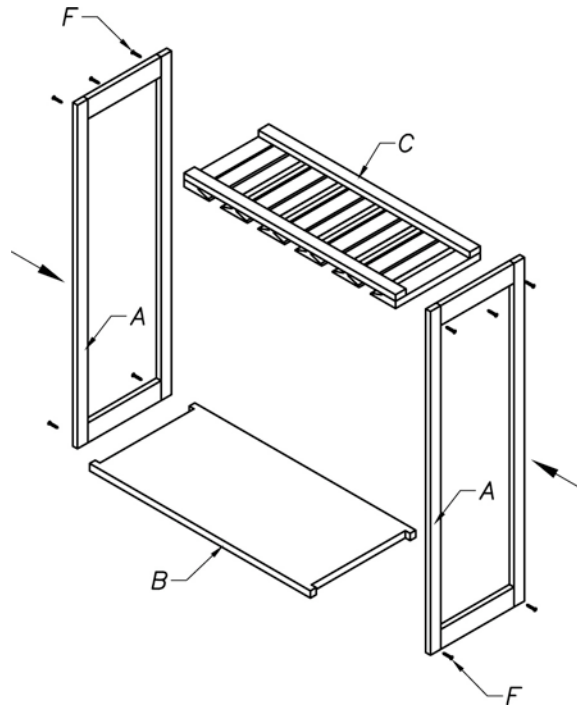


GLASS RACK INFINITY WINE RACK

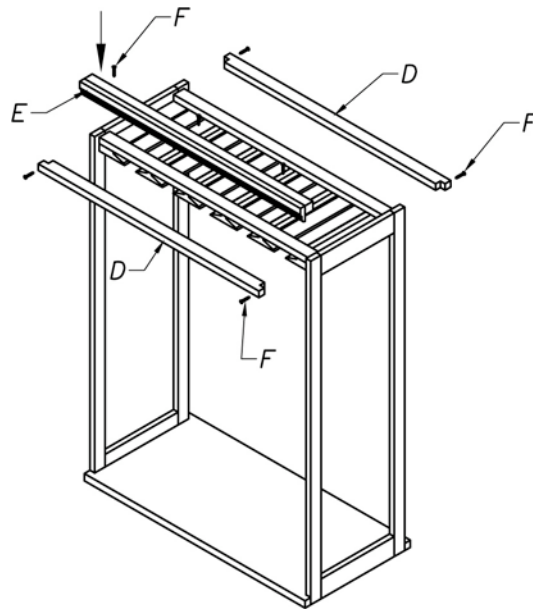
PARTS	DESCRIPTION	INCLUDED PIECES
A	RIGHT & LEFT BOARDS	2
B	BOTTOM BOARD	1
C	GLASS RACK	1
D	SPACER BARS	2
E	MOLDING	2
F	SCREWS	22
G	WALL BRACKET	2

Tools needed: Philips screwdriver.





1. Attach the right and left boards (A) to the bottom board (B) using screws (F).
2. Attach the glass rack (C) to the top of the right and left boards using screws (F).



4. Attach spacer bars (D) to the rear and front of the glass rack as shown above using screws (F).
5. Attach molding (E) to the top front using screws (F).
6. The final step is securing you wine rack to a wall using the brackets provided. If you cannot locate the wine rack on a stud you will have to use the dry wall anchors provided.
7. Attach the bracket to the top of the rack first using the screws provided with the bracket. Drill 2 small pilot holes into the top of the wine rack. Place bracket over the pilot holes and slowly insert screws so as not to split the wood. Drill 2 pilot holes into the wall, insert plastic anchors and attach the brackets to the wall.