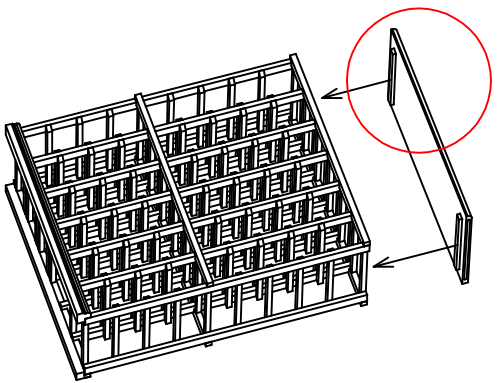
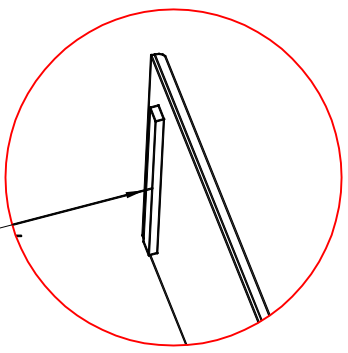


EASY ASSEMBLY

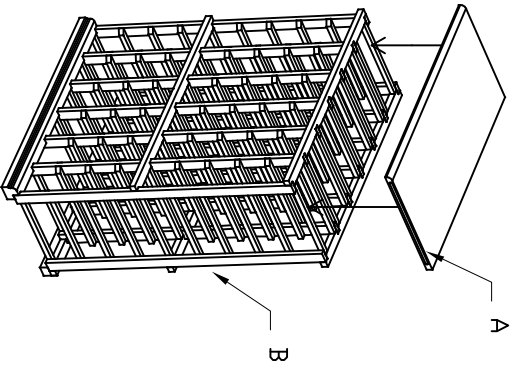


1

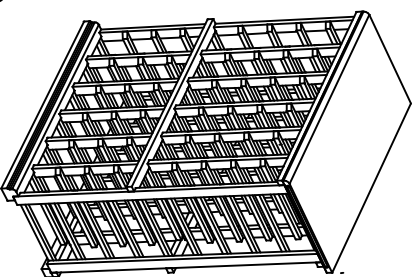
- 1. Top Part(A)
- 2. Detail stopper on Top part



2



3



4

- 3. Insert Top Part (A), stopper in the position half height(B)
- 4. It Shows assembled Half Height with Top.



WINEENTHUSIAST

HALF HEIGHT WITH TOP

