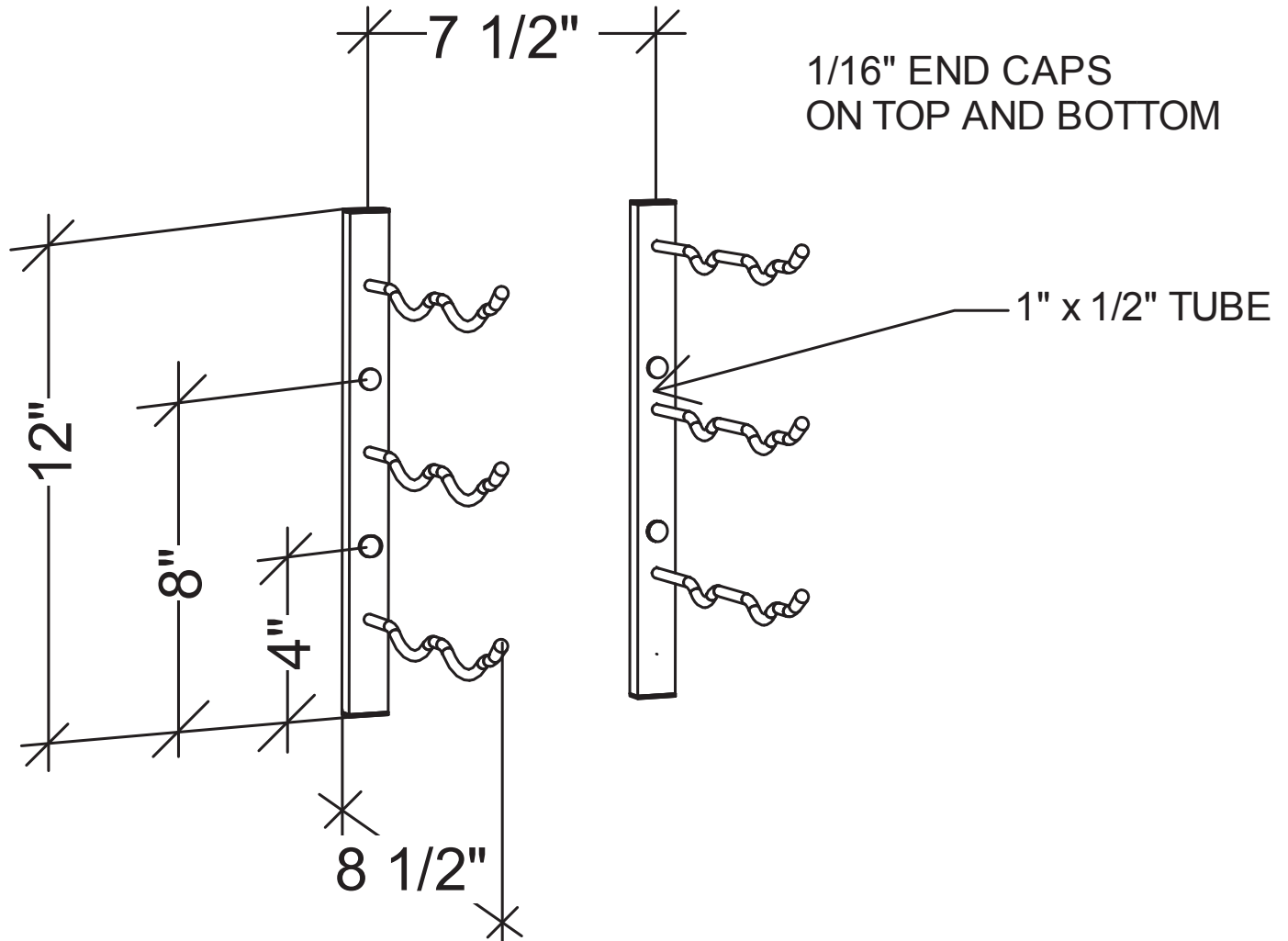


# W Series 1'

Spec sheet for WS-12, 6-bottle wine rack



Account for 13" width  
with wine bottle in rack



VINTAGEVIEW®  
MOVING WINE STORAGE FORWARD

4690 Joliet St., Denver, CO 80239 | phone: 866.650.1500 | fax: 866.650.1501 | [VintageView.com](http://VintageView.com)

For product warranty information, please visit [vintageview.com/warranty](http://vintageview.com/warranty)