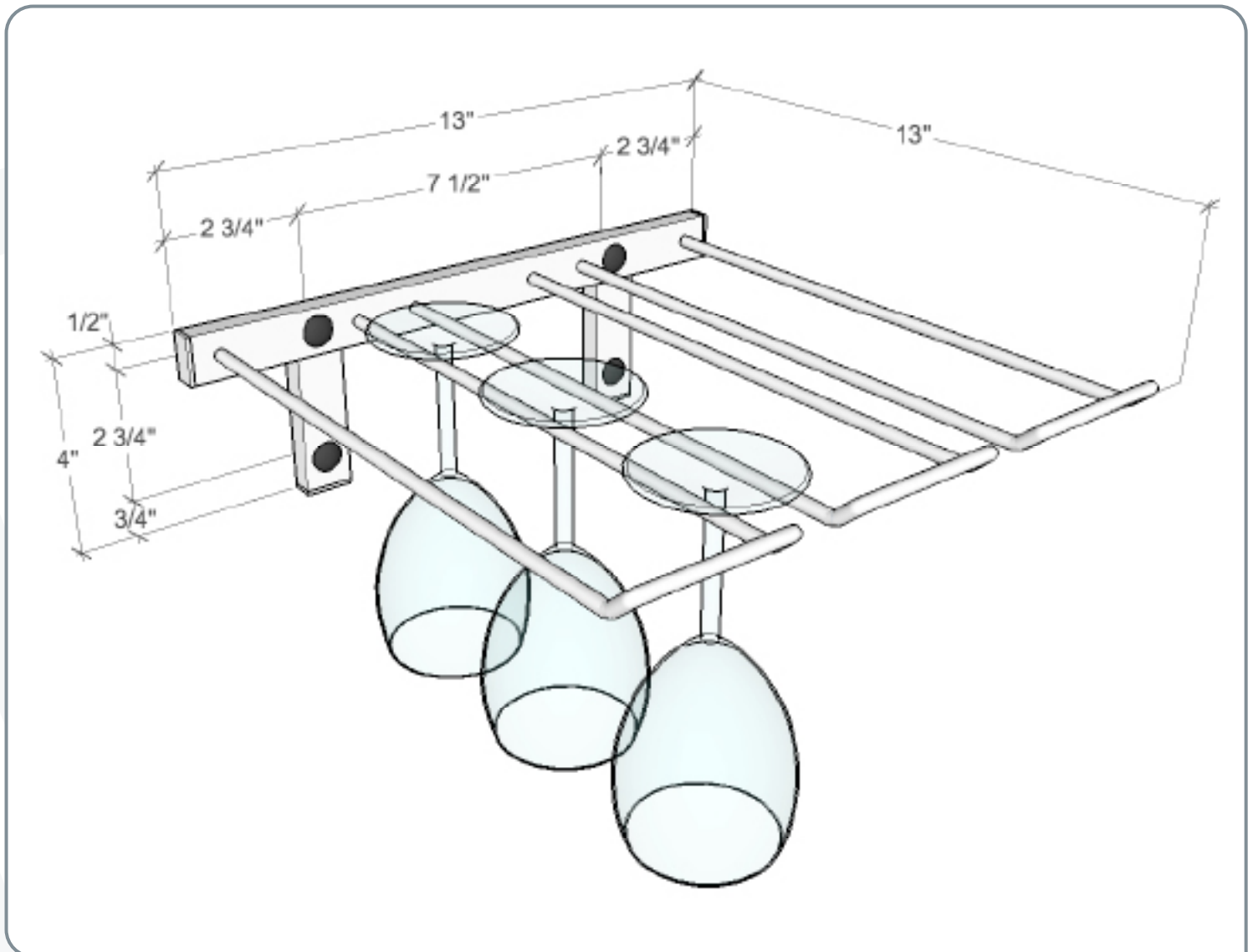


W Series Stemware Rack

(WS-SR) Spec Sheet



Capacity of an individual WS-SR is 6 stemware glasses, up to 4 3/8" diameter. When coupled together, each additional rack provides storage for 3 additional stemware glasses.



VINTAGEVIEW®
MOVING WINE STORAGE FORWARD

Note: A minimum of 1 inch above the rack and 12 inches down from the top of the rack are recommended clearances, but may vary by the height of the stemware stored.

4690 Joliet St., Denver, CO 80239 | phone: 866.650.1500 | fax: 866.650.1501 | VintageView.com

For product warranty information, please visit: VintageView.com/support/warranty We're here to help, call us at 866-650-1500 with any questions