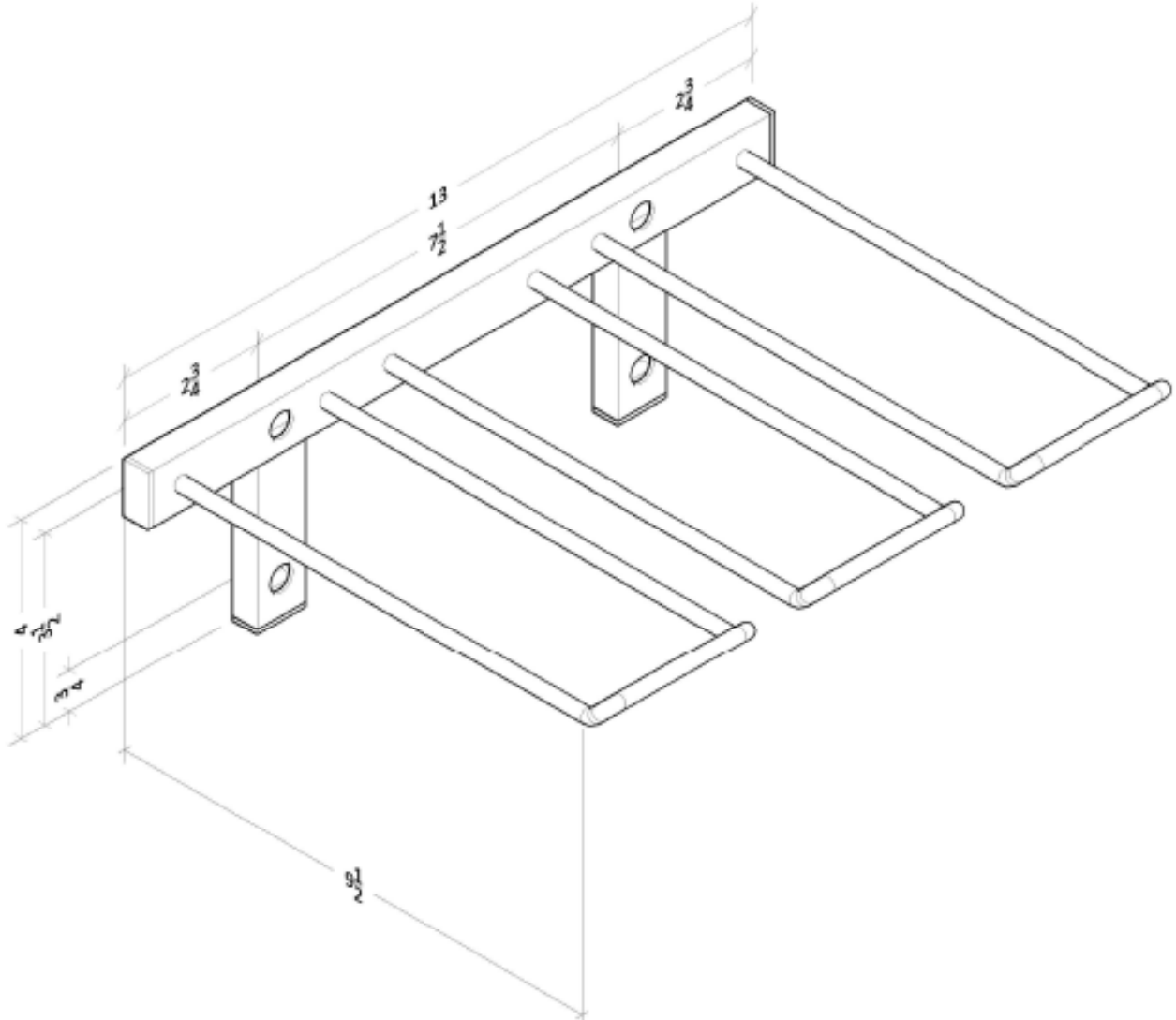


# W Series Stemware Rack

(WS-SR-2D) Spec Sheet



The Stemware Rack holds 4 wine glasses, 4 3/8" diameter. When coupled together, an additional row of storage is added, increasing capacity by 2 glasses per section.



VINTAGEVIEW®  
MOVING WINE STORAGE FORWARD

Note: A minimum of 1 inch above the rack and 12 inches down from the top of the rack are recommended clearances, but may vary by the height of the stemware stored.

4690 Joliet St., Denver, CO 80239 | phone: 866.650.1500 | fax: 866.650.1501 | [VintageView.com](http://VintageView.com)

For product warranty information, please visit [vintageview.com/warranty](http://vintageview.com/warranty)