

MINI CEILING MOUNT H.E.

OWNER'S MANUAL

Mini Ceiling Mount H.E. CMMINI

NOTICE: To activate the split system warranty, the installing certified HVAC/R service tech must complete the split system warranty checklist and send back to WhisperKOOL.



*Whisper***KOOL**[®]
The Future of KOOL

Conforms to ANSI/UL Std 427

Certified to CAN/CSA Std C22.2 No. 120

We manufacture, test and certify 100% of our wine cooling units in the USA. By sourcing the best components and closely controlling our manufacturing processes, we can assure the highest-quality, lowest defect manufacturing rates in the industry.

Copyright © 2022. WhisperKOOL. All rights reserved.

WhisperKOOL copyrights this manual, the product design, and the design concepts, with all rights reserved. Your rights with regard to the hardware and manual are subject to the restrictions and limitations imposed by the copyright laws of the USA. Under copyright laws, this manual may not be copied, reproduced, translated, transmitted, or reduced to any printed or electronic medium or to any machine-readable form, for any purpose, in whole or in part, without the written consent of WhisperKOOL.

Every effort has been made to ensure that the information in this manual is accurate. WhisperKOOL is not responsible for printing or clerical errors.

WhisperKOOL reserves the right to make corrections or improvements to the information provided and to the related hardware at any time, without notice.

Vinothèque and WhisperKOOL are registered trademarks, and ECE is a trademark of WhisperKOOL. All rights reserved.

Mention of third-party products is for informational purposes only and constitutes neither an endorsement nor a recommendation. WhisperKOOL assumes no liability with regard to the performance or use of these products.

Table Of Contents

| | |
|---|---------|
| Introduction..... | Page 2 |
| Before You Start | Page 3 |
| Preparing The Wine Cellar..... | Page 4 |
| Receiving & Inspecting The System..... | Page 6 |
| Quick Reference Guide..... | Page 7 |
| Knockout Locations..... | Page 8 |
| Liquid-Measuring Thermostat System(Bottle Probe)-KDT..... | Page 9 |
| Items To Route Before Installing The Evaporator Unit-KDT..... | Page 10 |
| 24V Thermostat Conversion Kit Wiring Instructions..... | Page 11 |
| Selecting Mounting Options..... | Page 12 |
| Mounting The Evaporator Unit..... | Page 13 |
| Preparing The Evaporator Unit..... | Page 14 |
| Installing The Evaporator Unit..... | Page 15 |
| Connecting The Lineset..... | Page 16 |
| Insulation Blanket Installation..... | Page 18 |
| Drain Line..... | Page 20 |
| Wall Mount Bracket Installation..... | Page 21 |
| Flush Mount Bracket Installation..... | Page 24 |
| Evaporator Unit Wiring Diagram – KDT..... | Page 27 |
| Evaporator Unit Wiring Diagram – 24V..... | Page 28 |
| Condensing Unit Wiring Diagram..... | Page 29 |
| Line Set Piping Diagram..... | Page 30 |
| Preparing The Condensing Unit..... | Page 31 |
| Condensing Unit Wiring..... | Page 32 |
| Installing The Condensing Unit..... | Page 33 |
| Display Layout And Specifications..... | Page 38 |
| Filter..... | Page 39 |
| Controller Functions..... | Page 40 |
| Icon Glossary..... | Page 41 |
| Alarm Codes..... | Page 42 |
| User Menu..... | Page 43 |
| Troubleshooting Guide..... | Page 44 |
| System Operation – KDT..... | Page 46 |
| System Operation – 24V..... | Page 47 |
| Maintenance Schedule..... | Page 48 |
| Technical Assistance..... | Page 49 |
| Warranty Information..... | Page 50 |
| Warranty Registration..... | Page 54 |

INTRODUCTION

Customer Service

Thank you for purchasing a WhisperKOOL cooling system. We strive to provide the highest-quality products and the best possible customer service. If you have any questions about your system, please contact us at Support@WhisperKOOL.com or visit WhisperKOOL.com/ticket.

Using the Manual

This manual is intended to assist in the proper maintenance and installation of the cooling system. In order to ensure the longevity of your cooling unit, the equipment should be installed as outlined. It is also vital to establish a proper care and maintenance schedule. Please read and review this manual carefully and keep it for future reference.

What is the WhisperKOOL Cooling System?

The WhisperKOOL cooling system is a specialized refrigeration system designed for one purpose only: to maintain the optimal temperature and humidity levels conducive to the proper storage and aging of fine wines. This system produces minimal in-cellar noise and has the most lenient exhaust requirements.

How Does the Cooling System Work?

Similar to the air conditioning systems used for homes, the evaporator unit (fan coil unit) and condensing units are installed in separate locations. The units are connected by a refrigerant line set and communication cable. The evaporator portion is commonly installed in the wine cellar, with the condensing unit is located either outside or in a remote indoor location that is properly ventilated.

Temperature Setting

The system is designed to maintain a cellar temperature of 55°F as long as the ambient temperature does not exceed 120°F.

BEFORE YOU START

1. **Inspect all components prior to installation.** If damage or missing components are found, please notify WhisperKOOL Customer Service at [WhisperKOOL.com/ticket](https://www.whisperkool.com/ticket) within 30 days.
2. The evaporator unit **requires a dedicated 120V, 15-amp circuit.** A surge protector is recommended to use with the unit. **Do not use a GFI outlet or breaker.**
3. The condensing unit **requires a dedicated 220V, 15-amp circuit.** A surge protector is recommended to use with the unit. **Do not use a GFI outlet or breaker.**
4. Communication cable (18-5 thermostat wire) must be ran between the condensing unit and the evaporator unit. Only 2 of the communication wires will be used. For 24V thermostat equipped systems an 18-5 cable must be used to connect the thermostat to the evaporator unit.
5. You are **REQUIRED** to **install a drain line** to remove condensation from the evaporator unit (fan coil unit).
6. ***The warranty is not active until a warranty checklist has been received, reviewed, and approved.***
7. The system is intended **for use in properly designed and constructed wine cellars.** Hire a professional wine storage consultant with a valid contractor's license to build your wine cellar.
8. WhisperKOOL requires that all split systems be installed by a certified HVAC-R technician only. NATE or equivalent is recommended.

If you encounter a problem with your WhisperKOOL system, please refer to the Troubleshooting Guide. If you have any further questions or concerns, or need assistance, please contact WhisperKOOL's Customer Service at [WhisperKOOL.com/ticket](https://www.whisperkool.com/ticket). Please be sure all testing has been completed prior to contacting Customer Service. Please have your results ready for your representative.

PREPARING THE WINE CELLAR

The performance and life of your system is contingent upon the steps you take in preparing the wine cellar. Improperly preparing your enclosure or incorrectly installing your unit may cause unit failure, leaking of condensation, and other negative side effects.



It is highly recommended that you obtain the assistance of a wine storage professional.

Wine storage professionals work with licensed contractors, refrigeration technicians, and racking companies to build well-insulated, beautiful, and protective wine cellars. We have put together some useful tips to assist in the installation process. Our recommendations are meant to act as a guide in the process of building a proper enclosure. Your intended location may have specific needs which we do not address.

Wall & Ceiling Framing

Build wine cellar walls using standard 2x4 or 2x6 boards and ceiling joists without violating local or state codes in your area. As a general rule, the thicker the walls and the higher the insulation value, the more consistent your cellar temperature will be.

Insulation

Insulation is **REQUIRED** in order to properly use our products. It is vital that all walls and ceilings be insulated to keep the cellar temperature as consistent as possible during the summer and winter months. Standard fiberglass or rigid foam insulation is normally used in cellar construction; in some cases, “blown-in” insulation is used. The R-value, or quality of insulation, is determined by the rate at which heat passes through the insulation. The higher the R-value, the more resistant the insulation is to conducting heat, and the more consistent your wine cellar’s temperature will be. Using higher R-values in insulation will lower your operating costs and unit run time. (R-13 is the recommended minimum; R-19 is preferred for interior cellar walls, and R-30 for ceilings and exterior walls.)

Vapor Barrier

Water vapor creates its own pressure, separate from the ambient air pressure, and will intrude into colder/drier areas. A vapor barrier is **REQUIRED** in order to prevent the intrusion of water vapor and maintain the correct cellar temperature and humidity. It is recommended that 6-millimeter plastic sheeting be applied to the warm side of the cellar walls. The vapor barrier must also be applied to the outside walls and ceiling. If it is impossible to reach the outside, then the plastic must be applied from within the cellar. The most common method is to wrap the entire interior, leaving the plastic loose in the stud cavity so the insulation can be placed between each stud. All of the walls and ceiling must be wrapped in plastic for a complete vapor barrier.

In areas of high humidity, such as Southern and Gulf States, the vapor barrier will prevent infiltration of warm moist air. The moist air can cause mold to form, and standing water in drain pans promote microbial and fungal growth that cause unpleasant odors and indoor air quality problems. If mold is found, remove it immediately and sanitize that portion of the unit.

Note: High humidity significantly increases the heat load on the cooling system.

Any break in the vapor barriers (cut, nail hole, over-lapping, etc.) will cause a moisture leak and must be sealed. The electric conduit is a “duct” for vapor to travel in. The conduit should be caulked and sealed on the warm air end.

PREPARING THE WINE CELLAR, CONTINUED



Unobstructed Airflow

Unobstructed airflow to and from the system is critical for the evaporator unit and condensing units overall performance and lifespan. A minimum of 3 feet of clearance (5 feet is ideal) on all sides is crucial. The air the fans blow needs to circulate and either dissipate or absorb heat from the space. The more air to exchange, the more efficient the system will operate.

Note: Avoid attempting to camouflage the unit. This will restrict airflow and thus the systems ability to work efficiently.

Door and Door Seal

An exterior grade (1¾") door must be installed as a cellar door. It is essential that weather stripping is attached to all 4 sides of the doorjamb. A bottom "sweep" or threshold is also required. The door must have a very good vapor seal to prevent warmer moist air from leaking into the cellar. One of the most common problems with cooling systems running continually is due to the door not sealing properly. **In cases where glass doors are used and the room size is close to the recommended system size, the next larger size system should be used.** This will compensate for the insulation loss due to the lower insulating rating of glass.

Ventilation

The necessity of dissipating heat away from the condensing unit is critical to the unit's performance and cannot be overstated. As the system operates and cools, a greater amount of heat is generated on the condensing side of the system. Adequate ventilation is required in order to dissipate heat away from the condensing unit. If ventilation is inadequate, the exhaust will heat up the area or room and adversely affect the system's ability to cool. Avoid installing the condenser in a closet or other small rooms and spaces. This will cause the system to overheat and void the warranty.

Note: If you are unsure about having adequate ventilation in your install location, please contact us to assess your specific installation

Ambient Temperature Factor

The cooling system has the ability to cool a wine cellar efficiently to 55°F as long as the ambient temperature of the area that it is exhausting to does not exceed 120°F. Therefore, you want to exhaust the condensing unit in a space which will not exceed 120°F. Otherwise the system will not have the capacity to keep the wine at a desirable 55°F.



WARNING! Allowing your system to operate in temperatures of 120° or above for extended periods of time will greatly decrease the life of your system and void your warranty. The cooler the temperature of the air entering the condenser coil, the more cooling capacity the system has. The less heat gain through the common wall, the less the electricity consumption.



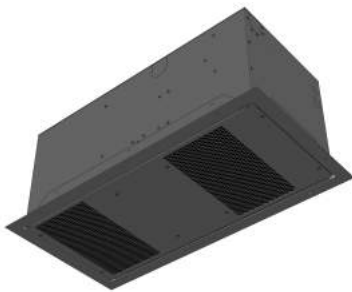
RECEIVING & INSPECTING THE SYSTEM

- Use caution when lifting and check package for damage.
- Lift only at the designated hand-hold locations on the shipping container, or fully support the unit from underneath. A shipment may include one or more boxes containing accessories.
- Before opening the container, inspect the packaging for any obvious signs of damage or mishandling.
- Write any discrepancy or visual damage on the bill of lading before signing.
- Allow the condensing unit to sit for 24 hours prior to start-up. The condensing unit can be placed in the installation location, piped and evacuated during this time.
- Review the packing slip to verify contents.
- Check the model number to ensure it is correct.
- Check that all factory options ordered are listed.

If any items listed on the packing slip do not match your order information, contact WhisperKOOL Customer Service immediately.

Check all shipped boxes for the following contents:

Evaporator Unit Box



(1) Mini Ceiling Mount evaporator unit

Documentation bag:

- (2) Mini Ceiling Mount H.E. owner's and installation manual
- (3) R-134a H.E. split system warranty checklist

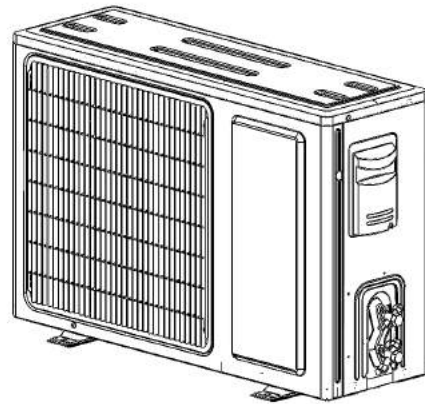
Accessory kit bag:

- Evaporator installation hardware bag (KDT and 24V unit)

KDT unit only

- Stainless steel probe (50 feet)
- KDT Plus display cable (50 feet)
- KDT Plus wall mount bracket assembly
- KDT Plus flush mount bracket assembly
- KDT Plus display assembly
- Flush mount template
- KDT Plus hardware bag

Condensing Unit Box



(1) Mini Ceiling Mount condensing unit

Evaporator installation hardware bag:

- (12) 2-1/2" Phillips wood screws
- (12) #8 3/8" Phillips pan-head screws
- (1) 1/2" Conduit Clamp Connector
- (1) 1/4" barbed coupling

KDT Plus hardware bag:

- (1) 11/16" OD grommet
- (2) 1/2" nylon hole plug
- (4) #6 x 1" Phillips zinc Type A screw
- (4) 8-10 x 7/8" blue plastic screw anchor

Mini Ceiling Mount insulation blanket bag:

- Mini Ceiling Mount insulation blanket

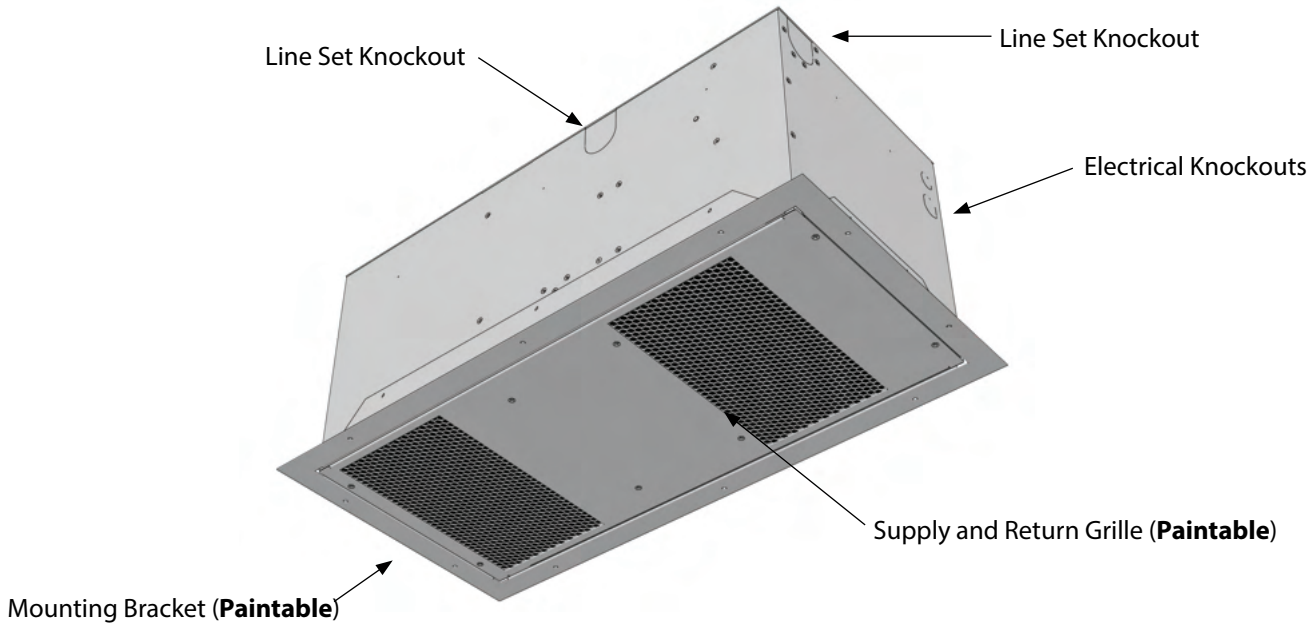
Single-piece mounting bracket

Please leave the unit in its original box until you are ready for installation. This will allow you to move the product safely without damaging it. When you are ready to remove the product from the box, refer to the installation instructions.

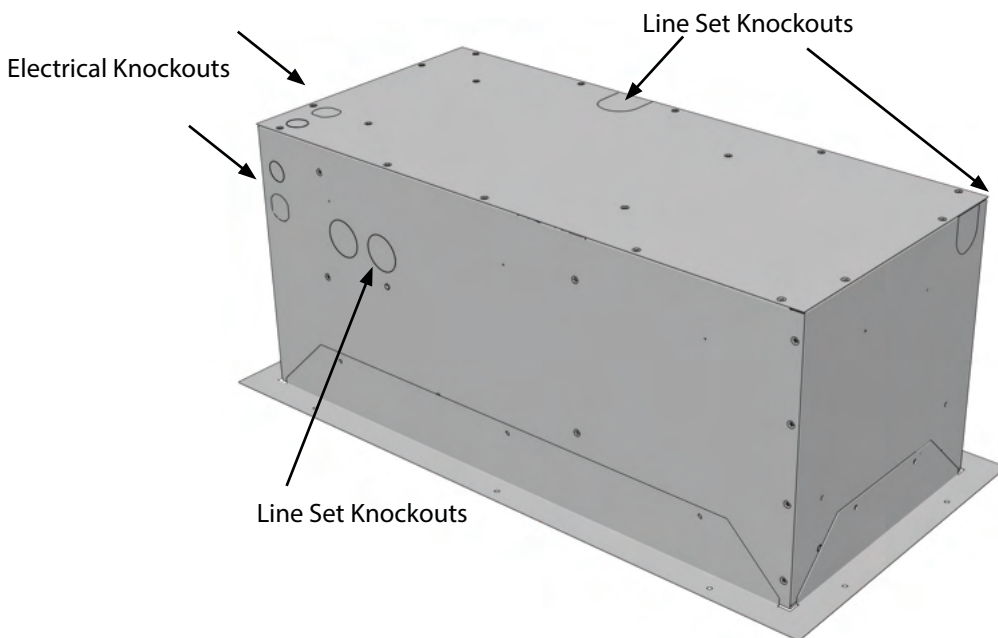
TIP: Save your box and all packaging materials. They provide the only safe means of transporting/shipping the unit.

QUICK REFERENCE GUIDE

Bottom View

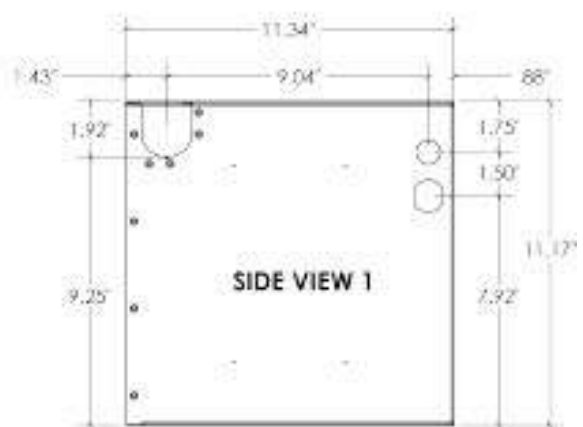
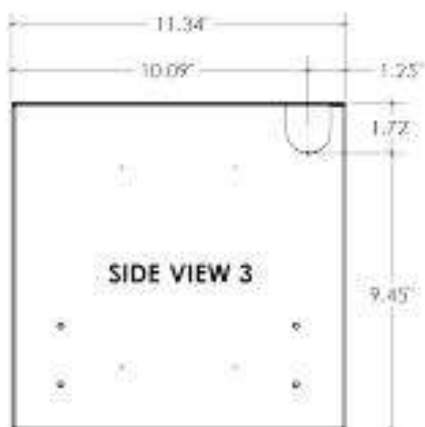
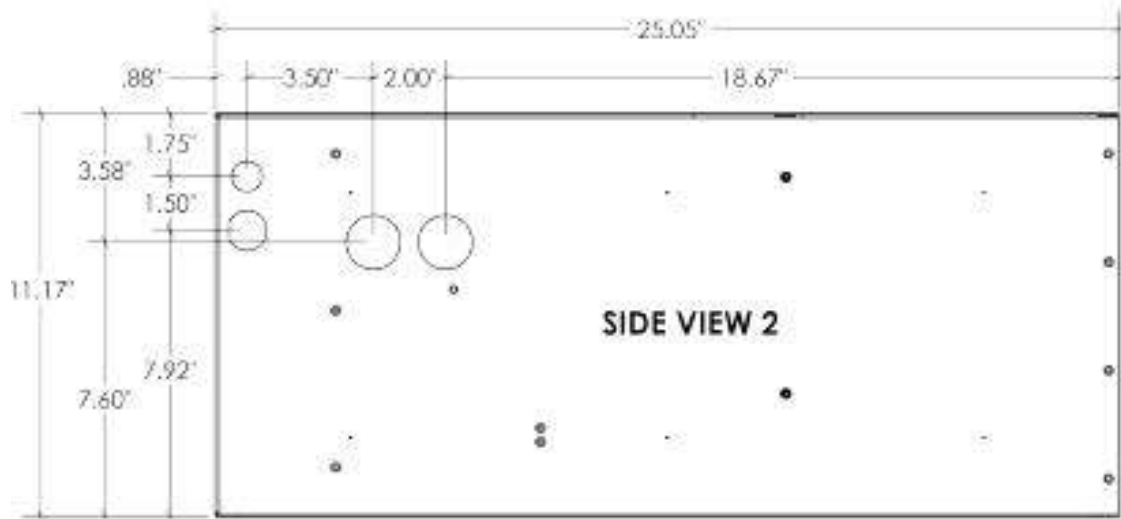
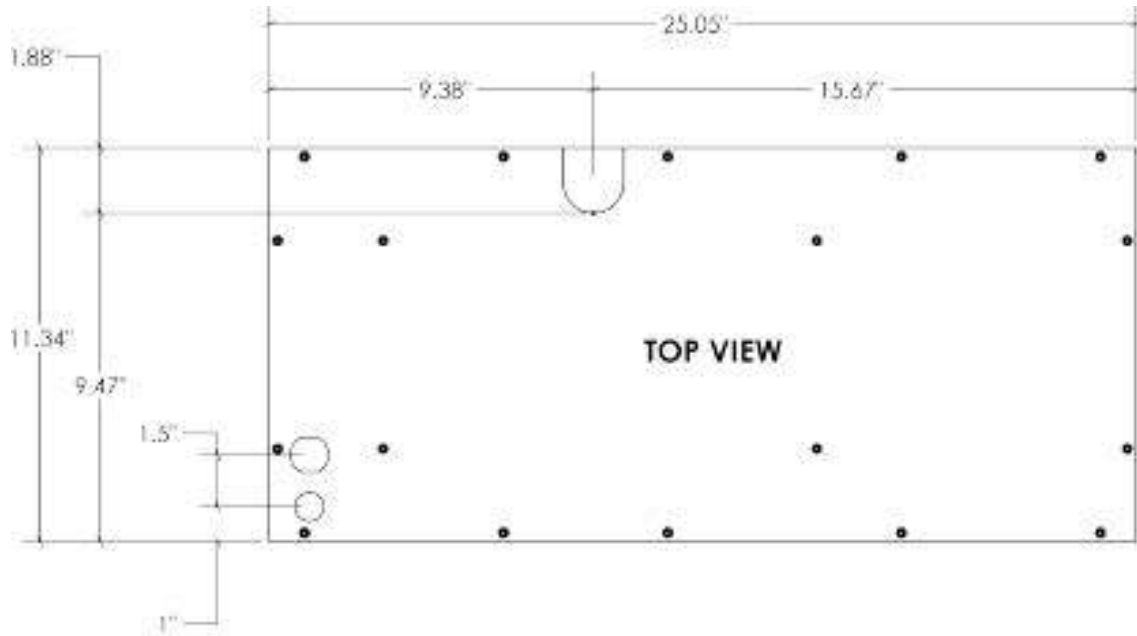


Top View



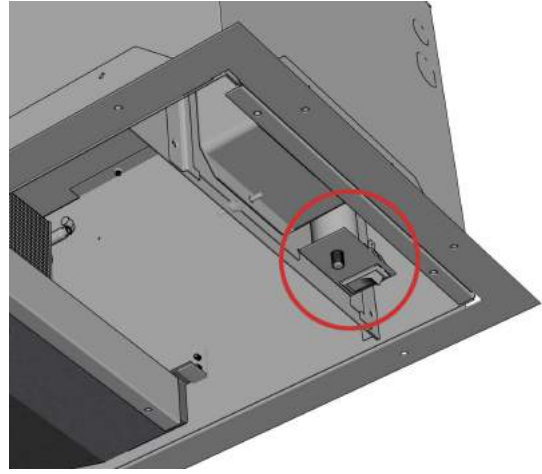
Note: The unit comes in black. The mounting bracket and front grille are paintable, enabling you to match your desired color.

KNOCKOUT LOCATIONS



Fan Speed Switch

The cooling system comes equipped with a variable fan speed switch. Increasing the fan speed increases the volume of cool air blown from the system. It is set by the factory to LOW. To access the fan speed switch it is necessary to remove the front grille.



LIQUID-MEASURING THERMOSTAT SYSTEM (BOTTLE PROBE) - KDT

Our cooling units come with a liquid-temperature-measuring thermostat. The self-calibrating probe contains a sensor chip, which communicates back and forth with the thermostat. This results in a consistent temperature setting and accuracy. Wine should be kept at a very precise, controlled temperature and humidity.

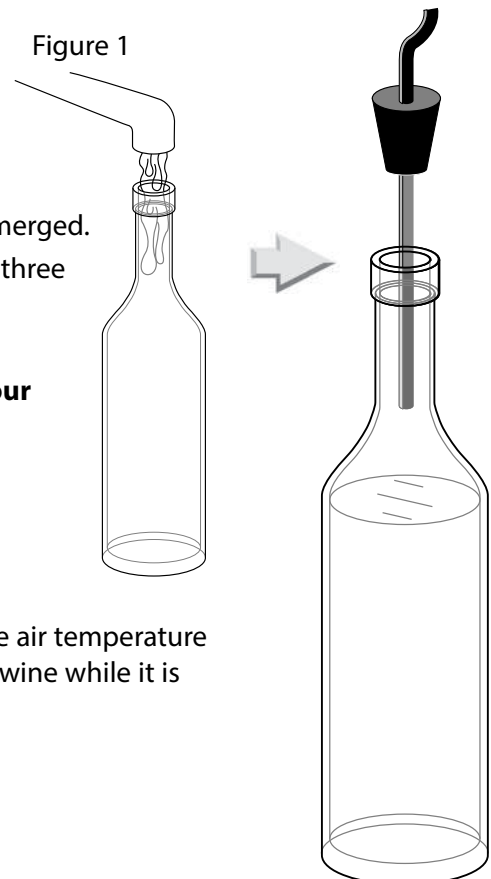
Setting up the Bottle Probe:

1. Locate an empty wine bottle.
2. Fill it 75% full with room-temperature tap water.
3. Place bottle probe securely into bottle as seen in Figure 1.
4. Place the wine bottle in your wine cellar. Ensure sensor tip is fully submerged.
5. To ensure a consistent temperature, place bottle probe approximately three (3) feet away from the air output and not in the flow of the air.

It is recommended that the bottle be placed in a central location of your wine cellar. Avoid pulling too much on the probe cord. It may become disconnected resulting in limited functionality of the unit.

Note: The thermostat can be set between 50–70°F.

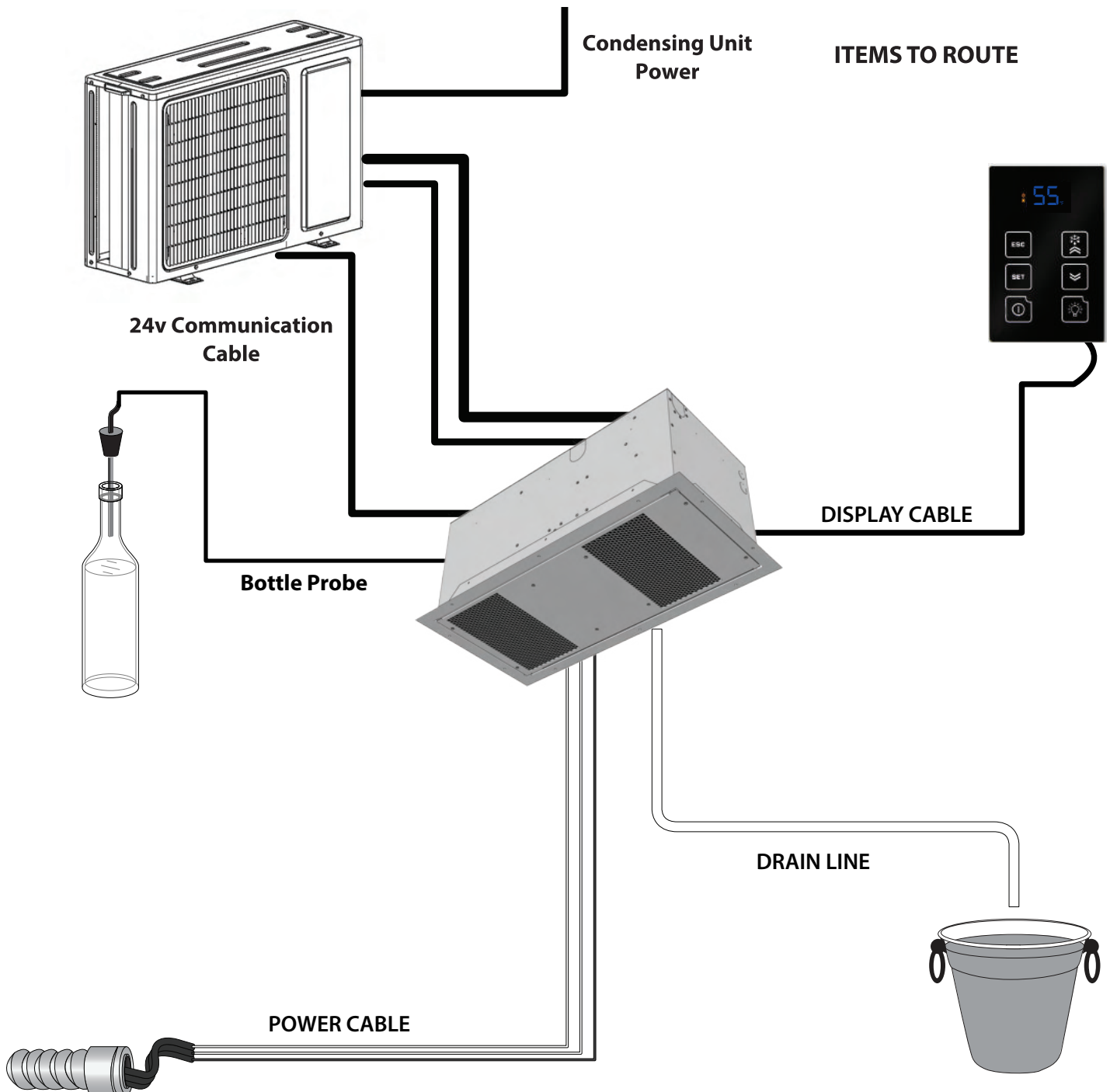
Remember: The unit operates based on the temperature of the water. Do not be misled by thermostats reading air temperature. The air temperature in the cellar will be cooler than the liquid temperature of the wine while it is reaching the optimum balanced temperature.



ITEMS TO ROUTE BEFORE INSTALLING THE EVAPORATOR UNIT

Routing Instructions:

1. Route the line set from the condensing unit to the desired evaporator unit installation location.
2. Route the display cable from the desired location to the evaporator unit installation location .
3. Route the bottle probe cable from the desired thermostat bottle location to the evaporator unit installation location.
4. Route the drain line from a proper discharge location to the evaporator unit installation location.
5. Route the power cable wiring to the evaporator unit installation location.



24V THERMOSTAT KIT WIRING INSTRUCTIONS

The 24V thermostat conversion kit requires a standard 18-5 thermostat wire to be run from the evaporator unit to the thermostat. The white wire will not be used, as there is no heating function. (Some thermostats need a common wire and some do not; the unit is equipped with a common wire if needed.) 18-5 thermostat wire (communication cable) must be run between the evaporator unit and the condensing unit.

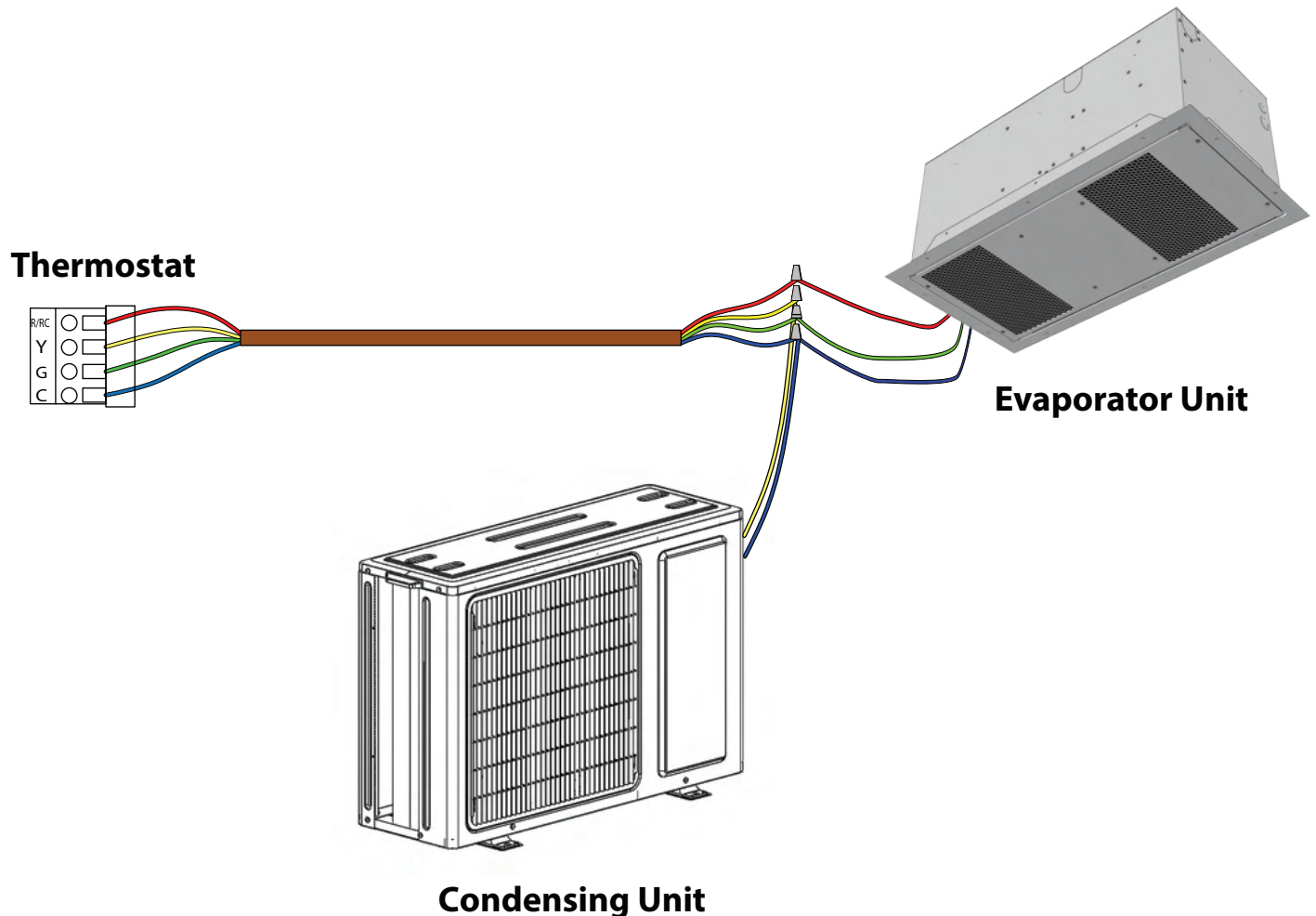
24V Wiring Connections (Evaporator)

1. Route a standard 18-5 thermostat wire into the evaporator unit.
2. Locate the wire thermostat connection cable inside of the evaporator unit.
3. Connect the wires according to color (red to red, green to green, and blue to blue). Note: The evaporator unit will not contain a yellow wire. See next step for more information on Yellow wire.
4. Connect one wire from the 18-5 thermostat wire to the low-voltage yellow wire (1). Then connect the other 18-5 wire to the blue low-voltage wires (2). The other three wires will not be used.

Thermostat Wiring Connections

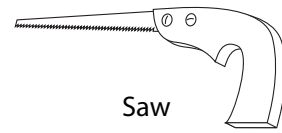
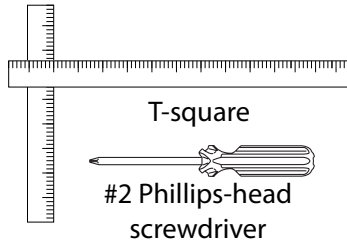
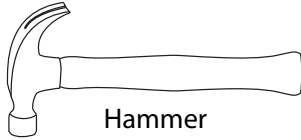
Follow the thermostat installation instructions. **NOTE:** The white wire will not be used, as there is no heating function.

NOTE: To ensure correct system operation, the 24V thermostat must be placed inside the wine cellar, preferably in a central location away from any airflow.

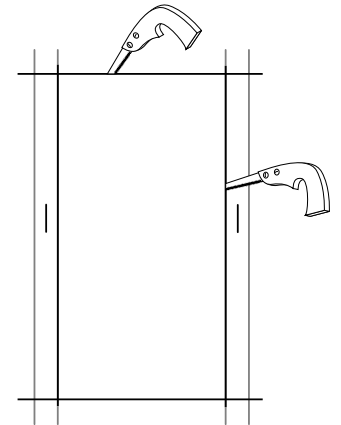
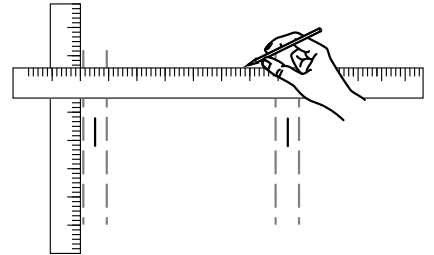


SELECTING MOUNTING OPTION

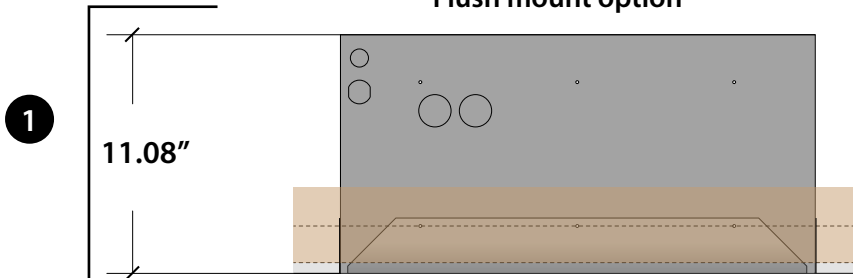
Minimum Tools Needed:



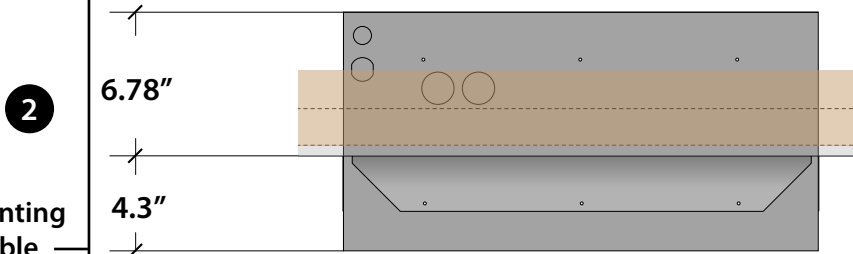
1. Locate the desired installation location. Using a stud finder, locate the ceiling joists on either side of the center point. Cut and frame an opening in the ceiling measuring 12" x 25.75". Make sure the framing is sufficient to support the weight of the cooling unit. Use only the mounting locations provided. These locations ensure that the installer will not drill into any vital components within the system.
2. Determine which orientation the evaporator unit will be installed in (inside the cellar or with attic access). Mounting options are listed below:



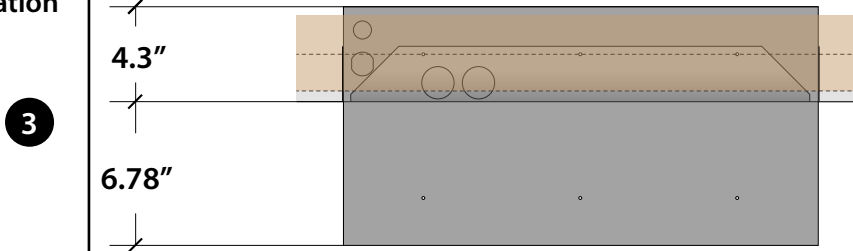
Flush mount option



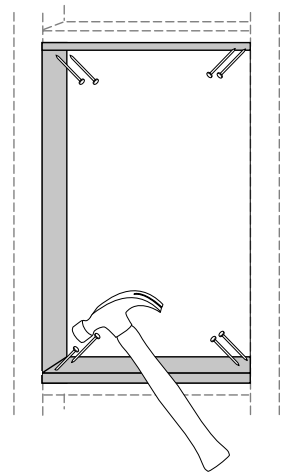
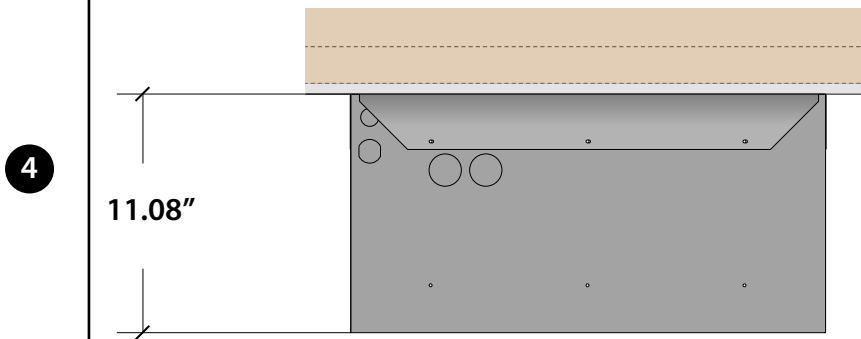
Partially recessed mounting option



Choose a mounting option suitable for the installation location.



Fully exposed mounting option

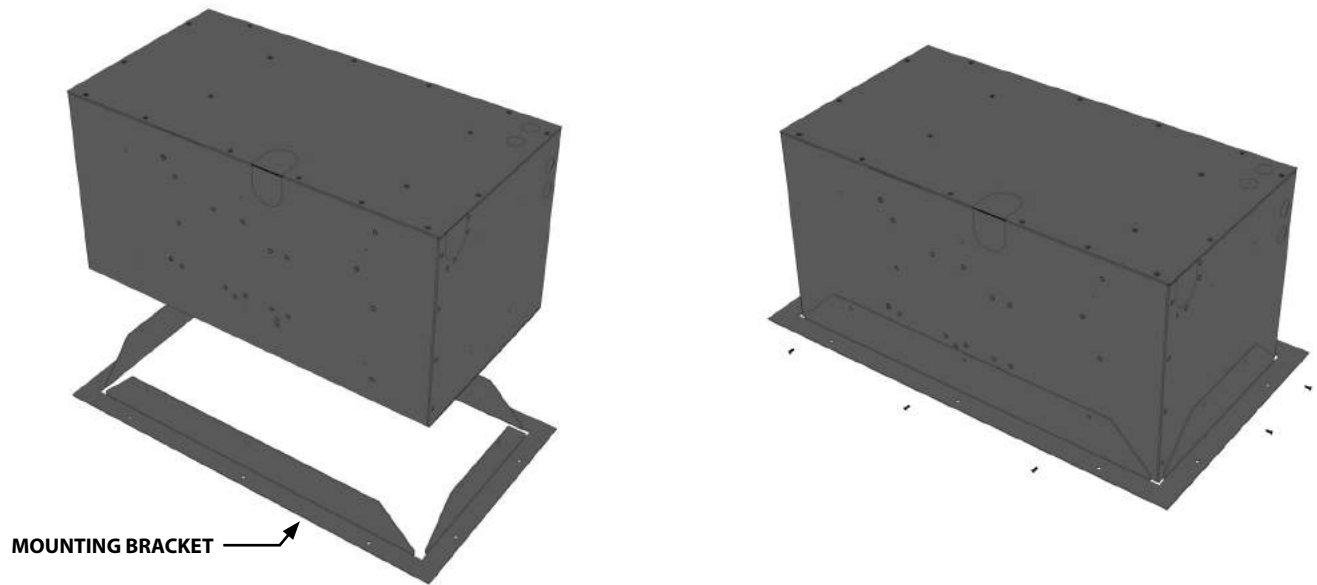


MOUNTING THE EVAPORATOR UNIT

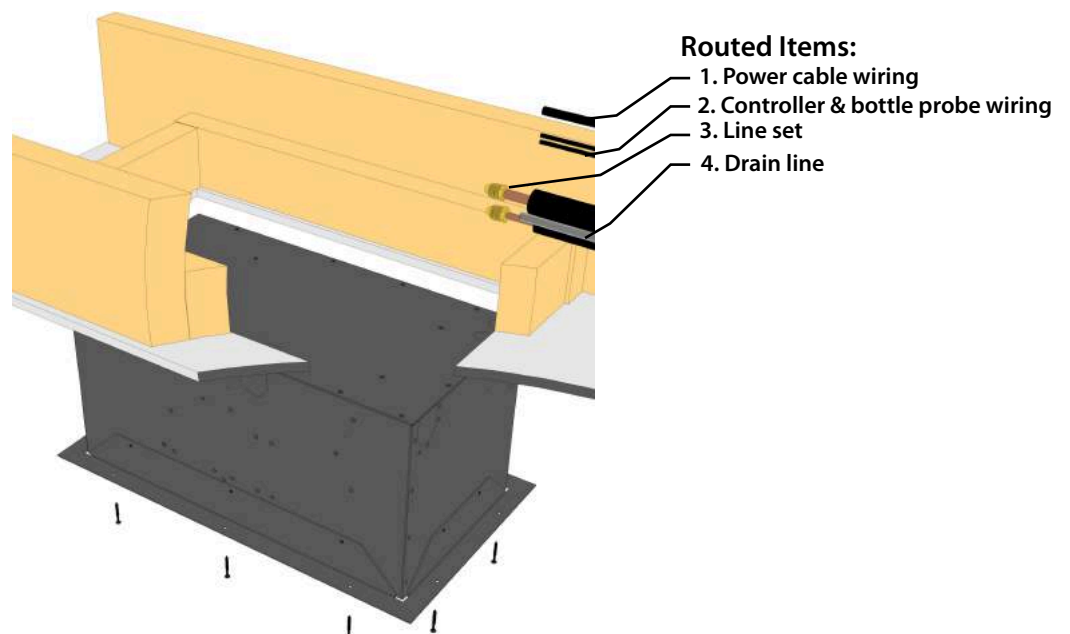
NOTE: If installing the unit without attic access, perform steps 5-24 prior to steps 3-4.

- Secure the mounting bracket to the unit using the twelve (12) supplied $\frac{3}{8}$ " Phillips pan-head screws.

NOTE: You are **REQUIRED** to use only the mounting locations provided. These locations ensure that the installer will not drill into any copper or electrical wiring within the system.

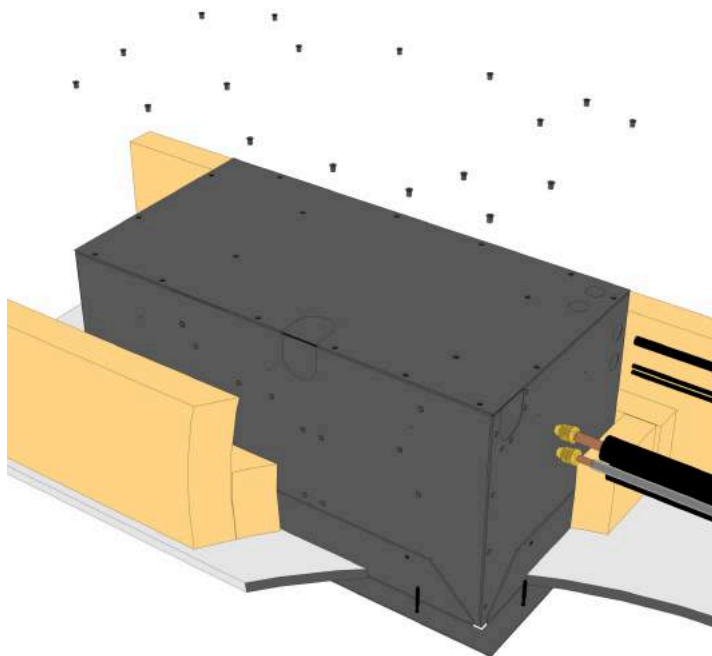


- Secure the unit's mounting bracket to the opening using the twelve (12) supplied 2½" Phillips-head screws.

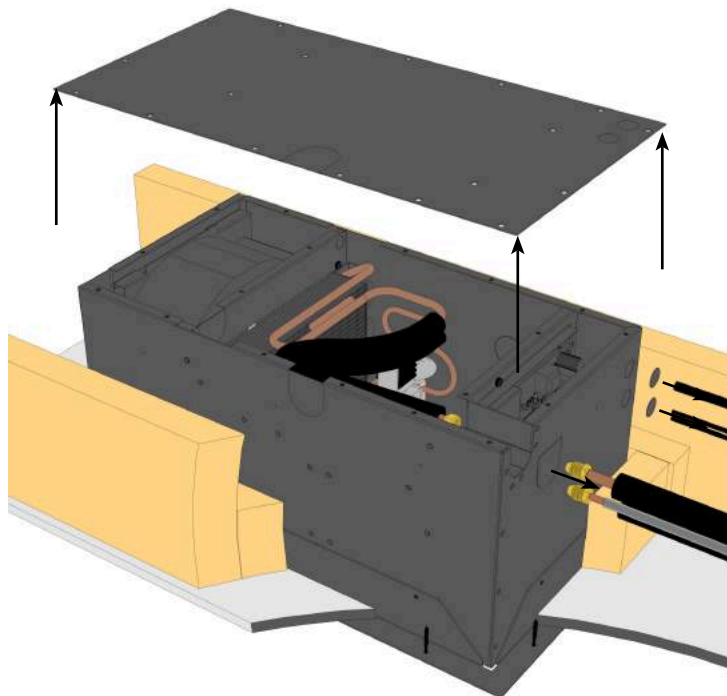


EVAPORATOR UNIT PREPARATION

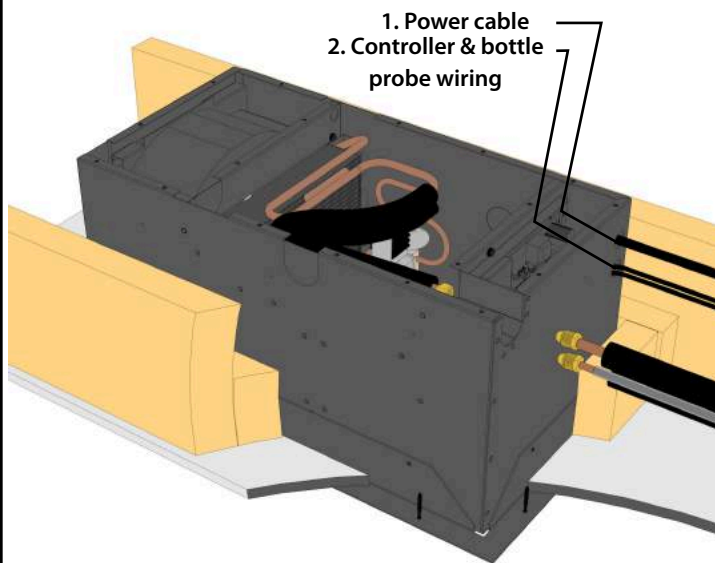
5. Unscrew the sixteen (16) screws and remove the top access panel.



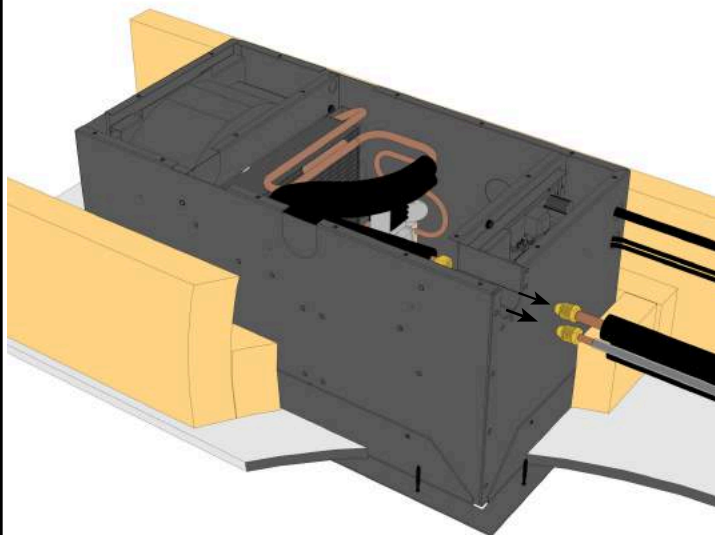
6. Remove the knockout(s) that you will be using to route the line set, power wires, display cable, bottle probe, and drain line.



1. Power cable
2. Controller & bottle probe wiring

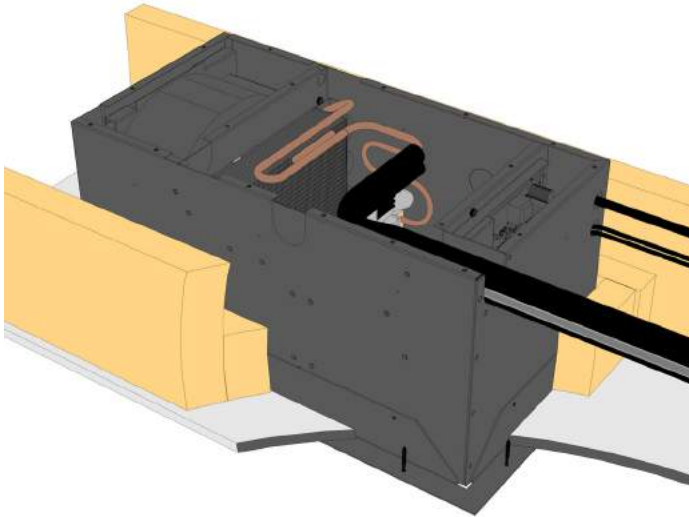


7. Connect the line set according to the line set installation instructions

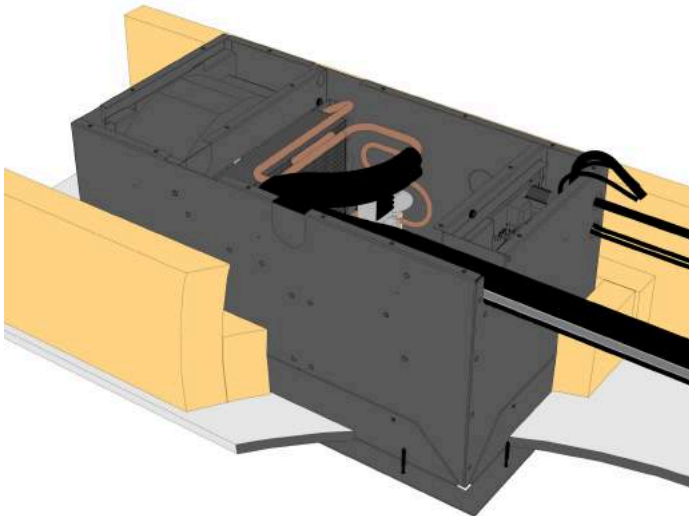


INSTALLING THE EVAPORATOR UNIT

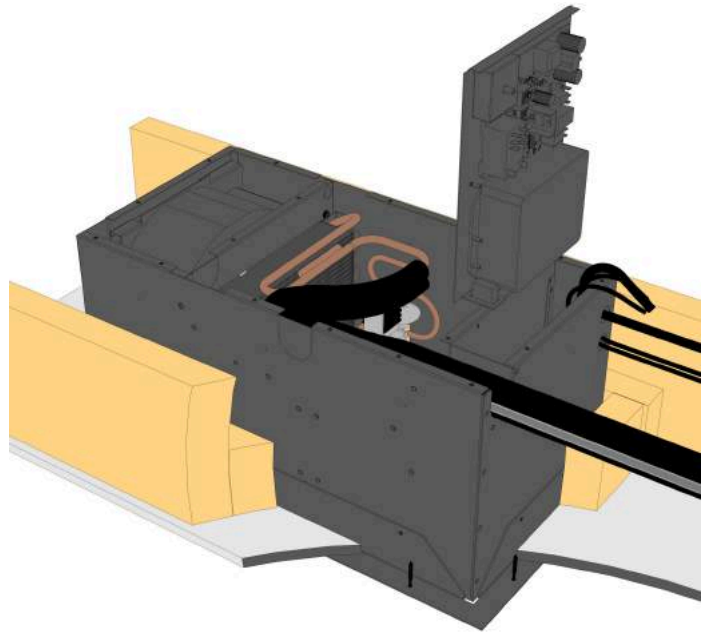
- 8. Insulate the suction line using Armaflex or similar insulation.
- 9. Route the drain line out of the evaporator unit with the line set. Connect using the supplied 1/4" barb coupling.



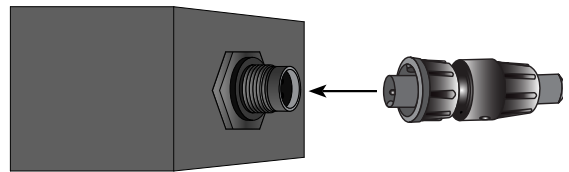
- 10. Route the power wire, bottle probe, and display cable into the unit.



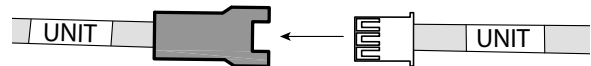
- 11. Slide the electrical panel up and out of the unit.



- 12. Connect the green wire to the green wire, the black wire to the black wire, and the white wire to the white wire.
- 13. Connect the end of the bottle probe cable to the circular connector on the exterior of the electrical box.



- 14. Connect the end of the display cable labeled "UNIT" to the wire labeled "UNIT" coming from the electrical box.



- 15. Slide the electrical panel back into the evaporator unit.
- 16. Reinstall the top access panel and fasten the sixteen (16) screws into place.

NOTE: The unit comes in black. The mounting bracket and front grille are paintable, enabling you to match your desired color.

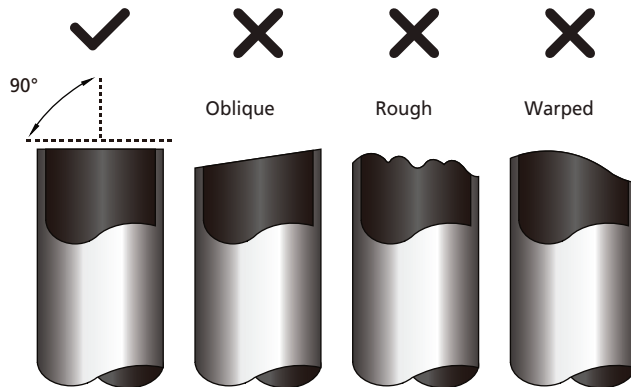
CONNECTING THE LINESET

Connect the refrigerant piping according to these instructions

1. Cut the pipes

When cutting the pipes make sure to take extra care and cut and flare them properly. This will ensure a proper connection and minimize the need for maintenance

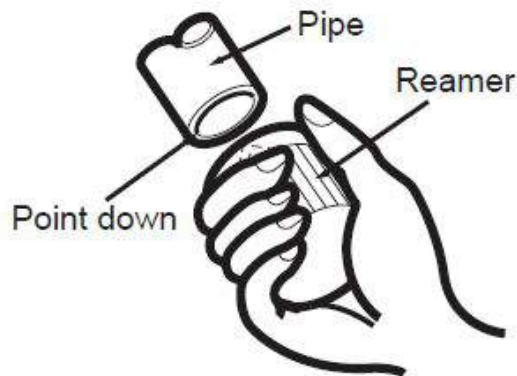
- Measure the distance between the indoor and outdoor units
- Using a pipe cutter, cut the pipe a little bit longer than the measured distance
- Make sure that the pipe is cut at a perfect 90° angle. Refer to the example



2. Remove Burrs

Burrs can affect the air tight seal of refrigerant piping connection. They must be completely removed

- Hold the pipe at a downward angle to prevent burrs from falling into the pipe
- Using a reamer or deburring tool, remove all burrs from the cut section of the pipe



3. Flare pipe ends

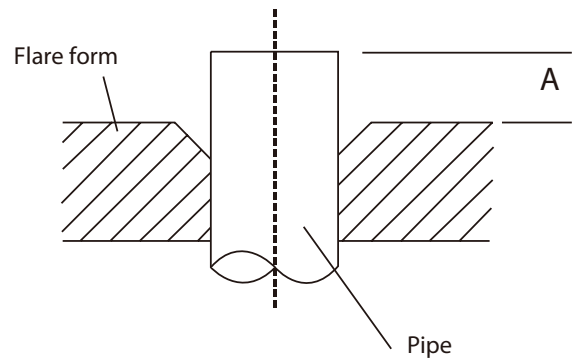
Proper flaring is essential to achieve an airtight seal

- After Removing burrs from cut pipe, seal the ends with PVC tape to prevent foreign materials from entering the pipe
- Sheath the pipe with insulating material
- Place flare nuts on both ends of pipe. (Flare nuts provided with lineset.) Make sure they are facing the right direction. After flaring the pipe the nuts will not be removable. Remove PVC tape ends of pipe when ready to perform flare work
- Clamp flare form on end of pipe must extend beyond the edge of the flare form in accordance with the dimensions in the table below

CONNECTING THE LINESET, CONTINUED

PIPING EXTENSION BEYOND FLARE FORM

| Outer Diameter of Pipe (in) | A (in.) | |
|-----------------------------|---------|--------|
| | Min. | Max. |
| Ø 1/4" | 0.0275" | 0.05" |
| Ø 3/8" | 0.04" | 0.063" |
| Ø 1/2" | 0.04" | 0.07" |
| Ø 5/8" | 0.078" | 0.086" |
| Ø 3/4" | 0.078" | 0.094" |

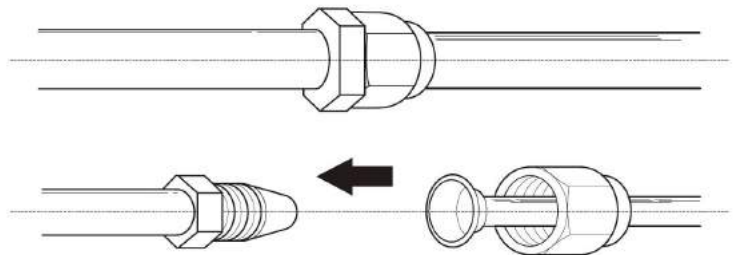


- e. Place flaring tool onto form
- f. Turn the handle of the flaring tool clockwise until the pipe is fully flared
- g. Remove the flaring tool and flare form, then inspect the ends for any cracks and make sure the flaring is even.

4. Connect pipes

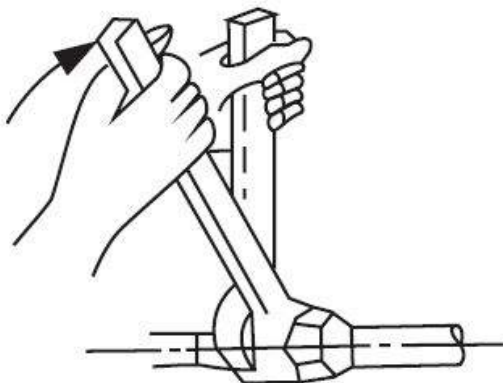
When connecting refrigerant pipes, be careful not to use any excessive torque or to deform the piping in any way. You should first connect the low-pressure pipe, then the high pressure pipe. It is recommended to use a CFC and HCFC compatible thread sealant on all threaded pipe connections.

- a. Align the center of the two pipes that will be connected. To prevent gas leakage, apply refrigeration oil only to the inner surface of the flare. Use torque wrenches when tightening the flare nuts to prevent damage to the flare nuts and gas leakage
- b. Tighten the flare nut as tight as possible by hand
- c. Using a spanner, grip the nut on the unit tubing



- d. While firmly gripping the nut on the unit tubing, use a torque wrench to tighten the flare nut according to the torque values in the Torque Requirements table below. Loosen the flaring nut slightly, then tighten again. Prior to applying recommended torque to brass flare nut, it is highly recommended a small amount of refrigeration oil be applied to the flare threads, flare sealing surface, and copper tubing flared surface to prevent galling of sealing surfaces and aid in providing a refrigerant tight seal (Use refrigeration oil for R134a). Be careful not to overtighten the connection as this may damage the flare or fitting.

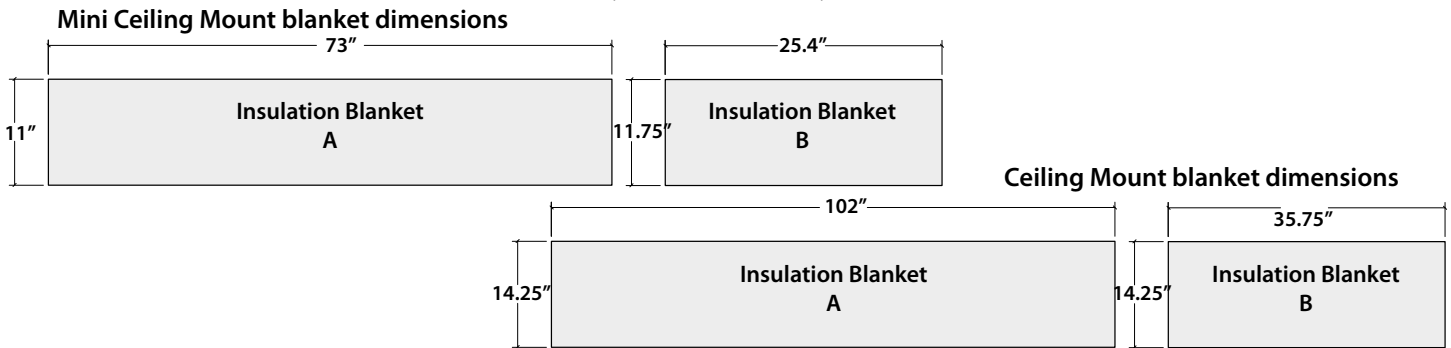
TORQUE REQUIREMENTS



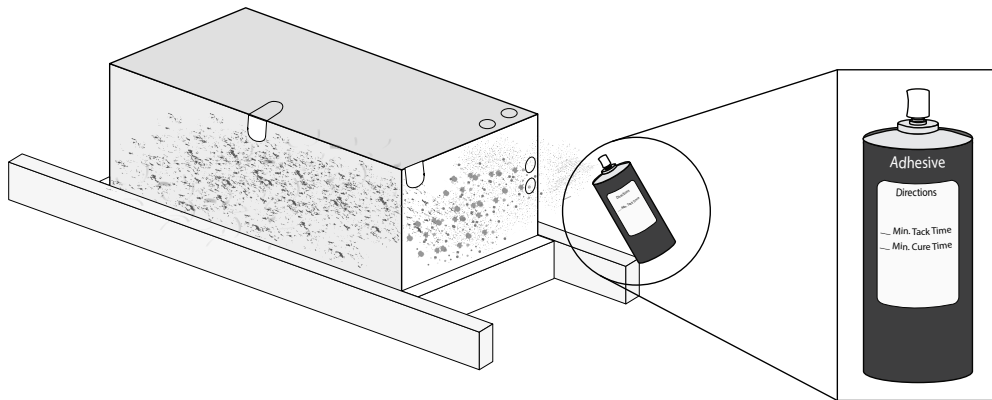
| Outer Diameter of Pipe (in.) | Tightening Torque (lb•ft) |
|------------------------------|---------------------------|
| Ø 1/4" | 11lb•ft |
| Ø 3/8" | 18.4lb•ft |
| Ø 1/2" | 25.8lb•ft |
| Ø 5/8" | 33.19lb•ft |
| Ø 3/4" | 47.94lb•ft |

INSULATION BLANKET INSTALLATION

*Tools required: spray adhesive, utility knife, foil tape

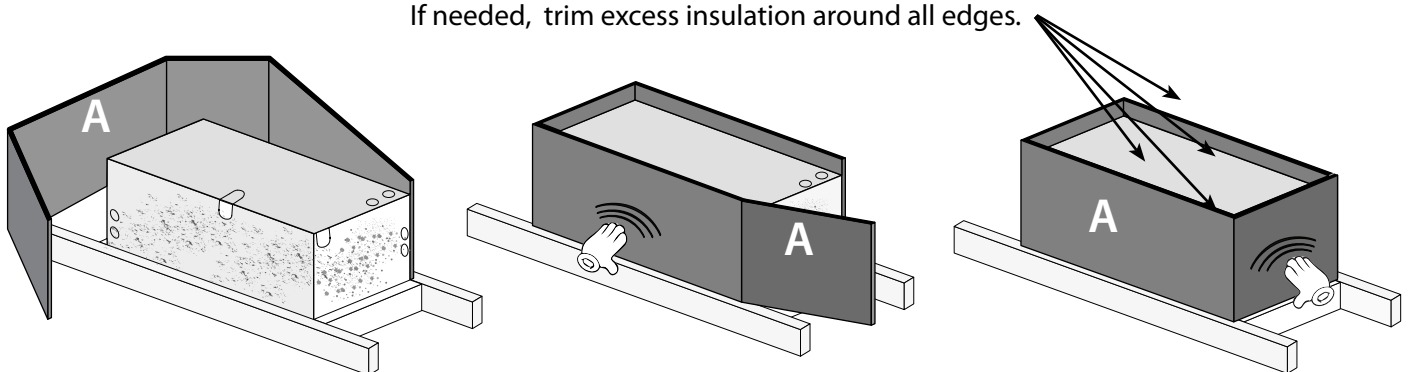


1. Once mounting bracket location has been selected and installed, proceed to the insulation blanket installation.
2. Spray adhesive onto the sides of the portions of the evaporator unit and mounting bracket which protrude into the attic. See spray adhesive directions for proper tack time before proceeding to step 3 (see illustration).

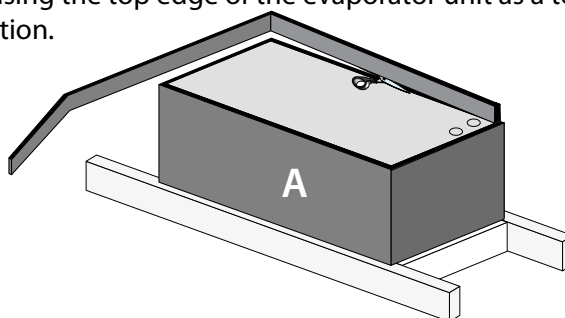


3. Wrap insulation piece (A) around the sides of the evaporator unit. Make sure the bottom edge of the insulation is flush with the top edge of the mounting bracket (see illustration).

If needed, trim excess insulation around all edges.

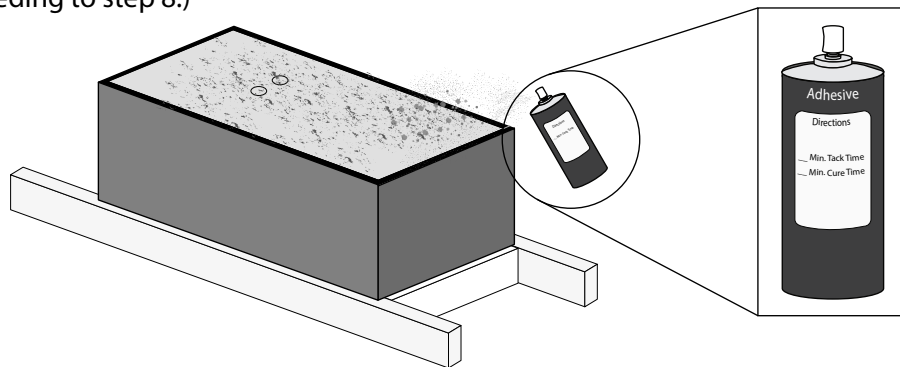


4. Set insulation in place by pressing firmly on all surfaces of the insulation that come in contact with the sides of the evaporator unit (see illustration).
5. Using a utility knife, cut holes in the insulation for the line set, wiring, and drain line if needed.
6. If necessary, cut the insulation to size using the top edge of the evaporator unit as a template. Remove excess insulation. Proceed to piece (B) installation.

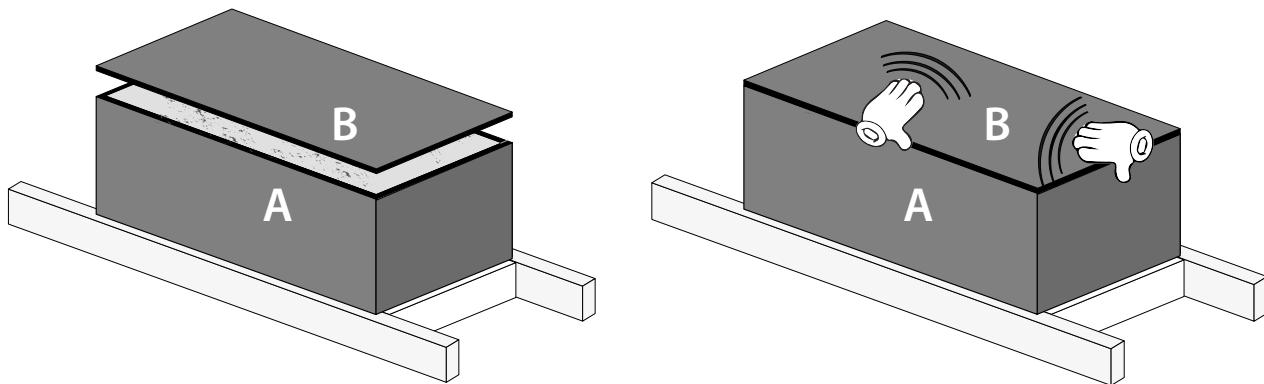


INSULATION BLANKET INSTALLATION, CONTINUED

1. Spray the top of the evaporator unit with spray adhesive. (See spray adhesive directions for proper tack time before proceeding to step 8.)

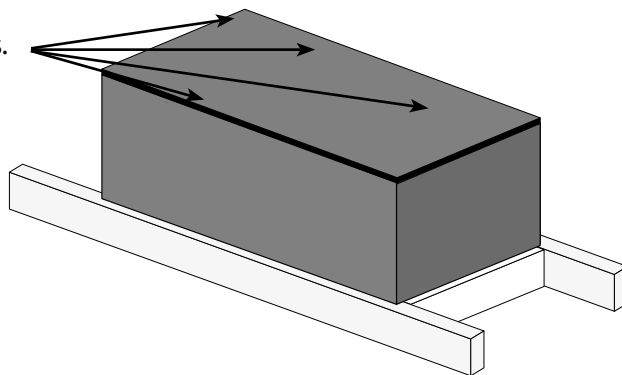


2. Set piece (B) in place by pressing firmly on all surfaces of the insulation that come in contact with the top of the evaporator unit (see illustration).



3. Using a utility knife, cut holes in the insulation for line set, wiring, and drain line if needed.

If needed, trim excess insulation around all edges.



4. Once insulation is installed, apply foil tape to all seams, covering them completely.
5. Inspect insulation for damage/defects. If damaged, repair with foil tape.
6. Apply cork tape or equivalent to areas where the line set, wiring, and drain line enter the unit.

DRAIN LINE

Condensation Drain Line

The condensation drain line tube is used to remove excess condensation from the unit to a proper discharge location. It is important that the drain line tube is properly connected.

Failure to use the condensation drain line tube will void the warranty on the unit.

Drain Line

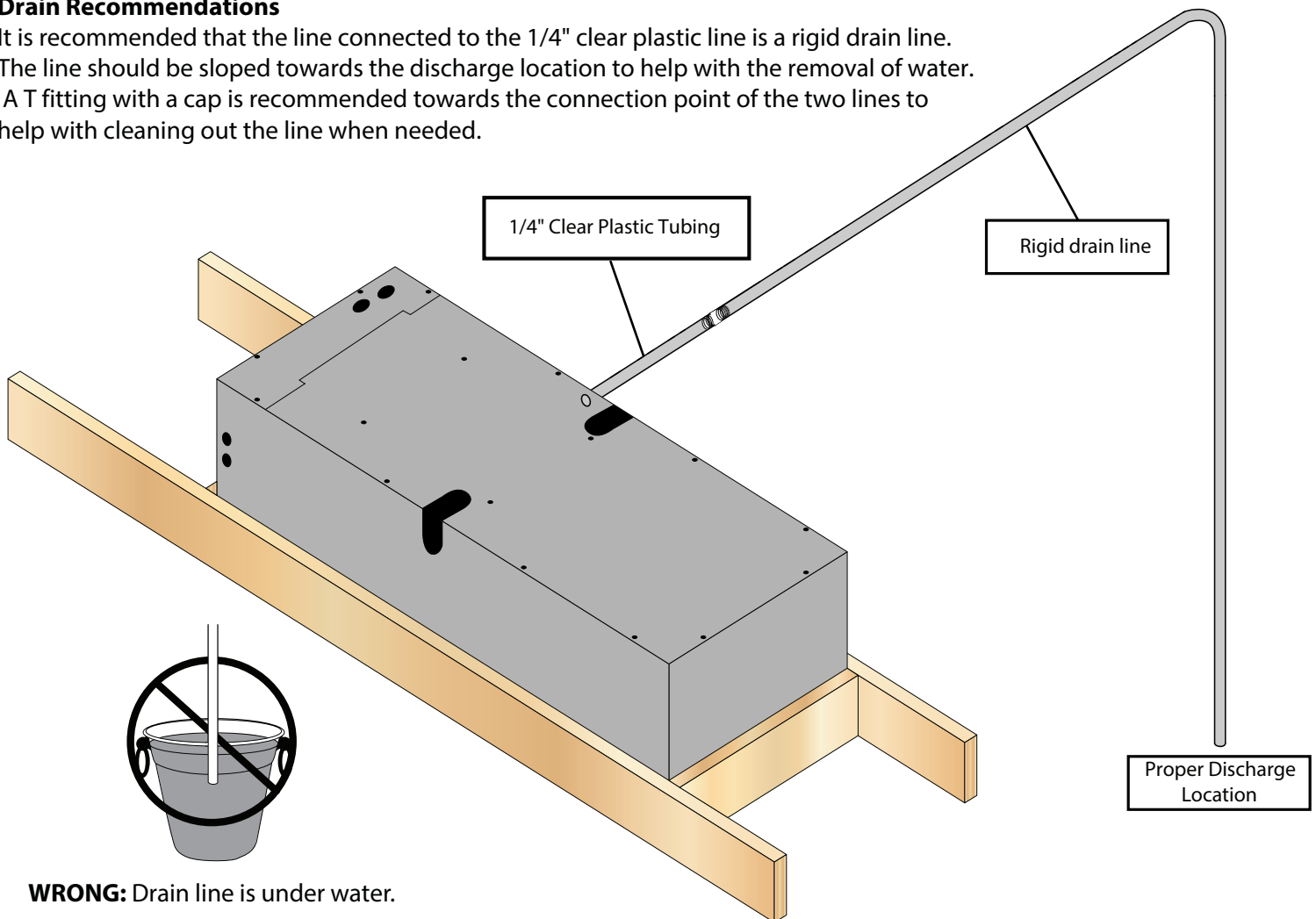
The Ceiling Mount evaporator unit features a drain line pump system that removes excessive condensate build up in the drain pan. During operation, the drain pan collects water that drips from the coil. The drain line pump system will prevent overflow and leaking by allowing for discharge of the additional condensate.

Connecting the Drain Line

Route the drain line to an appropriate discharge location and connect the opposite end to the tubing that was routed out with the line set using the provided barbed coupling side of the condensate pump. Do not route the drain line more than 15 vertical ft.

Drain Recommendations

It is recommended that the line connected to the 1/4" clear plastic line is a rigid drain line. The line should be sloped towards the discharge location to help with the removal of water. A T fitting with a cap is recommended towards the connection point of the two lines to help with cleaning out the line when needed.



WRONG: Drain line is under water.

To prevent mold from growing, allow the drain line to hang above the water line.

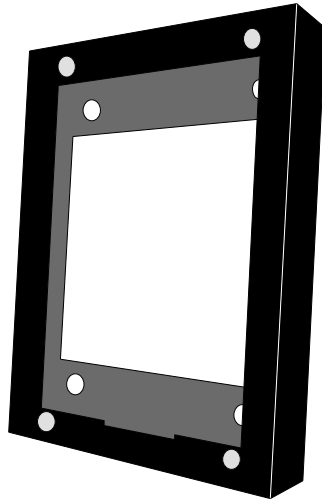
REMOTE DISPLAY: INSTALLATION AND CONFIGURATION - KDT

Tools needed: 5/16" drill bit, 3/16" drill bit, drywall saw, level, pencil

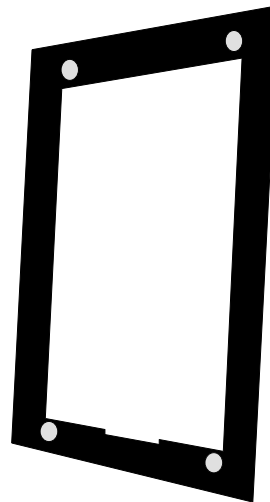
What's included: Display panel, wall mount bracket,



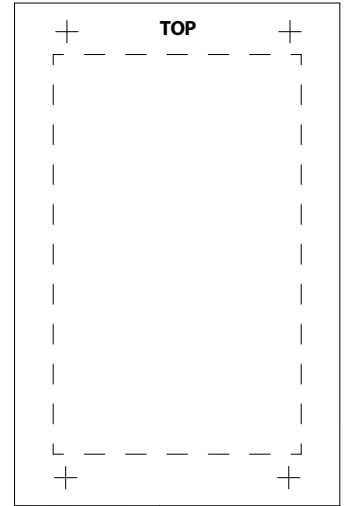
Display panel



Wall mount bracket



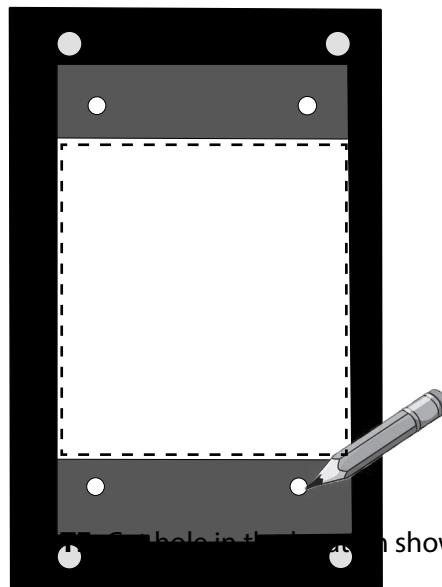
Flush mount bracket



Flush mount template

WALL MOUNT BRACKET INSTALLATION

1. Place the bracket on the wall. Use a level to ensure that the bracket is level. Using a pencil, mark the four screw holes in the rear of the bracket.

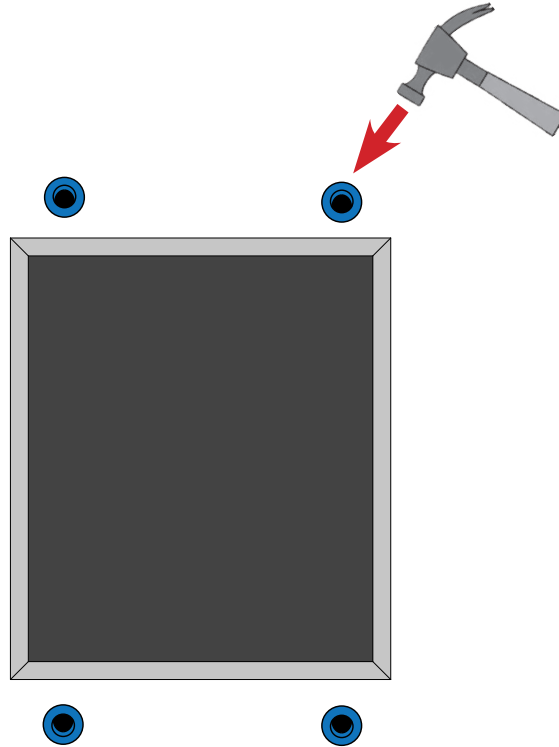


A hole in the bottom is shown for routing the display cable.

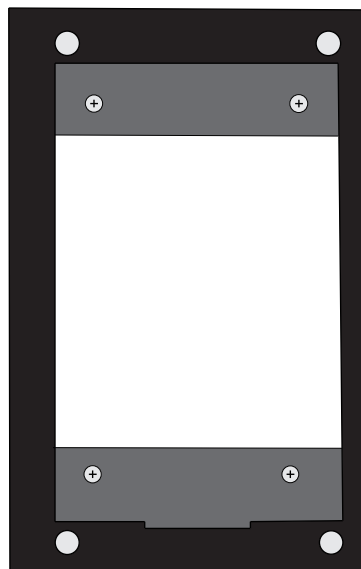
* The display can be mounted on any wall (inside or outside the wine cellar, up to 50 feet from the cooling unit).

WALL MOUNT BRACKET INSTALLATION, CONTINUED

2. Using a drill with a 3/16 drill four holes in the drywall for the screws. Insert the four (4) provided drywall anchors into the drywall, then tap them in with a hammer until they are flush with the wall.



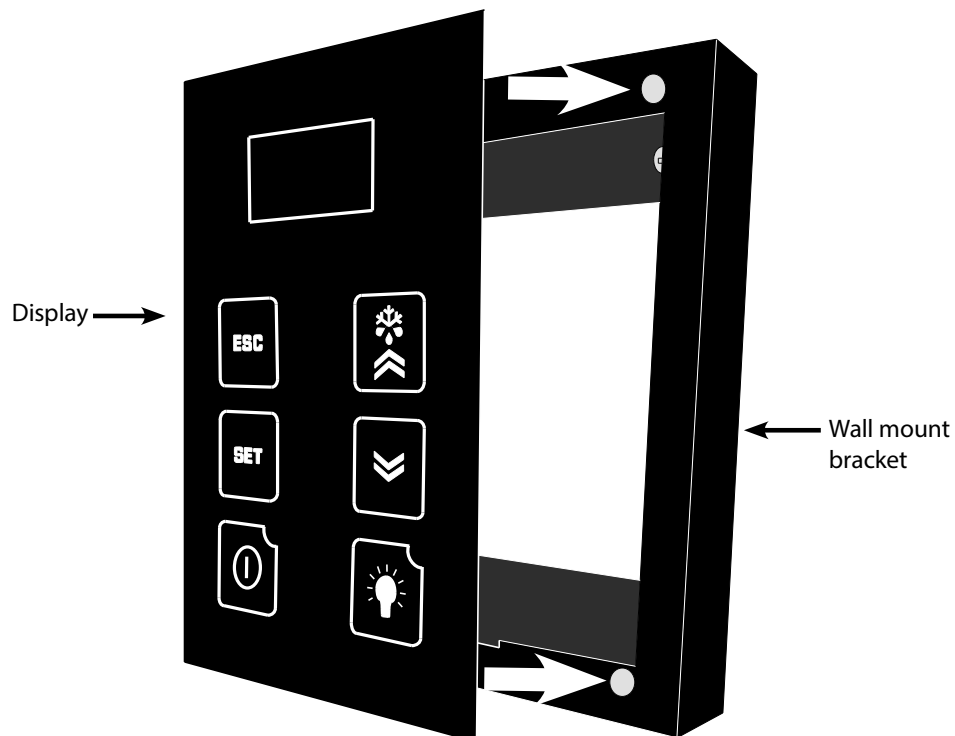
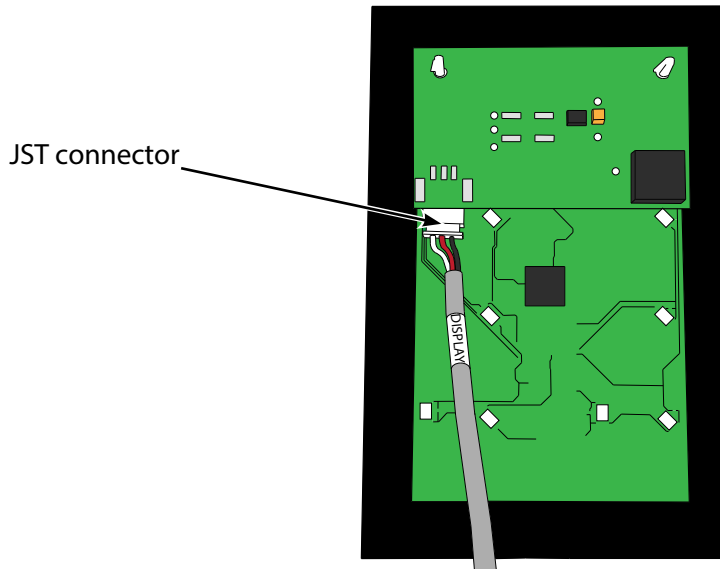
3. Place bracket against wall, aligning screw holes with drywall anchors. Insert the four supplied Phillips-head screws into the drywall anchors. Tighten the screws to secure the bracket to the wall.



WALL MOUNT BRACKET INSTALLATION, CONTINUED

NOTE: Before you continue to Step 4, locate the area where the display will be mounted. You may route the display wire into the housing one of three ways: either through the wall or through one of the holes on the top or bottom edges of the wall mount bracket. If you'd like to route the display cable through one of these holes, place a rubber grommet into the hole and then route the display cable through the grommet and into the wall mount bracket.

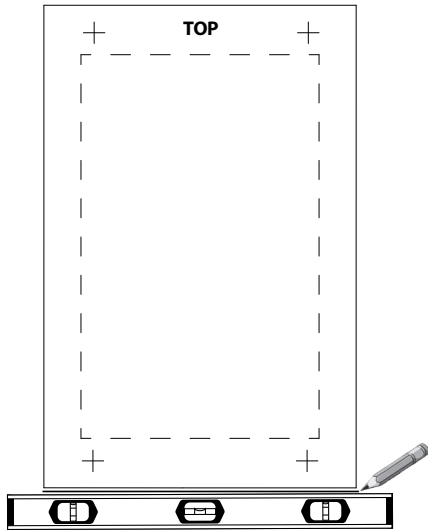
4. Connect the end of the display cable labeled "**DISPLAY**" to the JST connector on the back of the display.



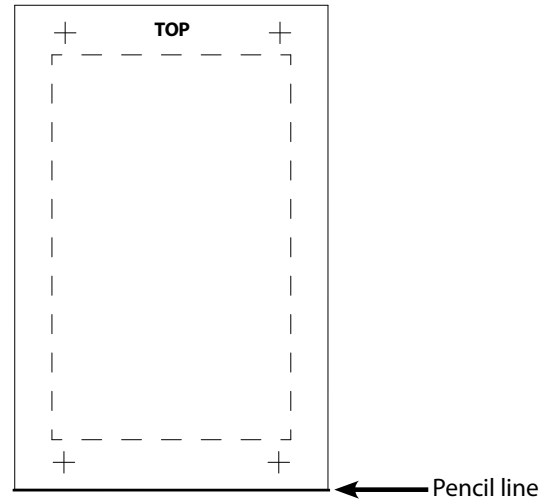
5. Place the display on the wall mount bracket as shown, attaching the back of the display panel to the magnets on the mounting bracket. Make sure that the alignment tab on the back of the display panel sits in the notch on the bottom of the bracket.

FLUSH MOUNT BRACKET INSTALLATION - KDT

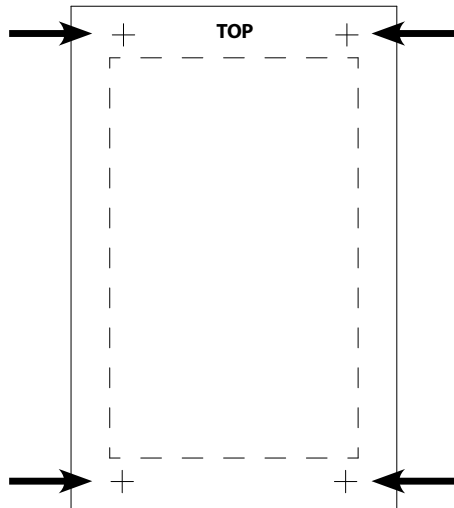
1. Square the flush mount template on the wall using a level. Then draw a 3" line along the bottom edge of the template.



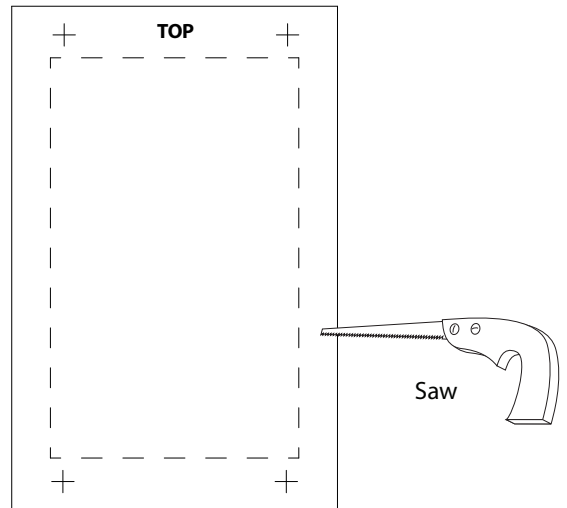
2. Peel the backing off the template and stick it to the wall, aligning the bottom edge with the line drawn in Step 1.



3. Use a 5/16" drill bit to drill a hole in the center of each cross (+).

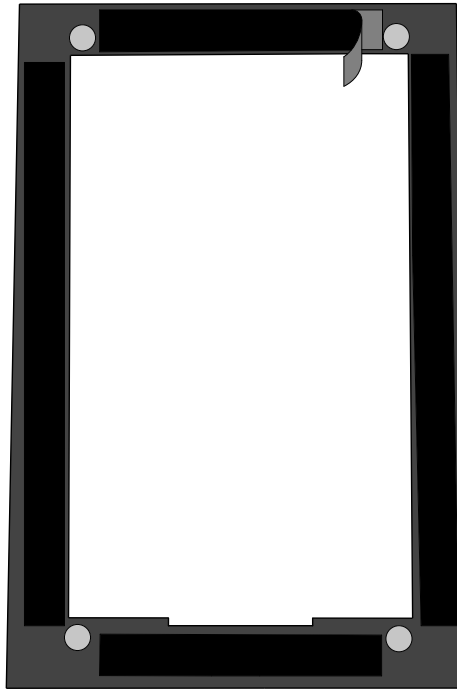


4. Cut along the perforated lines. When finished, remove template from wall.

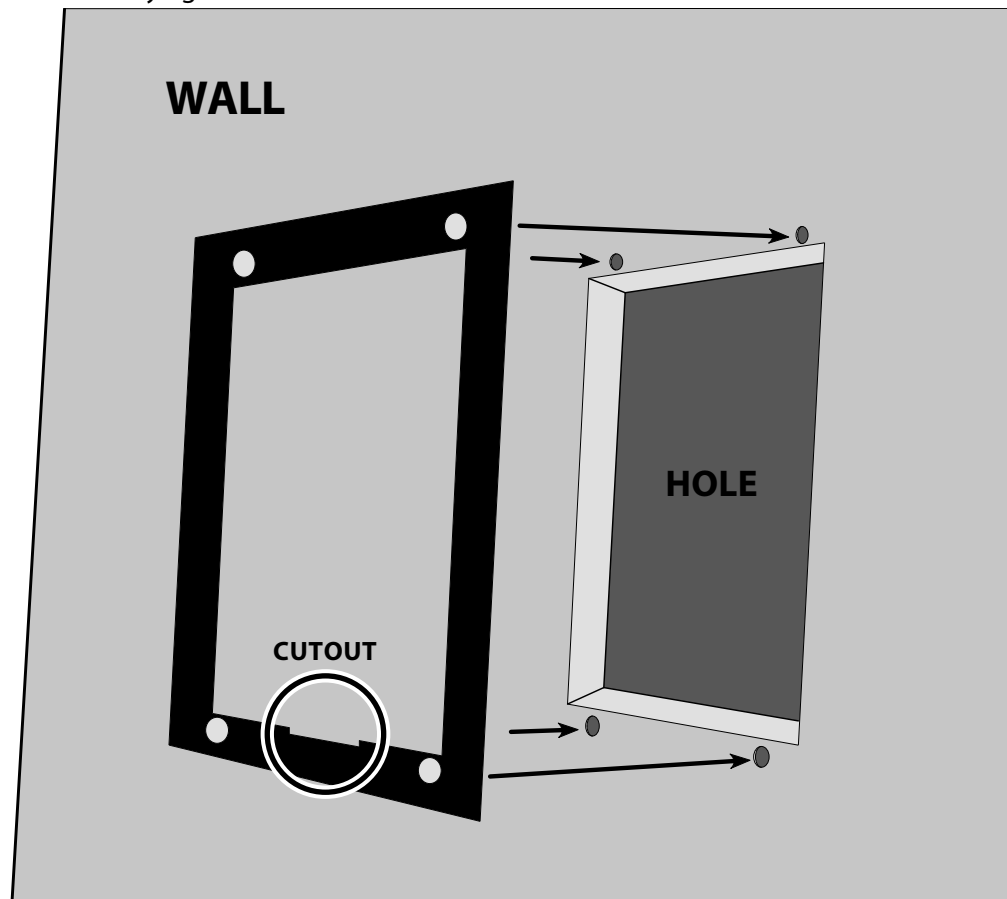


FLUSH MOUNT BRACKET INSTALLATION, CONTINUED

5. Remove the backing from the double-sided tape on the flush mount bracket.

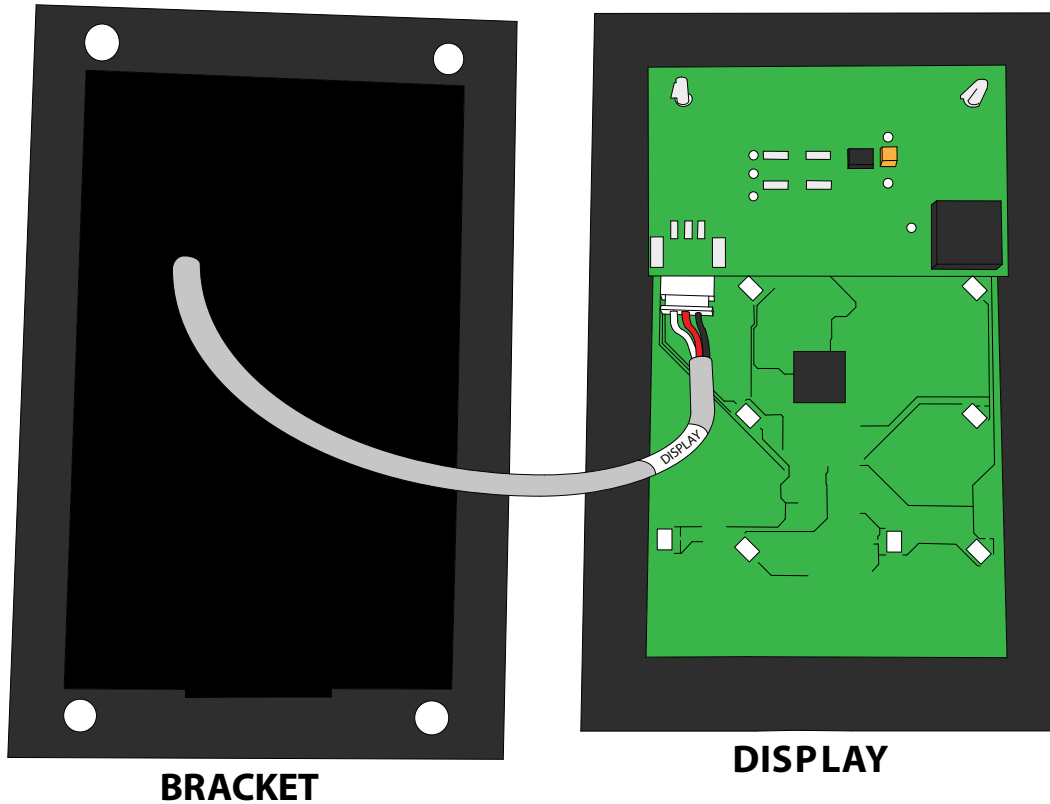


6. Align magnets with previously drilled holes. Make sure the cut-out portion of the bracket (circled below) is on the bottom. Press the bracket firmly against the wall.

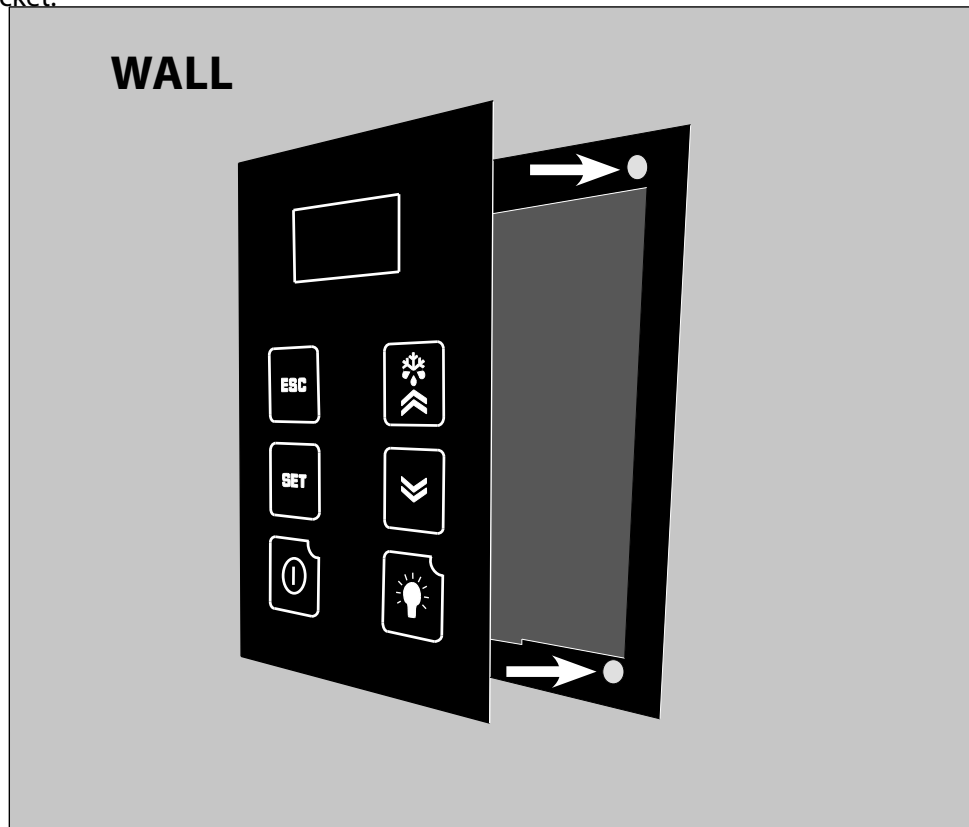


FLUSH MOUNT BRACKET INSTALLATION, CONTINUED

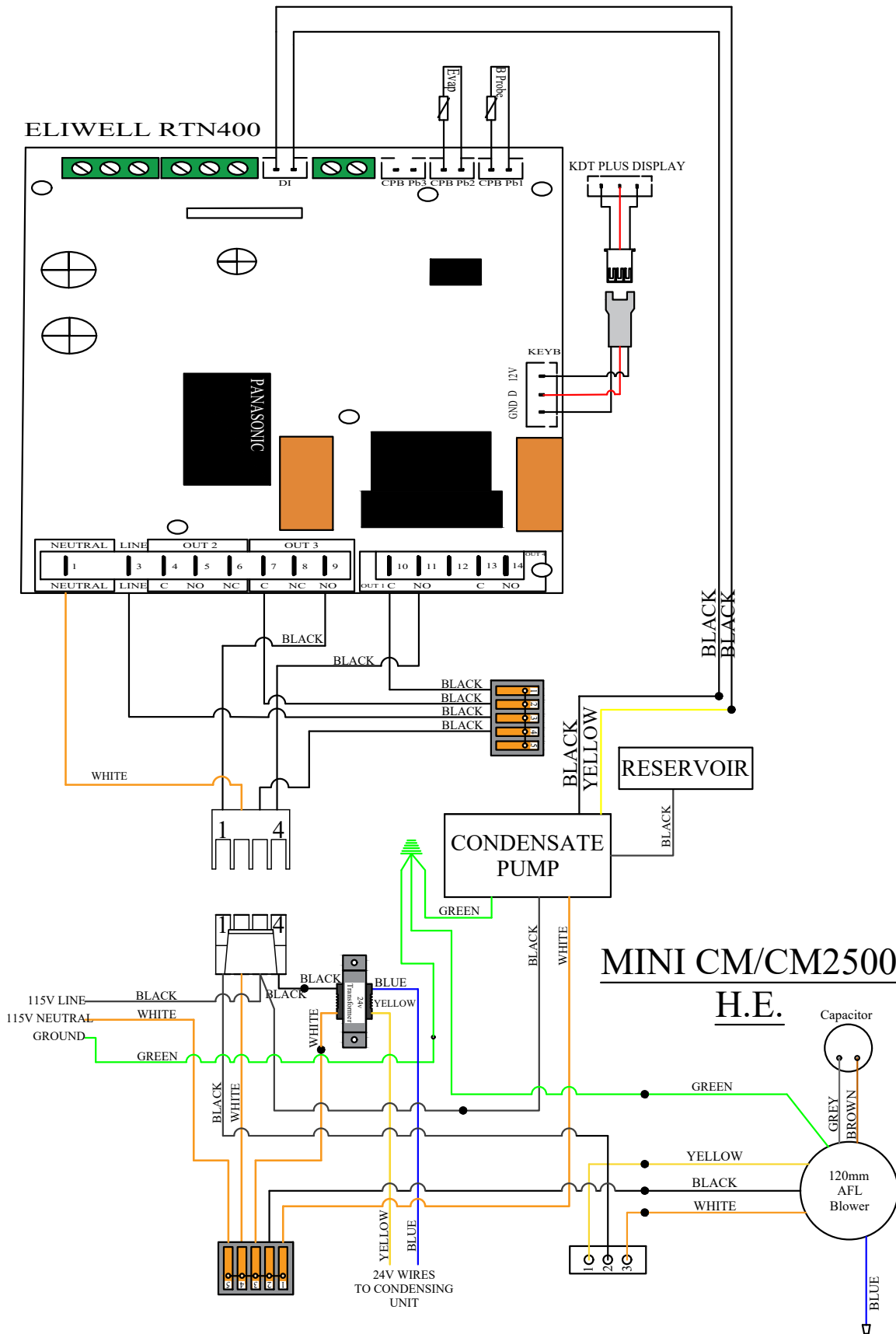
7. Connect the end of the display cable to the JST connector on the display panel.



8. Place the display on the flush mount bracket as shown, attaching the back of the display panel to the magnets on the mounting bracket. Make sure that the alignment tab on the back of the display panel sits in the notch on the bottom of the bracket.

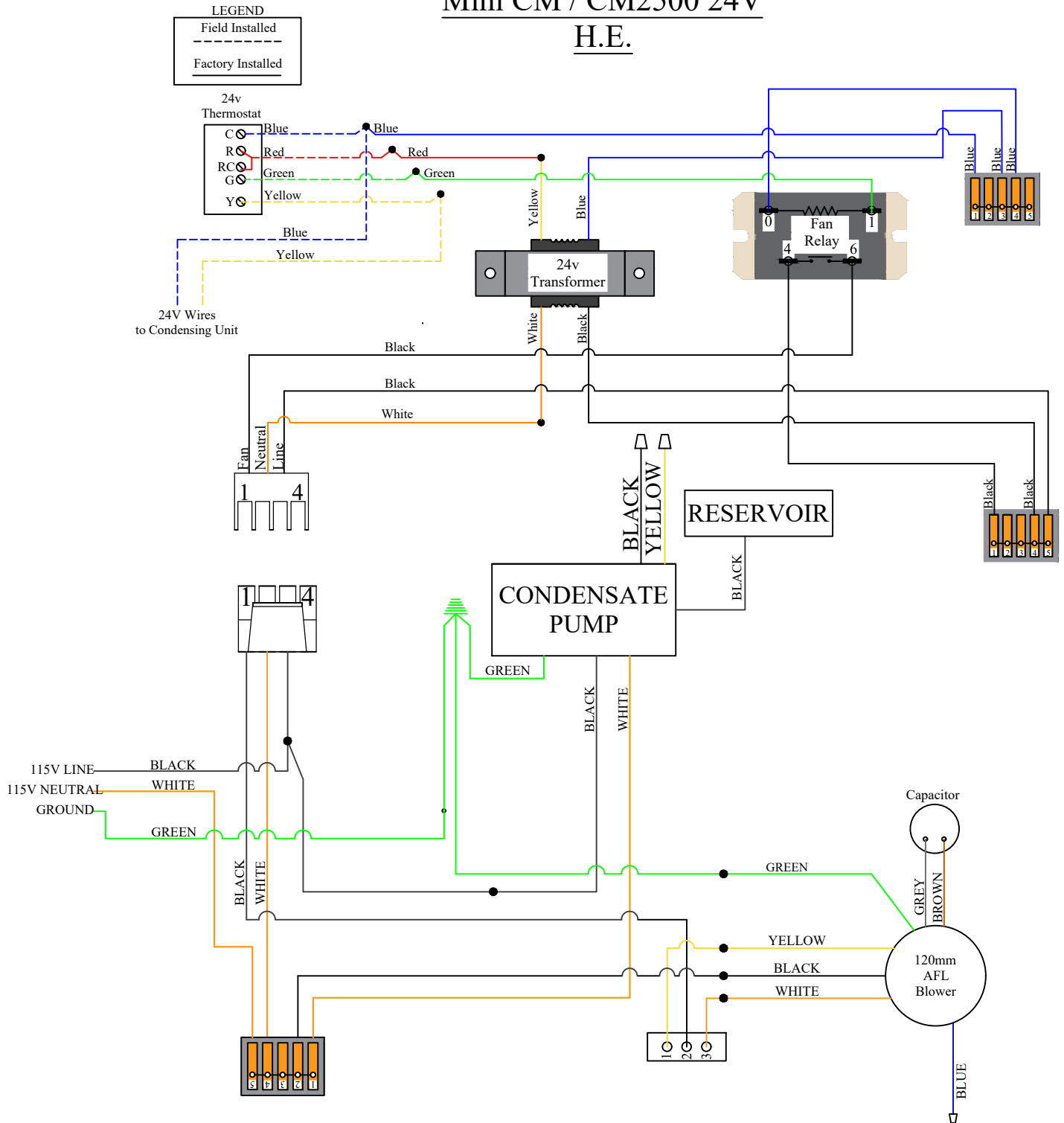


MINI CEILING MOUNT WIRING DIAGRAM - KDT

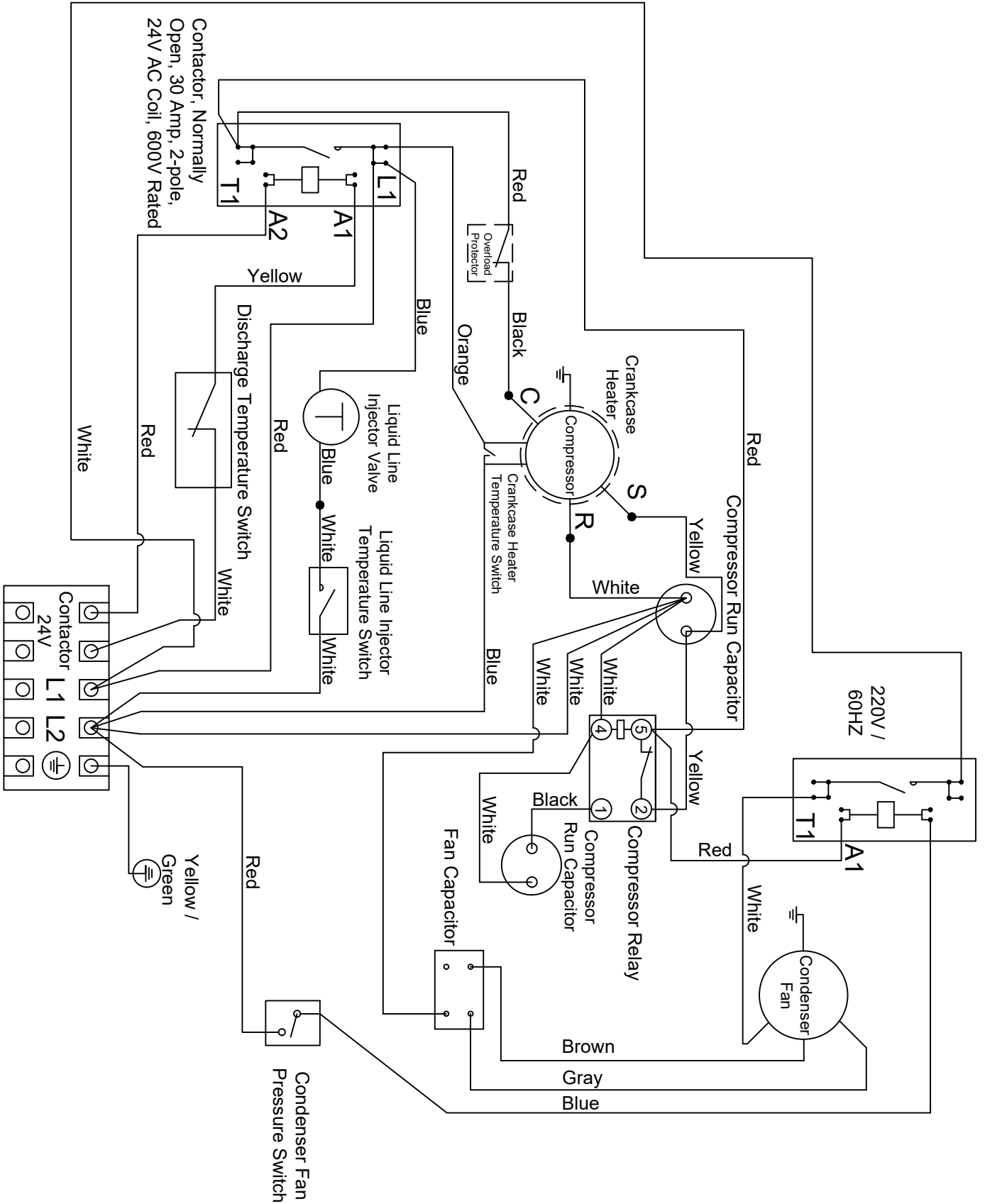


MINI CEILING MOUNT WIRING DIAGRAM - 24V

Mini CM / CM2500 24V H.E.

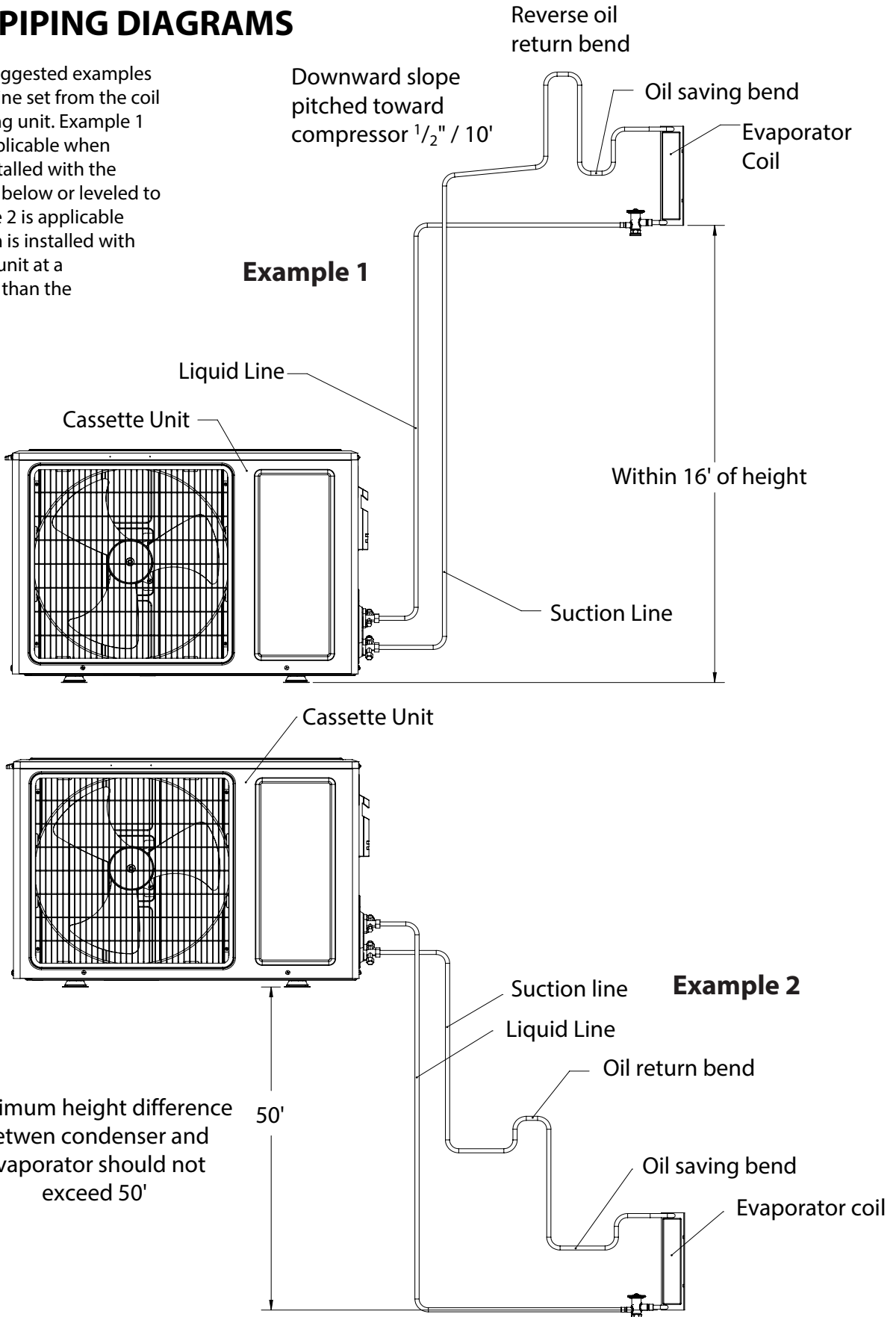


CONDENSING UNIT WIRING DIAGRAM



LINE SET PIPING DIAGRAMS

These are two suggested examples for running the line set from the coil to the condensing unit. Example 1 is specifically applicable when the system is installed with the condensing unit below or leveled to the coil. Example 2 is applicable when the system is installed with the condensing unit at a higher elevation than the coil.



PREPARING THE CONDENSING UNIT

Electrical Needs

The unit requires a dedicated 220V, 15-amp circuit.

The unit draws a large inrush current for about 1 second the instant the compressor starts. With a dedicated circuit and circuit breaker, the condensing unit will have sufficient power for effective operation. The compressor is controlled by a contactor relay mounted to the condensing unit. 18-5 thermostat (communication line) wire must be ran from the evaporator unit to the condensing unit which energizes the contactor and allows the condensing unit to operate.

- Ensure the voltage supplied matches the rating specified on the unit spec label.
- Provide a non-GFI dedicated circuit and an appropriate outlet for the condensing unit.
- Provide a dedicated circuit and circuit breaker for the condensing unit.
- Provide a weatherproof disconnect for the condensing unit if it is located outside.

Power surges and spikes can damage sensitive electrical equipment. WhisperKOOL recommends plugging the unit into a surge protector or power conditioner in order to protect your system. As outlined in our terms and conditions, power surges and spikes are not covered under warranty.

WE RECOMMEND THAT YOU DO NOT USE A GROUND FAULT INTERRUPTER (GFI) WITH THIS PRODUCT.

In case the system should lose power, check the home/main circuit breaker. If the system does not respond properly, refer to the Troubleshooting Guide.

Communication Cable Operation

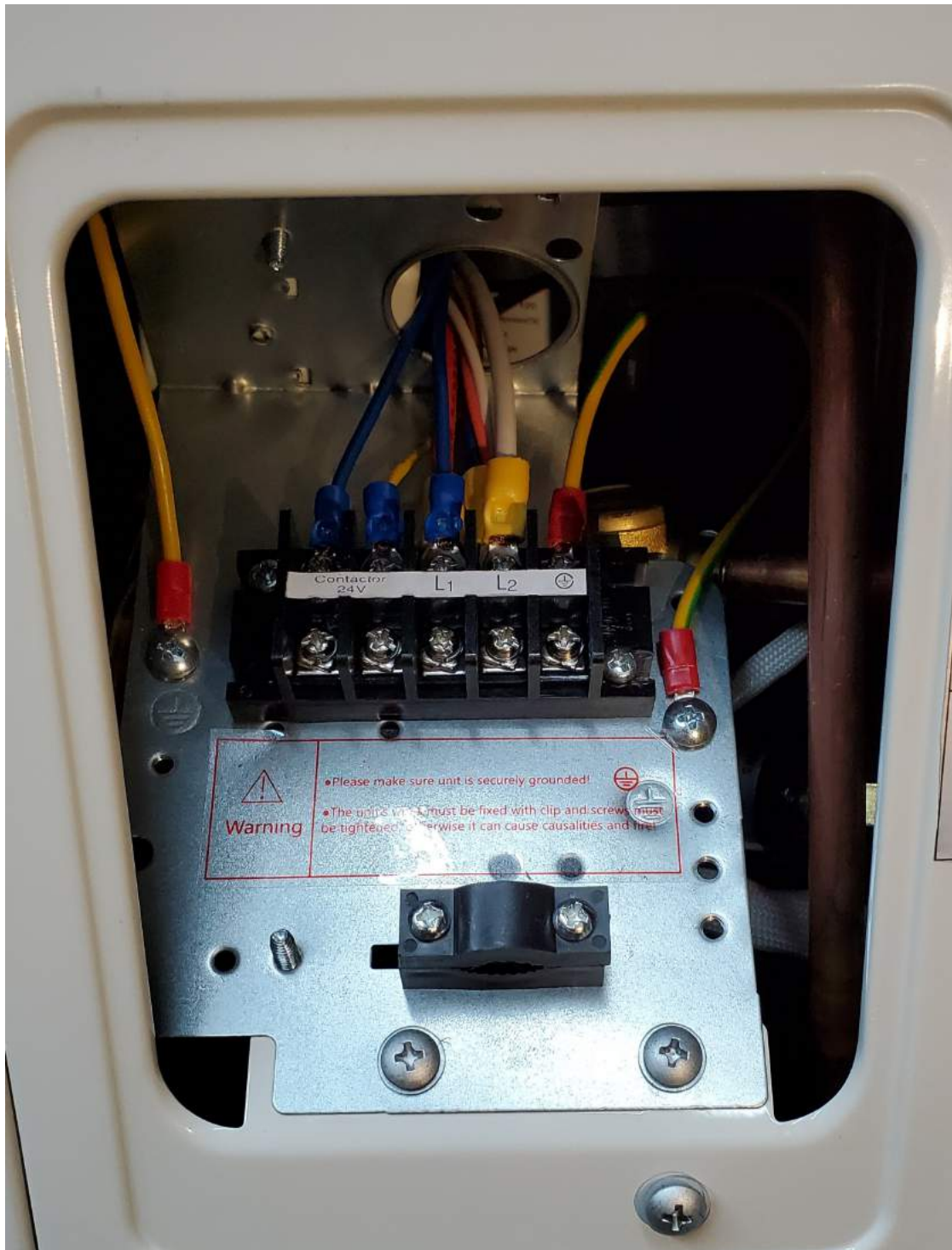
WhisperKOOL's split systems operate like traditional air conditioners where there is wiring between the condensing unit and the evaporator unit.

WhisperKOOL Cassette Condensing Unit systems do not utilize a solenoid valve or low-pressure switch, which allows the system to run like a residential HVAC system. A 24V communication cable must be ran between the condensing unit and the evaporator unit. When the thermostat calls for cooling, a 24V signal is sent from the evaporator air handler unit to the contactor located on the outdoor cassette condensing unit via the 24V communication cable. Once the contactor is energized, power is then delivered to the compressor and the system begins to operate.

When the cellar reaches the desired temperature and the thermostat is satisfied, the contactor is de-energized, and the compressor shuts off.

CONDENSING UNIT WIRING

1. Locate or install an electrical disconnect box near the outdoor condensing unit per electrical code.
2. Remove electrical cover plate from unit.
3. Connect wiring for: 24V contactor (communication cable), L1, L2, and Ground as identified by terminal block label.
4. Leave the circuit breaker off or remove disconnect until unit is ready to charge.



INSTALLING THE CONDENSING UNIT

Step 1: Select installation location

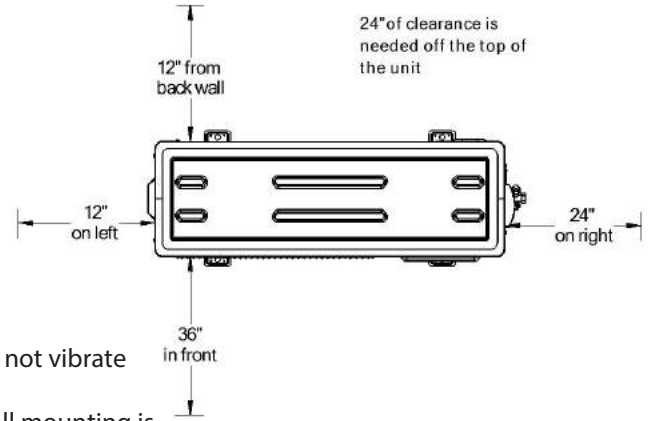
Before installing the outdoor unit, you must choose an appropriate location. The following are standards that will help you choose an appropriate location for the unit.

Proper installation locations meet the following standards:

- Meets all suggested spatial requirements according to diagram
- Good air circulation and ventilation
- Firm and solid—the location can support the unit, is level, and will not vibrate
- Protected from prolonged periods of direct sunlight or rain
- Condensing unit is suggested to be mounted on concrete pad. Wall mounting is optional but can cause excess vibration

DO NOT install unit in the following locations:

- Near an obstacle that will block air inlets and outlets
- Near a public street, crowded areas, or where noise from the unit will disturb others
- Near animals or plants that will be harmed by hot air discharge
- Near any source of combustible gas
- In a location that is exposed to large amounts of dust
- In a location exposed to excessive amounts of salty air
- In a closet or small room



Special Considerations For Cold Weather And Other Outdoor Conditions

If the unit is exposed to heavy wind:

Install unit so that air outlet fan is at a 90° angle to the direction of the wind. If needed, build a barrier in front of the unit to protect it from extremely heavy winds.

If the unit is frequently exposed to heavy rain or snow:

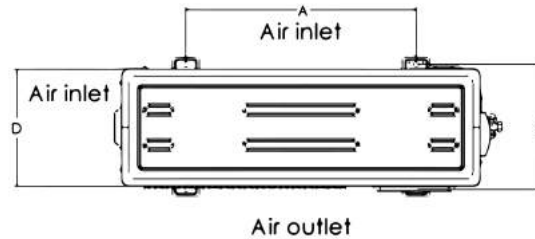
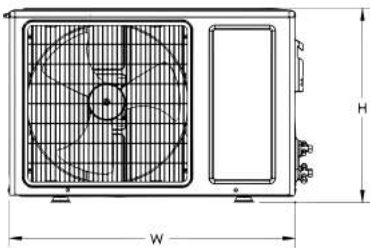
Build a shelter above the unit to protect it from the rain or snow. Be careful not to obstruct air flow around the unit. Unit should be elevated to prevent build up of debris and snow in front of fan.

Step 2: Anchor outdoor unit

The outdoor unit can be anchored to the ground or to a wall-mounted bracket.

Unit Mounting Dimensions

The following is a list of different outdoor unit sizes and the distance between their mounting feet. Prepare the installation base of the unit according to the dimension



| Outdoor Unit Dimensions (in.) | Mounting Dimensions | |
|-------------------------------|---------------------|------------------|
| | Distance A (in.) | Distance B (in.) |
| 31.18"L x 10.75"D x 21.18"H | 19.72" | 10.71" |

INSTALLING THE CONDENSING UNIT(CONTINUED)

If you will install the unit on the ground or on a concrete mounting platform, do the following:

1. Mark the positions for four expansion bolt based on dimensions in the Unit Mounting Dimensions chart.
2. Pre-drill holes for expansion bolts.
3. Clean concrete dust away from holes.
4. Place a nut on the end of each expansion bolt.
5. Hammer expansion bolts into the pre-drilled holes.
6. Remove the nuts from expansion bolts, and place outdoor unit on bolts.
7. Put washer on each expansion bolt, then replace the nuts.
8. Using a wrench, tighten each nut until snug.

If you will install the unit on a wall-mounted bracket , do the following:

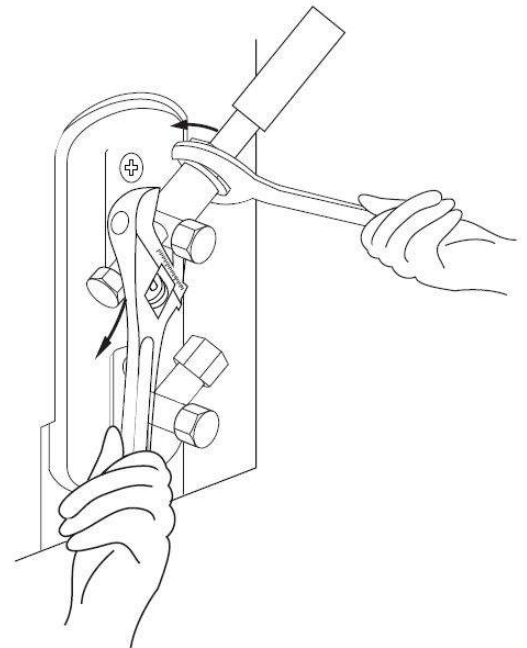
1. Mark the position of bracket holes based on dimensions in the Unit Mounting Dimension chart.
2. Pre-drill the holes for the expansion bolts.
3. Clean dust and debris away from holes.
4. Place a washer and nut on the end of each expansion bolt.
5. Thread expansion bolts through holes in mounting brackets, put mounting brackets in position, and hammer expansion bolts into the wall.
6. Check that the mounting brackets are level.
7. Carefully lift unit and place its mounting feet on brackets.
8. Bolt the unit firmly to the brackets.

Step 4: Connect signal and power cables

The outside unit’s terminal block is protected by an electrical wiring cover on the side of the unit. Remove the cover and wire according to diagram above and visual instructions below.

Step 5: Connect line set to condensing unit

- 1.Using a crescent wrench, grip the body of the valve. Do not grip the nut that seals the service valve.
- 2.While firmly gripping the body of the valves, use a torque wrench to tighten the flare nut according to the correct torque values.
- 3.Loosen the flaring nut slightly, then tighter again.
- 4.Repeat steps for the remaining pipe.



TORQUE REQUIREMENTS

| Outer Diameter of Pipe (in.) | Tightening Torque (lb•ft) |
|------------------------------|---------------------------|
| Ø 1/4" | 11lb•ft |
| Ø 3/8" | 18.4lb•ft |
| Ø 1/2" | 25.8lb•ft |
| Ø 5/8" | 33.19lb•ft |
| Ø 3/4" | 47.94lb•ft |

INSTALLING THE CONDENSING UNIT (continued)

Line Set Piping Size

| Mini Ceiling Mount H.E. | Line Set Length | <25ft | 26-50ft | 50-100ft |
|-------------------------|-------------------|-------|---------|----------|
| Suction Line | Horizontal Tubing | 3/8" | | 1/2" |
| | Vertical Rise | 3/8" | | |
| Liquid Line | Horizontal Tubing | 1/4" | | |
| | Vertical Rise | 1/4" | | |

Line set piping size is determined by the unit size and the line set length. Determine the length before selecting the size. For the vertical rise on the suction and liquid lines refer to the line set piping examples previously shown. When the condensing unit is mounted above the evaporator unit it is recommended that the suction line should have oil saving bends placed every 15'.

Pressure Test

After the line set has been connected securely to the evaporator and condensing unit, remove valve stem caps from low pressure (suction) and high pressure (liquid) valves on condensing unit. Ensure service valve stems are in the back-seated position. If valve cores have been removed, they should be reinstalled in valves after pressure testing, vacuum, and charging procedures are complete.

Connect charge hoses of the manifold gauge to the service ports on the outdoor unit's low pressure and high pressure valves. Leave gauge manifold knobs in closed position until nitrogen is ready to be admitted into the system. Connect service hose from service port on manifold to nitrogen regulator. Set nitrogen tank regulator to approximately 225 psi. Open both high side and low side gauge manifold knobs SLOWLY at the same time to admit nitrogen into the system until the gauge manifold reads 225 psi, then close gauge manifold knobs. Let pressure stand for minimum of 10 minutes. Use soapy solution to check flare connection points for leaks. If no leaks are present and pressure is maintained after 10 minutes of pressure test, proceed with evacuation process. If any leak is detected, it must be corrected before moving onto evacuation process.

Air Evacuation/ Vacuum

- Remove the nitrogen from the system
- Remove the nitrogen tank from the manifold and attach the manifold to the vacuum pump
- Install service caps on the valves.
- After confirming that there is fresh oil in the vacuum pump, connect the hose from the manifold to the pump.
- Start the pump and run it until micron gauge reads 250 microns or less.
- Once vacuum of 250 microns or less is achieved, disconnect the vacuum pump from the system.
- Remove the micron gauge from the access valve.
- Close the valves on the manifold

Note: For adjusting the service valves on the condensing unit a 3/16" allen wrench is needed.

Liquid Line King Valve

This location is used to charge the system with liquid refrigerant and identify the high side pressure of the system.

Calculating Subcooling

To determine the subcooling of the system, calculate the difference between the **high side pressure of the system (converted to temperature)** and the **temperature of the liquid line**. The temperature of the liquid line will be taken on the exterior of the condensing unit, about 4" away from the housing.

*Saturation temp — liquid line temp

5-15°F SUBCOOLING REQUIRED FOR WARRANTY APPROVAL

INSTALLING THE CONDENSING UNIT(continued)

Charging

- The chart below provides the approximate refrigerant charge amount for initial startup based on the line set length. Please see the chart below for the initial charge amount. The installing technician may still need to add additional charge and dial in the desired subcooling to achieve optimum performance.
- Subcooling range is between 5-15°F.
 - When charging during colder ambient temperatures (below 60°F), your target will be the lower end of the subcooling range.
 - When charging during hotter ambient temperatures (above 95°F), the target will be the upper end of the subcooling range.
- Invert refrigerant tank on a scale. Purge the charging hose up to the manifold and then zero out the scale in preparation for liquid refrigerant charging.
- With the power off to the condensing unit, admit liquid refrigerant through the liquid line service valve.
- Prior to turning on condensing unit, ensure evaporator (air handler) unit is ON and controller is calling for cooling.
- Turn on the circuit breaker for the condensing unit. The compressor and condenser fan should begin to operate.
- After startup, wait a minimum of 10 minutes for system to stabilize before checking subcooling or superheat.
- Place refrigerant tank in upright position in preparation for adding vapor refrigerant (if necessary).
- Add refrigerant (in vapor form) to the low side of the system through the suction line service port if necessary to achieve recommended subcooling.
- Check the superheat at suction service valve on the condensing unit.
- Adjust the TXV until the superheat is between 10-25°F at the service valve.
- After recommended superheat and subcooling is achieved, place the service valve stems in the back-seat position (all the way out counter-clockwise) and reinstall the Schrader valve cores. Once hoses are disconnected, reinstall all caps on service valves

Approximate Initial Charge Chart

| Line Set | Charge Total |
|---------------|--------------|
| 10' Line Set | 4.65 lbs |
| 20' Line Set | 4.81lbs |
| 30' Line Set | 4.97 lbs |
| 40' Line Set | 5.13 lbs |
| 50' Line Set | 5.29 lbs |
| 60' Line Set | 5.45 lbs |
| 70' Line Set | 5.61 lbs |
| 80' Line Set | 5.77 lbs |
| 90' Line Set | 5.93 lbs |
| 100' Line Set | 6.09 lbs |

TXV Adjustment

The TXV is shipped from the factory preset for 50 Feet. A TXF adjustment may be necessary based on the ambient temperatures in the cellar and at the condensing unit.

Danfoss TXV adjustment

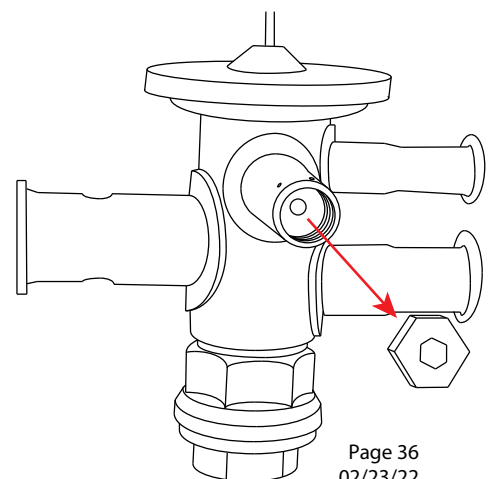
Most units are equipped with a Danfoss adjustable TXV.

- Adjust the TXV until the total superheat measured at the suction (vapor/low pressure) line service valve is 10°F to 25°F.

To adjust the TXV use a 5/32" hex key to remove the cap from the TXV superheat adjustment port. (Figure 1)

- With the cap removed, insert the hex key into the superheat adjustment port.
- Increase superheat by turning clockwise
- Decrease superheat by turning counter-clockwise

Figure 1



Sporlan TXV adjustment

Some units are equipped with a Sporlan adjustable TXV.

Adjustment Steps:

Remove the seal cap using two wrenches. (Figure 2)

- Use a 7/8" wrench on the BOTTOM cap.
- Use a 3/4" wrench on the TOP (seal) cap.

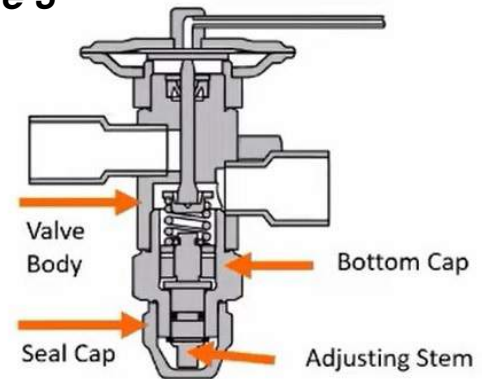
With the seal cap removed: (Figure 3)

- Use a 3/16" service wrench to tighten or loosen the service stem located under the seal cap
- When the adjustment is completed, replace the seal cap.

Figure 2



Figure 3



INSTALLING THE CONDENSING UNIT(continued)

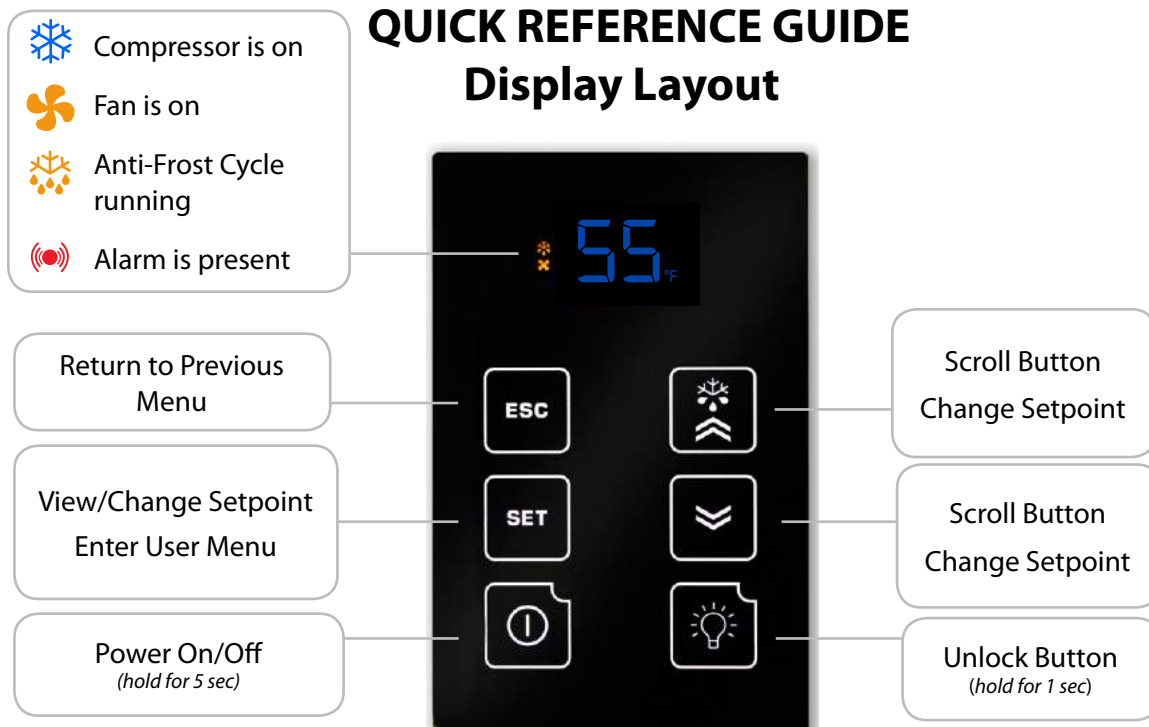
Finalizing the Installation

- Confirm the entire suction line from the evaporator unit to the condensing unit is insulated using cellular insulation or equivalent. Seal all seams with Armaflex 520 Foam Insulation Adhesive or equivalent.
- Confirm that the control is displaying the correct temperature and that no alarms are present.

Approximate Operating Pressures (Cellar temperature 55°F)

| Temp. | Low Side PSI | High Side PSI |
|-------|--------------|----------------|
| 60°F | 23-27 PSIG | 75-79 PSIG |
| 75°F | 25-29 PSIG | 105-110 PSIG |
| 85°F | 26-31 PSIG | 120 - 125 PSIG |
| 95°F | 27-32 PSIG | 150-155 PSIG |

QUICK REFERENCE GUIDE Display Layout



MINI CEILING MOUNT SPECIFICATIONS

| Model | Mini Evaporator (Fan Coil Unit) | Mini H.E. Condenser (Air-Cooled Condensing Unit) |
|---|---|---|
| Cellar Size | 500 cu. ft. | |
| BTU/h ((60°F condenser air intake temperature) | Low: 2442/3131 • Med: 2564/3288 | Mini H.E. Condenser (Air-Cooled Condensing Unit) |
| BTU/h ((75°F condenser air intake temperature) | Low: 2132/2592 • Med: 2239/2722 | |
| BTU/h ((75°F condenser air intake temperature) | Low: 2084/2514 • Med: 2188/2640 | |
| Dimensions | 25.05"L x 11.34"W x 11.17"H | 31.18"L x 10.75"W x 21.18"H |
| Refrigerant | R-134a | |
| Condensing Unit HP | 0.35 HP | |
| Voltage Rating | 120V (15-amp dedicated circuit required) | 220V (15-amp dedicated circuit required) |
| Weight (lbs) | 35 | 50.7 |
| Amps | 1 Running Amps | LRA 5.3A, RLA 1.55A, FLA 1.7A |
| Line Set | Liquid line 1/4" OD; Suction line 3/8" OD (less than 50ft.), 1/2" (greater than 50ft) | |
| Drain Line | 1/4" ID clear plastic tubing (not provided) - Rigid tube recommended | |
| Installation | Evaporator unit is installed in the cellar. Condensing unit can be installed up to 100 line feet from the evaporator unit. | |
| Thermostat | KDT- Advanced digital display (50-ft. cable), liquid-temperature-measuring bottle probe (50-ft. cable), 24V - Customer supplied | |
| Temp. Delta | Can maintain a 55°F cellar temperature with up to 120°F condenser air intake temperature | |
| Warranty | Two-year limited warranty (parts and labor) | |

* Sizing the System to the Room






There are several factors such as glass, stone, and concrete which will change the required amount of BTUs needed to properly cool your wine room. We strongly recommend utilizing the cellar wizard on the WhisperKOOL website in order to ensure you are selecting the proper cooling system for your application. Under-sizing your cooling system can lead to premature failure and/or prevent the system from reaching the desired set temperature.

FILTER





Washable filter is installed from the factory on the return side of the grille, secured via Velcro strips.





CONTROLLER FUNCTIONS

| Button | Normal Functions | | | | | | | | |
|---|--|-----|----------|-----|--------------|-----|-----------------------------------|-----|-----------------------------|
| INITIAL STARTUP | When the unit is plugged in and power is sent to the controller, a beep will sound, confirming that the controller is getting power. All LEDs on the display will blink three times. Three dashes will then appear on the screen. All display LEDs will then blink three times. Once the controller has gone through the initial startup process, and all LEDs have cycled, the home screen will be displayed. | | | | | | | | |
| UNLOCKING THE DISPLAY | Press and hold any button for one second to unlock the display. (A white LED will appear in the top left corner of the button being pressed.) A beep will sound, signifying that the display is unlocked. NOTE: The display must be unlocked before any button functions become available. | | | | | | | | |
| ON/OFF  | <p>To turn the unit ON, press and hold the ON/OFF button until the red LED turns OFF.</p> <p>To turn the unit OFF, press and hold the ON/OFF button until the red LED turns ON.</p> | | | | | | | | |
| UP/DOWN  | The up and down arrows are used to navigate through menus and adjust parameters such as setpoint, Fon/FOF, etc. | | | | | | | | |
| SET  | <ul style="list-style-type: none"> To change the setpoint, press the SET button. When "SEt" is displayed on the screen, press the SET button once more. Use the UP and DOWN ARROW buttons in order to change the value until the desired setpoint is reached. The SET button allows you to view the setpoint, evaporator temperature, bottle temperature, alarms, and the hidden menu. Press the SET button once. "SEt" will be displayed. Press the UP or DOWN ARROW buttons to scroll through ALr, Pb1, or Pb2. <table border="1" data-bbox="467 1188 1511 1352"> <thead> <tr> <th>Set</th> <th>Setpoint</th> </tr> </thead> <tbody> <tr> <td>ALr</td> <td>Alarm folder</td> </tr> <tr> <td>Pb1</td> <td>Liquid (bottle probe) temperature</td> </tr> <tr> <td>Pb2</td> <td>Evaporator coil temperature</td> </tr> </tbody> </table> <ul style="list-style-type: none"> Press the SET button again to view any of these values. Hold the SET button for approximately 5 seconds to enter the User Menu. (More information about the User Menu is available on page 45.) Other parameters in the User Menu which are not available for adjustment include: idF, rEL, and LAn. | Set | Setpoint | ALr | Alarm folder | Pb1 | Liquid (bottle probe) temperature | Pb2 | Evaporator coil temperature |
| Set | Setpoint | | | | | | | | |
| ALr | Alarm folder | | | | | | | | |
| Pb1 | Liquid (bottle probe) temperature | | | | | | | | |
| Pb2 | Evaporator coil temperature | | | | | | | | |
| ESC  | This button confirms changes made to parameters such as the setpoint and returns you to the previous menu. | | | | | | | | |
| LIGHT  | The light function is not in use. However, this button can still be used to unlock the display. | | | | | | | | |

ICON GLOSSARY

| Icon | Meaning |
|--|---|
| <p>SNOWFLAKE</p>  | <p>Blinking: The unit is calling for cooling, but must wait five minutes before restarting the compressor. This five-minute delay serves as an Anti-Short Cycle for the compressor's protection.</p> <p>Constant: The unit is in cooling mode and the condensing unit is running.</p> |
| <p>DRIPPING SNOWFLAKE</p>  | <p>The unit is undergoing an Anti-Frost Cycle. While the Anti-Frost Cycle is running, "dEF" will be displayed on the screen. See System Operation page for further details.</p> |
| <p>FAN</p>  | <p>The evaporator fan is running.</p> |
| <p>ALARM</p>  | <p>The alarm icon is shown when the unit encounters an issue that needs attention. Alarm codes are explained on the following page. All temperature-related alarms are blocked for the first 10 hours after the unit is plugged in to allow the system to stabilize and acclimate to the new environment.</p> |

ALARM CODES

| Code | Cause | Solution |
|---|--|---|
| The following alarm codes will be displayed on the screen along with the alarm icon.  | | |
| E1 | Bottle probe is not connected | Attach bottle probe to circular connector |
| | Faulty bottle probe connection | Locate faulty bottle probe connection by inspecting all wiring connections between the bottle probe and the circuit board. The two-pin connector for the bottle probe should be connected to the CPB/PB1 terminal on the circuit board. If it is not connected, plug it in. If a faulty connection has been identified, correct the issue or contact customer service for further assistance. NOTE: The E1 code will not appear in the alarms menu. It will be permanently displayed on the screen. |
| | Defective bottle probe | Replace the bottle probe |
| E2 | Faulty evaporator probe connection | Locate faulty evaporator probe connection by inspecting evaporator probe wire. The two-pin connector for the evaporator probe should be connected to the CPB/PB2 terminal on the circuit board. If it is not connected, plug it in. |
| | Defective evaporator probe | Replace the evaporator probe |
| E7 | No communication between keypad and circuit board for 60 seconds | Verify that the display cable is connected to the keypad and the circuit board and is not damaged, frayed, or kinked. If problem persists, contact Customer Service for troubleshooting information. |
| E10 | Clock battery is dead | Replace battery NOTE: A dead clock battery will not affect the operation of your cooling unit. |
| The following alarm codes will not be displayed on the home screen. However, the alarm icon will be displayed in the event of an alarm. The alarms can be viewed in the Set Menu's ALr folder.  | | |
| EA | Unit is not draining properly | <ol style="list-style-type: none"> 1. Check to see that the unit is level; if not, level it 2. Verify that the drain line is not clogged; if so, clear obstruction 3. Ensure that the condensate pump is operating 4. Verify wire connection at D.I. port of circuit board NOTE: If the unit loses power (due to a power outage or being manually unplugged), the condensate pump may need to be reset. To do this, disconnect and reconnect the black cables on the condensate pump. |
| AH1 | The bottle probe is sensing a temperature that is 4°F above the setpoint | <ol style="list-style-type: none"> 1. Allow time for the wine to reach the desired temperature 2. Ensure that the cellar is sealed properly 3. Verify that the bottle probe is calibrated correctly (refer to the User Menu on the following page) 4. Verify that the unit is sized correctly for the cellar |
| AL1 | The bottle probe is sensing a temperature that is 4°F below the setpoint | <ol style="list-style-type: none"> 1. Make sure the unit is not in cooling mode (the snowflake icon will not be illuminated) 2. Add heat to the room until the wine reaches the desired temp 3. Verify that the bottle probe is calibrated correctly (refer to the User Menu on the following page) |
| Ad2 | The Anti-Frost Cycle ended on time-out | <ol style="list-style-type: none"> 1. Check the evaporator coil for ice buildup. Unplug the unit and allow the coil to thaw before restarting. 2. Make sure the room to which the unit is exhausting is not below 60°F 3. If the unit repeatedly goes into Anti-Frost Cycles (one per minute), call Customer Service for more troubleshooting information |

USER MENU

The User Menu is accessed by **pressing and holding the SET button for 3 seconds**. Use the UP and DOWN ARROW buttons to navigate to desired parameters. Press the SET button again to view these parameters. Press the UP and DOWN ARROW buttons to adjust a parameter.

The following parameters are available in the menu:

| Parameter | Description |
|--|--|
| Fdc - humidity enhancement | This parameter is measured in minutes, and is preset at the factory to 1. An increase in this parameter will increase the humidity enhancement of your cellar. This parameter should not be adjusted to zero. Adjustments should be made in increments of 5, with a maximum of 15 and a minimum of 1. After making any adjustments to humidity enhancement, you should wait a minimum of 3 days before making any additional adjustments. This will allow sufficient time for the cellar to acclimate to the new setting. |
| FOF - "fan off" | This setting controls how long the fan stays off after the setpoint has been reached. It is preset to 15 minutes. This setting should not be adjusted, as most properly constructed wine cellars retain an ample amount of humidity during the "fan off" cycle. If, however, you wish to decrease the duration of the "fan off" cycle (in order to increase the wine cellar's relative humidity), you can adjust this setting in the User Menu. |
| Fon - "fan on" | The "fan on" time is preset to zero minutes. This keeps the relative humidity of the wine cellar at a stable level. If, however, you wish to raise the relative humidity of your wine cellar, you can increase the duration of the "fan on" cycle in increments of five (5, 10, or 15 minutes). After making any adjustment to the "fan on" cycle, you should wait a minimum of 3 days before making any additional adjustments. This will allow sufficient time for the cellar to acclimate to the new setting. |
| CA1 - bottle probe (Pb1) calibration | CA1 - bottle probe (Pb1) calibration: You may use this parameter to calibrate the bottle probe to a known temperature. This parameter can be adjusted between -12°F and 12°F. For example, if the bottle probe temperature is 58°F, and the known temperature is 55°F, you can set the CA1 parameter to -3°F to match the known temperature. |
| PA2 - installer menu | This menu is only accessible using a password and is not available for adjustment. |
| dOA - digital input (Pump shut down settings) | This setting determines the operation of the unit during a condensate pump alarm. The factory setting is 2, which allows the system to continue operating during an alarm. This setting must be changed to 5 if you wish to have the system shut down during a pump alarm. 2 = activates the compressor and fans 5 = disables the compressor and fans NOTE: Setting the dOA to any number other than 2 or 5 will prevent the unit from operating properly. |

WHISPERKOOL TROUBLESHOOTING GUIDE

| Unit has ice forming on the evaporator unit | |
|--|--|
| Possible cause | Solution |
| Evaporator filter or coil is dirty | Remove the filter and wash it, then clean the coil with a vacuum. If coil is very dirty, use a spray bottle with a small amount of liquid dish detergent or coil cleaner. Spray coil, let set for five minutes, then flush with fresh water. |
| There is something blocking the supply and/or return air | Remove blockage |
| The evaporator fan is not turning on | Call a service tech to troubleshoot |
| The evaporator unit has not gone through an Anti-Frost Cycle yet | Check the coil for surface ice. Melt with blow drier until coil is warm to the touch. Soak up water with a towel. |
| If evaporator unit continues to ice | Observe ice formation pattern. If only part way up the coil face, the system could be low on refrigerant. If all the way up, the coil may be dirty or airflow is blocked. |
| Unit does not run/power up | |
| Possible cause | Solution |
| Evaporator Unit is not plugged in | Make sure the unit is plugged into an outlet |
| Power switch not on | Turn unit on by pressing the power button on the control |
| Line voltage rating is incorrect for the system | Check line voltage to make sure there is 110V-120V |
| Setpoint at setpoint | Lower setpoint |
| Thermostat not calling for cooling | Lower setpoint |
| Faulty thermostat or wiring | Contact Customer Service at WhisperKOOL.com/ticket |
| Cellar temperature is too warm | |
| Possible cause | Solution |
| The temperature of the room to which the condensing unit exhausts exceeds 110°F | Intake temperature needs to drop below 110°F |
| The system is undersized for the cellar | Order correct size system |
| There is something blocking the supply and/or return air on the evaporator unit or the condensing unit | Remove air flow obstruction |
| Evaporator unit is mounted too low in the cellar | Relocate unit so the distance from the ceiling and top of the unit is no more than 18" |
| One or more of the fans is not turning on | Please contact the installing technician to troubleshoot |
| Compressor is not turning on | Please contact the installing technician to troubleshoot |
| Compressor keeps cycling on overload | Make sure all fans are working and there is no airflow obstruction |
| Poor seal around door or other areas requiring a seal (around the unit, wall joints, etc.) | Make sure there are no air gaps around the door. If door seal is damaged, replace it. |
| Setpoint too high | Lower the setpoint |
| Evaporator coil is frosted or iced up | Observe ice formation pattern. If only part way up the coil face, evaporator unit could be low on refrigerant. If so, contact your installing technician to assist with troubleshooting. |
| System runs constantly | |
| Possible cause | Solution |
| Leaky door seal or poorly insulated cellar | Fix leaky door seal and insulate cellar |

| Unit leaks water | |
|---|--|
| Possible cause | Solution |
| Evaporator unit is not level | Evaporator unit should be level on the wall to prevent leaking |
| Drain line clogged or kinked | Check drain line to make sure water can flow freely |
| Drain is clogged, preventing water from escaping | Disconnect drain and clear it out; check drain for blockage |
| Drain line does not have a downward slope | Fix drain line so there is a downward slope from the unit to the drain |
| Coil is iced, causing drain pan to freeze and water to overflow | Melt ice with blow drier. Soak up with a towel. |
| Condensate pump needs to be reset | Disconnect and reconnect the black cables attached to the pump |
| Unit runs but does not cool | |
| Possible cause | Solution |
| Lack of air flow | Make sure fan is unobstructed and that the evaporator filter, evaporator coil, and condenser coil are clean and free of debris |
| System undersized | Contact Customer Service at WhisperKOOL.com/ticket |
| Compressor is overheating | Shut system off for 1 hour to allow compressor to cool. Turn back on and check for cooler air flow out. If compressor runs, check for and clean condenser coil as possible cause of compressor overheating. If problem repeats, contact you installing technician to assist with troubleshooting. |
| Evaporator fan runs but compressor does not | |
| Possible cause | Solution |
| Running an Anti-Frost Cycle | 1) If the system is maintaining the correct cellar temperature and there is a dripping snowflake symbol illuminated on the control, the system is going through an Anti-Frost Cycle. No action is required. 2) If the system is not maintaining the correct cellar temperature, this may be due to a dirty evaporator filter or coil. 3) Call installing technician to troubleshoot, as the system may be low on charge or require an adjustment to the TXV. |
| Compressor and/or starting components faulty | Please contact the installing technician to troubleshoot |
| System may be performing the WHM function | Allow cooling system to revert back to cooling mode |
| Compressor may have overheated | Shut system off for 1 hour to allow compressor to cool. Turn back on and check for cooler air flow out. If compressor runs, check for and clean condenser coil as possible cause of compressor overheating. If problem repeats, contact your installing technician to assist with troubleshooting. |
| Compressor runs but evaporator fan does not | |
| Possible cause | Solution |
| Faulty fan motor | Please contact the installing technician to troubleshoot |
| Faulty controller | Please contact the installing technician to troubleshoot |
| Compressor short cycles | |
| Possible cause | Solution |
| Evaporator unit blows on bottle probe | Move bottle probe to a more central location |
| System low on refrigerant charge | Please contact the installing technician to troubleshoot |
| Condensing fan motor/capacitor faulty | Please contact the installing technician to troubleshoot |
| Compressor and /or starting components faulty | Please contact the installing technician to troubleshoot |
| Humidity in cellar too low | |
| Possible cause | Solution |
| Not enough moisture | Purchase and place a humidifier (or a decorative fountain) in cellar |

SYSTEM OPERATION-KDT

Initial Start-Up

When the unit is plugged in and power is sent to the controller, a beep will sound, confirming that the controller is getting power. All LEDs on the display will blink three times. Three dashes will then appear on the screen. All display LEDs will then blink three times. Once the controller has gone through the initial startup process, and all LEDs have cycled, the home screen will be displayed.

Setpoint

The setpoint is preset at the factory to 55°F. It can be adjusted by the customer between 50–70°F in one-degree increments.

Indoor Fan Operation

The indoor fan will run when the controller is calling for cooling and turn off once the cooling cycle has ended. During the cooling cycle, the system will remove some relative humidity from the cellar. Some of the humidity that was removed can be reintroduced into the cellar by adjusting the “fan on” and “fan off” functions. (The cooling system is not equipped with a humidifier and does not add humidity.)

The FOF cycle should be shortened first. This will reduce the amount of time that the fan remains on following a cooling cycle. When the unit has completed a cooling cycle, the compressor and the condenser fan will turn on, but the indoor fan will continue to run for whatever length of time the customer has set. The Non function may then be lengthened to allow the fan to run longer and reintroduce moisture from the evaporator coil back into the wine cellar.

For more information about fan settings, refer to the User Menu on page .

Anti Short Cycle

The Anti-Short Cycle ensures that the unit will remain off for a period of five minutes after the unit has reached the setpoint, thereby reducing nuisance tripping of fuse or circuit breaker and allowing the pressure in the refrigeration system to equalize prior to starting the compressor.

Once the contactor relay is de-energized, the controller must wait five minutes before re-energizing the relay. This prevents the compressor from repeatedly turning off and on. If the unit is calling for cooling during this time, the compressor icon will blink, indicating that cooling is needed but the controller is waiting for the Anti-Short Cycle

Anti Frost Cycle

When the evaporator probe senses a temperature of 26°F for a duration of one minute, an Anti-Frost Cycle will be initiated. This will shut down the compressor, allowing the evaporator fan to run and melt any frost accumulation on the coil. While the Anti-Frost Cycle is running, “dEF” will be displayed on the screen.

The compressor will remain off until the evaporator coil reaches 40°F, or for a maximum of one hour. The unit will then return to normal operation.

Operation in Low Ambient Temperatures

The condensing unit comes equipped with a fan cycle switch, which controls the condenser fan operation to maintain optimal system pressures. During cold ambient temperatures when the high side pressure falls below 75 psi, the fan cycle switch will open and the condenser fan will be shut off to maintain minimum head pressure. Once the pressure reaches 110 psi, the fan cycle switch will close and allow the condenser fan to continue operation.

Digital Display

The display is designed to give the user the ability to adjust the setpoint, Fon/FOF parameters, and other settings. (See User Menu on page 39 for more details.) The bottle probe temperature is displayed by default. “dEF” will be displayed during an Anti-Frost Cycle. The bottle probe and evaporator probe temperatures can be accessed by pushing the SET button and scrolling through “Pb1” (bottle probe) and “Pb2” (evaporator probe). The light button may be used as an unlock button.

Safety Features

In the event of a faulty bottle probe, the compressor will cycle ~ for 10 minutes and on for 40 minutes. “E1” will be displayed on the screen.

Alarms

See “Alarm Codes” in the Controller Functions chart.

SYSTEM OPERATION-24V

Initial Start-Up

Set the thermostat to COOL and fan switch to AUTO. Lower the setpoint to the desired cellar temperature. (A temperature of 55°F is the recommended setpoint.) See thermostat instructions for details.

Indoor Fan Operation

If the fan switch on the thermostat is in the AUTO position, it will run only during the cooling cycle. If the fan switch on the thermostat is in the ON position, the fan will continuously run until the switch is set back to the AUTO position.

Anti Short Cycle

Most thermostats have a safety feature that will prevent the condensing unit from cycling on and off within a short period of time. During the anti-short cycle, the condensing unit will typically remain off for 5-7 minutes. See thermostat instructions for details.

Operation in Low Ambient Temperatures

The condensing unit comes equipped with a fan cycle switch, which controls the condenser fan operation to maintain optimal system pressures. During cold ambient temperatures when the high side pressure falls below 75 psi, the fan cycle switch will open and the condenser fan will be shut off to maintain minimum head pressure. Once the pressure reaches 110 psi, the fan cycle switch will close and allow the condenser fan to continue operation.

MAINTENANCE SCHEDULE

| | |
|---|--|
| Monthly | <ol style="list-style-type: none"> 1. Check for debris surrounding condensing unit (leaves, branches, trash, etc); remove all obstructions 2. Check the drain line to see if it is above the waterline (if draining into a vessel) Inspect the external drain line for functionality. Moisture should be present inside of the drain line if system has been running. If uncertain, remove the evaporator grille and pour water into the drip pan to engage the condensate pump. |
| Semi - Annually | <ol style="list-style-type: none"> 1. Use a vacuum with brush attachment or compressed air to clean the evaporator coil; be careful not to crush coil fins when cleaning, clean condensing coils also 2. Remove the evaporator filter and clean with warm water 3. Ensure the condensing unit is free of debris and dust 4. Have a certified HVAC-R technician service the condensing unit and clean the condenser coil |
| Annually | <ol style="list-style-type: none"> 1. Inspect outdoor condenser for corrosion. 2. Check wiring connections and integrity of cords 3. Blow out drain line with air to clear any debris or buildup |
| Quarterly (Ceiling Mount Units Only) | <p>Clean out drip pan inside evaporator.</p> <ol style="list-style-type: none"> 1. Use a Phillips screwdriver to remove screws from evaporator grille and detach the grille. 2. Locate the two thumb screws on side walls of evaporator connected to the drip pan brackets and twist with fingers to unscrew. NOTE: For Mini, use screwdriver to remove screws. 3. Remove drip pan from evaporator and clean inside pan with soap & water using a sponge. 4. Inspect pump reservoir for sludge or debris before replacing pan and clear out if needed. 5. Once pan is back in place, pour water into pan to test function of the pump. (Power must be on for this) 6. Once pump function has been verified, drop Air Conditioning Pan Tablet inside of pan, then replace grille with screws. |

TECHNICAL ASSISTANCE

WhisperKOOL Customer Service is available Monday through Friday from 6:00 a.m. to 4:00 p.m. Pacific Standard Time.

The appointed customer service representative will be able to assist you with your questions and warranty information more effectively if you provide them with the following:

- The model and serial number of your WhisperKOOL systems.
- Location of unit and installation details, such as ventilation, ducting, construction of your wine cellar, and room size.
- Photos of the cellar and installation location may be needed.

Contact WhisperKOOL Customer Service

1738 E. Alpine Ave
Stockton, CA, 95205
www.whisperkool.com

Email: support@whisperkool.com

Fax: 209-466-4606

ACCESSORIES FOR COOLING UNITS

WhisperKOOL offers accessories to enhance and customize your wine cooling unit:

Condensate Pump Kit

The condensate pump kit is designed as an automatic condensate removal pump for water dripping out of our Evaporator Unit's (Fan Coil Unit's) drain line. The pump is controlled by a float/switch mechanism that turns the pump on when approximately 2¼" of water collects in the tank, and automatically switches off when the tank drains to approximately 1¼". The condensate pump kit allows the excess condensate to be pumped up to 20 ft. away from the unit.

Accessories can be purchased at www.whisperkool.com

WhisperKOOL Product Terms and Conditions
Including Product Limited Warranty And Product Installation Requirements
For WhisperKOOL Split System Series

ATTENTION: PLEASE READ THESE TERMS OF USE CAREFULLY BEFORE INSTALLING YOUR WHISPERKOOL COOLING SYSTEM. INSTALLING YOUR WHISPERKOOL COOLING SYSTEM INDICATES THAT YOU ACCEPT AND AGREE TO EACH OF THE TERMS AND CONDITIONS SET FORTH HEREIN ("TERMS OF USE"). IF YOU DO NOT ACCEPT THESE TERMS OF USE, YOU RISK VOIDING YOUR WARRANTY AND ASSUMING ADDITIONAL REPAIR AND REPLACEMENT COSTS.

1. Purchase of a WhisperKOOL Cooling System assumes that the Purchaser ("End User") fully accepts and agrees to the Terms and Conditions set forth in this document. The Terms and Conditions of Sale and Owner's Manual are shipped with each unit and, if another copy is needed, replacement copies can be downloaded from the company website (whisperkool.com) or by contacting WhisperKOOL directly for a new copy. WhisperKOOL reserves the right, in its sole discretion, to change its Terms and Conditions at any time, for any reason, without notice.

2. WhisperKOOL Product Installation and Limited Warranty

- A. Purchaser of the product must arrange for the product to be installed by a certified HVAC/R technician in accordance with procedures set forth by WhisperKOOL and described in the WhisperKOOL Owner's Manual.
- B. The HVAC/R technician installing the product must complete the designated portion of the Split Startup Checklist and provide licensing or certification identification number information to assist in the warranty registration process.
- C. Purchaser must return the completed Split Startup Checklist to WhisperKOOL within thirty (30) days of installation of Product. The Split Startup Checklist must be approved by WhisperKOOL to activate the Limited Warranty. If the Split Startup Checklist is approved, Purchaser will be sent activation approval documents and will start receiving the benefits of the Limited Warranty throughout the warranty period. If the Split Startup Checklist is incomplete, Purchaser will be informed they have five days to complete the Split Startup Checklist and re-submit to WhisperKOOL. The Split Startup Checklist will be reviewed again, and if denied, Purchaser will be informed that they have 10 business days for corrective action. Failure to register the Product may result in loss of warranty.
- D. Purchaser is responsible for the full costs of installation and any additional parts required for the proper and complete installation of the product.
- E. For Split Systems returned to WhisperKOOL in accordance with the terms and conditions of the Limited Warranty, WhisperKOOL warrants against defects in material and workmanship as follows:
 1. **LABOR** — For a period of two (2) years commencing on the date of purchase, WhisperKOOL will, at its option and discretion, reimburse up to \$250 to the End User for cost incurred for servicing, repairing, removing or installing warranty parts. Invoice for service must be forwarded to WhisperKOOL for assessment and processing. The Split System warranty is invalid if there is attempted repair by anyone other than an HVAC/R technician approved by WhisperKOOL to service the Product.
 2. **PARTS** — For a period of two (2) years commencing on the date of purchase, WhisperKOOL will supply, at no charge, new or rebuilt replacement parts in exchange for defective parts. Replacement parts are warranted only for the remainder of the original warranty period.
 3. **FREIGHT** — For a period of two (2) years commencing on the date of purchase, if after WhisperKOOL approved evaluation the original Product failure is determined to be the cause of a manufacturers defect, and not the cause of an installation error or other cause, WhisperKOOL will cover at its option, freight for the replacement parts or Product.

The following part or cause of failure is not the responsibility of WhisperKOOL:

- Improper voltage supply
- Line set with screw connectors (high end and low end)
- Leaks found at the braze points when performing pressure check
- Unit that has been charged incorrectly

- Incorrect tubing diameter used on line set
- A unit that has been wired incorrectly
- Valve stem on condenser side
- Improper installation of P-Trap
- Lack of P-Trap (if required)
- Condensers that are installed outdoors or in elements that would affect operation without proper cover or housing. (Housing is available from Manufacturer).

Product Warranty Limitations and Exclusions.

1. This limited warranty does not cover cosmetic damage caused during installation, damage due to acts of God, commercial use, accident, misuse, abuse, negligence, or modification to any part of the Product. Delivery and installation of the Product, any additional parts required, as well as removal of the Product if warranty work is required, are all at the sole cost, risk and obligation of the End User.
2. This limited warranty does not cover damage due to improper installation or operation or lack of proper maintenance of the Product, connection of the Product to improper voltage supply, or attempted repair of the Product by anyone other than a technician approved by WhisperKOOL to service the Product.
3. This limited warranty does not cover any Product sold "AS IS" or "WITH ALL FAULTS."
4. Product that has been replaced during warranty period does not extend the warranty period past the original date of purchase.
5. This limited warranty is valid only in the continental United States. Sales elsewhere are excluded from this warranty.
6. Proof of purchase of the Product in the form of a bill of sale, receipted invoice or serial number, which is evidence that the Product is within the Limited Warranty Period, must be presented by the End User to WhisperKOOL in order to obtain limited warranty service.
7. This limited warranty is void if the factory applied serial number has been altered or removed from the Product.
8. This limited warranty is voided if installed in an enclosure of insufficient design that does not follow the Product installation requirements stated herein and in the owner's manual.
9. Removing the rivets from the Product's unit housing without prior authorization from WhisperKOOL voids this limited warranty.
10. The End User must first contact WhisperKOOL Customer Service at WhisperKOOL.com/ticket prior to attempting service on any Product still under the limited warranty; else the limited warranty is voided.
11. This limited warranty does not cover Product being concealed by, but not limited to, vegetation, fabric, shelving, mud, snow, or dirt. Product must not be painted or limited warranty will be void.
12. This limited warranty does not cover exposure to corroding environments such as, but not limited to, petroleum and gasoline products, cleaning solvents, caustic pool chemicals, and marine air.
13. This limited warranty does not cover any cause not relating to Product defect.
14. THE REPAIR OR REPLACEMENT OF THE PRODUCT AS PROVIDED UNDER THIS LIMITED WARRANTY IS THE EXCLUSIVE REMEDY OF YOU, THE END USER, AS WELL AS ANYONE ELSE IN THE CHAIN OF TITLE OF THE PRODUCT, DOES NOT START A NEW LIMITED WARRANTY TIME PERIOD, AND IS IN LIEU OF ALL OTHER WARRANTIES (EXPRESS OR IMPLIED) WITH REGARD TO THE PRODUCT. IN NO EVENT SHALL WHISPERKOOL BE LIABLE FOR INCIDENTAL, CONSEQUENTIAL, SPECIAL OR CONTINGENT DAMAGES FOR BREACH OF ANY EXPRESS OR IMPLIED WARRANTY ON THIS PRODUCT. THE IMPLIED WARRANTIES OF MERCHANTABILITY
15. AND FITNESS FOR A PARTICULAR PURPOSE ARE HEREBY EXPRESSLY DISCLAIMED. Some states do not allow the exclusion or limitation of incidental or consequential damages, or allow limitations on how long an implied warranty lasts, so the above limitations or exclusions may not apply to you. This limited warranty gives you specific legal rights, and you may have other rights, which vary from state to state.
16. Failure of the End User to comply with all of the Product Installation Requirements, Maintenance Requirements and End User Requirements may, at WhisperKOOL's sole discretion, void this limited warranty.
17. No one has any authority to add to or vary the limited warranty on this Product.

3. Maintenance Requirements

The End User is responsible for checking the coils on the condenser unit and vacuuming them every three months to maintain them free of debris. It is the End User's responsibility to clean off any accumulated dust, lint, or other debris from the front and rear intake grills; failure to do this on a regular basis will restrict the airflow and may affect the Product's ability to function properly. Periodically cleaning the Product's vents will help assure maximum cooling efficiency. The drain tube must also be checked and kept clean and free of debris and mold to maintain proper performance.

Mold is a natural living organism in the environment. It exists in the air in the form of microscopic spores that move in and out of buildings through doors, windows, vents, HVAC systems and anywhere else that air enters. Once it is discovered, mold must be addressed quickly and appropriately. Delayed or improper treatment of mold issues can result in costly and reoccurring repairs. If the End User suspects a mold problem, it is always best to hire a qualified and experienced mold remediation specialist.

4. Additional End User Costs And Responsibilities

Terms and conditions for replacing the Product that is being evaluated for limited warranty.

1. After evaluation by a certified HVAC/R technician and the Product is found to be irreparable in the field, contact WhisperKOOL Customer Service to arrange for replacement under the warranty guidelines. When a claim for warranty is submitted for a condenser skid, the End User must purchase a new condenser skid from WhisperKOOL at retail price. Upon installation of the new condenser skid by a certified HVAC/R Technician, the HVAC/R Technician must complete the Installation Checklist and End User must submit the Installation Checklist to WhisperKOOL Customer Service for approval. The original condenser skid must be returned within 21 days to WhisperKOOL for failure analysis. If the Installation Checklist is approved and the failure is evaluated as defective and not installation error or other reason, the End User will be refunded for the cost of the replacement skid.
2. If the Product failure is evaluated and it is determined that it is an installation error or other reason, all costs, including shipping will be the responsibility of the End User.

The following items are not covered under any warranty and are the sole responsibility of the End User:

- A. End Users should satisfy themselves that the Product they are purchasing is suitable for their particular needs and requirements, and thus no responsibility will be placed with WhisperKOOL for the End User's decisions in this regard.
- B. End Users must assure that the product is installed by a certified HVAC/R technician. Failure to do so will result in Voiding the Limited Warranty.
- C. It is the End User's responsibility to secure safe haven/storage for ANY AND ALL items that are being kept and stored in the End User's wine cellar, including any Product. WhisperKOOL takes no responsibility for the safety and preservation of the aforementioned items in the event that the environment becomes unsuitable to maintain a proper storage environment.
- D. End User is responsible for initial installation costs, including, but not limited to, labor costs and the cost of any additional parts necessary to complete the installation.
- E. End User is responsible for all costs incurred for the installation and/or removal of the Product, or any part thereof, unless such cost has been agreed by WhisperKOOL to be a warranty repair prior to the work being performed.

5. Sales and Use Tax

WhisperKOOL only collects California sales tax for orders shipped within the State of California; WhisperKOOL does not collect sales tax for orders shipped to other states. However, the Purchaser and the End User may be liable to the taxing authority in their state for sales tax and/or use tax on the Product. The Purchaser and the End User should each check with their state's taxing authority for sales and use tax regulations.

6. Customer Service and Troubleshooting

WhisperKOOL's customer service department is available to answer any questions or inquiries for End Users regarding a WhisperKOOL Product, as well as to assist in performing basic troubleshooting, Monday through Friday, from 6:00 a.m. to 4:00 p.m. PST, at Support@WhisperKOOL.com. WhisperKOOL reserves the right to have a certified, WhisperKOOL-approved, HVAC/R technician go on site and inspect the product if the initial trouble shooting warrants further investigation. WhisperKOOL Corporation is located at 1738 East Alpine Avenue, Stockton, California 95205.

7. Request for Product Evaluation and Repair Under Warranty

SPLIT SYSTEM FIELD SERVICE WARRANTY POLICY: This Policy is to clarify what falls under Warranty Service and what becomes the responsibility of the Owner. WhisperKOOL (“manufacturer”) strives to provide our customers with a superior Product and we back our Product with a Two Year Limited Warranty. Please review the WhisperKOOL Product Terms and Conditions including Product Limited Warranty and Product Installation Requirements to ensure you have a complete understanding of our Policy and coverage of your Split System.

ARBITRATION: Any disputes arising out of or in connection with the installation and warranty of the Split System shall be referred to and finally resolved by a WhisperKOOL approved Independent Certified HVAC/R Technician. The evaluation of the Technician on all issues or matters of identifying the responsible party (WhisperKOOL or Installing Technician) shall be determined in a written report. This report will be made available to all concerned parties. If discovered under warranty, WhisperKOOL will assume the financial responsibility under their warranty guidelines. If the report finds the Owner’s Installer as the responsible party, WhisperKOOL will provide all documentation to the customer to substantiate the findings. This will include the Invoice from the Independent Certified HVAC/R Technician and the written report of the findings. The Owner will become responsible for payment directly to WhisperKOOL for all charges incurred for repairs (labor, parts and shipping costs) on the Split System.

8. Miscellaneous Terms and Conditions

- A. Return Policy. All return inquiries must be made within ninety (90) calendar days of the original purchase of a Product and are subject to a twenty five percent (25%) restocking fee. Shipping costs are not refundable and the Purchaser is responsible for all return shipping costs (including customs fees and duties, if applicable).
- B. Security Interest. WhisperKOOL retains a security interest in each Product until payment in full.
- C. Construction and Severability. Every provision of these Terms and Conditions shall be construed, to the extent possible, so as to be valid and enforceable. If any provision of these Terms and Conditions is held by a court of competent jurisdiction to be invalid, illegal or otherwise unenforceable, such provision will, to the extent so held, be deemed severed from the contract of sale between Purchaser and WhisperKOOL, and all of the other non-severed provisions will remain in full force and effect.
- D. Governing Law/Choice of Forum. The laws of the State of California (without regard for conflicts of law) shall govern the construction and enforcement of the these Terms and Conditions of Sale (Sections 1 through 9 inclusive, including Product Limited Warranty And Product Installation Requirements), and further these Terms and Conditions of Sale shall be interpreted as through drafted jointly by WhisperKOOL and Purchaser. Any dispute will be resolved by the courts in and for the County of San Joaquin, State of California, and all parties, WhisperKOOL, Purchaser and End User, hereby irrevocably submit to the personal jurisdiction of such courts for that purpose. No waiver by WhisperKOOL of any breach or default of the contract of sale (including these Terms and Conditions of Sale) concerning a Product will be deemed to be a waiver of any preceding or subsequent breach or default.
- E. Correction of Errors and Inaccuracies. These Terms and Conditions may contain typographical errors or other errors or inaccuracies. WhisperKOOL reserves the right to correct any errors, inaccuracies or omissions, and to change or update these Terms and Conditions, at any time without prior notice.

9. Questions, Additional Information And Technical Assistance

- A. Questions. If you have any questions regarding these Terms and Conditions or wish to obtain additional information, contact us via email at Support@WhisperKOOL.com or please send a letter via U.S. Mail to:

Customer Service
WhisperKOOL Corporation
1738 E Alpine Ave
Stockton, CA 95205

E-mail: support@whisperkool.com
Web: www.whisperkool.com

- B. Technical Assistance. WhisperKOOL Customer Service is available Monday through Friday from 6:00 a.m. to 4:00 p.m. PST. The Customer Service representative will be able to assist you with your questions and warranty information more effectively if you provide them with the following:
 - 1. The model and serial number of your WhisperKOOL UNIT.
 - 2. The location of the system and installation details, such as ventilation, construction of your wine cellar, and room size.

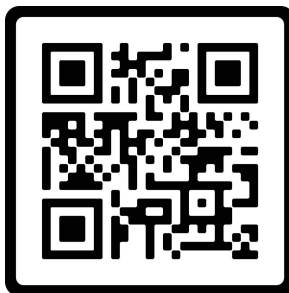
WARRANTY REGISTRATION

In order to activate the warranty of your system, the verification and operational documentation must be completed by the certified refrigeration technician installing your system and submitted via mail, fax, or e-mail.

Mail to:
WhisperKOOL
ATTN: Warranty Registration
1738 E. Alpine Avenue
Stockton, CA 95205-2505
USA

Fax to:
209-466-4606

Scan and email to:
warranty@whisperkool.com



Model _____ Serial Number _____

Installed by _____ Date _____

*Whisper***KOOL™**

WhisperKOOL
1738 E. Alpine Ave
Stockton, CA 95205
1(800) 343-9463
www.whisperkool.com