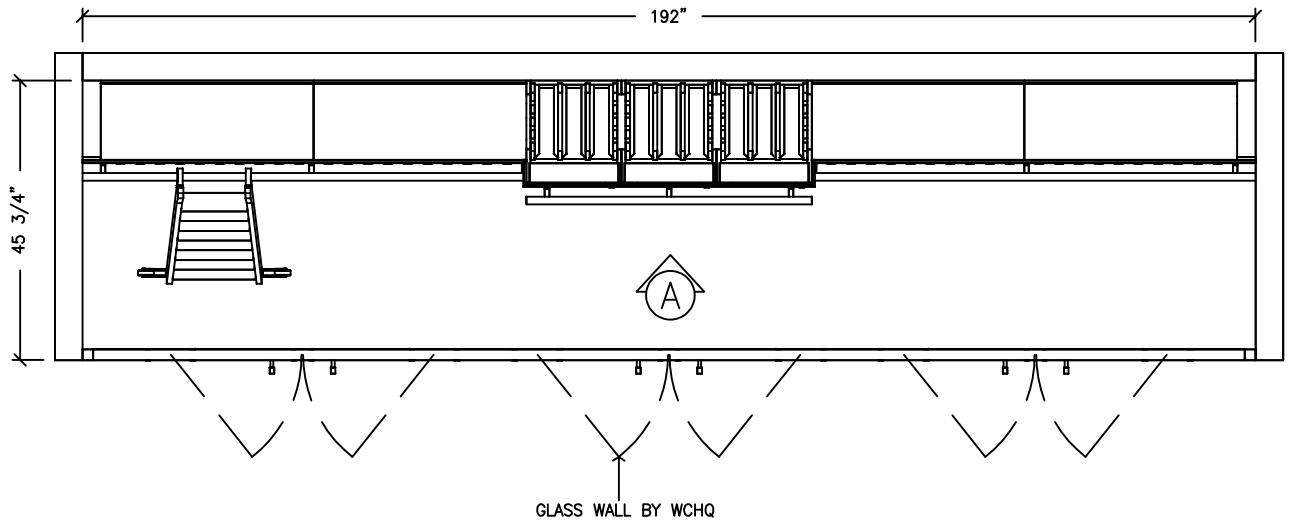


750'S	252
X-CUBE	432
HORIZONTAL DISPLAY	264
ANGLE DISPLAY	40
<b>TOTAL BOTTLES</b>	<b>988</b>



PLAN VIEW

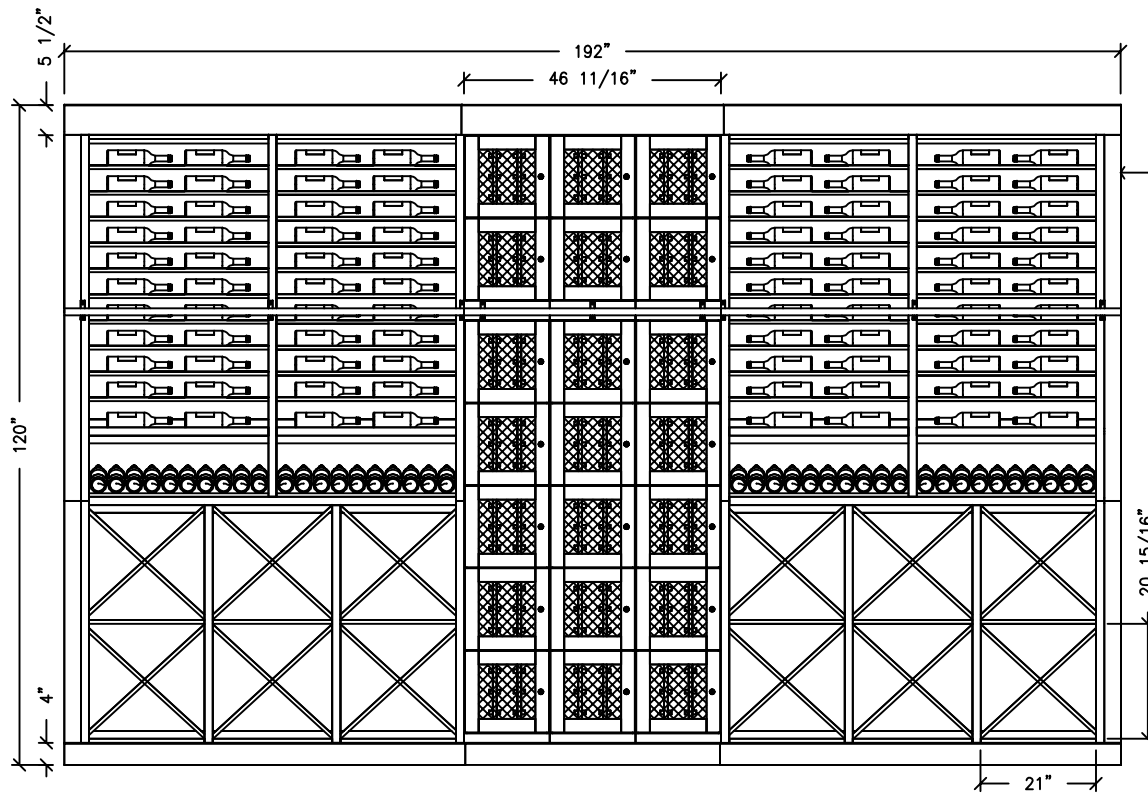
QTY. 1 PAGE: 1



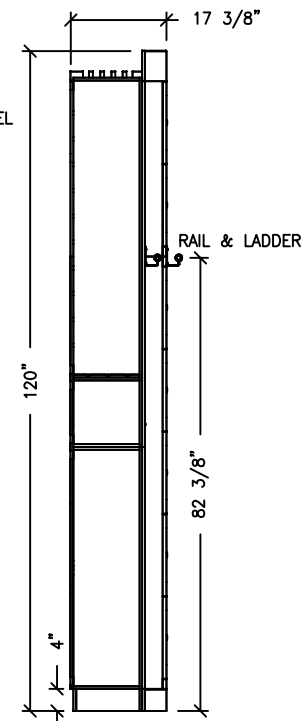
<b>JOB No. WCHQ-019</b>
JOB NAME: <b>Persimmon Road</b>
DATE: <b>MAR/21/24</b>
DRAW: <b>TRo</b>
NOTES: 1.- 11/16" THICKNESS 2.- PRODUCTION TOLERANCE 0-1/16" 3.- ALL DIMENSION HAVE TO VERIFY ON FIELD

REVISION: <b>0</b>	APPROVED BY:  DATE:
-----------------------	---------------------------

750'S	252
X-CUBE	432
HORIZONTAL DISPLAY	264
ANGLE DISPLAY	40
<b>TOTAL BOTTLES</b>	<b>988</b>



(A) **RACK**  
**FRONT ELEVATION**



(A) **RACK**  
**LEFT ELEVATION**

QTY. 1 PAGE: 2



**JOB No. WCHQ-019**

**JOB NAME:**  
Persimmon Road

**DATE:** MAR/21/24

**DRAW:** TRO

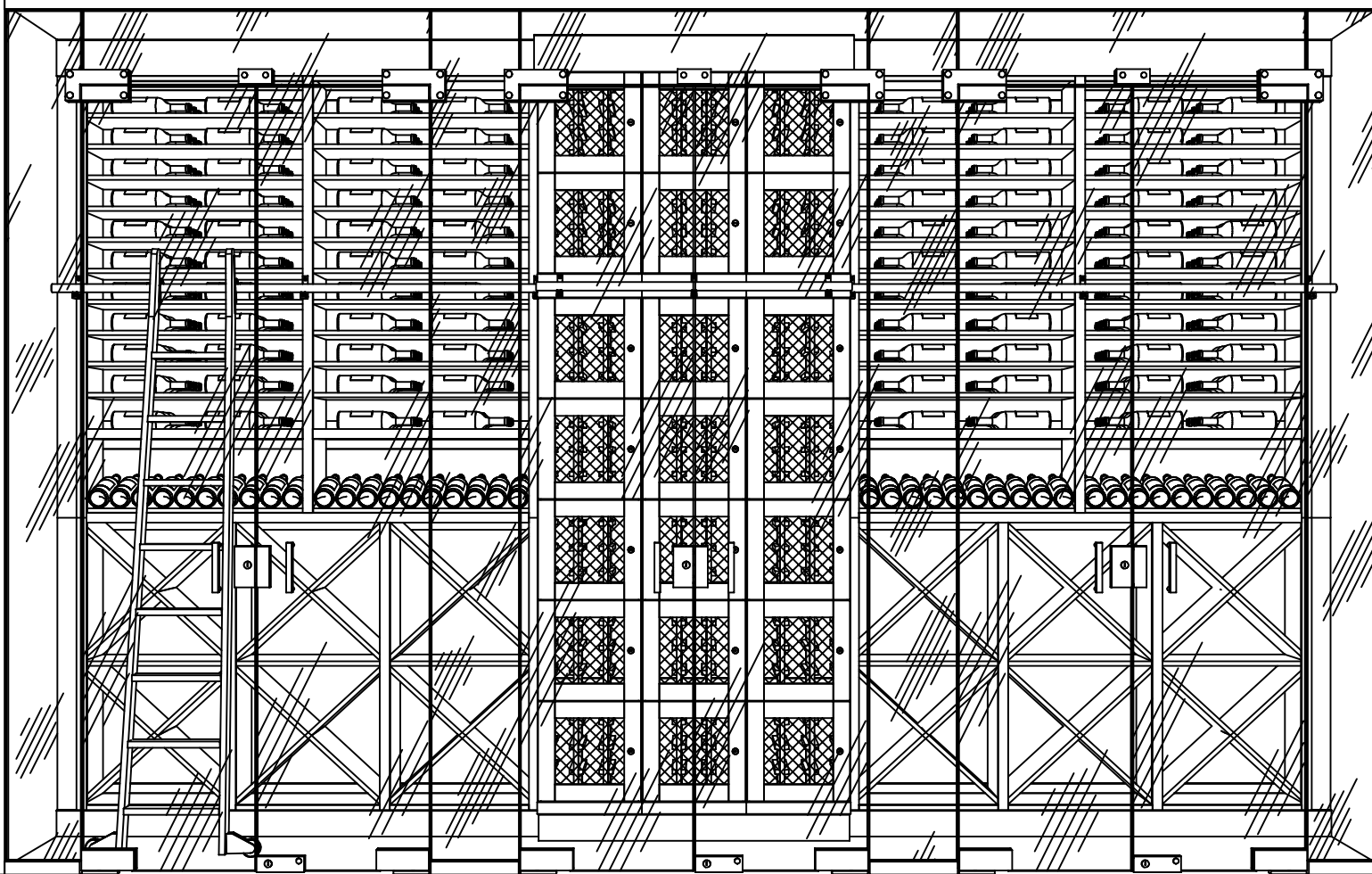
**NOTES:**  
1.- 11/16" THICKNESS  
2.- PRODUCTION TOLERANCE 0-1/16"  
3.- ALL DIMENSION HAVE TO VERIFY ON FIELD

REVISION:

APPROVED BY:

**0**

DATE:



ISOMETRIC

PAGE: 3



**JOB No. WCHQ-019**

**JOB NAME:**  
Persimmon Road

**DATE:** MAR/21/24

**DRAW:** TRO

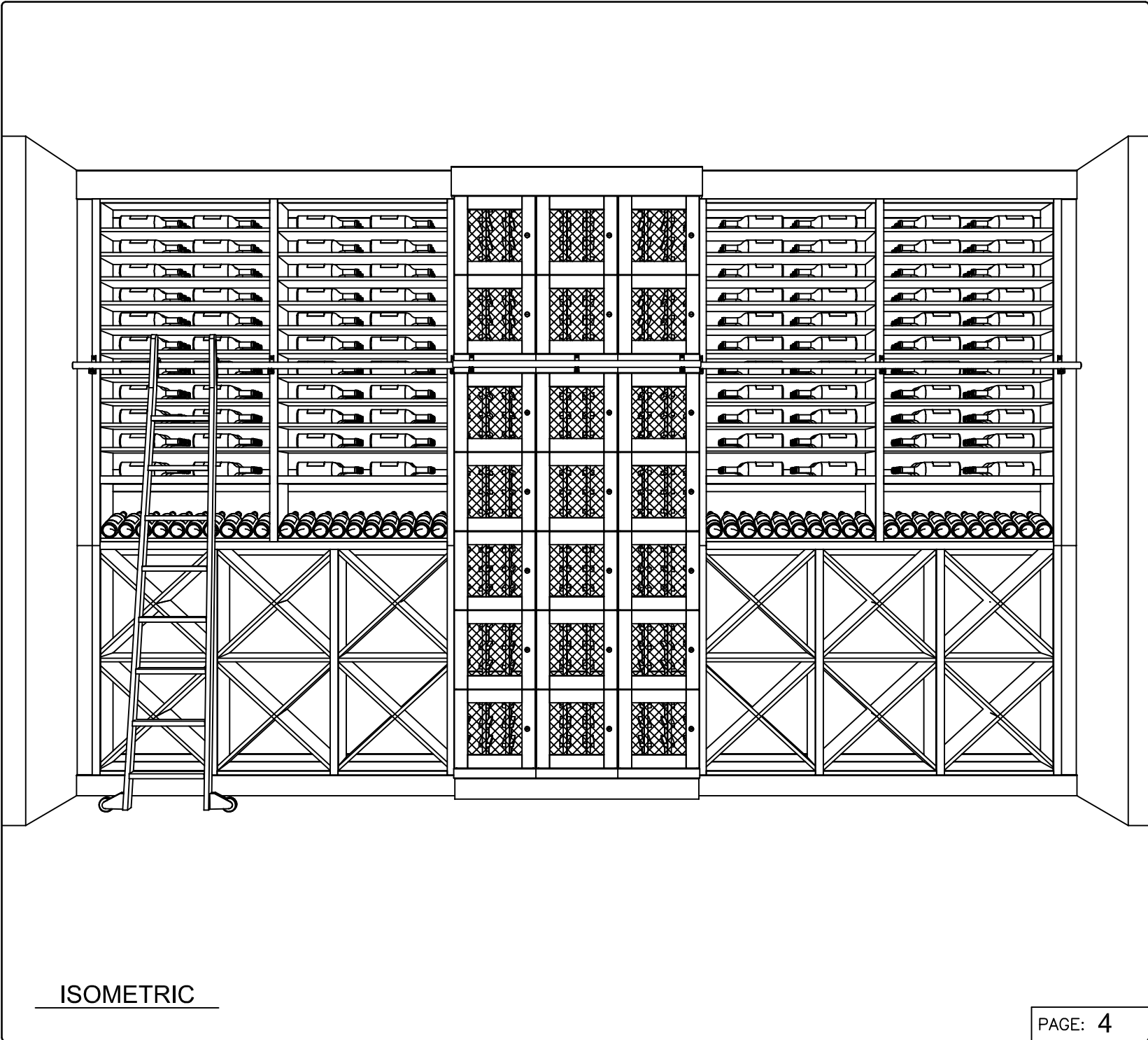
**NOTES:**  
1.- 11/16" THICKNESS  
2.- PRODUCTION TOLERANCE 0-1/16"  
3.- ALL DIMENSION HAVE TO VERIFY ON FIELD

REVISION:

APPROVED BY:

**0**

DATE:



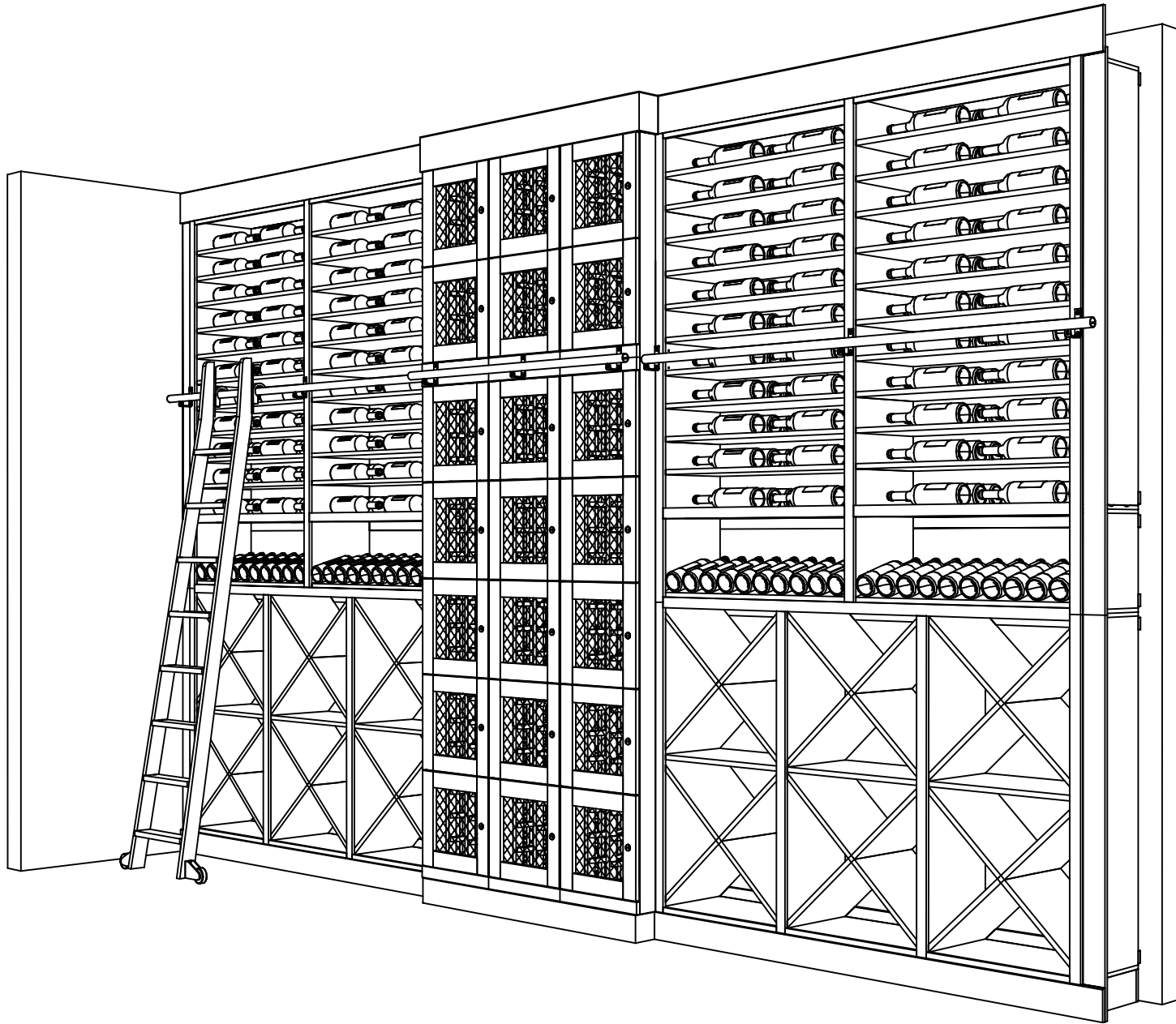
ISOMETRIC

PAGE: 4



**JOB No. WCHQ-019**  
**JOB NAME:**  
**Persimmon Road**  
**DATE: MAR/21/24**  
**DRAW: TRo**  
**NOTES:**  
 1.- 11/16" THICKNESS  
 2.- PRODUCTION TOLERANCE 0-1/16"  
 3.- ALL DIMENSION HAVE TO VERIFY ON FIELD

**REVISION:**  
**0**  
**APPROVED BY:**  
 DATE:



ISOMETRIC

PAGE: 5



**JOB No. WCHQ-019**

**JOB NAME:**  
Persimmon Road

**DATE:** MAR/21/24

**DRAW:** TRo

**NOTES:**  
1.- 11/16" THICKNESS  
2.- PRODUCTION TOLERANCE 0-1/16"  
3.- ALL DIMENSION HAVE TO VERIFY ON FIELD

REVISION:

APPROVED BY:

**0**

DATE: