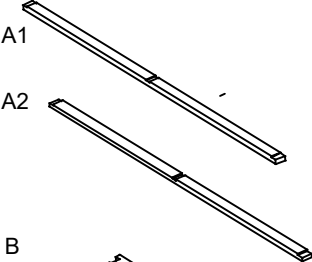


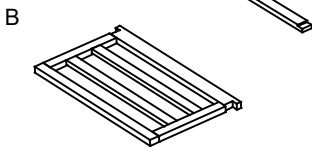
STACKABLE WINE RACK CUBE OPEN

PARTS & HARDWARE

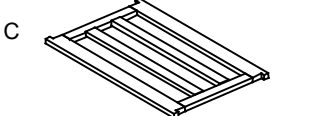
SIDE BAR :
 A1. Frame Part : 4 pcs
 A2. Center Part : 4 pcs



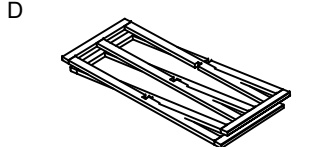
B. Top and Bottom Part : 2 pcs



C. Center Shelf Part : 1 pcs



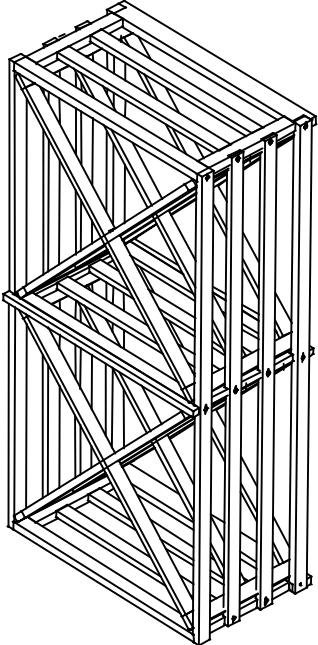
D. Cross up and bottom Self Part : 2 pcs

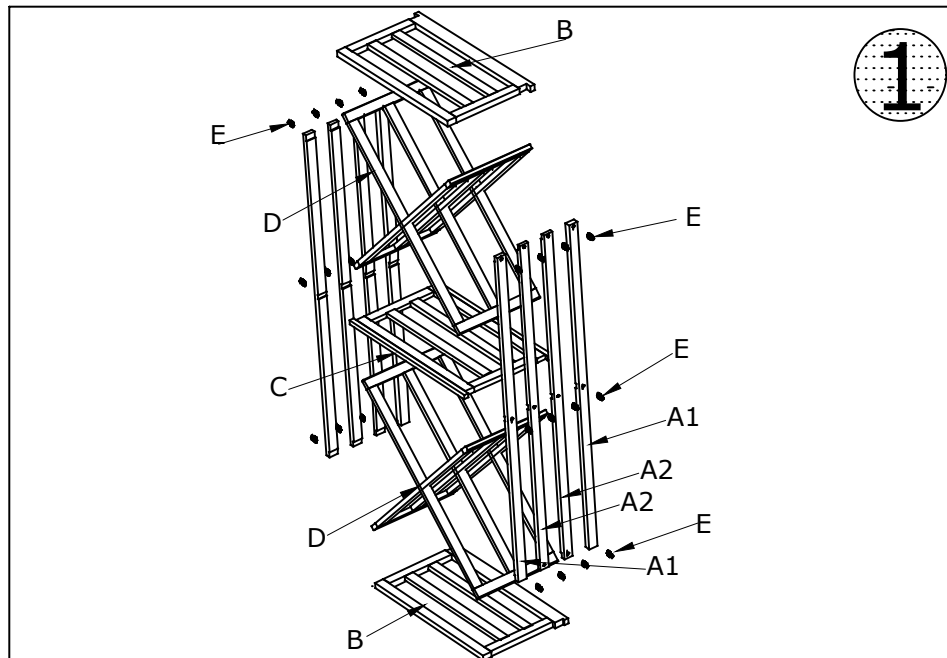


E. Screw : 24 pcs

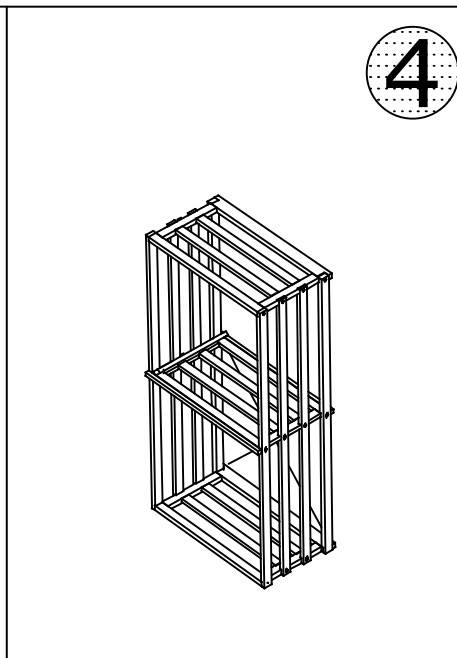


STACKABLE WINE RACK CUBE OPEN

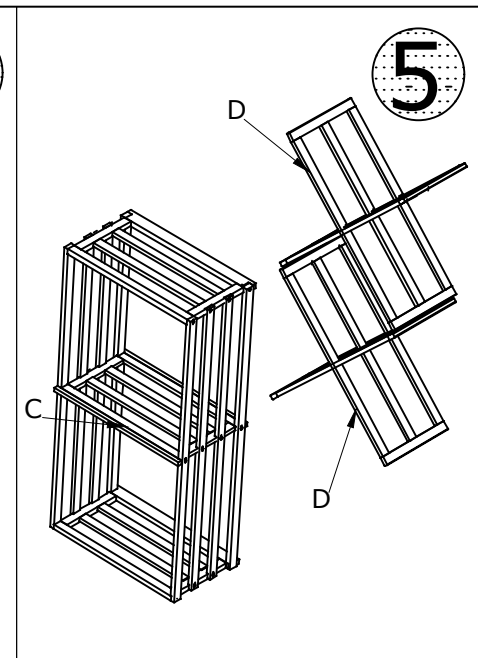




1



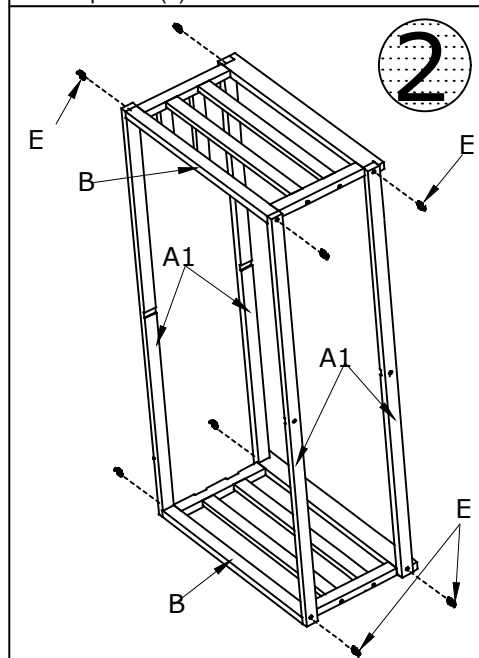
4



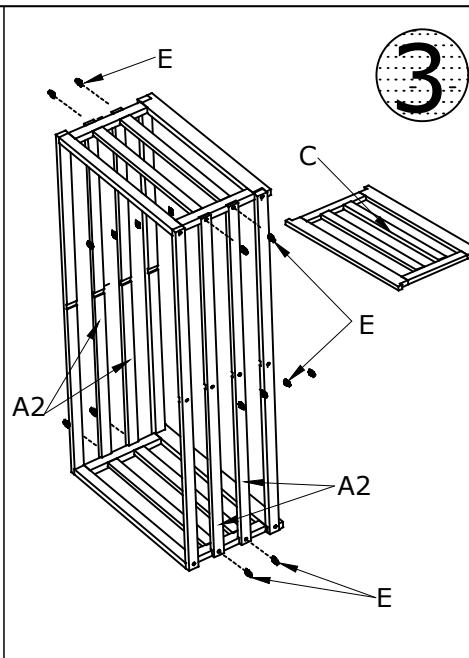
5

1. Picture (1) it shows Part and Hardware.
 2. First install The Side Part(Frame Part A1), to the Top and Bottom Part (B) by using Screw(E), see picture (2).

5. After all set stand this part, then place the Cross up and Bottom Part(D) to both Top and Bottom of the Center Shelf Part(C), See picture (5).

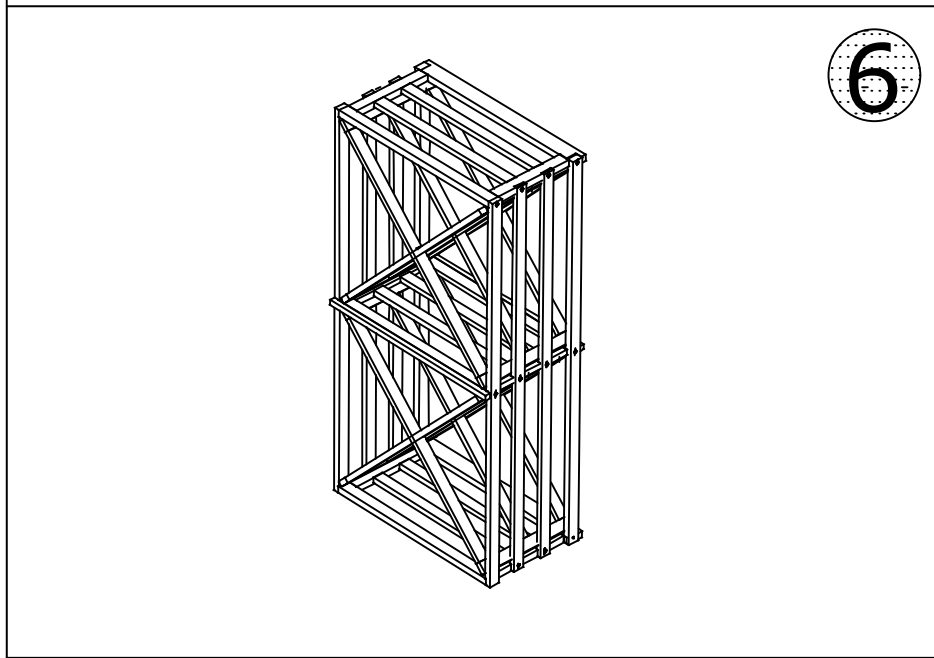


2



3

3. Then apply the Center Part (Frame Part A2) attach to the Top and Bottom Part (B) by using screw (E), see picture (3) completely installation.
 4. Apply the Center Shelf Part (C) correctly, see picture (4),



6

6. Picture (6) it shows Assembled Stackable Wine Rack Cube Open