

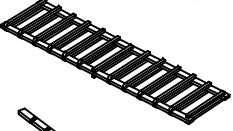








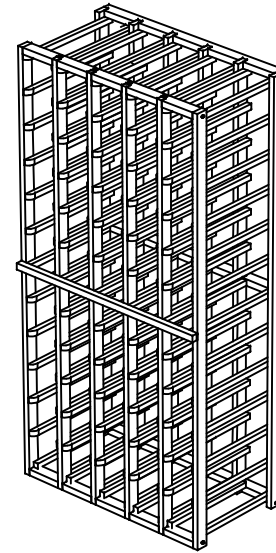
## STACKABLE RACK 5 COLOUMN

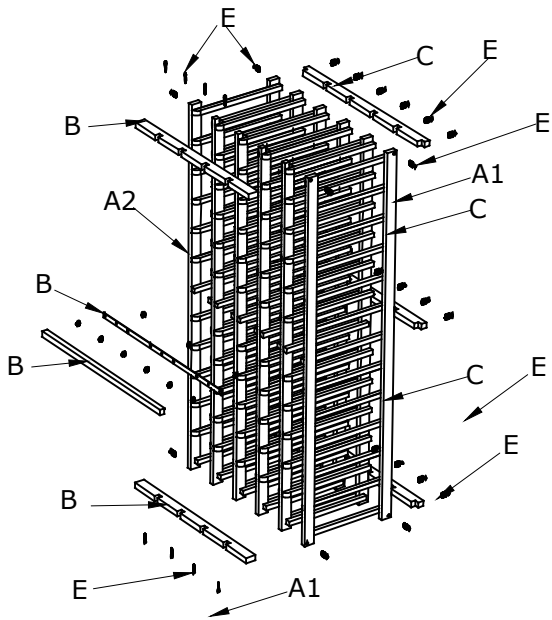
### PARTS & HARDWARE

A1. Left Side	: 1 pcs	: A1	
A2. Right Side	: 1 pcs	: A2	
A3. Center Part	: 4 pcs	: A3	
B. Top and Bottom Front Bar	: 2 pcs	: B	
C. Top, Center, Bottom Back Bar	: 3 pcs	: C	
D. Center Front Trim	: 1 pcs	: D	
E. Black Screw Ø8x11/4"	: 34 pcs	: E	
F. Metal Front Support and Center Lis Screw Ø6x1/2"	: 11 pcs	: F	
G. Metal Front Support	: 1 pcs	: G	



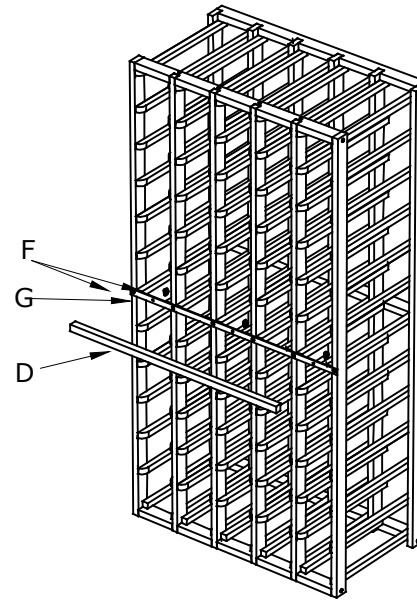
## STACKABLE RACK 5 COLOUMN INDIVIDUAL





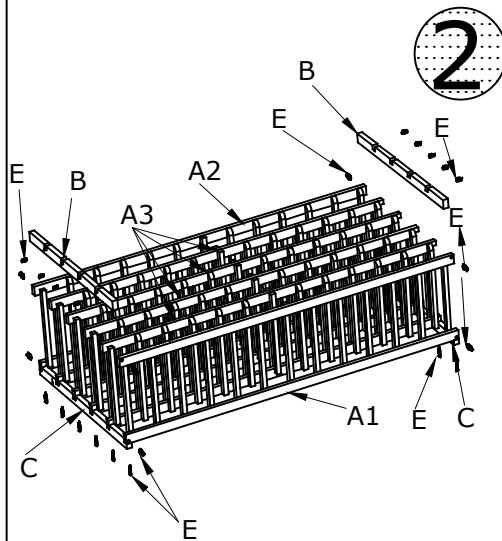
1

1. Picture (1) shows Part and Hardware.

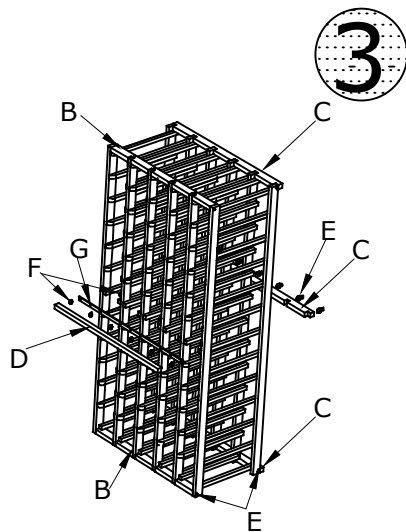


4

4. After all set stand this part then install Metal Front Support (G) with screw (F) then install Center front Trim (D) with screw (F) from inside the rack, see picture 4.

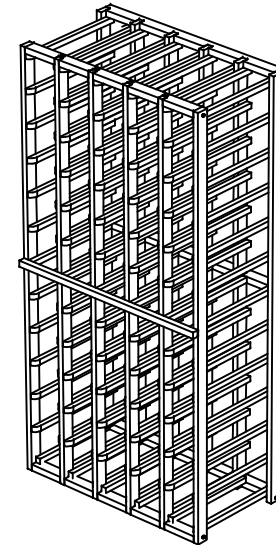


2



3

2. Attach the Left Side (A1), Right side (A2) and Center Part (A3) to the Top and Bottom Back Bar (B) With using screw (E), Do this by laying them on the floor, see picture 2.  
 3. Then install Top and Bottom Front Bar (B) With screw (E) into the holes from up and bottom Bar (B), then install Center Back Support (C) with Screw (E), see on picture (3) completely in installation.



5

5. Picture 5 it shows Assembled Stackable Rack 5 Column Individual