

Vino Pins for Masonry Surfaces

Installation instructions for Vino Pins using concrete anchors



Included Parts

- (1) Vino Pins Neck
- (1) Vino Pins Base
- (1) 8.5"x11" Plotting Guide
- (2) 2 Wedge Anchor Bolts (sold separately)

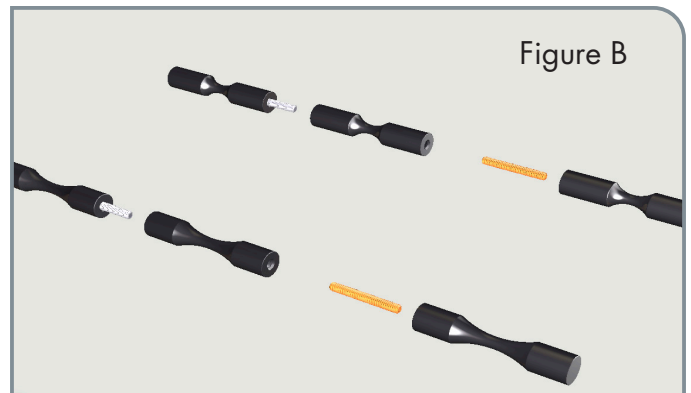
Optional Parts

- (1 or 2) Vino Pins Neck Extension
- (1 or 2) Vino Pins Base Extension
- (2) Vino Pins Magnum Spacers
- (2) Vino Pins Collars

Required Tools

- (1) Level
- (1) Drill
- (1) 6mm masonry drill bit

Important Note: These installation instructions are only for attaching Vino Pins for 750ml, Champagne, and Magnum wine bottles to solid masonry or concrete surfaces). Masonry anchors sold separately.



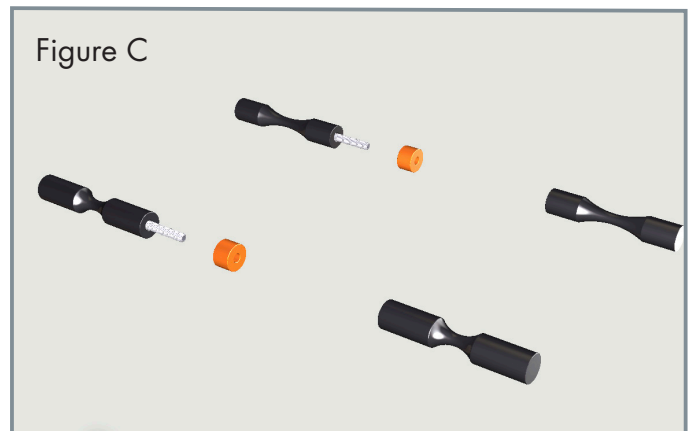
1. MARK MOUNTING HOLE LOCATIONS

Use a level to ensure the printed mounting template is horizontal along the long edge (Figure A), mark hole locations by piercing the template with a pencil or sharp object at the center the two (2) marks corresponding with the bottle direction chosen. Mounting holes will be offset by 5/8" (16mm) and 7-1/2" (191mm) apart for 750ml bottles and 8-1/2" (216mm) 1.5L bottles.

Pro Tip: To plot additional Vino Pins in the same column, mark a minimum of 5" (127mm) above or below each mounting hole for next set of Vino Pins.

2. (OPTIONAL) EXTEND VINO PINS

If using Vino Pins extensions (sold separately), thread a stud into one end of the base extension Pin and screw the starter base Pin onto the remaining exposed end and firmly hand tighten (Figure B).



Connect any additional extensions (up to three total bottles deep for 750ml bottles) in a similar fashion and repeat this process for the neck pins.

Pins can extend to two bottles deep for Magnum or Champagne bottles and require one (1) Magnum Spacer to be inserted between each Starter and Extension Pin (Figure C).



3. INSTALL ANCHORS

Drill a 6mm hole 1-1/2 inches (38mm) deep at the marked locations (Figure D). Remove as much of the dust from the holes as possible and push the Wedge Anchors into the holes.

Tap the anchors into the holes with a hammer leaving approximately 7/8 inch (22mm) of the anchor exposed (Figure E).

4. INSTALL PINS

Locate the lower of the 2 anchors in your wall and ensure that you have the base side Vino Pin (the side with the longer curve in it). Screw the Vino Pin on clockwise and firmly hand-tighten in place (Figure F). Repeat the process for the neck pin in the higher anchor hole.

If installing optional Collars, slide the Collars over each Anchor before fastening the Pins.

5. ADD WINE

Only the good stuff.

PRODUCT CARE

The Vino Pins should be regularly checked for tightness. Should any Vino Pin be found to be loose, tighten by hand until secure. Care must be taken when cleaning your racks.

Please use:

- A dry dusting cloth
- Compressed air cans
- Rubbing alcohol and a clean cloth to remove grease, oil, or other substances

Avoid:

- Dish soap
- Household cleaners
- Abrasive materials
- Any chemicals

Our racks are covered by a limited lifetime manufacturer's warranty. Learn more at vintageview.com/warranty

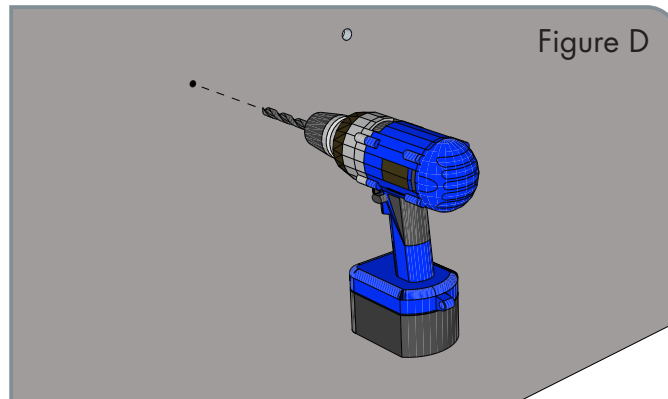


Figure D

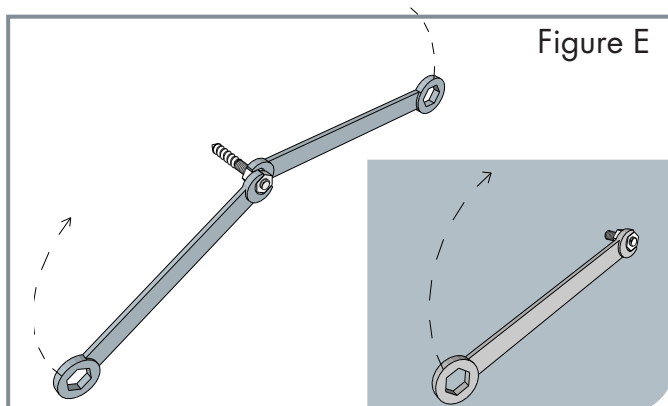


Figure E

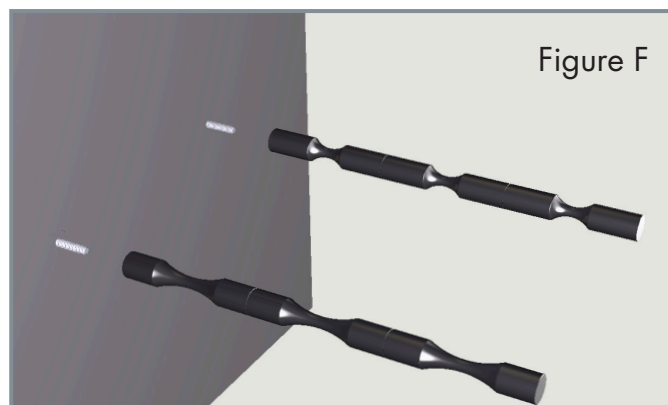


Figure F

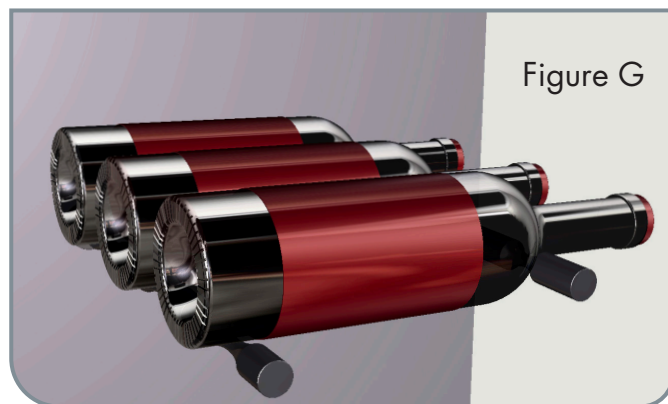


Figure G

