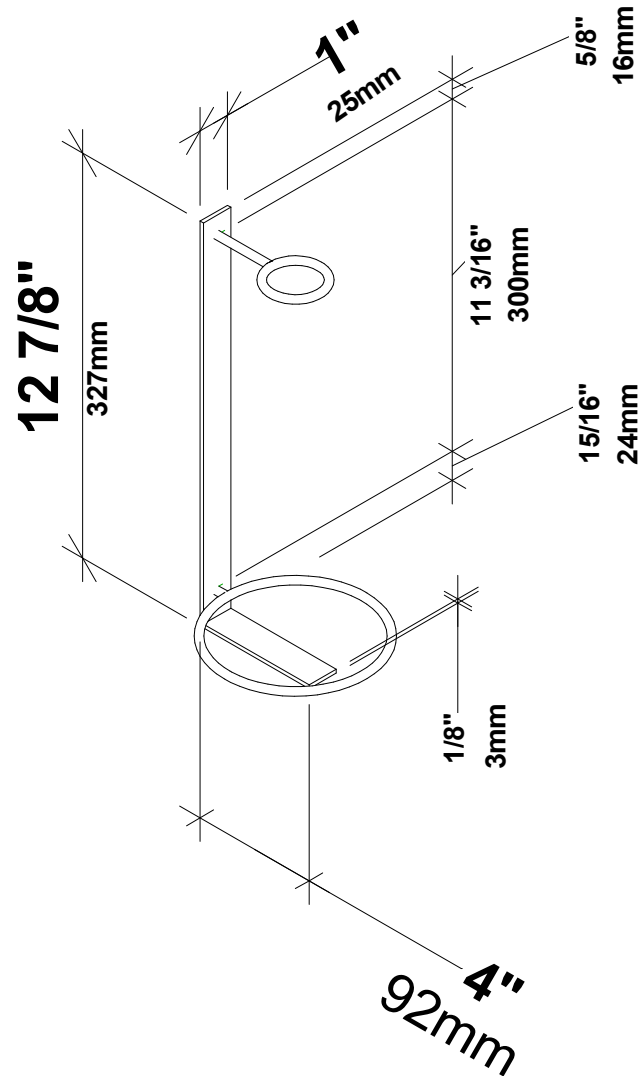


# W Series Magnum Perch

Spec Sheet for (FCF-MPERCH) single-bottle vertical wine rack



## With bottles...

Please account for 15" width  
with most 1.5L wine bottles stored.



VINTAGEVIEW®  
MOVING WINE STORAGE FORWARD

4690 Joliet St., Denver, CO 80239 | phone: 866.650.1500 | fax: 866.650.1501 | [VintageView.com](http://VintageView.com)

For product warranty information, please visit [vintageview.com/warranty](http://vintageview.com/warranty)