





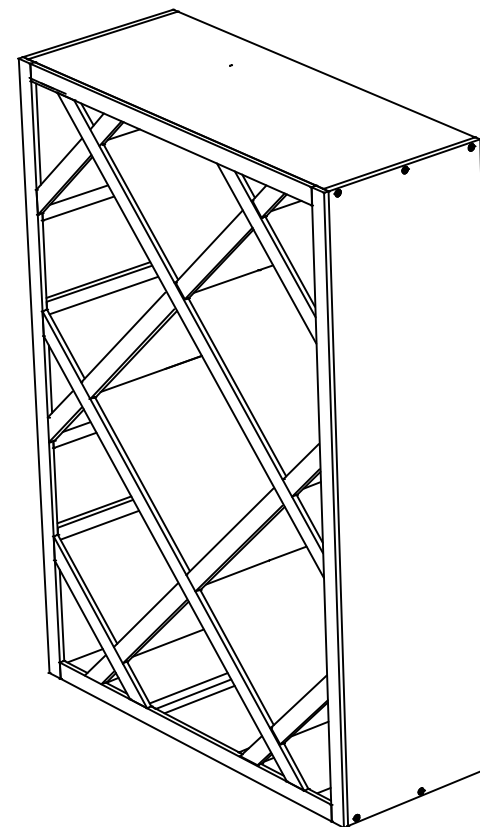


STACKABLE INDIVIDUAL DIAMON BIN PARTS & HARDWARE

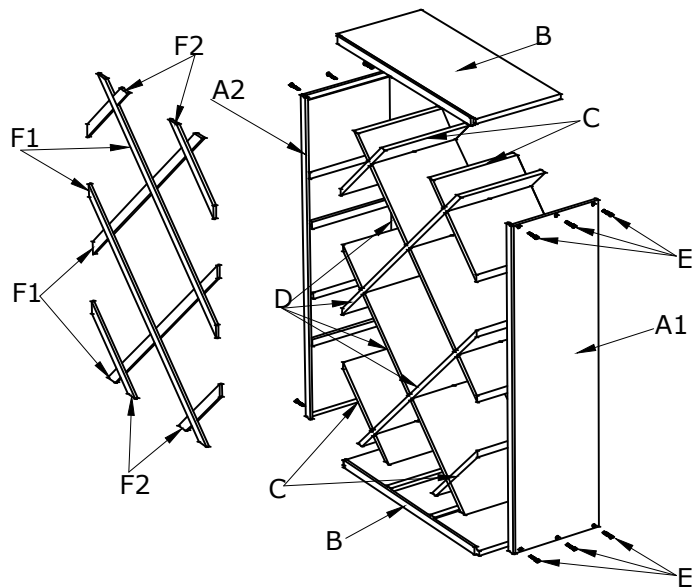
A1. Left Side	: 1 pcs	: A1	
A2. Right Side	: 1 pcs	: A2	
B. Top and Bottom Bar	: 2 pcs	: B	
C. Short Cross Bar	: 4 pcs	: C	
D. Lounge Cross Bar	: 4 pcs	: D	
E. KD Bolt	: 12 pcs	:	
F1. Lounge Front Trim	: 4 pcs	:	
F2. Short Front Trim	: 4 pcs	:	



STACKABLE WINE RACK DIAMOND BIN

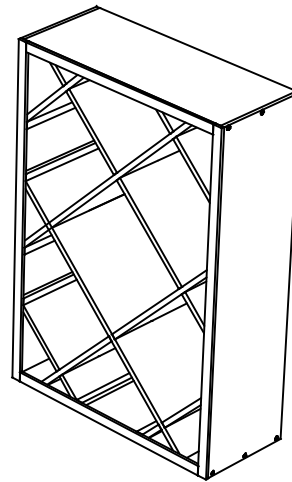


1

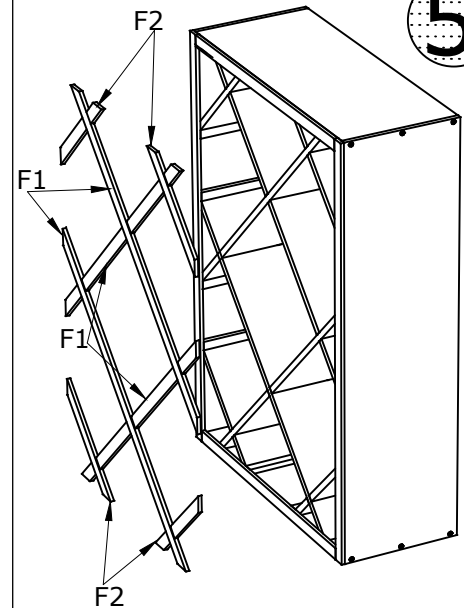


1. Picture (1) shows the parts and hardware.

4

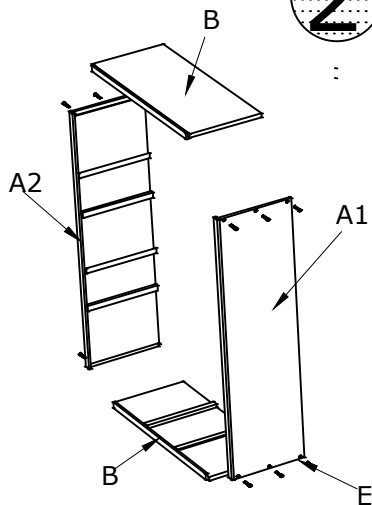


5

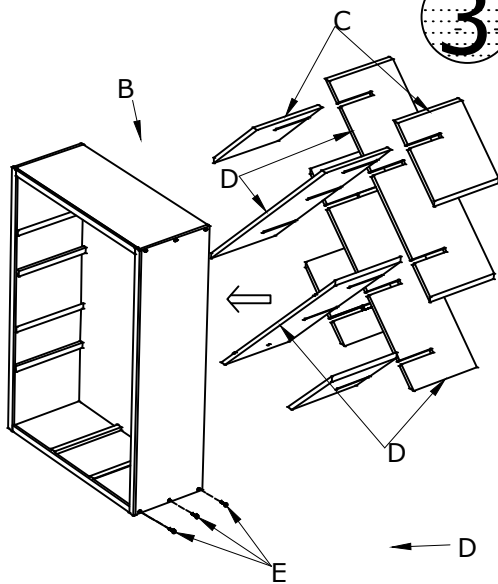


4. After all is set, stand this part then attach the front trim part (F1) long trim bar and F2 short trim bar on the cross center shelf part by using air nailing, see picture 5.

2

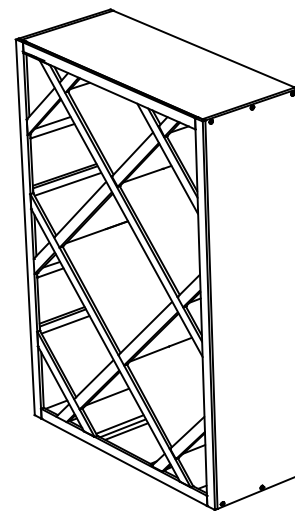


3



2. Attach the left side (A1) to the top and bottom bar (B) by using KD bolts (E), see picture (3).
3. Then install the cross center shelf part: short cross bar (C) and long cross bar (D), then insert on the position, step by step, see on picture (4) completely installation.

6



5. Picture 6 shows the assembled stackable diamond bin.