

*Turbo*  
KLONE™

# QUICK-START GUIDE



T24



T48



T96



T144

[www.TurboKlone.com](http://www.TurboKlone.com)

# TurboKlone 24/48/96/144

## Congratulations on your purchase of a new TurboKlone!

TurboKlone's fresh thinking and improved technology let you do more... with less!

MORE sites	LESS energy consumption
MORE oxygen	LESS destructive heat
MORE functionality	LESS wasted space

For more information including video tutorials, cloning tips, and updates on TurboKlone's developing technology, go to:

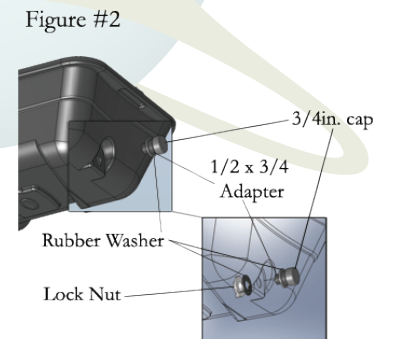
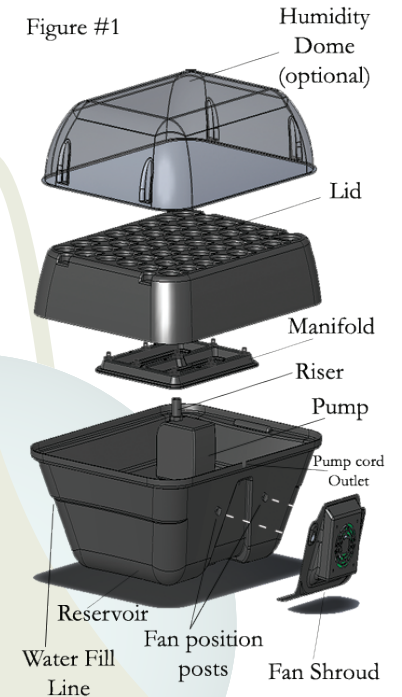
[www.turboklone.com](http://www.turboklone.com)

**We're ROOTING for you!**



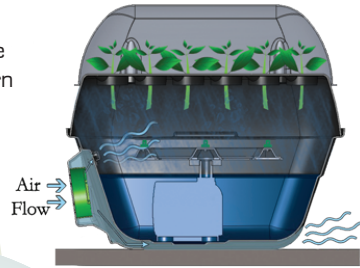
## Start Growing

1. Remove items from packaging.
2. Rinse reservoir & lid thoroughly before use.
3. Attach spray jets to top of the manifold. Do not over tighten, may strip threads (may come pre-assembled).
4. Attach 3/4inch riser to bottom of manifold. Attach opposite end of riser to the water pump.
5. Position pump at bottom of reservoir. Secure electrical cord through outlet at upper lip of the reservoir sidewall.
6. Attach drain assembly/cap securely over outlet at bottom of reservoir (may come pre-assembled). See Figure #2.
7. Attach fan shroud to sidewall of reservoir using position posts.
8. Fill reservoir with water until pump is completely submerged or to water-fill line.
9. Place stem collars in lid. Place lid onto the reservoir. Make sure lid rests securely in place.
10. Take cutting and dip into rooting gel/hormone.
11. Place cutting into stem collar. Repeat to desired amount or system full.
12. Plug in fan and water pump and start rooting.



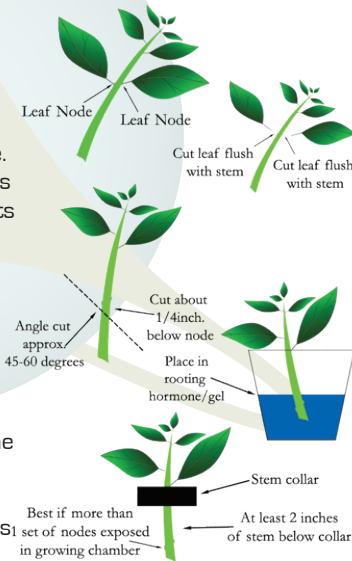
## Operating Tips

1. Unit should be placed on solid flat surface for optimal air circulation.
2. We suggest using T5 fluorescent lights. Lighting should be 8 - 10 inches above cuttings. A 16 to 18 hour lighting pattern works best for most plants.
3. Ideal water temperature range for most cuttings is between 70 F - 72 F degrees. Room temp. should be 68 F - 75 F degrees.
4. Best rooting occurs when water in reservoir has ph level between 5.7 - 5.9.
5. Optimal humidity range 50%-75%. Clean / rinse the system after each cycle.



## Taking Cuttings

1. Use healthy 'mother' plant that has begun its growth cycle. Take a cutting 3 - 6 inches in length from the top growing tips or hearty side shoots. A cutting should have at least 2 - 4 sets of leaves.
2. Trim off lower 1 or 2 sets of nodes and any flower buds. Leave at least 3 - 4 leaves at the tip.
3. Make cutting at 45-degree angle, 1/4 inch below a set of leaf nodes (nodes are points on stem where leaf has developed). Ideally, 2 - 3 sets of nodes should be left above the cut. Use a clean blade for cutting.
4. Immediately dip base of cutting in cloning gel. This prevents an embolism (air bubble) from entering the stem.
5. Place cutting in stem collar, allowing minimum of 2 inches of stem to be exposed under collar. Place collar in the lid.



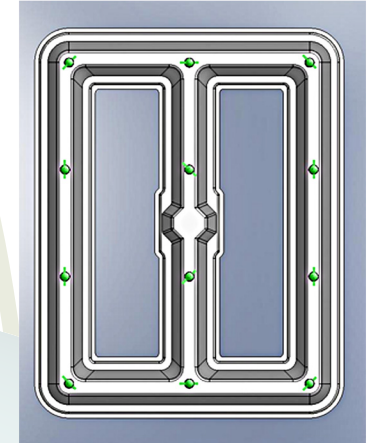
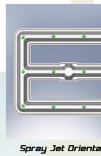
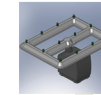
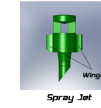
## Spray Jet T48/T96/T144

The TurboKlone 'Spray Jet' provides the best 360-degree spray pattern on the market.

To install, attach each spray jet to the top of the manifold. Secure each jet by rotating clockwise pushing down on the jet with some force. Do not over tighten as you may strip the threads.

Rotate the spray jets on the outer perimeter of the manifold - so that the 'wings' are parallel with the walls of the reservoir.

Alternate the 'wings' of the jets in the middle at 45 degree angles.

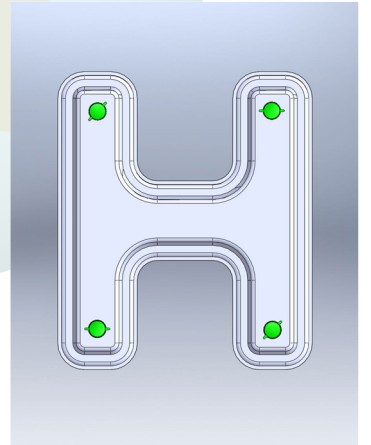
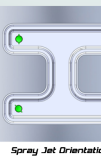
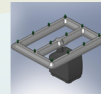
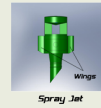


## Spray Jet - T24

The TurboKlone 'Spray Jet' provides the best 360-degree spray pattern on the market.

To install - attach each spray jet to the top of the manifold. Secure each jet by rotating clockwise, pushing down on the jet with some force. Do not over tighten as you may strip the threads.

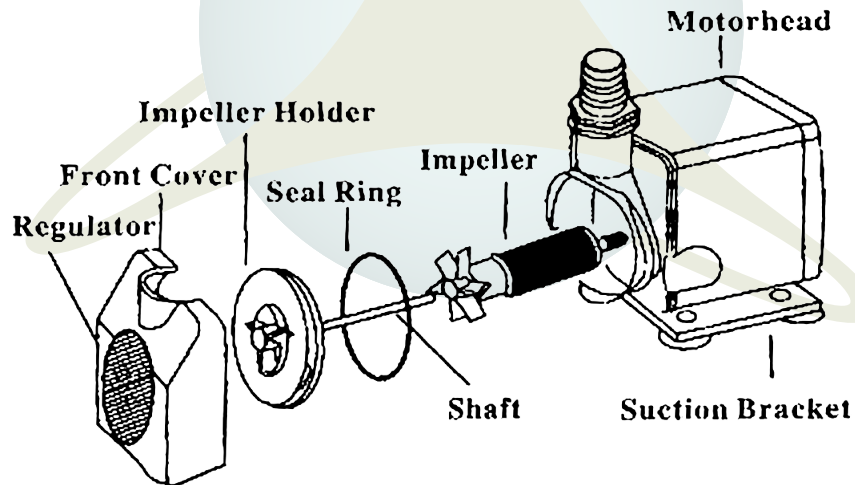
Rotate the spray jets of the T24 manifold - so that two of the 'wings' across from one another (diagonally) are straight. The other jet 'wings' opposite these should be at 45 degree angles.



# Submersible Pump Instructions

## Operation

1. Efficient output is greatly influenced by the condition of the screen. If the screen is clogged or dirty, flow will be significantly reduced.
2. If less flow is desired, rotate the flow control lever (screen) clockwise until preferred level is reached.
3. Do not allow the pump to run dry. This can damage the pump. ALWAYS SUBMERGE PUMP PRIOR TO OPERATING.
4. Air may often be trapped in the pump when first plugged in. If necessary, unplug the electrical cord then re-plug into the outlet until water begins to flow smoothly.



## Maintenance

1. To clean the pump, separate the front cover from the pump and take out the impeller. To get rid of any debris, gently scrub with a soft bristle brush or rinse under a stream of water. **WARNING: DO NOT REMOVE THE PUMP SHAFT.** If pump fails to function, check the following:
  - test the circuit breaker or try a different outlet and make sure power is reaching the pump. **CAUTION: ALWAYS UNPLUG THE PUMP BEFORE HANDLING**
  - Ensure pump outlet and tubing is free of any kinks or obstructions.
  - Make sure the screen is free any debris.
  - Remove front cover and make sure nothing is hindering the impeller from rotating.
2. Frequent maintenance will prolong the life of the pump.

### CAUTION:

TO REDUCE THE RISK OF ELECTRICAL SHOCK, CONNECT ONLY TO A PROPERLY GROUNDED OUTLET. DON'T REMOVE GROUNDING PIN FROM THE PLUG.

DO NOT CONNECT TO AN OUTLET THAT EXCEEDS THE VOLTAGE LIMITS LISTED ON THE PUMP.

ALWAYS REMOVE THE PUMP FROM THE ELECTRICAL OUTLET BEFORE HANDLING.

4. DO NOT ALLOW THE PUMP TO RUN DRY.

### WARNING:

Insure that the electrical cord loops below the electrical outlet to form a "Drip Loop." This will prevent water from running down the cord into the electrical outlet.

# Accessories

These accessories are available for all TurboKlone systems, T24, T48, T96, & T144



Humidity Dome



Klone Collars



Spray Jet



Pump



Everything Green Hydroponics, LLC  
P.O. Box 11279 • Reno, NV 89510

775.331.3798