

nextlight **150h**



USER MANUAL

1. Introduction

Thank you for purchasing a **NextLight 150h**. This manual will explain important safety information as well as proper use and general care. Also included are package contents and technical specifications.

 Please read and follow the instructions before installing and using your **NextLight 150h**.

2. Product Description

The **NextLight 150h** is a high efficiency - bright white LED grow light designed for growers looking to maximize yields in restricted spaces. The **NextLight 150h** is the most compact fixture in the **NextLight Home Series**. The **NextLight Home Series** is designed for experienced and novice home growers alike. Harnessing the quality and efficiency expected from any **NextLight** product, including the industry leading 5 Year Full Warranty.

The **NextLight 150h** has the power and versatility for all stages of plant growth. The Onboard Dimmer allows you to dial in dimming values from 0-100%, giving you precise control over your desired light intensity. The **NextLight 150h** is ideal for 2' x 2' flower footprint and 3' x 3' veg footprint.

- 150 Watts
- 2.6 PPF/W ($\mu\text{mol}/\text{J}$)
- IP65 Wet Rated
- 5 Year Limited Warranty
- Designed for use in restricted spaces and grow tents
- Flower Footprint: 2' x 2'
- Veg Footprint: 3' x 3'
- Onboard Dimming
- **NextLight's Full Spectrum** is recommended from seed to harvest
- Passively Cooled
- Plug & Play - contains power cord, power supply and mounting hardware

3. Safety Recommendations and Warnings

 Please read and follow all Safety Recommendations and Warnings before installing your **NextLight 150h**.

- Please check and adhere to all local rules, regulations and zoning codes when installing.
- The installer is responsible for correct and safe installation of light system.
- Prevent eye damage by avoiding direct eye contact with LEDs.
- Operate the light system within the temperature range of -4°F and 104°F.
- Mount the light system to something that can support the weight of the Fixture.
- Always allow for adequate ventilation of Fixture. Minimum 3" from walls/ceiling.
- **Do NOT** hang Fixture by Power Cords.
- Ensure the local cabling can support the voltage and current of the light system.
- Only use Power Cords that were supplied with your light system.
- **Do NOT** use the Fixture with damaged Power Cords.
- **Do NOT** attempt to open, rewire or reconfigure any components of the light system. It will void the warranty and could cause serious injury or death.
- Disconnect the light system from power before performing any maintenance or repairs.
- Always disconnect power from the light system before moving or cleaning it.
- **Do NOT** clean the light system with detergents, abrasives or other aggressive substances.
- **Do NOT** use the light system near flammable, explosive or reactive substances.
- **Do NOT** use any Volatile Organic Compounds (VOCs) on or near the light system. VOCs can cause damage to LEDs (including insect foggers).
- The light system is certified for use in damp locations and is protected against water projected from a nozzle. **Do NOT** submerge light system.
- Avoid any contact or force with LED array that may damage LEDs.

4. Package Contents

- 1 Fixture **x1**
- 2 NextLight Home Series Power Cord (10') **x1**
(see available *Power Cord Voltage Options*)

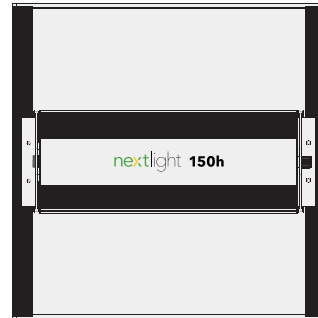
Power Cord Voltage Options



120V
(NEMA 5-15P)



240V
(NEMA 6-15P)



1

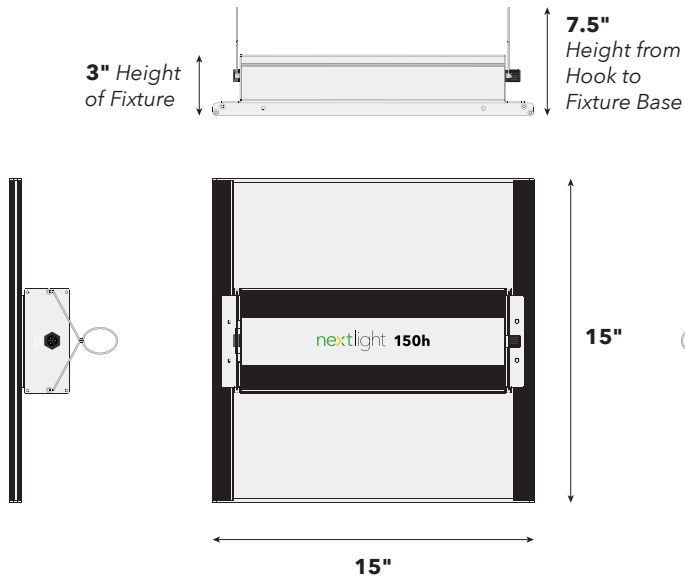


2

5. Technical Specifications

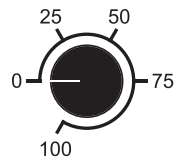
SPECIFICATION	NEXTLIGHT 150h
Operating Voltage	120-277 VAC
Operating Frequency	50/60 Hz
Input Current	1.25A @ 120V, 0.63A @ 240V
PPF	390
Energy Use	150 Watts
PPF/Watt	2.6
Operating Temperature	-4°F to 104°F (-20°C to 40°C)
BTU Output	515
Dimensions (in)	15 x 15 x 3
Dimensions (mm)	382 x 379 x 71.5
Weight	6 lbs (2.72 kg)
Warranty	5 Year Limited
Life Rating	Q90 > 50,000 Hours
Certifications	CE
Environment	IP65, Wet Rated

6. Product Dimensions



7. Onboard Dimmer

The Onboard Dimmer allows you to dial in dimming values from 0-100% giving you precise control over your desired light intensity.



8. Proper Use and General Care

Follow steps below to help your light system retain peak performance.



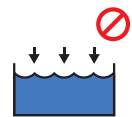
- Hang Fixture using supplied Fixture Hooks.
- Hang Fixture at a minimum of 12" from bottom of Fixture to top of plant canopy. Less than 12" distance may burn plants.
- Always allow for adequate ventilation of Fixtures to ensure your lighting system can properly cool. Failure to do so may shorten the lighting system's lifespan.
- Wipe down outside of Fixture with a damp rag. Dry thoroughly with a chamois or moist cellulose sponge to prevent water spots. All cleaning should be done with the light system unplugged from its power source.
- Avoid touching diodes with your hands, even if powered off.
- Never clean light system with detergents or abrasives.

9. NextLight Support

Please visit blazinled.com for more information.

10. Five (5) Year Limited Warranty

Please visit blazinled.com for more information.

WILL VOID WARRANTY	 VOCs	 Rewiring Fixture	 Submersion
-------------------------------	---	---	---



This product is for horticulture use only. Not suitable for room illumination.

Legal Disclaimer

NextLight products are to be used for lawful purposes only. It is the responsibility of you as the purchaser to know and abide by all laws pertaining to the use of **NextLight** products. **BlazinLED** will NOT be held liable for any unlawful state or federal activity arising out of the use of our products. By purchasing a **NextLight** product, you are agreeing to these terms and conditions, confirming that you as the purchaser are attesting to the lawful use of our product and are thereby solely responsible for acting in conformance with all applicable regulations.