



HYDROTEK
HYDROPONICS



The
**Living
Room**

Grow Tent

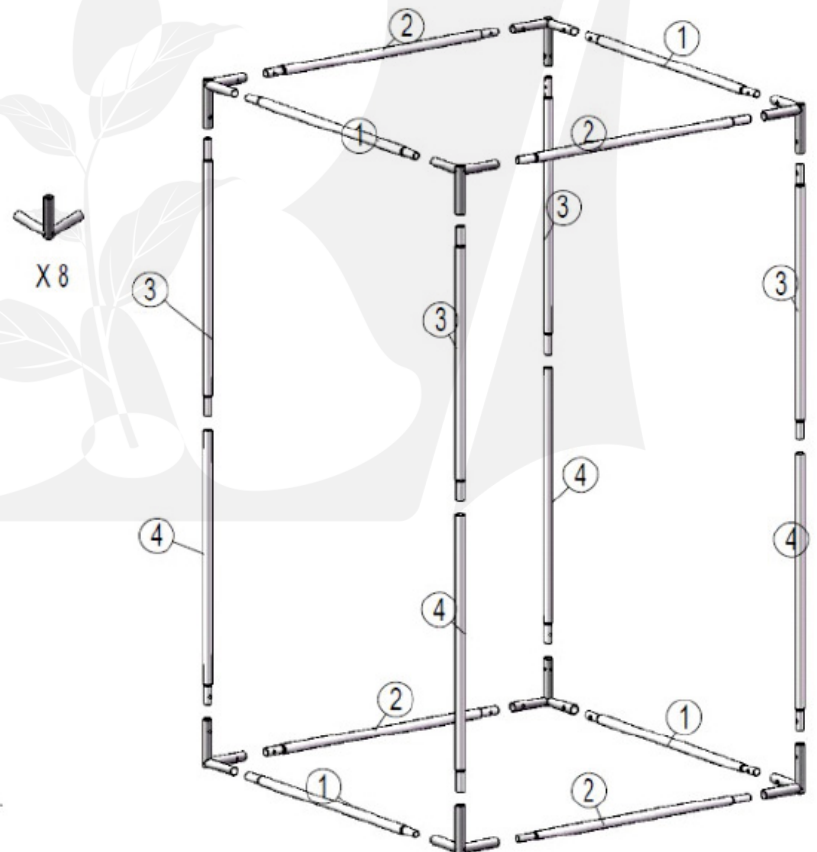
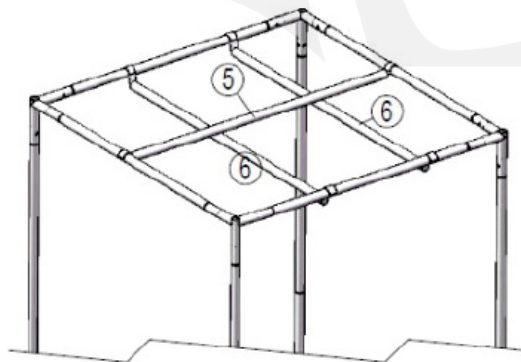
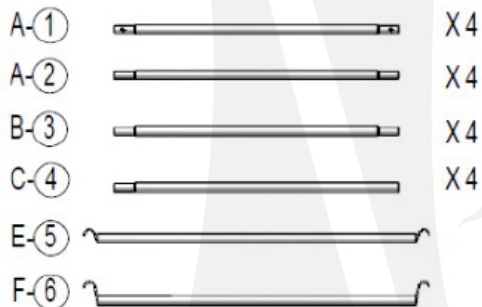
Assembly Instruction
Guide

Box Contents

Your Living Room grow tent will contain the following items:

- 4 x Pole 1(A)
- 4 x Pole 2(A)
- 4 x Pole 3(B)
- 4 x Pole 4(C)
- 1 x Equipment Support Arm 5(E)
- 2 x Equipment Support Arm 6(F)
- 8 x 3-point Frame Connectors
- 1 x Tent Material
- 1 x Floor Splash Tray

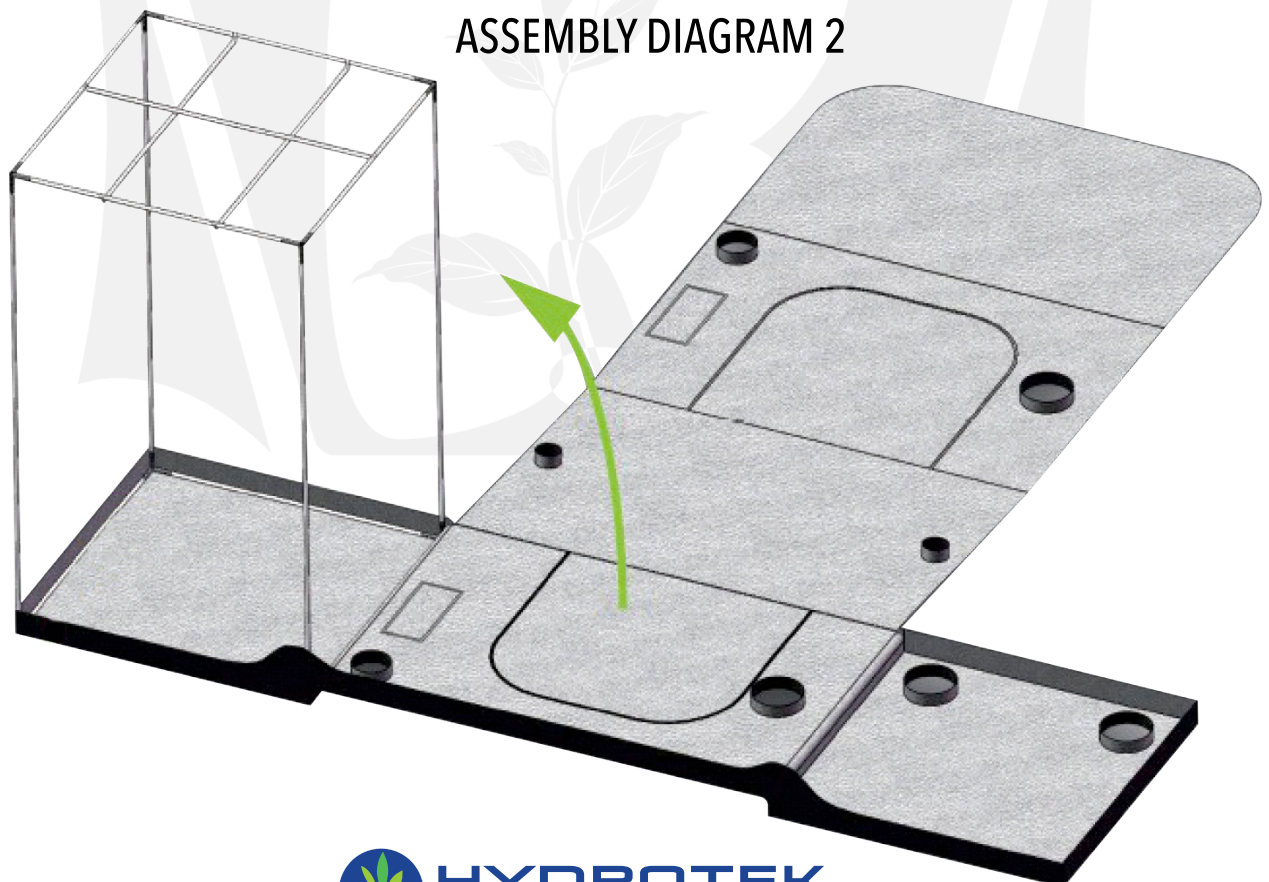
ASSEMBLY DIAGRAM 1



Installation

Please read and follow the instructions carefully for an easy and quick assembly

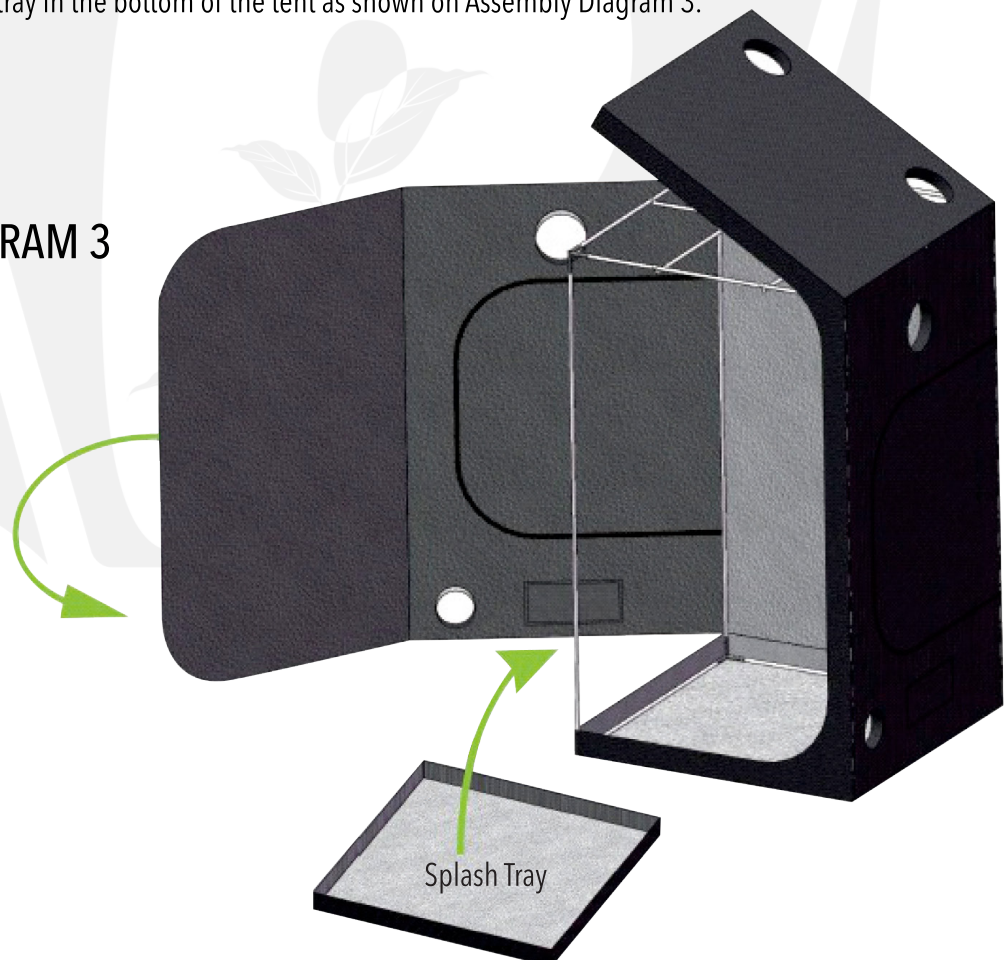
- 1** Refer to Assembly Diagram 1.
- 2** Build the frame base and top. EACH requires 2 x Pole 1(A), 2 x Pole 2(A), and 4 x 3-point Frame Connectors.
 - a. Position the Frame Connectors so that the plastic end caps of the base are face down, and the plastic end caps of the frame top are facing skyward.
 - b. Slide each pole into the frame connector until the lock pin has been engaged.
- 3** Connect the 4 x Poles 3(B) to the frame top and the 4 x Poles 4(C) to the frame base.
 - a. It may be necessary to gently twist the poles back and forth to ease insertion.
 - b. Slide each pole into the frame connector until the lock pin has been engaged.
- 4** Join together the frame base and top by connecting the 3(B) and 4(C) poles together.
 - a. It may be necessary to gently twist the poles back and forth to ease insertion.
 - b. Slide each pole into the frame connector until the lock pin has been engaged.
- 5** Position the Equipment Support Arms 5(E) and 6(F) on the frame top as shown in Assembly Diagram 2.



Installation

- 6** Unfold the tent material and place reflective side face up.
- 7** Position the frame into the tent base.
 - a. The tent base should be a firm fit. Ensure the base and the corners are taut before proceeding to the next step.
- 8** Pull the grow tent outer canvas over the constructed framework and carefully fit it onto the frame top.
See Assembly Diagram 3.
 - a. The tent top should be a firm fit. Ensure the top and the corners are taut before proceeding to the next step.
- 9** Zip the tent shut by sliding the top and bottom zippers in parallel until they meet.
- 10** Double check the corner frame connectors are properly positioned and the tent material is taut.
- 11** Insert the splash tray in the bottom of the tent as shown on Assembly Diagram 3.

ASSEMBLY DIAGRAM 3



The Living Room Grow Tent Chart

SIZE	POLE DIAMETER (1mm Thick)	EQUIPMENT SUPPORT ARMS	MAX HANGING WEIGHT PER SUPPORT	FLOOR SPLASH TRAY	WEIGHT	MODEL NUMBER
2' x 2' x 6.5' 24" x 24" x 80" 60 x 60 x 200 cm	25mm 1.00"	4	10kg 22lbs	Included	8kg 18lbs	147002
2' x 4' x 6.5' 24" x 48" x 80" 60 x 120 x 200cm	25mm 1.00"	4	10kg 22lbs	Included	11kg 24lbs	147024
3' x 3' x 6.5' 36" x 36" x 80" 90 x 90 x 200 cm	25mm 1.00"	4	10kg 22lbs	Included	11kg 24lbs	147003
4' x 4' x 6.5' 48" x 48" x 80" 120 x 120 x 200cm	25mm 1.00"	4	15kg 33lbs	Included	14kg 31lbs	147004
5' x 5' x 6.5' 60" x 60" x 80" 150 x 150 x 200cm	25mm 1.00"	4	19kg 42lbs	Included	18kg 40lbs	147005

Also Available at www.HydrotekHydroponics.com

Growlight Systems



DWC Systems



InLine Fans



Filtration



Lighting



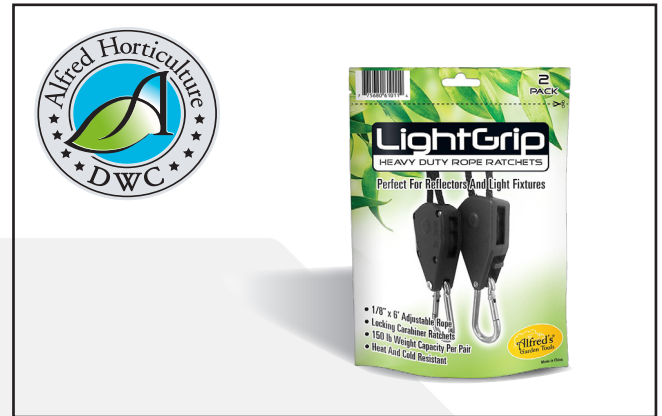
pH, TDS Testing



Ducting



Light Hangers



Pruners



Clip Fans



Timer



Speed Controller





HYDROTEK

HYDROPONICS

www.HydrotekHydroponics.com

No part of this document may be reproduced or transmitted in any form or by any means,
without prior written permission of Hydrotek Hydroponics.