

2 ft x 4 ft

**GROW KIT**

**ASSEMBLY INSTRUCTIONS**



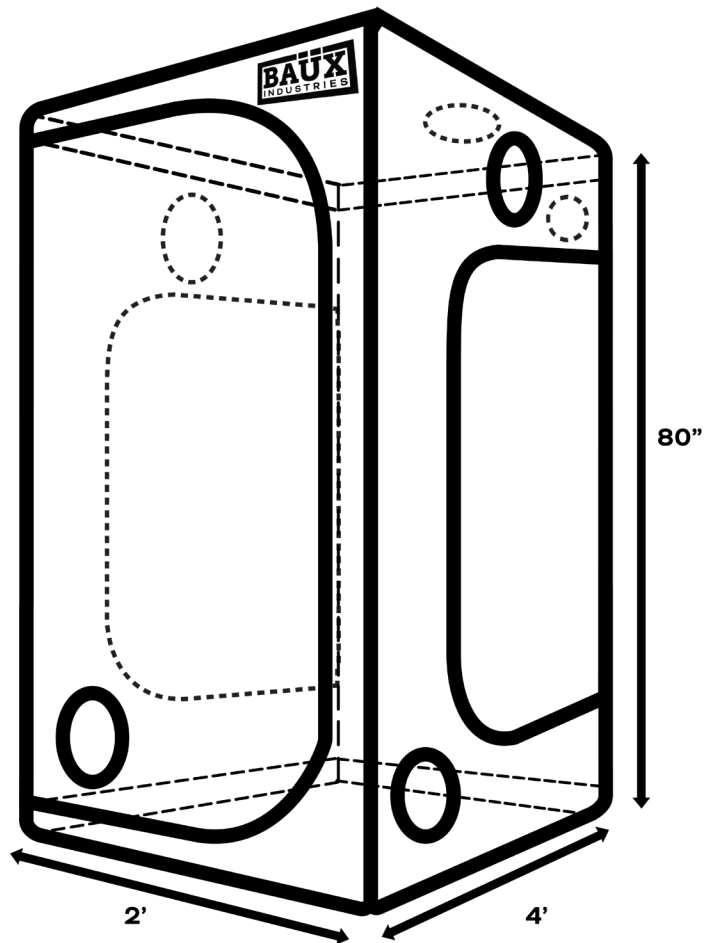
# Thank you for purchasing Baüx Industries Grow Kit

Your indoor cultivation starts now!

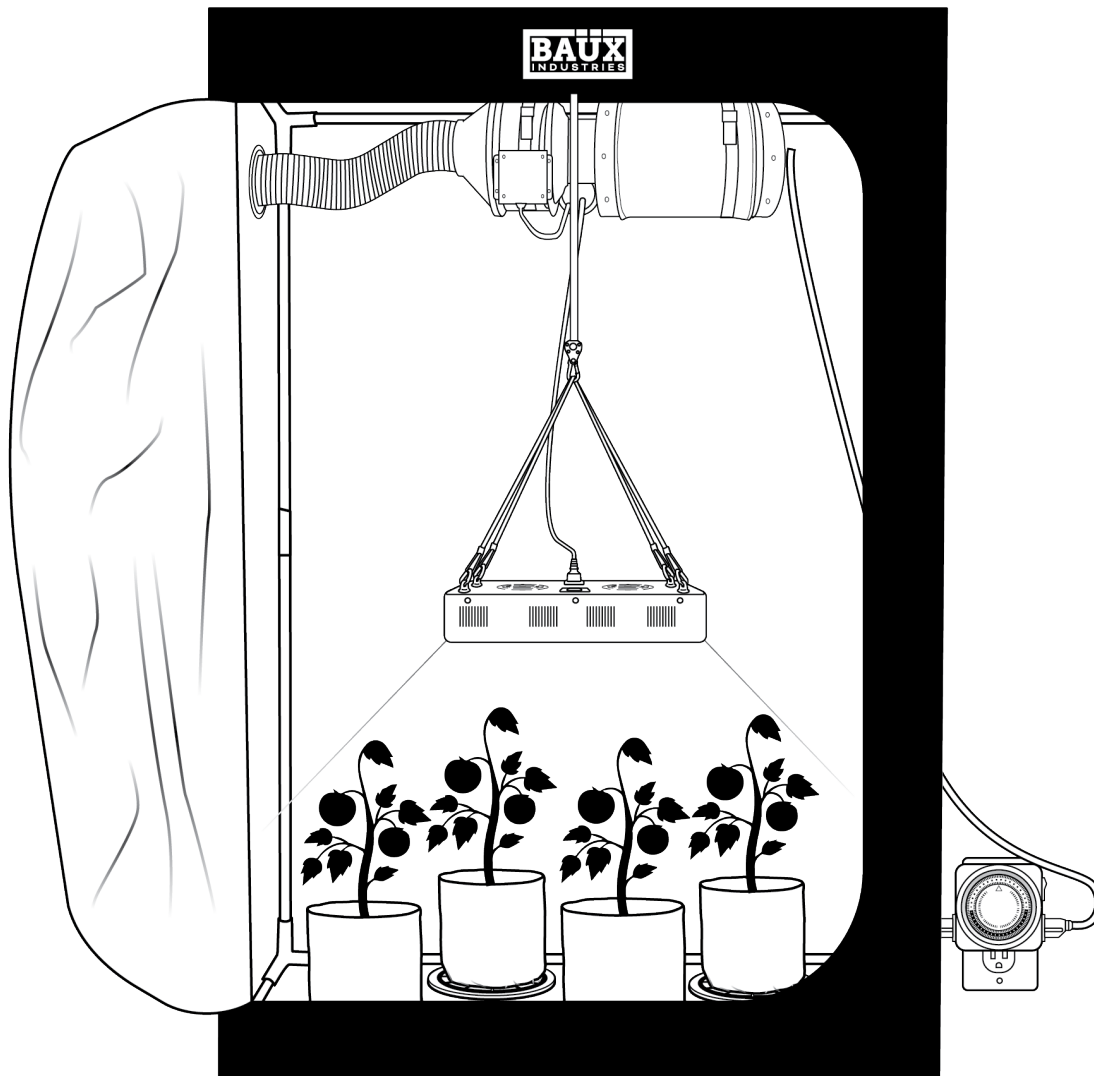
Read and follow the instructions to assemble your Grow Kit.

## CONTENTS

- 3 GROW KIT OVERVIEW
- 4-5 SETTING UP YOUR GROW TENT
- 6 SETTING UP YOUR FAN  
& FILTER
- 7 ATTACHING THE CARABINERS
- 8-9 SETTING UP YOUR LED  
GROW LIGHT
- 10 SETTING UP YOUR DUAL  
OUTLET TIMER
- 11 SETTING UP YOUR PLANT POTS
- 12 WARRANTY



## GROW KIT OVERVIEW



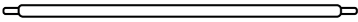
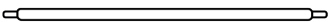




*\*Illustration purpose only. Some components sold separately. Please see "Accessories Included" for complete list of what's included within the Grow Kit package.*

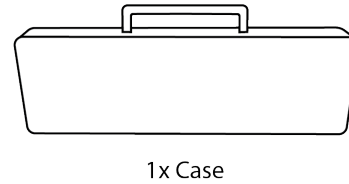
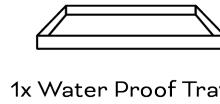
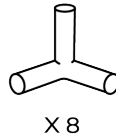
### **ACCESSORIES INCLUDED:**

- 2' x 4' x 80" Grow Tent
- 1/8 Rope Ratchet (1 pair)
- 300W Full Spectrum LED Light
- 3 Gallon Fabric Pot (x4)
- 3 Gallon Saucer (x4)
- 4" In-line Plastic Fan
- 4" x 10' Ducting
- 4" Hose Clamps (x2)
- Aluminium Foil Tape
- Charcoal Filter 200 CFM
- Dual Outlet Timer
- Filter Cover
- Fan / Filter Straps (x4)

## SETTING UP YOUR GROW TENT

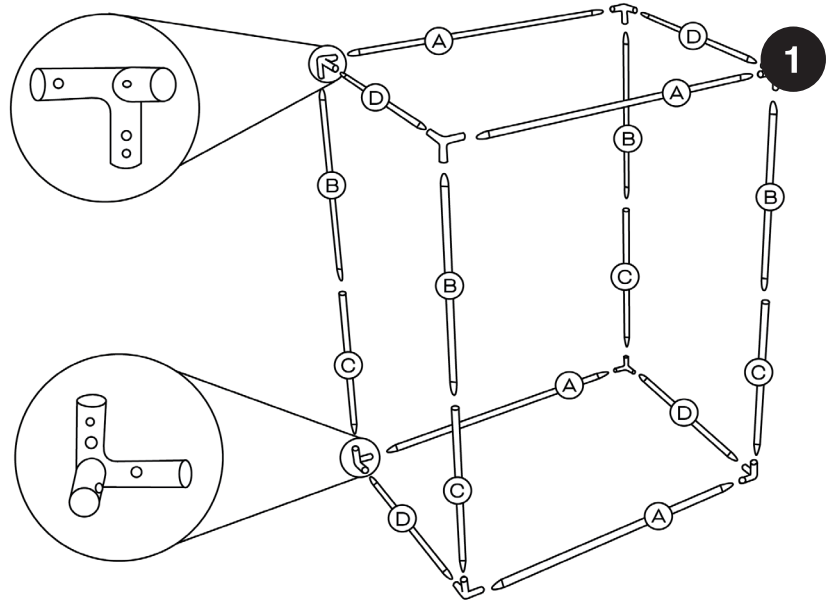
### PACKING LIST

- (A)  X 4
- (B)  X 4
- (C)  X 4
- (D)  X 4
- (E)  X 1
- (F)  X 2



### STEP 1

Connect the grow tent framework ensuring that the poles are seated properly in the corner connectors. It may be necessary to gently twist the poles back and forth until the connection tabs pop-out and lock into place. **Ensure that the corner sections with the two holes connect to "B" and "C" poles.**



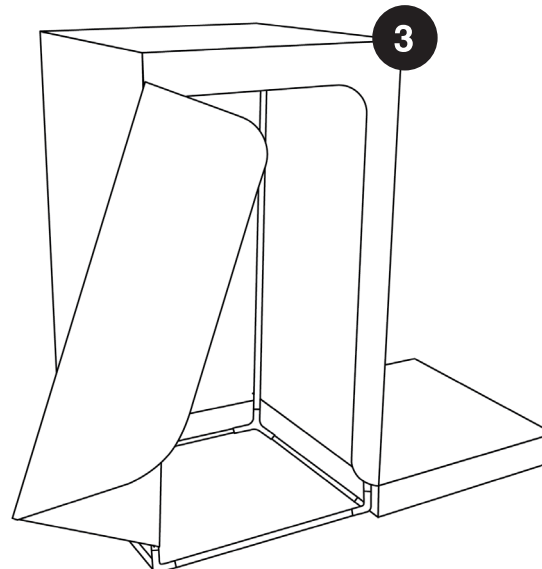
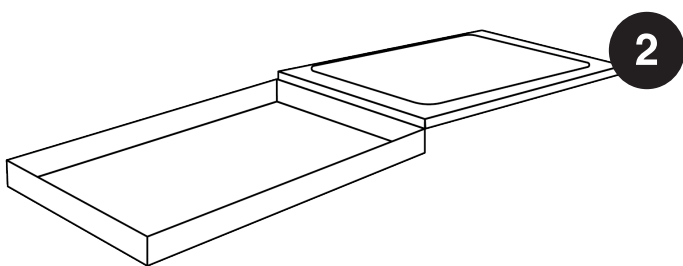
### STEP 2

Lay out the outer grow tent canvas, making sure all the zips are completely undone.

### STEP 3

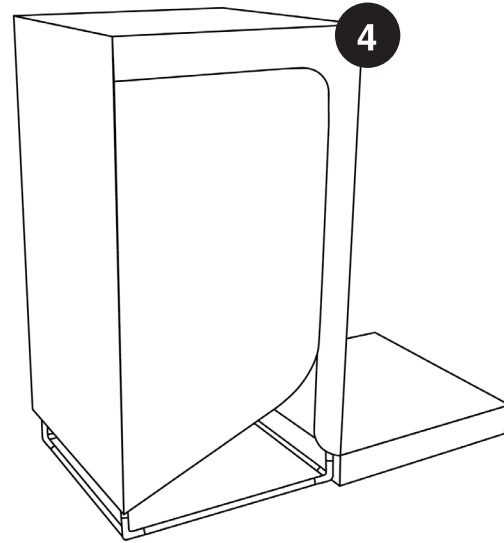
Pull the outer grow tent over the constructed framework, ensuring that the tent floor is open. Illustrated below.

*Continued on next page...*

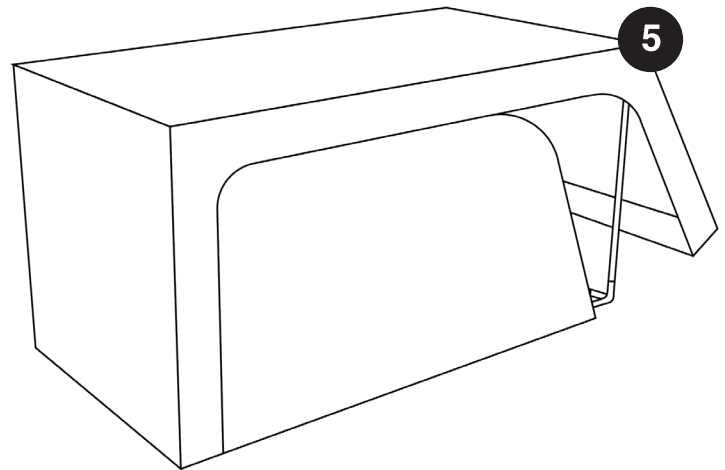


**STEP 4**

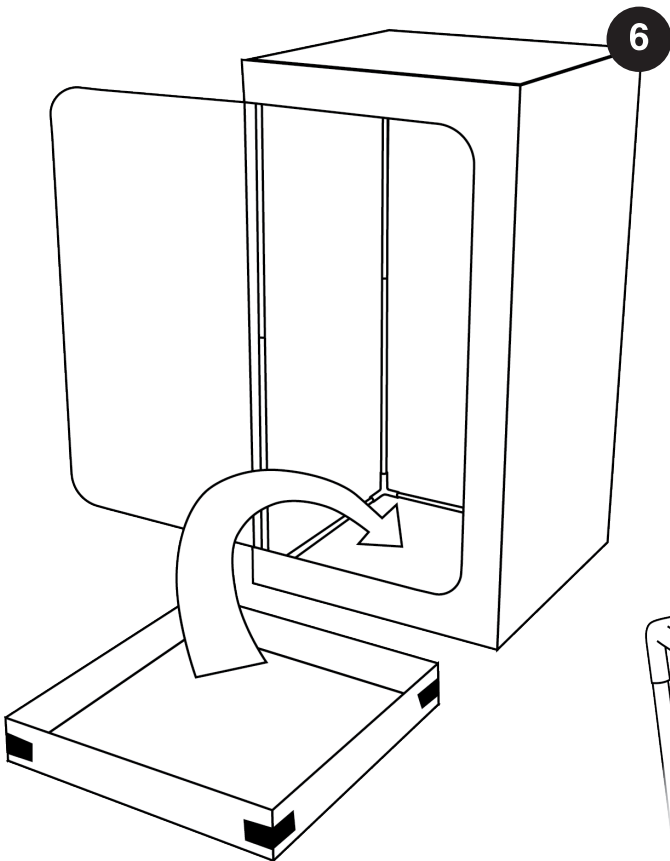
Zip up the front of the tent half way as illustrated.

**STEP 5**

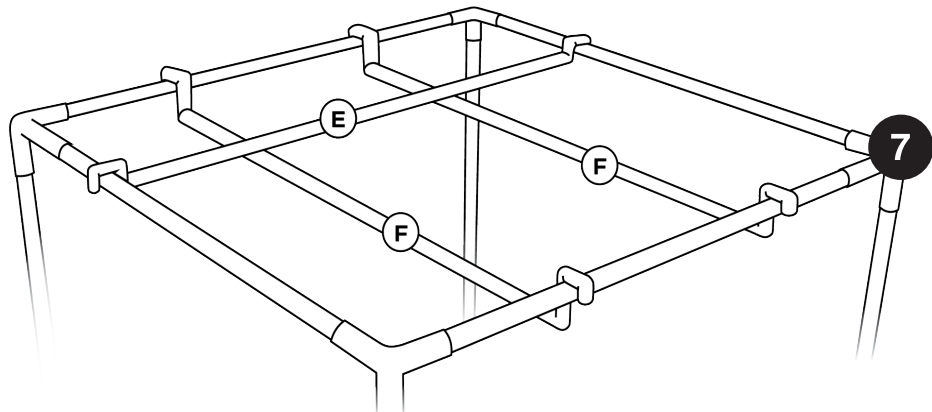
Lie the grow tent on its side and slide the base of the canvas over the bottom of the framework. Close all zips and stand the grow tent back up

**STEP 6**

Unzip the front door and place the water proof tray into the bottom of the tent. **Locate the velcro tabs around the outside top edge of the tray and fasten them to the tent framework**

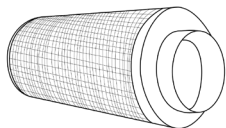
**STEP 7**

Fit the ceiling hanging bars inside the tent as illustrated.

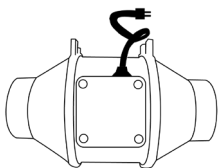


## SETTING UP YOUR FAN & FILTER

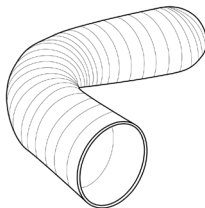
### PACKING LIST



Charcoal Filter  
200 CFM



4" In-line  
Plastic Fan



4" x 10" Ducting



2x Hose Clamp



Filter Cover



Aluminium  
Foil Tape

### STEP 1

Unpack and clean your filter with a damp cloth, ensure that you are far away from your grow space before installation.

### STEP 2

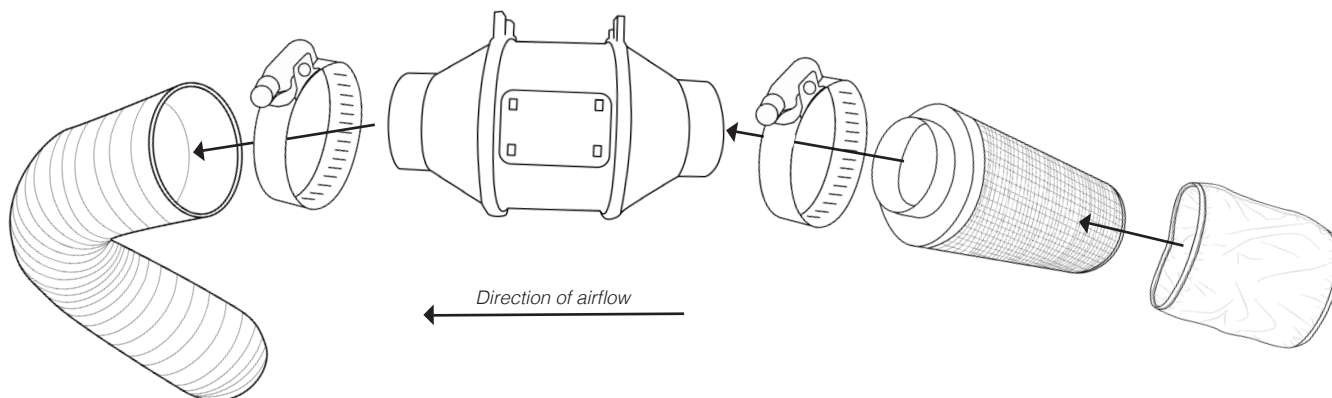
When installing your Charcoal Filter always minimize the distance between the fan and the filter. Avoid having excessive ducting, turns or elbows in the airflow between the filter and the exhaust fan. **Use the foil tape to secure the point where the in-line fan and charcoal filter meet for extra stability.**

### STEP 3

For best performance attach the fan to the filter, so that the dirty air is pulled through the filter and into the exhaust air duct.

**Sequence of equipment:** Charcoal Filter > In-line Fan > Exhaust Duct.

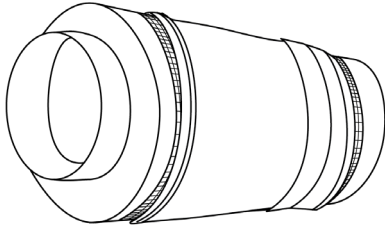
Clean the surface of your filter and wash the pre-filters regularly to prevent dust and debris from clogging the surface of the filter.



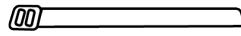
**NOTES:** Carbon Filter odor scrubbing properties are negatively affected by humidity. Always keeping the humidity below 75% (50%-60%) is ideal during the flowering cycle. This will keep your flowers healthy with less chance of bud rot, mold, mildew outbreaks and will help your carbon filter scrub odors in the most efficient way possible.

## ATTACHING THE CARABINERS

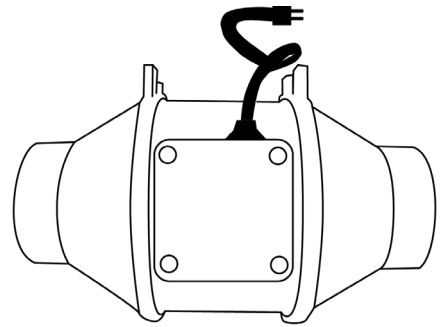
### PACKING LIST



Charcoal Filter Plus Cover



4x Fan / Filter Straps



In-line Fan

### STEP 1

Secure straps to pole "E" (upto 4).  
Leave room to slide the in-line fan and charcoal filter through.

### STEP 2

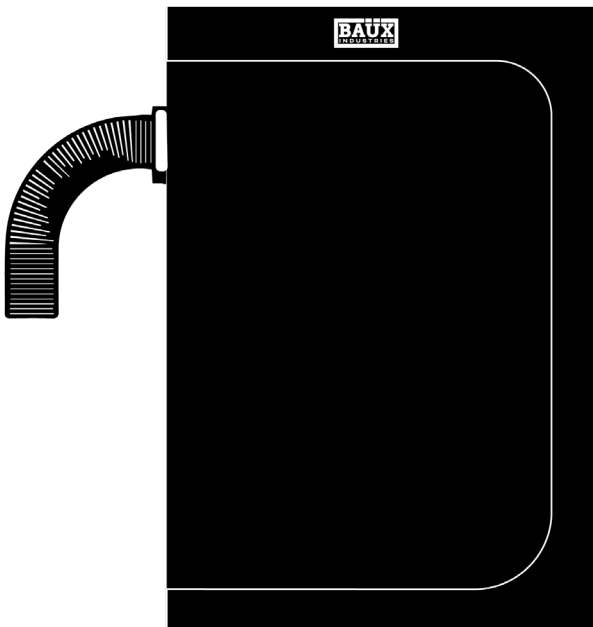
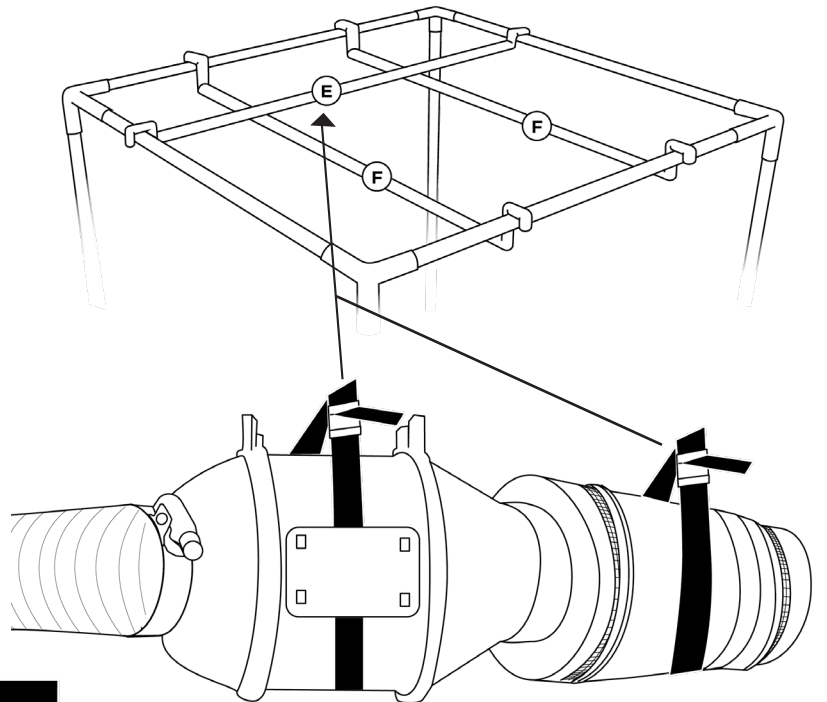
Slide the in-line fan and charcoal filter into the straps.

### STEP 3

Ensure that the In-line fan and Charcoal filter are secure and at a desired height.

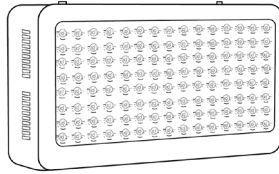
### STEP 4

Place Ducting through tent hole.  
As illustrated below.

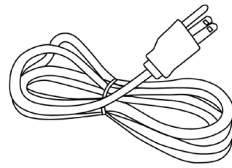


## SETTING UP YOUR LED GROW LIGHT

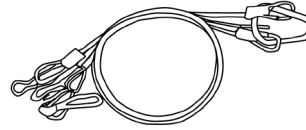
### PACKING LIST



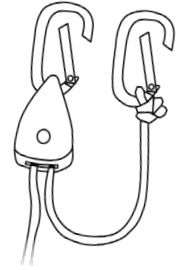
1x LED Grow Light



1x Power Cord



1x Stainless Steel Hanging Kit

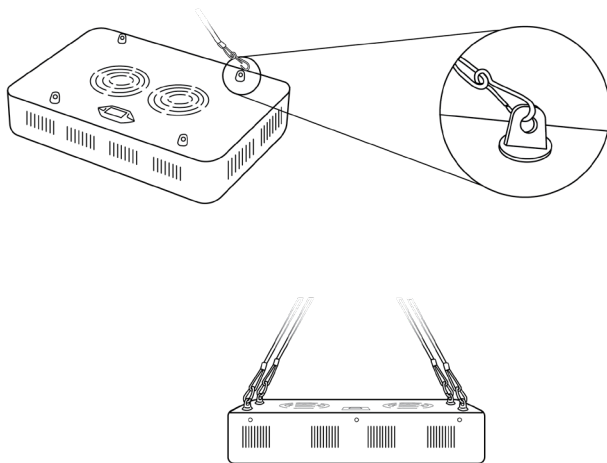


Rope Ratchet

### STEP 1

Unpackage and connect the stainless steel hanging kit per illustration below.

*Continued on next page...*



### LED SPECIFICATIONS

Product Image	
Dimensions:	30.8*20.8 *6cm
Rated Power:	300W
Led Quantity:	60pcs x 5W Epileds leds
Actual Power:	124w±5%
Light Spectrum:	Full spectrum
Emitting color	Yellow
Recommend Height :	Seedling Stage: 91-102cm  Veg Stage: 46- 64cm  Flowering Stage: 38- 46cm
Core Coverage (at 60cm Height)	60x60cm
Max Coverage (at 60cm Height)	90x90cm
ETL Certification:	
Working Voltage:	AC100~240V
Frequency:	50/60Hz
Working Temperature:	-20 ~ 40 °C

### DISCLAIMER

- Lamp is not waterproof and is for Indoor use only
- Use the grow light in a well ventilated place
- When in use, do not look at the light directly.  
Use appropriate protective spectrum eye wear at all times.



**SETTING UP YOUR LED GROW LIGHT****STEP 4**

Loop the rope ratchet over pole "F" on the grow tent outer structure. Ensure that the light is in the middle of the tent.

**STEP 5**

Attach rope ratchet to the carabiner on the stainless steel hanging kit. Adjust the rope ratchet until you're at desired height.

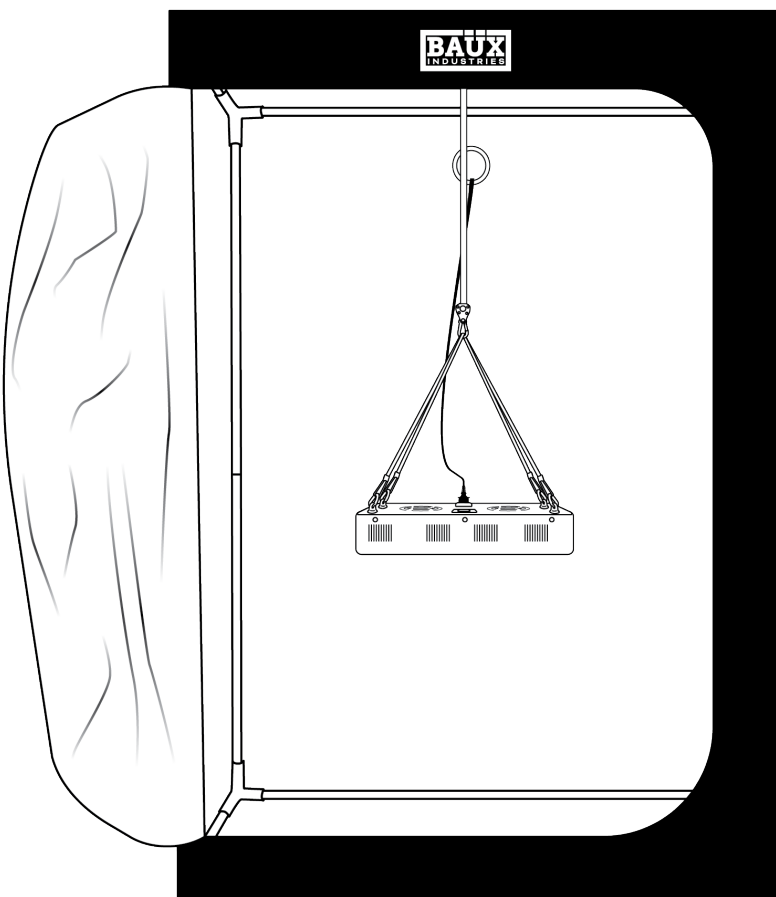
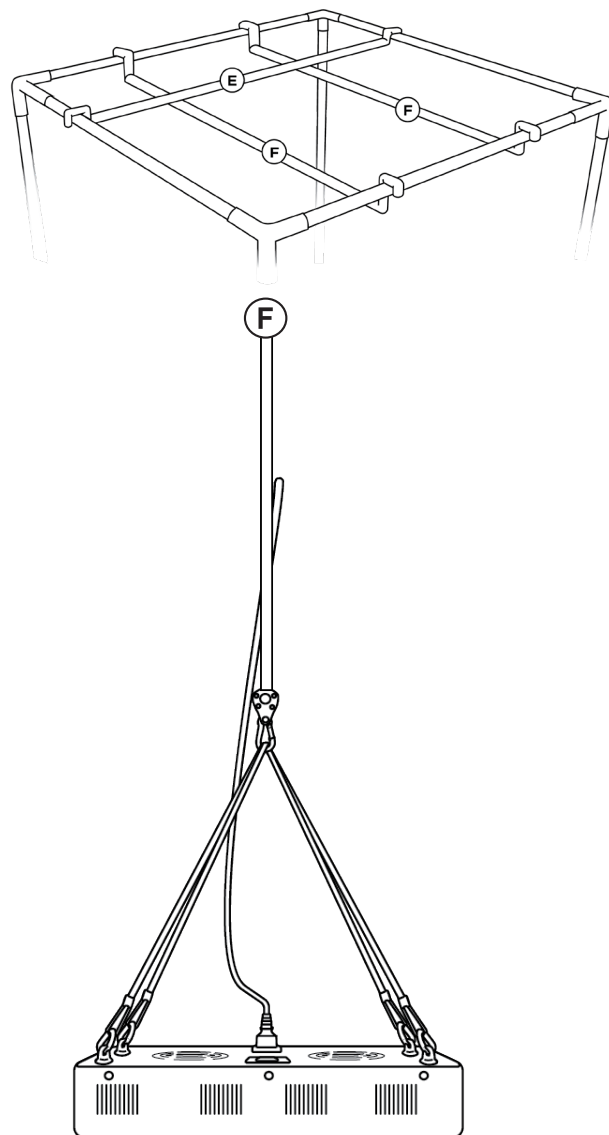
**STEP 6**

Make sure the light is at the correct distance from your canopy to avoid burning your plants. As plants grow, adjust distance between the LED fixture and plant canopy. **(Use the LED Specifications chart in the product user manual)**

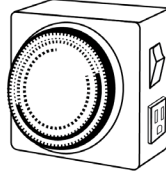
**STEP 7**

To release, press lever above ratchet wheel

**CAUTION:** Remove suspended object before pressing release lever.

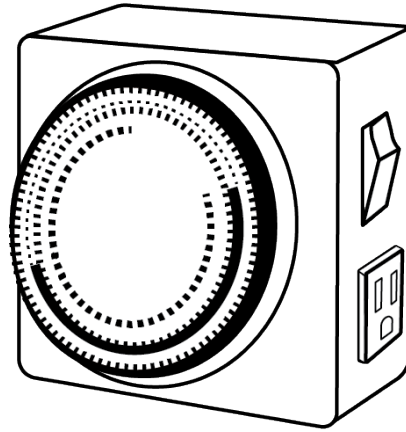
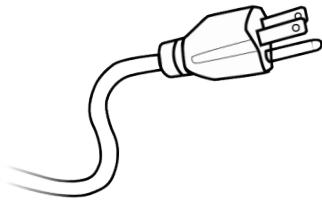


**NOTE:** Ensure that LED lights on pole "F" are situated in the middle of the grow tent. As illustrated on the left.

**SETTING UP YOUR DUAL OUTLET TIMER****PACKING LIST**

Dual Outlet Timer

LED light/s ONLY →

**DUAL OUTLET TIMER OPERATING INSTRUCTIONS**

**STEP 1** Ensure timer is disconnected from mains.

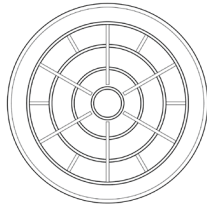
**STEP 2** Push down the segments according to how long you require the appliance to stay on.  
Each segment is 15 minutes.

**STEP 3** Turn the timer dial until the pointer is set to the correct time.

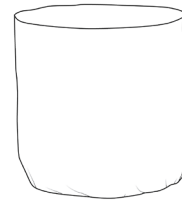
**STEP 4** Plug in your LED light/s ONLY into the dual outlet timer and then the timer to the main socket then switch the socket on.

**STEP 5** Override the timer by moving the switch on the side.

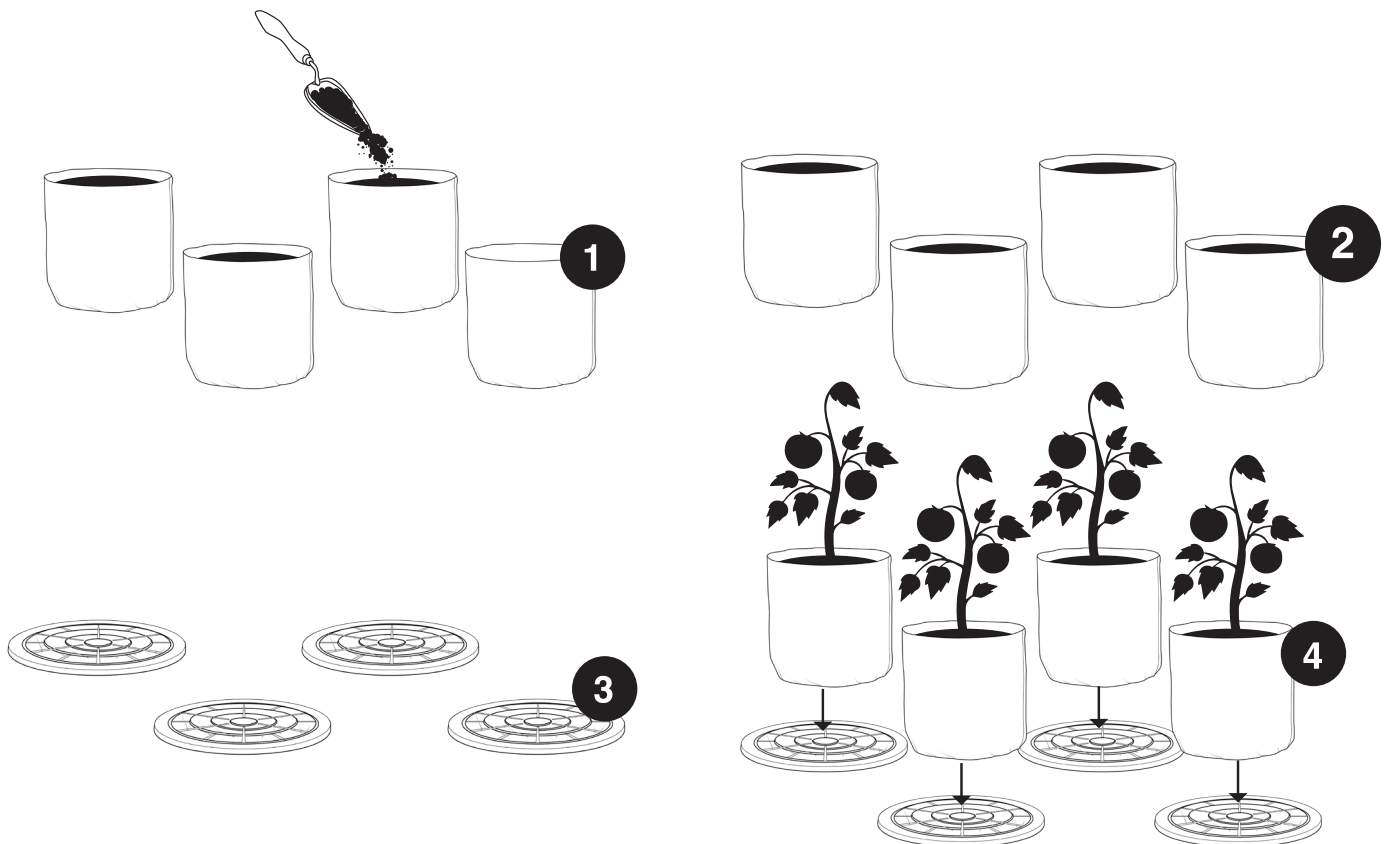
*FOR INDOOR USE ONLY.*

**SETTING UP YOUR PLANT POTS****PACKING LIST**

4x 3 Gallon Saucer



4x 3 Gallon Fabric Pot

**POT LAYOUT INSTRUCTIONS**

- STEP 1** Fill pots with your preferred soil medium.
- STEP 2** Transplant plants into soil medium.
- STEP 3** Lay out saucers on the floor of the grow tent.
- STEP 4** Place fabric pots with plants onto saucers.

## WARRANTY

### LIMITED 1 YEAR WARRANTY

Products are warranted to the original purchaser to be free from defects in material and workmanship under normal use and regular service and maintenance for a period of (1) year from the date of original purchase receipt and will be replaced or repaired by Baux Industries. Products repaired or replaced during the warranty period shall be covered by the foregoing warranty for the remainder of the original warranty period or ninety (90) days from the date of repair or shipment, whichever is longer. Baux Industries has the right to refuse warranty claims if: no original purchase receipt provided, abuse or neglect to product(s) or alterations/modifications are made. The maximum liability under this limited warranty shall not exceed the actual purchase price paid for the product. To the maximum extent permitted by law, Baux Industries is not responsible for direct, special, incidental or consequential damages resulting from any breach of warranty or condition, or under any other legal theory. Some countries, provinces, districts or states do not allow the exclusion or limitation or relief special, incidental, consequential or indirect damages, or the limitation of liability to specified amounts, so the about limitations or exclusions may not apply to you. To initiate a claim, please contact Baux Industries to be issued an RMA number.

**INFO@BAUXINDUSTRIES.COM**  
**WWW.BAUXINDUSTRIES.COM**





2 ft x 4 ft

**GROW KIT**  
**ASSEMBLY INSTRUCTIONS**