

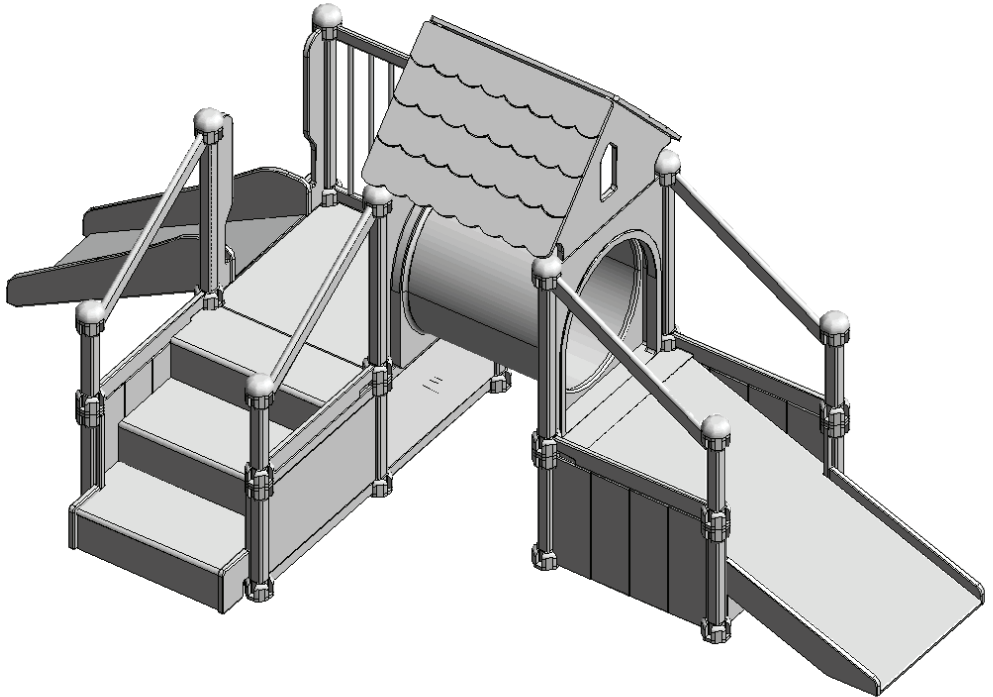


# Product Guide

## The Nursery Gym

### Important Information:

Keep instructions for future use. Read all instructions before assembly and use of product.



### G700-G770

Place Product Guide on inside of Storage Gate when you are done with it. Thank you.

**Hi! Thank you for choosing the Nursery Gym.** I know you are looking at a pile of boxes right now, and wondering if it is possible to make a gym out of it all. Of course you can! This book will lead you along, step by step. So fix yourself a cup of coffee and settle down to read this guide before beginning to build.

**The first pages show** what each piece looks like, and how many of each come with each kit. Then come the Basic Skills: the real nitty-gritty techniques you need to build your gym. The best part is next: choosing which one of the patterns fits your room and your ideas. Each pattern has two drawings of the gym as it looks while you are building it. You can see which panel goes where from these drawings. You will probably want to flip back and forth from these drawings to the basic skills as you build your gym.

**Do you want to make** your gym bigger, or more interesting? Give us a call to find out about our additional kits and move-up kits.

**Important maintenance and cleaning information** is in the back. You'll find you can extend the beauty and life of your gym by following these simple tips. And of course, keep in mind the "for your safety" information on the facing page.

**If you have any questions,** don't hesitate to call Customer Service at **800-777-4244**. We'll be glad to help you!

## Contents

---

For Your Safety.....	<b>3-4</b>
Getting started .....	<b>4-6</b>
Basic skills .....	<b>7-10</b>
G700 .....	<b>11</b>
G710 .....	<b>12-13</b>
G718 .....	<b>14-15</b>
G720 .....	<b>16</b>
G730 .....	<b>17-18</b>
G740 .....	<b>19-20</b>
G750 .....	<b>21-23</b>
G760 .....	<b>24-27</b>
G770 .....	<b>28-30</b>
Maintaining your gym .....	<b>31</b>

# For Your Safety

## **▲ WARNINGS**

Failure to follow these warnings and the assembly instructions could result in serious injury or death.

- ▲ This Product Guide contains important information. Please save for future reference. You may want to move your gym or change your gym configuration later on.
- ▲ This product is intended for use by children of immature judgment; therefore supervision is required at all times.
- ▲ The Nursery Gym is appropriate for ages nine months to 2 years.
- ▲ Children should not be in the room during setup.
- ▲ When the very youngest children are using the Nursery Gym, the slide is the area requiring the most adult supervision. We have provided a gate that can easily be put at the top of the slide for moments when sufficient supervision for slide use cannot be given.
- ▲ Do not put slide closer than 36" to another entrance, platform, or a wall.
- ▲ Do not attempt to build or take apart your gym by yourself. You need at least two adults working together to do this safely.
- ▲ Use the patterns supplied in this Product Guide. We cannot take responsibility for free-form structures. However, you may exchange panels of like size and shape.

- ▲ Test the joints for stability before allowing children to play on the structure.
- ▲ Do not provide anything on the top level of your gym which children can use to climb over the sides.
- ▲ Changing a lower level panel or splicing an addition to a standing gym is not recommended, as it is not possible to keep the structure stable while lifting weight-bearing rings.
- ▲ Each platform can carry a weight of 400 pounds.

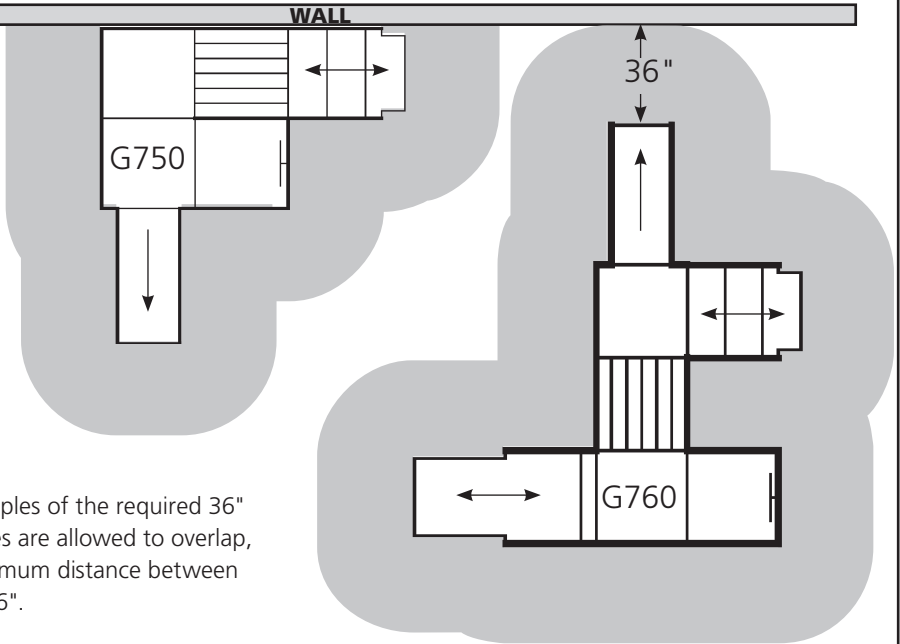
## **▲ CAUTIONS**

- ▲ This product is intended for indoor use only.
- ▲ Discourage napping on the bare carpet. Prolonged exposure may cause irritation.
- ▲ Do NOT reposition assembled Nursery Gyms by dragging.

## USE ZONES

▲ In accordance with ASTM F2373 Section 11, any Nursery Gym configuration must be less than 3" away from the wall of your room, or more than 36". This is to avoid dangerous gaps and to provide a use zone around the gym.

Here are two examples of the required 36" use zone. Use zones are allowed to overlap, as long as the minimum distance between play structures is 36".



## Getting Started

Lay the pieces of your Nursery Gym on the floor. You will see which parts you need to build the kit you have using the chart on the facing page. The short panels are for the first layer of the gym; the tall ones are for the second layer.

Lay panels of the same size together so you can find them easily. Make sure you have all the parts shown on the chart for your kit before beginning to build your gym.

If any parts are broken or missing, do not try to assemble your gym. Call Customer Service right away (800-777-4244) and we'll send you replacement parts. Use only replacement parts supplied by Community Playthings.

**Long post**

(with cap and four connector rings)



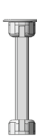
**Medium post**

(with cap and four connector rings)

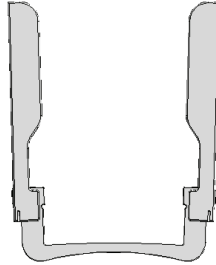


**Short post**

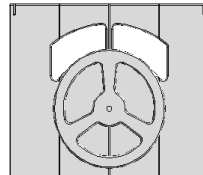
(with plug and two connector rings)



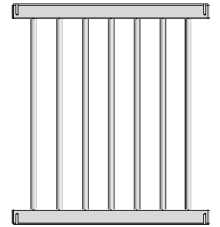
Plywood panel



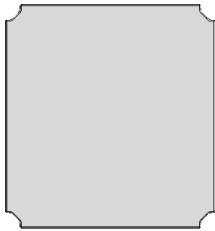
Slide entry panel



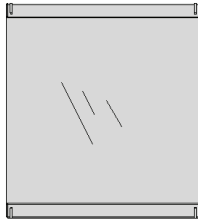
Steering wheel panel



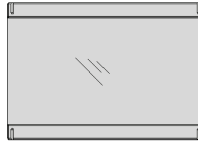
Dowel panel



Platform



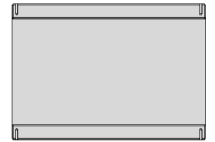
Large mirror



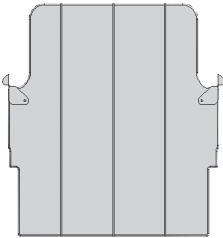
Small mirror



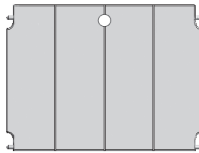
Large carpet



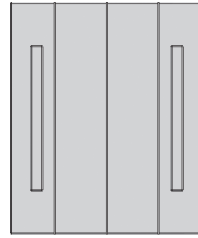
Small carpet



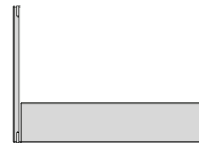
Gate



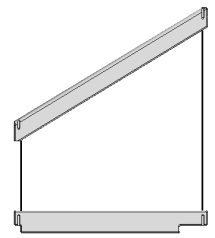
Storage gate



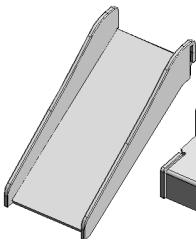
Slide gate



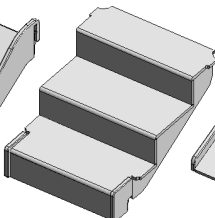
Banister brace



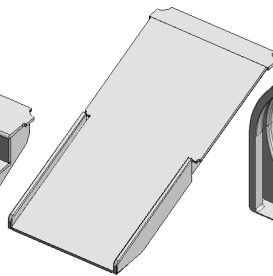
Banister panel



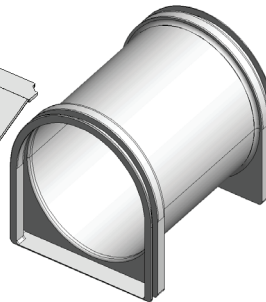
Slide



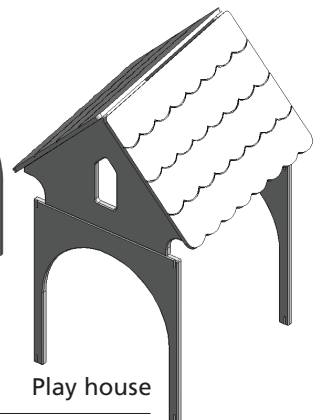
Stairs



Ramp



Tunnel



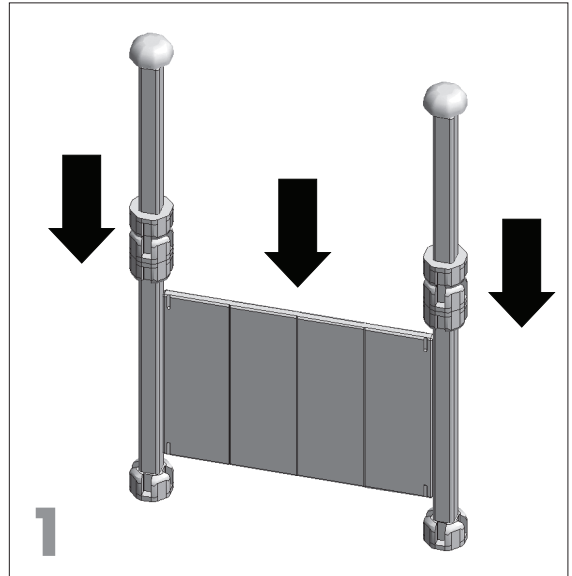
Play house

	G700 Nursery Gym Stairs	G710 Nursery Gym 1 with Slide	G718 Nursery Gym 1 with Ramp	G720 Nursery Gym 2	G730 Nursery Gym 3	G740 Nursery Gym 4	G750 Nursery Gym 5	G760 Nursery Gym 6	G770 Nursery Gym 7
Platform	-	1	1	1	1	4	3	4	6
Slide	-	1	-	1	1	-	1	1	1
Slide entry panel	-	1	-	1	1	-	1	1	1
Slide gate	-	1	-	1	1	-	1	1	1
Stair	2	1	1	1	1	1	1	1	1
Banister brace	2	1	2	2	2	2	1	2	2
Gate	2	1	2	2	2	2	1	2	2
Ramp	-	-	1	1	1	1	-	1	1
Play house	-	-	-	-	1	-	1	1	1
Tunnel	-	-	-	-	1	-	1	1	1
Long posts	2	4	4	4	6	8	10	12	12
Medium posts	4	2	4	4	4	4	2	4	4
Short posts	-	-	-	-	-	1	-	1	1
Large carpet	-	-	-	-	-	1	1	1	1
Large mirror	-	-	-	-	-	1	1	1	1
Steering wheel panel	-	-	-	-	-	1	1	1	1
Dowel panel	-	2	2	1	1	3	3	4	6
Banister panel	4	2	4	4	4	4	2	4	4
Small mirror panel	1	1	1	1	1	1	2	2	2
Small carpet panel	1	1	1	1	1	1	2	2	2
Storage gate	-	1	1	1	1	1	2	2	2
Plywood panel	3	3	5	5	6	13	7	11	16
Connector Rings	24	24	32	32	40	50	48	66	66
Caps	6	6	8	8	10	12	12	16	16
Plugs	-	-	-	-	-	1	-	1	1

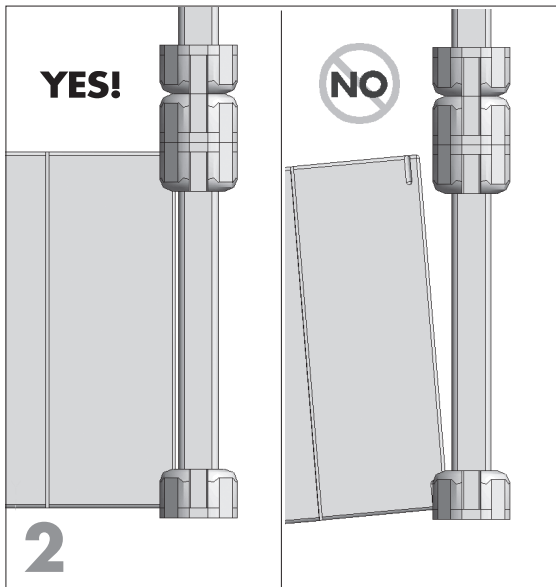
## Basic Skills

We said no-tools assembly and we meant it. But you will need a friend to help you. It takes four hands to build a gym, but no tools at all!

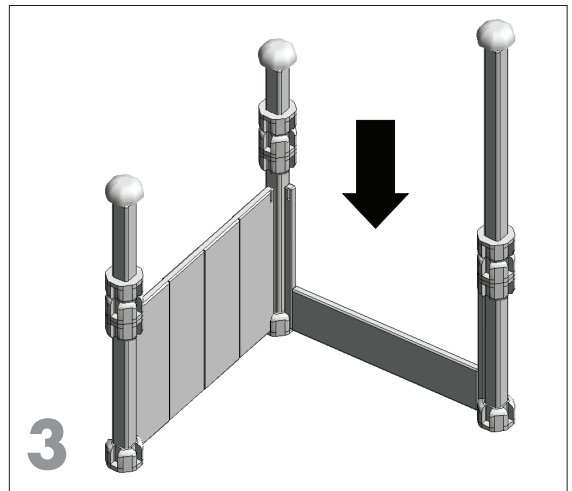
These basic skills are for building any of the Nursery Gym patterns in this book. After you have read them through, choose the gym you would like to build (see from page 11 onwards) and follow the pattern provided.



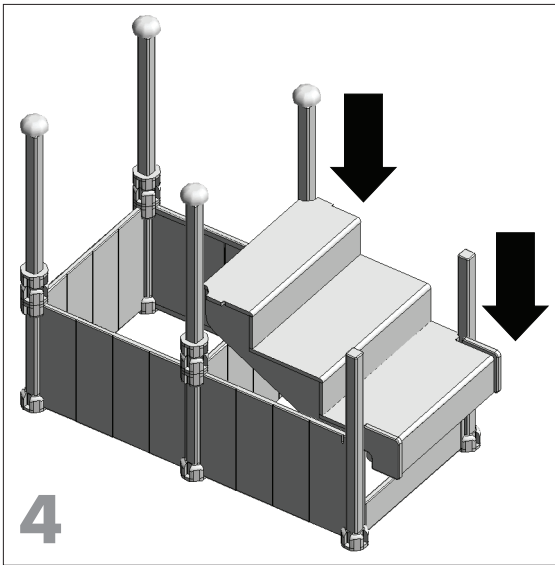
1  
Insert a short panel into the bottom two connector rings. Capture the panel by sliding down another two connector rings into the grooves



2  
Check the joints. Every panel should be locked in place by four connector rings. Repeat this step for each panel as you build your gym.

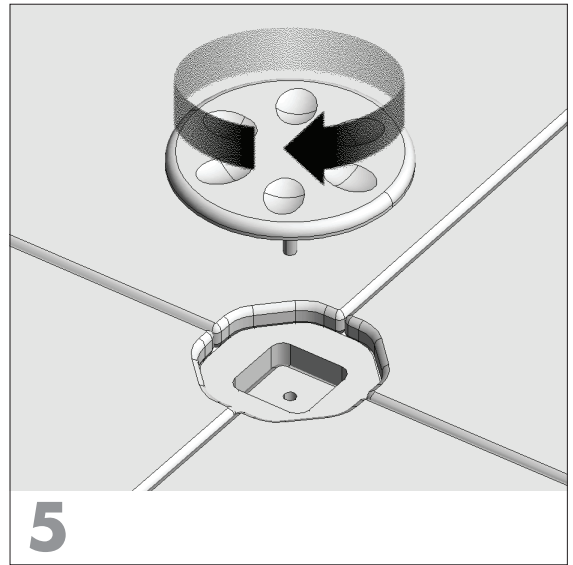


3  
To add the next panel, lift one of the connector rings and use it to capture the new panel. Assemble the first layer of your gym by following the pattern you have chosen. Go slowly; it is not easy to replace a panel after a layer is placed on top. Lower panels are exchangeable, but the storage gate won't work under the slide or next to a stair or ramp.



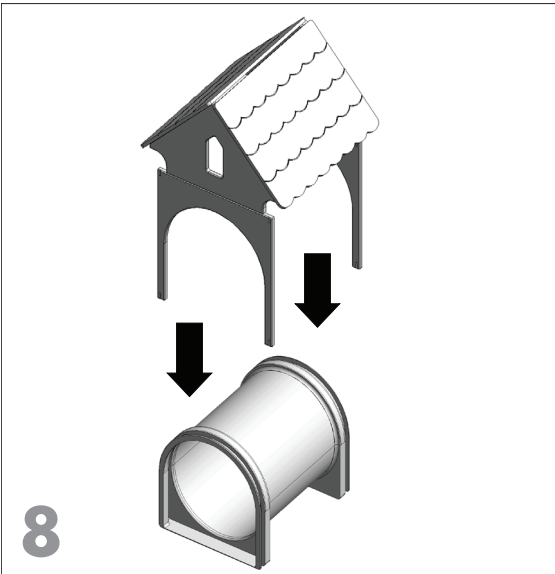
**4**

To add the stairs or ramp you will need to unscrew the caps and slide off three connector rings from the medium posts first. Add stairs, then replace the connector rings. The ramp is added in the same way as the stairs. The ramp and stairs are exchangeable in all configurations.



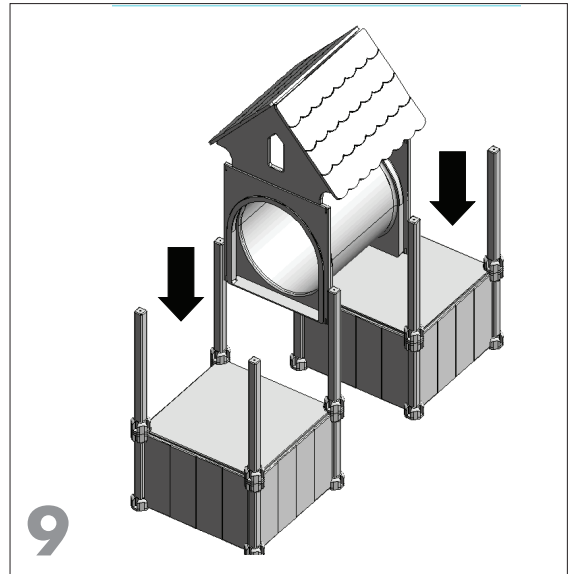
**5**

Lay all the platforms in place. The open circle where four platforms meet over a short post should be filled with the plug. Screw it down firmly.



**8**

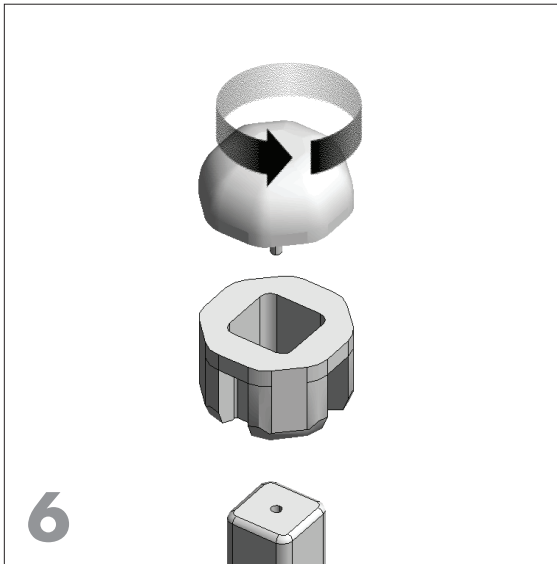
Place tunnel on floor. Fold out legs on the play house (watch your fingers) and place over tunnel. You will need two people to do this part.



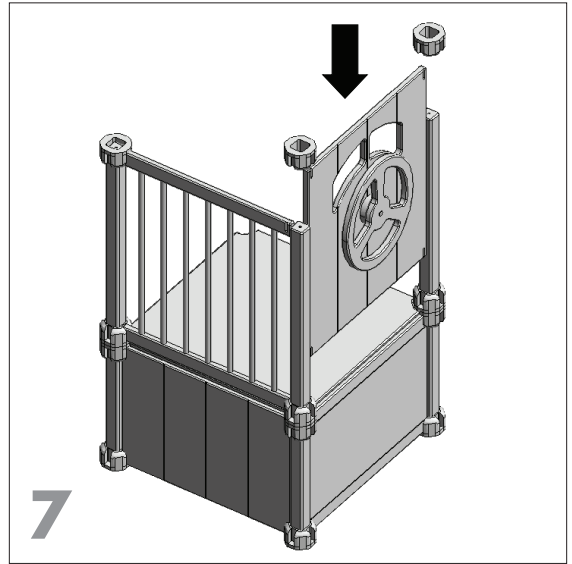
**9**

Insert play house legs into connectors keeping the tunnel inside the house. For situations where the tunnel creates a bridge between two structures you may want to insert a dowel panel temporarily to get the spacing right.

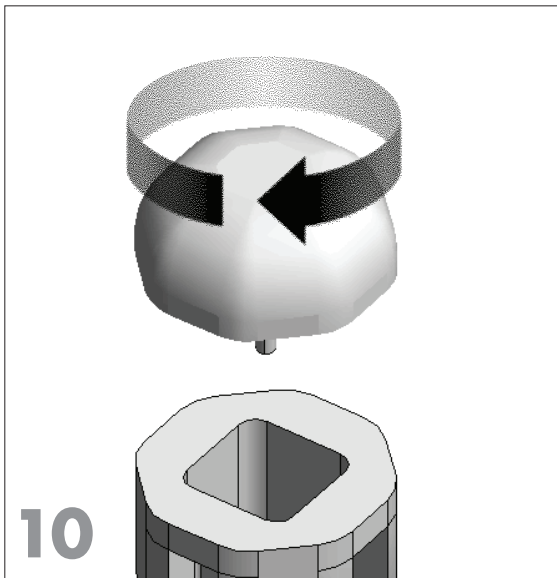




**6** Before the upper panels can be added you must unscrew the cap and slide off the top connector ring. Lay them on the platform next to the post until later.



**7** Use tall panels to create the top layers, following the pattern you have chosen. Replace the top connector rings as you go, so each panel is captured by four connector rings. Remember, upper panels are exchangeable and reversible.



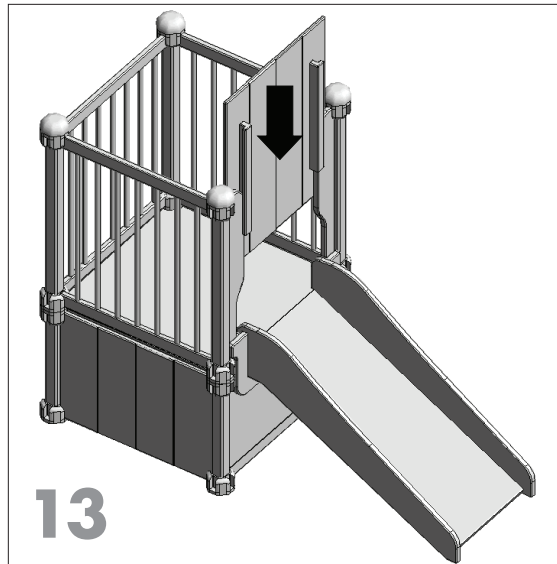
**10** When all the upper panels and play house (when needed) are in place, screw a cap to each post. You will hear a clicking sound as you tighten the caps. Tighten them down hard so your children can't get them off.



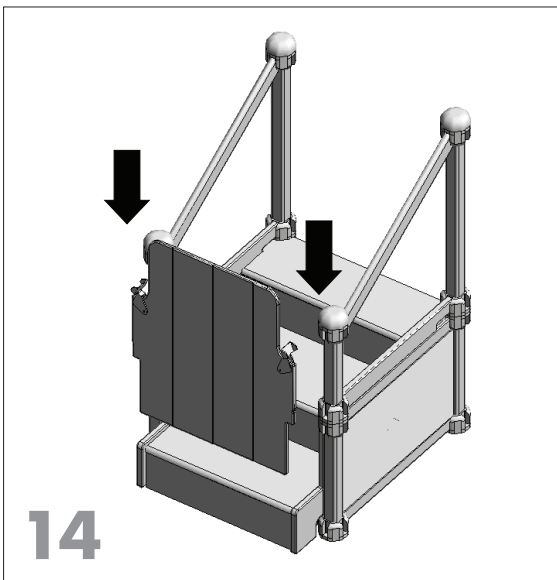
**11** To add the slide, insert it into slide entry panel first.



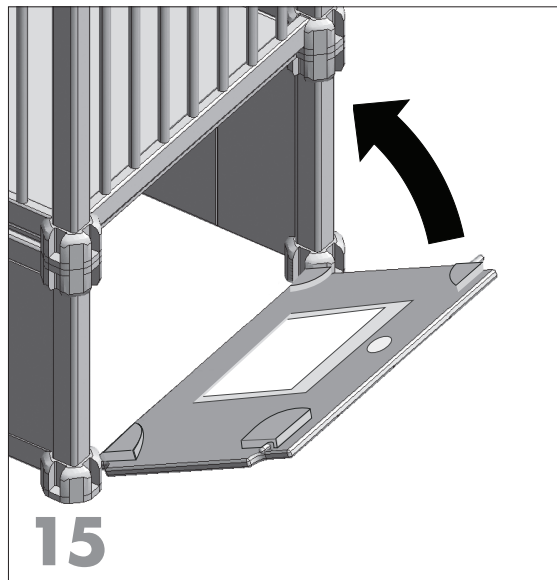
**12**  
Add the slide entry panel to the gym by flexing the top of the handles inward while inserting into the lower connector rings.



**13**  
We provide a gate for the top of the slide for those moments when you want more security for the very youngest, and are unable to give individual attention.



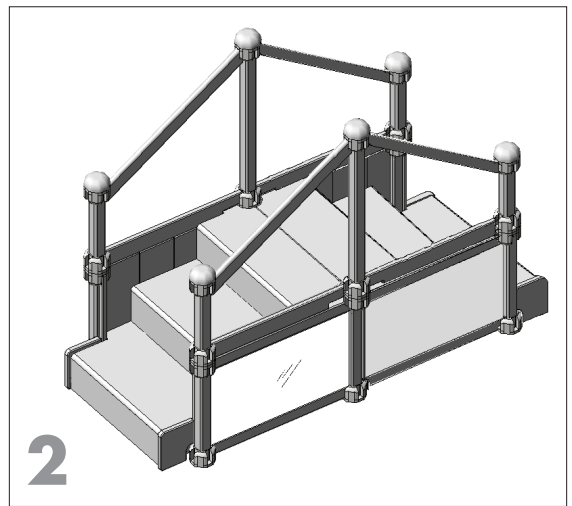
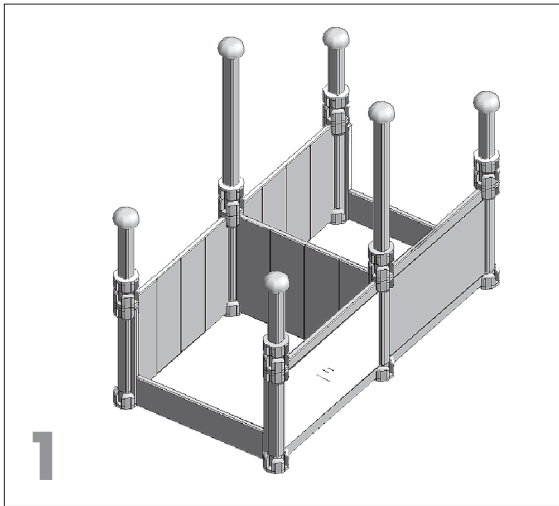
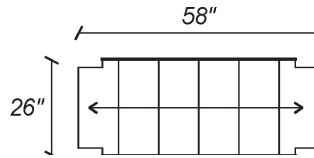
**14**  
When it is nap time or dinner time and you want to say "time out" from the Nursery Gym, there are gates that can block off the bottom of the stair and ramp entries.



**15**  
There is a handy storage gate that opens up a storage cubby. Gates and panels not in use can be stowed here. Retract the latch plungers and allow gate to hinge down flat on the floor for access. The Product Guide can be stored in the pouch inside the storage gate. (The G700 does not have a storage gate or a pouch).

## G700 Nursery Gym Stairs

The **Nursery Gym 1** is our smallest Nursery Gym Set. Simply a stair up and a stair down with safe clear banisters to steady the little guys as they learn how to climb up and down. When it is "time-out" for a while, the gates can be put in position to block off the stair entries.

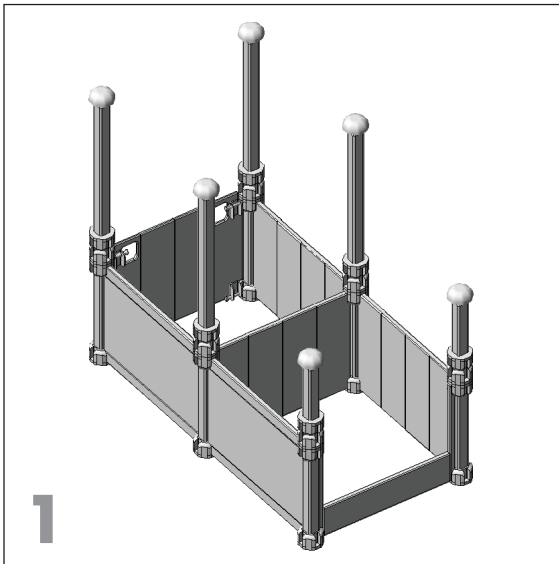
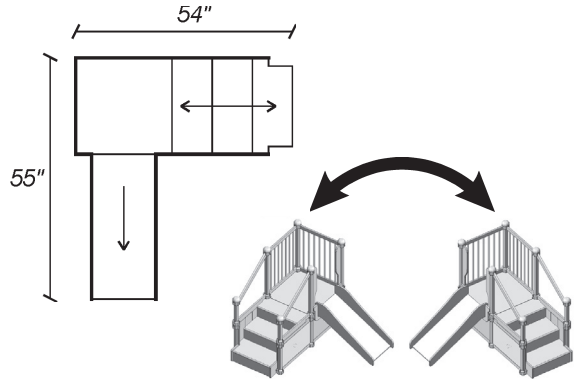


## G710 Nursery Gym 1 with Slide

There are two ways to set up Nursery Gym 1 with Slide:

**Gary's Gym** makes a compact right angle climber. There should be no extra parts for this layout. You can also flip a pattern so that it faces the opposite way. It's easy if you photocopy the plan on a sheet of transparent overhead material. Turn the transparency over on top of a piece of white paper to work from it.

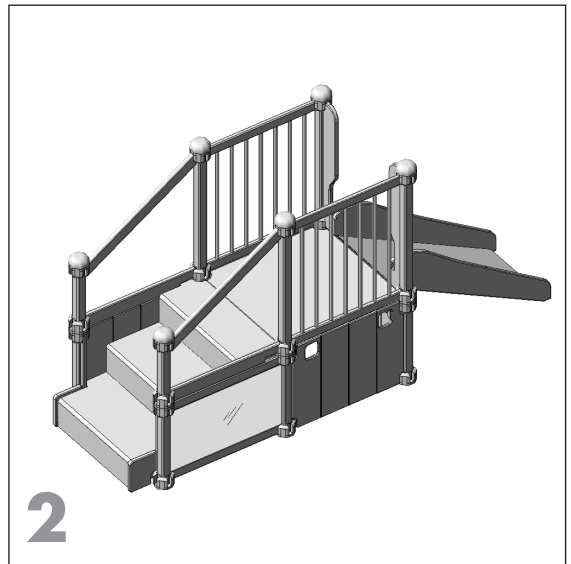
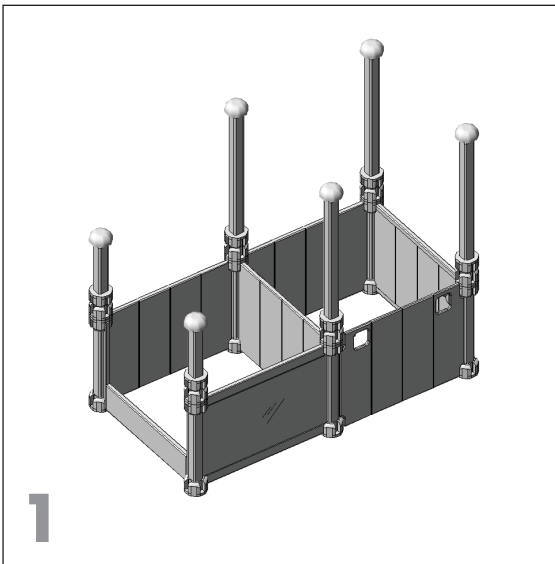
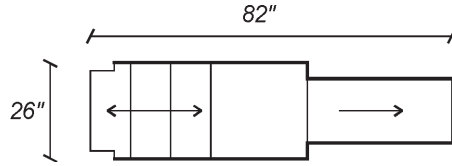
For more variety... Try customizing your gym by rearranging the panels. Any panel can be substituted for another panel of the same size.



## Julie's Gym

An easily accessible storage gate, mirror panel, and carpet panels make a nice face for this item.

There should be no extra parts for this layout.

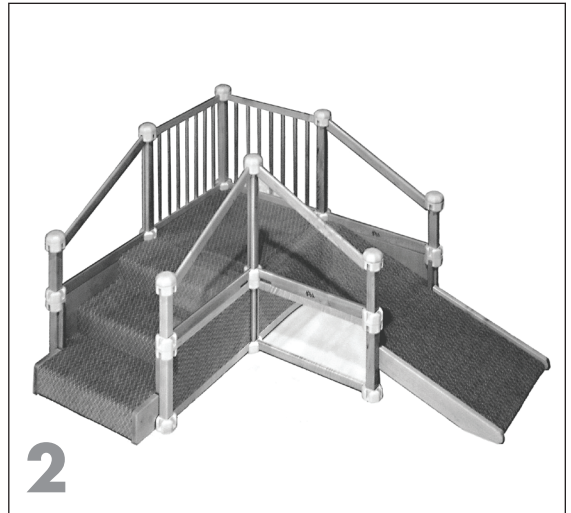
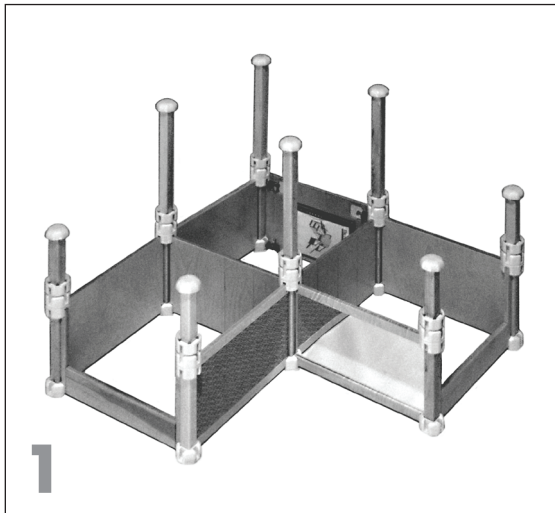
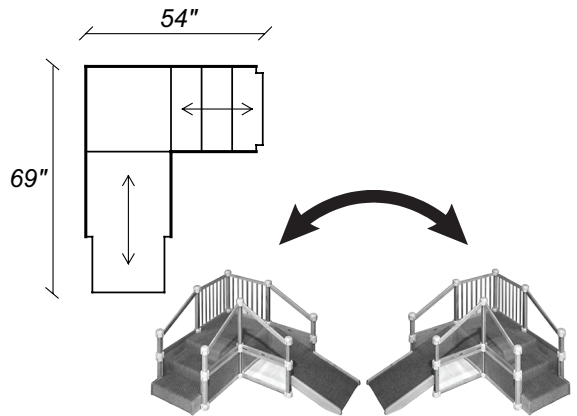


## G718 Nursery Gym 1 with Ramp

There are two ways to set up Nursery Gym 1 with Ramp:

**Joe's Gym** makes a compact right angle climber. There should be no extra parts for this layout.

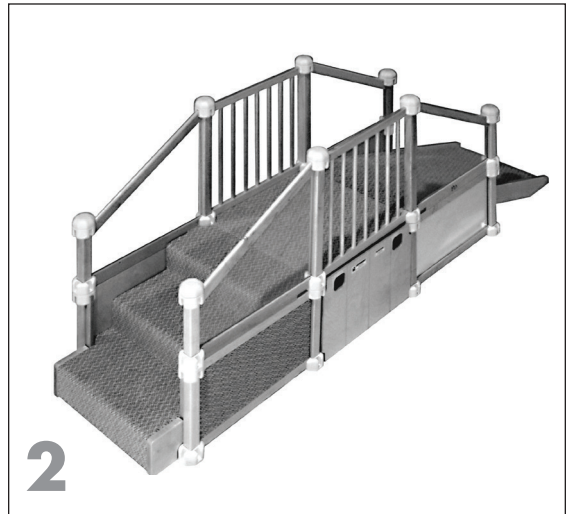
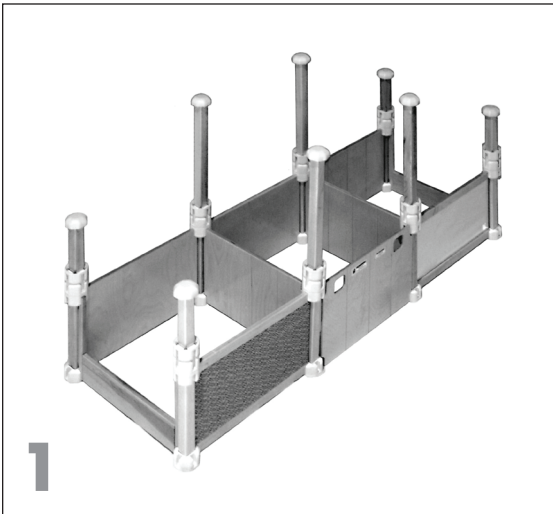
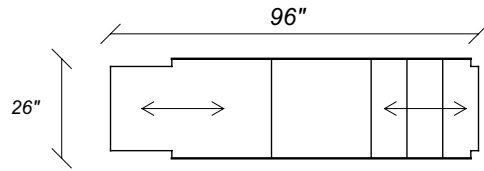
You can also flip a pattern so that it faces the opposite way. It's easy if you photocopy the plan on a sheet of transparent overhead material. Turn the transparency over on top of a piece of white paper to work from it.



### Linda's Gym

An easily accessible storage gate, mirror panel, and carpet panels make a nice face for this item.

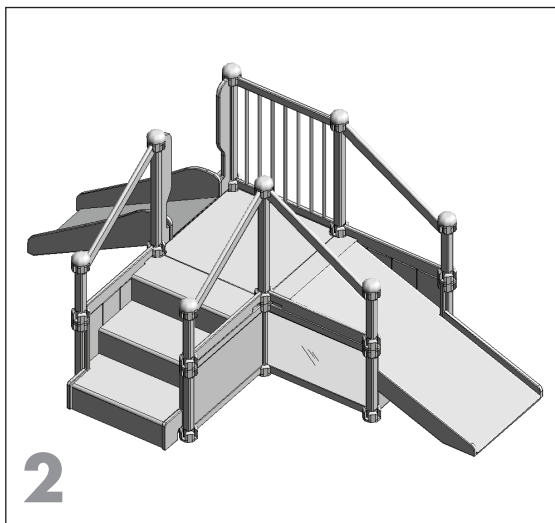
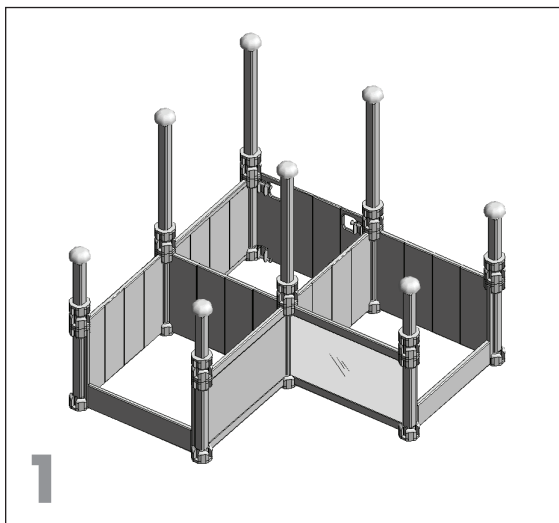
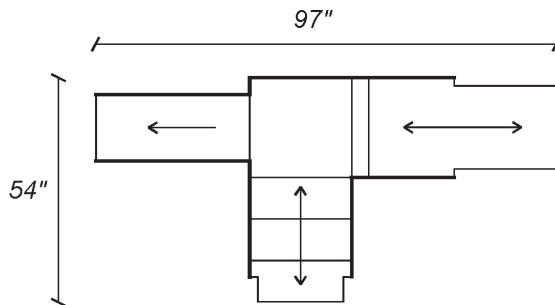
There should be no extra parts for this layout.



## G720 Nursery Gym 2

**David's Gym** introduces all three entrances and exits to one platform area. This creates an interesting center of activity with choices of where to go next. Remember patterns can be flipped to face the opposite way. See page 12.

There should be no extra parts for this layout.





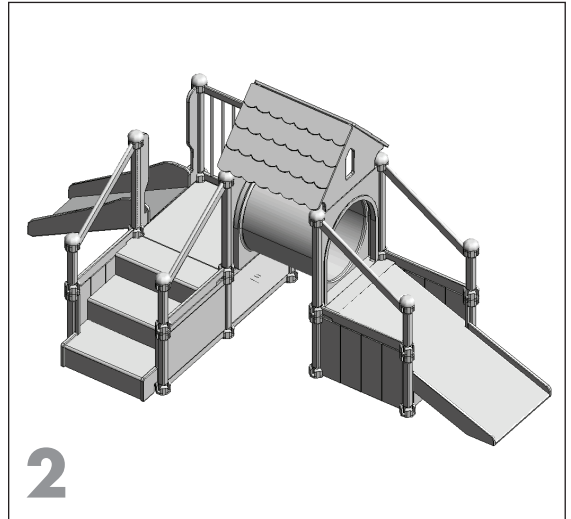
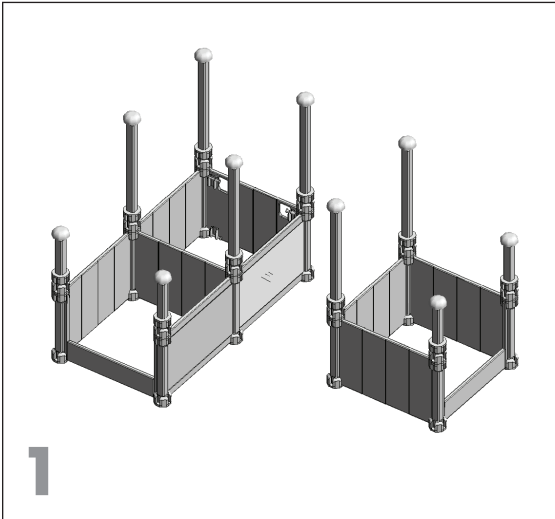
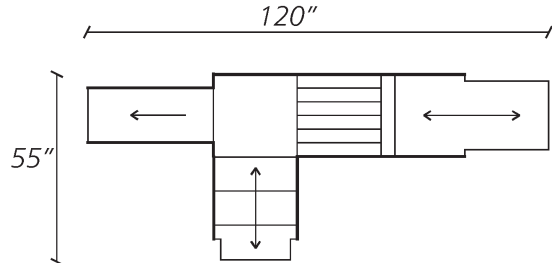
## G730 Nursery Gym 3

There are two ways to set up Nursery Gym 3:

**Sam's Gym** has a nice play area underneath the tunnel and play house. Crawling through the tunnel will create endless hours of fun.

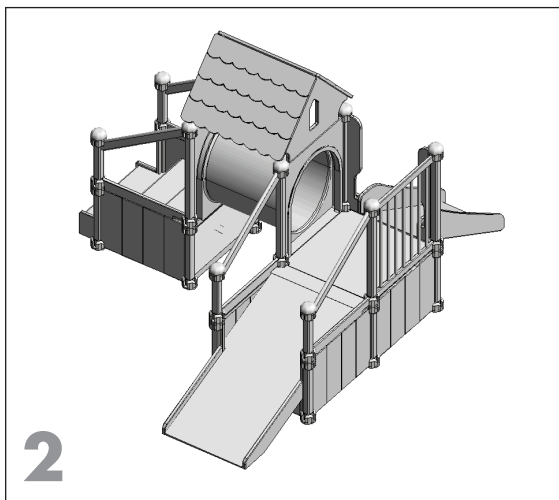
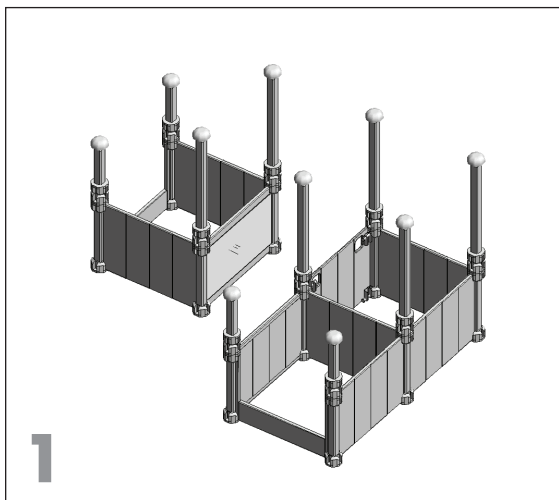
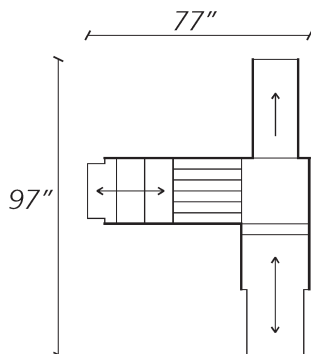
Look at page 12 to see how to flip your pattern so that it faces the other way.

There should be no extra parts for this layout.



**Becky's Gym** is another good layout for Nursery Gym 3. Children will enjoy looking in the mirror panel below the tunnel. The ramp up—slide down—and crawl back under the playhouse bridge will create an interesting traffic pattern.

There should be no extra parts for this layout.



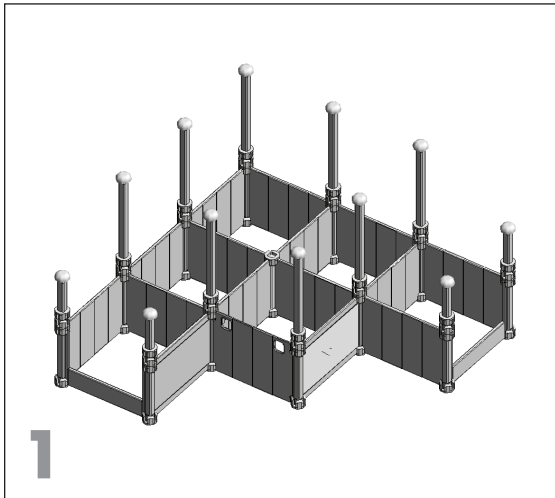
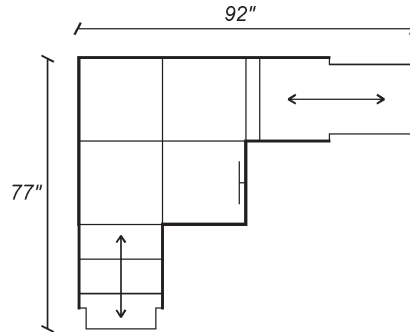
## G740 Nursery Gym 4

There are two ways to set up Nursery Gym 4:

In **Angus' Gym**, a teacher can easily get up on the platform to interact more closely with the children.

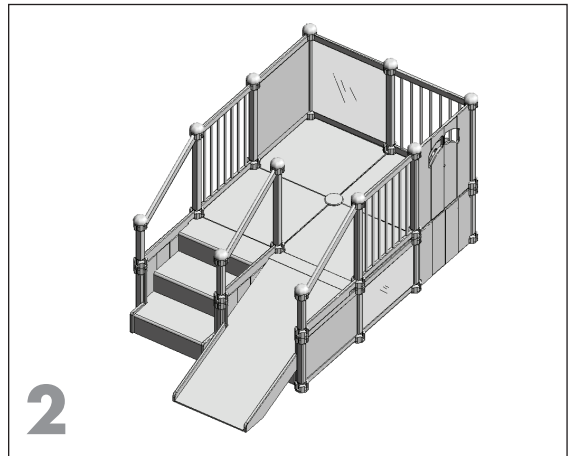
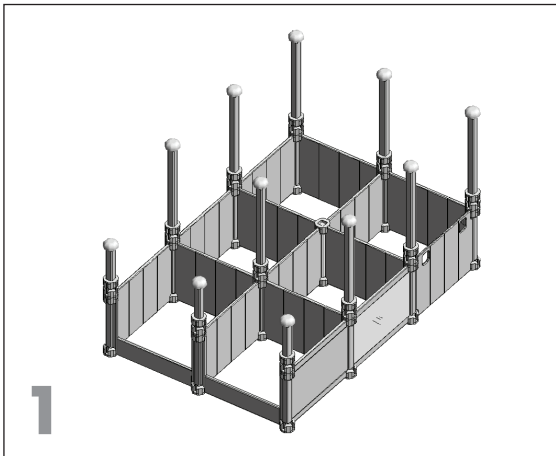
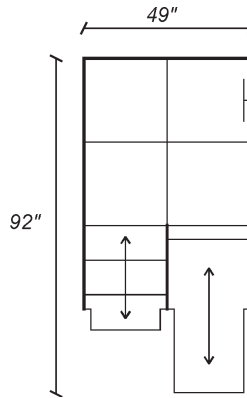
The carpet panel will provide a nice back rest for the teacher. Children can put on a lot of miles using our wooden steering wheel.

There should be no extra parts for this layout.



**Marie's Gym** is another interesting way of setting up Nursery Gym 4. The clear view banister panel will allow fun interaction between children going up the stair and children going down the ramp. The carpeted ramp provides excellent experience with negotiating inclined surfaces.

This layout will have these extra parts:  
one medium post, one banister panel,  
and one plywood panel.



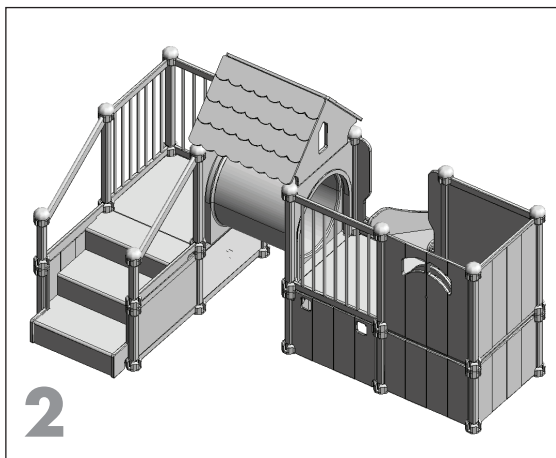
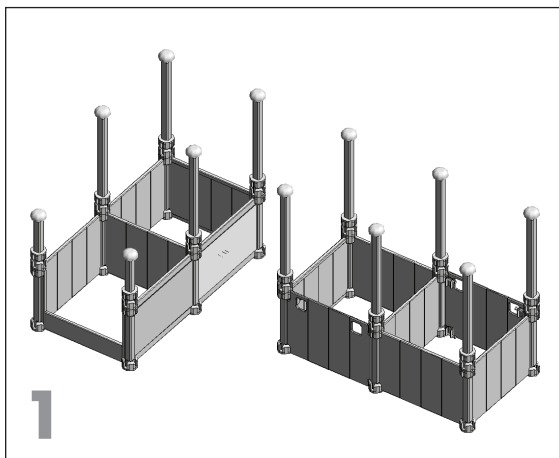
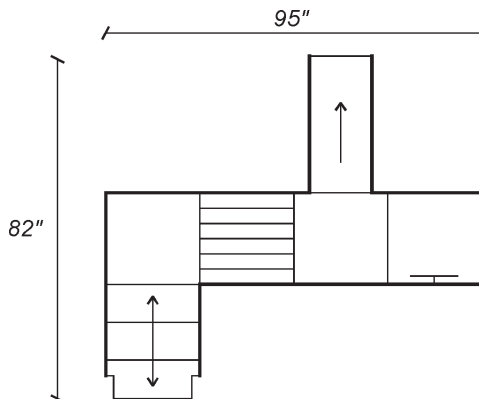
## G750 Nursery Gym 5

There are three good ways to set up Nursery Gym 5:

**Senta's Gym** is ideal for placing in the middle of a large room. There are many spread out play areas on, under, and around Senta's Gym. Notice how the steering wheel can be placed out of the line of traffic? This panel can also be put in the other way around so that driving is done while standing on the floor outside the gym.

Look at page 12 to see how you can flip your pattern to face the other way.

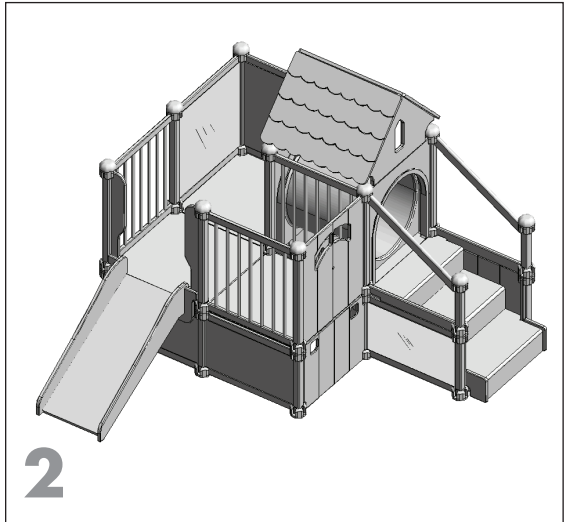
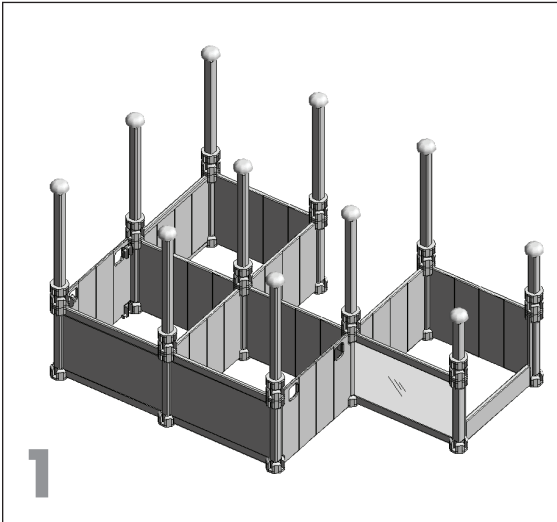
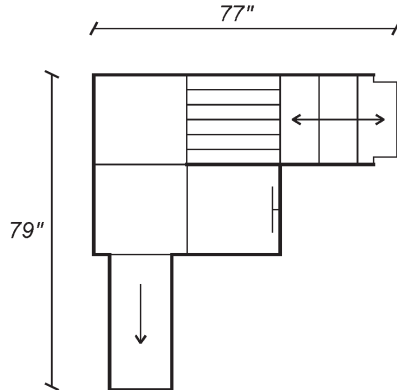
There should be no extra parts for this layout.



**John's Gym** is the most compact way of setting up Nursery Gym 5. Children will enjoy seeing themselves in the mirror as they crawl through the tunnel.

They will also enjoy fingering the scalloped edge of the play house roof.

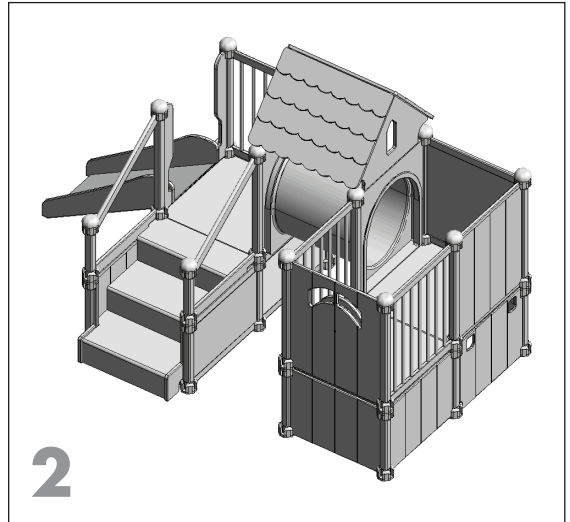
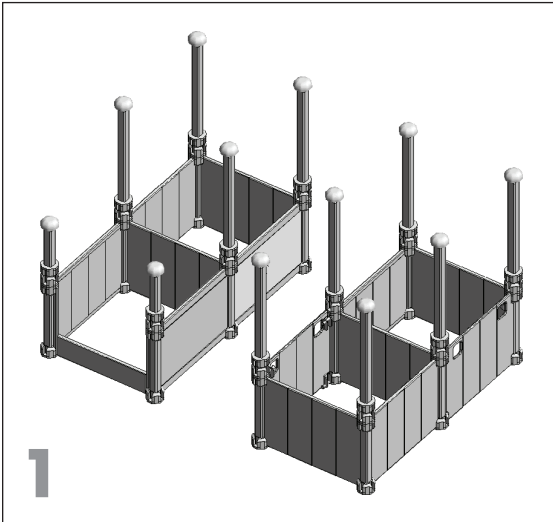
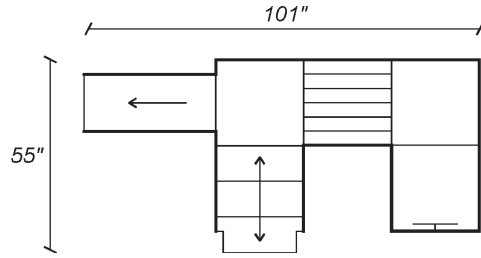
There should be one extra long post in this layout.



**Joanne's Gym** is an interesting option for Nursery Gym 5. Notice how the tunnel leads to a nice quiet corner out of the line of traffic developed by the stair and slide.

There is another cozy corner with mirrors underneath the playhouse bridge.

There should be no extra parts for this layout.

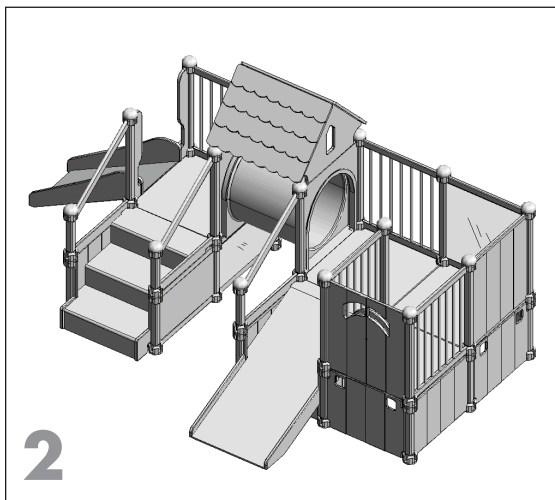
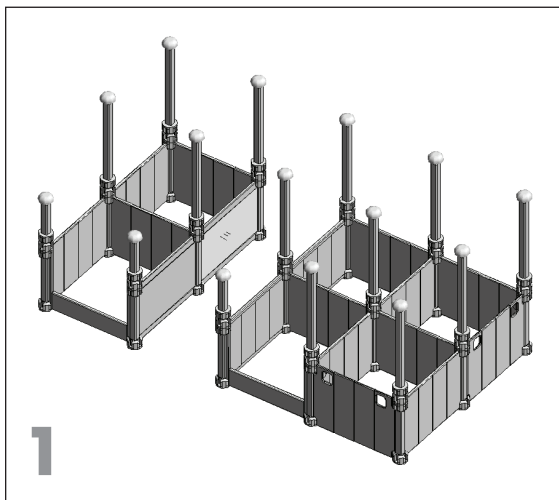
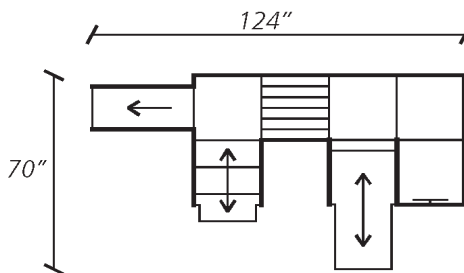


## G760 Nursery Gym 6

There are four ways to set up Nursery Gym 6:

**Steven's Gym** has platform landings on both ends of the tunnel. The playhouse and tunnel create a bridge between two islands of play area.

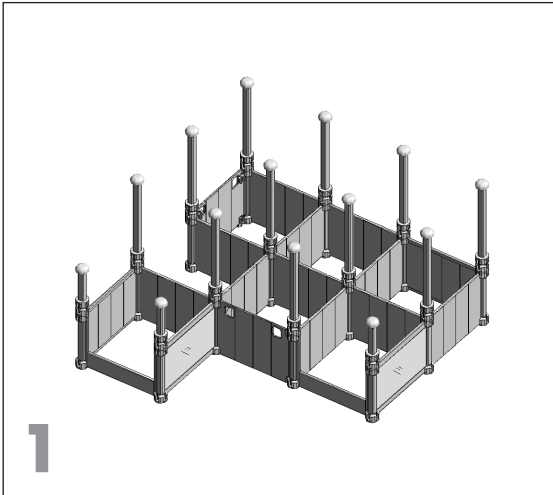
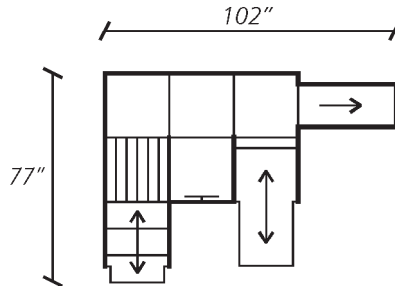
This layout will have these extra parts: one medium post, one short post, and one banister panel.





**Norma's Gym** has a cubical centered in the platform area for serious driving through heavy traffic. Placing the upper mirror at right angles to the steering wheel panel will allow the driver to see himself in action.

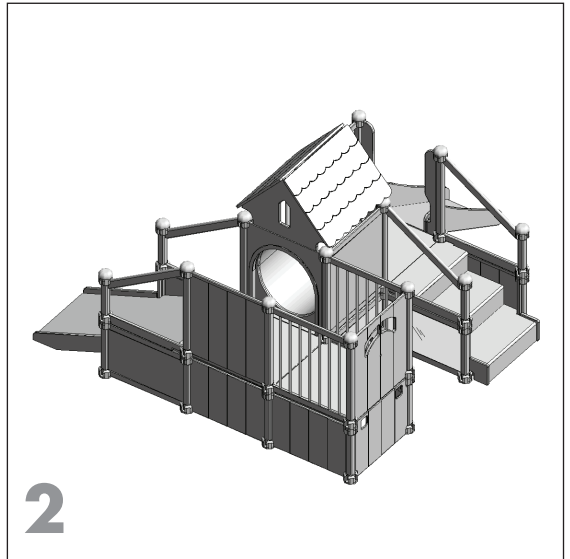
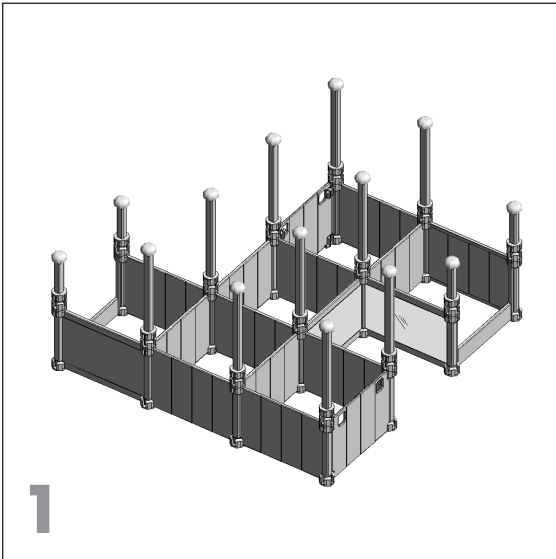
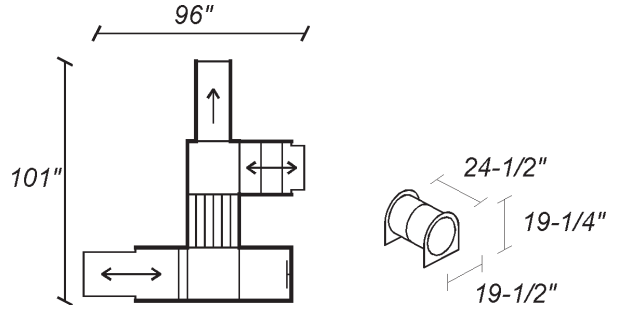
This layout will have these extra parts: one long post, one medium post, one short post, and one banister panel.



**Clem's Gym** is ideal for use in the middle of a larger room. There is a bit of everything on this spreading layout, creating many corners for play.

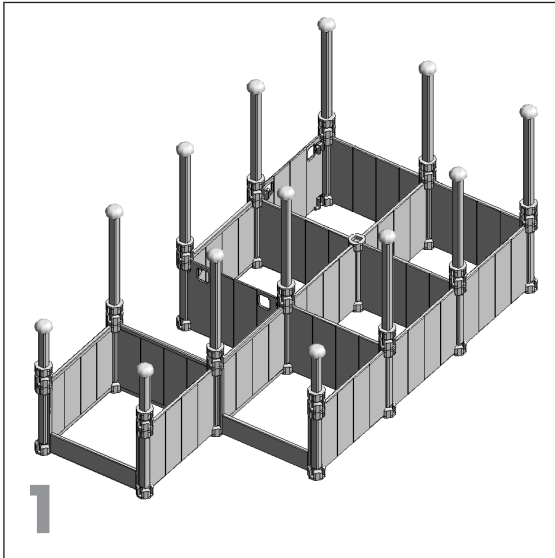
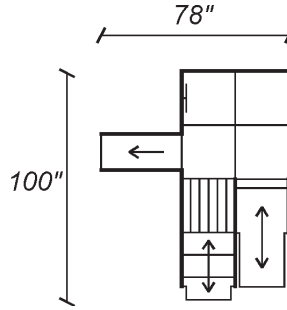
Leave a platform under the tunnel, and the tunnel can be removed leaving a fun playhouse.

This layout will have these extra parts: two long posts and one short post.



**Lydia's Gym** is the most compact way to set up Nursery Gym 6. Having four platforms in a large square, it allows a caregiver to get up on the platform with the children—with room to spare.

This layout will have these extra parts: two long posts, one medium post, and one banister panel.



# G770 Nursery Gym 7

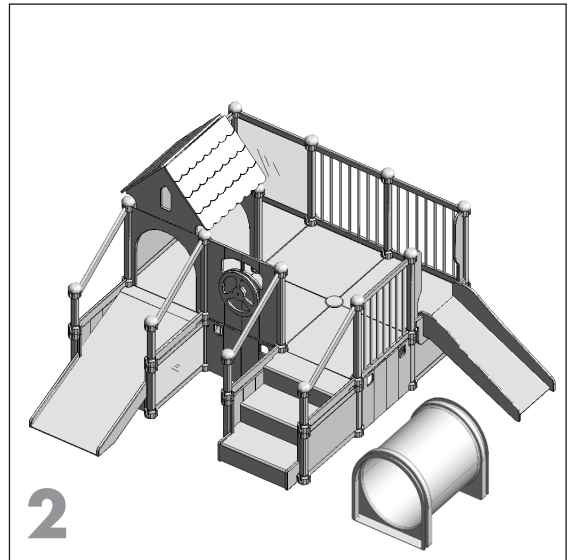
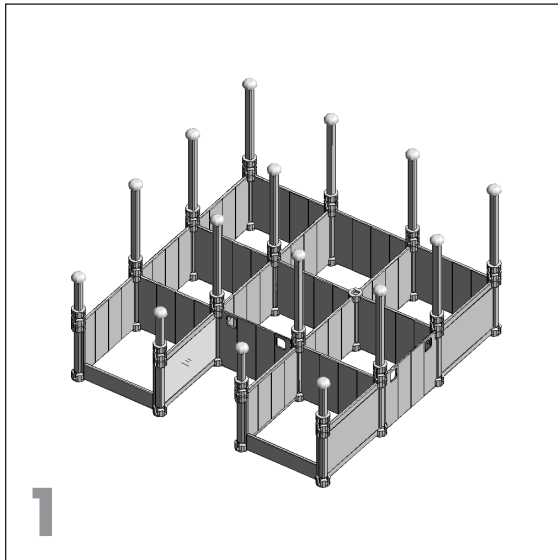
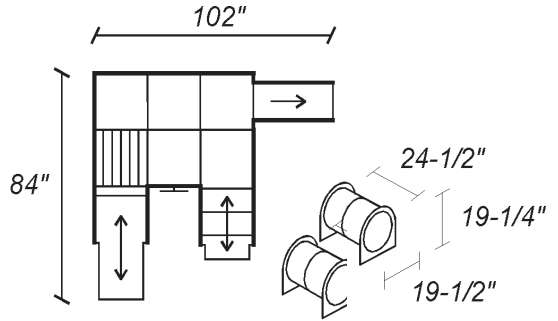
There are three ways to set up Nursery Gym 7:

**Ron's Gym** enjoys enough platform space to allow a platform under the tunnel. This allows you to remove the tunnel and use the house opening on three sides.

### ⚠ WARNING:

- ▲ When the tunnel is put back in the house, it needs an upper panel to prevent climbing on top of the tunnel from the platform.

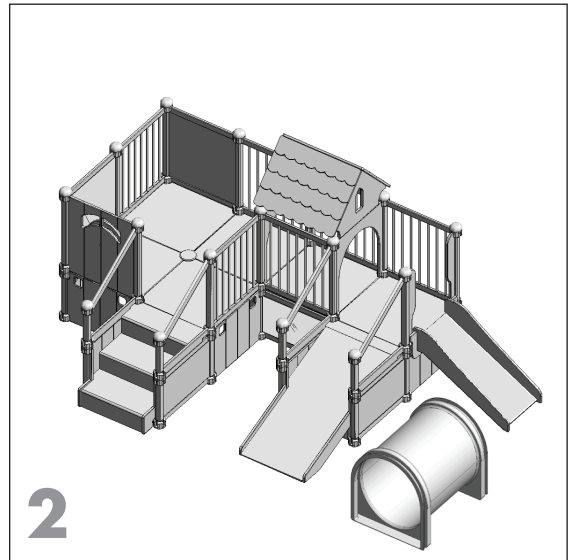
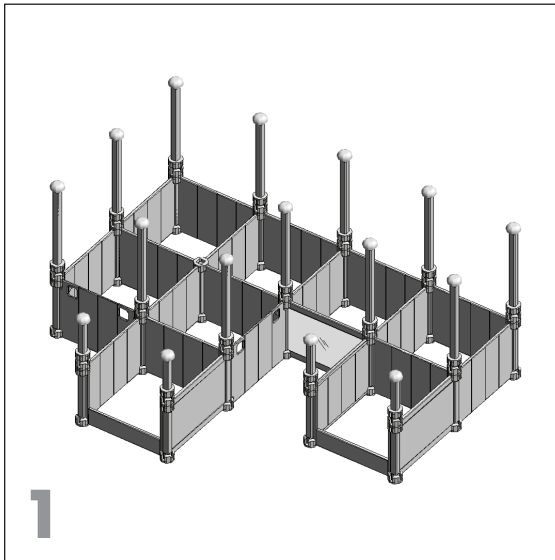
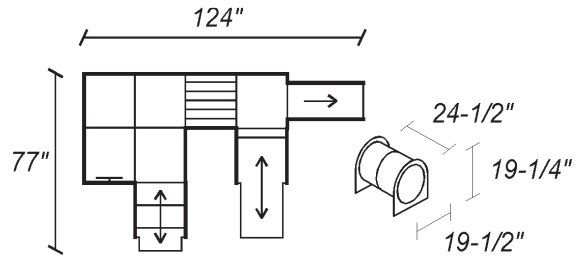
This layout will have these extra parts: one long post, two dowel panels, and one plywood panel.



## Logan's Gym

The aisle between the gym and the wall of the room is an ideal passage for children learning to walk. They use the dowels as hand grips to support themselves as they cruise down the aisle.

There should be no extra parts for this layout.

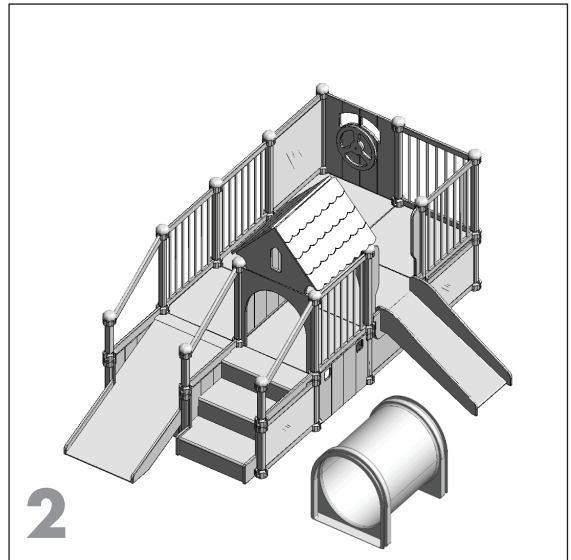
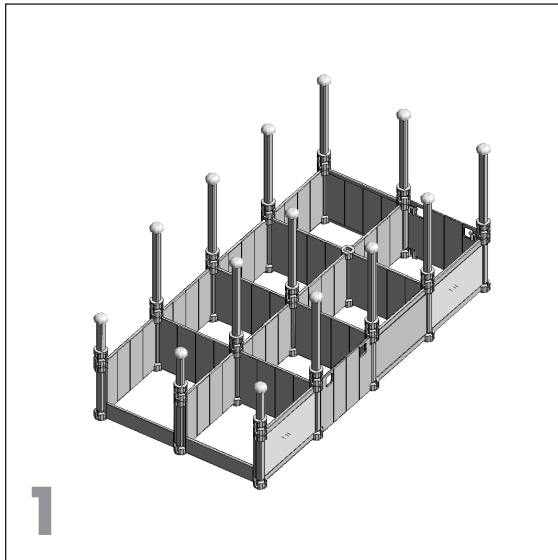
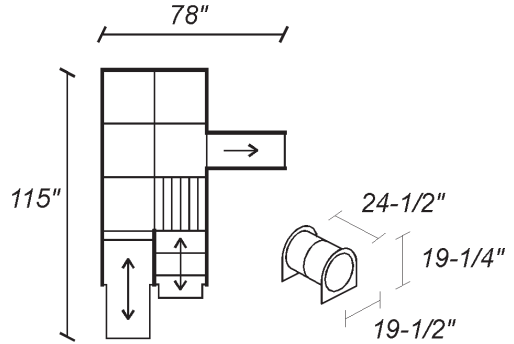


**Sara's Gym** is the most compact way of setting up Nursery Gym 7. The clear view banister separating the ramp and stair makes an interesting point of interaction for those going up with those going down. The upper panel on the side of the house can be removed only when the tunnel is not in use, allowing three entrances to the house.

**▲ WARNING:**

- ▲ When the tunnel is put back in the house, it needs an upper panel to prevent climbing on top of the tunnel from the platform.

This layout will have these extra parts: one long post, one medium post, one banister panel, one dowel panel, and two plywood panels.



## User & Maintenance Information

---

### Maintenance

Make a routine visual inspection daily before use for cracks, breaks, loose and/or missing parts. Every 1 to 3 months manually check that all connectors are tight and all components are functioning. Every year perform a thorough safety inspection of all components. If equipment is subject to heavy use increase inspection and maintenance as appropriate.

Remove the product from service when any condition develops which might make operation unsafe.

### Cleaning

You can wash the wooden parts of your gym, but remember, wood and water are natural enemies. Don't soak; work fast, use a stiff brush with soap and water (or a detergent, as you would for washing dishes).

When cleaning plastic surfaces, do not use harsh detergents or cleansers. These may scratch or mar the surface. Nontoxic household plastic cleaners should work well. Test a small patch of the plastic surface before full application.

If you plan to store your gym, remember it is made of wood, and needs to be stored in a dry place.

**You will not need** to wash your carpets as often if you vacuum them frequently. When you do need to wash them, however, they are designed to come off for cleaning. Just give the corner a gentle tug to remove it from the wooden platform or panel. Clean by hand or with a carpet cleaner. Do not machine wash. Replace the carpet when completely dry.

The carpets are made of a nylon fiber weave. Use the methods below to clean common spills. If you have a spill that is not described, call Customer Service at **800-777-4244** for more information.

### User Modifications

We are not responsible for modifications made by customers to our products in the field, without our supervision, testing, or evaluation.

### Ordering Parts

To order replacement parts, contact Customer Service with a description of the part(s) needed and the ID Code from the product.

**Use only replacement parts supplied by Community Playthings.**

---

#### **For berry, blood, chalk, fruit juices, ice cream, ketchup, milk, plant food, or water-base paint stains...**

1. Apply carpet cleaner sparingly, rubbing gently. Blot, rinse with water, and blot again.
2. Mix one tablespoon ammonia and one cup water. Rinse with this solution. Rub gently. Blot, rinse with water, and blot again.
3. Apply white vinegar to remove the cleaning solution. Blot, rinse with water, and blot dry.

---

#### **For butter, candle wax, chocolate, crayon, felt-tip marker, glue, grease, ink, oil, or oil-base paint stains...**

1. Apply only enough dry cleaning fluid or alcohol to dampen the stain. Blot dry. Repeat as long as the stain transfers.
2. If stain is still visible, apply carpet cleaner sparingly, rubbing gently. Blot, rinse with water, and blot dry.
3. Apply white vinegar to remove the detergent. Blot, rinse with water, and blot dry.

---

#### **For coffee, mustard, tea, urine, vomit, or water color stains...**

1. Apply carpet cleaner sparingly, rubbing gently. Blot to remove stain and rinse with clear water. Blot dry.
2. Apply white vinegar to remove the detergent. Blot, rinse with water, and blot dry.



## **Customer Service:**

PO Box 2

Ulster Park, NY 12487

Office hours: 9-5 EST

Phone (800) 777-4244

Fax (800) 336-5948

(845) 572-3468

[www.CommunityPlaythings.com](http://www.CommunityPlaythings.com)

[Sales@CommunityPlaythings.com](mailto:Sales@CommunityPlaythings.com)