

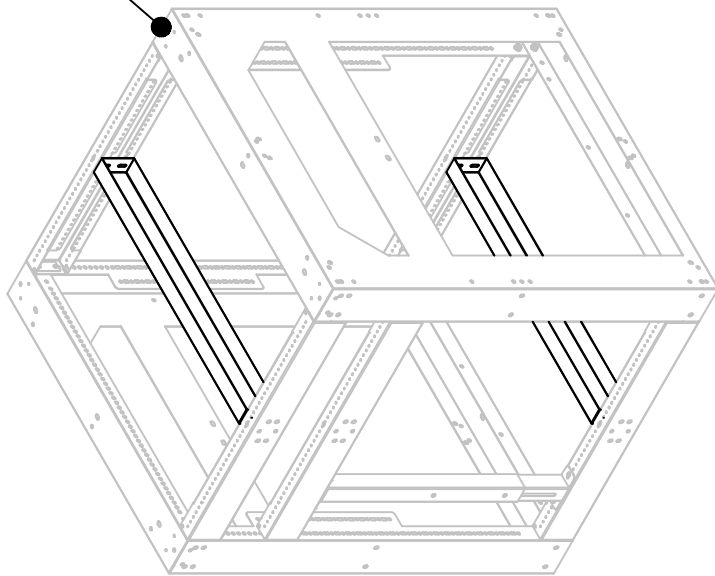
ASSEMBLY INSTRUCTIONS FLOOR OR TOP SUPPORT

P/N: UF-SB1

HARDWARE PROVIDED

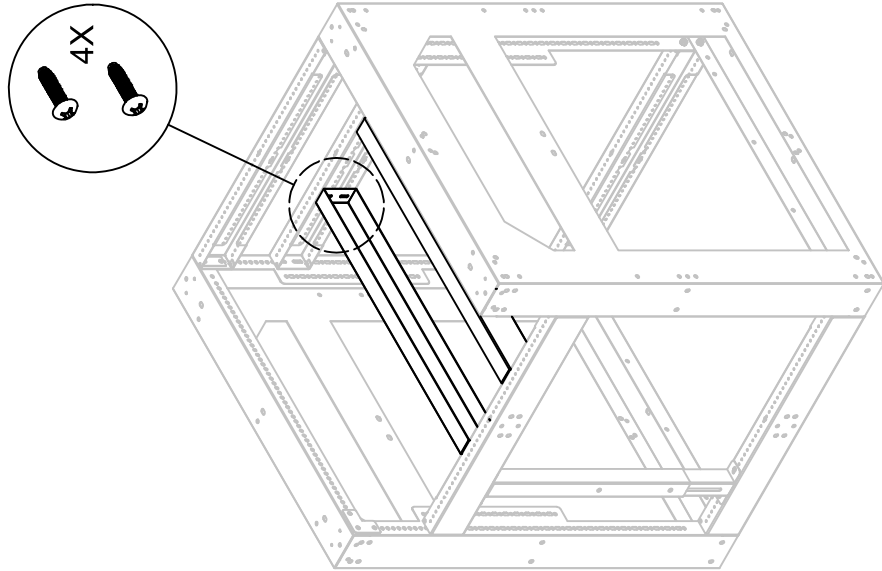


#8-32 X 3/4" THREAD CUTTING SCREWS



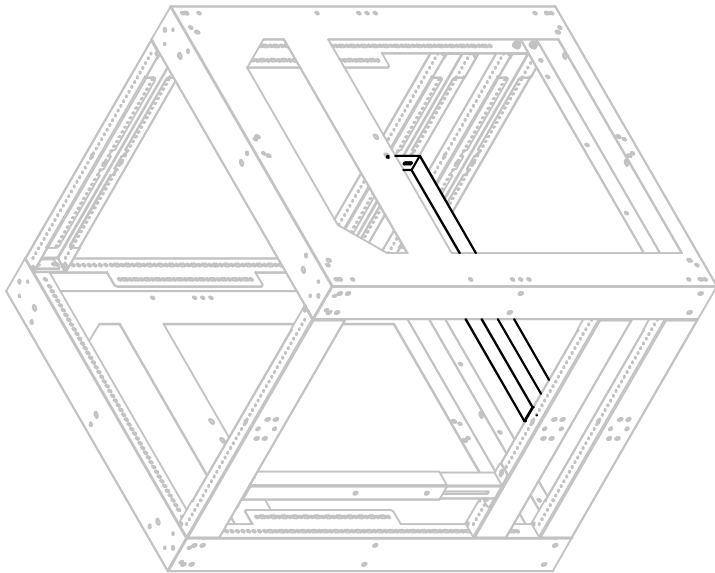
UNIFRAME MODULES
(SOLD SEPARATELY)

Support for Countertop Cutouts
Support for Flush Flooring



4X

Support for Shelves



Support for Drawer Units
Support for Enclosed Cabinets

All installations **must be ventilated** in compliance with applicable local, state, and federal codes
All adjustments to be based on appliance manufacturer's recommendations and all local building codes