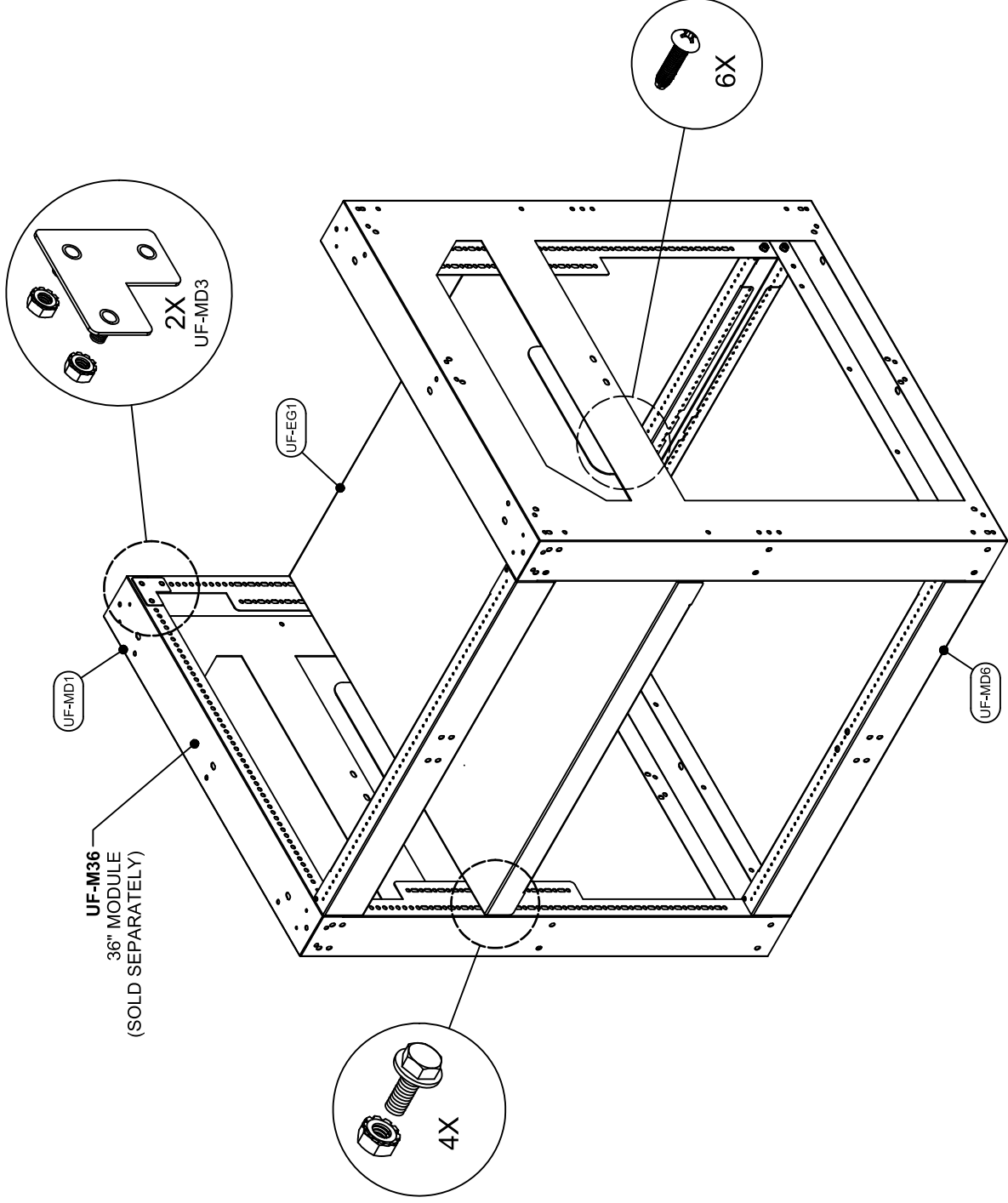
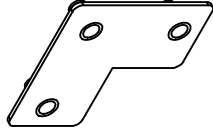


ASSEMBLY INSTRUCTIONS EGG COOKER SUPPORT SHELF

P/N: **UF-EG1**



HARDWARE PROVIDED



CORNER STUD PLATES (UF-MD3)



1/4-20 X 3/4" HEX BOLT



1/4-20 FLAT WASHERS



1/4-20 LOCK NUTS



#8-32 X 3/4" THREAD CUTTING SCREWS

PARTS LIST		
PN	DESCRIPTION	QTY
UF-MD1	END PANEL OR SPACER	2
UF-MD6	HORIZONTAL CHANNEL, 29"	3
UF-EG1	EGG SHELF WITH SIDE FLANGES	1
UF-MD3	CORNER SUPPORT	2
UF-MD9	DOUBLE STUD PLATE	6

All installations **must be ventilated** in compliance with applicable local, state, and federal codes. All adjustments to be based on appliance manufacturer's recommendations and all local building codes.