

ASSEMBLY INSTRUCTIONS 24" MODULE

P/N: UF-M24

HARDWARE PROVIDED



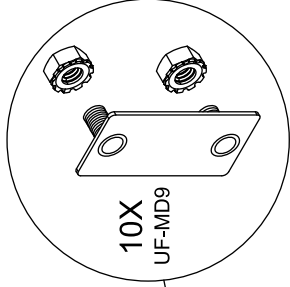
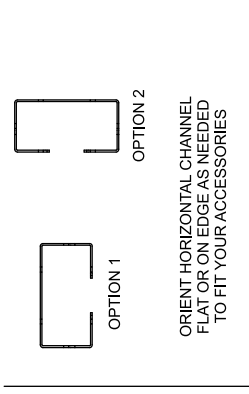
DOUBLE STUD PLATES (UF-MD9)



1/4-20 LOCK NUTS



#8-32 X 3/4" THREAD CUTTING SCREWS



10X
UF-MD9

UF-MD1

UF-MD4

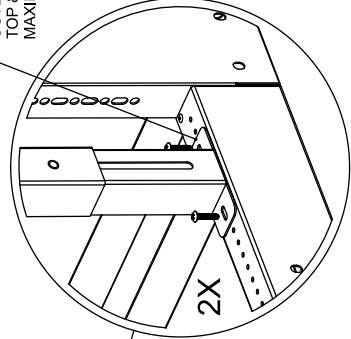
OPTION 1
OPTION 2

UF-SLN

ADJUSTABLE TO FIT

ADJUSTABLE TO FIT

OUTER TABS CAN BE REMOVED TOP & BOTTOM TO CREATE MAXIMUM WIDTH OPENING



PARTS LIST		
PN	DESCRIPTION	QTY
UF-MD1	END PANEL OR SPACER	2
UF-MD4	HORIZONTAL CHANNEL, 17"	5
UF-SLN	ADJUSTABLE VERTICAL SLIDE	1
UF-MD9	DOUBLE STUD PLATE	10

All installations must be ventilated in compliance with applicable local, state, and federal codes
All adjustments to be based on appliance manufacturer's recommendations and all local building codes