

# SIRAS™ Standard Bundle Quick Start Guide

102-2069-41 | Revision 6

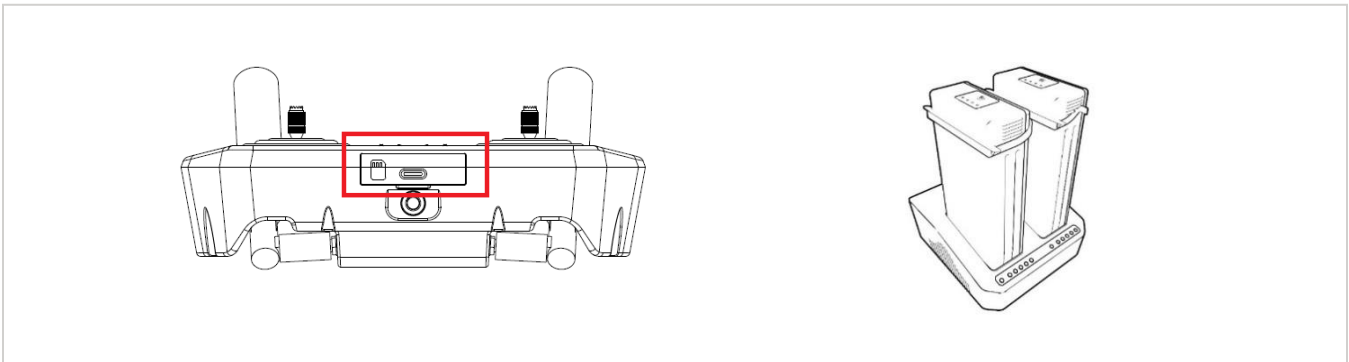


## 1. Documentation and Safety Warnings

This guide provides the minimum information needed to fly the SIRAS drone. Please refer to the *SIRAS Standard Bundle User Manual* for complete instructions and important safety and liability information. By operating the SIRAS drone, you agree to abide by and be bound by the requirements and limitations set forth in the SIRAS Standard Bundle User Manual.

## 2. Charge the Controller and the Aircraft Batteries

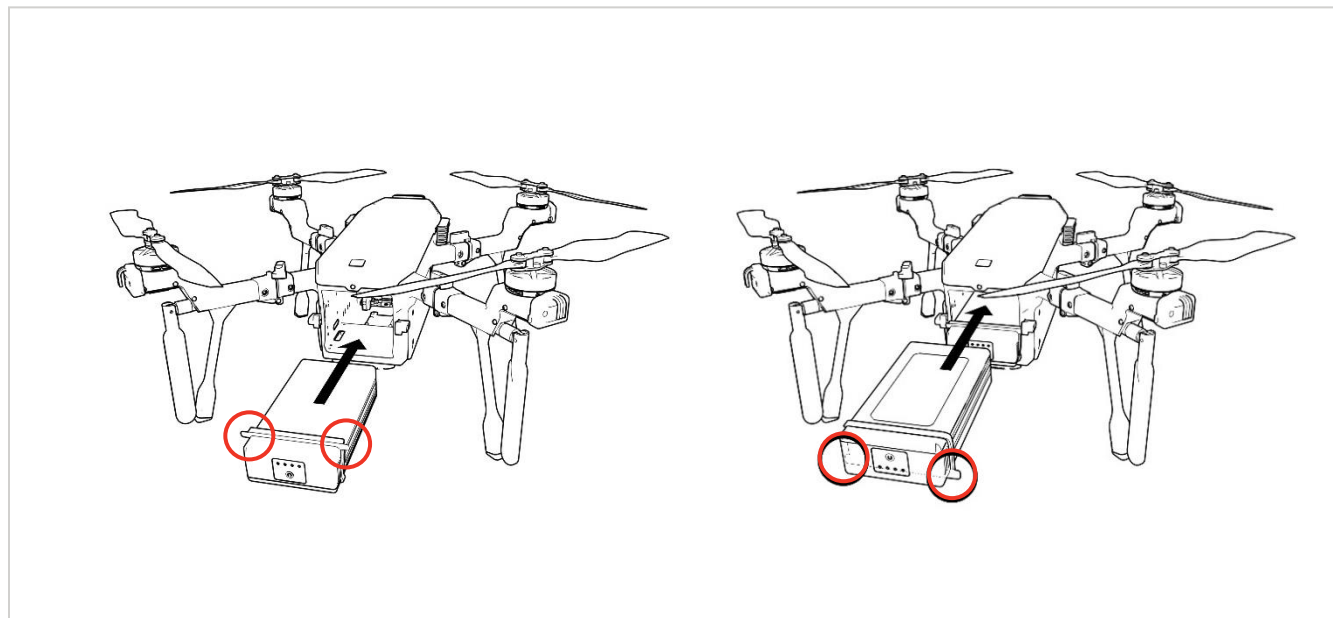
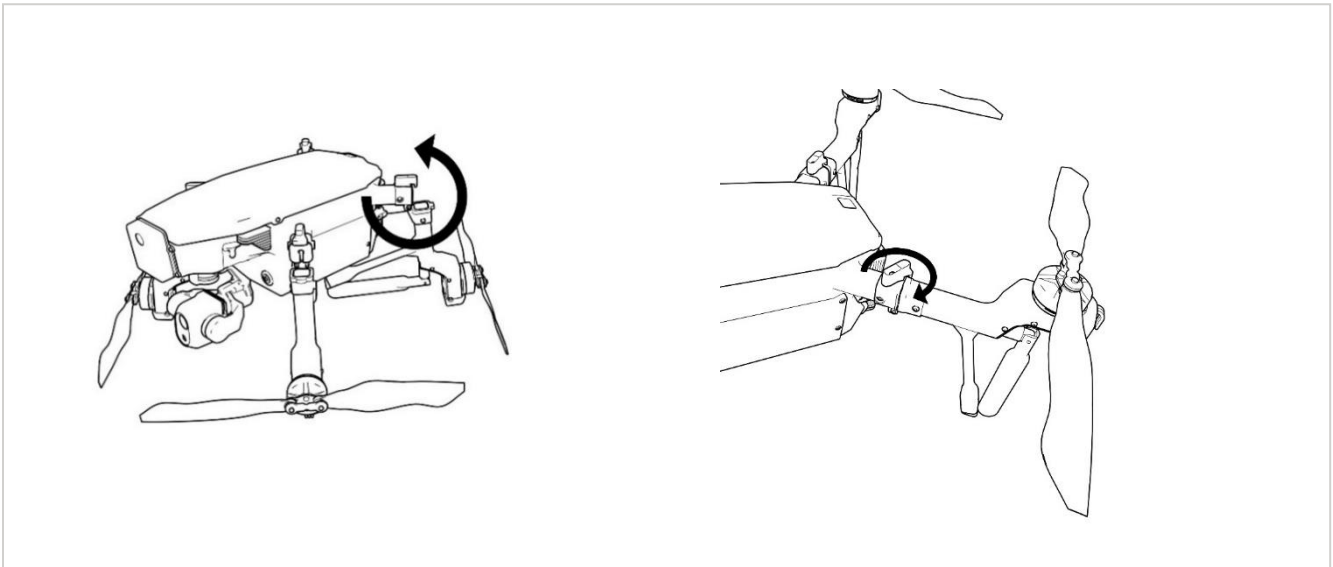
Charge the controller battery via the USB C port. Charge the aircraft batteries and use batteries with matched charge levels.



### 3. Prepare the Aircraft

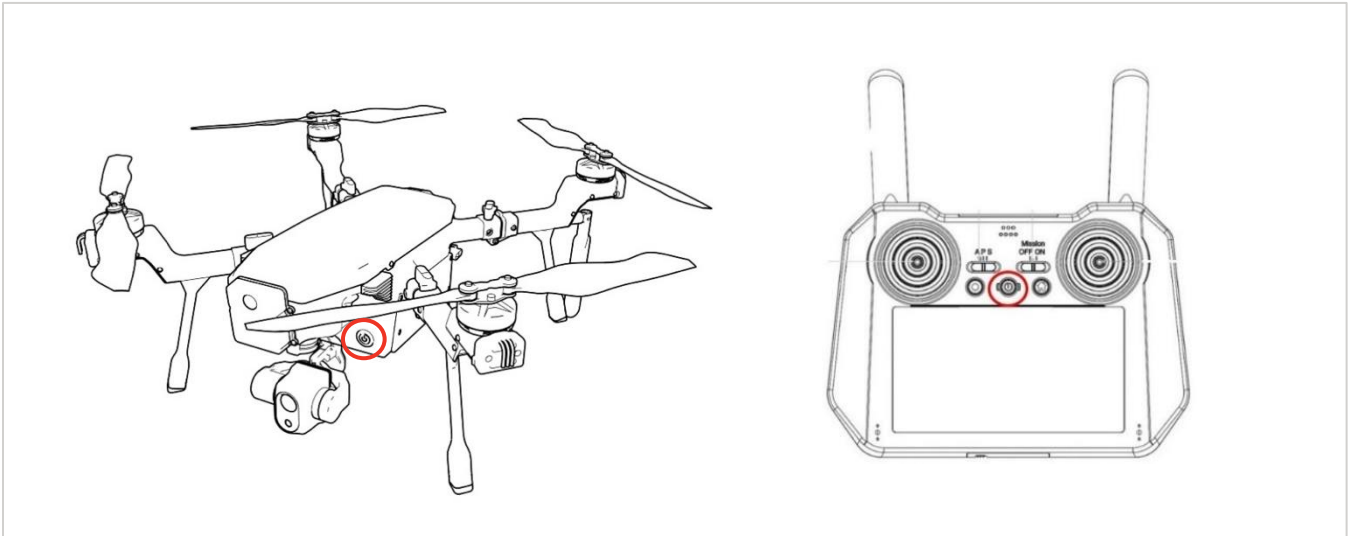
Unfold the aircraft arms, leaving the antennas pointing down.

Check for bent pins in the battery compartments of the aircraft. Carefully install the batteries and engage the locks on each side. Note that each battery is matched to a specific slot and has differently positioned locking tabs: the top battery's locking tabs are on its bottom and the bottom battery's locking tabs are on its top. Neither battery will fully insert into the wrong slot.



## 4. Turn on the Aircraft and Controller

Power on the aircraft before the controller by pressing its Power button and holding **for two seconds**. Power on the controller by pressing and releasing its Power button.



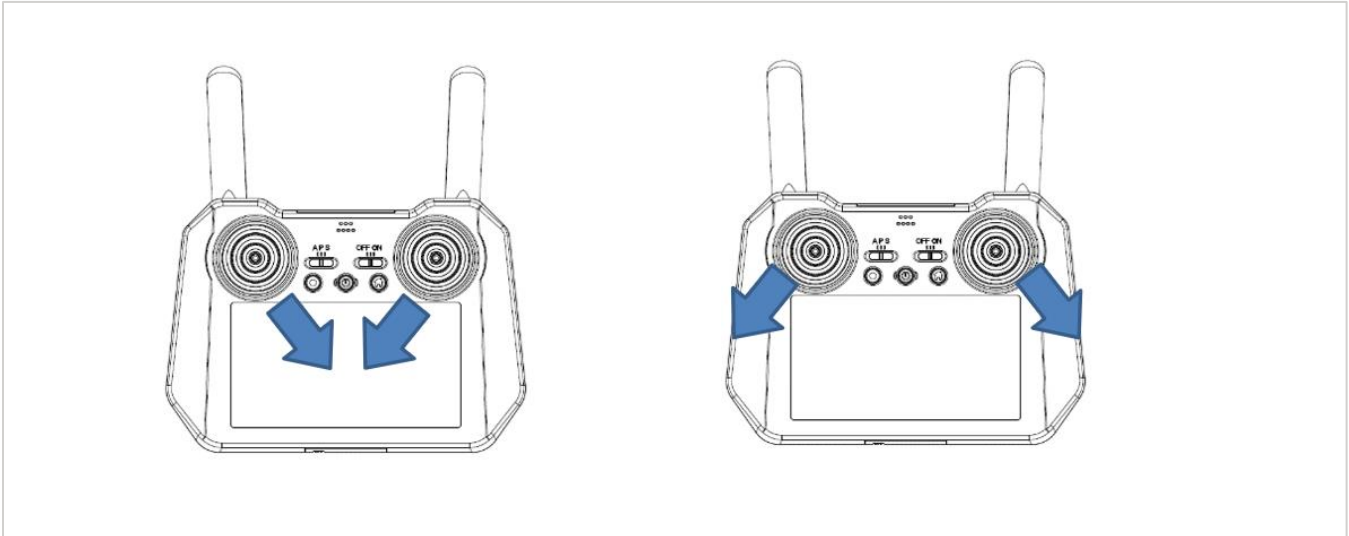
## 5. Start the Go Fly Application

The flight app will take a few moments to load. When it does, tap the Go Fly button. The Go Fly application will start. The controller screen will display an image and various icons as shown here and described in detail in the *User Manual*.



If the main display shows the Calibrate Compass (  ) icon in the top bar, the compass must be calibrated. See the *User Manual* for instructions.

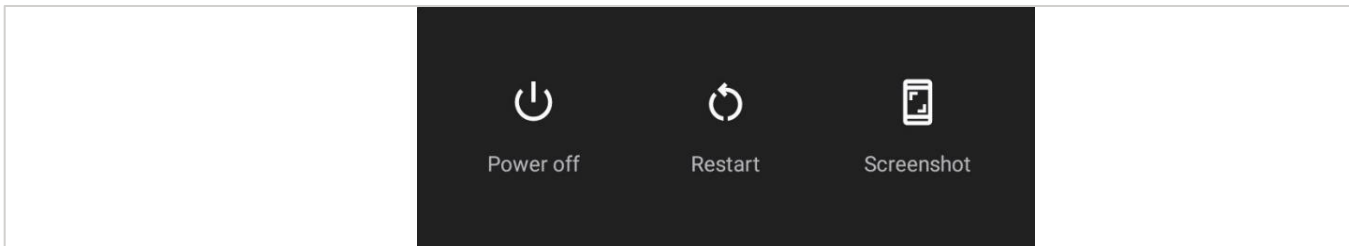
## 6. Start/Stop the Motors



Pull both joysticks backward and in to start the motors. Push the left joystick forward to take off. Pull both joysticks back and apart to stop the motors.

## 7. Power Down and Remove the Batteries

Turn the controller off by pressing the Power button and holding it for about one second. This will open a menu on the controller screen with an option to power off the controller. Tap Power Off to initiate the controller power-off sequence.



To power off the aircraft, press and release the Power button. Then press and hold the Power button for two seconds before releasing.

**Remove the aircraft batteries** if you do not plan to fly within the next six hours.