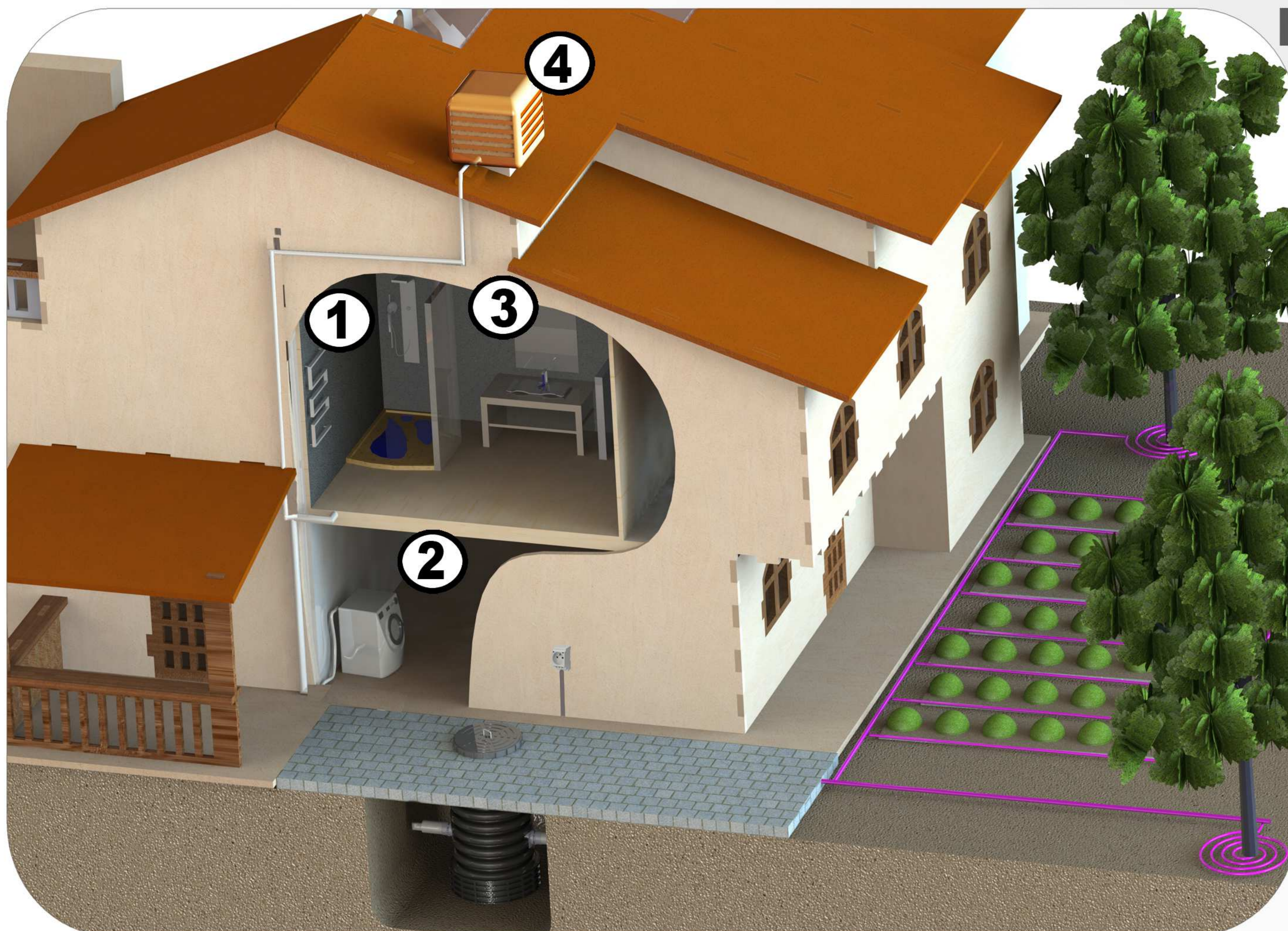




FLOW PRO

DOMESTIC GREY WATER DIVERTER FOR ABOVE & BELOW GROUND INSTALLATIONS IN NEW HOMES OR RETROFITS



Features & Advantages:

- Easy install Plug & Play unit
- Automatic backflush filtration system
- Extra low maintenance (2 years filter clean)
- Economical manual filtration option
- State of the art robust design
- For above & below ground installations
- 100mm inlet and outlet

Divert Grey Water from:

1. Showers
2. Washing Machine
3. Basins
4. Air Conditioner

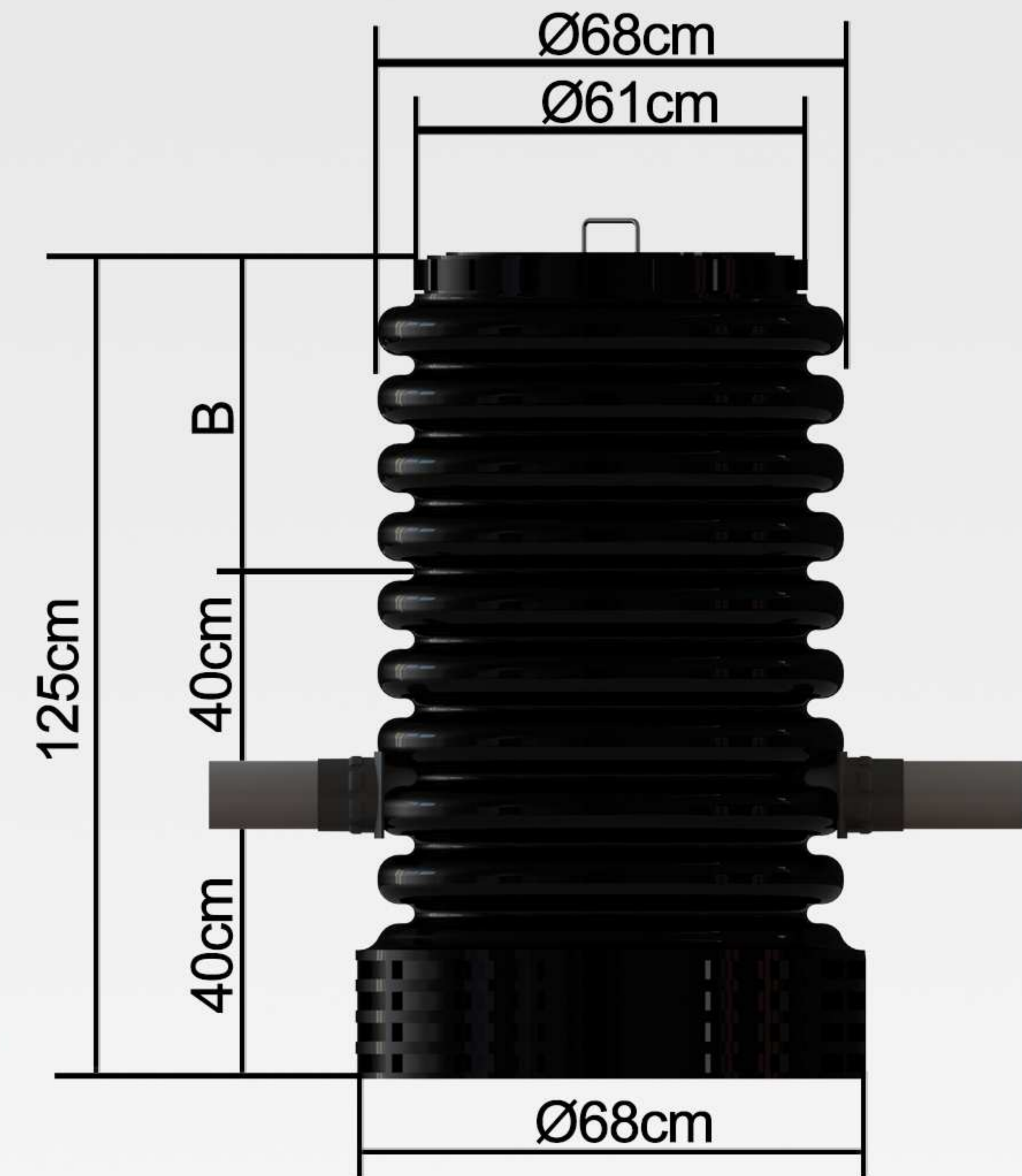
Save up to 200,000 litres a year

THE GREY FLOW PRO GREY WATER SYSTEM

**For above & below ground installation
in new homes and retrofits!**



1. Inlet & overflow (100mm)
2. Submersible pump options:
 - 100watt, 70 lpm & 6.5m head
 - 300watt, 180 lpm & 8m hear
 - 400watt, 180 lpm & 21m head
3. Corrugated PE pit (with adjustable height)
4. Controller & self cleaning mechanism
5. Filter chamber
6. Shut off plug
7. Ruber joiner (100mm)



Note: B is fully adjustable