

**SUPER PARTS  
WAREHOUSE**



**EARTHQUIP**  
AFFORDABLE HEAVY EQUIPMENT SOLUTIONS

**NZ's largest  
diesel parts  
range**

**NZ +649 414 5514    FJ +679 866 4053**  
**parts@earthquip.co.nz    www.earthquip.co.nz**

**HITACHI**  
**PARTS CATALOG**

**LX150-2**



## ALPHABETICAL INDEX

GRID		PAGE	GRID		PAGE
	<b>A</b>		1C11	AXLE, REAR, CAPSCREWS	0210 - 28
2G5	ACCESS DOOR	1810 - 2		<b>B</b>	
2I8	ACCESS PLATFORM AND STEPS	1822 - 3	2J20	BACK-UP ALARM	2004 - 1
2I9	ACCESS STEPS WITHOUT PLATFORM	1822 - 4	2H21	BACKREST BRACKETS	1821 - 8
3D17	ACTUATOR, BOOM KICKOUT	3160 - 61	2H18	BACKREST CUSHION	1821 - 5
3D23	ACTUATOR, BOOM KICKOUT	3160 - 67	2H19	BACKREST EXTENSION	1821 - 6
1G16	ADAPTER, EXHAUST MANIFOLD	0410 - 2	3C15	BARREL, BOOM CYLINDER	3160 - 32
2B8	ADHESIVE, SILICONE RUBBER	1330 - 2	2J7	BASE, SEAT	1830 - 23
2I3	ADJUSTER ASSEMBLY, WEIGHT	1821 - 14	2C5	BATTERY CABLE (DUAL)	1671 - 2
2H24	ADJUSTER, SEAT LOWER BACK, SUSPENSION SEAT	1821 - 11	2C4	BATTERY CABLE (SINGLE)	1671 - 1
1I21	ADJUSTING STRAP, ALTERNATOR	0423 - 2	2C5	BATTERY CLAMP (DUAL)	1671 - 2
1H12	AFTERCOOLER	0414 - 2	2C4	BATTERY CLAMP (SINGLE)	1671 - 1
1J6	AID, STARTING COLD WEATHER	0505 - 1	2C5	BATTERY HOLD DOWN (DUAL)	1671 - 2
1J13	AIR CLEANER	0520 - 1	2C4	BATTERY HOLD DOWN (SINGLE)	1671 - 1
1J14	AIR CLEANER BRACKET AND HOSE	0520 - 2	2C5	BATTERY INSTALLATION (DUAL)	1671 - 2
1J13	AIR CLEANER COVER	0520 - 1	2C4	BATTERY INSTALLATION (SINGLE)	1671 - 1
1J13	AIR CLEANER ELEMENTS	0520 - 1	1C3	BEARING QUILLS, DIFFERENTIAL (NO-SPIN)	0210 - 20
2J2	AIR CONDITIONER COMPRESSOR	1830 - 18	1I24	BEARING, FAN PULLEY	0429 - 2
2E1	AIR CONDITIONER COMPRESSOR HARNESS	1674 - 38	1J1	BEARING, FAN PULLEY	0429 - 4
2J6	AIR CONDITIONER COMPRESSOR MOUNTING BRACKETS	1830 - 22	1F9	BEARING, THRUST	0401 - 2
2B7	AIR CONDITIONER O-RING REPAIR KIT	1330 - 1	1H18	BEARING, WATER PUMP	0417 - 2
2I23	AIR CONDITIONING EVAPORATOR	1830 - 14	1C2	BEARINGS AND DIFFERENTIAL QUILLS (STANDARD DIFFERENTIAL)	0210 - 19
2I19	AIR CONDITIONING KIT	1830 - 10	1C4	BEARINGS, DIFFERENTIAL QUILLS (DIFFERENTIAL LOCK)	0210 - 21
2C21	AIR CONDITIONING SHUTOFF SWITCH	1674 - 6	1F9	BEARINGS, MAIN	0401 - 2
1J16	AIR STACK CAP	0520 - 4	2H15	BELT, SEAT, RETRACTABLE (51MM (2") WIDE)	1821 - 2
2J20	ALARM, BACK-UP	2004 - 1	2H16	BELT, SEAT, RETRACTABLE (76MM (3") WIDE)	1821 - 3
2F11	ALARM, MONITOR	1676 - 2	1J9	BELTS, FAN	0510 - 1
2C7	ALTERNATOR (135 AMP)	1672 - 3	1J9	BLADE, FAN	0510 - 1
2C6	ALTERNATOR (95 AMP)	1672 - 2	2H6	BLADE, FRONT WIPER	1810 - 30
1I21	ALTERNATOR ADJUSTING BRACKET	0423 - 2	2H8	BLADE, REAR WIPER	1810 - 32
1I21	ALTERNATOR ADJUSTING STRAP	0423 - 2	1F16	BLOCK, CYLINDER	0404 - 2
1I21	ALTERNATOR BRACKET	0423 - 2	1F22	BLOCK, CYLINDER	0404 - 8
1I21	ALTERNATOR SUPPORT	0423 - 2	1F18	BLOCK, SHORT	0404 - 4
3B17	ANTI-CAVITY VALVE BOOM SECTION	3160 - 8	2I23	BLOWER FAN	1830 - 14
1D6	ARM, FRONT AXLE DISCONNECT	0315 - 2	2I13	BLOWER FAN SWITCH	1830 - 4
1D8	ARM, FRONT AXLE DISCONNECT	0315 - 4	2I10	BLOWER MOTOR RESISTOR	1830 - 1
2H6	ARM, FRONT WIPER	1810 - 30	1G14	BOLTS, CYLINDER HEAD	0409 - 2
2H8	ARM, REAR WIPER	1810 - 32	3C15	BOOM CYLINDER	3160 - 32
1I12	ARMATURE (DELCO-REMY - 37MT)	0422 - 2	3C19	BOOM CYLINDER HYDRAULICS	3160 - 36
1I19	ARMATURE (DELCO-REMY - 37MT)	0422 - 10	3D17	BOOM KICKOUT ACTUATOR	3160 - 61
1I16	ARMATURE, STARTER	0422 - 7	3D23	BOOM KICKOUT ACTUATOR	3160 - 67
2H21	ARMRESTS AND BACKREST BRACKETS	1821 - 8	3D17	BOOM KICKOUT BRACKETS	3160 - 61
1F12	ARMS, ROCKER	0402 - 3	3D23	BOOM KICKOUT BRACKETS	3160 - 67
2H5	ASH TRAY	1810 - 28	3D17	BOOM KICKOUT SWITCH	3160 - 61
2E20	AUTO FUSE TERMINALS	1674 - 58	3D23	BOOM KICKOUT SWITCH	3160 - 67
2F9	AUTO FUSE TERMINALS	1674 - 74	3B9	BOOM LOADER	3140 - 4
3C3	AUXILAIRY SECTION (2 OR 3 LEVER REMOTE CONTROLLER)	3160 - 20	3C3	BOOM SECTION (2 OR 3 LEVER REMOTE CONTROLLER)	3160 - 20
3C5	AUXILAIRY SECTION (2 OR 3 LEVER REMOTE CONTROLLER)	3160 - 22	3C5	BOOM SECTION (2 OR 3 LEVER REMOTE CONTROLLER)	3160 - 22
2F19	AUXILIARY BOTTOM GUARD	1746 - 2	3B15	BOOM SECTION VALVE	3160 - 6
3B4	AUXILIARY CUTTING EDGE	3102 - 1	2F19	BOTTOM GUARD, AUXILIARY	1746 - 2
3C21	AUXILIARY HYDRAULICS, THIRD FUNCTION	3160 - 38	2F18	BOTTOM GUARD, REAR	1746 - 1
3B23	AUXILIARY SECTION VALVE	3160 - 14	1I5	BRACKET FUEL PRE FILTER	0420 - 4
3B21	AUXILIARY SECTION, UNIVERSAL RELIEF VALVE	3160 - 12	1J14	BRACKET, AIR CLEANER AND HOSE	0520 - 2
3B4	AUXILIARY WEAR PLATES	3102 - 1	1I21	BRACKET, ALTERNATOR	0423 - 2
3B25	AUXILIARY, SINGLE, CONTROLLER	3160 - 17	1I21	BRACKET, ALTERNATOR ADJUSTING	0423 - 2
1C23	AXLE HOUSING, FRONT	0250 - 6	1G25	BRACKET, FUEL SHUT-OFF	0413 - 9
1C21	AXLE HOUSING, REAR	0250 - 4	1H1	BRACKET, FUEL SHUT-OFF	0413 - 10
1C23	AXLE SHAFT, FRONT	0250 - 6	2J21	BRACKET, HORN	2004 - 2
1C21	AXLE SHAFT, REAR	0250 - 4			
1C18	AXLE STOP	0240 - 2			
3B7	AXLE, FRONT, CAPSCREWS	3140 - 2			

## ALPHABETICAL INDEX - CONTINUED

GRID		PAGE	GRID		PAGE
2B2	BRACKET, LICENSE PLATE	1314 - 1	2J7	CAB REAR PANEL	1830 - 23
3D16	BRACKET, RETURN-TO-DIG	3160 - 60	2G15	CAB REAR WINDOW	1810 - 12
3D22	BRACKET, RETURN-TO-DIG	3160 - 66	2G4	CAB SHIELDS	1810 - 1
1G24	BRACKET, SPEED CONTROL	0413 - 8	2G17	CAB WINDOW FRAME AND GLASS (RIGHT SIDE)	1810 - 14
1H10	BRACKET, SPEED CONTROL	0413 - 20	2G15	CAB WINDOWS	1810 - 12
2C13	BRACKET, TAIL LIGHT AND STOP LIGHT	1673 - 6	2G15	CAB WINDSHIELD	1810 - 12
2H21	BRACKETS, ARMREST	1821 - 8	2D18	CAB WORK LIGHT HARNESS	1674 - 30
2H21	BRACKETS, BACKREST	1821 - 8	2E24	CAB WORK LIGHT HARNESS	1674 - 64
3D17	BRACKETS, BOOM KICKOUT	3160 - 61	2C5	CABLE, BATTERY (DUAL)	1671 - 2
3D23	BRACKETS, BOOM KICKOUT	3160 - 67	2C4	CABLE, BATTERY (SINGLE)	1671 - 1
1J18	BRACKETS, ENGINE MOUNTING	0540 - 2	1D6	CABLE, FRONT AXLE DISCONNECT	0315 - 2
1D12	BRACKETS, MOUNTING, TRANSMISSION	0342 - 2	1D8	CABLE, FRONT AXLE DISCONNECT	0315 - 4
1K23	BRAKE LIGHT SWITCH	1060 - 4	2I13	CABLE, HEATER VALVE CONTROL	1830 - 4
1K19	BRAKE LINE, DIFFERENTIAL	1011 - 2	1J12	CABLE, SPEED CONTROL	0515 - 2
1K20	BRAKE PEDALS	1015 - 1	1F10	CAMSHAFT	0402 - 1
1K18	BRAKE PLATES	1011 - 1	1F10	CAMSHAFT AND INJECTION PUMP DRIVE GEAR	0402 - 1
3D1	BRAKE PUMP (CLOSED CENTER)	3160 - 44	1F10	CAMSHAFT BUSHING	0402 - 1
1K21	BRAKE VALVE	1060 - 2	1F10	CAMSHAFT FOLLOWER	0402 - 1
1K23	BRAKE VALVE HYDRAULICS	1060 - 4	1F12	CAMSHAFT FOLLOWER	0402 - 3
1K18	BRAKES	1011 - 1	2G13	CANOPY	1810 - 10
2E11	BREAKER, CIRCUIT	1674 - 48	2H3	CANOPY FLOOR MAT	1810 - 26
1B24	BREATHER, DIFFERENTIAL CASE	0210 - 16	2D20	CANOPY WORK LIGHT HARNESS	1674 - 32
1I12	BRUSH, STARTER (DELCO-REMY - 37MT)	0422 - 2	2E25	CANOPY WORK LIGHT HARNESS	1674 - 65
1I19	BRUSH, STARTER (DELCO-REMY - 37MT)	0422 - 10	1J16	CAP, AIR STACK	0520 - 4
3B21	BUCKET AND AUXILIARY SECTION, UNIVERSAL RELIEF VALVE	3160 - 12	2G7	CAP, WINDOW WASHER	1810 - 4
3C17	BUCKET CYLINDER HYDRAULICS TO LOADER CONTROL VALVE	3160 - 34	1B24	CASE, DIFFERENTIAL	0210 - 16
3C3	BUCKET SECTION (2 OR 3 LEVER REMOTE CONTROLLER)	3160 - 20	1H16	CENTER HOUSING, TURBOCHARGER	0416 - 4
3C5	BUCKET SECTION (2 OR 3 LEVER REMOTE CONTROLLER)	3160 - 22	1H17	CENTER HOUSING, TURBOCHARGER	0416 - 5
3B19	BUCKET SECTION VALVE	3160 - 10	1D19	CHARGE PUMP	0350 - 8
3B5	BUCKET TEETH, LOADER	3102 - 2	2E11	CIRCUIT BREAKERS	1674 - 48
3C3	BUCKET, BOOM, AUXILIARY SECTION (2 OR 3 LEVER REMOTE CONTROLLER)	3160 - 20	2C5	CLAMP, BATTERY (DUAL)	1671 - 2
3C5	BUCKET, BOOM, AUXILIARY SECTION (2 OR 3 LEVER REMOTE CONTROLLER)	3160 - 22	2C4	CLAMP, BATTERY (SINGLE)	1671 - 1
3B5	BUCKETS, LOADER	3102 - 2	1J13	CLEANER, AIR	0520 - 1
2C12	BULB, REAR TURN SIGNAL LAMP	1673 - 5	2I13	CLIMATE CONTROLS	1830 - 4
2C12	BULB, REAR WARNING LAMP	1673 - 5	1E13	CLUTCH ASSEMBLY	0350 - 26
2C11	BULB, STOP LAMP	1673 - 4	1E15	CLUTCH ASSEMBLY	0350 - 28
2C11	BULB, TAIL LAMP	1673 - 4	1E17	CLUTCH ASSEMBLY	0350 - 30
2F17	BUMPER STOP, RUBBER	1740 - 3	1F3	CLUTCH DISCONNECT CONTROL	0374 - 2
1F10	BUSHING, CAMSHAFT	0402 - 1	2J2	CLUTCH, COMPRESSOR	1830 - 18
3C13	BUSHINGS, BUCKET CYLINDER	3160 - 30	1E13	CLUTCHES, FORWARD AND FIRST GEAR	0350 - 26
2D2	BUTTON, HORN	1674 - 13	2J2	COIL, COMPRESSOR	1830 - 18
1E24	BY-PASS VALVE, THERMAL	0360 - 3	1I12	COIL, FIELD WINDING (DELCO-REMY - 37MT)	0422 - 2
1I1	BYPASS VALVE, OIL FILTER	0419 - 2	1I19	COIL, FIELD WINDING (DELCO-REMY - 37MT)	0422 - 10
			1I15	COIL, STARTER	0422 - 6
			1J6	COLD WEATHER STARTING AID	0505 - 1
			1K15	COLUMN, STEERING	0960 - 14
			1I14	COMMUTATOR END FRAME, STARTER	0422 - 5
			2C22	COMPARTMENT, LOAD CENTER	1674 - 8
			2J2	COMPRESSOR COIL	1830 - 18
			2J3	COMPRESSOR HARDWARE KIT	1830 - 19
			2J4	COMPRESSOR SHAFT SEAL KIT	1830 - 20
			2J2	COMPRESSOR, AIR CONDITIONER	1830 - 18
			2E1	COMPRESSOR, AIR CONDITIONER, HARNESS	1674 - 38
			2J2	COMPRESSOR, CLUTCH PULLEY	1830 - 18
			2I19	CONDENSER	1830 - 10
			2I25	CONDENSER DOOR	1830 - 16
			2I19	CONDENSER DOOR AND REFRIGERENT LINES	1830 - 10
			2I19	CONDENSER HOUSING	1830 - 10
			2I21	CONDENSER HOUSING WITH FANS	1830 - 12
			2B18	CONDITIONER, COOLANT	1369 - 10
			1F14	CONNECTING RODS	0403 - 1
			1H3	CONNECTORS, FUEL INJECTION PUMP HOUSING	0413 - 12
			1G22	CONNECTORS, FUEL INJECTION PUMP HOUSING (NIPPONDENSO) (AZ031)	0413 - 6
			2E16	CONNECTORS, WEATHERPACK	1674 - 54
			2F5	CONNECTORS, WEATHERPACK	1674 - 70
			2H2	CONSOLE COVER, LEFT	1810 - 24

### C

## ALPHABETICAL INDEX - CONTINUED

<i>GRID</i>		<i>PAGE</i>	<i>GRID</i>		<i>PAGE</i>
2C22	CONSOLE, CONTROL .....	1674 - 8	3B4	CUTTING EDGE, AUXILIARY .....	3102 - 1
2H1	CONSOLE, RIGHT .....	1810 - 23	3B5	CUTTING EDGE, LOADER BUCKET .....	3102 - 2
2C22	CONTROL CONSOLE .....	1674 - 8	1F16	CYLINDER BLOCK .....	0404 - 2
1E7	CONTROL VALVE .....	0350 - 20	1F22	CYLINDER BLOCK .....	0404 - 8
1E9	CONTROL VALVE .....	0350 - 22	1G14	CYLINDER HEAD .....	0409 - 2
1E5	CONTROL VALVE GASKET .....	0350 - 18	1G14	CYLINDER HEAD BOLTS .....	0409 - 2
1E5	CONTROL VALVE PLATE .....	0350 - 18	1G14	CYLINDER HEAD GASKET .....	0409 - 2
3B11	CONTROL VALVE, LOADER (2 OR 3-SPOOL) .....	3160 - 2	1J3	CYLINDER HEAD GASKET KIT .....	0452 - 2
1E7	CONTROL VALVE, TRANSMISSION .....	0350 - 20	1K14	CYLINDER HYDRAULICS, STEERING .....	0960 - 12
1E9	CONTROL VALVE, TRANSMISSION .....	0350 - 22	2B18	CYLINDER LINER PACKING LUBRICANT .....	1369 - 10
1F3	CONTROL, CLUTCH DISCONNECT .....	0374 - 2	1F14	CYLINDER LINERS .....	0403 - 1
2I13	CONTROL, TEMPERATURE .....	1830 - 4	1K9	CYLINDER PINS, STEERING .....	0960 - 6
3C7	CONTROLLER, HYDRAULIC REMOTE .....	3160 - 24	3C15	CYLINDER, BOOM .....	3160 - 32
2C22	CONTROLLER, SECONDARY STEERING .....	1674 - 8	3C13	CYLINDER, BUCKET .....	3160 - 30
3B25	CONTROLLER, SINGLE AUXILIARY .....	3160 - 17	1K10	CYLINDER, STEERING .....	0960 - 8
3C2	CONTROLLER, THREE-LEVER REMOTE .....	3160 - 19	1K11	CYLINDER, STEERING .....	0960 - 9
3C1	CONTROLLER, TWO-LEVER REMOTE .....	3160 - 18			
2I13	CONTROLS, CLIMATE .....	1830 - 4		D	
1D6	CONTROLS, FRONT AXLE DISCONNECT .....	0315 - 2	1D11	DAMPENER, DRIVE AND COVER .....	0325 - 2
1D8	CONTROLS, FRONT AXLE DISCONNECT .....	0315 - 4	1I23	DAMPER, CRANKSHAFT .....	0429 - 1
1D18	CONVERTER .....	0350 - 6	2H10	DASH LOWER COVER .....	1810 - 34
1D16	CONVERTER HOUSING AND DRIVE .....	0350 - 4	2H10	DASH PANEL .....	1810 - 34
1E3	CONVERTER PRESSURE REGULATOR .....	0350 - 16	2I4	DEC. 105046T .....	1821 - 15
1D18	CONVERTER, TORQUE .....	0350 - 6	2B4	DECALS AND LABELS .....	1320 - 2
1J8	COOLANT HEATER, ENGINE .....	0505 - 4	2I13	DEFROSTER FAN SWITCH .....	1830 - 4
1I1	COOLER AND OIL FILTER HOUSING .....	0419 - 2	2E19	DEUTSCH TERMINALS .....	1674 - 57
1E24	COOLER HYDRAULICS, TRANSMISSION .....	0360 - 3	2F8	DEUTSCH TERMINALS .....	1674 - 73
1I1	COOLER, ENGINE OIL .....	0419 - 2	1C4	DIFFERENTIAL BEARING QUILLS (DIFFERENTIAL LOCK) .....	0210 - 21
2B19	COOLING FLUID, ENGINE .....	1369 - 11	1C3	DIFFERENTIAL BEARINGS AND QUILLS (NO-SPIN) .....	0210 - 20
2I23	CORE, HEATER .....	1830 - 14	1C2	DIFFERENTIAL BEARINGS AND QUILLS (STANDARD DIFFERENTIAL) .....	0210 - 19
2F21	COUNTERWEIGHT ATTACHING HARDWARE .....	1749 - 2	1C5	DIFFERENTIAL BEVEL GEAR .....	0210 - 22
2F22	COUNTERWEIGHT ATTACHING HARDWARE .....	1749 - 3	1B24	DIFFERENTIAL CASE .....	0210 - 16
2F23	COUNTERWEIGHT WITH DRAWBAR .....	1749 - 4	1C1	DIFFERENTIAL CASE OIL LINES .....	0210 - 18
2F20	COUNTERWEIGHT, INSIDE .....	1749 - 1	1C5	DIFFERENTIAL COVER .....	0210 - 22
2F22	COUNTERWEIGHT, SECOND .....	1749 - 3	1C5	DIFFERENTIAL HOUSING .....	0210 - 22
1D10	COUPLING .....	0325 - 1	1C9	DIFFERENTIAL HOUSING (DIFFERENTIAL LOCK) .....	0210 - 26
1B20	COVER DIFFERENTIAL (FRONT) (DISCONNECT) .....	0210 - 12	1C7	DIFFERENTIAL HOUSING (NO-SPIN) .....	0210 - 24
2B17	COVER KIT WITH DUST CAP .....	1369 - 9	1B20	DIFFERENTIAL INPUT QUILL (FRONT) (DISCONNECT) .....	0210 - 12
1J13	COVER, AIR CLEANER .....	0520 - 1	1B18	DIFFERENTIAL INPUT QUILL (FRONT) (NO DISCONNECT) .....	0210 - 10
2G21	COVER, CAB DOOR, HOLD-OPEN RELEASE .....	1810 - 18	1B16	DIFFERENTIAL INPUT QUILL (REAR) .....	0210 - 8
2H10	COVER, DASH LOWER .....	1810 - 34	1D1	DIFFERENTIAL LOCK LINES, FRONT AND REAR .....	0260 - 2
1C5	COVER, DIFFERENTIAL .....	0210 - 22	1D3	DIFFERENTIAL LOCK PEDAL AND SWITCH .....	0260 - 4
1C9	COVER, DIFFERENTIAL (DIFFERENTIAL LOCK) .....	0210 - 26	1C11	DIFFERENTIAL SUPPORTS AND LUBE LINES .....	0210 - 28
1B18	COVER, DIFFERENTIAL (FRONT) (NO DISCONNECT) .....	0210 - 10	1E1	DIPSTICK .....	0350 - 14
1C7	COVER, DIFFERENTIAL (NO-SPIN) .....	0210 - 24	1F24	DIPSTICK, ENGINE OIL .....	0407 - 1
1B16	COVER, DIFFERENTIAL (REAR) .....	0210 - 8	1D6	DISCONNECT CONTROLS, FRONT AXLE .....	0315 - 2
1F11	COVER, INJECTION PUMP ACCESS .....	0402 - 2	1D8	DISCONNECT CONTROLS, FRONT AXLE .....	0315 - 4
2H2	COVER, LEFT CONSOLE .....	1810 - 24	1K18	DISK, BRAKE .....	1011 - 1
2J7	COVER, RECIRCULATION FILTER .....	1830 - 23	2C14	DOME LIGHT .....	1673 - 7
2H11	COVER, RIGHT CONSOLE .....	1810 - 35	2G23	DOOR HANDLE, CAB .....	1810 - 20
1F13	COVER, ROCKER ARM (6076) .....	0402 - 4	2G21	DOOR HOLD-OPEN RELEASE, CAB .....	1810 - 18
1I18	COVER, STARTER SOLENOID .....	0422 - 9	2G5	DOOR, ACCESS .....	1810 - 2
1F11	COVER, TIMING GEAR .....	0402 - 2	2G19	DOOR, CAB AND GLASS .....	1810 - 16
1F13	COVER, VALVE (6076) .....	0402 - 4	2G18	DOOR, CAB FRESH AIR FILTER .....	1810 - 15
2H12	COVER, VANDAL .....	1810 - 36	2I25	DOOR, CONDENSER .....	1830 - 16
2J12	COVERS, BATTERY BOX .....	1913 - 2	2G6	DOOR, STORAGE COMPARTMENT .....	1810 - 3
1F8	CRANKSHAFT .....	0401 - 1	2F21	DRAWBAR PIN .....	1749 - 2
1I23	CRANKSHAFT DAMPER .....	0429 - 1	2F22	DRAWBAR PIN .....	1749 - 3
1F11	CRANKSHAFT FRONT OIL SEAL .....	0402 - 2			
1F15	CRANKSHAFT OIL SEAL .....	0404 - 1			
1F15	CRANKSHAFT OIL SEAL HOUSING .....	0404 - 1			
1I23	CRANKSHAFT PULLEY .....	0429 - 1			
2H18	CUSHION, BACKREST .....	1821 - 5			
2H18	CUSHION, SEAT .....	1821 - 5			
2F17	CUSHION, STEERING .....	1740 - 3			



# 1A16

LX150 LOADER

## ALPHABETICAL INDEX - CONTINUED

<i>GRID</i>		<i>PAGE</i>	<i>GRID</i>		<i>PAGE</i>
2F23	DRAWBAR, WITH COUNTERWEIGHT .....	1749 - 4	1J10	FAN SHROUD .....	0510 - 2
1D11	DRIVE DAMPENER AND COVER .....	0325 - 2	2I23	FAN, BLOWER .....	1830 - 14
1F8	DRIVE GEAR, OIL PUMP .....	0401 - 1	2I21	FANS, CONDENSER HOUSING .....	1830 - 12
1I16	DRIVE HOUSING, STARTER .....	0422 - 7	2J15	FENDER, LEFT REAR .....	1927 - 2
2C17	DRIVE LIGHT SWITCH .....	1674 - 2	2J16	FENDER, RIGHT REAR .....	1927 - 3
1C13	DRIVE SHAFT .....	0225 - 2	2J14	FENDERS, FRONT .....	1927 - 1
1C15	DRIVE SHAFT .....	0225 - 4	1I12	FIELD WINDING COIL (DELCO-REMY - 37MT) .....	0422 - 2
1C19	DRIVE SHAFT, PLANETARY .....	0250 - 2	1I19	FIELD WINDING COIL (DELCO-REMY - 37MT) .....	0422 - 10
2B17	DUST CAP WITH COVER KIT .....	1369 - 9	1E1	FILLER TUBE AND DIPSTICK .....	0350 - 14
	<b>E</b>		1G12	FILLER, ENGINE OIL .....	0407 - 14
1J7	EHTER INJECTION SOLENOID .....	0505 - 2	2J7	FILTER COVER, RECIRCULATION .....	1830 - 23
1G16	ELBOW, EXHAUST MANIFOLD .....	0410 - 2	1G6	FILTER, ENGINE OIL .....	0407 - 8
1G25	ELECTRIC SHUT-OFF SOLENOID .....	0413 - 9	1I1	FILTER, ENGINE OIL .....	0419 - 2
1H1	ELECTRIC SHUT-OFF SOLENOID KIT .....	0413 - 10	2I10	FILTER, FRESH AIR .....	1830 - 1
1J13	ELEMENTS, AIR CLEANER .....	0520 - 1	1I3	FILTER, FUEL .....	0420 - 2
2B6	EMBLEM, SLOW MOVING VEHICLE .....	1320 - 4	1I7	FILTER, FUEL .....	0420 - 6
2I7	ENGINE COMPARTMENT STEP .....	1822 - 2	3D10	FILTER, HYDRAULIC OIL .....	3160 - 54
1J8	ENGINE COOLANT HEATER .....	0505 - 4	3D9	FILTER, OIL, MAIN HYDRAULIC .....	3160 - 53
2D3	ENGINE COOLANT TEMPERATURE SENDER .....	1674 - 14	2J7	FILTER, RECIRCULATION .....	1830 - 23
2F16	ENGINE FRAME .....	1740 - 2	3D5	FILTER, SUCTION .....	3160 - 48
2E7	ENGINE FRAME HARNESS .....	1674 - 44	1E21	FILTER, TRANSMISSION .....	0350 - 34
1J18	ENGINE MOUNTING BRACKETS .....	0540 - 2	1H18	FILTER, WEEP HOLE (WATER PUMP) .....	0417 - 2
1I1	ENGINE OIL COOLER .....	0419 - 2	2B21	FILTERS MACHINE .....	1399 - 1
1F24	ENGINE OIL DIPSTICK .....	0407 - 1	3C13	FITTINGS AND GREASE HOSE, BUCKET CYLINDER .....	3160 - 30
1F24	ENGINE OIL DIPSTICK TUBE .....	0407 - 1	3D7	FITTINGS, HYDRAULIC RESERVOIR .....	3160 - 50
1G12	ENGINE OIL FILLER .....	0407 - 14	2E11	FLASHER .....	1674 - 48
1G6	ENGINE OIL FILTER .....	0407 - 8	2C19	FLASHER SWITCH (4-WAY FLASHER) .....	1674 - 4
1I1	ENGINE OIL FILTER .....	0419 - 2	2B16	FLAT FACE O-RING SEAL KIT .....	1369 - 8
2C25	ENGINE OIL PRESSURE SWITCH .....	1674 - 11	2H3	FLOOR MAT, CANOPY .....	1810 - 26
1G1	ENGINE OIL PUMP .....	0407 - 2	2B19	FLUID, ENGINE COOLING .....	1369 - 11
1G3	ENGINE OIL PUMP INTAKE .....	0407 - 4	1J2	FLYWHEEL .....	0433 - 1
1F20	ENGINE OVERHAUL KIT .....	0404 - 6	1F10	FOLLOWER, CAMSHAFT .....	0402 - 1
1J3	ENGINE REBUILD GASKET KIT .....	0452 - 2	1F12	FOLLOWER, CAMSHAFT .....	0402 - 3
2J10	ENGINE SIDE SHIELD LATCH .....	1910 - 2	2H23	FORE AND AFT ADJUSTMENT .....	1821 - 10
2J10	ENGINE SIDE SHIELD PLATE .....	1910 - 2	1E13	FORWARD AND FIRST GEAR CLUTCHES .....	0350 - 26
2J10	ENGINE SIDE SHIELDS .....	1910 - 2	1E11	FOURTH GEAR IDLER AND SHAFT .....	0350 - 24
1J22	ENGINE SPEED SENSOR .....	0570 - 2	1E17	FOURTH GEAR, CLUTCH ASSEMBLY .....	0350 - 30
2F14	ENGINE SPEED SENSOR .....	1676 - 5	2F16	FRAME, ENGINE .....	1740 - 2
1D10	ENGINE TO TRANSMISSION UNIVERSAL JOINT .....	0325 - 1	3B7	FRAME, LOADER .....	3140 - 2
2B18	ENGINE VALVE STEM LUBRICANT .....	1369 - 10	2I10	FRESH AIR FILTER .....	1830 - 1
1F13	ENGINE VENTILATOR OUTLET HOSE (6076) .....	0402 - 4	2I10	FRESH AIR HOUSING .....	1830 - 1
2I23	EVAPORATOR LINES, AIR CONDITIONING .....	1830 - 14	1D1	FRONT AND REAR DIFFERENTIAL LOCK LINES .....	0260 - 2
2I23	EVAPORATOR, AIR CONDITIONING .....	1830 - 14	2G7	FRONT AND REAR WINDOW WASHER .....	1810 - 4
1G16	EXHAUST MANIFOLD ADAPTER .....	0410 - 2	2C15	FRONT AND REAR WORK LAMP .....	1673 - 8
1G16	EXHAUST MANIFOLD ELBOW .....	0410 - 2	3B7	FRONT AXLE CAPSCREWS .....	3140 - 2
1G16	EXHAUST MANIFOLD GASKETS .....	0410 - 2	1D6	FRONT AXLE DISCONNECT CONTROLS .....	0315 - 2
1G16	EXHAUST MANIFOLDS .....	0410 - 2	1D8	FRONT AXLE DISCONNECT CONTROLS .....	0315 - 4
1G14	EXHAUST VALVE SHIELD .....	0409 - 2	1C15	FRONT DIFFERENTIAL UNIVERSAL JOINTS (WITH DISCONNECT) .....	0225 - 4
1G14	EXHAUST VALVES .....	0409 - 2	1C13	FRONT DIFFERENTIAL UNIVERSAL JOINTS (WITHOUT DISCONNECT) .....	0225 - 2
2I23	EXPANSION VALVE, AIR CONDITIONING .....	1830 - 14	2J14	FRONT FENDERS .....	1927 - 1
	<b>F</b>		2C10	FRONT LIGHT GUARD .....	1673 - 3
1J9	FAN BELTS .....	0510 - 1	1F11	FRONT OIL SEAL .....	0402 - 2
1J9	FAN BLADE, SPACER AND BELTS .....	0510 - 1	2C8	FRONT TRACTOR LAMP .....	1673 - 1
1I24	FAN DRIVE PULLEY .....	0429 - 2	2C9	FRONT TURN SIGNAL LIGHT .....	1673 - 2
1I25	FAN DRIVE PULLEY .....	0429 - 3	2C9	FRONT WARNING LIGHT .....	1673 - 2
1J1	FAN DRIVE PULLEY .....	0429 - 4	1H23	FRONT WATER MANIFOLD .....	0418 - 2
1J10	FAN GUARD .....	0510 - 2	2H6	FRONT WINDSHIELD WIPER .....	1810 - 30
1I24	FAN PULLEY BEARING .....	0429 - 2	2H6	FRONT WINDSHIELD WIPER SWITCH .....	1810 - 30
1J1	FAN PULLEY BEARING .....	0429 - 4	2H6	FRONT WIPER ARM .....	1810 - 30
			2H6	FRONT WIPER BLADE .....	1810 - 30
			1I3	FUEL CHECK VALVE .....	0420 - 2
			1I7	FUEL CHECK VALVE .....	0420 - 6
			1I3	FUEL FILTER .....	0420 - 2
			1I7	FUEL FILTER .....	0420 - 6



# 1A18

LX150 LOADER

## ALPHABETICAL INDEX - CONTINUED

GRID		PAGE	GRID		PAGE
1C21	HOUSING, AXLE, REAR	0250 - 4	1G14	INTAKE VALVES	0409 - 2
2I19	HOUSING, CONDENSER	1830 - 10	1G3	INTAKE, ENGINE OIL PUMP	0407 - 4
2I21	HOUSING, CONDENSER, WITH FANS	1830 - 12	2J21	ISOLATOR, HORN	2004 - 2
1D16	HOUSING, CONVERTER AND DRIVE	0350 - 4	2G11	ISOLATORS, CAB	1810 - 8
1F15	HOUSING, CRANKSHAFT OIL SEAL	0404 - 1	2I11	ISOLATORS, PRESSURIZER HOUSING	1830 - 2
1C5	HOUSING, DIFFERENTIAL	0210 - 22			
1C9	HOUSING, DIFFERENTIAL (DIFFERENTIAL LOCK)	0210 - 26		J	
1C7	HOUSING, DIFFERENTIAL (NO-SPIN)	0210 - 24			
2I10	HOUSING, FRESH AIR	1830 - 1	1F16	JETS, PISTON COOLING	0404 - 2
1D21	HOUSING, GEARBOX	0350 - 10	1F22	JETS, PISTON COOLING	0404 - 8
2H10	HOUSING, MONITOR CONSOLE	1810 - 34	1C13	JOINT, UNIVERSAL	0225 - 2
1I1	HOUSING, OIL COOLER AND FILTER	0419 - 2	1C17	JOINT, UNIVERSAL	0225 - 6
1G6	HOUSING, OIL FILTER (ENGINE)	0407 - 8	1D10	JOINT, UNIVERSAL	0325 - 1
2I11	HOUSING, PRESSURIZER AND ISOLATORS	1830 - 2			
1I16	HOUSING, STARTER DRIVE	0422 - 7		K	
1F1	HOUSING, THERMAL BY-PASS VALVE	0360 - 4			
1H23	HOUSING, THERMOSTAT, FRONT	0418 - 2	2J22	KEY	2005 - 2
1H16	HOUSING, TURBOCHARGER CENTER	0416 - 4	2C24	KEY SWITCH	1674 - 10
1H17	HOUSING, TURBOCHARGER CENTER	0416 - 5	2D8	KEY SWITCH	1674 - 20
1H22	HOUSING, WATER PUMP INLET	0417 - 6	2B7	KIT, AIR CONDITIONER O-RING REPAIR	1330 - 1
2C20	HYDRAULIC FILTER LEAD	1674 - 5	2I19	KIT, AIR CONDITIONING	1830 - 10
2E22	HYDRAULIC FILTER LEAD	1674 - 62	2J3	KIT, COMPRESSOR	1830 - 19
3D9	HYDRAULIC FILTER RESTRICTION SWITCH	3160 - 53	2J4	KIT, COMPRESSOR SHAFT SEAL	1830 - 20
3D9	HYDRAULIC FILTER RETURN HOSE	3160 - 53	1H1	KIT, ELECTRIC SHUT-OFF SOLENOID	0413 - 10
3D9	HYDRAULIC HOSE, BULKHEAD TEE TO FILTER	3160 - 53	1F20	KIT, ENGINE OVERHAUL	0404 - 6
3D10	HYDRAULIC OIL FILTER	3160 - 54	2B16	KIT, FLAT FACE O-RING SEAL	1369 - 8
3D9	HYDRAULIC OIL RETURN FILTER ASSEMBLY	3160 - 53	3C24	KIT, HYDRAULIC PUMP	3160 - 42
1L2	HYDRAULIC PARKING BRAKE, HOSE AND BRACKETS	1115 - 2	2B8	KIT, LOCTITE SERVICE	1330 - 2
3C23	HYDRAULIC PUMP	3160 - 40	2B10	KIT, O-RING	1369 - 2
3D3	HYDRAULIC PUMP HOSES AND FITTINGS	3160 - 46	2B12	KIT, O-RING	1369 - 4
3C24	HYDRAULIC PUMP KIT	3160 - 42	1L5	KIT, PARK BRAKE	1115 - 5
3C7	HYDRAULIC REMOTE CONTROLLER	3160 - 24	1I18	KIT, STARTER SOLENOID COVER	0422 - 9
3D5	HYDRAULIC RESERVOIR	3160 - 48	2E12	KIT, WIRE LEAD	1674 - 50
3D20	HYDRAULIC RESERVOIR	3160 - 64	2E14	KIT, WIRE LEAD	1674 - 52
3D7	HYDRAULIC RESERVOIR FITTINGS	3160 - 50	2F1	KIT, WIRE LEAD	1674 - 66
3D8	HYDRAULIC RESERVOIR TO OIL COOLER	3160 - 52	2F3	KIT, WIRE LEAD	1674 - 68
3C19	HYDRAULICS, BOOM CYLINDER	3160 - 36	2C18	KNOB, TURN SIGNAL	1674 - 3
1K23	HYDRAULICS, BRAKE VALVE	1060 - 4			
3C17	HYDRAULICS, BUCKET CYLINDER TO LOADER CONTROL VALVE	3160 - 34		L	
3C9	HYDRAULICS, SINGLE LEVER REMOTE	3160 - 26	2B4	LABELS AND DECALS	1320 - 2
3C11	HYDRAULICS, THIRD FUNCTION REMOTE	3160 - 28	2B3	LABELS AND DECALS (FRENCH, SPANISH)	1320 - 1
3C9	HYDRAULICS, THREE-LEVER REMOTE	3160 - 26	2C8	LAMP TRACTOR, FRONT AND REAR	1673 - 1
3C9	HYDRAULICS, TWO-LEVER REMOTE	3160 - 26	2C12	LAMP, REAR TURN SIGNAL	1673 - 5
			2C12	LAMP, REAR WARNING	1673 - 5
			2C11	LAMP, TAIL	1673 - 4
			2G23	LATCH, CAB DOOR	1810 - 20
1E11	IDLER GEAR, FOURTH	0350 - 24	2G21	LATCH, CAB DOOR HOLD-OPEN	1810 - 18
2C24	IGNITION SWITCH	1674 - 10	2J10	LATCH, ENGINE SIDE SHIELD	1910 - 2
1H18	IMPELLER, WATER PUMP	0417 - 2	2G25	LATCH, WINDOW HOLD OPEN, RIGHT-HAND	1810 - 22
1G18	INJECTION NOZZLE, FUEL (NIPPONDENSO)	0413 - 2	2C20	LEAD, HYDRAULIC FILTER	1674 - 5
1F11	INJECTION PUMP ACCESS COVER	0402 - 2	2E22	LEAD, HYDRAULIC FILTER	1674 - 62
2E5	INJECTION PUMP HARNESS	1674 - 42	2D6	LEAD, START AID	1674 - 18
3B13	INLET SECTION VALVE WITH RELIEF VALVE	3160 - 4	2E9	LEAD, START AID	1674 - 46
1D19	INPUT SHAFT, HOUSING AND CHARGE PUMP	0350 - 8	2H2	LEFT CONSOLE COVER	1810 - 24
1B10	INPUT YOKE	0210 - 1	2J15	LEFT REAR FENDER	1927 - 2
1G14	INSERTS, VALVE SEAT	0409 - 2	1F3	LEVER, CLUTCH DISCONNECT	0374 - 2
2F20	INSIDE COUNTERWEIGHT	1749 - 1	1D6	LEVER, FRONT AXLE DISCONNECT	0315 - 2
2J18	INSIDE REAR VIEW MIRROR	2002 - 1	1D8	LEVER, FRONT AXLE DISCONNECT	0315 - 4
2H10	INSTRUMENT PANEL	1810 - 34	2B2	LICENSE PLATE BRACKET	1314 - 1
1H11	INTAKE MANIFOLD	0414 - 1	1G13	LIFT STRAPS, ENGINE	0409 - 1
1H12	INTAKE MANIFOLD	0414 - 2	2C10	LIGHT GUARD, FRONT	1673 - 3
1H11	INTAKE MANIFOLD GASKETS	0414 - 1	2C14	LIGHT, DOME	1673 - 7
1H12	INTAKE MANIFOLD GASKETS	0414 - 2			





## ALPHABETICAL INDEX - CONTINUED

GRID		PAGE	GRID		PAGE
	<b>P</b>				
2B18	PACKING, LUBRICANT, CYLINDER LINER	1369 - 10	1H3	PUMP HOUSING CONNECTORS, FUEL INJECTION	0413 - 12
2J22	PADLOCK AND KEY	2005 - 2	3D1	PUMP, BRAKE (CLOSED CENTER)	3160 - 44
1G4	PAN, OIL	0407 - 6	1D19	PUMP, CHARGE	0350 - 8
1G8	PAN, OIL	0407 - 10	1G1	PUMP, ENGINE OIL	0407 - 2
1G10	PAN, OIL	0407 - 12	1G17	PUMP, FUEL INJECTION	0413 - 1
2H21	PAN, SEAT	1821 - 8	1H7	PUMP, FUEL INJECTION	0413 - 16
2J7	PANEL, CAB REAR	1830 - 23	1H8	PUMP, FUEL INJECTION	0413 - 18
2H10	PANEL, DASH	1810 - 34	1G17	PUMP, FUEL TRANSFER	0413 - 1
2H10	PANEL, INSTRUMENT	1810 - 34	1H7	PUMP, FUEL TRANSFER	0413 - 16
1L4	PARK BRAKE CALIPER ASSEMBLY	1115 - 4	1H8	PUMP, FUEL TRANSFER	0413 - 18
1L5	PARK BRAKE REPAIR KIT	1115 - 5	1I9	PUMP, FUEL TRANSFER	0421 - 1
2D8	PARK BRAKE SWITCH	1674 - 20	1I10	PUMP, FUEL TRANSFER	0421 - 2
1L2	PARKING BRAKE, HYDRAULIC	1115 - 2	1H2	PUMP, FUEL TRANSFER (NIPPONDENSO)	0413 - 11
1J12	PEDAL, SPEED CONTROL	0515 - 2	3C23	PUMP, HYDRAULIC	3160 - 40
1K20	PEDALS, BRAKE	1015 - 1	3C24	PUMP, HYDRAULIC KIT	3160 - 42
1J22	PICK-UP, MAGNETIC	0570 - 2	1K2	PUMP, SECONDARY STEERING	0930 - 2
2F14	PICK-UP, MAGNETIC	1676 - 5	1K4	PUMP, SECONDARY STEERING	0930 - 4
3B9	PIN, BELLCRANK TO BOOM	3140 - 4	1H18	PUMP, WATER	0417 - 2
3B9	PIN, BOOM CYLINDER ROD END TO BOOM PIN	3140 - 4	2G7	PUMPS, WINDOW WASHER	1810 - 4
3B10	PIN, BUCKET CYLINDER TO BELLCRANK	3140 - 5	1F12	PUSH RODS	0402 - 3
3B10	PIN, BUCKET LINK TO BELLCRANK	3140 - 5			
2F21	PIN, DRAWBAR	1749 - 2	<b>Q</b>		
2F22	PIN, DRAWBAR	1749 - 3	2G15	QUARTER WINDOW, CAB	1810 - 12
1B22	PIN, PIVOT OSCILLATING DIFFERENTIAL	0210 - 14	1B20	QUILL, INPUT DIFFERENTIAL (FRONT) (DISCONNECT)	0210 - 12
1B14	PINION SHAFT AND RING GEAR (SPIRAL BEVEL) (REAR)	0210 - 5	1B18	QUILL, INPUT DIFFERENTIAL (FRONT) (NO DISCONNECT)	0210 - 10
1B15	PINION SHAFT AND RING GEAR (SPIRAL BEVEL) (FRONT) (DISCONNECT)	0210 - 6	1B16	QUILL, INPUT DIFFERENTIAL (REAR)	0210 - 8
1B13	PINION SHAFT AND RING GEAR (SPIRAL BEVEL) (FRONT) (NO DISCONNECT)	0210 - 4	1C2	QUILLS AND DIFFERENTIAL BEARINGS (STANDARD DIFFERENTIAL)	0210 - 19
3B5	PINS, LOADER BUCKET	3102 - 2	1C4	QUILLS, DIFFERENTIAL BEARINGS (DIFFERENTIAL LOCK)	0210 - 21
1K9	PINS, STEERING CYLINDER	0960 - 6	1C3	QUILLS, DIFFERENTIAL BEARINGS (NO-SPIN)	0210 - 20
1I3	PIPES, FUEL FILTER	0420 - 2			
1G17	PIPES, FUEL INJECTION PUMP LUBE	0413 - 1	<b>R</b>		
1D23	PIPES, OIL SUCTION	0350 - 12	1J10	RADIATOR, FAN SHROUD AND GUARD	0510 - 2
1F16	PISTON COOLING JETS	0404 - 2	1C11	REAR AXLE CAPSCREWS	0210 - 28
1F22	PISTON COOLING JETS	0404 - 8	1C17	REAR AXLE UNIVERSAL	0225 - 6
1F14	PISTON RINGS	0403 - 1	2F18	REAR BOTTOM GUARD	1746 - 1
1K18	PISTON, BRAKE	1011 - 1	2E3	REAR FRAME HARNESS	1674 - 40
1F14	PISTON, ENGINE	0403 - 1	2C13	REAR LIGHT BRACKET	1673 - 6
1B22	PIVOT PIN OSCILLATING DIFFERENTIAL	0210 - 14	2J7	REAR PANEL, CAB	1830 - 23
1C19	PLANET PINION CARRIER	0250 - 2	2H13	REAR SIDE OPENING WINDOW	1810 - 38
1C19	PLANETARY FINAL DRIVE	0250 - 2	2C12	REAR WARNING LAMP	1673 - 5
1E5	PLATE, CONTROL VALVE	0350 - 18	2G15	REAR WINDOW, CAB	1810 - 12
2J10	PLATE, ENGINE SIDE SHIELD	1910 - 2	2H8	REAR WINDSHIELD WIPER	1810 - 32
1K18	PLATES, BRAKE	1011 - 1	2H8	REAR WINDSHIELD WIPER SWITCH	1810 - 32
2I8	PLATFORM, ACCESS AND STEPS	1822 - 3	2H8	REAR WIPER ARM	1810 - 32
1I5	PRE FILTER, FUEL	0420 - 4	2H8	REAR WIPER BLADE	1810 - 32
3D13	PRESSURE REDUCING VALVE	3160 - 57	2I19	RECEIVER DRIER	1830 - 10
3D11	PRESSURE REDUCING VALVE HOSES AND FITTINGS	3160 - 55	2J7	RECIRCULATION FILTER	1830 - 23
3D12	PRESSURE REDUCING VALVE MANIFOLD	3160 - 56	2J7	RECIRCULATION FILTER COVER	1830 - 23
1E3	PRESSURE REGULATOR, CONVERTER	0350 - 16	2J1	REFRIGERANT LINES	1830 - 17
2C25	PRESSURE SWITCH, ENGINE OIL	1674 - 11	2I19	REFRIGERENT LINE WITH SIGHT GLASS	1830 - 10
2I11	PRESSURIZER HOUSING AND ISOLATORS	1830 - 2	2I19	REFRIGERENT LINES	1830 - 10
1K5	PRIORITY VALVE	0960 - 2	1E3	REGULATOR, PRESSURE, CONVERTER	0350 - 16
1K12	PRIORITY VALVE HYDRAULICS	0960 - 10	2E11	RELAYS	1674 - 48
1E24	PROTECTIVE, SLEEVE	0360 - 3	3B13	RELIEF VALVE FOR INLET SECTION VALVE	3160 - 4
2C7	PULLEY (135 AMP)	1672 - 3	3C7	REMOTE CONTROLLER, HYDRAULIC	3160 - 24
2C6	PULLEY (95 AMP)	1672 - 2	3C2	REMOTE CONTROLLER, THREE-LEVER	3160 - 19
1I24	PULLEY FAN DRIVE	0429 - 2	3C1	REMOTE CONTROLLER, TWO-LEVER	3160 - 18
1I25	PULLEY FAN DRIVE	0429 - 3	3C11	REMOTE HYDRAULICS, THIRD FUNCTION	3160 - 28
1J1	PULLEY FAN DRIVE	0429 - 4	1H20	REPAIR KIT, WATER PUMP	0417 - 4
2J2	PULLEY, COMPRESSOR	1830 - 18			
1I23	PULLEY, CRANKSHAFT	0429 - 1			





## ALPHABETICAL INDEX - CONTINUED

<i>GRID</i>	<i>PAGE</i>	<i>GRID</i>	<i>PAGE</i>
1116	STARTER ARMATURE ..... 0422 - 7	1K23	SWITCH, BRAKE LIGHT ..... 1060 - 4
1112	STARTER BRUSH (DELCO-REMY - 37MT) ..... 0422 - 2	1F3	SWITCH, CLUTCH DISCONNECT ..... 0374 - 2
1119	STARTER BRUSH (DELCO-REMY - 37MT) ..... 0422 - 10	2I13	SWITCH, DEFROSTER FAN ..... 1830 - 4
1115	STARTER COIL ..... 0422 - 6	1D3	SWITCH, DIFFERENTIAL LOCK PEDAL ..... 0260 - 4
1114	STARTER COMMUTATOR END FRAME ..... 0422 - 5	2C17	SWITCH, DRIVE, LIGHT ..... 1674 - 2
1116	STARTER DRIVE HOUSING ..... 0422 - 7	2C25	SWITCH, ENGINE OIL PRESSURE ..... 1674 - 11
1J2	STARTER GEAR ..... 0433 - 1	2C19	SWITCH, FLASHER (4-WAY FLASHER) ..... 1674 - 4
1115	STARTER MAIN FRAME ..... 0422 - 6	2H6	SWITCH, FRONT WINDSHIELD WIPER ..... 1810 - 30
1118	STARTER SOLENOID COVER KIT ..... 0422 - 9	2D2	SWITCH, HORN ..... 1674 - 13
1117	STARTER SOLENOID SWITCH ..... 0422 - 8	2D7	SWITCH, HORN ..... 1674 - 19
1J6	STARTING AID, COLD WEATHER ..... 0505 - 1	3D9	SWITCH, HYDRAULIC FILTER RESTRICTION ..... 3160 - 53
1111	STARTING MOTOR ..... 0422 - 1	2C24	SWITCH, KEY ..... 1674 - 10
1K15	STEERING COLUMN ..... 0960 - 14	2D8	SWITCH, KEY ..... 1674 - 20
2D10	STEERING COLUMN HARNESS ..... 1674 - 22	1K23	SWITCH, LOW BRAKE PRESSURE ..... 1060 - 4
1K15	STEERING COLUMN LINKAGE ..... 0960 - 14	1E7	SWITCH, NEUTRAL LOCK ..... 0350 - 20
2F17	STEERING CUSHION ..... 1740 - 3	1E9	SWITCH, NEUTRAL LOCK ..... 0350 - 22
1K10	STEERING CYLINDER ..... 0960 - 8	1E7	SWITCH, NEUTRAL SAFETY ..... 0350 - 20
1K11	STEERING CYLINDER ..... 0960 - 9	2D8	SWITCH, PARK BRAKE ..... 1674 - 20
2B20	STEERING CYLINDER HEAD END LUBRICATION SYSTEM ..... 1370 - 1	2H8	SWITCH, REAR WINDSHIELD WIPER ..... 1810 - 32
1K14	STEERING CYLINDER HYDRAULICS ..... 0960 - 12	3D16	SWITCH, RETURN-TO-DIG ..... 3160 - 60
1K9	STEERING CYLINDER PINS ..... 0960 - 6	3D22	SWITCH, RETURN-TO-DIG ..... 3160 - 66
2D16	STEERING HARNESS, SECONDARY ..... 1674 - 28	1E7	SWITCH, REVERSE WARNING ..... 0350 - 20
1K4	STEERING PUMP, SECONDARY ..... 0930 - 4	1E9	SWITCH, REVERSE WARNING ..... 0350 - 22
1K7	STEERING VALVE ..... 0960 - 4	1K2	SWITCH, SECONDARY STEERING ..... 0930 - 2
3D15	STEERING VALVE RETURN HOSE ..... 3160 - 59	2D7	SWITCH, SHIFT SELECTOR ..... 1674 - 19
1K15	STEERING WHEEL ..... 0960 - 14	1I17	SWITCH, STARTER SOLENOID ..... 0422 - 8
1K2	STEERING, SECONDARY ..... 0930 - 2	2D1	SWITCH, TRANSMISSION OIL PRESSURE ..... 1674 - 12
1B2	STEM ..... 0110 - 1	2C18	SWITCH, TURN SIGNAL ..... 1674 - 3
1B3	STEM ..... 0110 - 2	2D7	SWITCH, TURN SIGNAL ..... 1674 - 19
1B4	STEM ..... 0110 - 3	2C16	SWITCH, WORK LIGHT ..... 1674 - 1
1B6	STEM ..... 0110 - 5		
1B6	STEM, VALVE ..... 0110 - 5		T
2I6	STEP, ENGINE COMPARTMENT ..... 1822 - 1	2C11	TAIL LAMP ..... 1673 - 4
2I7	STEP, ENGINE COMPARTMENT ..... 1822 - 2	2C11	TAIL LAMP BULB ..... 1673 - 4
2I8	STEPS ..... 1822 - 3	2C13	TAIL LIGHT BRACKET ..... 1673 - 6
2I9	STEPS WITHOUT PLATFORM ..... 1822 - 4	1J20	TANK, FUEL ..... 0560 - 2
2C11	STOP LAMP ..... 1673 - 4	2G7	TANK, WINDOW WASHER ..... 1810 - 4
2C11	STOP LAMP BULB ..... 1673 - 4	3B5	TEETH, LOADER BUCKET ..... 3102 - 2
2C13	STOP LIGHT BRACKET ..... 1673 - 6	2I13	TEMPERATURE CONTROL ..... 1830 - 4
1C18	STOP, AXLE ..... 0240 - 2	2D22	TEMPERATURE CONTROL HARNESS ..... 1674 - 34
2F17	STOP, RUBBER BUMPER ..... 1740 - 3	2I15	TEMPERATURE CONTROL HARNESS ..... 1830 - 6
2G6	STORAGE COMPARTMENT DOOR ..... 1810 - 3	2D3	TEMPERATURE SENDER ..... 1674 - 14
1I21	STRAP, ALTERNATOR ADJUSTING ..... 0423 - 2	2D4	TEMPERATURE SENDER, TRANSMISSION OIL ..... 1674 - 15
2D5	STRAP, CAB GROUND (-) ..... 1674 - 17	2F13	TEMPERATURE SWITCH SENSOR ..... 1676 - 4
2E21	STRAP, CAB GROUND (-) ..... 1674 - 60	2E20	TERMINALS, AUTO FUSE ..... 1674 - 58
2C5	STRAP, GROUND (DUAL) ..... 1671 - 2	2F9	TERMINALS, AUTO FUSE ..... 1674 - 74
2C4	STRAP, GROUND (SINGLE) ..... 1671 - 1	2E19	TERMINALS, DEUTSCH ..... 1674 - 57
2H20	STRAP, TETHER ..... 1821 - 7	2F8	TERMINALS, DEUTSCH ..... 1674 - 73
1G13	STRAPS, ENGINE LIFT ..... 0409 - 1	2E18	TERMINALS, SUPPLEMENTARY ..... 1674 - 56
3D5	SUCTION FILTER ..... 3160 - 48	2F7	TERMINALS, SUPPLEMENTARY ..... 1674 - 72
1D23	SUCTION, OIL, PIPES ..... 0350 - 12	2E16	TERMINALS, WEATHERPACK ..... 1674 - 54
2E18	SUPPLEMENTARY TERMINALS, CONNECTORS AND REPAIR CONDUIT ..... 1674 - 56	2F5	TERMINALS, WEATHERPACK ..... 1674 - 70
2F7	SUPPLEMENTARY TERMINALS, CONNECTORS AND REPAIR CONDUIT ..... 1674 - 72	2H20	TETHER STRAP ..... 1821 - 7
1I21	SUPPORT, ALTERNATOR ..... 0423 - 2	1E24	THERMAL BY-PASS VALVE ..... 0360 - 3
1B22	SUPPORT, OSCILLATING DIFFERENTIAL ..... 0210 - 14	1F1	THERMAL BY-PASS VALVE ..... 0360 - 4
3D16	SUPPORT, RETURN-TO-DIG ..... 3160 - 60	1F1	THERMOSTAT ..... 0360 - 4
3D22	SUPPORT, RETURN-TO-DIG ..... 3160 - 66	1H23	THERMOSTAT HOUSING, FRONT ..... 0418 - 2
1C11	SUPPORTS, DIFFERENTIAL ..... 0210 - 28	1E17	THIRD AND FOURTH GEAR ..... 0350 - 30
2I1	SUSPENSION SEAT, SCISSORS ARMS WITH SHAFTS ..... 1821 - 12	3C21	THIRD FUNCTION AUXILIARY HYDRAULICS ..... 3160 - 38
2C21	SWITCH, AIR CONDITIONING SHUTOFF ..... 1674 - 6	3C11	THIRD FUNCTION REMOTE HYDRAULICS ..... 3160 - 28
2I13	SWITCH, BLOWER FAN ..... 1830 - 4	3C2	THREE-LEVER REMOTE CONTROLLER ..... 3160 - 19
3D17	SWITCH, BOOM KICKOUT ..... 3160 - 61	3C9	THREE-LEVER REMOTE HYDRAULICS ..... 3160 - 26
3D23	SWITCH, BOOM KICKOUT ..... 3160 - 67	1F9	THRUST BEARING ..... 0401 - 2
		1F11	TIMING GEAR COVER ..... 0402 - 2
		1F11	TIMING GEAR COVER GASKET ..... 0402 - 2

# 1A23

LX150 LOADER

## ALPHABETICAL INDEX - CONTINUED

GRID		PAGE	GRID		PAGE
1D18	TORQUE CONVERTER .....	0350 - 6	1G6	VALVE, OIL PRESSURE REGULATING (ENGINE) .....	0407 - 8
2H23	TRACK, SEAT SLIDE .....	1821 - 10	3D13	VALVE, PRESSURE REDUCING .....	3160 - 57
1I9	TRANSFER PUMP, FUEL .....	0421 - 1	3D12	VALVE, PRESSURE REDUCING MANIFOLD .....	3160 - 56
1I10	TRANSFER PUMP, FUEL .....	0421 - 2	1K5	VALVE, PRIORITY .....	0960 - 2
1H2	TRANSFER PUMP, FUEL (NIPPONDENSO) .....	0413 - 11	3D12	VALVE, SOLENOID .....	3160 - 56
1D14	TRANSMISSION .....	0350 - 2	3D14	VALVE, SOLENOID .....	3160 - 58
1E7	TRANSMISSION CONTROL VALVE .....	0350 - 20	1K7	VALVE, STEERING .....	0960 - 4
1E24	TRANSMISSION COOLER HYDRAULICS .....	0360 - 3	1E24	VALVE, THERMAL BY-PASS .....	0360 - 3
1E21	TRANSMISSION FILTER .....	0350 - 34	1F1	VALVE, THERMAL BY-PASS .....	0360 - 4
2D24	TRANSMISSION HARNESS .....	1674 - 36	3B21	VALVE, UNIVERSAL RELIEF, BUCKET AND AUXILIARY SECTION .....	3160 - 12
1D12	TRANSMISSION MOUNTING BRACKETS .....	0342 - 2	1G14	VALVES, EXHAUST .....	0409 - 2
1E23	TRANSMISSION OIL COOLER .....	0360 - 1	1G14	VALVES, INTAKE .....	0409 - 2
2D1	TRANSMISSION OIL PRESSURE SWITCH .....	1674 - 12	2H12	VANDAL COVER .....	1810 - 36
2D4	TRANSMISSION OIL TEMPERATURE SENDER .....	1674 - 15	2B6	VEHICLE EMBLEM, SLOW MOVING .....	1320 - 4
2J11	TRANSMISSION SHIELDS .....	1913 - 1		<b>W</b>	
1C17	TRANSMISSION TO REAR AXLE UNIVERSAL .....	0225 - 6	2C9	WARNING LIGHT, FRONT .....	1673 - 2
1D10	TRANSMISSION UNIVERSAL JOINT, ENGINE .....	0325 - 1	1H23	WATER MANIFOLD GASKET .....	0418 - 2
1E9	TRANSMISSION, CONTROL VALVE .....	0350 - 22	1H23	WATER MANIFOLD, FRONT .....	0418 - 2
1F24	TUBE, ENGINE OIL DIPSTICK .....	0407 - 1	1H18	WATER PUMP .....	0417 - 2
1E1	TUBE, FILLER AND DIPSTICK .....	0350 - 14	1H18	WATER PUMP BEARING .....	0417 - 2
3D3	TUBE, RESERVOIR TO PUMP .....	3160 - 46	1H18	WATER PUMP GASKET .....	0417 - 2
1H14	TURBOCHARGER .....	0416 - 2	1H18	WATER PUMP IMPELLER .....	0417 - 2
1H16	TURBOCHARGER CENTER HOUSING .....	0416 - 4	1H22	WATER PUMP INLET HOUSING .....	0417 - 6
1H17	TURBOCHARGER CENTER HOUSING .....	0416 - 5	1H22	WATER PUMP INLET HOUSING GASKET .....	0417 - 6
1H14	TURBOCHARGER GASKET .....	0416 - 2	1H20	WATER PUMP REPAIR KIT .....	0417 - 4
1H14	TURBOCHARGER OIL LINES .....	0416 - 2	1H18	WATER PUMP SEAL .....	0417 - 2
2C12	TURN SIGNAL LAMP, REAR .....	1673 - 5	3B4	WEAR PLATES, AUXILIARY .....	3102 - 1
2C9	TURN SIGNAL LIGHT, FRONT .....	1673 - 2	2E16	WEATHERPACK TERMINALS AND CONNECTORS .....	1674 - 54
2C18	TURN SIGNAL SWITCH .....	1674 - 3	2F5	WEATHERPACK TERMINALS AND CONNECTORS .....	1674 - 70
2D7	TURN SIGNAL SWITCH .....	1674 - 19	1H18	WEEP HOLE FILTER (WATER PUMP) .....	0417 - 2
3C1	TWO-LEVER REMOTE CONTROLLER .....	3160 - 18	2I3	WEIGHT ADJUSTER, SEAT .....	1821 - 14
3C9	TWO-LEVER REMOTE HYDRAULICS .....	3160 - 26	1B2	WHEEL ASSEMBLY .....	0110 - 1
	<b>U</b>		1B3	WHEEL ASSEMBLY .....	0110 - 2
1C13	UNIVERSAL JOINT .....	0225 - 2	1B4	WHEEL ASSEMBLY .....	0110 - 3
1C15	UNIVERSAL JOINT .....	0225 - 4	1B5	WHEEL ASSEMBLY .....	0110 - 4
1C17	UNIVERSAL JOINT .....	0225 - 6	1B6	WHEEL ASSEMBLY .....	0110 - 5
1D10	UNIVERSAL JOINT .....	0325 - 1	1K15	WHEEL, STEERING .....	0960 - 14
3B21	UNIVERSAL RELIEF VALVE BUCKET AND AUXILIARY SECTION .....	3160 - 12	2G17	WINDOW FRAME, CAB (RIGHT SIDE) .....	1810 - 14
	<b>V</b>		2G25	WINDOW HOLD OPEN LATCH, RIGHT-HAND .....	1810 - 22
1F13	VALVE COVER (6076) .....	0402 - 4	2G7	WINDOW WASHER CAP .....	1810 - 4
1K12	VALVE HYDRAULICS, PRIORITY .....	0960 - 10	2G7	WINDOW WASHER PUMPS .....	1810 - 4
1G14	VALVE SEAT INSERTS .....	0409 - 2	2G7	WINDOW WASHER TANK .....	1810 - 4
2B18	VALVE STEM LUBRICANT, ENGINE .....	1369 - 10	2G7	WINDOW WASHER, FRONT AND REAR .....	1810 - 4
3B17	VALVE, ANTI-CAVITY, BOOM SECTION .....	3160 - 8	2G15	WINDOWS, CAB .....	1810 - 12
3B23	VALVE, AUXILIARY SECTION .....	3160 - 14	2H13	WINDOWS, REAR SIDE OPENING .....	1810 - 38
3B15	VALVE, BOOM SECTION .....	3160 - 6	2G15	WINDSHIELD, CAB .....	1810 - 12
1K21	VALVE, BRAKE .....	1060 - 2	2H6	WIPER, FRONT WINDSHIELD .....	1810 - 30
1K23	VALVE, BRAKE, HYDRAULICS .....	1060 - 4	2H8	WIPER, REAR WINDSHIELD .....	1810 - 32
3B19	VALVE, BUCKET SECTION .....	3160 - 10	2E12	WIRE LEAD KIT .....	1674 - 50
1K2	VALVE, CHECK .....	0930 - 2	2E14	WIRE LEAD KIT .....	1674 - 52
1E7	VALVE, CONTROL .....	0350 - 20	2F1	WIRE LEAD KIT .....	1674 - 66
1E9	VALVE, CONTROL .....	0350 - 22	2F3	WIRE LEAD KIT .....	1674 - 68
2I23	VALVE, EXPANSION, AIR CONDITIONING .....	1830 - 14	2E1	WIRING HARNESS, AIR CONDITIONER COMPRESSOR .....	1674 - 38
1I3	VALVE, FUEL CHECK .....	0420 - 2	2D5	WIRING HARNESS, CAB GROUND (-) STRAP .....	1674 - 17
1I7	VALVE, FUEL CHECK .....	0420 - 6	2E21	WIRING HARNESS, CAB GROUND (-) STRAP .....	1674 - 60
3B13	VALVE, INLET SECTION WITH RELIEF VALVE .....	3160 - 4	2E7	WIRING HARNESS, ENGINE FRAME .....	1674 - 44
3B11	VALVE, LOADER CONTROL (2 OR 3-SPOOL) .....	3160 - 2	2E5	WIRING HARNESS, INJECTION PUMP .....	1674 - 42
1I1	VALVE, OIL FILTER BYPASS .....	0419 - 2	2D14	WIRING HARNESS, LOADER FRAME .....	1674 - 26
1I1	VALVE, OIL PRESSURE REGULATING .....	0419 - 2	2E3	WIRING HARNESS, REAR FRAME .....	1674 - 40
			2D16	WIRING HARNESS, SECONDARY STEERING .....	1674 - 28

# 1A24

LX150 LOADER

## ALPHABETICAL INDEX - CONTINUED

<i>GRID</i>		<i>PAGE</i>	<i>GRID</i>	<i>PAGE</i>
2D6	WIRING HARNESS, START AID LEAD .....	1674 - 18		
2D22	WIRING HARNESS, TEMPERATURE CONTROL .....	1674 - 34		
2I15	WIRING HARNESS, TEMPERATURE CONTROL .....	1830 - 6		
2D24	WIRING HARNESS, TRANSMISSION .....	1674 - 36		
2E24	WIRING HARNESS, WORK LIGHT (CAB) .....	1674 - 64		
2D18	WIRING HARNESS, WORK LIGHT, CAB .....	1674 - 30		
2D20	WIRING HARNESS, WORK LIGHT, CANOPY .....	1674 - 32		
2C20	WIRING LEAD, HYDRAULIC FILTER .....	1674 - 5		
2E22	WIRING LEAD, HYDRAULIC FILTER .....	1674 - 62		
2C15	WORK LAMP, FRONT AND REAR .....	1673 - 8		
2D20	WORK LIGHT HARNESS, CANOPY .....	1674 - 32		
2E25	WORK LIGHT HARNESS, CANOPY .....	1674 - 65		
2C16	WORK LIGHT SWITCH .....	1674 - 1		
Y				
1B11	YOKE DISCONNECT .....	0210 - 2		
1B10	YOKE, INPUT .....	0210 - 1		



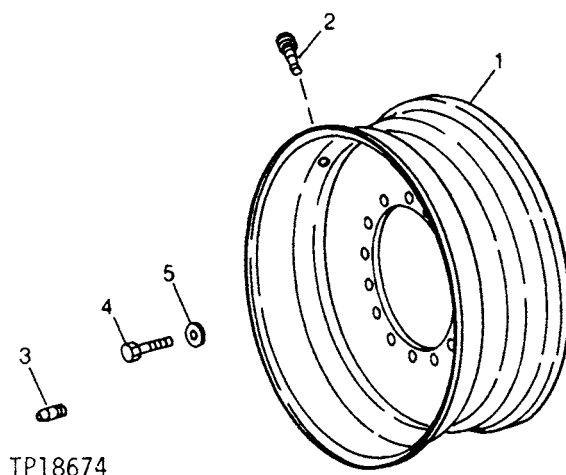
# 1B02

WHEELS 1

POWERED WHEELS AND FASTENINGS 0110

## WHEEL ASSEMBLY

TP18674



KEY	PART NO.	PART NAME	QTY	SERIAL NO.	REMARKS
1	AT102171	WHEEL	1		(229 MM X 610 MM (9" X 24") RIM) (356 MM X 610 MM (14" X 24") TIRE)
2	AT25226	STEM	1		
3	T108443	STUD	3		(USED ON WHEEL STUDS FOR TIRE AND RIM REPLACEMENT)
4	19H2431	CAP SCREW	14		3/4" X 2-1/4"
5	T134960	WASHER	14		

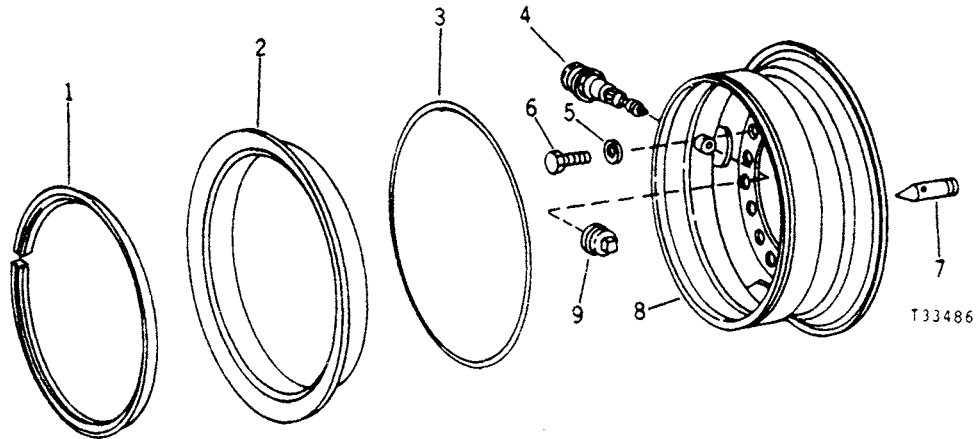
# 1B03

WHEELS 1

POWERED WHEELS AND FASTENINGS 0110

## WHEEL ASSEMBLY

T33486



KEY	PART NO.	PART NAME	QTY	SERIAL NO.	REMARKS
1	T27194	WHEEL RING	1		LOCK (INCLUDES LOCKING TAB)
2	T27532	WHEEL RING	1		SIDE
3	T59933	O-RING	1		PACKING
4	AT25226	STEM	1		
5	T134960	WASHER	14		
6	19H3158	CAP SCREW	14		3/4" X 2"
7	T108443	STUD	3		(USED ON WHEEL STUDS FOR TIRE AND RIM REPLACEMENT)
8	AT143187	WHEEL	1		(432 MM X 635 MM (17" X 25") RIM) (521 MM X 635 MM (20.5" X 25") TIRE) (WITH VALVE STEM SHIELD) (ALSO ORDER 15H688)
9	15H688	FITTING	1		1-1/2", VALVE STEM SHIELD

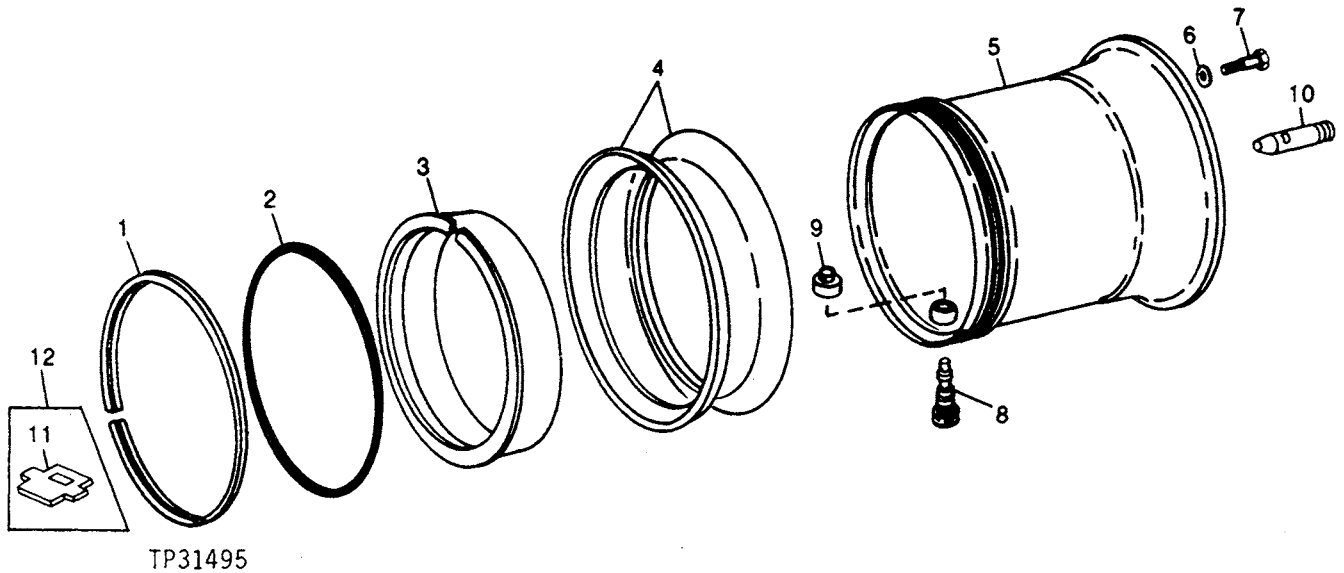
# 1B04

WHEELS 1

POWERED WHEELS AND FASTENINGS 0110

## WHEEL ASSEMBLY

TP31495



KEY	PART NO.	PART NAME	QTY	SERIAL NO.	REMARKS
1	R29479	WHEEL RING	1		LOCK (INCLUDES LOCKING TAB)
2	R29480	O-RING	1		PACKING
3	U43961	WHEEL RING	1		BEAD SEAT (ALSO ORDER AT140358)
4	R29477	WHEEL RING	2		SIDE
5	AT129545	WHEEL	1		(ALSO ORDER 15H688) (495 MM X 635 MM (19.5" X 25") RIM) (FOR 597 MM X 635 MM (23.5" X 25") TIRES)
6	T134960	WASHER	14		
7	19H3158	CAP SCREW	14		3/4" X 2"
8	AT36212	TIRE VALVE STEM	1		
9	15H688	FITTING	1		1-1/2"
10	T108443	STUD	3		(NOT ILLUSTRATED) (USED ON WHEEL STUDS FOR TIRE AND RIM REPLACEMENT)
11	T55260	DRIVER	1		
12	<b>AT140358</b>	<b>KIT</b>	<b>1</b>		<b>WHEEL DRIVER LOCK</b>



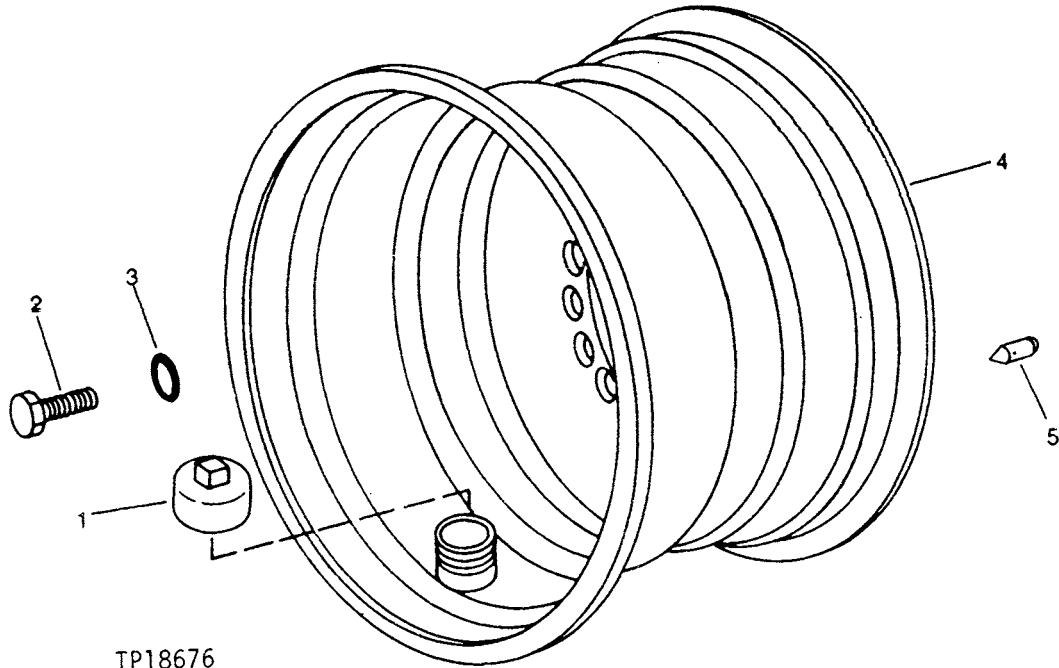
# 1B05

WHEELS 1

POWERED WHEELS AND FASTENINGS 0110

## WHEEL ASSEMBLY

TP18676



TP18676

KEY	PART NO.	PART NAME	QTY	SERIAL NO.	REMARKS
1	15H8	FITTING	1		2"
2	19H3158	CAP SCREW	14		3/4" X 2"
3	T134960	WASHER	14		
4	AT103559	WHEEL	1		(635 MM X 660 MM (25" X 26") RIM) (FOR 711 MM X 660 MM (28" X 26") TIRES)
5	T108443	STUD	3		(USE FOR TIRE AND RIM REPLACEMENT)

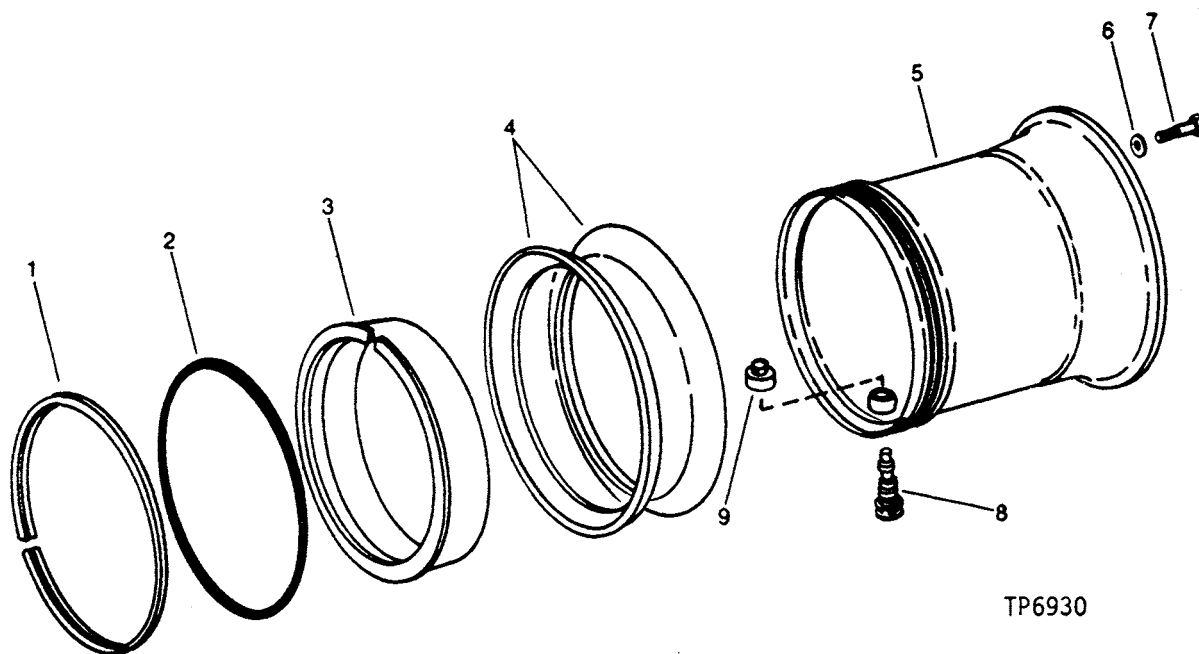
# 1B06

WHEELS 1

POWERED WHEELS AND FASTENINGS 0110

## WHEEL ASSEMBLY

TP6930



TP6930

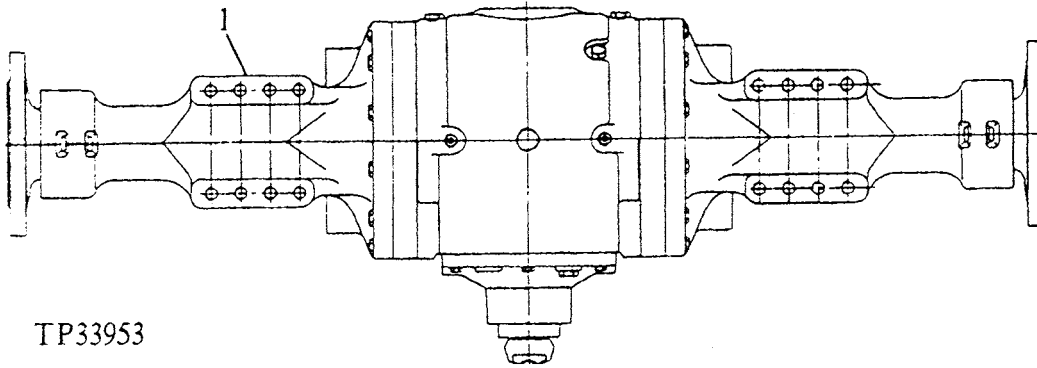
KEY	PART NO.	PART NAME	QTY	SERIAL NO.	REMARKS
1	R29479	WHEEL RING	1		LOCK
2	R29480	O-RING	1		PACKING
3	U43961	WHEEL RING	1		BEAD SEAT
4	R29477	WHEEL RING	2		SIDE
5	AT133211	WHEEL	1		(19.5 X 25 WHEEL) (84 OFFSET) (USE WITH 23.5 X 25 TIRES)
6	T134960	WASHER	14		
7	19H1768	CAP SCREW	14		3/4" X 2"
8	AT36212	TIRE VALVE STEM	1		
9	15H688	FITTING	1		1-1/2"
10	T108443	STUD	3		(USED ON WHEEL STUDS FOR TIRE AND RIM REPLACEMENT)

**MEMORANDA**

# 1B09

## AXLES

TP33953



TP33953

KEY	PART NO.	PART NAME	QTY	SERIAL NO.	REMARKS
1	RE50855	AXLE, WITH DIFFERENTIAL	1		FRONT, ROAG251, STD DIFF, NON-OSC
	RE50861	AXLE, WITH DIFFERENTIAL	1		REAR, ROAG251, STD DIFF, OSC
	RE50856	AXLE, WITH DIFFERENTIAL	1		FRONT, ROAG251, DIFF LOCK, NON-OSC
	RE50859	AXLE, WITH DIFFERENTIAL	1		FRONT, ROAG251, DIFF LOCK, NON-OSC, DISC
	RE50857	AXLE, WITH DIFFERENTIAL	1		FRONT, ROAG251, NO SPIN, NON-OSC
	RE50862	AXLE, WITH DIFFERENTIAL	1		REAR, ROAG251, DIFF LOCK, OSC
	RE50859	AXLE, WITH DIFFERENTIAL	1		FRONT, ROAG251, DIFF LOCK, NON-OSC, DISC

**MEMORANDA**

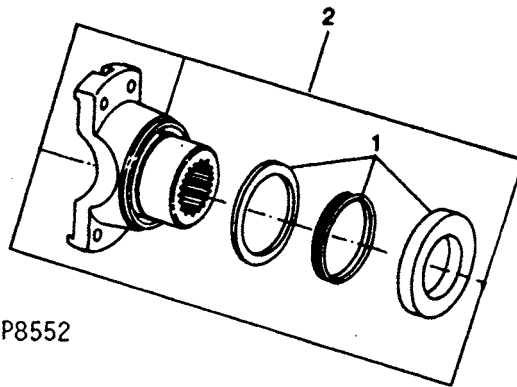
# 1B10

AXLES AND SUSPENSION SYSTEMS 2

DIFFERENTIAL OR BEVEL DRIVE 0210

INPUT YOKE  
(FRONT AND REAR)  
(RE35714) (OC-1)  
(NO DISCONNECT)

RXP8552



RXP8552

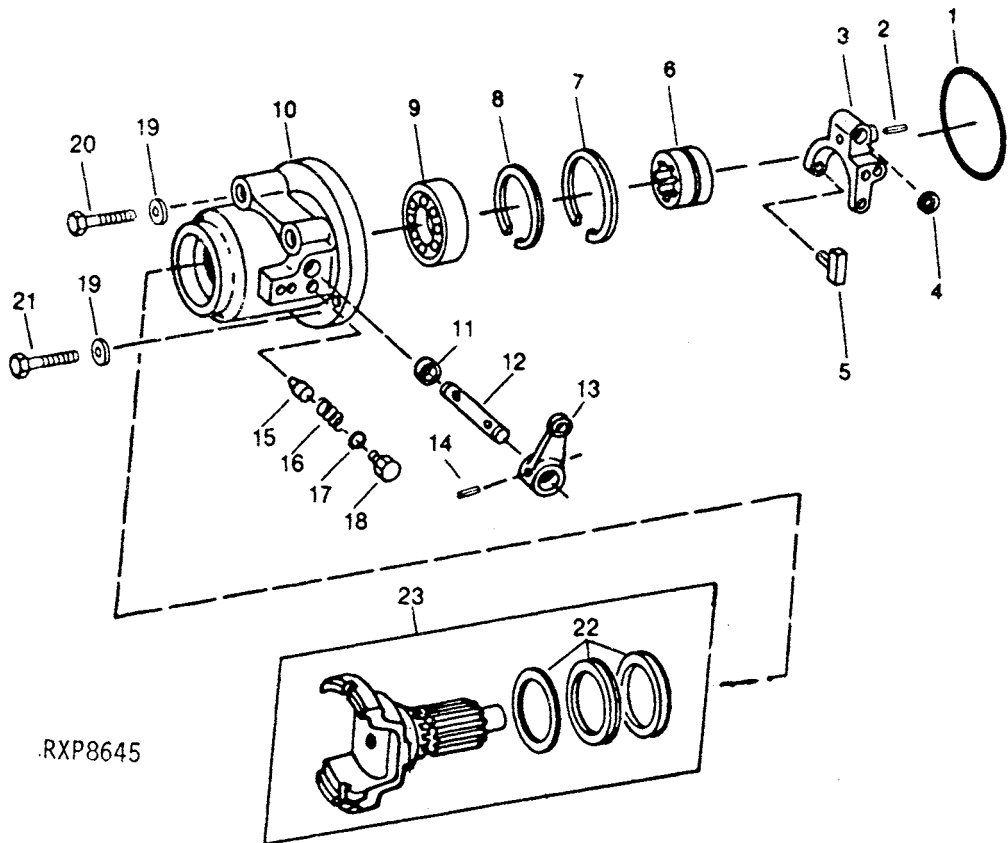
KEY	PART NO.	PART NAME	QTY	AXLE SERIAL NO.	REMARKS
1	RE45315	SEAL KIT	1		
	RE45317	KIT	1		



# 1B11

## YOKE DISCONNECT (RE37967) (OC-A) (FRONT)

RXP8645



# 1B12

AXLES AND SUSPENSION SYSTEMS 2

## YOKE DISCONNECT - CONTINUED (RE37967) (OC-A) (FRONT)

DIFFERENTIAL OR BEVEL DRIVE 0210

KEY	PART NO.	PART NAME	QTY	AXLE SERIAL NO.	REMARKS
1	T80622	O-RING	1		
2	M81896	SPRING PIN	1		
3	R88598	YOKE	1		
4	R74372	WASHER	2		
5	T21841	SHOE	2		
6	R116088	LEVER	1		
7	C19243	SNAP RING	1		
8	40M7178	SNAP RING	1		
9	JD9320	BALL BEARING	1		
10	R88606	HOUSING	1		
11	AT12820	SEAL	1		
12	R88599	SHAFT	1		
13	R88600	LEVER	1		
14	M81896	SPRING PIN	1		
15	R42697	DETENT	1		
16	R33277	SPRING	1		
17	R26448	O-RING	1		
18	R45010	FITTING	1		
19	R47172	WASHER	6		
20	19M7943	CAP SCREW	2		M12 X 90
21	19M7361	CAP SCREW	4		
22	RE45315	SEAL KIT	1		
23	RE45319	KIT	1		

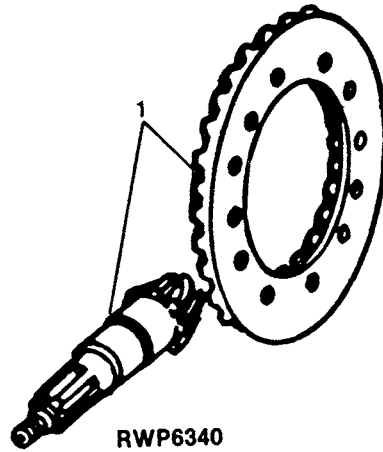
# 1B13

AXLES AND SUSPENSION SYSTEMS 2

**SPIRAL BEVEL INPUT PINION AND RING GEAR SET  
(RE35711) (OC-3)  
(FRONT) (NO DISCONNECT)**

DIFFERENTIAL OR BEVEL DRIVE 0210

RWP6340



KEY	PART NO.	PART NAME	QTY	AXLE SERIAL NO.	REMARKS
1	RE32540	GEAR	1		L.H. ASSEMBLY, (MARKED R80048 AND R92802) (ALSO ORDER RE50114)

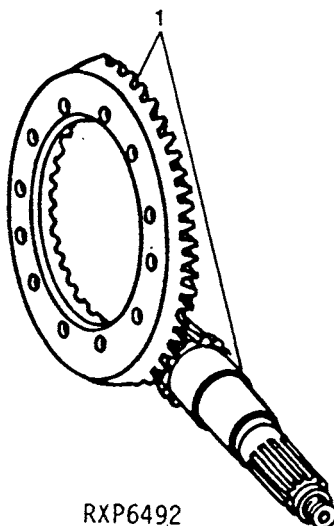
# 1B14

AXLES AND SUSPENSION SYSTEMS 2

## SPIRAL BEVEL INPUT PINION AND RING GEAR SET (RE35712) (OC-3) (REAR)

DIFFERENTIAL OR BEVEL DRIVE 0210

RXP6492



RXP6492

KEY	PART NO.	PART NAME	QTY	AXLE SERIAL NO.	REMARKS
1	RE32539	GEAR	1		R.H. ASSEMBLY, (MARKED R56289 AND R92801) (ALSO ORDER RE50114)

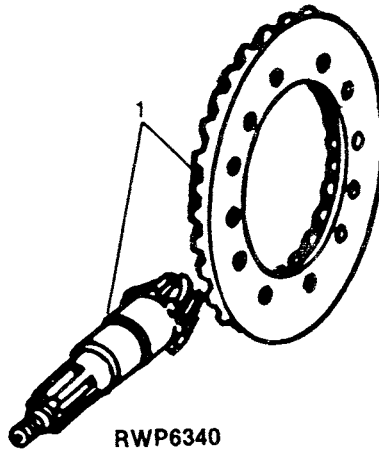
# 1B15

AXLES AND SUSPENSION SYSTEMS 2

## SPIRAL BEVEL INPUT PINION AND RING GEAR SET (RE50967) (OC-3) (FRONT) (DISCONNECT)

DIFFERENTIAL OR BEVEL DRIVE 0210

RWP6340



KEY	PART NO.	PART NAME	QTY	AXLE SERIAL NO.	REMARKS
1	RE51807	GEAR	1		L.H. ASSEMBLY, (MARKED R115187 AND R92802) (ALSO ORDER RE50115)

---

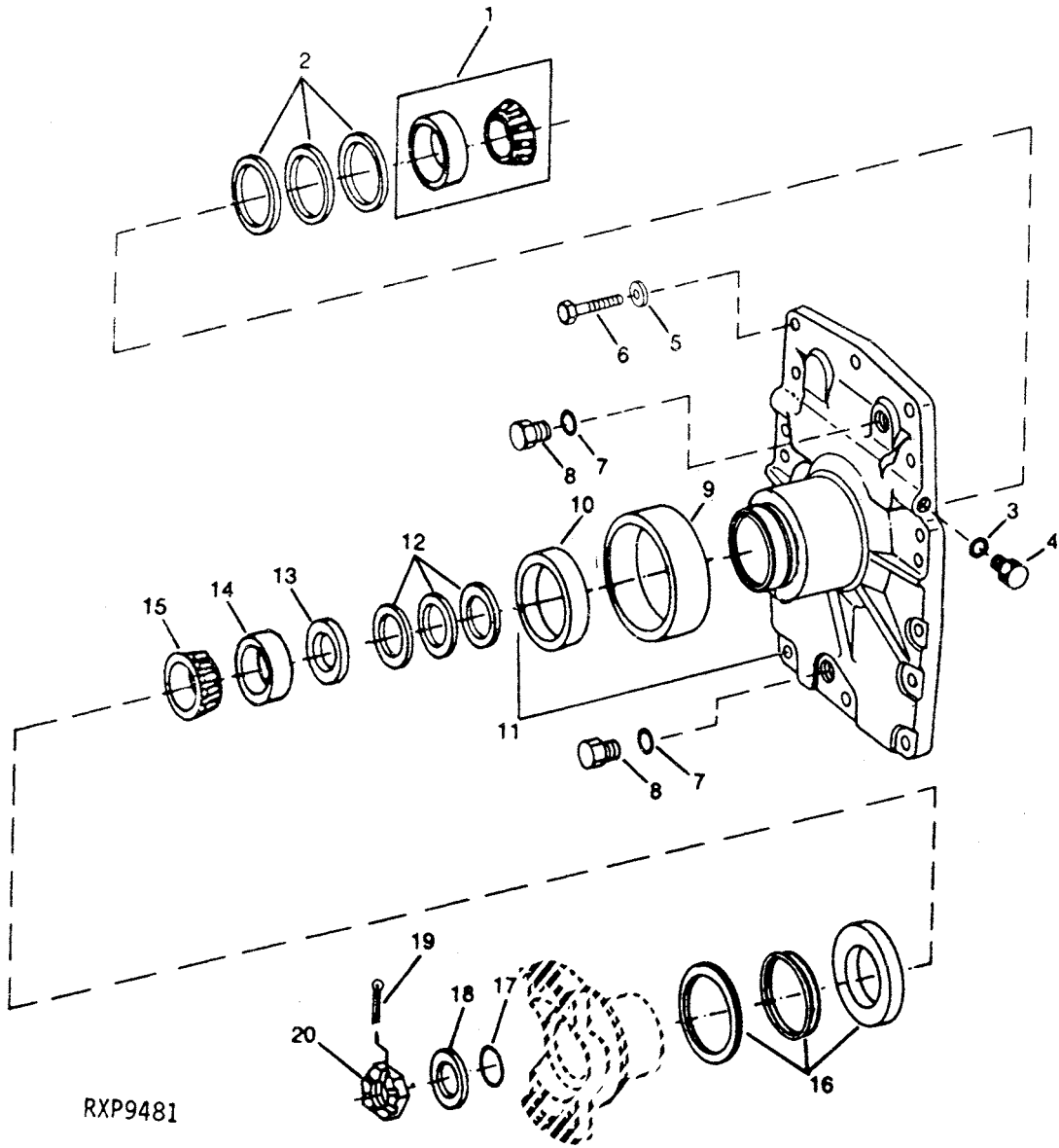
**MEMORANDA**



# 1B16

## INPUT QUILL ASSEMBLY (RE39002) (OC-1) (REAR)

RXP9481



RXP9481

# 1B17

AXLES AND SUSPENSION SYSTEMS 2

DIFFERENTIAL OR BEVEL DRIVE 0210

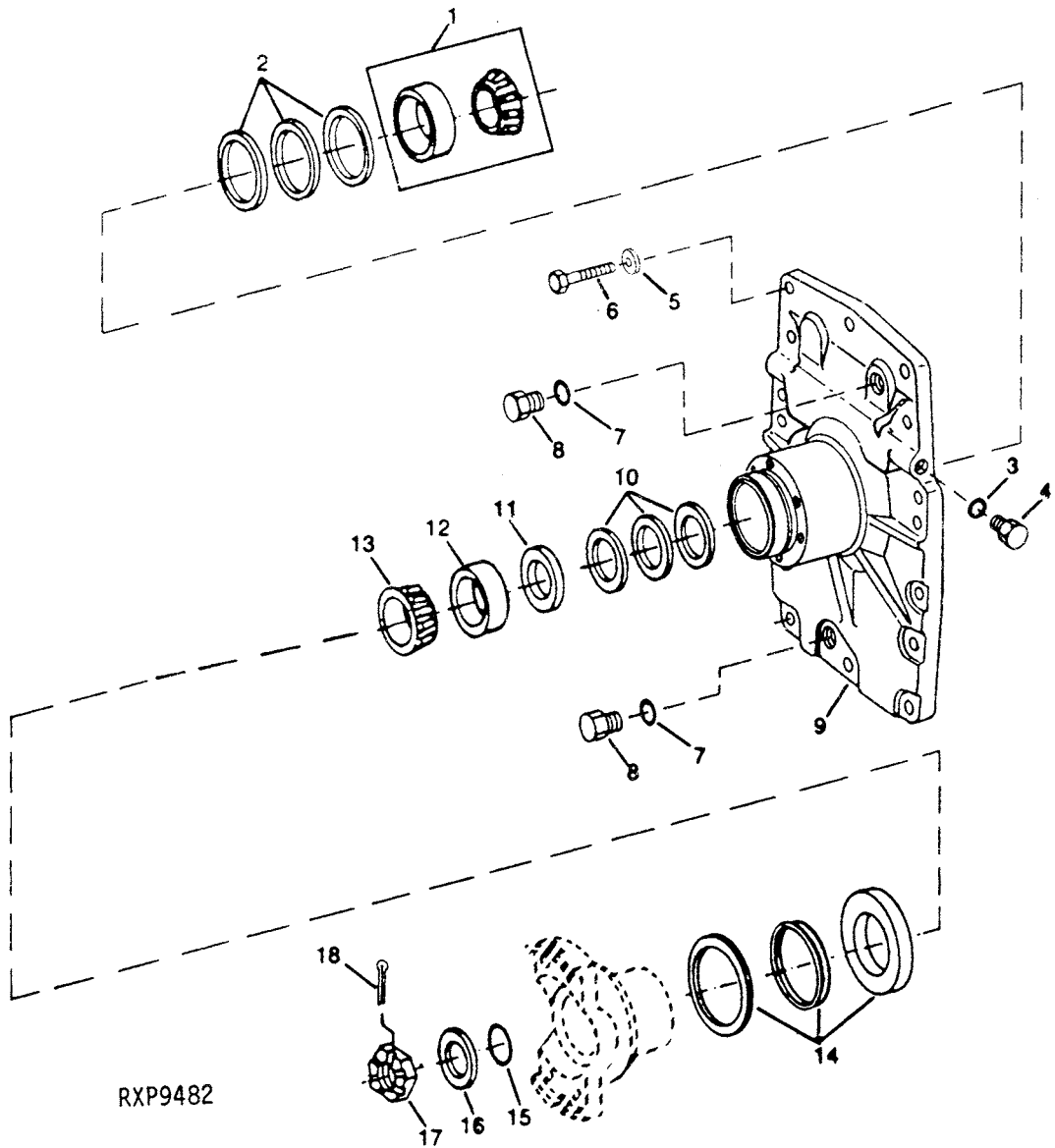
## INPUT QUILL ASSEMBLY - CONTINUED (RE39002) (OC-1) (REAR)

KEY	PART NO.	PART NAME	QTY	AXLE SERIAL NO.	REMARKS
1	RE49486	ROLLER BEARING	1		
2	R35365	SHIM	AR		
	R35366	SHIM	AR		
	R35367	SHIM	AR		
3	R26448	O-RING	2		
4	R27218	FITTING PLUG	2		
5	R73290	WASHER	14		
6	19M7409	CAP SCREW	14		M16 X 50
7	F3171R	O-RING	2		
8	R27175	PIPE PLUG	2		
9	R70452	SLEEVE	1		
10	R70453	SLEEVE	1		
11	RE39026	COVER	1		
12	R51196	SHIM	AR		
	R51197	SHIM	AR		
	R51198	SHIM	AR		
	R51199	SHIM	AR		
13	R56308	WASHER	1		
14	JD8255	BEARING CUP	1		
15	JD9078	BEARING CONE	1		
16	RE45315	SEAL KIT	1		
17	A4540R	O-RING	1		
18	R48733	WASHER	AR		
	R48734	WASHER	AR		
	R48735	WASHER	AR		
19	11M7032	COTTER PIN	1		5 X 50 MM
20	R48776	NUT	1		

# 1B18

## INPUT QUILL ASSEMBLY (RE39003) (OC-1) (FRONT) (NO DISCONNECT)

RXP9482



RXP9482

# 1B19

AXLES AND SUSPENSION SYSTEMS 2

DIFFERENTIAL OR BEVEL DRIVE 0210

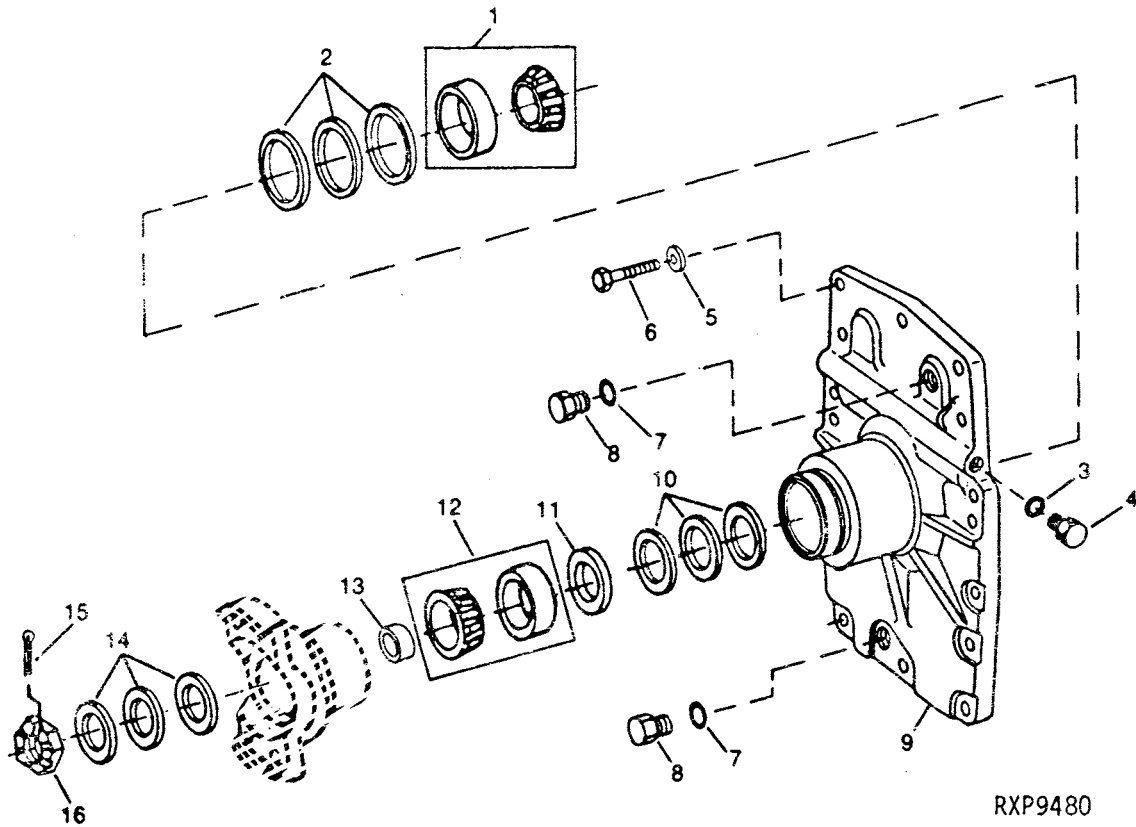
## INPUT QUILL ASSEMBLY - CONTINUED (RE39003) (OC-1) (FRONT) (NO DISCONNECT)

KEY	PART NO.	PART NAME	QTY	AXLE SERIAL NO.	REMARKS
1	RE49486	ROLLER BEARING	1		
2	R35365	SHIM	AR		
	R35366	SHIM	AR		
	R35367	SHIM	AR		
3	R26448	O-RING	2		
4	R27218	FITTING PLUG	2		
5	R73290	WASHER	14		
6	19M7409	CAP SCREW	14		
7	F3171R	O-RING	2		
8	R27175	PIPE PLUG	2		
9	R100267	COVER	1		
10	R51196	SHIM	AR		
	R51197	SHIM	AR		
	R51198	SHIM	AR		
	R51199	SHIM	AR		
11	R56308	WASHER	1		
12	JD8255	BEARING CUP	1		
13	JD9078	BEARING CONE	1		
14	RE45315	SEAL KIT	1		
15	A4540R	O-RING	1		
16	R48733	WASHER	AR		
	R48734	WASHER	AR		
	R48735	WASHER	AR		
17	R48776	NUT	1		
18	11M7032	COTTER PIN	1		5 X 50 MM

# 1B20

## INPUT QUILL (RE39813) (OC-A) (FRONT) (DISCONNECT)

RXP9480



RXP9480

# 1B21

AXLES AND SUSPENSION SYSTEMS 2

DIFFERENTIAL OR BEVEL DRIVE 0210

## INPUT QUILL - CONTINUED (RE39813) (OC-A) (FRONT) (DISCONNECT)

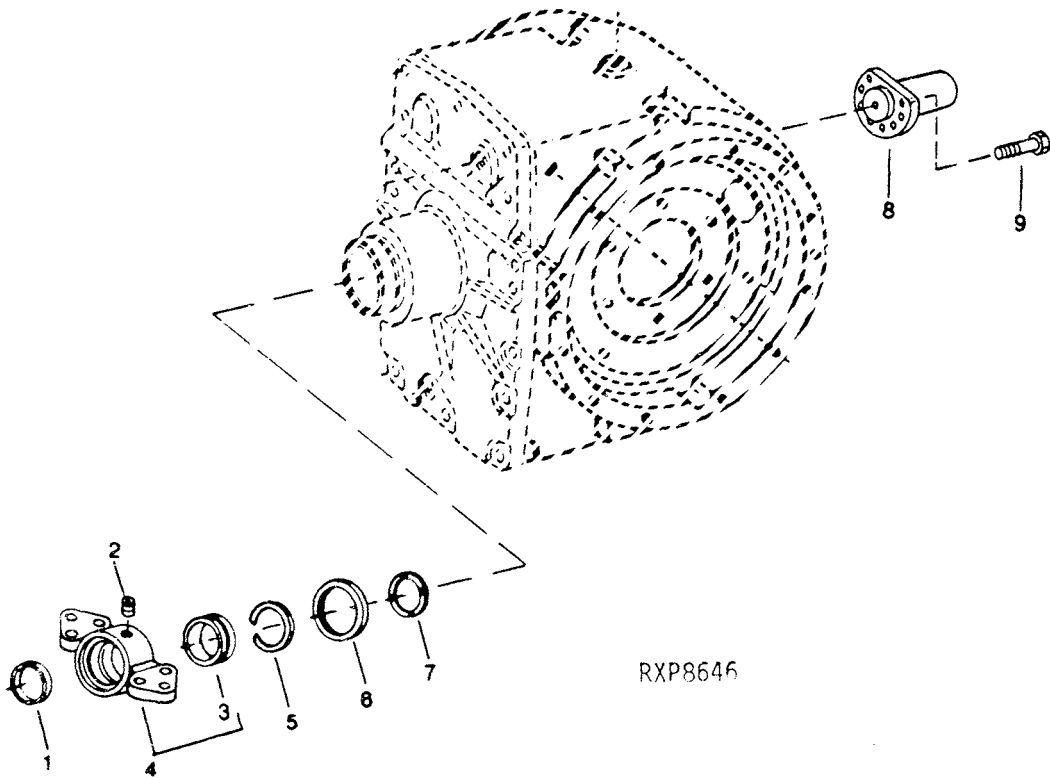
KEY	PART NO.	PART NAME	QTY	AXLE SERIAL NO.	REMARKS
1	RE49486	ROLLER BEARING	1		
2	R35365	SHIM	AR		
	R35366	SHIM	AR		
	R35367	SHIM	AR		
3	R26448	O-RING	2		
4	R27218	FITTING PLUG	2		
5	R73290	WASHER	14		
6	19M7409	CAP SCREW	14		M16 X 50
7	F3171R	O-RING	2		
8	R27175	PIPE PLUG	2		
9	R100609	COVER	1		
10	R88602	SHIM	AR		
	R88603	SHIM	AR		
	R88604	SHIM	AR		
11	R88611	SPACER	1		
12	RE49486	ROLLER BEARING	1		
13	JD8809	NEEDLE BEARING	1		
14	R88608	WASHER	AR		
	R88609	WASHER	AR		
	R88610	WASHER	AR		
15	11H247	COTTER PIN	1		
16	R88607	NUT	1		
..	T43514	GASKET	1		



# 1B22

## OSCILLATING DUAL PIVOT (RE44160) (OC-A) (REAR)

RXP8646



# 1B23

AXLES AND SUSPENSION SYSTEMS 2

DIFFERENTIAL OR BEVEL DRIVE 0210

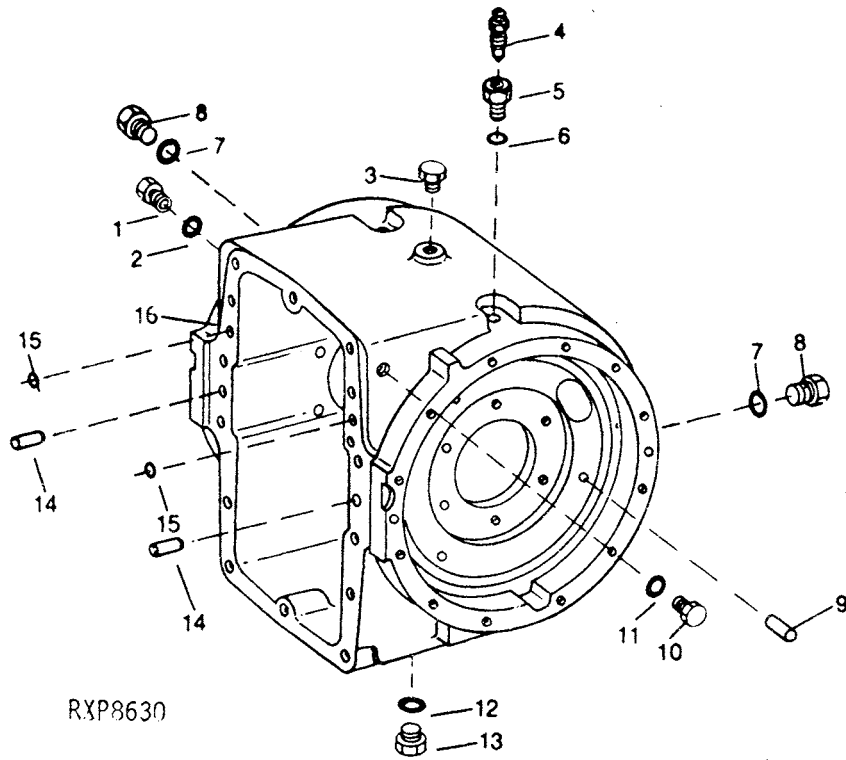
## OSCILLATING DUAL PIVOT - CONTINUED (RE44160) (OC-A) (REAR)

KEY	PART NO.	PART NAME	QTY	AXLE SERIAL NO.	REMARKS
1	AR92437	SEAL	1		
2	15H558	PIPE PLUG	1		
3	R70454	BUSHING	1		
4	RE41837	SUPPORT	1		
5	R42227	SNAP RING	1		
6	AR94169	SEAL	1		
7	R56298	THRUST WASHER	1		
8	R97704	PIN	1		
9	19M8634	CAP SCREW	11		

# 1B24

## DIFFERENTIAL CASE (RE38999) (OC-1)

RXP8630



# 1B25

AXLES AND SUSPENSION SYSTEMS 2

DIFFERENTIAL OR BEVEL DRIVE 0210

## DIFFERENTIAL CASE - CONTINUED (RE38999) (OC-1)

KEY	PART NO.	PART NAME	QTY	AXLE SERIAL NO.	REMARKS
1	R39112	DRAIN PLUG	1		
2	R26375	O-RING	1		
3	15H563	PIPE PLUG	1		3/8"
	U43871	BREATHER	1		
4	R21612	BLEED SCREW	2		
5	R106789	BUSHING	2		
6	R26448	O-RING	2		
7	F3171R	O-RING	3		
8	R27175	PIPE PLUG	3		
9	R54380	DOWEL PIN	4		
10	R27474	DRAIN PLUG	1		
11	R26906	O-RING	1		
12	F3171R	O-RING	1		
13	R84262	FITTING PLUG	1		
14	R54380	DOWEL PIN	3		
15	R375R	O-RING	2		
16	R100263	CASE	1		

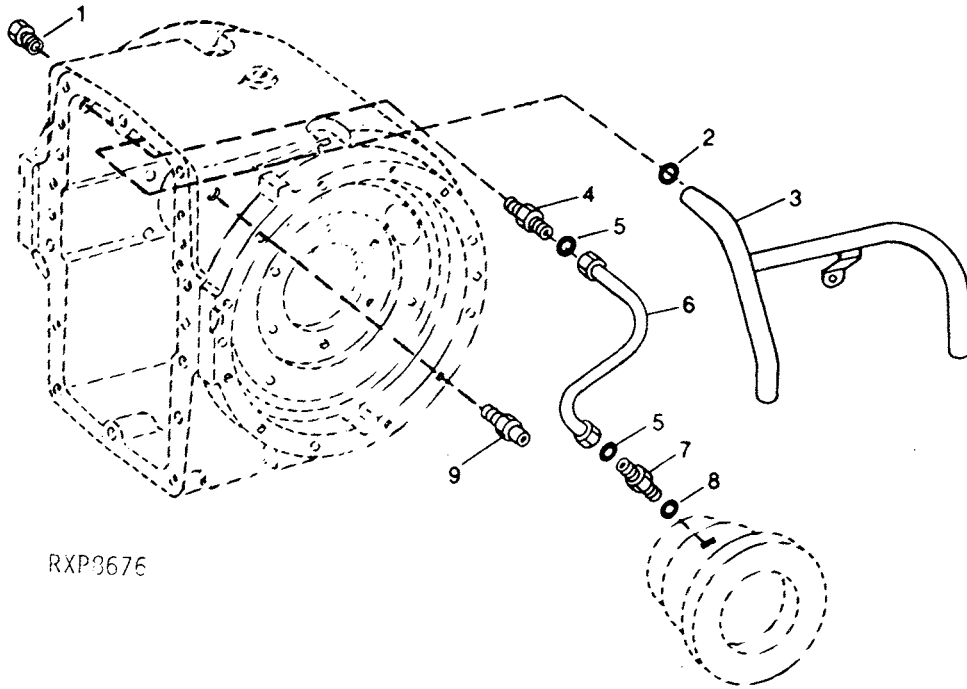
# 1C01

AXLES AND SUSPENSION SYSTEMS 2

DIFFERENTIAL OR BEVEL DRIVE 0210

## DIFFERENTIAL CASE OIL LINES (RE44413) (OC-4) (FRONT AND REAR) (DIFFERENTIAL LOCK)

RXP8676



RXP8676

KEY	PART NO.	PART NAME	QTY	AXLE SERIAL NO.	REMARKS
1	T106596	SCREW	1		
2	R72328	O-RING	1		
3	RE44414	OIL LINE	1		
4	T80938	ADAPTER	1		
5	T77814	O-RING	2		
6	RE44496	OIL LINE	1		
7	R115176	ADAPTER	1		
8	R26287	O-RING	1		
9	RE50431	CHECK VALVE	1		

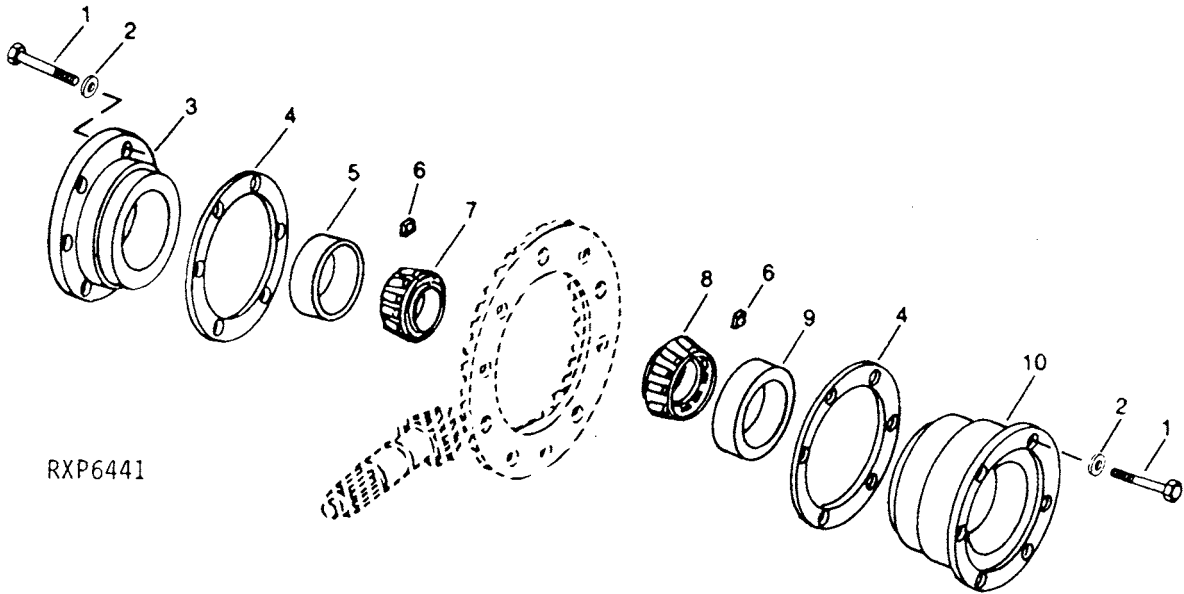
# 1C02

AXLES AND SUSPENSION SYSTEMS 2

DIFFERENTIAL OR BEVEL DRIVE 0210

## DIFFERENTIAL BEARING QUILLS (STANDARD DIFFERENTIAL) (RE44166) (OC-1) (FRONT AND REAR)

RXP6441



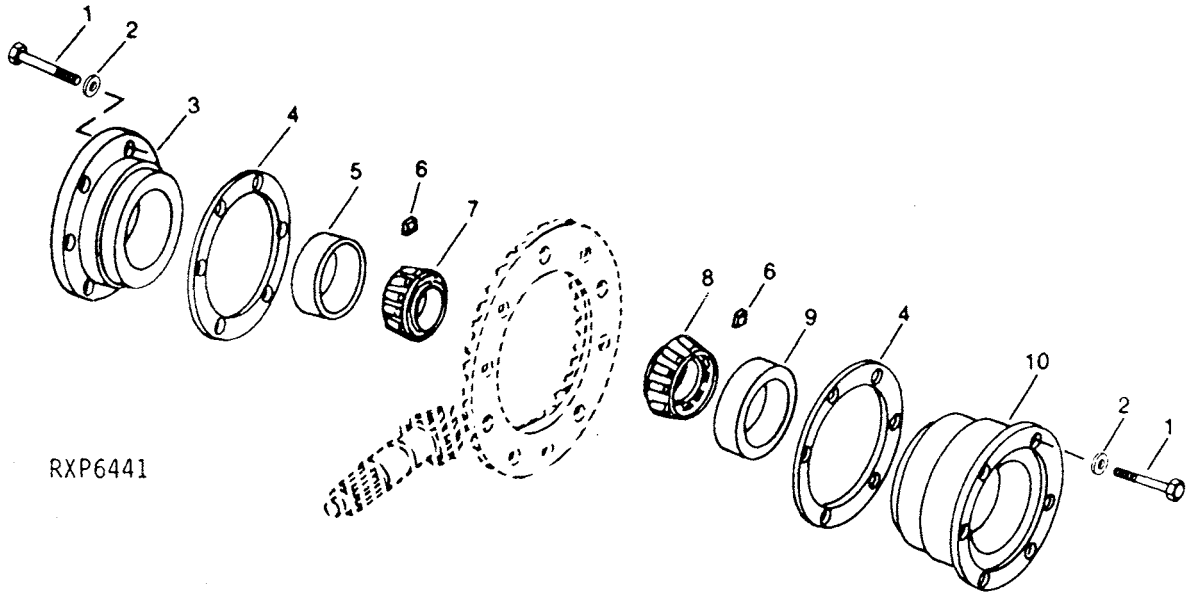
KEY	PART NO.	PART NAME	QTY	AXLE SERIAL NO.	REMARKS
1	R112887	BOLT	12		(SUB FOR R86886)
2	R47172	WASHER	12		
3	R62465	QUILL	1		
4	R46323	SHIM	AR		
	R46324	SHIM	AR		
	R46325	SHIM	AR		
5	JD8210	BEARING CUP	1		
6	14M7295	NUT	2	M12	
7	JD8159	BEARING CONE	1		
8	JD9055	BEARING CONE	1		
9	JD9118	BEARING CUP	1		
10	R59419	QUILL	1		



# 1C03

**DIFFERENTIAL BEARING QUILLS  
(NO-SPIN DIFFERENTIAL)  
(RE44167) (OC-2)  
(FRONT AND REAR)**

RXP6441



KEY	PART NO.	PART NAME	QTY	AXLE SERIAL NO.	REMARKS
1	R112887	BOLT	12		
2	R47172	WASHER	12		
3	R62465	QUILL	1		
4	R46323	SHIM	AR		
	R46324	SHIM	AR		
	R46325	SHIM	AR		
5	JD8210	BEARING CUP	1		
6	14M7295	NUT	2	M12	
7	JD8159	BEARING CONE	1		
8	JD9055	BEARING CONE	1		
9	JD9118	BEARING CUP	1		
10	R59419	QUILL	1		

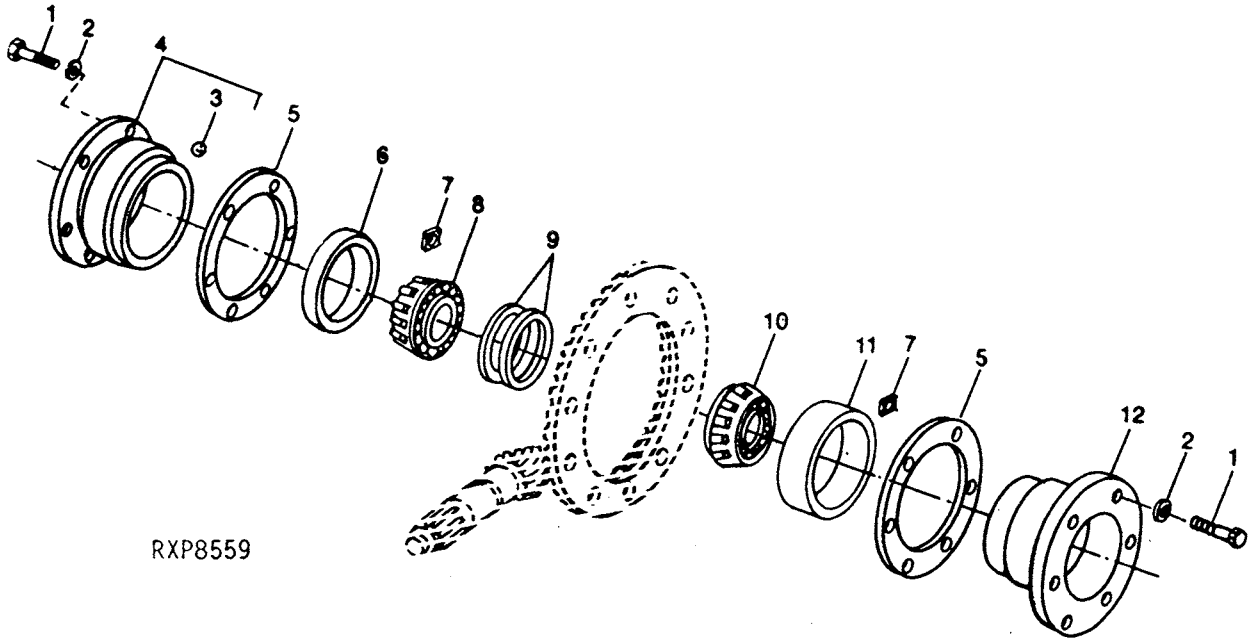
# 1C04

AXLES AND SUSPENSION SYSTEMS 2

DIFFERENTIAL OR BEVEL DRIVE 0210

## DIFFERENTIAL BEARING QUILLS (DIFFERENTIAL LOCK) (RE44413) (OC-3) (FRONT AND REAR)

RXP8559



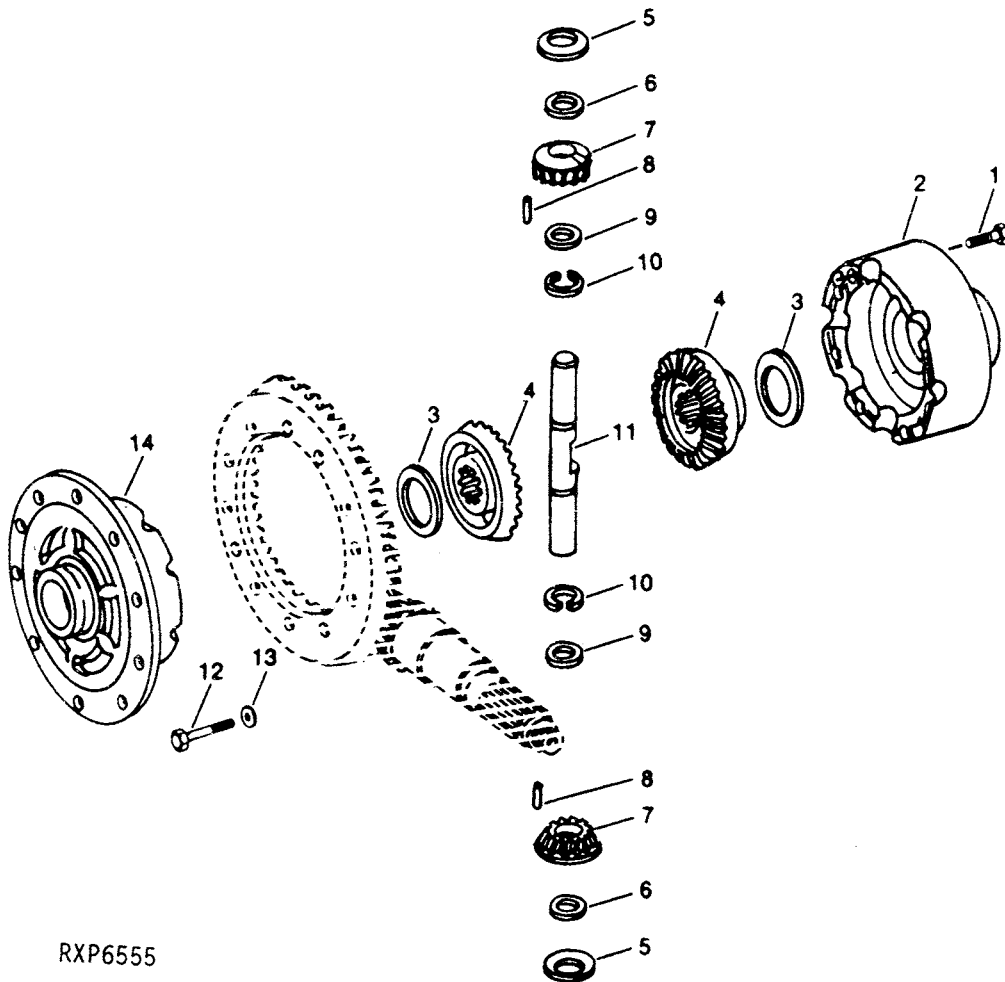
RXP8559

KEY	PART NO.	PART NAME	QTY	AXLE SERIAL NO.	REMARKS
1	R112887	BOLT	12		
2	R47172	WASHER	12		
3	400R	BALL	1		
4	RE19630	QUILL	1		
5	R46323	SHIM	AR		0.08 MM (.003")
	R46324	SHIM	AR		0.13 MM (.005")
	R46325	SHIM	AR		0.25 MM (.010")
6	JD8210	BEARING CUP	1		
7	14M7295	NUT	2		M12
8	JD8159	BEARING CONE	1		
9	R34513	RING	2		
10	JD9601	BEARING CONE	1		
11	JD9156	BEARING CUP	1		
12	R59419	QUILL	1		

# 1C05

## STANDARD DIFFERENTIAL (RE44166) (OC-1) (FRONT AND REAR)

RXP6555



RXP6555

# 1C06

AXLES AND SUSPENSION SYSTEMS 2

**STANDARD DIFFERENTIAL  
(RE44166) (OC-1)  
(FRONT AND REAR)**

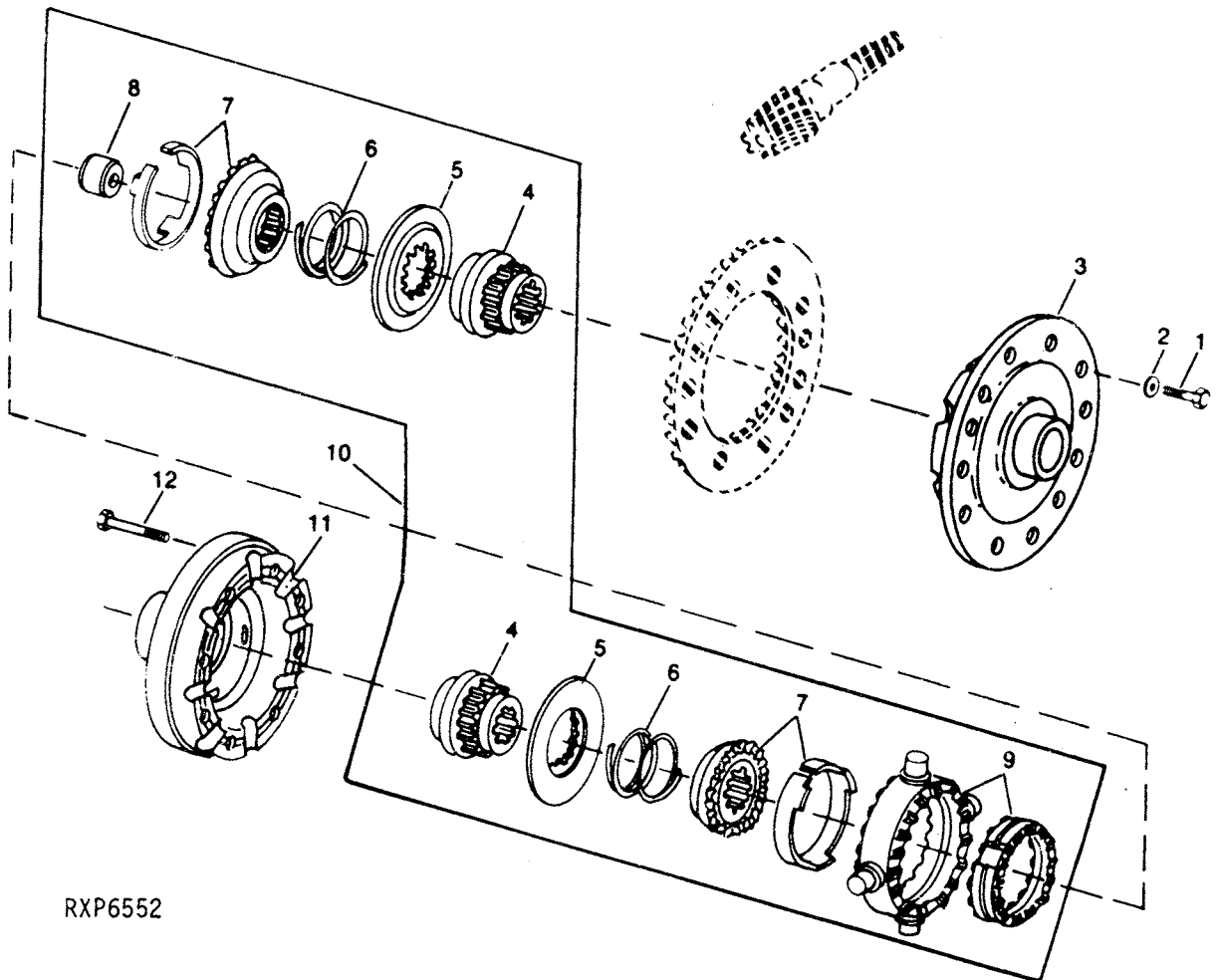
DIFFERENTIAL OR BEVEL DRIVE 0210

KEY	PART NO.	PART NAME	QTY	AXLE SERIAL NO.	REMARKS
1	R115439	CAP SCREW	8		
2	R73008	COVER	1		
3	R93623	THRUST WASHER	2		
4	R59289	BEVEL GEAR	2		
5	R59460	THRUST WASHER	4		
6	R70113	THRUST WASHER	4		
7	R68170	PINION	4		
8	R70115	NEEDLE ROLLER	4		
9	R70112	THRUST WASHER	4		
10	R70114	SNAP RING	4		
11	R70111	PINION SHAFT	2		
12	R85225	CAP SCREW	12		
13	R85226	WASHER	12		
14	R89140	HOUSING	1		
..	R51494	WASHER	4		DIFFERENTIAL LOCK HOLES
..	R69532	FITTING PLUG	4		DIFFERENTIAL LOCK HOLES

# 1C07

## STANDARD DIFFERENTIAL (NO-SPIN) (RE44167) (OC-2) (FRONT AND REAR)

RXP6552



RXP6552

# 1C08

AXLES AND SUSPENSION SYSTEMS 2

DIFFERENTIAL OR BEVEL DRIVE 0210

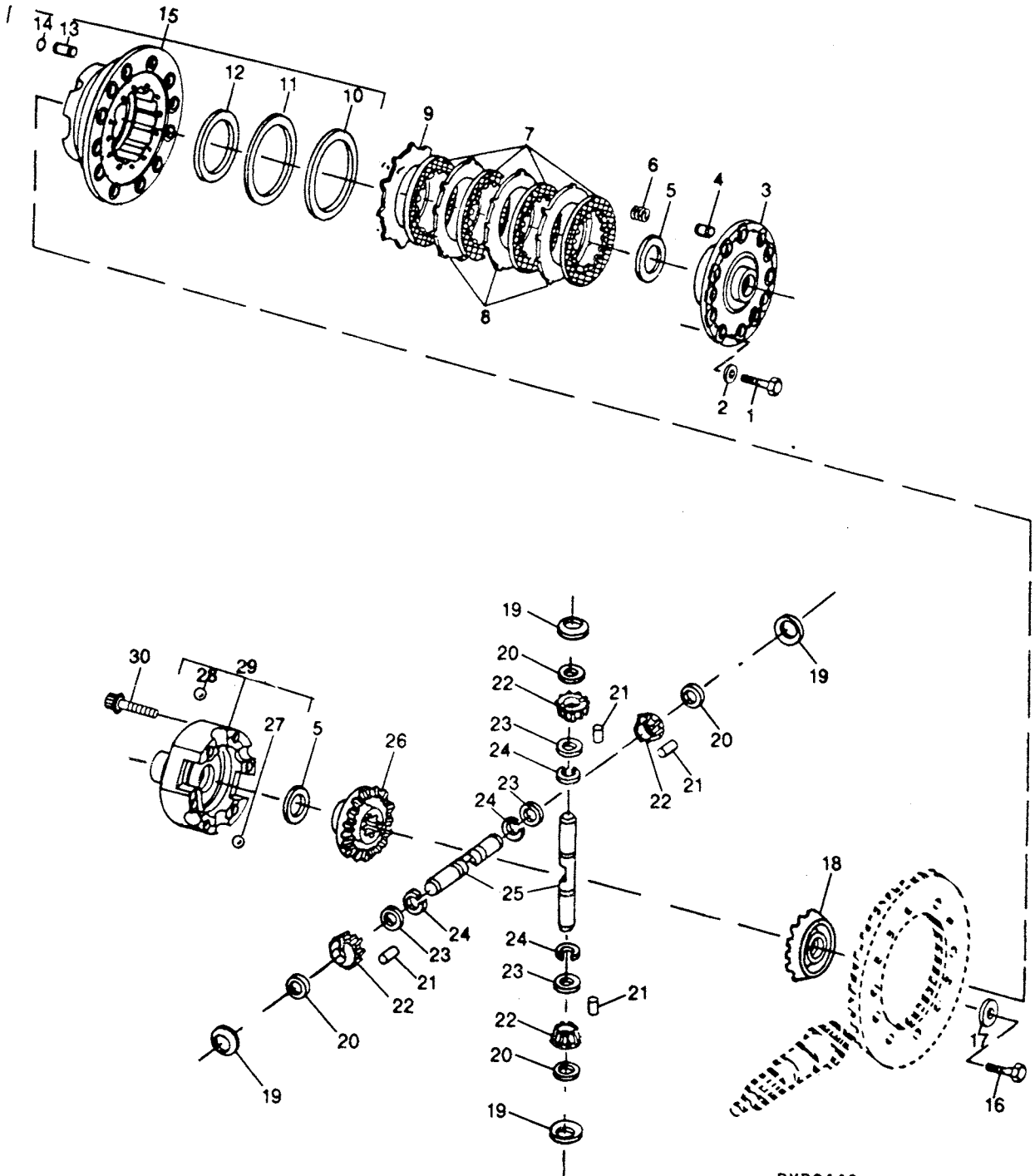
**STANDARD DIFFERENTIAL  
(NO-SPIN)  
(RE44167) (OC-2)  
(FRONT AND REAR)**

KEY	PART NO.	PART NAME	QTY	AXLE SERIAL NO.	REMARKS
1	R85225	CAP SCREW	12		
2	R85226	WASHER	12		
3	R89140	HOUSING	1		
4	R92622	GEAR	2		
5	R60044	GUIDE	2		SPRING
6	R60045	SPRING	2		
7	RE32167	CLUTCH	2		
8	R56305	BUSHING	1		
9	RE32166	SPIDER	1		
10	RE32165	DIFFERENTIAL	1		
11	R73008	COVER	1		
12	R115439	CAP SCREW	8		
..	R51494	WASHER	4		DIFFERENTIAL LOCK HOLES
..	R69532	FITTING PLUG	4		DIFFERENTIAL LOCK HOLES

# 1C09

## STANDARD DIFFERENTIAL (DIFFERENTIAL LOCK) (RE44413) (OC-4) (FRONT AND REAR)

RXP9440



RXP9440

# 1C10

AXLES AND SUSPENSION SYSTEMS 2

DIFFERENTIAL OR BEVEL DRIVE 0210

**STANDARD DIFFERENTIAL - CONTINUED  
(DIFFERENTIAL LOCK)  
(RE44413) (OC-4)  
(FRONT AND REAR)**

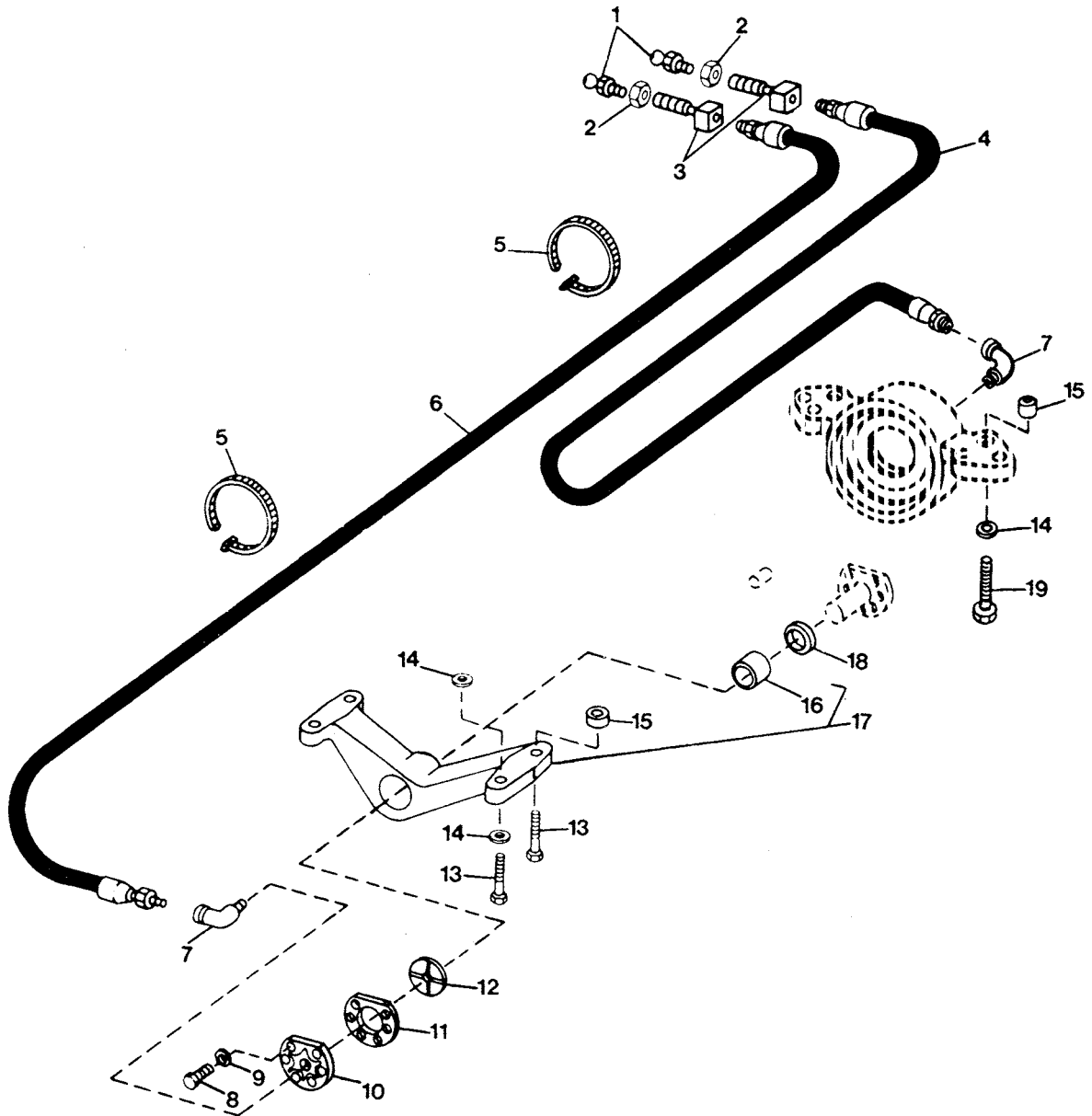
KEY	PART NO.	PART NAME	QTY	AXLE SERIAL NO.	REMARKS
1	19H2964	CAP SCREW	12		7/16" X 1-1/8"
2	T105740	WASHER	12		
3	R84993	COVER	1		(ALSO ORDER (3) 34H327)
4	34H327	SPRING PIN	3		
5	R93623	THRUST WASHER	2		
6	R34203	SPRING	3		
7	RE29428	DISK	4		
8	R34858	CLUTCH PLATE	3		SEPARATOR
9	R34857	CLUTCH PLATE	1		BACKING
10	R58775	PISTON	1		
11	R68615	WASHER	1		
12	R68616	WASHER	1		
13	R70532	BUSHING	1		
14	R60038	PACKING	1		
15	RE32603	HOUSING	1		(MARKED R89118)
16	R85225	CAP SCREW	12		
17	R85226	WASHER	12		
18	R59290	BEVEL GEAR	1		
19	R59460	THRUST WASHER	4		
20	R70112	THRUST WASHER	4		
21	R70115	NEEDLE ROLLER	104		
22	R68170	PINION	4		
23	R70113	THRUST WASHER	4		
24	R70114	SNAP RING	4		
25	R70111	PINION SHAFT	2		
26	R59289	BEVEL GEAR	1		
27	400R	BALL	1		
28	H871R	BALL	2		
29	RE21029	HOUSING	1		(MARKED R82197)
30	R116211	SCREW	8		



# 1C11

## DIFFERENTIAL SUPPORTS AND LUBRICATION LINES

TP33627



TP33627

# 1C12

AXLES AND SUSPENSION SYSTEMS 2

DIFFERENTIAL OR BEVEL DRIVE 0210

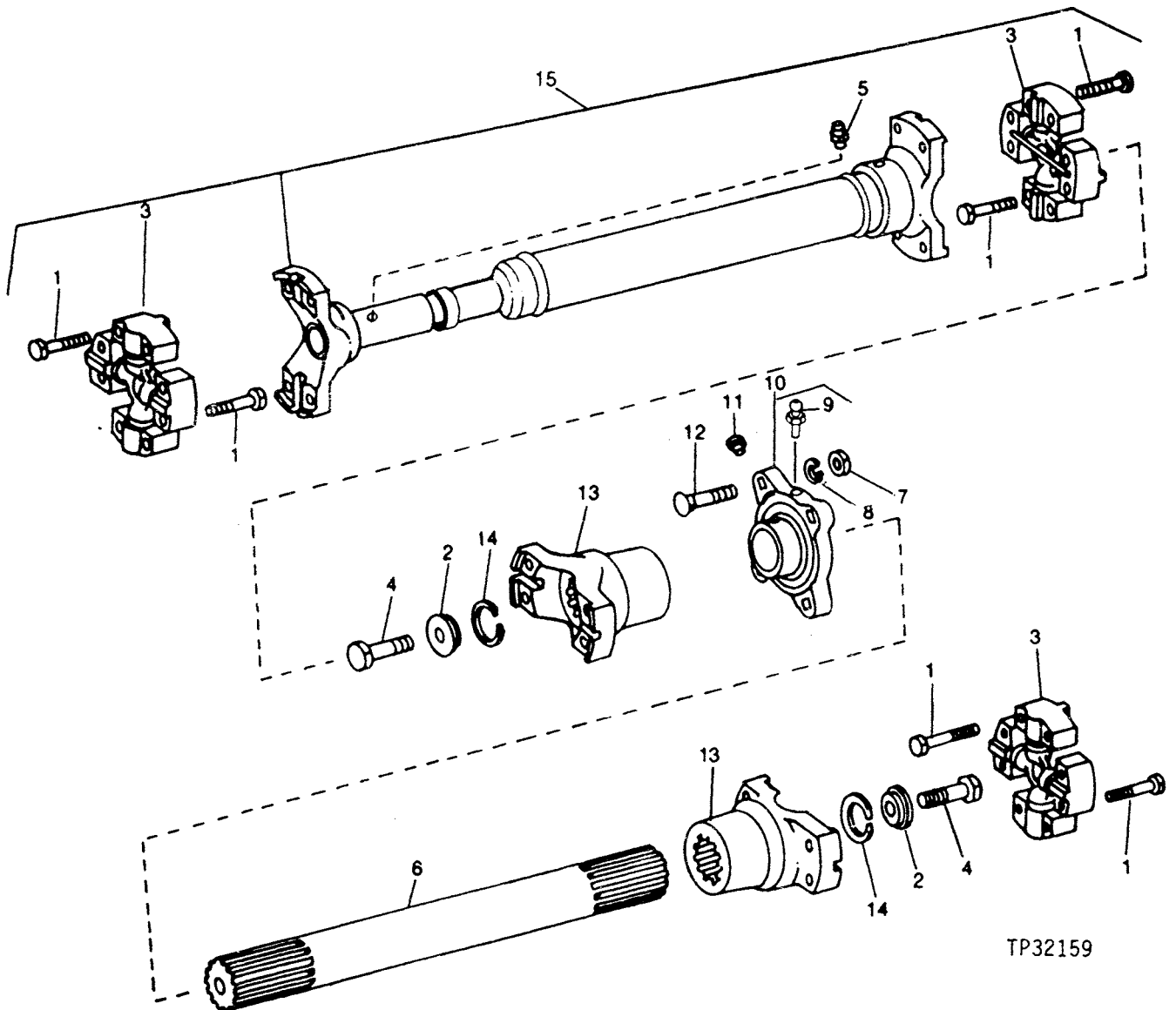
## DIFFERENTIAL SUPPORTS AND LUBRICATION LINES

KEY	PART NO.	PART NAME	QTY	SERIAL NO.	REMARKS
1	JD7797	LUBRICATION FITTING	2		
2	E12379	NUT	2		
3	R36311	FITTING	2		
4	AT103354	HYDRAULIC HOSE	1		1/8" X 650 MM (25-1/2") X 1/8"
5	H77698	TIE BAND	1		
6	AT53541	HYDRAULIC HOSE	1		1/8" X 1 490 MM (58-3/4") X 1/8"
7	15H219	ELBOW FITTING	1		
8	19M7493	CAP SCREW	6		M12 X 40
9	24M7044	WASHER	6		13 X 20 X 2 MM
10	R97708	COVER	1		
11	R97709	SHIM	AR		
	R97710	SHIM	AR		
	R97711	SHIM	AR		
	R97712	SHIM	AR		
12	R97705	WASHER	1		
13	19M7883	SCREW	4		M20 X 120
14	24M7242	WASHER	8		21.400 X 42 X 5 MM
15	30251	BUSHING	4		
16	R97707	BUSHING	1		
17	AT149818	SUPPORT	1		(MARKED T130527)
18	AT49859	SEAL	1		
19	19M7892	CAP SCREW	4		

# 1C13

## TRANSMISSION TO FRONT DIFFERENTIAL UNIVERSAL JOINTS (WITHOUT DISCONNECT) 0225

TP32159



TP32159

# 1C14

AXLES AND SUSPENSION SYSTEMS 2

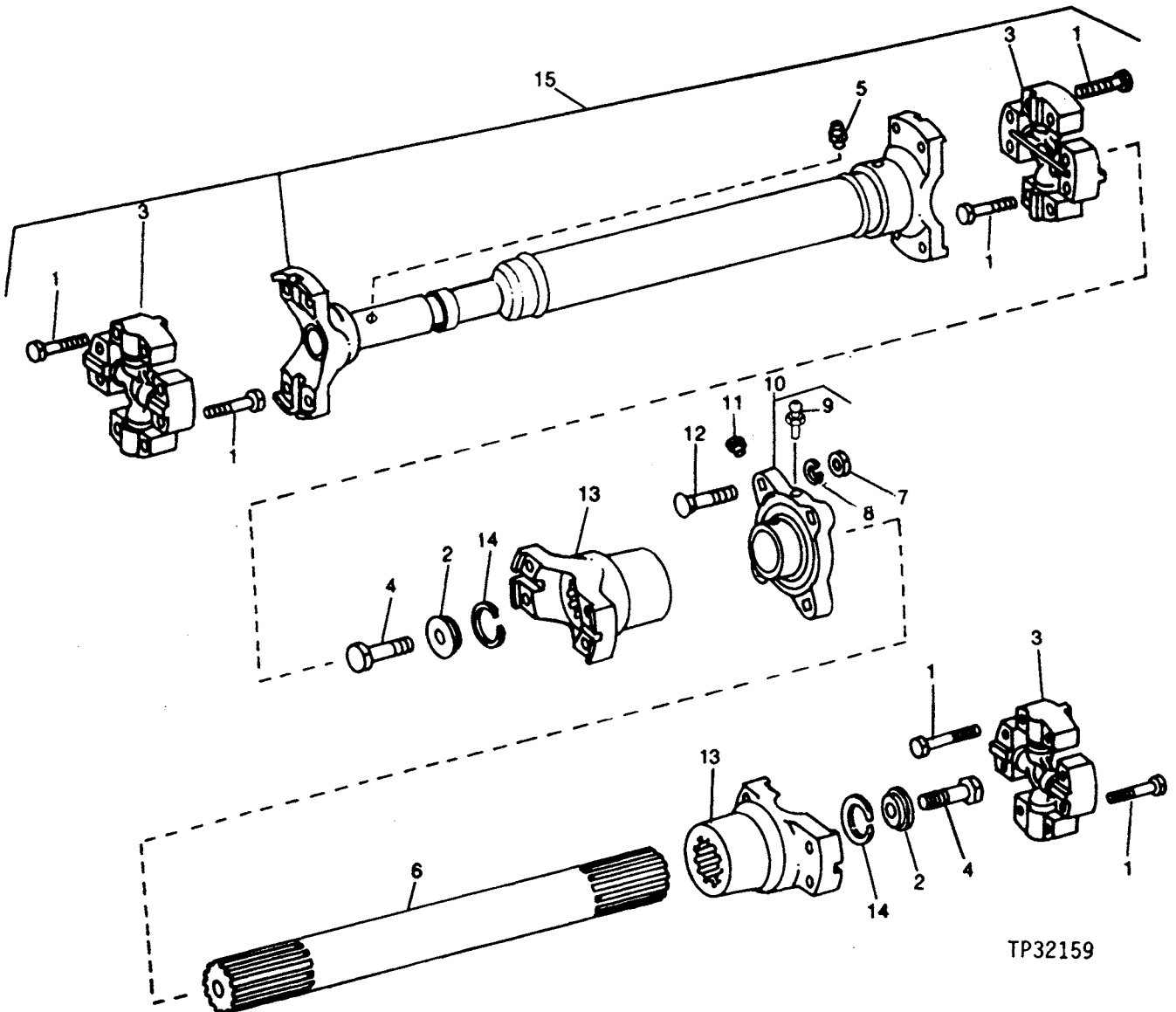
INPUT DRIVE SHAFTS AND U-JOINTS 0225  
**TRANSMISSION TO FRONT DIFFERENTIAL UNIVERSAL JOINTS  
(WITHOUT DISCONNECT)**

KEY	PART NO.	PART NAME	QTY	SERIAL NO.	REMARKS
1	19H3183	CAP SCREW	24		1/2" X 2-1/8"
2	T27134	WASHER	2		
3	RE40111	UNIVERSAL JOINT CROSS	3		
4	19H2710	CAP SCREW	2		5/8" X 1-3/4"
5	JD7759	LUBRICATION FITTING	1		
6	T101723	DRIVE SHAFT	1		
7	14H1040	NUT	4		1/2"
8	T35025	WASHER	4		
9	JD7842	LUBRICATION FITTING	1		
10	AT150856	BEARING	1		
11	T144348	PIN	1		
12	03H1764	BOLT	4		1/2" X 1-3/4"
13	T59890	UNIVERSAL JOINT YOKE	2		
14	T27132	SNAP RING	2		
15	AT161033		1		

# 1C15

## TRANSMISSION TO FRONT DIFFERENTIAL UNIVERSAL JOINTS (WITH DISCONNECT) INPUT DRIVE SHAFTS AND U-JOINTS 0225

TP32159



TP32159

# 1C16

AXLES AND SUSPENSION SYSTEMS 2

## TRANSMISSION TO FRONT DIFFERENTIAL UNIVERSAL JOINTS (WITH DISCONNECT)

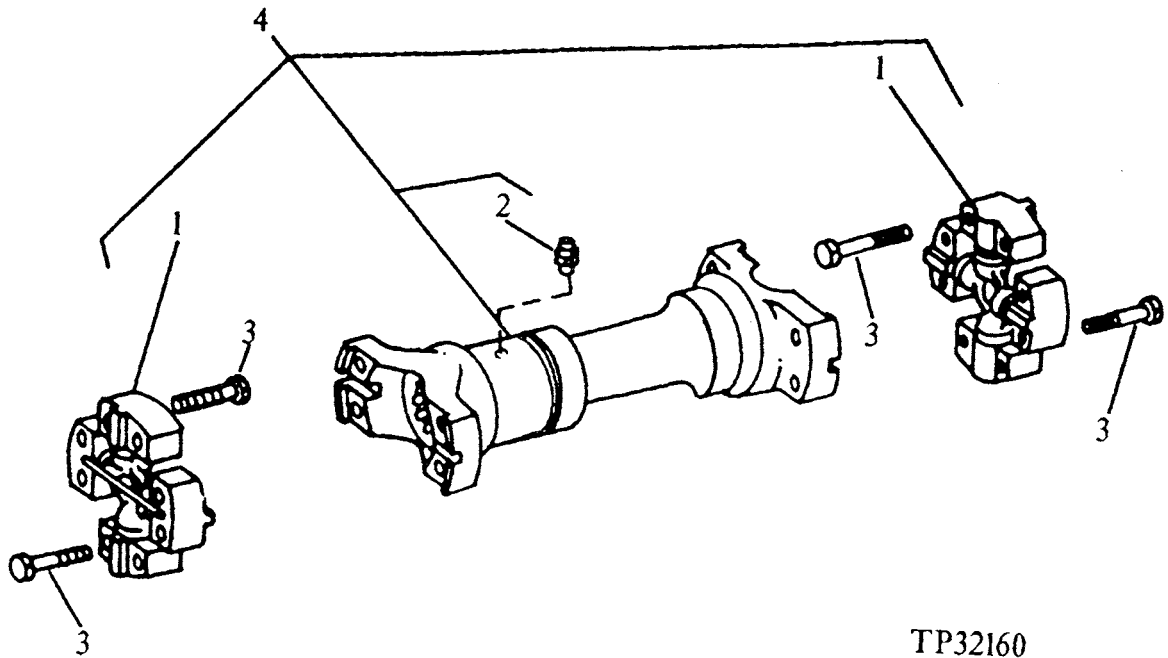
INPUT DRIVE SHAFTS AND U-JOINTS 0225

KEY	PART NO.	PART NAME	QTY	SERIAL NO.	REMARKS
1	19H3183	CAP SCREW	24		1/2" X 2-1/8"
2	T27134	WASHER	2		
3	RE40111	UNIVERSAL JOINT CROSS	3		
4	19H2710	CAP SCREW	2		5/8" X 1-3/4"
5	JD7759	LUBRICATION FITTING	1		
	JD5814	LUBRICATION FITTING	1		
6	T102517	DRIVE SHAFT	1		
7	14H1040	NUT	4		1/2"
8	T35025	WASHER	4		
9	JD7842	LUBRICATION FITTING	1		
10	AT150856	BEARING	1		
11	T144348	PIN	1		
12	03H1764	BOLT	4		1/2" X 1-3/4"
13	T59890	UNIVERSAL JOINT YOKE	2		
14	T27132	SNAP RING	2		
15	AT161033		1		

# 1C17

## TRANSMISSION TO REAR AXLE UNIVERSAL

TP32160



TP32160

KEY	PART NO.	PART NAME	QTY	SERIAL NO.	REMARKS
1	RE40111	UNIVERSAL JOINT CROSS	2		
2	JD7759	LUBRICATION FITTING	1		
3	19H3183	CAP SCREW	16		1/2" X 2-1/8"
4	AT161032		1		

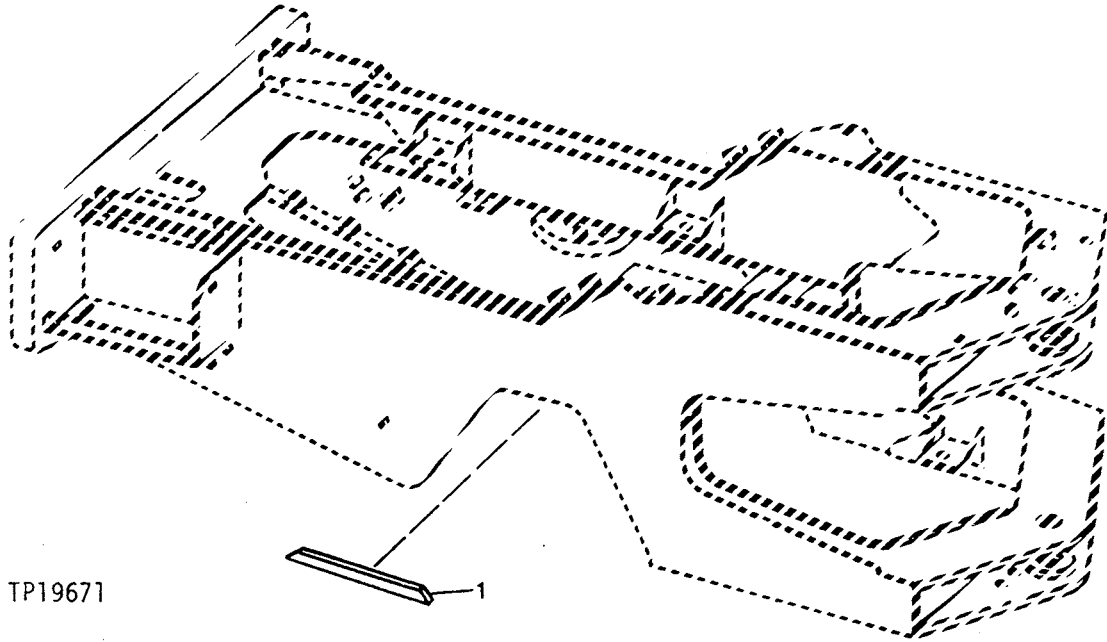
**MEMORANDA**



# 1C18

## AXLE STOP

TP19671



TP19671

KEY	PART NO.	PART NAME	QTY	SERIAL NO.	REMARKS
1	T102108	REINFORCEMENT	2		AXLE STOP (9, 11 OR 13 DEGREE OSCILLATION)

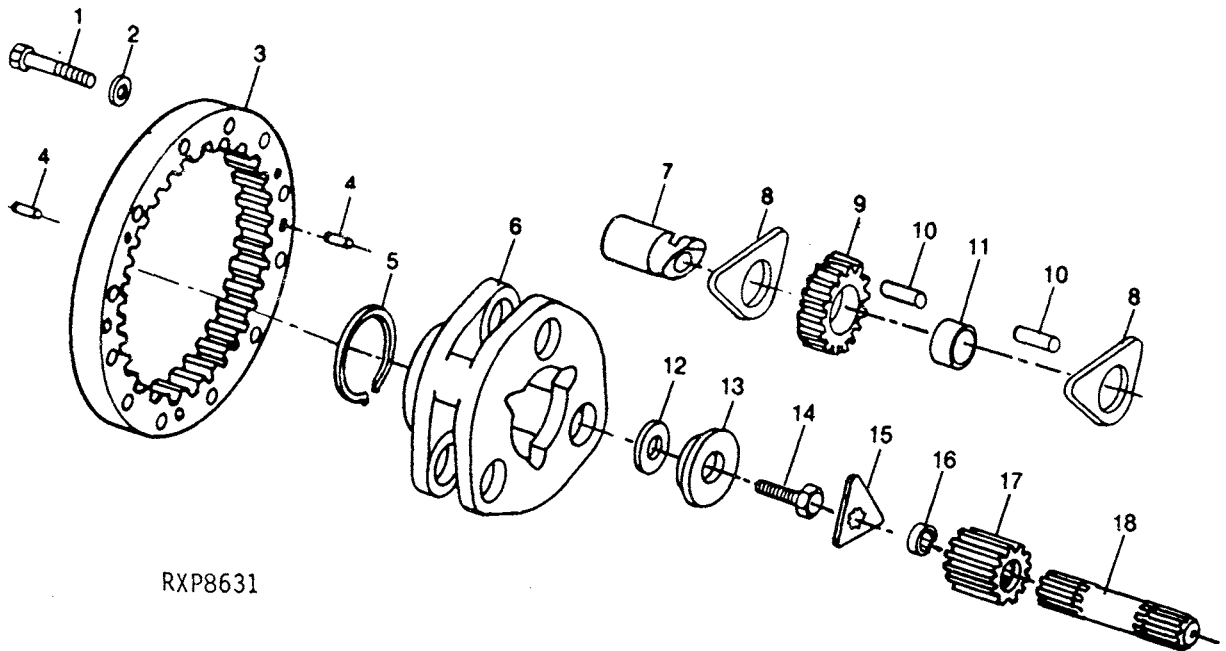
**MEMORANDA**

AXLE, SHAFT, BEARINGS AND REDUCTION GEARS 0250

# 1C19

## PLANETARY FINAL DRIVE (RE44172) (OC-3)

RXP8631



RXP8631

# 1C20

AXLES AND SUSPENSION SYSTEMS 2

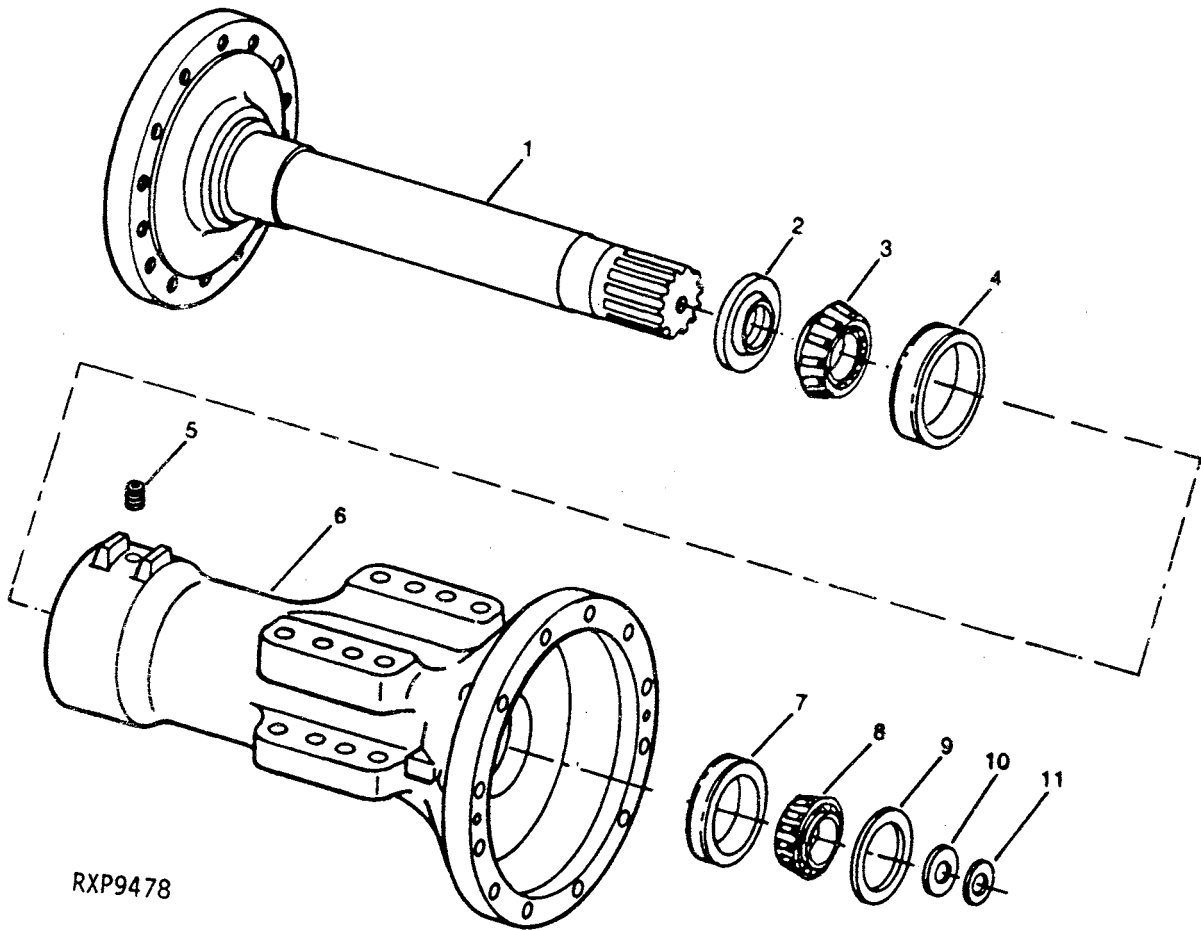
AXLE, SHAFT, BEARINGS AND REDUCTION GEARS 0250  
**PLANETARY FINAL DRIVE - CONTINUED**  
**(RE44172) (OC-3)**

KEY	PART NO.	PART NAME	QTY	AXLE SERIAL NO.	REMARKS
1	19M8620	CAP SCREW	12		M16 X 110
2	R73290	WASHER	12		
3	R93939	GEAR	1		
4	R54380	DOWEL PIN	4		
5	R33029	SNAP RING	1		
6	R116810	PLANET PINION CARRIER	1		
7	R97998	SHAFT	3		
8	R112079	THRUST WASHER	6		
9	R116821	PLANET PINION	3		
10	R109082	NEEDLE ROLLER	48		
11	R109083	WASHER	1		
12	R52389	SHIM	1		
13	R82921	WASHER	1		
14	R82175	CAP SCREW	1		
15	R26012	LOCK PLATE	1		
16	R36664	SNAP RING	1		
17	R84997	PINION	1		
18	R73013	DRIVE SHAFT	1		
	T43514	GASKET	1		

# 1C21

AXLE, SHAFT, BEARINGS AND REDUCTION GEARS 0250  
AXLE HOUSING AND SHAFT  
(RE48700)  
(REAR)

RXP9478



# 1C22

AXLES AND SUSPENSION SYSTEMS 2

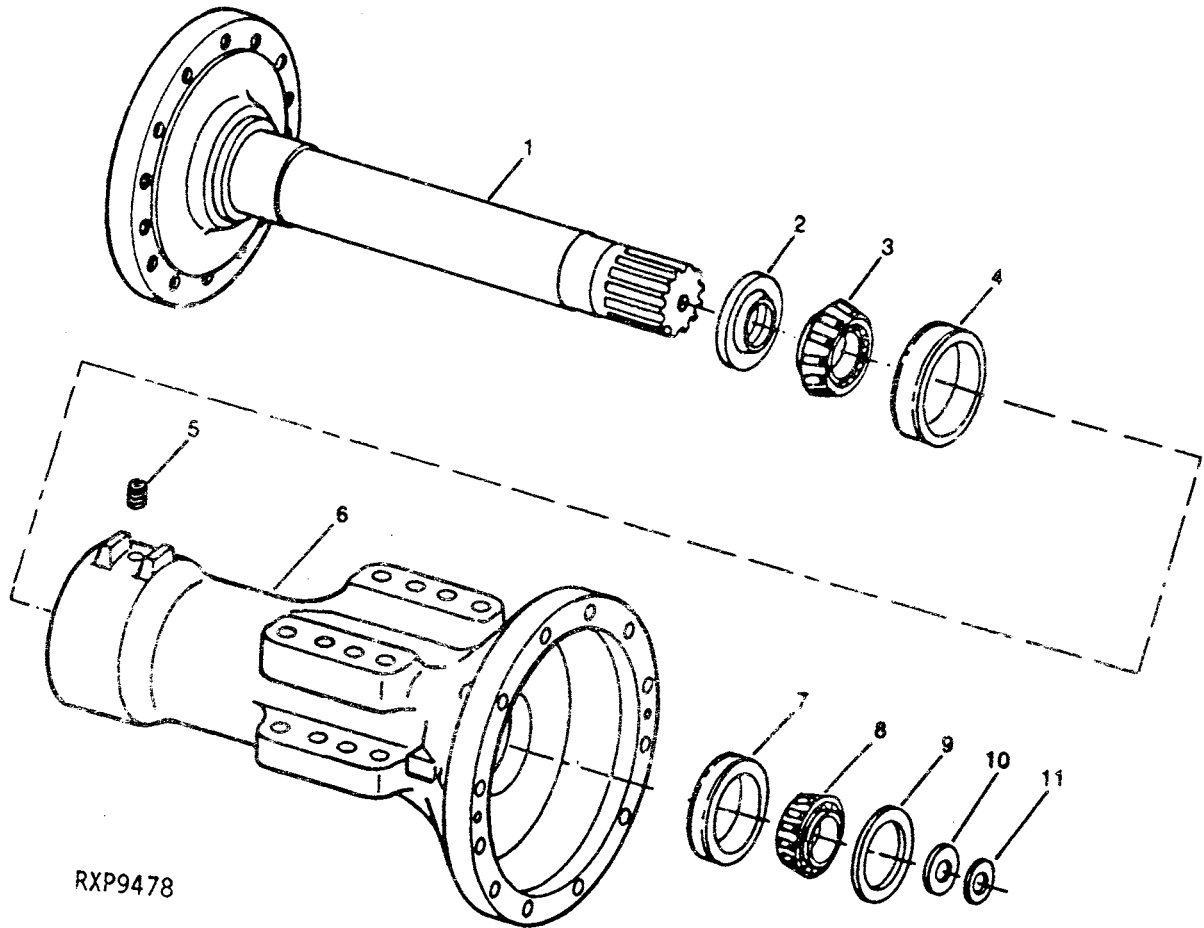
AXLE, SHAFT, BEARINGS AND REDUCTION GEARS 0250  
**AXLE HOUSING AND SHAFT - CONTINUED**  
**(RE48700)**  
**(REAR)**

KEY	PART NO.	PART NAME	QTY	AXLE SERIAL NO.	REMARKS
1	R110326	SPINDLE	1		
2	R114347	SEAL	1		
3	JD10315	BEARING CONE	1		
4	JD10316	BEARING CUP	1		
5	15H559	PIPE PLUG	1		1/4"
6	R105593	HOUSING	1		
7	JD8272	BEARING CUP	1		
8	JD8989	BEARING CONE	1		
9	R52389	SHIM	1		
10	R59439	SHIM	AR		0.13 MM (.005")
	R59440	SHIM	AR		0.51 MM (.020")
	R61461	SHIM	AR		0.08 MM (.003")
	R79989	SHIM	AR		0.18 MM (.007")
11	F2380R	WASHER	1		

# 1C23

AXLE, SHAFT, BEARINGS AND REDUCTION GEARS 0250  
AXLE HOUSING AND SHAFT  
(RE48701)  
(FRONT)

RXP9478



RXP9478

# 1C24

AXLES AND SUSPENSION SYSTEMS 2

AXLE HOUSING AND SHAFT - CONTINUED  
(RE48701)  
(FRONT)

AXLE, SHAFT, BEARINGS AND REDUCTION GEARS 0250

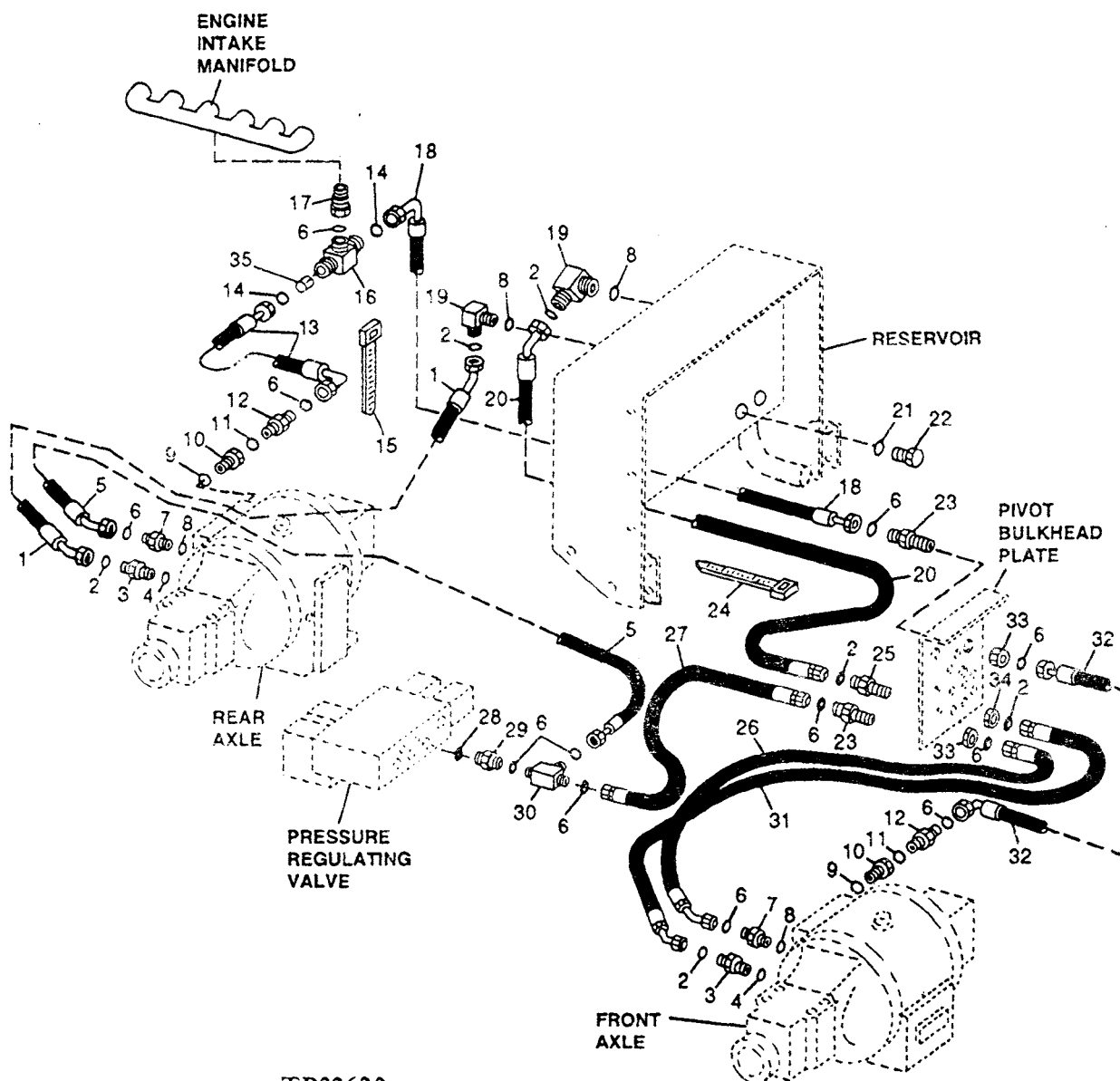
KEY	PART NO.	PART NAME	QTY	AXLE SERIAL NO.	REMARKS
1	R110326	SPINDLE	1		
2	R114347	SEAL	1		
3	JD10315	BEARING CONE	1		
4	JD10316	BEARING CUP	1		
5	15H559	PIPE PLUG	1		1/4"
6	R116159	HOUSING	1		
7	JD8272	BEARING CUP	1		
8	JD8989	BEARING CONE	1		
9	R52389	SHIM	1		
10	R59439	SHIM	AR		0.13 MM (.005")
	R59440	SHIM	AR		0.51 MM (.020")
	R61461	SHIM	AR		0.08 MM (.003")
	R79989	SHIM	AR		0.18 MM (.007")
11	F2380R	WASHER	1		



# 1D01

## DIFFERENTIAL LOCK LINES

TP33622



TP33622

# 1D02

AXLES AND SUSPENSION SYSTEMS 2

HYDRAULIC SYSTEM 0260

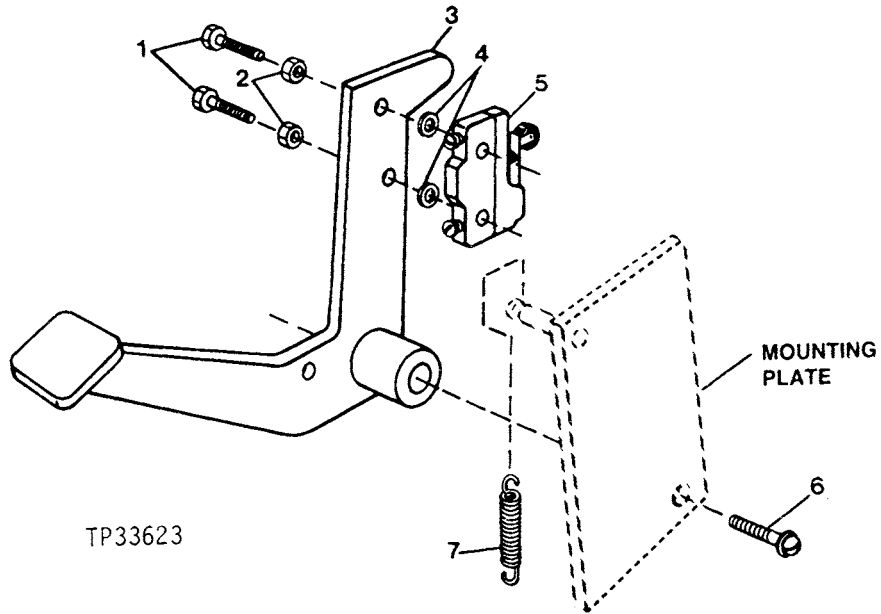
## DIFFERENTIAL LOCK LINES

KEY	PART NO.	PART NAME	QTY	SERIAL NO.	REMARKS
1	AT151798	HYDRAULIC HOSE	1		13/16" X 1 334 MM (52-1/2") X 13/16"
2	T77857	O-RING	6		
3	38H1175	ADAPTER	2		
4	U12547	O-RING	2		
5	AT151141	HYDRAULIC HOSE	1		9/16" X 1 195 MM (47") X 9/16"
6	T77814	O-RING	11		
7	38H1445	ADAPTER	2		
8	R26375	O-RING	4		
9	R26906	O-RING	2		
10	DD11603	ADAPTER	2		
11	R26286	O-RING	2		
12	38H1167	ADAPTER	2		
13	AT151802	HYDRAULIC HOSE	1		9/16" X 1 676 MM (66") X 9/16"
14	R27976	O-RING	2		
15	R44302	TIE BAND	AR		( AT151802 AND AT151803 HOSES TO ENGINE BREATHING TUBE)
16	AT161752	TEE FITTING	1		
17	P40098	ADAPTER	1		
18	AT151803	HYDRAULIC HOSE	1		9/16" X 2 286 MM (90") X 9/16"
19	38H1005	ELBOW FITTING	2		
20	AT151801	HYDRAULIC HOSE	1		13/16" X 2 286 MM (90") X 13/16"
21	R47150	O-RING	1		
22	R39112	DRAIN PLUG	1		
23	38H1284	ADAPTER	2		
24	H77698	TIE BAND	AR		
25	38H1275	ADAPTER	1		
26	AT151797	HYDRAULIC HOSE	1		9/16" X 1 824 MM (71-3/4") X 9/16"
27	AT102427	HYDRAULIC HOSE	1		9/16" X 1 075 MM (42-1/4") X 9/16"
28	R28782	O-RING	1		
29	38H1159	ADAPTER	1		
30	38H1029	TEE FITTING	1		
31	AT151799	HYDRAULIC HOSE	1		13/16" X 1 824 MM (71-3/4") X 13/16"
32	AT151797	HYDRAULIC HOSE	1		9/16" X 1 824 MM (71-3/4") X 9/16"
33	14H832	NUT	2		9/16"
34	T78716	NUT	1		
35	38H1414	FITTING PLUG	1		(WITHOUT REAR DIFF LOCK)

# 1D03

## DIFFERENTIAL LOCK PEDAL AND SWITCH

TP33623



TP33623

KEY	PART NO.	PART NAME	QTY	SERIAL NO.	REMARKS
1	21H1348	SCREW	2		NO. 6 X 1-1/8"
2	C15421	LOCK NUT	2		
3	AT150765	PEDAL	1		
4	24H1281	WASHER	2		5/32" X 3/8" X 0.049"
5	AT58887	SWITCH	1		
6	19M7785	SCREW	1		M10 X 25
7	E78686	EXTENSION SPRING	1		

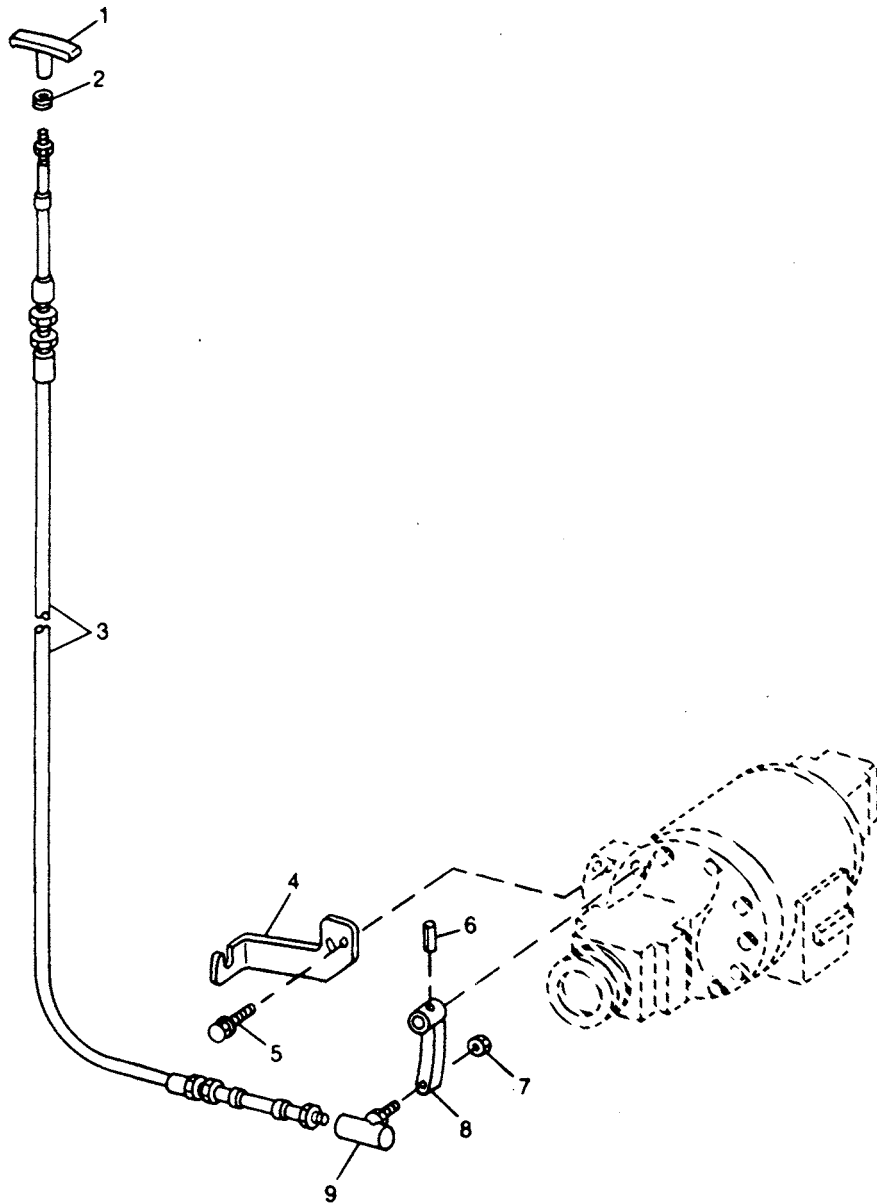
---

**MEMORANDA**

# 1D06

## FRONT AXLE DISCONNECT CONTROLS

TP33774



TP33774

# 1D07

TRANSMISSION 3

## FRONT AXLE DISCONNECT CONTROLS

CONTROLS 0315

KEY	PART NO.	PART NAME	QTY	SERIAL NO.	REMARKS
1	.....	HANDLE	1		
2	R38454	GROMMET	1		
	99M7056	PLUG	1		(USED WITHOUT DISCONNECT)
3	AT158243	CABLE	1		
4	T143651	BRACKET	1		
5	T34037	SCREW	2		
6	M81896	SPRING PIN	1		
7	R27453	NUT	1		
8	R116088	LEVER	1		
9	AH76556	BALL JOINT	1		

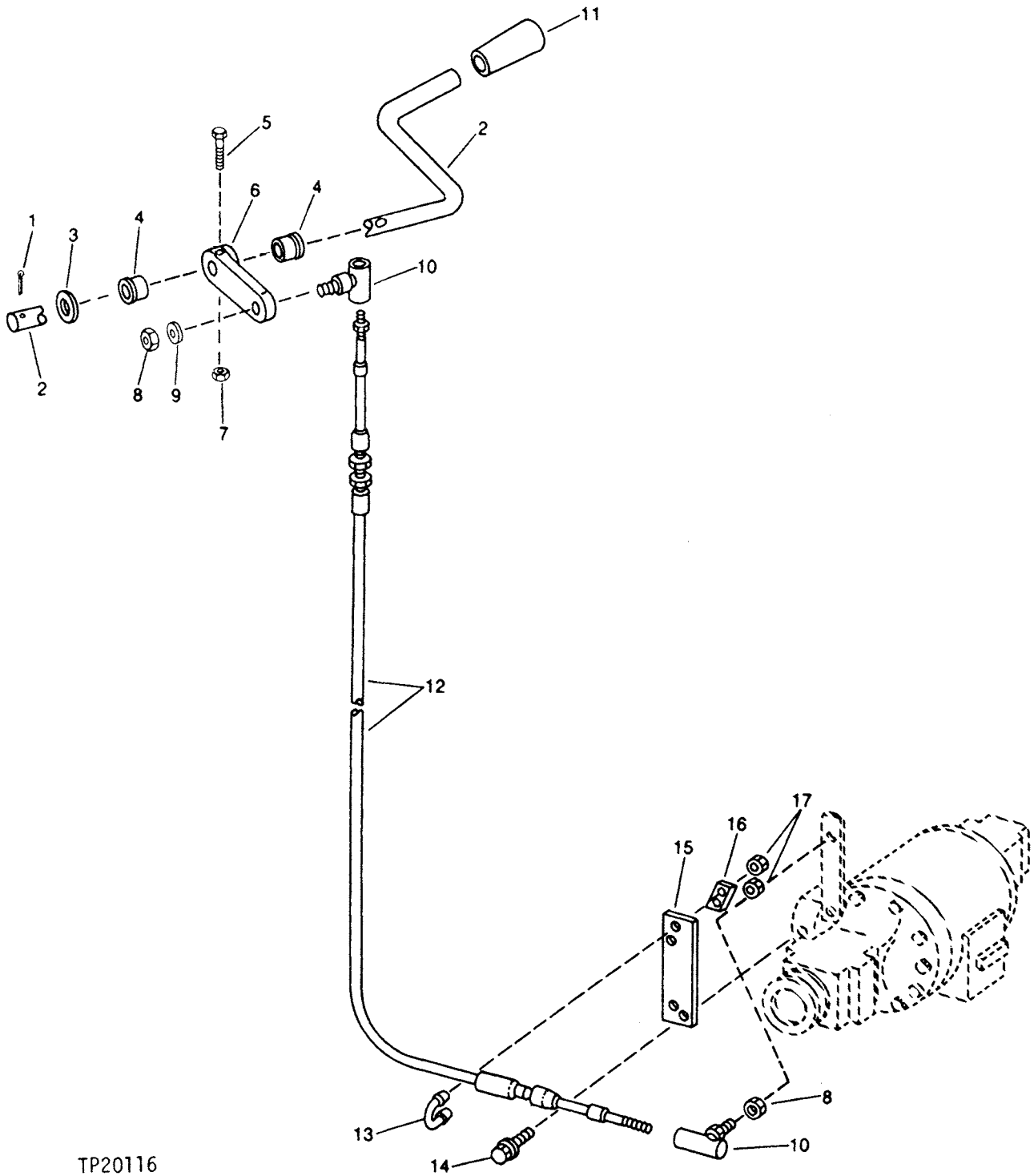
# 1D08

TRANSMISSION 3

## FRONT AXLE DISCONNECT CONTROLS

CONTROLS 0315

TP20116



TP20116

# 1D09

TRANSMISSION 3

CONTROLS 0315

## FRONT AXLE DISCONNECT CONTROLS

KEY	PART NO.	PART NAME	QTY	SERIAL NO.	REMARKS
1	11M7058	COTTER PIN	1		2 X 25 MM
2	T119580	ROD	1		
3	24M7240	WASHER	1		13 X 25 X 3 MM
4	R41076	GROMMET	2		
5	19M7874	CAP SCREW	1		M6 X 30
6	R31396	LEVER	1		
7	14M7272	NUT	1		M6
8	R27453	NUT	2		
9	24H1304	WASHER	1		13/32" X 23/32" X 0.120"
10	AH76556	BALL JOINT	2		
11	T119670	KNOB	1		
12	AT117018	CABLE	1		
13	T13988	U-BOLT	1		
14	T34037	SCREW	2		
15	T102978	BRACKET	1		
16	T15021	STRAP	1		
17	14H786	NUT	2		1/4"



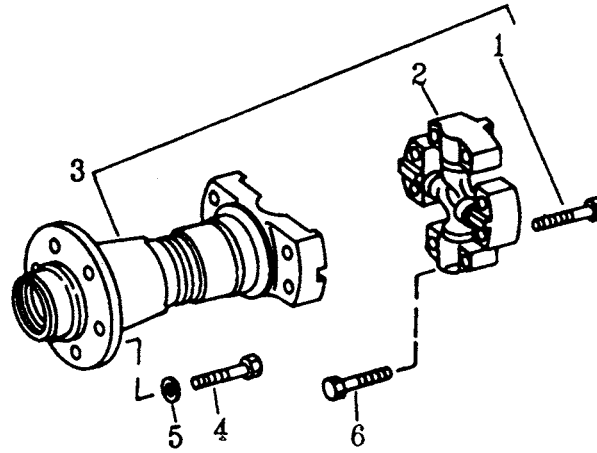
---

**MEMORANDA**

# 1D10

ENGINE TO TRANSMISSION UNIVERSAL JOINT INPUT DRIVE SHAFTS AND U-JOINTS 0325

TP31191



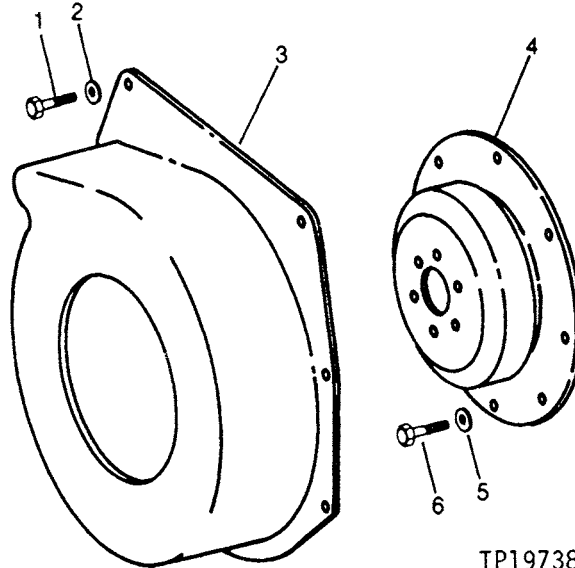
TP31191

KEY	PART NO.	PART NAME	QTY	SERIAL NO.	REMARKS
1	19H2960	CAP SCREW	4		3/8" X 1-3/4"
2	AT115918	UNIVERSAL JOINT CROSS	1		
3	AT158758	UNIVERSAL JOINT	1		
4	19H3239	CAP SCREW	6		3/8" X 1-1/4"
5	24M7239	WASHER	6		10.700 X 21 X 2.500 MM
6	19H2960	CAP SCREW	4		3/8" X 1-3/4"

# 1D11

## DRIVE DAMPENER AND COVER

TP19738



TP19738

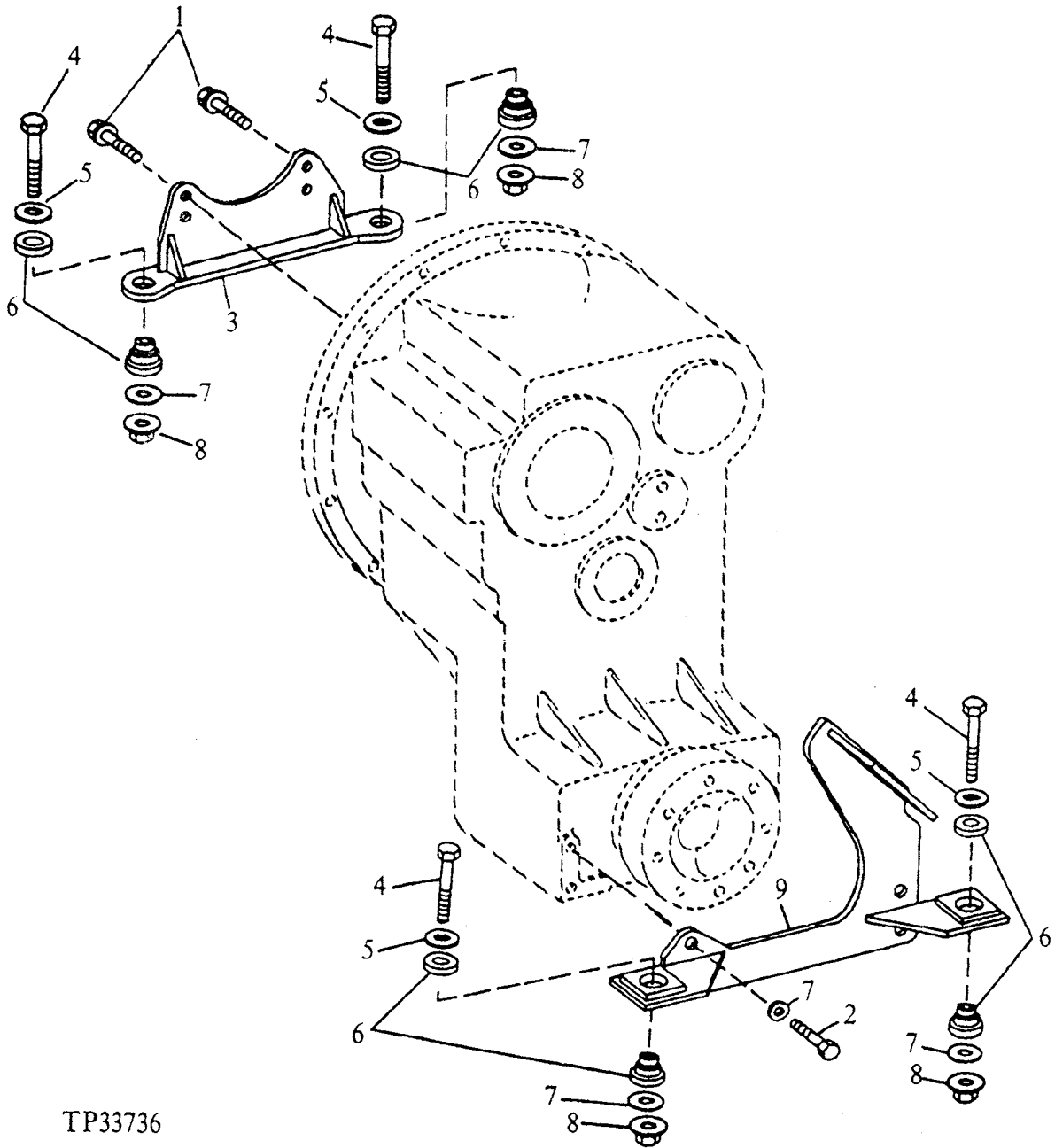
KEY	PART NO.	PART NAME	QTY	SERIAL NO.	REMARKS
1	19H1798	CAP SCREW	6		3/4" X 1-3/4"
2	24M7051	WASHER	6		21 X 37 X 3 MM
3	T101736	COVER	1		
4	AT158465	TORSIONAL DAMPENER	1		
5	24M7239	WASHER	8		10.700 X 21 X 2.500 MM
6	19H1936	CAP SCREW	8		3/8" X 3/4"

**MEMORANDA**

# 1D12

## TRANSMISSION MOUNTING BRACKETS

TP33736



# 1D13

TRANSMISSION 3

MOUNTING PARTS 0342

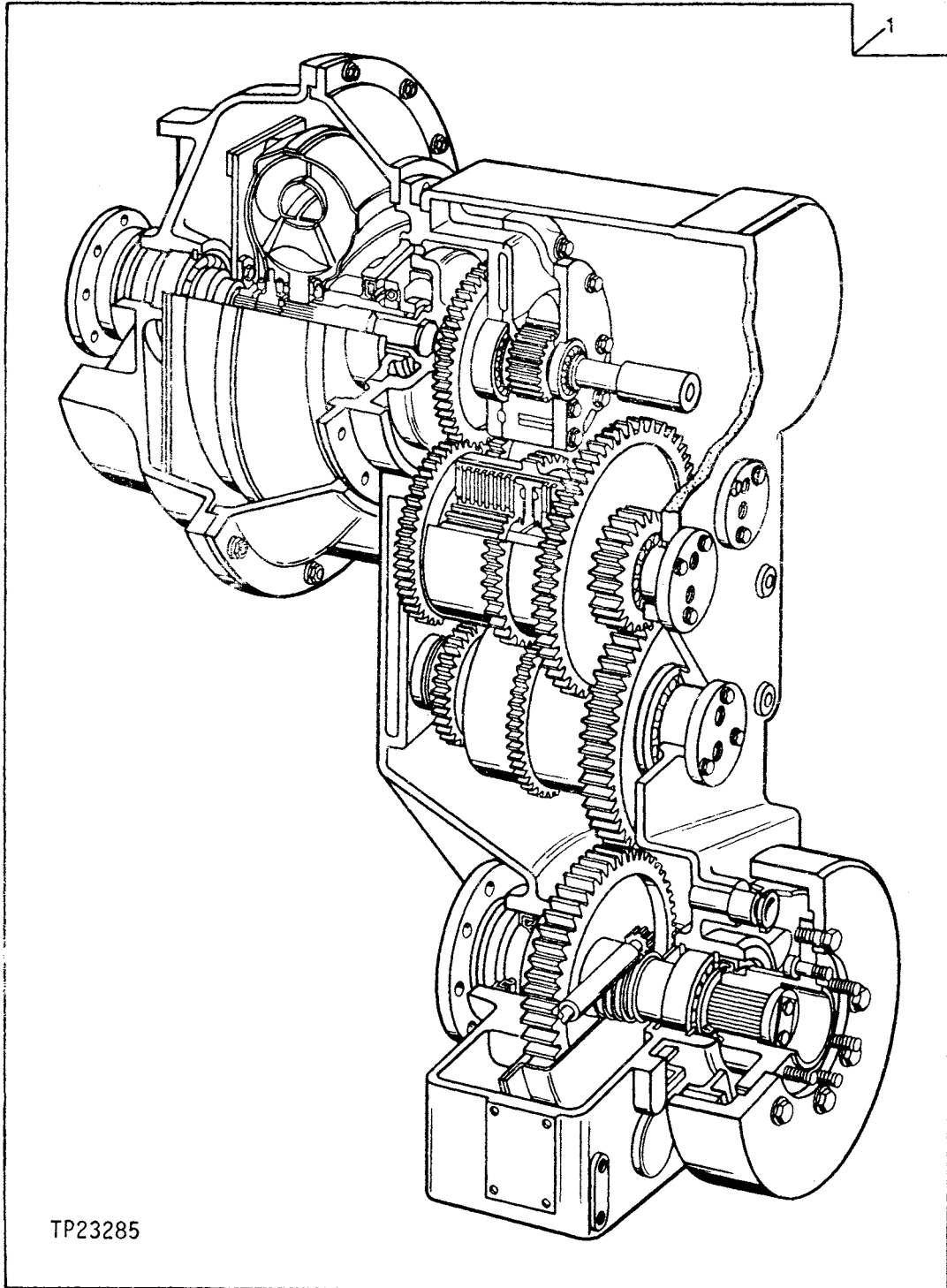
## TRANSMISSION MOUNTING BRACKETS

KEY	PART NO.	PART NAME	QTY	SERIAL NO.	REMARKS
1	19M7793	SCREW	4		M16 X 40
2	19M7950	CAP SCREW	4		M20 X 45
3	AT102934	BRACKET	1		
4	19M7883	SCREW	4		M20 X 120
5	T42977	WASHER	4		
6	AT102326	ISOLATOR	4		
7	24M7242	WASHER	4		21.400 X 42 X 5 MM
8	14M7277	NUT	8		M20
9	AT158238	BRACKET	1		

# 1D14

GEAR, SHAFTS, BEARINGS AND POWER SHIFT CLUTCH 0350  
TRANSMISSION

TP23285



# 1D15

TRANSMISSION 3

GEAR, SHAFTS, BEARINGS AND POWER SHIFT CLUTCH 0350  
**TRANSMISSION**

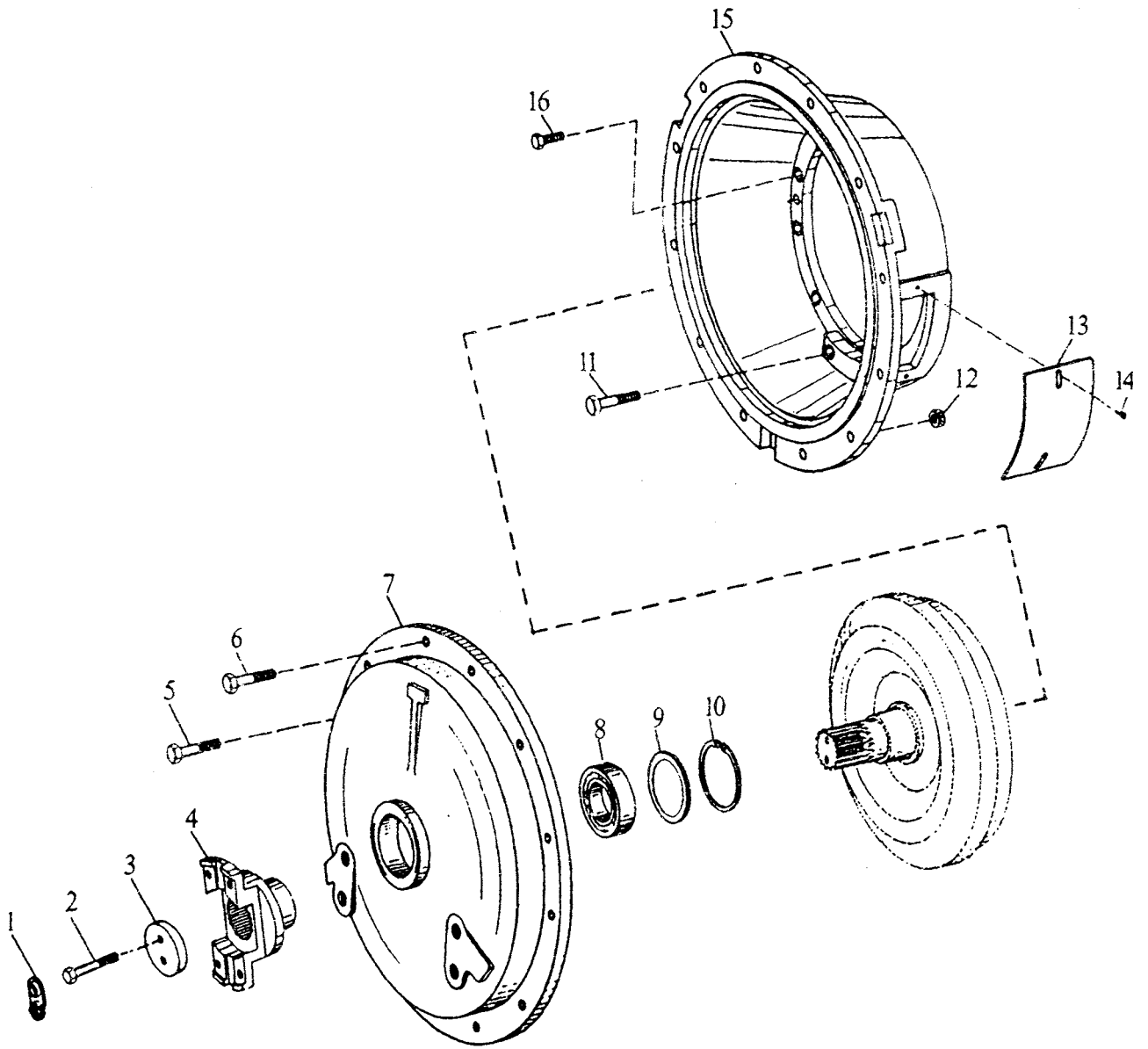
<i>KEY</i>	<i>PART NO.</i>	<i>PART NAME</i>	<i>QTY</i>	<i>SERIAL NO.</i>	<i>REMARKS</i>
1	AT159261	TRANSMISSION	1		(CONVENIENCE ASSEMBLY)



# 1D16

## GEAR, SHAFTS, BEARINGS AND POWER SHIFT CLUTCH 0350 CONVERTER HOUSING AND DRIVE

TP33693



TP33693

# 1D17

TRANSMISSION 3

GEAR, SHAFTS, BEARINGS AND POWER SHIFT CLUTCH 0350  
CONVERTER HOUSING AND DRIVE

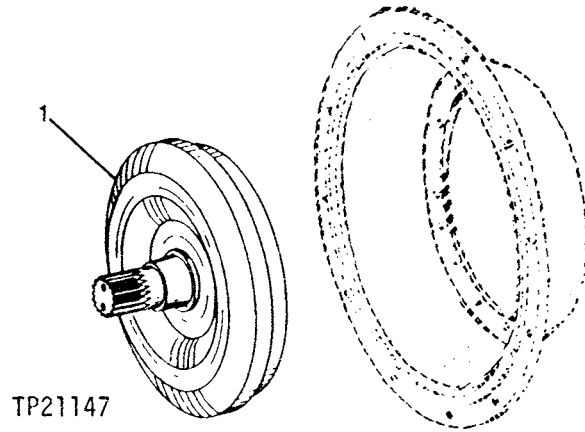
KEY	PART NO.	PART NAME	QTY	SERIAL NO.	REMARKS
1	T116613	WASHER	1		
2	19M8397	CAP SCREW	2		M8 X 50
3	T116516	WASHER	1		
4	T116614	FLANGE	1		
5	19M7179	CAP SCREW	1		M10 X 50
6	19M7180	CAP SCREW	11		M10 X 45
7	T116999	COVER	1		
8	JD9406	BALL BEARING	1		
9	T116938	SHIM	1		
	T116939	SHIM	1		
	T123090	SHIM	1		
10	40M7060	SNAP RING	1		
11	19M7658	CAP SCREW	2		M10 X 50
12	14M7274	NUT	12		M10
13	T117001	COVER	1		
14	25M7016	GROOVE PIN	2		4 X 14 MM
15	T122834	HOUSING	1		
16	19M7550	CAP SCREW	12		M10 X 35

# 1D18

TRANSMISSION 3

GEAR, SHAFTS, BEARINGS AND POWER SHIFT CLUTCH 0350  
CONVERTER

TP21147



KEY	PART NO.	PART NAME	QTY	SERIAL NO.	REMARKS
1	AT159264	CONVERTER	1		

---

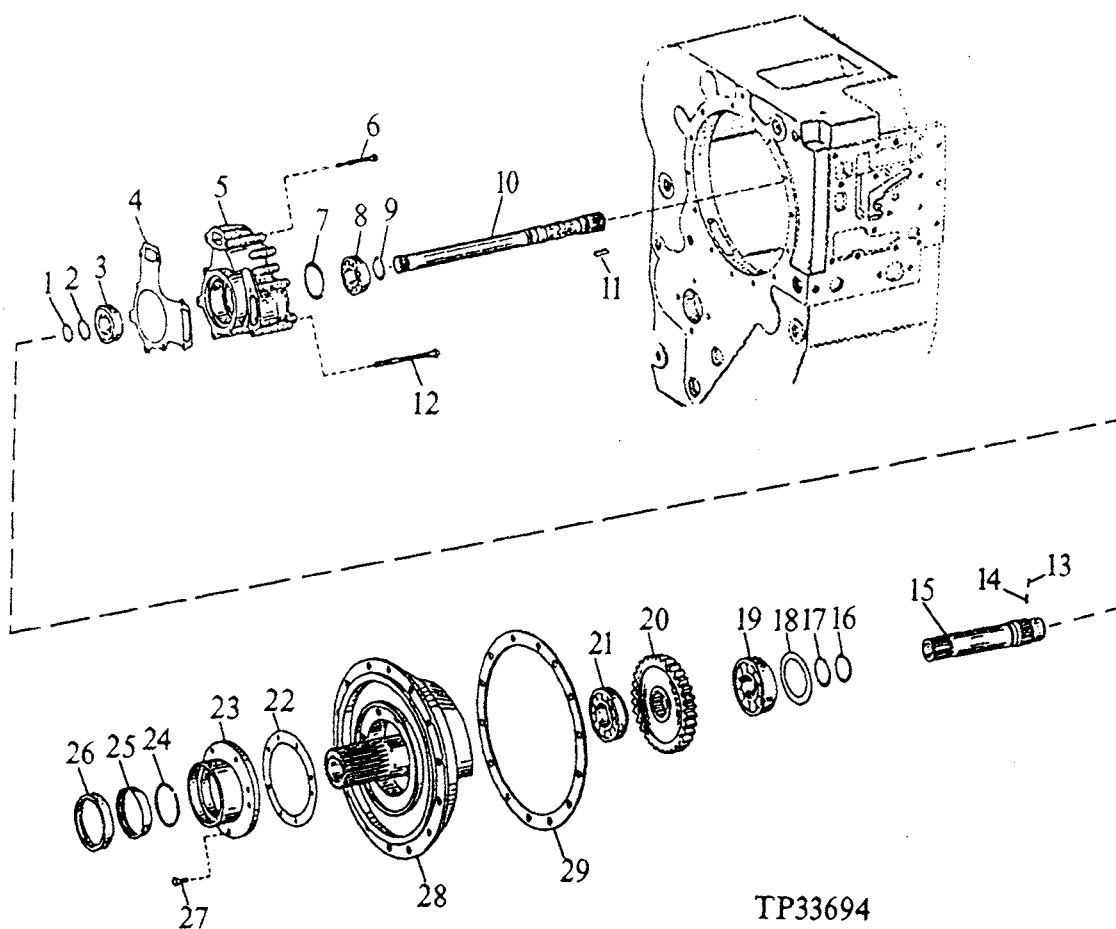
GEAR, SHAFTS, BEARINGS AND POWER SHIFT CLUTCH 0350  
**MEMORANDA**

# 1D19

TRANSMISSION 3

GEAR, SHAFTS, BEARINGS AND POWER SHIFT CLUTCH 0350  
INPUT SHAFT, HOUSING AND CHARGE PUMP

TP33694



# 1D20

TRANSMISSION 3

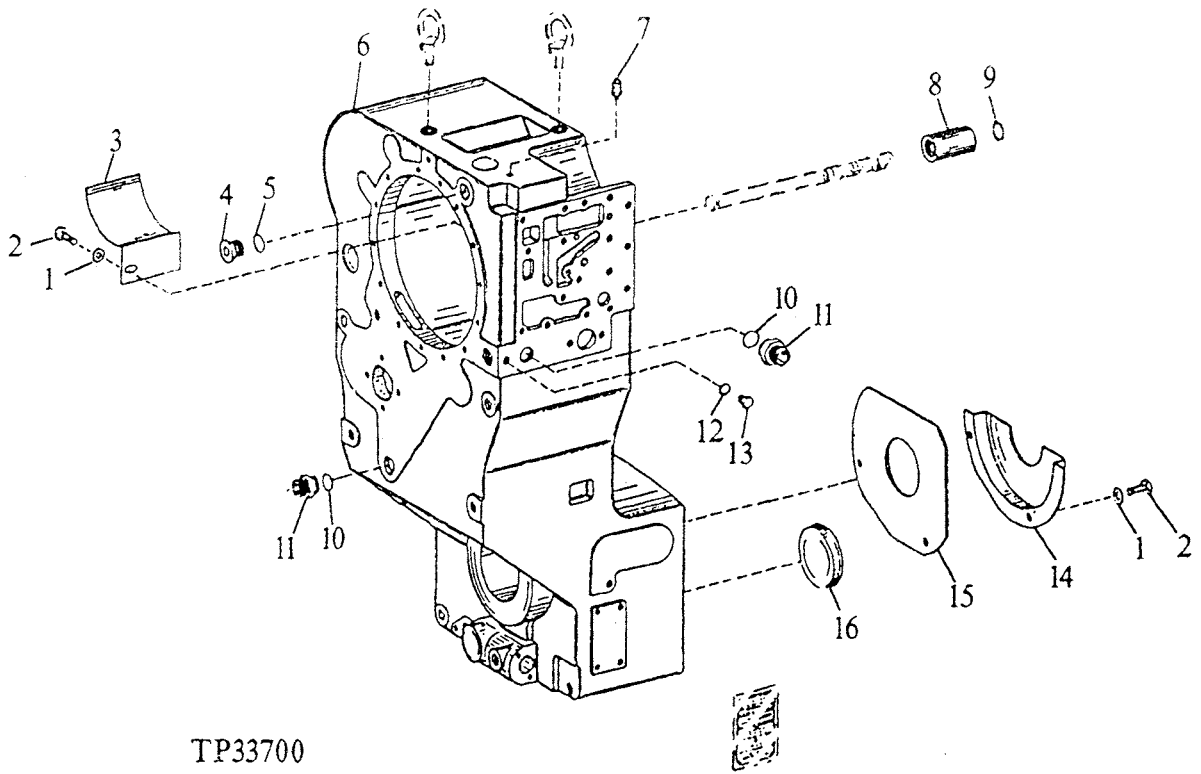
## GEAR, SHAFTS, BEARINGS AND POWER SHIFT CLUTCH 0350 INPUT SHAFT, HOUSING AND CHARGE PUMP

KEY	PART NO.	PART NAME	QTY	SERIAL NO.	REMARKS
1	T116869	PISTON RING	1		
2	40M7084	SNAP RING	2		
3	JD30213	BALL BEARING	1		
4	T131718	GASKET	1		
5	T141833	PUMP	1		
6	19M8038	CAP SCREW	4		M8 X 85
7	T144374	WASHER	AR		
	T144375	WASHER	AR		
	T144376	WASHER	AR		
	T144377	WASHER	AR		
	T144378	WASHER	AR		
	T144379	WASHER	AR		
	T144380	WASHER	AR		
	T144381	WASHER	AR		
	T144382	WASHER	AR		
	T144383	WASHER	AR		
8	JD30213	BALL BEARING	1		
9	40M7084	SNAP RING	2		
10	T131697	SHAFT	1		
11	T131696	SHAFT KEY	1		
12	A37912	BOLT	4		
13	34M7204	SPRING PIN	1		1.500 X 5 MM
14	34M7203	SPRING PIN	1		2.500 X 5 MM
15	T116969	SHAFT	1		
16	T116913	PISTON RING	1		
17	40M7058	SNAP RING	1		
18	T116938	SHIM	AR		
	T116939	SHIM	AR		
	T116937	SHIM	AR		
	T116936	SHIM	AR		
	T116935	SHIM	AR		
	T116934	SHIM	AR		
	T116933	SHIM	AR		
	T116932	SHIM	AR		
	T116931	SHIM	AR		
	T116930	SHIM	AR		
	T116929	WASHER	AR		
19	JD7155	BALL BEARING	1		
20	T131688	GEAR	1		
21	JD10242	ROLLER BEARING	1		
22	T131713	GASKET	1		
23	T116529	COVER	1		
24	T116495	SCRAPER RING	1		
25	T116498	NEEDLE BEARING	1		
26	T116502	SEAL	1		
27	19M7288	CAP SCREW	8		M8 X 30
28	AT108324	FLANGE	1		
29	T131719	GASKET	1		

# 1D21

## GEAR, SHAFTS, BEARINGS AND POWER SHIFT CLUTCH 0350 GEARBOX HOUSING

TP33700



# 1D22

TRANSMISSION 3

GEAR, SHAFTS, BEARINGS AND POWER SHIFT CLUTCH 0350  
**GEARBOX HOUSING**

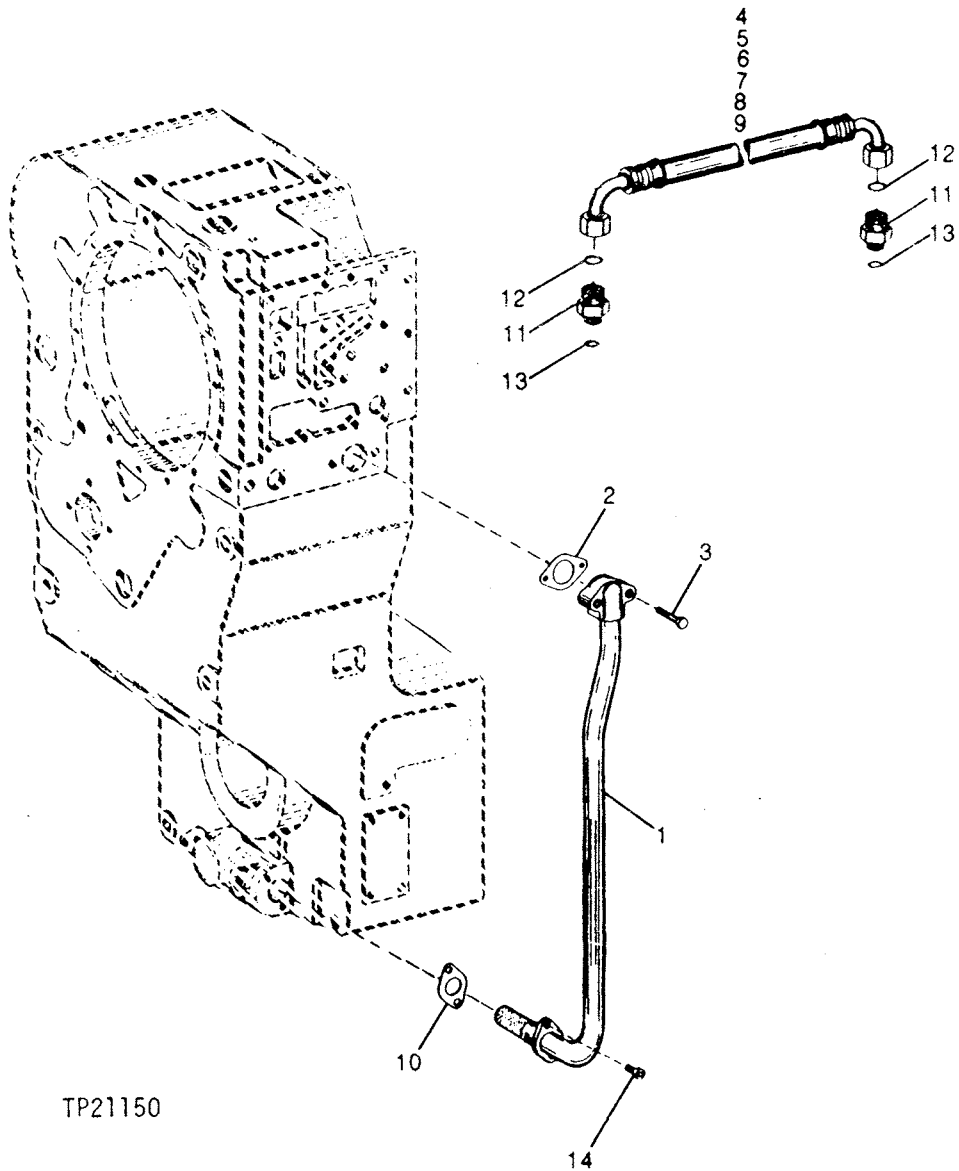
KEY	PART NO.	PART NAME	QTY	SERIAL NO.	REMARKS
1	24M7238	WASHER	3		8.700 X 17 X 2 MM
2	T144394	SCREW	3		
3	T116966	SHEET	1		
4	15M7027	DRAIN PLUG	1		
5	L55601	O-RING	1		
6	T143371	HOUSING	1		
7	T116918	BREATHER	1		
8	T116598	DRIVER	1		
9	40M7181	SNAP RING	1		
10	L40275	O-RING	2		
11	T116569	ADAPTER	2		
12	T74553	O-RING	1		
13	15M7020	DRAIN PLUG	1		
14	T116968	COVER	1		
15	T116964	COVER	1		
16	T108478	CAP	2		



# 1D23

GEAR, SHAFTS, BEARINGS AND POWER SHIFT CLUTCH 0350  
OIL SUCTION PIPES

TP21150



TP21150

# 1D24

TRANSMISSION 3

GEAR, SHAFTS, BEARINGS AND POWER SHIFT CLUTCH 0350  
OIL SUCTION PIPES

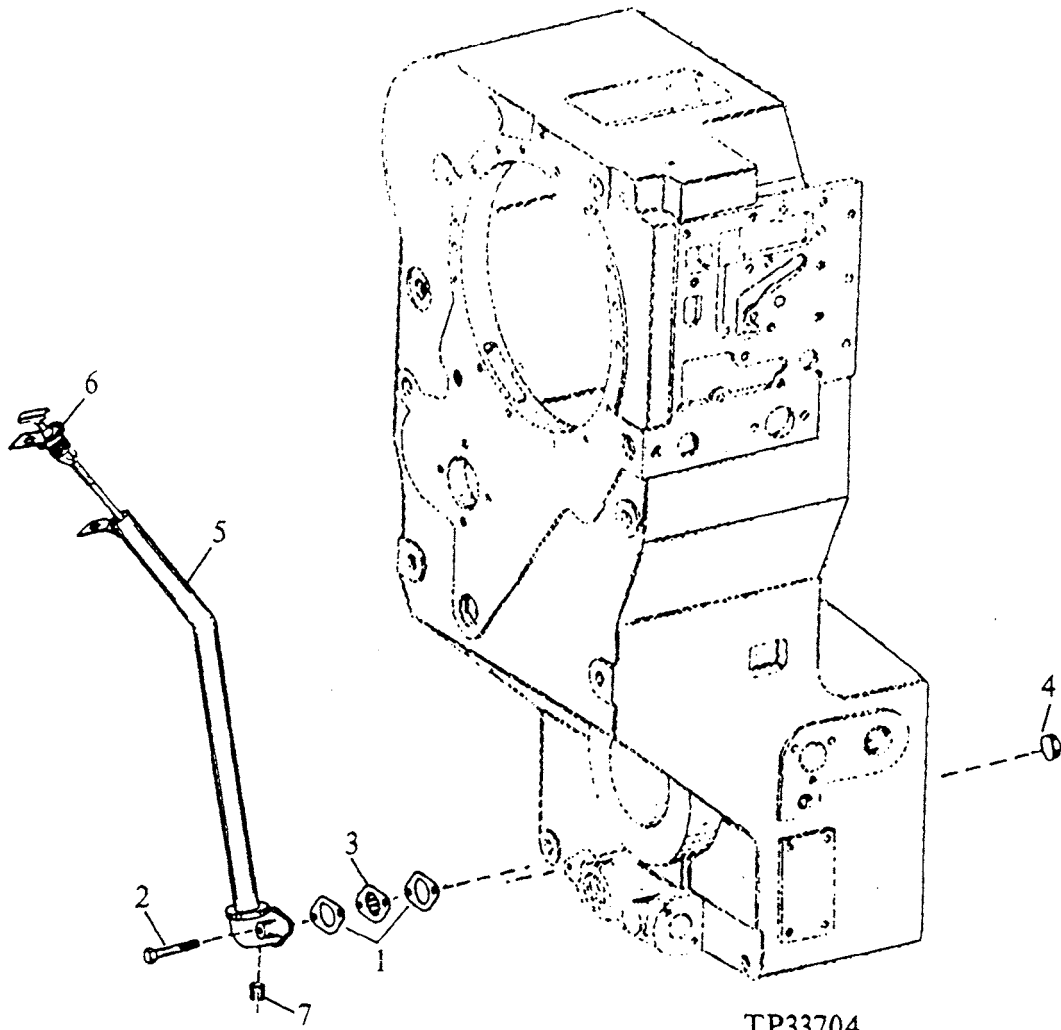
KEY	PART NO.	PART NAME	QTY	SERIAL NO.	REMARKS
1	AT108319	OIL TUBE	1		
2	T131720	GASKET	1		
3	19M7269	CAP SCREW	2		M8 X 50
4	AT108306	HOSE	1		FORWARD
5	AT159244	HYDRAULIC HOSE	1		REVERSE
6	AT159245	HYDRAULIC HOSE	1		FIRST GEAR
7	AT159245	HYDRAULIC HOSE	1		SECOND GEAR
8	AT108306	HOSE	1		THIRD GEAR
9	AT108306	HOSE	1		FOURTH GEAR
10	T116604	GASKET	1		
11	T144544	ADAPTER	12		
12	R76617	O-RING	12		
13	T74552	O-RING	12		
14	19M8024	SCREW	2		M8 X 30

# 1E01

TRANSMISSION 3

GEAR, SHAFTS, BEARINGS AND POWER SHIFT CLUTCH 0350  
FILLER TUBE AND DIPSTICK

TP33704



TP33704

# 1E02

TRANSMISSION 3

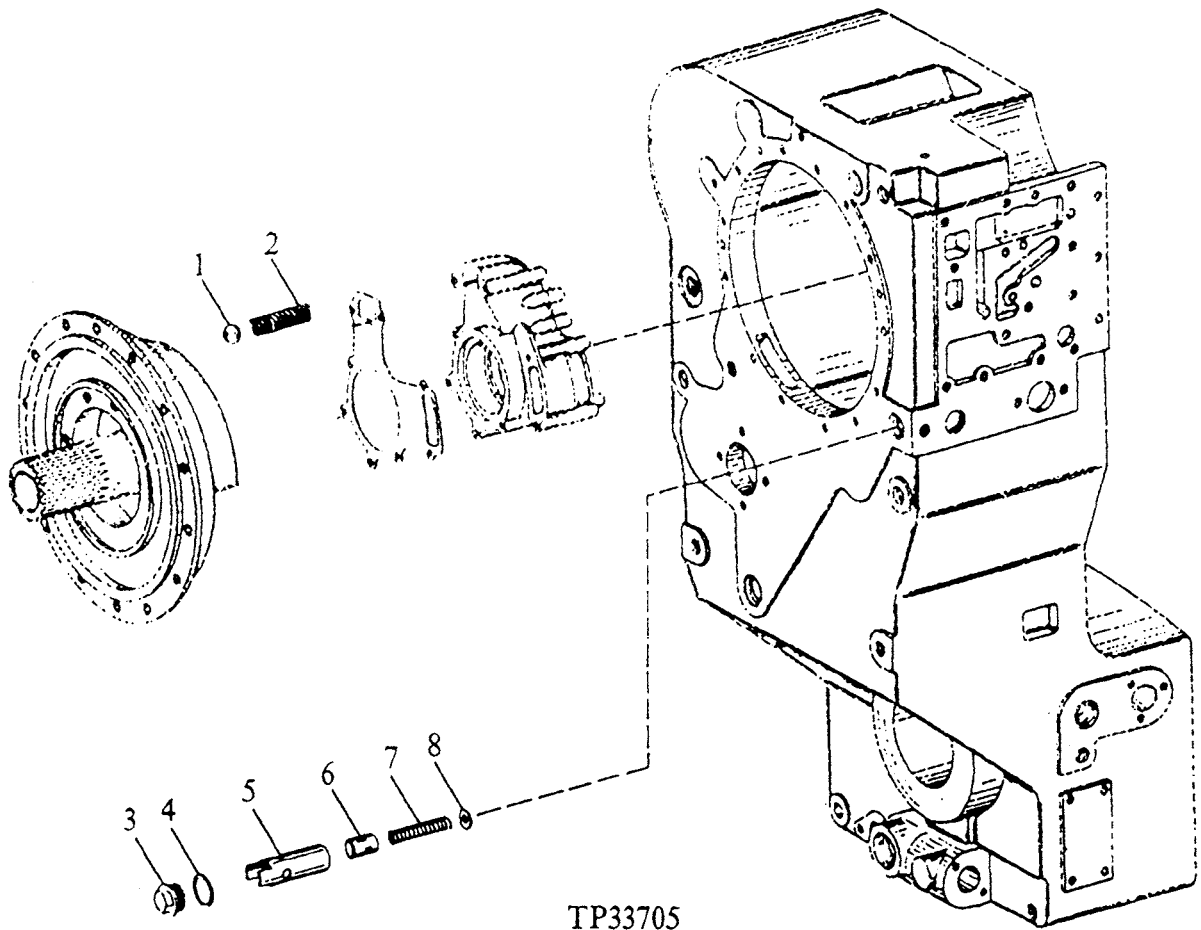
GEAR, SHAFTS, BEARINGS AND POWER SHIFT CLUTCH 0350  
FILLER TUBE AND DIPSTICK

KEY	PART NO.	PART NAME	QTY	SERIAL NO.	REMARKS
1	T116604	GASKET	2		
2	19M7162	CAP SCREW	2		M8 X 16
3	T116605	PLATE	1		
4	30M7023	CAP	1		
5	T116962	OIL TUBE	1		
6	T123938	DIPSTICK	1		
7	T116450	FITTING PLUG	1		

# 1E03

## GEAR, SHAFTS, BEARINGS AND POWER SHIFT CLUTCH 0350 CONVERTER PRESSURE REGULATOR

TP33705



# 1E04

TRANSMISSION 3

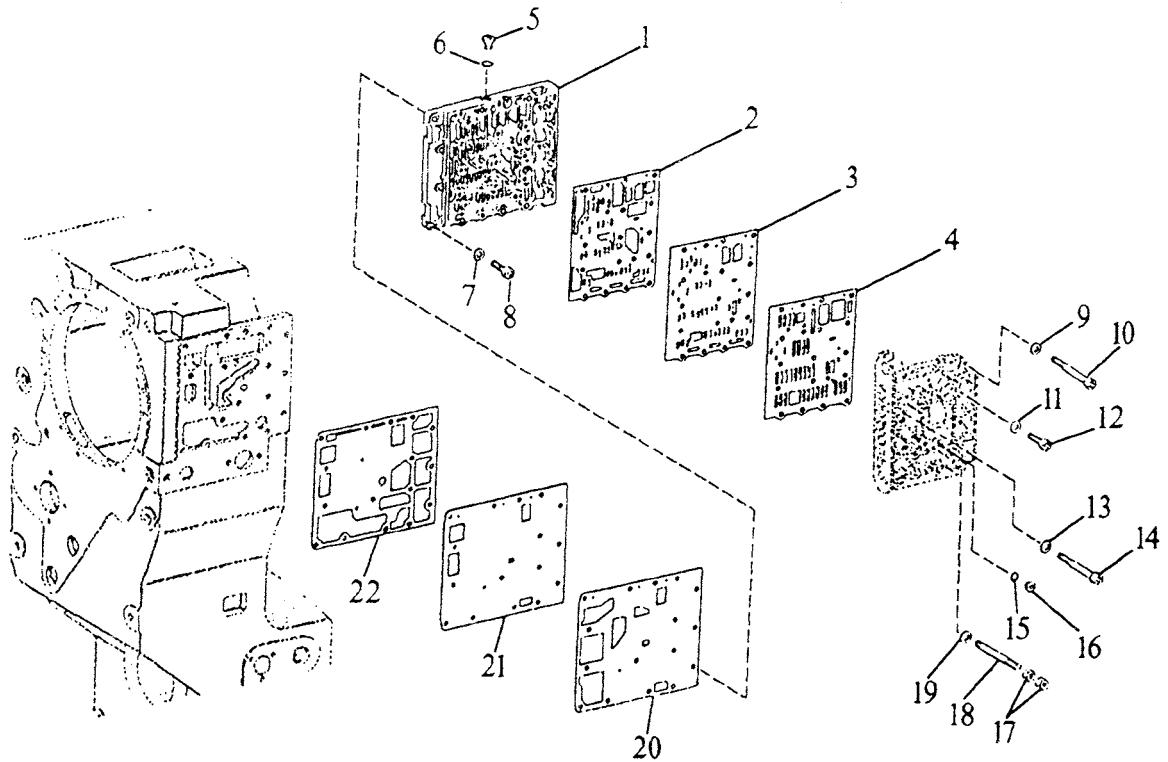
GEAR, SHAFTS, BEARINGS AND POWER SHIFT CLUTCH 0350  
**CONVERTER PRESSURE REGULATOR**

KEY	PART NO.	PART NAME	QTY	SERIAL NO.	REMARKS
1	L38752	BALL	1		
2	T116488	COMPRESSION SPRING	1		
3	15M7065	FITTING	1		
4	L55601	O-RING	1		
5	T143367	SLEEVE	1		
6	T143366	PISTON	1		
7	T143368	COMPRESSION SPRING	1		
8	T143365	WASHER	1		

# 1E05

GEAR, SHAFTS, BEARINGS AND POWER SHIFT CLUTCH 0350  
**GEARSHIFT SYSTEM  
(CONTROL VALVE PLATE AND GASKET)**

TP33706



TP33706

# 1E06

TRANSMISSION 3

## GEAR, SHAFTS, BEARINGS AND POWER SHIFT CLUTCH 0350 GEARSHIFT SYSTEM (CONTROL VALVE PLATE AND GASKET)

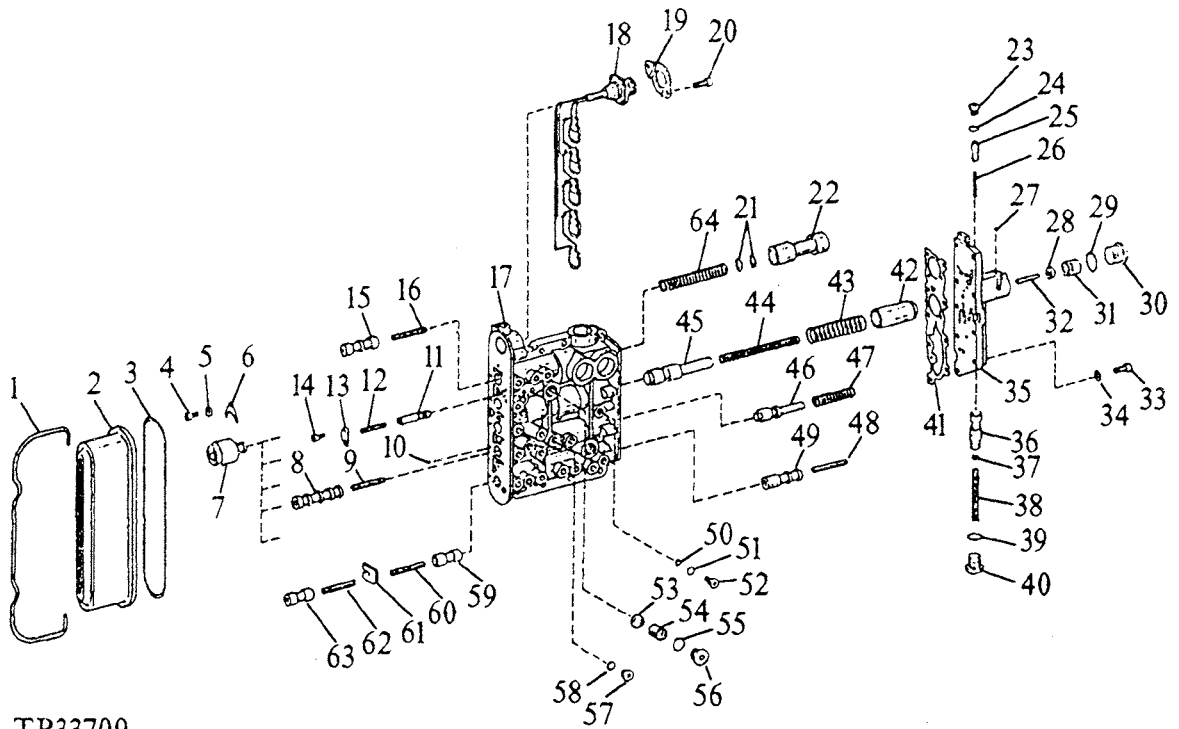
KEY	PART NO.	PART NAME	QTY	SERIAL NO.	REMARKS
1	T144450	PLATE	1		
2	T144454	GASKET	1		
3	T144455	PLATE	1		
4	T144456	GASKET	1		
5	R53869	DRAIN PLUG	1		
6	T116416	O-RING	1		
7	24M7095	WASHER	11		8.400 X 15 X 1.600 MM
8	19M2724	SCREW	11		M8 X 35
9	24M7095	WASHER	4		8.400 X 15 X 1.600 MM
10	19M8554	SCREW	4		
11	24M7095	WASHER	11		8.400 X 15 X 1.600 MM
12	19M8274	SCREW	11		M8 X 35
13	24M7095	WASHER	1		8.400 X 15 X 1.600 MM
14	19M8658	SCREW	1		M8 X 60
15	T116416	O-RING	1		
16	R53869	DRAIN PLUG	1		
17	14M7273	NUT	2		M8
18	42M6421	STUD	1		
19	24M7095	WASHER	1		8.400 X 15 X 1.600 MM
20	T144449	GASKET	1		
21	T144448	PLATE	1		
22	T144447	GASKET	1		



# 1E07

## GEAR, SHAFTS, BEARINGS AND POWER SHIFT CLUTCH 0350 GEARSHIFT SYSTEM (CONTROL VALVE)

TP33709



TP33709

# 1E08

TRANSMISSION 3

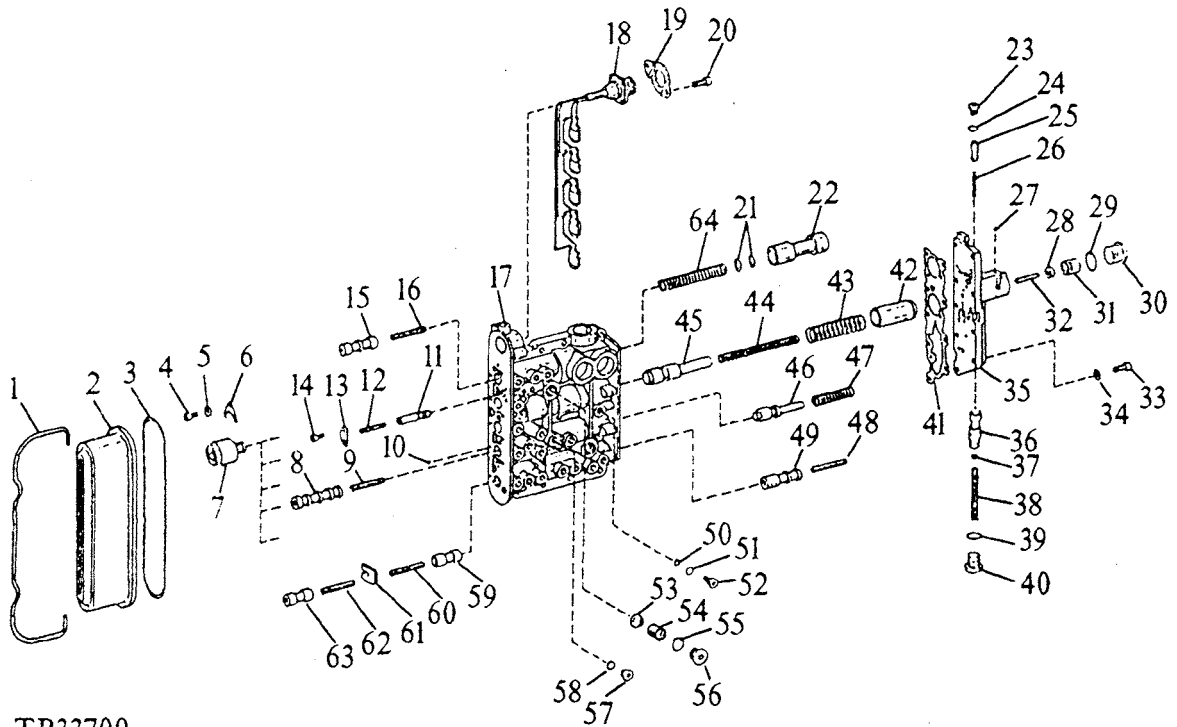
GEAR, SHAFTS, BEARINGS AND POWER SHIFT CLUTCH 0350  
**GEARSHIFT SYSTEM  
 (CONTROL VALVE)**

KEY	PART NO.	PART NAME	QTY	SERIAL NO.	REMARKS
1	T144492	CLAMP	1		
2	T144490	COVER	1		
3	TH100665	O-RING	1		
4	19M7600	SCREW	5		M5 X 12
5	T144487	WASHER	5		
6	T144486	PLATE	5		
7	AT159224	VALVE	5		
8	T144479	PISTON	1		
9	T144475	COMPRESSION SPRING	1		
10	T144485	BALL	10		
11	T144481	VALVE	1		
12	T144482	COMPRESSION SPRING	1		
13	T144483	PLATE	1		
14	19M6415	SCREW	2		M5 X 10
15	T144480	PISTON	1		
16	T144475	COMPRESSION SPRING	1		
17	T144460	HOUSING	1		
18	AT159227	WIRING HARNESS	1		
19	T144489	PLATE	1		
20	19M7768	SCREW	2		M6 X 16
21	24M7388	SHIM	2		1 MM
22	T144462	PISTON	1		
23	15M6550	FITTING	1		
24	T144511	O-RING	1		
25	T144508	PISTON	1		
26	T144509	COMPRESSION SPRING	1		
27	T144485	BALL	5		
28	T144503	RING	AR		
	T144504	RING	AR		
	T144505	RING	AR		
	T144506	RING	AR		
	T144507	RING	AR		
29	R73821	O-RING	1		
30	15M7066	DRAIN PLUG	1		
31	T144500	PISTON	1		
	T144501	PISTON	1		
32	T144502	ROLLER	1		
33	19M8627	SCREW	9		M6 X 20
34	24M7267	WASHER	9		6.400 X 11 X 1.600 MM
35	T144496	HOUSING	1		
36	T144512	PISTON	1		
37	T144513	SHIM	5		
38	T116910	COMPRESSION SPRING	1		
39	15M7025	DRAIN PLUG	1		
40	R104558	RING	1		
41	T144478	GASKET	1		
42	T144471	PISTON	1		
43	T144469	COMPRESSION SPRING	1		
44	T144470	COMPRESSION SPRING	1		
45	T144468	PISTON	1		

# 1E09

## GEAR, SHAFTS, BEARINGS AND POWER SHIFT CLUTCH 0350 GEARSHIFT SYSTEM (CONTROL VALVE)

TP33709



TP33709

# 1E10

TRANSMISSION 3

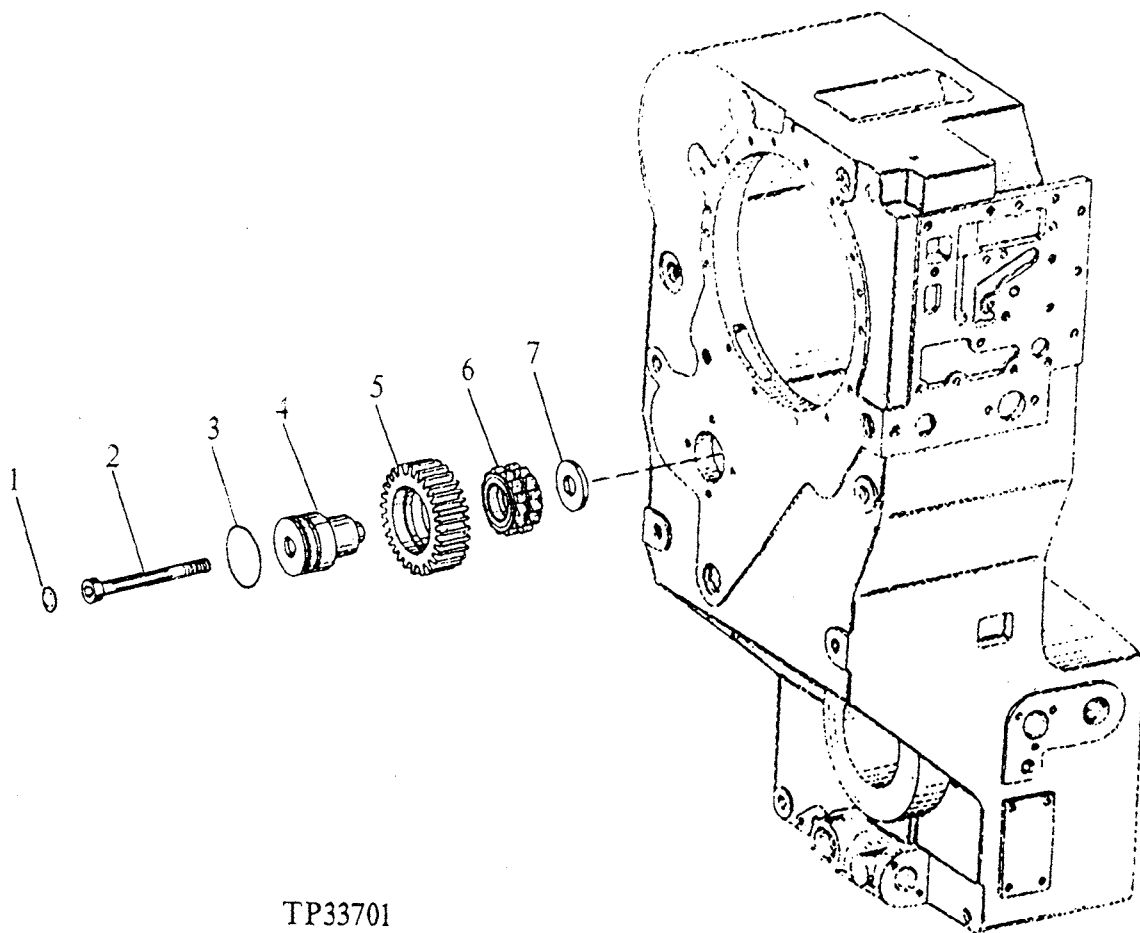
GEAR, SHAFTS, BEARINGS AND POWER SHIFT CLUTCH 0350  
**GEARSHIFT SYSTEM  
(CONTROL VALVE)**

KEY	PART NO.	PART NAME	QTY	SERIAL NO.	REMARKS
46	T144472	PISTON	1		
47	T144473	COMPRESSION SPRING	1		
48	T144475	COMPRESSION SPRING	1		
49	T144477	PISTON	1		
50	T144467	O-RING	1		
51	T116416	O-RING	1		
52	T144464	ORIFICE	1		
	T144465	ORIFICE	1		
	T144466	ORIFICE	1		
53	T144493	BALL	2		
54	T144494	COMPRESSION SPRING	2		
55	R104558	RING	2		
56	15M7025	DRAIN PLUG	2		
57	R53869	DRAIN PLUG	7		
58	T116416	O-RING	7		
59	R54013	O-RING	1		
60	T144475	COMPRESSION SPRING	1		
61	T144474	PLATE	1		
62	T144475	COMPRESSION SPRING	1		
63	R54013	O-RING	1		
64	T144461	COMPRESSION SPRING	1		

# 1E11

## GEAR, SHAFTS, BEARINGS AND POWER SHIFT CLUTCH 0350 FOURTH GEAR IDLER AND SHAFT

TP33701



TP33701

# 1E12

TRANSMISSION 3

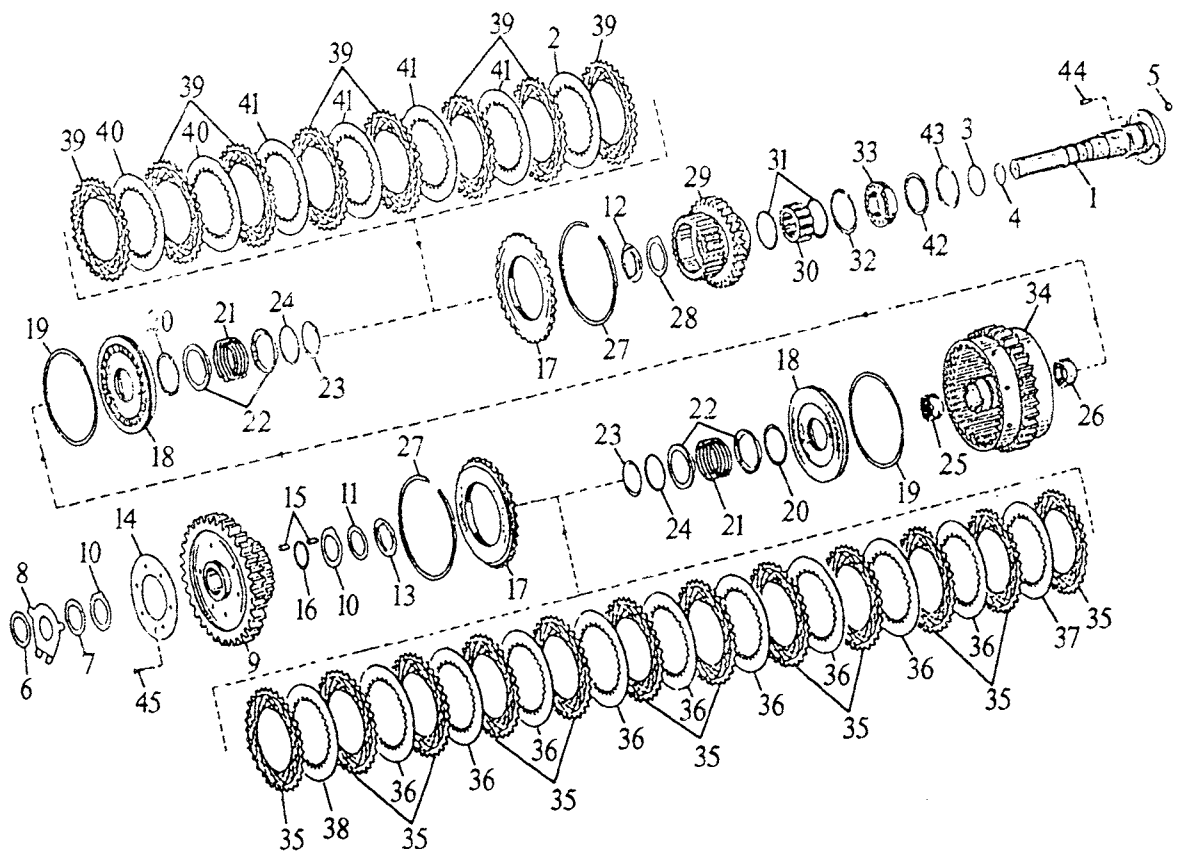
GEAR, SHAFTS, BEARINGS AND POWER SHIFT CLUTCH 0350  
**FOURTH GEAR IDLER AND SHAFT**

KEY	PART NO.	PART NAME	QTY	SERIAL NO.	REMARKS
1	T143442	CAP	1		
2	19M8693	SCREW	1		M12 X 100
3	T116865	O-RING	1		
4	T141437	AXLE	1		
5	T141436	GEAR	1		
6	AT140201	NEEDLE ROLLER	1		
7	T141438	THRUST WASHER	1		

# 1E13

GEAR, SHAFTS, BEARINGS AND POWER SHIFT CLUTCH 0350  
**CLUTCH ASSEMBLY**  
(FORWARD AND FIRST GEAR CLUTCHES)

TP33715



TP33715

# 1E14

TRANSMISSION 3

## GEAR, SHAFTS, BEARINGS AND POWER SHIFT CLUTCH 0350 CLUTCH ASSEMBLY (FORWARD AND FIRST GEAR CLUTCHES)

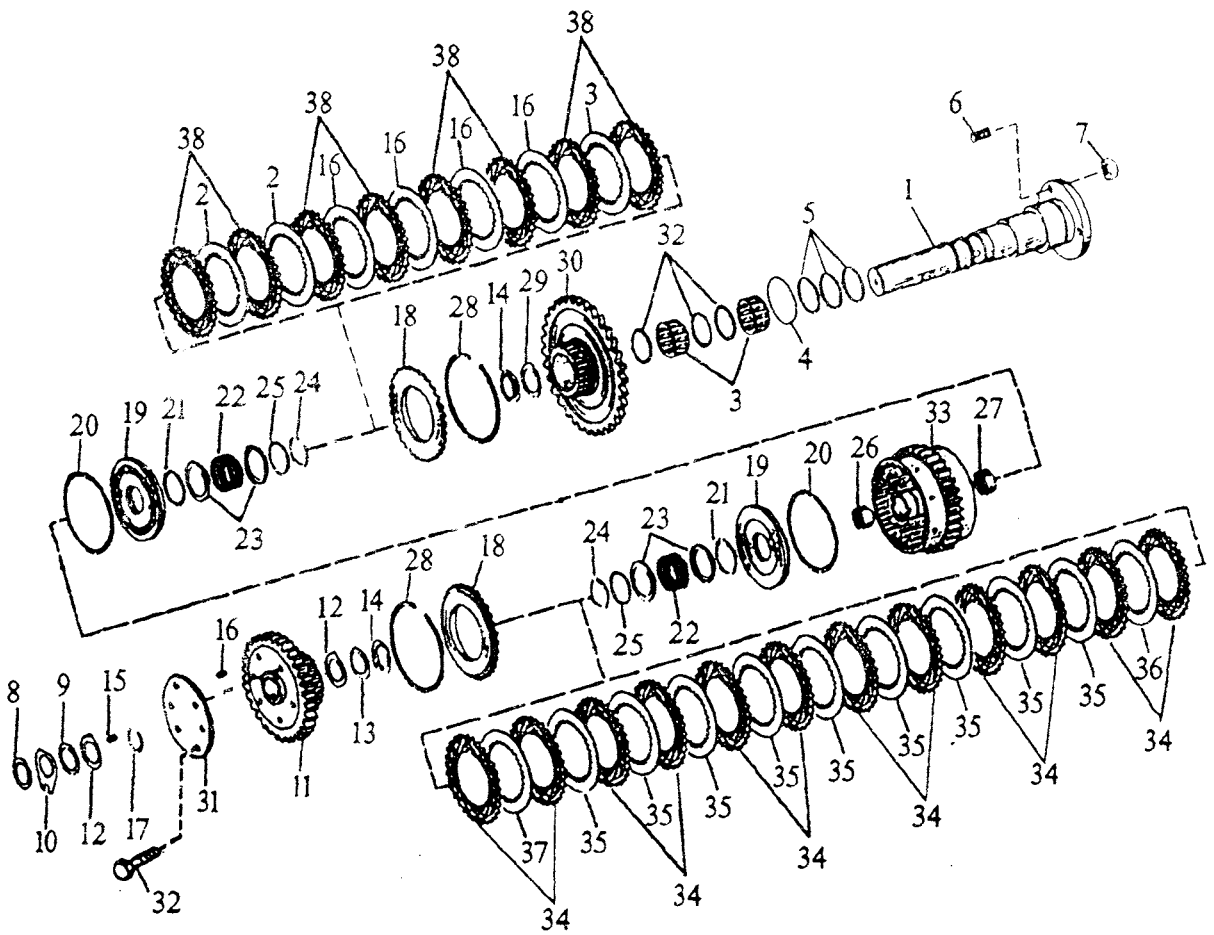
KEY	PART NO.	PART NAME	QTY	SERIAL NO.	REMARKS
1	T142856	AXLE	1		
2	T116982	CLUTCH DISK	1		2.5 MM (.098")
	T116981	CLUTCH DISK	1		2.0 MM (.079")
3	T143420	O-RING	1		
4	T116497	PISTON RING	3		
5	14M7273	NUT	2		M8
6	T116664	SHIM	AR		0.2 MM (.008")
	T116665	SHIM	AR		0.4 MM (.016")
	T116666	SHIM	AR		0.6 MM (.024")
	T116667	SHIM	AR		0.8 MM (.031")
	T116668	SHIM	AR		1.0 MM (.039")
	T116669	SHIM	AR		1.2 MM (.047")
	T116670	SHIM	AR		1.4 MM (.055")
	T116671	SHIM	AR		1.6 MM (.063")
	T116672	SHIM	AR		1.8 MM (.071")
	T116673	SHIM	AR		2.0 MM (.079")
	T116674	SHIM	AR		2.2 MM (.087")
	T116675	SHIM	AR		2.8 MM (.094")
	T116676	SHIM	AR		2.6 MM (.102")
	T116677	SHIM	AR		2.8 MM (.110")
7	T116475	THRUST WASHER	1		
8	T142830	THRUST WASHER	1		
9	T131690	SPUR GEAR	1		(63 TEETH)
10	T116979	THRUST WASHER	2		
11	T116908	THRUST WASHER	1		
12	T116587	THRUST WASHER	1		
13	T116587	THRUST WASHER	1		
14	T131700	PLATE	1		
15	AT157977	ROLLER	1		(MATCHED SET)
16	T116980	WASHER	1		
17	T116977	SHIM	2		
18	T116986	PISTON	2		
19	T116912	SEAL	2		
20	T144404	RING	2		
21	T116486	COMPRESSION SPRING	2		
22	T116579	GUIDE	4		
23	T116400	RING	2		
24	T116580	GUIDE	2		
25	T116871	NEEDLE BEARING	1		
26	T116872	NEEDLE BEARING	1		
27	T116909	SNAP RING	2		
28	T116470	THRUST WASHER	1		
29	T142852	SPUR GEAR	1		
30	T116914	ROLLER BEARING	1		
31	T116858	RING	2		
32	40M5099	SNAP RING	1		
33	JD8510	BEARING	1		
34	T144408	DISK	1		
35	T122806	CLUTCH DISK	12		2.0 MM (.079")
36	T116981	CLUTCH DISK	9		2.0 MM (.079")
37	T116982	CLUTCH DISK	1		2.5 MM (.098")
38	T116981	CLUTCH DISK	1		2.0 MM (.079")
	T116982	CLUTCH DISK	1		2.5 MM (.098")
39	T122806	CLUTCH DISK	8		2.0 MM (.079")
40	T116982	CLUTCH DISK	2		2.5 MM (.098")
41	T116981	CLUTCH DISK	4		2.0 MM (.079")
42	24M7377	SHIM	AR		0.300 MM, 0.3 MM (.011")
	24M7214	SHIM	AR		0.500 MM, 0.5 MM (.019")
	24M7378	SHIM	AR		1 MM, 1.0 MM (.039")
	24M7379	SHIM	AR		1.200 MM, 1.2 MM (.047")
	24M7380	SHIM	AR		1.500 MM, 1.5 MM (.059")
	24M7381	SHIM	AR		1.600 MM
	24M7387	SHIM	AR		0.900 MM
43	40M5099	SNAP RING	1		
44	42M7045	STUD	2		
45	TH104056	BOLT	6		



# 1E15

## GEAR, SHAFTS, BEARINGS AND POWER SHIFT CLUTCH 0350 CLUTCH ASSEMBLY (REVERSE AND SECOND GEAR CLUTCHES)

TP33717



TP33717

# 1E16

TRANSMISSION 3

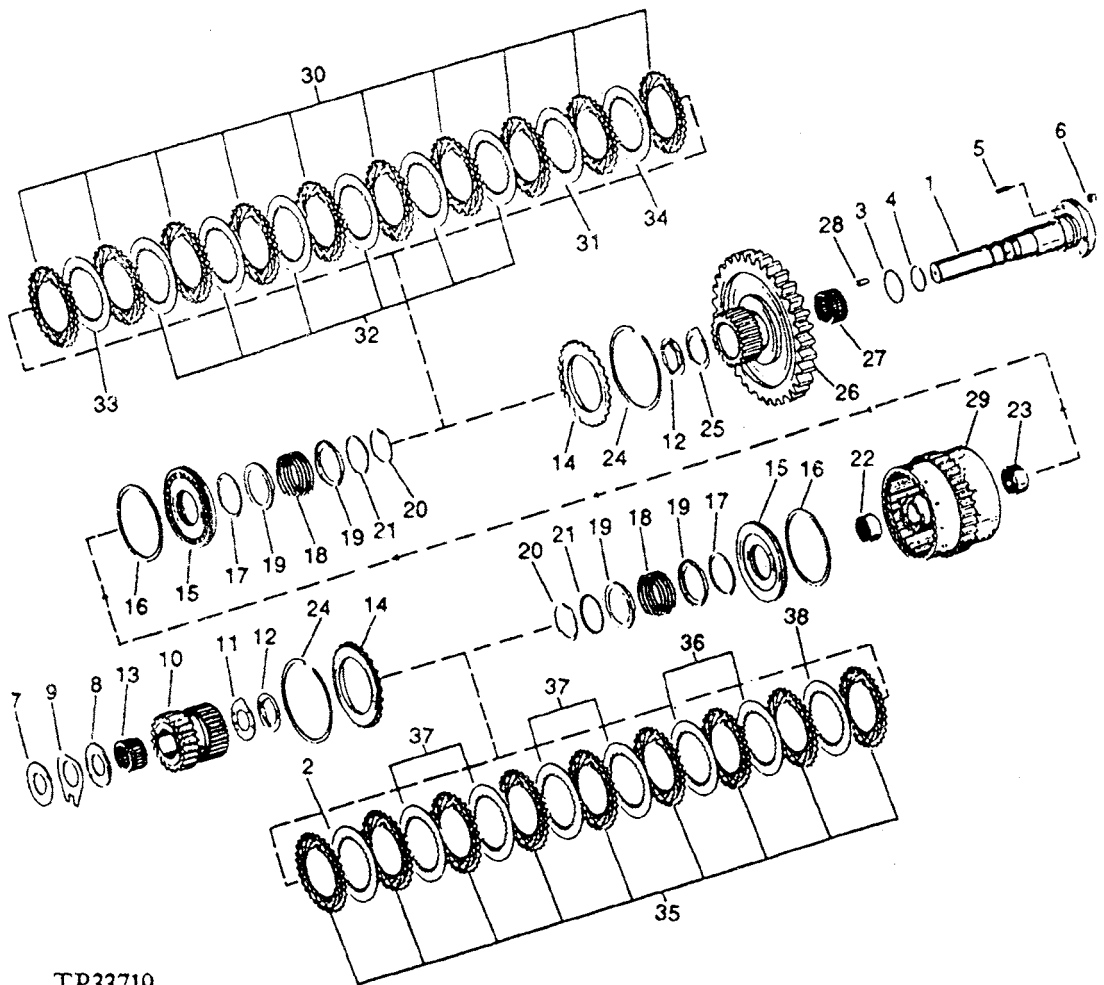
GEAR, SHAFTS, BEARINGS AND POWER SHIFT CLUTCH 0350  
**CLUTCH ASSEMBLY**  
**(REVERSE AND SECOND GEAR CLUTCHES)**

KEY	PART NO.	PART NAME	QTY	SERIAL NO.	REMARKS
1	T142857	AXLE	1		
2	T116982	CLUTCH DISK	2		2.5 MM (.098")
3	T116981	CLUTCH DISK	1		2.0 MM (.079")
	T116982	CLUTCH DISK	1		2.5 MM (.098")
4	T143420	O-RING	1		
5	T116497	PISTON RING	3		
6	42M7045	STUD	3		
7	14M7273	NUT	3		
8	T116664	SHIM	AR		0.2 MM (.008")
	T116665	SHIM	AR		0.4 MM (.016")
	T116666	SHIM	AR		0.6 MM (.024")
	T116667	SHIM	AR		0.8 MM (.031")
	T116668	SHIM	AR		1.0 MM (.039")
	T116669	SHIM	AR		1.2 MM (.047")
	T116670	SHIM	AR		1.4 MM (.055")
	T116671	SHIM	AR		1.6 MM (.063")
	T116672	SHIM	AR		1.8 MM (.071")
	T116673	SHIM	AR		2.0 MM (.079")
	T116674	SHIM	AR		2.2 MM (.087")
	T116675	SHIM	AR		2.4 MM (.094")
	T116676	SHIM	AR		2.6 MM (.102")
	T116677	SHIM	AR		2.8 MM (.110")
9	T116475	THRUST WASHER	1		
10	T116540	THRUST WASHER	1		
11	T131690	SPUR GEAR	1		(63 TEETH)
12	T116979	THRUST WASHER	2		
13	T116908	THRUST WASHER	1		
14	T116587	THRUST WASHER	2		
15	AT157977	ROLLER	1		(MATCHED SET)
16	T116981	CLUTCH DISK	4		2.0 MM (.079")
17	T116980	WASHER	1		
18	T116977	SHIM	2		
19	T116986	PISTON	2		
20	T116912	SEAL	2		
21	T144404	RING	2		
22	T116486	COMPRESSION SPRING	2		
23	T116579	GUIDE	4		
24	T116400	RING	2		
25	T116580	GUIDE	2		
26	T116871	NEEDLE BEARING	1		
27	T116872	NEEDLE BEARING	1		
28	T116909	SNAP RING	2		
29	T116476	THRUST WASHER	1		
30	T144418	GEAR	1		
31	T131700	PLATE	1		
32	TH104056	BOLT	6		
33	T144416	DISK	1		
34	T122806	CLUTCH DISK	12		2.0 MM (.079")
35	T116981	CLUTCH DISK	9		2.0 MM (.079")
36	T116982	CLUTCH DISK	1		2.5 MM (.098")
37	T116981	CLUTCH DISK	1		2.0 MM (.079")
	T116982	CLUTCH DISK	1		2.5 MM (.098")
38	T122806	CLUTCH DISK	8		2.0 MM (.079")

# 1E17

## GEAR, SHAFTS, BEARINGS AND POWER SHIFT CLUTCH 0350 CLUTCH ASSEMBLY (THIRD AND FOURTH GEAR)

TP33719



TP33719

# 1E18

TRANSMISSION 3

GEAR, SHAFTS, BEARINGS AND POWER SHIFT CLUTCH 0350  
**CLUTCH ASSEMBLY**  
**(THIRD AND FOURTH GEAR)**

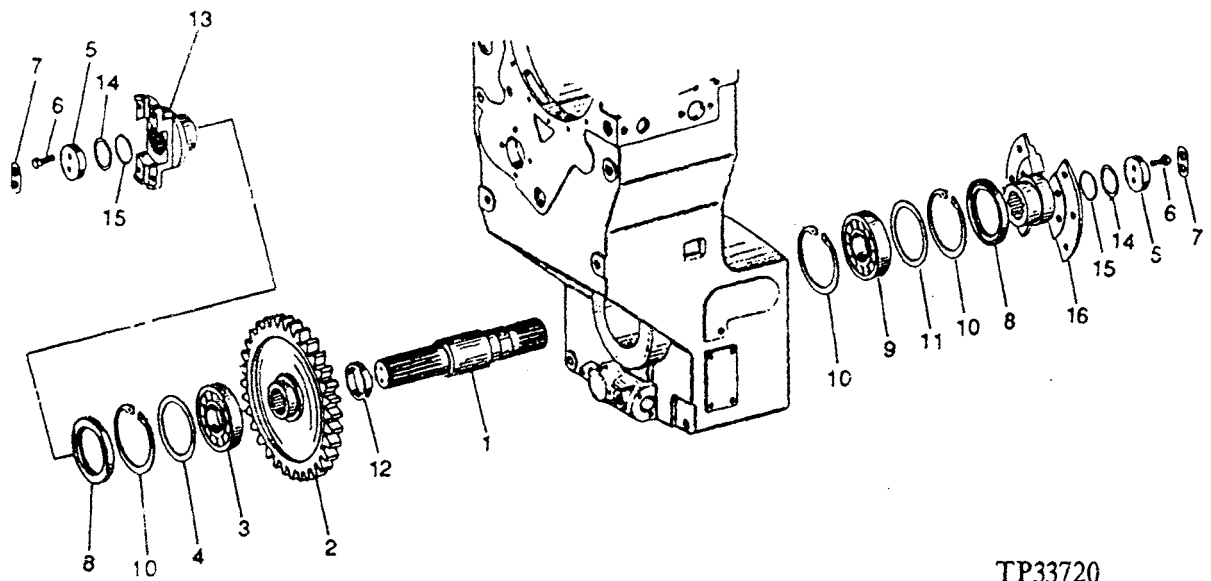
KEY	PART NO.	PART NAME	QTY	SERIAL NO.	REMARKS
1	T142850	AXLE	1		
2	T116586	CLUTCH DISK	1		2.0 MM (.079")
	T116584	CLUTCH DISK	1		1.5 MM (.059")
	T116585	CLUTCH DISK	1		2.5 MM (.098")
3	T143420	O-RING	1		
4	T116497	PISTON RING	3		
5	T116896	STUD	2		
6	14M7273	NUT	2		M8
7	T116664	SHIM	AR		0.2 MM (.008")
	T116665	SHIM	AR		0.4 MM (.016")
	T116666	SHIM	AR		0.6 MM (.024")
	T116667	SHIM	AR		0.8 MM (.031")
	T116668	SHIM	AR		1.0 MM (.039")
	T116669	SHIM	AR		1.2 MM (.047")
	T116670	SHIM	AR		1.4 MM (.055")
	T116671	SHIM	AR		1.6 MM (.063")
	T116672	SHIM	AR		1.8 MM (.071")
	T116673	SHIM	AR		2.0 MM (.079")
	T116674	SHIM	AR		2.2 MM (.087")
	T116675	SHIM	AR		2.4 MM (.094")
	T116676	SHIM	AR		2.6 MM (.102")
	T116677	SHIM	AR		2.8 MM (.110")
8	T116475	THRUST WASHER	1		
9	T144419	THRUST WASHER	1		
10	T131692	SPUR GEAR	1		(29 TEETH)
11	T116477	THRUST WASHER	1		
12	T116587	THRUST WASHER	2		
13	T116500	NEEDLE BEARING	1		
14	T116582	SHIM	2		
15	T143418	PISTON	2		
16	T116494	SEAL	2		
17	T144404	RING	2		
18	T116486	COMPRESSION SPRING	2		
19	T116579	GUIDE	4		
20	T116400	RING	2		
21	T116580	GUIDE	2		
22	JD9898	NEEDLE BEARING	1		
23	JD38926	NEEDLE BEARING	1		
24	T116480	SNAP RING	2		
25	T116476	THRUST WASHER	1		
26	T144439	GEAR	1		
27	T116916	NEEDLE BEARING	1		
28	T122833	NEEDLE ROLLER	12		
29	T144438	DISK	1		
30	T116387	CLUTCH DISK	10		
31	T116584	CLUTCH DISK	1		1.5 MM (.059")
32	T116586	CLUTCH DISK	6		2.0 MM (.079")
33	T116585	CLUTCH DISK	1		2.5 MM (.098")
34	T116586	CLUTCH DISK	1		2.0 MM (.079")
	T116584	CLUTCH DISK	1		1.5 MM (.059")
	T116585	CLUTCH DISK	1		2.5 MM (.098")
35	T116387	CLUTCH DISK	9		
36	T116586	CLUTCH DISK	2		2.00MM (.079")
37	T116584	CLUTCH DISK	4		1.5MM (.059)
38	T116585	CLUTCH DISK	1		2.5 MM (.098")

# 1E19

TRANSMISSION 3

GEAR, SHAFTS, BEARINGS AND POWER SHIFT CLUTCH 0350  
OUTPUT SHAFT

TP33720



TP33720

# 1E20

TRANSMISSION 3

## GEAR, SHAFTS, BEARINGS AND POWER SHIFT CLUTCH 0350 OUTPUT SHAFT

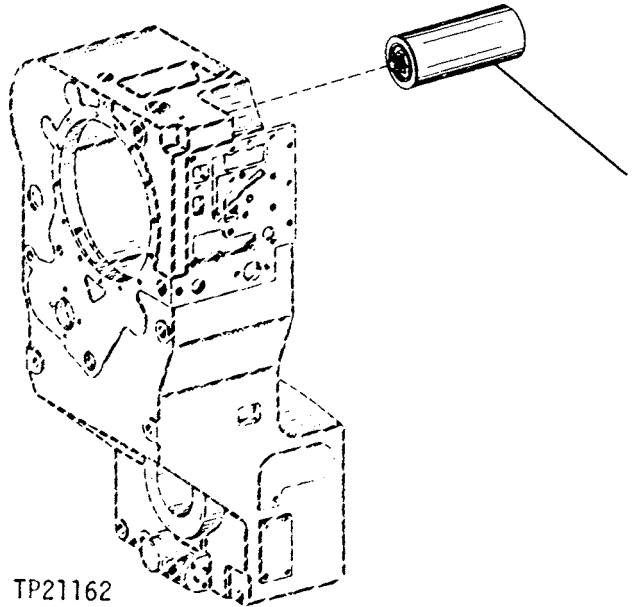
KEY	PART NO.	PART NAME	QTY	SERIAL NO.	REMARKS
1	T116973	SHAFT	1		(OUTPUT)
2	T144444	GEAR	1		(OUTPUT)
3	T116875	ROLLER BEARING	1		
4	T116927	SHIM	AR		
5	T116940	WASHER	2		
6	19M7168	CAP SCREW	4		M10 X 30
7	T116928	WASHER	2		
8	T116915	SEAL	2		
9	T116873	BALL BEARING	1		
10	40M7178	SNAP RING	3		
11	T116899	WASHER	AR		
	T116902	WASHER	AR		
	T116901	WASHER	AR		
	T116900	WASHER	AR		
	T141519	SHIM	AR		
	T143361	SHIM	AR		
	T116927	SHIM	AR		
12	T116907	BUSHING	1		
13	T116972	FLANGE	1		
14	T116975	SHIM	2		
	T116976	SHIM	2		
15	R78975	RING	2		
16	T116993	FLANGE	1		

# 1E21

TRANSMISSION 3

GEAR, SHAFTS, BEARINGS AND POWER SHIFT CLUTCH 0350  
**TRANSMISSION FILTER**

TP21162



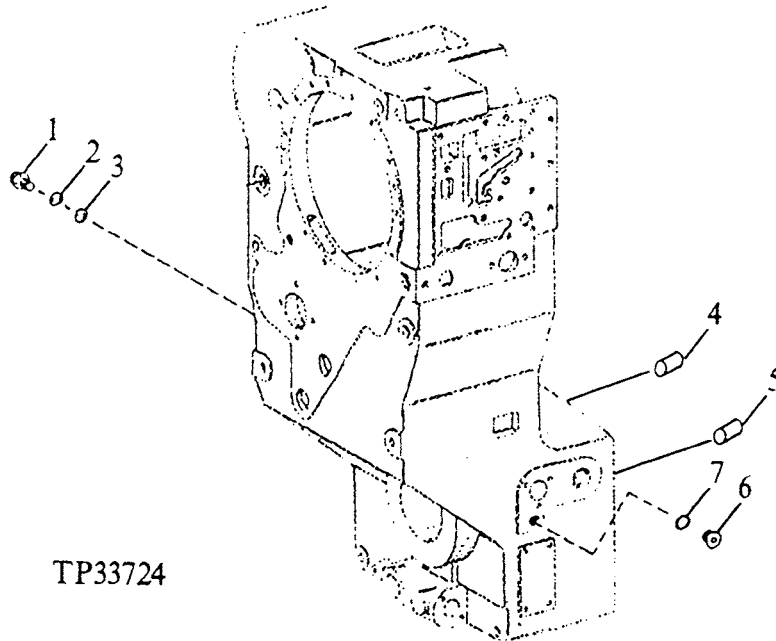
KEY	PART NO.	PART NAME	QTY	SERIAL NO.	REMARKS
1	AT140030	OIL FILTER	1		

# 1E22

TRANSMISSION 3

GEAR, SHAFTS, BEARINGS AND POWER SHIFT CLUTCH 0350  
**MAGNETIC PICKUP**

TP33724



KEY	PART NO.	PART NAME	QTY	SERIAL NO.	REMARKS
1	AT147167	MOUNTING PARTS	1		
2	T129632	SEAL	1		
3	24M7389	SHIM	AR		1.500 MM
	24M7390	SHIM	AR		1.400 MM
	24M7391	SHIM	AR		1.200 MM
	24M7118	WASHER	AR		18 X 25 X 1 MM
	24M7120	WASHER	AR		18 X 25 X 2 MM
	24M7211	SHIM	AR		0.500 MM
	24M7276	SHIM	AR		0.300 MM
	24M7394	SHIM	AR		0.200 MM
	24M7119	WASHER	AR		18 X 25 X 1.600 MM
	24M7392	SHIM	AR		1.800 MM
4	30M5581	CAP	1		
5	30M7023	CAP	1		
6	T122803	FITTING PLUG	1		
7	Z29864	O-RING	1		



---

GEAR, SHAFTS, BEARINGS AND POWER SHIFT CLUTCH 0350  
**MEMORANDA**

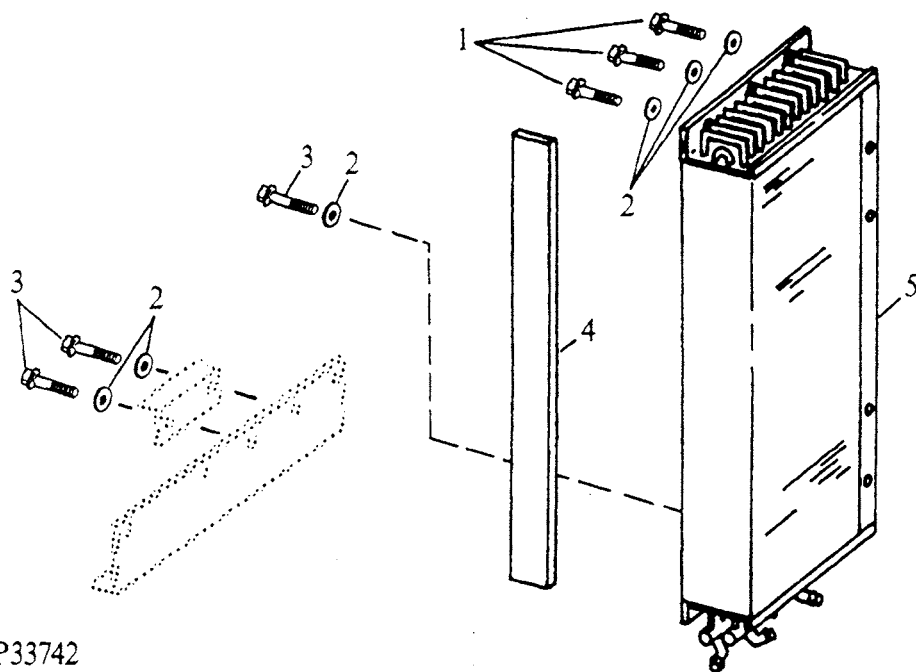
# 1E23

TRANSMISSION 3

HYDRAULIC SYSTEM 0360

## TRANSMISSION OIL COOLER

TP33742



TP33742

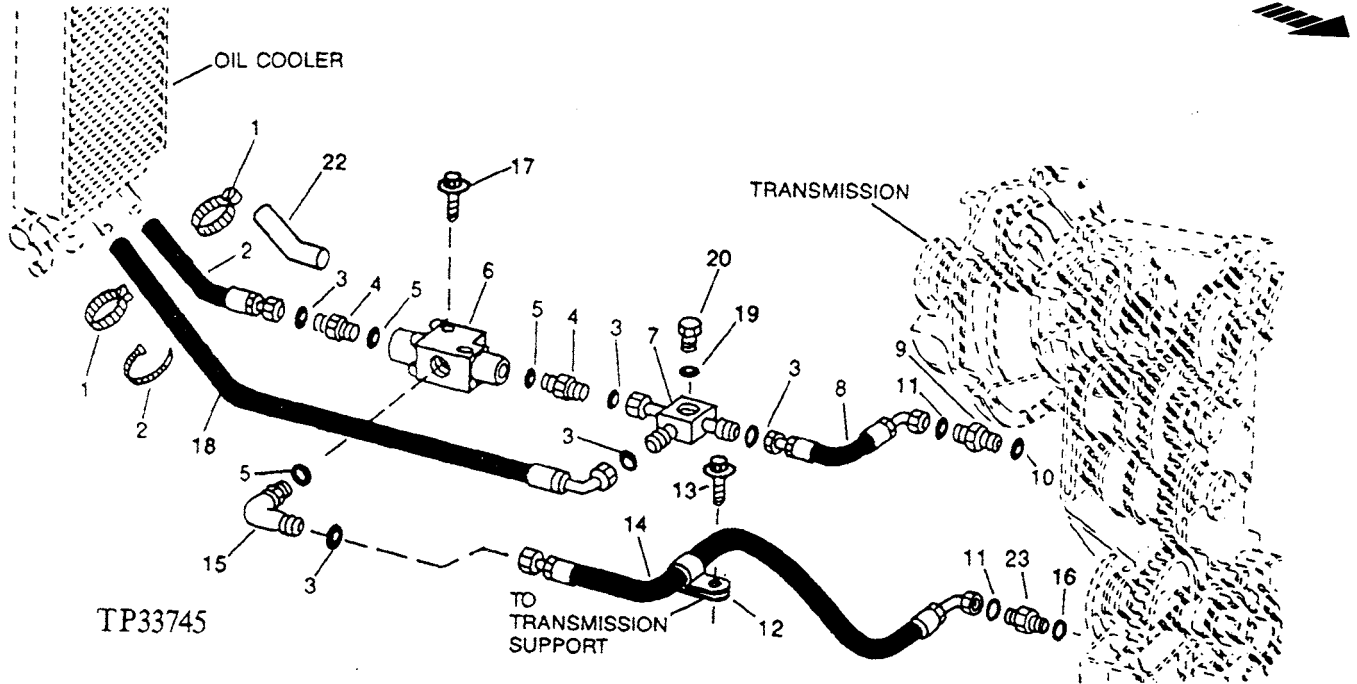
KEY	PART NO.	PART NAME	QTY	SERIAL NO.	REMARKS
1	19M7784	SCREW	3		M10 X 20
2	24M7296	WASHER	6		10.500 X 30 X 2.500 MM
3	19M7785	SCREW	3		M10 X 25
4	.....	INSULATOR	1		(MAKE FROM T59937 BULK MATERIAL, CUT TO LENGTH)
5	AT116051	OIL COOLER	1		

MEMORANDA

# 1E24

## TRANSMISSION COOLER HYDRAULICS

TP33745



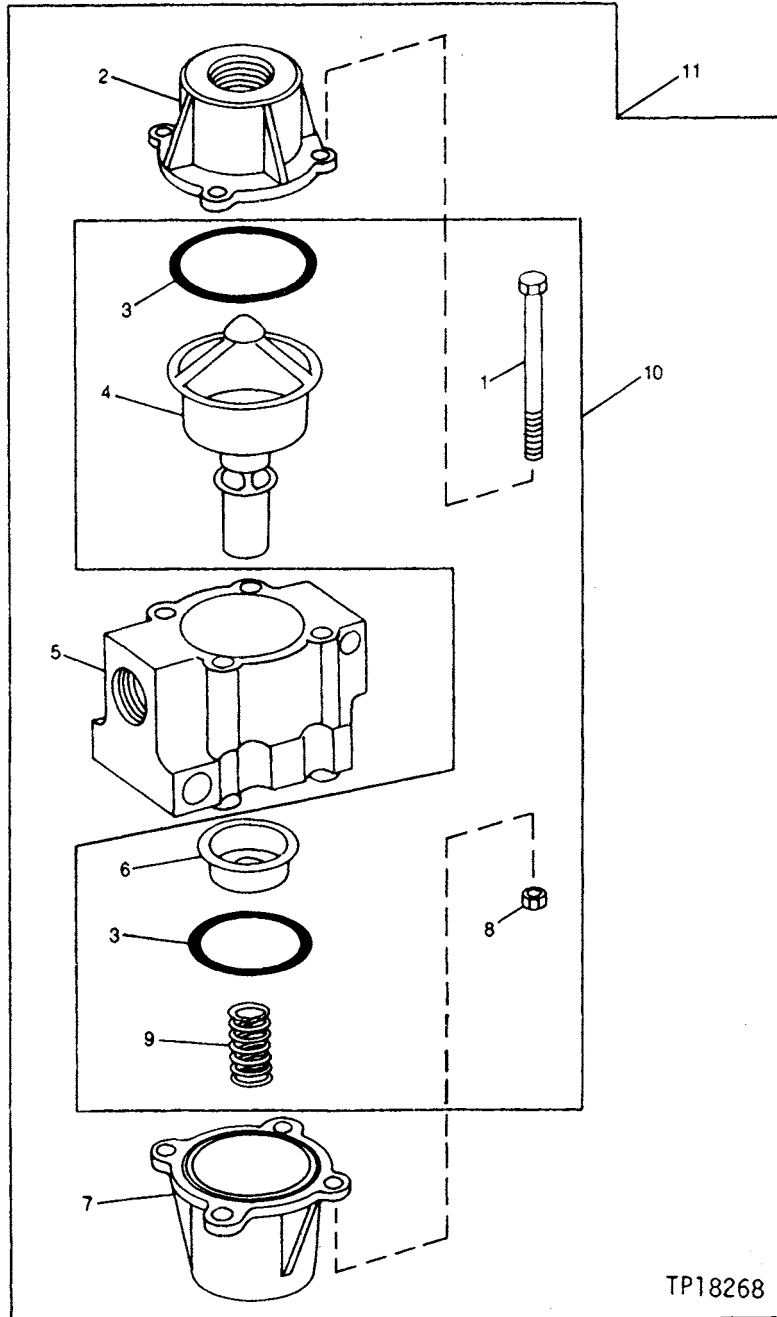
TP33745

KEY	PART NO.	PART NAME	QTY	SERIAL NO.	REMARKS
1	AT79195	CLAMP	2		
2	AT116010	HYDRAULIC HOSE	1		1-3/16" X 900 MM (35-1/2") X ....
3	T77858	O-RING	5		
4	38H1194	ADAPTER	2		
5	R29936	O-RING	3		
6	AT129526	VALVE	1		
7	AT103491	TEE FITTING	1		
8	AT103261	HYDRAULIC HOSE	1		1-3/16" X 1 060 MM (41-3/4") X 1-7/16"
9	38H1163	ADAPTER	1		
10	U12547	O-RING	1		
11	T76938	O-RING	2		
12	R72659	CLAMP	1		
13	19M7784	SCREW	1		M10 X 20
14	AT102436	HYDRAULIC HOSE	1		1-3/16" X 1 550 MM (61") X 1-7/16"
15	38H1052	ELBOW FITTING	1		
16	L40275	O-RING	1		
17	19M7810	SCREW	2		M10 X 80
18	AT102438	HYDRAULIC HOSE	1		1-3/16" X 1 108 MM (43-1/2") X ....
19	R26448	O-RING	1		
20	R27218	FITTING PLUG	1		
21	H77698	TIE BAND	1		
22	T123709	ISOLATOR	1		
23	T116569	ADAPTER	1		

# 1F01

TP18268

## THERMAL BY-PASS VALVE



# 1F02

TRANSMISSION 3

HYDRAULIC SYSTEM 0360

## THERMAL BY-PASS VALVE

KEY	PART NO.	PART NAME	QTY	SERIAL NO.	REMARKS
1	19H2336	CAP SCREW	4		1/4" X 3-1/2"
2	.....	VALVE COVER	1		(SUB AT129526)
3	T102419	O-RING	2		
4	.....	THERMOSTAT	1		
5	.....	HOUSING	1		(SUB AT129526)
6	.....	SEAL	1		
7	.....	COVER	1		(SUB AT129526)
8	M40333	LOCK NUT	4		
9	.....	SPRING	1		
10	AT129540	KIT	1		
11	AT129526	VALVE	1		

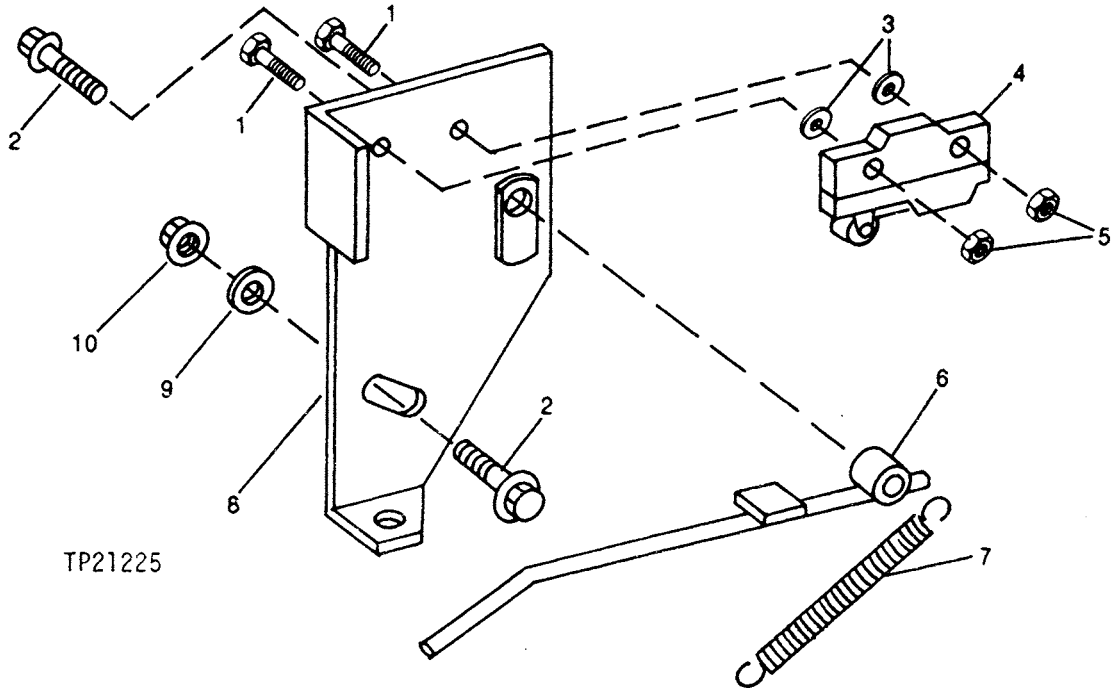
# 1F03

TRANSMISSION 3

WIRING HARNESS AND SWITCHES 0374

## CLUTCH DISCONNECT CONTROL

TP21225



TP21225

KEY	PART NO.	PART NAME	QTY	SERIAL NO.	REMARKS
1	21H1348	SCREW	2		NO. 6 X 1-1/8"
2	19M7785	SCREW	2		M10 X 25
3	24H128	WASHER	2		
4	AT58887	SWITCH	1		
5	C15421	LOCK NUT	2		
6	AT117021	LEVER	1		
7	T14307	SPRING	1		
8	AT117022	SUPPORT	1		
9	24M7296	WASHER	1		10.500 X 30 X 2.500 MM
10	14M7296	FLANGE NUT	1		M10

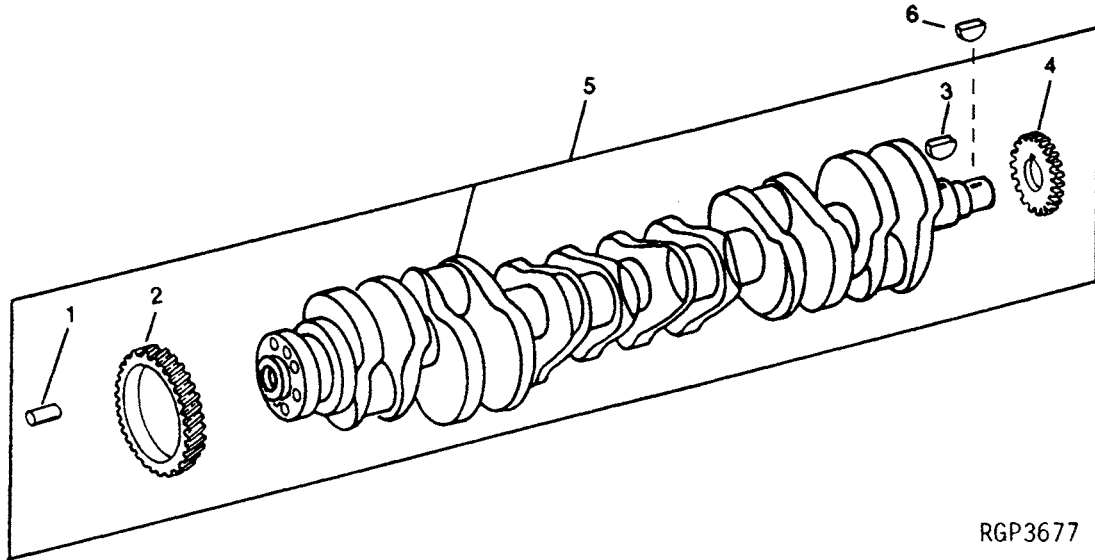
# 1F08

ENGINE 4

CRANKSHAFT AND MAIN BEARINGS 0401

## CRANKSHAFT

RGP3677



RGP3677

KEY	PART NO.	PART NAME	QTY	ENGINE SERIAL NO.	REMARKS
1	R41934	DOWEL PIN	1		
2	R63326	GEAR	1		
3	26H9	SHAFT KEY	1		1/8" X 5/8"
4	R104587	GEAR	1		
5	RE53199	CRANKSHAFT	1		(MARKED R116325)
6	R116311	KEY	1		(USE WITH RE53199)



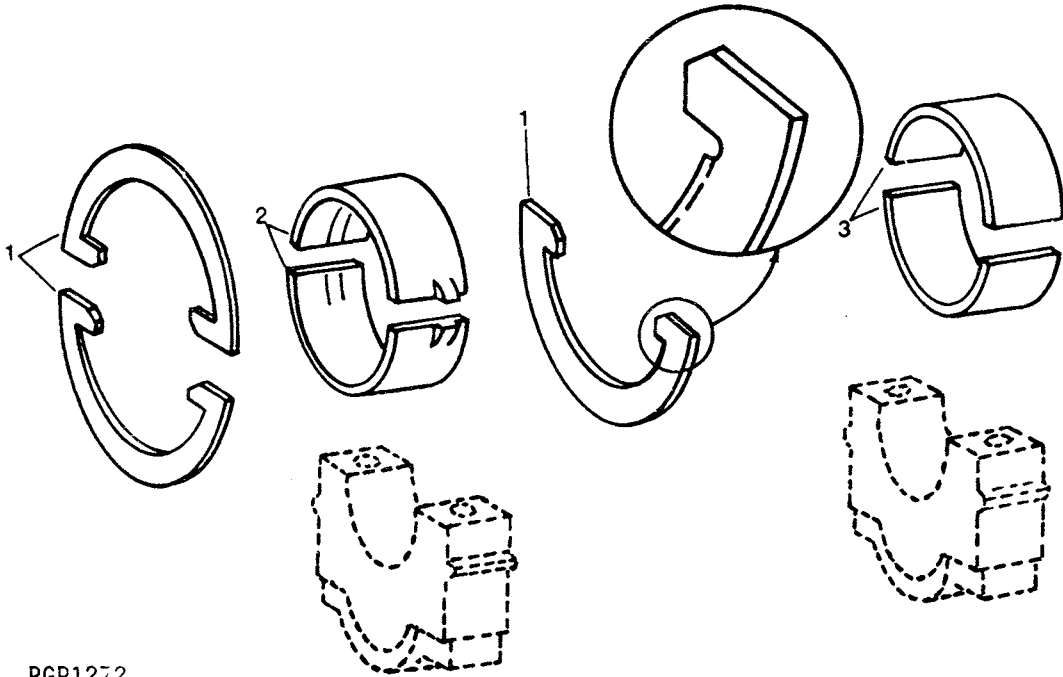
# 1F09

ENGINE 4

CRANKSHAFT AND MAIN BEARINGS 0401

## MAIN AND MAIN THRUST BEARINGS

RGP1272



RGP1272

KEY	PART NO.	PART NAME	QTY	ENGINE SERIAL NO.	REMARKS
1	AR77747	THRUST WASHER	1		STANDARD (PKG. OF (3) R62986)
	AR77753	THRUST WASHER	1		0.18 MM (.007") OVERSIZE FLANGE (PKG. OF (2) R63010 AND R62986)
2	AR77748	THRUST BEARING	1		STANDARD (PKG. OF R62987 AND R62988)
	AR77749	THRUST BEARING	1		0.05 MM (.002") UNDERSIZE (PKG. OF R63002 AND R63006)
	AR77750	THRUST BEARING	1		0.25 MM (.010") UNDERSIZE (PKG. OF R63003 AND R63007)
	AR77751	THRUST BEARING	1		0.51 MM (.020") UNDERSIZE (PKG. OF R63004 AND R63008)
	AR77752	THRUST BEARING	1		0.76 MM (.030") UNDERSIZE (PKG. OF R63005 AND R63009)
3	AR74814	BEARING	AR		STANDARD (PKG. OF R61289 AND R57584)
	AR74815	BEARING	AR		0.05 MM (.002") UNDERSIZE (PKG. OF R61608 AND R60472)
	AR74816	BEARING	AR		0.25 MM (.010") UNDERSIZE (PKG. OF R61609 AND R60473)
	AR74817	BEARING	AR		0.51 MM (.020") UNDERSIZE (PKG. OF R61610 AND R60474)
	AR74818	BEARING	AR		0.76 MM (.030") UNDERSIZE (PKG. OF R61611 AND R60475)

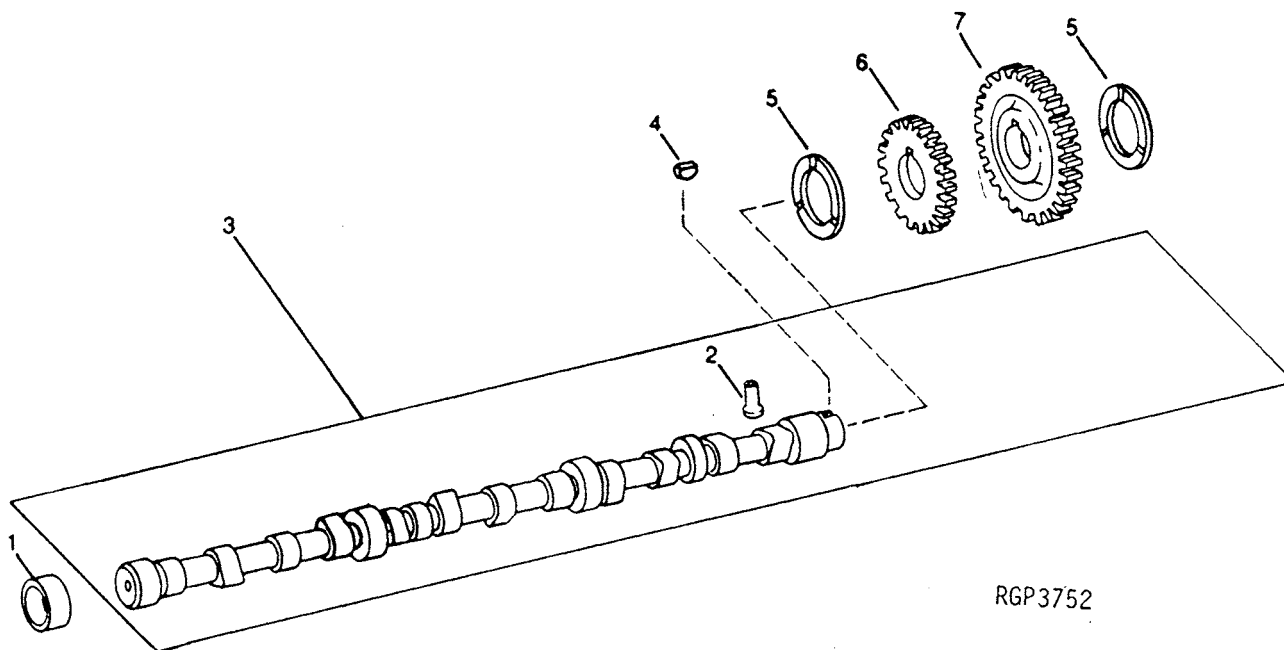
# 1F10

ENGINE 4

## CAMSHAFT AND GEAR

CAMSHAFT AND VALVE ACTUATING MEANS 0402

RGP3752



RGP3752

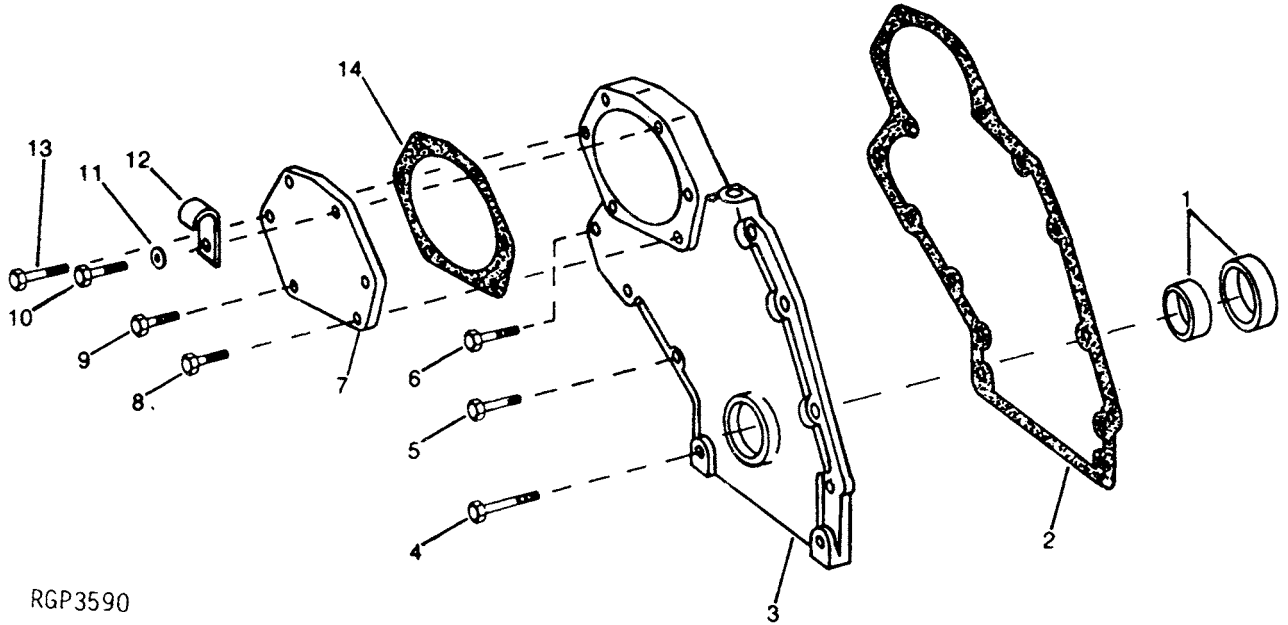
KEY	PART NO.	PART NAME	QTY	ENGINE SERIAL NO.	REMARKS
1	R87561	BUSHING	4		
2	R110126	CAM FOLLOWER	12		(USE WITH R109717)
3	RE42383	CAMSHAFT	1		(MARKED R109717)
4	26H91	SHAFT KEY	1		3/16" X 1-1/4"
5	R104656	THRUST WASHER	1		
6	R104589	GEAR	1		
7	R112053	GEAR	1		

# 1F11

ENGINE 4

## TIMING GEAR COVER AND FRONT OIL SEAL

RGP3590



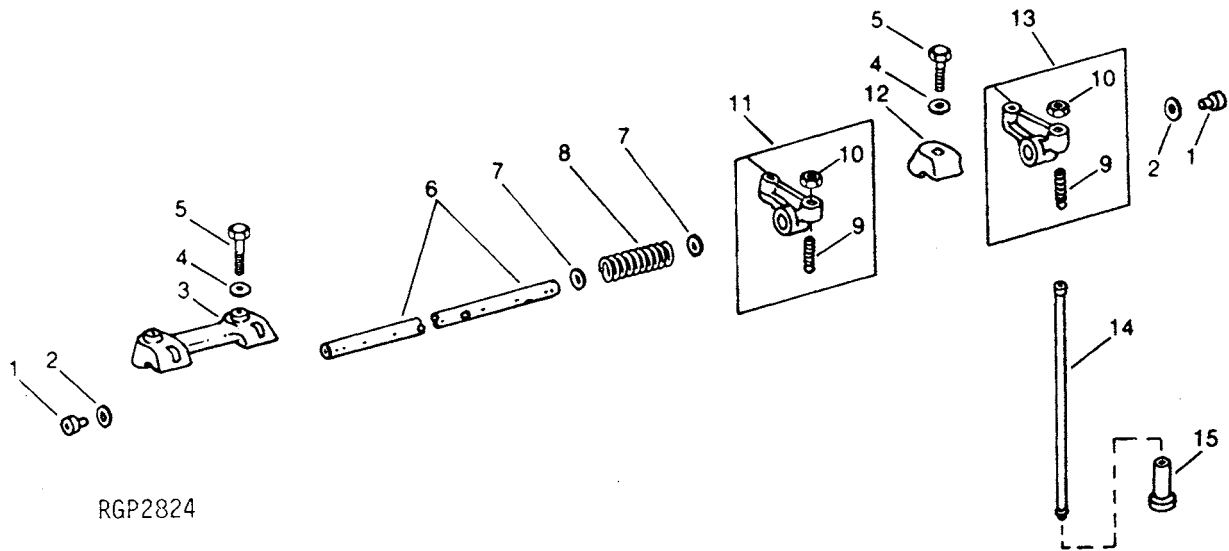
KEY	PART NO.	PART NAME	QTY	ENGINE SERIAL NO.	REMARKS
1	AR49025	SEAL	1		
2	R104623	GASKET	1		
3	R116465	COVER	1		
4	R104859	CAP SCREW	7		
5	R104861	CAP SCREW	1		
6	R112269	CAP SCREW	1		
7	R99463	COVER	1		
8	R112268	CAP SCREW	1		
9	R112267	CAP SCREW	1		
10	R112273	CAP SCREW	3		
11	24H1136	WASHER	1		11/32" X 11/16" X 0.065", (NO LONGER REQUIRED)
12	R72853	CLAMP	1		(NO LONGER REQUIRED)
13	R105732	CAP SCREW	1		
14	R99464	GASKET	1		

# 1F12

ENGINE 4

## CAMSHAFT AND VALVE ACTUATING MEANS 0402 ROCKER ARMS, SHAFT AND PUSH RODS

RGP2824



RGP2824

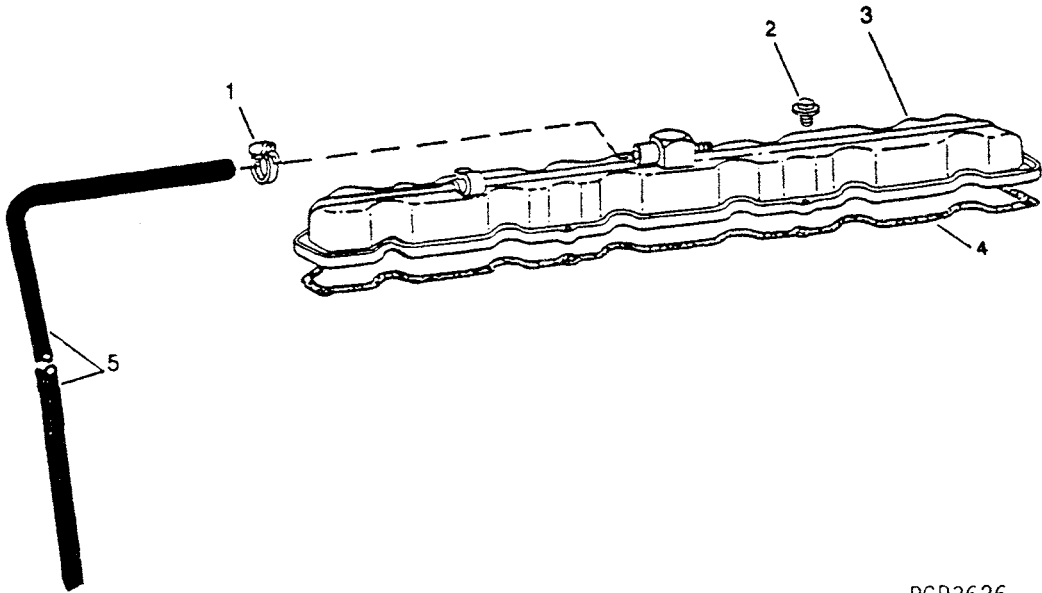
KEY	PART NO.	PART NAME	QTY	ENGINE SERIAL NO.	REMARKS
1	R54565	PLUG	2		
2	R26081	WASHER	2		
3	R65553	CLAMP	2		
4	R26559	WASHER	6		
5	19H1740	CAP SCREW	6		7/16" X 1-3/4"
6	R70826	ROCKER ARM SHAFT	1		
7	R71208	WASHER	10		
8	R26079	SPRING	5		
9	R27443	SET SCREW	12		
10	14H846	NUT	12		3/8"
11	RE24045	ROCKER ARM	6		
12	R26748	CLAMP	2		
13	RE24046	ROCKER ARM	6		
14	R85027	PUSH ROD	12		
15	R105379	CAM FOLLOWER	12		

# 1F13

ENGINE 4

## CAMSHAFT AND VALVE ACTUATING MEANS 0402 ROCKER ARM COVER AND ENGINE VENTILATOR OUTLET HOSE

RGP3626



RGP3626

KEY	PART NO.	PART NAME	QTY	ENGINE SERIAL NO.	REMARKS
1	AT18904	CLAMP	1		
2	AR100124	SCREW, WITH WASHER	8		
3	RE37448	COVER	1		
4	R49866	GASKET	1		
5	R105556	HOSE	1		
..	AR31790	ADHESIVE	1		

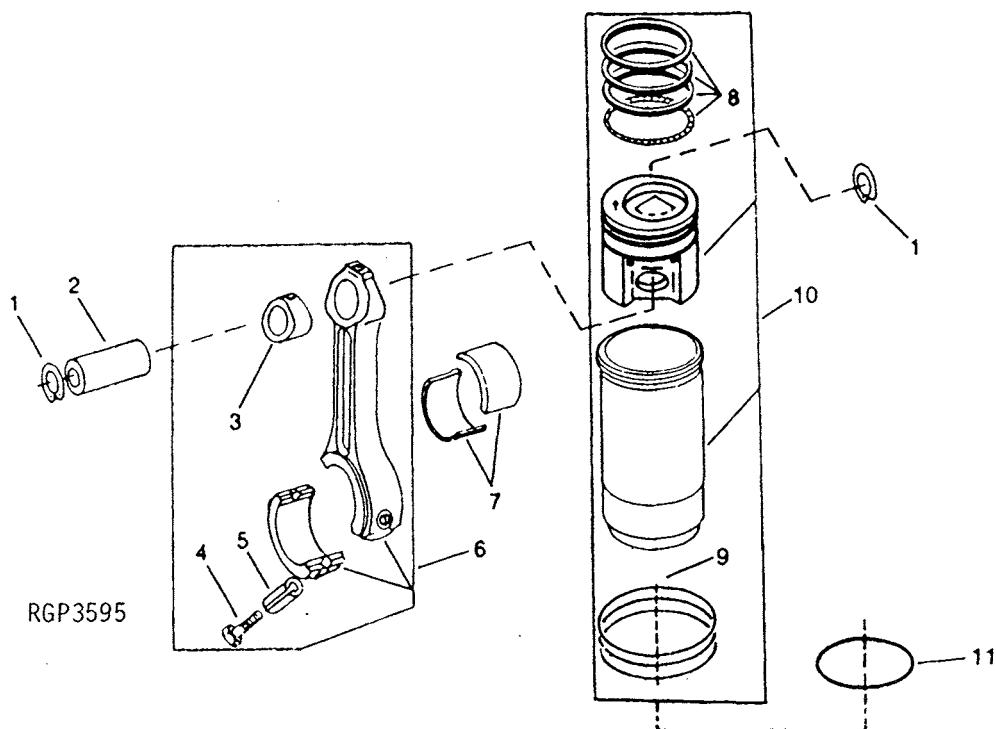
# 1F14

ENGINE 4

## PISTON, RINGS, LINERS AND CONNECTING RODS

CONNECTING RODS AND PISTONS 0403

RGP3595



KEY	PART NO.	PART NAME	QTY	ENGINE SERIAL NO.	REMARKS
1	E1343FN	SNAP RING	12		
2	R57771	PISTON PIN	6		
3	R74008	BUSHING	6		
4	R66452	CAP SCREW	12		
5	R53292	SLEEVE	12		
6	AR93341	CONNECTING ROD	6		(MARKED R71074)
7	AR73277	BEARING	AR		STANDARD (PKG. OF (2) R57583)
	AR73278	BEARING	AR		0.05MM (.002") UNDERSIZE (PKG. OF (2) R60485)
	AR73279	BEARING	AR		0.25MM (.010") UNDERSIZE (PKG. OF (2) R60486)
	AR73280	BEARING	AR		0.51MM (.020") UNDERSIZE (PKG. OF (2) R60487)
	AR73281	BEARING	AR		0.76MM (.030") UNDERSIZE (PKG. OF (2) R60488)
8	RE48380	KIT	6		
9	AR98850	KIT	6		
10	RE48739	KIT	6		(MARKED RE25652)
11	R93948	SHIM	AR		0.05MM (.002")

MEMORANDA

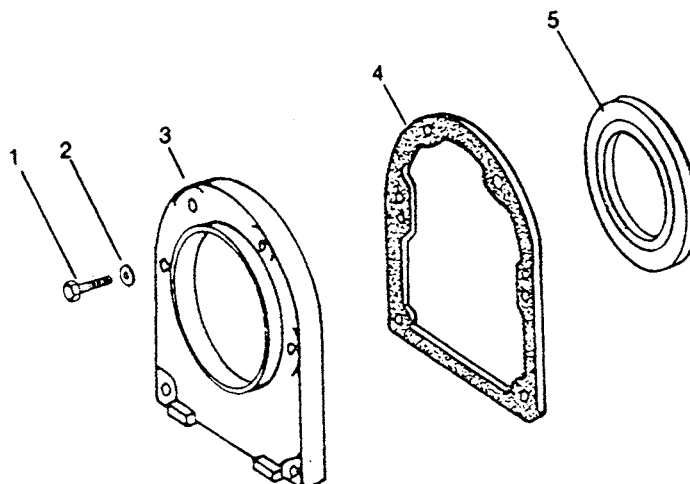
# 1F15

ENGINE 4

CYLINDER BLOCK 0404

## CRANKSHAFT OIL SEAL AND HOUSING

RGP2382



RGP2382

KEY	PART NO.	PART NAME	QTY	ENGINE SERIAL NO.	REMARKS
1	R47074	CAP SCREW	6		7.925 X 28.448 MM (5/16" X 1.120")
2	T27860	WASHER	6		11/32" X 11/16" X 0.065"
3	R115050	HOUSING	1		
4	R26058	GASKET	1		
5	RE22764	SEAL	1		



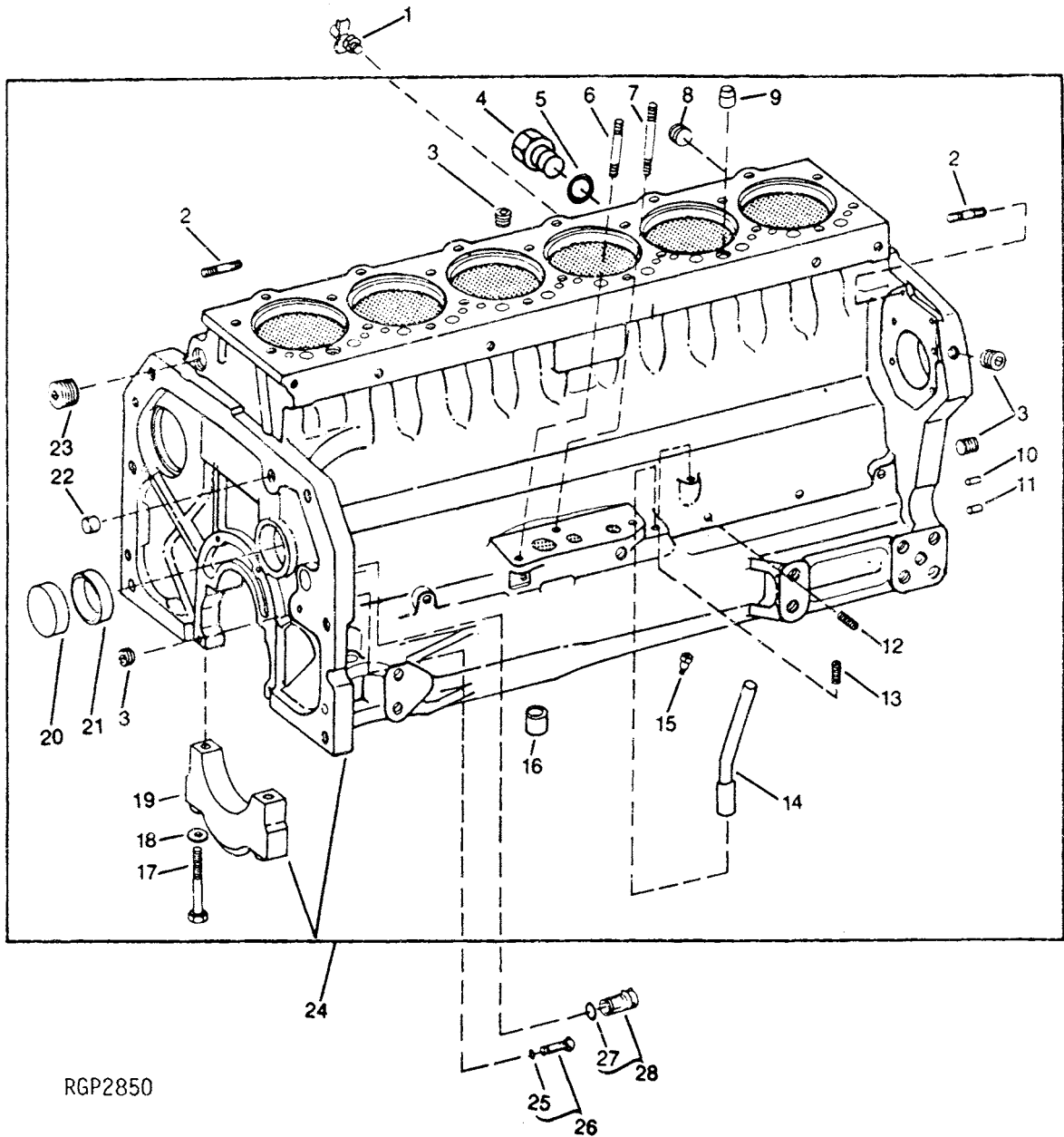
# 1F16

ENGINE 4

CYLINDER BLOCK 0404

## CYLINDER BLOCK

RGP2850



RGP2850

# 1F17

ENGINE 4

## CYLINDER BLOCK - CONTINUED

CYLINDER BLOCK 0404

KEY	PART NO.	PART NAME	QTY	ENGINE SERIAL NO.	REMARKS
1	AT13740	DRAIN VALVE	1		
2	R55396	STUD	5		
3	15H624	PIPE PLUG	4		1/2"
4	R39741	DRAIN PLUG	1		
5	U13639	O-RING	1		
6	R106859	STUD	1		(SUB FOR F3646R OR R26622)
7	R55395	STUD	1		
8	15H665	PIPE PLUG	1		3/4"
9	R42340	BUSHING	2		
10	R1612R	DOWEL PIN	4		
11	F1743R	DOWEL PIN	2		
12	R104592	PIPE PLUG	7		
13	R21630	PIPE PLUG	1		
14	AR71850	DIPSTICK TUBE	1		
15	R43621	ORIFICE	6		
16	R62930	BUSHING	2		
17	R42365	BOLT	14		
18	R70268	WASHER	14		
19	R57158	BEARING CAP	6		(MAIN)
	R57159	BEARING CAP	1		(THRUST)
20	R82007	CAP	1		
21	R87561	BUSHING	4		
22	R61288	DOWEL PIN	1		
23	15H562	PIPE PLUG	1		1"
24	RE29498	CYLINDER BLOCK	1	-158801	(MARKED R88379) (SUB RE47106)
	RE47106	CYLINDER BLOCK	1	158802-	(MARKED R109777)
25	A4365R	O-RING	1		
26	AR61589	PLUG	1		
27	R27149	O-RING	1		
28	AR61533	PLUG	1		

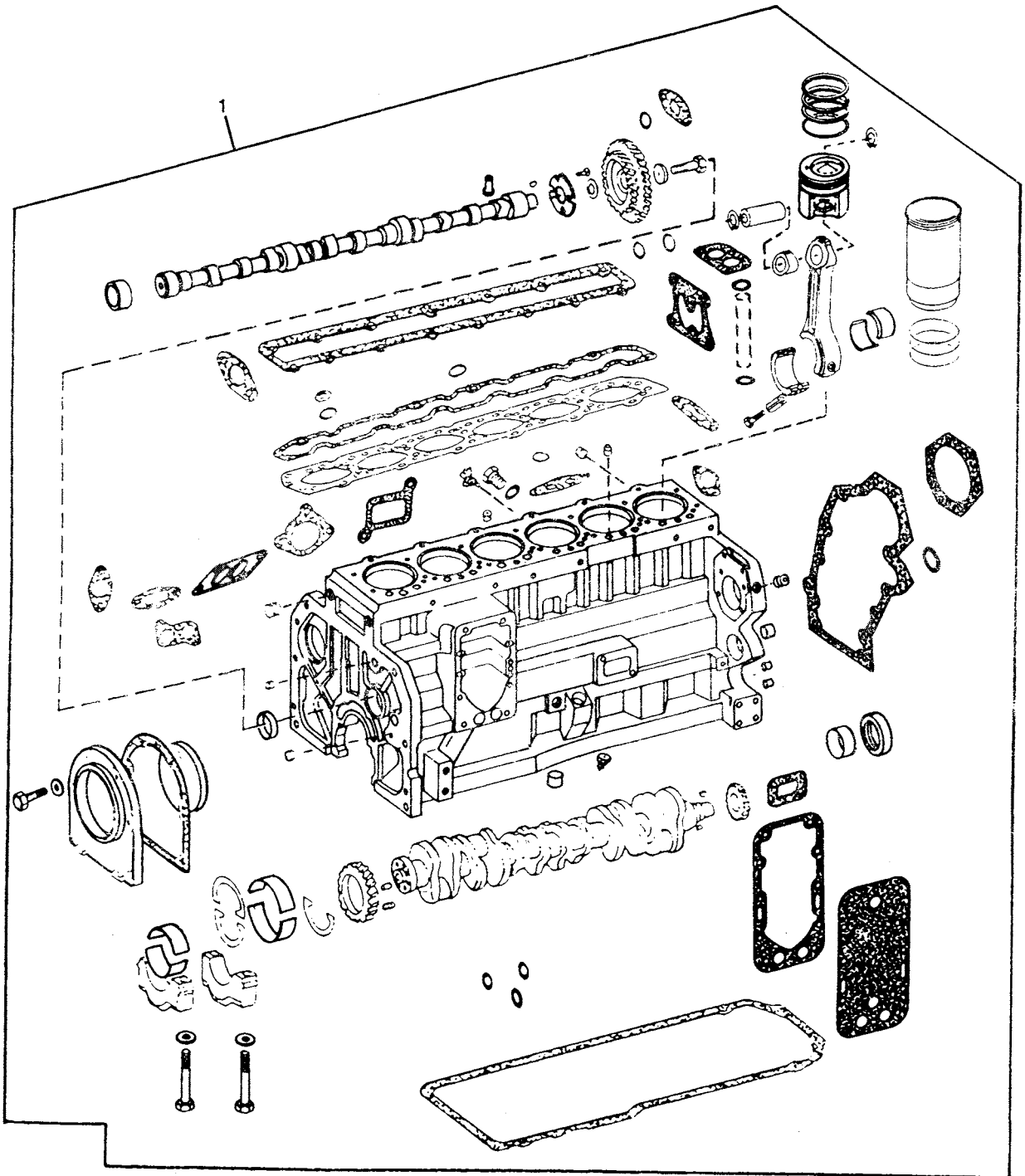
# 1F18

ENGINE 4

## ENGINE SHORT BLOCK

CYLINDER BLOCK 0404

RGP3581



RGP3581

# 1F19

ENGINE 4

CYLINDER BLOCK 0404

## ENGINE SHORT BLOCK - CONTINUED

KEY	PART NO.	PART NAME	QTY	ENGINE SERIAL NO.	REMARKS
1	RE53458	SHORT BLOCK ASSEMBLY	1		(MARKED R100406) (ALSO ORDER R104574)

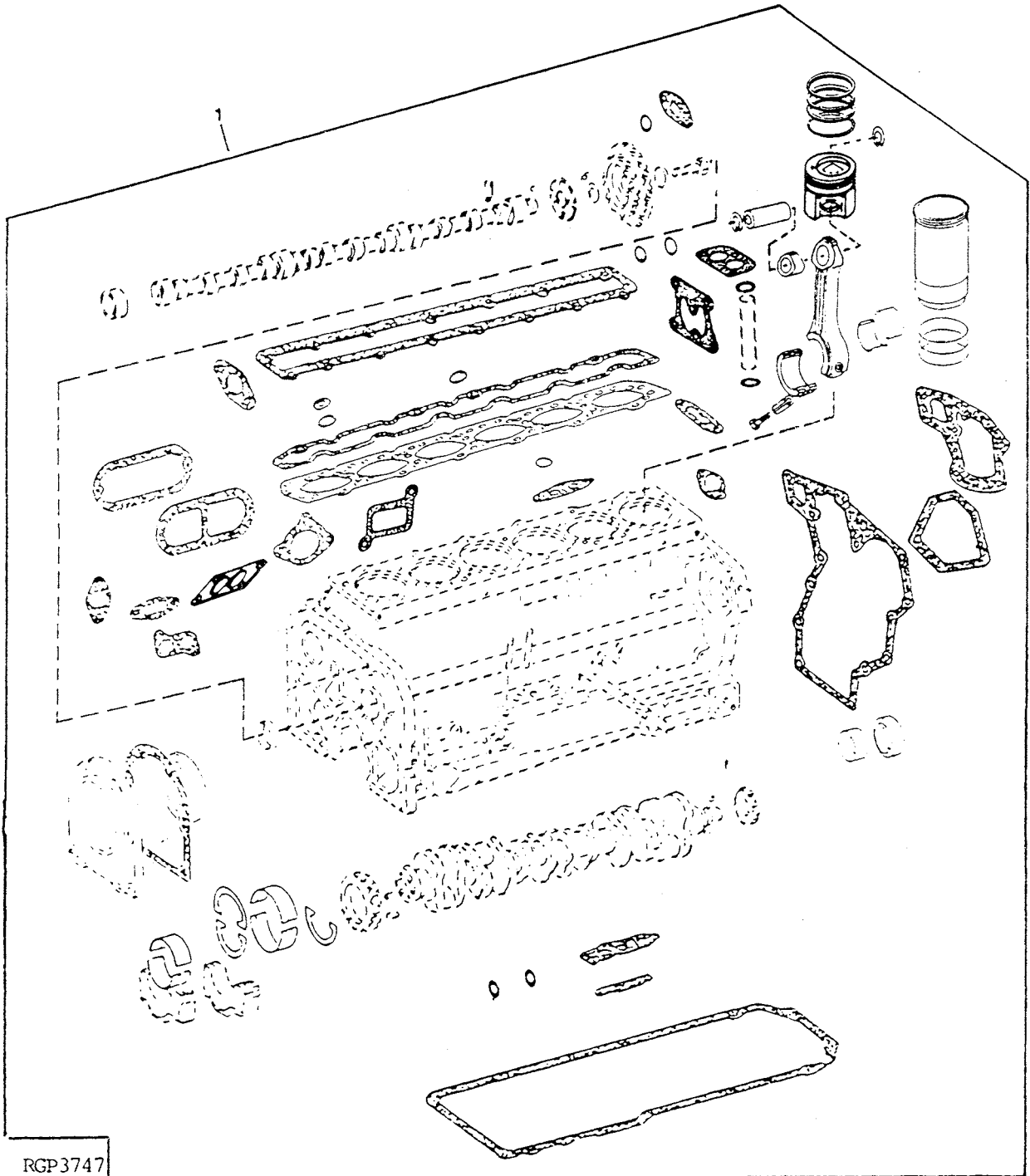
# 1F20

ENGINE 4

CYLINDER BLOCK 0404

## ENGINE OVERHAUL KIT

RGP3747



RGP3747

# 1F21

ENGINE 4

CYLINDER BLOCK 0404

## ENGINE OVERHAUL KIT - CONTINUED

<i>KEY</i>	<i>PART NO.</i>	<i>PART NAME</i>	<i>QTY</i>	<i>ENGINE SERIAL NO.</i>	<i>REMARKS</i>
1	RG20846	ENGINE OVERHAUL KIT	1		(CONTAINS (6) RE48739 PISTON LINERS, GASKET KIT, STANDARD BEARINGS, FRONT AND REAR SEALS)

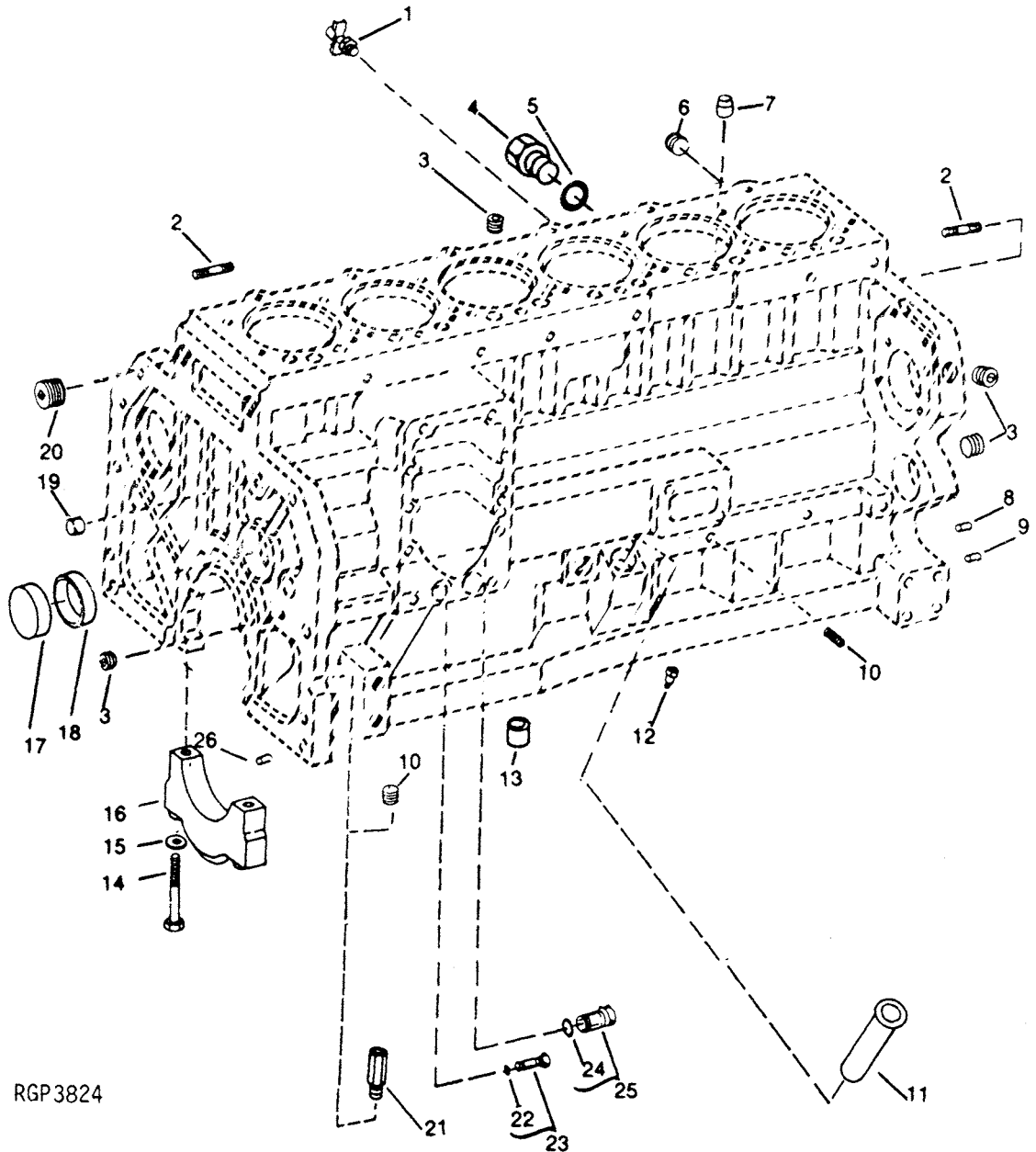
# 1F22

ENGINE 4

CYLINDER BLOCK 0404

## CYLINDER BLOCK FITTINGS

RGP3824



RGP3824

# 1F23

ENGINE 4

CYLINDER BLOCK 0404

**CYLINDER BLOCK FITTINGS - CONTINUED**

KEY	PART NO.	PART NAME	QTY	ENGINE SERIAL NO.	REMARKS
1	AT13740	DRAIN VALVE	1		
2	R114130	STUD	5		
3	15H624	PIPE PLUG	4		1/2"
4	R39741	DRAIN PLUG	1		
5	U13639	O-RING	1		
6	15H665	PIPE PLUG	1		3/4"
7	R42340	BUSHING	2		
8	R1612R	DOWEL PIN	2		
9	F1743R	DOWEL PIN	2		
10	R104592	PIPE PLUG	6		
11	R104574	DIPSTICK TUBE	1		107.5 MM
	R107623	ADAPTER	1		35 MM
12	R43621	ORIFICE	6		
13	R62930	BUSHING	2		
14	R42365	BOLT	14		
15	R70268	WASHER	14		
16	R57158	BEARING CAP	6		(MAIN)
	R57159	BEARING CAP	1		(THRUST)
17	R82007	CAP	1		
18	R87561	BUSHING	4		
19	R61288	DOWEL PIN	1		
20	15H562	PIPE PLUG	1		1"
21	R53014	FITTING	NA		
22	A4365R	O-RING	1		
23	AR61589	PLUG	1		
24	R27149	O-RING	1		
25	AR61533	PLUG	1		
26	H79910	DOWEL PIN	NA		



MEMORANDA

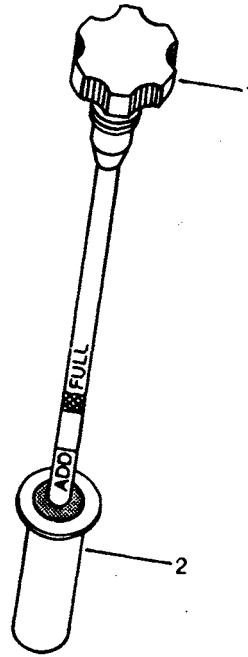
# 1F24

ENGINE 4

OILING SYSTEM 0407

## ENGINE OIL DIPSTICK AND TUBE

RGP3592



RGP3592

KEY	PART NO.	PART NAME	QTY	ENGINE SERIAL NO.	REMARKS
1	RE41811	DIPSTICK	1		
2	R104574	DIPSTICK TUBE	1		

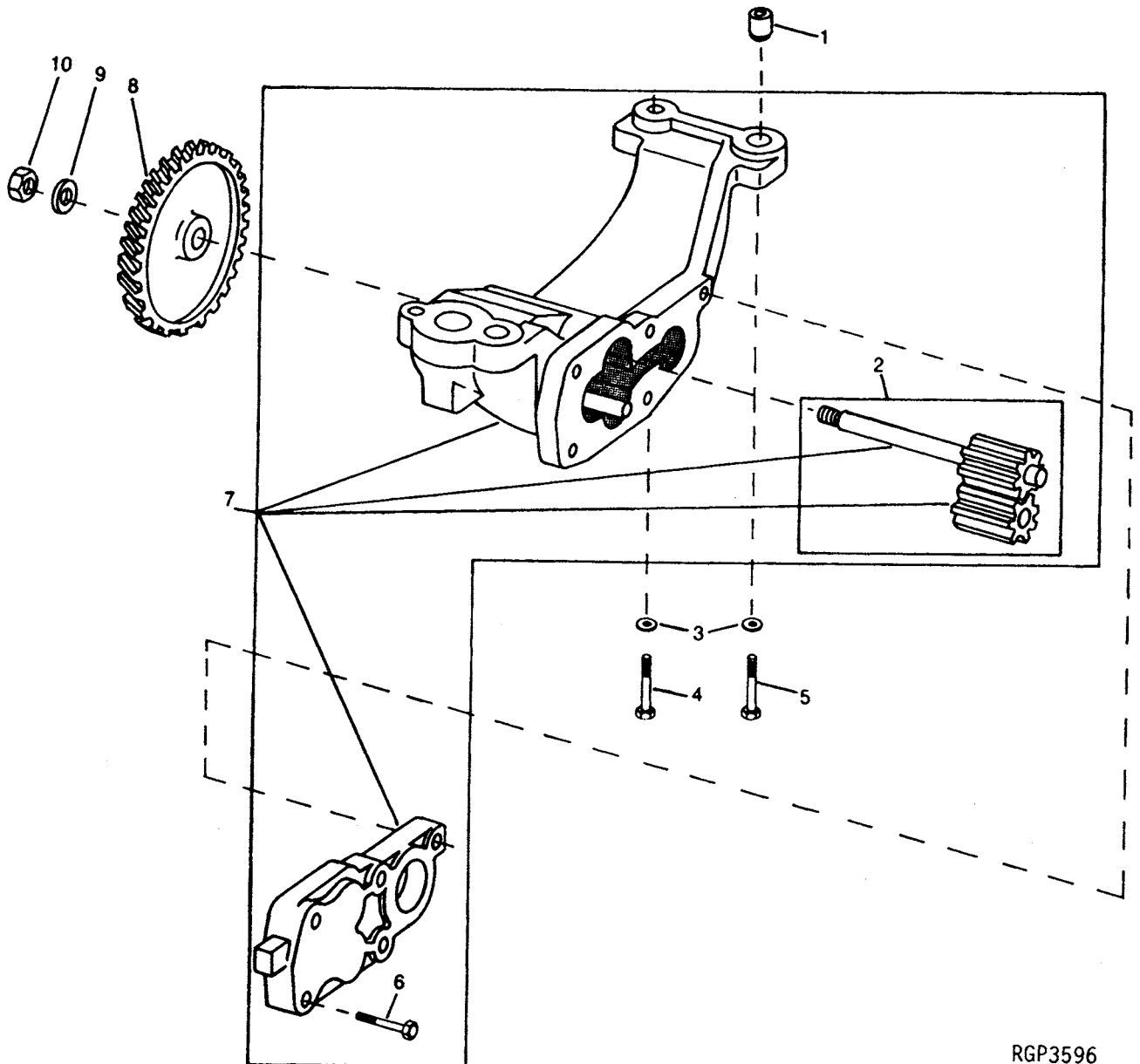
# 1G01

ENGINE 4

OILING SYSTEM 0407

## OIL PUMP

RGP3596



RGP3596

# 1G02

ENGINE 4

OILING SYSTEM 0407

## OIL PUMP - CONTINUED

KEY	PART NO.	PART NAME	QTY	ENGINE SERIAL NO.	REMARKS
1	R62930	BUSHING	2		
2	RE42114	KIT	1		
3	R57696	WASHER	4		
4	19H2549	CAP SCREW	2		3/8" X 1-7/8"
5	19H2545	CAP SCREW	2		3/8" X 1-3/8"
6	R104628	CAP SCREW	5		
7	RE52277	OIL PUMP	1		
8	R62938	GEAR	1		
9	T21242	WASHER	1		
10	R79187	NUT	1		

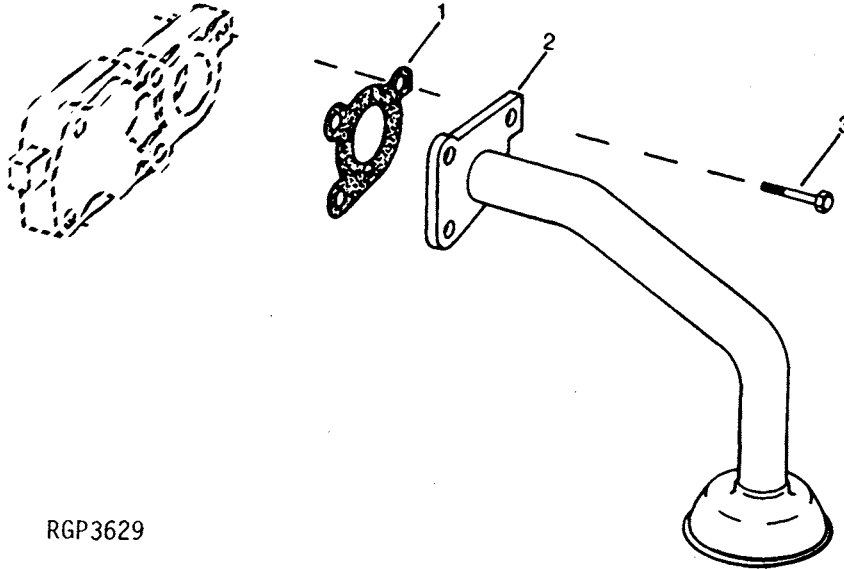
# 1G03

ENGINE 4

OILING SYSTEM 0407

## ENGINE OIL PUMP INTAKE

RGP3629



RGP3629

KEY	PART NO.	PART NAME	QTY	ENGINE SERIAL NO.	REMARKS
1	R100569	GASKET	1		
2	RE42749	OIL PUMP INTAKE	1		
3	R104628	CAP SCREW	3		

---

**MEMORANDA**

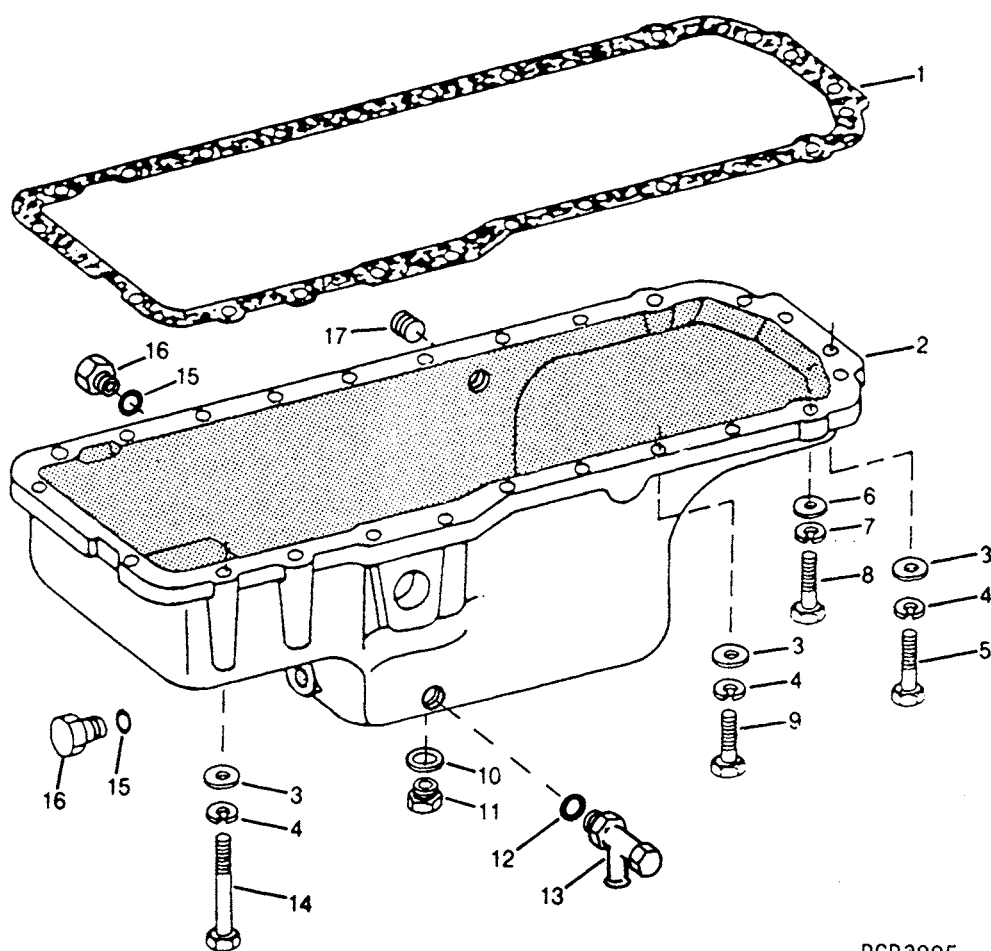
# 1G04

ENGINE 4

OILING SYSTEM 0407

## OIL PAN

RGP3885



RGP3885

# 1G05

ENGINE 4

## OIL PAN - CONTINUED

OILING SYSTEM 0407

KEY	PART NO.	PART NAME	QTY	ENGINE SERIAL NO.	REMARKS
1	R49377	GASKET	1		
2	RE52106	OIL PAN	1		
3	24H1305	WASHER	22		13/32" X 13/16" X 0.065"
4	12H304	LOCK WASHER	22		3/8"
5	19H3485	CAP SCREW	4		3/8" X 2"
6	24H1756	WASHER	2		1/2" X 1" X 0.060"
7	12H301	LOCK WASHER	2		1/2"
8	19H2473	CAP SCREW	2		1/2" X 1-3/4"
9	19H3267	CAP SCREW	18		3/8" X 1-5/8"
10	A4827R	WASHER	1		25.400 X 31.750 X 1.626 MM (1" X 1-1/4" X 0.064")
11	R26727	DRAIN PLUG	1		
12	R47151	O-RING	1		
13	AT152180	DRAIN VALVE	1		
14	19H3485	CAP SCREW	2		3/8" X 2"
15	F3171R	O-RING	1		
16	R27175	PIPE PLUG	1		
17	15H665	PIPE PLUG	1		



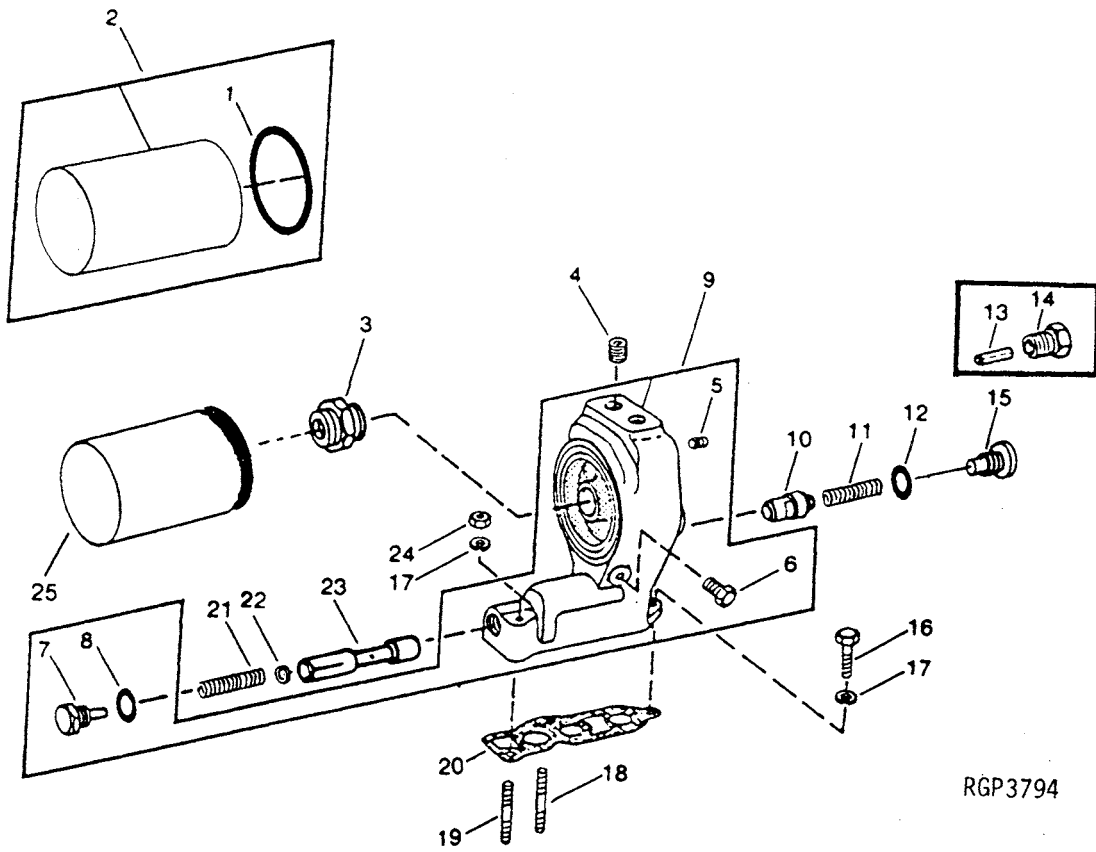
# 1G06

ENGINE 4

OILING SYSTEM 0407

## ENGINE OIL FILTER AND HOUSING

RGP3794



RGP3794

# 1G07

ENGINE 4

OILING SYSTEM 0407

## ENGINE OIL FILTER AND HOUSING - CONTINUED

KEY	PART NO.	PART NAME	QTY	ENGINE SERIAL NO.	REMARKS
1	R43660	PACKING	1		
2	AR101278	OIL FILTER	1		(MARKED AR98329)
3	R104621	ADAPTER	1		(USE WITH AR98329)
4	15H665	PIPE PLUG	2		3/4"
5	R104592	PIPE PLUG	1		
6	R55233	PIPE PLUG	1		
7	AR105510	DRAIN PLUG	1		
8	U17409	O-RING	1		
9	RE24706	HOUSING	1		(MARKED R84946)
10	R49464	VALVE	1		
11	R26151	SPRING	1		
12	U17409	O-RING	1		
13	34H313	SPRING PIN	1		
14	R49465	DRAIN PLUG	1		
15	R86875	FITTING	1		
16	19H2545	CAP SCREW	1		3/8" X 1-3/8"
17	12H304	LOCK WASHER	3		3/8"
18	R106859	STUD	1		
19	R55395	STUD	1		
20	R43774	GASKET	1		
21	R43548	SPRING	1		
22	U40750	WASHER	AR		
23	R84947	VALVE	1		(USE WITH R84946)
24	14H1076	NUT	2		3/8"
25	RE46380	OIL FILTER	1		(MARKED RE46380)

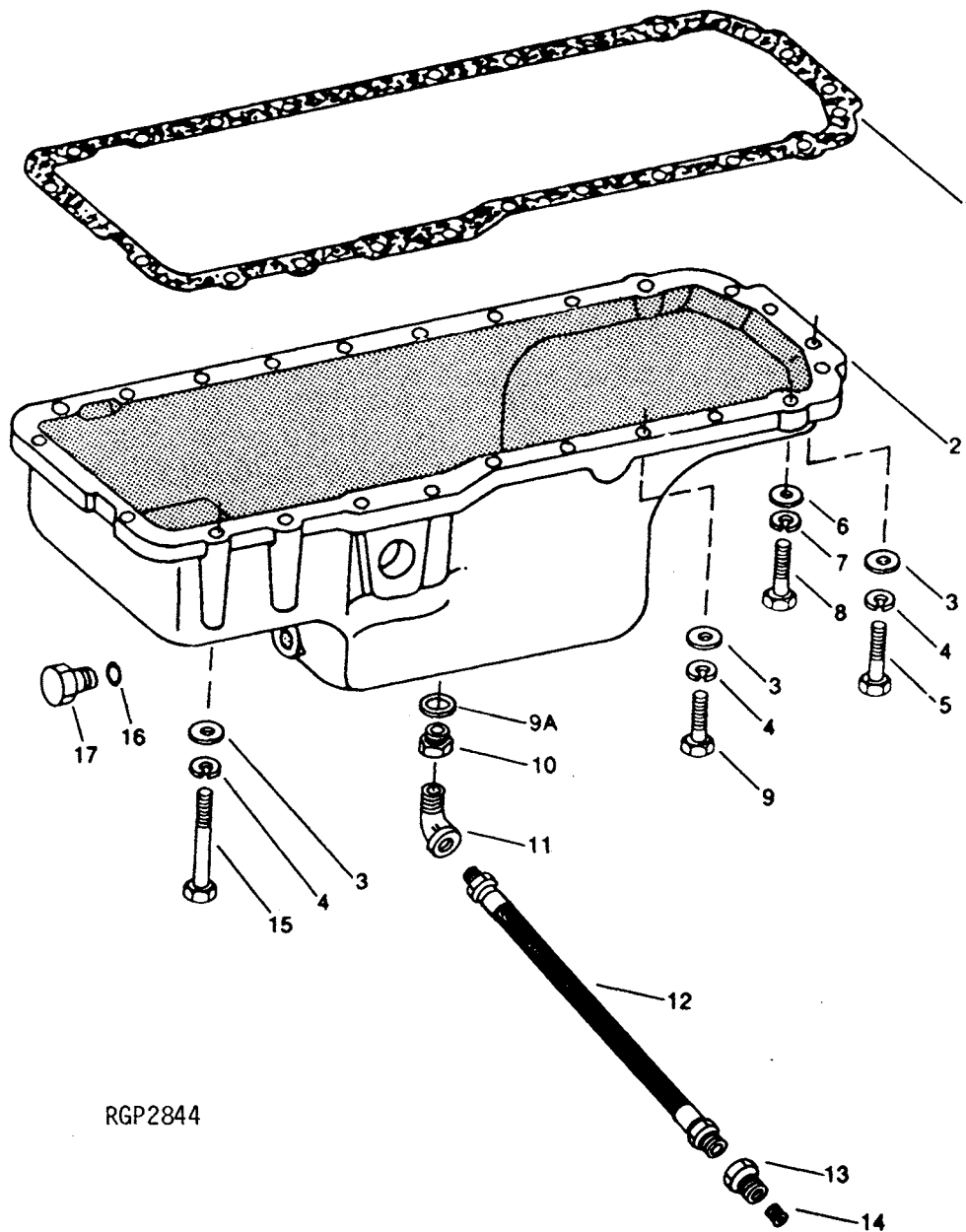
# 1G08

ENGINE 4

OILING SYSTEM 0407

## OIL PAN

RGP2844



RGP2844

# 1G09

ENGINE 4

OILING SYSTEM 0407

## OIL PAN - CONTINUED

KEY	PART NO.	PART NAME	QTY	ENGINE SERIAL NO.	REMARKS
1	R49377	GASKET	1		
2	RE18726	OIL PAN	1		
3	24H1305	WASHER	22		13/32" X 13/16" X 0.065"
4	12H304	LOCK WASHER	22		3/8"
5	19H3485	CAP SCREW	2		3/8" X 2"
6	24H1338	WASHER	2		33/64" X 7/8" X 0.048"
7	12H301	LOCK WASHER	2		1/2"
8	19H2473	CAP SCREW	2		1/2" X 1-3/4"
9	19H3267	CAP SCREW	18		3/8" X 1-5/8"
9A	A4827R	WASHER	1		25.400 X 31.750 X 1.626 MM (1" X 1-1/4" X 0.064")
10	R92645	ADAPTER	1		
11	15H200	ELBOW FITTING	1		
12	AU40997	HYDRAULIC HOSE	1	-101625	(SUB FOR RE45442, THIS APPLICATION)
	RE45442	HOSE	1	101626-	(SUB FOR AU40997 OR AU10862, THIS APPLICATION)
13	R56407	FITTING	1		
14	15H624	PIPE PLUG	1		1/2"
15	19H3504	BOLT	2		3/8" X 5-3/8"
16	F3171R	O-RING	1		
17	R27175	PIPE PLUG	1		

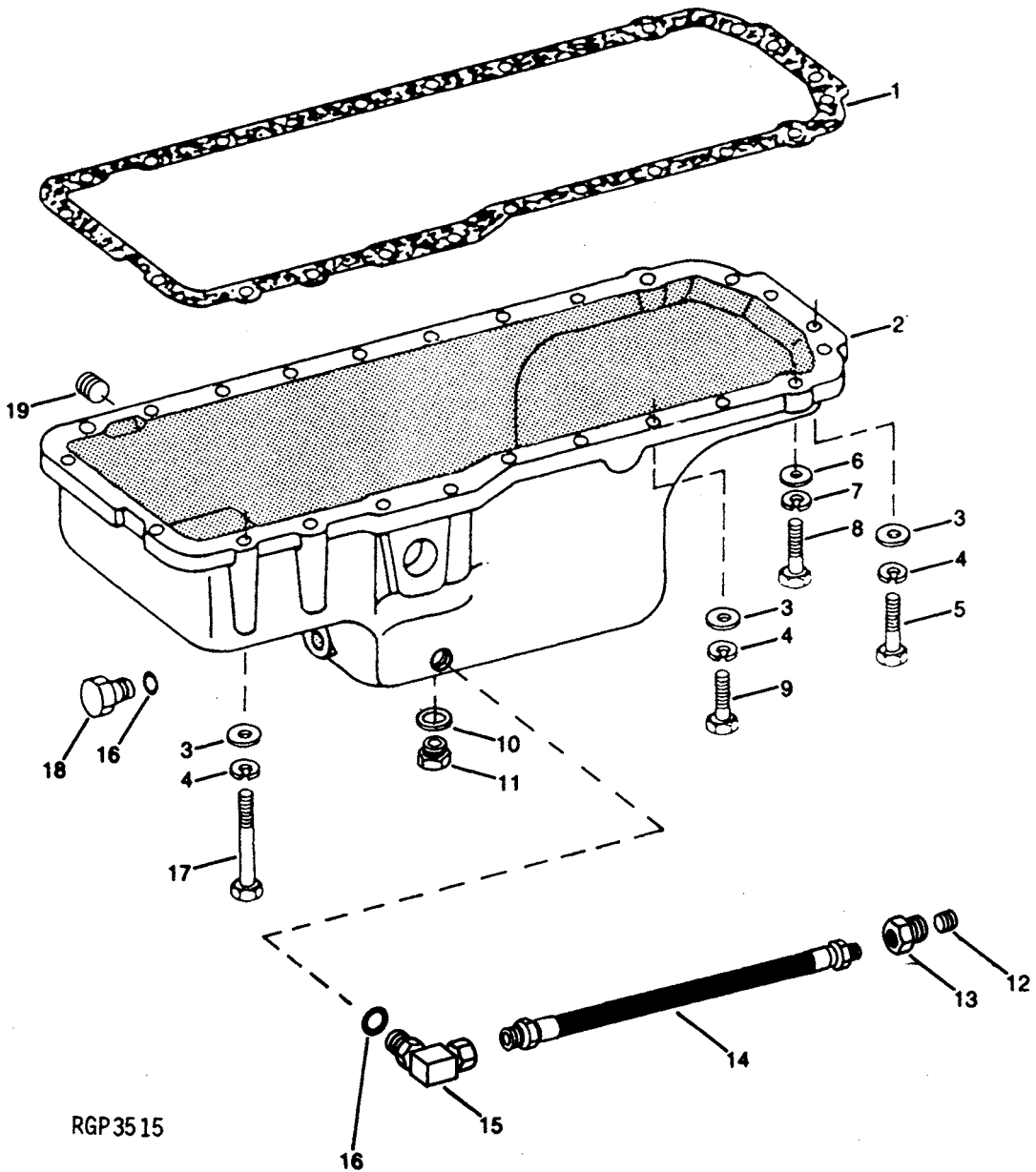
# 1G10

ENGINE 4

OILING SYSTEM 0407

OIL PAN  
(ENGINE SERIAL NO. 151949- )

RGP3515



RGP3515

# 1G11

ENGINE 4

OILING SYSTEM 0407

## OIL PAN - CONTINUED (ENGINE SERIAL NO. 151949- )

KEY	PART NO.	PART NAME	QTY	ENGINE SERIAL NO.	REMARKS
1	R49377	GASKET	1		
2	RE45439	OIL PAN	1		
3	24H1305	WASHER	22		13/32" X 13/16" X 0.065"
4	12H304	LOCK WASHER	22		3/8"
5	19H3485	CAP SCREW	2		3/8" X 2"
6	24H1338	WASHER	2		33/64" X 7/8" X 0.048"
7	12H301	LOCK WASHER	2		1/2"
8	19H2473	CAP SCREW	2		1/2" X 1-3/4"
9	19H3267	CAP SCREW	18		3/8" X 1-5/8"
10	A4827R	WASHER	1		25.400 X 31.750 X 1.626 MM (1" X 1-1/4" X 0.064")
11	R26727	DRAIN PLUG	1		
12	15H624	PIPE PLUG	1		1/2"
13	R56407	FITTING	1		
14	RE45441	HOSE	1		
15	AU40690	ELBOW FITTING	1		
16	F3171R	O-RING	2		
17	19H3504	BOLT	2		3/8" X 5-3/8"
18	R27175	PIPE PLUG	1		
19	15H665	PIPE PLUG	1		3/4"

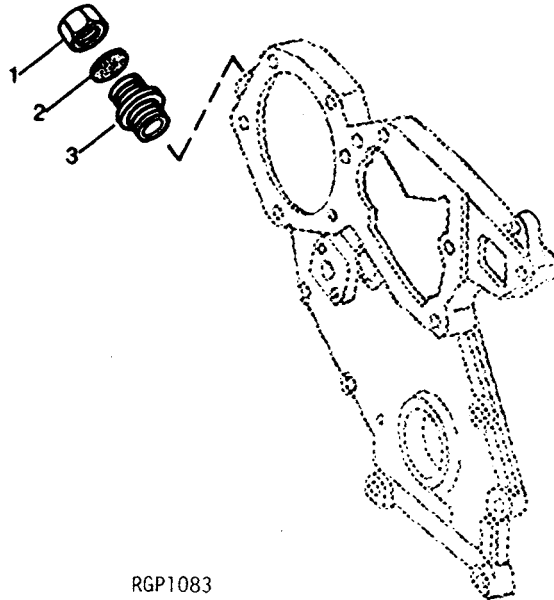
# 1G12

ENGINE 4

OILING SYSTEM 0407

## ENGINE OIL FILLER

RGP1083



RGP1083

KEY	PART NO.	PART NAME	QTY	ENGINE SERIAL NO.	REMARKS
1	T20294	CAP	1		
2	T20328	GASKET	1		
3	R50354	THREADED NIPPLE	1		

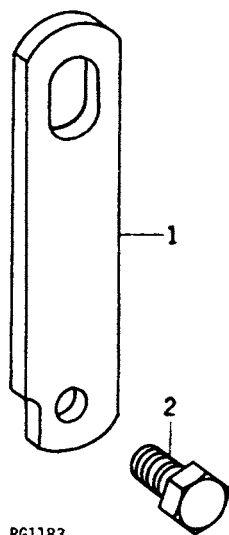
# 1G13

ENGINE 4

CYLINDER HEAD AND VALVES 0409

## LIFT STRAPS

RG1183



KEY	PART NO.	PART NAME	QTY	ENGINE SERIAL NO.	REMARKS
1	R61497	STRAP	2		
2	19H1756	CAP SCREW	2		5/8" X 1-1/2"



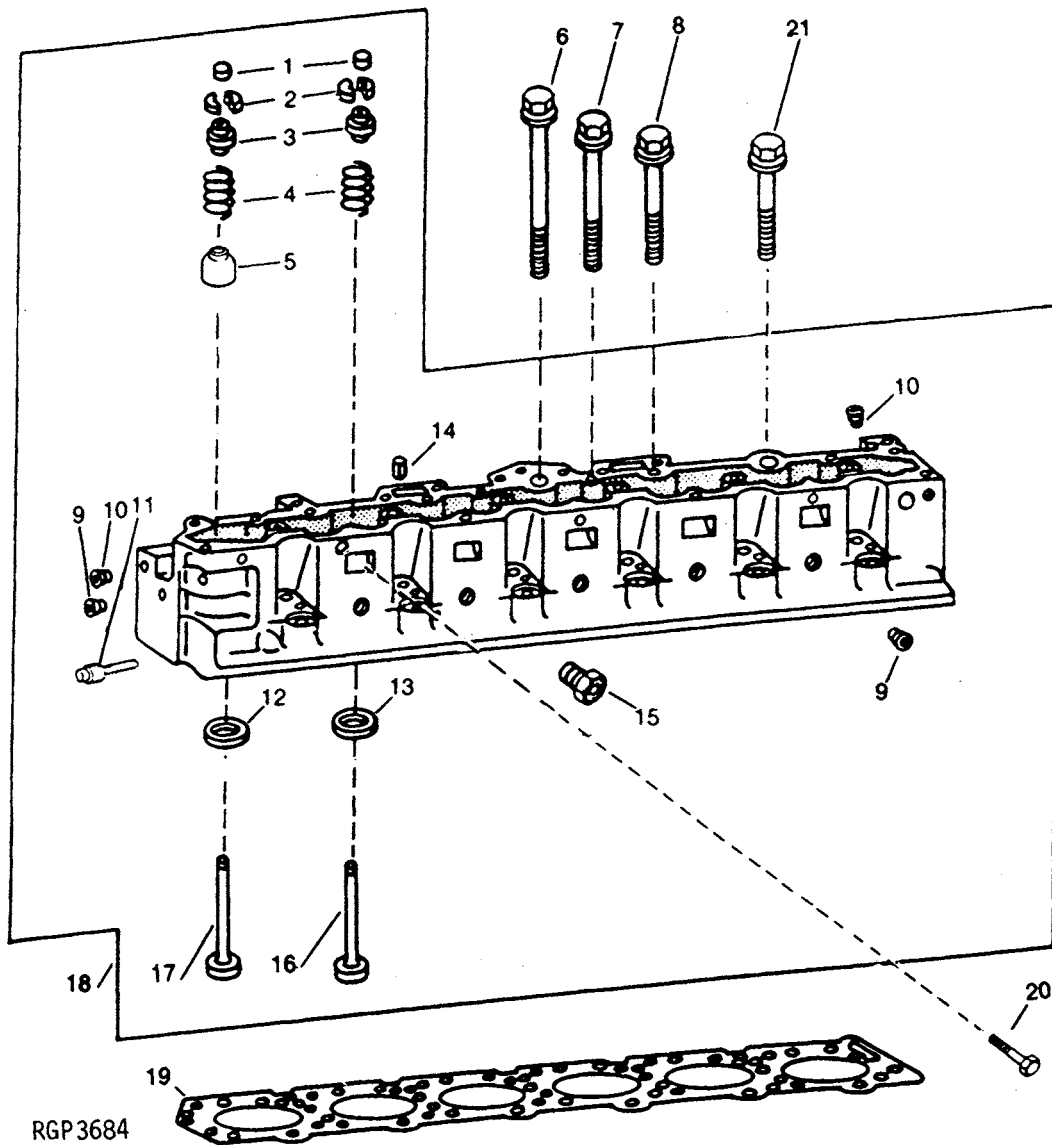
# 1G14

ENGINE 4

## CYLINDER HEAD AND VALVES

CYLINDER HEAD AND VALVES 0409

RGP3684



# 1G15

ENGINE 4

CYLINDER HEAD AND VALVES 0409

## CYLINDER HEAD AND VALVES - CONTINUED

KEY	PART NO.	PART NAME	QTY	ENGINE SERIAL NO.	REMARKS
1	T20129	CAP	12		
2	T20077	RETAINER	24		
3	RE11410	ROTATOR	12		
4	R91822	SPRING	12		
5	R102882	SHIELD	6		(EXHAUST VALVES ONLY)
6	R110289	CAP SCREW	7		
7	R110288	CAP SCREW	8		
8	R88043	SCREW	6		14.288 X 134.100 MM (0.563" X 5.280")
9	15H690	PIPE PLUG	10		3/4"
10	15H584	PIPE PLUG	2		1/2"
11	AT107509	PLUG	1		
12	R112070	VALVE SEAT INSERT	6		EXHAUST
	R93350	VALVE SEAT INSERT	AR		0.25MM (.010") OVERSIZE
13	R112069	VALVE SEAT INSERT	6		INTAKE
	R93349	VALVE SEAT INSERT	AR		0.25MM (.010") OVERSIZE
14	34H387	SPRING PIN	1		3/16" X 3/4"
15	R76491	PIPE PLUG	1		
16	R84618	INTAKE VALVE	6		STANDARD
	R93308	INTAKE VALVE	AR		0.08MM (.003") OVERSIZE
	R93312	INTAKE VALVE	AR		0.38MM (.015") OVERSIZE
	R93314	INTAKE VALVE	AR		0.76MM (.030") OVERSIZE
17	R84619	EXHAUST VALVE	6		STANDARD
	R93311	EXHAUST VALVE	AR		0.08MM (.003") OVERSIZE
	R93313	EXHAUST VALVE	AR		0.38MM (.015") OVERSIZE
	R93315	EXHAUST VALVE	AR		0.76MM (.030") OVERSIZE
18	RE42741	CYLINDER HEAD	1		(MARKED R102932)
19	RE47336	GASKET	1		
20	19H2367	CAP SCREW	1		5/8" X 3/4"
21	R110286	CAP SCREW	5		

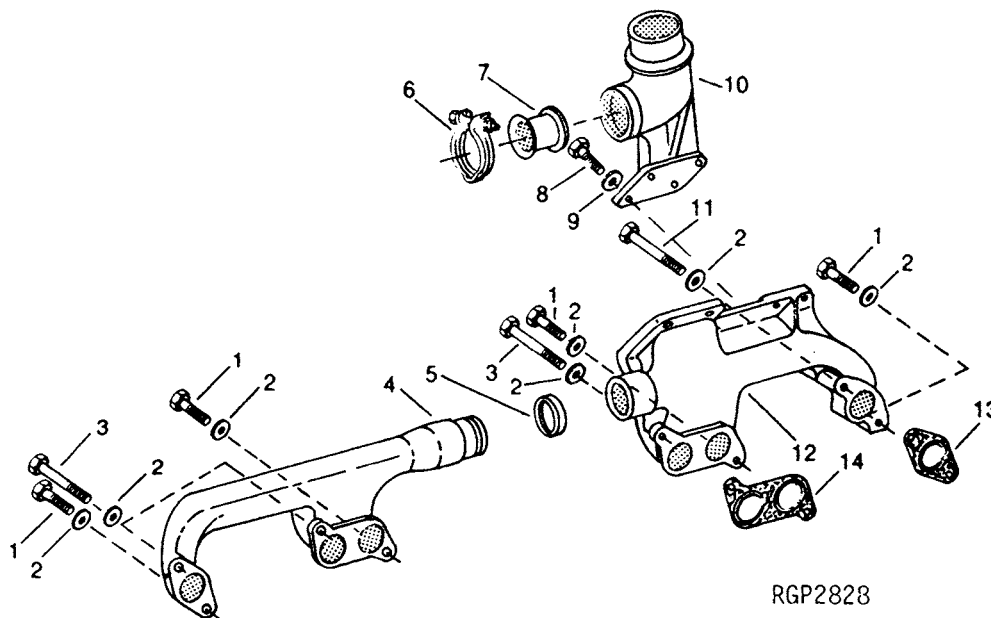
# 1G16

ENGINE 4

EXHAUST MANIFOLD 0410

## EXHAUST MANIFOLDS

RGP2828



KEY	PART NO.	PART NAME	QTY	ENGINE SERIAL NO.	REMARKS
1	19H1765	CAP SCREW	4		3/8" X 1-3/4"
2	R63845	WASHER	8		10.500 X 17.500 X 3 MM (0.413" X 0.689" X 0.118")
3	19H2128	CAP SCREW	3		3/8" X 3"
4	R46472	EXHAUST MANIFOLD	1		
5	R58109	RING	1		
6	AT103553	CLAMP	1		
7	R87732	ADAPTER	1		
8	R54500	SCREW	4		
9	24H1305	WASHER	4		
10	R92305	ELBOW FITTING	1		
11	19H2639	CAP SCREW	1		3/8" X 3-3/8"
12	R86029	EXHAUST MANIFOLD	1		
13	R83021	GASKET	2		
14	R83020	GASKET	2		

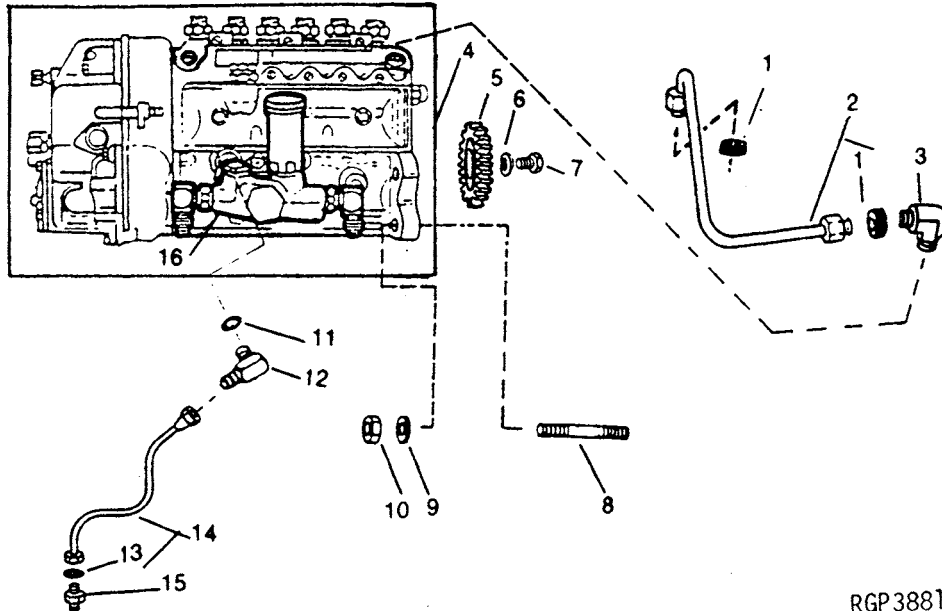
# 1G17

ENGINE 4

FUEL INJECTION SYSTEM 0413

## FUEL INJECTION PUMP AND LUBE PIPES

RGP3881



RGP3881

KEY	PART NO.	PART NAME	QTY	ENGINE SERIAL NO.	REMARKS
1	R51936	PACKING	2		
2	RE36812	FUEL LINE	1		
3	R67364	ELBOW FITTING	1		
4	RE47880	FUEL INJECTION PUMP	1		(A) (NIPPONDENSO)
5	R104590	GEAR	1		
6	R63845	WASHER	4		
7	19H3690	BOLT	4		
8	R55396	STUD	4		
9	M72490	WASHER	4		
10	E55662	FLANGE NUT	4		
11	R73858	O-RING	1		
12	AT32335	ELBOW FITTING	1		
13	R67264	PACKING	1		
14	RE50140	OIL LINE	1		
15	R76822	FITTING	1		
16	RE48606	FUEL PUMP	1		

(A) "SEE YOUR AUTHORIZED PUMP REPAIR STATION FOR PARTS NOT LISTED."

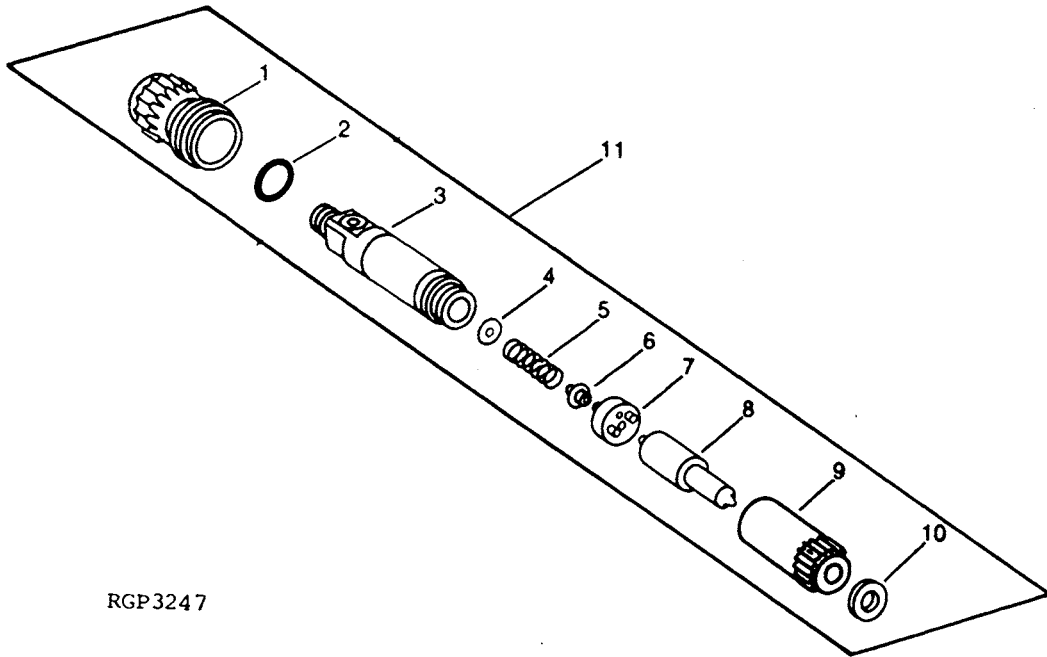
# 1G18

ENGINE 4

FUEL INJECTION SYSTEM 0413

## FUEL INJECTION NOZZLE (NIPPONDENSO)

RGP3247



RGP3247

# 1G19

ENGINE 4

FUEL INJECTION SYSTEM 0413

## FUEL INJECTION NOZZLE - CONTINUED (NIPPONDENSO)

KEY	PART NO.	PART NAME	QTY	ENGINE SERIAL NO.	REMARKS
1	R68035	NUT	1		
2	R69089	O-RING	1		
3	R115369	NOZZLE HOLDER	1		
4	R68036	SHIM	AR		0.70MM (.028")
	R90544	SHIM	AR		0.725MM (.0285")
	R68037	SHIM	AR		0.75MM (.030")
	R90543	SHIM	AR		0.775MM (.0305")
	R68038	SHIM	AR		0.80MM (.032")
	R90542	SHIM	AR		0.825MM (.0324")
	R68039	SHIM	AR		0.85MM (.034")
	R90541	SHIM	AR		0.875MM (.0344")
	R68040	SHIM	AR		0.90MM (.035")
	R90540	SHIM	AR		0.925MM (.0364")
	R68041	SHIM	AR		0.95MM (.037")
	R90539	SHIM	AR		0.0975MM (.0383")
	R68042	SHIM	AR		1.00MM (.039")
	R90538	SHIM	AR		1.025MM (.0403")
	R68043	SHIM	AR		1.05MM (.041")
	R90537	SHIM	AR		1.075MM (.0423")
	R68044	SHIM	AR		1.10MM (.043")
	R90536	SHIM	AR		1.125MM (.0443")
	R68045	SHIM	AR		1.15MM (.045")
	R90535	SHIM	AR		1.175MM (.0462")
	R68046	SHIM	AR		1.20MM (.047")
	R90534	SHIM	AR		1.225MM (.0482")
	R68047	SHIM	AR		1.25MM (.049")
	R90533	SHIM	AR		1.275MM (.0502")
	R68048	SHIM	AR		1.30MM (.051")
	R90532	SHIM	AR		1.325MM (.0522")
	R68049	SHIM	AR		1.35MM (.053")
	R90531	SHIM	AR		1.375MM (.0541")
	R68050	SHIM	AR		1.40MM (.055")
	R90530	SHIM	AR		1.425MM (.0561")
	R115368	SPRING	AR		1.45MM (.057")
	R90529	SHIM	AR		1.475MM (.0580")
	R68052	SHIM	AR		1.50MM (.059")
5	R68053	SPRING	1		
6	R94410	PLATE	1		
7	R94412	PLATE	1		
8	RE52110	INJECTION NOZZLE	1		
9	R94414	NUT	1		
10	R84472	WASHER	1		
11	RE30159	INJECTION NOZZLE	6		(NIPPONDENSO)

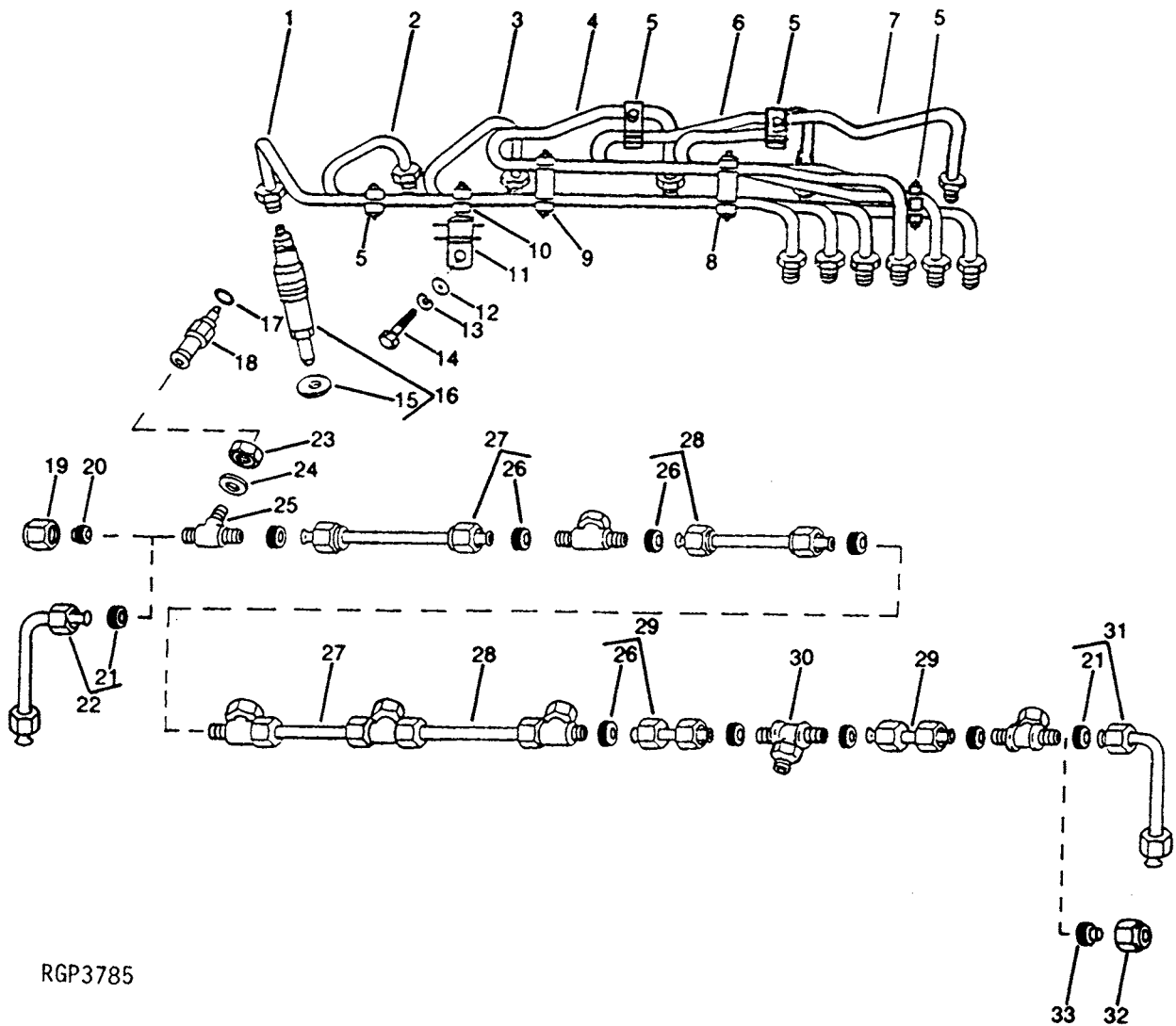
# 1G20

ENGINE 4

## FUEL INJECTION NOZZLES AND LINES

FUEL INJECTION SYSTEM 0413

RGP3785



RGP3785

# 1G21

ENGINE 4

## FUEL INJECTION NOZZLES AND LINES (6076HH031) - CONTINUED (ENGINE SERIAL NO. 500000- )

FUEL INJECTION SYSTEM 0413

KEY	PART NO.	PART NAME	QTY	ENGINE SERIAL NO.	REMARKS
1	RE47419	FUEL LINE	1		NO. 6
2	RE47718	FUEL LINE	1		NO. 5
3	RE47717	FUEL LINE	1		NO. 4
4	RE47716	FUEL LINE	1		NO. 3
5	R59305	STRAP	1		
	R58186	CLAMP	2		
	R61144	STRAP	1		
	21H1463	CAP SCREW	1		NO. 10 X 7/8"
6	RE47415	FUEL LINE	1		NO. 2
7	RE47714	FUEL LINE	1		NO. 1
8	R59298	STRAP	1		
	R71212	CLAMP	1		
	R59297	HALF CLAMP	2		
	R61145	STRAP	1		
	R71398	SCREW	2		NO. 10 X 1-1/2"
9	R59305	STRAP	1		
	R58186	CLAMP	1		
	R74030	CLAMP	1		
	R74804	CLAMP	1		
	R61144	STRAP	1		
	R71398	SCREW	1		NO. 10 X 1-1/2"
10	R59298	STRAP	1		
	R59297	HALF CLAMP	2		
	21H1463	CAP SCREW	2		NO. 10 X 7/8"
11	RE47120	ABSORBER	1		
12	24H1884	WASHER	1		13/32" X 13/16" X 0.120"
13	12M7066	LOCK WASHER	1		10.200 MM, (NO LONGER REQUIRED)
14	19M7166	CAP SCREW	1		M10 X 20
15	R84472	WASHER	6		7.360 X 18.160 X 2 MM (0.290" X 0.715" X 0.079")
16	RE30970	INJECTION NOZZLE	6		(ROBERT BOSCH)
17	R77551	O-RING	6		
18	R87082	FITTING	6		(ALSO ORDER R77551)
19	R51937	TUBE NUT	1		
20	AR85519	PLUG	1		
21	R51936	PACKING	1		
22	AR104650	FUEL LINE	NA		
23	R79604	TUBE NUT	6		
24	R79605	WASHER	6		
25	R79606	TEE FITTING	6		
26	R51936	PACKING	12		
27	RE15807	FUEL LINE	2		
28	RE15808	FUEL LINE	2		
29	RE36421	FUEL LINE	2		
30	R97061	TEE FITTING	1		
31	AR104650	FUEL LINE	1		
32	R51937	TUBE NUT	NA		
33	AR85519	PLUG	NA		



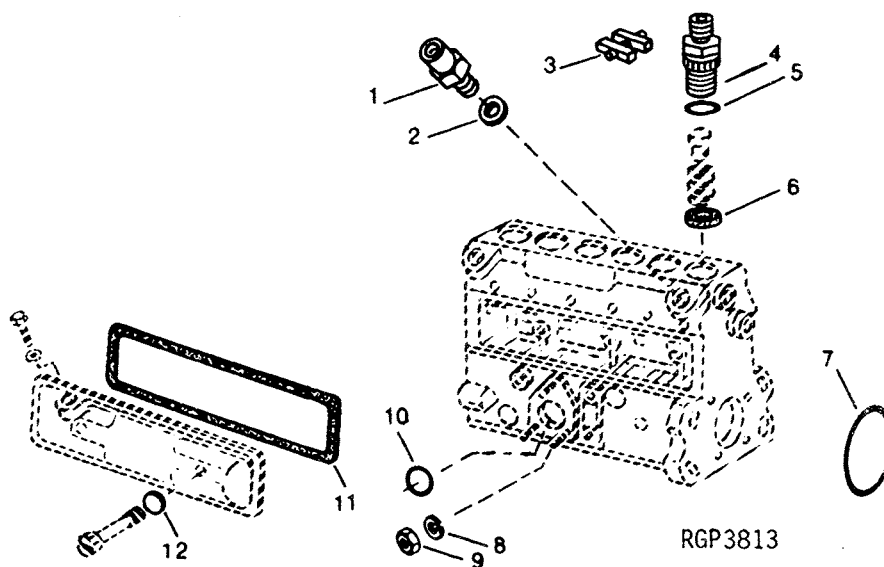
# 1G22

ENGINE 4

FUEL INJECTION SYSTEM 0413

## FUEL INJECTION PUMP HOUSING CONNECTORS (NIPPONDENSO)

RGP3813



KEY	PART NO.	PART NAME	QTY	ENGINE SERIAL NO.	REMARKS
1	RE10582	VALVE	1		
2	R64857	WASHER	1		
3	R77536	JAW	3		
4	R73817	HOLDER	6		
5	R73821	O-RING	6		
6	R73820	SHIM	6		
7	R73864	O-RING	1		
8	R64926	LOCK WASHER	3		
9	14M7272	NUT	3	M6	
10	R64927	O-RING	1		
11	R78774	GASKET	1		
12	R78773	PACKING	2		

# 1G23

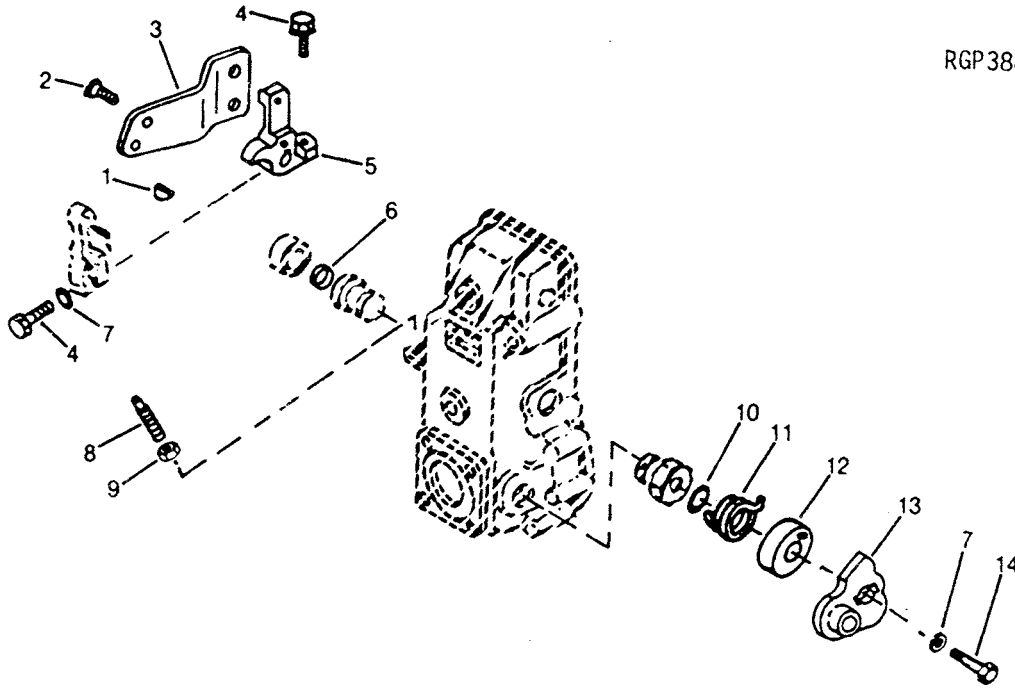
ENGINE 4

FUEL INJECTION SYSTEM 0413

## FUEL INJECTION PUMP GOVERNOR LEVERS (NIPPONDENSO)

RGP3882

RGP3882



KEY	PART NO.	PART NAME	QTY	ENGINE SERIAL NO.	REMARKS
1	R64968	SHAFT KEY	1		
2	19M8731	SCREW	2		M6 X 16
3	R112310	LEVER	1		(THROTTLE)
4	R64969	SCREW	2		
5	AR98286	LEVER	1		
6	AR81847	SEAL	1		
7	R64926	LOCK WASHER	2		
8	R73878	SET SCREW	1		
9	R73873	LOCK NUT	1		
10	R64997	O-RING	1		
11	R73879	SPRING	1		
12	R64995	RETAINER	1		
13	RE50696	LEVER	1		(SHUT-OFF)
14	R73885	SCREW	1		

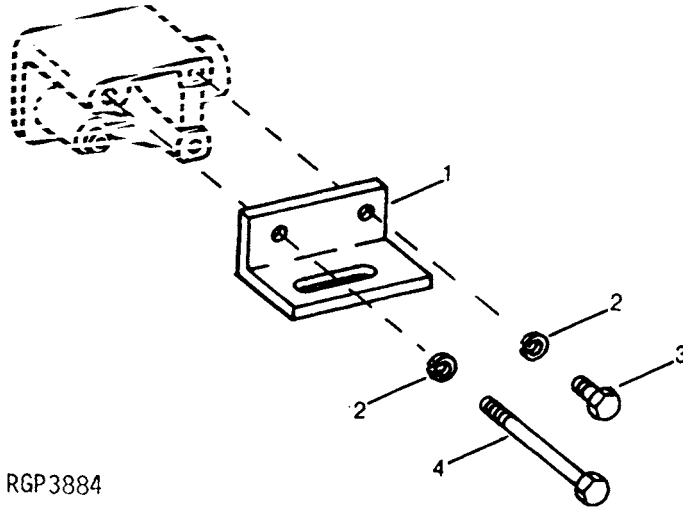
# 1G24

ENGINE 4

FUEL INJECTION SYSTEM 0413

## SPEED CONTROL BRACKET

RGP3884



KEY	PART NO.	PART NAME	QTY	ENGINE SERIAL NO.	REMARKS
1	R115414	BRACKET	1		
2	12H303	LOCK WASHER	2		
3	19H2127	CAP SCREW	1		5/16" X 7/8"
4	19H1921	CAP SCREW	1		5/16" X 3-1/4"

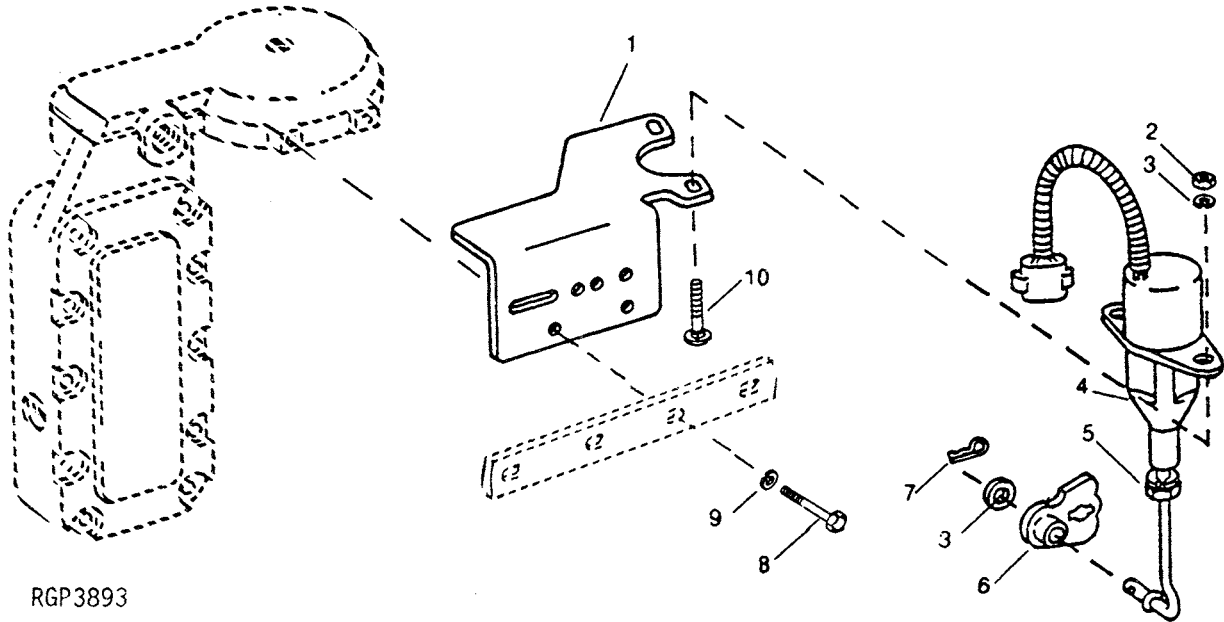
# 1G25

ENGINE 4

FUEL INJECTION SYSTEM 0413

## FUEL SHUT-OFF BRACKET AND ELECTRIC SHUT-OFF SOLENOID

RGP3893



RGP3893

KEY	PART NO.	PART NAME	QTY	ENGINE SERIAL NO.	REMARKS
1	R113407	BRACKET	2		
2	14M7165	LOCK NUT	2		M6
3	24M7105	WASHER	3		6 X 12 X 1.600 MM
4	RE50590	SOLENOID	1		
5	12M7006	LOCK WASHER	2		6.100 MM
	14H786	NUT	1		1/4"
6	RE50696	LEVER	1		
7	H132922	COTTER PIN	1		
8	19H2705	CAP SCREW	2		5/16" X 1"
9	24H1136	WASHER	2		11/32" X 11/16" X 0.065"
10	03M7068	BOLT	2		M6 X 20

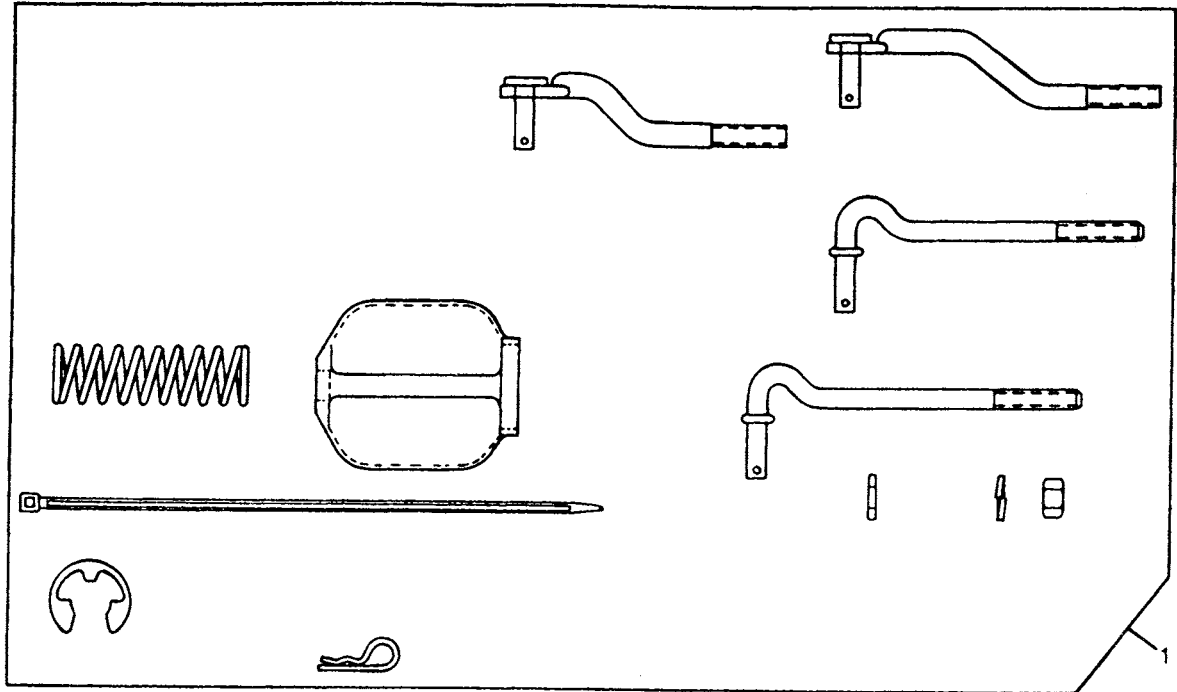
# 1H01

ENGINE 4

FUEL INJECTION SYSTEM 0413

## ELECTRIC SHUT-OFF SOLENOID KIT

RGP3789



RGP3789

KEY	PART NO.	PART NAME	QTY	ENGINE SERIAL NO.	REMARKS
1	RE50112	KIT	1		

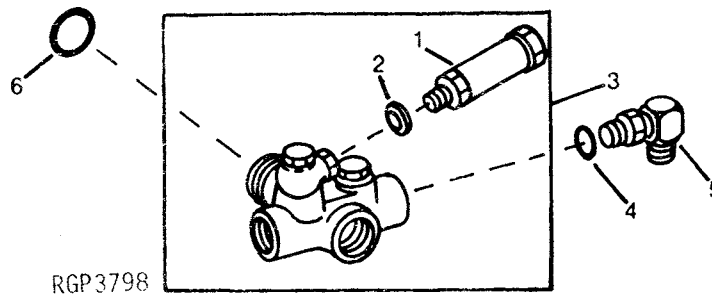
# 1H02

ENGINE 4

FUEL INJECTION SYSTEM 0413

## FUEL TRANSFER PUMP (NIPPONDENSO)

RGP3798



KEY	PART NO.	PART NAME	QTY	ENGINE SERIAL NO.	REMARKS
1	AR81825	HAND PRIMER	1		
2	R64854	WASHER	2		
3	RE48606	FUEL PUMP	1		
4	R26448	O-RING	2		
5	RE10258	ELBOW FITTING	2		
6	R64927	O-RING	1		

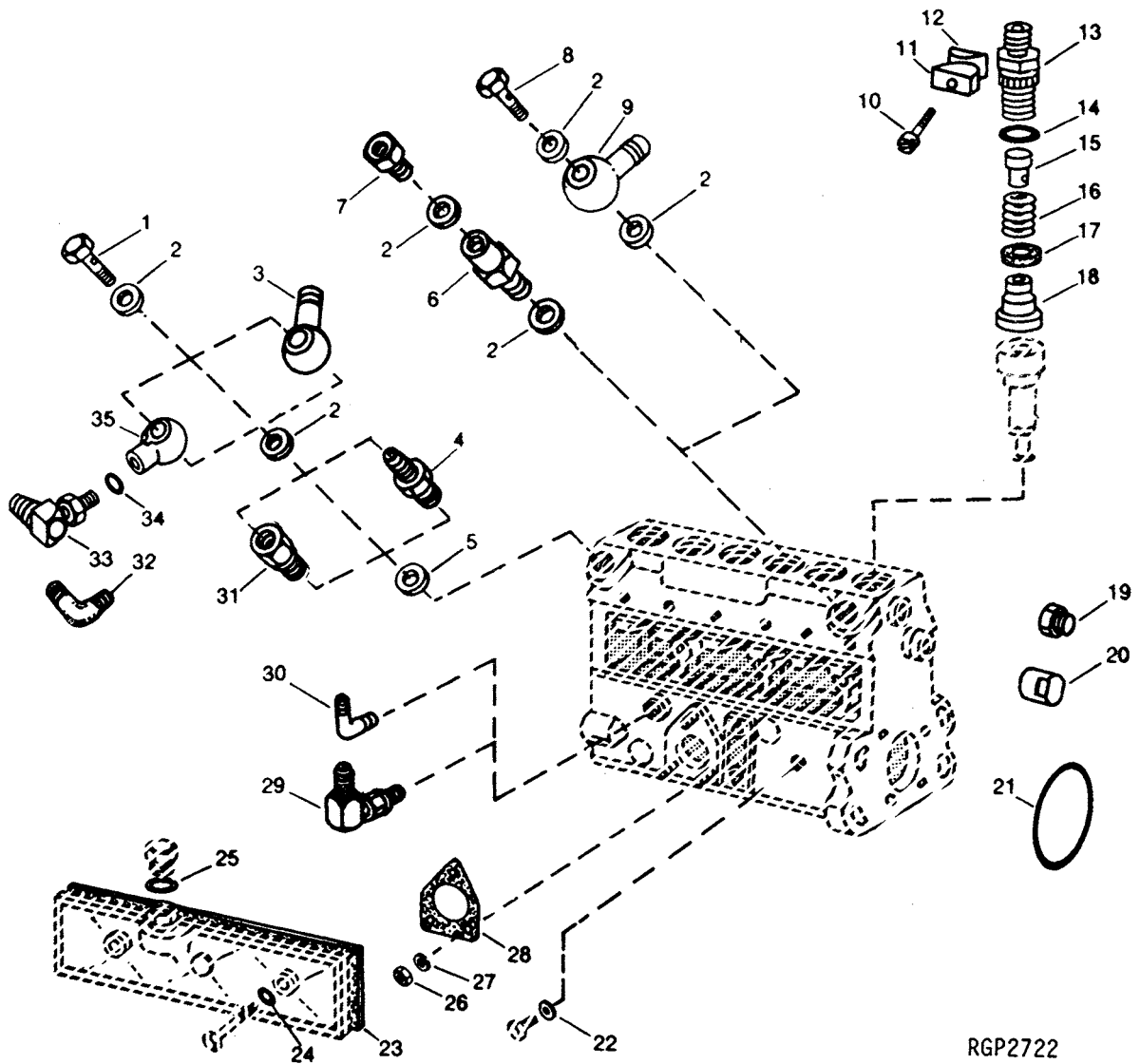
# 1H03

ENGINE 4

FUEL INJECTION SYSTEM 0413

## FUEL INJECTION PUMP HOUSING CONNECTORS

RGP2722



RGP2722

# 1H04

ENGINE 4

## FUEL INJECTION PUMP HOUSING CONNECTORS - CONTINUED

FUEL INJECTION SYSTEM 0413

KEY	PART NO.	PART NAME	QTY	ENGINE SERIAL NO.	REMARKS
1	.....	FITTING	NA		
2	R53901	WASHER	2		
3	.....	FITTING	NA		
4	R83490	FITTING	1		
5	R53899	WASHER	1		
6	AR77114	VALVE	1		
7	R63016	ADAPTER	1		
8	.....	VALVE	NA		
9	.....	FITTING	NA		
	.....	FITTING	NA		
10	R54859	SCREW	3		
11	R54857	JAW	3		
12	R54856	JAW	3		
13	R63065	HOLDER	6		
	.....	NOZZLE HOLDER	NA		
14	R54856	O-RING	6		
15	R54881	INSERT	6		
16	R54854	SPRING	6		
17	R54853	SHIM	6		
18	.....	VALVE	NA		
	.....	VALVE	NA		
	.....	VALVE	NA		
	RE16360	VALVE	6		
19	AR69158	CAP	1		
20	.....	CAP	NA		
21	R54873	O-RING	1		
22	R62107	WASHER	1		
23	R68435	GASKET	1		
24	.....	O-RING	NA		
	R67877	O-RING	2		
25	.....	WASHER	NA		
26	T31556	NUT	3		
27	T24229	LOCK WASHER	3		
28	R67879	GASKET	1		
29	.....	FITTING	NA		
30	.....	FITTING	NA		
31	.....	ADAPTER	NA		
	.....	FITTING	NA		
32	.....	FITTING	NA		
33	.....	FITTING	NA		
34	.....	O-RING	NA		
35	.....	FITTING	NA		



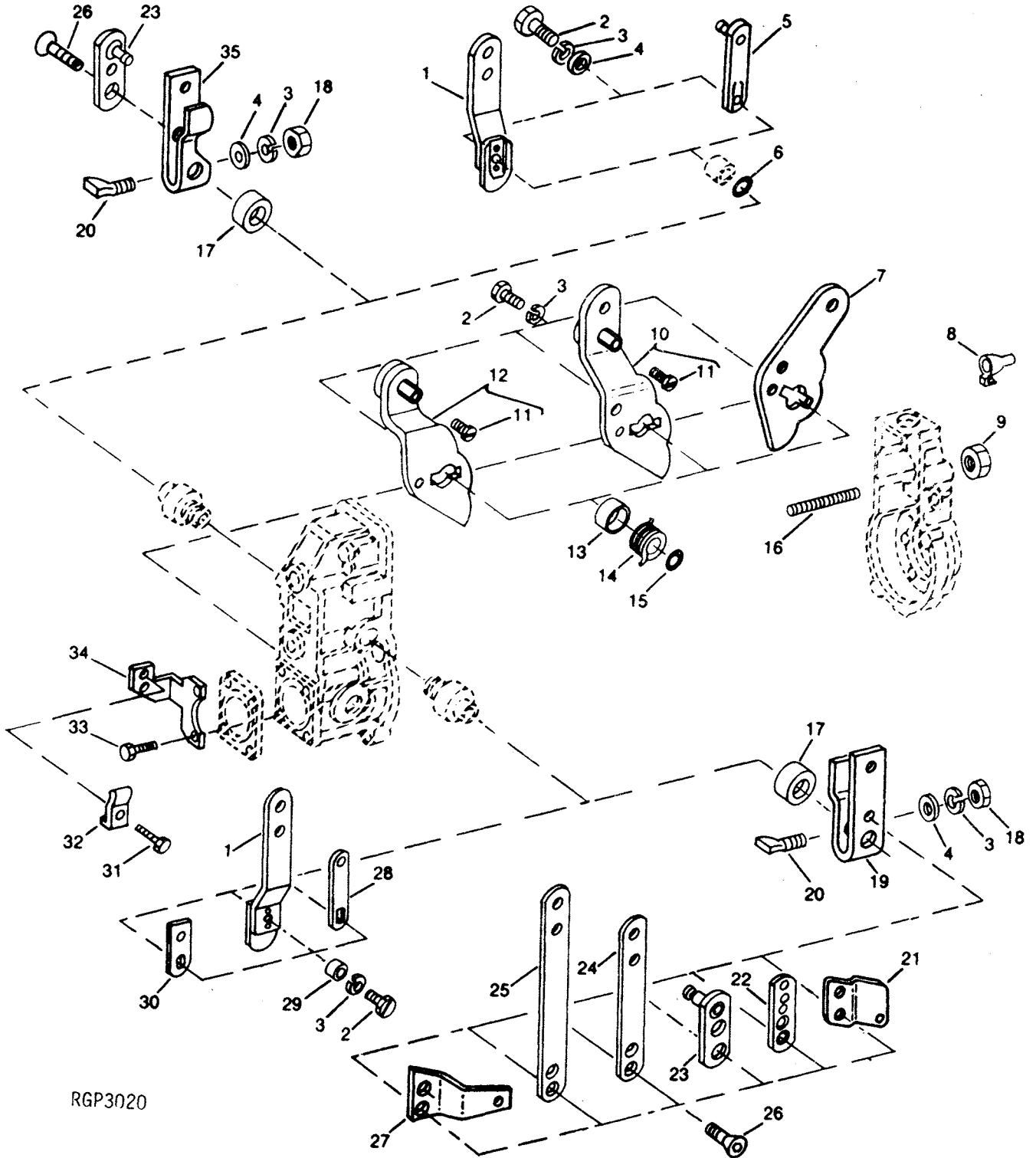
# 1H05

ENGINE 4

FUEL INJECTION SYSTEM 0413

## FUEL INJECTION PUMP GOVERNOR LEVERS AND CONTROLS

RGP3020



# 1H06

ENGINE 4

FUEL INJECTION SYSTEM 0413  
**FUEL INJECTION PUMP GOVERNOR LEVERS AND CONTROLS - CONTINUED**

KEY	PART NO.	PART NAME	QTY	ENGINE SERIAL NO.	REMARKS
1	.....	LEVER	NA		
2	R53976	SCREW	1		
	.....	CAP SCREW	NA		
3	T24229	LOCK WASHER	2		
4	24M7054	WASHER	1		6.400 X 12 X 1.600 MM
5	.....	LEVER	NA		
6	.....	O-RING	NA		
7	.....	LEVER	NA		
8	R53918	PACKING	1		
9	T31556	NUT	1		
10	.....	LEVER	NA		
11	R60921	SCREW	1		
12	AR89792	LEVER	1		(SHUT-OFF)
13	R68438	RETAINER	1		
14	R54922	SPRING	1		
	.....	SPRING	NA		
15	R53955	O-RING	1		
16	R60914	SET SCREW	1		
17	AR89339	SEAL	1		
18	R68716	NUT	1		
19	.....	LEVER	NA		
20	R68715	PIN	1		
21	.....	LEVER	NA		
22	.....	LEVER	NA		
23	.....	LEVER	NA		
24	R68275	LEVER	1		(THROTTLE)(ADW01, 02)
	R68275	LEVER	1		(THROTTLE) (TDW01, 02) (ADW03)
25	R81295	LEVER	1		(SUB R68275) (THROTTLE)(TDW01)
26	19M7692	SCREW	2		M6 X 16
27	.....	LEVER	NA		
28	.....	LEVER	NA		
	.....	LEVER	NA		
29	.....	SPACER	NA		
30	.....	LEVER	NA		
31	.....	SCREW	NA		
32	.....	CLIP	NA		
33	.....	CAP SCREW	NA		
34	.....	BRACKET	NA		
35	AR89576	LEVER	1		

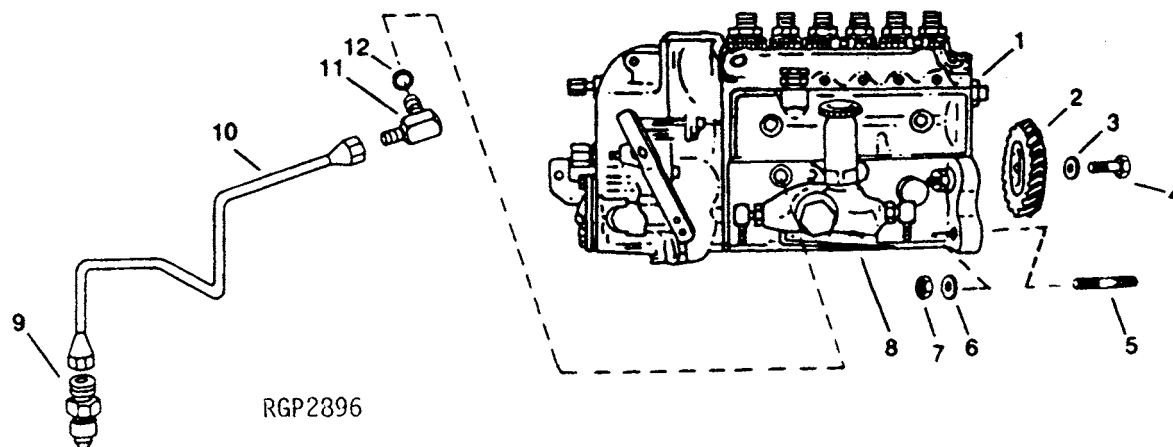
# 1H07

ENGINE 4

FUEL INJECTION SYSTEM 0413

## FUEL INJECTION PUMP AND LUBE LINES (ENGINE SERIAL NO. -101062)

RGP2896



KEY	PART NO.	PART NAME	QTY	ENGINE SERIAL NO.	REMARKS
1	RE29529	FUEL INJECTION PUMP	1		(A) (B) (ROBERT BOSCH) (PES6A100D410RS2741) (SUB RE29255) (ALSO ORDER R68275 AND (2) 19M7692)
	RE29255	FUEL INJECTION PUMP	1		(A) (B) (ROBERT BOSCH) (PES6A100D410RS2754) (ALSO ORDER R68275 AND (2) 19M7692)
	RE29255	FUEL INJECTION PUMP	1		(A) (B) (ROBERT BOSCH) (PES6A100D410RS2762) (ALSO ORDER R68275 AND (2) 19M7692)
	RE35847	FUEL INJECTION PUMP	1		(A) (C) (ROBERT BOSCH) (PES6A110D410RS2754) (ALSO ORDER R68275 AND (2) 19M7692)
	RE35847	FUEL INJECTION PUMP	1		(A) (C) (ROBERT BOSCH) (PES6A100D410RS2762) (ALSO ORDER R68275 AND (2) 19M7692)
2	R67380	GEAR	1		
3	R63845	WASHER	4		
4	19H3336	BOLT	4		3/8" X 7/8"
5	R55396	STUD	4		
6	M72490	WASHER	4		
7	E55662	FLANGE NUT	4		
8	RE18708	FUEL PUMP	1		(B)
	RE20042	FUEL PUMP	1		(C)
9	R39832	ADAPTER	1		(USE WITH AR91012)
10	AR91012	LINE	1		
11	AR26746	ELBOW FITTING	1		
12	R79060	O-RING	1		

(A) \*SEE YOUR AUTHORIZED PUMP REPAIR STATION FOR PARTS NOT LISTED.\*  
 (B) 6076TDW01  
 (C) 6076ADW01, 02

**MEMORANDA**

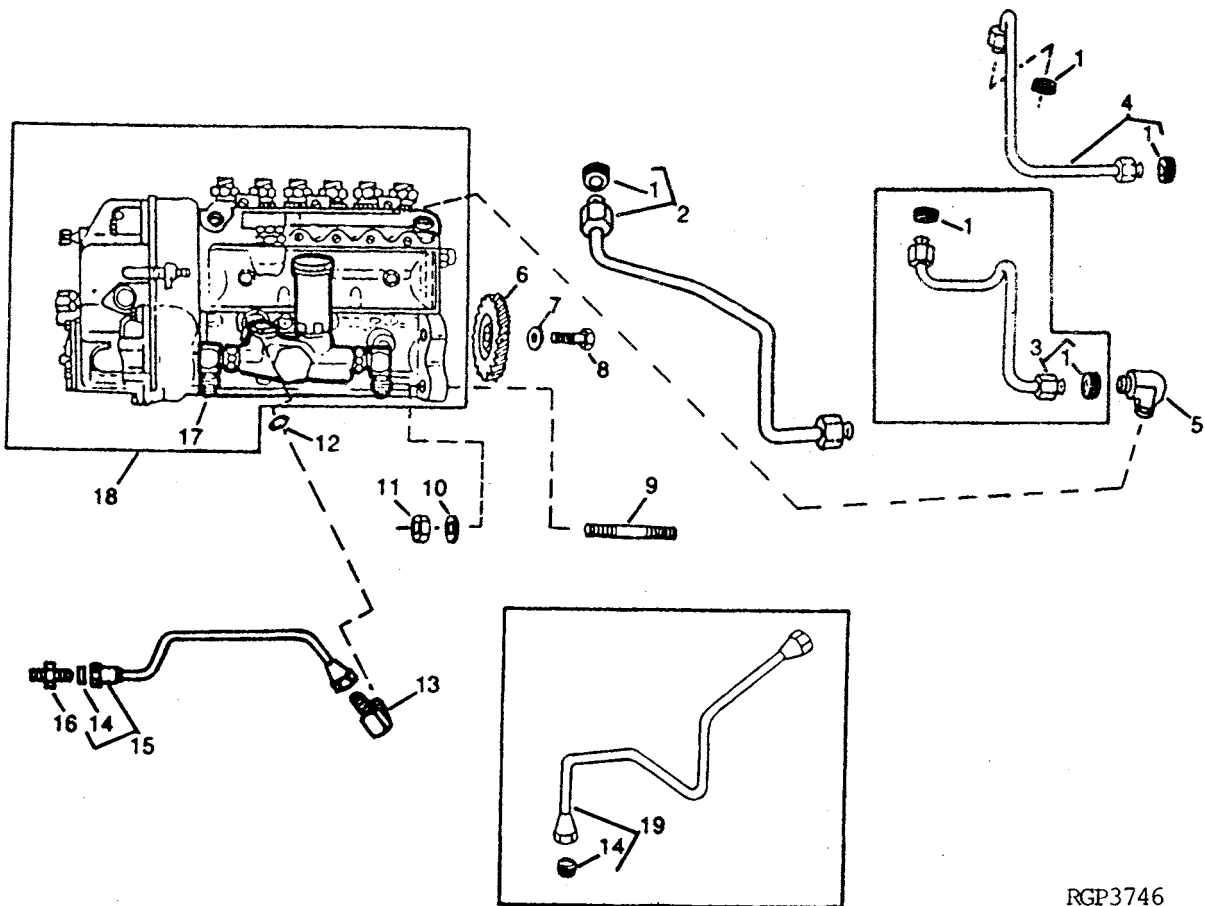
# 1H08

ENGINE 4

FUEL INJECTION SYSTEM 0413

## FUEL INJECTION PUMP, LUBE LINE, AND LEAK-OFF LINE

RGP3746



RGP3746

# 1H09

ENGINE 4

FUEL INJECTION SYSTEM 0413  
**FUEL INJECTION PUMP, LUBE LINE, AND LEAK-OFF LINE - CONTINUED**

KEY	PART NO.	PART NAME	QTY	ENGINE SERIAL NO.	REMARKS
1	R51936	PACKING	2		
2	RE48452	FUEL LINE	1		(ADW01 OR TDW01 ONLY)
3	RE42691	FUEL LINE	1		(ADW01 OR TDW01 ONLY)
4	RE36812	FUEL LINE	1		(ADW02 ONLY)
	RE36812	FUEL LINE	1		(ADW01 OR TDW01 ONLY)
5	R67364	ELBOW FITTING	1		
6	R67380	GEAR	1		
7	R63845	WASHER	4		
8	19H3336	BOLT	4		3/8" X 7/8"
9	R55396	STUD	4		
10	M72490	WASHER	4		(SUB FOR R42729)
11	E55662	FLANGE NUT	4		3/8"
12	R73858	O-RING	1		
13	AT32335	ELBOW FITTING	1		
14	R67264	PACKING	1		
15	RE49899	OIL LINE	1		(B)
	RE49899	OIL LINE	1		(C)
16	R76822	FITTING	1		(USE WITH RE33486, RE38732 OR RE49899)
17	RE18708	FUEL PUMP	1		(B)
	RE20042	FUEL PUMP	1		(C)
18	RE29529	FUEL INJECTION PUMP	1		(A) (B) (ROBERT BOSCH) (PES6A100D410RS2741) (SUB RE29255) (ALSO ORDER R68275 AND (2) 19M7692)
	RE29255	FUEL INJECTION PUMP	1		(A) (B) (ROBERT BOSCH) (PES6A100D410RS2754) (ALSO ORDER R68275 AND (2) 19M7692)
	RE29255	FUEL INJECTION PUMP	1		(A) (B) (ROBERT BOSCH) (PES6A100D410RS2762) (ALSO ORDER R68275 AND (2) 19M7692)
	RE35847	FUEL INJECTION PUMP	1		(A) (C) (ROBERT BOSCH) (PES6A110D410RS2754) (ALSO ORDER R68275 AND (2) 19M7692)
	RE35847	FUEL INJECTION PUMP	1		(A) (C) (ROBERT BOSCH) (PES6A110D410RS2762) (ALSO ORDER R68275 AND (2) 19M7692)
19	RE38732	OIL LINE	1		(B)
	RE38732	OIL LINE	1		(C)

(A) "SEE YOUR AUTHORIZED PUMP REPAIR STATION FOR PARTS NOT LISTED."  
 (B) 6076TDW01  
 (C) 6076ADW01, 02

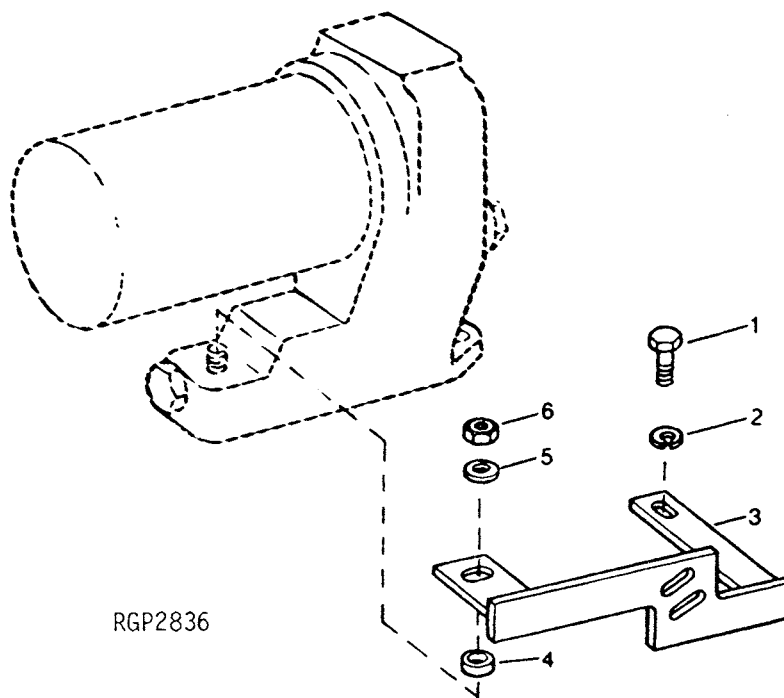
# 1H10

ENGINE 4

FUEL INJECTION SYSTEM 0413

## SPEED CONTROL BRACKET

RGP2836



KEY	PART NO.	PART NAME	QTY	ENGINE SERIAL NO.	REMARKS
1	19H1732	CAP SCREW	1		3/8" X 1-1/4"
	19H2545	CAP SCREW	1		3/8" X 1-3/8"
	19H2549	CAP SCREW	1		3/8" X 1-7/8", (USE WITH AT129554)
2	12H304	LOCK WASHER	1		3/8"
	AT103289	BRACKET	1		
3	AT129554	BRACKET	1		
	28H2457	WASHER	1		0.423" X 0.675" X 1/4", (USE WITH AT103289)
4	28H2481	SPACER	1		(USE WITH AT129554)
	M72490	WASHER	1		
6	14H1076	NUT	1		3/8"

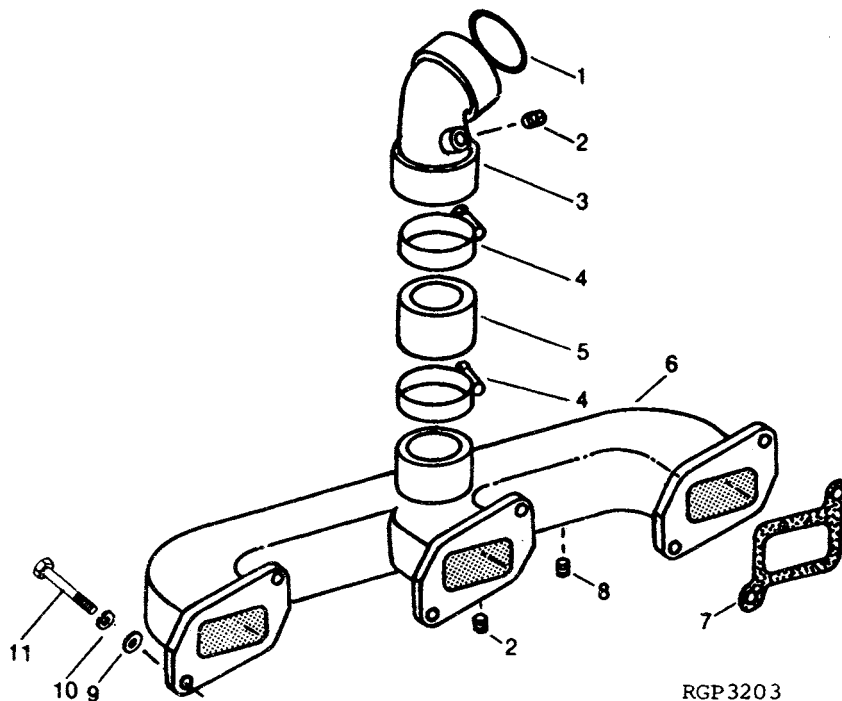
# 1H11

ENGINE 4

INTAKE MANIFOLD 0414

## INTAKE MANIFOLD

RGP3203



KEY	PART NO.	PART NAME	QTY	ENGINE SERIAL NO.	REMARKS
1	R86743	O-RING	1		
2	15H666	PIPE PLUG	2	3/8"	
3	R86898	COUPLING	1		
4	AT37478	CLAMP	2		
5	R43605	HOSE	1		76 MM X 51 MM (3" X 2")
6	R89790	INTAKE MANIFOLD	1		(MARKED R89790 OR R104706)
7	R102838	GASKET	3		
8	R104592	PIPE PLUG	1		
9	24H1304	WASHER	6		13/32" X 23/32" X 0.120"
10	12H304	LOCK WASHER	6	3/8"	
11	19H2545	CAP SCREW	6	3/8" X 1-3/8"	



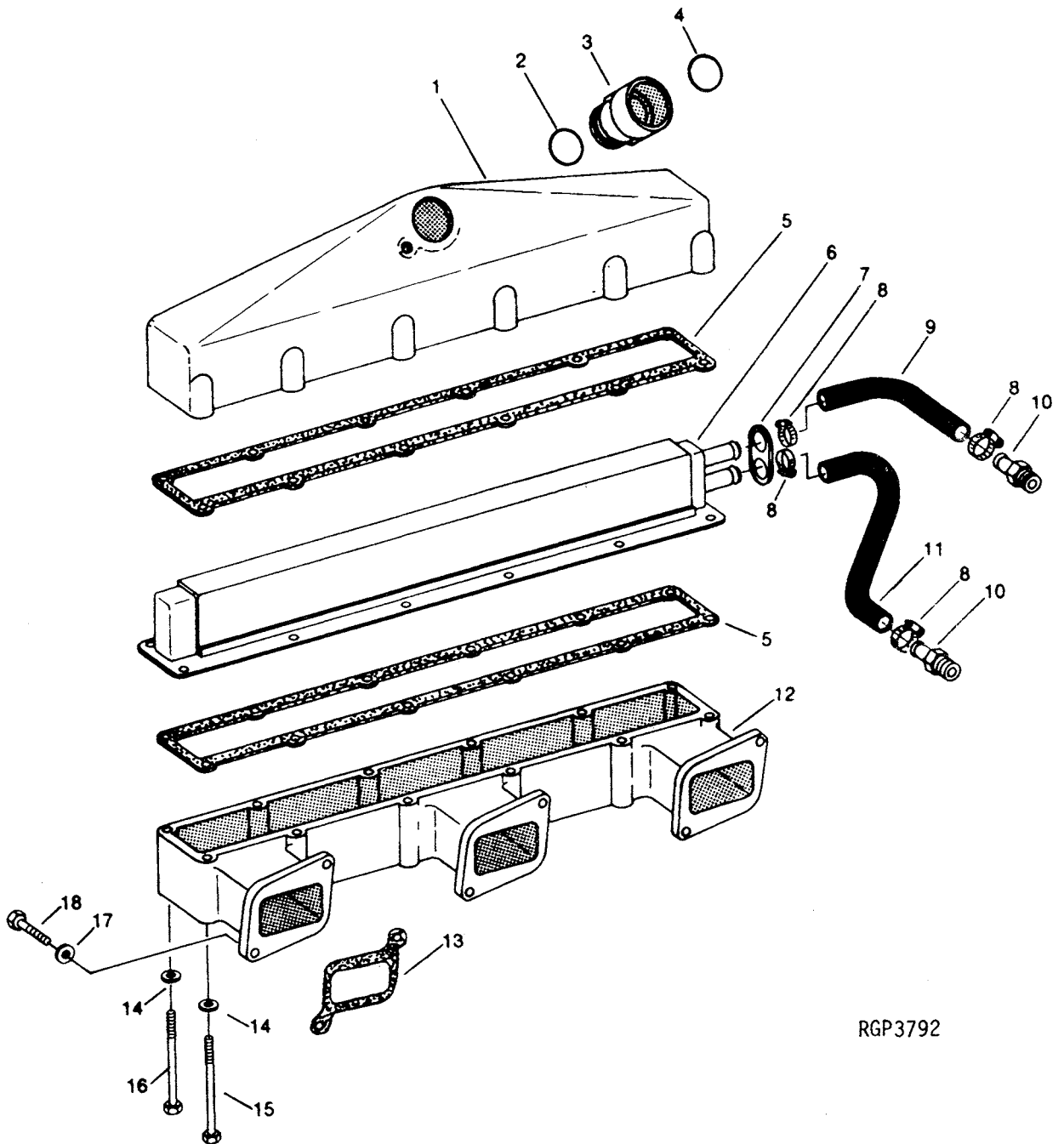
# 1H12

ENGINE 4

## AFTERCOOLER AND INTAKE MANIFOLD

INTAKE MANIFOLD 0414

RGP3792



RGP3792

# 1H13

ENGINE 4

INTAKE MANIFOLD 0414

**AFTERCOOLER AND INTAKE MANIFOLD - CONTINUED**

KEY	PART NO.	PART NAME	QTY	ENGINE SERIAL NO.	REMARKS
1	R90995	COVER	1		
2	R50405	O-RING	1		
3	R86091	COUPLING	1		
4	R86743	O-RING	1		
5	R88993	GASKET	2		
6	RE31029	AFTERCOOLER	1		
7	R100911	SEAL	1		
8	RE38535	CLAMP	4		
9	R88995	HOSE	1		
10	H33801	HOSE FITTING	2		
11	R93616	HOSE	1		
12	R91466	INTAKE MANIFOLD	1		
13	R102838	GASKET	3		
14	24H1136	WASHER	12		11/32" X 11/16" X 0.065"
15	19H3300	CAP SCREW	6		5/16" X 3-3/4"
16	19H3300	CAP SCREW	6		5/16" X 3-3/4"
17	24H1682	WASHER	6		13/32" X 7/8" X 0.120"
18	19H1800	CAP SCREW	6		3/8" X 1-1/2"

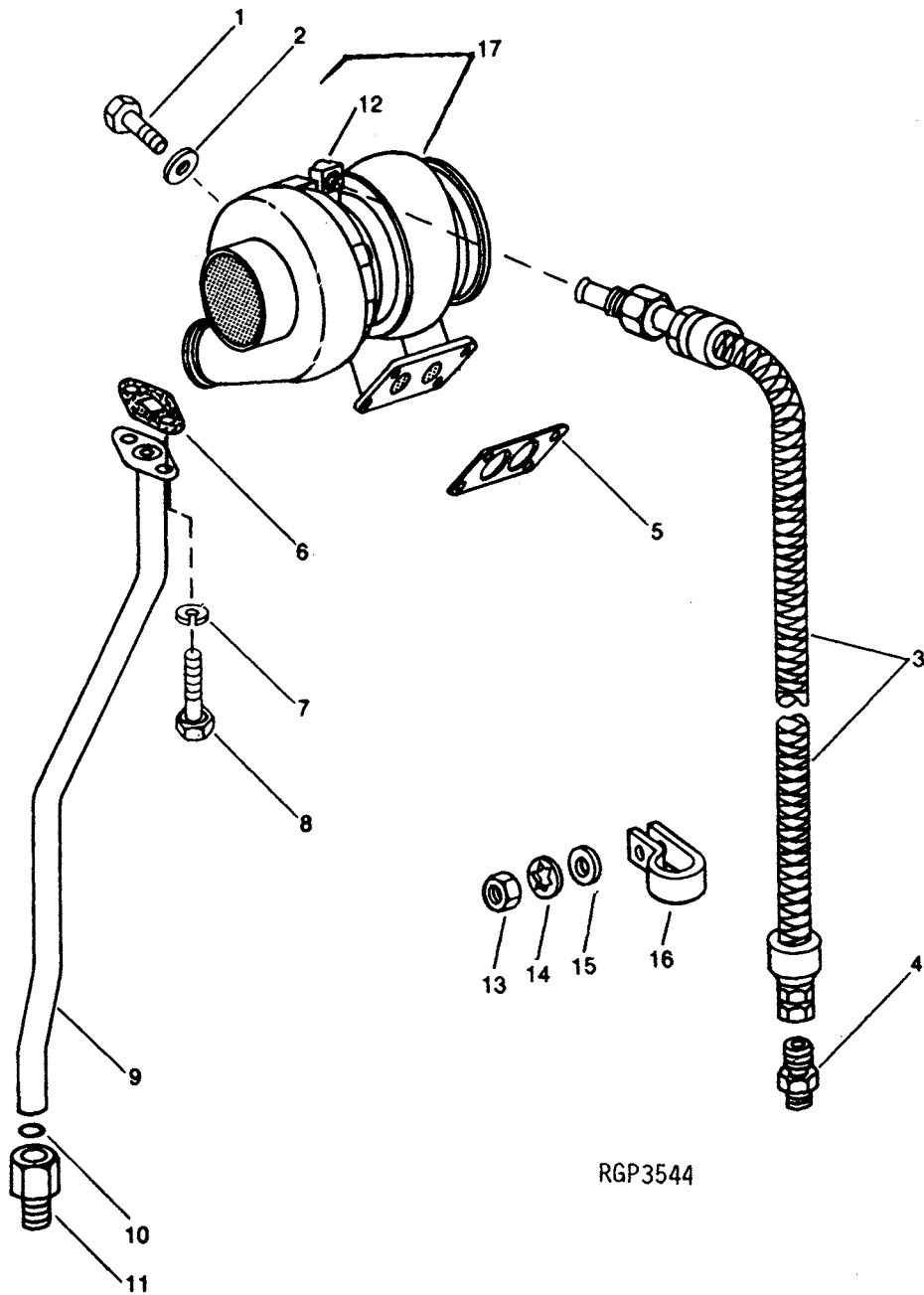
# 1H14

ENGINE 4

TURBOCHARGER 0416

## TURBOCHARGER AND OIL LINES

RGP3544



RGP3544

# 1H15

ENGINE 4

TURBOCHARGER 0416

## TURBOCHARGER AND OIL LINES - CONTINUED

KEY	PART NO.	PART NAME	QTY	ENGINE SERIAL NO.	REMARKS
1	R54500	SCREW	4		9.525 X 25.400 MM (3/8" X 1")
2	24H1305	WASHER	4		13/32" X 13/16" X 0.065"
3	RE20231	OIL LINE	1		
4	A4925R	FITTING	1		
5	R89879	GASKET	1		
6	R105346	GASKET	1		
7	12H304	LOCK WASHER	3		3/8"
8	19H1936	CAP SCREW	2		3/8" X 3/4"
9	RE41286	OIL LINE	1		
10	R73599	O-RING	1		
11	R102981	ADAPTER	1		
12	T11180	ELBOW FITTING	1		
13	14H786	NUT	1		1/4"
14	12H297	LOCK WASHER	1		1/4"
15	24H753	WASHER	1		9/32" X 5/8" X 0.049"
16	AH80916	CLIP	1		
17	RE31258	TURBOCHARGER	1		(REMANUFACTURED) (GARRETT)
	RE38343	TURBOCHARGER	1		(REMANUFACTURED) (SCHWITZER)

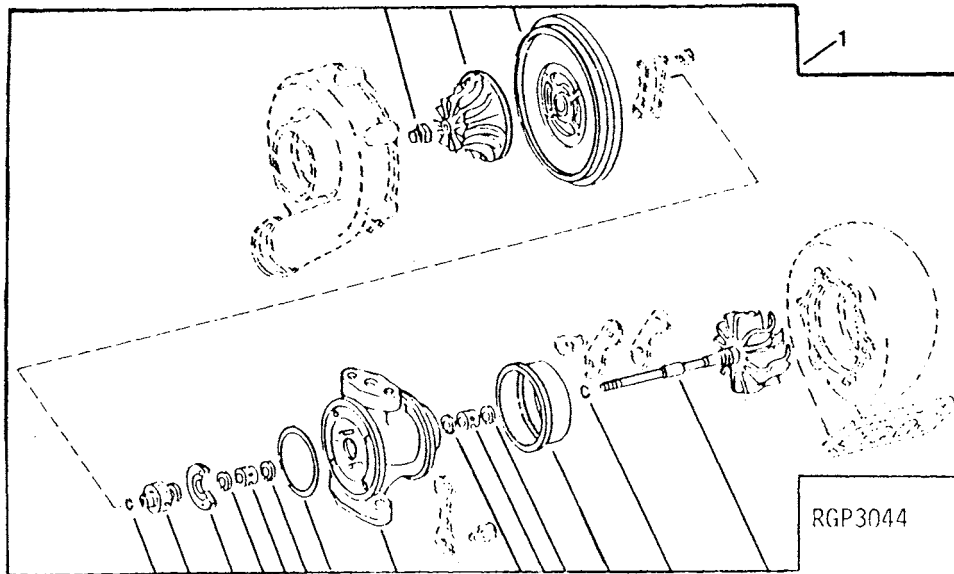
# 1H16

ENGINE 4

TURBOCHARGER 0416

## TURBOCHARGER CENTER HOUSING WITH ROTATING PARTS (AIRESEARCH)

RGP3044



KEY	PART NO.	PART NAME	QTY	ENGINE SERIAL NO.	REMARKS
1	RE29488	HOUSING	1		
..	RE38346	KIT	1		

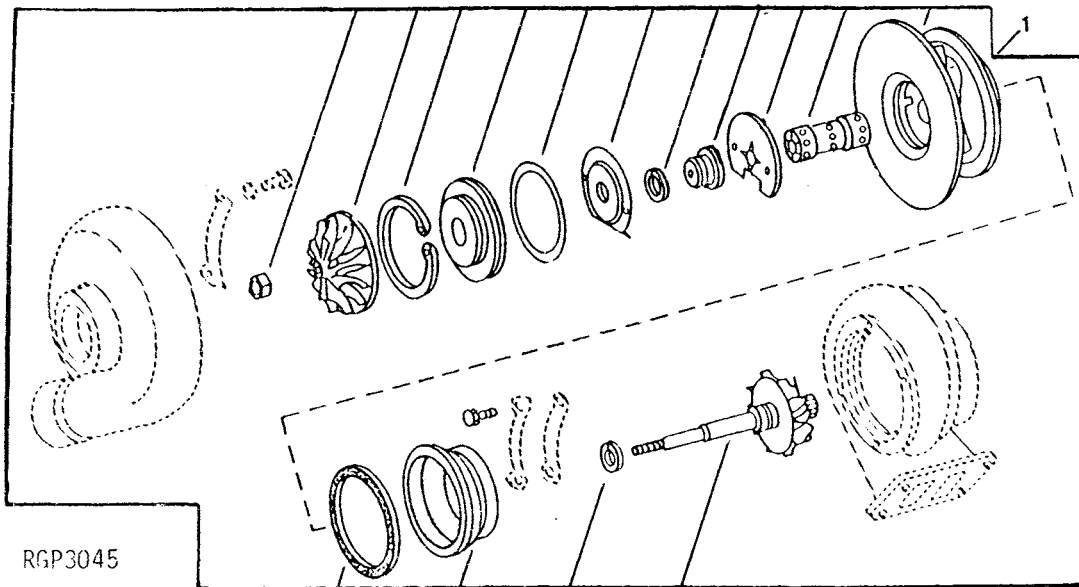
# 1H17

ENGINE 4

TURBOCHARGER 0416

## TURBOCHARGER CENTER HOUSING WITH ROTATING PARTS (SCHWITZER)

RGP3045



KEY	PART NO.	PART NAME	QTY	ENGINE SERIAL NO.	REMARKS
1	RE38331	HOUSING	1		
..	RE38288	KIT	1		

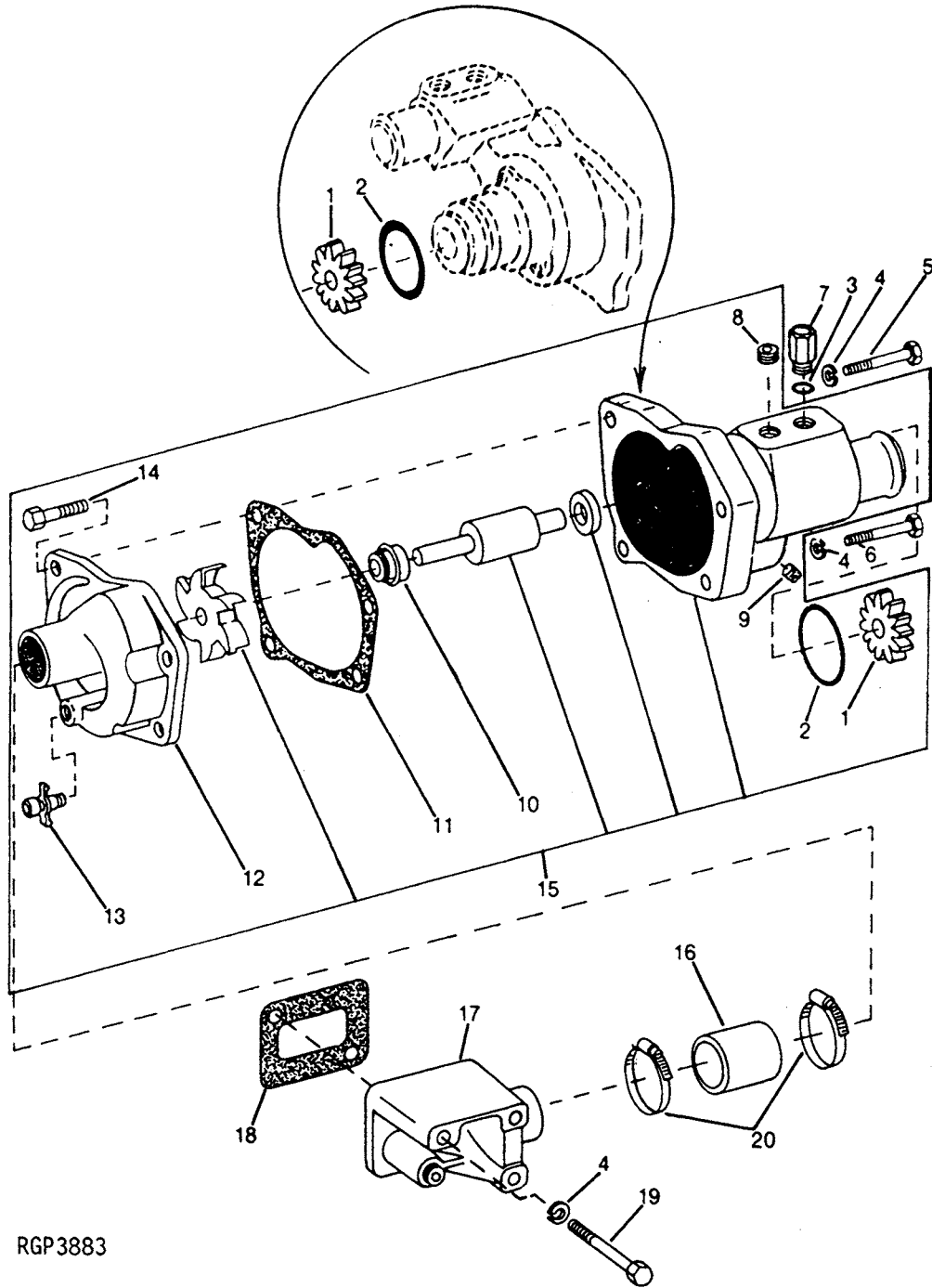
# 1H18

ENGINE 4

## WATER PUMP

WATER PUMP 0417

RGP3883



RGP3883

# 1H19

ENGINE 4

## WATER PUMP - CONTINUED

WATER PUMP 0417

KEY	PART NO.	PART NAME	QTY	ENGINE SERIAL NO.	REMARKS
1	R104591	GEAR	1		
2	R101042	O-RING	1		
3	R72328	O-RING	1		
4	12H303	LOCK WASHER	4		
5	R112269	CAP SCREW	1		
6	R112267	CAP SCREW	1		
7	R41285	ADAPTER	1		
8	15H624	PIPE PLUG	AR		1/2"
9	R100369	PLUG	2		
10	RE45337	SEAL	1		
11	R100367	GASKET	1		
12	R100364	COVER	1		
13	AL25651	DRAIN VALVE	1		
14	R112268	CAP SCREW	4		
15	RE39121	WATER PUMP	1		(MARKED R100363)
16	R96622	HOSE	1		
17	R96606	COVER	1		
18	R96616	GASKET	1		
19	R105732	CAP SCREW	2		
20	RE43166	CLAMP	2		



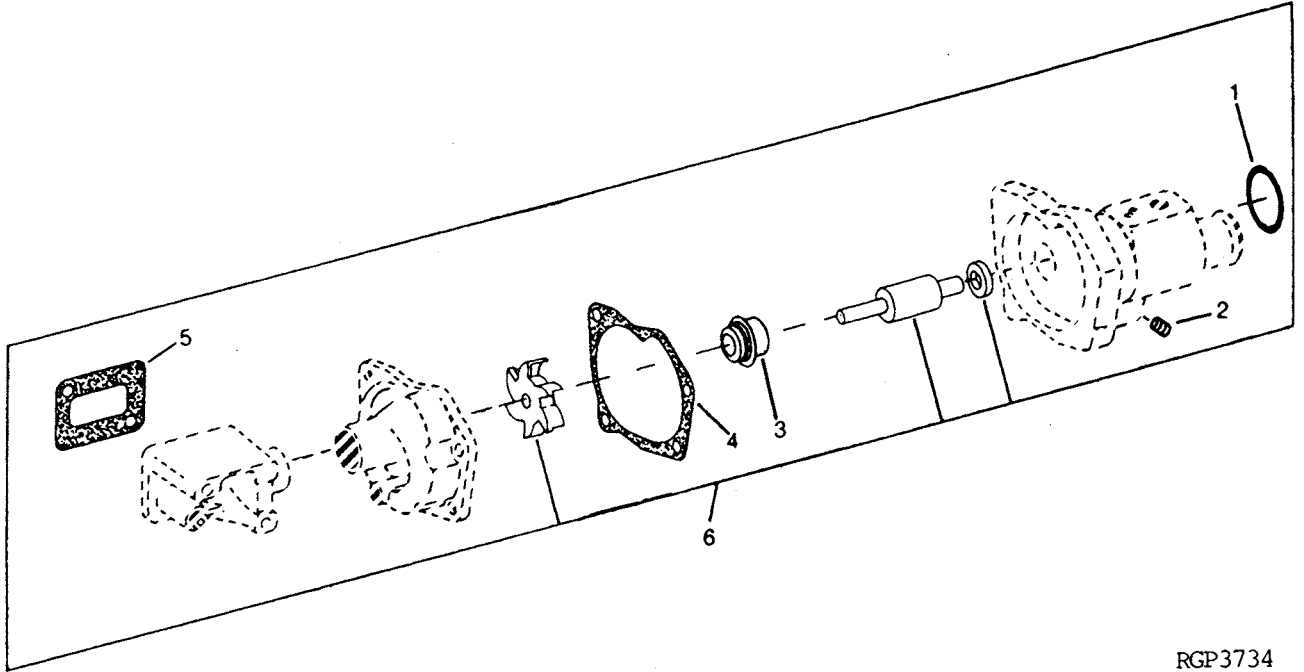
# 1H20

ENGINE 4

WATER PUMP 0417

## WATER PUMP REPAIR KIT

RGP3734



RGP3734

KEY	PART NO.	PART NAME	QTY	ENGINE SERIAL NO.	REMARKS
1	R101042	O-RING	1		
2	R100369	FILTER	2		(WEEP HOLE)
3	RE45337	SEAL	1		
4	R100367	GASKET	1		
5	R96616	GASKET	1		
6	RE42107	KIT	1		

# 1H21

ENGINE 4

WATER PUMP 0417

## WATER PUMP REPAIR KIT - CONTINUED

KEY	PART NO.	PART NAME	QTY	ENGINE SERIAL NO.	REMARKS
1	R71225	IMPELLER	1		
2	R71596	O-RING	1		
3	RE24772	KIT	1		
3A	R98527	FILTER	1		
4	R47153	O-RING	2		
5	R71315	GASKET	1		
6	AR93518	SEAL	1		
	RE39134	SEAL	1		
7	JD10363	BALL BEARING	1		(FRONT)
8	.....	SHAFT	1		
9	JD10362	BALL BEARING	1		(REAR)
10	R71361	GASKET	1		
11	RE23295	KIT	1		
	RG19279	KIT	1		

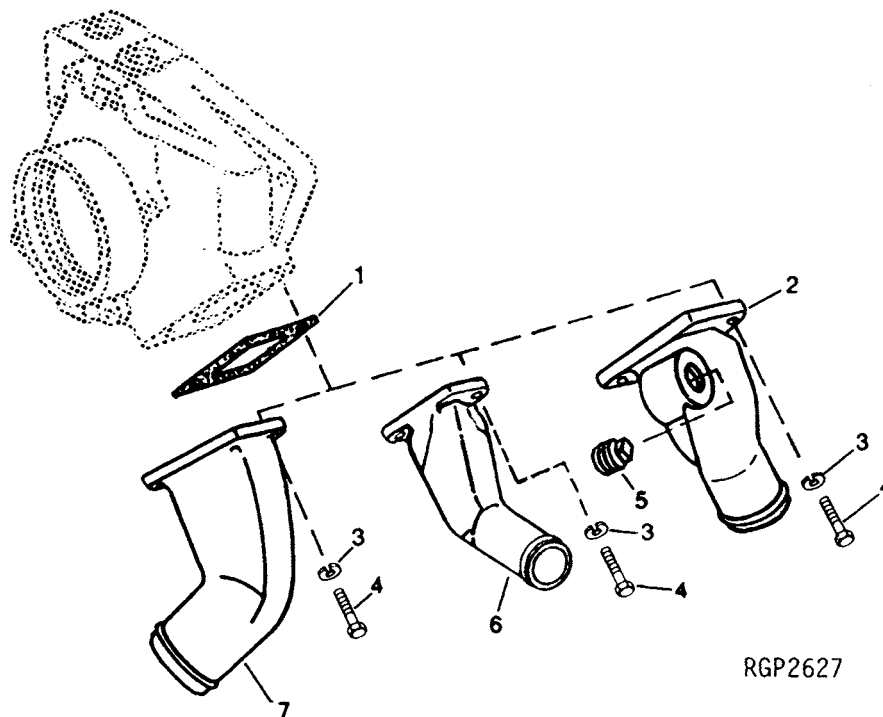
# 1H22

ENGINE 4

WATER PUMP 0417

## WATER PUMP INLET HOUSING

RGP2627



KEY	PART NO.	PART NAME	QTY	ENGINE SERIAL NO.	REMARKS
1	R71361	GASKET	1		
2	R85128	HOUSING	1		
3	12M7065	LOCK WASHER	2		8.100 MM
4	19M7513	CAP SCREW	2		M8 X 30
5	15H584	PIPE PLUG	1		1/2"
6	.....	HOUSING	1		(NOT USED THIS APPLICATION)
7	.....	HOUSING	1		(NOT USED THIS APPLICATION)

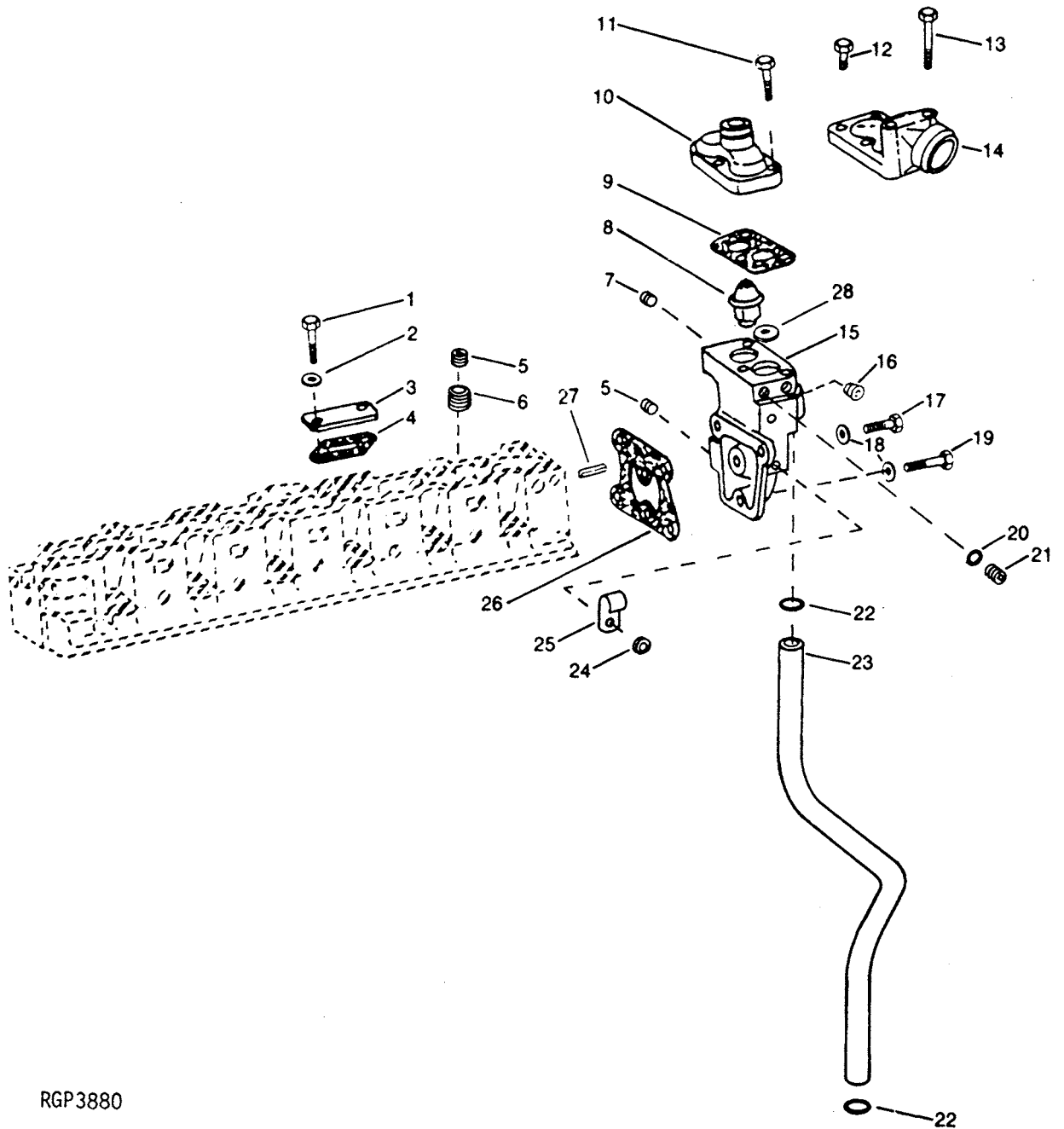
**MEMORANDA**

# 1H23

ENGINE 4

## THERMOSTATS, HOUSING AND WATER PIPING 0418 WATER MANIFOLD AND THERMOSTAT

RGP3880



RGP3880

# 1H24

ENGINE 4

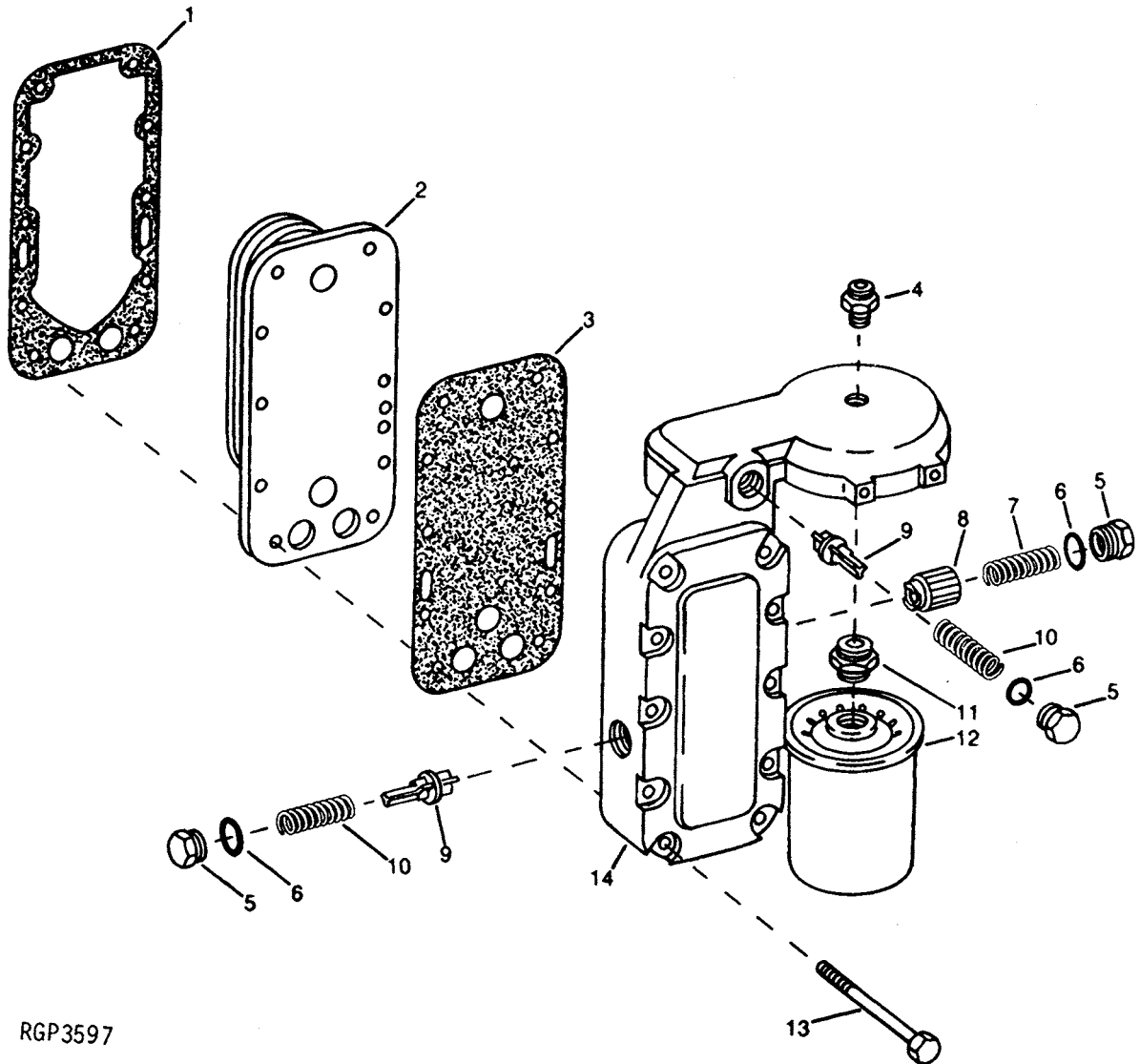
## THERMOSTATS, HOUSING AND WATER PIPING 0418 WATER MANIFOLD AND THERMOSTAT - CONTINUED

KEY	PART NO.	PART NAME	QTY	ENGINE SERIAL NO.	REMARKS
1	19H2284	CAP SCREW	4		3/8" X 7/8"
2	24H1305	WASHER	4		13/32" X 13/16" X 0.065"
3	R86061	COVER	2		
4	R88397	GASKET	2		
5	R104592	PIPE PLUG	3		
6	15H691	PIPE BUSHING	1		1/8"
7	15H665	PIPE PLUG	NA		3/4"
	H33801	HOSE FITTING	1		
8	AR48675	THERMOSTAT	1		82°C (180°F)
9	R46479	GASKET	1		
10	R86007	COVER	1		
11	19H3239	CAP SCREW	3		3/8" X 1-1/4"
12	19H2545	CAP SCREW	NA		3/8" X 1-3/8"
13	19H2639	CAP SCREW	NA		3/8" X 3-3/8"
14	R89439	COVER	NA		
15	R109859	MANIFOLD	1		(MARKED R109859) (ALSO ORDER R77673 AND R82719)
16	15H624	PIPE PLUG	1		1/2"
17	19H3175	CAP SCREW	2		3/8" X 3-5/8"
18	R57696	WASHER	3		
19	19H3217	CAP SCREW	1		3/8" X 1-3/4"
20	R77673	O-RING	1		
21	R82719	FITTING PLUG	1		
22	R72328	O-RING	2		
23	R108630	TUBE	1		
24	24H1136	WASHER	1		11/32" X 11/16" X 0.065"
25	R72853	CLAMP	1		
26	R86062	GASKET	1		
27	34H329	SPRING PIN	1		5/16" X 1-1/4"
28	R100671	PLUG	1		

# 1101

## ENGINE OIL COOLER, HOUSING AND FILTER

RGP3597



RGP3597

# 1102

ENGINE 4

ENGINE OIL COOLER 0419

## ENGINE OIL COOLER, FILTER HOUSING AND FILTER - CONTINUED

KEY	PART NO.	PART NAME	QTY	ENGINE SERIAL NO.	REMARKS
1	R94618	GASKET	1		
2	RE36367	OIL COOLER	1		
3	R94619	GASKET	1		
4	A4925R	FITTING	1		
5	R100499	DRAIN PLUG	3		
6	U17409	O-RING	3		
7	R102844	SPRING	1		
8	R94615	RELIEF VALVE	1		
9	R108867	VALVE	2		
10	R98064	SPRING	2		
11	R104621	ADAPTER	1		
12	RE46380	OIL FILTER	1		
13	R104862	CAP SCREW	10		
14	RE39890	HOUSING	1		



**MEMORANDA**

---

**MEMORANDA**

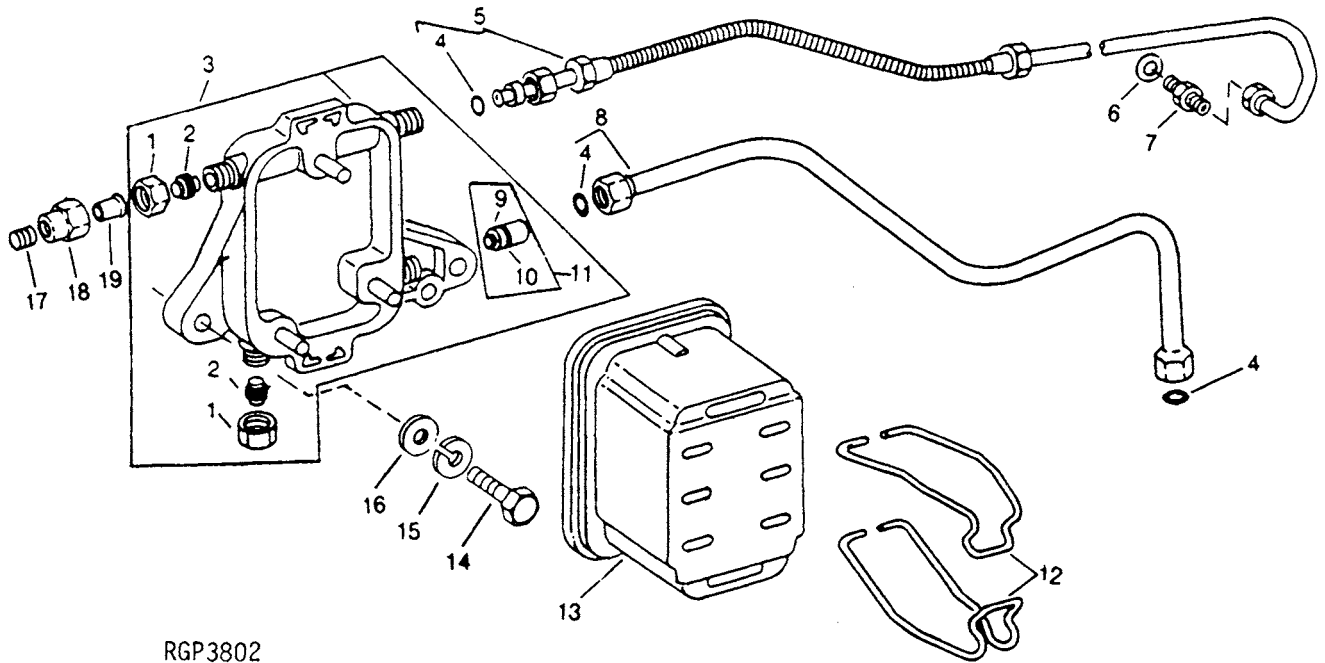
# 1103

ENGINE 4

FUEL FILTER 0420

## FUEL FILTER AND PIPES

RGP3802



RGP3802

# 1104

ENGINE 4

FUEL FILTER 0420

## FUEL FILTER AND PIPES - CONTINUED

KEY	PART NO.	PART NAME	QTY	ENGINE SERIAL NO.	REMARKS
1	R49672	FITTING	2		
2	R97237	PLUG	2		
	R67092	PACKING	2		
3	RE33542	CHECK VALVE	1		
4	RE47501	BASE	1		
5	R67092	PACKING	3		
6	RE47044	FUEL LINE	1		
7	R53901	WASHER	1		
8	R83489	FITTING	1		
9	RE48051	FUEL LINE	1		
10	R89927	BRACKET	2		
11	RE27091	FUEL FILTER	1		
12	19H2500	CAP SCREW	2		7/16" X 1-3/8"
13	12H293	LOCK WASHER	2		7/16"
14	24H1325	WASHER	2		15/32" X 59/64" X 0.065"

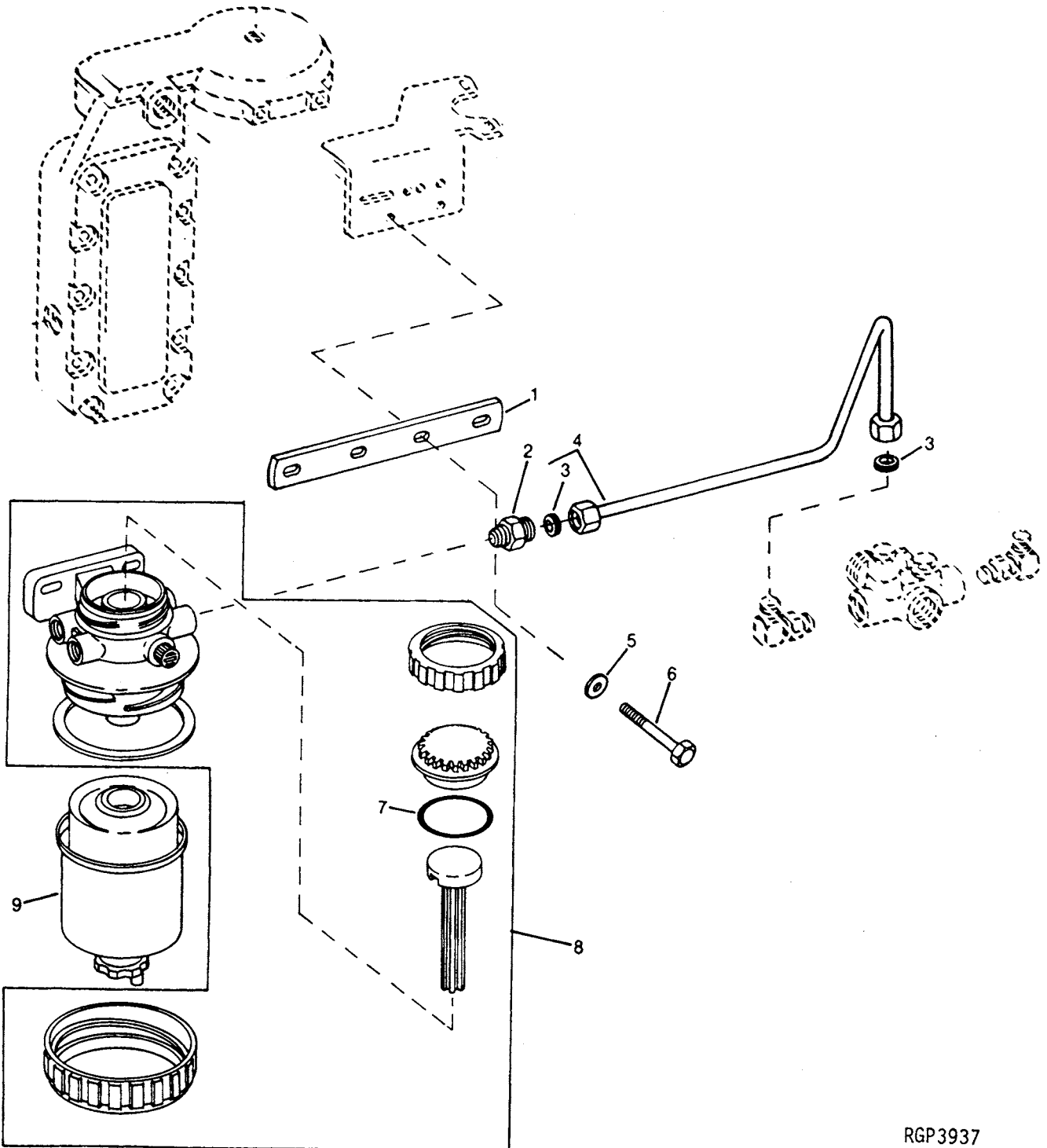
# 1105

ENGINE 4

FUEL FILTER 0420

## PRE-FILTER, PRE-FILTER BRACKET & LINES

RGP3937



RGP3937

# 1106

ENGINE 4

## PRE FILTER, PRE FILTER BRACKET & LINES - CONTINUED

FUEL FILTER 0420

KEY	PART NO.	PART NAME	QTY	ENGINE SERIAL NO.	REMARKS
1	R117016	BRACKET	1		
2	R51133	FITTING	1		
3	R67092	PACKING	2		
4	RE53959	LINE	1		
5	24H1136	WASHER	2		11/32" X 11/16" X 0.065"
6	19H2705	CAP SCREW	2		5/16" X 1"
7	RE50752	SEAL KIT	1		
8	RE54077	BASE	1		
9	RE53729	FILTER ELEMENT	1		
..	RE51650	SEDIMENT BOWL	1		FUEL FILTER PACKINGS
..	RE50467	KIT	1		HAND PRIMER
..	RE51649	KIT	1		MECHANICAL COMPONENTS



# 1108

ENGINE 4

FUEL FILTER 0420

## FUEL FILTER AND LINES - CONTINUED

KEY	PART NO.	PART NAME	QTY	ENGINE SERIAL NO.	REMARKS
1	R49672	FITTING	2		(6076TDW01, ADW01)
	R49672	FITTING	1		(6076ADW02)
2	R97237	PLUG	2		
	R67092	PACKING	2		
3	RE47501	BASE	1		
4	R67092	PACKING	3		
5	RE49962	FUEL LINE	1		
6	R53899	WASHER	1		
7	R83490	FITTING	1		
8	RE40434	FUEL LINE	1		
9	R93821	O-RING	1		
10	R93822	O-RING	1		
11	RE33542	CHECK VALVE	1		
12	R89927	CLAMP	2		
13	RE27091	FUEL FILTER	1		
14	19H2731	CAP SCREW	2		7/16" X 1-3/8"
15	12H293	LOCK WASHER	2		7/16"
16	24H1325	WASHER	2		15/32" X 59/64" X 0.065"
17	R104592	PIPE PLUG	1		(6076ADW02)
18	R99601	NUT	1		(6076ADW02)
19	R99602	TUBE	1		(6076ADW02)



---

**MEMORANDA**

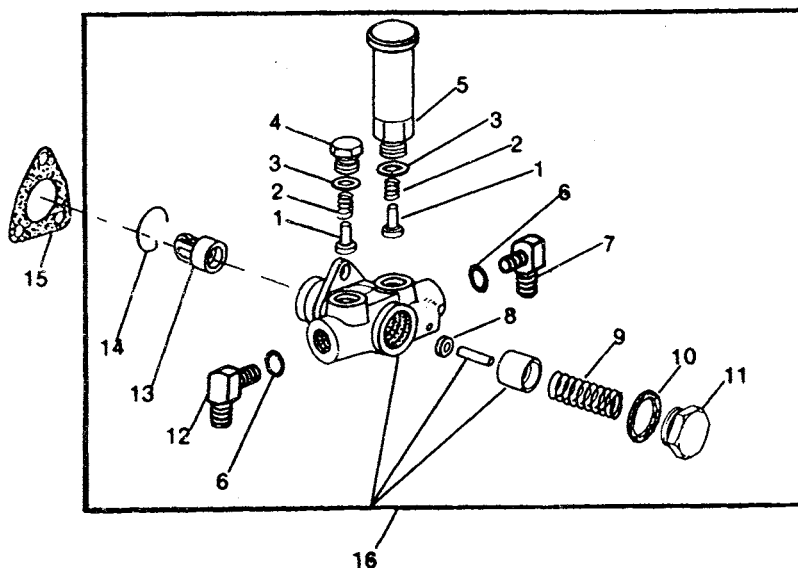
# 1109

ENGINE 4

FUEL TRANSFER PUMP 0421

## FUEL TRANSFER PUMP

RGP2143



RGP2143

KEY	PART NO.	PART NAME	QTY	ENGINE SERIAL NO.	REMARKS
1	R54022	VALVE	2		
2	R54023	SPRING	2		
3	R54025	WASHER	2		
4	R54024	PLUG	1		
5	R70135	HAND PRIMER	1		
6	R26448	O-RING	2		
7	AR104674	ELBOW FITTING	1		(INLET)
8	R54013	O-RING	1		
9	R54011	SPRING	1		
10	R64861	WASHER	1		
11	R54015	DRAIN PLUG	1		
12	RE10259	ELBOW FITTING	1		(OUTLET) (6076TDW01)
13	AR73857	TAPPET	1		
14	R54021	SNAP RING	1		
15	R67879	GASKET	1		
16	RE18708	FUEL PUMP	1		(6076TDW01) (ALSO ORDER RE10259 AND AR104674, THIS APPLICATION)

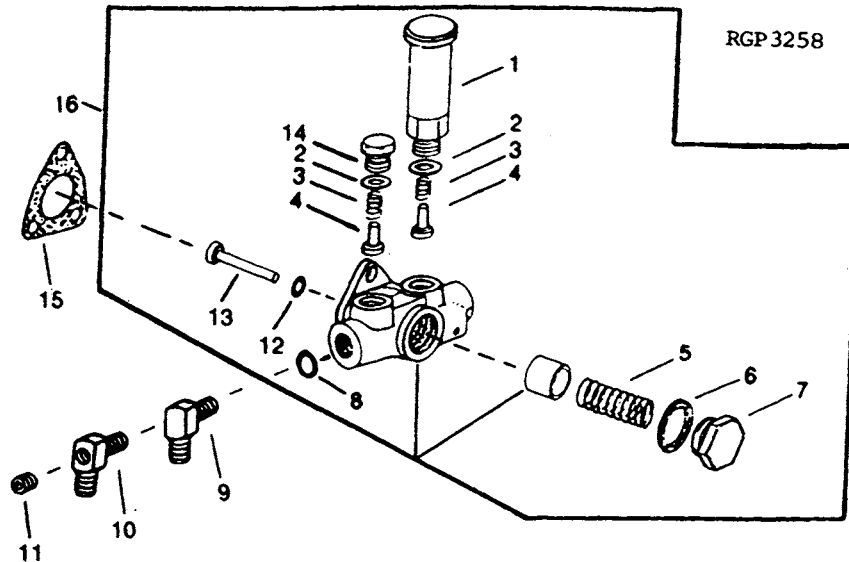
# 1110

ENGINE 4

FUEL TRANSFER PUMP 0421

FUEL TRANSFER PUMP  
(6076TDW02 ENGINE SERIAL NO. -151948)

RGP3258



KEY	PART NO.	PART NAME	QTY	ENGINE SERIAL NO.	REMARKS
1	R70135	HAND PRIMER	1		
2	R54025	WASHER	2		
3	R54023	SPRING	2		
4	R54022	VALVE	2		
5	R75272	SPRING	1		(SUB FOR R93744)
6	R64861	WASHER	1		
7	R93745	DRAIN PLUG	1		
8	R26448	O-RING	2		(SUB FOR R78079, THIS APPLICATION)
9	AR104674	ELBOW FITTING	1		(INLET) (6076TDW01, 02)
	RE10259	ELBOW FITTING	1		(OUTLET) (6076TDW01, 02)
10	RE38424	ELBOW FITTING	1		(OUTLET) (6076ADW01, 02)
11	R104592	PIPE PLUG	1		(6076ADW01, 02)
12	R93741	O-RING	1		
13	R93742	TAPPET	1		
14	R54024	PLUG	1		
15	R67879	GASKET	1		
16	RE20042	FUEL PUMP	1		

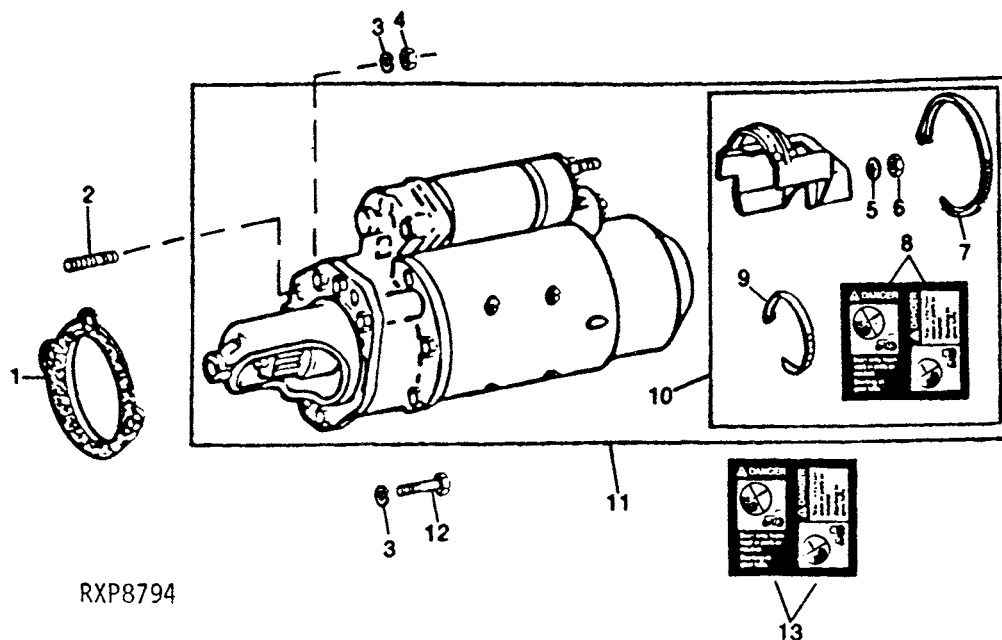
# 1111

ENGINE 4

## STARTING MOTOR

STARTING MOTOR AND FASTENINGS 0422

RXP8794



RXP8794

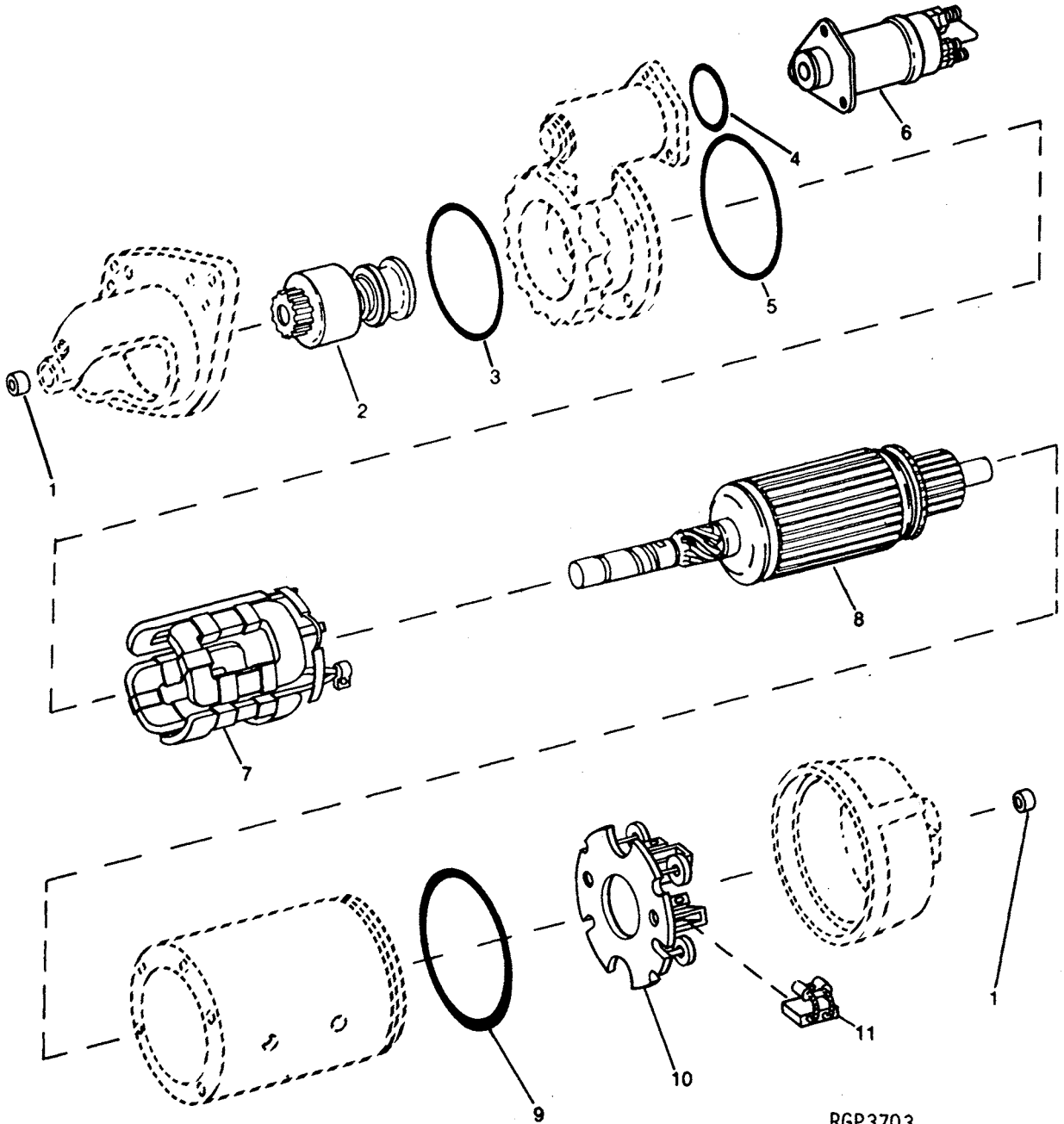
KEY	PART NO.	PART NAME	QTY	ENGINE SERIAL NO.	REMARKS
1	R53108	GASKET	1		
2	R114130	STUD	1		
3	12H304	LOCK WASHER	NA		3/8", (NO LONGER USED)
4	E55662	FLANGE NUT	1		
5	12H295	LOCK WASHER	1		NO. 10
6	AR102763	NUT	1		
7	H113196	TIE BAND	1		
8	T146102	LABEL	1		(ENGLISH)
9	R44302	TIE BAND	1		
10	RE41759	SHIELD	1		
11	RE53217	STARTER	1		(DELCO-REMY NO. 10478957) (CONTAINS RE41759) (SUB RE52955) (12 VOLT)
12	19H2545	CAP SCREW	2		3/8" X 1-3/8"
13					

# 1112

## STARTING MOTOR (12 VOLT 37 MT) (DELCO-REMY NO. 1993894)

## STARTING MOTOR AND FASTENINGS 0422

RGP3703



RGP3703

# 1113

ENGINE 4

STARTING MOTOR AND FASTENINGS 0422  
**STARTING MOTOR (12 VOLT 37 MT) - CONTINUED**  
(DELCO-REMY NO. 1993894)

KEY	PART NO.	PART NAME	QTY	ENGINE SERIAL NO.	REMARKS
1	R99695	BUSHING	2		
2	RE38619	DRIVE	1		
3	R62673	O-RING	1		
4	R99693	O-RING	1		
5	R11120	O-RING	1		
6	RE38615	SOLENOID	1		
7	RE38625	FIELD WINDING COIL	1		
8	RE38621	ARMATURE	1		
9	R99702	O-RING	1		
10	RE38629	CARBON BRUSH HOLDER	1		
11	R99697	BRUSH	4		
..	RE53217	STARTER	1		

**MEMORANDA**

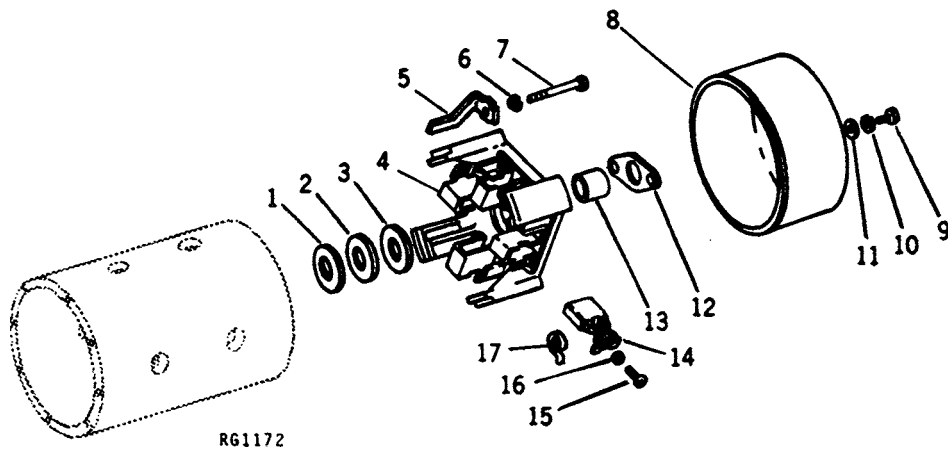
# 1114

ENGINE 4

STARTING MOTOR AND FASTENINGS 0422

## STARTER COMMUTATOR END FRAME (12 VOLT) (JOHN DEERE) (NIPPONDENSO 028000-3292)

RG1172



KEY	PART NO.	PART NAME	QTY	ENGINE SERIAL NO.	REMARKS
1	R50923	SHIM	AR		0.18 MM (.007")
2	R50924	SHIM	AR		0.50 MM (.019")
3	R50925	THRUST WASHER	1		
4	AR54997	FRAME	1		
5	R51660	BRACKET	2		
6	12H303	LOCK WASHER	2		5/16"
7	R51659	SCREW	2		
8	R50912	COVER	1		
9	R50931	SCREW	2		
10	12H246	LOCK WASHER	6		NO. 10
11	24H1283	WASHER	2		7/32" X 1/2" X 0.049"
12	R50930	GASKET	1		
13	R50891	BUSHING	1		
14	R50927	CARBON BRUSH CONDUCTOR	4		
15	R50929	SCREW	4		
16	12H246	LOCK WASHER	4		NO. 10
17	R50928	SPRING	4		



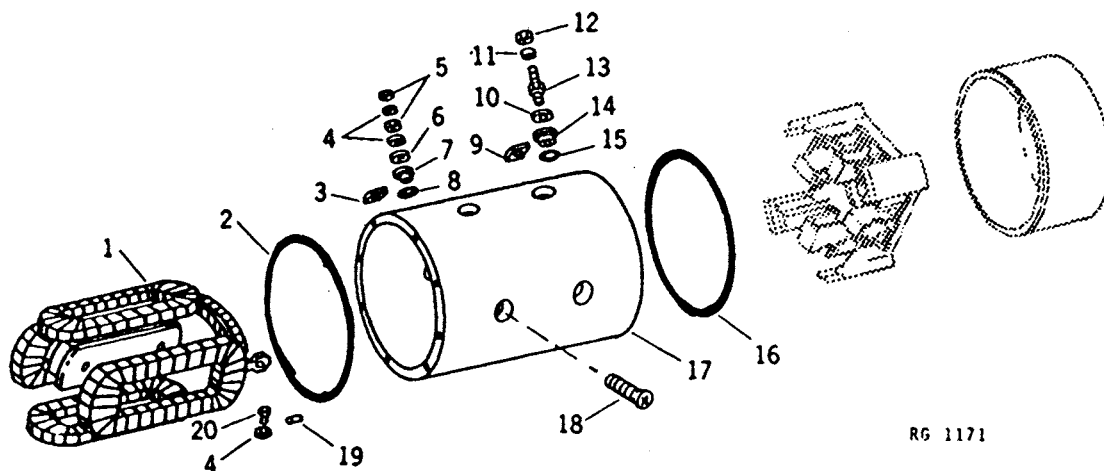
# 1115

ENGINE 4

## STARTER MAIN FRAME AND COIL (12 VOLT) (JOHN DEERE) (NIPPONDENSO 028000-3292)

STARTING MOTOR AND FASTENINGS 0422

RG1171



RG 1171

KEY	PART NO.	PART NAME	QTY	ENGINE SERIAL NO.	REMARKS
1	RE13731	FIELD WINDING COIL	1		
2	R50913	O-RING	1		
3	R50916	WASHER	1		
4	12H246	LOCK WASHER	3		NO. 10
5	R50907	NUT	2		
6	24H1283	WASHER	1		7/32" X 1/2" X 0.049"
7	R50914	WASHER	1		
8	R50915	O-RING	1		
9	R50920	BUSHING	1		
10	R50917	WASHER	1		
11	R50899	LOCK WASHER	1		
12	R50909	NUT	1		
13	R56802	BOLT	1		
14	R50918	WASHER	1		
15	R50919	O-RING	1		
16	R50922	O-RING	1		
17	.....	FRAME	1		(SUB RE41755, THIS APPLICATION)
18	R50921	SCREW	8		
19	R51864	DOWEL PIN	1		
20	R50931	SCREW	1		

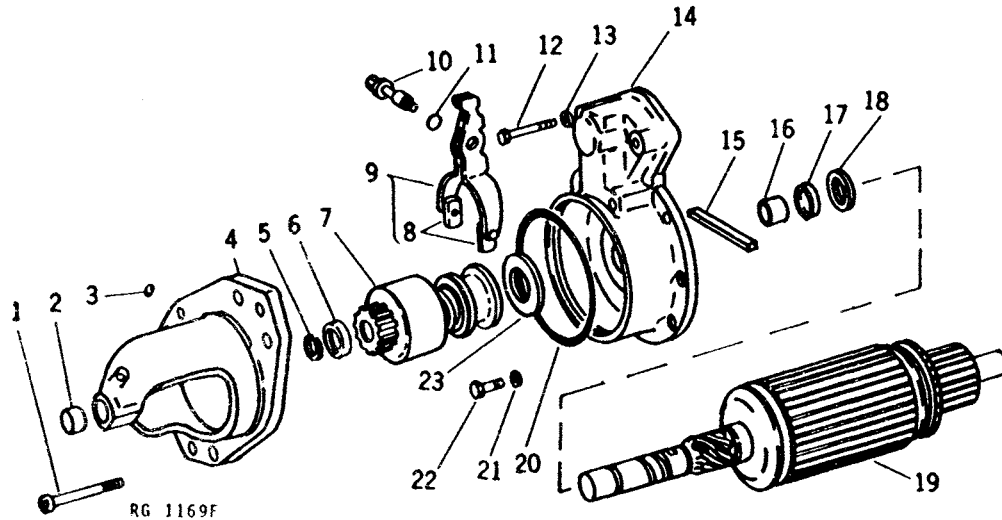
# 1116

ENGINE 4

STARTING MOTOR AND FASTENINGS 0422

## STARTER DRIVE HOUSING AND ARMATURE (12 VOLT) (JOHN DEERE) (NIPPONDENSO 028000-3292)

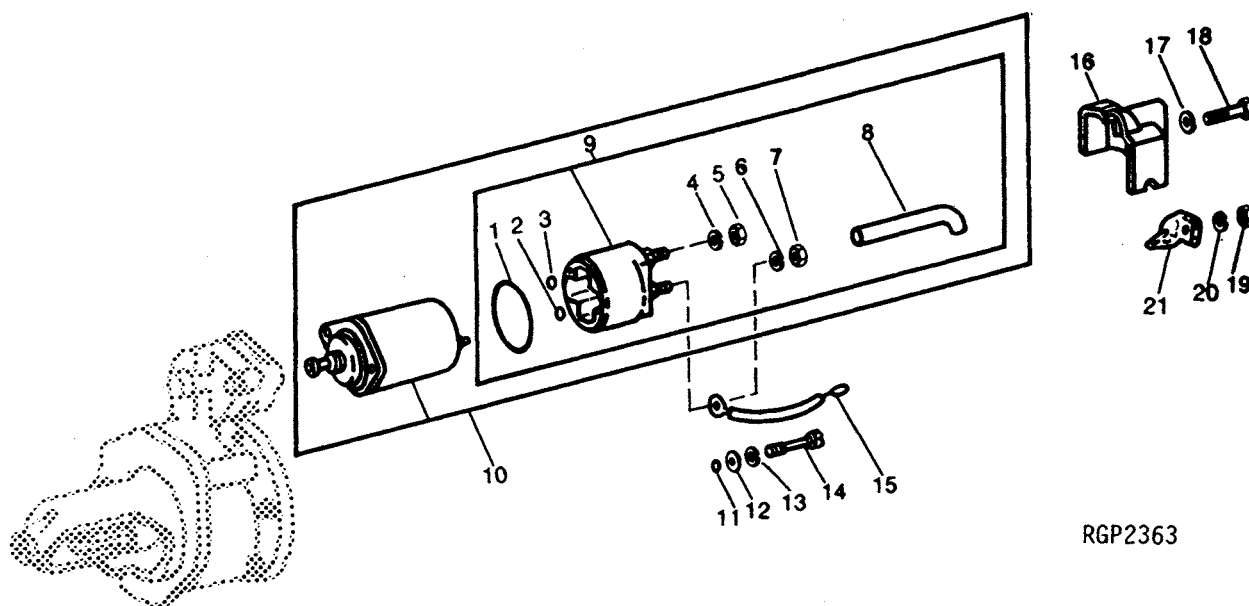
RG1169



KEY	PART NO.	PART NAME	QTY	ENGINE SERIAL NO.	REMARKS
1	R50900	SCREW	6		
2	R50891	BUSHING	1		
3	R50892	PLUG	2		
4	AR54990	HOUSING	1		
5	R50902	SNAP RING	1		
6	R50903	STOP	1		
7	AR54992	DRIVE	1		
8	R51667	WEAR PLATE	2		
9	AR67827	ARM	1		
10	R50897	SHAFT	1		
11	R52387	O-RING	1		
12	R50893	SCREW	2		
13	12H302	LOCK WASHER	2		1/4"
14	AR68430	HOUSING	1		
15	R51666	WICK	1		
16	R51665	BUSHING	1		
17	AR55947	SEAL	1		
18	R50906	THRUST WASHER	1		
19	AR66778	ARMATURE	1		
20	R50901	WASHER	1		
21	12H303	LOCK WASHER	2		5/16"
22	R51661	SCREW	2		
23	R50905	WEAR RING	1		

**STARTER SOLENOID SWITCH  
(12 VOLT) (JOHN DEERE)  
(NIPPONDENSO 028000-3292)  
(ENGINE SERIAL NO. -108578)**

RGP2363



RGP2363

KEY	PART NO.	PART NAME	QTY	ENGINE SERIAL NO.	REMARKS
1	R68224	GASKET	1		
2	R56792	WASHER	1		
3	R56793	SHIM	1		
4	12H303	LOCK WASHER	1		5/16"
5	R51671	NUT	1		
6	12H246	LOCK WASHER	1		NO. 10
7	14H631	NUT	1		0.190"
8	R68222	HOSE	1		
9	RE13733	SWITCH	1		(NIPPONDENSO NO. 028099-3600)
10	RE13732	SWITCH	1		(NIPPONDENSO NO. 028099-3610)
11	R50894	O-RING	2		
12	24H1305	WASHER	2		13/32" X 13/16" X 0.065"
13	24H1283	WASHER	2		7/32" X 1/2" X 0.049"
14	R51669	SCREW	2		
15	RE15058	WIRE	1		
16	R76139	COVER	1		
17	R51662	WASHER	1		
18	AR55946	SCREW	1		
19	14H732	NUT	1		3/8"
20	R50899	LOCK WASHER	1		
21	R50910	CONNECTOR	1		(NIPPONDENSO NO. 028172-5060) (SUB FOR AR90070)

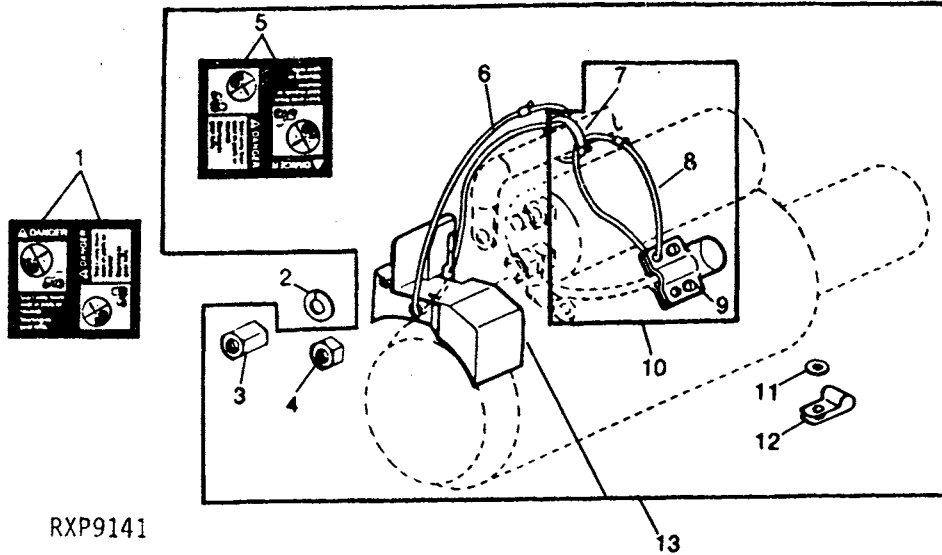
# 1118

ENGINE 4

## STARTER SOLENOID COVER KIT (JOHN DEERE)

STARTING MOTOR AND FASTENINGS 0422

RXP9141



RXP9141

KEY	PART NO.	PART NAME	QTY	ENGINE SERIAL NO.	REMARKS
2	12H246	LOCK WASHER	1		NO. 10
3	R100380	NUT	1		
4	14H732	NUT	1		3/8"
5	T146102	LABEL	1		(ENGLISH)
6	H113196	TIE BAND	1		
7	R44302	TIE BAND	1		
8	H113196	TIE BAND	1		
9	R66117	SCREW	2		
10	RE39063	SHIELD	1		
11	24H1289	WASHER	1		21/64" X 5/8" X 0.049"
12	R46414	CLAMP	1		
13	RE39064	SHIELD	1		

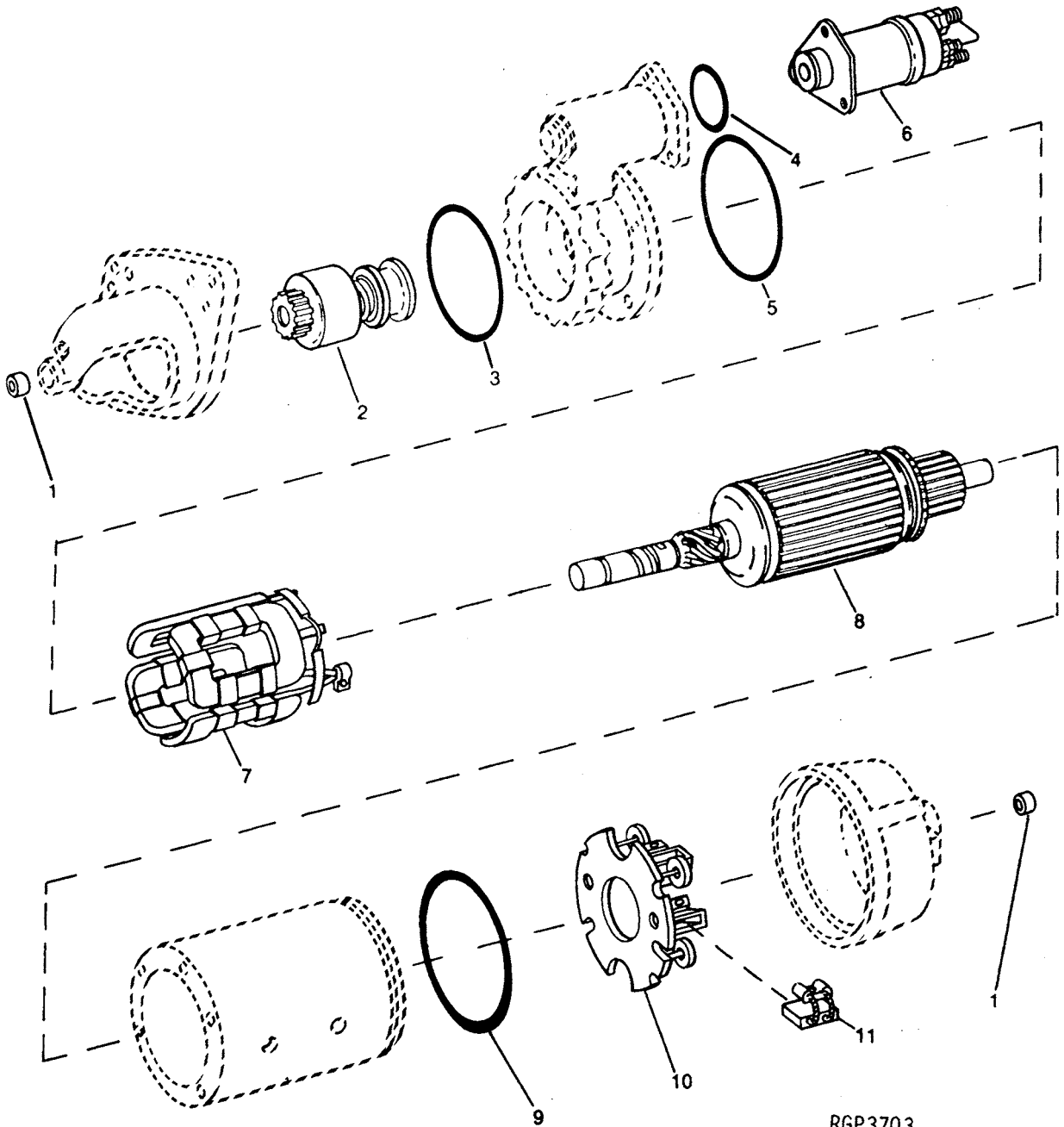
# 1119

ENGINE 4

STARTING MOTOR (12 VOLT 37 MT)  
(DELCO-REMY NO. 1993894)

STARTING MOTOR AND FASTENINGS 0422

RGP3703



RGP3703

# 1120

ENGINE 4

STARTING MOTOR AND FASTENINGS 0422  
**STARTING MOTOR (12 VOLT 37 MT) - CONTINUED**  
(DELCO-REMY NO. 1993894)

KEY	PART NO.	PART NAME	QTY	ENGINE SERIAL NO.	REMARKS
1	R99695	BUSHING	2		
2	RE38619	DRIVE	1		
3	R62673	O-RING	1		
4	R99693	O-RING	1		
5	R11120	O-RING	1		
6	RE38615	SOLENOID	1		
7	RE38625	FIELD WINDING COIL	1		
8	RE38621	ARMATURE	1		
9	R99702	O-RING	1		
10	RE38629	CARBON BRUSH HOLDER	1		
11	R99697	BRUSH	4		
..	RE41755	STARTER	1		( RE37961 NO LONGER AVAILABLE)

**MEMORANDA**

**MEMORANDA**

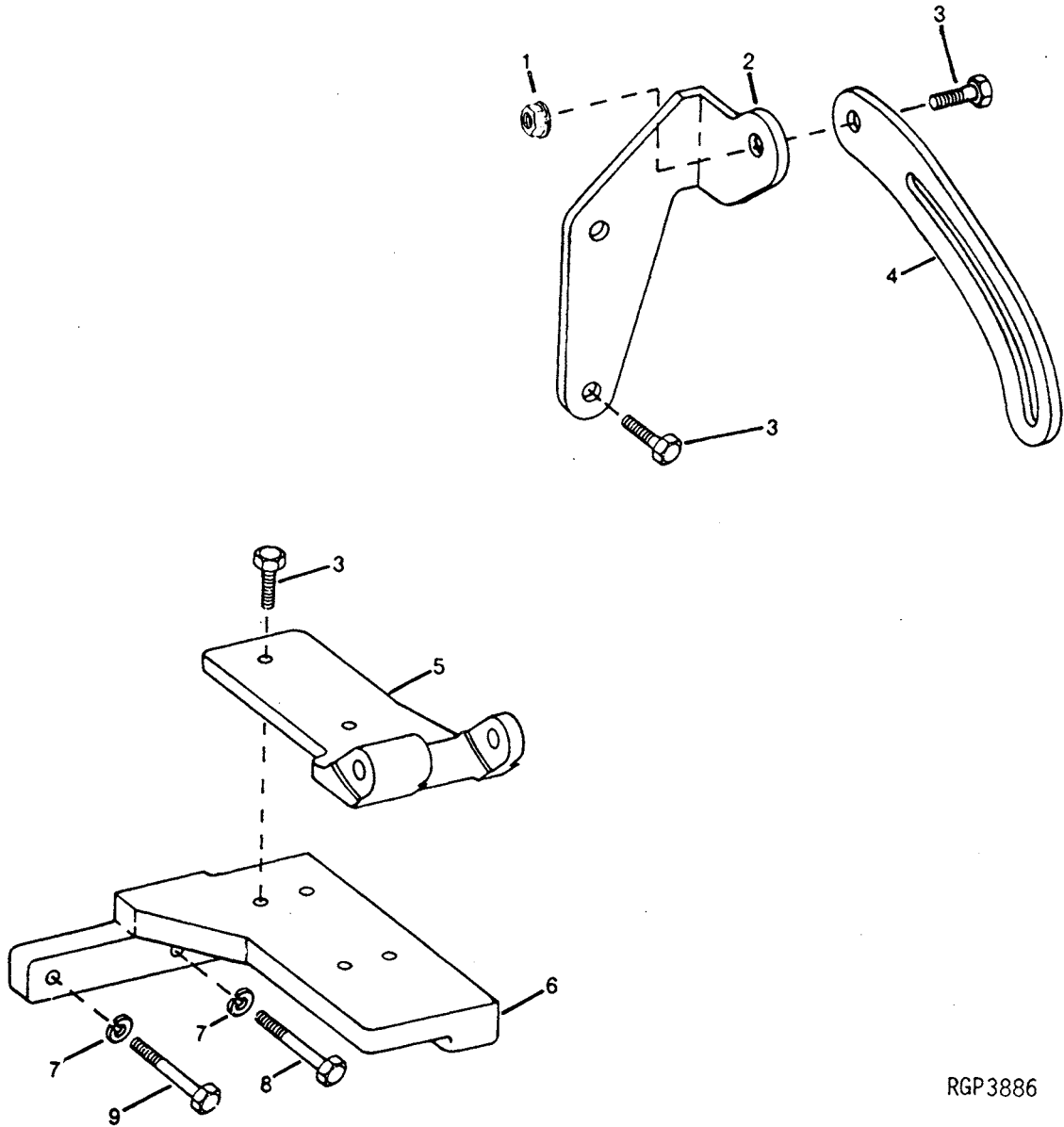


# 1121

ENGINE 4

## ALTERNATOR AND GENERATOR MOUNTING 0423 ALTERNATOR MOUNTING BRACKETS AND ADJUSTING STRAP

RGP3886



RGP3886

# 1122

ENGINE 4

ALTERNATOR AND GENERATOR MOUNTING 0423  
ALTERNATOR MOUNTING BRACKETS AND ADJUSTING STRAP - CONTINUED

KEY	PART NO.	PART NAME	QTY	ENGINE SERIAL NO.	REMARKS
1	E55662	FLANGE NUT	1		
2	R115130	BRACKET	1		
3	19H2284	CAP SCREW	5		3/8" X 7/8"
4	R108404	STRAP	1		
5	R115188	BRACKET	1		
6	R115190	SUPPORT	1		
7	12H293	LOCK WASHER	2		7/16"
8	19H1978	CAP SCREW	1		7/16" X 1-1/2"
9	19H2500	CAP SCREW	1		7/16" X 1-3/8"

MEMORANDA

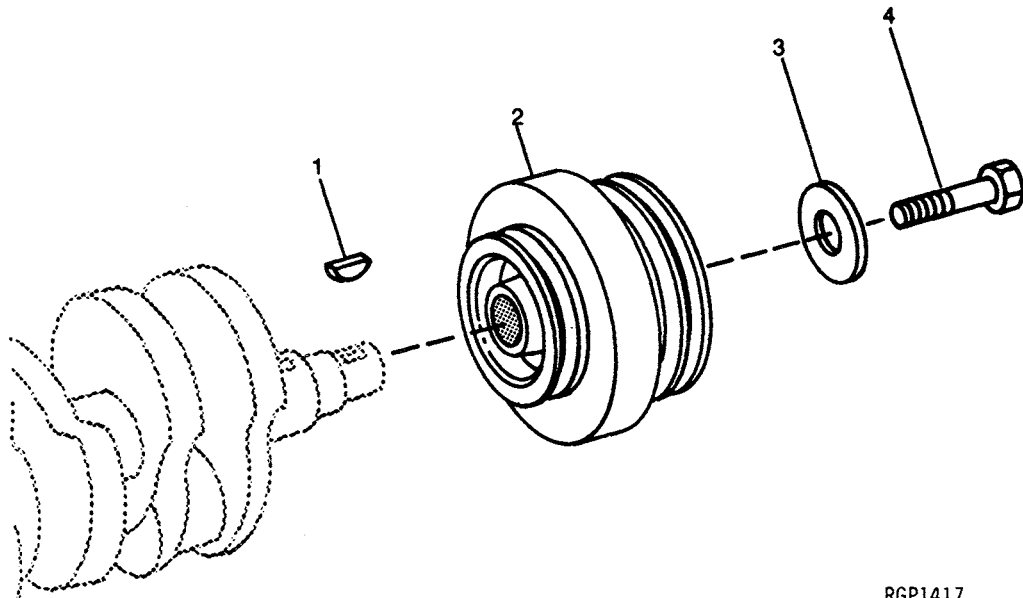
# 1123

ENGINE 4

FAN DRIVE 0429

## CRANKSHAFT PULLEY AND DAMPER

RGP1417



RGP1417

KEY	PART NO.	PART NAME	QTY	ENGINE SERIAL NO.	REMARKS
1	26H85	SHAFT KEY	1		1/4" X 1"
2	RE16127	PULLEY, WITH DAMPENER	1		
3	R26333	WASHER	1		
4	H79846	CAP SCREW	1		

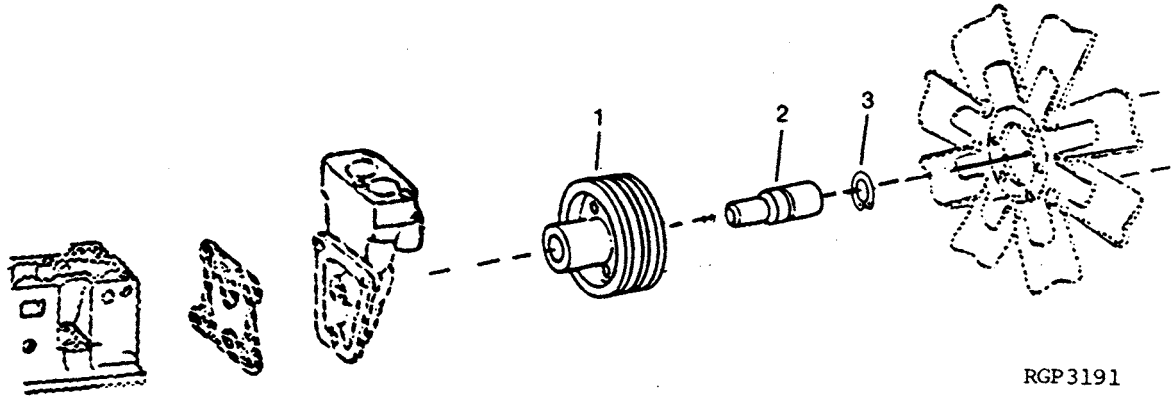
# 1124

ENGINE 4

FAN DRIVE 0429

## FAN DRIVE PULLEY

RGP3191



KEY	PART NO.	PART NAME	QTY	ENGINE SERIAL NO.	REMARKS
1	R112305	PULLEY	1		
2	JD10420	BEARING	1		
3	E1343FN	SNAP RING	1		

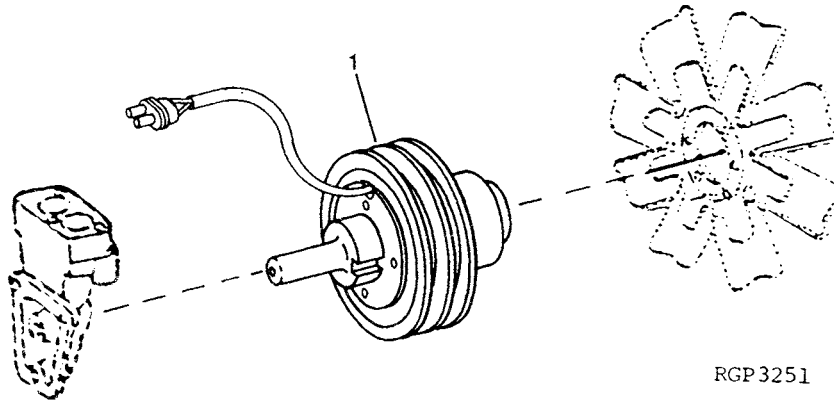
# 1125

ENGINE 4

FAN DRIVE 0429

## FAN DRIVE PULLEY AND CLUTCH

RGP3251



KEY	PART NO.	PART NAME	QTY	ENGINE SERIAL NO.	REMARKS
1	RE36527	CLUTCH	1		(6076ADW02 ONLY)

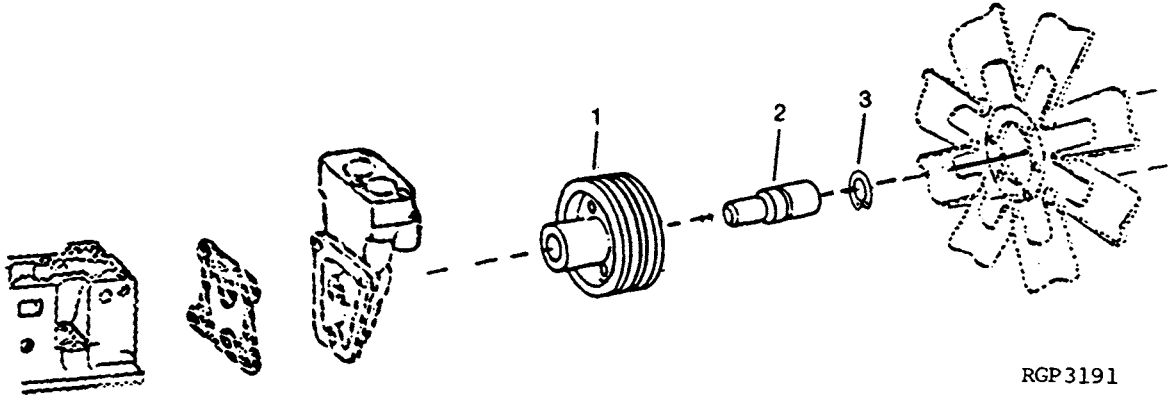
# 1J01

ENGINE 4

FAN DRIVE 0429

## FAN DRIVE PULLEY

RGP3191



RGP3191

KEY	PART NO.	PART NAME	QTY	ENGINE SERIAL NO.	REMARKS
1	R87720	PULLEY	1		
	R99545	PULLEY	1		
2	JD10420	BEARING	1		
3	E1343FN	SNAP RING	1		

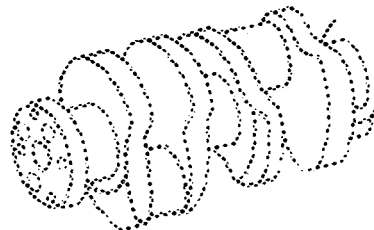
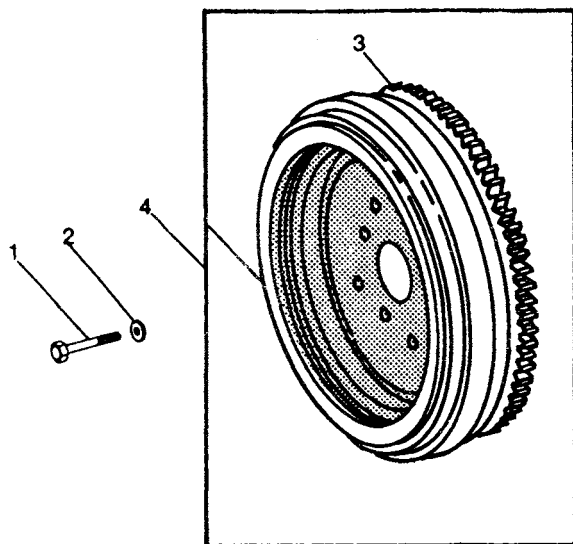
# 1J02

ENGINE 4

FLYWHEEL, HOUSING AND FASTENINGS 0433

## FLYWHEEL

RGP2155



RGP2155

KEY	PART NO.	PART NAME	QTY	ENGINE SERIAL NO.	REMARKS
1	R43369	SELF-LOCKING SCREW	6		12.700 X 50.800 MM (1/2" X 2")
2	T23891	WASHER	6		
3	R28811	GEAR	1		
4	AR70168	FLYWHEEL	1		(MARKED R58449)



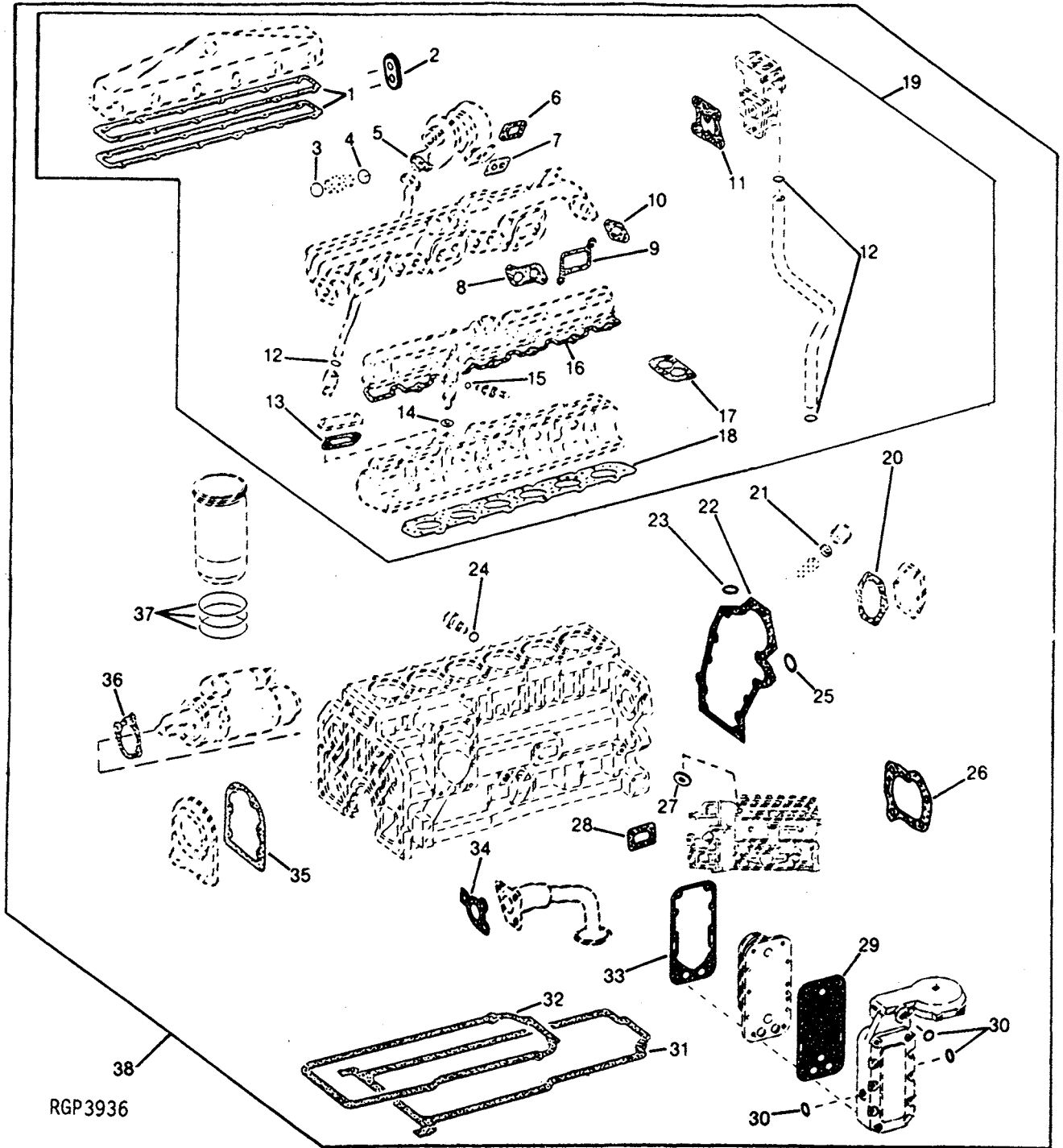
# 1J03

ENGINE 4

GASKET REPLACEMENT KITS 0452

## ENGINE GASKET KITS

RGP3936



RGP3936

# 1J04

ENGINE 4

GASKET REPLACEMENT KITS 0452

## ENGINE GASKET KITS - CONTINUED (ENGINE SERIAL NO. 500000- )

KEY	PART NO.	PART NAME	QTY	ENGINE SERIAL NO.	REMARKS
1	R88993	GASKET	2		(A)
2	R100911	SEAL	1		(A)
3	R50405	O-RING	1		(A)
4	R86743	O-RING	1		
5	R105346	GASKET	1		
6	R92097	GASKET	1		
7	R89879	GASKET	1		
8	R83020	GASKET	2		
9	R102838	GASKET	3		
10	R83021	GASKET	2		
11	R86062	GASKET	1		
12	R72328	O-RING	3		
13	R88397	GASKET	2		
14	R84472	WASHER	6		
	R51603	O-RING	6		
15	R77551	O-RING	6		
16	R49866	GASKET	1		
17	R46479	GASKET	1		
18	RE47336	GASKET	1		
19	RE29859	GASKET KIT	1		CYLINDER HEAD
20	R99464	GASKET	1		
21	T20328	GASKET	1		
22	R104523	GASKET	1		
23	R79915	O-RING	1		
24	U13639	O-RING	1		
25	R101042	O-RING	1		
26	R100367	GASKET	1		
27	R53899	WASHER	1		(USE WITH R83490)
	R53901	WASHER	1		(USE WITH R83489)
28	R96616	GASKET	1		
29	R94619	GASKET	1		
30	U17409	O-RING	3		
31	R71913	GASKET	1		(A) (CAST IRON OIL PAN)
32	R49377	GASKET	1		(ALUMINUM OIL PAN)
33	R94618	GASKET	1		
34	R100569	GASKET	1		
35	R26058	GASKET	1		
36	R53108	GASKET	1		
37	AR96850	KIT	6		
38	RE42151	GASKET KIT	1		ENGINE REBUILD

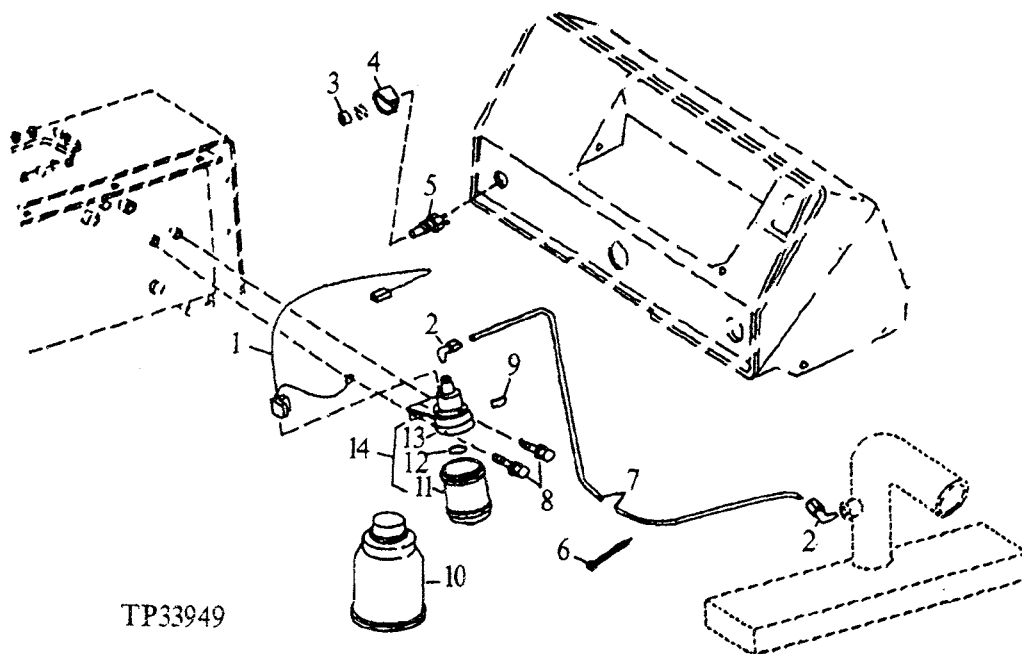
(A) - NOT USED THIS APPLICATION

MEMORANDA

# 1J06

## COLD WEATHER STARTING AID

TP33949



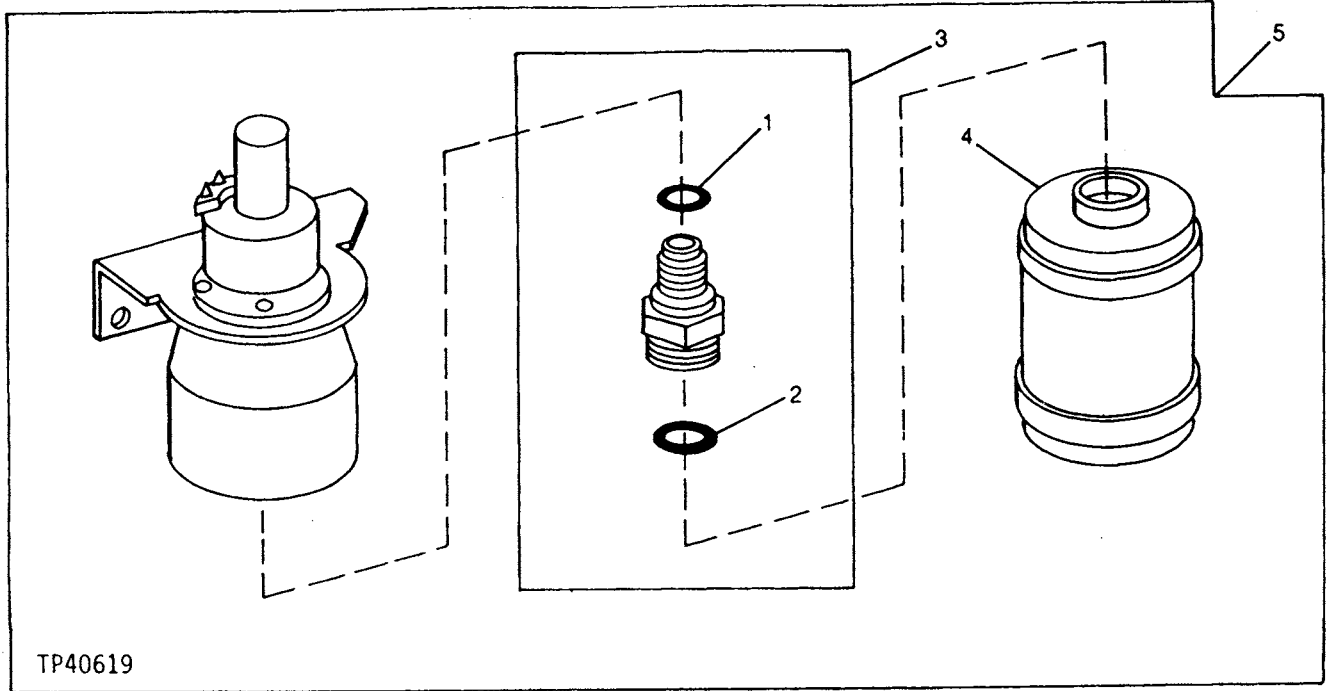
TP33949

KEY	PART NO.	PART NAME	QTY	SERIAL NO.	REMARKS
1	AT161185	WIRING LEAD	1		
2	RE21790	ELBOW FITTING	2		
3	T55585	CAP	1		
4	T119736	GUARD	1		
5	AT25258	SWITCH	1		
6	R44302	TIE BAND	1		
7	.....	TUBE	AR		(MAKE FROM T78593 BULK MATERIAL, CUT TO LENGTH)
8	19M7865	SCREW	1		
9	T42170	LABEL	1		
10	RE33636	STARTING FLUID	1		
11	R73498	CONTAINER	1		
12	T13119	O-RING	1		
13	.....	SOLENOID	1		(SUB RE48310)
14	RE48310	SOLENOID	1		

# 1J07

## ETHER INJECTION SOLENOID

TP40619



TP40619

KEY	PART NO.	PART NAME	QTY	SERIAL NO.	REMARKS
1	T15712	O-RING	1		
2	T13119	O-RING	1		
3	RE48321	ADAPTER	1		
4	R73498	CONTAINER	1		
5	RE48310	SOLENOID	1		

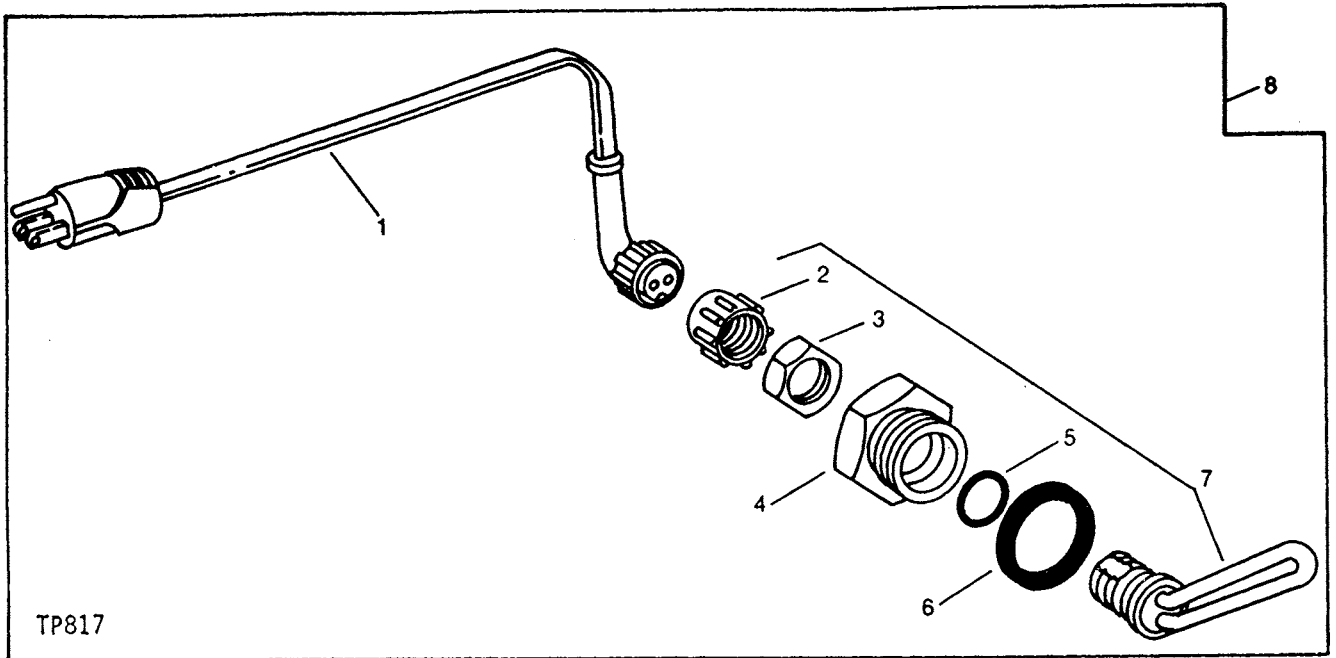
---

**MEMORANDA**

# 1J08

## ENGINE COOLANT HEATER

TP817



TP817

KEY	PART NO.	PART NAME	QTY	ENGINE SERIAL NO.	REMARKS
1	AR50411	WIRING LEAD	1		
2	.....	CAP	1		(SUB AR62399)
3	.....	NUT	1		(SUB AR62399)
4	R54123	ADAPTER	1		
5	R47693	GASKET	1		
6	U13639	O-RING	1		
7	AR62399	COOLANT HEATER	1		
8	AR62492	COOLANT HEATER	1		

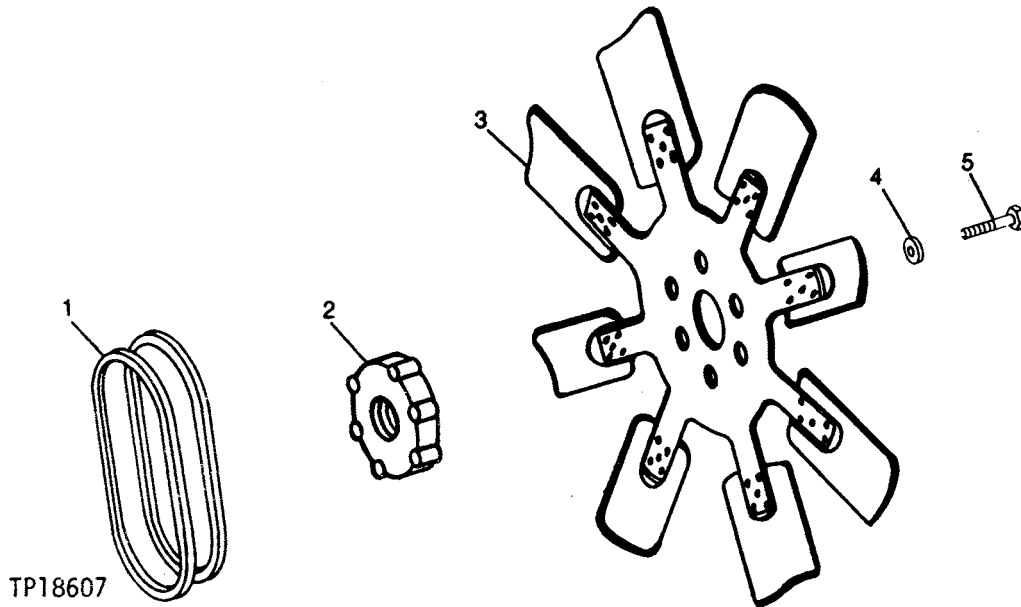
# 1J09

ENGINE AUXILIARY SYSTEM 5

COOLING SYSTEMS 0510

## FAN BLADE, SPACER AND BELTS

TP18607



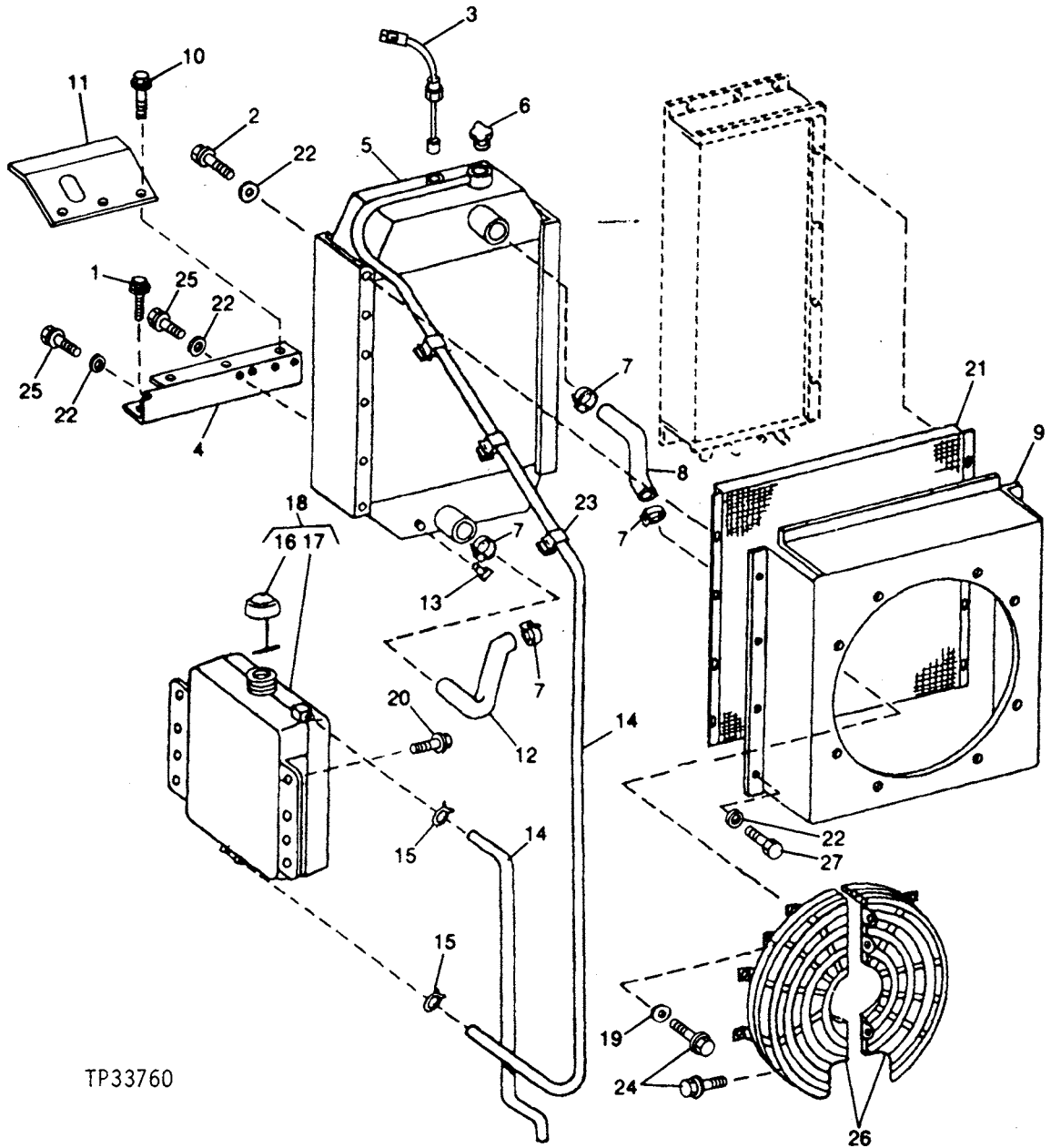
KEY	PART NO.	PART NAME	QTY	SERIAL NO.	REMARKS
1	AT158366	BELT SET	1		(MATCHED SET) (USE WITH 95-AMP ALTERNATOR)
	AT158366	BELT SET	1		(MATCHED SET) (USE WITH 135-AMP ALTERNATOR)
2	T119676	HUB	1		
3	AT65276	BLOWER FAN	1		(8 BLADE)
4	24M7239	WASHER	6		10.700 X 21 X 2.500 MM
5	19M7347	CAP SCREW	6		M10 X 120



# 1J10

## RADIATOR, FAN SHROUD AND GUARD

TP33760



TP33760

# 1J11

ENGINE AUXILIARY SYSTEM 5

COOLING SYSTEMS 0510

## RADIATOR, FAN SHROUD AND GUARD

KEY	PART NO.	PART NAME	QTY	SERIAL NO.	REMARKS
1	19M7786	SCREW	2		M10 X 30, (LOWER RADIATOR TO ENGINE FRAME)
2	19M7784	SCREW	6		M10 X 20, (RADIATOR TO GRILLE HOUSING)
3	AT152165	SENSOR	1		
4	AT160384	ANGLE	1		
5	AT159977	RADIATOR	1		
6	AT151979	FILLER CAP	1		
7	AR21999	CLAMP	3		(TWO - UPPER RADIATOR HOSE, ONE - LOWER RADIATOR HOSE TO RADIATOR)
	AR40418	CLAMP	1		(LOWER RADIATOR HOSE TO WATER PUMP)
8	T102054	HOSE	1		
9	AT150469	SHROUD	1		
10	19M7865	SCREW	3		M8 X 16
11	T145670	SHIELD	1		
12	T143815	HOSE	1		
13	T143815	HOSE	1		
14	.....	HOSE	AR		(MAKE FROM T79477 BULK MATERIAL, CUT TO LENGTH)
15	T13254	CLAMP	2		
16	AT106413	CAP	1		
17	.....	TANK	1		(SUB AT104021)
18	AT104021	TANK	1		
19	24M7298	WASHER	8		8.400 X 25 X 2 MM, (FAN GUARD TO FAN SHROUD)
20	19M7866	SCREW	4		M8 X 20
21	AT159943	SHIELD	1		<b>SAND, (INCLUDES (8) 19M7784)</b>
22	24M7296	WASHER	9		10.500 X 30 X 2.500 MM, (FIVE TO SHROUD TO RADIATOR AND OIL COOLER, FOUR TO RADIATOR TO GRILLE HOUSING AND LOWER SUPPORT)
23	T119748	CLIP	3		
24	19M7867	SCREW	10		M8 X 25
25	19M7784	SCREW	2		M10 X 20, (LOWER SUPPORT TO RADIATOR)
26	AT150468	GUARD	2		
27	19M7783	SCREW	8		M10 X 16, WITHOUT SANDSHIELD
	19M7784	SCREW	8		M10 X 20, WITH SANDSHIELD

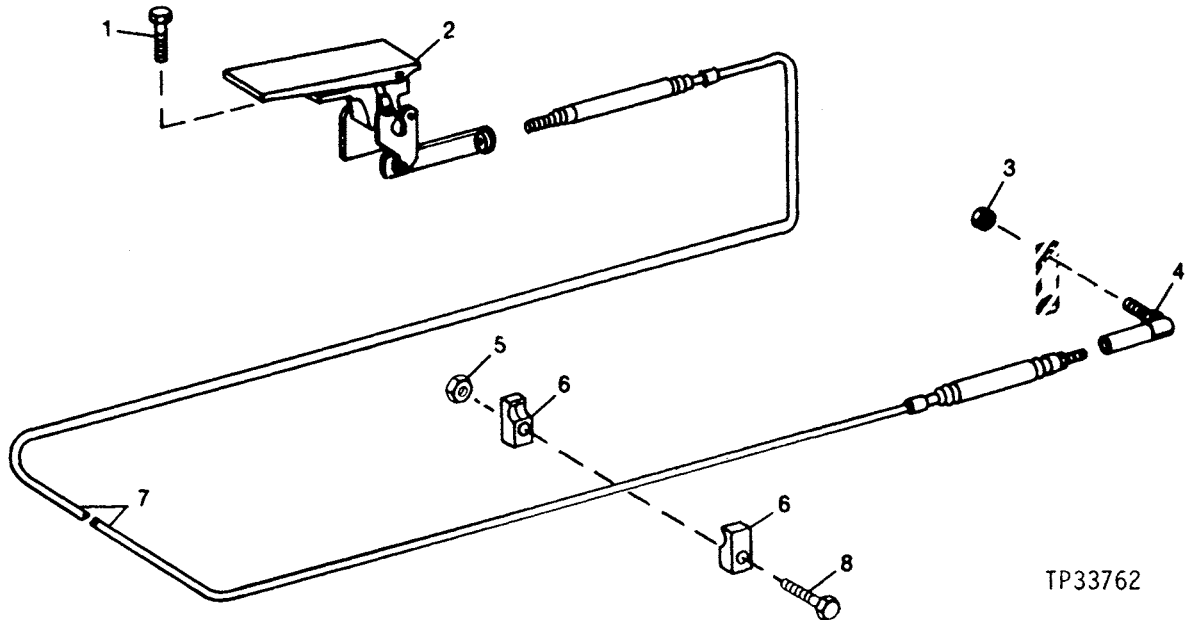
# 1J12

ENGINE AUXILIARY SYSTEM 5

ENGINE SPEED CONTROLS 0515

## SPEED CONTROL CABLE AND PEDAL

TP33762



KEY	PART NO.	PART NAME	QTY	SERIAL NO.	REMARKS
1	19M7775	SCREW	3		M6 X 16
2	AT103714	PEDAL	1		
	AT156748	BEARING KIT	1		(NOT ILLUSTRATED)
	AT156749	KIT	1		CLEVIS TERMINAL (NOT ILLUSTRATED)
3	14H631	NUT	1		0.190"
4	AT60407	BALL JOINT	1		
5	14M7400	LOCK NUT	1		M10
6	T33483	CLAMP	2		(ENGINE SPEED CONTROL CABLE TO ENGINE WATER INLET COVER BRACKET)
7	AT151001	CABLE	1		
8	19M7805	SCREW	1		M10 X 45

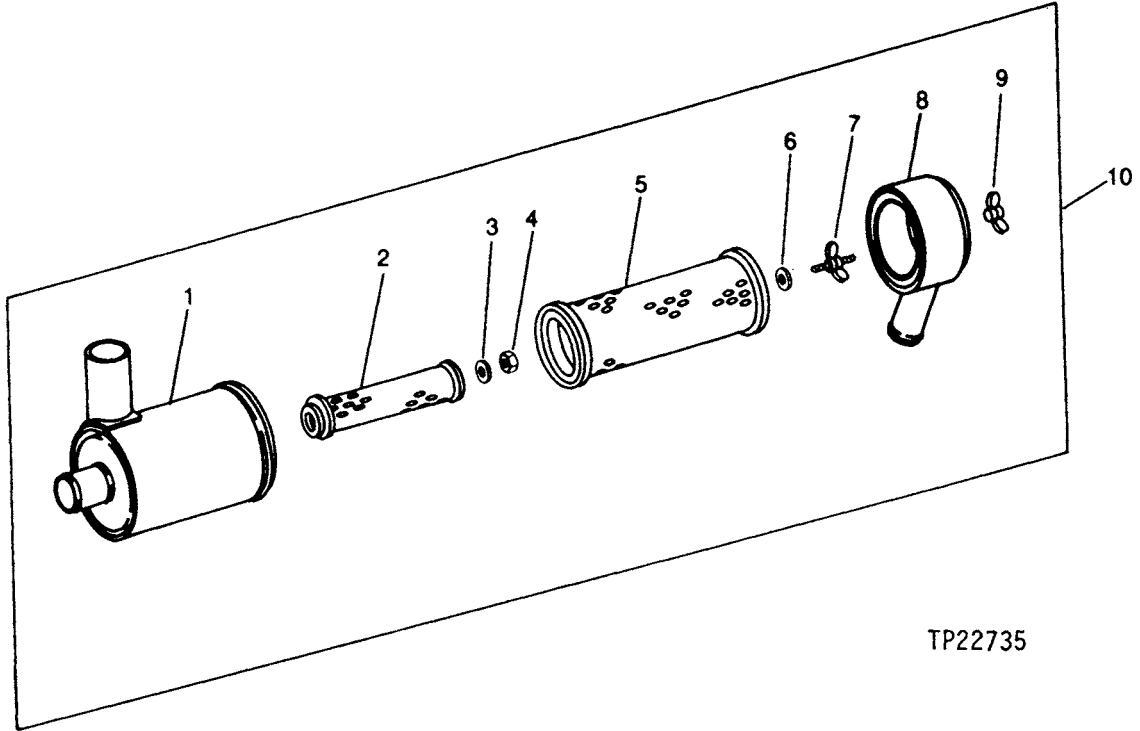
# 1J13

ENGINE AUXILIARY SYSTEM 5

INTAKE SYSTEM 0520

## AIR CLEANER

TP22735



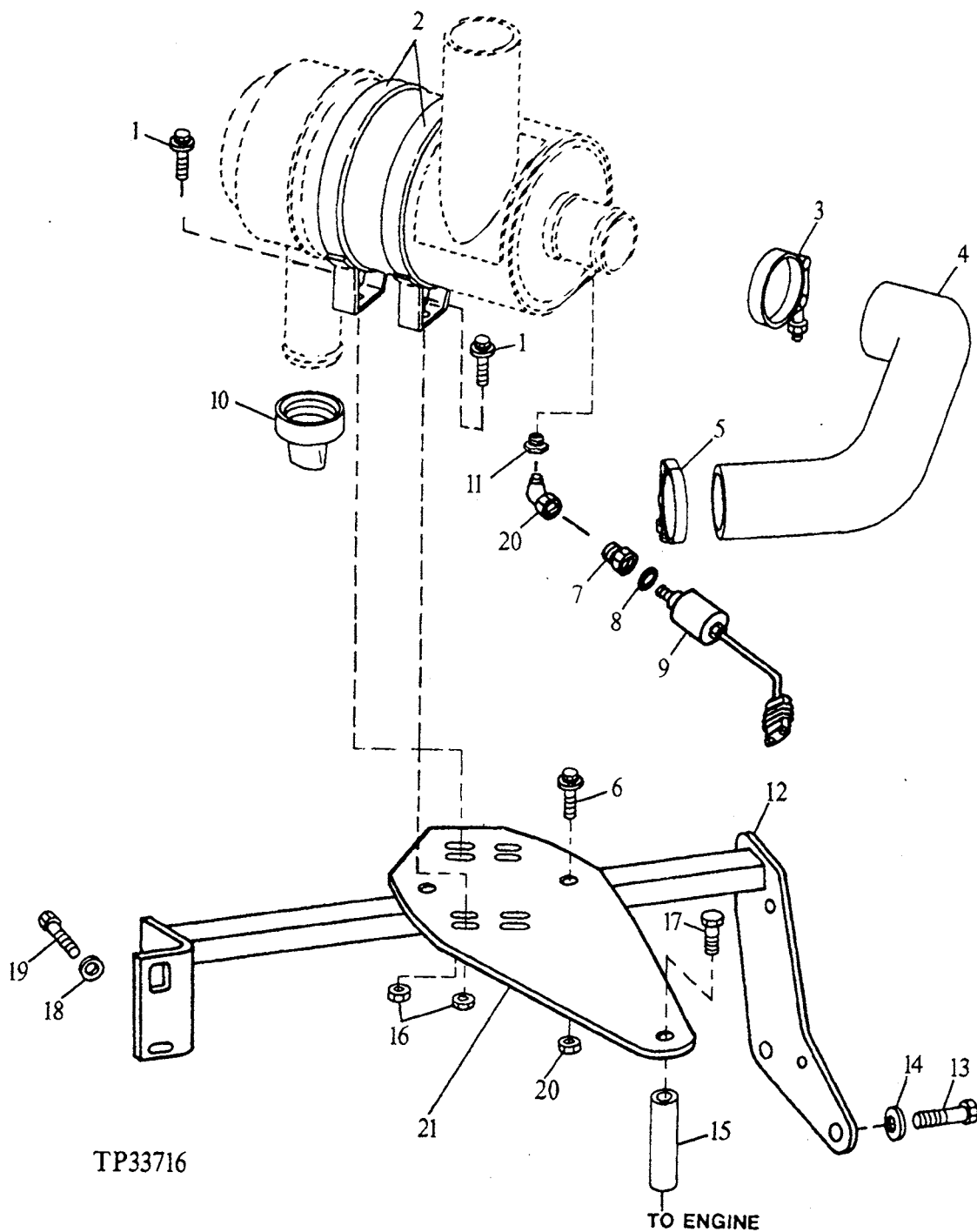
TP22735

KEY	PART NO.	PART NAME	QTY	SERIAL NO.	REMARKS
1		HOUSING	1		(SUB AT159928)
2	AR80653	FILTER ELEMENT	1		SECONDARY
3	AR52066	PACKING	1		
4	E17421	LOCK NUT	1		
5	AR80652	FILTER ELEMENT	1		PRIMARY
6	AR52065	PACKING	1		
7	AT159355	WING SCREW	1		
8	AR84565	COVER	1		
9	R48723	WING NUT	1		
10	AT159928	AIR CLEANER	1		

# 1J14

## AIR CLEANER BRACKET AND HOSE

TP33716



TP33716

# 1J15

ENGINE AUXILIARY SYSTEM 5

## AIR CLEANER BRACKET AND HOSE

INTAKE SYSTEM 0520

KEY	PART NO.	PART NAME	QTY	SERIAL NO.	REMARKS
1	19M7785	SCREW	4		M10 X 25
2	AT159793	BAND	2		(SUB FOR (2) AT141575)
3	AT56657	CLAMP	1		
4	T126535	HOSE	1		
5	AT56657	CLAMP	1		
6	19M7786	SCREW	2		M10 X 30
7	T82907	ADAPTER	1		
8	R26286	O-RING	1		
9	RE12176	SENSOR	1		
10	T23263	VALVE	1		
11	15H84	COUPLING	1		1/8"
12	AT157273	BRACKET	1		
13	19H2716	CAP SCREW	2		3/4" X 1-1/2"
14	24M7242	WASHER	2		21.400 X 42 X 5 MM
15	R44161	PISTON PIN	1		
16	14M7274	NUT	4		M10
17	19H3353	CAP SCREW	1		5/8" X 5"
18	24M7241	WASHER	1		17 X 34 X 4 MM
19	19H2994	CAP SCREW	1		HS, SAE 8, 5/8" X 1-1/2"
20	14M7296	FLANGE NUT	2		M10
21	T145169	PLATE	1		

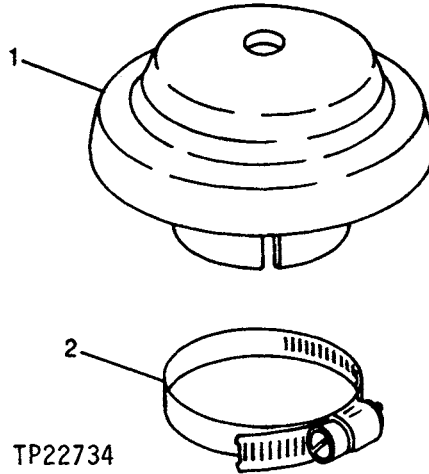
# 1J16

ENGINE AUXILIARY SYSTEM 5

INTAKE SYSTEM 0520

## AIR STACK CAP

TP22734



KEY	PART NO.	PART NAME	QTY	SERIAL NO.	REMARKS
1	AR72337	CAP	1		
2	C16054	CLAMP	1		

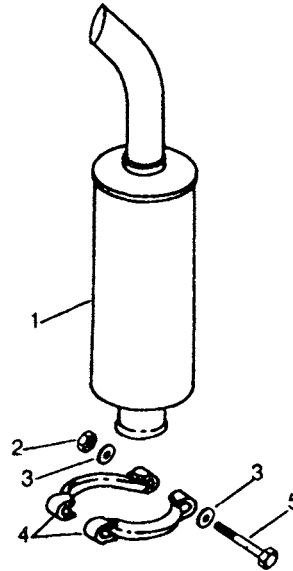
# 1J17

ENGINE AUXILIARY SYSTEM 5

EXTERNAL EXHAUST SYSTEMS 0530

## MUFFLER

TP1365



TP1365

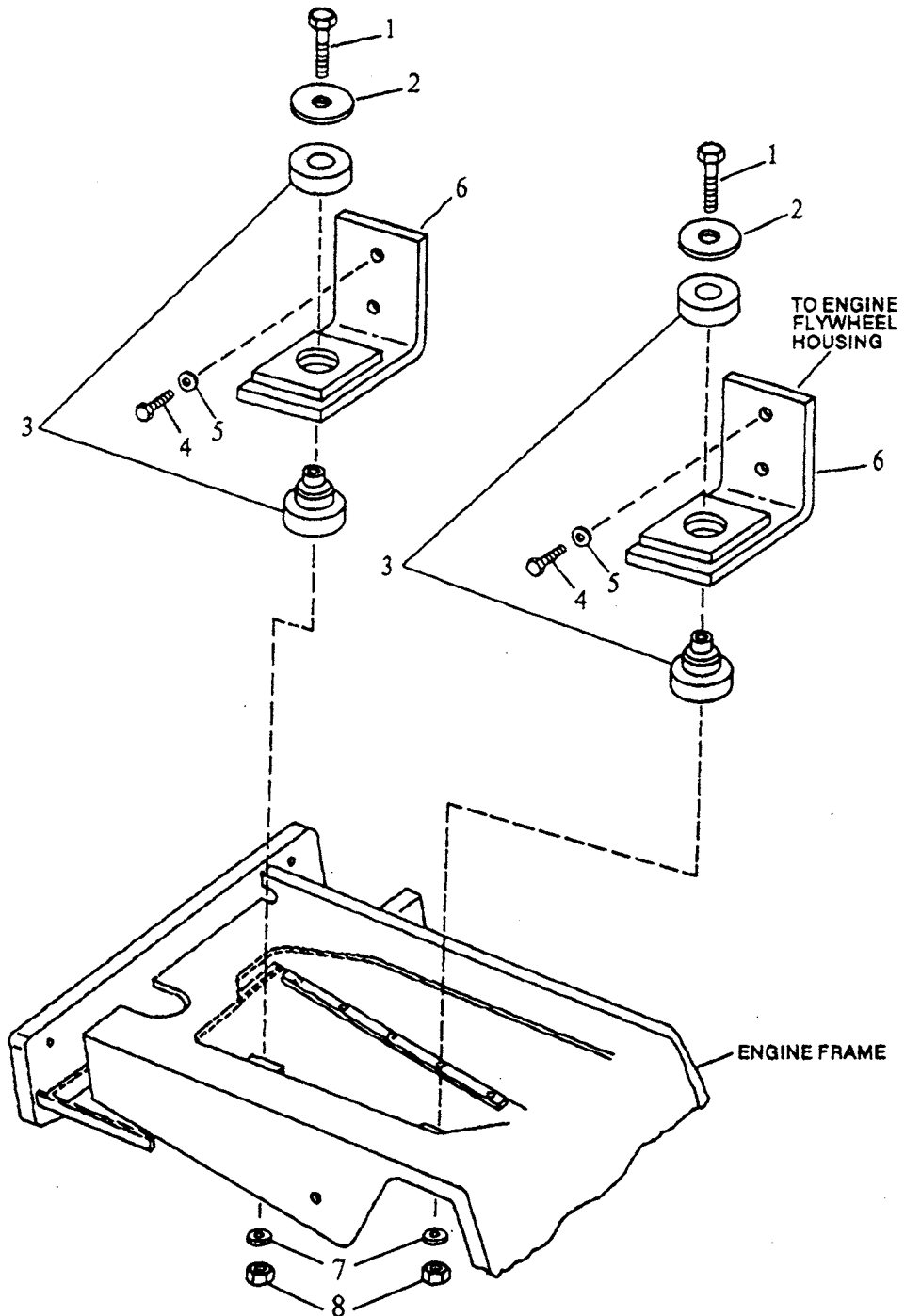
KEY	PART NO.	PART NAME	QTY	SERIAL NO.	REMARKS
1	AT161101	MUFFLER	1		
2	T54568	LOCK NUT	2		
3	24H1682	WASHER	4		13/32" X 7/8" X 0.120"
4	AR43704	CLAMP	2		HALF
5	19H2855	CAP SCREW	2		3/8" X 3-1/4"



# 1J18

TP33764

## ENGINE MOUNTING BRACKETS



TP33764

# 1J19

ENGINE AUXILIARY SYSTEM 5

MOUNTING FRAME 0540

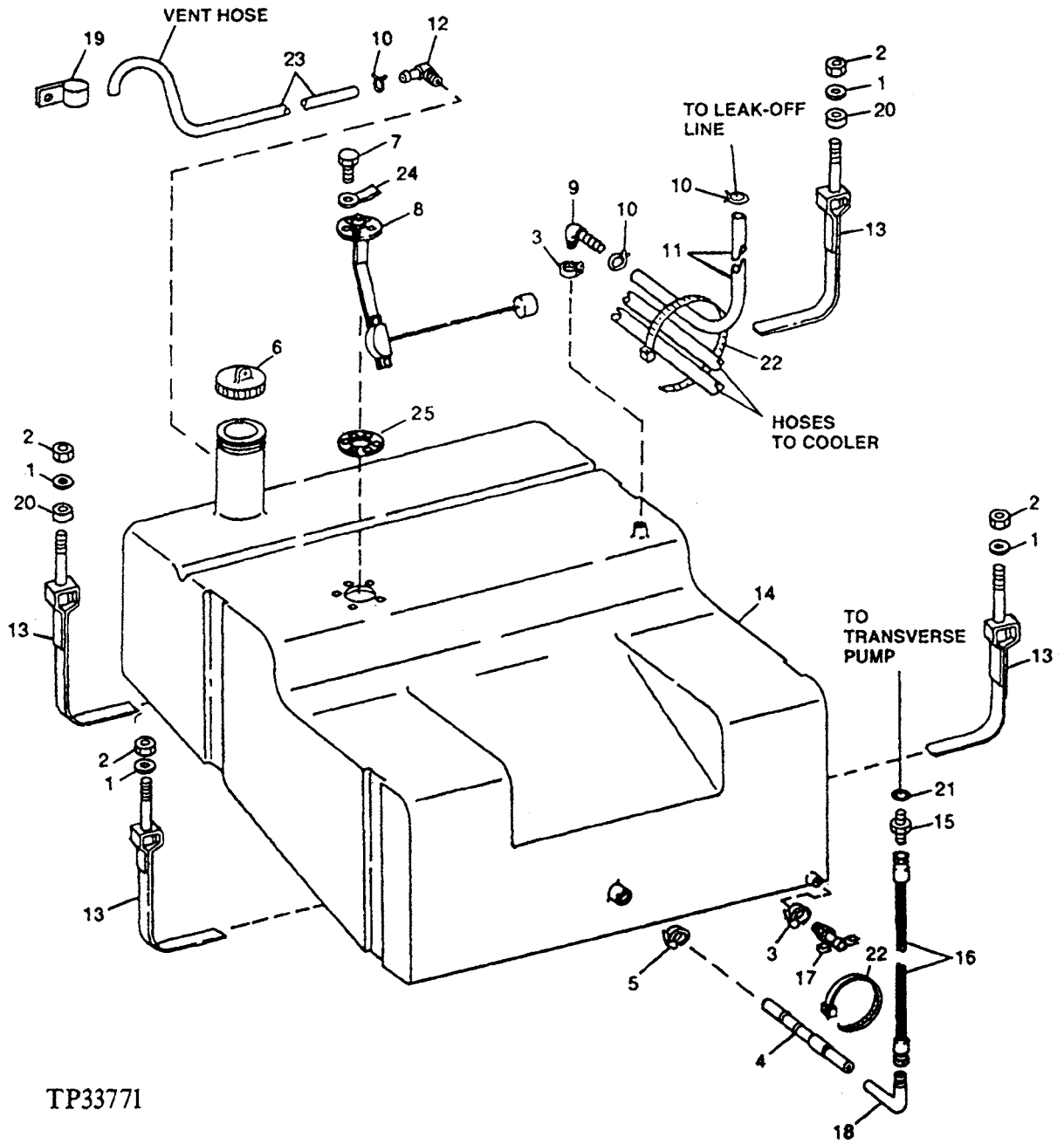
## ENGINE MOUNTING BRACKETS

KEY	PART NO.	PART NAME	QTY	SERIAL NO.	REMARKS
1	19M7883	SCREW	4		M20 X 120
2	T42977	WASHER	4		
3	AT107738	ISOLATOR	4		
4	19H3107	CAP SCREW	8		5/8" X 2-3/4"
5	24M7241	WASHER	8		17 X 34 X 4 MM
6	AT157188	BRACKET	4		
7	24M7242	WASHER	4		21.400 X 42 X 5 MM
8	14M7277	NUT	4		M20

# 1J20

## FUEL TANK AND FUEL TANK HOSES

TP33771



TP33771

# 1J21

ENGINE AUXILIARY SYSTEM 5

EXTERNAL FUEL SUPPLY SYSTEMS 0560

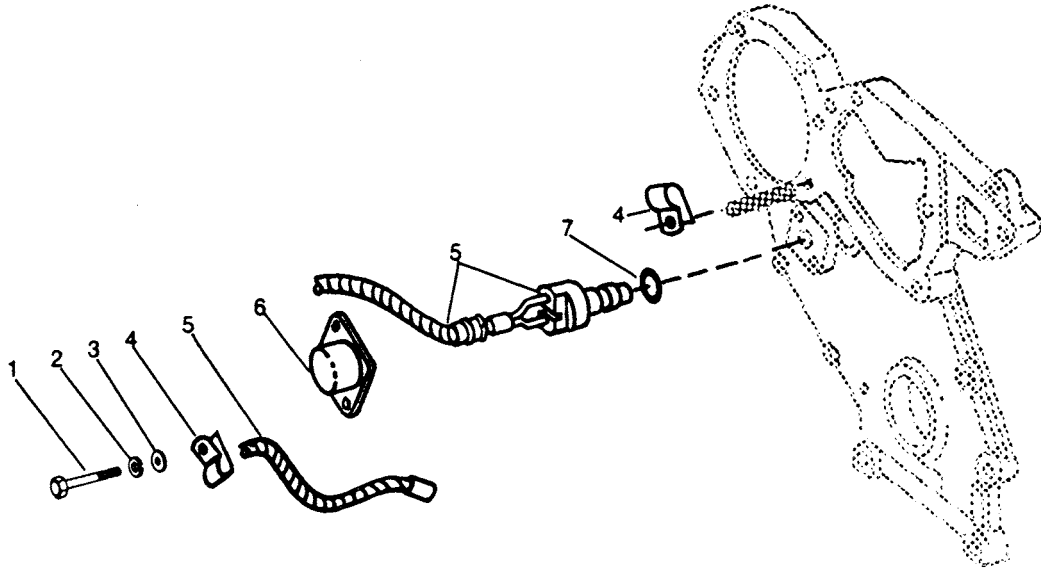
## FUEL TANK AND FUEL TANK HOSES

KEY	PART NO.	PART NAME	QTY	SERIAL NO.	REMARKS
1	24M7296	WASHER	4		10.500 X 30 X 2.500 MM
2	14M7400	LOCK NUT	4		M10
3	AR21836	CLAMP	2		(FRONT AND REAR)
4	T42632	FILTER	1		
5	AR21839	CLAMP	1		
6	AM116170	FILLER CAP	1		
7	21H1300	SCREW	5		NO. 10 X 3/8"
8	AT133117	SENDER	1		(REQUIRES TY6350 LUBRICANT)
9	T28077	ELBOW FITTING	1		
10	T13254	CLAMP	3		
11	.....	HOSE	AR		(MAKE FROM T79477 BULK MATERIAL, CUT TO LENGTH)
12	E48497	HOSE FITTING	1		
13	AT150780	STRAP	AR		
14	T140276	FUEL TANK	1		
15	T104327	ADAPTER	1		
16	.....	HYDRAULIC HOSE	1		
17	AT156632	DRAIN VALVE	1		
18	T145452	FITTING	1		
19	T75197	CLAMP	2		
20	28H2522	SPACER	2		0.423" X 0.675" X 13/16"
21	T55758	O-RING	1		
22	H77698	TIE BAND	3		
23	.....	HOSE	AR		(MAKE FROM T79478 BULK MATERIAL, CUT TO LENGTH)
24	57M7116	TAB	1		
25	R27181	GASKET	1		

# 1J22

## MAGNETIC PICK-UP

RGP1236



RGP1236

KEY	PART NO.	PART NAME	QTY	ENGINE SERIAL NO.	REMARKS
1	19H1948	CAP SCREW	2		1/4" X 3/4"
2	12H302	LOCK WASHER	2		1/4"
3	24H1287	WASHER	2		9/32" X 5/8" X 0.065"
4	T13814	CLAMP	2		
5	RE12180	SENSOR	1		
6	R67230	COVER	1		
7	R79915	O-RING	1		

MEMORANDA



# 1K03

STEERING SYSTEM 9

SECONDARY STEERING 0930

## SECONDARY STEERING

KEY	PART NO.	PART NAME	QTY	SERIAL NO.	REMARKS
1	38H1033	TEE FITTING	1		
2	T77858	O-RING	5		
3	T77814	O-RING	3		
4	38H1022	TEE FITTING	1		
5	R28782	O-RING	3		
6	AT103644	HYDRAULIC HOSE	1		9/16" X 206 MM (8") X 9/16"
7	U12547	O-RING	2		
8	AT83306	ADAPTER	1		
9	R29936	O-RING	1		
10	38H1159	ADAPTER	1		
11	R51031	FITTING	1		
12	R44302	TIE BAND	3		
13	38H1048	ELBOW FITTING	1		
14	AT117265	TOUCH SWITCH	1		
15	AT116373	CHECK VALVE	1		
16	AT117266	WIRING HARNESS	1		
17	AT103645	HYDRAULIC HOSE	1		13/16" X 1 600 MM (63") X 13/16", (OUTLET)
18	T120666	PLATE	1		
19	T14040	BUSHING	2		
20	19H1648	CAP SCREW	2		3/8" X 3/4"
21	14M7296	FLANGE NUT	2		M10
22	AT141527	CHECK VALVE	1		
23	T77857	O-RING	2		
24	R26375	O-RING	2		
25	19M8162	CAP SCREW	2		M10 X 40
26	24M7239	WASHER	4		10.700 X 21 X 2.500 MM
27	RE23393	PUMP	1		
28	38H1005	ELBOW FITTING	1		
29	AT103646	HYDRAULIC HOSE	1		1-3/16" X 750 MM (29-1/2") X 1-3/16", (INLET)
30	AT103311	WIRING HARNESS	1		
31	R26906	O-RING	1		
32	38H1193	ADAPTER	1		
33	.....	JUNCTION BLOCK	1		(SUB AT117264)
34	AT117264	SWITCH	1		
35	<b>AT157468</b>	<b>KIT</b>	<b>1</b>		<b>(ALSO INCLUDES CONTROLLER, RELAY AND CAUTION LABEL)</b>



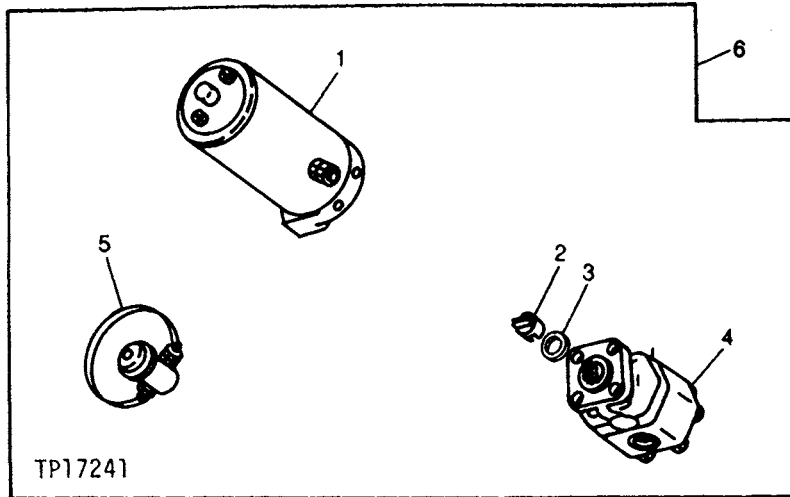
# 1K04

STEERING SYSTEM 9

SECONDARY STEERING 0930

## SECONDARY STEERING PUMP

TP17241



KEY	PART NO.	PART NAME	QTY	SERIAL NO.	REMARKS
1	RE27160	MOTOR	1		
2	R87565	COUPLING	1		
3	RE27162	SEAL	1		
4	RE27159	PUMP	1		
5	RE27161	SWITCH	1		
6	RE23393	PUMP	1		

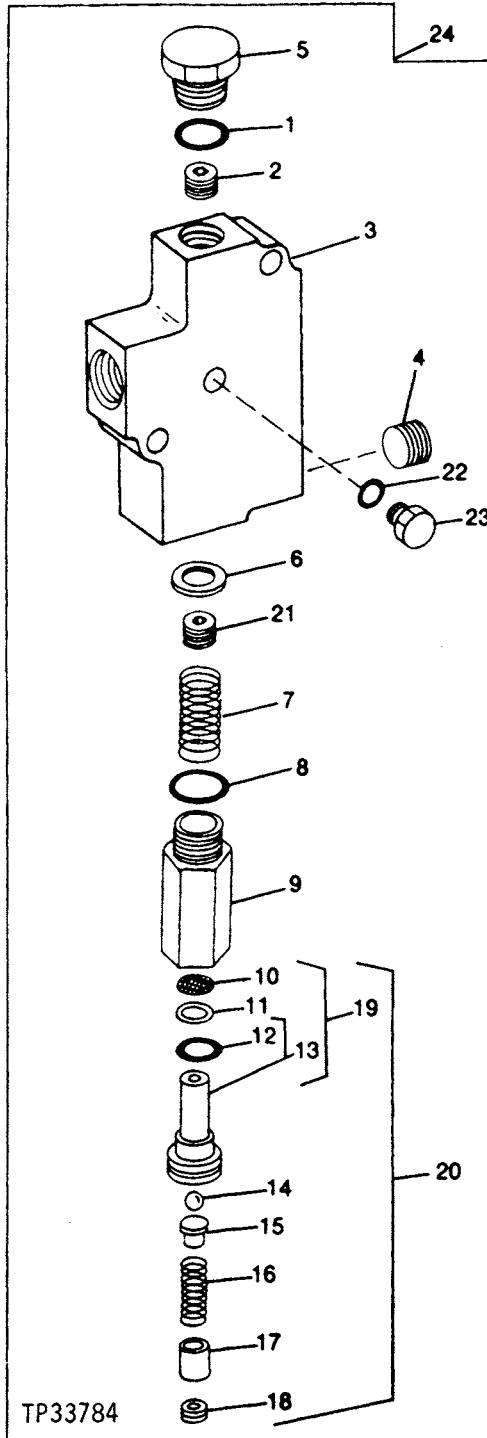
---

**MEMORANDA**

# 1K05

TP33784

## PRIORITY VALVE



# 1K06

STEERING SYSTEM 9

HYDRAULIC SYSTEM 0960

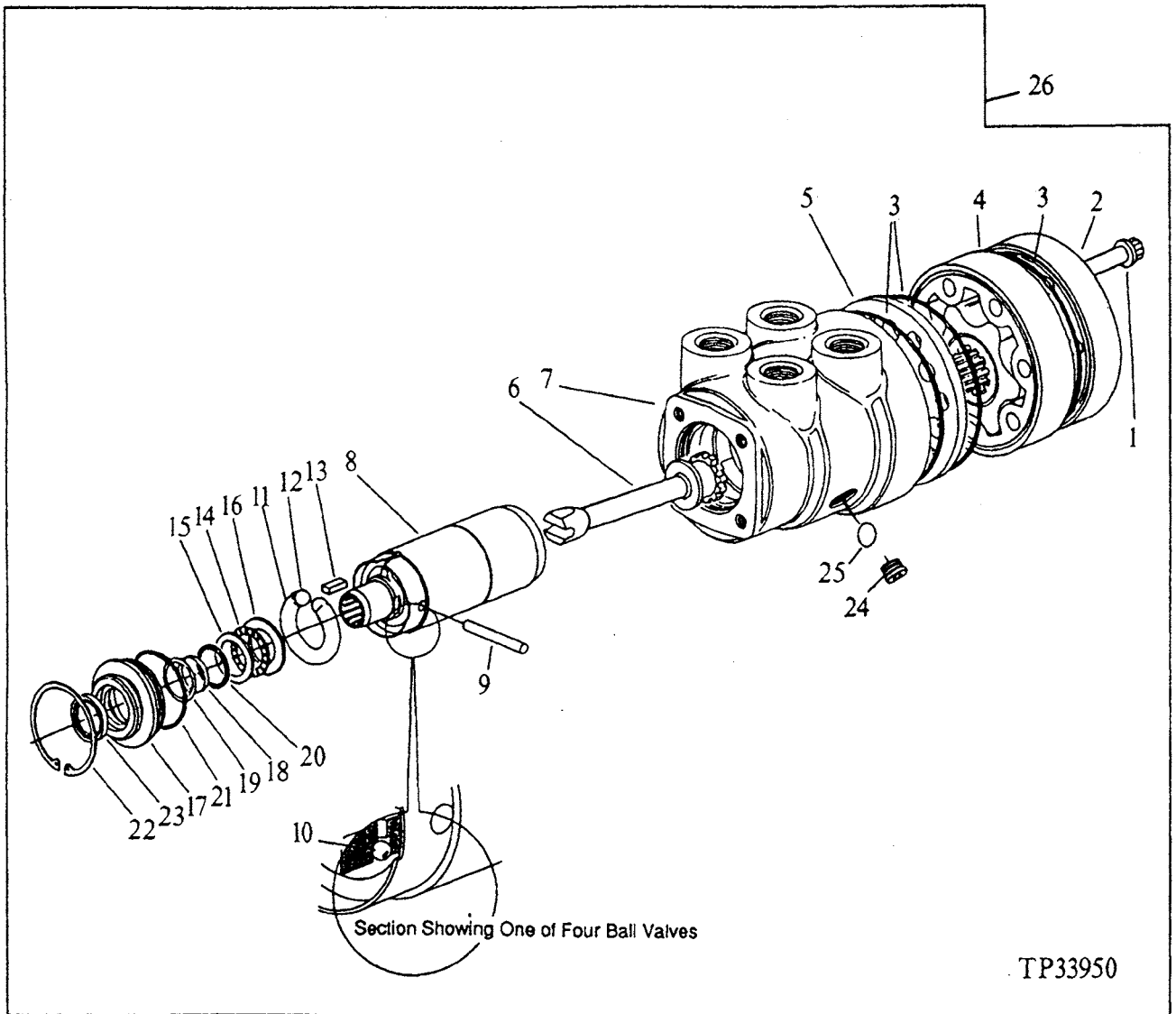
## PRIORITY VALVE

KEY	PART NO.	PART NAME	QTY	SERIAL NO.	REMARKS
1	U17409	O-RING	1		
2	T107239	ORIFICE	1		
3	.....	HOUSING	1		(SUB AT157461)
4	T107255	ORIFICE	1		
5	T54922	FITTING PLUG	1		
6	M46653	THRUST WASHER	1		
7	T101572	COMPRESSION SPRING	1		
8	R29936	O-RING	1		
9	T101575	HOUSING	1		
10	.....	SCREEN	1		(SUB AT103925)
11	.....	RING	1		(SUB AT103925)
12	R26375	O-RING	1		
13	.....	SPOOL	1		(SUB AT103925)
14	.....	BALL	1		(SUB AT103925)
15	.....	HOLDER	1		(SUB AT103925)
16	.....	SPRING	1		(SUB AT103925)
17	.....	GUIDE	1		(SUB AT103925)
18	.....	SET SCREW	1		(SUB AT103925)
19	.....	SPOOL	1		(SUB AT103925)
20	AT103925	RELIEF VALVE	1		
21	T101571	ORIFICE	1		
22	R28782	O-RING	1		
23	R51031	FITTING	1		
24	AT102547	VALVE	1		

# 1K07

## STEERING VALVE

TP33950



TP33950

# 1K08

STEERING SYSTEM 9

HYDRAULIC SYSTEM 0960

## STEERING VALVE

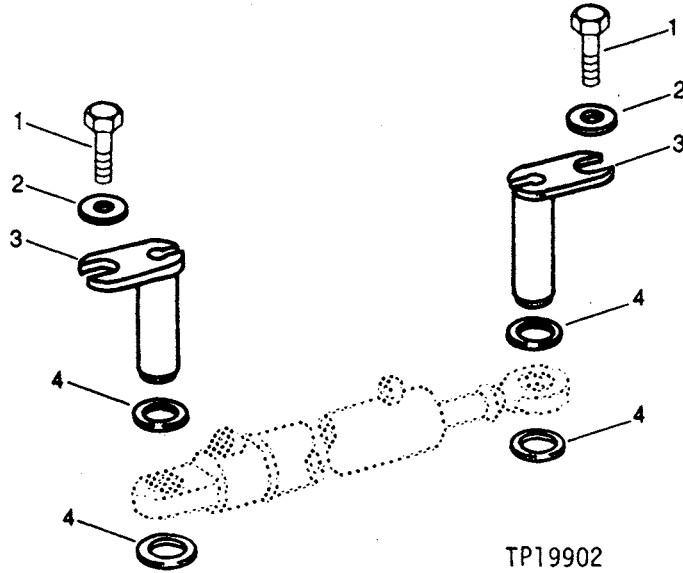
KEY	PART NO.	PART NAME	QTY	SERIAL NO.	REMARKS
1	T101540	CAP SCREW	7		
2	T102465	CAP	1		
3	.....	O-RING	3		(K) (SUB AT83824)
4	.....	ROTATOR	1		(SUB AT149536)
5	T101551	WEAR PLATE	1		
6	T81018	DRIVE SHAFT	1		
7	.....	HOUSING	1		(SUB AT149536)
8	.....	SPOOL	1		(SUB AT149536)
9	T145413	PIN	1		
10	T146624	BALL	4		
11	T146625	SPRING	1		
12	R26552	BALL	2		
13	T146626	KEY	1		
14	JD8856	NEEDLE BEARING	1		
15	T41836	BEARING RACE	1		
16	T146620	BEARING RACE	1		
17	T146622	RETAINER	1		
18	.....	SEAL	1		(K) (SUB AT83824)
19	.....	RING	1		(K) (SUB AT83824)
20	P51079	O-RING	1		(K)
21	U42111	O-RING	1		(K)
22	R28557	SNAP RING	1		
23	C15104	SEAL	1		(K)
24	X05HP-4	FITTING	1		
25	R28782	O-RING	1		
26	AT149536	VALVE	1		

(K) AT83824 SEAL REPAIR KIT

# 1K09

## STEERING CYLINDER PINS

TP19902



KEY	PART NO.	PART NAME	QTY	SERIAL NO.	REMARKS
1	19M8029	CAP SCREW	2		M16 X 30
2	T146246	WASHER	2		
3	AT157299	PIN	2		
4	24H1576	WASHER	AR		1-13/16" X 2-15/16" X 0.075"

---

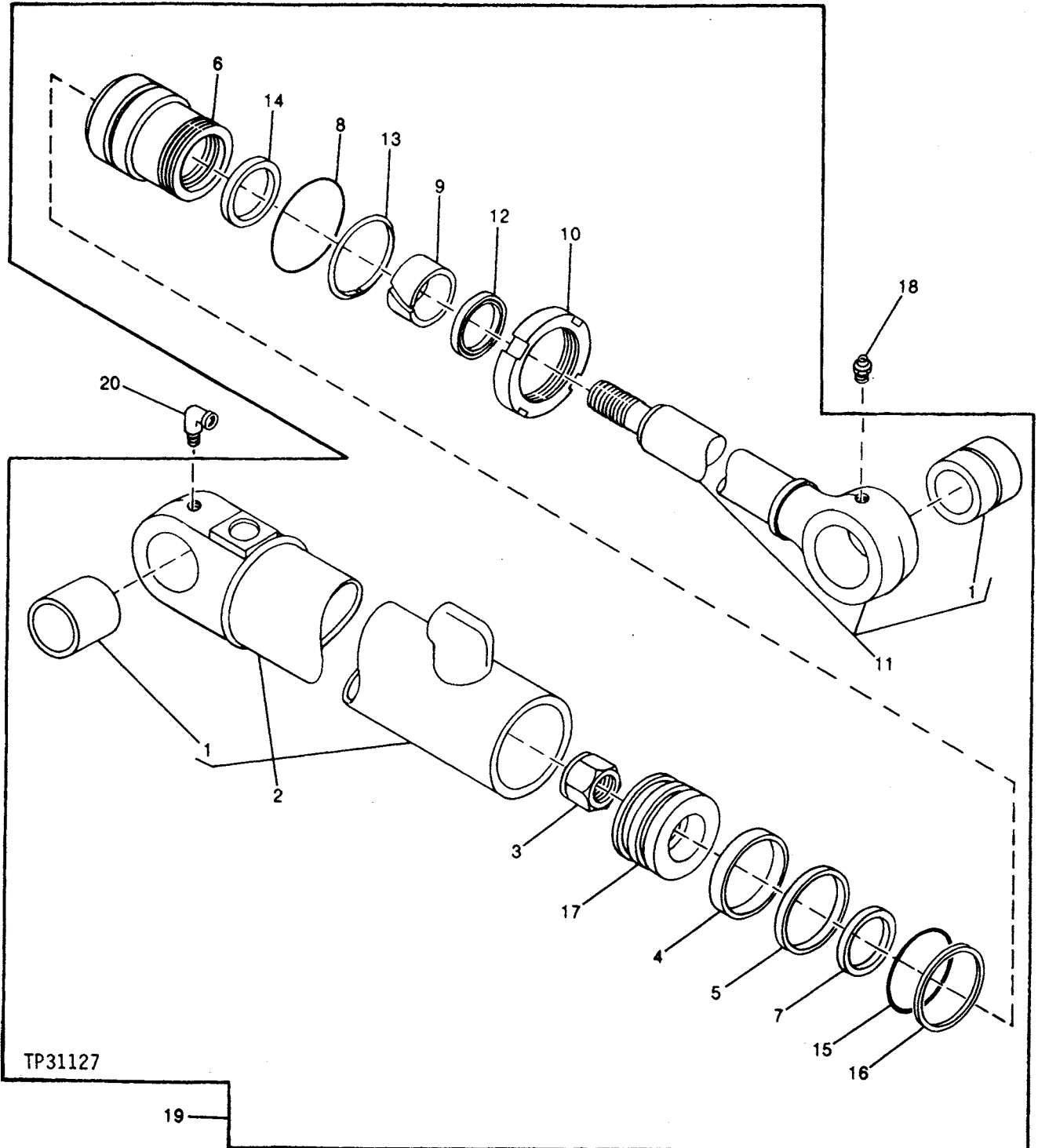
**MEMORANDA**



# 1K10

## STEERING CYLINDER

TP31127



TP31127

# 1K11

STEERING SYSTEM 9

HYDRAULIC SYSTEM 0960

## STEERING CYLINDER

KEY	PART NO.	PART NAME	QTY	SERIAL NO.	REMARKS
1	R89940	BUSHING	2		
2	RE25050	HYDRAULIC CYLINDER BARREL	1		
3	R81866	NUT	1		
4	R81776	WEAR RING	1		(BK)
5	RE20344	SEAL	1		(BK)
6	R81766	HYDR. CYLINDER ROD GUIDE	1		
7	RE20491	SEAL	1		(RK)
8	R81788	RING	1		
9	R81779	WEAR RING	1		(RK)
10	R81794	NUT	1		
11	RE25052	ROD	1		
12	RE24535	SEAL	1		(RK)
13	R91730	BACK-UP RING	1		(BK)
14	R81856	SEAL	1		(RK)
15	R79101	BACK-UP RING	1		(BK)
16	R83576	O-RING	1		(BK)
17	R81771	PISTON	1		
18	JD7798	LUBRICATION FITTING	1		
19	RE24865	HYDRAULIC CYLINDER	1		
20	T56112	ELBOW FITTING	1		

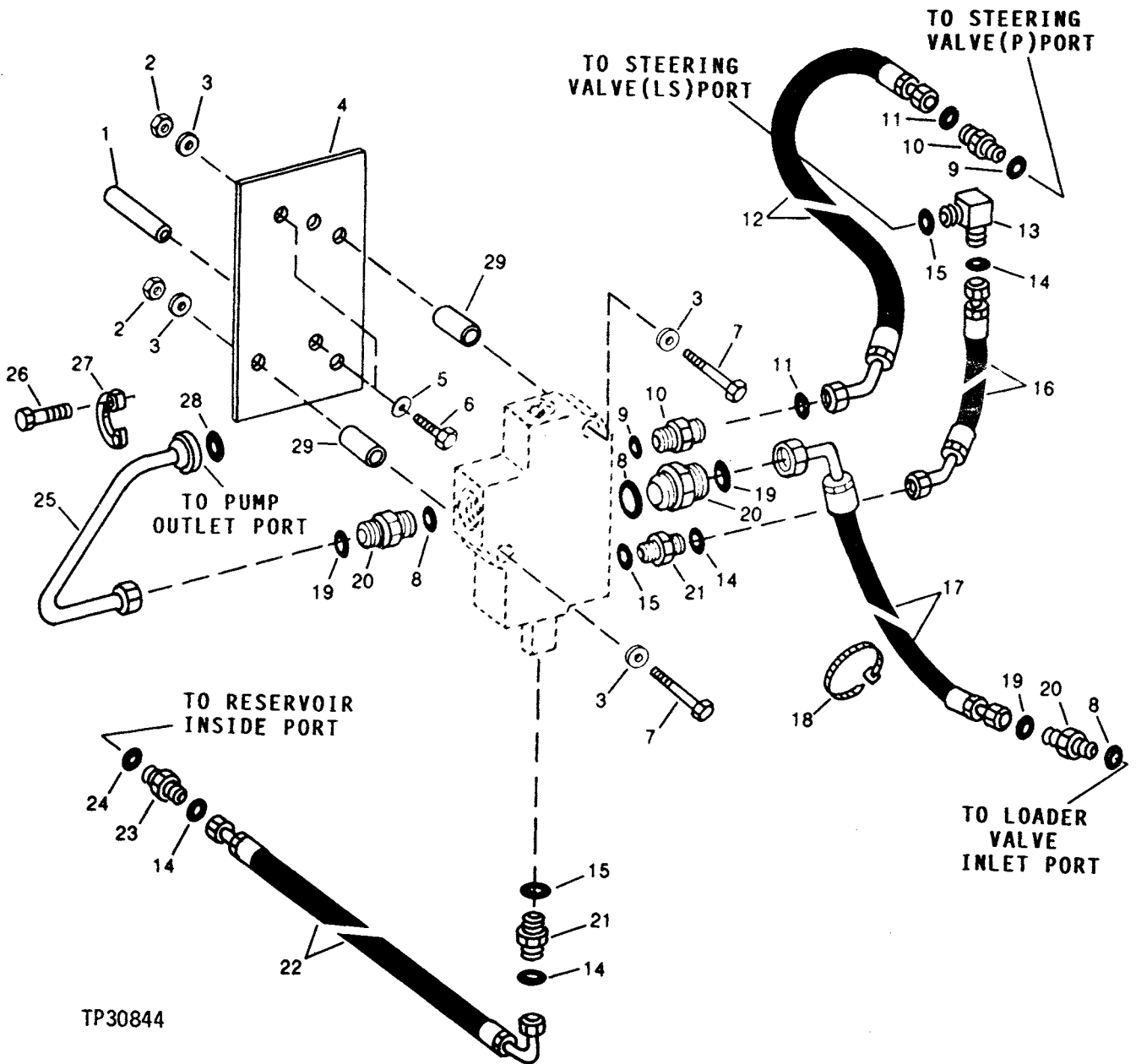
(BK) RE20430 BORE REPAIR KIT

(RK) RE20434 ROD REPAIR KIT

# 1K12

## PRIORITY VALVE HYDRAULICS

TP30844



# 1K13

STEERING SYSTEM 9

HYDRAULIC SYSTEM 0960

## PRIORITY VALVE HYDRAULICS-CONTINUED

KEY	PART NO.	PART NAME	QTY	SERIAL NO.	REMARKS
1	28H3306	BUSHING	2		
2	14M7299	FLANGE NUT	2		M12
3	24M7240	WASHER	4		13 X 25 X 3 MM
4	T145081	PLATE	1		
5	24M7188	WASHER	2		22 X 37 X 3 MM
	24M7188	WASHER	4		22 X 37 X 3 MM
6	19M8503	CAP SCREW	2		M20 X 160
7	19M7914	CAP SCREW	2		M12 X 120
8	U13639	O-RING	3		
9	U12547	O-RING	2		
10	38H1163	ADAPTER	2		
11	T77858	O-RING	2		
12	AT102902	HYDRAULIC HOSE	1		1-3/16" X 1 180 MM (46-1/2") X 1-3/16"
13	38H1003	ELBOW FITTING	1		
14	T77814	O-RING	4		
15	R28782	O-RING	3		
16	AT102542	HYDRAULIC HOSE	1		9/16" X 1 380 MM (54-1/4") X 9/16"
17	AT116091	HYDRAULIC HOSE	1		TWO-SPOOL TANDEM VALVE
	AT102917	HYDRAULIC HOSE	1		THREE-SPOOL TANDEM VALVE
	AT102917	HYDRAULIC HOSE	1		TWO-SPOOL AND THREE-SPOOL VALVE
18	H77698	TIE BAND	AR		
19	T78612	O-RING	3		
20	38H1165	ADAPTER	1		
21	38H1159	ADAPTER	1		
22	AT117118	HYDRAULIC HOSE	1		9/16" X 1 200 MM (47-1/4") X 9/16"
23	38H1168	ADAPTER	1		
24	R26448	O-RING	1		
25	AT103973	OIL LINE	1		
26	19H3205	CAP SCREW	4		7/16" X 1-1/2"
27	R29867	FLANGE FITTING	2		
28	U10289	O-RING	1		
29	28H2514	BUSHING	2		

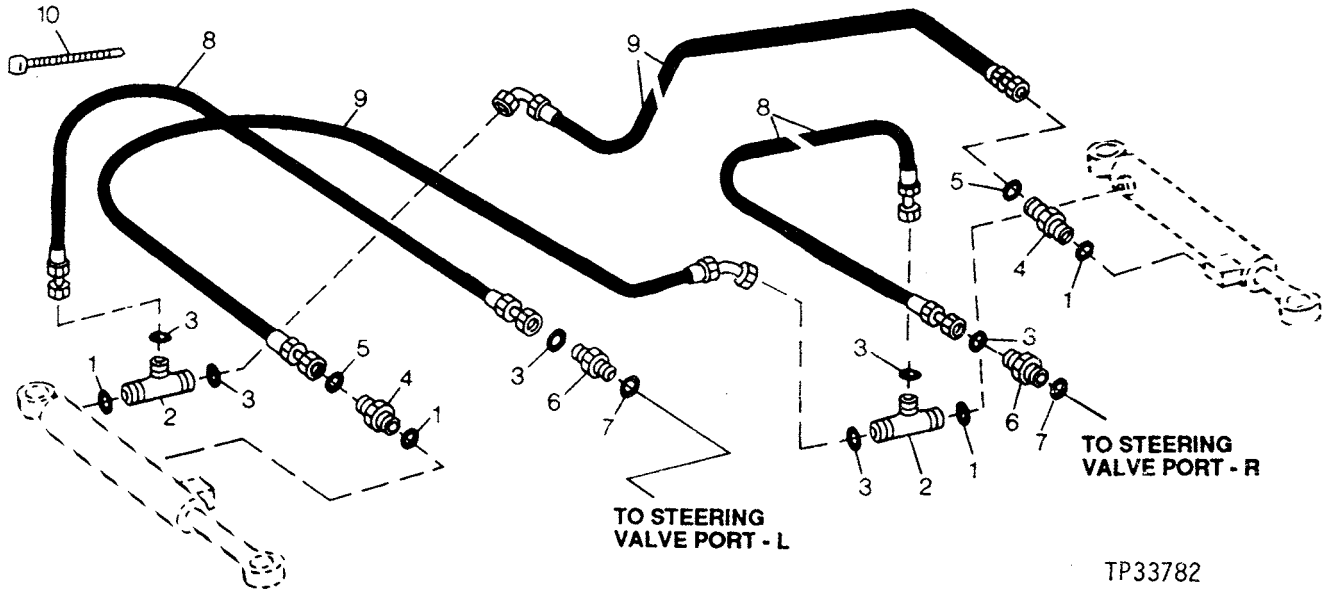
# 1K14

STEERING SYSTEM 9

HYDRAULIC SYSTEM 0960

## STEERING CYLINDER HYDRAULICS

TP33782



TP33782

KEY	PART NO.	PART NAME	QTY	SERIAL NO.	REMARKS
1	U12547	O-RING	4		
2	38H1376	TEE FITTING	2		
3	T77932	O-RING	6		
4	38H1175	ADAPTER	2		
5	T77857	O-RING	2		
6	38H1329	ADAPTER	2		
7	U12547	O-RING	2		
8	AT151387	HYDRAULIC HOSE	2		1" X 1 880 MM (74") X 1"
9	AT151260	HYDRAULIC HOSE	2		
10	H77698	TIE BAND	AR		

---

**MEMORANDA**

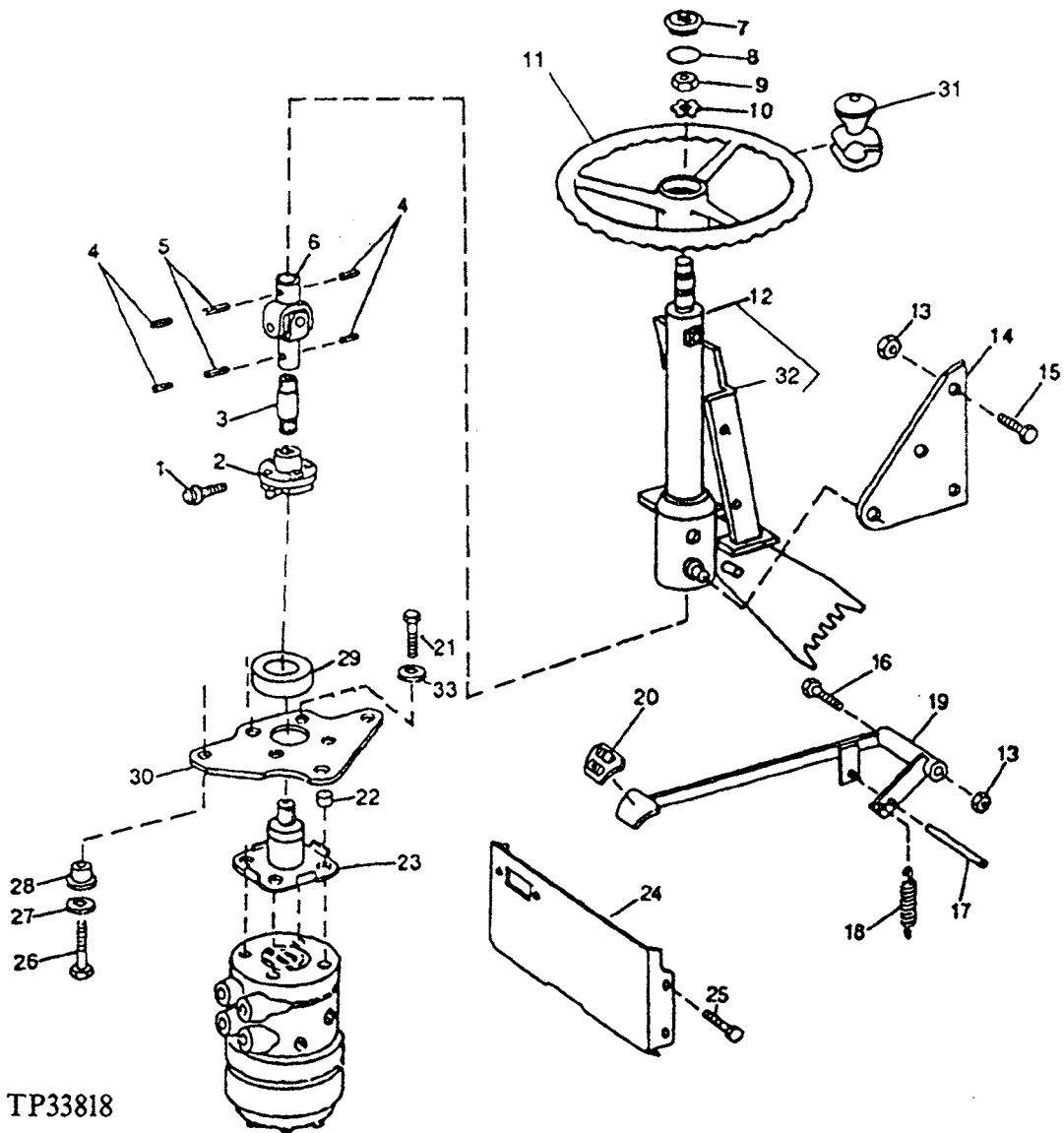
# 1K15

STEERING SYSTEM 9

HYDRAULIC SYSTEM 0960

## STEERING WHEEL, COLUMN AND LINKAGE

TP33818



# 1K16

STEERING SYSTEM 9

HYDRAULIC SYSTEM 0960

## STEERING WHEEL, COLUMN AND LINKAGE

KEY	PART NO.	PART NAME	QTY	SERIAL NO.	REMARKS
1	T39049	BOLT	2		
2	AT103624	ISOLATOR	1		
3	T102784	SHAFT	1		
4	34H260	SPRING PIN	4		5/32" X 5/8"
5	34H316	SPRING PIN	2		1/4" X 1-1/2"
6	AT112370	UNIVERSAL JOINT	1		
7	R47998	CAP	1		
8	B3690R	O-RING	1		
9	T13630	NUT	1		
10	T17148	LOCK WASHER	1		
11	AT139694	STEERING WHEEL	1		
12	AT157673	STEERING COLUMN	1		
13	14M7167	LOCK NUT	4		M10
14	T119618	PLATE	1		
15	19M7785	SCREW	3		M10 X 25
16	19M7668	CAP SCREW	1		M10 X 100
17	34H356	SPRING PIN	1		3/8" X 2-1/4"
18	T143245	SPRING	1		
19	AT103716	LATCH	1		
20	T102765	PAD	1		
21	19H3219	CAP SCREW	4		3/8" X 1-3/8"
22	28H860	WASHER	4		0.423" X 0.675" X 3/8"
23	AT156896	STEERING COLUMN	1		
24	T143198	COVER	1		
25	T108221	SCREW	4		M6 X 14
26	19H2633	CAP SCREW	3		3/8" X 1-1/2"
27	24H1176	WASHER	3		13/32" X 1-1/4" X 0.100"
28	AT116162	RUBBER MOUNT	3		
29	T102783	SEAL	1		
30	T102682	PLATE	1		
31	AT157546	KNOB	1		
32	AT157674	BRACKET	1		



MEMORANDA

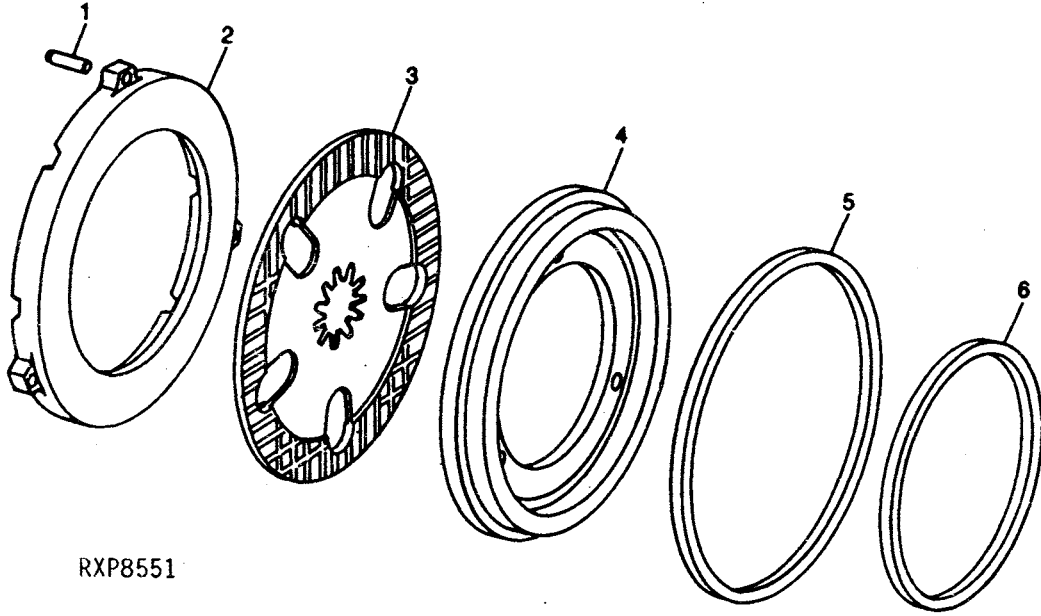
# 1K18

SERVICE BRAKES 10

ACTIVE ELEMENTS 1011

## BRAKES (RE44162) (OC-3)

RXP8551



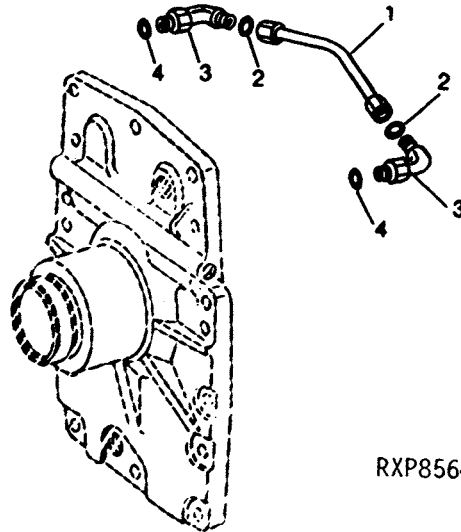
RXP8551

KEY	PART NO.	PART NAME	QTY	AXLE SERIAL NO.	REMARKS
1	R53579	QUICK LOCK PIN	3		
2	R116835	PLATE	1		
3	RE51683	BRAKE DISK	1		
4	R106974	PISTON	1		
5	R106739	SEAL	1		
6	R106740	SEAL	1		

# 1K19

## DIFFERENTIAL BRAKE LINE (RE44162) (OC-3)

RXP8564



RXP8564

KEY	PART NO.	PART NAME	QTY	AXLE SERIAL NO.	REMARKS
1	RE44384	OIL LINE	1		
2	T77814	O-RING	2		
3	38H1003	ELBOW FITTING	2		
4	R28782	O-RING	2		

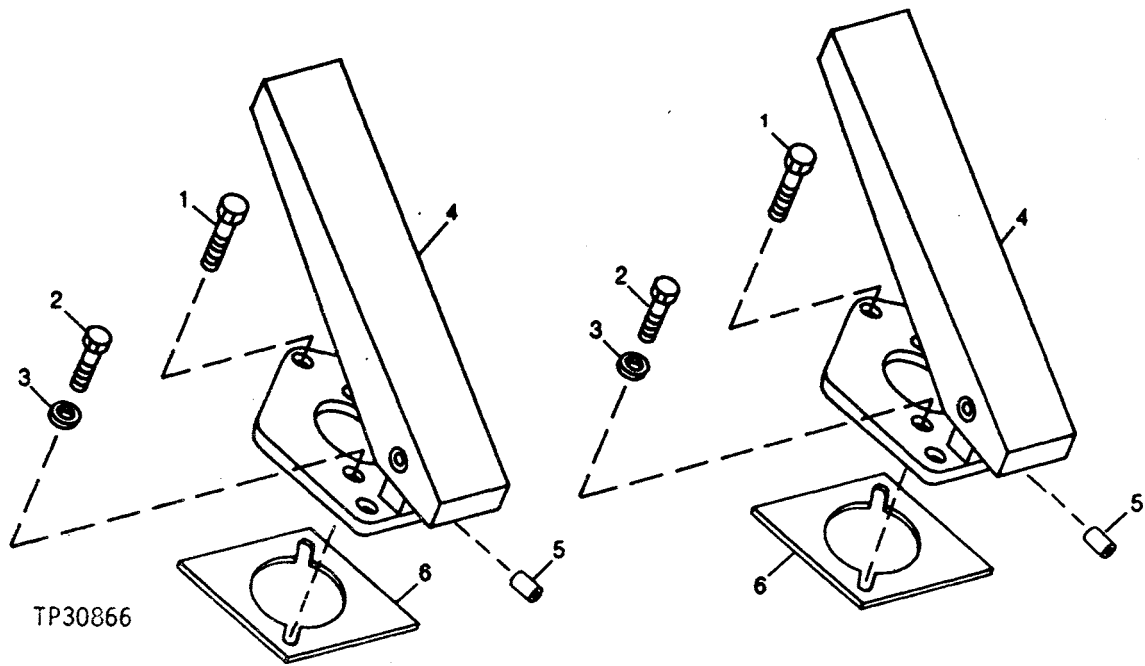
# 1K20

SERVICE BRAKES 10

CONTROLS LINKAGE 1015

## BRAKE PEDALS

TP30866

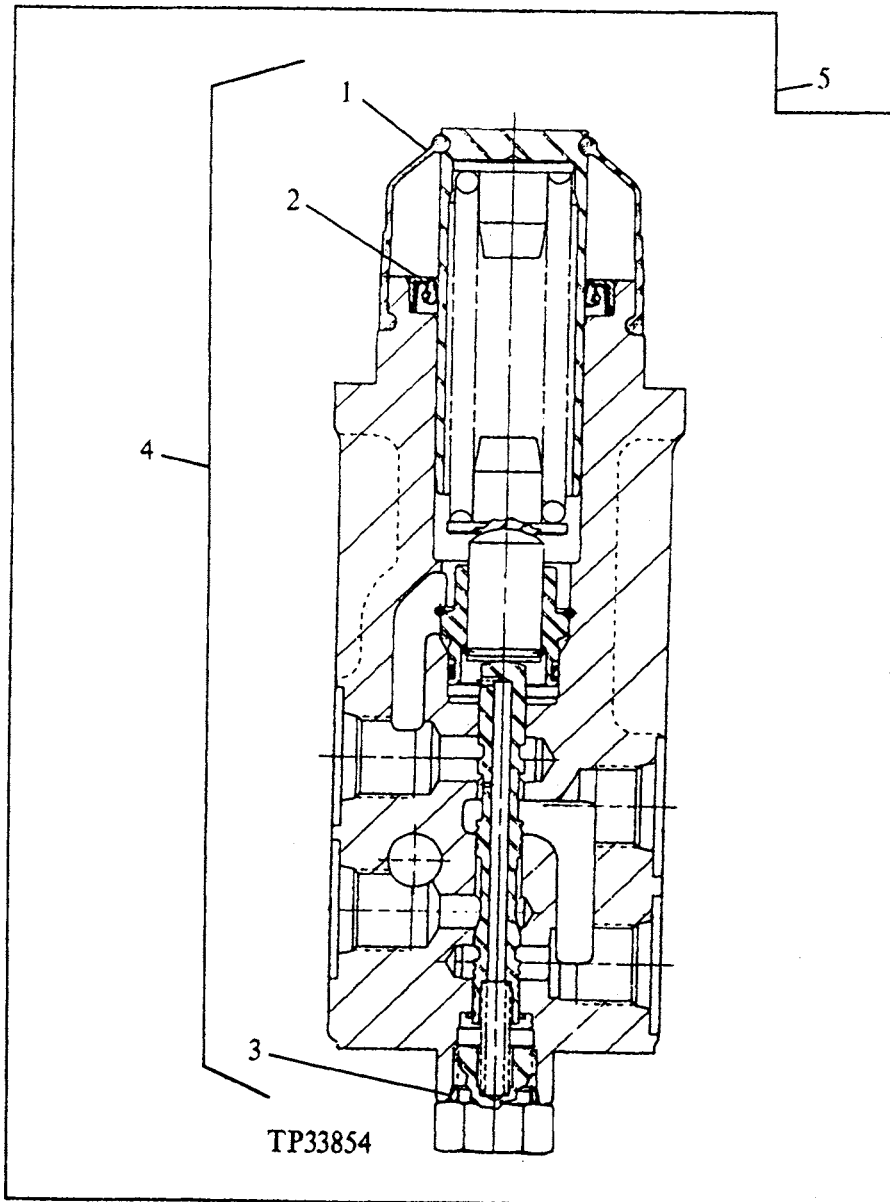


KEY	PART NO.	PART NAME	QTY	SERIAL NO.	REMARKS
1	19M7775	SCREW	6		M6 X 16
2	19M7407	CAP SCREW	4		M8 X 25
3	24M7238	WASHER	4		8.700 X 17 X 2 MM
4	AT161072	PEDAL	2		
5	T68704	SLEEVE	2		
6	T126170	SPACER	2		

# 1K21

## BRAKE VALVE

TP33854



TP33854

# 1K22

SERVICE BRAKES 10

HYDRAULIC SYSTEM 1060

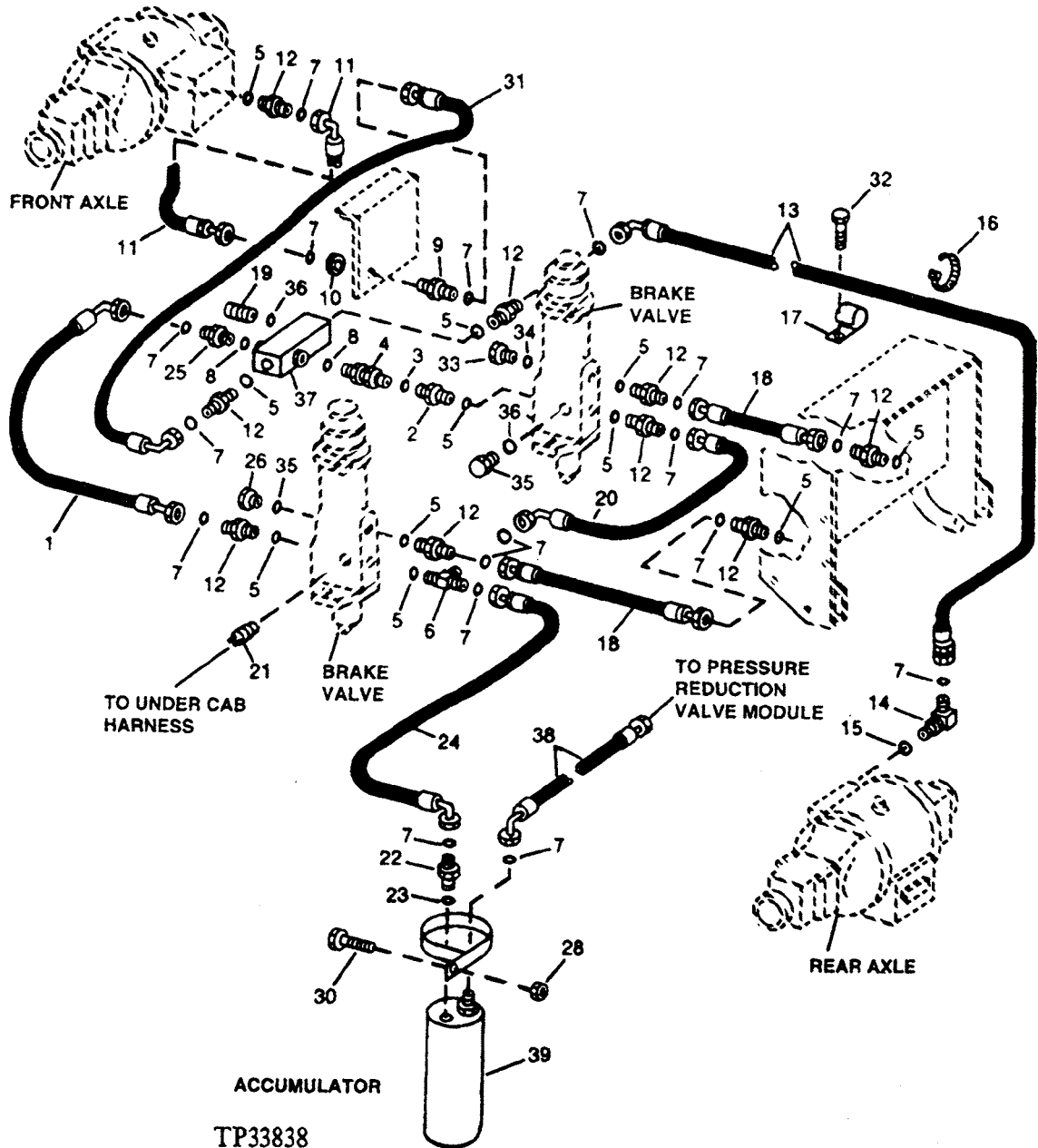
## BRAKE VALVE

KEY	PART NO.	PART NAME	QTY	SERIAL NO.	REMARKS
1	.....	BOOT	1		(SUB AT150112) (USE WITH AT151825)
2	.....	SEAL	1		(SUB AT150112) (USE WITH AT151825)
3	.....	O-RING	1		(SUB AT150112) (USE WITH AT151825)
4	AT150112	KIT	1		
5	AT151825	VALVE	1		

# 1K23

## BRAKE VALVE HYDRAULICS

TP33838



TP33838

# 1K24

SERVICE BRAKES 10

HYDRAULIC SYSTEM 1060

## BRAKE VALVE HYDRAULICS

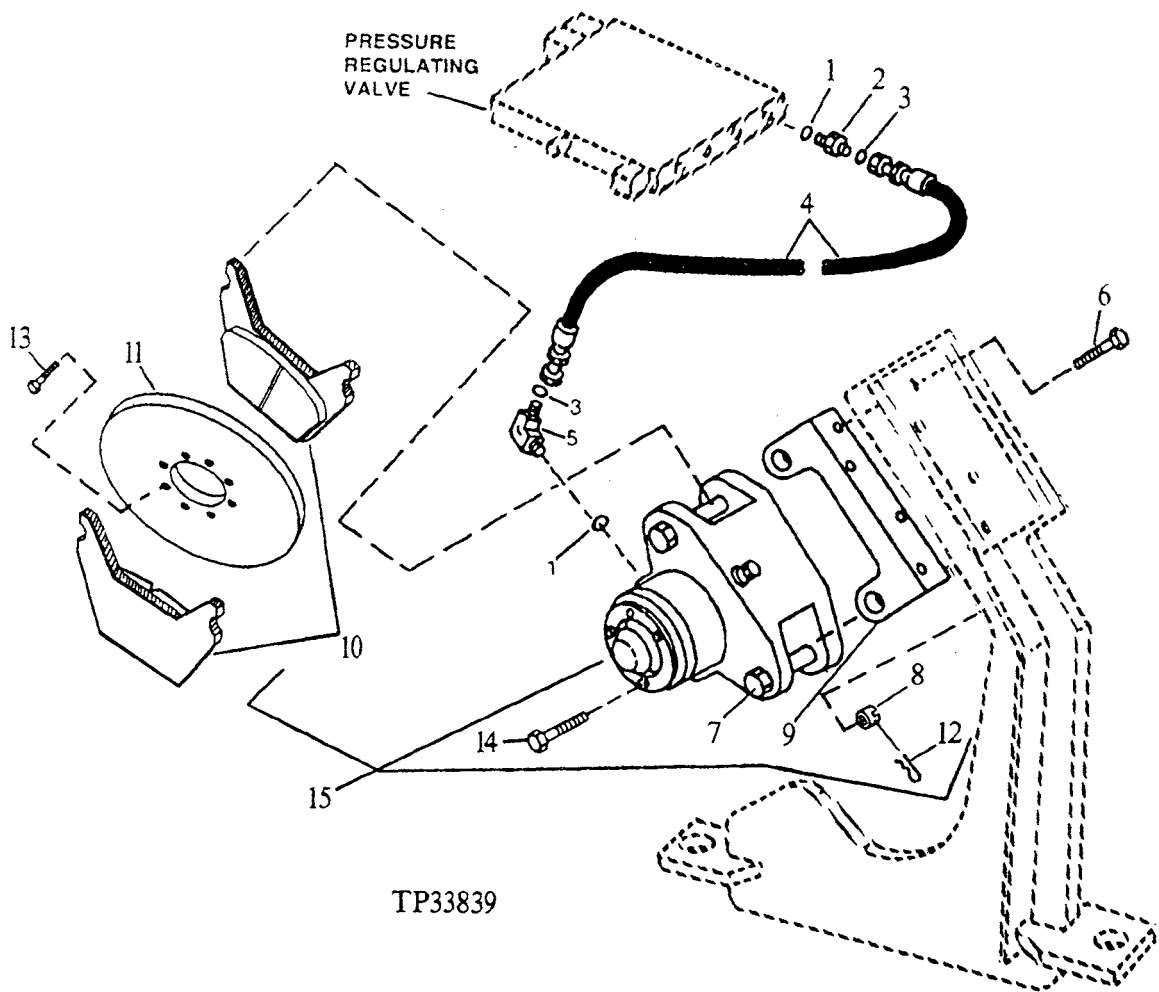
KEY	PART NO.	PART NAME	QTY	SERIAL NO.	REMARKS
1	AT157689	HYDRAULIC HOSE	1		11/16" X 451 MM (17-3/4") X 11/16"
2	38H1173	ADAPTER	1		
3	T77857	O-RING	1		
4	38H1068	ADAPTER	1		
5	R26448	O-RING	10		
6	38H1023	TEE FITTING	1		
7	T77613	O-RING	15		
8	R26375	O-RING	2		
9	38H1285	UNION FITTING	1		
10	T81029	NUT	1		
11	AT102909	HYDRAULIC HOSE	1		11/16" X 1 816 MM (71-1/2") X 11/16"
12	38H1160	ADAPTER	9		
13	AT102910	HYDRAULIC HOSE	1		11/16" X 2 230 MM (87-3/4") X 11/16"
14	38H1004	ELBOW FITTING	1		
15	R26448	O-RING	1		
16	H77698	TIE BAND	AR		
17	N191985	CLIP	1		
18	AT102421	HYDRAULIC HOSE	2		11/16" X 1 265 MM (49-3/4") X 11/16"
19	AT150025	SWITCH	1		
20	AT102417	HYDRAULIC HOSE	1		11/16" X 505 MM (20") X 11/16"
21	AT150024	SWITCH	2		LOW BRAKE PRESSURE
22	38H1170	ADAPTER	1		
23	R26448	O-RING	1		
24	AT102417	HYDRAULIC HOSE	1		11/16" X 20" X 11/16"
25	38H1171	ADAPTER	1		
26	R27216	DRAIN PLUG	1		
27	T126204	CLAMP	2		
28	14M7296	FLANGE NUT	2		M10
29	24M7239	WASHER	2		10.700 X 21 X 2.500 MM
30	19M8162	CAP SCREW	1		M10 X 40
31	AT102553	HYDRAULIC HOSE	1		11/16" X 1 370 MM (54") X 11/16"
32	19M7402	CAP SCREW	1		M10 X 25
33	R27218	FITTING PLUG	1		SWITCH PORT
34	R26448	O-RING	1		SWITCH PORT PLUG
35	R51031	FITTING	1		
36	R28782	O-RING	2		LOW BRAKE PRESSURE SWITCH
37	AT147893	VALVE	1		
38	AT150615	HYDRAULIC HOSE	1		
39	AT133379	ACCUMULATOR	1		



# 1L02

## HYDRAULIC RELEASED PARKING BRAKE, HOSE AND BRACKETS

TP33839



TP33839

# 1L03

PARKING - EMERGENCY BRAKES 11

CONTROL LINKAGE 1115

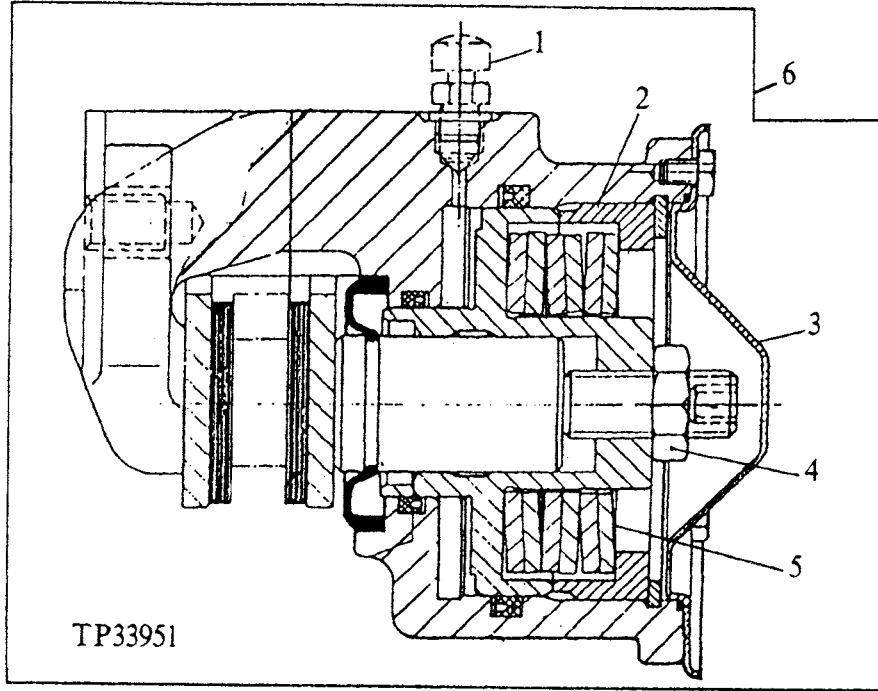
## HYDRAULIC RELEASED PARKING BRAKE, HOSE AND BRACKETS

KEY	PART NO.	PART NAME	QTY	SERIAL NO.	REMARKS
1	R28782	O-RING	2		
2	38H1159	ADAPTER	1		
3	T77814	O-RING	2		
4	AT102427	HYDRAULIC HOSE	1		9/16" X 1 075 MM (42-1/4") X 9/16"
5	38H1159	ADAPTER	1		45°
6	19M7786	SCREW	4		M10 X 30
7	T141698	CAP SCREW	2		
8	14M7179	NUT	2		M16
9	R100583	BRACKET	1		
10	AT143311	PAD	2		
11	T127001	BRAKE DISK	1		
12	11M7092	COTTER PIN	2		3.200 X 40 MM
13	19M7785	SCREW	6		M10 X 25
14	AT121876	SCREW	4		
15	AT135528	BRAKE	1		
	14M7158	NUT	1		M16

# 1L04

## PARK BRAKE CALIPER ASSEMBLY

TP33951



KEY	PART NO.	PART NAME	QTY	SERIAL NO.	REMARKS
1	T143573	BLEED VALVE	1		
2	T143571	RING	1		
3	T143569	COVER	1		
4	14M7260	NUT	1		M16
5	T143566	DISK SPRING	1		
6	AT135528	BRAKE	1		

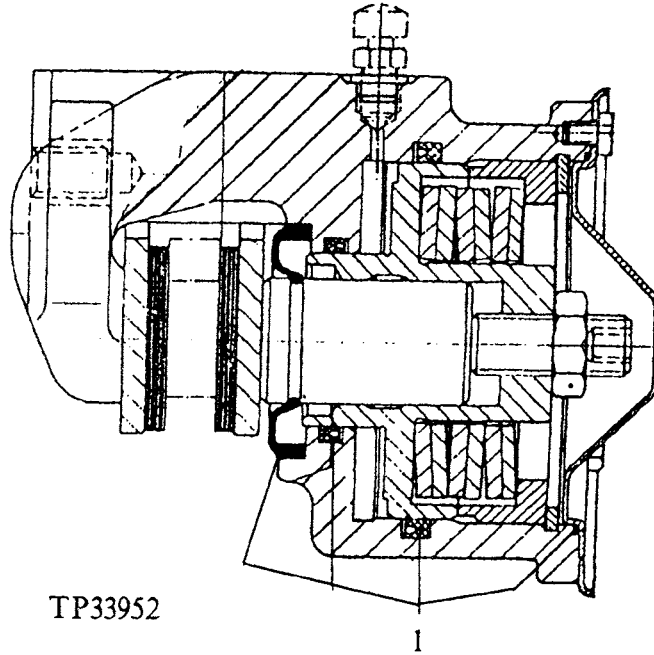
# 1L05

PARKING - EMERGENCY BRAKES 11

CONTROL LINKAGE 1115

## PARK BRAKE REPAIR KIT

TP33952



KEY	PART NO.	PART NAME	QTY	SERIAL NO.	REMARKS
1	AT151904	KIT	1		

**MEMORANDA**

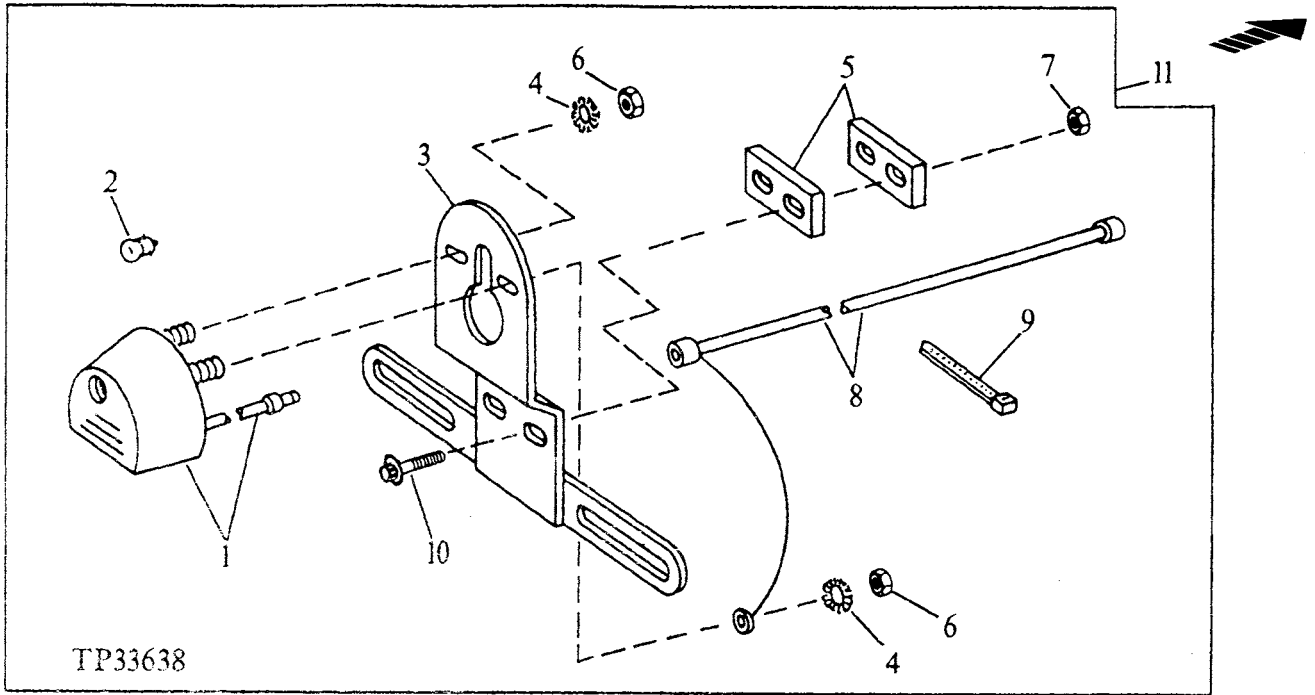
# 2B02

MISCELLANEOUS VEHICLE 13

LICENSE BRACKETS 1314

## LICENSE PLATE BRACKET

TP33638



TP33638

KEY	PART NO.	PART NAME	QTY	SERIAL NO.	REMARKS
1	AT34211	LAMP	1		
2	.....	BULB	1		(12-VOLT) (SUB AT34211)
3	AT34210	BRACKET	1		
4	24H1283	WASHER	2		7/32" X 1/2" X 0.049"
5	T41208	STRAP	2		
6	.....	NUT	2		(SUB AT34211)
7	14M7298	FLANGE NUT	2		M8
8	AT103326	WIRING LEAD	1		
9	R44302	TIE BAND	AP		
10	19M8291	SCREW	2		M8 X 35
11	AT159801	BRACKET	1		

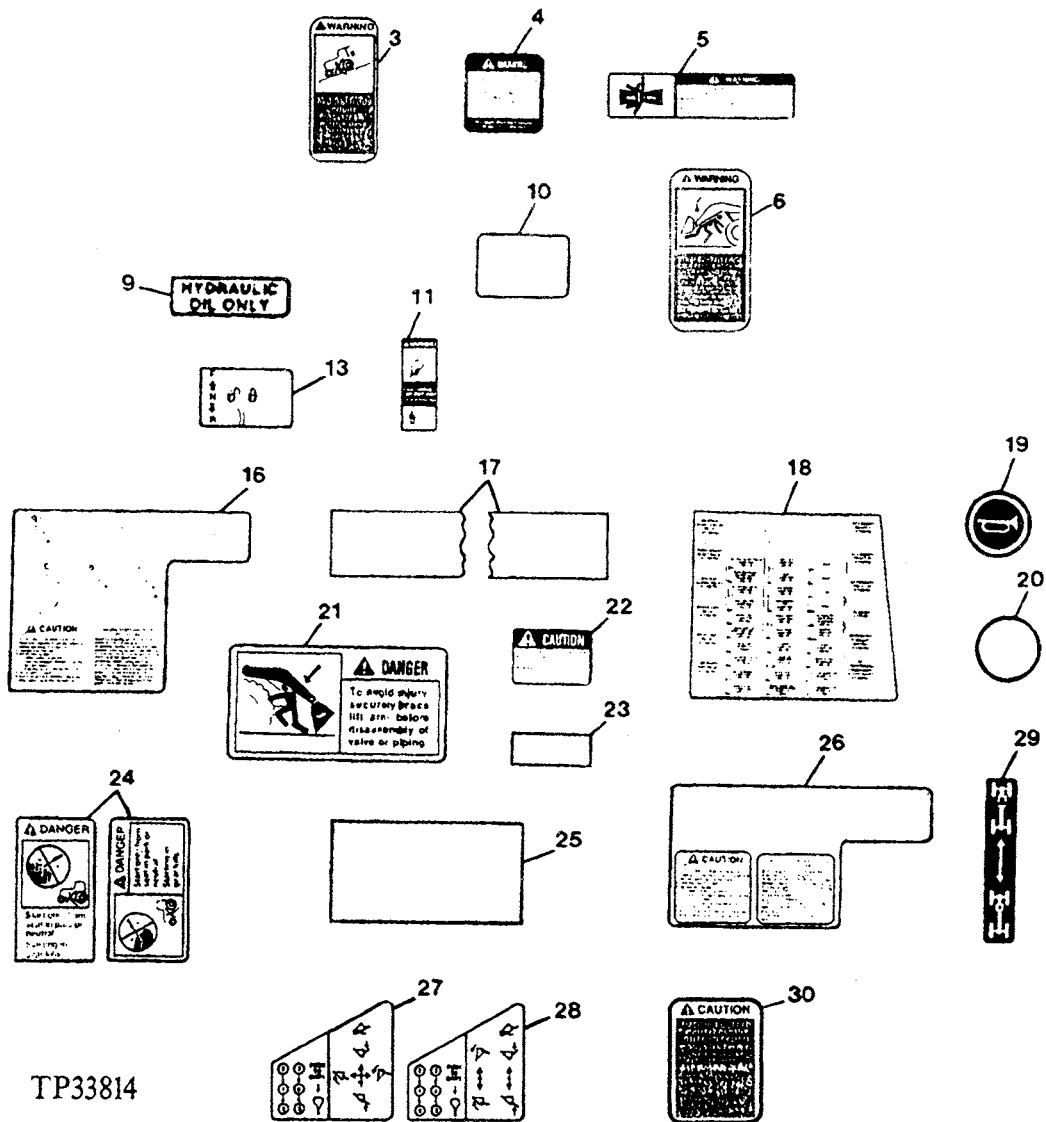
# 2B04

MISCELLANEOUS VEHICLE 13

VEHICLE FINISH AND TRIM 1320

## DECALS AND LABELS

TP33814



TP33814

# 2B05

MISCELLANEOUS VEHICLE 13

VEHICLE FINISH AND TRIM 1320

## DECALS AND LABELS

KEY	PART NO.	PART NAME	QTY	SERIAL NO.	REMARKS
3	T146435	LABEL	1		WARNING, ENGLISH
4	T146431	LABEL	2		ACCUMULATOR WARNING
	T126271	LABEL	2		STEERING ACCUMULATOR
5	T146436	LABEL	2		WARNING
6	T146174	LABEL	1		SAFETY (ARTICULATION WARNING)
9	T101942	LABEL	1		HYDRAULIC OIL
10	T143591	REFLECTOR	1		RED
11	T146097	LABEL	1		
13	T128379	LABEL	1		ELECTRIC SHIFT SWITCH
16	T146439	LABEL	1		SWITCHES, CAB
17	T143248	LABEL	1		WINDOW MULLION, CAB
18	T145734	LABEL	1		FUSEBLOCK
19	T29392	LABEL	1		HORN
20	T119535	LABEL	1		DOOR BUMPER
21	T146175	LABEL	1		DANGER
22	T146438	LABEL	1		CAUTION
23	H21259	MAT	1		OPERATOR'S DECK
24	T146102	LABEL	1		BYPASS START
25	T128278	LABEL	1		AIR CLEANER UNLOADER VALVE
26	T146441	LABEL	1		SWITCHES, CANOPY
27	T146659	LABEL	1		JOYSTICK
28	T146658	LABEL	1		2-LEVER
29	T145062	LABEL	1		AXLE DISCONNECT
30	T146443	LABEL	1		CAUTION, SECONDARY STEERING



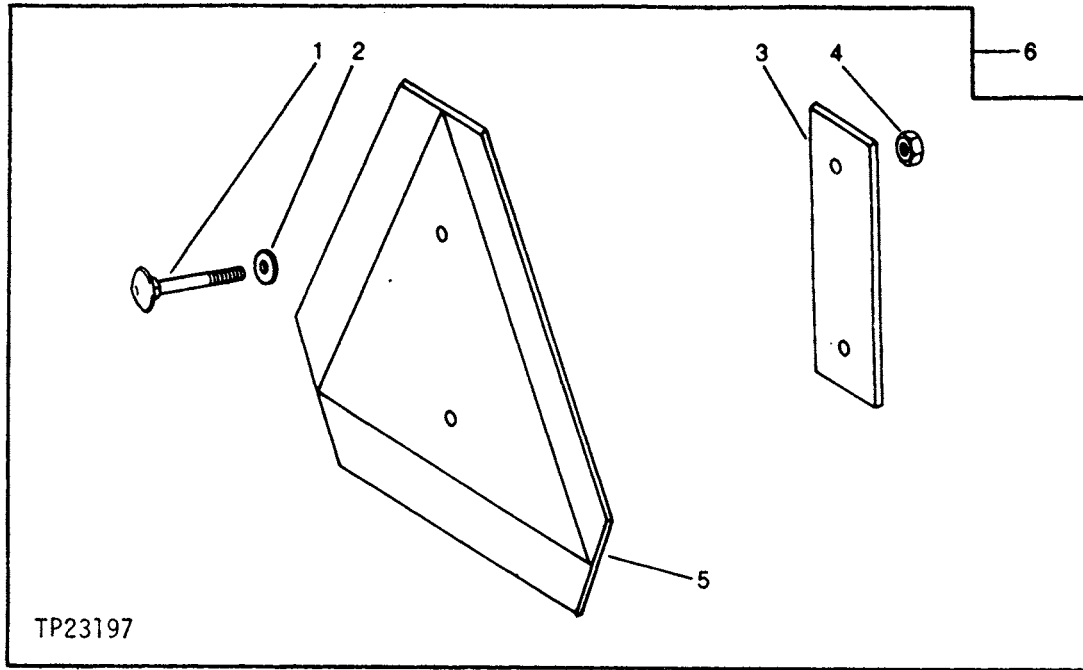
# 2B06

MISCELLANEOUS VEHICLE 13

VEHICLE FINISH AND TRIM 1320

## SLOW MOVING VEHICLE EMBLEM

TP23197



KEY	PART NO.	PART NAME	QTY	SERIAL NO.	REMARKS
1	19M7966	SCREW	2		M6 X 25
2	24M7088	WASHER	2		6.600 X 12 X 1.600 MM
3	H26743	STRAP	1		
4	14M7272	NUT	2		M6
5	TY2615	SMV EMBLEM	1		
6	<b>AT116032</b>	<b>SMV EMBLEM</b>	<b>1</b>		

# 2B07

MISCELLANEOUS VEHICLE 13

SHIPPING AND PACKAGING 1330

## AIR CONDITIONER O-RING REPAIR KIT (PARTS LISTED BELOW ARE NOT ILLUSTRATED)

KEY	PART NO.	PART NAME	QTY	SERIAL NO.	REMARKS
..	32240	O-RING	5		
..	B15646	O-RING	10		
..	P50883	RING	10		
..	P51212	O-RING	10		
..	R10093	O-RING	15		
..	R33259	O-RING	10		
..	R34812	O-RING	10		
..	R47235	O-RING	10		
..	AT66632	KIT	1		

# 2B08

MISCELLANEOUS VEHICLE 13

SHIPPING AND PACKAGING 1330

**LOCTITE SERVICE KIT  
(PARTS LISTED BELOW ARE NOT ILLUSTRATED)**

KEY	PART NO.	PART NAME	QTY	SERIAL NO.	REMARKS
..	TY6305	PRIMER	1		CLEANER
..	T43512	SEALANT	1		HYDRAULIC SEALANT AND THREAD LOCTITE
..	T43513	LOCK	1		STUD
..	T43514	GASKET	1		PLASTIC
..	T43515	ADHESIVE	1		
..	AT42386	KIT	1		(INCLUDES ALL PARTS ABOVE)

**SILICONE RUBBER ADHESIVE  
(PART LISTED BELOW IS NOT ILLUSTRATED)**

KEY	PART NO.	PART NAME	QTY	SERIAL NO.	REMARKS
..	TY15130	SEALANT	1		

---

**MEMORANDA**

---

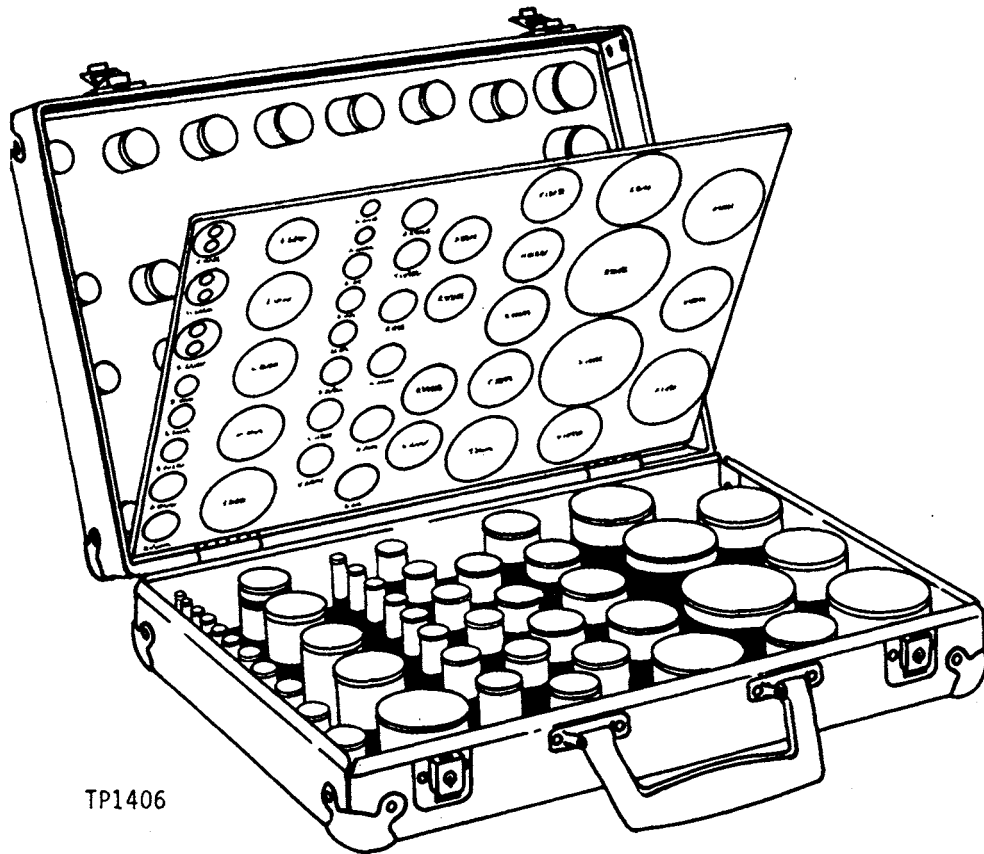
# 2B10

MISCELLANEOUS VEHICLE 13

GREASES, OIL, FUELS AND COOLANTS 1369

## O-RING KIT

TP1406



TP1406

# 2B11

MISCELLANEOUS VEHICLE 13

GREASES, OIL, FUELS AND COOLANTS 1369

## O-RING KIT-CONTINUED

KEY	PART NO.	PART NAME	QTY	SERIAL NO.	REMARKS
..	A3606R	O-RING	1		
..	A3917R	O-RING	1		
..	A4365R	O-RING	1		
..	A4730R	O-RING	1		
..	B2762R	O-RING	1		
..	B3690R	O-RING	1		
..	F1056R	O-RING	1		
..	F1870R	O-RING	1		
..	U12547	O-RING	1		
..	F3353R	O-RING	1		
..	H35244	RING	1		
..	T78313	O-RING	1		
..	M42377	O-RING	1		
..	N131838	O-RING	1		
..	P46051	O-RING	1		
..	P48403	O-RING	1		
..	P50631	O-RING	1		
..	R375R	O-RING	1		
..	R394R	O-RING	1		
..	R459R	O-RING	1		
..	R460R	O-RING	1		
..	R495R	O-RING	1		
..	R10093	O-RING	1		
..	R26286	O-RING	1		
..	R26287	O-RING	1		
..	R26375	O-RING	1		
..	R26448	O-RING	1		

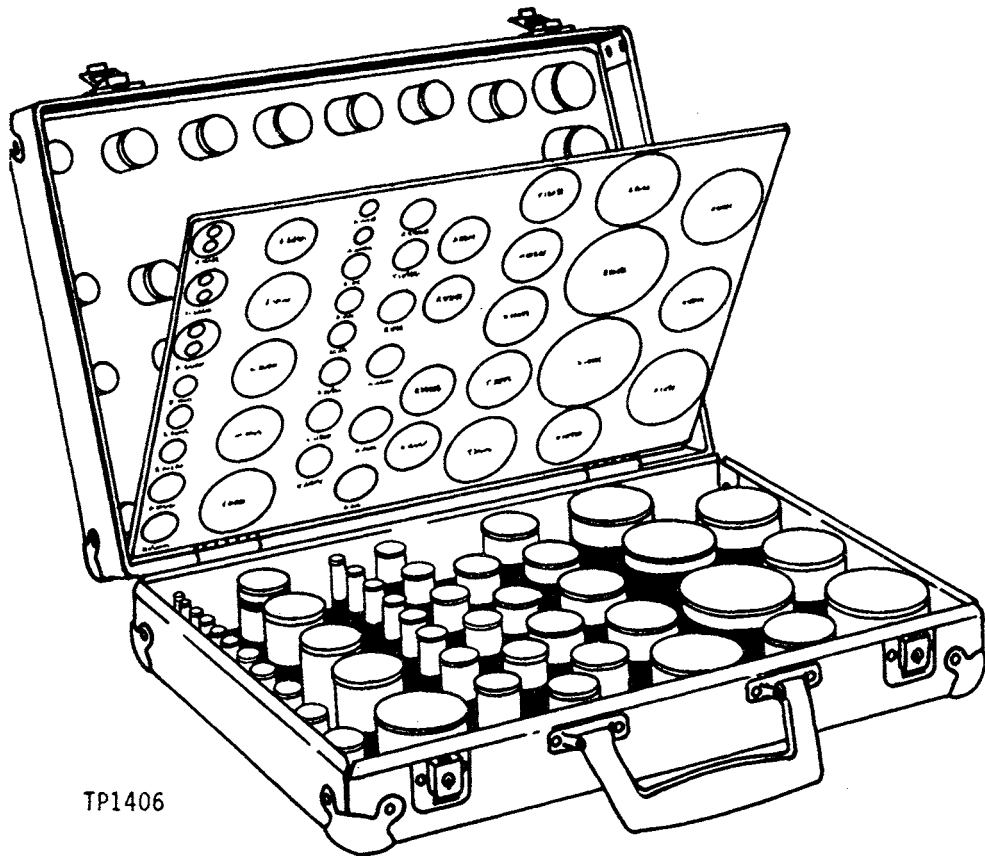
# 2B12

MISCELLANEOUS VEHICLE 13

GREASES, OIL, FUELS AND COOLANTS 1369

## O-RING KIT

TP1406



# 2B13

MISCELLANEOUS VEHICLE 13

GREASES, OIL, FUELS AND COOLANTS 1369

## O-RING KIT-CONTINUED

KEY	PART NO.	PART NAME	QTY	SERIAL NO.	REMARKS
..	R26773	O-RING	1		
..	R26863	O-RING	1		
..	R26906	O-RING	1		
..	R27166	O-RING	1		
..	R27928	O-RING	1		
..	R28776	O-RING	1		
..	R28782	O-RING	1		
..	R29463	O-RING	1		
..	R29936	O-RING	1		
..	R30903	O-RING	1		
..	R33259	O-RING	1		
..	R56461	O-RING	1		
..	R48638	O-RING	1		
..	R71732	O-RING	1		
..	R53543	O-RING	1		
..	R56463	O-RING	1		
..	R56751	O-RING	1		
..	R60332	O-RING	1		
..	R80632	O-RING	1		
..	T12275	O-RING	1		
..	T13119	O-RING	1		
..	T16752	O-RING	1		
..	T19687	O-RING	1		
..	R112857	O-RING	1		
..	T25335	O-RING	1		
..	T34248	O-RING	1		
..	U10289	O-RING	1		
..	U10746	O-RING	1		
..	U10776	O-RING	1		
..	U11326	O-RING	1		
..	U11343	O-RING	1		
..	U12037	O-RING	1		
..	U12198	O-RING	1		
..	U12331	O-RING	1		
..	U12547	O-RING	1		
..	U13639	O-RING	1		
..	U15415	O-RING	1		
..	U15973	O-RING	1		
..	U17409	O-RING	1		
..	U42111	O-RING	1		
..	AT130208	SEAL KIT	1		(CONTAINS FIVE OF EACH O-RING LISTED ABOVE)



# 2B16

MISCELLANEOUS VEHICLE 13

## FLAT FACE O-RING SEAL KIT (NOT ILLUSTRATED)

GREASES, OIL, FUELS AND COOLANTS 1369

KEY	PART NO.	PART NAME	QTY	SERIAL NO.	REMARKS
1	T77814	O-RING	1		(K) (SIZE -4) KIT O-RING QUANTITY 10
2	T77613	O-RING	1		(K) (SIZE -6) KIT O-RING QUANTITY 12
3	T77857	O-RING	1		(K) (SIZE -8) KIT O-RING QUANTITY 12
4	T77932	O-RING	1		(K) (SIZE -10) KIT O-RING QUANTITY 12
5	T77858	O-RING	1		(K) (SIZE -12) KIT O-RING QUANTITY 12
6	T76938	O-RING	1		(K) (SIZE -16) KIT O-RING QUANTITY 12
7	T78612	O-RING	1		(K) (SIZE -20) KIT O-RING QUANTITY 5
8	T78784	O-RING	1		(K) (SIZE -24) KIT O-RING QUANTITY 5

(K) AT85197 O-RING KIT

# 2B17

MISCELLANEOUS VEHICLE 13

GREASES, OIL, FUELS AND COOLANTS 1369

## DUST CAP WITH COVER KIT (NOT ILLUSTRATED)

KEY	PART NO.	PART NAME	QTY	ENGINE SERIAL NO.	REMARKS
	AR21969	KIT	1		

**MEMORANDA**

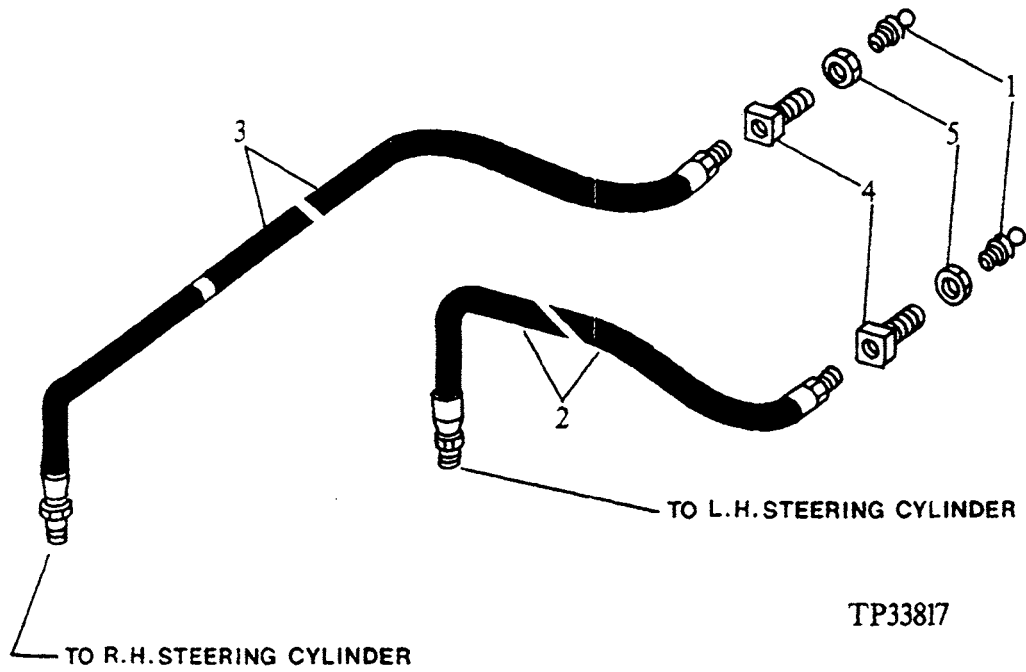
# 2B20

MISCELLANEOUS VEHICLE 13

LUBRICATION SYSTEMS 1370

## STEERING CYLINDER HEAD END LUBRICATION SYSTEM

TP33817



TP33817

KEY	PART NO.	PART NAME	QTY	SERIAL NO.	REMARKS
1	JD7797	LUBRICATION FITTING	2		
2	AT103360	HYDRAULIC HOSE	1		
3	AT103355	HYDRAULIC HOSE	1		
4	R36311	FITTING	2		
5	E12379	NUT	2		

---

**MEMORANDA**

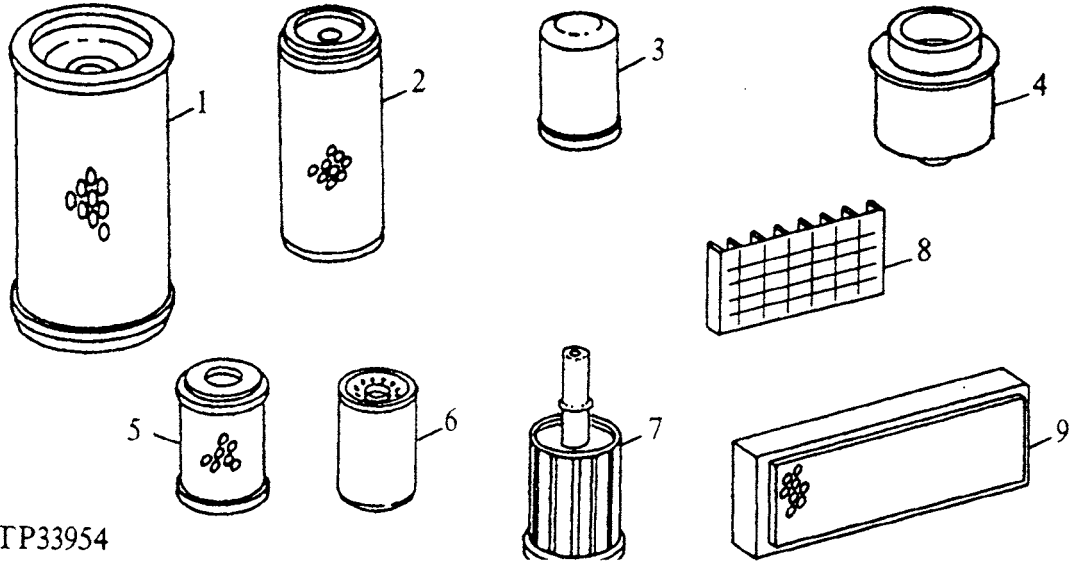
# 2B21

MISCELLANEOUS VEHICLE 13

MACHINE FILTERS 1399

## MACHINE FILTERS

TP33954



TP33954

KEY	PART NO.	PART NAME	QTY	SERIAL NO.	REMARKS
1	AR80652	FILTER ELEMENT	1		PRIMARY AIR
2	AR80653	FILTER ELEMENT	1		SECONDARY AIR
3	RE46380	OIL FILTER	1		ENGINE
4	T19044	OIL FILTER	1		RESERVOIR
4	RE53729	FILTER ELEMENT	1		FUEL (PRIMARY)
	RE52987	KIT	1		FUEL FILTER ELEMENT (SECONDARY)
5	AT140030	OIL FILTER	1		TRANSMISSION
6	AT140315	FILTER ELEMENT	1		HYDRAULIC RETURN
7	AT147017	FILTER	1		SUCTION
8	T141760	AIR FILTER	1		AIR CONDITIONING
9	AT103629	AIR FILTER	1		FRESH AIR

---

**MEMORANDA**

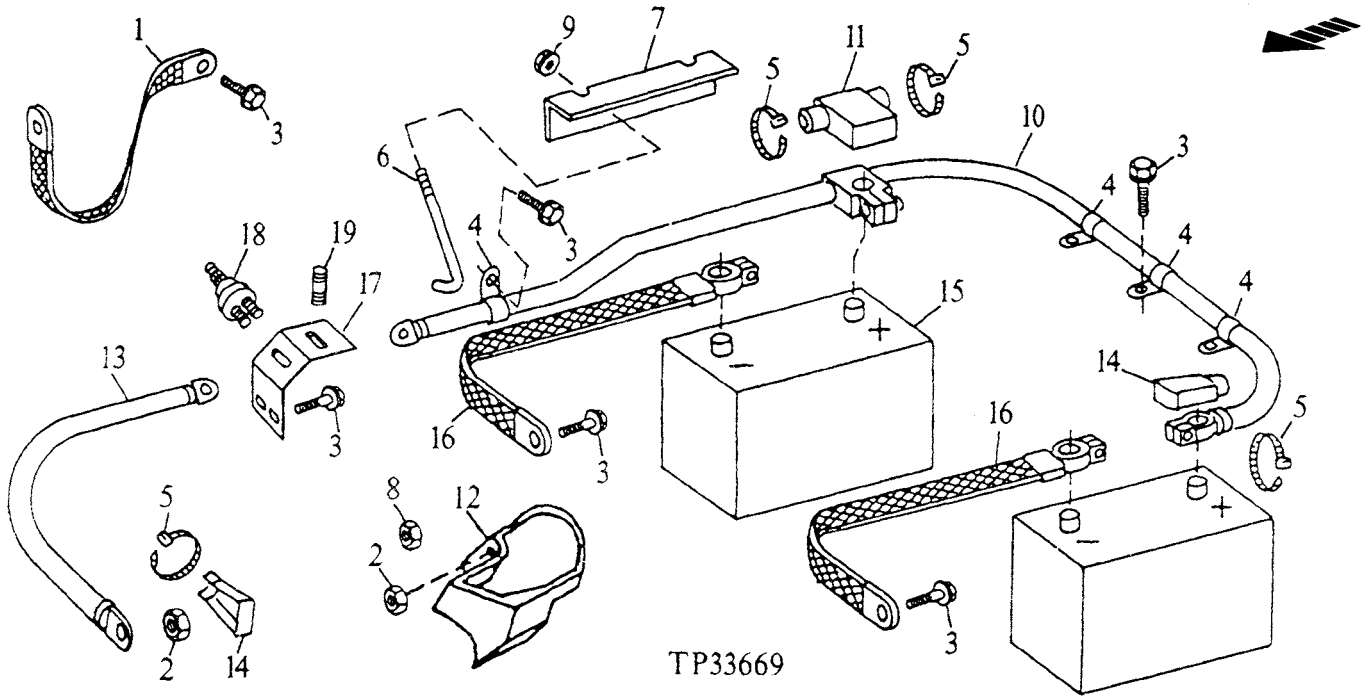




# 2C05

## BATTERY INSTALLATION (DUAL BATTERY)

TP33669



TP33669

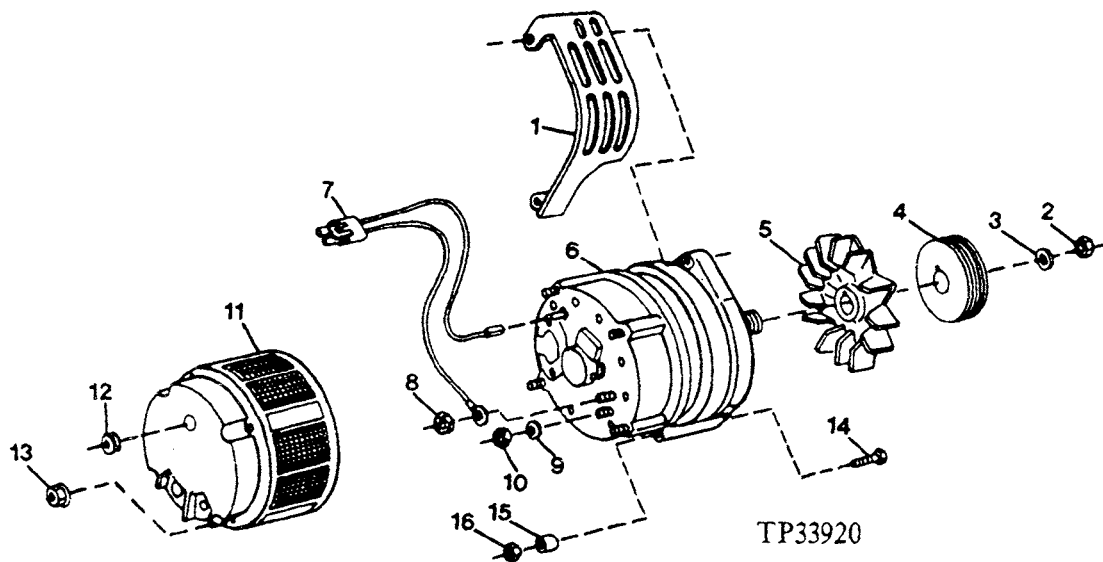
KEY	PART NO.	PART NAME	QTY	SERIAL NO.	REMARKS
1	AT47069	CABLE	1		
2	14H1076	NUT	2		3/8"
3	19M7784	SCREW	9		M10 X 20
4	T102934	CLAMP	5		
5	R44302	TIE BAND	AR		
6	T79471	ROD	4		
7	T79470	ANGLE	2		
8	14H631	NUT	1		0.190", (STARTER MOTOR SOLENOID TERMINAL)
9	14M7396	LOCK NUT	4		M8
10	AT117119	CABLE	1		
11	T107116	COVER	1		
12	R99303	SHIELD	1		(SOLENOID)
13	AT117121	CABLE	1		
14	T107117	COVER	2		
15	TY6128	BATTERY	2		
16	AT132773	GROUND CABLE	2		
17	T120619	BRACKET	1		
18	AT41188	SWITCH	1		(BATTERY DISCONNECT)
19	AT113412	TERMINAL	1		

**MEMORANDA**

# 2C06

## ALTERNATOR, REGULATOR AND CHARGING SYSTEM WIRING 1672 ALTERNATOR, PULLEY, SHIELD AND SCREEN (95 AMPS)

TP33920



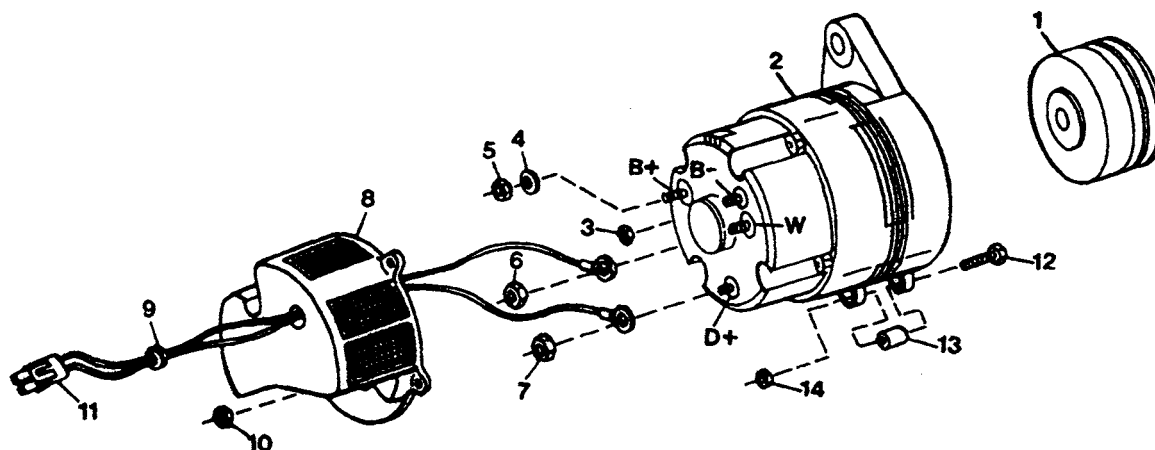
TP33920

KEY	PART NO.	PART NAME	QTY	SERIAL NO.	REMARKS
1	R56012	SHIELD	1		
2	14M7158	NUT	1		M16
3	T10745	WASHER	1		
4	T123088	PULLEY	1		
5	L33993	FAN	1		
6	TY6750	ALTERNATOR	1		REMANUFACTURED
7	AT160701	WIRING HARNESS	1		
8	14M7375	NUT	1		M5, EXCITATION TERMINAL
9	12H291	LOCK WASHER	1		5/16", OUTPUT TERMINAL
10	14M7298	FLANGE NUT	1		M8, OUTPUT TERMINAL
11	AH138291	SCREEN	1		
12	R27180	GROMMET	1		
13	14M7375	NUT	1		M5
14	19M8166	CAP SCREW	1		M10 X 110
15	28H1884	SPACER	1		0.493" X 0.675" X 1/2"
16	14M7296	FLANGE NUT	1		M10

# 2C07

## ALTERNATOR, REGULATOR AND CHARGING SYSTEM WIRING 1672 ALTERNATOR, PULLEY AND SCREEN (135 AMP)

TP33921



TP33921

KEY	PART NO.	PART NAME	QTY	SERIAL NO.	REMARKS
1	T57251	SHEAVE	1		
2	RE36268	ALTERNATOR	1		
3	14M7303	FLANGE NUT	1		M6
4	12H325	LOCK WASHER	1		7/16"
5	14H849	NUT	1		7/16"
6	14M7375	NUT	1		M5
7	14M7100	NUT	1		M4
8	AT160704	SCREEN	1		
9	R27180	GROMMET	1		
10	14M7375	NUT	4		M5
11	AT160703	WIRING HARNESS	1		
12	19M7307	CAP SCREW	1		M12 X 150
13	28H1532	SPACER	1		0.493" X 0.675" X 2"
14	14M7299	FLANGE NUT	1		M12

THIS PARTS LISTING IS CONTINUED

---

ALTERNATOR, REGULATOR AND CHARGING SYSTEM WIRING 1672  
**MEMORANDA**

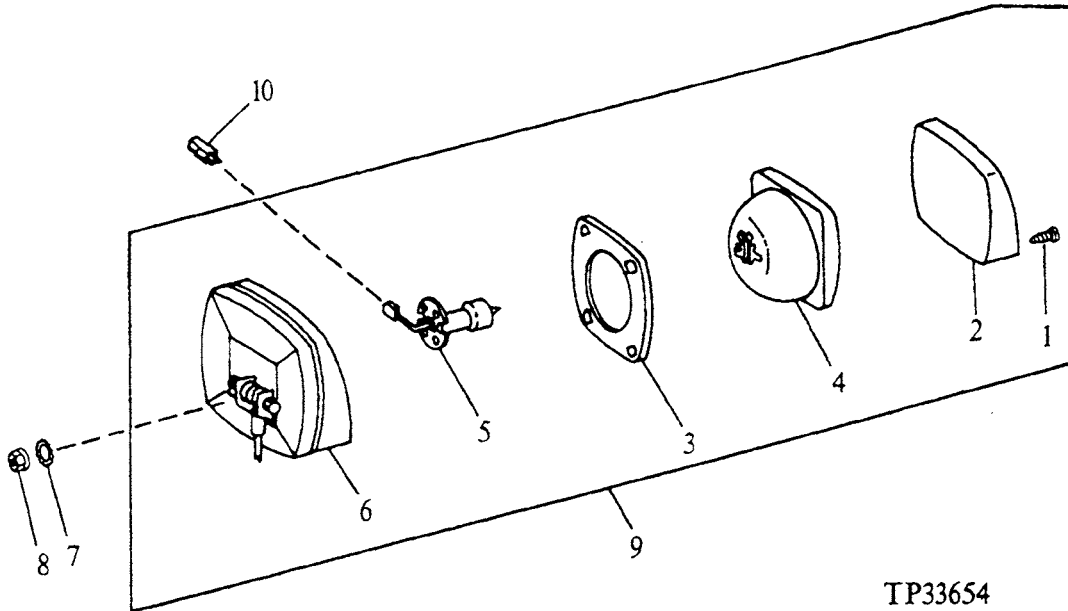
# 2C08

ELECTRICAL SYSTEM 16

LIGHTING SYSTEM 1673

## FRONT TRACTOR LAMP

TP33654



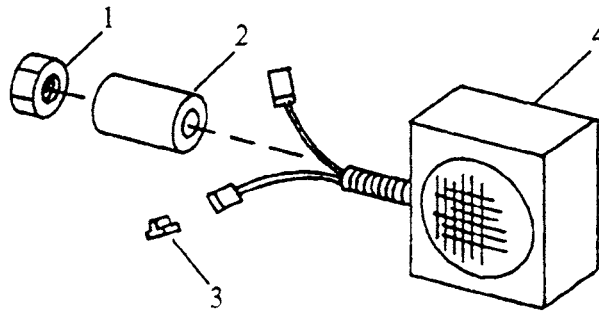
TP33654

KEY	PART NO.	PART NAME	QTY	SERIAL NO.	REMARKS
1	T80394	SCREW	4		
2	.....	BEZEL	1		(SUB AT135486)
3	T80393	GASKET	1		
4	.....	LENS	1		(SUB AT135486)
5	AT130104	BULB	1		HALOGEN (12-VOLT)
6	.....	HOUSING	1		(SUB AT135486)
7	12H292	LOCK WASHER	1		1/2"
8	14M7299	FLANGE NUT	1		M12
9	AT135486	LAMP	1		
10	T28585	TERMINAL	1		

# 2C09

## FRONT WARNING AND TURN SIGNAL LIGHT (RIGHT SIDE ILLUSTRATED)

TP33655



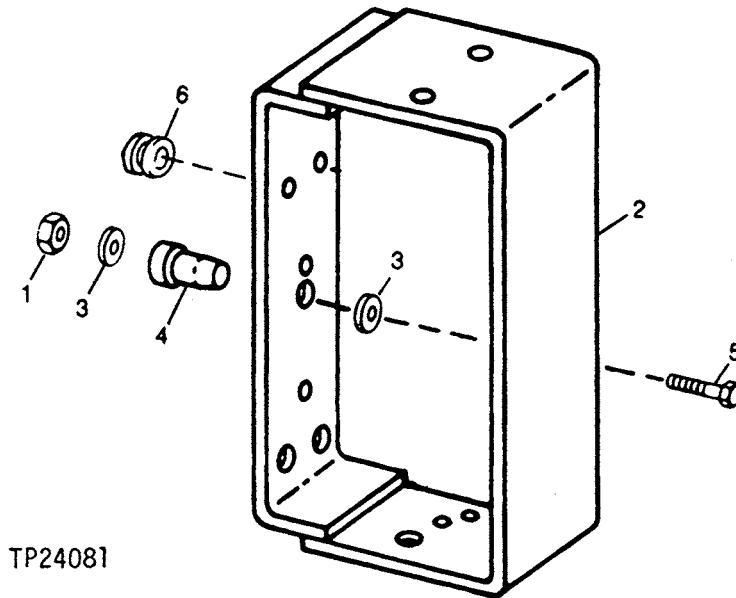
TP33655

KEY	PART NO.	PART NAME	QTY	SERIAL NO.	REMARKS
1	14H856	NUT	1		1/2"
2	28H2490	BUSHING	1		
3	T28586	CONNECTOR	1		
4	AT103250	LAMP	1		(12-VOLT)
	AD2062R	BULB	1		
	T108398	LENS	2		
	T127161	GASKET	2		

# 2C10

## FRONT LIGHT GUARDS

TP24081



TP24081

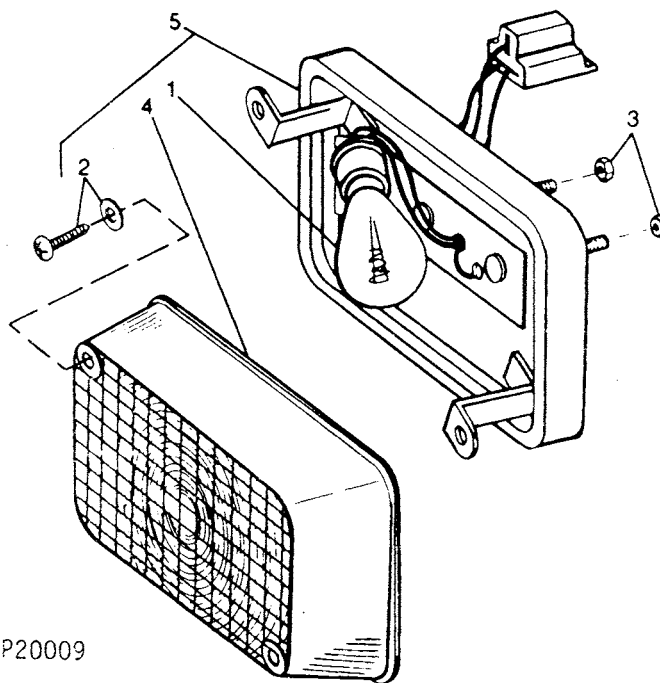
KEY	PART NO.	PART NAME	QTY	SERIAL NO.	REMARKS
1	N10215	LOCK NUT	3		
2	AT103105	BRACKET	1		
3	24M7296	WASHER	6		10.500 X 30 X 2.500 MM
4	AT116162	RUBBER MOUNT	3		
5	19H3065	CAP SCREW	3		3/8" X 2"
6	T70154	GROMMET	1		



# 2C11

## STOP AND TAIL LAMP

TP20009



TP20009

KEY	PART NO	PART NAME	QTY	SERIAL NO.	REMARKS
1	AR48041	BULB	1		
2	AT75345	KIT	1		(CONTAINS TWO SCREWS AND TWO WASHERS)
3	14M7303	FLANGE NUT	2		M6
4	T104011	LENS	1		
5	AT85786	TAIL LAMP	1		

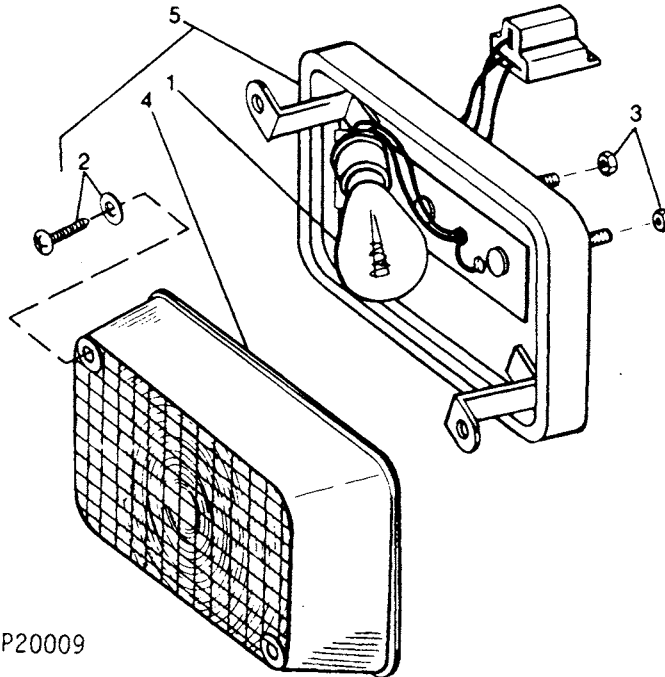
# 2C12

ELECTRICAL SYSTEM 16

LIGHTING SYSTEM 1673

## REAR TURN SIGNAL AND WARNING LAMP

TP20009



TP20009

KEY	PART NO.	PART NAME	QTY	SERIAL NO.	REMARKS
1	AD2062R	BULB	1		
2	AT75345	KIT	AR		(CONTAINS TWO SCREWS AND TWO WASHERS)
3	14M7303	FLANGE NUT	2		M6
4	T104010	LENS	1		
5	AT85785	LAMP	1		

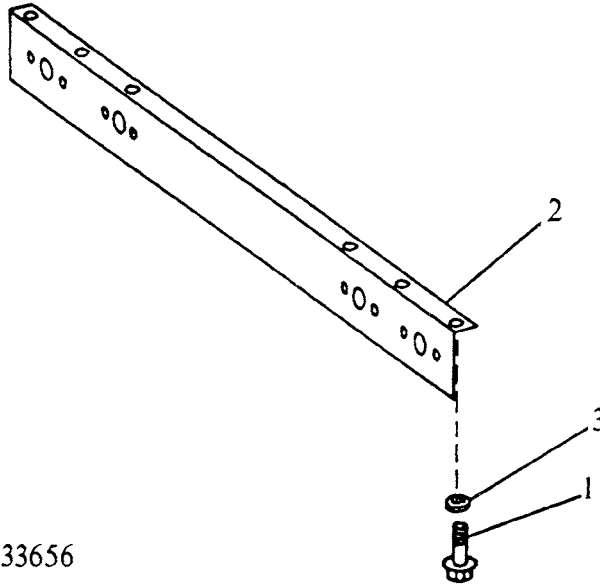
# 2C13

ELECTRICAL SYSTEM 16

LIGHTING SYSTEM 1673

## TAIL LIGHT AND STOP LIGHT BRACKET

TP33656



TP33656

KEY	PART NO.	PART NAME	QTY	SERIAL NO.	REMARKS
1	19M7784	SCREW	4		M10 X 20
2	T101505	PLATE	1		
3	24M7240	WASHER	4		13 X 25 X 3 MM

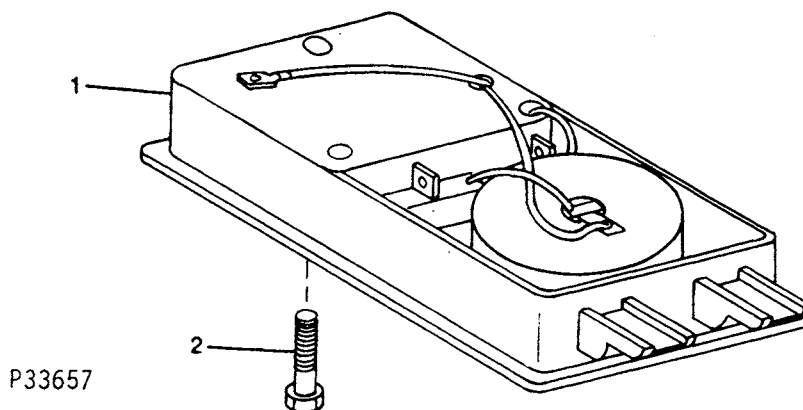
# 2C14

ELECTRICAL SYSTEM 16

LIGHTING SYSTEM 1673

## DOME LIGHT

TP33657



KEY	PART NO.	PART NAME	QTY	SERIAL NO.	REMARKS
1	AT151231	TROUBLE LIGHT	1		
	AT150228	BULB	1		(DOME LIGHT EYE BALL)
	AT151255	TROUBLE LIGHT	1		(DOME LIGHT SQUARE AREA)
2	21M7278	SCREW	2		M5 X 10

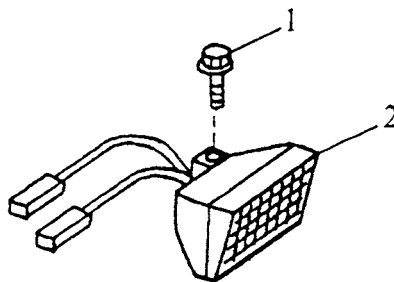
# 2C15

ELECTRICAL SYSTEM 16

LIGHTING SYSTEM 1673

## FRONT AND REAR WORK LAMP

TP33658



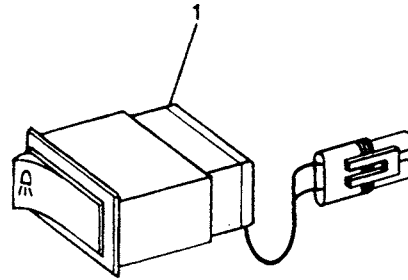
TP33658

KEY	PART NO.	PART NAME	QTY	SERIAL NO.	REMARKS
1	19M7787	SCREW	1		M12 X 20
2	AT151126	LAMP	1		
	AT130104	BULB	1		

# 2C16

## WORK LIGHT SWITCH

TP33660



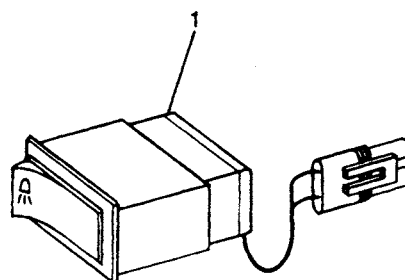
TP33660

KEY	PART NO.	PART NAME	QTY	SERIAL NO.	REMARKS
1	AT150345	SWITCH	1		

# 2C17

## DRIVE LIGHT SWITCH

TP33660



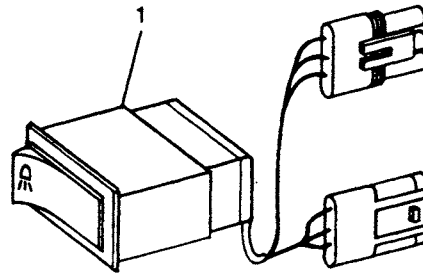
TP33660

KEY	PART NO.	PART NAME	QTY	SERIAL NO.	REMARKS
1	AT150346	SWITCH	1		

# 2C18

## TURN SIGNAL SWITCH

TP33661



TP33661

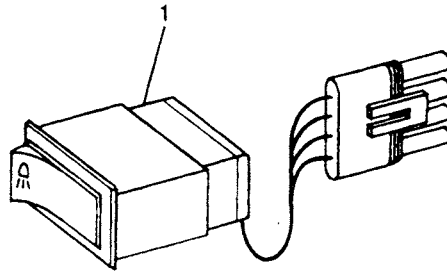
KEY	PART NO.	PART NAME	QTY	SERIAL NO.	REMARKS
1	AT157162	SWITCH	1		



# 2C19

## FLASHER SWITCH (4-WAY FLASHER SWITCH)

TP33662



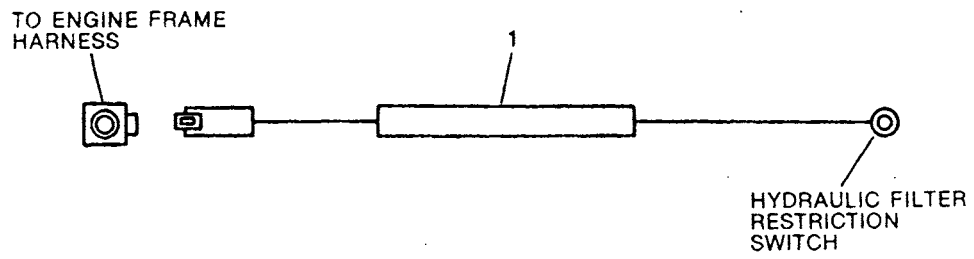
TP33662

KEY	PART NO.	PART NAME	QTY	SERIAL NO.	REMARKS
1	AT150347	SWITCH	1		
2	T29417	BRACKET	1		
3	21H1372	SCREW	1		NO. 5 X 3/8"

# 2C20

## HYDRAULIC FILTER LEAD

TP20665



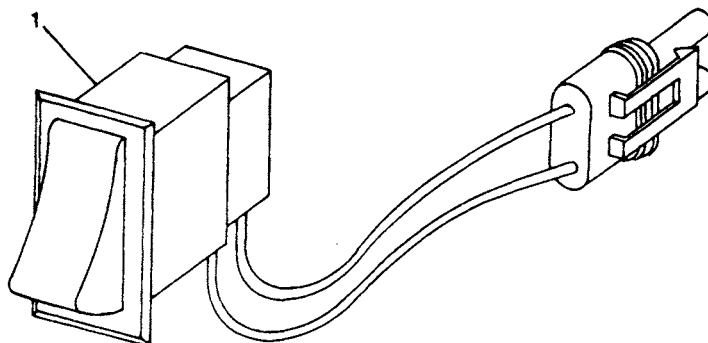
TP20665

KEY	PART NO.	PART NAME	QTY	SERIAL NO.	REMARKS
1	AT102464	WIRING LEAD	1		

# 2C21

## AIR CONDITIONING SHUTOFF SWITCH

TP33746



TP33746

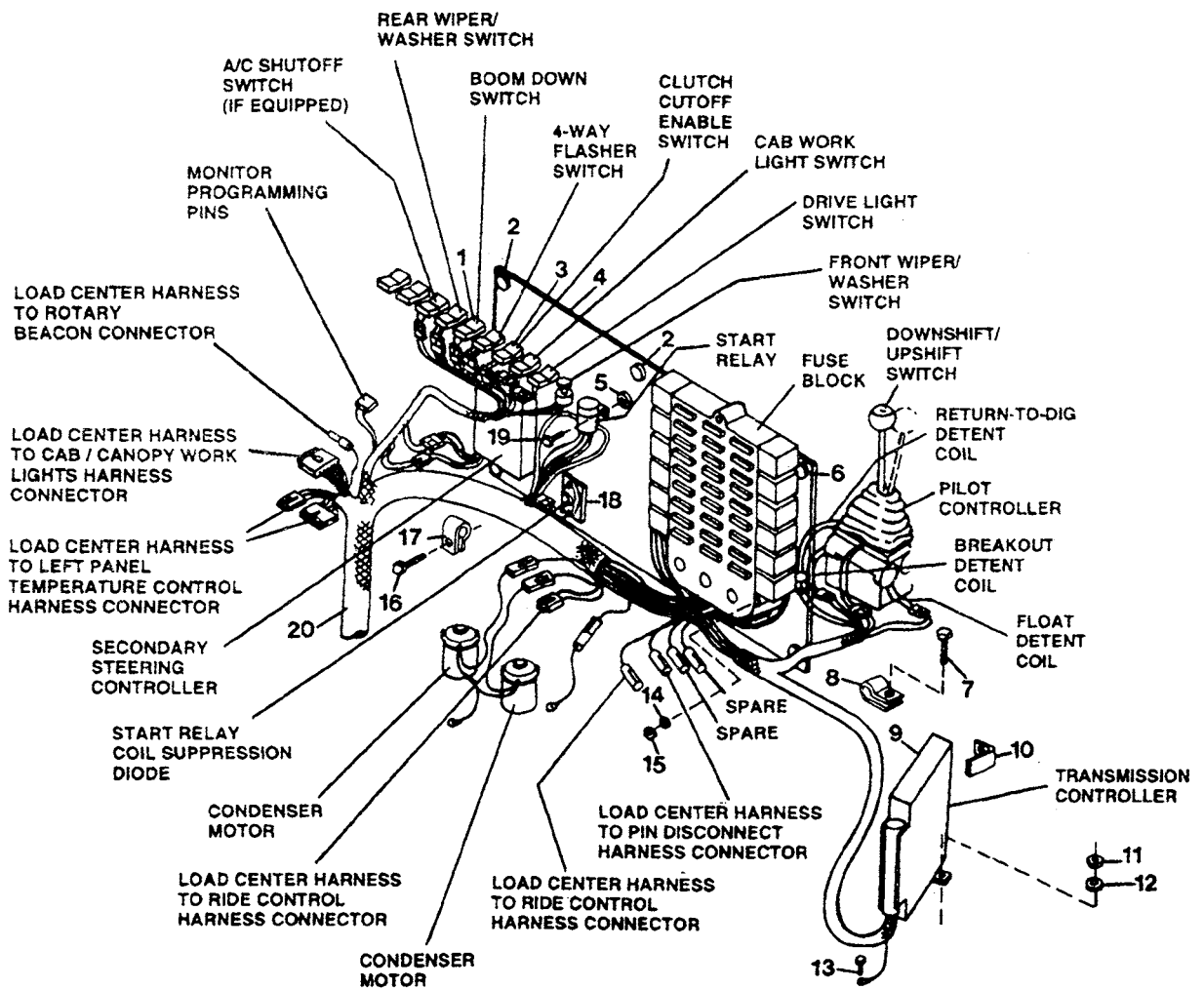
KEY	PART NO.	PART NAME	QTY	SERIAL NO.	REMARKS
1	AT151927	SWITCH	1		

**MEMORANDA**

# 2C22

## LOAD CENTER COMPARTMENT

TP33943



TP33943

# 2C23

ELECTRICAL SYSTEM 16

WIRING HARNESS AND SWITCHES 1674

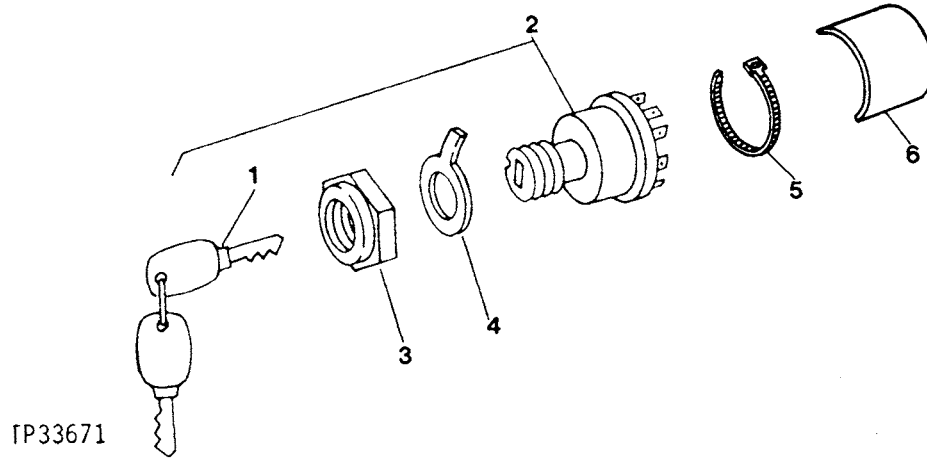
## LOAD CENTER COMPARTMENT

KEY	PART NO.	PART NAME	QTY	SERIAL NO.	REMARKS
1	AT150343	SWITCH	1		BOOM DOWN
2	19M7783	SCREW	3		M10 X 16
	24M7239	WASHER	3		10.700 X 21 X 2.500 MM
3	AT150348	SWITCH	1		CLUTCH CUTOFF
4	AT146734	PLATE	1		
5	T103238	NUT	4		
6	14M7303	FLANGE NUT	2		M6
7	19M7784	SCREW	1		M10 X 20
8	T74416	CLAMP	1		
9	AT158190	CONTROL CONSOLE	1		
10	T145035	BRACKET	1		
11	14M7360	LOCK NUT	3		M5
12	24M7138	WASHER	3		5.300 X 15 X 1.200 MM
13	19M7865	SCREW	1		M8 X 16
14	24M7138	WASHER	3		5.300 X 15 X 1.200 MM
15	14M7360	LOCK NUT	3		M5
16	19M7784	SCREW	2		M10 X 20
17	AH77714	CLIP	2		
18	AT157679	DIODE	1		
19	21M7022	SCREW	4		M5 X 20
20	RE15428	TIMER	1		SECONDARY STEERING
21	AT149891	WIRING HARNESS	1		
	AT149885	POWER SUPPLY	1		LOAD CENTER ASSEMBLY, (INCLUDES: PLATE, HARNESS, RELAYS, FLASHER, DIODES, CIRCUIT BREAKERS, FUSES AND MISCELLANEOUS HARDWARE)

# 2C24

## KEY SWITCH

TP33671



KEY	PART NO.	PART NAME	QTY	SERIAL NO.	REMARKS
1	AT162676	KEY	2		
2	AT145931	SWITCH	1		
3	R44342	NUT	1		
4	R52725	CONNECTOR	1		
5	H77698	TIE BAND	1		(USE WITH CANOPY)
6	T144027	DEFLECTOR	1		(USE WITH CANOPY)

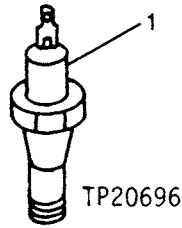
# 2C25

ELECTRICAL SYSTEM 16

WIRING HARNESS AND SWITCHES 1674

## ENGINE OIL PRESSURE SWITCH

TP20696



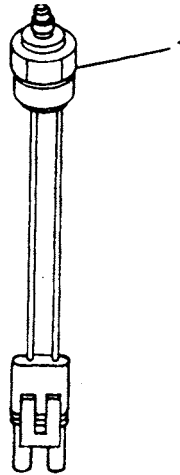
KEY	PART NO.	PART NAME	QTY	SERIAL NO.	REMARKS
1	AT85174	TOUCH SWITCH	1		



# 2D01

## TRANSMISSION OIL PRESSURE SWITCH

TP33670



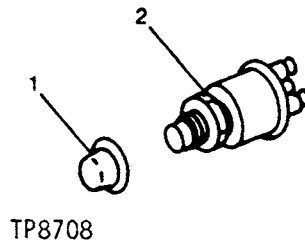
TP33670

KEY	PART NO.	PART NAME	QTY	SERIAL NO.	REMARKS
1	AT159811	SWITCH	1		

# 2D02

## HORN SWITCH

TP8708



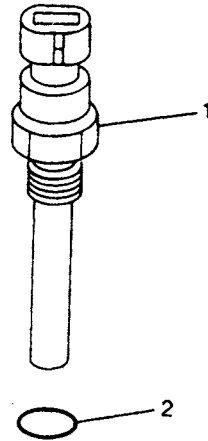
KEY	PART NO.	PART NAME	QTY	SERIAL NO.	REMARKS
1	T55501	CAP	1		
2	AT25258	SWITCH	1		

# 2D03

## ENGINE COOLANT TEMPERATURE SENDER

TP33683

TP33683

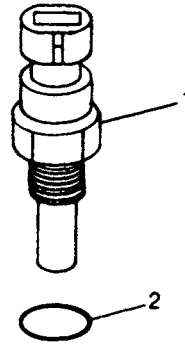


KEY	PART NO.	PART NAME	QTY	ENGINE SERIAL NO.	REMARKS
1	RE48073	SENSOR	1		
2	R26286	O-RING	1		

# 2D04

## TRANSMISSION OIL TEMPERATURE SENDER

TP33681



TP33681

KEY	PART NO.	PART NAME	QTY	SERIAL NO.	REMARKS
1	RE52722	SENSOR	1		
2	R26448	O-RING	1		

**MEMORANDA**

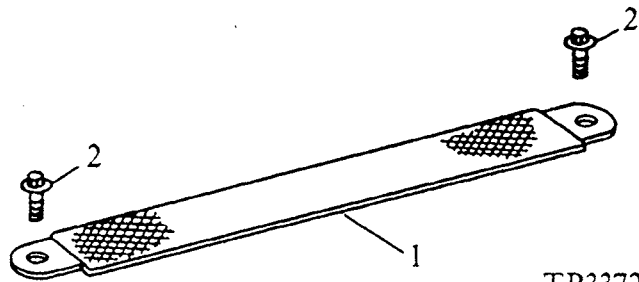
# 2D05

ELECTRICAL SYSTEM 16

## CAB GROUND STRAP

WIRING HARNESS AND SWITCHES 1674

TP33723



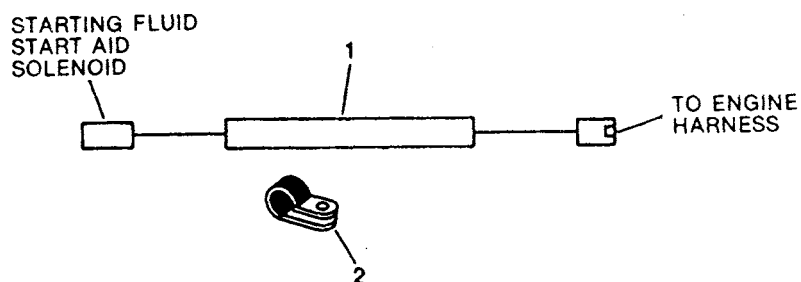
TP33723

KEY	PART NO.	PART NAME	QTY	SERIAL NO.	REMARKS
1	AP22660	GROUND CABLE	1		
2	19M7784	SCREW	2		M10 X 20

# 2D06

## START FLUID START AID WIRE LEAD

TP20666



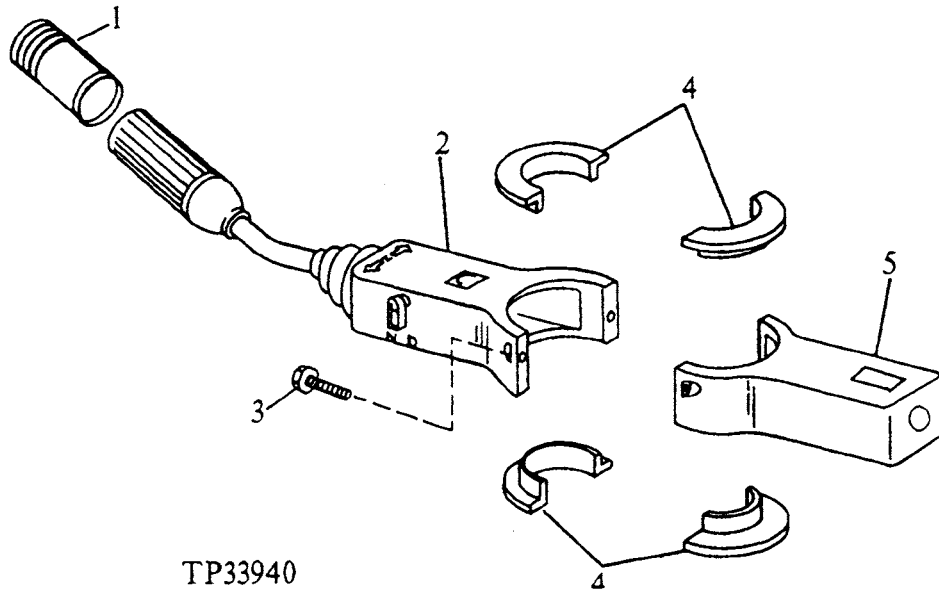
TP20666

KEY	PART NO.	PART NAME	QTY	SERIAL NO.	REMARKS
1	AT161185	WIRING LEAD	1		
2	T74410	CLAMP	1		

# 2D07

## SHIFT SELECTOR, HORN AND TURN SIGNAL SWITCHES

TP33940



TP33940

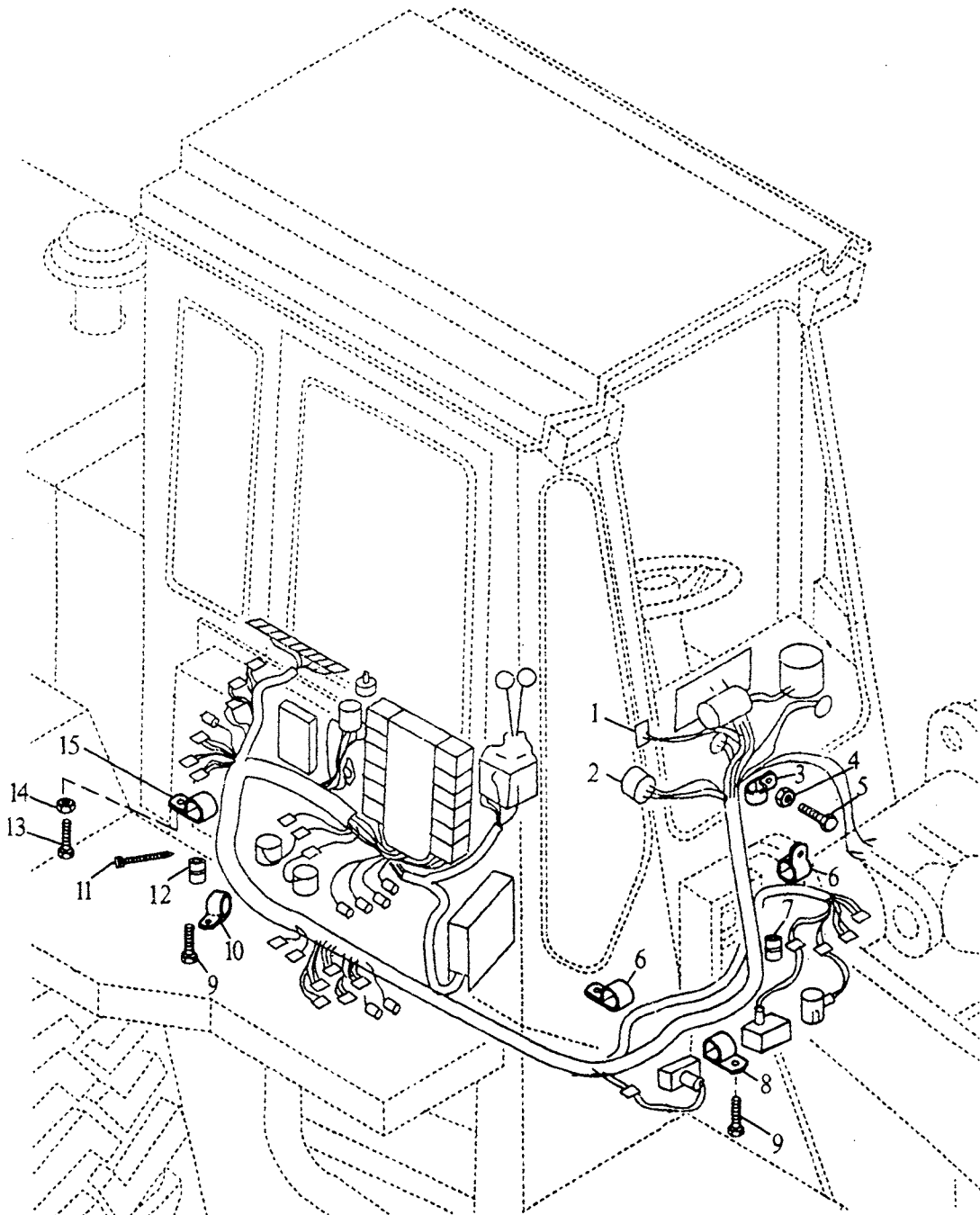
KEY	PART NO.	PART NAME	QTY	SERIAL NO.	REMARKS
1	T143445	GRIP	1		
2	AT157678	SWITCH	1		
3	19M8146	SCREW	2		M5 X 16
4	T138112	SHIM	4		
5	AT157637	SUPPORT	1		



# 2D08

## PARK BRAKE SWITCH, KEY SWITCH AND CLAMPING

TP33942



TP33942

# 2D09

ELECTRICAL SYSTEM 16

## PARK BRAKE SWITCH, KEY SWITCH AND CLAMPING

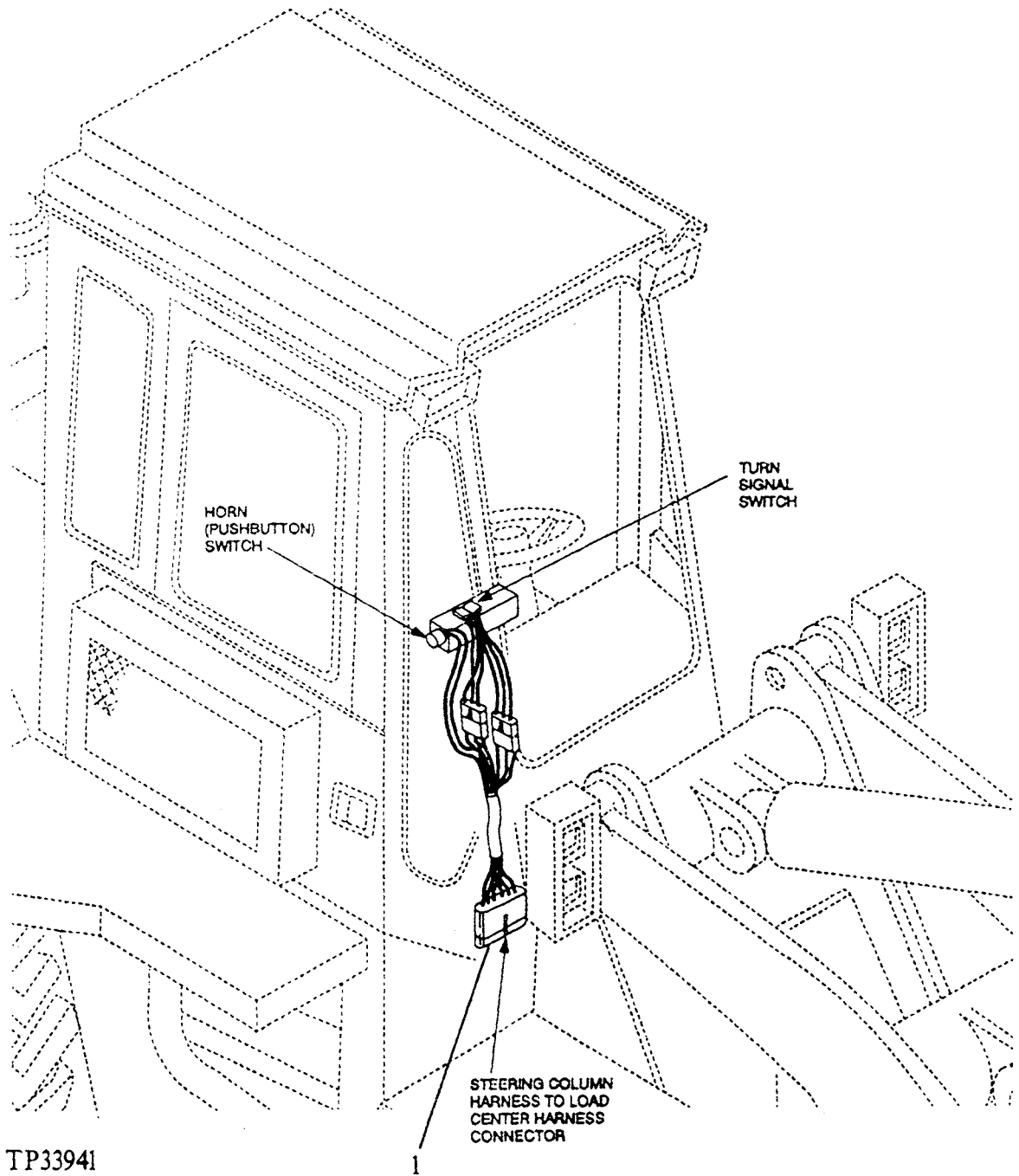
WIRING HARNESS AND SWITCHES 1674

KEY	PART NO.	PART NAME	QTY	SERIAL NO.	REMARKS
1	AT151926	SWITCH	1		
2	AT145931	SWITCH	1		
	AT162676	KEY	1		(NOT ILLUSTRATED)
	R44342	NUT	1		(KEYSWITCH TO FRONT CONSOLE)
	R52725	CONNECTOR	1		(KEYSWITCH ON FRONT CONSOLE)
3	T102934	CLAMP	1		
4	24M7239	WASHER	1		10.700 X 21 X 2.500 MM
5	19M7783	SCREW	1		M10 X 16
6	T74416	CLAMP	2		
7	T143596	GROMMET	1		
8	T120536	CLAMP	4		
9	19M7783	SCREW	5		M10 X 16
10	AH77714	CLIP	1		
11	H77698	TIE BAND	3		
12	T143597	GROMMET	3		
13	19M7775	SCREW	1		M6 X 16
14	24M7238	WASHER	1		8.700 X 17 X 2 MM
15	T102934	CLAMP	1		

# 2D10

## STEERING COLUMN HARNESS

TP3394\*



TP33941

# 2D11

ELECTRICAL SYSTEM 16

## STEERING COLUMN HARNESS

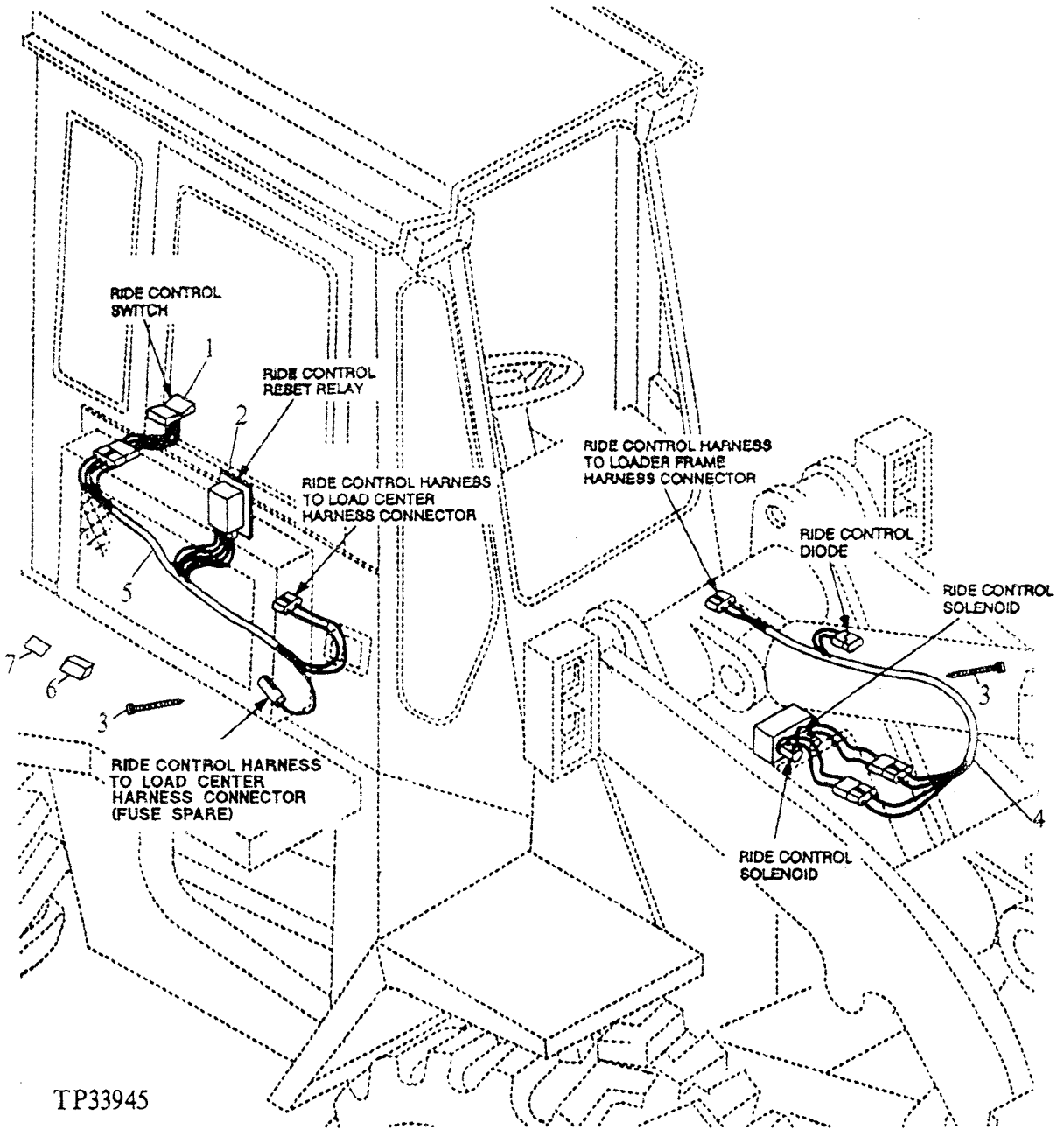
WIRING HARNESS AND SWITCHES 1674

KEY	PART NO.	PART NAME	QTY	SERIAL NO.	REMARKS
1	AT156697	WIRING HARNESS	1		

# 2D12

## RIDE CONTROL HARNESS

TP33945



# 2D13

ELECTRICAL SYSTEM 16

WIRING HARNESS AND SWITCHES 1674

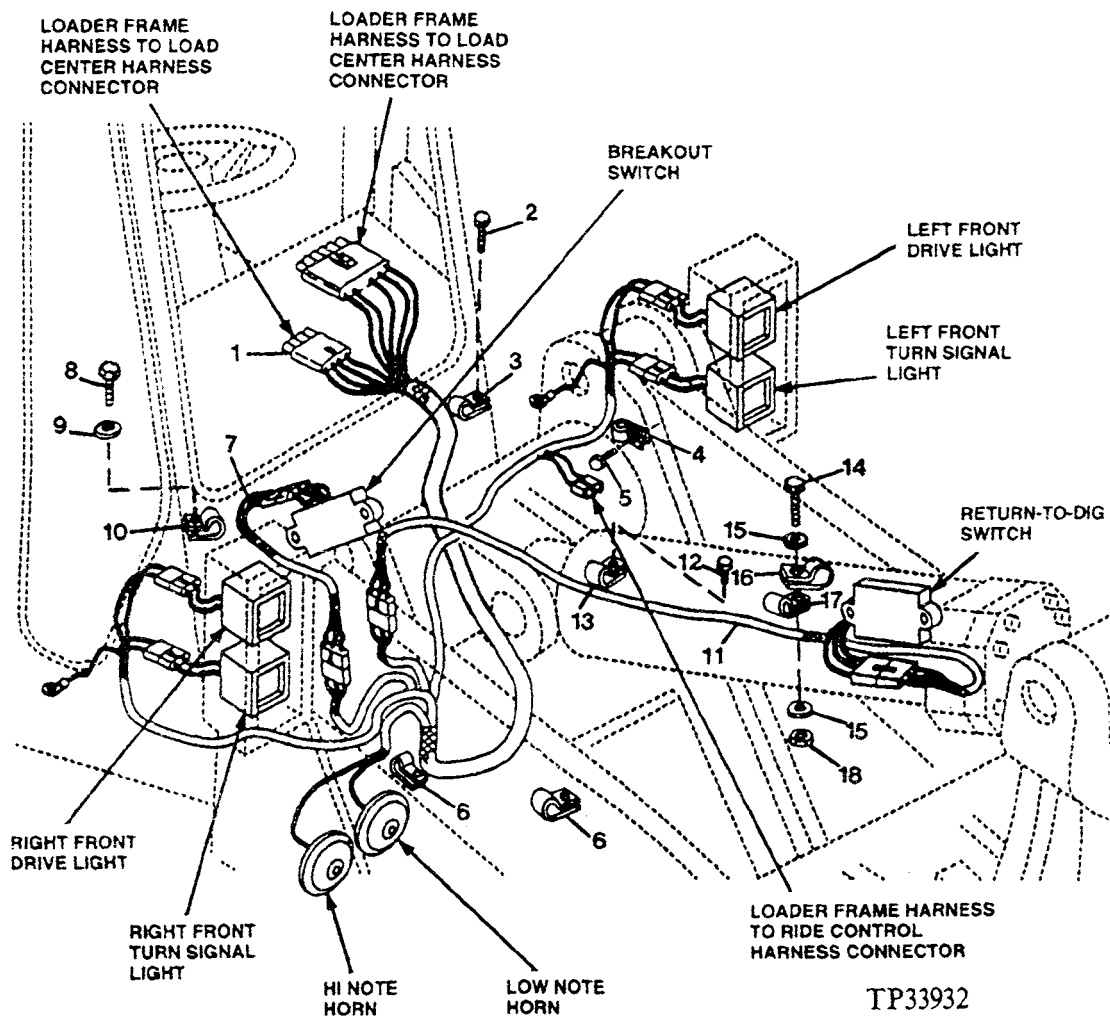
## RIDE CONTROL HARNESS

KEY	PART NO.	PART NAME	QTY	SERIAL NO.	REMARKS
1	AT159528	SWITCH	1		
2	AT75769	RELAY	1		
	21M7022	SCREW	1		M5 X 20, (RIDE CONTROL RELAY TO LOAD CENTER PLATE)
	T103238	NUT	1		(RIDE CONTROL RELAY TO LOAD CENTER PLATE)
3	H77698	TIE BAND	5		
4	AT159529	WIRING HARNESS	1		
	AR94101	CONNECTOR	1		
5	AT161087	WIRING HARNESS	1		
6	57M7125	FUSE	1		5 AMPS (IN FUSEBLOCK P30 LOCATION)
7	T145122	LABEL	1		(OVER P30 SPARE ON FUSEBLOCK LABEL)

# 2D14

## LOADER FRAME HARNESS

TP33932



# 2D15

ELECTRICAL SYSTEM 16

WIRING HARNESS AND SWITCHES 1674

## LOADER FRAME HARNESS

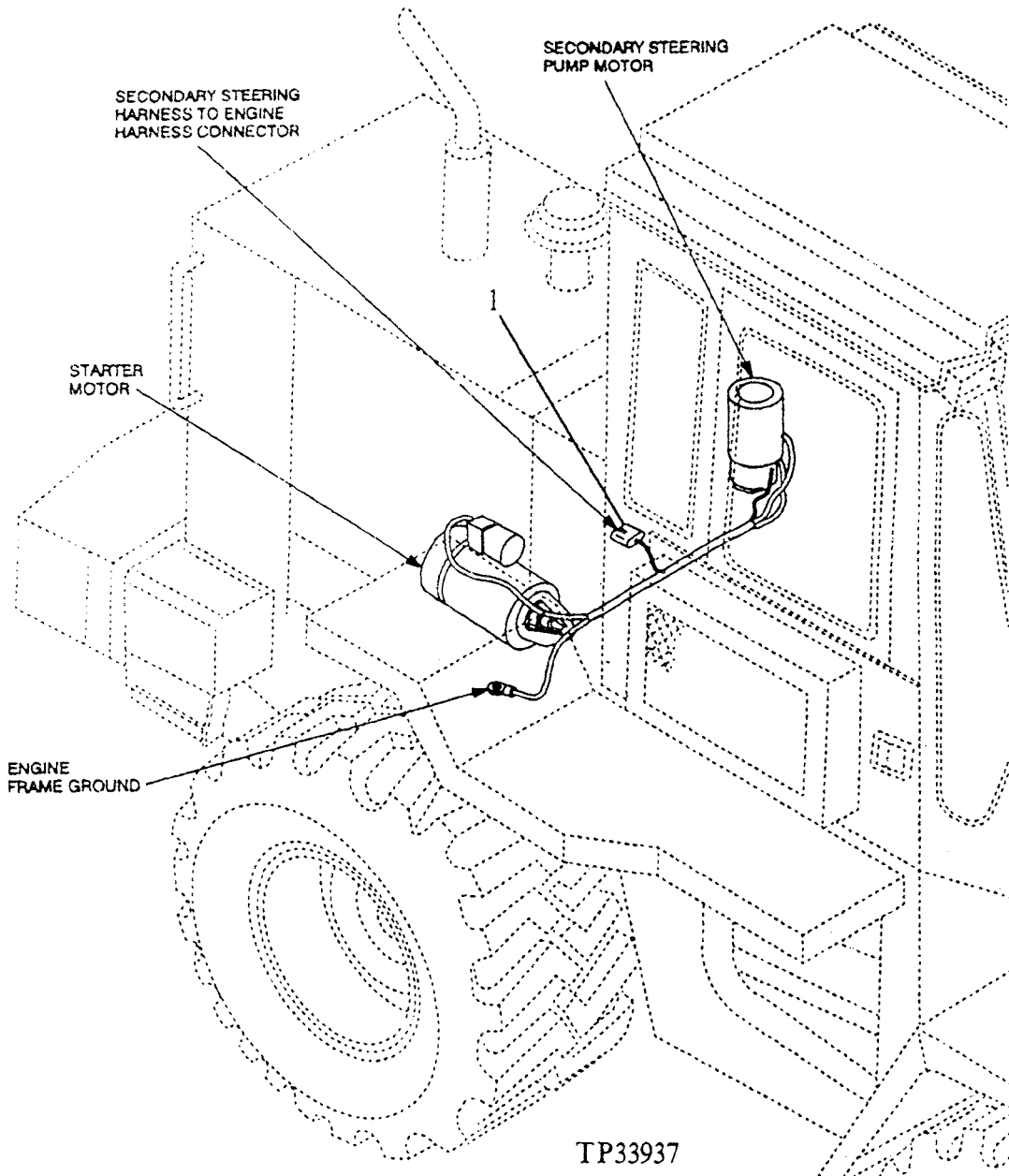
KEY	PART NO.	PART NAME	QTY	SERIAL NO.	REMARKS
1	AT150261	WIRING HARNESS	1		
2	19M7784	SCREW	3		M10 X 20
3	T78787	CLAMP	3		
4	T75197	CLAMP	AR		
5	19M7784	SCREW	AR		M10 X 20
6	T74416	CLAMP	2		
7	AT115771	WIRING HARNESS	1		
8	19M7938	CAP SCREW	2		M10 X 20
9	24M7239	WASHER	2		10.700 X 21 X 2.500 MM
10	T75276	CLAMP	2		
11	AT103042	WIRING HARNESS	1		
12	19M7938	CAP SCREW	2		M10 X 20
13	T75276	CLAMP	2		
14	19M7938	CAP SCREW	2		M10 X 20
15	24M7239	WASHER	4		10.700 X 21 X 2.500 MM
16	T75276	CLAMP	2		
17	T27550	CLIP	2		
18	14M7274	NUT	2		M10



# 2D16

## SECONDARY STEERING HARNESS

TP33937



# 2D17

ELECTRICAL SYSTEM 16

WIRING HARNESS AND SWITCHES 1674

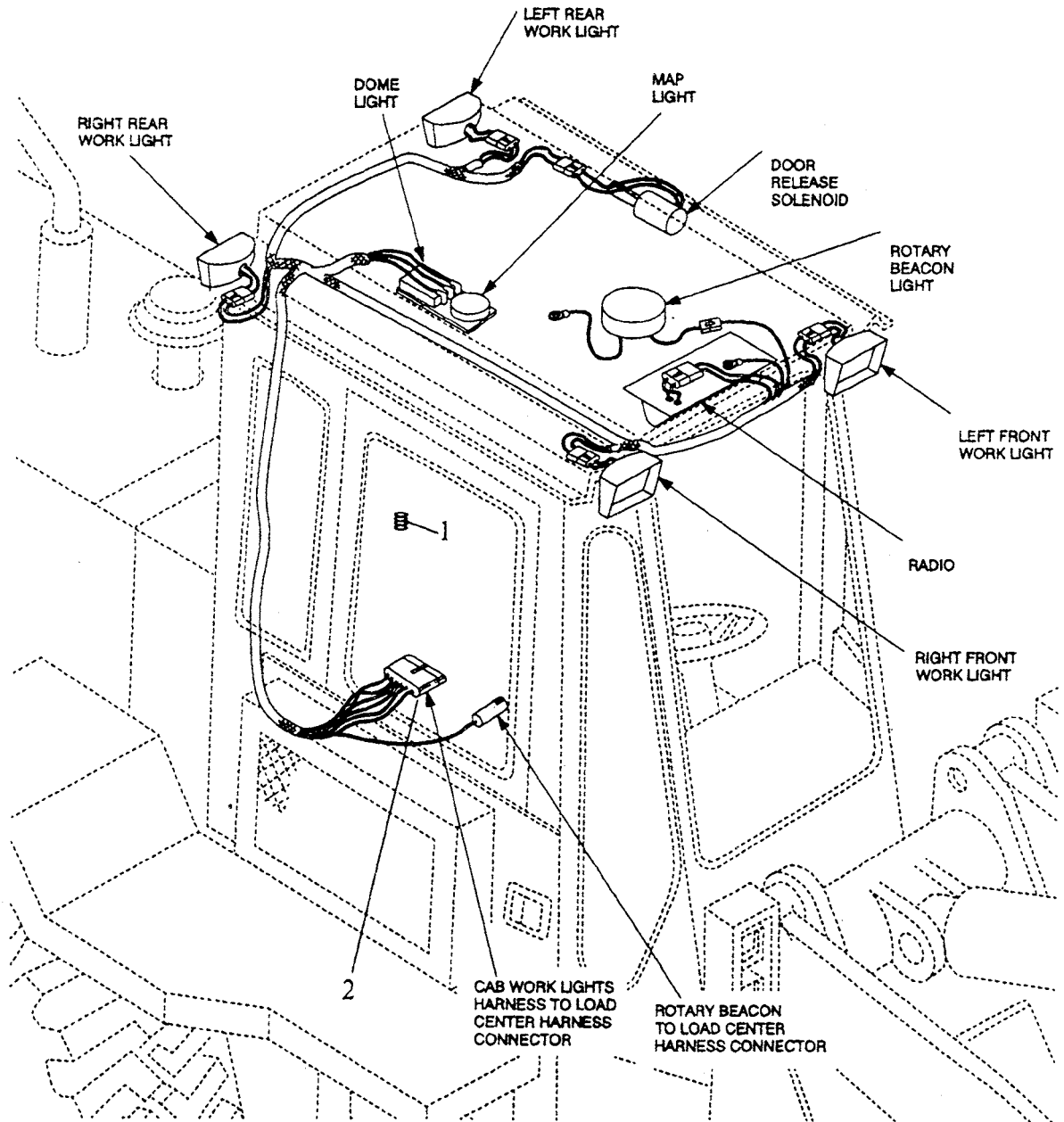
## SECONDARY STEERING HARNESS

KEY	PART NO.	PART NAME	QTY	SERIAL NO.	REMARKS
1	AT103311	WIRING HARNESS	1		
	R44302	TIE BAND	2		

# 2D18

## CAB WORK LIGHT HARNESS

TP33936



TP33936

# 2D19

ELECTRICAL SYSTEM 16

WIRING HARNESS AND SWITCHES 1674

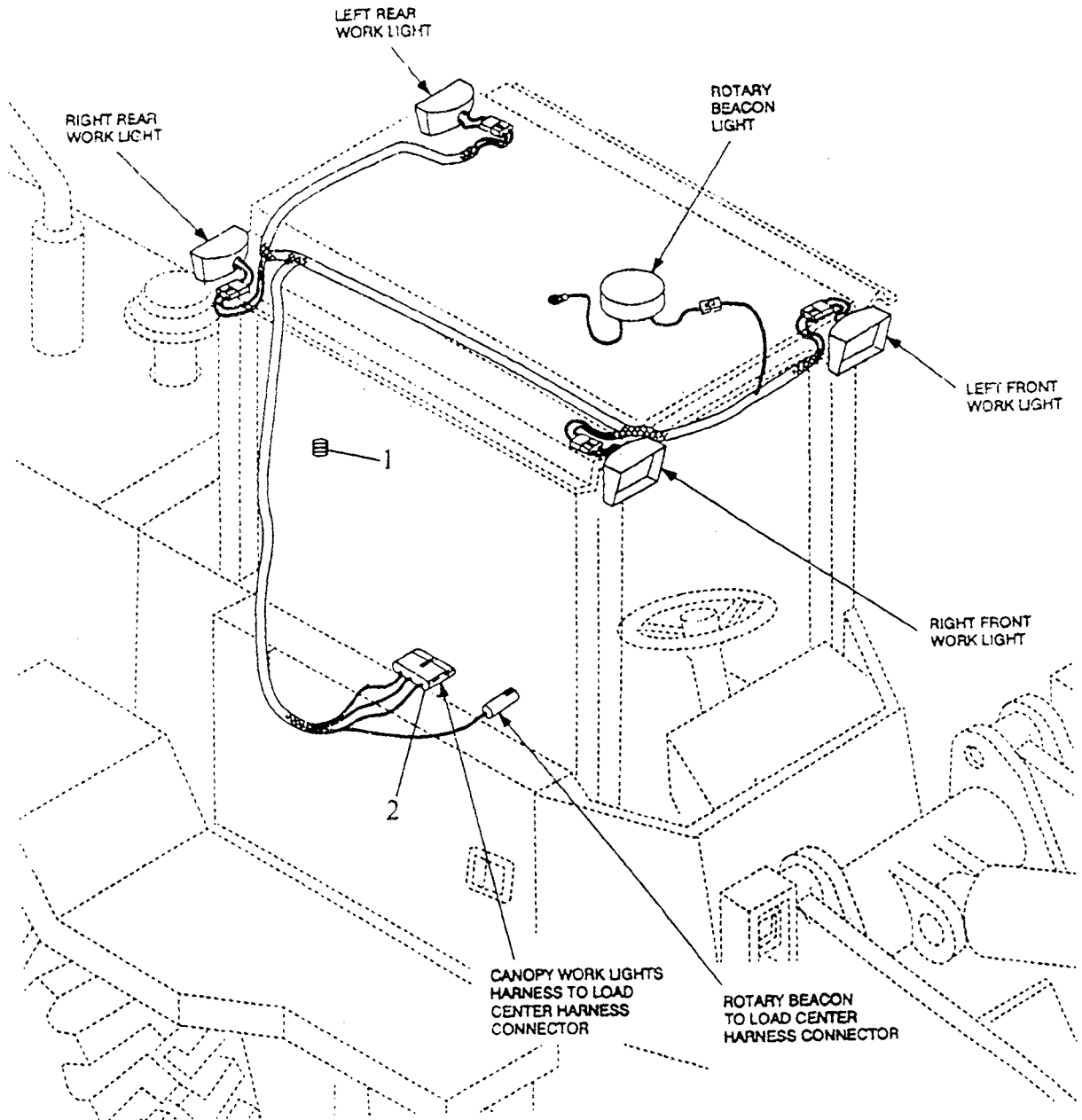
## CAB WORK LIGHT HARNESS

KEY	PART NO.	PART NAME	QTY	SERIAL NO.	REMARKS
1	AT135542	GROMMET	4		
2	AT149892	WIRING HARNESS	1		

# 2D20

## CANOPY WORK LIGHT HARNESS

TP33935



TP33935

# 2D21

ELECTRICAL SYSTEM 16

WIRING HARNESS AND SWITCHES 1674

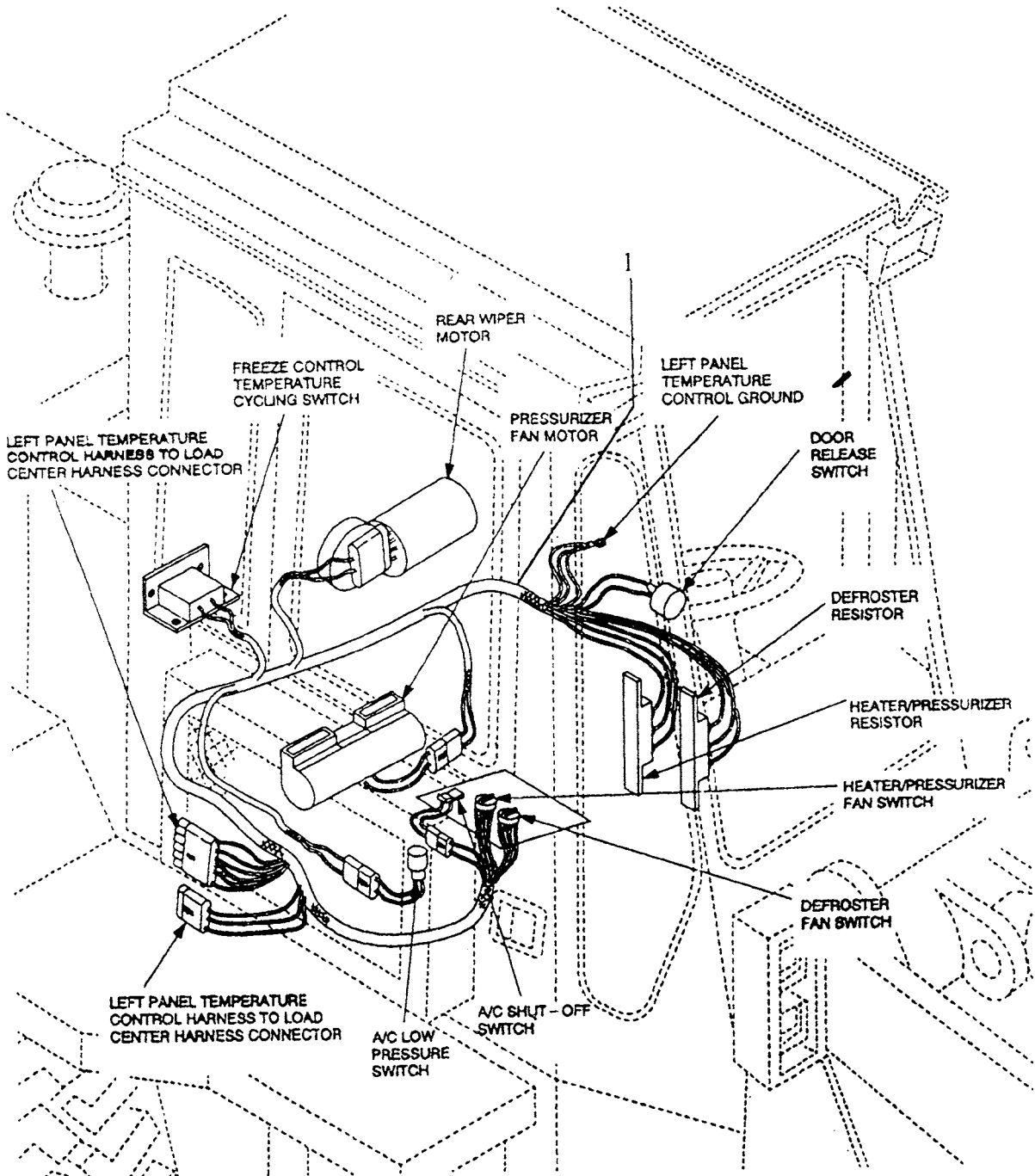
## CANOPY WORK LIGHT HARNESS

KEY	PART NO.	PART NAME	QTY	SERIAL NO.	REMARKS
1	R27180	GROMMET	4		
2	AT157141	WIRING HARNESS	1		

# 2D22

## TEMPERATURE CONTROL HARNESS

TP33934



TP33934

# 2D23

ELECTRICAL SYSTEM 16

WIRING HARNESS AND SWITCHES 1674

## TEMPERATURE CONTROL HARNESS

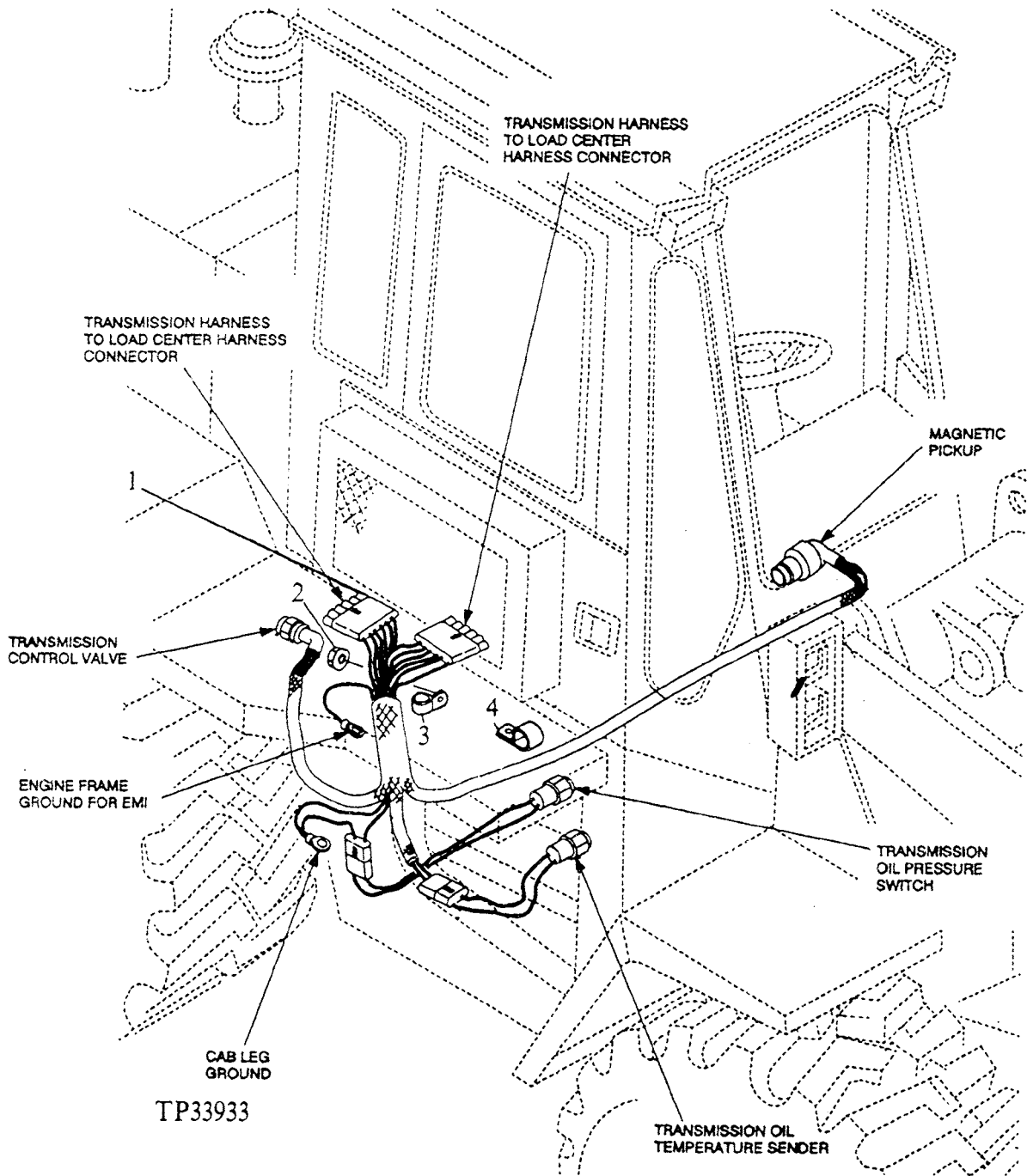
KEY	PART NO.	PART NAME	QTY	SERIAL NO.	REMARKS
1	AT149893	WIRING HARNESS	1		



# 2D24

## TRANSMISSION HARNESS

TP33933



# 2D25

ELECTRICAL SYSTEM 16

WIRING HARNESS AND SWITCHES 1674

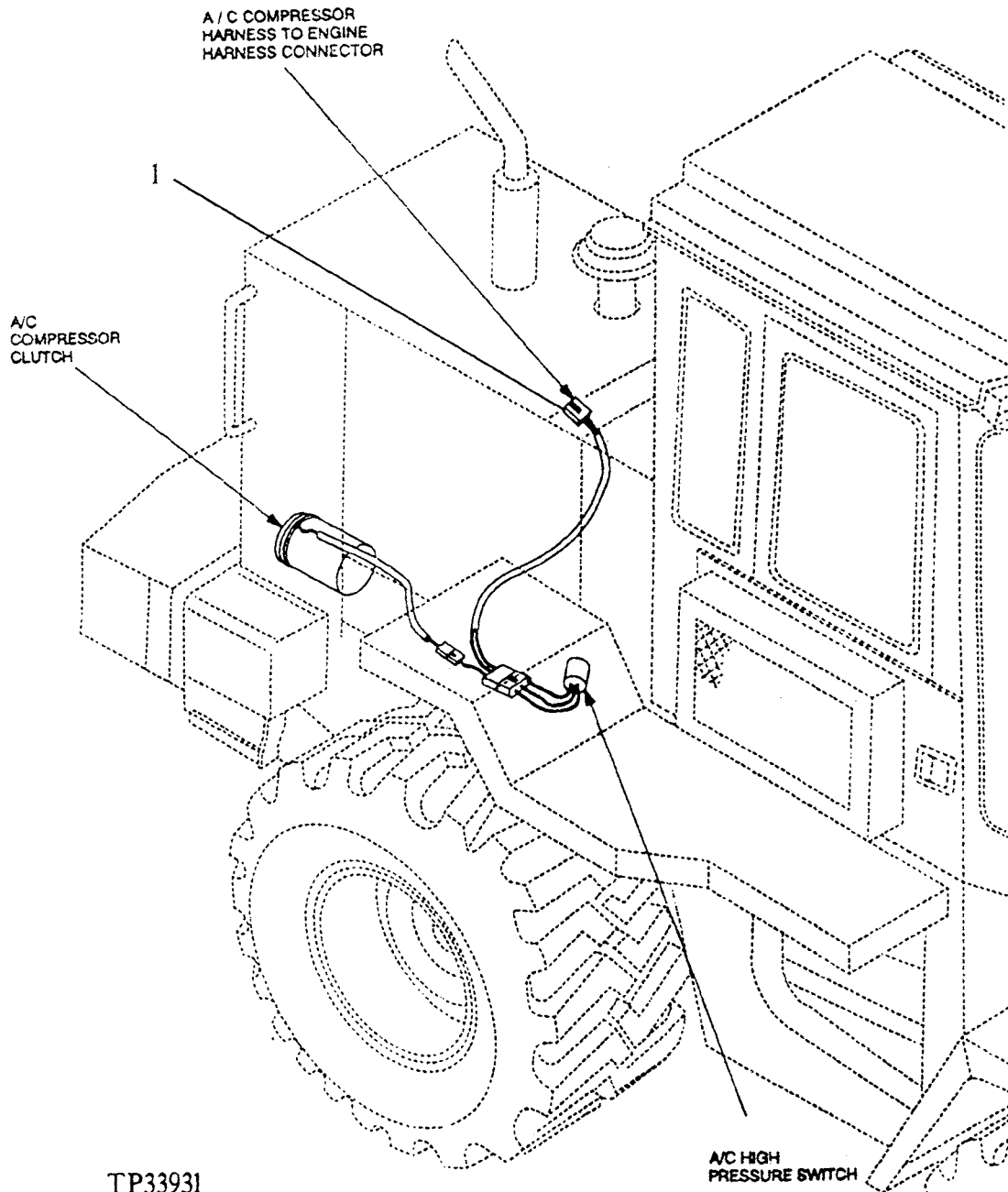
## TRANSMISSION HARNESS

KEY	PART NO.	PART NAME	QTY	SERIAL NO.	REMARKS
1	AT149965	WIRING HARNESS	1		
2	14M7298	FLANGE NUT	1		M8
3	T75197	CLAMP	1		
4	T74410	CLAMP	1		

# 2E01

## AIR CONDITIONER COMPRESSOR HARNESS

TP33931



TP33931

# 2E02

ELECTRICAL SYSTEM 16

## AIR CONDITIONER COMPRESSOR HARNESS

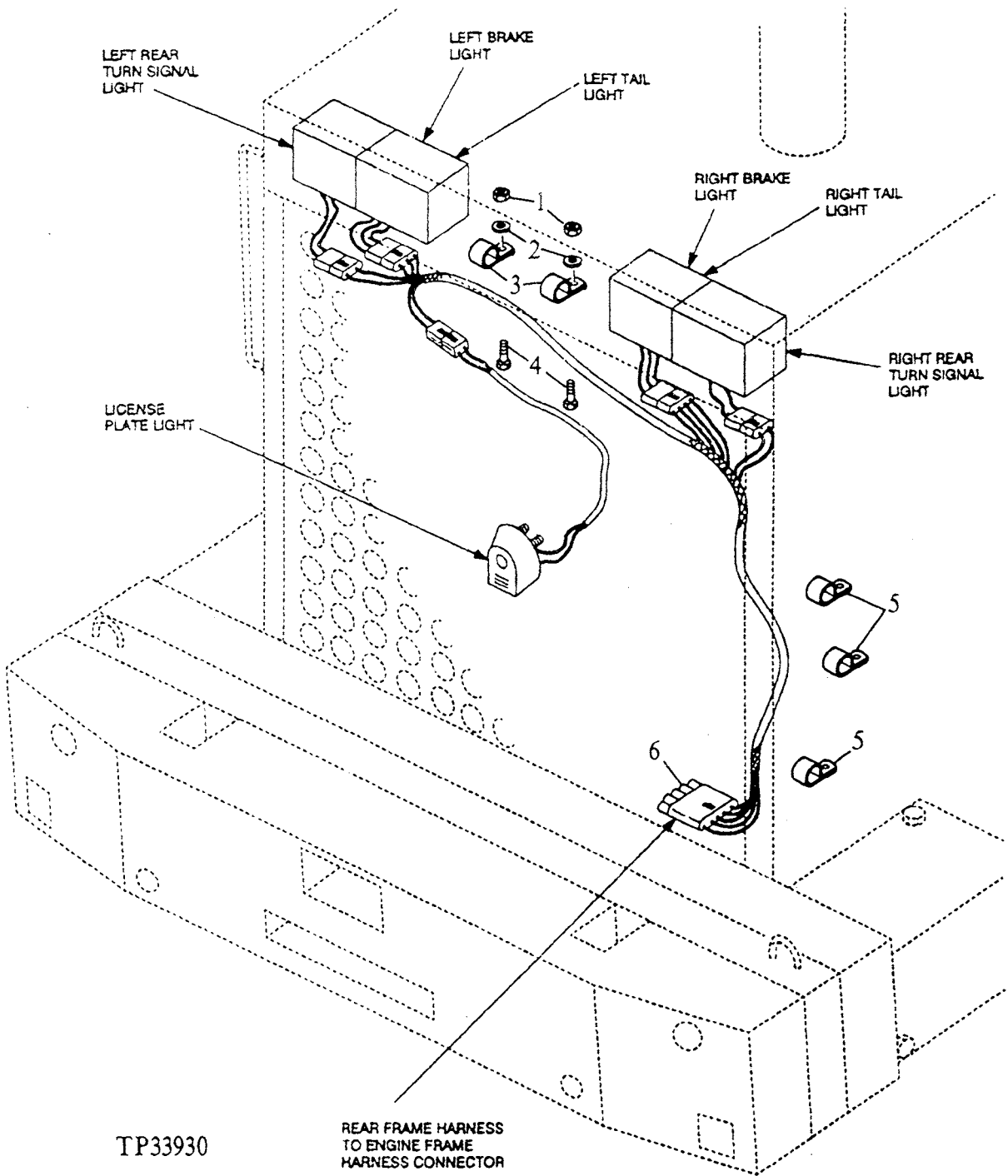
WIRING HARNESS AND SWITCHES 1674

<i>KEY</i>	<i>PART NO.</i>	<i>PART NAME</i>	<i>QTY</i>	<i>SERIAL NO.</i>	<i>REMARKS</i>
1	AT103031	WIRING HARNESS	1		

# 2E03

## REAR FRAME HARNESS

TP33930



TP33930

REAR FRAME HARNESS  
TO ENGINE FRAME  
HARNESS CONNECTOR

# 2E04

ELECTRICAL SYSTEM 16

WIRING HARNESS AND SWITCHES 1674

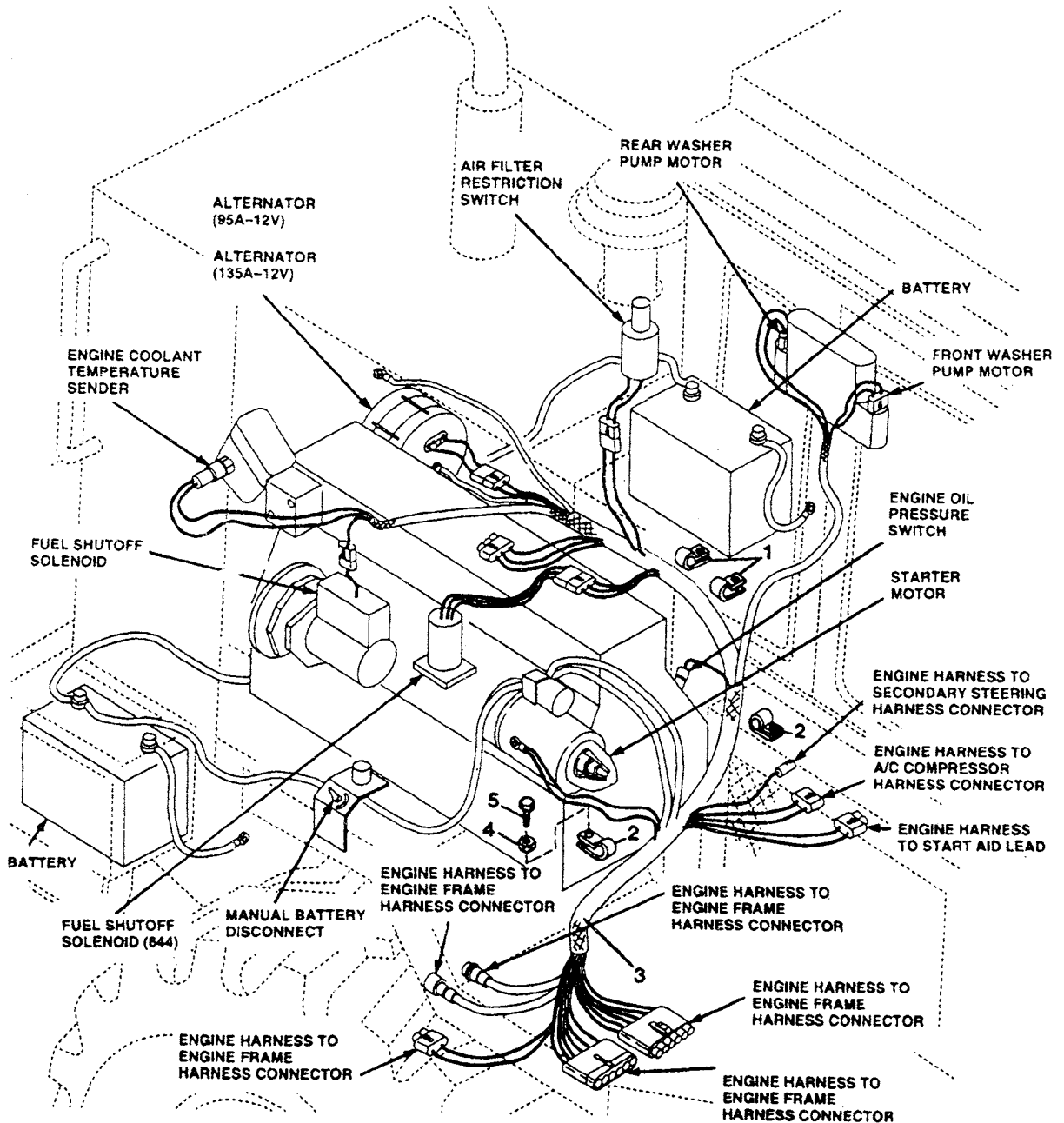
## REAR FRAME HARNESS

KEY	PART NO.	PART NAME	QTY	SERIAL NO.	REMARKS
1	14M7298	FLANGE NUT	2		M8
2	24M7240	WASHER	2		13 X 25 X 3 MM
3	T74416	CLAMP	2		
4	19M7784	SCREW	2		M10 X 20
5	T75276	CLAMP	3		
6	AT116126	WIRING HARNESS	1		

# 2E05

## ENGINE AND INJECTION PUMP HARNESS

TP33928



TP33928

# 2E06

ELECTRICAL SYSTEM 16

WIRING HARNESS AND SWITCHES 1674

## ENGINE AND INJECTION PUMP HARNESS

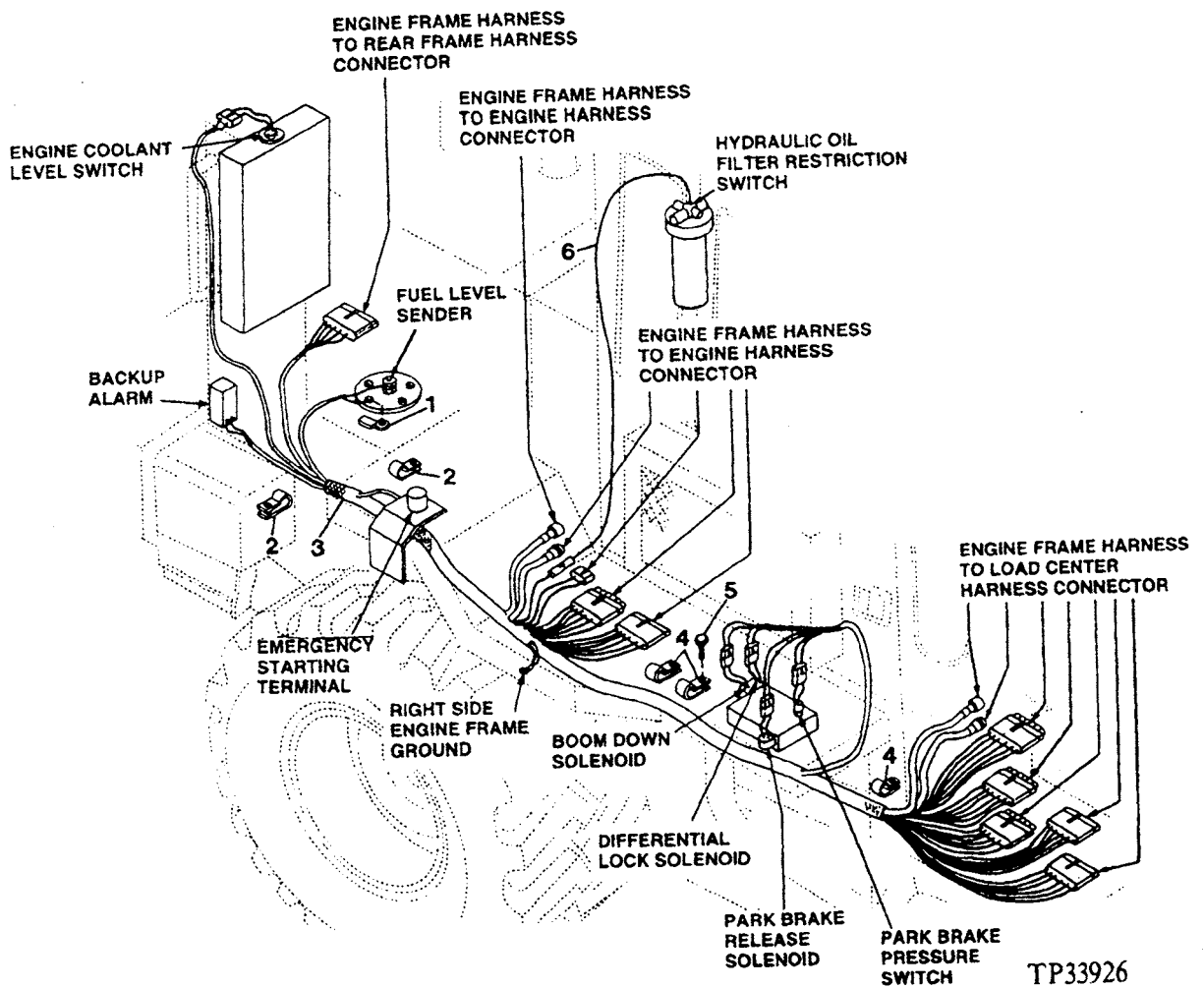
KEY	PART NO.	PART NAME	QTY	SERIAL NO.	REMARKS
1	T76252	CLAMP	2		
2	T74416	CLAMP	2		
3	AT149888	WIRING HARNESS	1		
4	12H304	LOCK WASHER	1		3/8"
5	19H1800	CAP SCREW	1		3/8" X 1-1/2"



# 2E07

## ENGINE FRAME HARNESS

TP33926



# 2E08

ELECTRICAL SYSTEM 16

WIRING HARNESS AND SWITCHES 1674

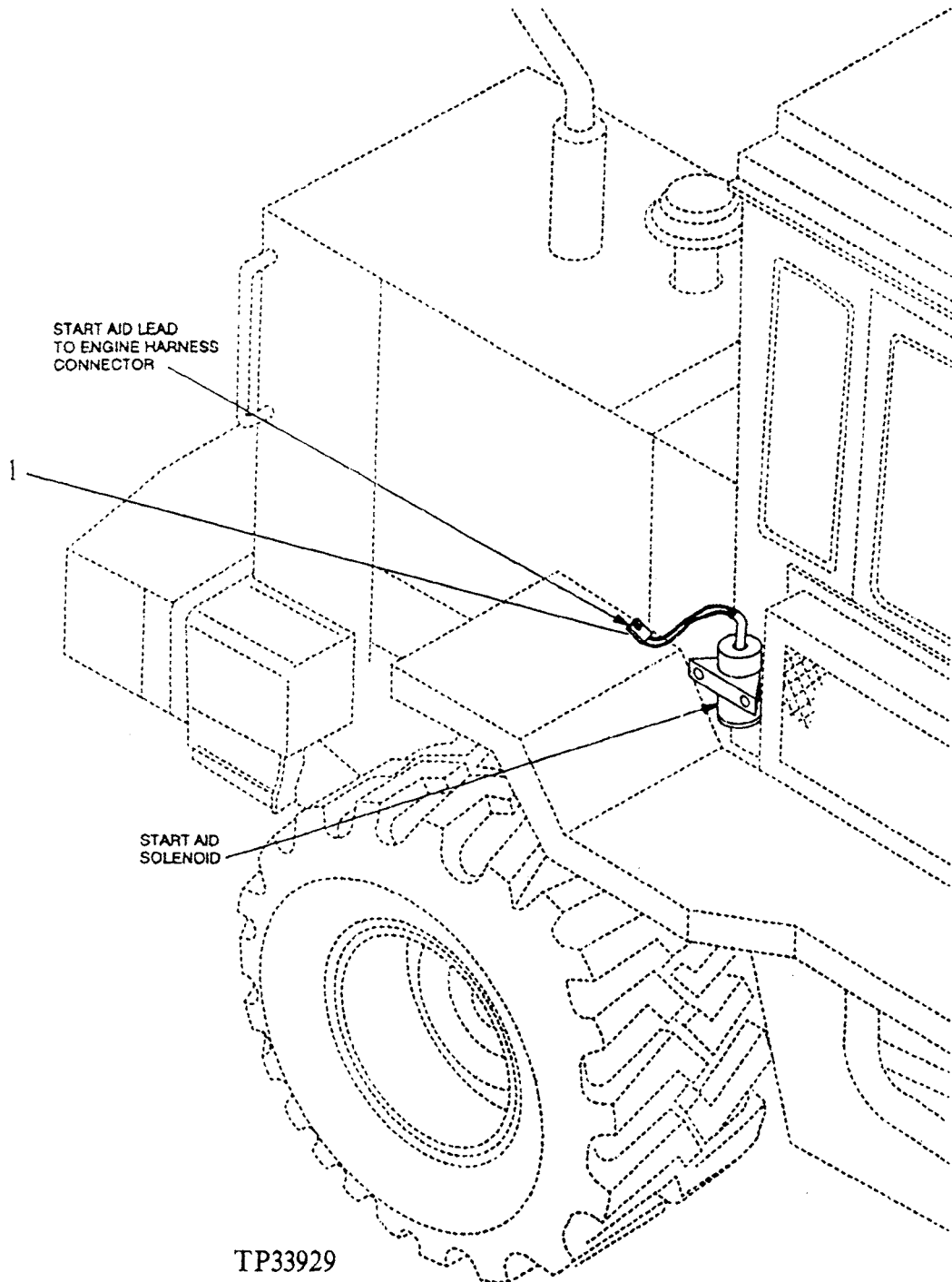
## ENGINE FRAME HARNESS

KEY	PART NO.	PART NAME	QTY	SERIAL NO.	REMARKS
1	57M7116	TAB	1		
2	T75276	CLAMP	2		
3	AT149887	WIRING HARNESS	1		
4	T102934	CLAMP	3		
5	19M7784	SCREW	3		M10 X 20
6	AT102464	WIRING LEAD	1		

# 2E09

## START AID LEAD

TP33929



# 2E10

ELECTRICAL SYSTEM 16

WIRING HARNESS AND SWITCHES 1674

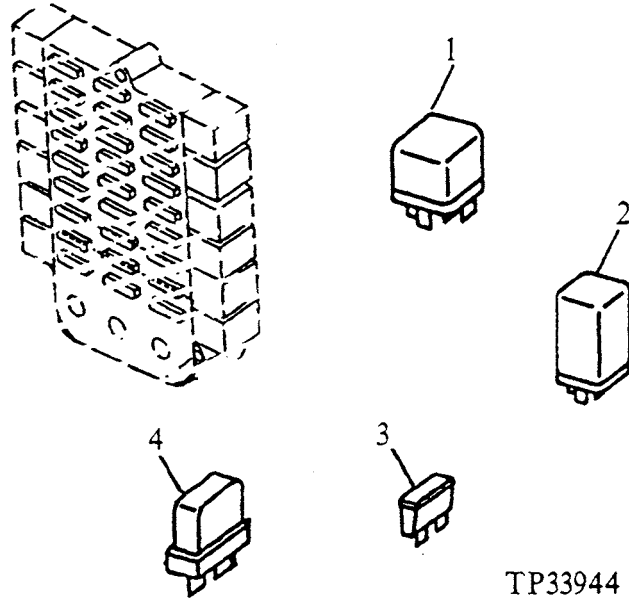
## START AID LEAD

<i>KEY</i>	<i>PART NO.</i>	<i>PART NAME</i>	<i>QTY</i>	<i>SERIAL NO.</i>	<i>REMARKS</i>
1	AT161185	WIRING LEAD	1		

# 2E11

## FUSES, RELAYS, CIRCUIT BREAKERS AND FLASHER

TP33944



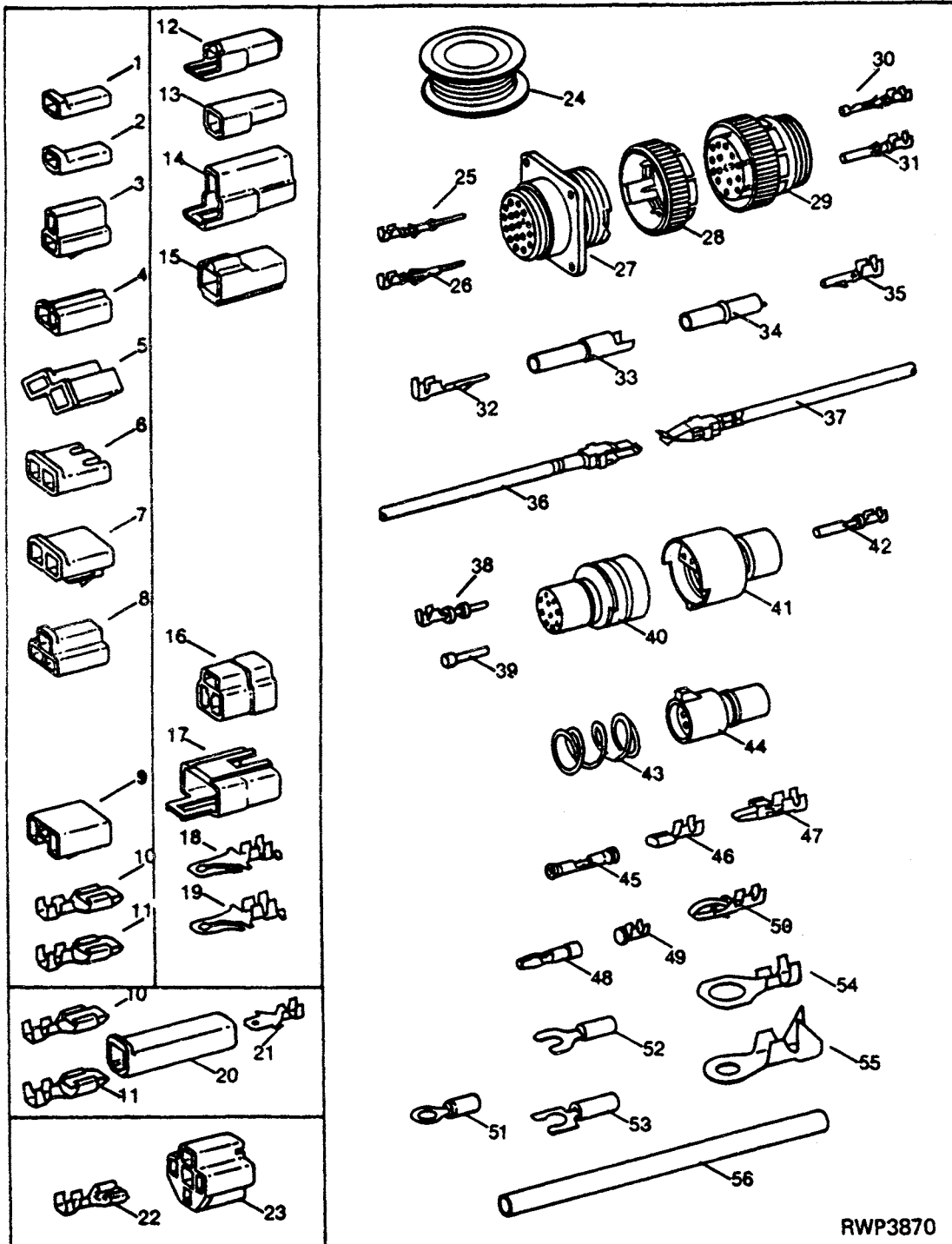
KEY	PART NO.	PART NAME	QTY	SERIAL NO.	REMARKS
1	AT156759	RELAY	11		
2	AT141357	FLASHER	1		
3	57M7125	FUSE	12		5 AMP
	57M7121	FUSE	2		10 AMP
	99M7065	FUSE	5		15 AMP
	57M7120	FUSE	1		20 AMP
	57M7146	FUSE	1		30 AMP
4	T103463	CIRCUIT BREAKER	1		10 AMP
	T103834	CIRCUIT BREAKER	3		20 AMP
	T102780	CIRCUIT BREAKER	1		25 AMP

MEMORANDA

# 2E12

## WIRE LEAD KIT

RWP3870



RWP3870

# 2E13

ELECTRICAL SYSTEM 16

WIRING HARNESS AND SWITCHES 1674

## WIRE LEAD KIT

KEY	PART NO.	PART NAME	QTY	TRACTOR SERIAL NO.	REMARKS
1	T28583	RECEPTACLE	1		(B)
2	M43835	FLAT CONNECTOR	1		(B)
3	R77476	CONNECTOR	1		(A)
4	R77477	CONNECTOR	1		(A)
5	R77479	CONNECTOR	1		(A)
6	R77480	CONNECTOR	1		(A)
7	R77481	CONNECTOR	1		(A)
8	R77482	CONNECTOR	1		
9	H104855	CONNECTOR	1		
10	U46662	TERMINAL	1		(E) (F)
11	N115096	TERMINAL	1		(G) (PKG. OF 15)
12	T28585	TERMINAL	1		(B)
13	R77475	CONNECTOR	1		(B)
14	T28586	CONNECTOR	1		(A)
15	R77478	CONNECTOR	1		(A)
16	R77483	CONNECTOR	1		
17	R48887	RECEPTACLE	1		
18	T34067	TERMINAL	1		(E) (F)
19	R77484	TERMINAL	1		(G) (PKG. OF 15)
20	U46370	CONNECTOR	1		(B)
21	R77485	TAB	1		(C) (F)
22	R77486	TERMINAL	1		(E) (F)
23	R77487	CONNECTOR	1		(B)
24	R66321	WIRING LEAD	1		15M (50 FT.) 10 GA.
	R66320	WIRING LEAD	1		30.5M (100 FT.) 12 GA.
	R77501	WIRE	1		30.5M (100 FT.) 14 GA.
	R77500	WIRE	1		30.5M (100 FT.) 16 GA.
	R77499	WIRE	1		30.5M (100 FT.) 18 GA.
	R77498	WIRE	1		30.5M (100 FT.) 20 GA.
25	R77462	PIN CONTACT	1		(PKG. OF 40) (20-22 OR 24 GA. WIRE)
26	R77464	PIN CONTACT	1		(H) (PKG. OF 50)
27	R77456	RECEPTACLE	1		(37 WAY)
28	R77458	CONNECTOR	1		(A) (SIZE 23)
	R77459	CONNECTOR	1		(A) (SIZE 17)
	R77460	CONNECTOR	1		(A) (SIZE 13)
	R77461	CONNECTOR	1		(A) (SIZE 11)
29	R77457	ELECTRICAL PLUG	1		(37 WAY)
30	R77463	SOCKET CONTACT	1		(PKG. OF 40) (20-22 OR 24 GA. WIRE)
31	R77465	SOCKET CONTACT	1		(H) (PKG. OF 50)
32	R77468	TERMINAL	1		(PKG. OF 5)
33	R77466	CONNECTOR	1		(A)
34	R77467	CONNECTOR	1		(A)

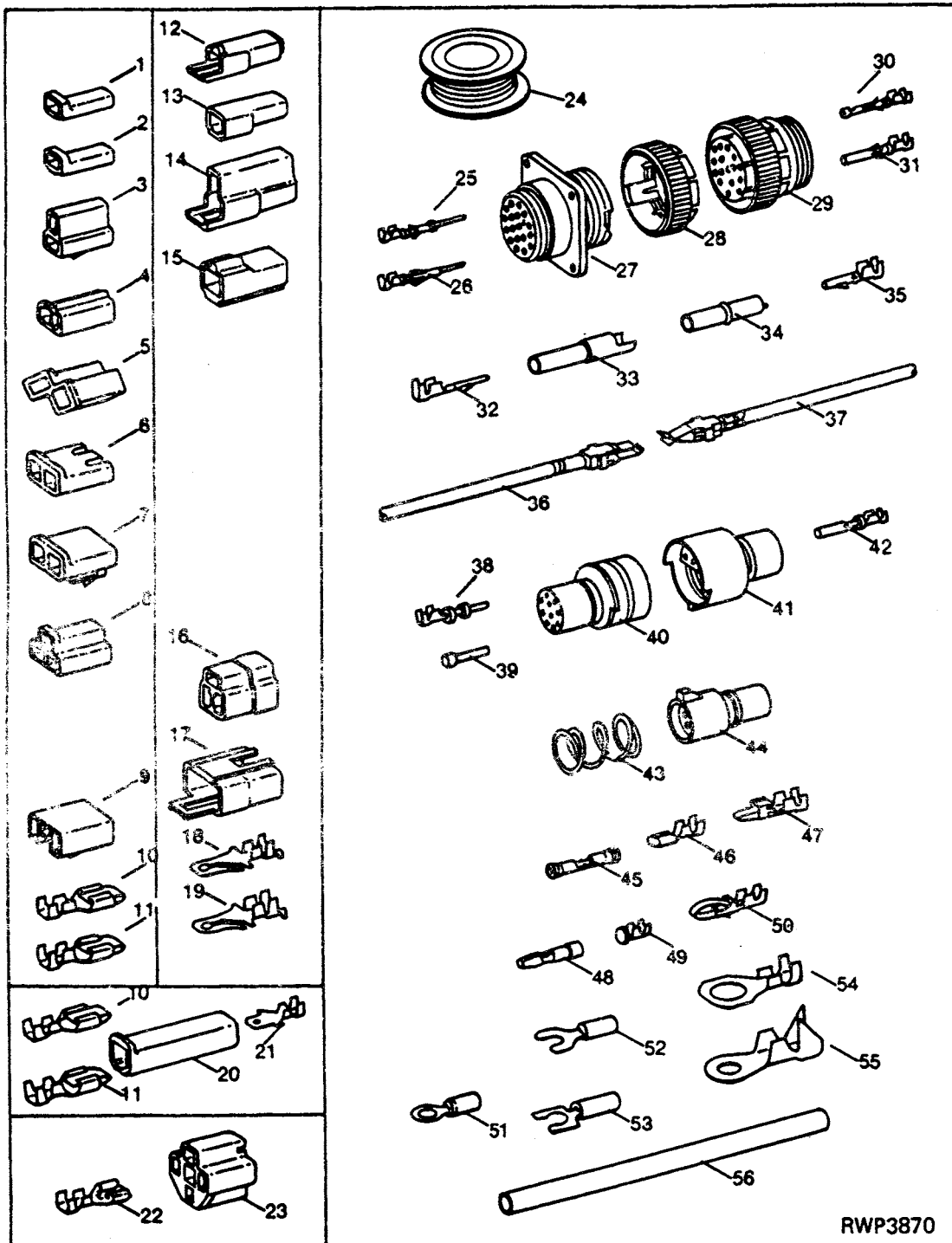
- (A) PKG. OF 2
- (B) PKG. OF 3
- (C) PKG. OF 10
- (D) PKG. OF 20
- (E) PKG. OF 25
- (F) 14 OR 16 GA. WIRE
- (G) 10 OR 12 GA. WIRE
- (H) 14-16 OR 18 GA. WIRE



# 2E14

## WIRE LEAD KIT

RWP3870



RWP3870

# 2E15

ELECTRICAL SYSTEM 16

WIRING HARNESS AND SWITCHES 1674

## WIRE LEAD KIT

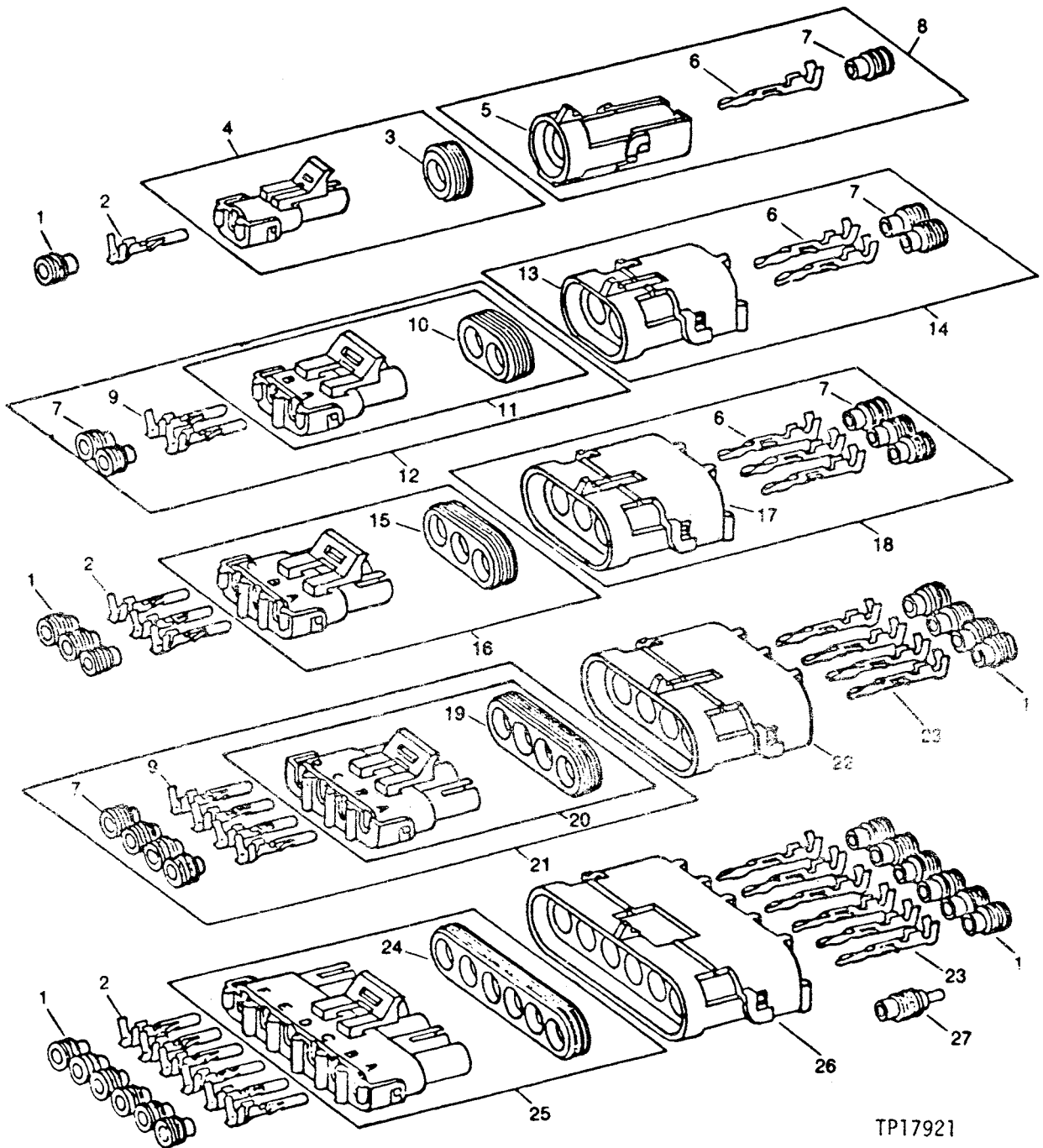
KEY	PART NO.	PART NAME	QTY	TRACTOR SERIAL NO.	REMARKS
35	R77469	TERMINAL	1		(PKG. OF 5)
36	RE11156	TERMINAL	1		(B) (MALE)
37	RE11157	TERMINAL	1		(B) (FEMALE)
38	R70222	PIN CONTACT	1		(D) (H)
39	R70221	ELECTRICAL PLUG	1		(E)
40	R70219	PLUG	1		(A) (10 WAY)
	R70217	PLUG	1		(A) (7 WAY)
	R70215	PLUG	1		(A) (4 WAY)
	R70213	PLUG	1		(A) (3 WAY)
	R70211	CONNECTOR	1		(A) (2 WAY)
41	R70218	RECEPTACLE	1		(A) (10 WAY)
	R70216	RECEPTACLE	1		(A) (7 WAY)
	R70214	RECEPTACLE	1		(A) (4 WAY)
	R70212	RECEPTACLE	1		(A) (3 WAY)
	R70210	RECEPTACLE	1		(A) (2 WAY)
42	AR91793	SOCKET CONTACT	1		(D)
43	R30378	SPRING	1		(C)
44	R77474	CONNECTOR	1		(A) (6 WAY)
45	R77470	TERMINAL	1		SPLICE (PKG. OF 15) (16-18-20 OR 22 GA. WIRE)
	R77471	TERMINAL	1		(C) (G) SPLICE
	R77472	TERMINAL	1		(A) SPLICE (8 GA. WIRE)
	R77473	TERMINAL	1		(A) SPLICE (6 GA. WIRE)
46	R65607	TERMINAL	1		(C) (18 OR 20 GA. WIRE)
47	U46664	TERMINAL	1		(C) (F)
48	R32026	TERMINAL	1		(D) (F)
49	R65602	CONTACT	1		(C) (16 OR 18 GA. WIRE)
50	R70220	TERMINAL	1		(C) (18 OR 20 GA. WIRE)
51	R77489	TERMINAL	1		(D) (14-16-18 OR 20 GA. WIRE) (NO. 10 EYELET)
	R77493	TERMINAL	1		(D) (G) (NO. 10 EYELET)
	R77488	TERMINAL	1		(D) (14-16-18 OR 20 GA. WIRE) (3/8" EYELET)
	R77490	TERMINAL	1		(D) (G) (1/2" EYELET)
52	R77496	TERMINAL	1		(D) (F) (NO. 8 SPADE)
	R77495	TERMINAL	1		(D) (18 GA. WIRE) (NO. 10 SPADE)
53	R77497	TERMINAL	1		(D) (F) (NO. 6 SPADE)
54	R77491	TERMINAL	1		(D) (G) (3/8" EYELET)
	R77492	TERMINAL	1		(D) (G) (1/4" EYELET)
55	R77494	TERMINAL	1		(D) (6 OR 8 GA. WIRE) (1/4" EYELET)
56	R77502	TUBE	1		(PKG. OF 8) 3/8" (HEAT SHRINK)
	R77503	TUBE	1		(PKG. OF 8) 3/16" (HEAT SHRINK)
57	RE11154	KIT	1		

- (A) PKG. OF 2
- (B) PKG. OF 3
- (C) PKG. OF 10
- (D) PKG. OF 20
- (E) PKG. OF 25
- (F) 14 OR 16 GA. WIRE
- (G) 10 OR 12 GA. WIRE
- (H) 14-16 OR 18 GA. WIRE

# 2E16

## WEATHERPACK TERMINALS AND CONNECTORS

TP17921



TP17921

# 2E17

ELECTRICAL SYSTEM 16

## WEATHERPACK TERMINALS AND CONNECTORS

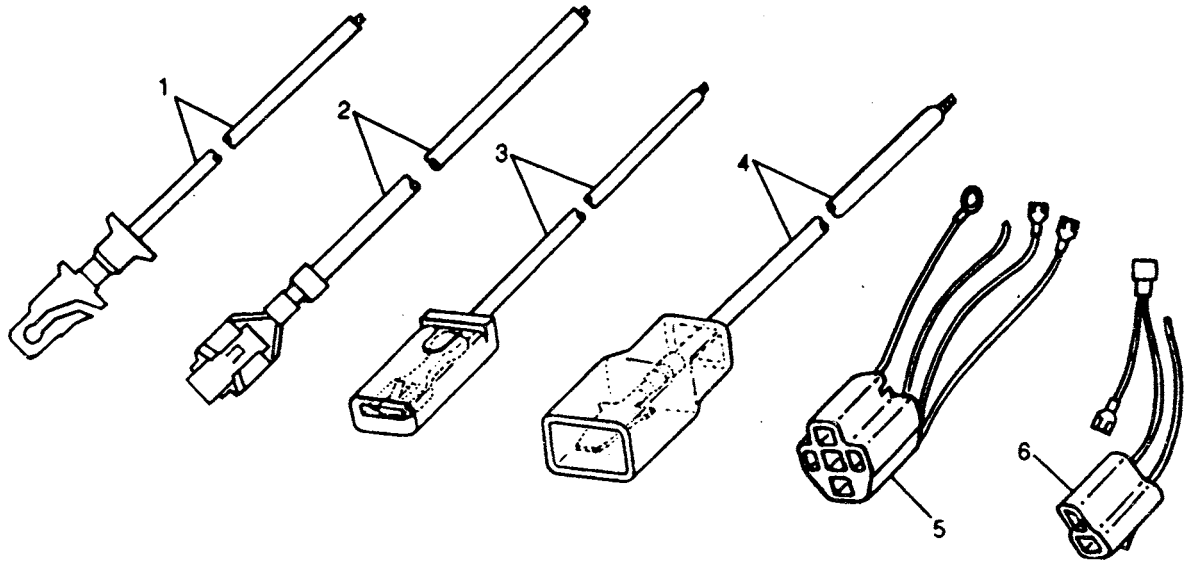
WIRING HARNESS AND SWITCHES 1674

KEY	PART NO.	PART NAME	QTY	SERIAL NO.	REMARKS
1	R78063	TERMINAL NIPPLE	1		(PKG. OF 40) (16 GA. WIRE) (GRAY)
	R78059	TERMINAL NIPPLE	1		(PKG. OF 40) (18 OR 20 GA. WIRE) (GREEN)
	R78062	TERMINAL NIPPLE	1		(PKG. OF 40) (14 GA. WIRE) (BLUE)
2	R78057	SOCKET CONTACT	1		(PKG. OF 40) (18 OR 20 GA. WIRE) (NO. 19)
	R78060	SOCKET CONTACT	1		(PKG. OF 40) (14 OR 16 GA. WIRE) (NO. 15)
3	R78047	SEAL	1		(PKG. OF 5)
4	RE12362	CONNECTOR	1		(PKG. OF 3)
5	R78052	CONNECTOR	1		(PKG. OF 3)
6	R78061	PIN CONTACT	1		(PKG. OF 40) (14 OR 16 GA. WIRE) (NO. 15)
7	R78063	TERMINAL NIPPLE	1		(PKG. OF 40) (16 GA. WIRE) (GRAY)
8	RE12334	CONNECTOR	1		
9	R78060	SOCKET CONTACT	1		(PKG. OF 40) (14 OR 16 GA. WIRE) (NO. 15)
10	R78048	TERMINAL NIPPLE	1		(PKG. OF 5)
11	RE12363	CONNECTOR	1		(PKG. OF 3)
12	RE12331	CONNECTOR	1		
13	R78053	CONNECTOR	1		(PKG. OF 3)
14	RE12330	CONNECTOR	1		
15	R78049	SEAL	1		(PKG. OF 5)
16	RE12364	CONNECTOR	1		(PKG. OF 3)
17	R78054	CONNECTOR	1		(PKG. OF 3)
18	RE12332	CONNECTOR	1		
19	R78050	SEAL	1		(PKG. OF 5)
20	RE12365	CONNECTOR	1		(PKG. OF 2)
21	RE12333	CONNECTOR	1		
22	R78055	CONNECTOR	1		(PKG. OF 2)
23	R78061	PIN CONTACT	1		(PKG. OF 40) (14 OR 16 GA. WIRE) (NO. 15)
	R78058	PIN CONTACT	1		(PKG. OF 40) (18 OR 20 GA. WIRE) (NO. 19)
24	R78051	SEAL	1		(PKG. OF 5)
25	RE12366	CONNECTOR	1		(PKG. OF 2)
26	R78056	CONNECTOR	1		(PKG. OF 2)
27	R78064	TERMINAL NIPPLE	1		(PKG. OF 40)

# 2E18

WIRING HARNESS AND SWITCHES 1674  
**SUPPLEMENTARY TERMINALS, CONNECTORS AND REPAIR CONDUIT**

TP24539



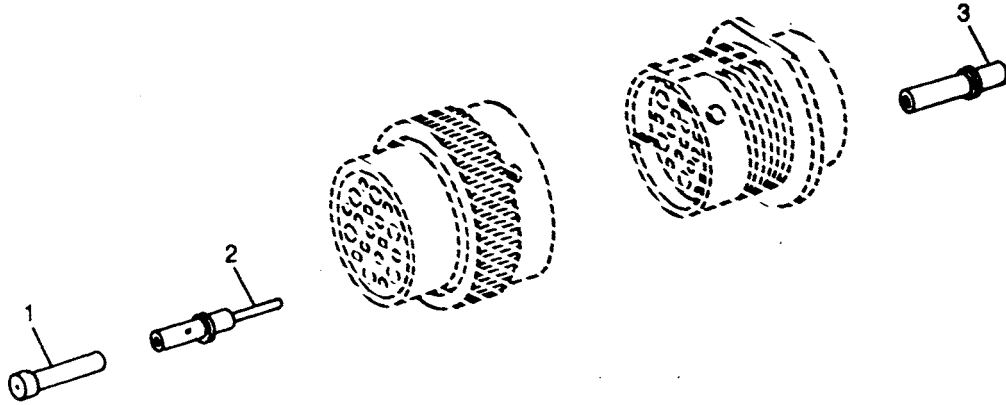
TP24539

KEY	PART NO.	PART NAME	QTY	SERIAL NO.	REMARKS
1	AR65005	TERMINAL	1		
2	AR65006	TERMINAL	1		
3	R32024	WIRING LEAD	1		
4	R32025	WIRING LEAD	1		
5	RE21730	TERMINAL	1		(ILLUSTRATED)
	RE21731	TERMINAL	1		
6	RE21732	TERMINAL	1		
	R93219	CONDUIT	1		0.3 X 3048 MM (1/4" X 120")
	R93220	CONDUIT	1		10.4 X 2048 MM (13/32" X 120")
	R93221	CONDUIT	1		15.9 X 3048 MM (5/8" X 120")
	R93222	CONDUIT	1		25.4 X 3048 MM (1" X 120")

# 2E19

## DEUTSCH TERMINALS

TP24540



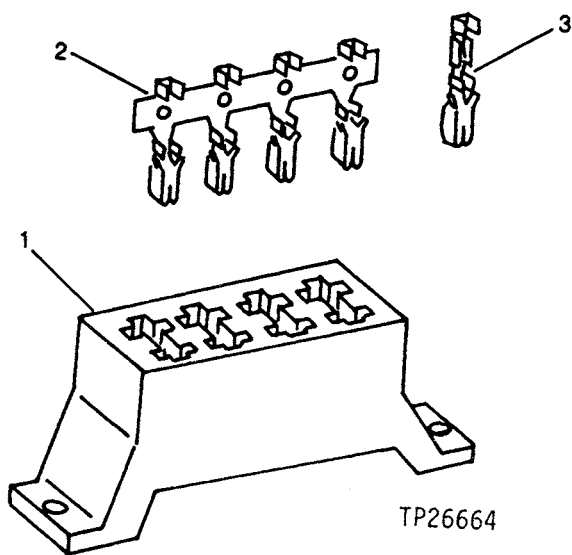
TP24540

KEY	PART NO.	PART NAME	QTY	SERIAL NO.	REMARKS
1	R78069	TERMINAL NIPPLE	1		(PKG OF 40)
2	R78066	PIN CONTACT	1		(PKG OF 40) (16 OR 18 GA WIRE)
3	R78065	SOCKET CONTACT	1		(PKG OF 40) (16 OR 18 GA WIRE)

# 2E20

## STACKABLE AUTO FUSE HOLDER AND TERMINALS (PACK-CON III)

TP26664



KEY	PART NO.	PART NAME	QTY	SERIAL NO.	REMARKS
1	T126786	FUSE HOLDER	AR		
2	T126787	TERMINAL	AR		
3	T126788	TERMINAL	AR		

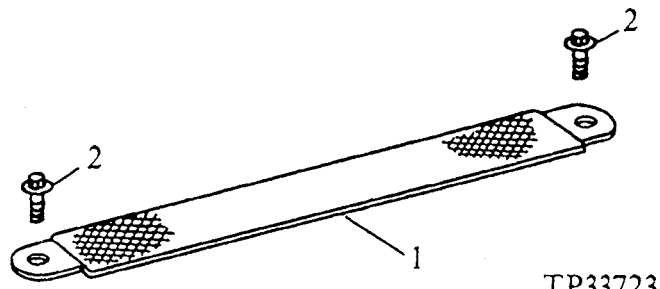
**MEMORANDA**



# 2E21

## CAB GROUND STRAP

TP33723



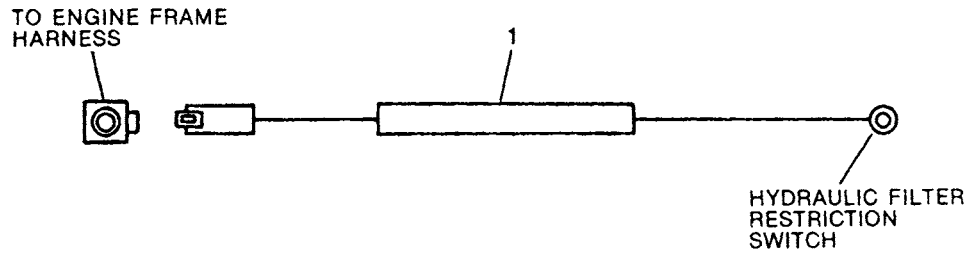
KEY	PART NO.	PART NAME	QTY	SERIAL NO.	REMARKS
1	AP22660	GROUND CABLE	1		
2	19M7784	SCREW	2		M10 X 20

**MEMORANDA**

# 2E22

## HYDRAULIC FILTER LEAD

TP20665



TP20665

KEY	PART NO.	PART NAME	QTY	SERIAL NO.	REMARKS
1	AT102464	WIRING LEAD	1		

---

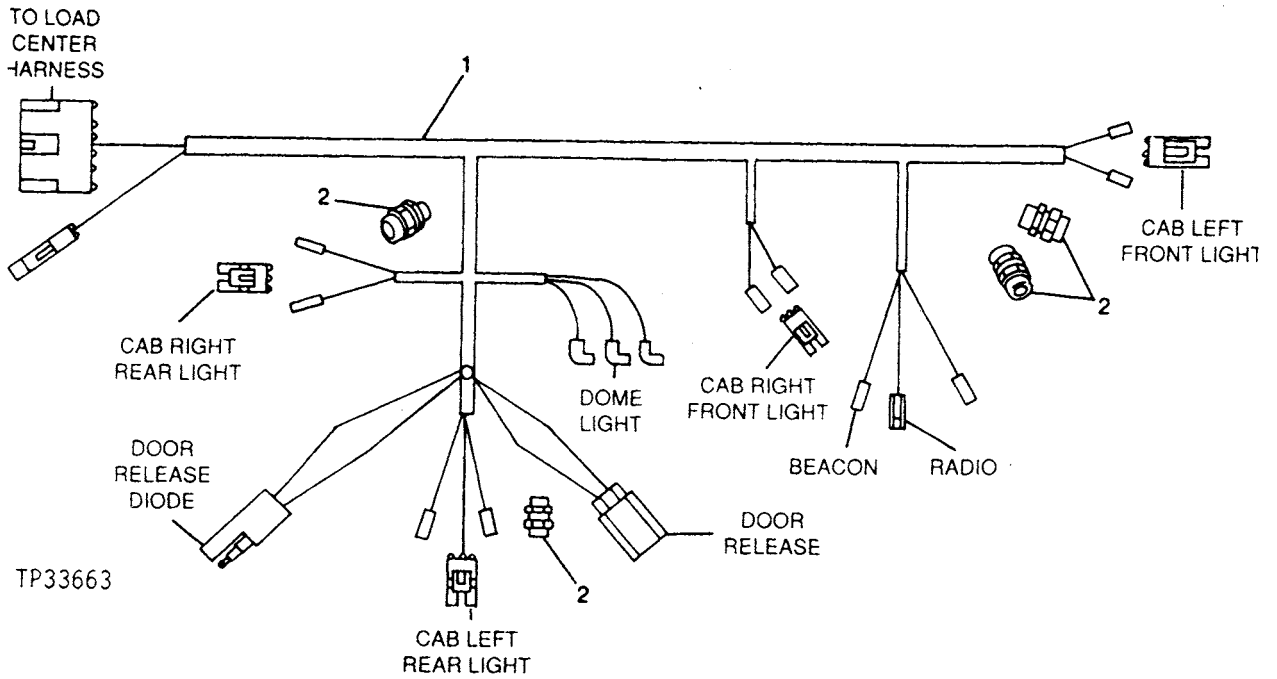
**MEMORANDA**

---

# 2E24

## CAB WORK LIGHT HARNESS

TP33663



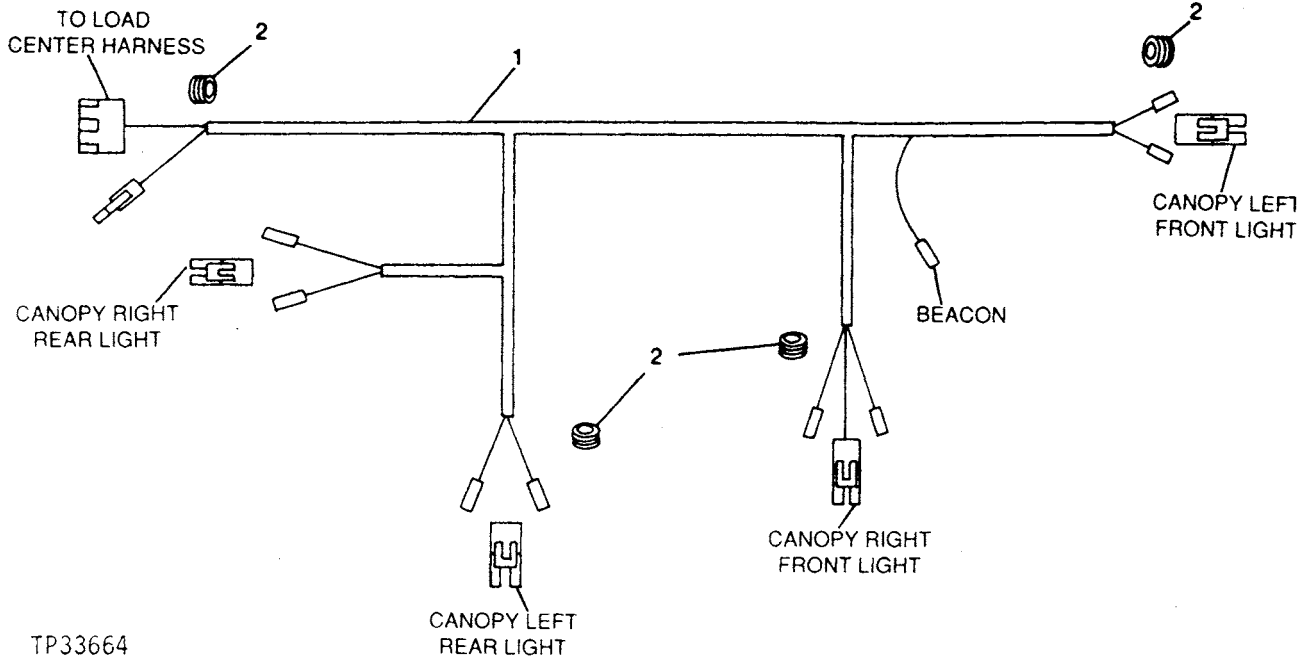
TP33663

KEY	PART NO.	PART NAME	QTY	SERIAL NO.	REMARKS
1	AT149892	WIRING HARNESS	1		
2	AT135542	GROMMET	4		

# 2E25

## CANOPY WORK LIGHT HARNESS

TP33664



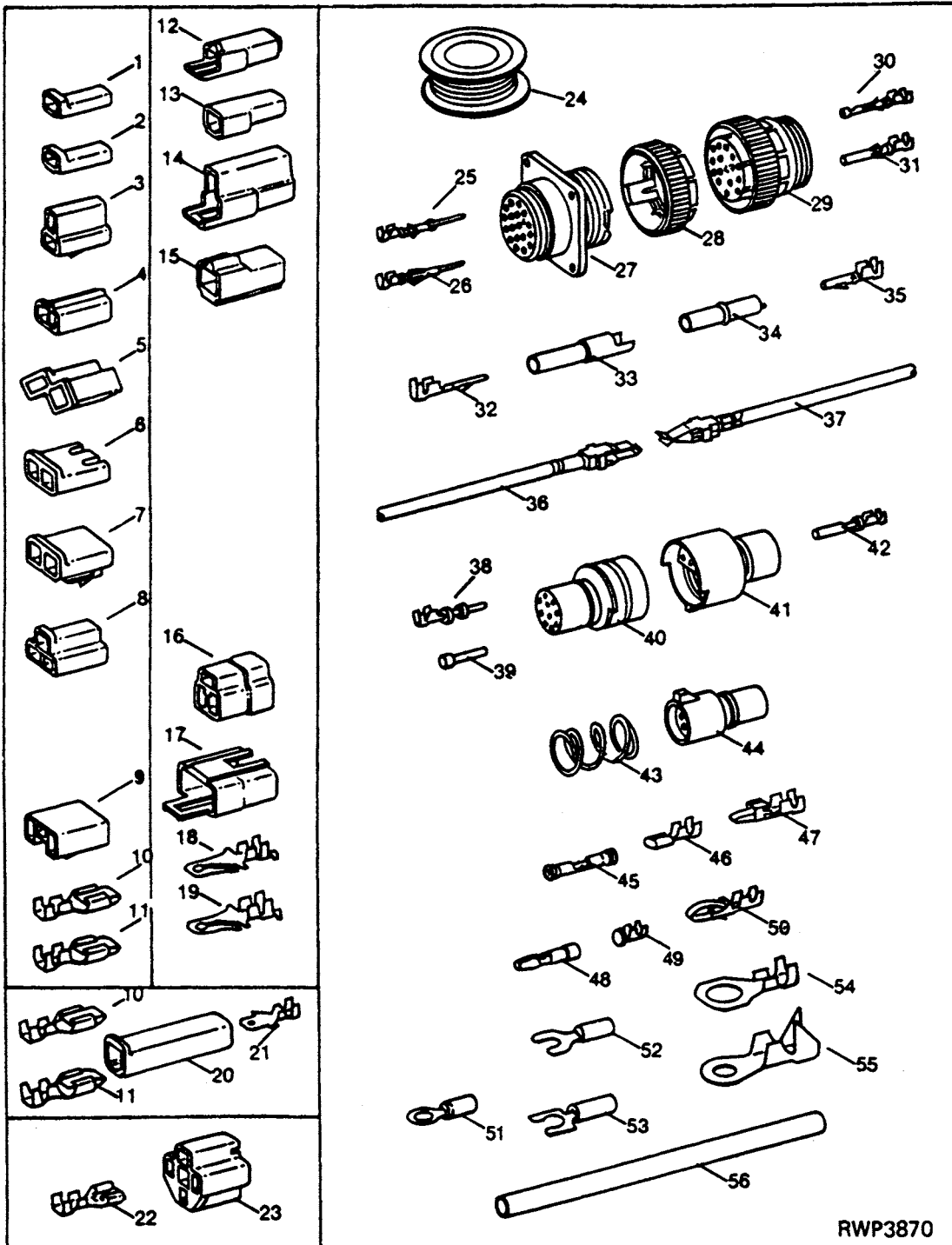
TP33664

KEY	PART NO.	PART NAME	QTY	SERIAL NO.	REMARKS
1	AT157141	WIRING HARNESS	1		
2	R27180	GROMMET	4		

# 2F01

## WIRE LEAD KIT

RWP3870



RWP3870

# 2F02

ELECTRICAL SYSTEM 16

WIRING HARNESS AND SWITCHES 1674

## WIRE LEAD KIT

KEY	PART NO.	PART NAME	QTY	TRACTOR SERIAL NO.	REMARKS
1	T28583	RECEPTACLE	1		(B)
2	M43835	FLAT CONNECTOR	1		(B)
3	R77476	CONNECTOR	1		(A)
4	R77477	CONNECTOR	1		(A)
5	R77479	CONNECTOR	1		(A)
6	R77480	CONNECTOR	1		(A)
7	R77481	CONNECTOR	1		(A)
8	R77482	CONNECTOR	1		
9	H104855	CONNECTOR	1		
10	U46662	TERMINAL	1		(E) (F)
11	N115096	TERMINAL	1		(G) (PKG. OF 15)
12	T28585	TERMINAL	1		(B)
13	R77475	CONNECTOR	1		(B)
14	T28586	CONNECTOR	1		(A)
15	R77478	CONNECTOR	1		(A)
16	R77483	CONNECTOR	1		
17	R48887	RECEPTACLE	1		
18	T34067	TERMINAL	1		(E) (F)
19	R77484	TERMINAL	1		(G) (PKG. OF 15)
20	U46370	CONNECTOR	1		(B)
21	R77485	TAB	1		(C) (F)
22	R77486	TERMINAL	1		(E) (F)
23	R77487	CONNECTOR	1		(B)
24	R66321	WIRING LEAD	1		15M (50 FT.) 10 GA.
	R66320	WIRING LEAD	1		30.5M (100 FT.) 12 GA.
	R77501	WIRE	1		30.5M (100 FT.) 14 GA.
	R77500	WIRE	1		30.5M (100 FT.) 16 GA.
	R77499	WIRE	1		30.5M (100 FT.) 18 GA.
	R77498	WIRE	1		30.5M (100 FT.) 20 GA.
25	R77462	PIN CONTACT	1		(PKG. OF 40) (20-22 OR 24 GA. WIRE)
26	R77464	PIN CONTACT	1		(H) (PKG. OF 50)
27	R77456	RECEPTACLE	1		(37 WAY)
28	R77458	CONNECTOR	1		(A) (SIZE 23)
	R77459	CONNECTOR	1		(A) (SIZE 17)
	R77460	CONNECTOR	1		(A) (SIZE 13)
	R77461	CONNECTOR	1		(A) (SIZE 11)
29	R77457	ELECTRICAL PLUG	1		(37 WAY)
30	R77463	SOCKET CONTACT	1		(PKG. OF 40) (20-22 OR 24 GA. WIRE)
31	R77465	SOCKET CONTACT	1		(H) (PKG. OF 50)
32	R77468	TERMINAL	1		(PKG. OF 5)
33	R77466	CONNECTOR	1		(A)
34	R77467	CONNECTOR	1		(A)

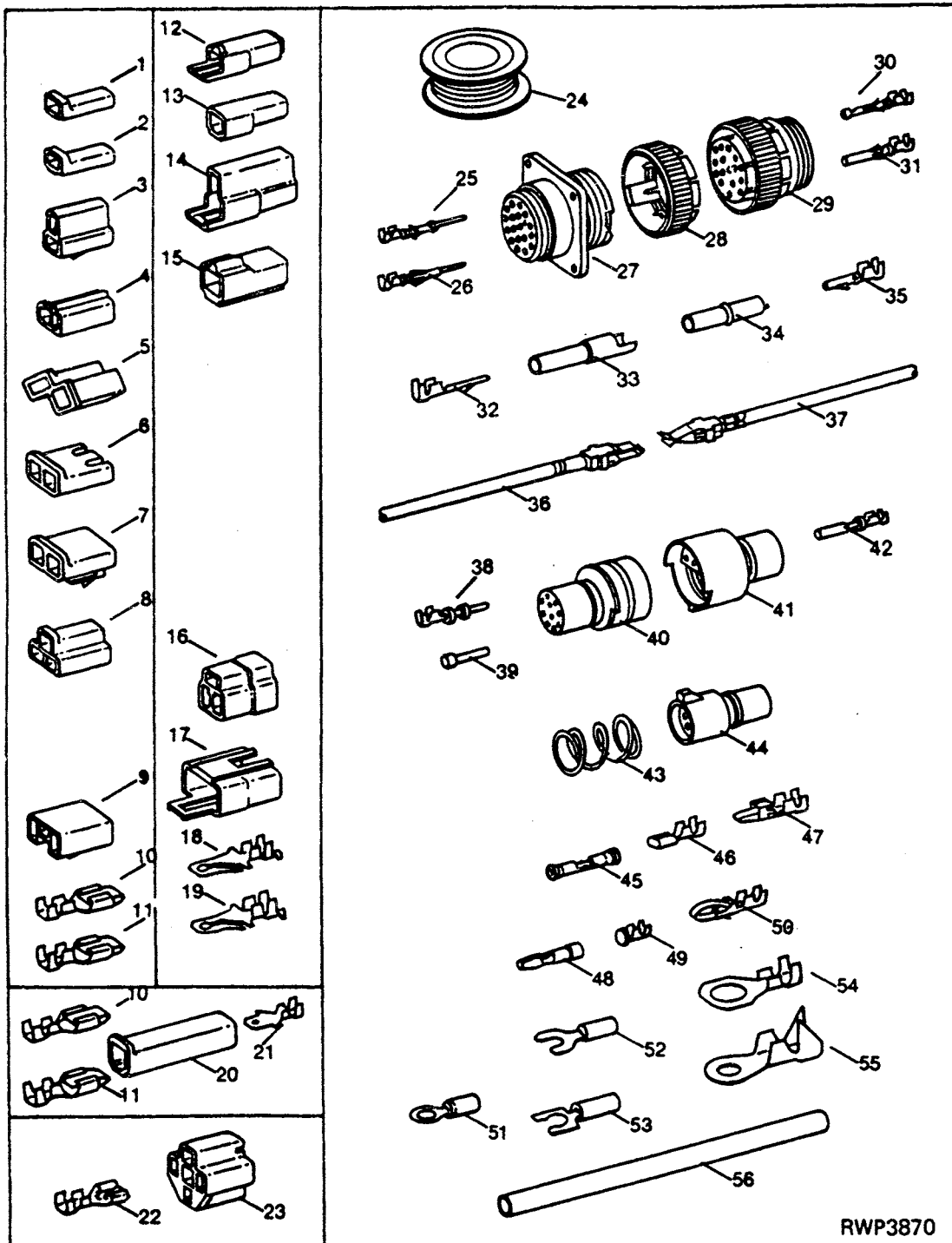
- (A) PKG. OF 2
- (B) PKG. OF 3
- (C) PKG. OF 10
- (D) PKG. OF 20
- (E) PKG. OF 25
- (F) 14 OR 16 GA. WIRE
- (G) 10 OR 12 GA. WIRE
- (H) 14-16 OR 18 GA. WIRE



# 2F03

## WIRE LEAD KIT

RWP3870



# 2F04

ELECTRICAL SYSTEM 16

WIRING HARNESS AND SWITCHES 1674

## WIRE LEAD KIT

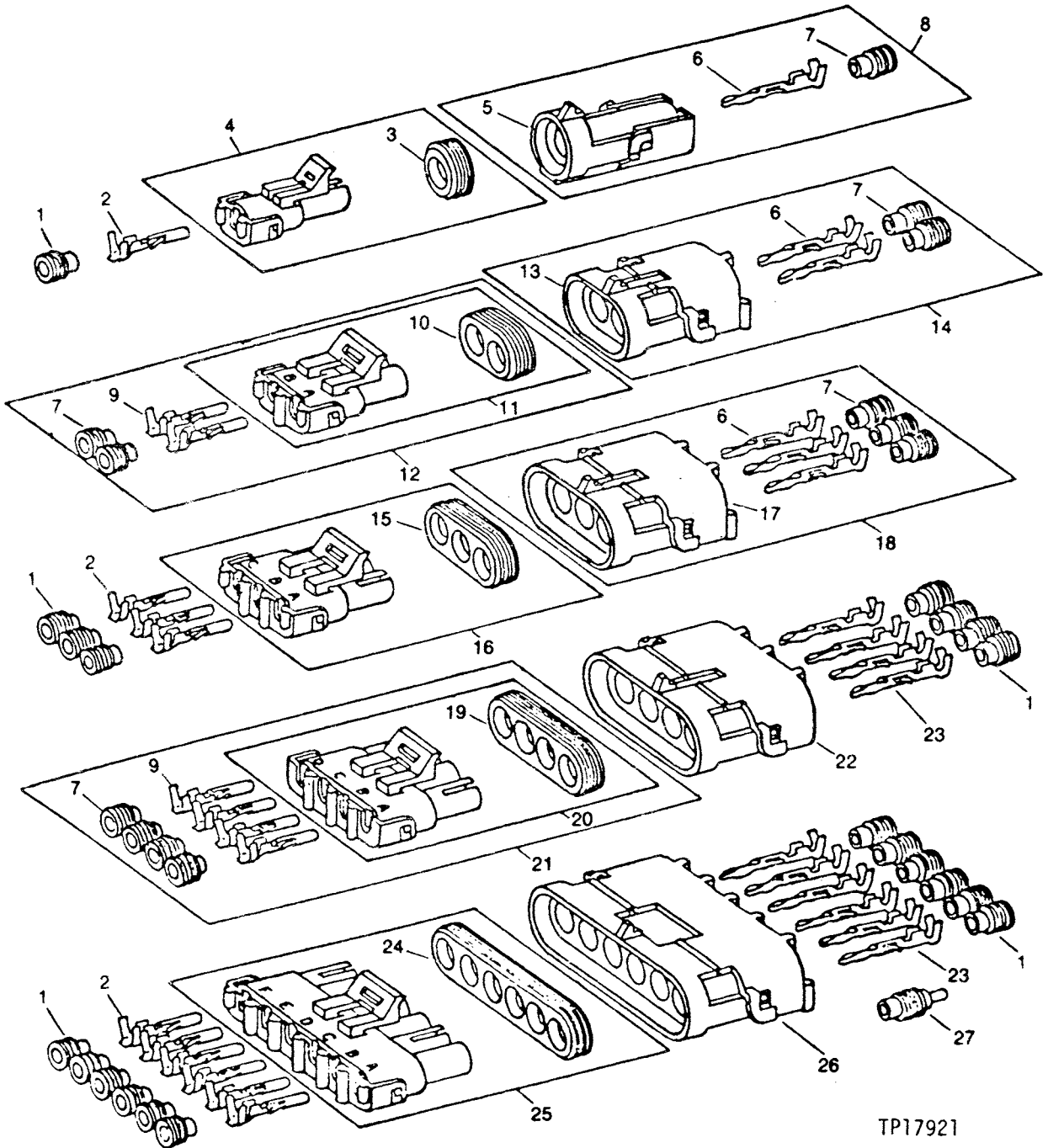
KEY	PART NO.	PART NAME	QTY	TRACTOR SERIAL NO.	REMARKS
35	R77469	TERMINAL	1		(PKG. OF 5)
36	RE11156	TERMINAL	1		(B) (MALE)
37	RE11157	TERMINAL	1		(B) (FEMALE)
38	R70222	PIN CONTACT	1		(D) (H)
39	R70221	ELECTRICAL PLUG	1		(E)
40	R70219	PLUG	1		(A) (10 WAY)
	R70217	PLUG	1		(A) (7 WAY)
	R70215	PLUG	1		(A) (4 WAY)
	R70213	PLUG	1		(A) (3 WAY)
	R70211	CONNECTOR	1		(A) (2 WAY)
41	R70218	RECEPTACLE	1		(A) (10 WAY)
	R70216	RECEPTACLE	1		(A) (7 WAY)
	R70214	RECEPTACLE	1		(A) (4 WAY)
	R70212	RECEPTACLE	1		(A) (3 WAY)
	R70210	RECEPTACLE	1		(A) (2 WAY)
42	AR91793	SOCKET CONTACT	1		(D)
43	R30378	SPRING	1		(C)
44	R77474	CONNECTOR	1		(A) (6 WAY)
45	R77470	TERMINAL	1		SPLICE (PKG. OF 15) (16-18-20 OR 22 GA. WIRE)
	R77471	TERMINAL	1		(C) (G) SPLICE
	R77472	TERMINAL	1		(A) SPLICE (8 GA. WIRE)
	R77473	TERMINAL	1		(A) SPLICE (6 GA. WIRE)
46	R65607	TERMINAL	1		(C) (18 OR 20 GA. WIRE)
47	U46664	TERMINAL	1		(C) (F)
48	R32026	TERMINAL	1		(D) (F)
49	R65602	CONTACT	1		(C) (16 OR 18 GA. WIRE)
50	R70220	TERMINAL	1		(C) (18 OR 20 GA. WIRE)
51	R77489	TERMINAL	1		(D) (14-16-18 OR 20 GA. WIRE) (NO. 10 EYELET)
	R77493	TERMINAL	1		(D) (G) (NO. 10 EYELET)
	R77488	TERMINAL	1		(D) (14-16-18 OR 20 GA. WIRE) (3/8" EYELET)
	R77490	TERMINAL	1		(D) (G) (1/2" EYELET)
52	R77496	TERMINAL	1		(D) (F) (NO. 8 SPADE)
	R77495	TERMINAL	1		(D) (18 GA. WIRE) (NO. 10 SPADE)
53	R77497	TERMINAL	1		(D) (F) (NO. 6 SPADE)
54	R77491	TERMINAL	1		(D) (G) (3/8" EYELET)
	R77492	TERMINAL	1		(D) (G) (1/4" EYELET)
55	R77494	TERMINAL	1		(D) (6 OR 8 GA. WIRE) (1/4" EYELET)
56	R77502	TUBE	1		(PKG. OF 8) 3/8" (HEAT SHRINK)
	R77503	TUBE	1		(PKG. OF 8) 3/16" (HEAT SHRINK)
57	RE11154	KIT	1		

- (A) PKG. OF 2
- (B) PKG. OF 3
- (C) PKG. OF 10
- (D) PKG. OF 20
- (E) PKG. OF 25
- (F) 14 OR 16 GA. WIRE
- (G) 10 OR 12 GA. WIRE
- (H) 14-16 OR 18 GA. WIRE

# 2F05

## WEATHERPACK TERMINALS AND CONNECTORS

TP17921



TP17921

# 2F06

ELECTRICAL SYSTEM 16

WIRING HARNESS AND SWITCHES 1674

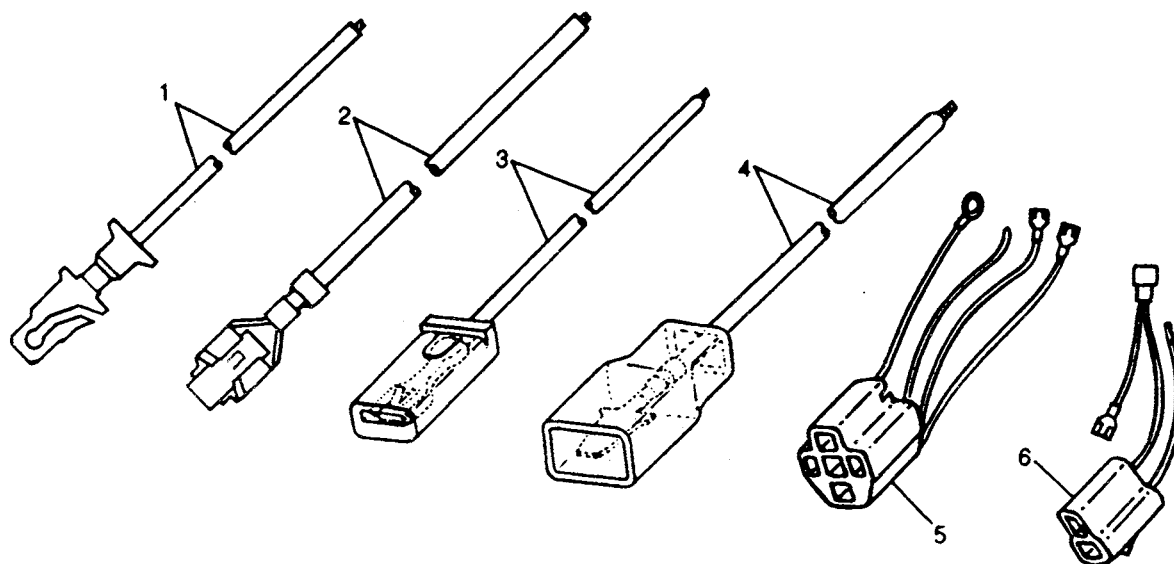
## WEATHERPACK TERMINALS AND CONNECTORS

KEY	PART NO.	PART NAME	QTY	SERIAL NO.	REMARKS
1	R78063	TERMINAL NIPPLE	1		(PKG. OF 40) (16 GA. WIRE) (GRAY)
	R78059	TERMINAL NIPPLE	1		(PKG. OF 40) (18 OR 20 GA. WIRE) (GREEN)
	R78062	TERMINAL NIPPLE	1		(PKG. OF 40) (14 GA. WIRE) (BLUE)
2	R78057	SOCKET CONTACT	1		(PKG. OF 40) (18 OR 20 GA. WIRE) (NO. 19)
	R78060	SOCKET CONTACT	1		(PKG. OF 40) (14 OR 16 GA. WIRE) (NO. 15)
3	R78047	SEAL	1		(PKG. OF 5)
4	RE12362	CONNECTOR	1		(PKG. OF 3)
5	R78052	CONNECTOR	1		(PKG. OF 3)
6	R78061	PIN CONTACT	1		(PKG. OF 40) (14 OR 16 GA. WIRE) (NO. 15)
7	R78063	TERMINAL NIPPLE	1		(PKG. OF 40) (16 GA. WIRE) (GRAY)
8	RE12334	CONNECTOR	1		
9	R78060	SOCKET CONTACT	1		(PKG. OF 40) (14 OR 16 GA. WIRE) (NO. 15)
10	R78048	TERMINAL NIPPLE	1		(PKG. OF 5)
11	RE12363	CONNECTOR	1		(PKG. OF 3)
12	RE12331	CONNECTOR	1		
13	R78053	CONNECTOR	1		(PKG. OF 3)
14	RE12330	CONNECTOR	1		
15	R78049	SEAL	1		(PKG. OF 5)
16	RE12364	CONNECTOR	1		(PKG. OF 3)
17	R78054	CONNECTOR	1		(PKG. OF 3)
18	RE12332	CONNECTOR	1		
19	R78050	SEAL	1		(PKG. OF 5)
20	RE12365	CONNECTOR	1		(PKG. OF 2)
21	RE12333	CONNECTOR	1		
22	R78055	CONNECTOR	1		(PKG. OF 2)
23	R78061	PIN CONTACT	1		(PKG. OF 40) (14 OR 16 GA. WIRE) (NO. 15)
	R78058	PIN CONTACT	1		(PKG. OF 40) (18 OR 20 GA. WIRE) (NO. 19)
24	R78051	SEAL	1		(PKG. OF 5)
25	RE12366	CONNECTOR	1		(PKG. OF 2)
26	R78056	CONNECTOR	1		(PKG. OF 2)
27	R78064	TERMINAL NIPPLE	1		(PKG. OF 40)

# 2F07

WIRING HARNESS AND SWITCHES 1674  
**SUPPLEMENTARY TERMINALS, CONNECTORS AND REPAIR CONDUIT**

TP24539



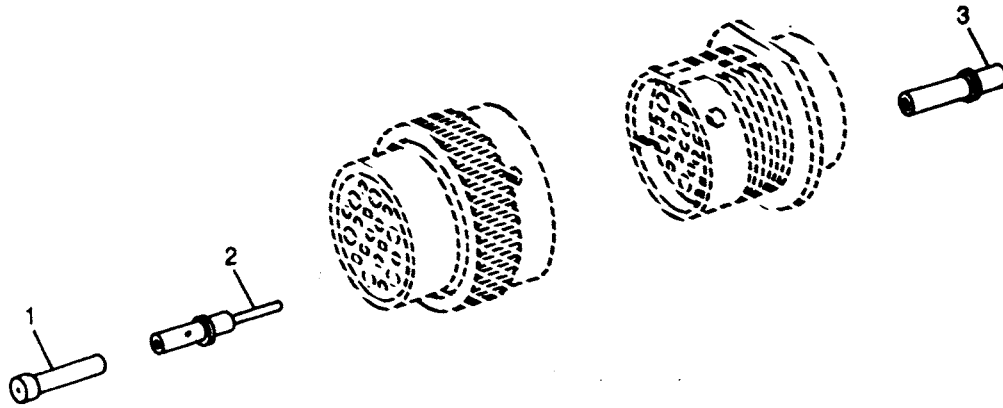
TP24539

KEY	PART NO.	PART NAME	QTY	SERIAL NO.	REMARKS
1	AR65005	TERMINAL	1		
2	AR65006	TERMINAL	1		
3	R32024	WIRING LEAD	1		
4	R32025	WIRING LEAD	1		
5	RE21730	TERMINAL	1		(ILLUSTRATED)
	RE21731	TERMINAL	1		
6	RE21732	TERMINAL	1		
	R93219	CONDUIT	1		0.3 X 3048 MM (1/4" X 120")
	R93220	CONDUIT	1		10.4 X 2048 MM (13/32" X 120")
	R93221	CONDUIT	1		15.9 X 3048 MM (5/8" X 120")
	R93222	CONDUIT	1		25.4 X 3048 MM (1" X 120")

# 2F08

## DEUTSCH TERMINALS

TP24540



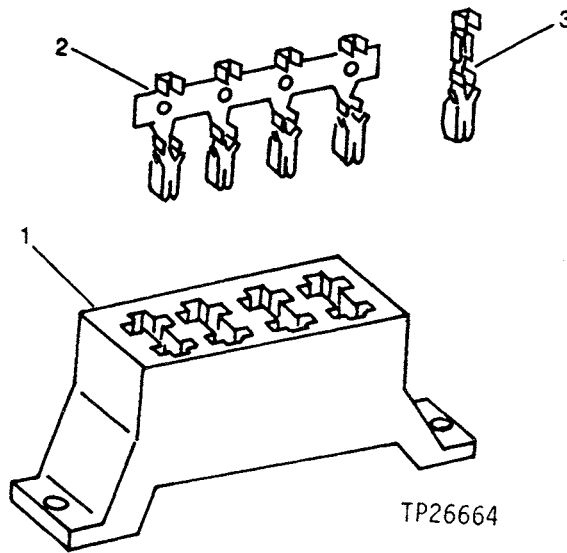
TP24540

KEY	PART NO.	PART NAME	QTY	SERIAL NO.	REMARKS
1	R78069	TERMINAL NIPPLE	1		(PKG OF 40)
2	R78066	PIN CONTACT	1		(PKG OF 40) (16 OR 18 GA WIRE)
3	R78065	SOCKET CONTACT	1		(PKG OF 40) (16 OR 18 GA WIRE)

# 2F09

## STACKABLE AUTO FUSE HOLDER AND TERMINALS (PACK-CON III)

TP26664

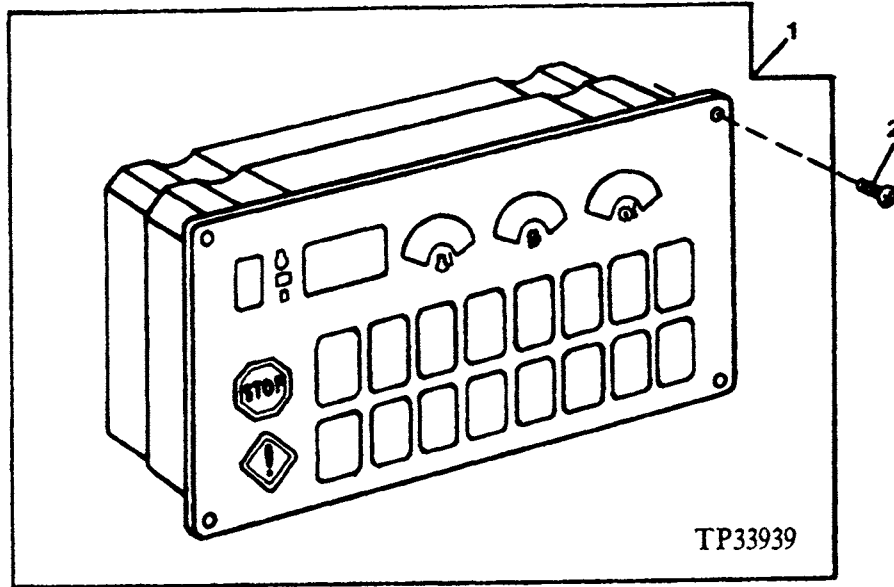


KEY	PART NO.	PART NAME	QTY	SERIAL NO.	REMARKS
1	T126786	FUSE HOLDER	AR		
2	T126787	TERMINAL	AR		
3	T126788	TERMINAL	AR		

# 2F10

## MONITOR (SIXTEEN FUNCTION)

TP33939



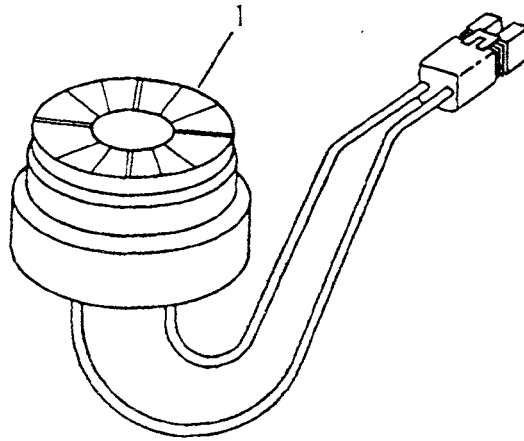
KEY	PART NO.	PART NAME	QTY	SERIAL NO.	REMARKS
1	AT159987	MONITOR CONSOLE	1		
	R80157	GASKET	1		
	T145422	LAMP	18		
	T145425	LAMP	2		
	T146066	SCREW	19		(CIRCUIT BOARDS TO FRONT AND REAR HOUSINGS)
	T146067	SCREW	4		(FRONT HOUSING TO REAR HOUSING)
	T145602	GASKET	1		(BETWEEN MONITOR AND FRONT DASH)
2	T82791	SCREW	4		(MONITOR TO SUPPORT HOUSING)



# 2F11

## MONITOR ALARM

TP33938



TP33938

KEY	PART NO.	PART NAME	QTY	SERIAL NO.	REMARKS
1	AT160480	HORN	1		

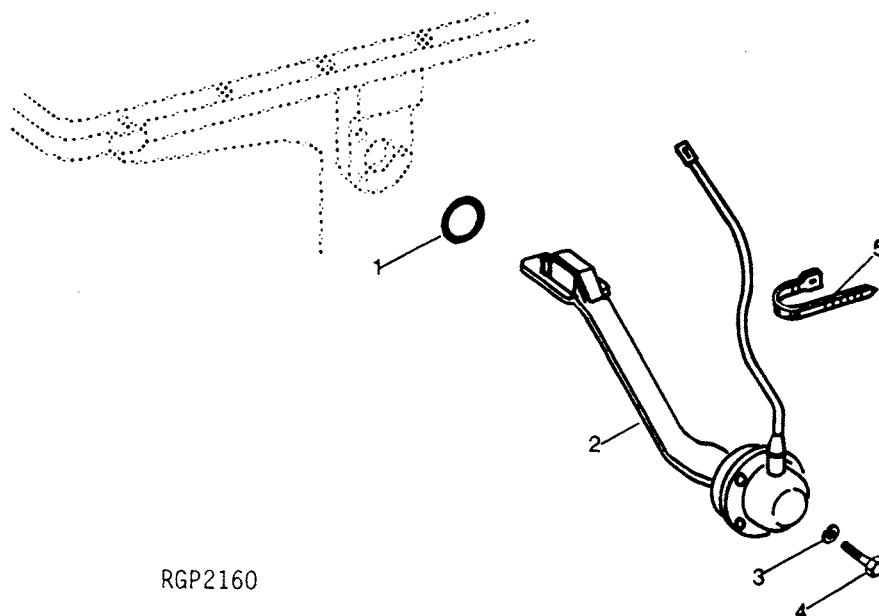
# 2F12

ELECTRICAL SYSTEM 16

INSTRUMENTS AND INDICATORS 1676

## OIL LEVEL SENSOR

RGP2160

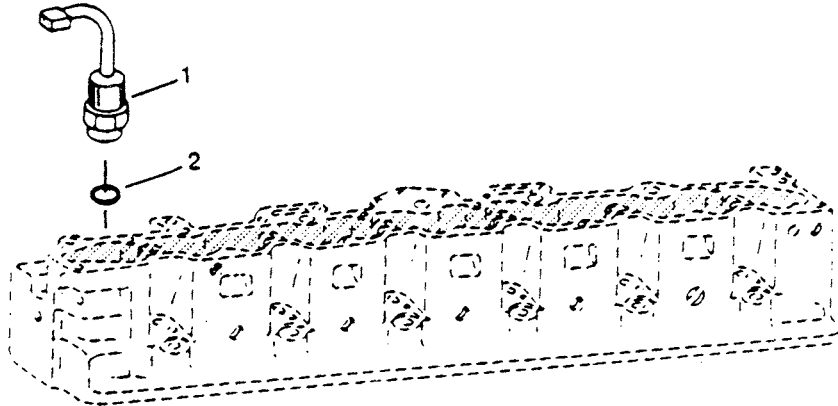


KEY	PART NO.	PART NAME	QTY	ENGINE SERIAL NO.	REMARKS
1	R47154	O-RING	1		
2	RE16223	SENSOR	1		
3	12M7006	LOCK WASHER	3		
4	19M7077	CAP SCREW	3		
5	R44302	TIE BAND	1		

# 2F13

## ENGINE TEMPERATURE SWITCH SENSOR

RGP3534



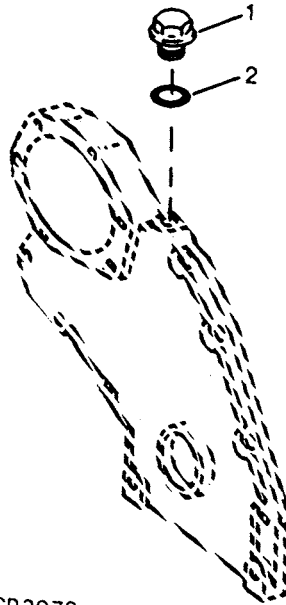
RGP3534

KEY	PART NO.	PART NAME	QTY	ENGINE SERIAL NO.	REMARKS
1	AH121234	SWITCH	1		
2	R76337	WASHER	1		
..	57M7306	CONNECTOR	1		
..	57M7309	CONNECTOR	1		

# 2F14

RGP3879

## MAGNETIC PICK-UP



RGP3879

KEY	PART NO.	PART NAME	QTY	ENGINE SERIAL NO.	REMARKS
1	R101085	DRAIN PLUG	1		
2	R54856	O-RING	1		

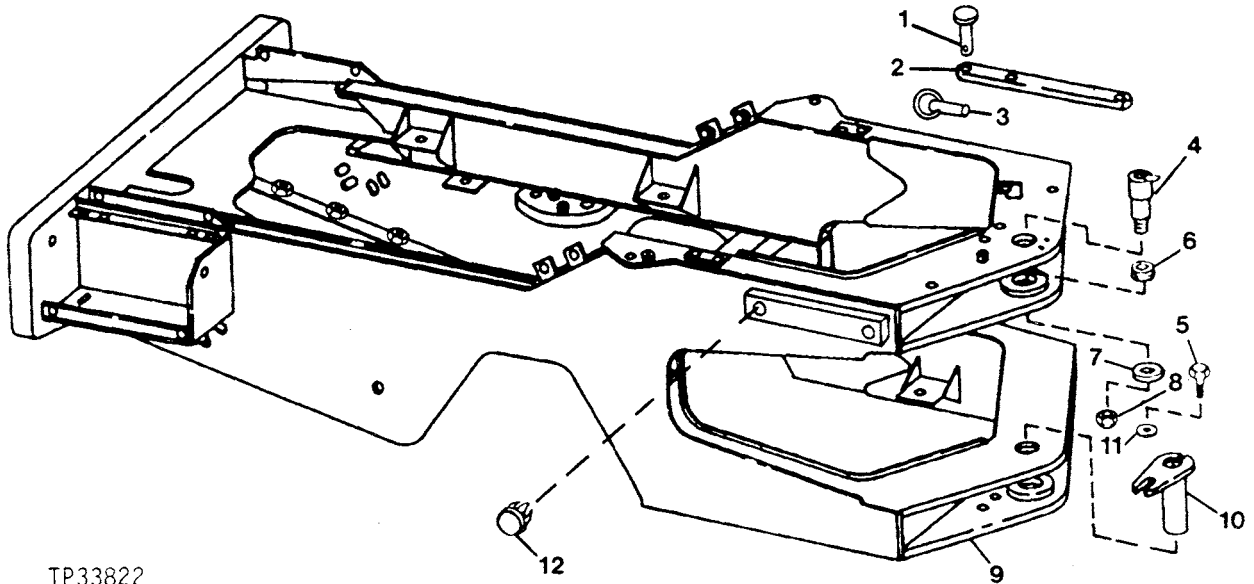
# 2F16

FRAME, CHASSIS OR SUPPORTING STRUCTURE 17

FRAME INSTALLATION 1740

## ENGINE FRAME

TP33822



TP33822

KEY	PART NO.	PART NAME	QTY	SERIAL NO.	REMARKS
1	R53296	PIN	2		
2	T102088	STRAP	1		
3	AA21292	QUICK LOCK PIN	2		
4	AT150633	PIN	1		
5	19M8029	CAP SCREW	1		M16 X 30
6	T101391	LOCKING COLLAR	1		
7	T139919	RETAINER	1		
8	T27294	LOCK NUT	1		
9	AT149952	FRAME	1		CONVENIENCE ASSEMBLY
10	AT149417	PIN	1		
11	T146246	WASHER	1		0.657" X 2.248" X 0.256"
12	H113924	PLUG	8		

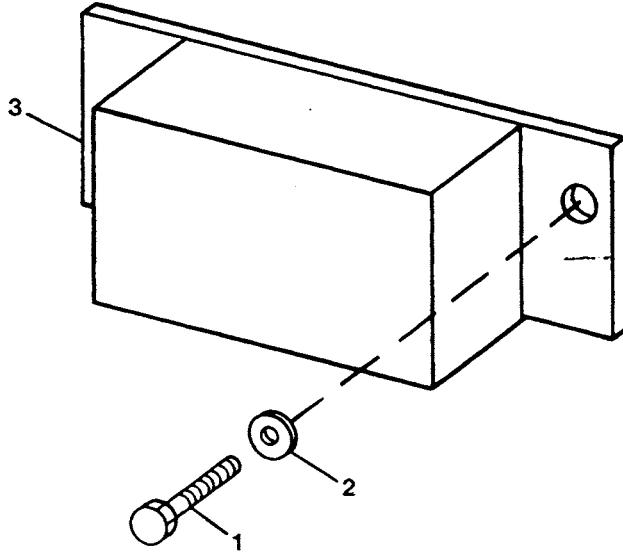
# 2F17

FRAME, CHASSIS OR SUPPORTING STRUCTURE 17

FRAME INSTALLATION 1740

## STEERING CUSHION

TP33827



TP33827

KEY	PART NO.	PART NAME	QTY	SERIAL NO.	REMARKS
1	19M8011	CAP SCREW	2		M12 X 30
2	24M7240	WASHER	2		13 X 25 X 3 MM
3	AT143577	BUMPER	1		

**MEMORANDA**

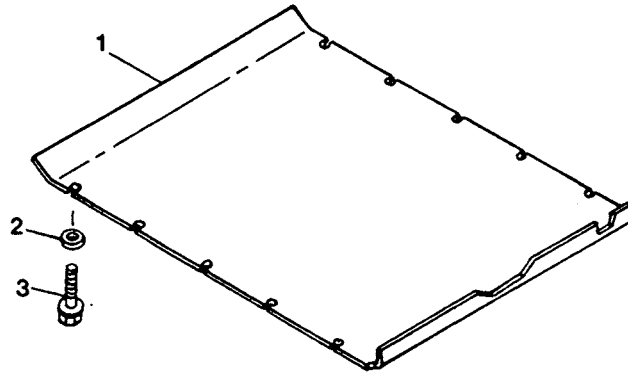
# 2F18

FRAME, CHASSIS OR SUPPORTING STRUCTURE 17

## REAR BOTTOM GUARD

FRAME BOTTOM GUARDS 1746

TP33703



TP33703

KEY	PART NO.	PART NAME	QTY	SERIAL NO.	REMARKS
1	T140582	GUARD	1		
2	T29342	WASHER	10		
3	19M7791	SCREW	10		M12 X 40



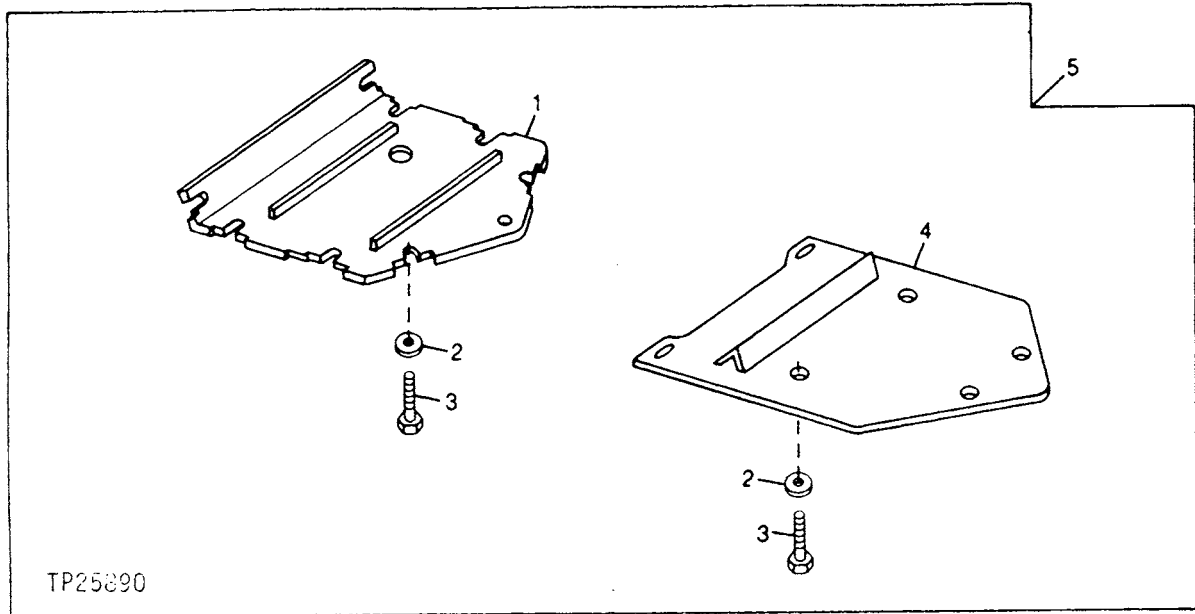
# 2F19

FRAME, CHASSIS OR SUPPORTING STRUCTURE 17

FRAME BOTTOM GUARDS 1746

## AUXILIARY BOTTOM GUARD

TP25890



KEY	PART NO.	PART NAME	QTY	SERIAL NO.	REMARKS
1	AT157662	GUARD	1		REAR, BOTTOM TRANSMISSION
2	T29342	WASHER	12		
3	19M7791	SCREW	12		M12 X 40
4	AT103249	GUARD	1		FRONT
5	AT157556	ATTACH.-BUNDLE IDENTIFIER	1		<b>ALSO INCLUDES (6) T101635 MOUNTING BLOCKS</b>

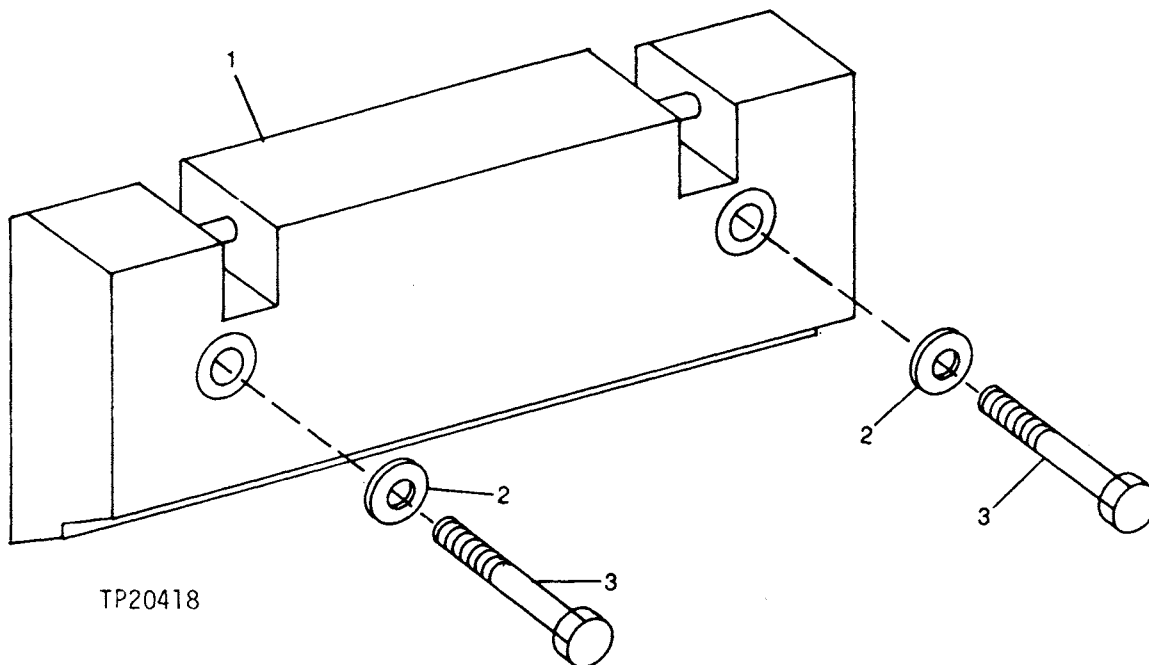
# 2F20

FRAME, CHASSIS OR SUPPORTING STRUCTURE 17

## INSIDE COUNTERWEIGHT

CHASSIS WEIGHTS 1749

TP20418



KEY	PART NO.	PART NAME	QTY	SERIAL NO.	REMARKS
1	T143183	COUNTERWEIGHT	1		752 LBS (341 KG)
2	T108427	WASHER	2		0.994" X 2.165" X 0.374"
3	19M8033	CAP SCREW	2		M24 X 200

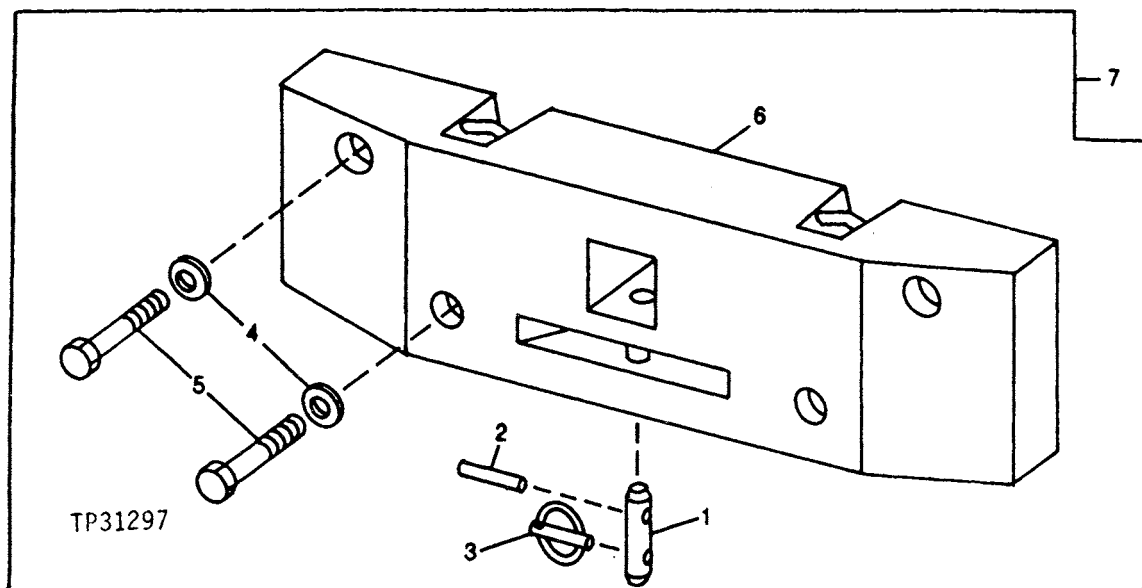
# 2F21

FRAME, CHASSIS OR SUPPORTING STRUCTURE 17

CHASSIS WEIGHTS 1749

## COUNTERWEIGHT AND ATTACHING HARDWARE

TP31297



KEY	PART NO.	PART NAME	QTY	SERIAL NO.	REMARKS
1	T145979	PIN	1		
2	34H357	SPRING PIN	1		3/8" X 2-1/2"
3	AR83396	QUICK LOCK PIN	1		
4	T108427	WASHER	4		0.994" X 2.165" X 0.374"
5	19M7782	CAP SCREW	4		M24 X 180
6	T143322	COUNTERWEIGHT	1		(CONVENIENCE ASSY) 2117 LBS (960 KG)
7	<b>AT150110</b>	<b>COUNTERWEIGHT</b>	1		<b>2110 LBS (957 KG)</b>

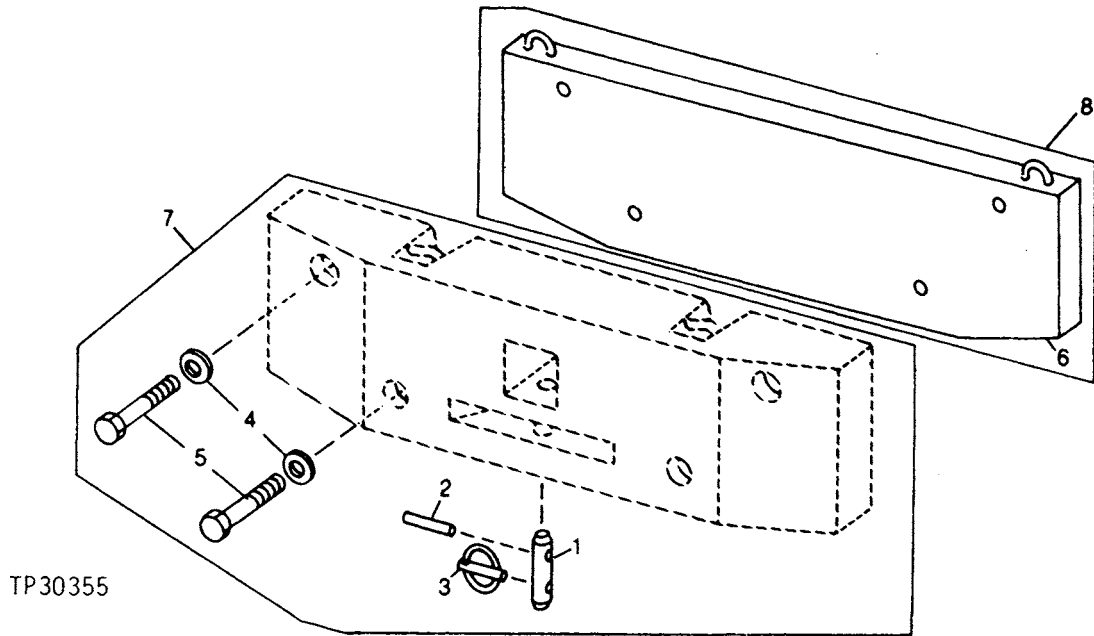
# 2F22

FRAME, CHASSIS OR SUPPORTING STRUCTURE 17

CHASSIS WEIGHTS 1749

## SECOND COUNTERWEIGHT AND ATTACHING HARDWARE

TP30355



KEY	PART NO.	PART NAME	QTY	SERIAL NO.	REMARKS
1	T145979	PIN	1		
2	34H357	SPRING PIN	1		3/8" X 2-1/2"
3	AR83396	QUICK LOCK PIN	1		
4	T108427	WASHER	4		0.994" X 2.165" X 0.374"
5	19M8111	CAP SCREW	4		M24 X 280
6	AT158140	COUNTERWEIGHT	1		(CONVENIENCE ASSY) 1295 LBS (587 KG)
7	<b>AT150110</b>	<b>COUNTERWEIGHT</b>	1		<b>2110 LBS (957 KG)</b>
8	<b>AT157839</b>	<b>COUNTERWEIGHT</b>	1		<b>(INCLUDES (4) T108427 AND (4) 19M8111)</b>

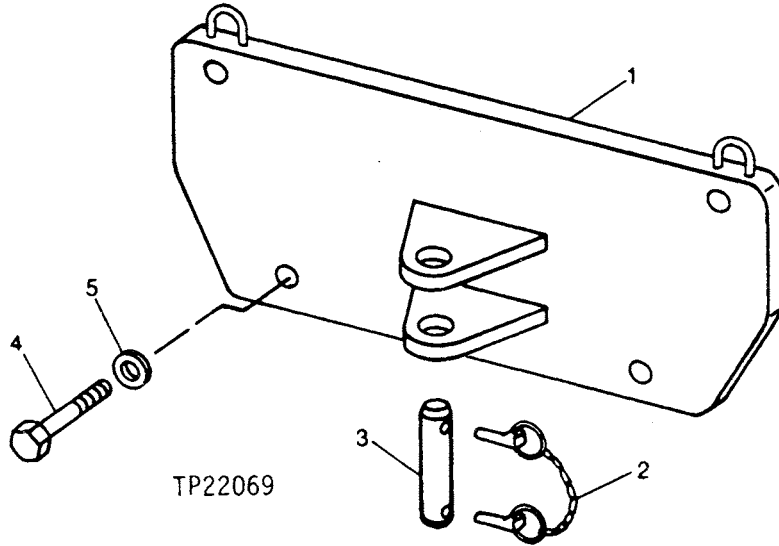
# 2F23

FRAME, CHASSIS OR SUPPORTING STRUCTURE 17

CHASSIS WEIGHTS 1749

## COUNTERWEIGHT WITH DRAWBAR

TP22069



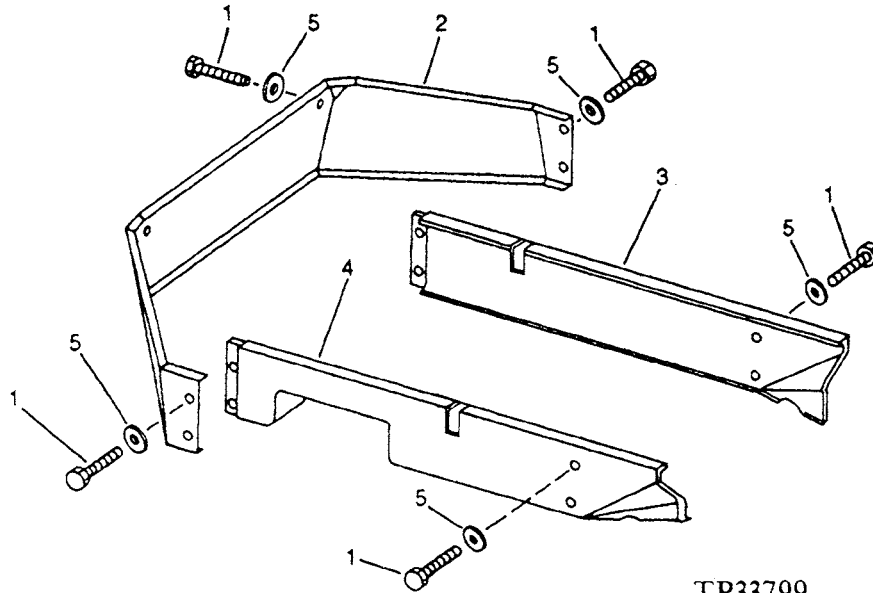
TP22069

KEY	PART NO.	PART NAME	QTY	SERIAL NO.	REMARKS
1	AT102897	COUNTERWEIGHT	1		(CONVENIENCE ASSEMBLY) 1323,5 LBS (600 KG)
2	AT42398	QUICK LOCK PIN	1		
3	T43518	PIN	1		
4	19M7937	CAP SCREW	4		M24 X 140
5	T108427	WASHER	4		0.994" X 2.165" X 0.374"

# 2G04

## CAB SHIELDS

TP33799



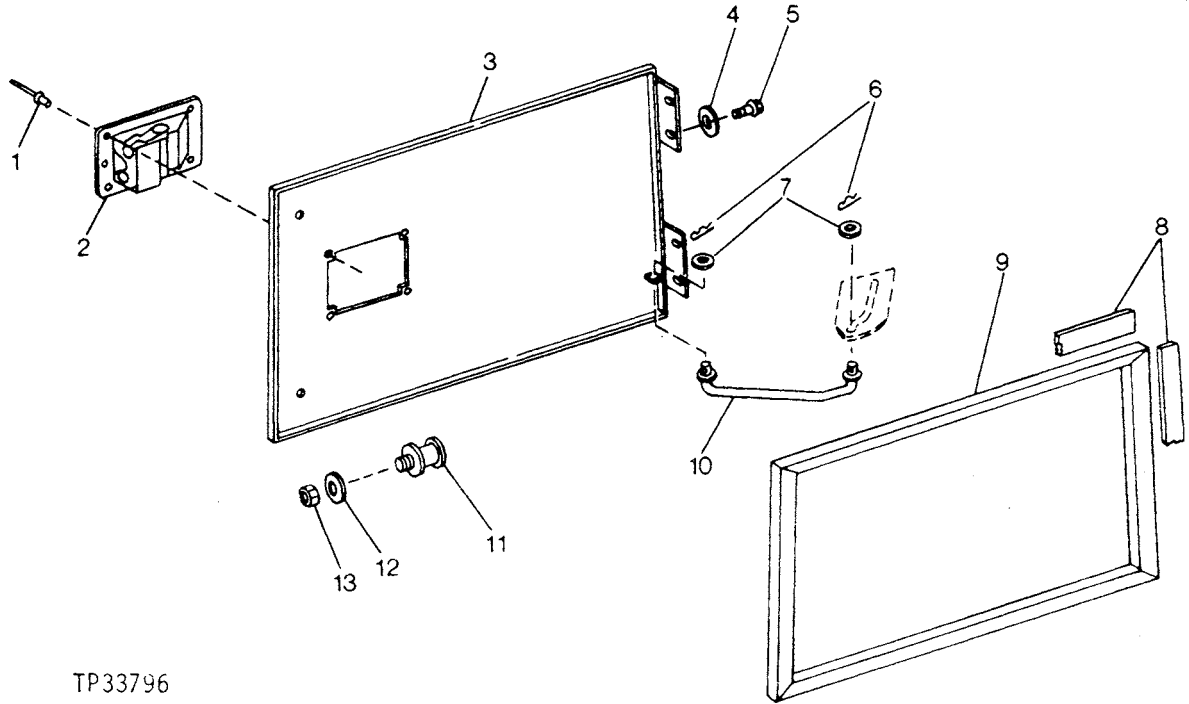
TP33799

KEY	PART NO.	PART NAME	QTY	SERIAL NO.	REMARKS
1	19M7866	SCREW	10		M8 X 20
2	T130394	SHIELD	1		(FRONT)
3	T143164	SHIELD	1		(RIGHT SIDE) WITH REAR FENDERS
4	T143163	DUST SHIELD	1		(RIGHT SIDE)
4	T130395	SHIELD	1		(LEFT SIDE) WITH REAR FENDERS
	T143220	SHIELD	1		(LEFT SIDE)
5	24M7296	WASHER	10		10.500 X 30 X 2.500 MM

# 2G05

TP33796

## ACCESS DOOR (LIMITER AND HOLD-OPEN DEVICE)



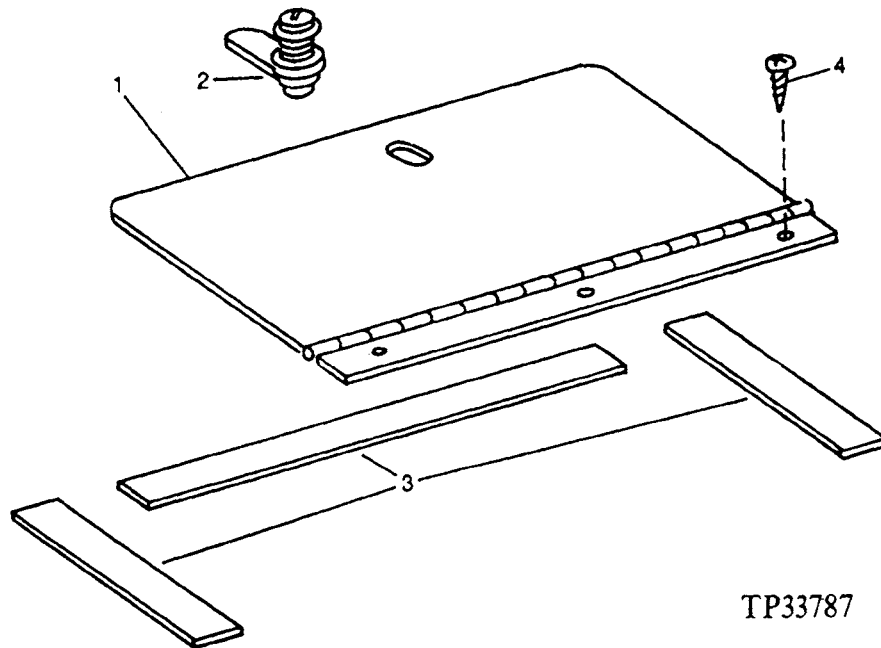
TP33796

KEY	PART NO.	PART NAME	QTY	SERIAL NO.	REMARKS
1	H85233	RIVET	4		
2	AT146694	LATCH	1		
3	AT146698	DOOR	1		
4	24H1308	WASHER	4		13/32" X 1" X 0.134"
5	19M7784	SCREW	4		M10 X 20
6	R46528	SPRING LOCKING PIN	2		
7	24M7233	WASHER	2		10.700 X 21 X 2.500 MM
8	.....	TAPE	AR		(MAKE FROM T119593 BULK MATERIAL, CUT TO LENGTH)
9	AT116973	ISOLATOR	1		ACCESS DOOR
10	AT117089	ROD	1		
11	T119386		1		
12	24M7178	WASHER	1		10.500 X 30 X 2.500 MM
13	T11234	LOCK NUT	1		

# 2G06

## STORAGE COMPARTMENT DOOR

TP33787



TP33787

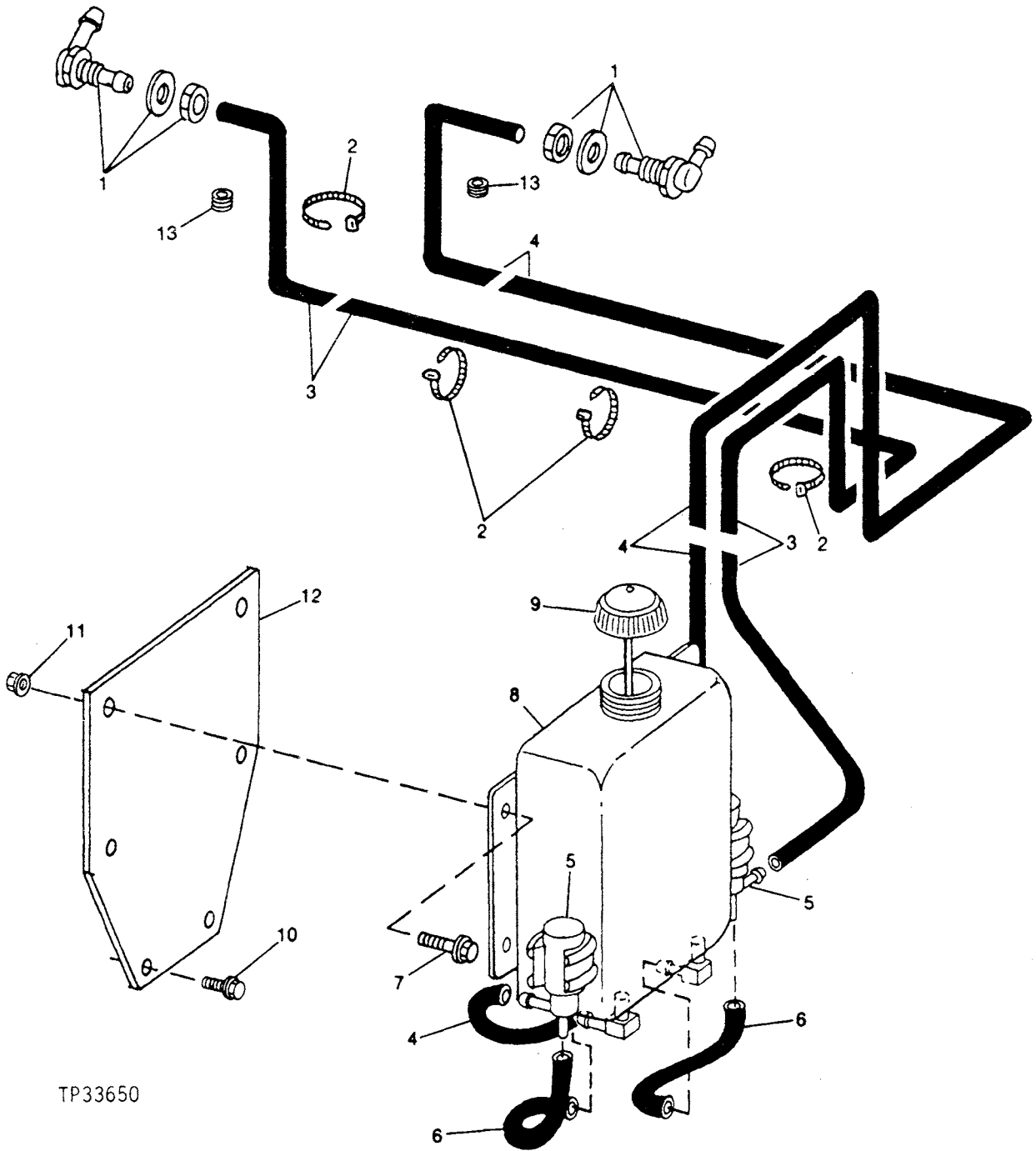
KEY	PART NO.	PART NAME	QTY	SERIAL NO.	REMARKS
1	AT146642	DOOR	1		BELOW SEAT
2	AT53801	LOCK	1		
	12H327	LOCK WASHER	1		3/4"
3	.....	ISOLATOR	AR		(MAKE FROM T66419 BULK MATERIAL, CUT TO LENGTH)
4	21M7278	SCREW	3		M5 X 10



# 2G07

## FRONT AND REAR WINDOW WASHER

TP33650



TP33650

# 2G08

OPERATOR'S STATION 18

OPERATOR ENCLOSURE 1810

## FRONT AND REAR WINDOW WASHER

KEY	PART NO.	PART NAME	QTY	SERIAL NO.	REMARKS
1	AT116970	ELBOW FITTING	2		
2	R44302	TIE BAND	AR		
3	.....	HOSE	1		(MAKE FROM R54445 BULK MATERIAL, CUT TO LENGTH)
4	.....	HOSE	1		(MAKE FROM R54445 BULK MATERIAL, CUT TO LENGTH)
5	AT103577	PUMP	2		
6	.....	HOSE	2		(MAKE FROM R54445 BULK MATERIAL, CUT TO LENGTH)
7	19M7866	SCREW	4		M8 X 20
8	T129505	TANK	1		
9	AT106413	CAP	1		
10	19M7784	SCREW	2		M10 X 20
11	14M7298	FLANGE NUT	4		M8
12	AT90457	PLATE	1		
13	T70154	GROMMET	2		

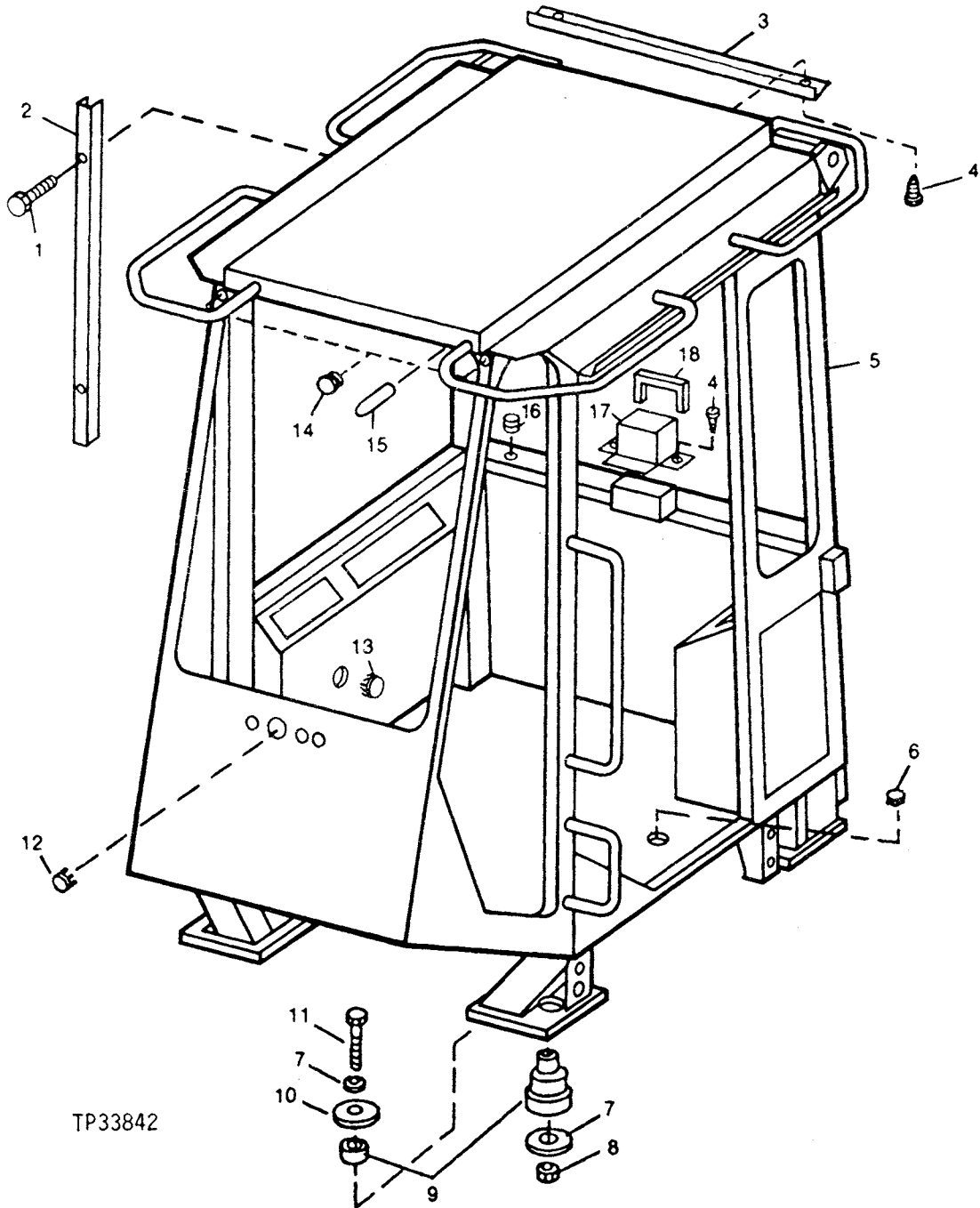
# 2G09

OPERATOR'S STATION 18

OPERATOR ENCLOSURE 1810

CAB

TP33842



# 2G10

OPERATOR'S STATION 18

OPERATOR ENCLOSURE 1810

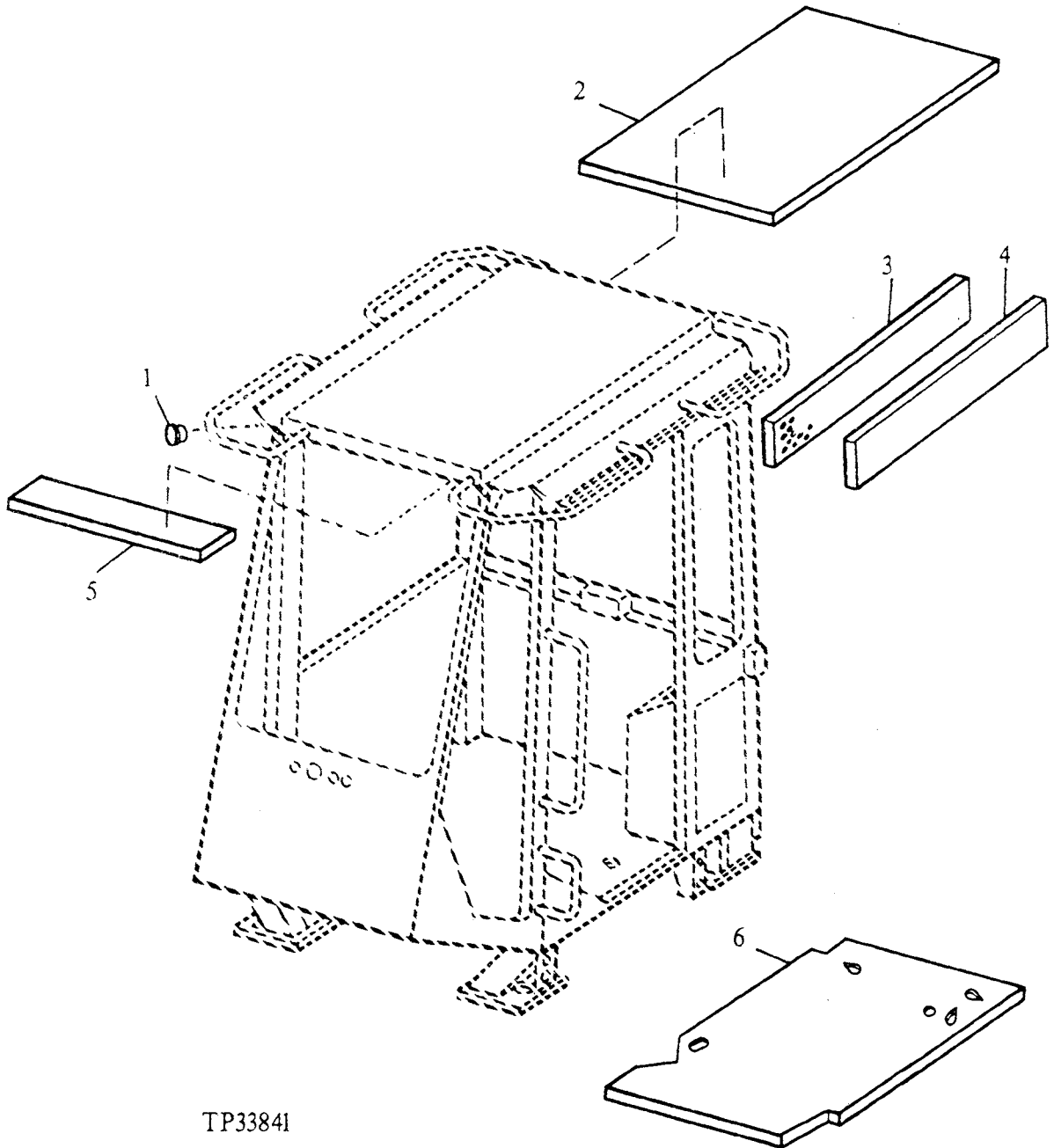
## CAB

KEY	PART NO.	PART NAME	QTY	SERIAL NO.	REMARKS
1	H24710	SCREW	2		
2	T119773	COVER	1		RIGHT REAR ROPS POST
3	AT146685	ANGLE	1		WORK LIGHT HARNESS TO CAB
4	21M7285	SCREW	5		M6 X 12
5	AT150000	CAB	1		ROPS
6	99M7056	PLUG	2		FLOOR DRAIN HOLE AND INSIDE STORAGE COMPARTMENT
7	24M7242	WASHER	8		21.400 X 42 X 5 MM
8	14M7277	NUT	4		M20
9	AT161012	ISOLATOR	4		
10	T101807	WASHER	4		
11	19M7968	CAP SCREW	4		M20 X 130
12	H86832	PLUG	1		
13	T101108	PLUG	1		
14	T69660	PLUG	5		RADIO ANTENNA AND WORK LIGHT HOLES
15	T137790	COVER	2		
16	H81678	GROMMET	1		
17	T119445	COVER	1		
18	.....	ISOLATOR	AR		(MAKE FROM T61863 BULK MATERIAL, CUT TO LENGTH)

# 2G11

## CAB ISOLATORS

TP33841



TP33841

# 2G12

OPERATOR'S STATION 18

OPERATOR ENCLOSURE 1810

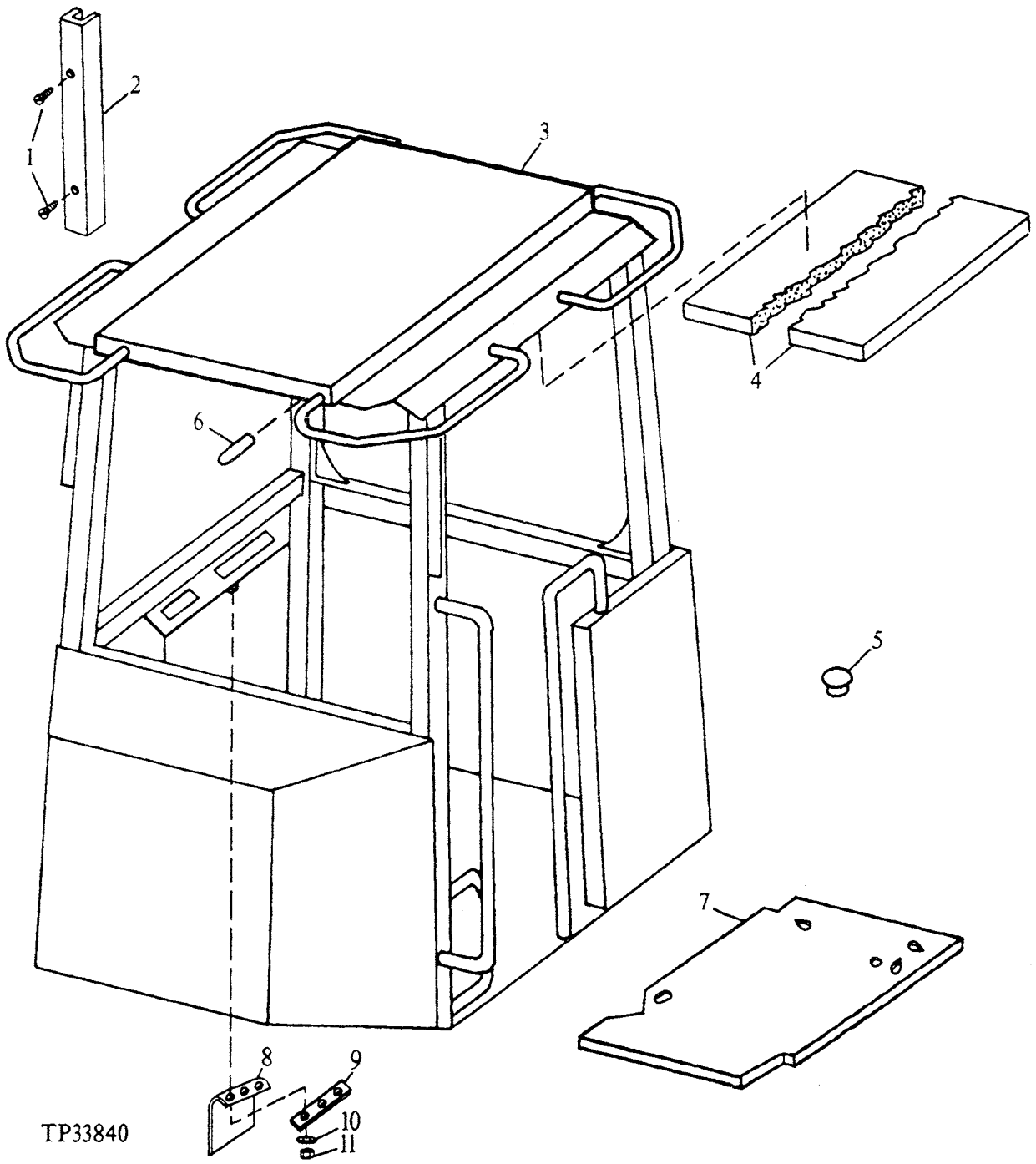
## CAB ISOLATORS

KEY	PART NO.	PART NAME	QTY	SERIAL NO.	REMARKS
1	T69660	PLUG	1		RADIO ANTENNA
2	T137751	FOAM PAD	1		
3	T119606	HEADLINER	2		
4	T119608	FOAM PAD	2		
5	T137752	FOAM PAD	1		
6	T144424	FOAM PAD	1		UNDER CAB FLOOR

# 2G13

## CANOPY

TP33840



TP33840

# 2G14

OPERATOR'S STATION 18

OPERATOR ENCLOSURE 1810

## CANOPY

KEY	PART NO.	PART NAME	QTY	SERIAL NO.	REMARKS
1	H24710	SCREW	2		
2	T119773	COVER	1		
3	AT151381	CANOPY	1		ROPS
4	T137750	ROOF	1		
5	99M7056	PLUG	2		CAB FLOOR DRAIN HOLE AND INSIDE STORAGE COMPARTMENT
6	T137790	COVER	2		COAT HOOK
7	T144424	FOAM PAD	1		UNDER CANOPY FLOOR
8	T145451	DEFLECTOR	1		LOAD CENTER AREA
9	T137897	STRAP	1		
10	24M7138	WASHER	3		5.300 X 15 X 1.200 MM
11	14M7265	NUT	3		M5



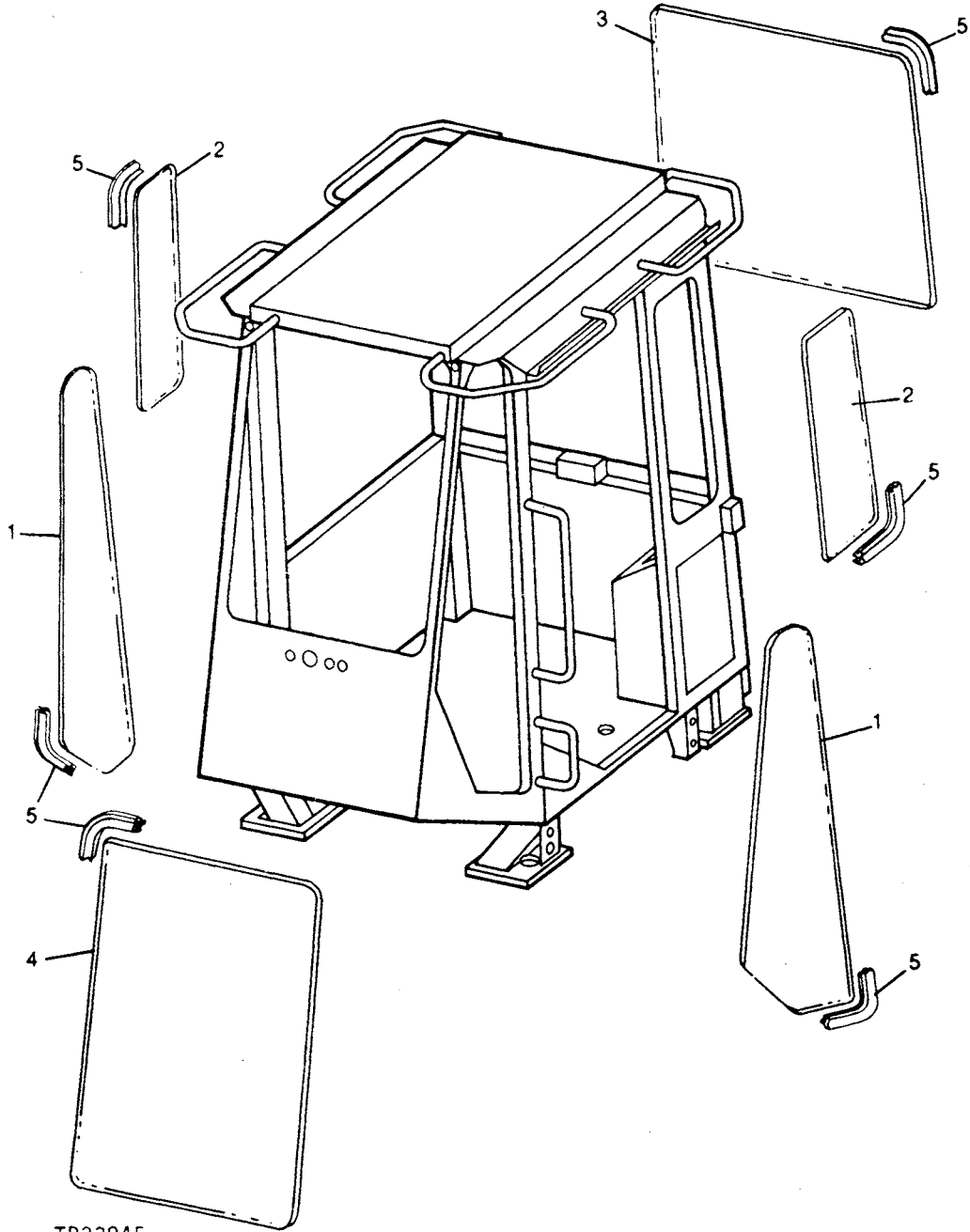
# 2G15

OPERATOR'S STATION 18

OPERATOR ENCLOSURE 1810

## CAB WINDOWS

TP33845



TP33845

# 2G16

OPERATOR'S STATION 18

OPERATOR ENCLOSURE 1810

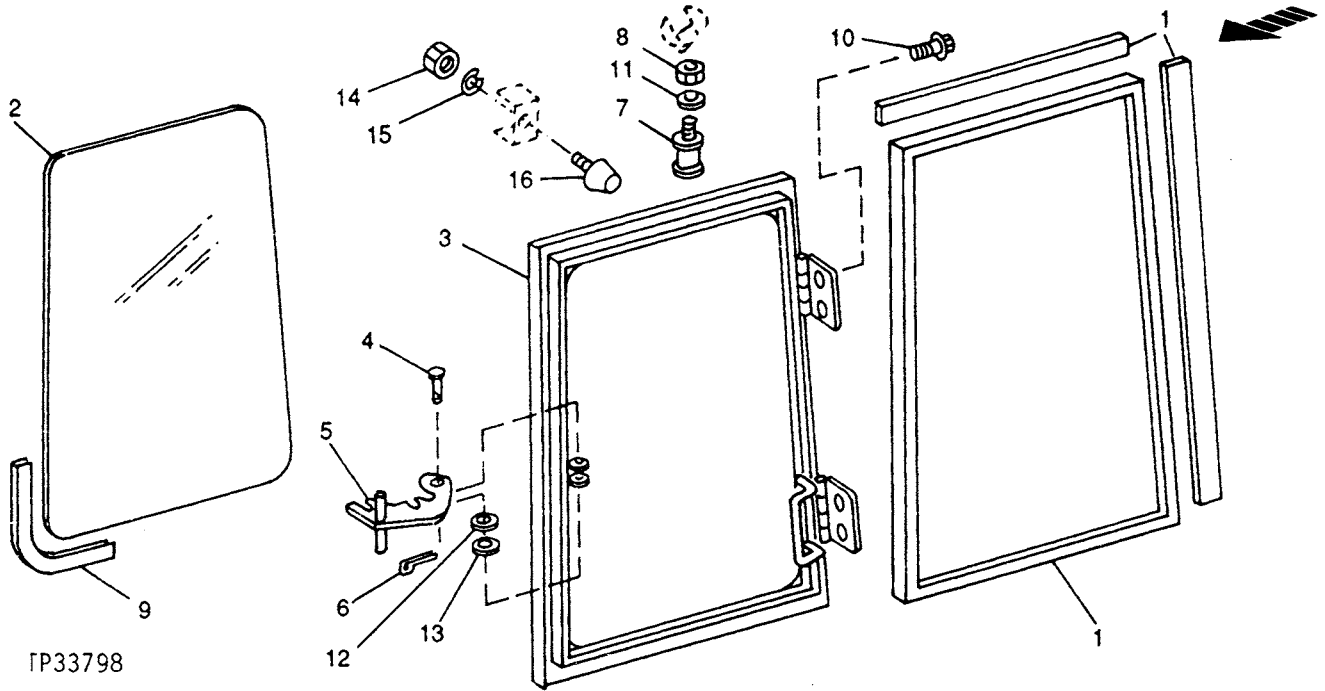
## CAB WINDOWS

KEY	PART NO.	PART NAME	QTY	SERIAL NO.	REMARKS
1	T137716	WINDOWPANE	2		FRONT SIDE
2	T119638	WINDOWPANE	2		QUARTER PANEL
3	T119434	WINDOWPANE	1		REAR
4	T119435	WINDSHIELD	1		FRONT
5	.....	ISOLATOR	AR		(MAKE FROM T62560 BULK MATERIAL, CUT TO LENGTH)

# 2G17

## CAB WINDOW FRAME AND GLASS (RIGHT SIDE)

TP33798



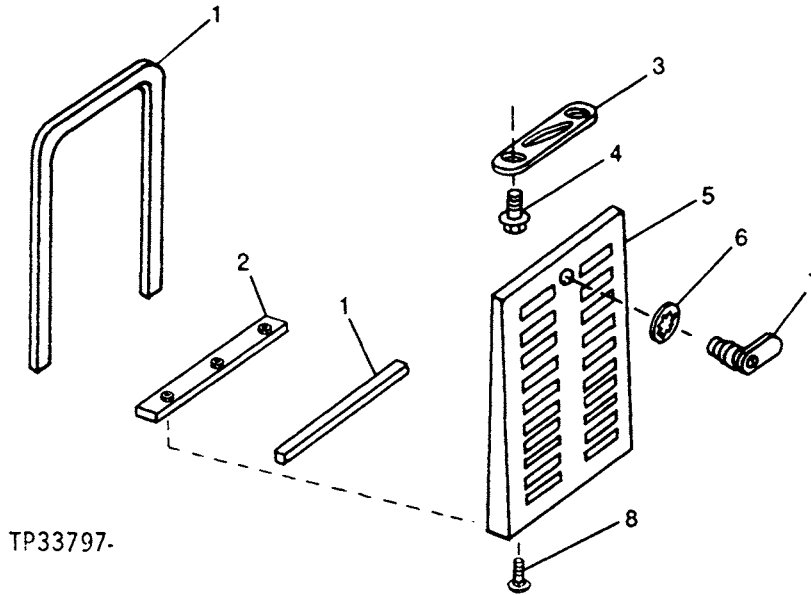
TP33798

KEY	PART NO.	PART NAME	QTY	SERIAL NO.	REMARKS
1	AT116972	ISOLATOR	1		FRAME (MAKE FROM T119593 BULK MATERIAL, CUT TO LENGTH)
	.....	TAPE	AR		
2	T119369	WINDOWPANE	1		UPPER DOOR
3	AT146649	WINDOW	1		
4	T13271	PIN	1		
5	T142622	LATCH	1		
6	11M7079	COTTER PIN	1		2.500 X 12 MM
7	AR91896	STRIKER	1		
8	K40006	LOCK NUT	1		
9	.....	ISOLATOR	AR		(WINDOW) (MAKE FROM T62560 BULK MATERIAL, CUT TO LENGTH)
10	19M7784	SCREW	4		M10 X 20
11	24H1327	WASHER	1		15/32" X 1-1/8" X 7/64"
12	T16736	WASHER	1		
13	24H1122	WASHER	1		3/8" X 7/8" X 0.083"
14	14H650	NUT	1		5/16"
15	12M7065	LOCK WASHER	1		8.100 MM
16	AT36635	BUMPER	1		

# 2G18

## CAB FRESH AIR FILTER AND LOCK

TP33797



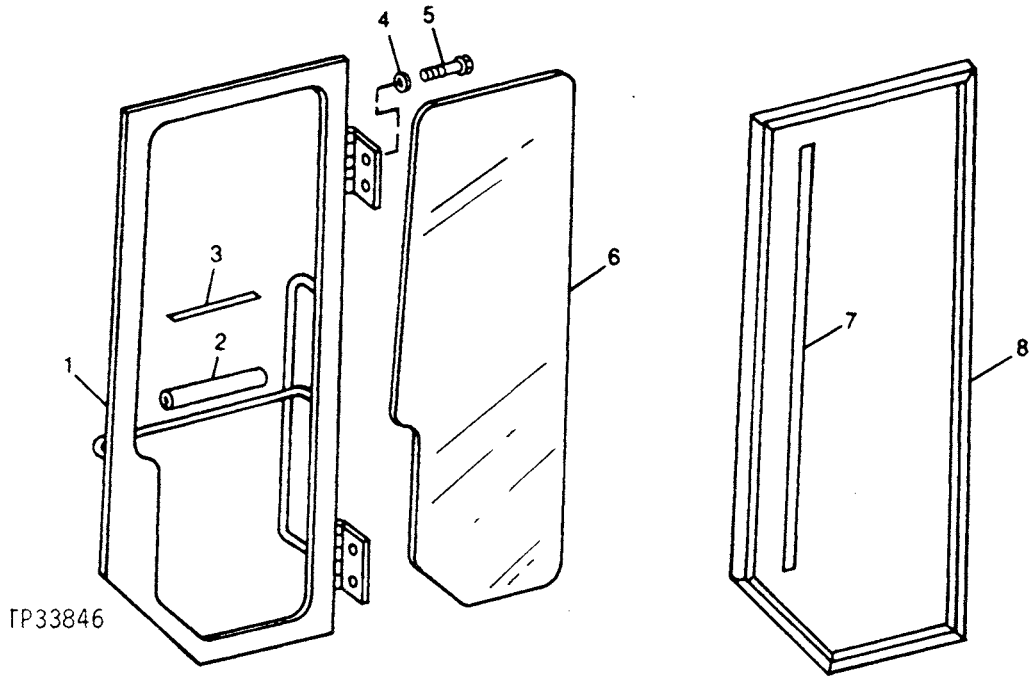
TP33797.

KEY	PART NO.	PART NAME	QTY	SERIAL NO.	REMARKS
1	.....	ISOLATOR	AR		(MAKE FROM T66162 BULK MATERIAL, CUT TO LENGTH)
2	AT117044	STRAP	1		
3	T119791	STRIKER	1		
4	19M7775	SCREW	2		M6 X 16
5	AT146688	DOOR	1		
6	12H327	LOCK WASHER	1		3/4"
7	AT53801	LOCK	1		
8	21M7246	SCREW	3		M6 X 16

# 2G19

TP33846

## CAB DOOR AND GLASS



TP33846

KEY	PART NO.	PART NAME	QTY	SERIAL NO.	REMARKS
1	AT146623	DOOR	1		(LEFT SIDE)
2	T137841	FOAM PAD	1		DOOR HORIZONTAL GRAB BAR
3	T137877	TAPE	1		GRIP TO GRAB BAR
4	24H1308	WASHER	4		13/32" X 1" X 0.134"
5	19M7783	SCREW	4		M10 X 16
6	T137698	WINDOWPANE	1		
7	T119593	TAPE	AR		ISOLATOR TO DOOR
8	.....	ISOLATOR	AR		(MAKE FROM T62560 BULK MATERIAL, CUT TO LENGTH)

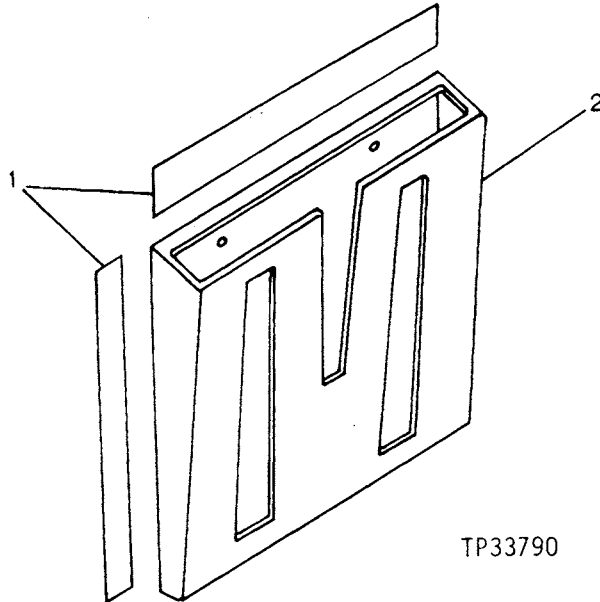
# 2G20

OPERATOR'S STATION 18

OPERATOR ENCLOSURE 1810

## MAGAZINE HOLDER

TP33790

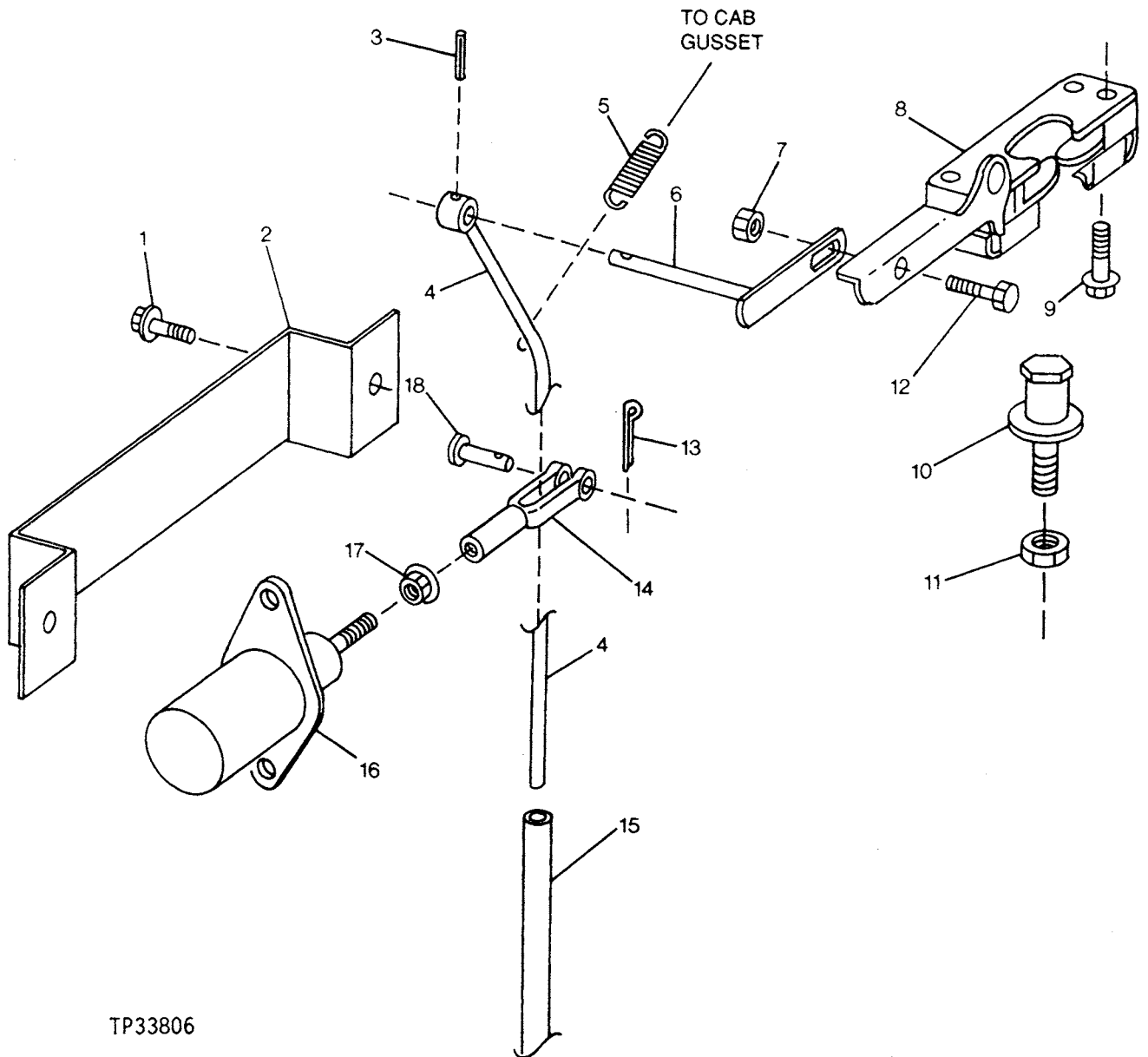


KEY	PART NO.	PART NAME	QTY	SERIAL NO.	REMARKS
1	T137877	TAPE	AR		
2	T142873	HOLDER	1		

# 2G21

## CAB DOOR HOLD-OPEN RELEASE

TP33806



# 2G22

OPERATOR'S STATION 18

OPERATOR ENCLOSURE 1810

## CAB DOOR, HOLD-OPEN RELEASE

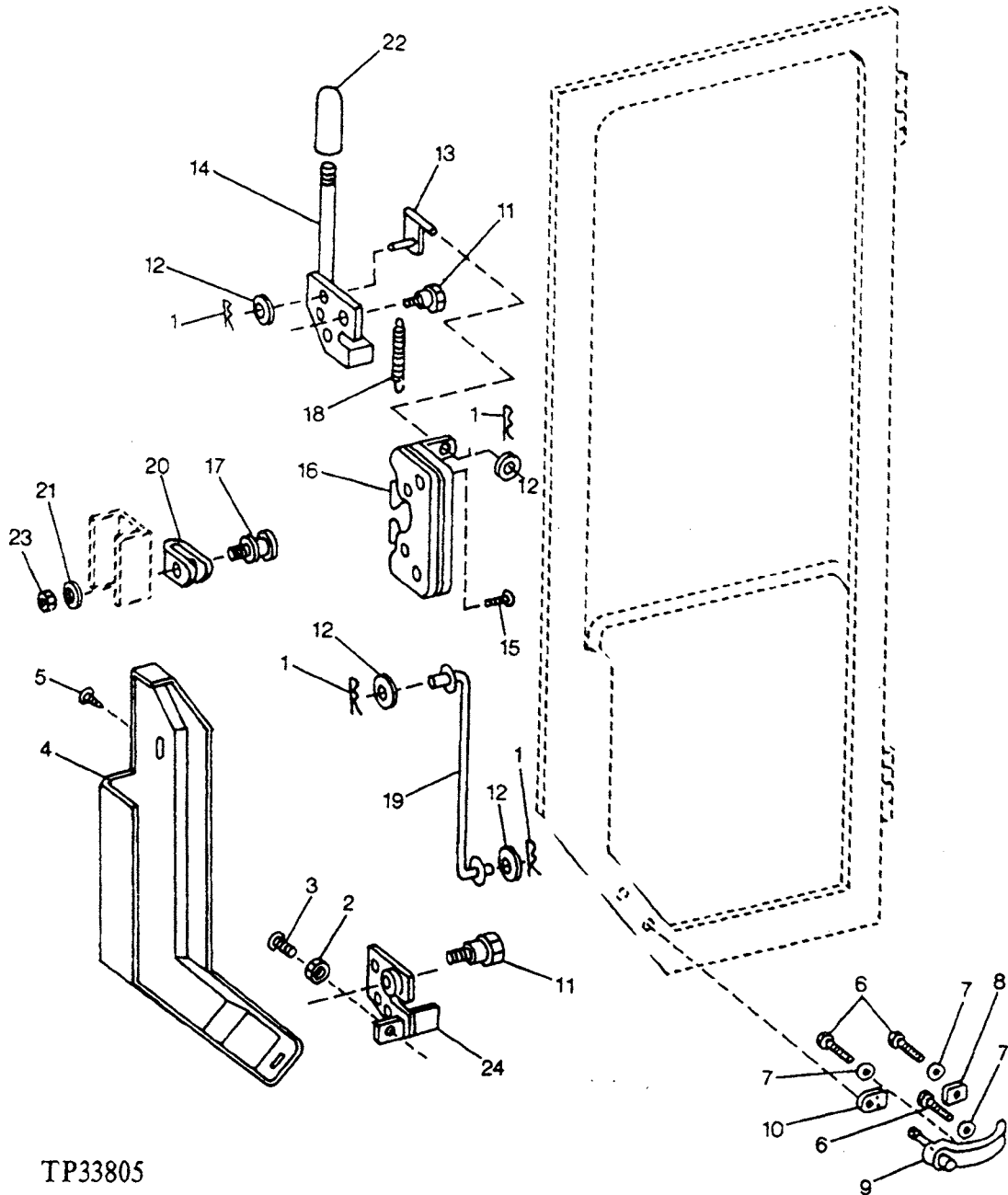
KEY	PART NO.	PART NAME	QTY	SERIAL NO.	REMARKS
1	19M7774	SCREW	2		M6 X 12, L.H.
2	AT146696	COVER	1		
3	25H722	GROOVE PIN	1		1/8" X 1-1/4"
4	AT146663	LEVER	1		
5	U15574	SPRING	1		
6	AT117059	ROD	1		
7	M40333	LOCK NUT	1		
8	AT117064	LATCH	1		
9	U43002	SCREW	4		
10	AR91896	STRIKER	1		
11	K40006	LOCK NUT	1		
12	19H1919	CAP SCREW	1		1/4" X 5/8"
13	11H266	COTTER PIN	1		1/16" X 1/2"
14	W38023	YOKE	1		
15	T137790	COVER	1		
16	AM103337	SOLENOID	1		
17	14M7303	FLANGE NUT	1		
18	W24718	PIN	1		



# 2G23

## CAB DOOR HANDLE AND LINKAGE

TP33805



TP33805

# 2G24

OPERATOR'S STATION 18

OPERATOR ENCLOSURE 1810

## CAB DOOR HANDLE AND LINKAGE

KEY	PART NO.	PART NAME	QTY	SERIAL NO.	REMARKS
1	11H266	COTTER PIN	1		1/16" X 1/2"
2	14H786	NUT	1		1/4"
3	R50639	SCREW	1		
4	T141936	COVER	1		
5	21M7278	SCREW	4		M5 X 10
6	19M7775	SCREW	3		M6 X 16
7	12H302	LOCK WASHER	3		1/4"
8	T71442	GROMMET	1		
9	AT148303	HANDLE	1		
10	T119775	GROMMET	1		
11	T119619	BOLT	2		
12	24M7027	WASHER	4		5.300 X 10 X 1 MM
13	AT117310	LINKAGE	1		
14	AT113985	HANDLE	1		
15	U43002	SCREW	4		
16	AT62791	LATCH	1		
17	AT70190	STRIKER	1		
18	T119594	EXTENSION SPRING	1		
19	AT146712	LINKAGE	1		
20	T135583	GUARD	1		
21	24H1327	WASHER	1		15/32" X 1-1/8" X 7/64"
22	N157204	GRIP	1		
23	K40006	LOCK NUT	1		
24	AT117043	PLATE	1		

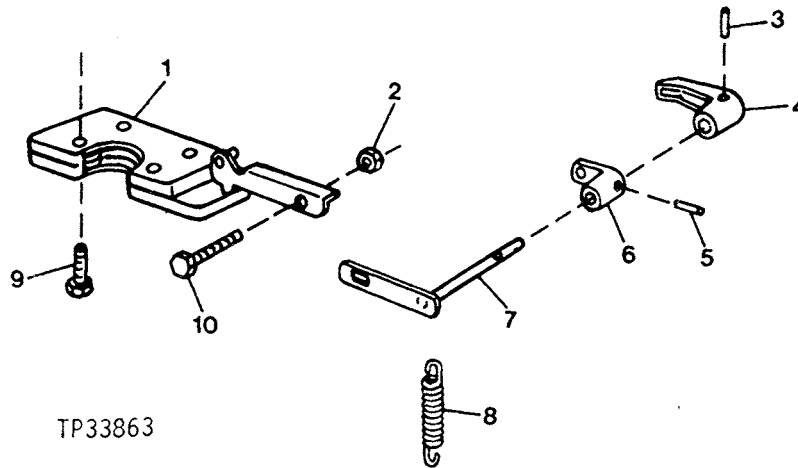
# 2G25

OPERATOR'S STATION 18

OPERATOR ENCLOSURE 1810

## RIGHT-HAND WINDOW HOLD OPEN CATCH

TP33863



TP33863

KEY	PART NO.	PART NAME	QTY	SERIAL NO.	REMARKS
1	AT117065	LATCH	1		
2	M40333	LOCK NUT	1		
3	25H722	GROOVE PIN	1		1/8" X 1-1/4"
4	M61002	HANDLE	1		
5	34H245	SPRING PIN	1		1/8" X 5/8"
6	AT117061	LUG	1		
7	AT117059	ROD	1		
8	U15574	SPRING	1		
9	U43002	SCREW	4		
10	19H1919	CAP SCREW	1		

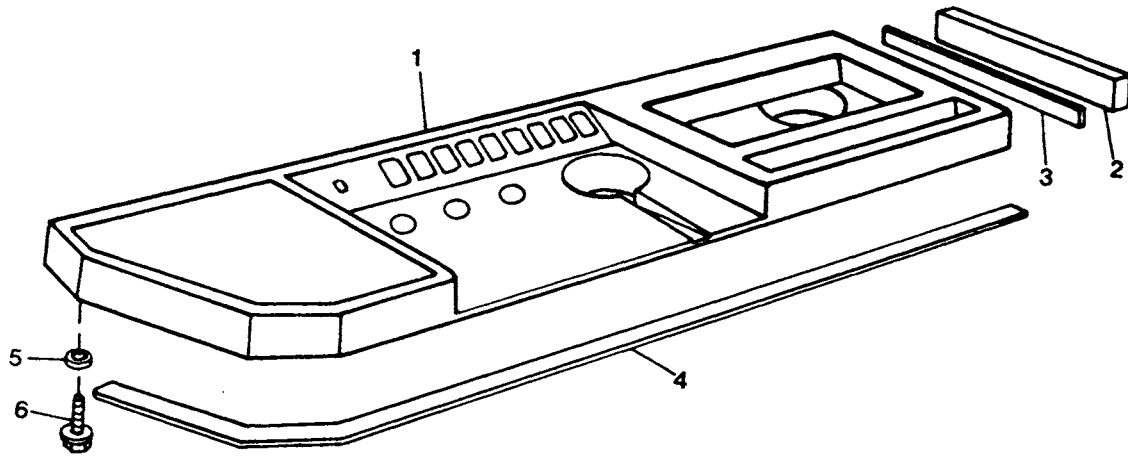
# 2H01

OPERATOR'S STATION 18

OPERATOR ENCLOSURE 1810

## RIGHT CONSOLE

TP33862



TP33862

KEY	PART NO.	PART NAME	QTY	SERIAL NO.	REMARKS
1	AT157628	CONSOLE	1		
2	T137864	MOUNTING PARTS	1		
3	T137877	TAPE	1		
4	.....	ISOLATOR	AR		(MAKE FROM T59938 BULK MATERIAL, CUT TO LENGTH)
5	24M7139	WASHER	8		6.400 X 18 X 1.600 MM
6	19M7861	SCREW	8		M6 X 10

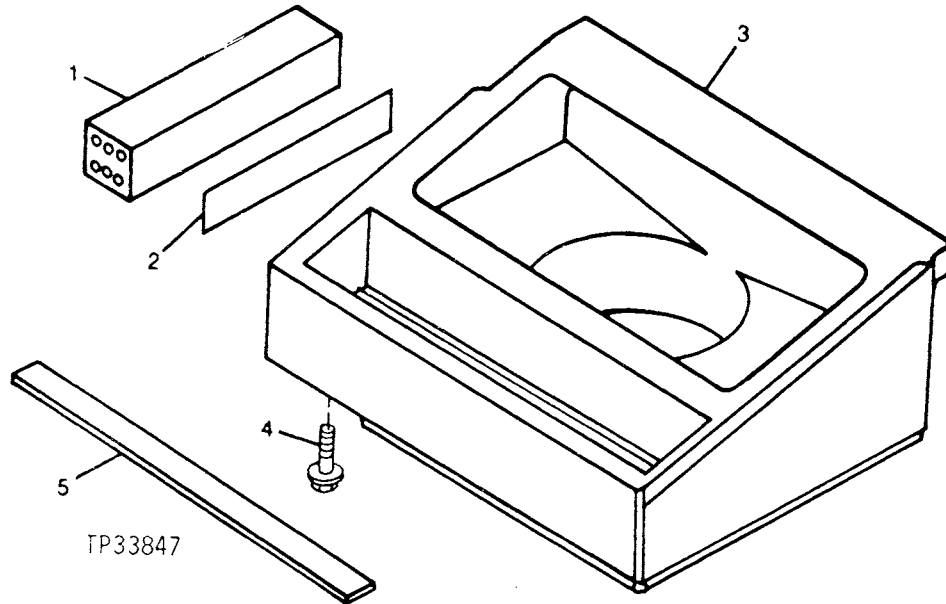
# 2H02

OPERATOR'S STATION 18

OPERATOR ENCLOSURE 1810

## LEFT CONSOLE COVER

TP33847



KEY	PART NO.	PART NAME	QTY	SERIAL NO.	REMARKS
1	T137864	MOUNTING PARTS	1		
2	T137877	TAPE	AR		
3	AT158237	CONSOLE	1		
4	19M7861	SCREW	4		M6 X 10
5	.....	DOCUMENT	AR		(MAKE FROM T59938 BULK MATERIAL, CUT TO LENGTH)

---

**MEMORANDA**

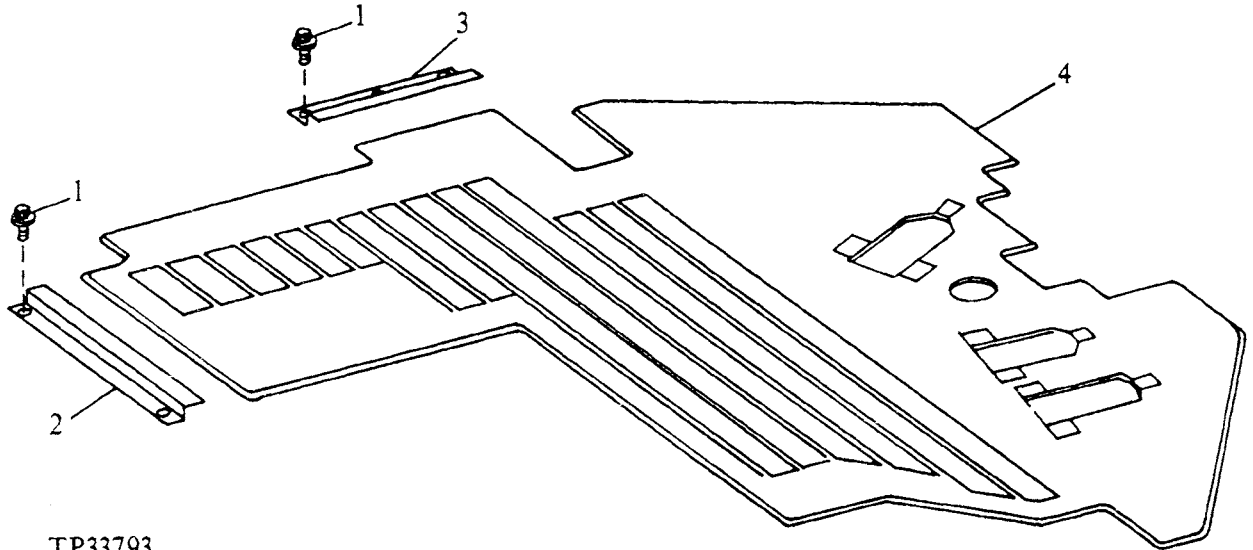
# 2H03

OPERATOR'S STATION 18

OPERATOR ENCLOSURE 1810

## CANOPY FLOOR MAT

TP33793



TP33793

KEY	PART NO.	PART NAME	QTY	SERIAL NO.	REMARKS
1	19M7865	SCREW	5		M8 X 16
2	T137713	RETAINER	1		
3	T137888	RETAINER	1		
4	T146153	MAT	1		

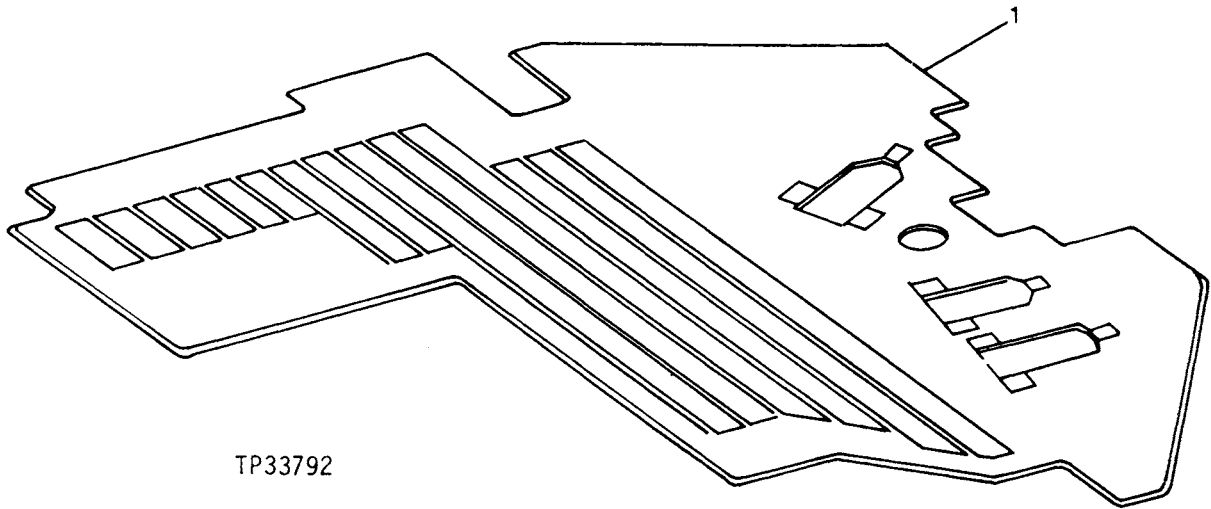
# 2H04

OPERATOR'S STATION 18

OPERATOR ENCLOSURE 1810

## CAB FLOOR MAT

TP33792



KEY	PART NO.	PART NAME	QTY	SERIAL NO.	REMARKS
1	T146153	MAT	1		



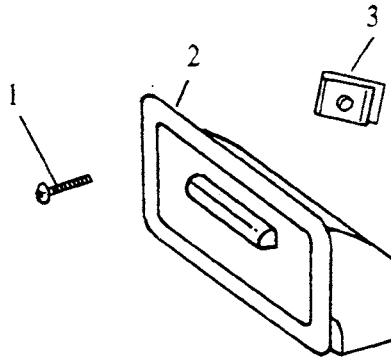
# 2H05

OPERATOR'S STATION 18

OPERATOR ENCLOSURE 1810

TP33786

## ASH TRAY



TP33786

KEY	PART NO.	PART NAME	QTY	SERIAL NO.	REMARKS
1	T65069	SCREW	2		
2	AT59892	ASHTRAY	1		RIGHT DEFROSTER HOUSING
3	R53528	LOCK NUT	2		

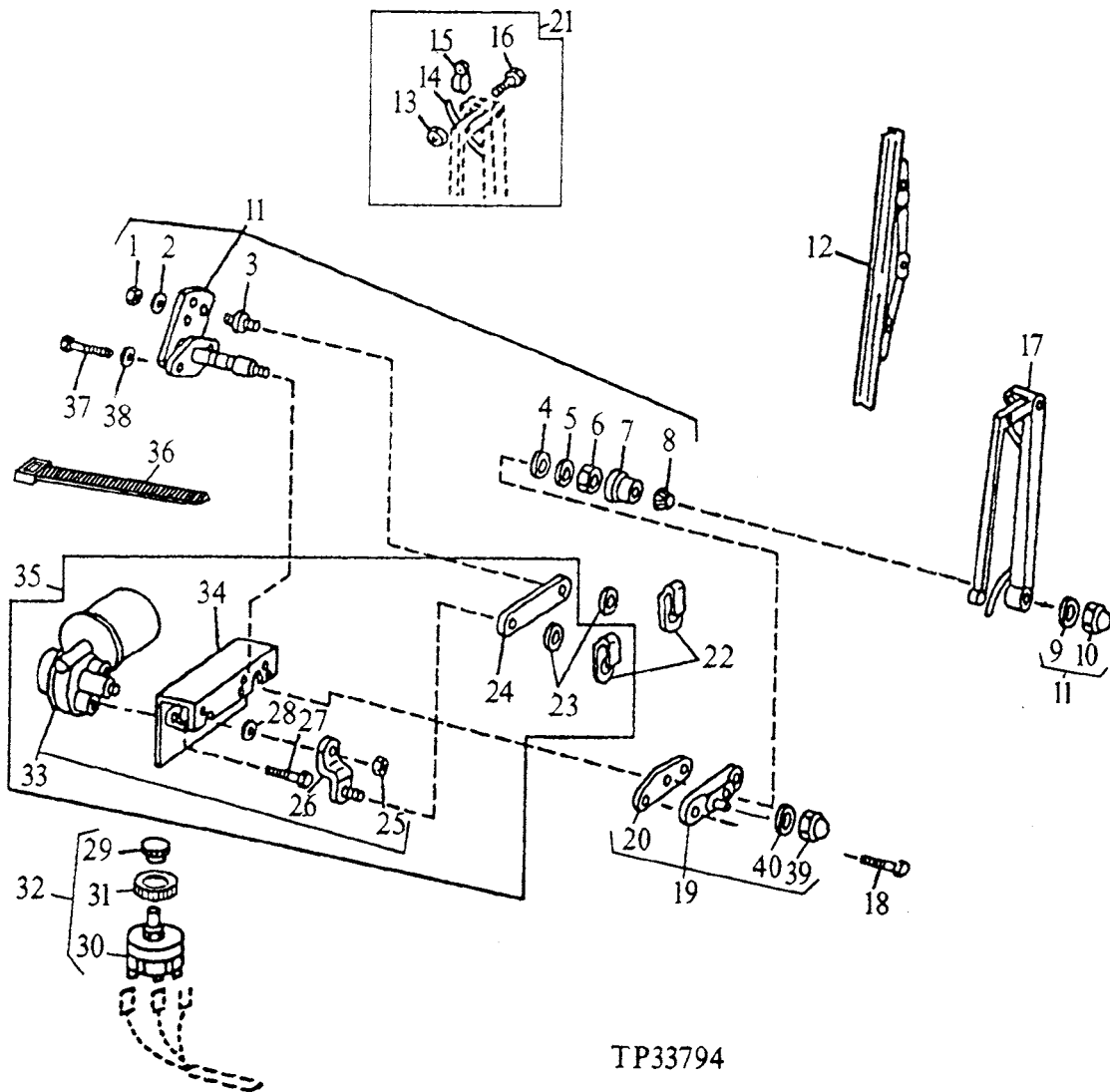
---

**MEMORANDA**

# 2H06

## FRONT WINDSHIELD WIPER AND SWITCH

TP33794



TP33794

# 2H07

OPERATOR'S STATION 18

OPERATOR ENCLOSURE 1810

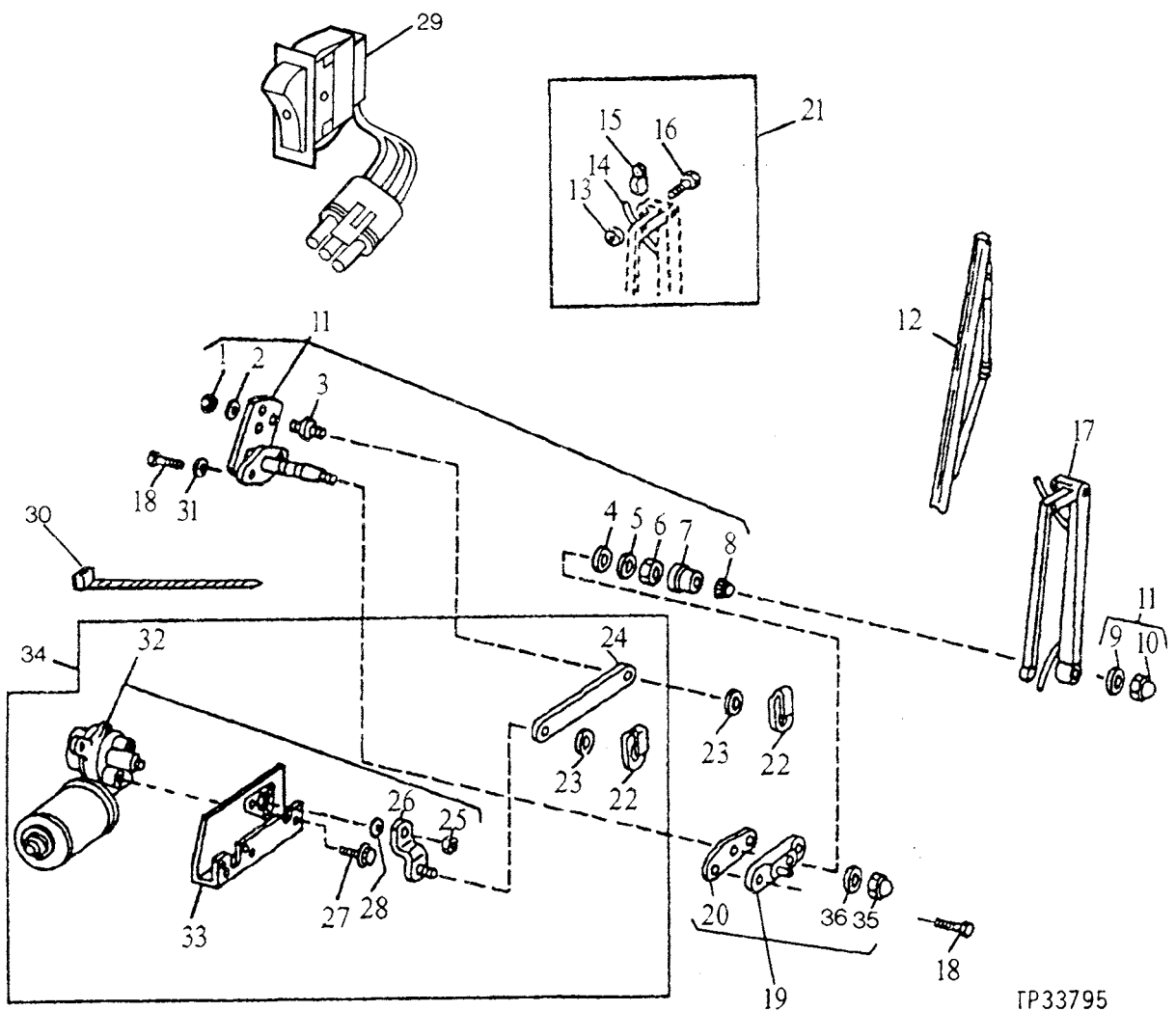
## FRONT WINDSHIELD WIPER AND SWITCH

KEY	PART NO.	PART NAME	QTY	SERIAL NO.	REMARKS
1	14H649	NUT	1		1/4"
2	12H297	LOCK WASHER	1		1/4"
3	U46507	PIN	1		
4	R63666	WASHER	1		FIBER
5	R63667	WASHER	1		STEEL
6	R63668	NUT	1		
7	R63669	CAP	1		
8	R63670	WELD NUT	1		
9	12M7065	LOCK WASHER	1		8.100 MM
10	R63671	NUT	1		
11	AT58209	SHAFT	1		
12	AT117253	WIPER BLADE	1		
13	T35440	LOCK NUT	1		
14	.....	HOSE	1		(SUB AT117197)
15	.....	NOZZLE	1		(SUB AT117197)
16	T35441	SCREW	1		
17	AT117252	WIPER ARM	1		
18	19H3138	CAP SCREW	2		1/4" X 5/8"
19	AT115596	PIVOT	1		
20	T142541	GASKET	1		
21	AT117197	KIT	1		NOZZLE
22	U46506	CLIP	2		
23	T32255	SHIM	2		
24	AU43853	LINK	1		
25	F3220R	LOCK NUT	1		3/8"
26	AT141988	WIPER ARM	1		
27	.....	SCREW	3		WITH LOCK WASHER
28	U46508	WASHER	1		
29	AT134895	KNOB	1		
30	AT133046	SWITCH	1		
31	R44165	LOCK NUT	1		
32	AT135712		1		
33	AT141696	MOTOR	1		
34	.....	BRACKET	1		(SUB AT141941)
35	AT150269	WIPER ARM	1		
36	H77698	TIE BAND	1		
37	21H1127	SCREW	2		NO. 10 X 7/16"
38	12H295	LOCK WASHER	2		NO. 10
39	T142539	NUT	1		
40	T142540	WASHER	1		

# 2H08

## REAR WINDSHIELD WIPER AND SWITCH

TP33795



# 2H09

OPERATOR'S STATION 18

OPERATOR ENCLOSURE 1810

## REAR WINDSHIELD WIPER AND SWITCH

KEY	PART NO.	PART NAME	QTY	SERIAL NO.	REMARKS
1	14H649	NUT	1		1/4"
2	12H297	LOCK WASHER	1		1/4"
3	U46507	PIN	1		
4	R63666	WASHER	1		FIBER
5	R63667	WASHER	1		STEEL
6	R63668	NUT	1		
7	R63669	CAP	1		
8	R63670	WELD NUT	1		
9	12H303	LOCK WASHER	1		5/16"
10	R63671	NUT	1		
11	AT58209	SHAFT	1		
12	AT117254	WIPER BLADE	1		
	T122979	WIPER BLADE	1		(REFILL)
13	T35440	LOCK NUT	1		
14	.....	HOSE	1		(SUB AT117197)
15	.....	NOZZLE	1		(SUB AT117197)
16	T35441	SCREW	1		
17	AT116974	WIPER ARM	1		
18	21M7278	SCREW	2		M5 X 10
19	AT115596	PIVOT	1		
20	T142541	GASKET	1		
21	AT117197	KIT	1		NOZZLE
22	U46506	CLIP	2		
23	T32255	SHIM	2		
24	AT103912	LINK	1		
25	F3220R	LOCK NUT	1		3/8"
26	AT141987	WIPER ARM	1		
27	19M7775	SCREW	3		M6 X 16, WITH LOCK WASHER
28	U46508	WASHER	1		
29	AT157368	ROCKER SWITCH	1		
30	H77698	TIE BAND	1		CONNECTOR TO MOTOR
31	12H295	LOCK WASHER	2		NO. 10
32	AT141696	MOTOR	1		
33	.....	BRACKET	1		(SUB AT141942)
34	AT141942	MOTOR	1		
35	T142539	NUT	1		
36	T142540	WASHER	1		

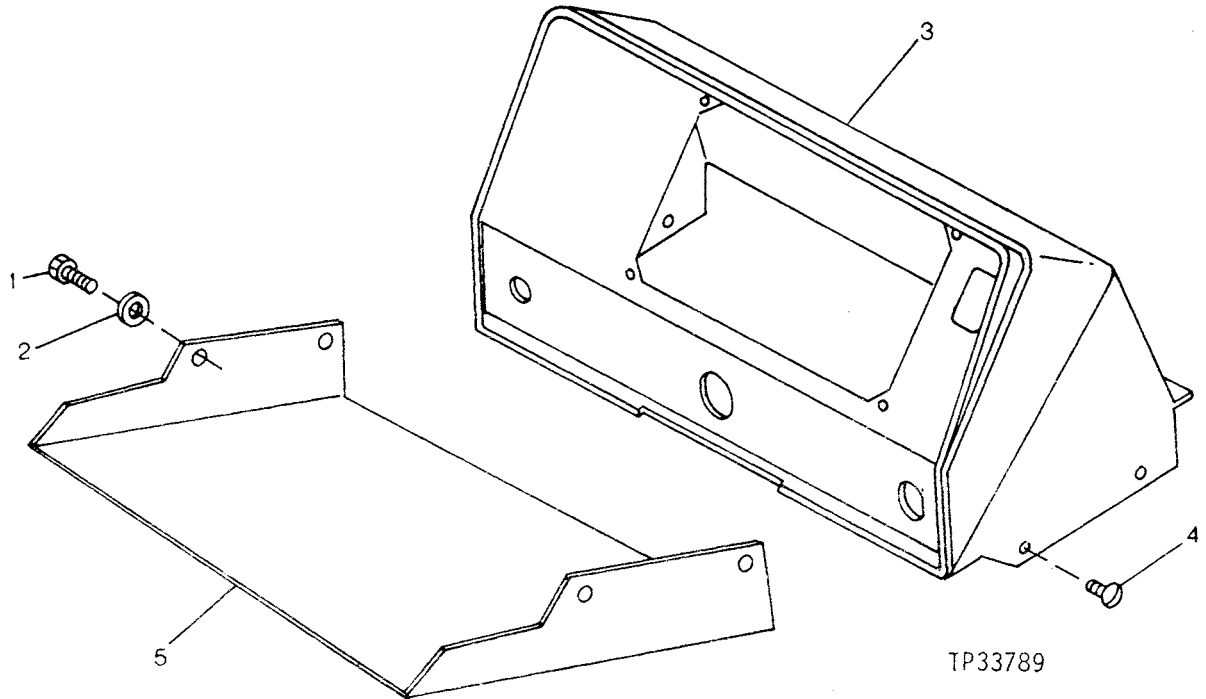
# 2H10

OPERATOR'S STATION 18

OPERATOR ENCLOSURE 1810

## DASH PANEL AND LOWER COVER

TP33789



TP33789

KEY	PART NO.	PART NAME	QTY	SERIAL NO.	REMARKS
1	T19M7861	SCREW	4		M6 X 10
2	T24M7139	WASHER	4		6.400 X 18 X 1.600 MM
3	T129976	HOUSING	1		
4	T108221	SCREW	4		
5	T137712	PANEL	1		WITH CANOPY

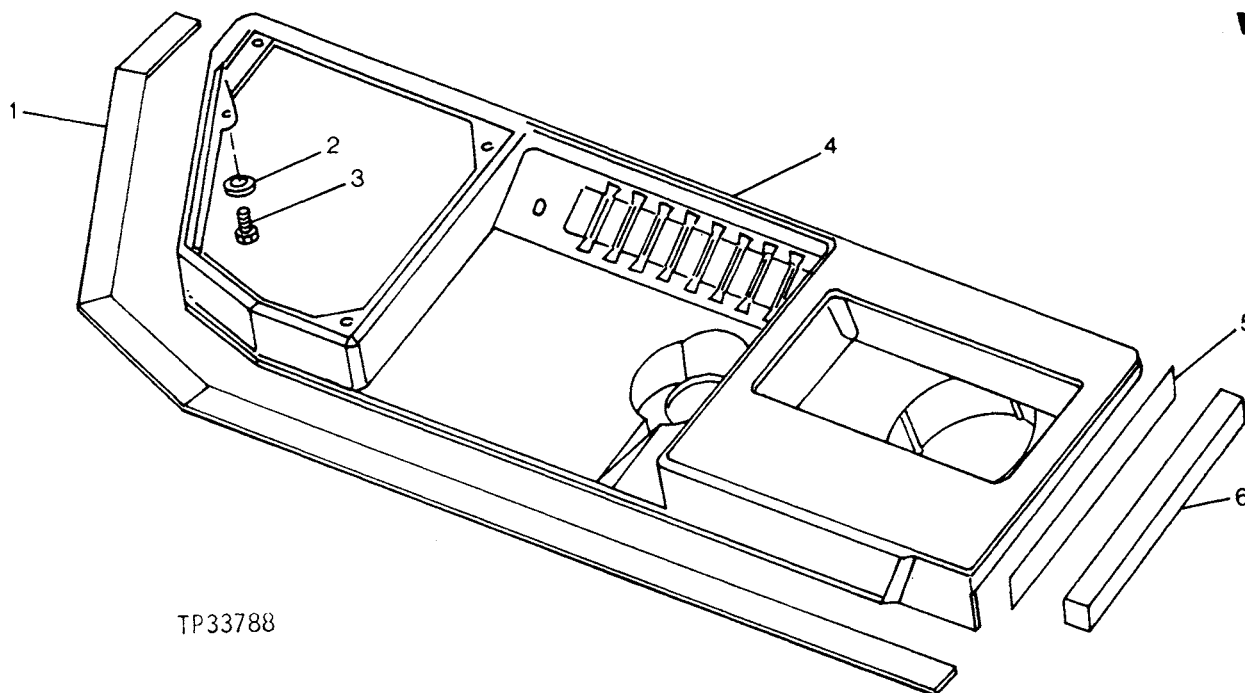
# 2H11

OPERATOR'S STATION 18

OPERATOR ENCLOSURE 1810

## RIGHT CONSOLE COVER

TP33788



TP33788

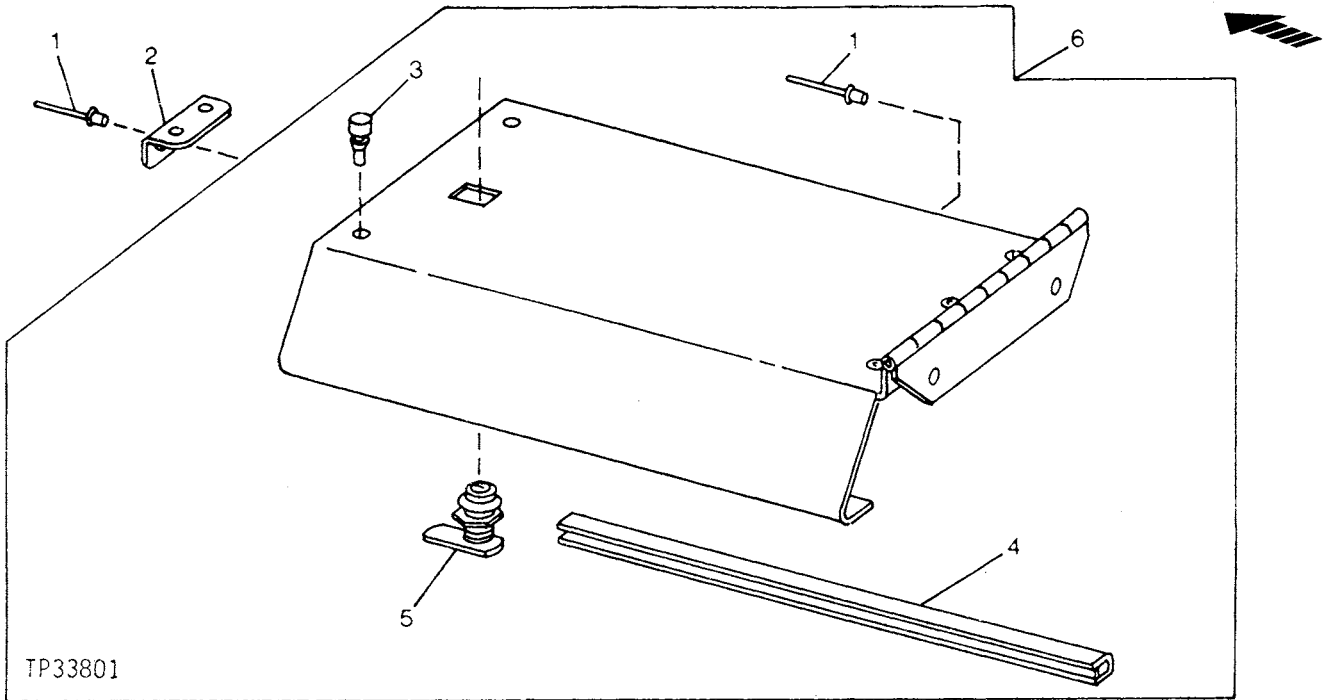
KEY	PART NO.	PART NAME	QTY	SERIAL NO.	REMARKS
1	.....	ISOLATOR	AR		(MAKE FROM T59938 BULK MATERIAL, CUT TO LENGTH)
2	24M7139	WASHER	8		6.400 X 18 X 1.600 MM
3	19M7861	SCREW	8		M6 X 10
4	AT151579	CONSOLE	1		
5	T137877	TAPE	AR		FILLER TO RIGHT CONSOLE
6	T137864	MOUNTING PARTS	1		



# 2H12

## VANDAL COVER (WITH CANOPY)

TP33801



TP33801

KEY	PART NO.	PART NAME	QTY	SERIAL NO.	REMARKS
1	H85233	RIVET	5		
2	T137840	BUMPER	1		
3	U43021	BUMPER	2		
4	.....	ISOLATOR	AR		(MAKE FROM T58056 BULK MATERIAL, CU TO LENGTH)
5	AT53801	LOCK	1		
6	AT146707		1		

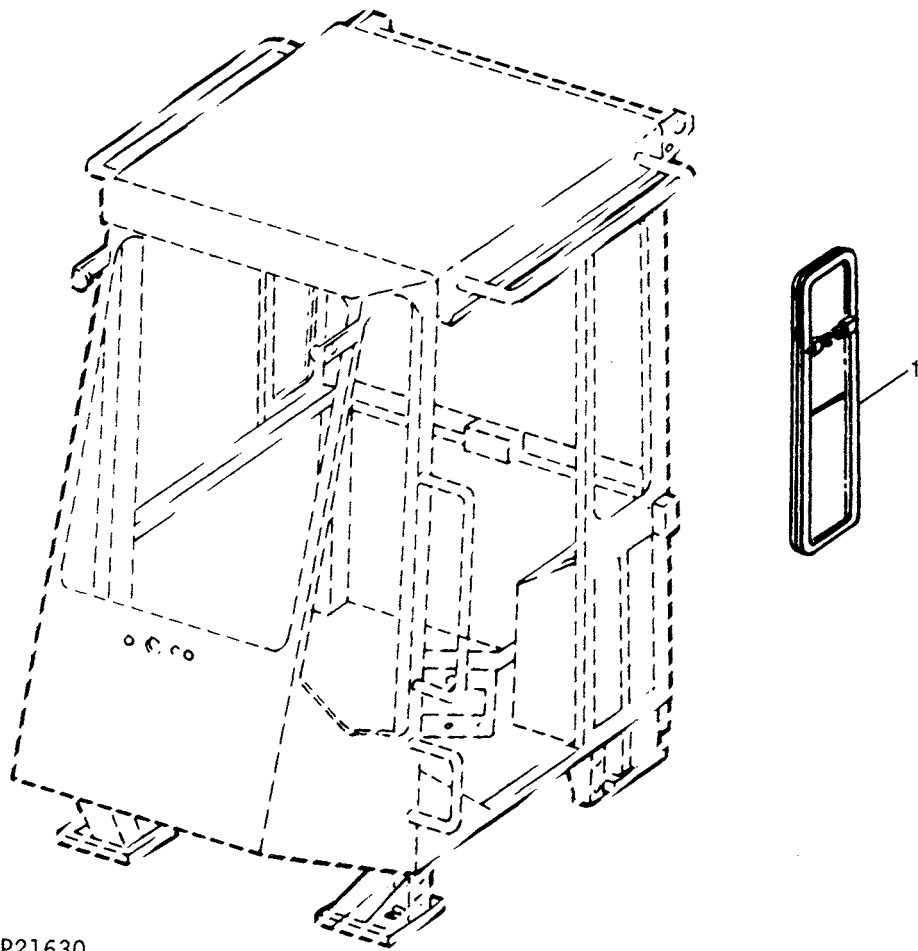
---

**MEMORANDA**

# 2H13

## SLIDING REAR SIDE WINDOWS

TP21630



TP21630

# 2H14

OPERATOR'S STATION 18

OPERATOR ENCLOSURE 1810

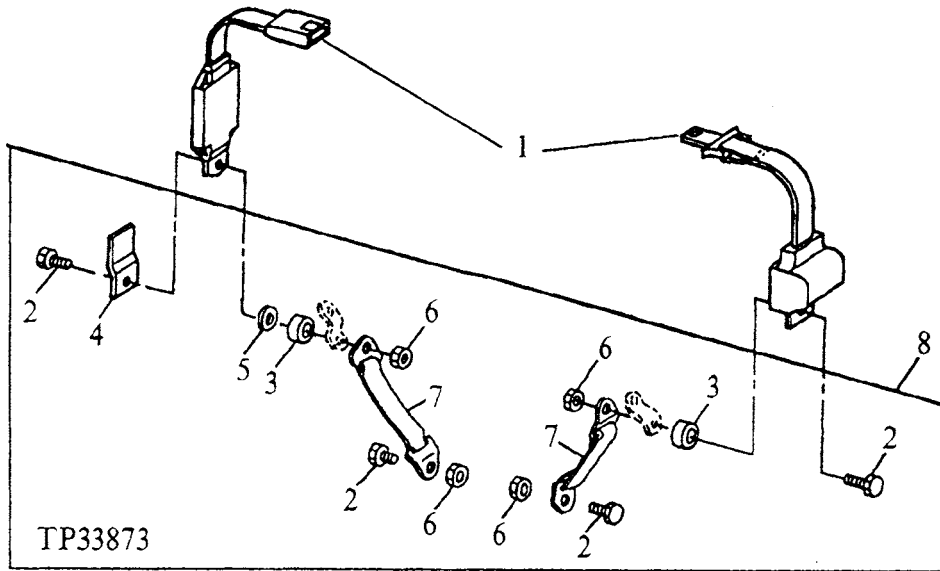
## SLIDING REAR SIDE WINDOWS

<i>KEY</i>	<i>PART NO.</i>	<i>PART NAME</i>	<i>QTY</i>	<i>SERIAL NO.</i>	<i>REMARKS</i>
1	AT117063	WINDOW	2		

# 2H15

## RETRACTABLE SEAT BELT 51MM (2 IN.) WIDE

TP33873

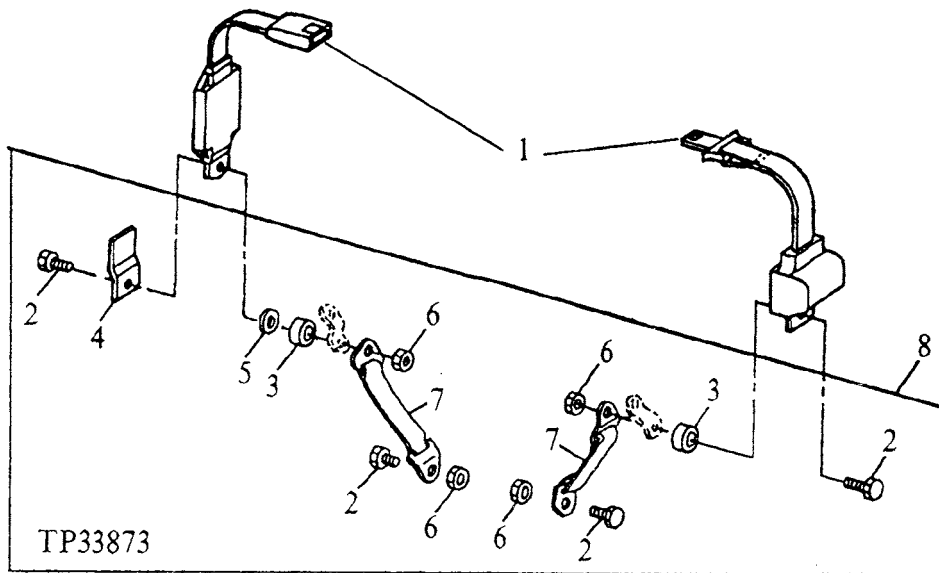


KEY	PART NO.	PART NAME	QTY	SERIAL NO.	REMARKS
1	AT161226	SEAT BELT	1		
2	.....	BOLT	4		
3	.....	SPACER	2		
4	.....	SUPPORT	1		
5	.....	WASHER	1		
6	.....	NUT	4		
7	.....	STRAP	2		
8	.....	KIT	1		

# 2H16

## RETRACTABLE SEAT BELT 76MM (3 IN.) WIDE

TP33873

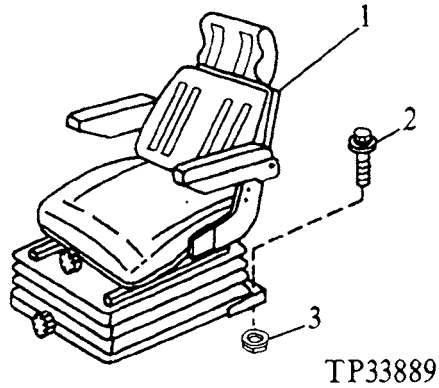


KEY	PART NO.	PART NAME	QTY	SERIAL NO.	REMARKS
1	AT161229	SEAT BELT	1		
2	.....	BOLT	4		
3	.....	SPACER	2		
4	.....	SUPPORT	1		
5	.....	WASHER	1		
6	.....	NUT	4		
7	.....	STRAP	2		
8	.....	KIT	1		

# 2H17

TP33889

## SEAT



KEY	PART NO.	PART NAME	QTY	SERIAL NO.	REMARKS
1	AT159385	SEAT	1		(CLOTH SUSPENSION SEAT)
	AT160119	SEAT	1		(VINYL SUSPENSION SEAT)
2	19M7867	SCREW	4		M8 X 25
3	14M7298	FLANGE NUT	4		M8

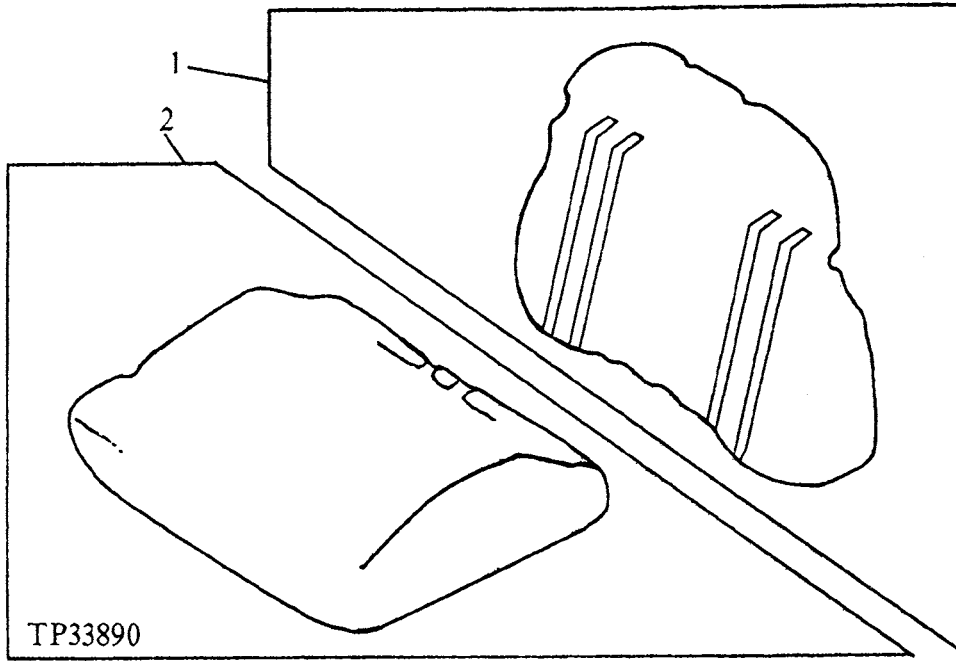
# 2H18

OPERATOR'S STATION 18

SEAT AND SEAT BELTS 1821

## SEAT AND BACKREST CUSHION

TP33890



KEY	PART NO.	PART NAME	QTY	SERIAL NO.	REMARKS
1	AT160280	CUSHION	1		BACKREST (USE WITH AT160119 SUSPENSION SEAT)
	AT160284	CUSHION	1		BACKREST (USE WITH AT159385 CLOTH SUSPENSION SEAT)
2	AT160281	CUSHION	1		SEAT (USE WITH AT160119 SUSPENSION SEAT)
	AT160285	CUSHION	1		SEAT (USE WITH AT159385 SUSPENSION SEAT)



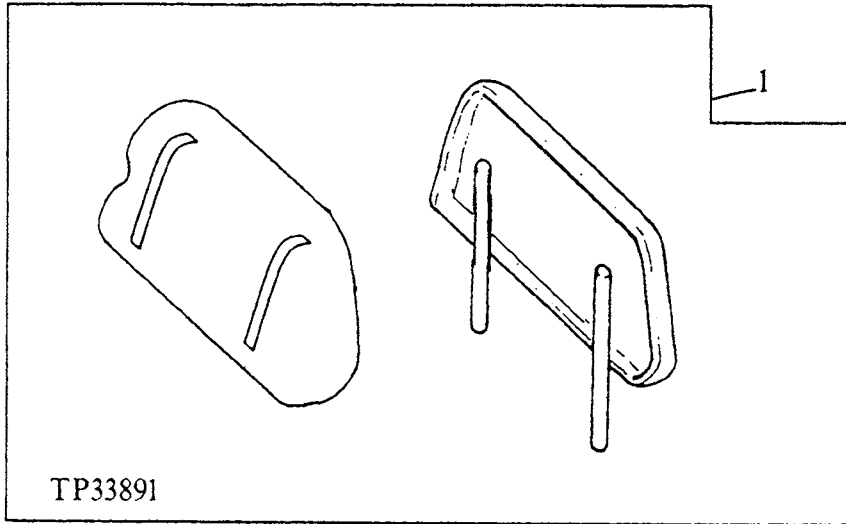
# 2H19

OPERATOR'S STATION 18

SEAT AND SEAT BELTS 1821

## BACKREST EXTENSION

TP33891



KEY	PART NO.	PART NAME	QTY	SERIAL NO.	REMARKS
1	AT161395	SEAT SUSPENSION	1		BACKREST EXTENSION (USE WITH AT160119 SUSPENSION SEAT
	AT160277	SEAT BACK	1		BACKREST EXTENSION (USE WITH AT159385 SUSPENSION SEAT)

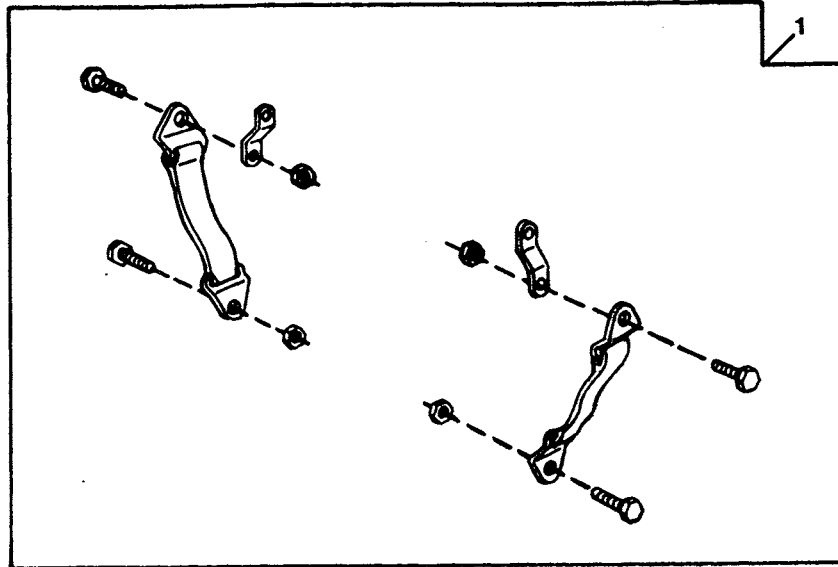
# 2H20

OPERATOR'S STATION 18

SEAT AND SEAT BELTS 1821

## TETHER STRAP

TP33892



TP33892

KEY	PART NO.	PART NAME	QTY	SERIAL NO.	REMARKS
1	AT160282	STRAP	1		

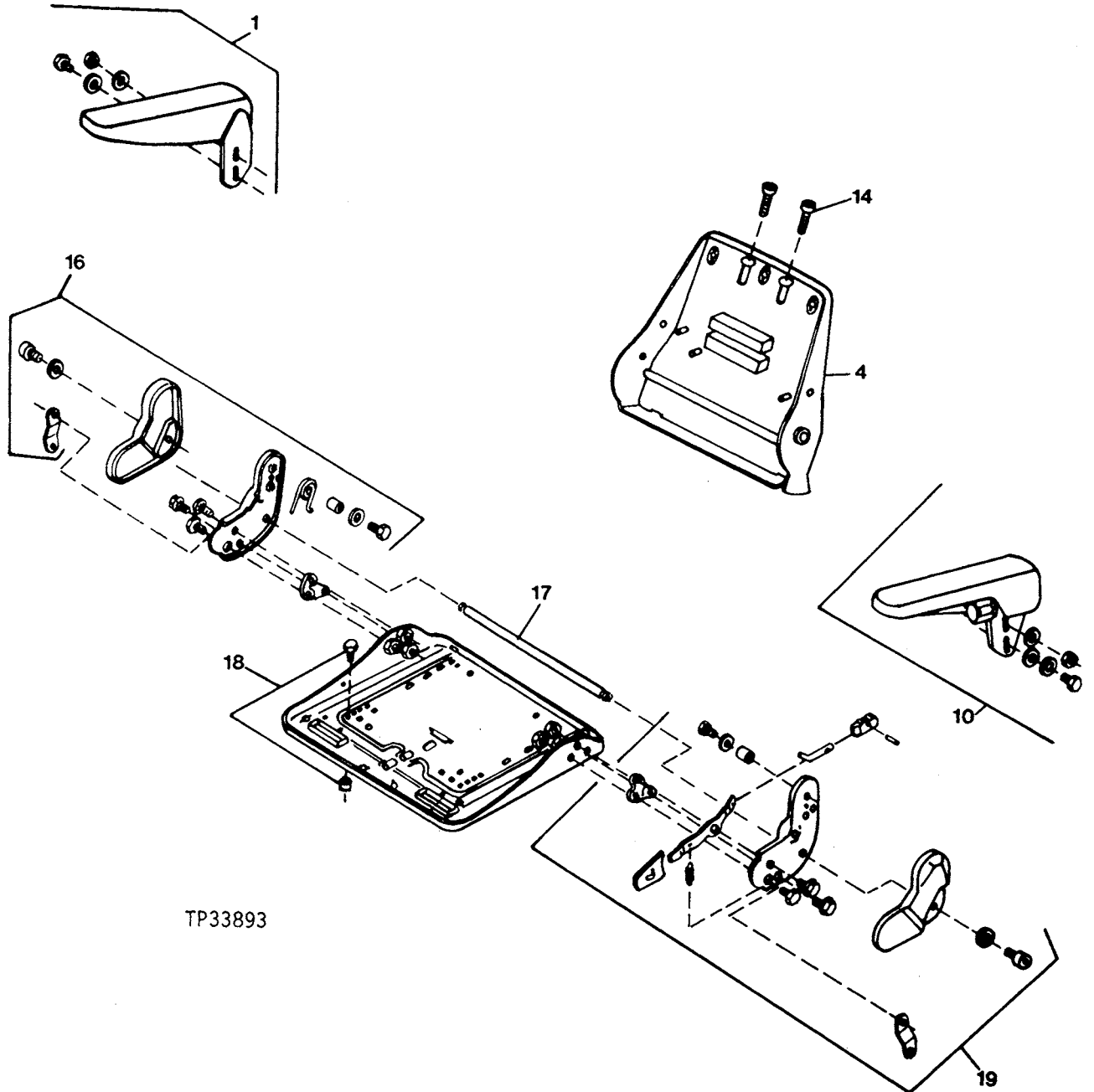
# 2H21

OPERATOR'S STATION 18

SEAT AND SEAT BELTS 1821

## ARMRESTS AND BACKREST BRACKETS

TP33893



TP33893

# 2H22

OPERATOR'S STATION 18

SEAT AND SEAT BELTS 1821

## ARMRESTS AND BACKREST BRACKETS

KEY	PART NO.	PART NAME	QTY	SERIAL NO.	REMARKS
1	AT160271	FOOTREST	1		R.H.
4	AT160276	SEAT BACK	1		BACKREST
10	AT160279	ARMREST	1		L.H.
14	T146096	PLUG	2		
16	AT160273	BRACKET	1		
17	AT161394	BAR	1		
18	AT160275	PAN	1		SEAT PAN
19	AT160278	ADJUSTER	1		BACKREST ADJUSTABLE ANGLE

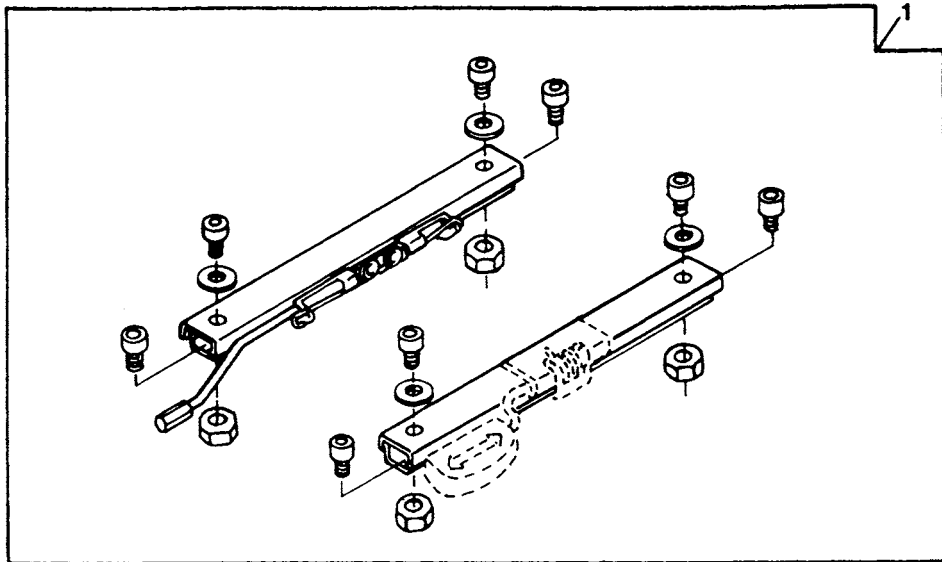
# 2H23

OPERATOR'S STATION 18

SEAT AND SEAT BELTS 1821

## SEAT SLIDE TRACK (FORE AND AFT ADJUSTMENT)

TP33894



TP33894

KEY	PART NO.	PART NAME	QTY	SERIAL NO.	REMARKS
1	AT161393	ADJUSTER	1		FORE AND AFT

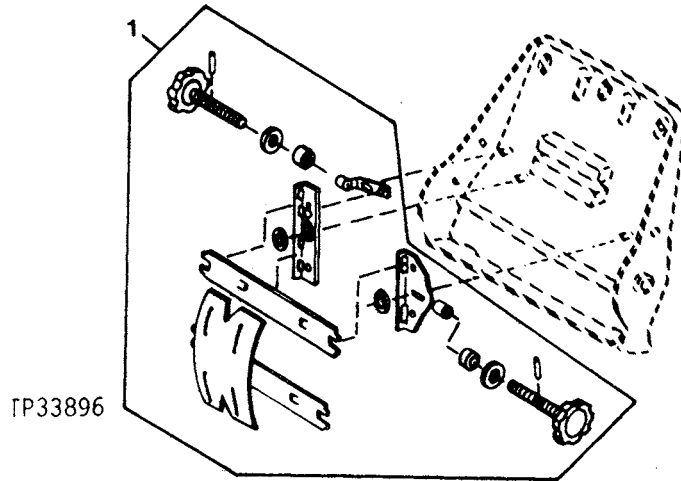
# 2H24

OPERATOR'S STATION 18

SEAT AND SEAT BELTS 1821

## SEAT LOWER BACK ADJUSTER (SUSPENSION SEAT)

TP33896

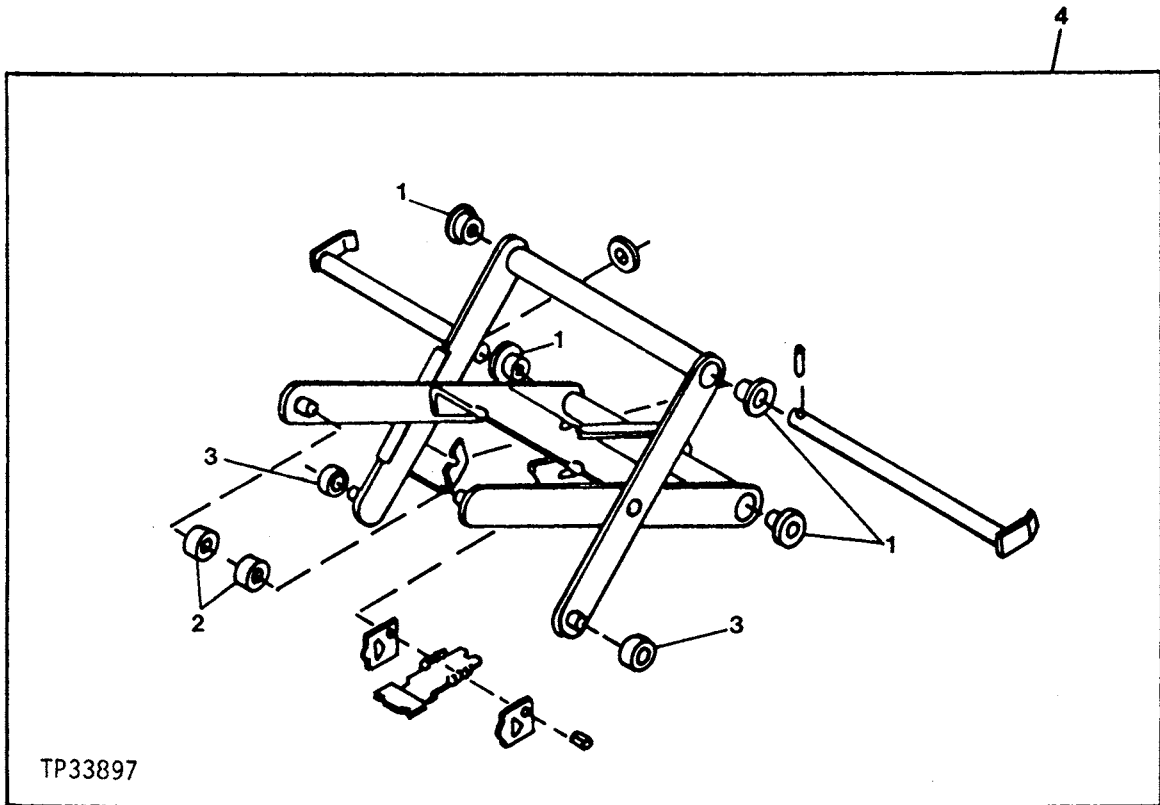


KEY	PART NO.	PART NAME	QTY	SERIAL NO.	REMARKS
1	AT160274	SUPPORT	1		LUMBAR SUPPORT

# 2101

## SCISSORS SUSPENSION ARMS WITH SHAFTS (SUSPENSION SEAT)

TP33897



# 2102

OPERATOR'S STATION 18

SEAT AND SEAT BELTS 1821

## SCISSORS SUSPENSION ARMS WITH SHAFTS (SUSPENSION SEAT)

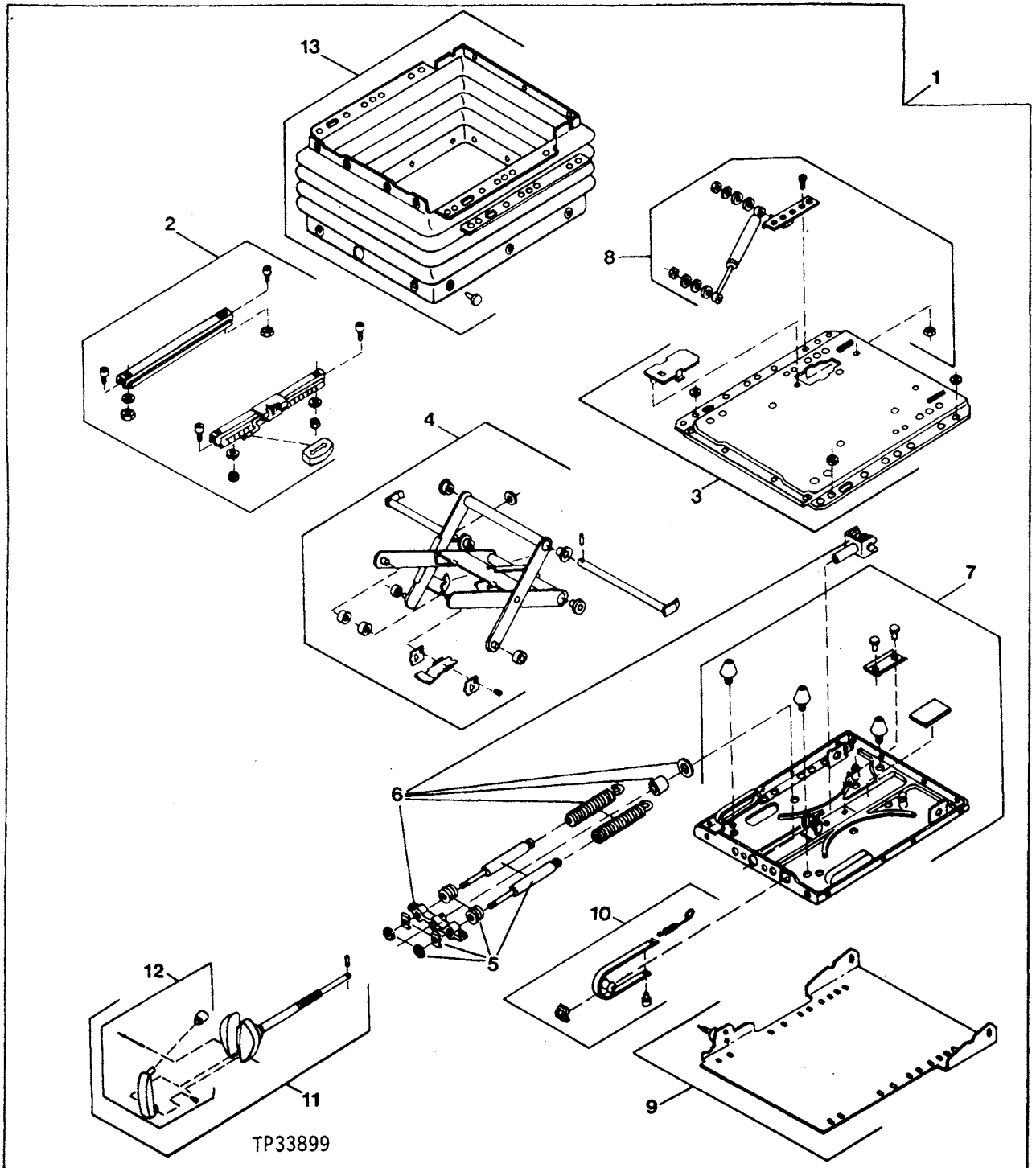
KEY	PART NO.	PART NAME	QTY	SERIAL NO.	REMARKS
1	L42041	BEARING	4		
2	L38855	ROLLER	2		
3	L42042	ROLLER	2		
4	AT135978	PACKAGE OF PARTS	1		SCISSORS



# 2103

## SEAT WEIGHT ADJUSTER ASSEMBLY

TP33899



# 2104

OPERATOR'S STATION 18

SEAT AND SEAT BELTS 1821

## SEAT WEIGHT ADJUSTER ASSEMBLY

KEY	PART NO.	PART NAME	QTY	SERIAL NO.	REMARKS
1	AT161388	SEAT SUSPENSION	1		
2	AT161393	ADJUSTER	1		
3	AT135979	PACKAGE OF PARTS	1		
4	AT135978	PACKAGE OF PARTS	1		
5	AT135980	PACKAGE OF PARTS	1		
6	AT135982	PACKAGE OF PARTS	1		
7	AT135985	PACKAGE OF PARTS	1		
8	AT135981	PACKAGE OF PARTS	1		
9	AT161392	PLATE	1		
10	AT135983	PACKAGE OF PARTS	1		
11	AT161389	WEIGHT	1		
12	AT161390		1		
13	AT117143	BLOWER	1		BELLOWS
	L38892	PLUG	1		
14	AT161388	SEAT SUSPENSION	1		

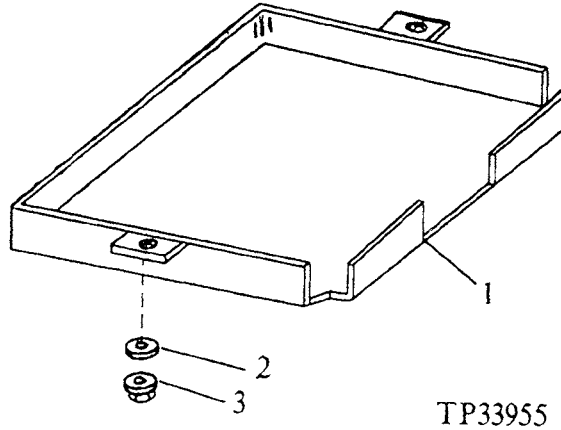
# 2105

OPERATOR'S STATION 18

SEAT AND SEAT BELTS 1821

## SEAT SHELF

TP33955

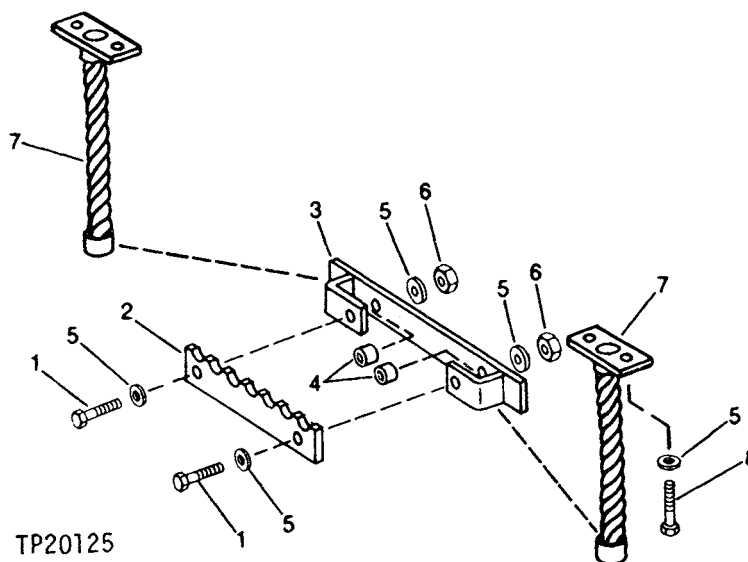


KEY	PART NO.	PART NAME	QTY	SERIAL NO.	REMARKS
1	AT146736	SHELF	1		
2	24M7139	WASHER	2		6.400 X 18 X 1.600 MM
3	14M7303	FLANGE NUT	2		M6

# 2106

## STEP (ENGINE COMPARTMENT)

TP20125

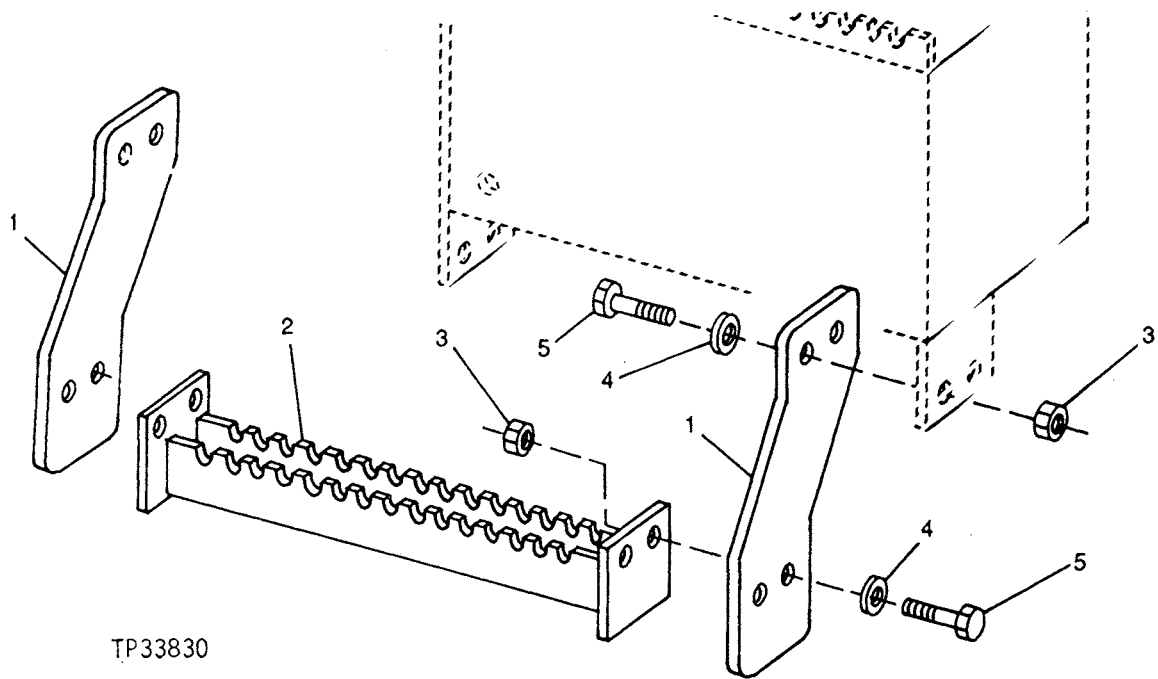


KEY	PART NO.	PART NAME	QTY	SERIAL NO.	REMARKS
1	19M7364	CAP SCREW	2		M12 X 80
2	T101696	STEP	1		
3	AT102677	STEP	1		
4	28H1785	BUSHING	2		
5	24M7240	WASHER	8		13 X 25 X 3 MM
6	14M7275	NUT	2		M12
7	AT82470	CABLE	2		
8	19M8011	CAP SCREW	4		M12 X 30

# 2107

## ENGINE COMPARTMENT STEP

TP33830



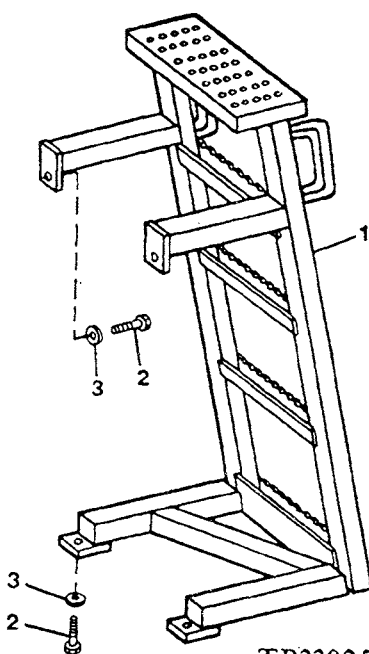
TP33830

KEY	PART NO.	PART NAME	QTY	SERIAL NO.	REMARKS
1	T143407	STRAP	2		
2	AT157991	STEP	1		
3	14M7400	LOCK NUT	8		M10
4	24M7296	WASHER	8		10.500 X 30 X 2.500 MM
5	19M8162	CAP SCREW	8		M10 X 40

# 2108

TP33825

## ACCESS PLATFORM AND STEPS

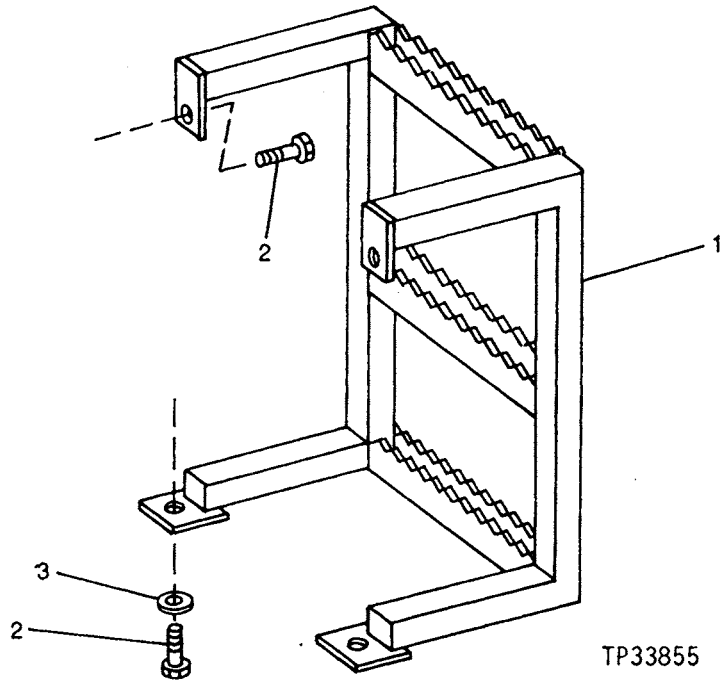


KEY	PART NO.	PART NAME	QTY	SERIAL NO.	REMARKS
1	AT149515	STEP	1		
2	19M7813	SCREW	4		M12 X 45
3	24M7240	WASHER	2		13 X 25 X 3 MM

# 2109

## ACCESS STEPS WITHOUT PLATFORM

TP33855



KEY	PART NO.	PART NAME	QTY	SERIAL NO.	REMARKS
1	AT149650	STEP	1		
2	19M7788	SCREW	4		M12 X 25
3	24M7240	WASHER	2		13 X 25 X 3 MM

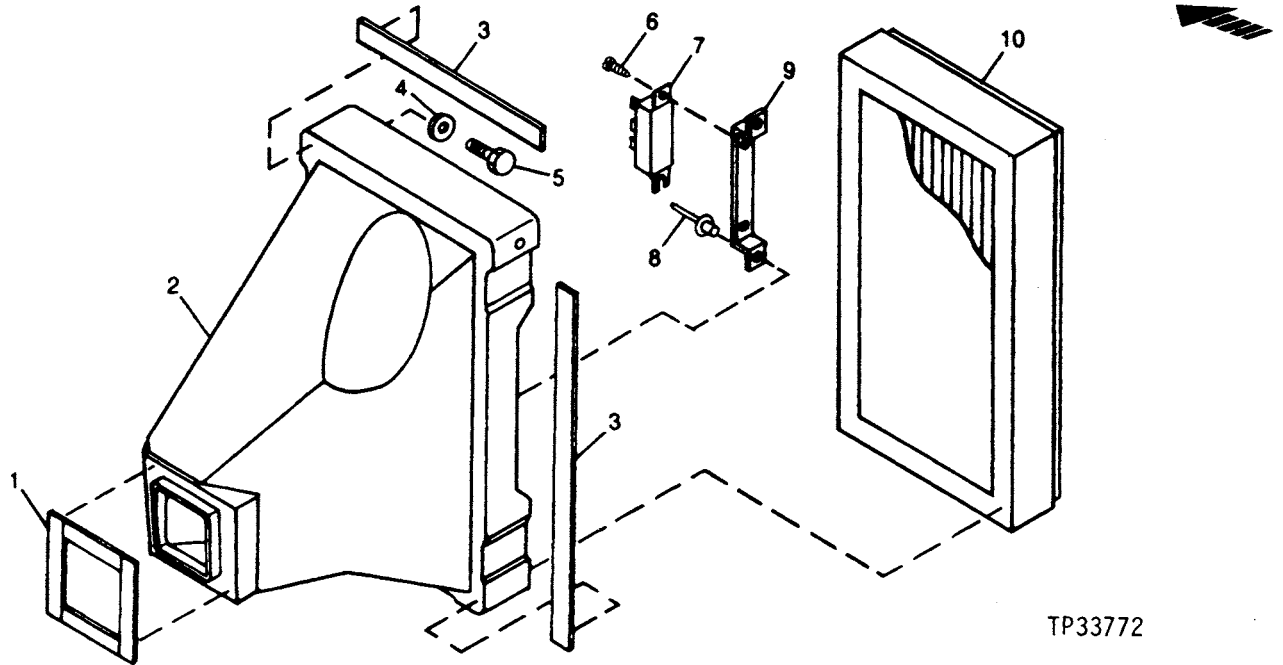
# 2110

OPERATOR'S STATION 18

HEATING AND AIR CONDITIONING 1830

## FRESH AIR HOUSING, FILTER AND BLOWER RESISTOR

TP33772



TP33772

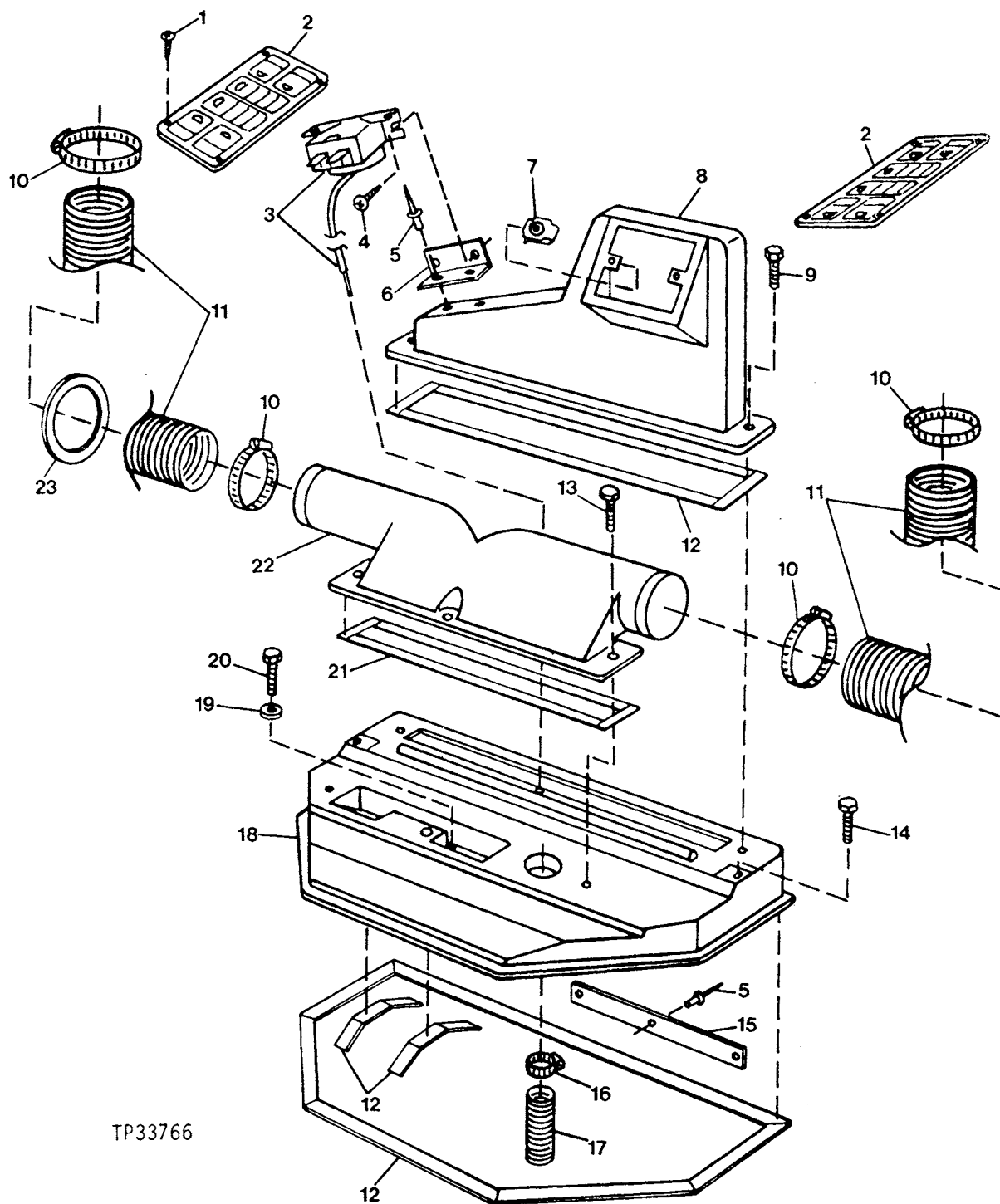
KEY	PART NO.	PART NAME	QTY	SERIAL NO.	REMARKS
1	.....	ISOLATOR	AR		(MAKE FROM T66419 BULK MATERIAL, CUT TO LENGTH)
2	T141320	HOUSING	1		
3	.....	ISOLATOR	AR		(MAKE FROM T59938 BULK MATERIAL, CUT TO LENGTH)
4	24M7139	WASHER	4		
5	19M7300	CAP SCREW	4		6.400 X 18 X 1.600 MM
6	37H43	SCREW	4		M6 X 10
7	AT149370	RESISTOR	2		
8	R79033	RIVET	4		
9	T141279	BRACKET	2		
10	AT103629	AIR FILTER	1		



# 2111

## HEATING AND AIR CONDITIONING 1830 PRESSURIZER HOUSING, FREEZE CONTROL SWITCH, LOUVERS AND DUCTS

TP33766



TP33766

# 2112

OPERATOR'S STATION 18

HEATING AND AIR CONDITIONING 1830

## PRESSURIZER HOUSING, FREEZE CONTROL SWITCH, LOUVERS AND DUCTS

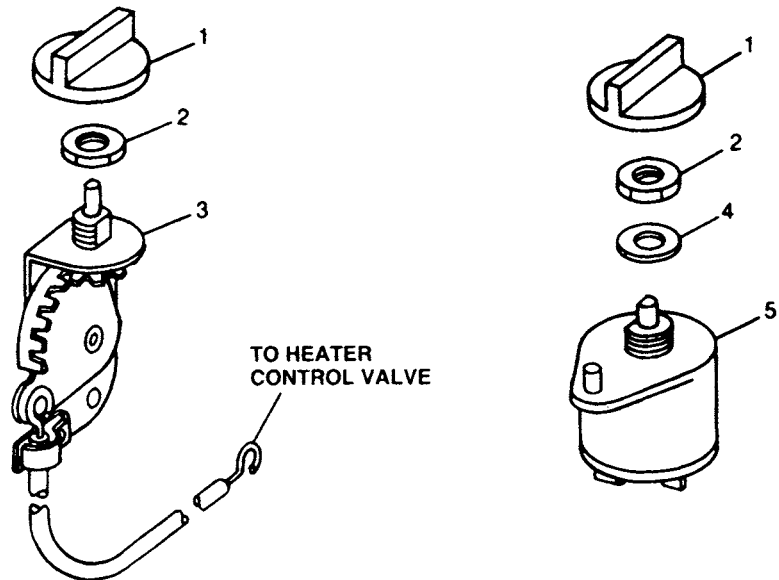
KEY	PART NO.	PART NAME	QTY	SERIAL NO.	REMARKS
1	T83062	SCREW	8		
2	AT147100	LOUVER	2		
3	AT145598	SWITCH	1		
4	21M7278	SCREW	2		M5 X 10
5	R79033	RIVET	5		
6	AT158313	BRACKET	1		
7	M84972	NUT	2		
8	T141175	HOUSING	1		
9	19M7662	CAP SCREW	2		M10 X 30
10	A15595	MOLDBOARD	4		
11	T143145	HOSE	2		
12	.....	ISOLATOR	AR		(MAKE FROM T66419 BULK MATERIAL, CUT TO LENGTH)
13	19M8324	CAP SCREW	2		M10 X 16
14	19M7938	CAP SCREW	2		M10 X 20
15	T137865	STRAP	1		
16	AR21999	CLAMP	1		
17	T143159	HOSE	1		
18	AT151486	HOUSING	1		
19	24M7238	WASHER	2		8.700 X 17 X 2 MM
20	19M7932	CAP SCREW	2		M8 X 16
21	.....	ISOLATOR	AR		(MAKE FROM T59938 BULK MATERIAL, CUT TO LENGTH)
22	T141188	HOUSING	1		
23	T119507	ISOLATOR	2		

# 2113

## CLIMATE CONTROLS (RIGHT CONSOLE)

TP33775

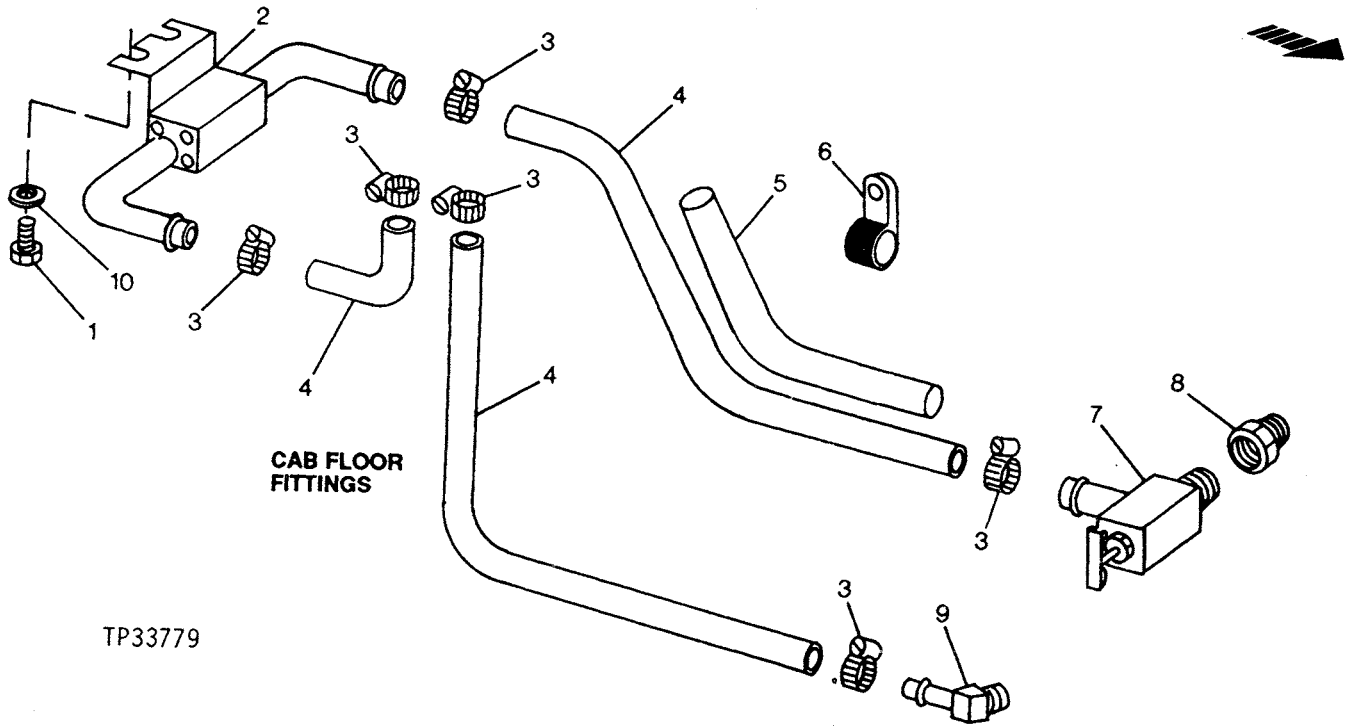
TP33775



KEY	PART NO.	PART NAME	QTY	SERIAL NO.	REMARKS
1	R84156	KNOB	3		
2	R44165	LOCK NUT	3		
3	AT158984	CABLE	1		HEATER VALVE CONTROL
4	24H1272	WASHER	2		9/16" X 1-1/4" X 1/4"
5	AL36529	SWITCH	2		DEFROSTER FAN AND BLOWER FAN

## HEATER HOSES AND CONTROL VALVE

TP33779



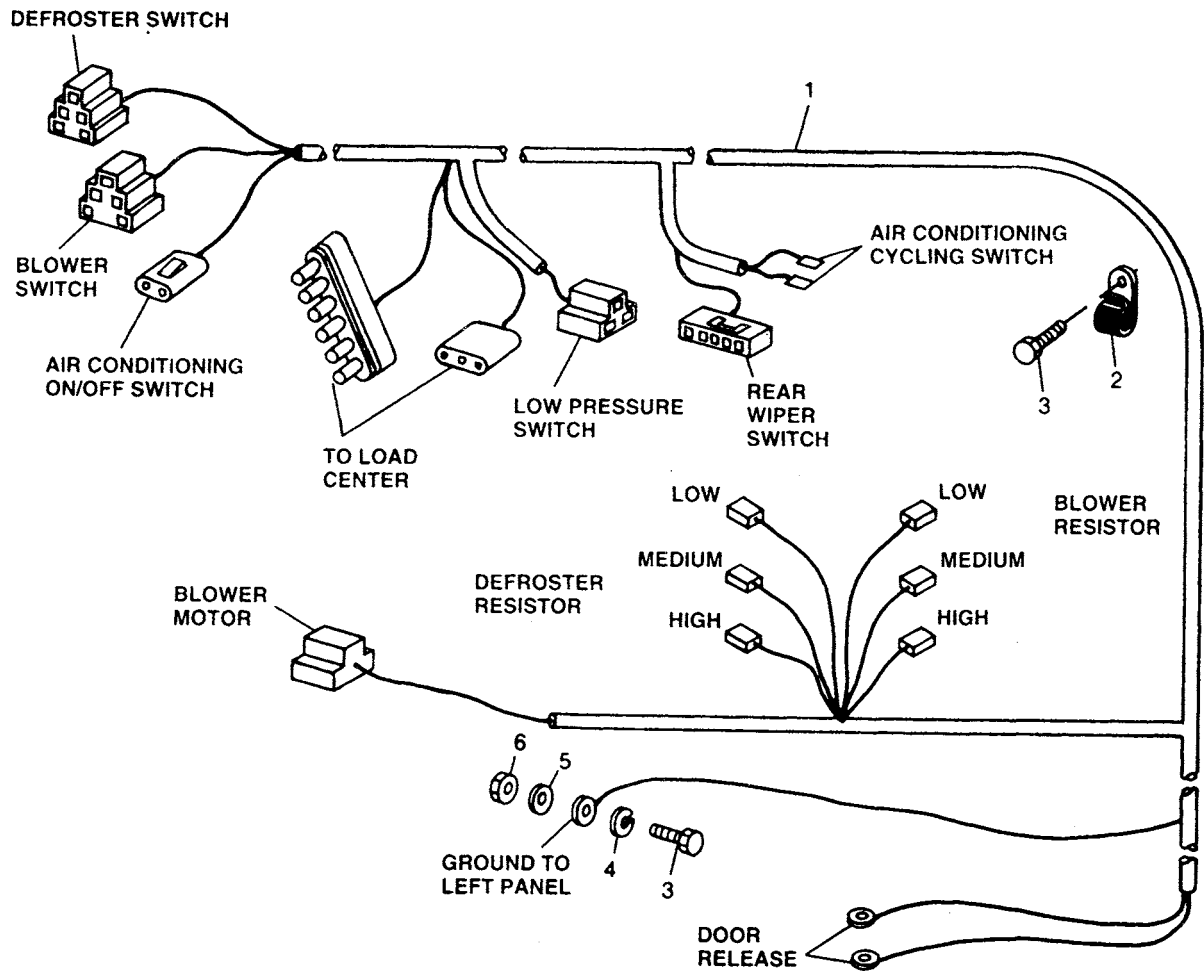
TP33779

KEY	PART NO.	PART NAME	QTY	SERIAL NO.	REMARKS
1	19M7775	SCREW	2		M6 X 16
2	AT157625	VALVE	1		
3	AR21837	CLAMP	6		
4	.....	HOSE	AR		(MAKE FROM T60811 BULK MATERIAL, CUT TO LENGTH)
5	T102521	CLAMP	1		
6	P42987	CLAMP	1		HEATER HOSE TO ENGINE FRONT GEAR COVER EAR
7	AT35831	VALVE	1		HEATER HOSE TO ENGINE BLOCK
8	15H586	ADAPTER	1		3/8", ENGINE BLOCK PORT
9	T27077	HOSE FITTING	1		HEATER HOSE TO WATER PUMP
10	24M7139	WASHER	2		6.400 X 18 X 1.600 MM

# 2115

## LEFT PANEL TEMPERATURE CONTROL WIRING HARNESS

TP33773



TP33773

# 2116

OPERATOR'S STATION 18

HEATING AND AIR CONDITIONING 1830

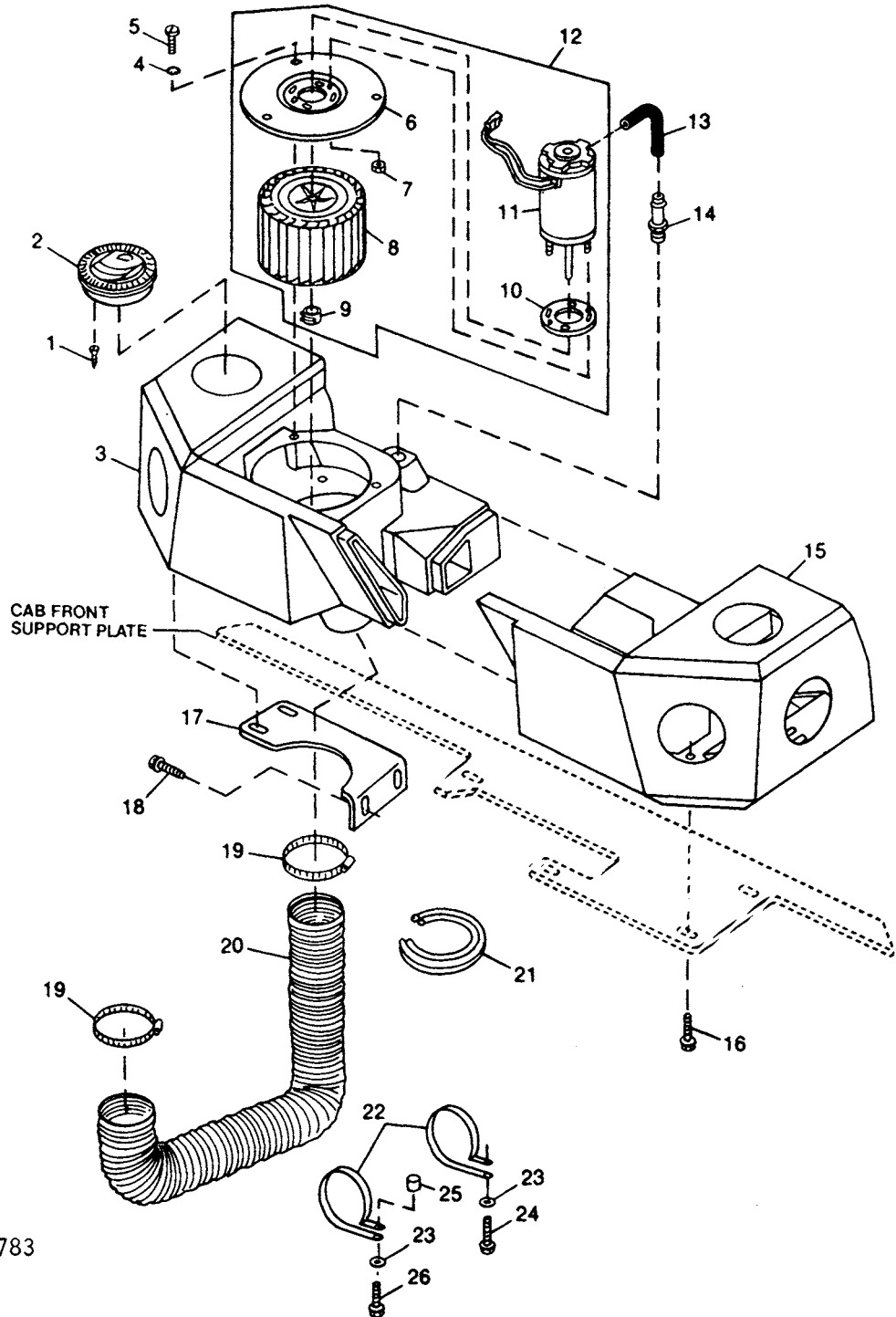
## LEFT PANEL TEMPERATURE CONTROL WIRING HARNESS

KEY	PART NO.	PART NAME	QTY	SERIAL NO.	REMARKS
1	AT149893	WIRING HARNESS	1		
2	T74412	CLAMP	1		
3	19M7938	CAP SCREW	2		M10 X 20
4	12M7033	LOCK WASHER	1		10.500 MM
5	24M7239	WASHER	1		10.700 X 21 X 2.500 MM
6	14M7274	NUT	1		

# 2117

## DEFROSTER

TP33783



TP33783

# 2118

OPERATOR'S STATION 18

HEATING AND AIR CONDITIONING 1830

## DEFROSTER

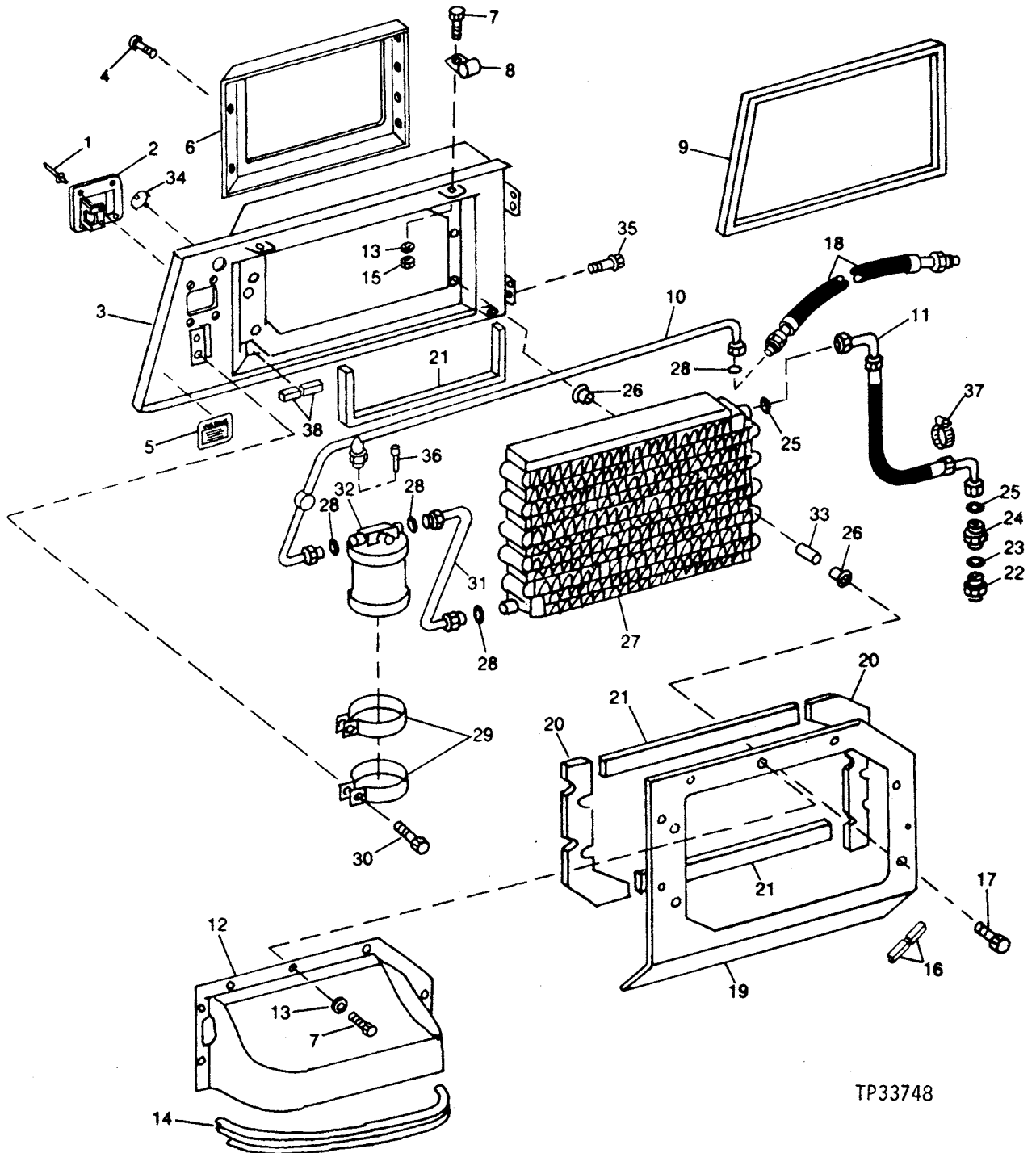
KEY	PART NO.	PART NAME	QTY	SERIAL NO.	REMARKS
1	37M7186	SCREW	12		
2	AT151036	LOUVER	6		
3	AT150914	AIR DUCT	1		
4	12H295	LOCK WASHER	3		NO. 10
5	21H1300	SCREW	3		NO. 10 X 3/8"
6	RE36134	PLATE	6		
7	T531T	LOCK NUT	2		
8	R93175	IMPELLER	1		
9	R97332	CLIP	1		
10	R97333	GASKET	1		
11	RE37152	MOTOR	1		
12	AT158565		1		
13	R97336	TUBE	1		
14	T29388	UNION FITTING	1		
15	AT150913	AIR DUCT	1		
16	19M7784	SCREW	6		M10 X 20
17	T137795	BRACKET	1		
18	19M7785	SCREW	2		M10 X 25
19	AR21999	CLAMP	2		
20	T143191	HOSE	1		
21	.....	ISOLATOR	AR		EDGE OF HOLE IN CAB FLOOR (MAKE FROM T63949 BULK MATERIAL, CUT TO LENGTH)
22	R35794	CLAMP	2		
23	24M7239	WASHER	2		10.700 X 21 X 2.500 MM
24	19M7938	CAP SCREW	1		M10 X 20
25	28H2634	BUSHING	1		0.546" X 0.840" X 2-3/8"
26	19M8081	CAP SCREW	1		M10 X 80



# 2119

## CONDENSER DOOR AND REFRIGERENT LINES

TP33748



TP33748

# 2120

OPERATOR'S STATION 18

HEATING AND AIR CONDITIONING 1830

## CONDENSER DOOR AND REFRIGERENT LINES

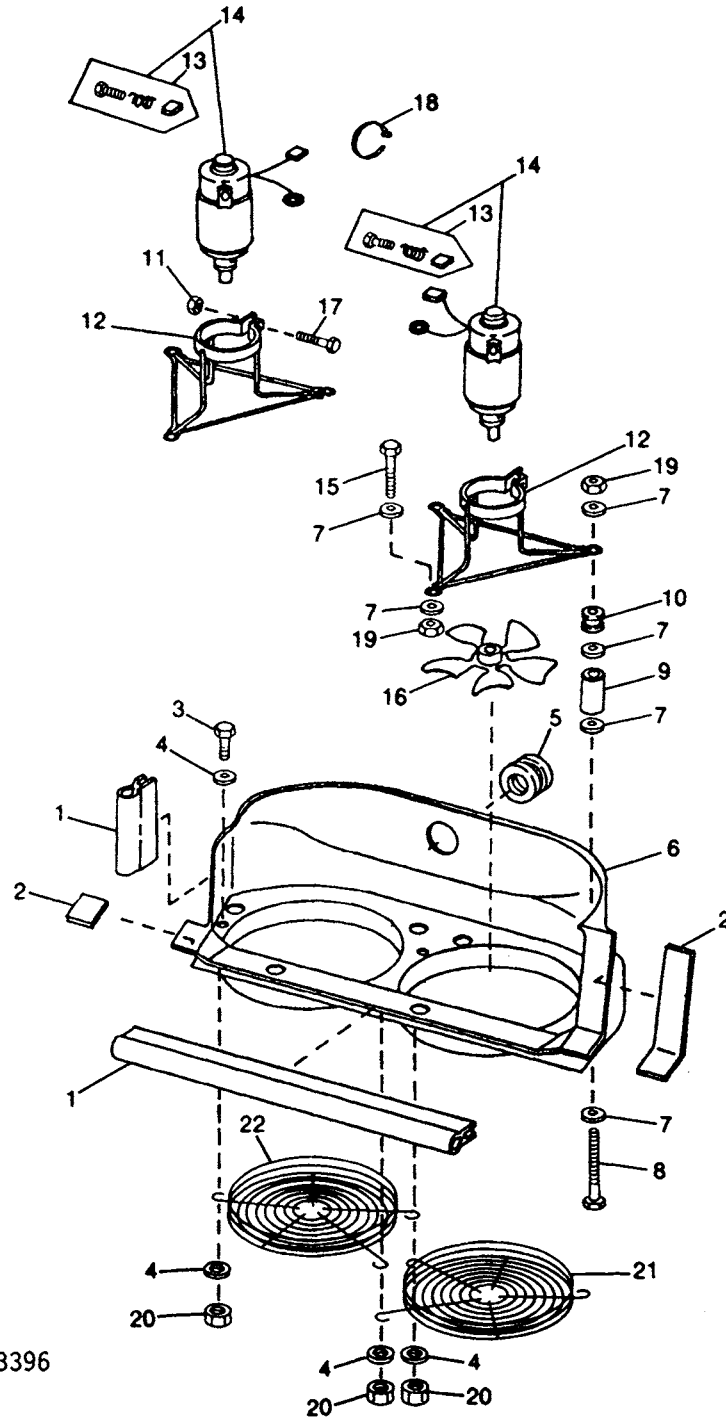
KEY	PART NO.	PART NAME	QTY	SERIAL NO.	REMARKS
1	H85233	RIVET	5		0.114"
2	AT146694	LATCH	2		
3	AT151198	DOOR	1		
4	19M7774	SCREW	6		M6 X 12
5	T138914	LABEL	1		
6	AT146704	DOOR	1		
7	19M7932	CAP SCREW	8		M8 X 16
8	T78974	CLAMP	2		
9	.....	ISOLATOR	1		(MAKE FROM T59938 BULK MATERIAL, CUT TO LENGTH)
	.....	TAPE	AR		(MAKE FROM T119593 BULK MATERIAL, CUT TO LENGTH)
10	AT156456	TUBE	1		
11	AT157331	HOSE	1		
12	T143203	HOUSING	1		
13	24M7238	WASHER	8		8.700 X 17 X 2 MM
14	.....	ISOLATOR	AR		(MAKE FROM T66420 BULK MATERIAL, CUT TO LENGTH)
15	14M7273	NUT	2		M8
16	.....	MOLDING	AR		(MAKE FROM T58056 BULK MATERIAL, CUT TO LENGTH)
17	19M7873	SCREW	4		M8 X 110
18	AT157439	HOSE	1		
19	AT116962	PLATE	1		
20	T102872	ISOLATOR	2		
21	.....	ISOLATOR	AR		(MAKE FROM T59937 BULK MATERIAL, CUT TO LENGTH)
22	AH21762	INTERNAL HALF COUPLER	1		
23	T143169	O-RING	1		
24	T102867	ADAPTER	1		
25	R113050	RING	2		
26	AT116162	RUBBER MOUNT	8		
27	AT83363	VAPOR CONDENSER	1		
28	R10093	O-RING	4		
29	R53422	CLAMP	2		
30	19M7358	CAP SCREW	2		M10 X 40
31	AT156455	TUBE	1		
32	AT125596	RECEIVER-DRYER	1		
33	28H2016	BUSHING	4		
34	R36590	PLUG	1		
35	19M7783	SCREW	4		M10 X 16
36	R60170	VALVE	1		
37	R44302	TIE BAND	1		
38	.....	ISOLATOR	AR		(MAKE FROM AT58772 BULK MATERIAL, CUT TO LENGTH)

AT117237 AIR CONDITIONING PACKAGE INCLUDES ALL CAB PARTS REQUIRED: AIR CONDITIONING WIRING, AIR CONDITIONING SYSTEM AND AIR CONDITIONING CONDENSER SYSTEM. ORDER EXTERNAL PARTS INDIVIDUALLY THROUGH YOUR DEALER.

# 2121

## CONDENSER HOUSING WITH FANS

TP33396



TP33396

THIS PARTS LISTING IS CONTINUED

# 2122

OPERATOR'S STATION 18

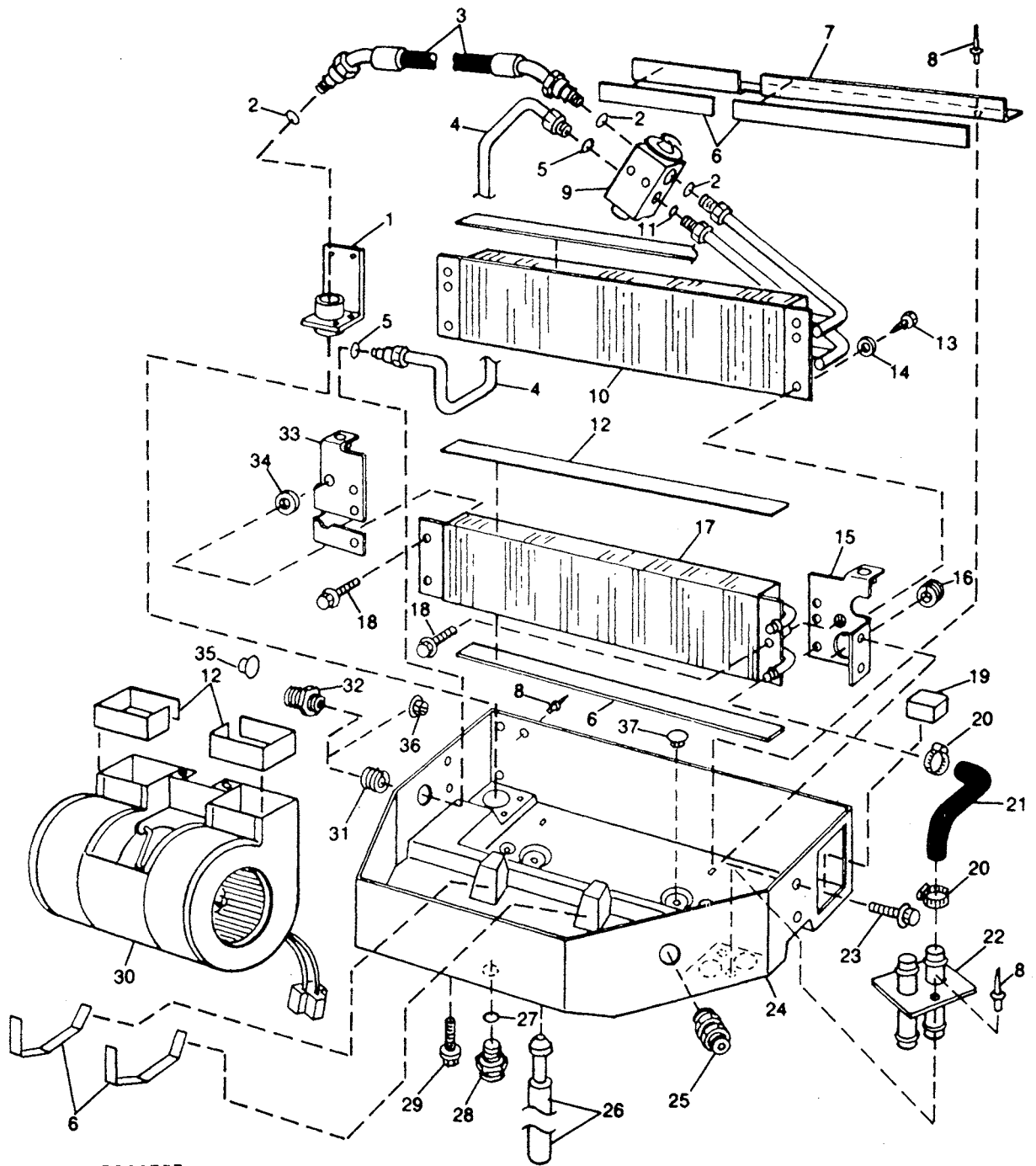
HEATING AND AIR CONDITIONING 1830

## CONDENSER HOUSING WITH FANS

KEY	PART NO.	PART NAME	QTY	SERIAL NO.	REMARKS
1	.....	ISOLATOR	2		(MAKE FROM T63949 BULK MATERIAL, CUT TO LENGTH)
2	.....	ISOLATOR	2		(MAKE FROM T59937 BULK MATERIAL, CUT TO LENGTH)
3	19M7513	CAP SCREW	4		M8 X 30
4	24M7238	WASHER	8		8.700 X 17 X 2 MM
5	R41440	GROMMET	1		
6	T102871	HOUSING	1		
7	24M7055	WASHER	22		8.400 X 16 X 1.600 MM
8	19M7274	CAP SCREW	4		M8 X 70
9	28H1633	BUSHING	4		
10	T70154	GROMMET	6		
11	14M7167	LOCK NUT	2		M10
12	AT83366	SUPPORT	2		
13	AT76672	KIT	2		BRUSH
14	AT74836	MOTOR	2		
15	19M7163	CAP SCREW	2		M8 X 25
16	AT83367	FAN	2		
17	19M7662	CAP SCREW	2		M10 X 30
18	R44302	TIE BAND	2		MOTOR WIRES TO MOTOR MOUNTS
19	14M7327	NUT	6		M8
20	14M7273	NUT	4		M8
21	AT156513	COVER	1		FRONT
22	AT156514	COVER	1		REAR

## HEATING AND AIR CONDITIONING 1830 PRESSURIZER HOUSING, BLOWER FAN, EVAPORATOR AND EXPANSION VALVE

TP33757



TP33757

HEATING AND AIR CONDITIONING 1830

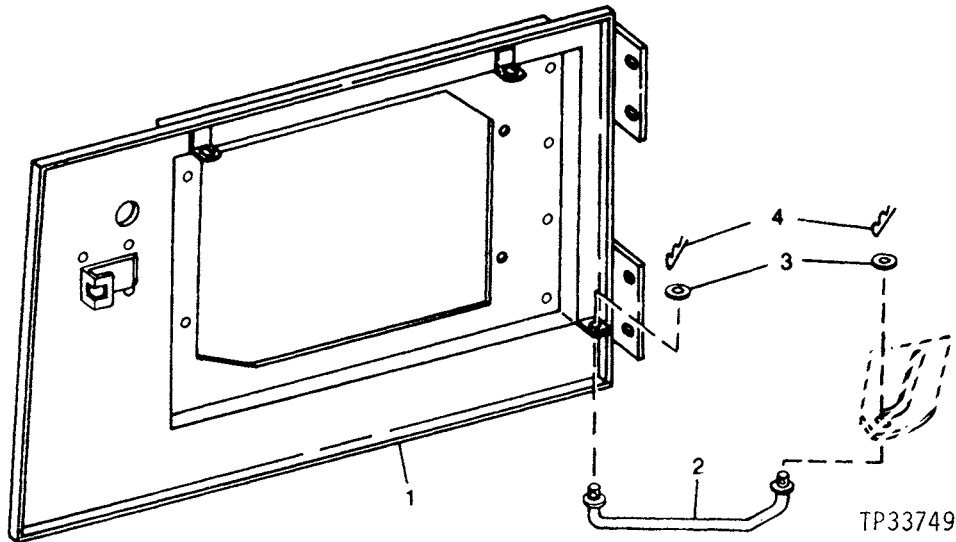
**PRESSURIZER HOUSING, BLOWER FAN, EVAPORATOR AND EXPANSION VALVE**

KEY	PART NO.	PART NAME	QTY	SERIAL NO.	REMARKS
1	AT160094	BRACKET	1		
2	R33259	O-RING	3		
3	AT160074	HOSE	1		
4	AT151813	TUBE	1		
5	R10093	O-RING	2		
6	.....	DOCUMENT	AR		(MAKE FROM T66419 BULK MATERIAL, CUT TO LENGTH)
7	T145366	ANGLE	1		
8	R79033	RIVET	9		
9	AH122867	VALVE	1		
10	AT159776	EVAPORATOR	1		
11	R113050	RING	1		
12	.....	ISOLATOR	AR		(MAKE FROM T59937 BULK MATERIAL, CUT TO LENGTH)
13	37H43	SCREW	6		
14	24M7146	WASHER	6		
15	AT151419	PLATE	1		
16	H91811	GROMMET	1		
17	AT79955	HEATER	1		
18	19M8319	SCREW	2		M8 X 50
19	M89366	FOAM PAD	1		
20	AR21837	CLAMP	4		
21	T141507	HOSE	1		LOWER HEATER CORE CONNECTION
	T141508	HOSE	1		UPPER HEATER CORE CONNECTION
22	AT146660	SUPPORT	1		
23	19M7938	CAP SCREW	4		M10 X 20
24	AT151487	HOUSING	1		
25	AT151736	GROMMET	1		
26	AT117116	TUBE	2		
27	T143166	O-RING	1		
28	T102868	ADAPTER	1		
29	19M7783	SCREW	3		M10 X 16
30	AT147023	BLOWER	1		
31	T65643	GROMMET	1		
32	AR58147	INTERNAL HALF COUPLER	1		
33	AT151418	PLATE	1		
34	M40463	WASHER	2		

# 2125

## CONDENSER DOOR (LIMITER AND HOLD-OPEN DEVICE)

TP33749

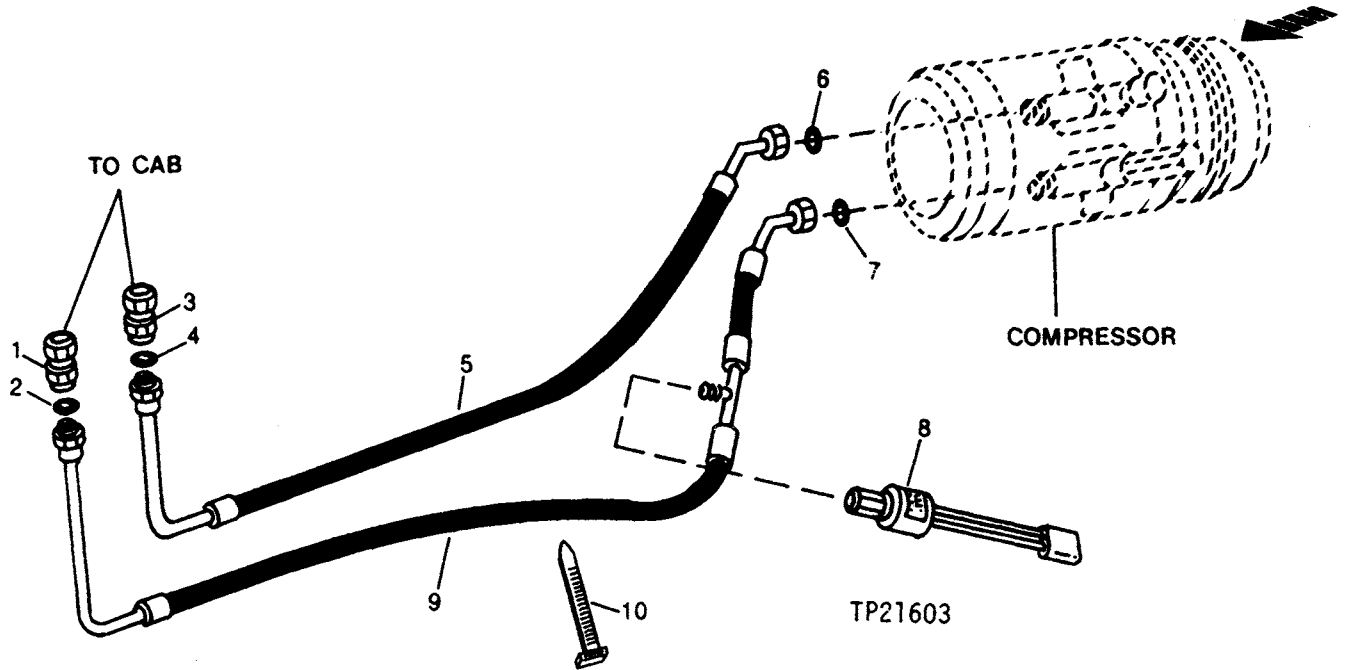


KEY	PART NO.	PART NAME	QTY	SERIAL NO.	REMARKS
1	AT151198	DOOR	1		
2	AT117089	ROD	1		
3	24M7239	WASHER	2		10.700 X 21 X 2.500 MM
4	R46528	SPRING LOCKING PIN	2		

# 2J01

## REFRIGERANT LINES

TP21603



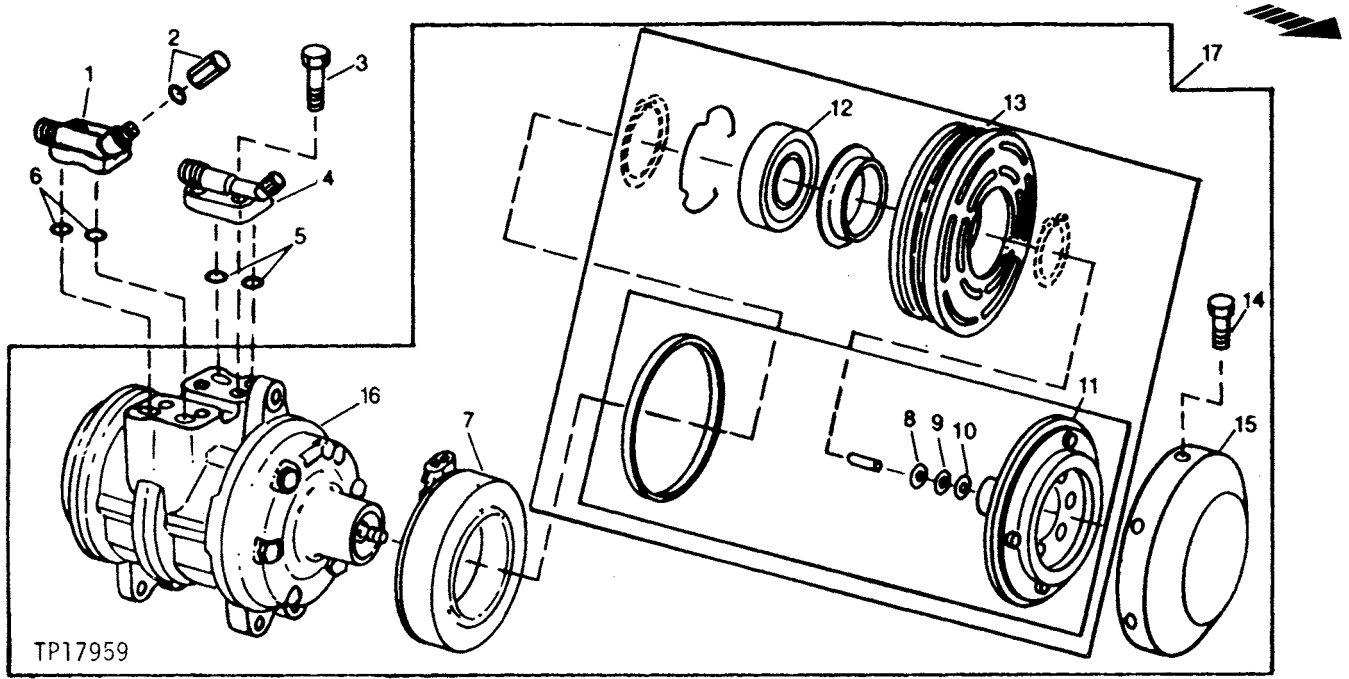
KEY	PART NO.	PART NAME	QTY	SERIAL NO.	REMARKS
1	AH21763	EXTERNAL HALF COUPLER	1		
2	T143169	O-RING	1		
3	AR58287	EXTERNAL HALF COUPLER	1		
4	T143166	O-RING	1		
5	AT161037	HOSE	1		
6	R33259	O-RING	1		
7	R113050	RING	1		
8	AT63265	SWITCH	1		
9	AT161036	HOSE	1		
10	H77698	TIE BAND	1		



# 2J02

## COMPRESSOR CLUTCH AND SERVICE VALVES

TP17959



TP17959

KEY	PART NO.	PART NAME	QTY	TRACTOR SERIAL NO.	REMARKS
1	RE10981	MANIFOLD	1		
2	RE10982	VALVE	1		
3	R77398	SCREW	4		
4	RE10980	MANIFOLD	1		
5	R77401	O-RING	2		
6	R77400	PACKING	2		
7	R85688	STATOR	1		
8	R77391	SHIM	AR		
9	R77392	SHIM	AR		
10	R77393	SHIM	AR		
11	RE10974	KIT	1		
12	R77394	BEARING	1		
13	RE10975	KIT	1		
14	R77390	SCREW	6		
15	R77389	COVER	1		
16	TY6626	COMPRESSOR	1		(REMANUFACTURED)
17	.....	COMPRESSOR	1		

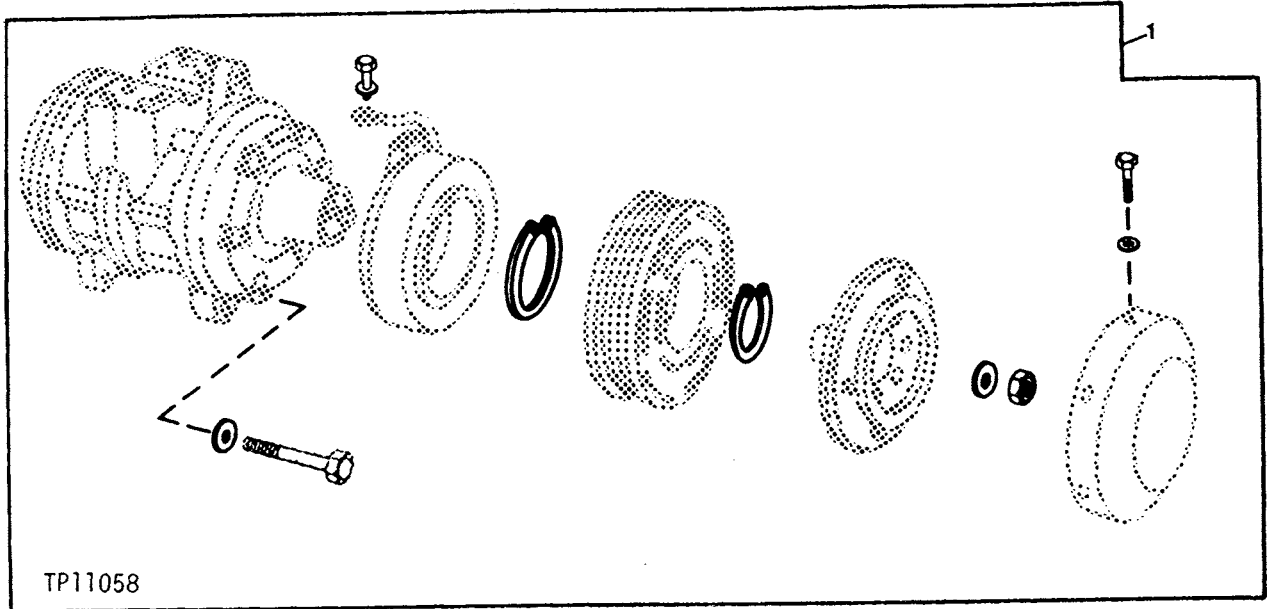
# 2J03

OPERATOR'S STATION 18

HEATING AND AIR CONDITIONING 1830

## COMPRESSOR HARDWARE KIT

TP11058

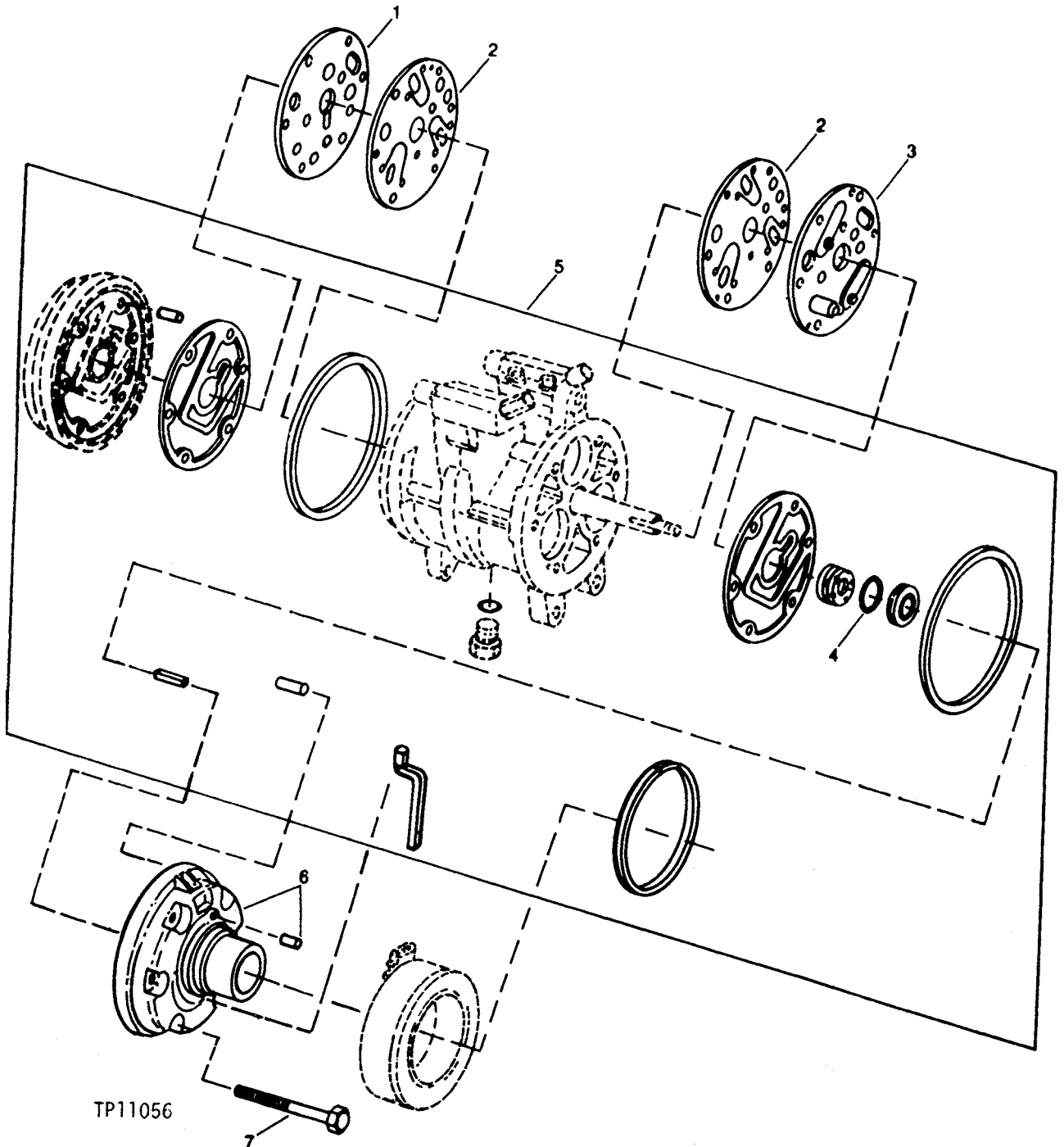


KEY	PART NO.	PART NAME	QTY	SERIAL NO.	REMARKS
1	RE10976	KIT	1		

# 2J04

## COMPRESSOR SHAFT SEAL KIT

TP11056



TP11056

# 2J05

OPERATOR'S STATION 18

HEATING AND AIR CONDITIONING 1830

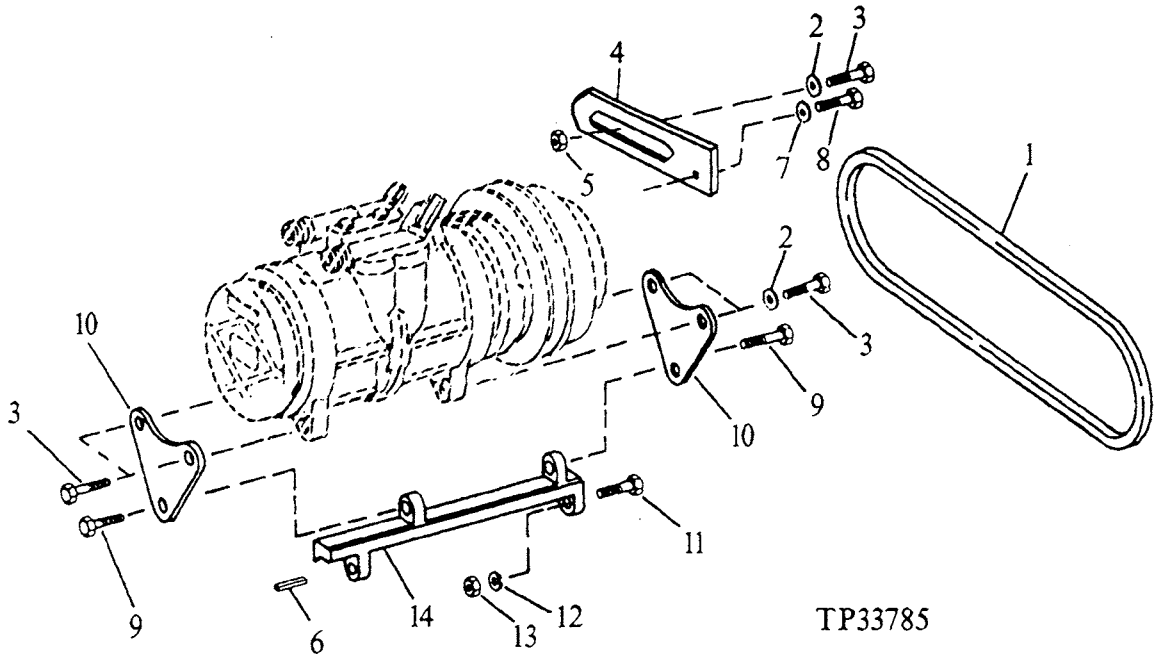
## COMPRESSOR SHAFT SEAL KIT

KEY	PART NO.	PART NAME	QTY	SERIAL NO.	REMARKS
1	RE10979	PLATE	1		
2	R77397	VALVE	2		
3	RE10978	PLATE	1		
4	R77399	PACKING	1		
5	RE10973	KIT	1		SEAL
6	RE10977	CYLINDER HEAD	1		FRONT HEAD
7	R77396	BOLT	6		

# 2J06

## AIR CONDITIONER COMPRESSOR MOUNTING BRACKETS

TP33785



TP33785

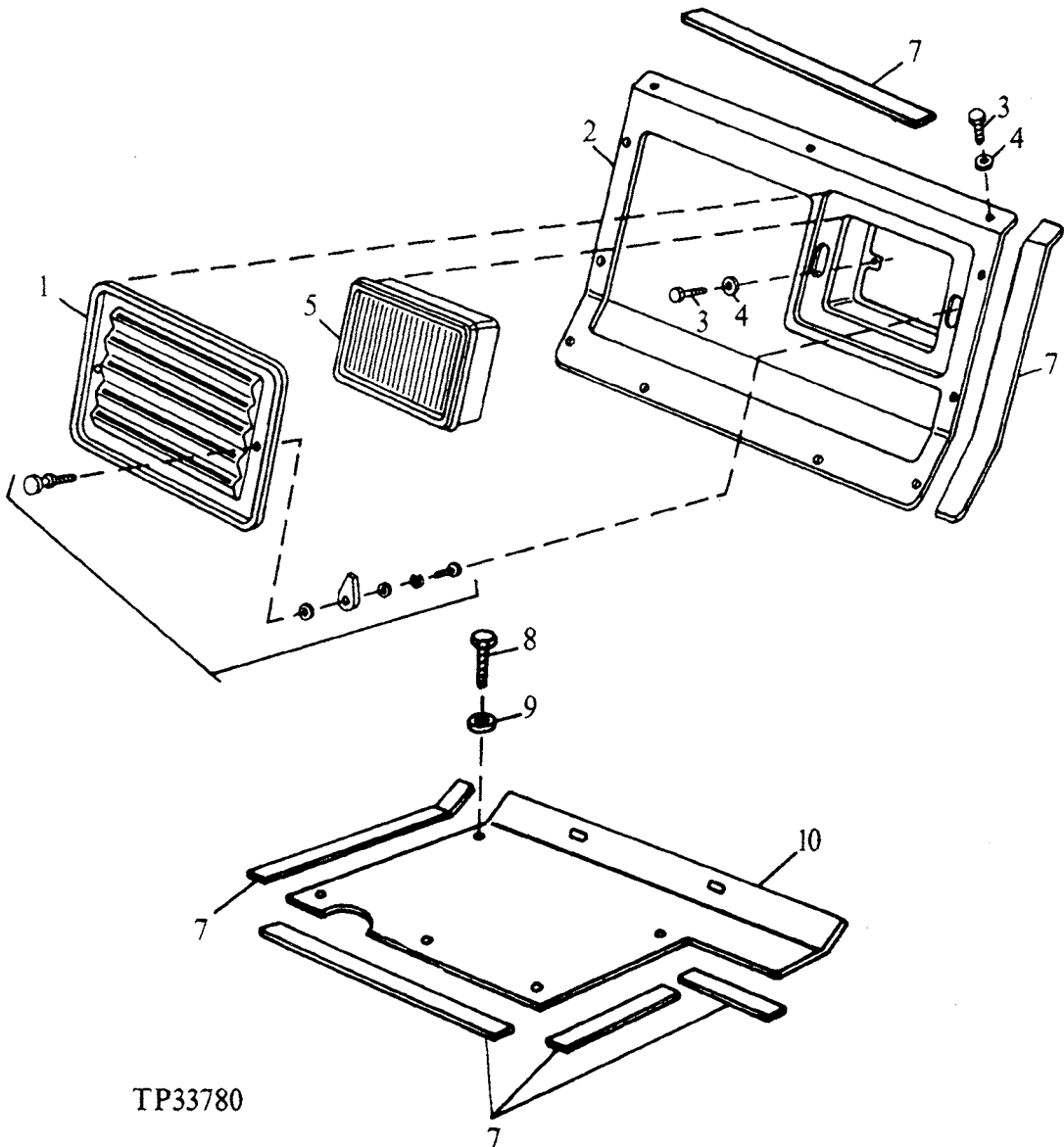
KEY	PART NO.	PART NAME	QTY	SERIAL NO.	REMARKS
1	R73189	BELT	1		
2	24M7239	WASHER	5		10.700 X 21 X 2.500 MM
3	19M8007	CAP SCREW	5		M10 X 25
4	T119553	STRAP	1		
5	14M7273	NUT	1		M8
6	34H383	SPRING PIN	1		7/16" X 2-1/2"
7	24M7238	WASHER	1		8.700 X 17 X 2 MM
8	19M7164	CAP SCREW	1		M8 X 50
9	19M8011	CAP SCREW	2		M12 X 30
10	R71197	BRACKET	2		
11	19M7753	CAP SCREW	1		M12 X 70
12	12M7067	LOCK WASHER	1		12 MM
13	14M7275	NUT	1		M12
14	R71196	SUPPORT	1		

**MEMORANDA**

# 2J07

## CAB REAR PANEL AND RECIRCULATION FILTER

TP33780



TP33780

# 2J08

OPERATOR'S STATION 18

HEATING AND AIR CONDITIONING 1830

## CAB REAR PANEL AND RECIRCULATION FILTER

KEY	PART NO.	PART NAME	QTY	SERIAL NO.	REMARKS
1	T141608	COVER	1		
2	T141174	PANEL	1		
3	19M7775	SCREW	13		M6 X 16
4	24M7139	WASHER	13		6.400 X 18 X 1.600 MM
5	T141760	AIR FILTER	1		
6	AT151931	LATCH	1		
7	.....	ISOLATOR	AR		(MADE FROM T66419 BULK MATERAIL, CUT TO LENGTH)
8	19M7932	CAP SCREW	8		M8 X 16
9	24M7238	WASHER	8		8.700 X 17 X 2 MM
10	AT146644	BASE	10		



**MEMORANDA**

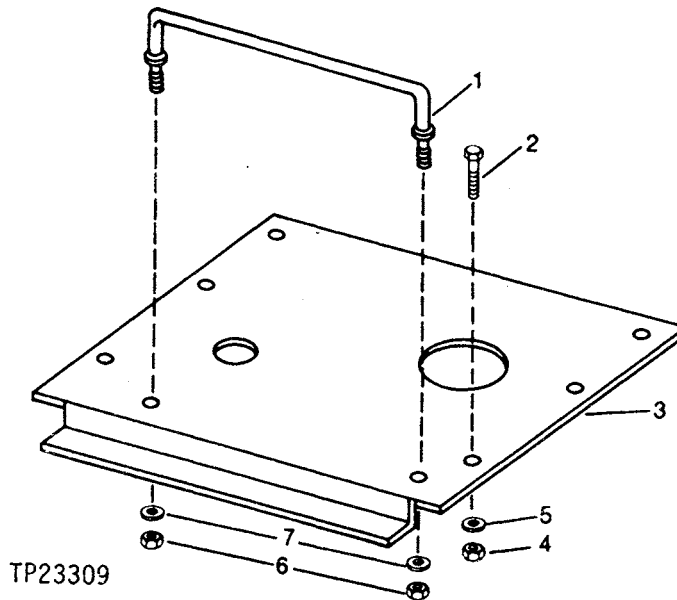
# 2J09

SHEET METAL AND STYLING 19

HOOD OR ENGINE ENCLOSURE 1910

## HOOD

TP23309



KEY	PART NO.	PART NAME	QTY	SERIAL NO.	REMARKS
1	T102540	HANDLE	1		
2	19M7785	SCREW	6		M10 X 25
3	AT161102	HOOD	1		
4	14M7400	LOCK NUT	6		M10
5	24M7296	WASHER	6		10.500 X 30 X 2.500 MM
6	14H1076	NUT	2		3/8"
7	24M7239	WASHER	2		10.700 X 21 X 2.500 MM

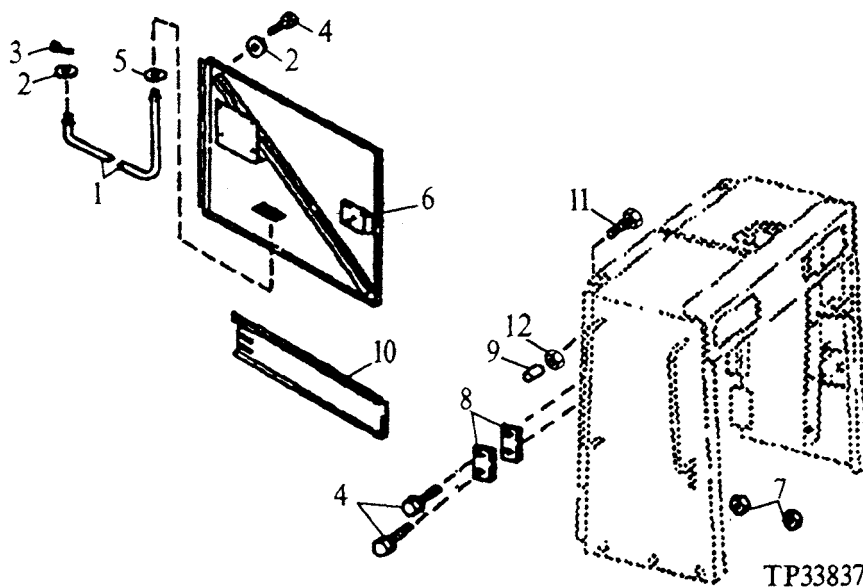
# 2J10

SHEET METAL AND STYLING 19

HOOD OR ENGINE ENCLOSURE 1910

## ENGINE SIDE SHIELDS

TP33837



TP33837

KEY	PART NO.	PART NAME	QTY	SERIAL NO.	REMARKS
1	AT102996	ROD	2		
2	24M7239	WASHER	8		10.700 X 21 X 2.500 MM
3	R46528	SPRING LOCKING PIN	4		
4	19M7785	SCREW	10		M10 X 25
5	24H1307	WASHER	2		13/32" X 1" X 1/16"
6	AT115875	LATCH	1		
	AT161092	SHIELD	1		ENGINE RIGHT
	AT161093	SHIELD	1		ENGINE LEFT (NOT ILLUSTRATED)
	H85233	RIVET	4		
7	14M7296	FLANGE NUT	4		M10
8	T102719	PLATE	2		
9	T101955	BUMPER	4		
10	AT141844	SHIELD	1		LOWER LEFT
	AT141872	SHIELD	1		LOWER RIGHT
11	19M7805	SCREW	4		M10 X 45
12	14M7152	NUT	4		M10

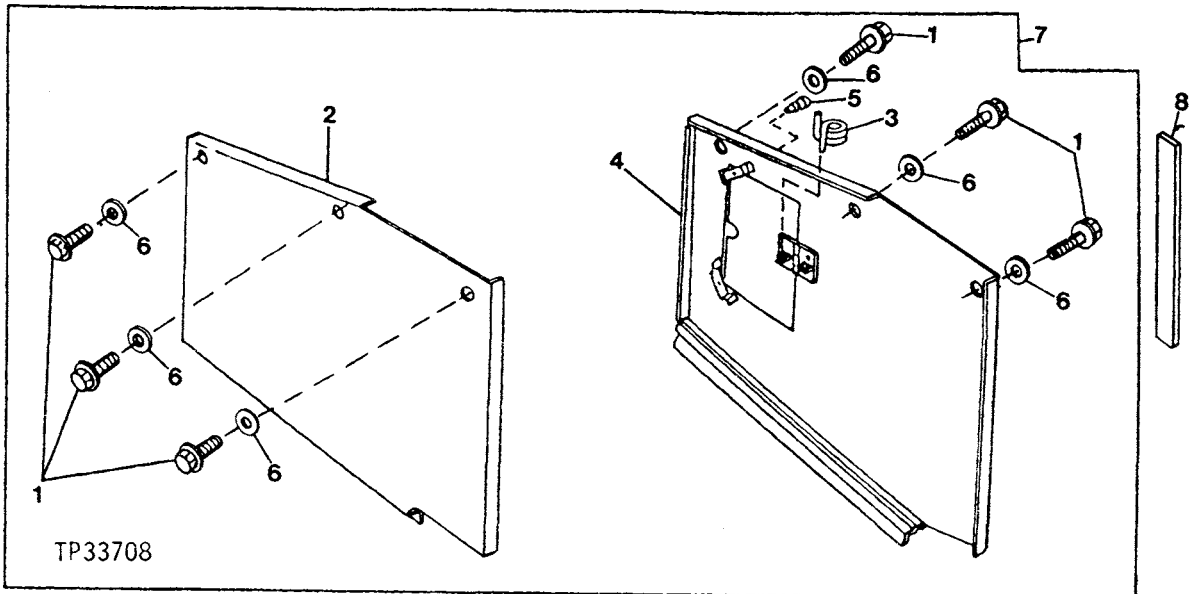
# 2J11

SHEET METAL AND STYLING 19

MISCELLANEOUS SHIELDS 1913

## TRANSMISSION SHIELDS

TP33708



KEY	PART NO.	PART NAME	QTY	SERIAL NO.	REMARKS
1	19M7785	SCREW	6		M10 X 25
2	T143563	GUARD	1		R.H.
3	T83485	SPRING	2		
4	AT158155	GUARD	1		L.H.
5	U43021	BUMPER	3		
6	24M7239	WASHER	6		10.700 X 21 X 2.500 MM, LEFT
7	<b>AT158149</b>	<b>SHIELD</b>	1		
8	.....	ISOLATOR	4		(MAKE FROM T66419 BULK MATERIAL, CUT TO LENGTH) (INSIDE SURFACE OF ENGINE FRAME LOWER RETAINING GUSSET)

---

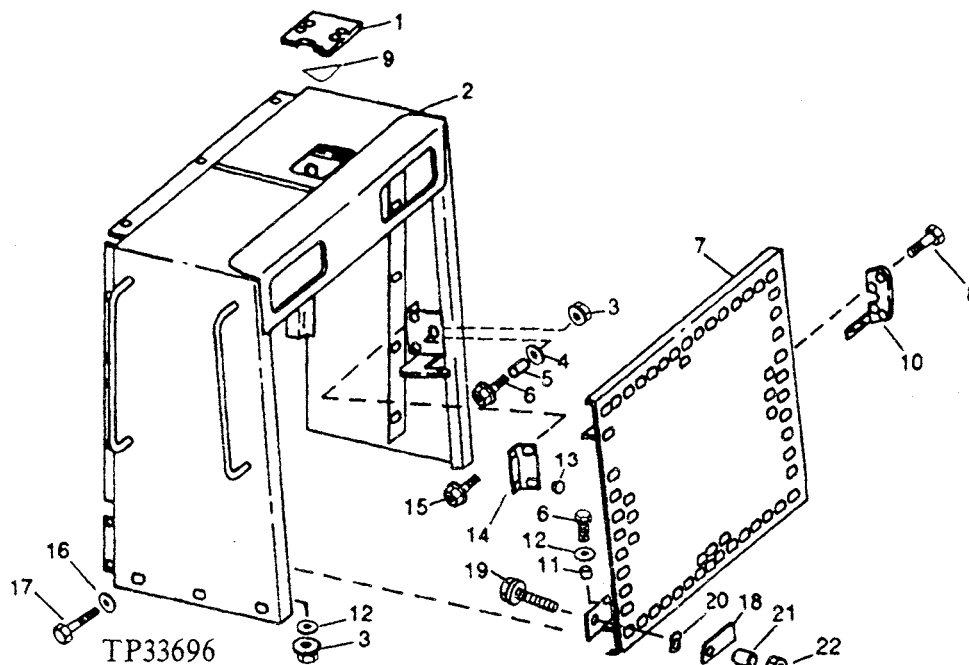
**MEMORANDA**

---

# 2J13

## GRILLE AND GRILLE HOUSING

TP33696



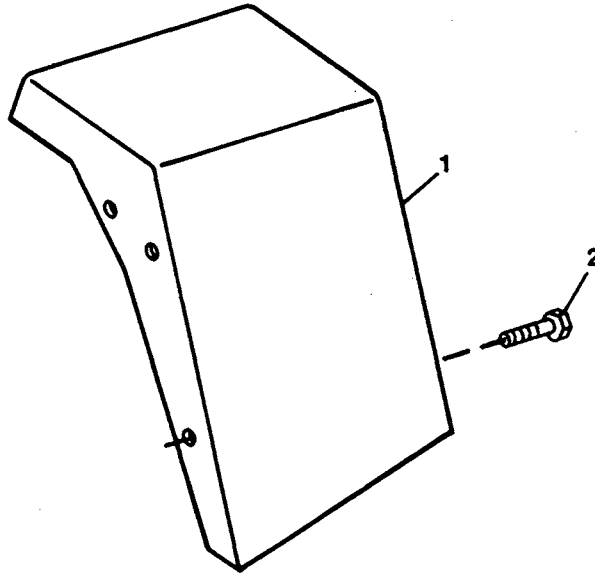
KEY	PART NO.	PART NAME	QTY	SERIAL NO	REMARKS
1	AT150205	COVER	1		
2	AT150792	HOUSING	1		
3	14M7296	FLANGE NUT	2		M10
4	24M7296	WASHER	1		10.500 X 30 X 2.500 MM
5	T101975	BUSHING	1		
6	19M7808	SCREW	3		M10 X 65
7	AT150673	GRILLE	1		
8	19H1914	CAP SCREW	4		1/4" X 1"
9	T145667	GUARD	1		PROTECTIVE FILM
10	AT103454	LATCH	1		
11	T52049	BUSHING	2		
12	24M7240	WASHER	3		13 X 25 X 3 MM
13	T21387	PLUG	2		
14	T101963	ANGLE	1		
15	19M7784	SCREW	2		M10 X 20
16	24M7241	WASHER	6		17 X 34 X 4 MM
17	19M7394	CAP SCREW	6		M16 X 25
18	T103247	STRAP	1		
19	19M7835	SCREW	1		M10 X 35
20	M41554	WASHER	1		
21	28H860	WASHER	1		0.423" X 0.675" X 3/8"
22	14M7167	LOCK NUT	2		M10

**MEMORANDA**

# 2J14

## FRONT FENDERS

TP33819



TP33819

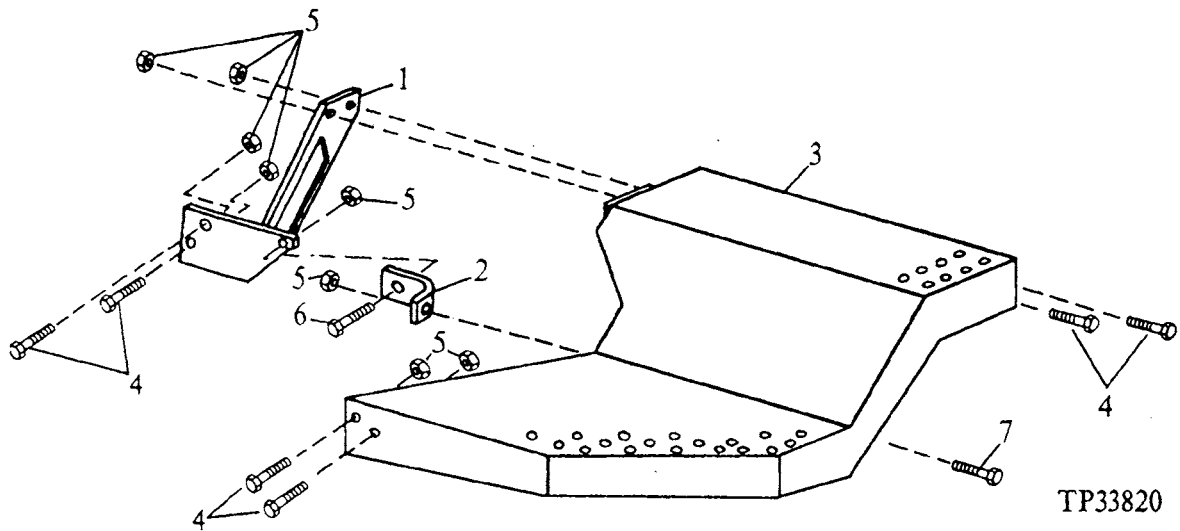
KEY	PART NO.	PART NAME	QTY	SERIAL NO.	REMARKS
1	AT149468	FENDER	1		RIGHT
	AT149469	FENDER	1		LEFT
2	19M7788	SCREW	3		M12 X 25



# 2J15

## LEFT REAR FENDER

TP33820



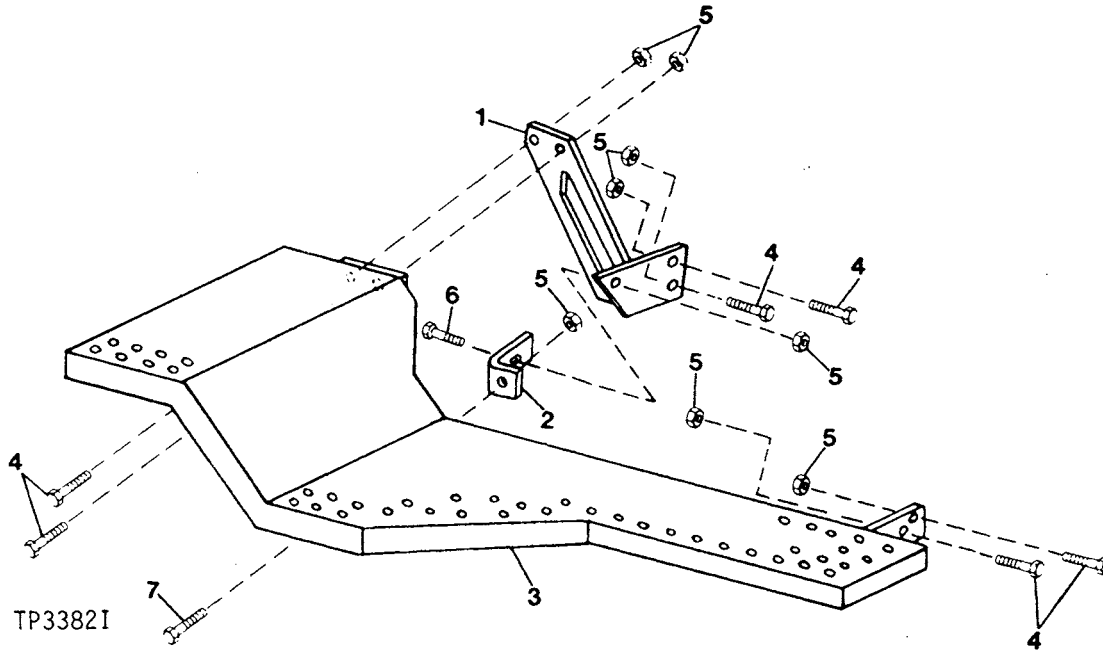
TP33820

KEY	PART NO.	PART NAME	QTY	SERIAL NO.	REMARKS
1	AT103786	BRACKET	1		
2	T102933	ANGLE	1		
3	AT149470	FENDER	1		
4	19M7493	CAP SCREW	6		M12 X 40
5	14M7275	NUT	8		M12
6	19M7813	SCREW	1		M12 X 45
7	19M7789	SCREW	1		M12 X 30

# 2J16

## RIGHT REAR FENDER

TP33821



KEY	PART NO.	PART NAME	QTY	SERIAL NO.	REMARKS
1	AT103785	BRACKET	1		
2	T102933	ANGLE	1		
3	AT149471	FENDER	1		
4	19M7791	SCREW	6		M12 X 40
5	14M7299	FLANGE NUT	8		M12
6	19M7813	SCREW	1		M12 X 45
7	19M7789	SCREW	1		M12 X 30

**MEMORANDA**

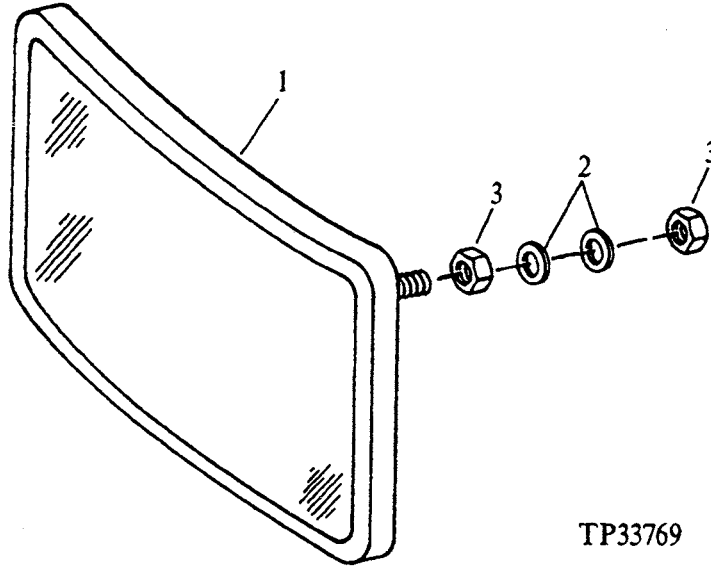
# 2J18

SAFETY, CONVENIENCE AND MISCELLANEOUS 20

## INSIDE REAR VIEW MIRROR

MIRROR 2002

TP33769



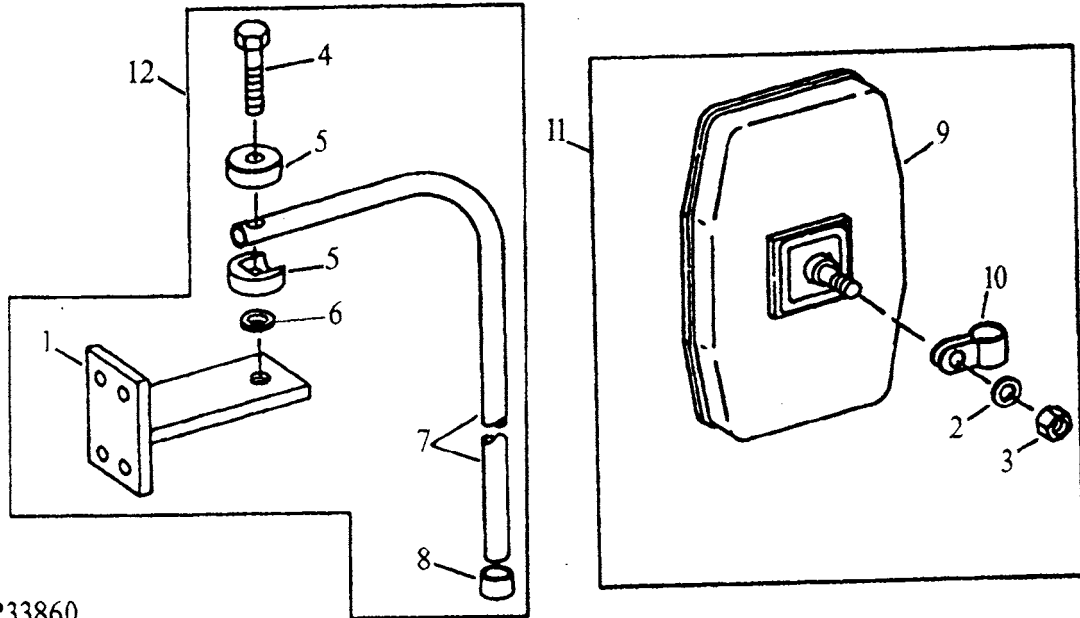
TP33769

KEY	PART NO.	PART NAME	QTY	SERIAL NO.	REMARKS
1	RE20254	REAR VIEW MIRROR	2		
2	24M7238	WASHER	2		8.700 X 17 X 2 MM
3	14H785	NUT	2		5/16"

# 2J19

## OUTSIDE MIRROR FOR CAB OR CANOPY

TP33860



TP33860

KEY	PART NO.	PART NAME	QTY	SERIAL NO.	REMARKS
1	AT135643	BRACKET	1		
2	24M7237	WASHER	1		25.400 X 50 X 6 MM
3	T11234	LOCK NUT	1		
4	T125724	CAP SCREW	1		
5	T115030	CLAMP	2		
6	T60920	WASHER	1		
7	T115031	TUBE	1		
8	T128437	CAP	1		
9	.....	REAR VIEW MIRROR	1		
10	T119564	CLAMP	1		
11	AT103919	REAR VIEW MIRROR	1		
12	AT149608	RIB	1		

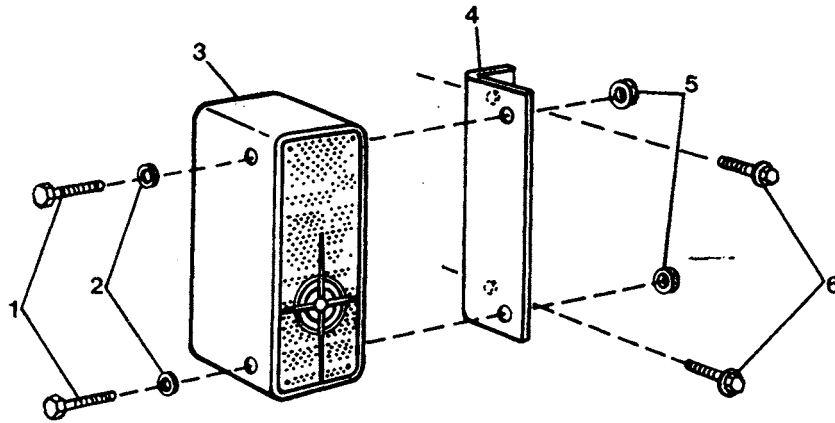
# 2J20

SAFETY, CONVENIENCE AND MISCELLANEOUS 20

## BACK-UP ALARM

HORN AND WARNING DEVICES 2004

TP33648



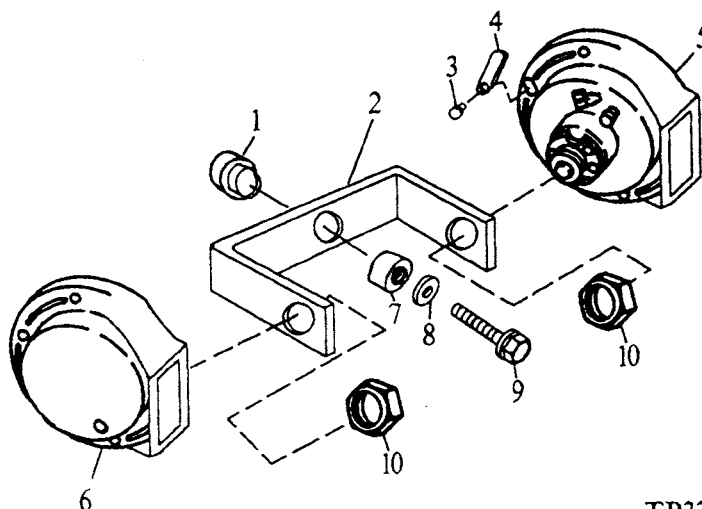
TP33648

KEY	PART NO.	PART NAME	QTY	SERIAL NO.	REMARKS
1	19M7296	CAP SCREW	2		M8 X 100
2	24M7238	WASHER	2		8.700 X 17 X 2 MM
3	AT78534	BACK-UP ALARM	1		
4	T108337	ANGLE	1		
5	14M7298	FLANGE NUT	2		M8
6	19M7785	SCREW	2		M10 X 25

# 2J21

## HORN

TP33823



TP33823

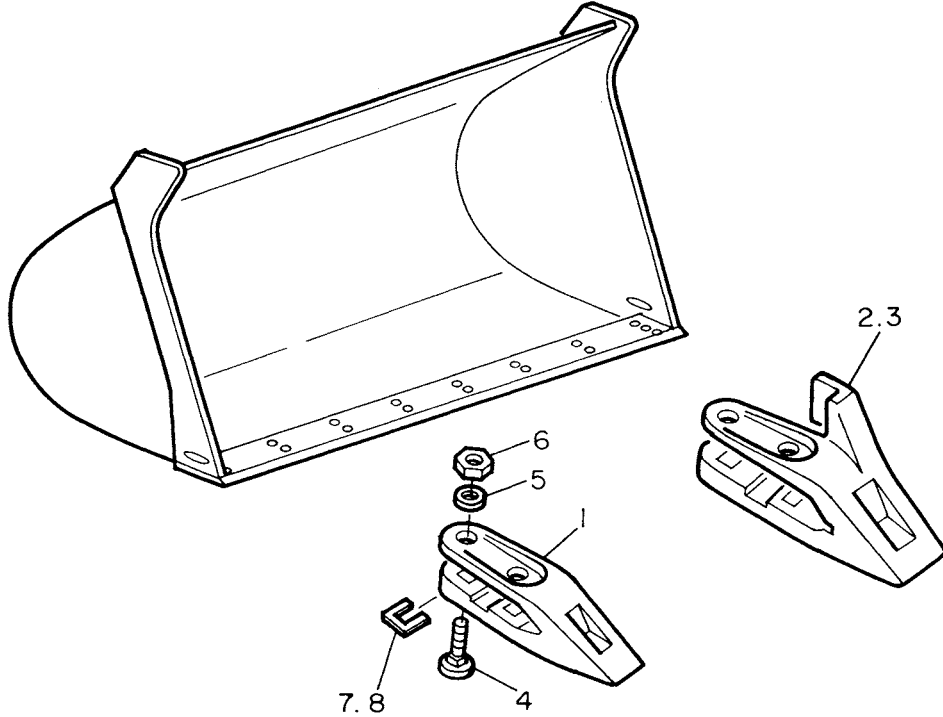
KEY	PART NO.	PART NAME	QTY	SERIAL NO.	REMARKS
1	M113093	SPACER	1		
2	19M7865	SCREW	1		M8 X 16
3	H85233	RIVET	2		
4	57M7116	TAB	2		
5	AT39043	HORN	1		"F" NOTE
6	R64700	HORN	1		"A" NOTE
7	N117902	WASHER	1		
8	24M7298	WASHER	1		8.400 X 25 X 2 MM
9	19M7868	SCREW	1		M8 X 30
10	R11278	NUT	2		

**MEMORANDA**



# 3B03

## TOOTH



KEY	PART NO.	PART NAME	QTY	SERIAL NO.	REMARKS
1	4288538	TOOTH	6		CENTER
2	4288540	TOOTH	1		LEFT
3	4288539	TOOTH	1		RIGHT
4	4296633	BOLT	16		
5	4085857	WASHER	16		
6	4242406	NUT	16		
7	4297208	SHIM	AR		0.5
8	4297207	SHIM	AR		1.0

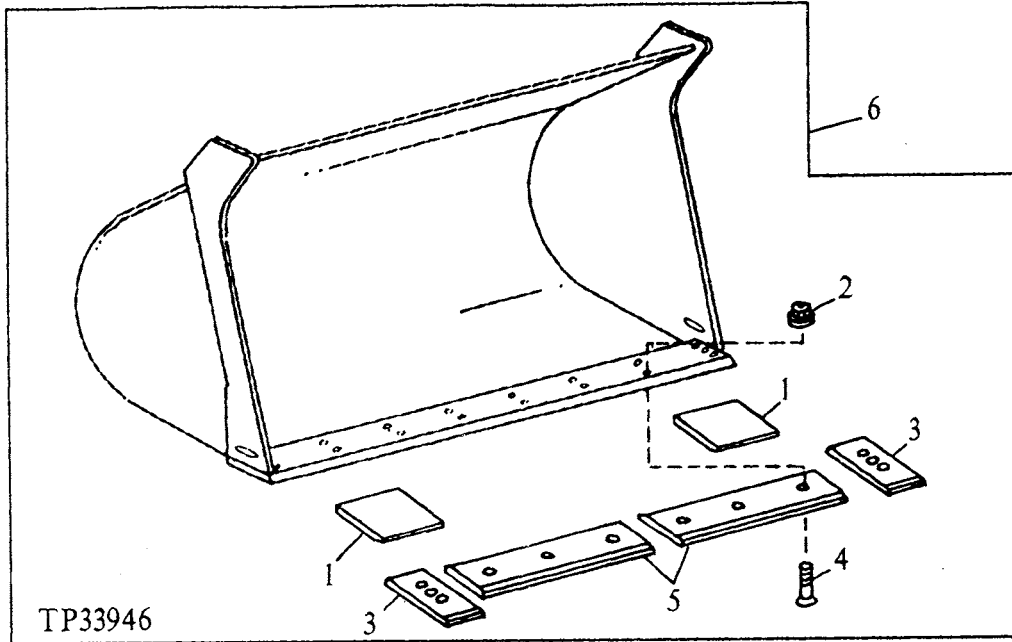
# 3B04

LOADER 31

HYDRAULIC SYSTEM 3102

## AUXILIARY CUTTING EDGE AND WEAR PLATES

TP33946



TP33946

KEY	PART NO.	PART NAME	QTY	SERIAL NO.	REMARKS
1	T101634	WEAR PLATE	2		
2	T146932	NUT	12		
3	T130078	"DURA-MAX" CUTTING EDGE	2		
4	T146933	BOLT	12		
5	T130079	"DURA-MAX" CUTTING EDGE	2		
6	<b>AT149541</b>	<b>CUTTING EDGE</b>	1		

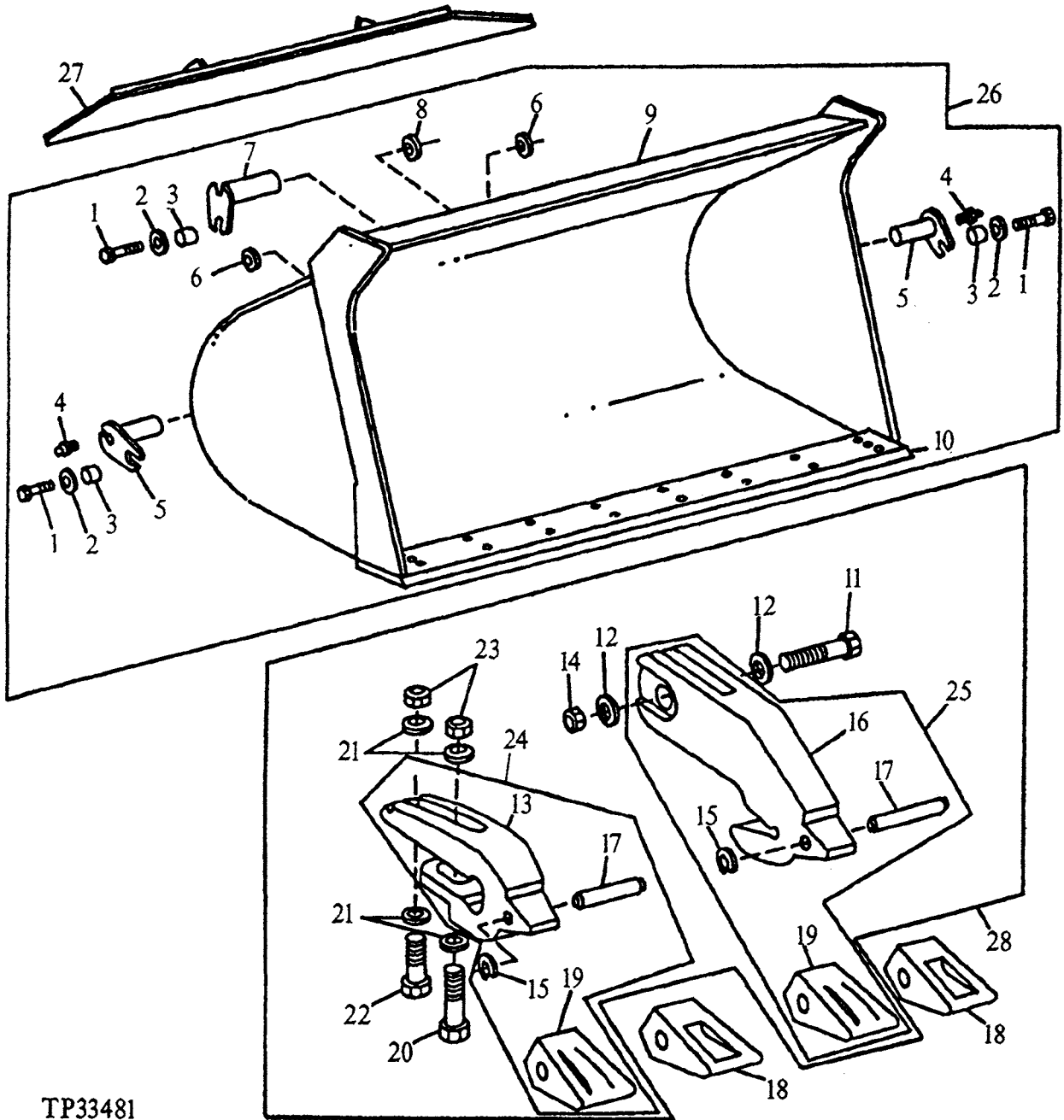
# 3B05

LOADER 31

HYDRAULIC SYSTEM 3102

## LOADER BUCKETS

TP33481



TP33481

# 3B06

LOADER 31

HYDRAULIC SYSTEM 3102

## LOADER BUCKETS

KEY	PART NO.	PART NAME	QTY	SERIAL NO.	REMARKS
1	19M7489	CAP SCREW	3		M16 X 45
2	T146246	WASHER	3		0.657" X 2.248" X 0.256"
3	28H2499	BUSHING	3		
4	JD7798	LUBRICATION FITTING	2		
5	AT115977	PIN	2		
6	T102171	WASHER	AR		2.618" X 4.252" X 0.118"
7	AT102752	PIN	1		
8	H96226	WASHER	AR		3.160" X 4.470" X 0.118"
9	.....	LOADER BUCKET	1		
10	T123976	"DURA-MAX" CUTTING EDGE	1		
11	19M8288	CAP SCREW	2		M24 X 90
12	24M7243	WASHER	4		25.400 X 50 X 6 MM
13	T103190	SHANK	6		
14	14M7278	NUT	2		M24
15	T112196	RETAINING WASHER	8		
16	.....	SHANK	2		CORNER TOOTH
17	T112195	PIN	8		
18	T105690	TOOTH	8		(CHISEL POINT)
19	T103189	TOOTH	8		(GENERAL PURPOSE)
20	19M8288	CAP SCREW	6		M24 X 90
21	24M7243	WASHER	24		25.400 X 50 X 6 MM
22	19M8287	CAP SCREW	6		M24 X 80
23	14M7278	NUT	12		M24
24	AT115675	TOOTH	6		
25	AT156507	TOOTH	2		CORNER
26	<b>AT149861</b>	<b>LOADER BUCKET</b>	<b>1</b>		<b>2.5 M3 (3-1/4 CU. YARD)</b>
	<b>AT149863</b>	<b>LOADER BUCKET</b>	<b>1</b>		<b>2.9 M3 (3-3/4 CU. YARD)</b>
27	<b>AT115904</b>	<b>GUARD</b>	<b>1</b>		<b>SPILL</b>
28	AT116025	KIT	1		INCLUDES (2) T101634 WEAR PLATES

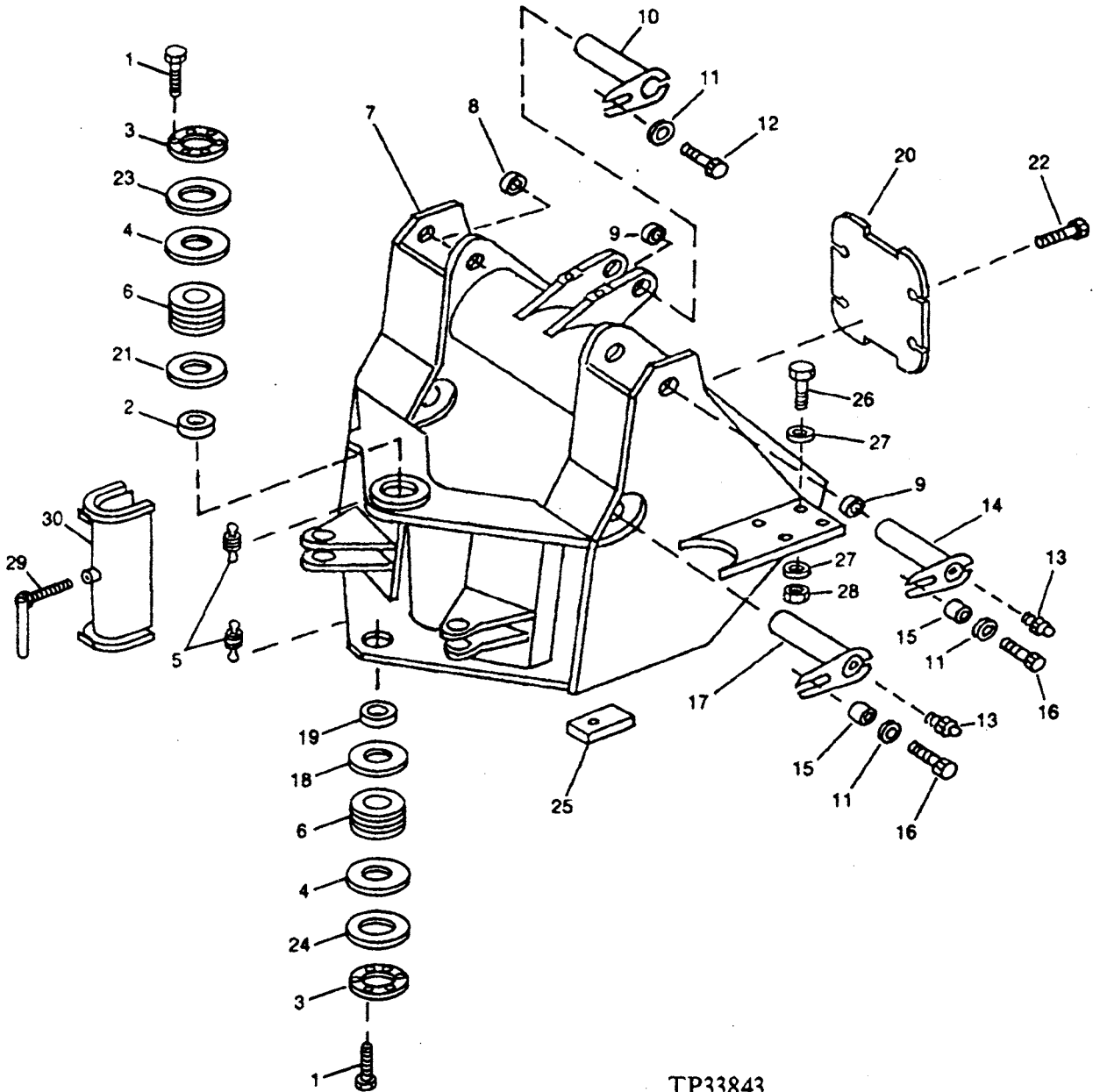
# 3B07

LOADER 31

FRAMES 3140

## LOADER FRAME

TP33843



TP33843

# 3B08

LOADER 31

FRAMES 3140

## LOADER FRAME

KEY	PART NO.	PART NAME	QTY	SERIAL NO.	REMARKS
1	19M7493	CAP SCREW	12		M12 X 40
2	T144442	SPACER	1		
3	T140382	COVER	1		(UPPER PIVOT)
	T130060	COVER	1		(LOWER PIVOT)
4	T140379	SHIM	AR		(UPPER PIVOT) 0.13 MM (.005")
	T140380	SHIM	AR		(UPPER PIVOT) 0.25 MM (.010")
	T140381	SHIM	AR		(UPPER PIVOT) 0.51 MM (.020")
	T130057	SHIM	AR		(LOWER PIVOT) .51 MM (.020")
	T130058	SHIM	AR		(LOWER PIVOT) .25 MM (.010")
	T130059	SHIM	AR		(LOWER PIVOT) .13 MM (.005")
5	JD7763	LUBRICATION FITTING	2		
6	AT150612	BUSHING	1		(UPPER PIVOT)
	AT129503	ROLLER BEARING	1		(LOWER PIVOT)
7	AT149480	FRAME	1		CONVENIENCE ASSEMBLY
8	24H1240	WASHER	AR		3-1/32" X 4-1/2" X 0.105"
9	T101480	WASHER	AR		
10	AT102751	PIN	1		(BUCKET CYLINDER TO LOADER FRAME)
11	T146246	WASHER	5		
12	19M8029	CAP SCREW	1		M16 X 30
13	JD7847	LUBRICATION FITTING	2		(BOOM TO LOADER FRAME)
	JD7798	LUBRICATION FITTING	2		(BOOM CYLINDER TO LOADER FRAME)
14	AT103077	PIN	2		(BOOM TO LOADER FRAME)
15	28H2499	BUSHING	4		
16	19M7489	CAP SCREW	4		M16 X 45
17	AT103049	PIN	2		(BOOM CYLINDER TO LOADER FRAME)
18	T145895	SEAL	1		
19	T144427	SPACER	1		
20	T142510	COVER	1		
21	AH75114	SEAL	1		
22	19M7785	SCREW	4		M10 X 25
23	T60752	SEAL	1		(FRONT AXLE TO FRAME)
24	T145697	SEAL	1		
25	T101635	STRAP	6		
26	19M8000	CAP SCREW	12		M20 X 240
27	24M7242	WASHER	24		21.400 X 42 X 5 MM
28	14M7315	NUT	12		M20
29	AT160033	HANDLE	1		
30	AT156669	LOCKING COLLAR	1		

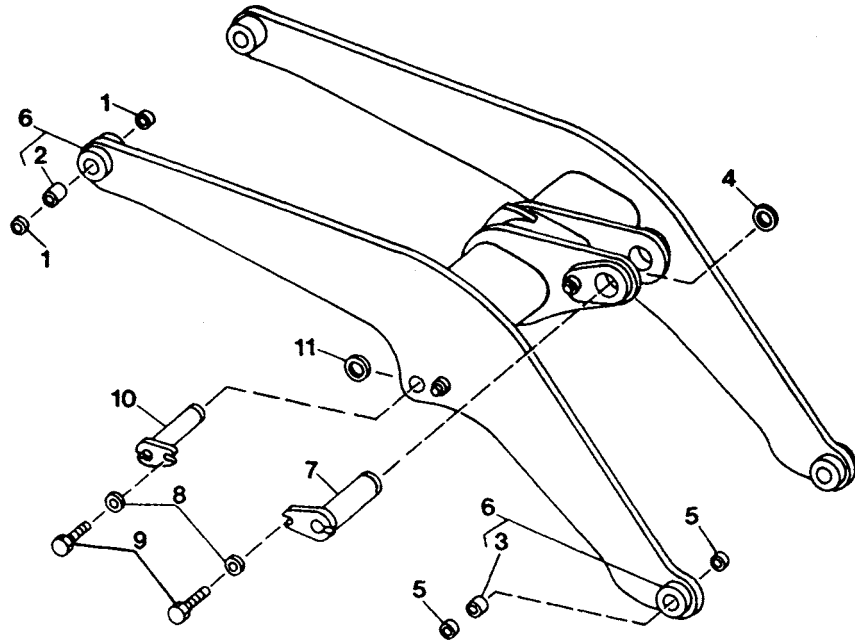
# 3B09

LOADER 31

FRAMES 3140

## LOADER BOOM AND PINS (644E)

TP33829



TP33829

KEY	PART NO.	PART NAME	QTY	SERIAL NO.	REMARKS
1	T102207	SEAL	4		
2	T101756	BUSHING	2		
3	T125535	BUSHING	2		
4	T102172	WASHER	AR		4.390" X 7.874" X 0.118"
5	T102136	SEAL	4		
6	AT149823	LOADER BOOM	1		
7	AT102828	PIN	1		BELLCRANK TO BOOM
8	T146246	WASHER	3		0.657" X 2.248" X 0.256"
9	19M8029	CAP SCREW	3		M16 X 30
10	AT102827	PIN	1		BOOM CYLINDER ROD END TO BOOM PIN
11	24H1240	WASHER	AR		3-1/32" X 4-1/2" X 0.105"

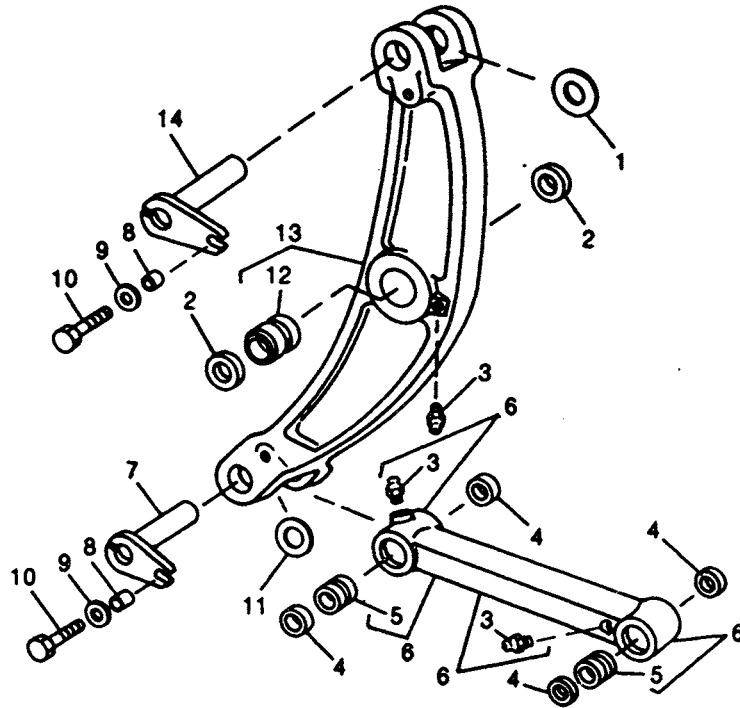
# 3B10

LOADER 31

FRAMES 3140

## LOADER LINKAGE

TP30918



TP30918

KEY	PART NO.	PART NAME	QTY	SERIAL NO.	REMARKS
1	T101480	WASHER	AR		
2	T102140	SEAL	2		
3	JD7798	LUBRICATION FITTING	3		
4	T102137	SEAL	4		
5	T101718	BUSHING	2		
6	AT149437	LINK	1		
7	AT102752	PIN	1		BUCKET LINK TO BELLCRANK
8	28H2499	BUSHING	2		0.742" X 1.050" X 5/8"
9	T146246	WASHER	2		
10	19M7489	CAP SCREW	2		M16 X 45
11	H96226	WASHER	AR		
12	T108238	BUSHING	1		
13	AT103585	BELLCRANK	1		
14	AT102751	PIN	1		BUCKET CYLINDER TO BELLCRANK



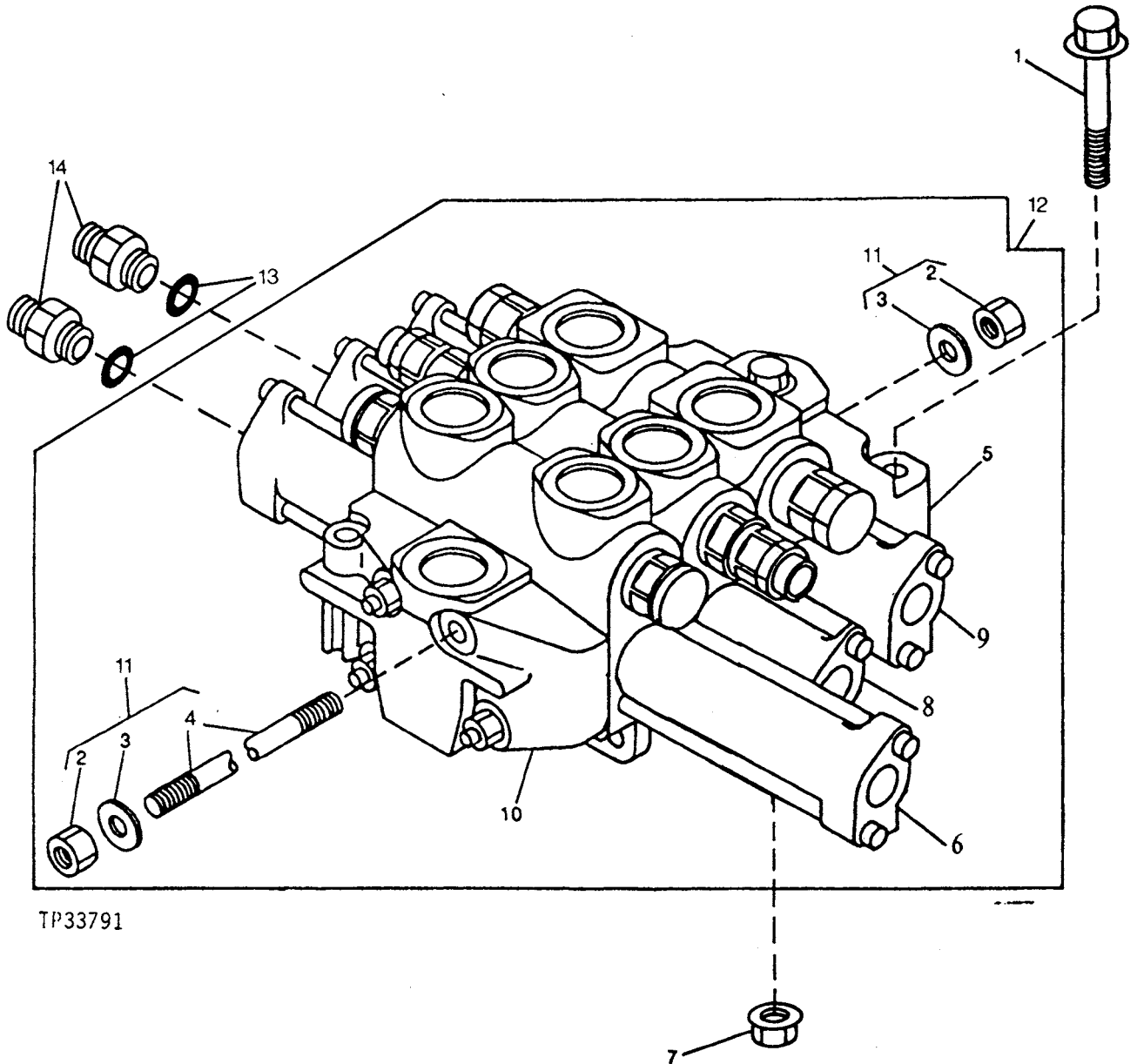
# 3B11

LOADER 31

HYDRAULIC SYSTEM 3160

## LOADER CONTROL VALVE (TWO OR THREE-SPOOL)

TP33791



TP33791

# 3B12

LOADER 31

HYDRAULIC SYSTEM 3160

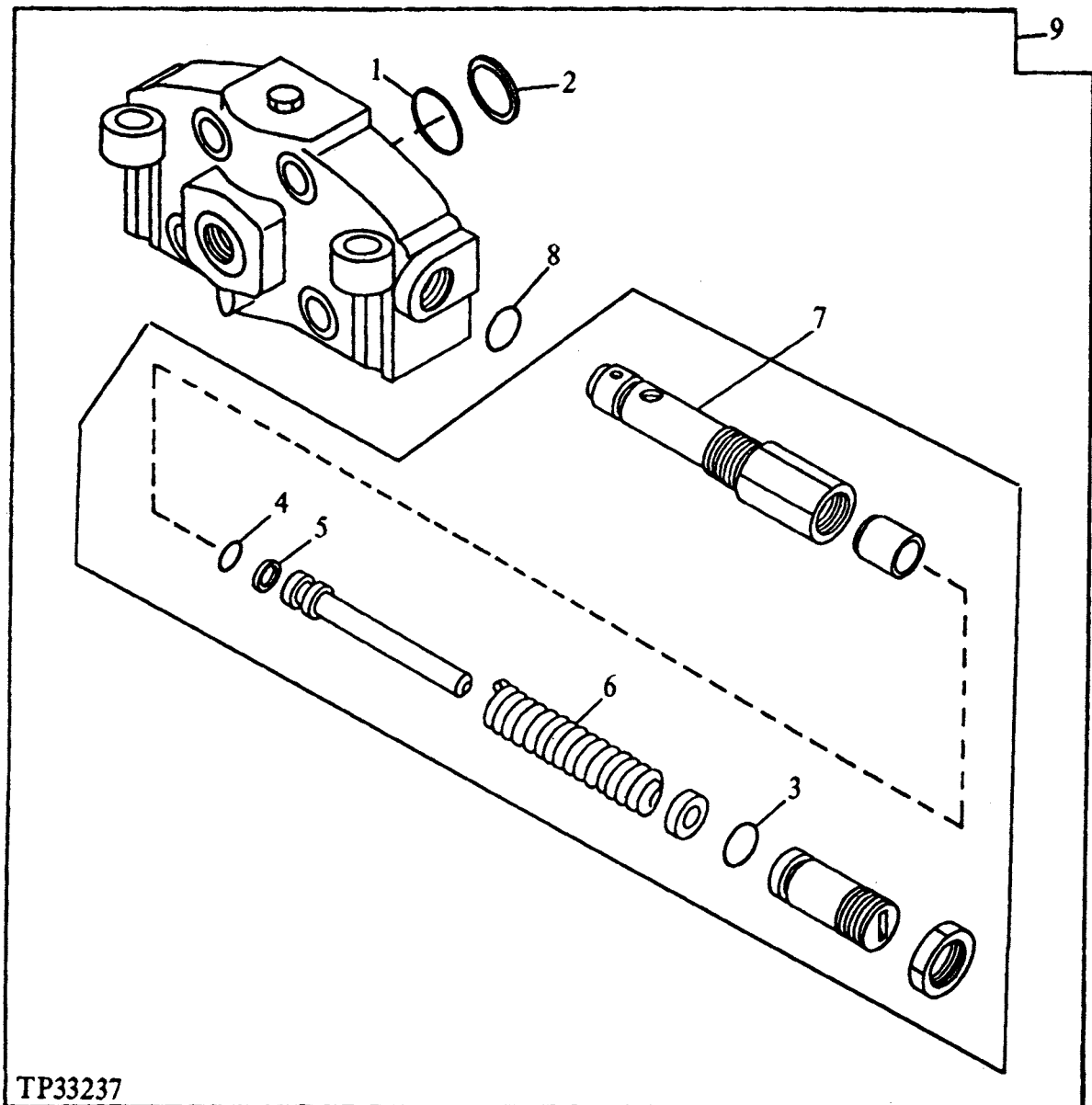
## LOADER CONTROL VALVE (TWO OR THREE-SPOOL)

KEY	PART NO.	PART NAME	QTY	SERIAL NO.	REMARKS
1	19M7821	SCREW	3		M12 X 120, PORT INLET SECTION
2	14H1040	NUT	2		1/2"
3	24H1111	WASHER	2		17/32" X 1-1/16" X 0.090"
4	.....	STUD	1		1/2" X 9-1/2", (SUB AT103443) (TWO-SPOOL VALVE)
	.....	STUD	1		1/2" X 11-1/2", (SUB AT103456) (THREE-SPOOL VALVE)
5	AT159971	VALVE	1		PORT INLET SECTION
6	AT159407	VALVE	1		BOOM SECTION
7	14M7401	LOCK NUT	3		M12
8	AT159970	VALVE	1		BUCKET SECTION
9	AT159965		1		AUXILIARY SECTION (THREE-SPOOL ONLY)
10	T102437	HOUSING	1		PORT OUTLET SECTION
11	AT103443	STUD	4		(SUB-ASSEMBLY) (TWO-SPOOL VALVE)
	AT103456	STUD	4		(SUB-ASSEMBLY) (THREE-SPOOL VALVE)
12	AT149544	VALVE	1		(TWO-SPOOL)
	AT149545	VALVE	1		(TWO-SPOOL)
13	R26448	O-RING	4		
14	AT160574	VALVE	4		

# 3B13

## INLET SECTION VALVE WITH RELIEF VALVE

TP33237



TP33237

# 3B14

LOADER 31

HYDRAULIC SYSTEM 3160

## INLET SECTION VALVE WITH RELIEF VALVE

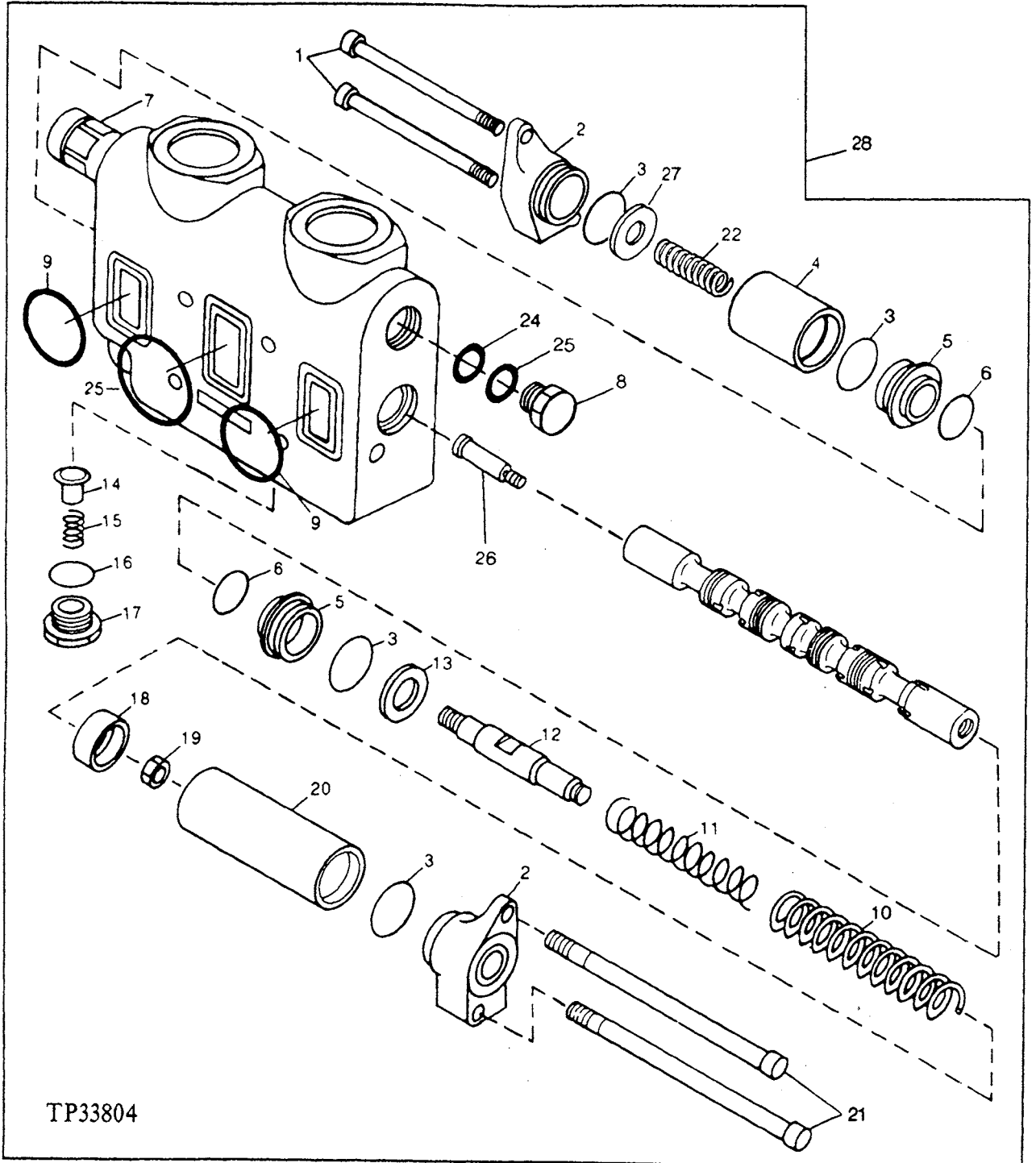
KEY	PART NO.	PART NAME	QTY	SERIAL NO.	REMARKS
1	T103464	RING	3		(SQUARE SECTION)
2	U45843	WASHER	1		(SQUARE SECTION)
3	U11647	O-RING	2		(K)
4	F3353R	O-RING	1		(K)
5	.....	BACK-UP RING	1		(K) (SUB AT103435)
6	.....	SPRING	1		(K) (SUB AT103435)
7	AT160148	RELIEF VALVE	1		
8	T107290	WASHER	1		
9	AT159971	VALVE	1		INLET SECTION

(K) KIT AT103435

# 3B15

## BOOM SECTION VALVE

TP33804



TP33804

# 3B16

LOADER 31

HYDRAULIC SYSTEM 3160

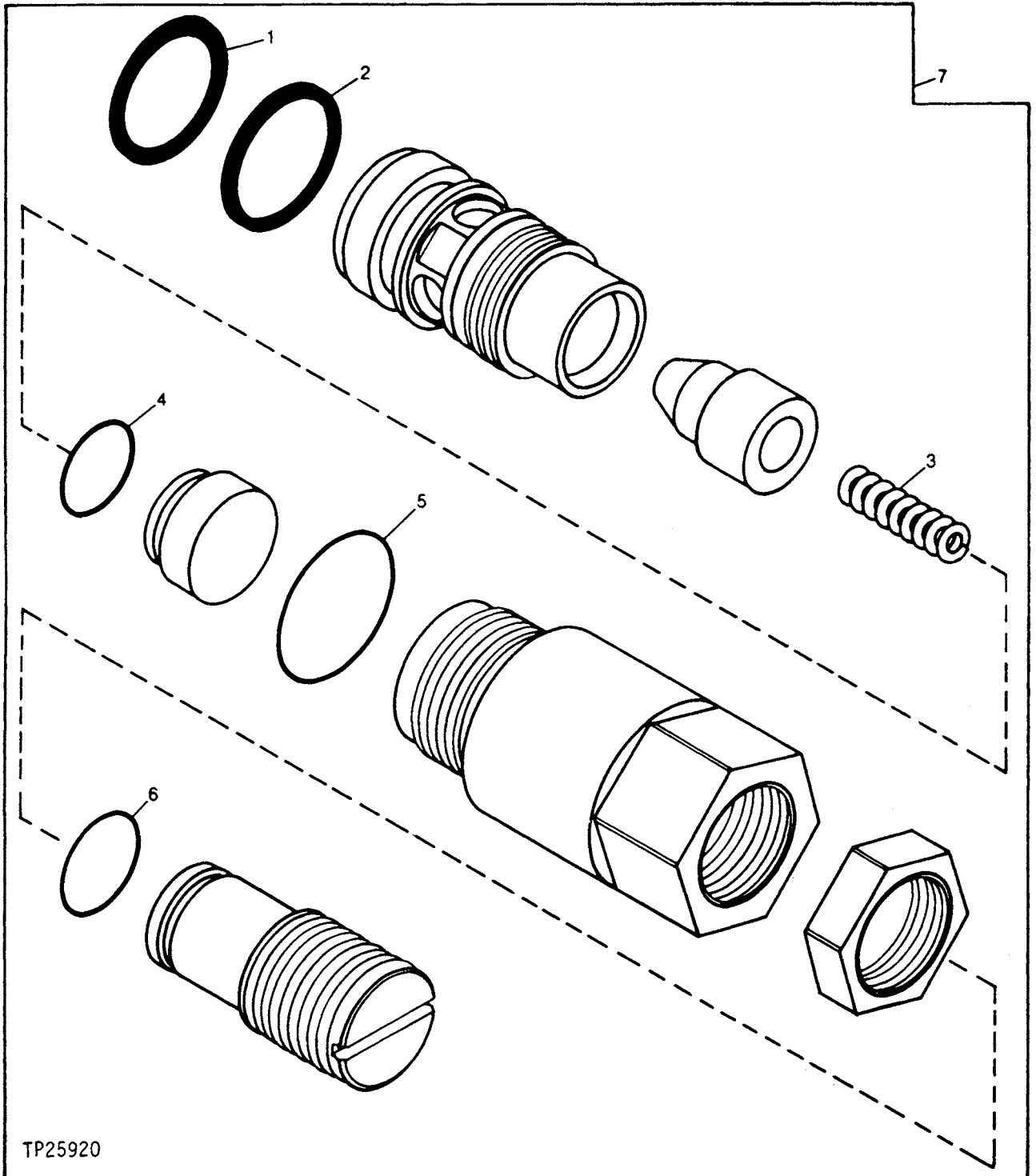
## BOOM SECTION VALVE

KEY	PART NO.	PART NAME	QTY	SERIAL NO.	REMARKS
1	19H3644	CAP SCREW	2		5/16" X 4-1/2"
2	T102430	CAP	2		
3	H84318	O-RING	4		
4	T102436	SLEEVE	1		
5	T102428	RETAINER	2		
6	M4125T	O-RING	2		
7	AT104051	VALVE	1		ANTI-CAVITY
8	AT159408	MOUNTING PARTS	1		
9	T103464	RING	3		(SQUARE SECTION)
10	T138057	COMPRESSION SPRING	1		
11	T138058	COMPRESSION SPRING	1		
12	T145400	STUD	1		
13	T103088	WASHER	1		
14	T103364	POPPET	1		
15	T103365	SPRING	1		
16	U12547	O-RING	1		
17	T103366	PLUG	1		
18	T102431	GUIDE	1		
19	14H849	NUT	1		7/16"
20	T102429	SLEEVE	1		
21	19H3645	CAP SCREW	2		5/16" X 6-1/4", SOCKET, HD.
22	T126783	SPRING	1		
23	U45843	WASHER	1		(SQUARE SECTION)
24	U12547	O-RING	1		
25	T144698	O-RING	1		
26	T126785	BOLT	1		
27	T145401	GUIDE	1		
28	AT159407	VALVE	1		BOOM SECTION

# 3B17

## ANTI-CAVITY VALVE BOOM SECTION

TP25920



# 3B18

LOADER 31

HYDRAULIC SYSTEM 3160

## ANTI-CAVITY VALVE BOOM SECTION

KEY	PART NO.	PART NAME	QTY	SERIAL NO.	REMARKS
1	T13119	O-RING	1		(K)
2	H35230	BACK-UP RING	1		(K)
3	.....	SPRING	1		(SUB AT103440)
4	R28776	O-RING	1		(K)
5	U12547	O-RING	1		(K)
6	R33259	O-RING	1		(K)
7	AT104051	VALVE	1		ANTI-CAVITY

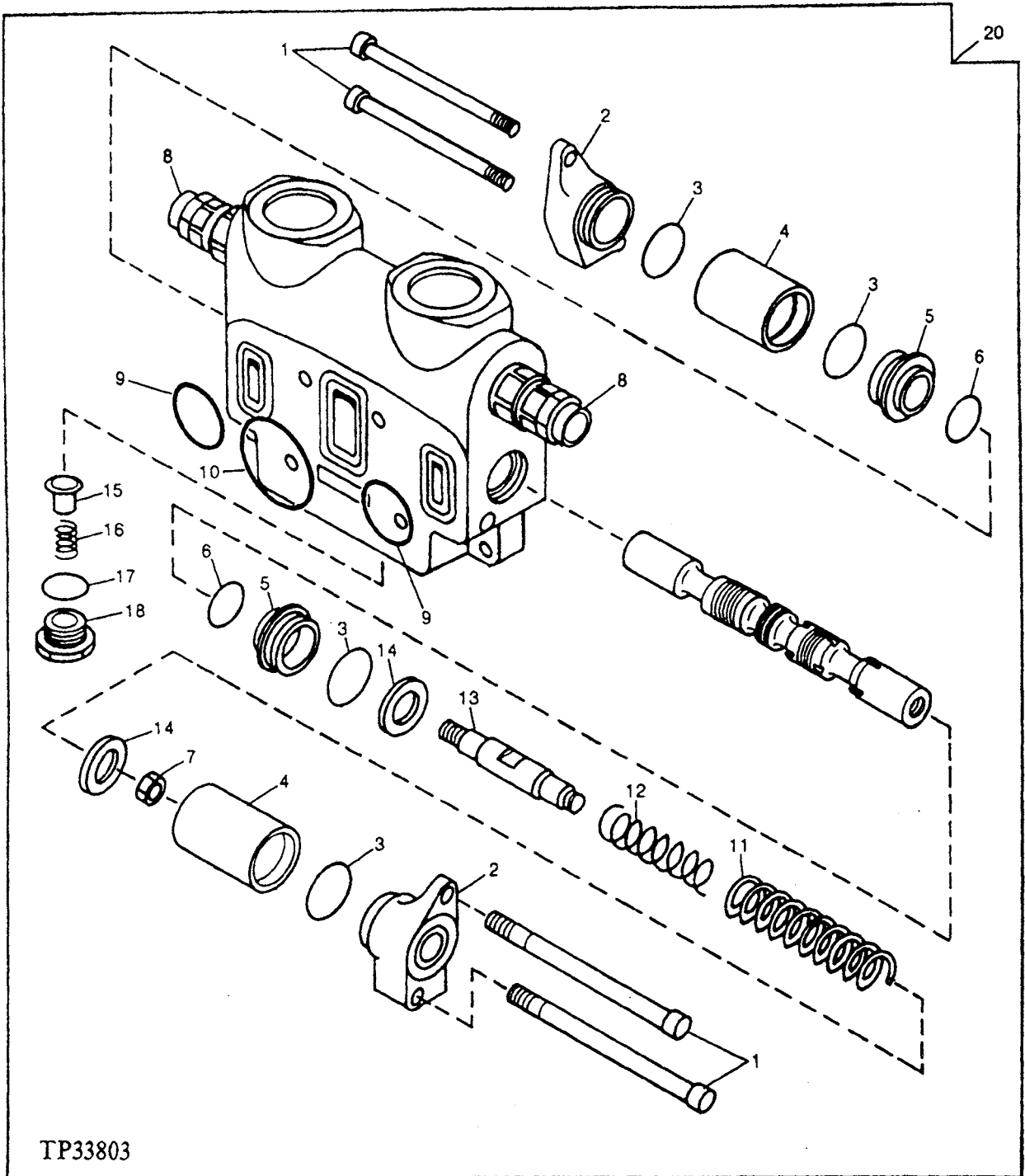
(K) KIT AT103440



# 3B19

## BUCKET SECTION VALVE

TP33803



TP33803

# 3B20

LOADER 31

HYDRAULIC SYSTEM 3160

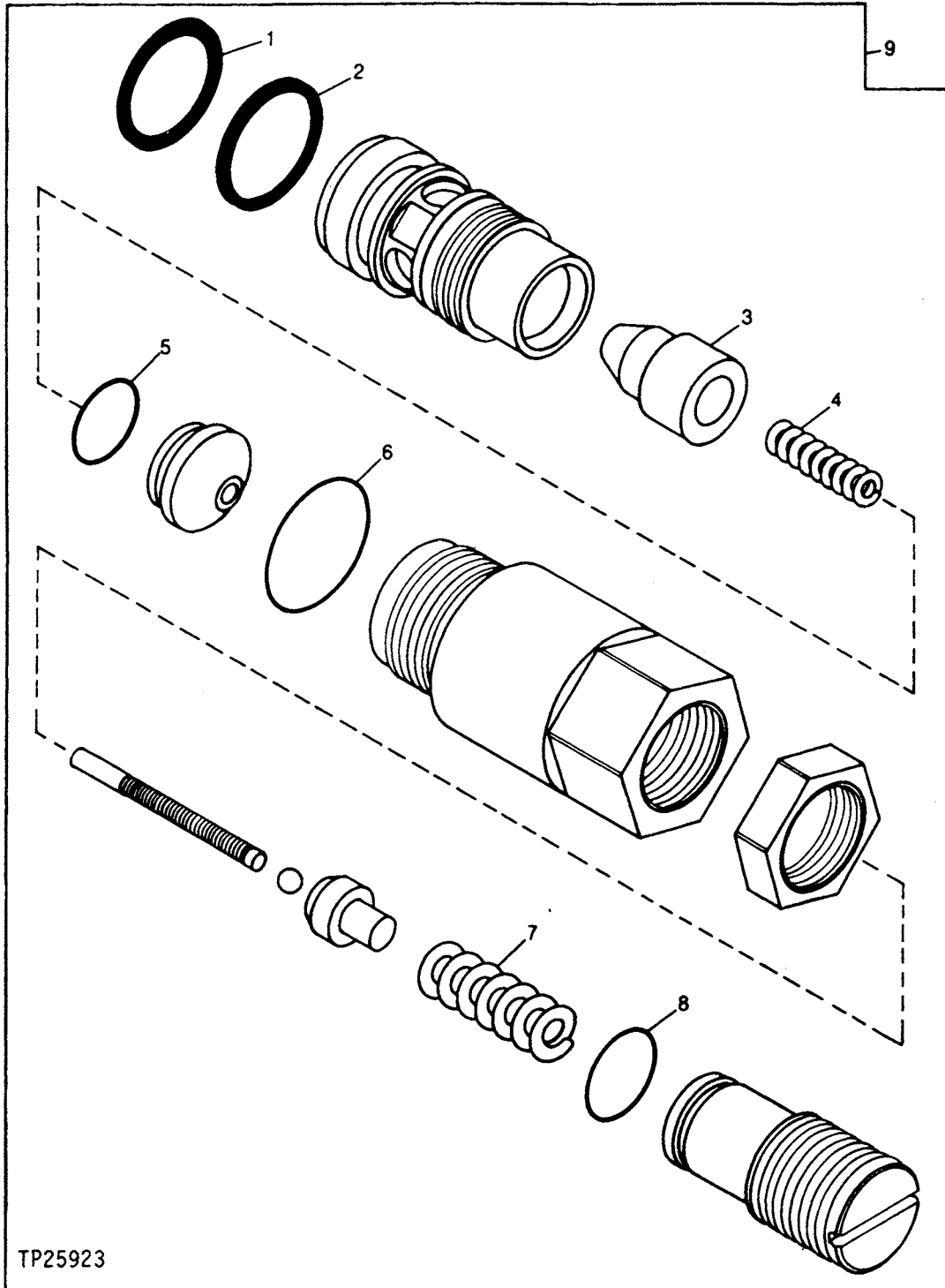
## BUCKET SECTION VALVE

KEY	PART NO.	PART NAME	QTY	SERIAL NO.	REMARKS
1	19H3644	CAP SCREW	4		5/16" X 4-1/2"
2	T102430	CAP	2		
3	H84318	O-RING	4		
4	T102436	SLEEVE	2		
5	T102428	RETAINER	2		
6	M4125T	O-RING	2		
7	T128353	SPACER	1		
8	AT159967	VALVE	2		
9	T103464	RING	3		SQUARE SECTION
10	U45843	WASHER	1		SQUARE SECTION
11	T138055	COMPRESSION SPRING	1		
12	T145405	COMPRESSION SPRING	1		
13	T128355	BOLT	1		
14	T103088	WASHER	2		
15	T103364	POPPET	1		
16	T103365	SPRING	1		
17	U12547	O-RING	1		
18	T103366	PLUG	1		
19	AT159970	VALVE	1		BUCKET SECTION

# 3B21

## UNIVERSAL RELIEF VALVE BUCKET AND AUXILIARY SECTION

TP25923



# 3B22

LOADER 31

HYDRAULIC SYSTEM 3160

## UNIVERSAL RELIEF VALVE BUCKET SECTION

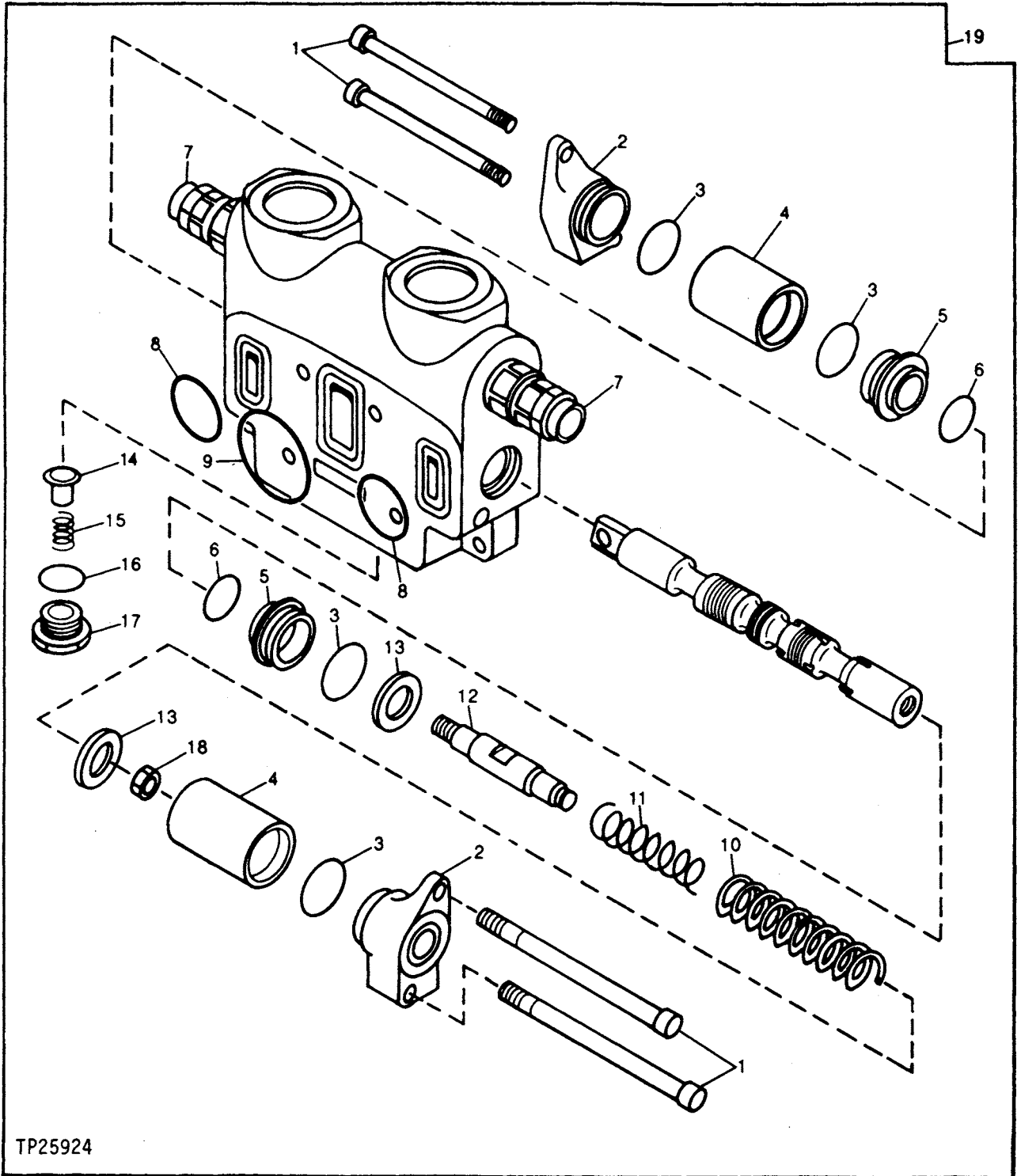
KEY	PART NO.	PART NAME	QTY	SERIAL NO.	REMARKS
1	T13119	O-RING	1		(K)
2	H35230	BACK-UP RING	1		(K)
3	.....	POPPET	1		(SUB AT104088)
4	.....	SPRING	1		(SUB AT104088)
5	R28776	O-RING	1		(K)
6	U12547	O-RING	1		(K)
7	.....	SPRING	1		(SUB AT104088)
8	R33259	O-RING	1		(K)
9	AT159967	VALVE	1		

(K) KIT AT104088

# 3B23

## AUXILIARY SECTION VALVE

TP25924



TP25924

# 3B24

LOADER 31

HYDRAULIC SYSTEM 3160

## AUXILIARY SECTION VALVE

KEY	PART NO.	PART NAME	QTY	SERIAL NO.	REMARKS
1	19H3644	CAP SCREW	4		5/16" X 4-1/2"
2	T102430	CAP	2		
3	T103088	WASHER	2		
4	T102436	SLEEVE	2		
5	T102428	RETAINER	2		
6	M4125T	O-RING	2		
7	AT159967	VALVE	2		
8	T103464	RING	3		SQUARE SECTION
9	U45843	WASHER	1		SQUARE SECTION
10	T102434	COMPRESSION SPRING	1		
11	T102435	COMPRESSION SPRING	1		
12	T128355	BOLT	1		
13	H84318	O-RING	4		
14	T103364	POPPET	1		
15	T103365	SPRING	1		
16	U12547	O-RING	1		
17	T103366	PLUG	1		
18	T128353	SPACER	1		
19	AT159965		1		AUXILIARY SECTION

**MEMORANDA**

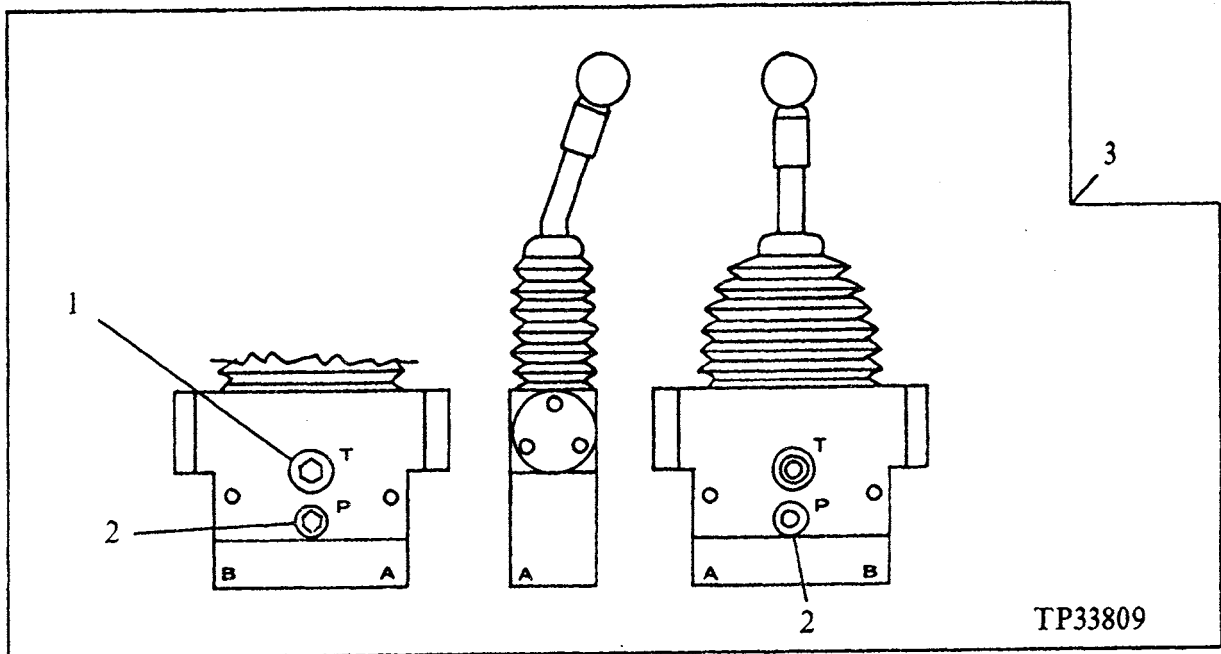
# 3B25

LOADER 31

HYDRAULIC SYSTEM 3160

## SINGLE AUXILIARY CONTROLLER

TP33809



TP33809

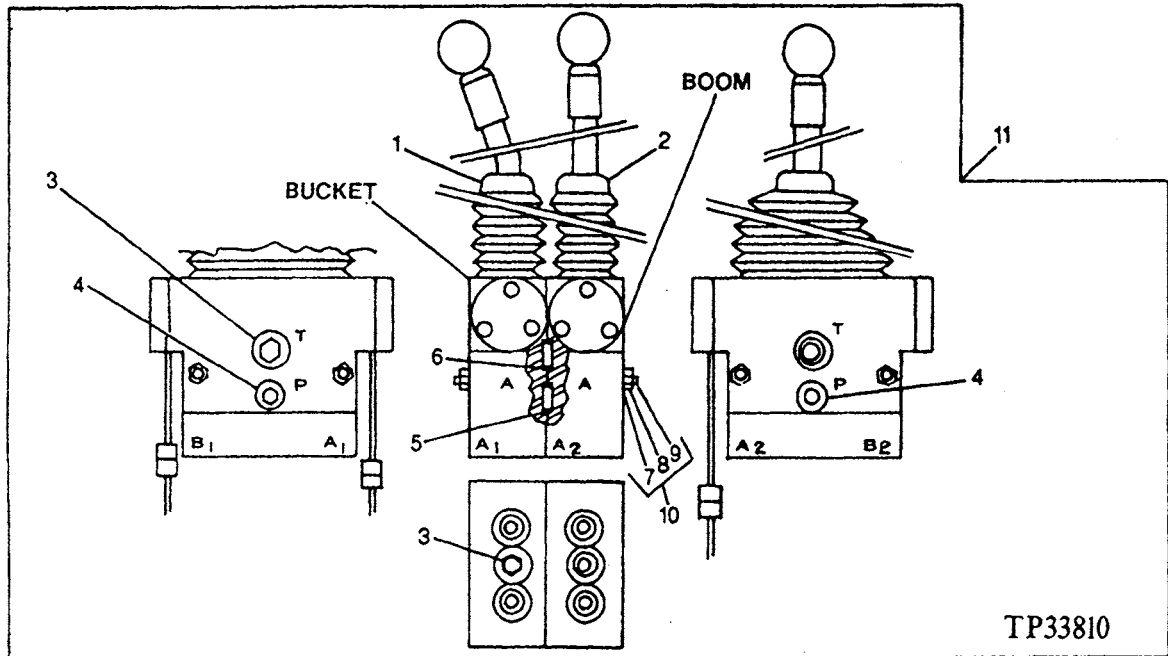
KEY	PART NO.	PART NAME	QTY	SERIAL NO.	REMARKS
1	R27218	FITTING PLUG	1		
	R26448	O-RING	1		
2	15H558	PIPE PLUG	1		1/8"
3	AT151033	CONTROL	2		
	TH100591	KNOB	2		



# 3C01

## TWO-LEVER REMOTE CONTROLLER

TP33810



KEY	PART NO.	PART NAME	QTY	SERIAL NO.	REMARKS
1	AT159952	CONTROL VALVE	1		BUCKET
2	AT159953	CONTROL VALVE	1		BOOM
3	R27218	FITTING PLUG	2		3/8" O.D. TUBE
	R26448	O-RING	2		
4	15H558	PIPE PLUG	2		1/8"
5	F3353R	O-RING	1		
6	T13119	O-RING	1		
7	.....	WASHER	4		(SUB AT104049)
8	.....	STUD	2		(SUB AT104049)
9	.....	NUT	4		(SUB AT104049)
10	AT104049	STUD	2		
11	AT149614	CONTROL	1		(TWO-LEVER REMOTE)

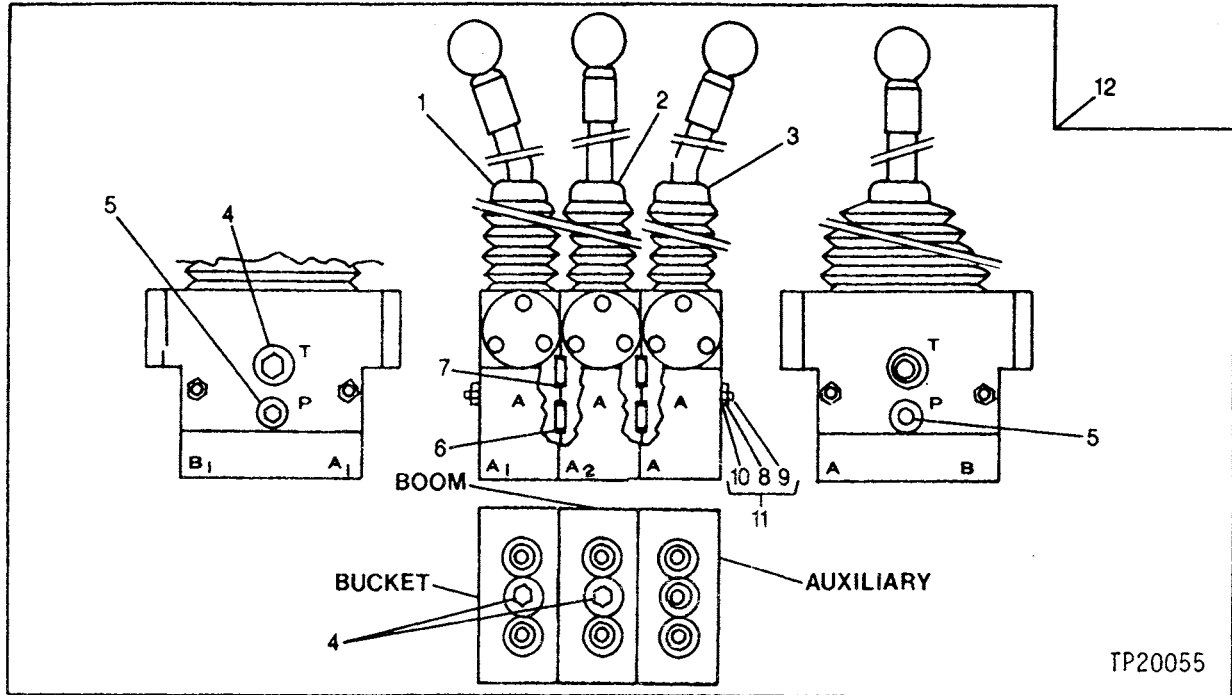
# 3C02

LOADER 31

HYDRAULIC SYSTEM 3160

## THREE-LEVER REMOTE CONTROLLER

TP20055

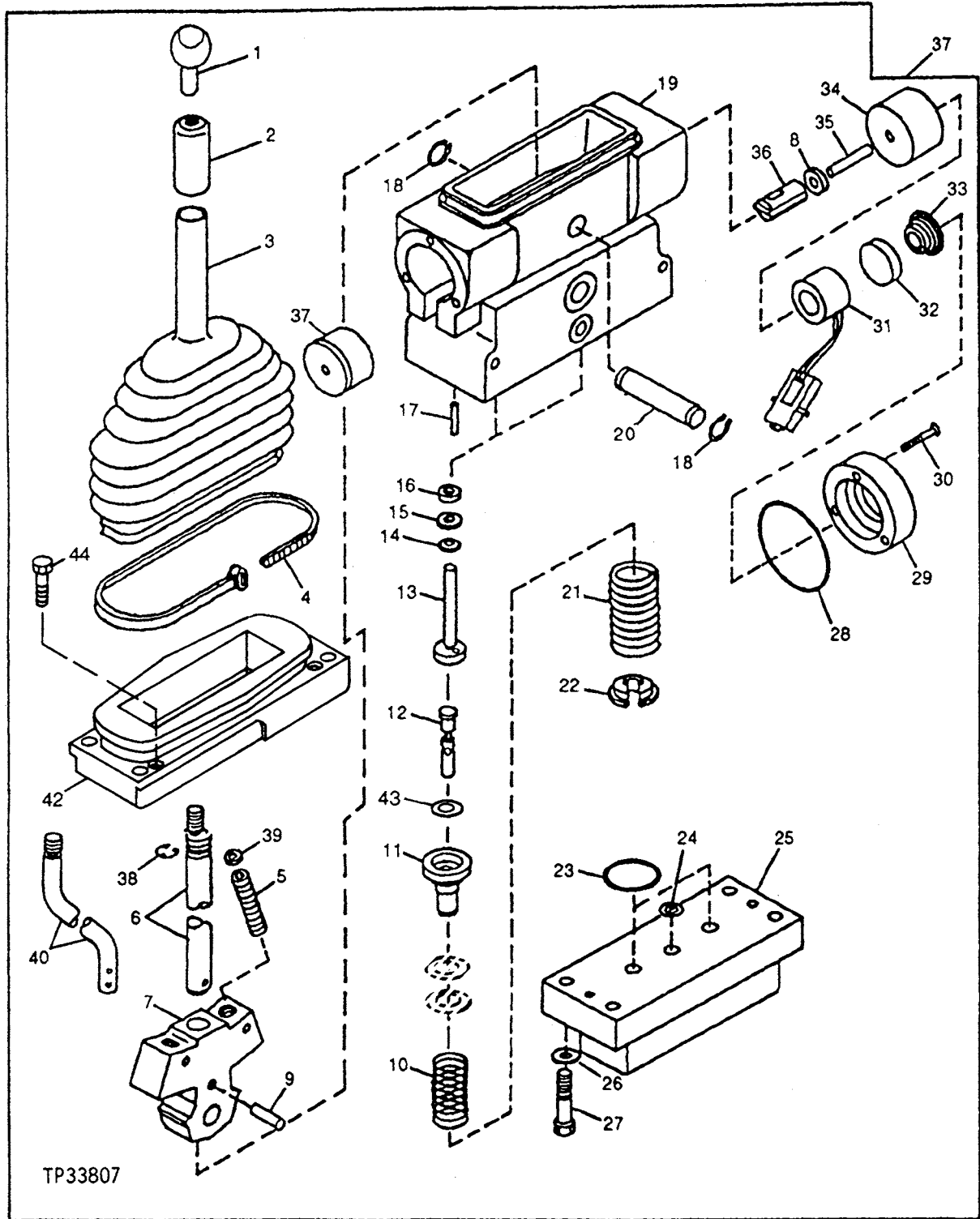


KEY	PART NO.	PART NAME	QTY	SERIAL NO.	REMARKS
1	AT159952	CONTROL VALVE	1		B7CKET (12-V)
2	AT159953	CONTROL VALVE	1		BOOM (12-V)
3	AT159954	VALVE	1		AUXILIARY
4	R27218	FITTING PLUG	3		
	R26448	O-RING	3		
5	15H558	PIPE PLUG	2		1/8"
6	F3353R	O-RING	2		
7	T13119	O-RING	2		
8	.....	WASHER	4		(SUB AT104050)
9	.....	STUD	2		(SUB AT104050)
10	.....	NUT	4		(SUB AT104050)
11	AT104050	STUD	2		
12	AT149615	CONTROL	1		(THREE-LEVER REMOTE)

# 3C03

## BUCKET, BOOM AND AUXILIARY SECTION (TWO OR THREE-LEVER REMOTE CONTROLLER)

TP33807



# 3C04

LOADER 31

HYDRAULIC SYSTEM 3160

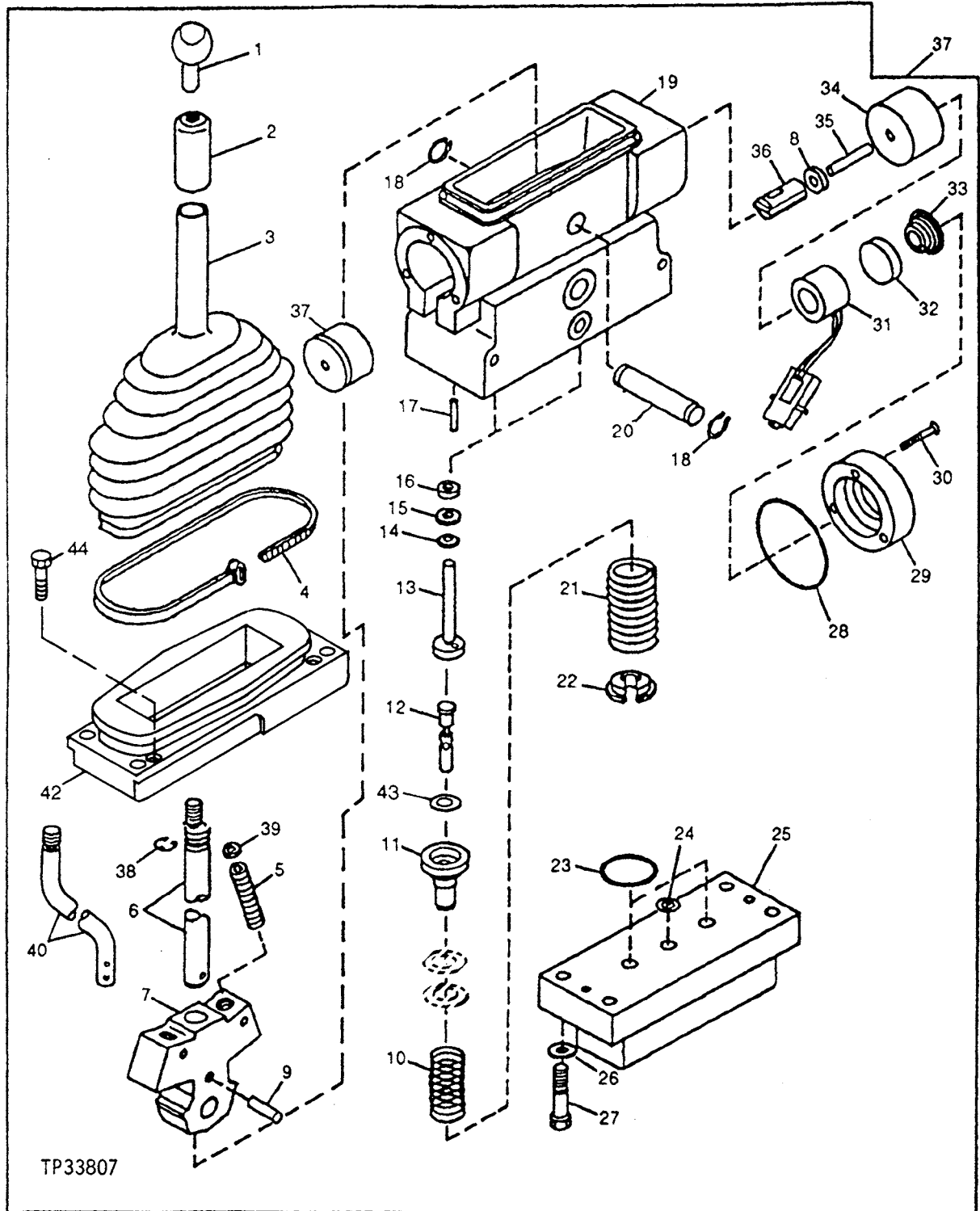
## BUCKET, BOOM AND AUXILIARY SECTION (TWO OR THREE-LEVER REMOTE CONTROLLER)

KEY	PART NO.	PART NAME	QTY	SERIAL NO.	REMARKS
1	TH100591	KNOB	1		BUCKET, BOOM AND AUXILIARY SECTION BOOM (WITH KICKDOWN SWITCH) (NOT ILLUSTRATED)
	AT147001	KNOB	1		
2	T145391	COVER	1		
3	T126189	BOOT	1		
4	H77698	TIE BAND	1		
5	T103100	SET SCREW	2		
6	T132295	LEVER	1		BUCKET (TWO-LEVER)
	T132295	LEVER	2		BUCKET AND AUXILIARY (THREE LEVER)
	T132294	LEVER	1		BOOM (TWO AND THREE LEVER)
7	T137987	LINK	1		
	T103098	LINK	1		(USE WITH T141501)
8	T137989	SHIM	1		BOOM PORT A AND BUCKET PORT A
9	25H50	GROOVE PIN	1		5/32" X 3/4"
10	T138047	SPRING	5		MAIN, AUXILIARY (SINGLE AND THREE LEVER) (A PORT OF BOOM SECTION) (A AND B PORT OF AUXILIARY SECTION) (A PORT OF BUCKET SECTION)
	T131603	SPRING	2		MAIN (AUXILIARY STAND ALONE) (A AND B PORT)
11	T102955	RETAINER	2		
12	.....	VALVE SPOOL	2		
13	T102958	PLUNGER	2		
14	T131617	RING	2		(K)
15	.....	SEAL	2		(K) ( T131619 NO LONGER AVAILABLE)
16	.....	SEAL	2		(K) ( T131616 NO LONGER AVAILABLE)
17	T102961	DOWEL PIN	2		
18	M43940	SNAP RING	2		

# 3C05

## BUCKET, BOOM AND AUXILIARY SECTION (TWO OR THREE-LEVER REMOTE CONTROLLER)

TP33807



# 3C06

LOADER 31

HYDRAULIC SYSTEM 3160

## BUCKET, BOOM AND AUXILIARY SECTION (TWO OR THREE-LEVER REMOTE CONTROLLER)

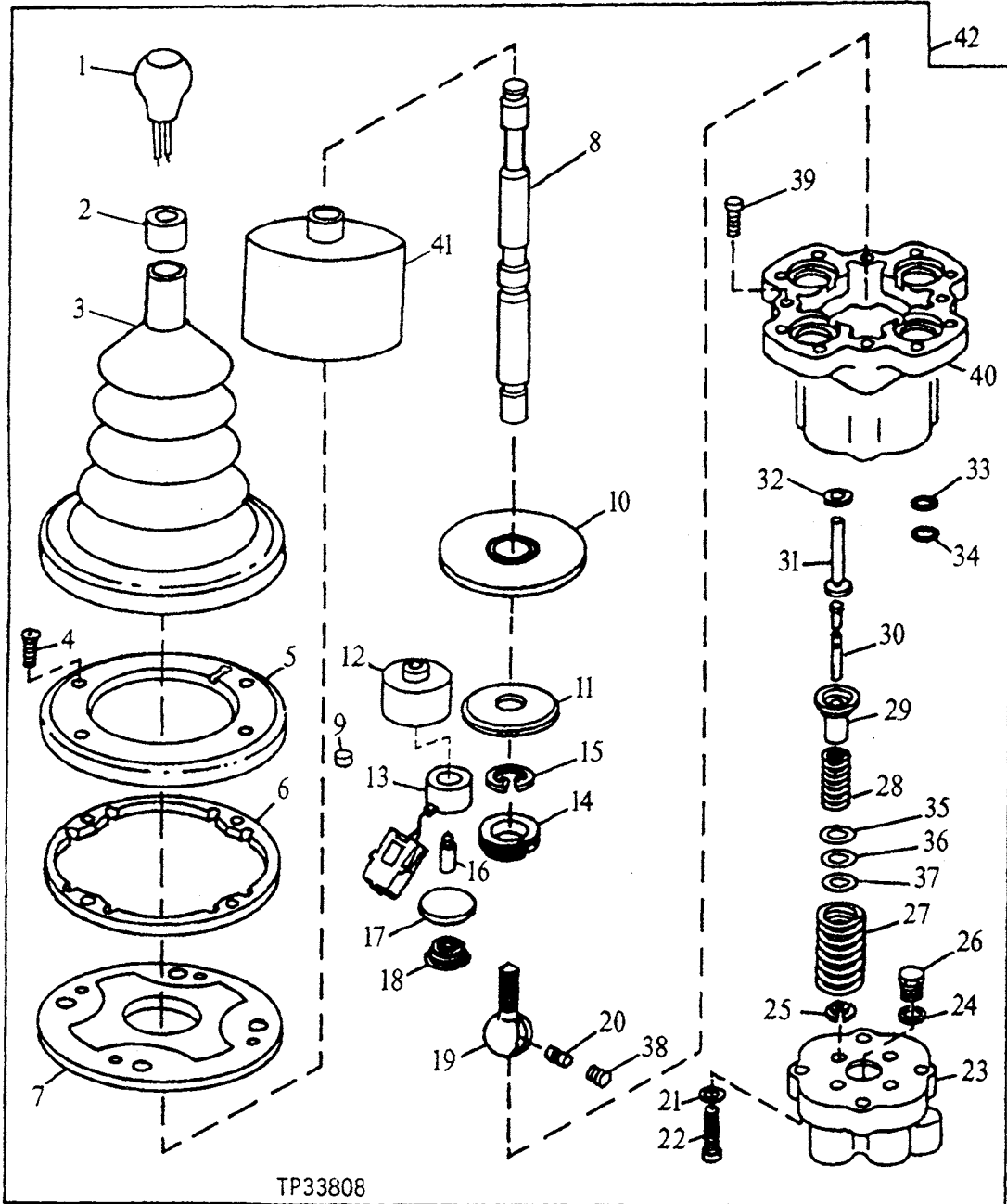
KEY	PART NO.	PART NAME	QTY	SERIAL NO.	REMARKS
19	T145390		1		AUXILIARY
20	T103105	PIN	1		
21	T131602	SPRING	3		B PORT ON BUCKET AND BOOM, A AND B PORT ON AUXILIARY
22	T102952	RETAINER	2		
23	T100097	O-RING	1		(K)
24	F3353R	O-RING	1		(K)
25	.....	HOUSING	1		(SUB AT159952) BUCKET SECTION
	.....	HOUSING	1		(SUB AT159953) BOOM SECTION
26	12M7006	LOCK WASHER	4		6.100 MM
27	19M7966	SCREW	4		M6 X 25
28	T22827	O-RING	2		(K)
29	T103097	CAP	2		
30	19H3640	SCREW	6		0.138" X 3/4"
31	AT151089	ELECTRICAL COIL	1		BUCKET SECTION (12-VOLT)
	AT151089	ELECTRICAL COIL	2		BOOM SECTION (12-VOLT)
	.....	ELECTRICAL COIL	1		(NOT REQUIRED AUXILIARY SECTION)
32	T102974	DISK	1		BUCKET SECTION
	T102974	DISK	2		BOOM SECTION
	.....	DISK	1		(NOT REQUIRED AUXILIARY SECTION)
33	T102975	SPRING	1		BUCKET SECTION
	T102975	SPRING	2		BOOM SECTION
	.....	SPRING	1		(NOT REQUIRED AUXILIARY SECTION)
34	T103107	RETAINER	1		BUCKET SECTION
	T103107	RETAINER	2		BOOM SECTION
	.....	RETAINER	1		(NOT REQUIRED AUXILIARY SECTION)
35	T103096	PIN	1		BUCKET SECTION
	T103096	PIN	2		BOOM SECTION
	.....	PIN	1		(NOT REQUIRED AUXILIARY SECTION)
36	.....	PLUNGER	1		BUCKET SECTION
	T103095	PLUNGER	2		BOOM SECTION
	.....	PLUNGER	1		(NOT REQUIRED AUXILIARY SECTION)
37	AT159954	VALVE	1		AUXILIARY (SINGLE AND 3 LEVER)
	AT159952	CONTROL VALVE	1		BUCKET (TWO AND THREE LEVER)
	AT159953	CONTROL VALVE	1		BOOM (TWO AND THREE LEVER)
38	T137988	WASHER	1		
39	14H774	NUT	2		3/8"
40	T141501	LEVER	1		DOUBLE BENT (AUXILIARY STAND ALONE)
41	19H3177	SCREW	4		0.164" X 0.620"
42	T145392	PLATE	1		
43	T22827	O-RING	2		

(K) KIT AT104041 (ALSO ORDER AT115876 TUBE OF GREASE)

# 3C07

## HYDRAULIC REMOTE CONTROLLER

TP33808



# 3C08

LOADER 31

HYDRAULIC SYSTEM 3160

## HYDRAULIC REMOTE CONTROLLER

KEY	PART NO.	PART NAME	QTY	SERIAL NO.	REMARKS
1	AT147001	KNOB	1		
2	T141746	RETAINER	1		
3	T141743	BOOT	1		
4	R70513	SCREW	1		
5	T141742	PLATE	1		TOP
6	T141740	SPACER	1		PLATE
7	T141741	PLATE	1		COIL, RETAINER
8	T141750	LEVER	1		LEVER
9	T131605	RELIEF VALVE	3		
10	AT151917	PLATE	1		DETENT
11	T141728	PLATE	1		PUSH
12	T141739	RETAINER	3		
13	AT161116	ELECTRICAL COIL	3		(12-V)
14	T141736	BALL JOINT RETAINER	1		BALL JOINT
15	M41029	SNAP RING	1		
16	T141738	PIN	3		
17	T102974	DISK	3		PULL
18	T102975	SPRING	3		
19	T141730	BALL STUD	1		BALL
20	T146043	PIN	1		ANTI-ROTATION
21	12M7006	LOCK WASHER	4		6.100 MM, 6.100 MM
22	19M7966	SCREW	4		M6 X 25
23	.....	HOUSING	1		(SUB AT149546)
	R102961	COVER	2		(IN HOUSING)
24	R26448	O-RING	1		(K1)
25	T102952	RETAINER	4		
26	AT49216	FITTING	1		
27	T131602	SPRING	4		RETURN (BORE "A, B, C AND D")
28	T145381	SPRING	4		MAIN ("BORE B, C AND D")
	T145382	SPRING	1		MAIN (BORE "A")
29	T102955	RETAINER	4		
30	.....	VALVE SPOOL	4		(SUB AT149546)
31	T102958	PLUNGER	4		
32	T131617	RING	4		(K1) (K2)
33	T77857	O-RING	1		(K1)
34	T30424	O-RING	4		(K1)
35	T103092	SHIM	AR		.004" THICK
36	T103093	SHIM	AR		.007" THICK
37	T103094	SHIM	AR		.015" THICK
38	15H560	PIPE PLUG	1		1/16"
39	R70513	SCREW	4		
40	T141737	HOUSING	1		
41	T131604	COVER	1		HEAT SHRINK WRAP
42	AT149546	CONTROL	1		HYDRAULIC REMOTE

(K1) KIT AT151918 (ALSO ORDER AT115876 TUBE OF GREASE)

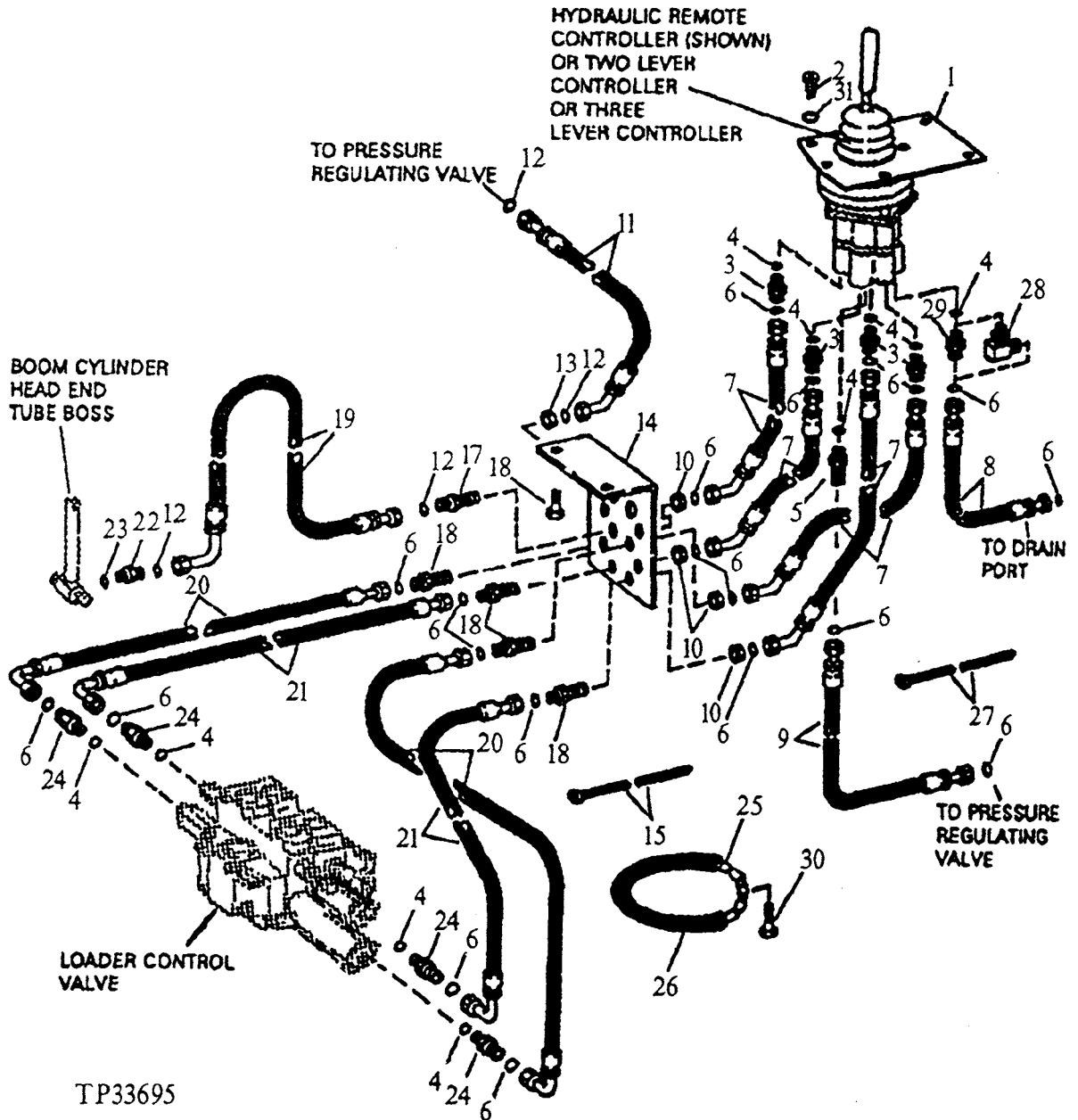
(K2) KIT AT104041 (ALSO ORDER AT115876 TUBE OF GREASE)



# 3C09

## SINGLE LEVER, TWO-LEVER AND THREE-LEVER REMOTE HYDRAULICS

TP33695



# 3C10

LOADER 31

HYDRAULIC SYSTEM 3160

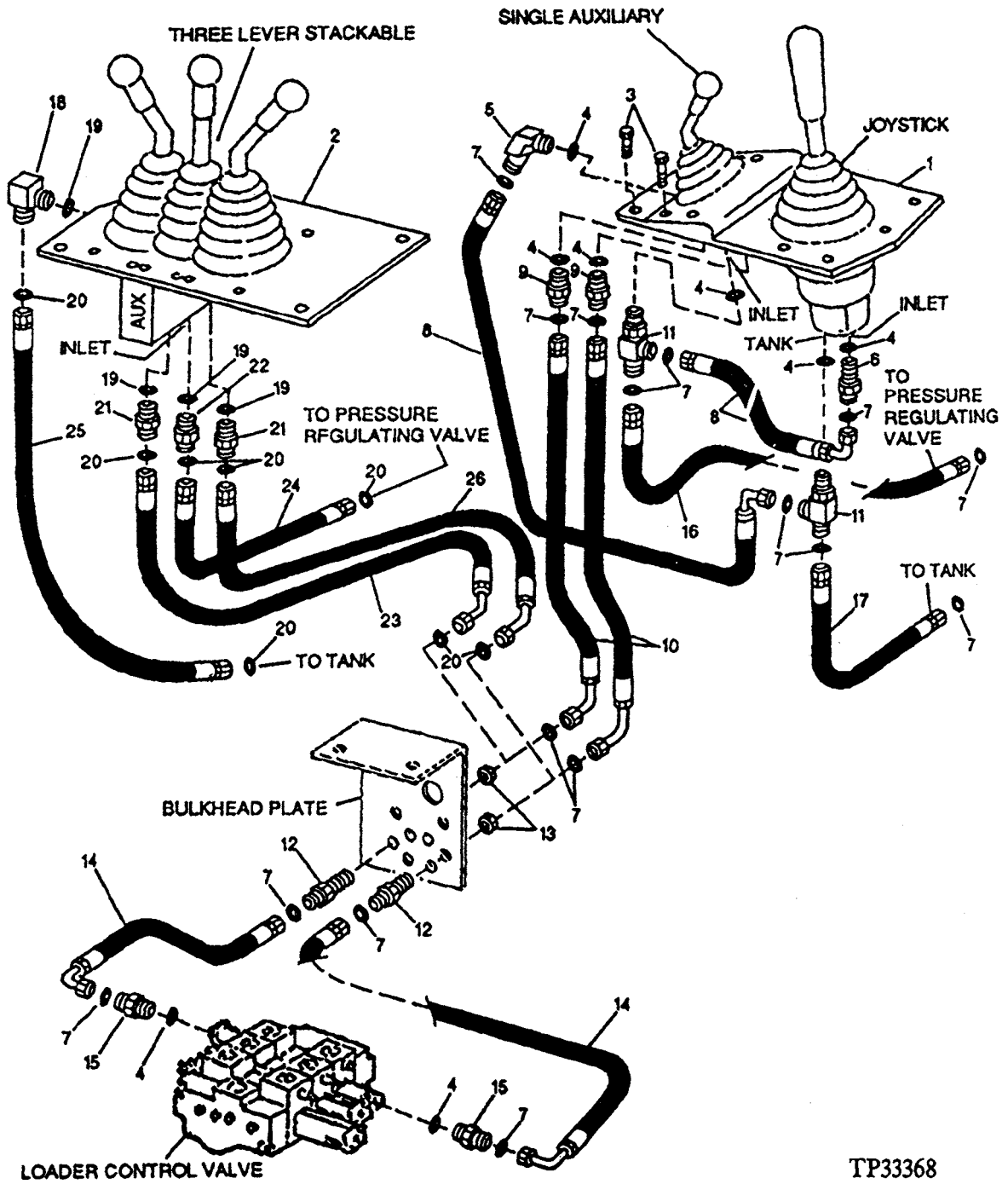
## SINGLE LEVER, TWO-LEVER AND THREE-LEVER REMOTE HYDRAULICS

KEY	PART NO.	PART NAME	QTY	SERIAL NO.	REMARKS
1	AT150683	PLATE	1		
	AT150684	PLATE	1		(USE WITH TWO-LEVER CONTROLLER)
	AT150685	PLATE	1		(USE WITH THREE-LEVER CONTROLLER)
2	21M7285	SCREW	8		M6 X 12, PAN HD. (USE WITH SINGLE LEVER CONTROLLER)
	21M7248	SCREW	8		M6 X 30, (USE WITH TWO-LEVER CONTROLLER)
	21M7285	SCREW	16		M6 X 12, (USE WITH THREE-LEVER CONTROLLER)
3	38H1160	ADAPTER	4		
4	R26448	O-RING	10		
5	38H1212	ADAPTER	1		
6	T77613	O-RING	20		
7	AT102413	HYDRAULIC HOSE	4		11/16" X 1 345 MM (53") X 11/16"
8	AT102430	HYDRAULIC HOSE	1		11/16" X 1 415 MM (55-3/4") X 11/16"
9	AT102429	HYDRAULIC HOSE	1		11/16" X 955 MM (37-1/2") X 11/16"
10	T81029	NUT	4		
11	AT102427	HYDRAULIC HOSE	1		9/16" X 1 075 MM (42-1/4") X 9/16"
12	T77814	O-RING	4		
13	14H832	NUT	1		9/16"
14	T108441	PLATE	1		
15	24M7239	WASHER	3		10.700 X 21 X 2.500 MM
16	19M7784	SCREW	2		M10 X 20
17	38H1284	ADAPTER	1		
18	38H1285	UNION FITTING	4		
19	AT117118	HYDRAULIC HOSE	1		9/16" X 1 200 MM (47-1/4") X 9/16"
20	AT102866	HYDRAULIC HOSE	2		11/16" X 1 445 MM (57") X 11/16"
21	AT102553	HYDRAULIC HOSE	2		11/16" X 1 370 MM (54") X 11/16"
22	AT134931	CHECK VALVE	1		
23	R28782	O-RING	1		
24	38H1160	ADAPTER	2		
	AT150667	VALVE	2		(USED WITH TANDEM VALVE BUCKET SECTION PILOT CAPS)
25	.....	LINK CHAIN	1		(MAKE FROM T139132, 40 LINKS)
26	.....	HOSE	AR		(MAKE FROM T139131 BULK MATERIAL, CUT TO LENGTH)
27	H77698	TIE BAND	AR		
28	38H1004	ELBOW FITTING	1		(USE WITH TWO AND THREE-LEVER CONTROLLER)
29	38H1160	ADAPTER	1		(USE WITH SINGLE LEVER CONTROLLER)
30	19M7785	SCREW	1		M10 X 25
31	24M7054	WASHER	12		6.400 X 12 X 1.600 MM
32	N189220	TIE BAND	1		(USE WITH SINGLE AND TWO-LEVER CONTROLLER)

# 3C11

## THIRD FUNCTION REMOTE HYDRAULICS

TP33368



TP33368

# 3C12

LOADER 31

HYDRAULIC SYSTEM 3160

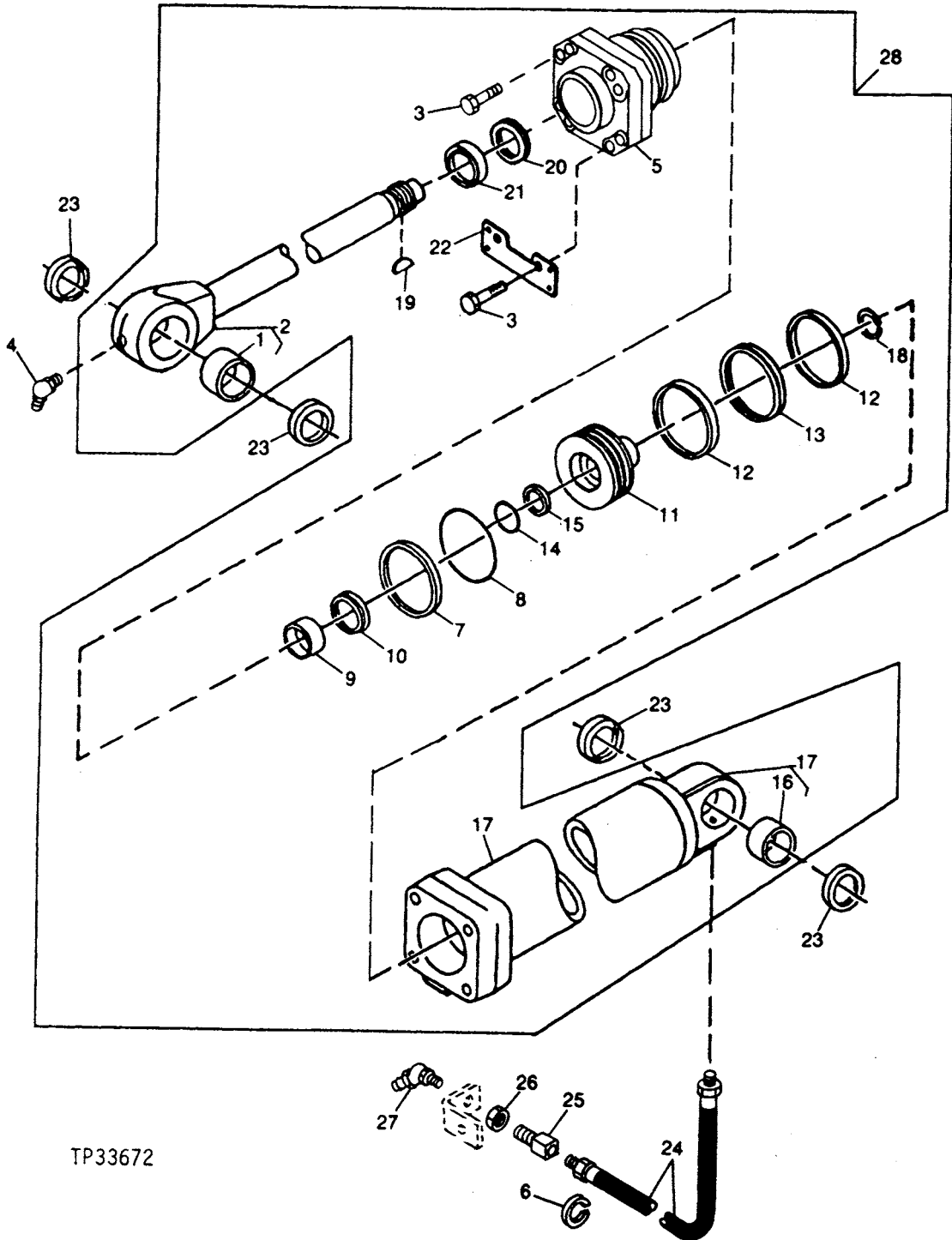
## THIRD FUNCTION REMOTE HYDRAULICS

KEY	PART NO.	PART NAME	QTY	SERIAL NO.	REMARKS
1	AT117026	PLATE	1		(USE WITH SINGLE LEVER JOYSTICK AND SINGLE LEVER AUXILIARY)
	AT151027	PLATE	1		(USE WITH SINGLE LEVER JOYSTICK AND SINGLE LEVER AUXILIARY)
2	T120420	PLATE	1		(USE WITH THREE-LEVER STACKABLE)
3	21M7285	SCREW	12		M6 X 12, (USE WITH SINGLE LEVER JOYSTICK AND SINGLE LEVER AUXILIARY)
	24M7054	WASHER	12		6.400 X 12 X 1.600 MM, (USE WITH SINGLE-LEVER JOYSTICK AND SINGLE-LEVER AUXILIARY)
	21M7285	SCREW	16		M6 X 12, (USE WITH THREE-LEVER STACKABLE)
	24M7054	WASHER	16		6.400 X 12 X 1.600 MM, (USE WITH THREE-LEVER STACKABLE)
4	R26448	O-RING	8		
5	38H1004	ELBOW FITTING	1		
6	38H1212	ADAPTER	1		
7	T77613	O-RING	16		
8	AT103379	HYDRAULIC HOSE	2		11/16" X 655 MM (25-3/4") X 11/16"
9	38H1160	ADAPTER	2		
10	AT103378	HYDRAULIC HOSE	2		11/16" X 1 454 MM (57-1/4") X 11/16"
11	38H1023	TEE FITTING	2		
12	38H1285	UNION FITTING	2		
13	T81029	NUT	2		
14	AT102553	HYDRAULIC HOSE	2		11/16" X 1 370 MM (54") X 11/16", (THIRD-FUNCTION SECTION)
15	38H1160	ADAPTER	2		
16	AT102429	HYDRAULIC HOSE	1		11/16" X 955 MM (37-1/2") X 11/16"
17	AT102430	HYDRAULIC HOSE	1		11/16" X 1 415 MM (55-3/4") X 11/16"
18	38H1004	ELBOW FITTING	1		
19	R26448	O-RING	4		
20	T77613	O-RING	8		
21	38H1160	ADAPTER	2		
22	38H1212	ADAPTER	1		
23	AT102413	HYDRAULIC HOSE	1		11/16" X 1 345 MM (53") X 11/16"
24	AT102429	HYDRAULIC HOSE	1		11/16" X 955 MM (37-1/2") X 11/16"
25	AT102430	HYDRAULIC HOSE	1		11/16" X 1 415 MM (55-3/4") X 11/16"
26	AT103378	HYDRAULIC HOSE	1		11/16" X 1 454 MM (57-1/4") X 11/16"

# 3C13

## BUCKET CYLINDER

TP33672



TP33672

THIS PARTS LISTING IS CONTINUED

# 3C14

LOADER 31

HYDRAULIC SYSTEM 3160

**BUCKET CYLINDER**

KEY	PART NO.	PART NAME	QTY	SERIAL NO.	REMARKS
1	R85556	BUSHING	1		
2	RE25876	ROD	1		
3	19M8629	SCREW	4		M20 X 70
4	JD7763	LUBRICATION FITTING	1		
5	H145440	HYDR. CYLINDER ROD GUIDE	1		
6	R44302	TIE BAND	4		
7	R89634	BACK-UP RING	1		(BK)
8	R89632	RING	1		(BK)
9	R85230	BACK-UP RING	1		(RK)
10	RE25150	SEAL	1		(RK)
11	R93779	PISTON	1		
12	R85229	WEAR RING	2		(BK)
13	RE25147	SEAL	1		(BK)
14	R86192	O-RING	1		(RK)
15	R80521	BACK-UP RING	2		(RK)
16	R85556	BUSHING	1		
17	AH139464	HYDRAULIC CYLINDER BARREL	1		
18	R86103	SNAP RING	1		
19	R86102	KEY	1		
20	RE25149	SEAL	1		(RK)
21	RE25148	SEAL	1		(RK)
22	H145567	BRACKET	1		
23	T102138	SEAL	4		
24	AT103107	HYDRAULIC HOSE	1		1/8" X 1 100 MM (43-1/4") X 1/8"
25	R36311	FITTING	1		
26	E12379	NUT	1		
27	JD7788	LUBRICATION FITTING	1		
28	AH139266	HYDRAULIC CYLINDER	1		

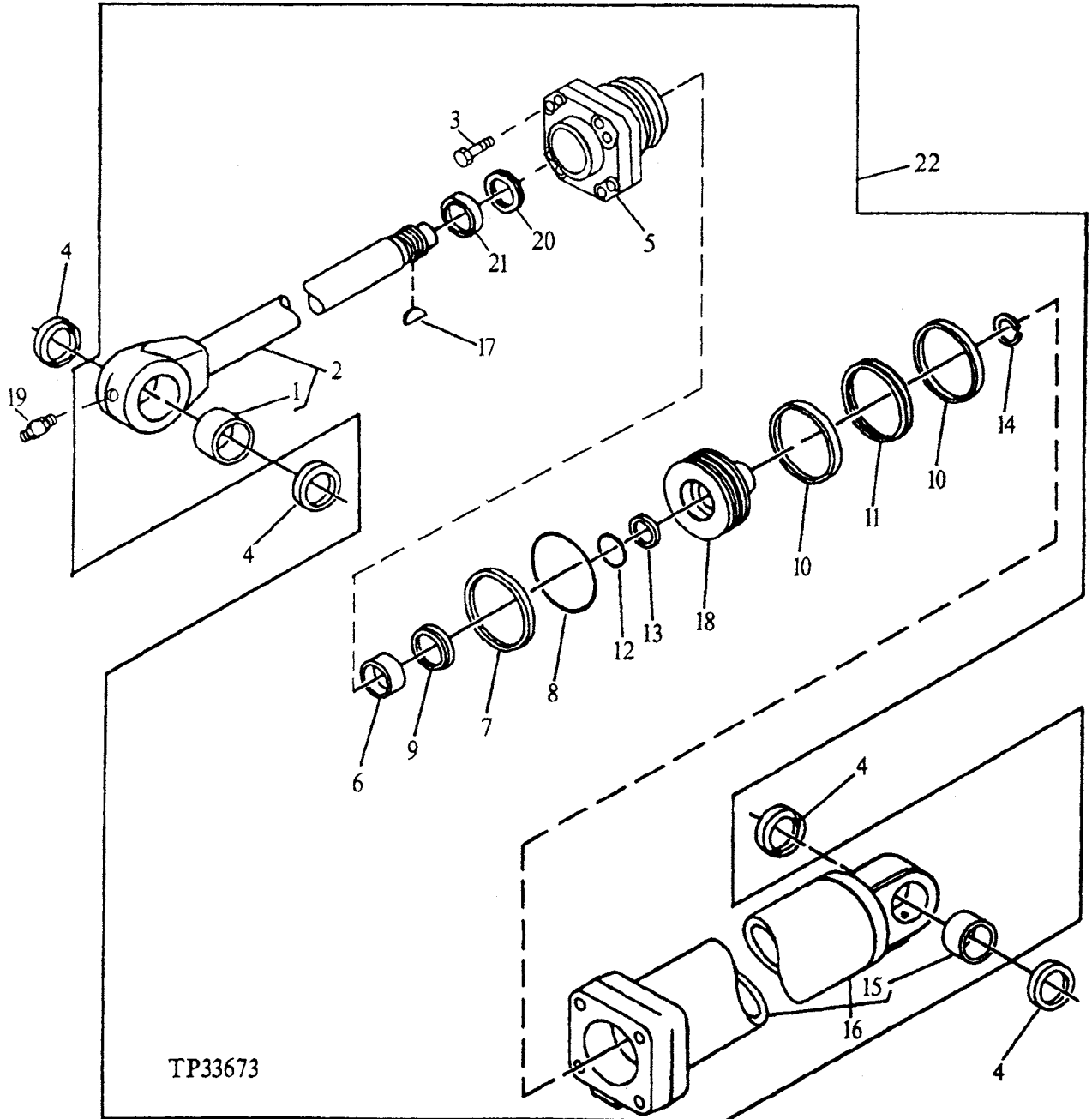
(BK) AH137211 BORE REPAIR KIT

(RK) RE25152 ROD REPAIR KIT

# 3C15

## BOOM CYLINDER

TP33673



# 3C16

LOADER 31

HYDRAULIC SYSTEM 3160

## BOOM CYLINDER

KEY	PART NO.	PART NAME	QTY	SERIAL NO.	REMARKS
1	R85555	BUSHING	1		
2	AH139474	ROD	1		
3	19M8629	SCREW	4		M20 X 70
4	T102207	SEAL	4		
5	H145439	HYDR. CYLINDER ROD GUIDE	1		
6	R85230	BACK-UP RING	1		(RK)
7	R98669	BACK-UP RING	1		(BK)
8	H88900	O-RING	1		(BK)
9	RE25150	SEAL	1		(RK)
10	R85228	WEAR RING	2		(BK)
11	RE25146	SEAL	1		(BK)
12	R86192	O-RING	1		(RK)
13	R80521	BACK-UP RING	2		(RK)
14	R86103	SNAP RING	1		
15	R85555	BUSHING	1		
16	AH139463	HYDRAULIC CYLINDER BARREL	1		
17	R86102	KEY	1		
18	R93778	PISTON	1		
19	JD7759	LUBRICATION FITTING	1		
20	RE25149	SEAL	1		(RK)
21	RE25148	SEAL	1		(RK)
22	AH139265	HYDRAULIC CYLINDER	2		

(BK) AH137210 BORE REPAIR KIT

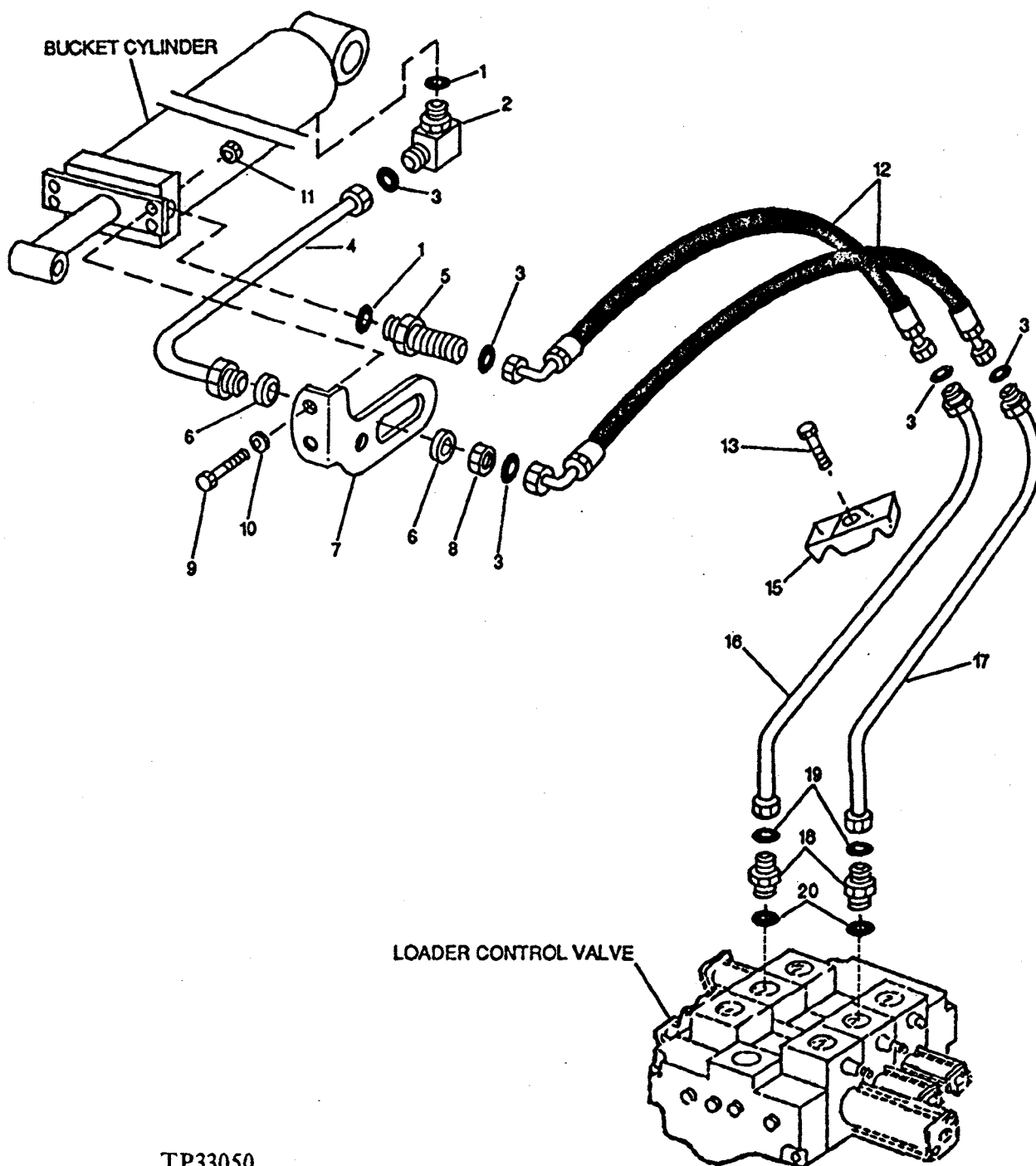
(RK) RE25152 ROD REPAIR KIT



# 3C17

## LOADER CONTROL VALVE TO BUCKET CYLINDER HYDRAULICS

TP33050



TP33050

# 3C18

LOADER 31

HYDRAULIC SYSTEM 3160

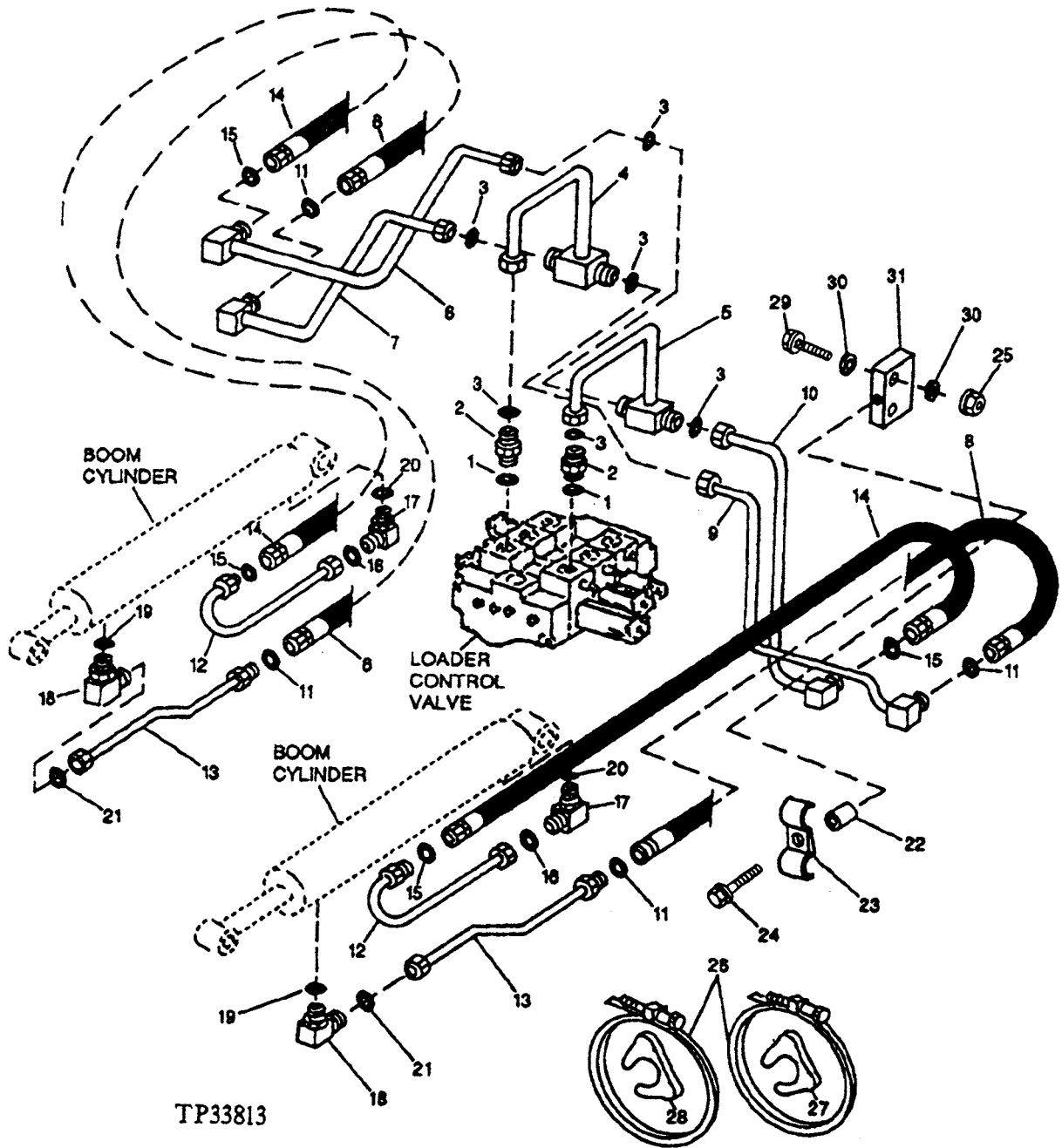
## LOADER CONTROL VALVE TO BUCKET CYLINDER HYDRAULICS

KEY	PART NO.	PART NAME	QTY	SERIAL NO.	REMARKS
1	U13639	O-RING	2		
2	38H1008	ELBOW FITTING	1		
3	T78612	O-RING	5		
4	AT151177	OIL LINE	1		
5	38H1165	ADAPTER	1		
6	24H1561	WASHER	2		1-3/4" X 2-3/4" X 0.060"
7	T140898	BRACKET	1		
8	T78714	NUT	1		
9	19M7938	CAP SCREW	2		M10 X 20
10	24M7239	WASHER	2		10.700 X 21 X 2.500 MM
11	14M7274	NUT	2		M10
12	AT103090	HYDRAULIC HOSE	2		1-11/16" X 1 160 MM (45-3/4") X 1-11/16"
13	19M7935	CAP SCREW	1		M10 X 55
15	T123721	CLAMP	1		
16	AT150786	OIL LINE	1		RIGHT DUMP
17	AT150785	OIL LINE	1		LEFT ROLLBACK
18	38H1216	ADAPTER	2		
19	T76938	O-RING	2		
20	R29936	O-RING	2		

# 3C19

## LOADER CONTROL VALVE TO BOOM CYLINDER HYDRAULICS

TP33813



# 3C20

LOADER 31

HYDRAULIC SYSTEM 3160

## LOADER CONTROL VALVE TO BOOM CYLINDER HYDRAULICS

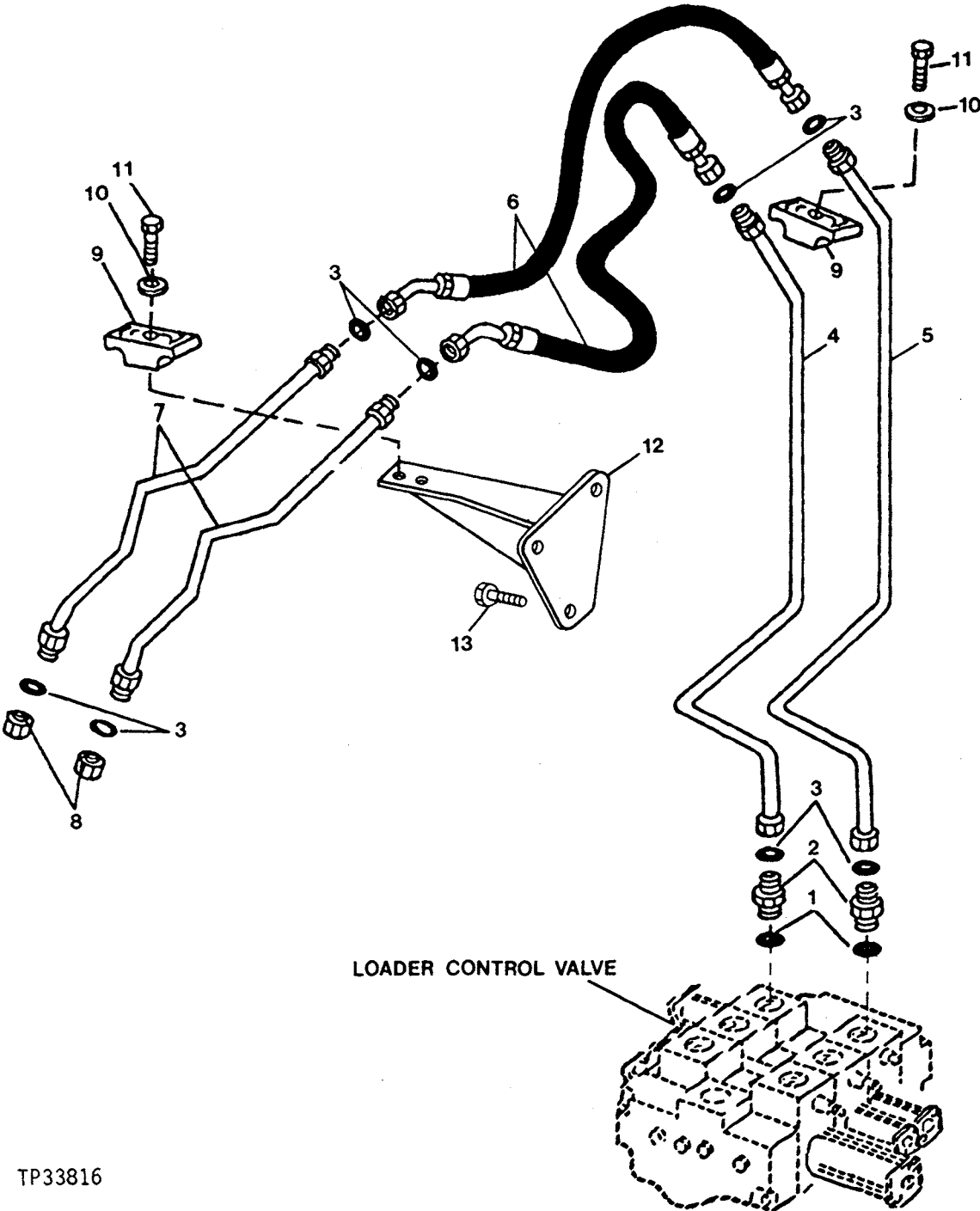
KEY	PART NO.	PART NAME	QTY	SERIAL NO.	REMARKS
1	R29936	O-RING	2		
2	38H1196	ADAPTER	2		
3	T78612	O-RING	6		
4	AT142060	OIL LINE	1		TUBE, BOOM LOWER, TANDEM VALVE
5	AT142061	OIL LINE	1		TUBE, BOOM RAISE, TANDEM VALVE
6	AT135738	LINE	1		
7	AT142308	OIL LINE	1		TUBE, BOOM LOWER RIGHT, TANDEM VALVE
8	AT102435	HYDRAULIC HOSE	2		1-3/16" X 1 280 MM (50-1/2") X 1-3/16", LOWER
9	AT142309	OIL LINE	1		TUBE, BOOM LOWER LEFT, TANDEM VALVE
10	AT137539	BRACKET	1		
11	T77858	O-RING	4		
12	AT150781	OIL LINE	2		RAISE
13	AT150782	OIL LINE	2		LOWER
14	AT103088	HYDRAULIC HOSE	2		RAISE
15	T76938	O-RING	4		
16	T78612	O-RING	2		
17	38H1008	ELBOW FITTING	2		
18	38H1037	ELBOW FITTING	2		
19	R29936	O-RING	2		
20	U13639	O-RING	2		
21	T76938	O-RING	2		
22	28H1697	SPACER	2		
23	T40705	CLAMP	2		
24	19M7805	SCREW	2		M10 X 45
25	14M7296	FLANGE NUT	2		M10
26	AT103166	CLAMP	4		
27	T102005	GUIDE	2		RAISE TUBES
28	T105773	GUIDE	2		LOWER TUBES
29	19M7807	SCREW	4		M10 X 60
30	24M7296	WASHER	8		10.500 X 30 X 2.500 MM
31	T127230	LUBRICATOR	2		
32	14M7296	FLANGE NUT	4		M10

AT135738

# 3C21

## THIRD FUNCTION AUXILIARY HYDRAULICS

TP33816



TP33816

# 3C22

LOADER 31

HYDRAULIC SYSTEM 3160

## THIRD FUNCTION AUXILIARY HYDRAULICS

KEY	PART NO.	PART NAME	QTY	SERIAL NO.	REMARKS
1	R29936	O-RING	2		
2	38H1164	ADAPTER	2		
3	T76938	O-RING	8		
4	AT150787	OIL LINE	1		TUBE, AUXILIARY, THIRD RIGHT, TANDEM VALVE
5	AT150788	OIL LINE	1		TUBE, AUXILIARY, THIRD LEFT, TANDEM VALVE
6	AT103088	HYDRAULIC HOSE	1		
7	AT150789	OIL LINE	1		
8	38H1419	FITTING PLUG	2		
9	T123721	CLAMP	3		
10	24M7239	WASHER	3		10.700 X 21 X 2.500 MM
11	19M7935	CAP SCREW	3		M10 X 55
12	AT151872	BRACKET	1		
13	19M7402	CAP SCREW	3		M10 X 25

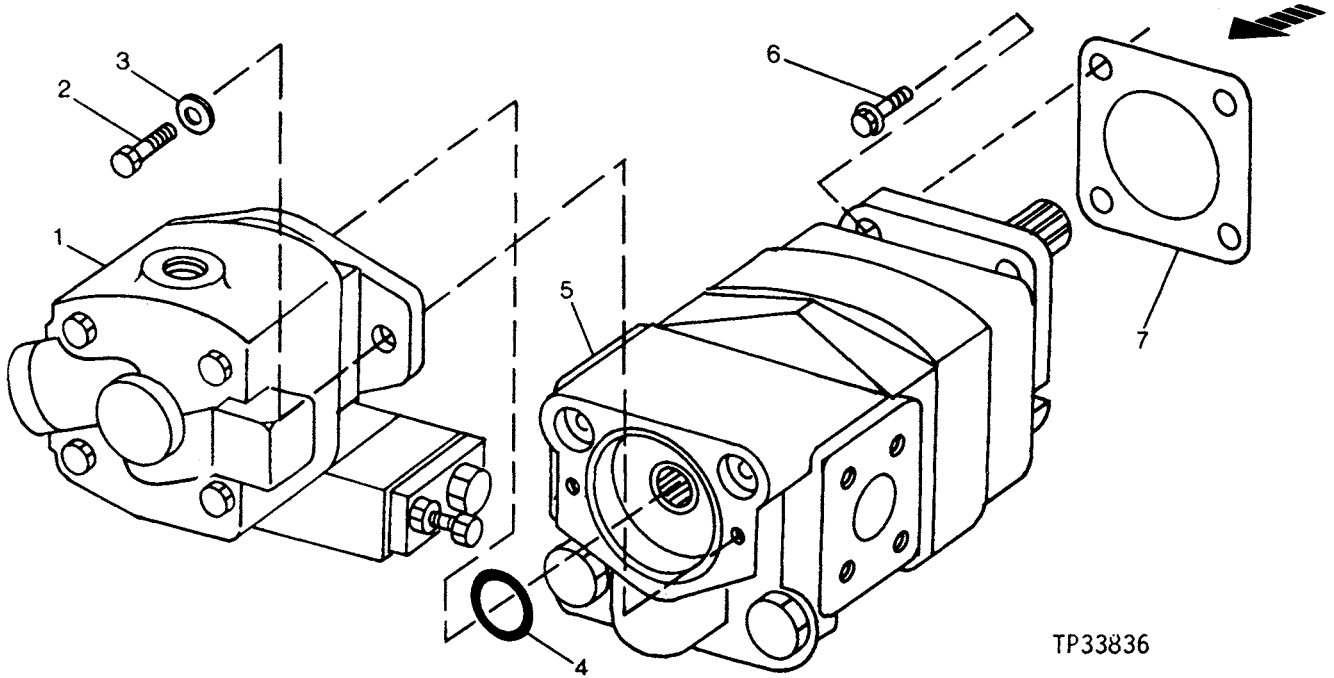
# 3C23

LOADER 31

HYDRAULIC SYSTEM 3160

## HYDRAULIC PUMP

TP33836



TP33836

KEY	PART NO.	PART NAME	QTY	SERIAL NO.	REMARKS
1	AT139444	PUMP	1		(CLOSED CENTER)
2	19H2676	CAP SCREW	2		3/8" X 1"
3	R69536	WASHER	2		
4	T102246	PACKING	1		
5	AT149945	HYDRAULIC PUMP	1		(OPEN CENTER)
6	19M7791	SCREW	4		M12 X 40
7	T63085	GASKET	1		

**MEMORANDA**



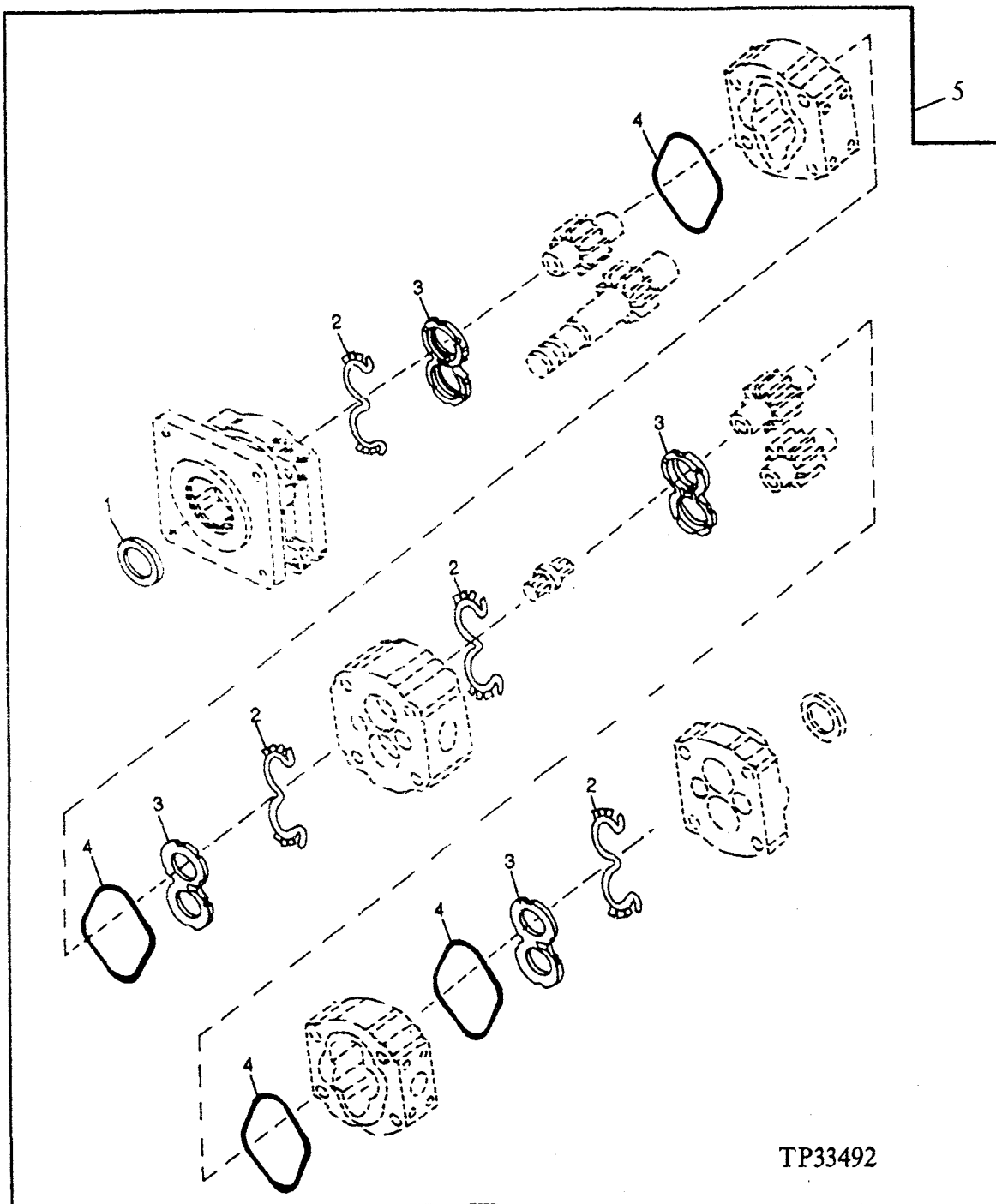
# 3C24

LOADER 31

HYDRAULIC SYSTEM 3160

## HYDRAULIC PUMP KIT (OPEN CENTER)

TP33492



# 3C25

LOADER 31

HYDRAULIC SYSTEM 3160

## HYDRAULIC PUMP KIT (OPEN CENTER)

KEY	PART NO.	PART NAME	QTY	SERIAL NO.	REMARKS
1	T81110	SEAL	1		(K1) (FRONT)
	.....	SEAL	1		(K1) (REAR)
2	.....	SEAL	4		(K2)
3	.....	PLATE	4		(K2)
4	.....	GASKET	4		(K1)
5	AT149945	HYDRAULIC PUMP	1		

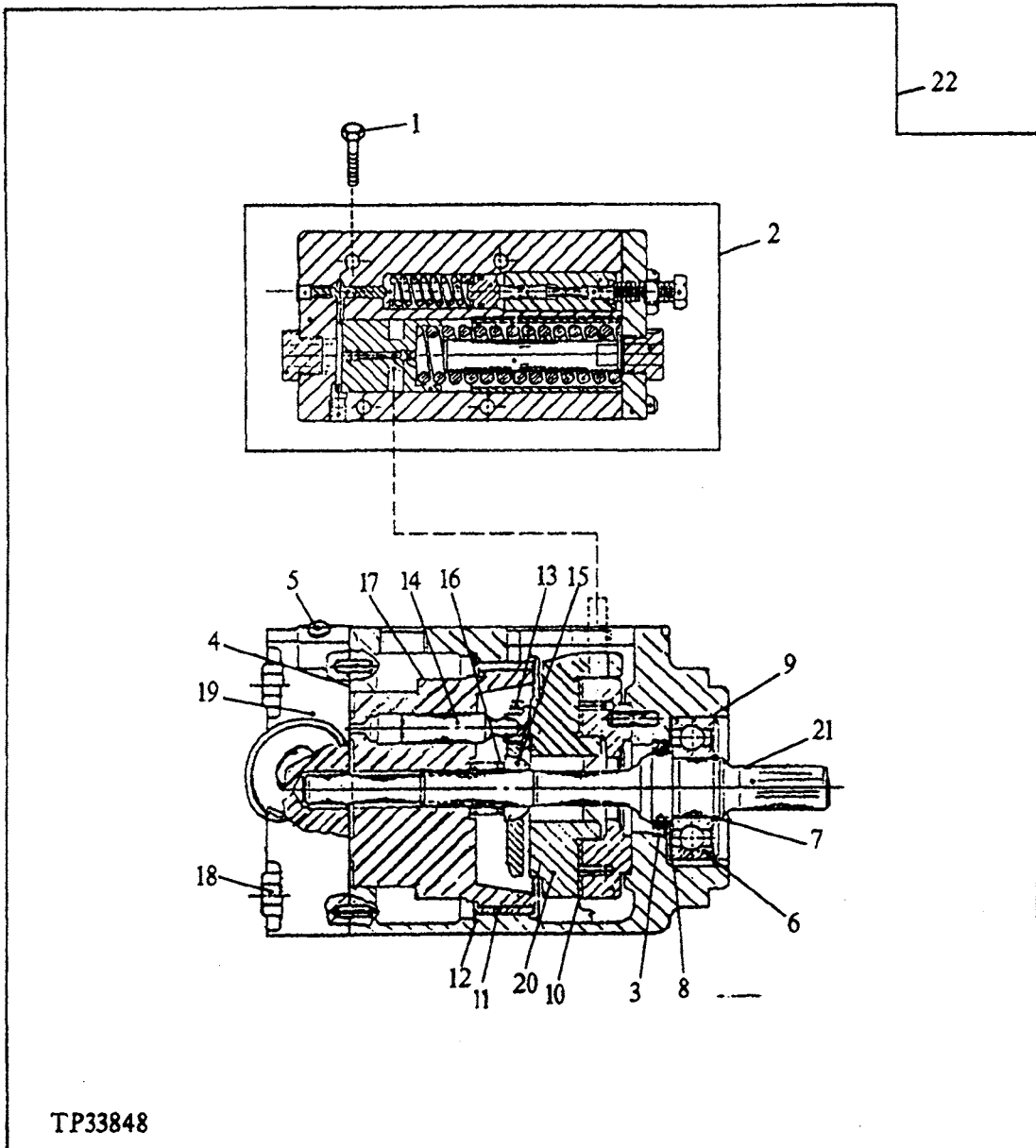
(K1) KIT AT104036

(K2) KIT AT104037

# 3D01

## BRAKE PUMP (CLOSED CENTER)

TP33848



TP33848

# 3D02

LOADER 31

HYDRAULIC SYSTEM 3160

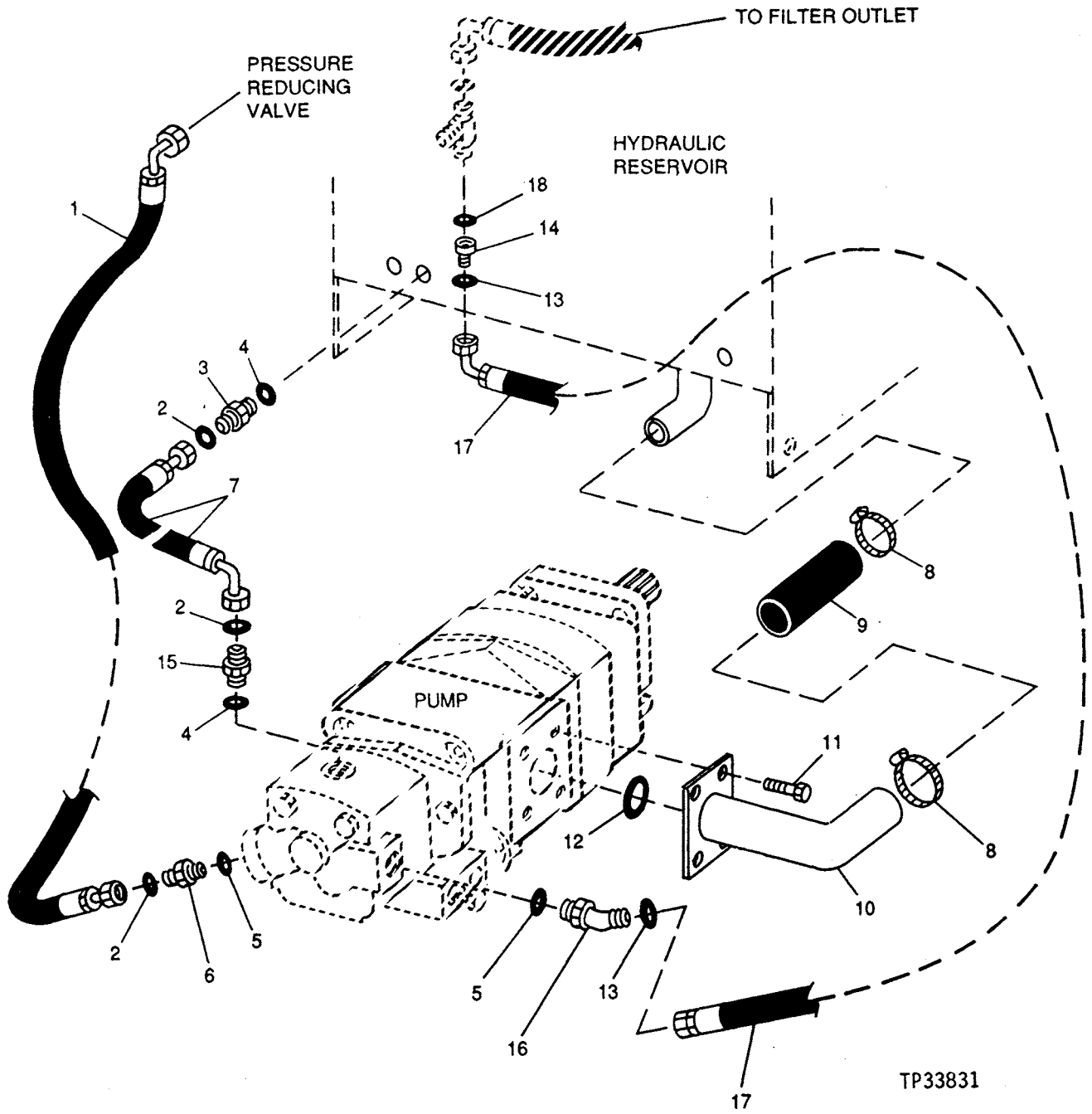
## BRAKE PUMP (CLOSED CENTER)

KEY	PART NO.	PART NAME	QTY	SERIAL NO.	REMARKS
1	19M8447	SCREW	4		M10 X 35
2	.....	HOUSING	1		(SUB AT103984)
3	M45398	PIN	2		
4	T119422	GASKET	1		
5	M45389	PIN	1		
6	AT116910	NEEDLE BEARING	1		
7	.....	PLATE	1		( T119421 USE IF AVAILABLE)
8	.....	KIT	1		( AT116819 USE IF AVAILABLE)
9	.....	PLATE	1		( T119426 USE IF AVAILABLE)
10	.....	SWASH PLATE	1		( T119425 USE IF AVAILABLE)
11	.....	O-RING	1		(SUB AT116818)
12	.....	BOLT	4		(SUB AT116818)
13	.....	GASKET	1		(SUB AT116818)
14	M71741	SCREW	6		
15	.....	CYLINDER	1		( T119424 USE IF AVAILABLE)
16	AT116818	KIT	1		
17	.....	RETAINER	1		( T119482 USE IF AVAILABLE)
18	T119423	SPRING	1		
19	.....	HOUSING	1		( T119419 USE IF AVAILABLE)
20	40M7043	SNAP RING	1		
21	T119420	DRIVE SHAFT	1		
22	JD7169	BALL BEARING	1		
23	40M1828	SNAP RING	1		
24	40M7094	SNAP RING	1		
25	AT116820	SEAL	1		
26	M74600	O-RING	1		
27	R27218	FITTING PLUG	1		
28	.....	BEARING	2		( T119483 USE IF AVAILABLE)
29	U46489	O-RING	2		
30	.....	TRUNNION	2		( T119427 USE IF AVAILABLE)
31	AT103984	HYDRAULIC PUMP	1		

# 3D03

## HYDRAULIC PUMP HOSES AND FITTINGS

TP33831



# 3D04

LOADER 31

HYDRAULIC SYSTEM 3160

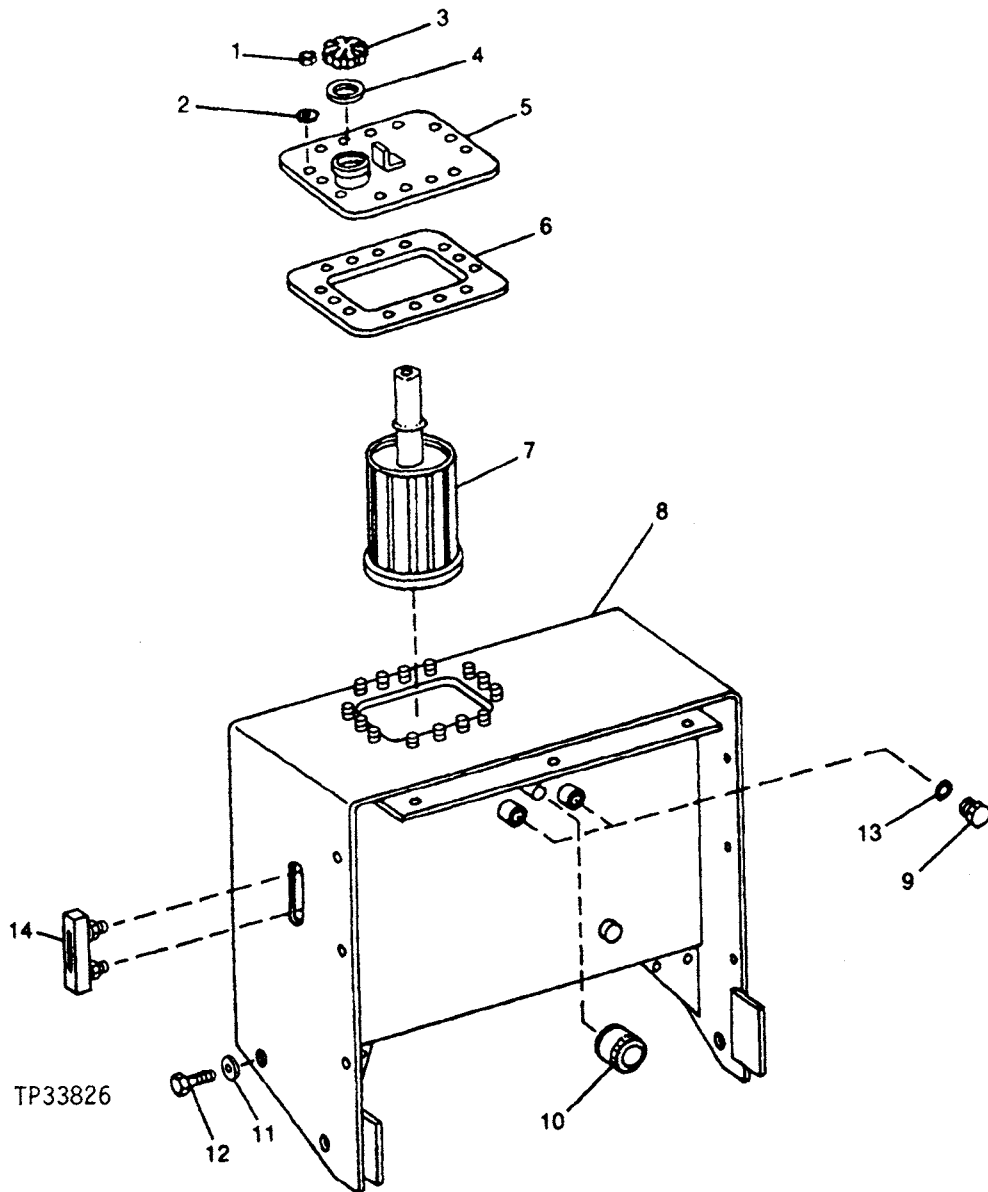
## HYDRAULIC PUMP HOSES AND FITTINGS

KEY	PART NO.	PART NAME	QTY	SERIAL NO.	REMARKS
1	AT150616	HOSE	1		45/64" X 889 MM (35") X 45/64"
2	T77814	O-RING	6		
3	38H1173	ADAPTER	1		
4	R26448	O-RING	3		
5	R29936	O-RING	3		
6	L32705	THREADED NIPPLE	1		
7	AT151289	HOSE	1		13/16" X 1 115 MM (44") X 13/16"
8	AT39141	CLAMP	AR		
9	T108328	HYDRAULIC HOSE	1		
10	AT161536	OIL LINE	1		
11	19H2898	CAP SCREW	4		1/2" X 1-1/4"
12	F1870R	O-RING	1		
13	T76938	O-RING	2		
14	38H1484	REDUCER	1		
15	38H1161	ADAPTER	1		
16	38H1049	ELBOW FITTING	1		
17	AT161533	HOSE	1		
18	T78612	O-RING	1		

# 3D05

## HYDRAULIC RESERVOIR

TP33826



TP33826

# 3D06

LOADER 31

HYDRAULIC SYSTEM 3160

## HYDRAULIC RESERVOIR

KEY	PART NO.	PART NAME	QTY	SERIAL NO.	REMARKS
1	14M7334	FLANGE NUT	14		M10
2	24M7296	WASHER	14		10.500 X 30 X 2.500 MM
3	T121028	FILLER CAP	1		
4	T103461	GASKET	1		
5	AT116984	COVER	1		RESERVOIR
6	T114729	GASKET	1		RESERVOIR COVER
7	AT147017	FILTER	1		SUCTION
8	AT157540	HYDRAULIC RESERVOIR	1		
9	R39112	DRAIN PLUG	2		
10	AM39653	OIL FILTER	1		AIR BREATHER
11	24M7241	WASHER	4		17 X 34 X 4 MM
12	19M7369	CAP SCREW	4		M16 X 60
13	R26375	O-RING	2		
14	AT157532	TUBE	1		



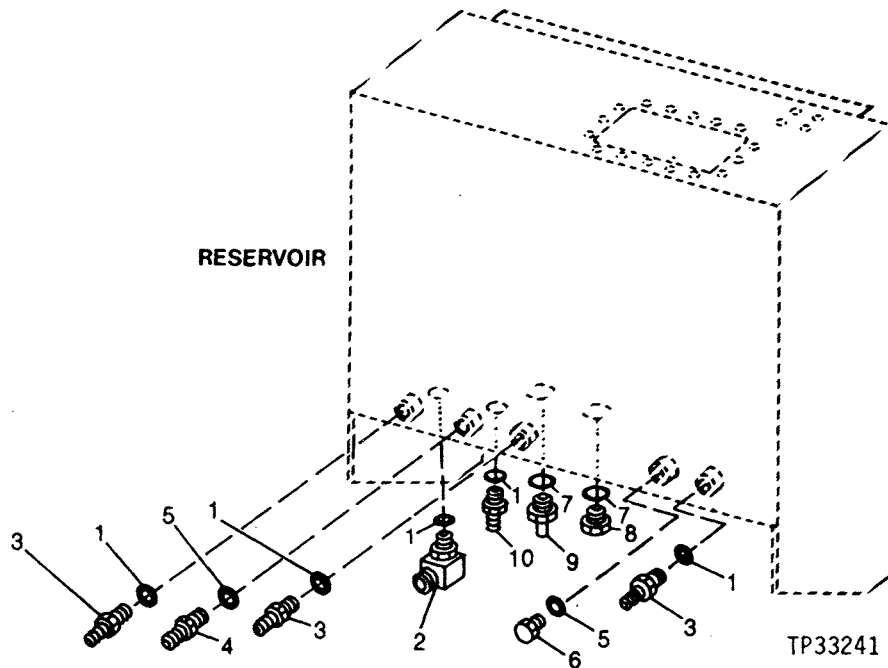
# 3D07

LOADER 31

HYDRAULIC SYSTEM 3160

## HYDRAULIC RESERVOIR FITTINGS

TP33241



KEY	PART NO.	PART NAME	QTY	SERIAL NO.	REMARKS
1	R26448	O-RING	5		
2	38H1004	ELBOW FITTING	1		(RIGHT BOTTOM PORT, FIRST FROM RIGHT)
3	38H1160	ADAPTER	3		(FRONT PORTS, FIRST, THIRD AND FIFTH FROM RIGHT)
4	38H1445	ADAPTER	1		(FRONT PORT, PUMP DRAIN RETURN)
5	R26375	O-RING	2		
6	R39112	DRAIN PLUG	1		(FRONT PORT, SECOND FROM RIGHT)
7	U12547	O-RING	2		
8	AT152180	DRAIN VALVE	1		(BOTTOM RIGHT, INSIDE DRAIN PORT)
9	38H1163	ADAPTER	1		(BOTTOM RIGHT, REAR RETURN PORT)
10	38H1168	ADAPTER	1		(RIGHT BOTTOM PORT, SECOND FROM RIGHT)

**MEMORANDA**

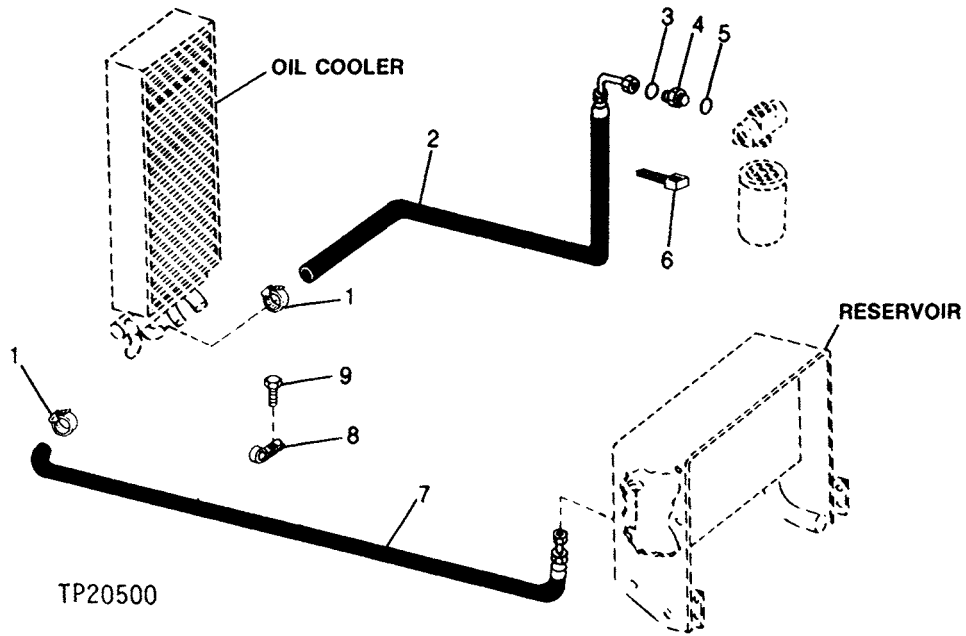
# 3D08

LOADER 31

HYDRAULIC SYSTEM 3160

## HYDRAULIC RESERVOIR AND RETURN FILTER HOSES TO OIL COOLER

TP20500



KEY	PART NO.	PART NAME	QTY	SERIAL NO.	REMARKS
1	AT79195	CLAMP	2		
2	AT103395	HYDRAULIC HOSE	1		1-3/16" X 2 483 MM (97-3/4") X ....
3	U12547	O-RING	1		
4	38H1163	ADAPTER	1		
5	T77858	O-RING	1		
6	H77698	TIE BAND	AR		
7	AT116046	HYDRAULIC HOSE	1		1-3/16" X 2 089 MM (82-1/4") X ....
8	R72659	CLAMP	AR		
9	19M7938	CAP SCREW	1		M10 X 20

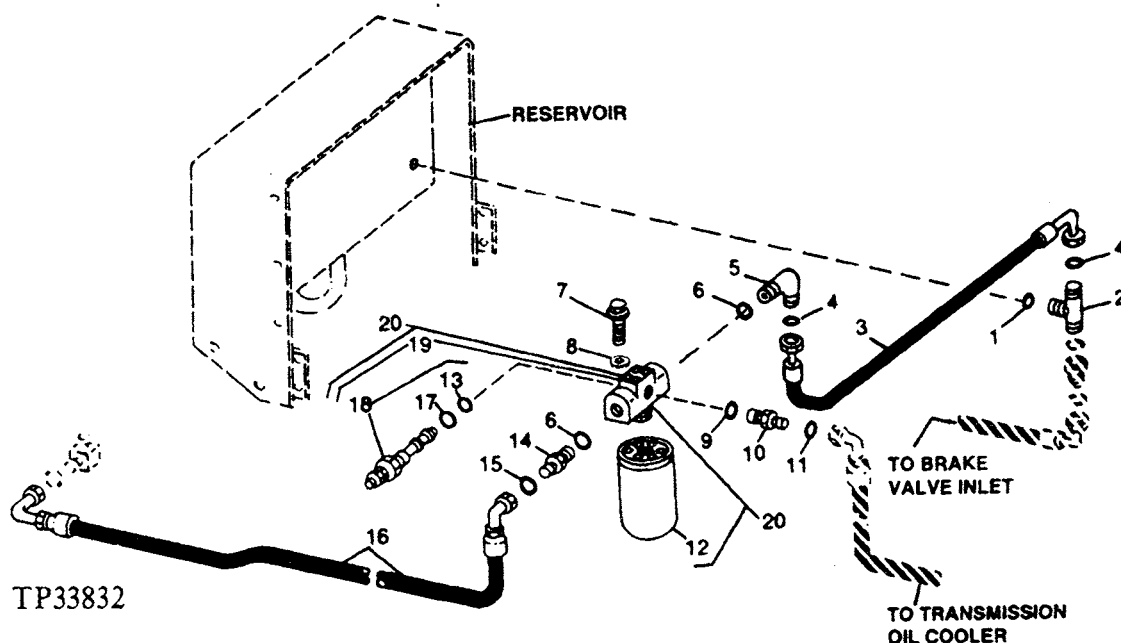
# 3D09

LOADER 31

HYDRAULIC SYSTEM 3160

## HYDRAULIC FILTER AND HOSES

33832



KEY	PART NO.	PART NAME	QTY	SERIAL NO.	REMARKS
1	R29936	O-RING	1		
2	38H1053	ELBOW FITTING	1		
3	AT134886	HYDRAULIC HOSE	1		1-11/16" X 810 MM (32") X 1-11/16"
4	T78612	O-RING	2		
5	38H1008	ELBOW FITTING	1		
6	U13639	O-RING	1		
7	19M7785	SCREW	4		M10 X 25
8	24M7238	WASHER	4		8.700 X 17 X 2 MM
9	U12547	O-RING	1		
10	38H1163	ADAPTER	1		
11	T77858	O-RING	1		
12	AT140315	FILTER ELEMENT	1		
13	P46051	O-RING	1		
14	38H1165	ADAPTER	1		
15	T76938	O-RING	1		
16	AT102915	HYDRAULIC HOSE	1		1-11/16" X 1 895 MM (74-1/2") X 1-11/16"
17	R26375	O-RING	1		
18	AT129419	KIT	1		FILTER RESTRICTION SWITCH
19	AT144994	FILTER HEAD	1		
20	AT144882	HYDRAULIC FILTER	1		

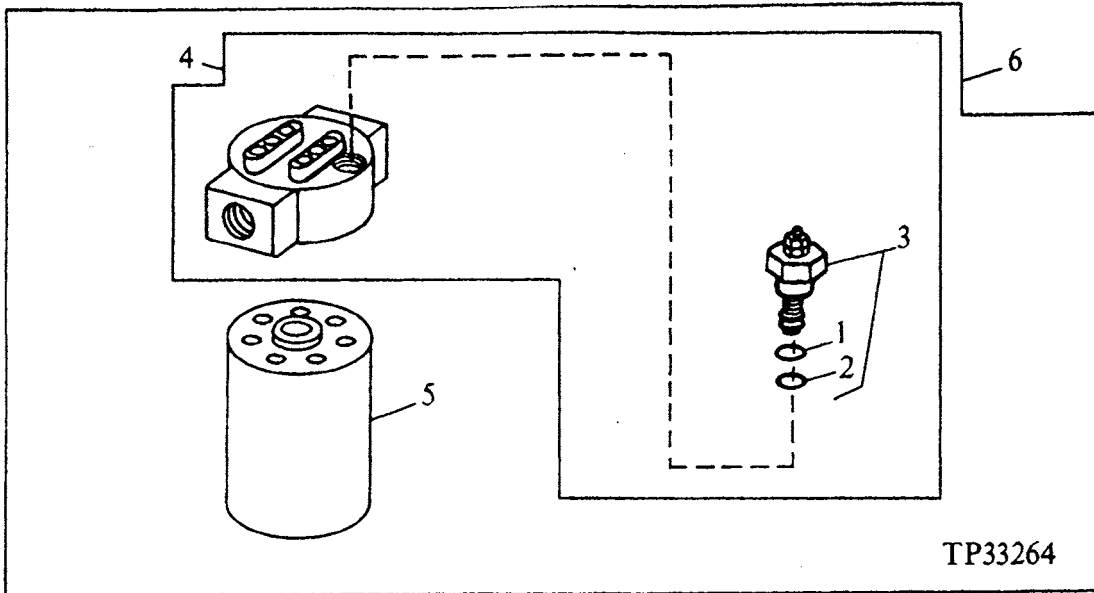
# 3D10

LOADER 31

HYDRAULIC SYSTEM 3160

## HYDRAULIC OIL FILTER

TP33264



KEY	PART NO.	PART NAME	QTY	SERIAL NO.	REMARKS
1	R26375	O-RING	1		
2	P46051	O-RING	1		
3	AT129419	KIT	1		
4	AT144994	FILTER HEAD	1		
5	AT140315	FILTER ELEMENT	1		
6	AT144882		1		

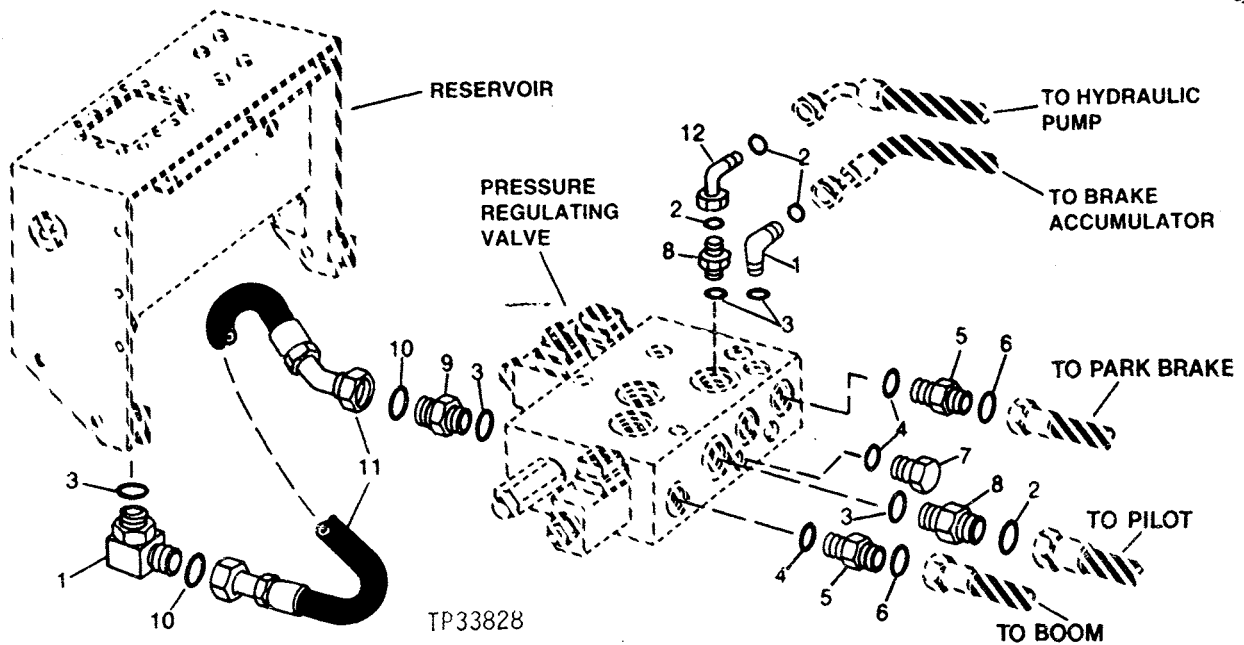
# 3D11

LOADER 31

HYDRAULIC SYSTEM 3160

## PRESSURE REDUCING VALVE MANIFOLD HOSES AND FITTINGS

TP33828



TP33828

KEY	PART NO.	PART NAME	QTY	SERIAL NO.	REMARKS
1	38H1004	ELBOW FITTING	2		(S) BRAKE PORT AND RETURN AT RESERVOIR
2	T77613	O-RING	5		
3	R26448	O-RING	6		
4	R28782	O-RING	3		
5	38H1159	ADAPTER	2		(PARK BRAKE AND BOOM PORTS)
6	T77814	O-RING	2		
7	R51031	FITTING	1		(DIFFERENTIAL PORT) (USE WITHOUT DIFFERENTIAL LOCK)
8	38H1160	ADAPTER	2		(PILOT PORT AND INLET PORT)
9	38H1309	ADAPTER	1		(DRAIN PORT)
10	T77613	O-RING	2		
11	AT102431	HYDRAULIC HOSE	1		11/16" X 450 MM (17-3/4") X 11/16"
12	38H1094	ELBOW FITTING	1		(INLET PORT)

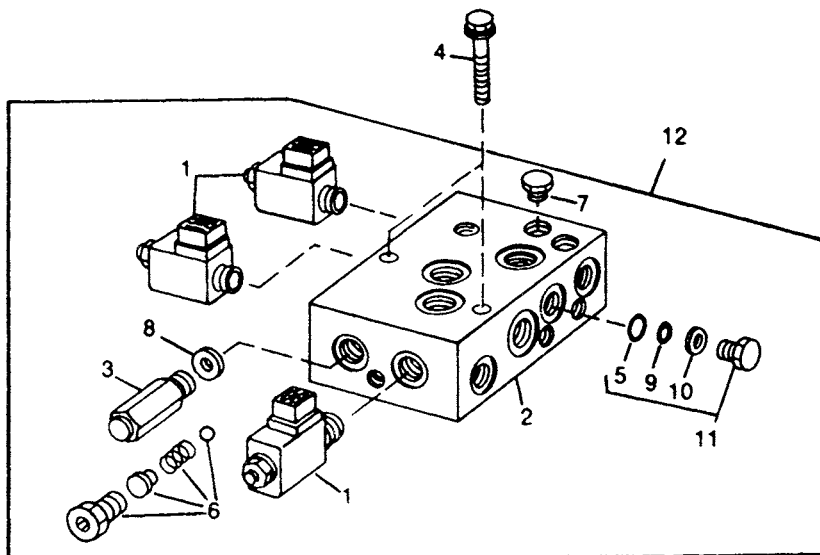
# 3D12

LOADER 31

HYDRAULIC SYSTEM 3160

## PRESSURE REDUCING VALVE MANIFOLD

TP33833



TP33833

KEY	PART NO.	PART NAME	QTY	SERIAL NO.	REMARKS
1	AT146997	RELIEF VALVE	3		
2	.....	HOUSING	1		(SUB AT149543)
3	AT159941	VALVE	1		PRESSURE REDUCING
4	19M8039	SCREW	2		M8 X 80
5	R42926	BACK-UP RING	1		
6	AT159938	KIT	1		
7	T145388	ORIFICE	1		
8	T145414	ORIFICE	1		
9	R28776	O-RING	1		
10	R47151	O-RING	1		
11	AT159939	VALVE	1		
12	AT149543	VALVE	1		

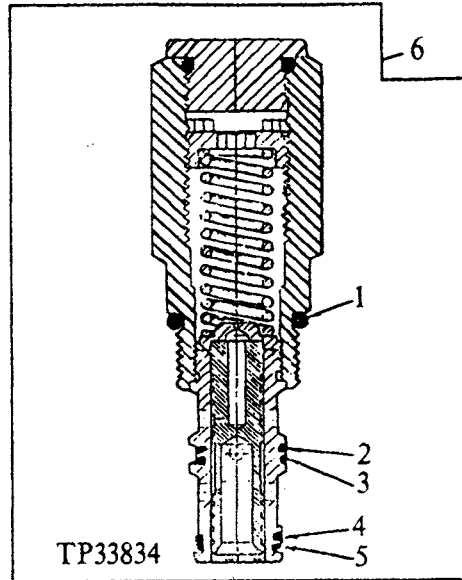
# 3D13

LOADER 31

HYDRAULIC SYSTEM 3160

## PRESSURE REDUCING VALVE

TP33834



KEY	PART NO.	PART NAME	QTY	SERIAL NO.	REMARKS
1	R47151	O-RING	1		
2	T81247	BACK-UP RING	1		
3	R33259	O-RING	1		
4	R28776	O-RING	2		
5	R42926	BACK-UP RING	2		
6	AT159941	VALVE	1		



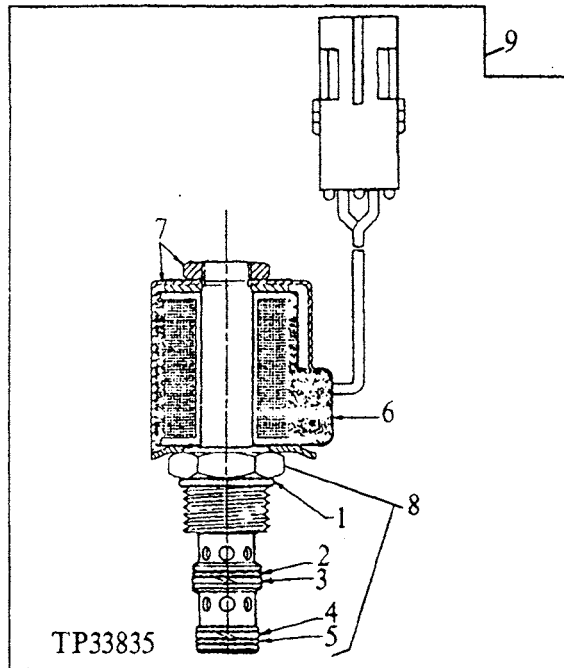
# 3D14

LOADER 31

HYDRAULIC SYSTEM 3160

## SOLENOID VALVE

TP33835



KEY	PART NO.	PART NAME	QTY	SERIAL NO.	REMARKS
1	R47151	O-RING	1		
2	R33259	O-RING	1		
3	T81247	BACK-UP RING	1		
4	R42926	BACK-UP RING	1		
5	R28776	O-RING	1		
6	AT147011	SOLENOID	1		
7	AT139434	KIT	1		
8	AT139432	VALVE	1		
9	AT146997	RELIEF VALVE	1		

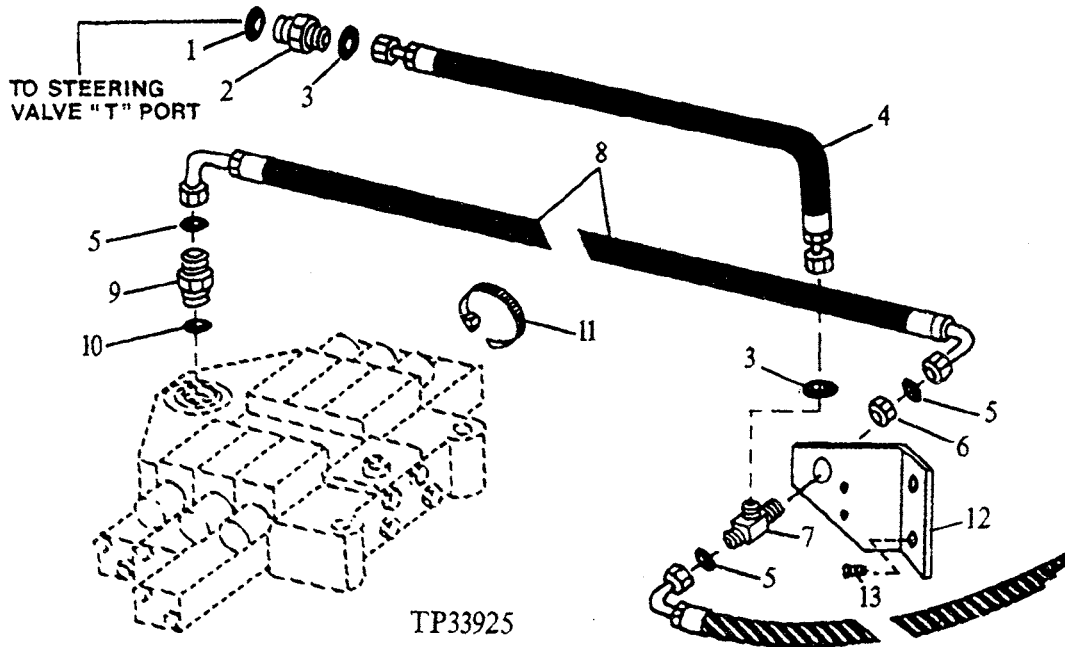
# 3D15

LOADER 31

HYDRAULIC SYSTEM 3160

## LOADER CONTROL VALVE AND STEERING VALVE HOSES

TP33925



KEY	PART NO.	PART NAME	QTY	SERIAL NO.	REMARKS
1	U12547	O-RING	1		
2	38H1163	ADAPTER	1		
3	T77858	O-RING	2		
4	AT102410	HYDRAULIC HOSE	1		1-3/16" X 1 080 MM (42-1/2") X 1-7/16"
5	T78612	O-RING	3		
	T77858	O-RING	3		
6	T78714	NUT	1		
	T78715	NUT	1		
7	T101820	TEE FITTING	1		
	AT80647	TEE FITTING	1		
8	AT102916	HYDRAULIC HOSE	1		
9	38H1165	ADAPTER	1		
10	U13639	O-RING	1		
11	N189220	TIE BAND	AR		
12	T127002	BRACKET	1		
13	19M7730	CAP SCREW	2		M20 X 30

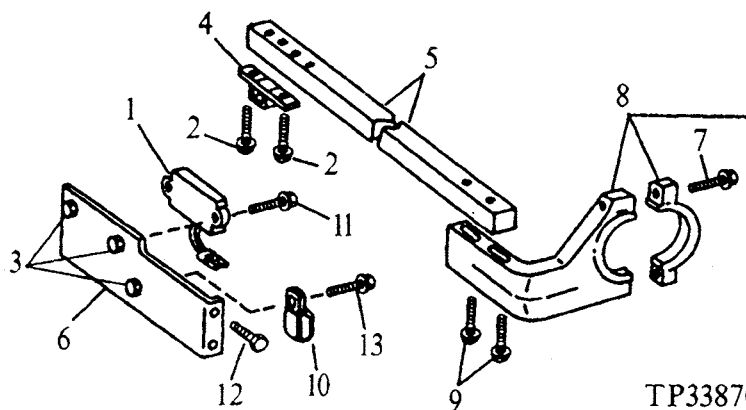
# 3D16

LOADER 31

HYDRAULIC SYSTEM 3160

## RETURN-TO-DIG BRACKET, SUPPORT AND SWITCH

TP33870



TP33870

KEY	PART NO.	PART NAME	QTY	SERIAL NO.	REMARKS
1	AT117248	SWITCH	1		
2	19M7784	SCREW	2		M10 X 20
3	14M7296	FLANGE NUT	3		M10
4	AT115667	ACTUATOR	1		
5	T123706	BAR	1		
6	T140705	BRACKET	1		
7	19M7818	SCREW	2		M12 X 80
8	AT159911	SUPPORT	1		
9	19M7813	SCREW	2		M12 X 45
10	AH97280	CLIP	1		
11	19M7805	SCREW	2		M10 X 45
12	19M7785	SCREW	2		M10 X 25
13	19M7785	SCREW	1		M10 X 25

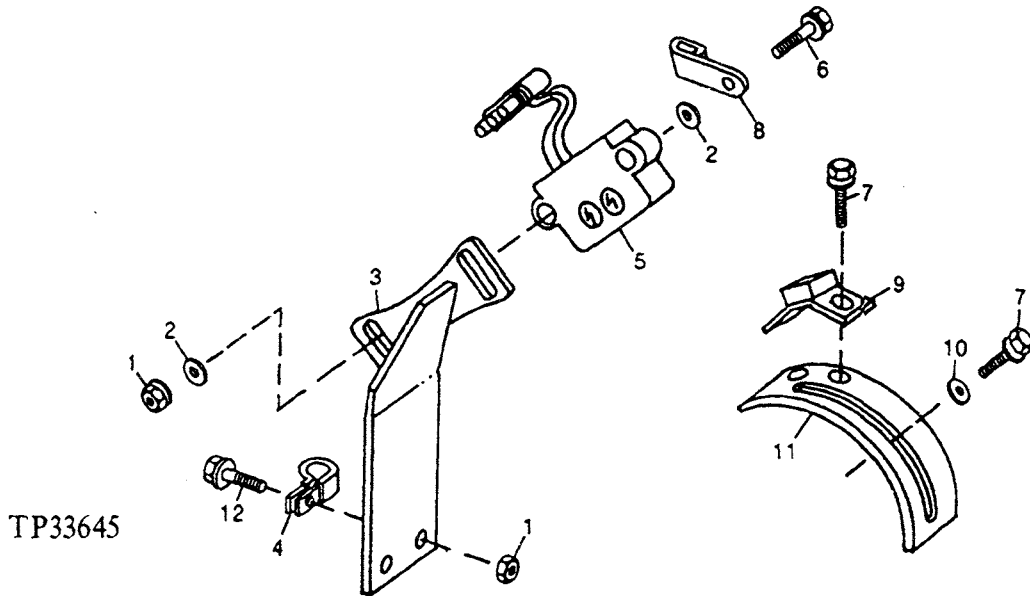
# 3D17

LOADER 31

HYDRAULIC SYSTEM 3160

## BOOM KICKOUT BRACKETS AND SWITCH

TP33645



KEY	PART NO.	PART NAME	QTY	SERIAL NO.	REMARKS
1	14M7296	FLANGE NUT	4		M10
2	24M7239	WASHER	4		10.700 X 21 X 2.500 MM
3	AT116073	BRACKET	1		
4	T75276	CLAMP	1		(FOR CLAMPING HARNESS)
5	AT117248	SWITCH	1		
6	19M7805	SCREW	2		M10 X 45
7	19M7865	SCREW	4		M8 X 16
8	AH97280	CLIP	1		(FOR CLAMPING HARNESS)
9	AT115667	ACTUATOR	1		
10	R56397	WASHER	2		
11	AT129578	BRACKET	1		
12	19M7835	SCREW	2		M10 X 35

# 3D18

LOADER 31

HYDRAULIC SYSTEM 3160

## THIRD FUNCTION AUXILIARY HYDRAULICS

KEY	PART NO.	PART NAME	QTY	SERIAL NO.	REMARKS
1	R29936	O-RING	2		
2	38H1164	ADAPTER	2		
3	T76938	O-RING	8		
4	AT117001	OIL LINE	1		LEFT
	AT142094	OIL LINE	1		TUBE, AUXILIARY, THIRD RIGHT, TANDEM VALVE
5	AT117002	OIL LINE	1		RIGHT
	AT142095	OIL LINE	1		TUBE, AUXILIARY, THIRD LEFT, TANDEM VALVE
6	AT116703	HYDRAULIC HOSE	2		1-7/16" X 1 321 MM (52") X 1-7/16"
7	AT117004	OIL LINE	1		
8	38H1419	FITTING PLUG	2		
9	T123721	CLAMP	2		
	T123721	CLAMP	1		
10	24M7239	WASHER	3		10.700 X 21 X 2.500 MM
11	19M7935	CAP SCREW	3		M10 X 55
12	AT151872	BRACKET	1		
13	19M7402	CAP SCREW	3		M10 X 25
14	AT116087	LEVER	1		THIRD FUNCTION TWO LEVER (INCLUDES AUXILIARY VALVE SECTION, HYDRAULIC HOSES, STUDS, LINES, BANDS, O-RINGS, CONTROLLER PLATE, ADAPTERS AND HARDWARE)
	<b>AT116036</b>	<b>LEVER</b>	<b>1</b>		<b>THIRD FUNCTION SINGLE LEVER (INCLUDES SINGLE AUXILIARY CONTROLLER, HYDRAULIC HOSES, VALVE, STUDS, BANDS, O-RINGS, MOUNTING PLATE, ADAPTERS AND HARDWARE)</b>
	AT158309	KIT	1		TANDEM, THIRD FUNCTION SINGLE LEVER (INCLUDES SINGLE AUXILIARY CONTROLLER, HYDRAULIC HOSES, VALVE, STUDS, BANDS, O-RINGS, MOUNTING PLATE, ADAPTERS AND HARDWARE)

# 3D19

LOADER 31

HYDRAULIC SYSTEM 3160

## HYDRAULIC PUMP HOSES AND FITTINGS

KEY	PART NO.	PART NAME	QTY	SERIAL NO.	REMARKS
1	AT102414	HYDRAULIC HOSE	1		11/16" X 749 MM (29-1/2") X 11/16"
2	T77814	O-RING	6		
3	38H1168	ADAPTER	2		
4	R26448	O-RING	3		
5	R29936	O-RING	2		
6	AT102415	HYDRAULIC HOSE	1		11/16" X 820 MM (32-1/4") X 11/16"
7	AT102549	HYDRAULIC HOSE	1		9/16" X 1 115 MM (44") X 9/16"
8	AT39141	CLAMP	AR		
9	T108328	HYDRAULIC HOSE	1		
10	AT103974	OIL LINE	1		
11	19H2898	CAP SCREW	4		1/2" X 1-1/4"
12	F1870R	O-RING	1		
13	AR21839	CLAMP	2		
14	AH75162	FITTING	1		
15	T103033	HOSE	1		.... X 166 MM (6-1/2") X ....
16	L32705	THREADED NIPPLE	1		
17	38H1023	TEE FITTING	1		
	38H1030	TEE FITTING	1		

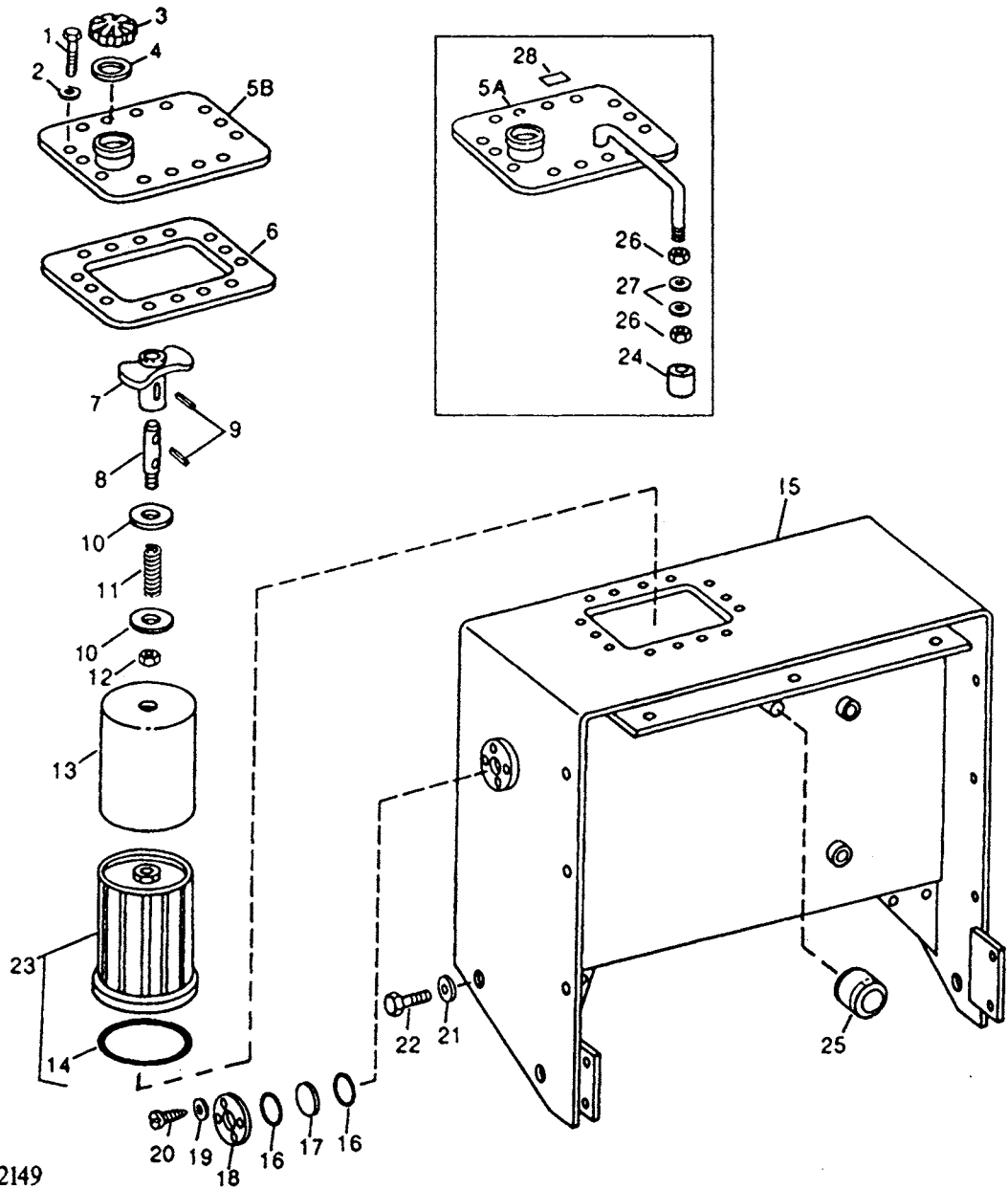
# 3D20

LOADER 31

HYDRAULIC SYSTEM 3160

## HYDRAULIC RESERVOIR

TP32149



TP32149

# 3D21

LOADER 31

HYDRAULIC SYSTEM 3160

## HYDRAULIC RESERVOIR

KEY	PART NO.	PART NAME	QTY	SERIAL NO.	REMARKS
1	19H2676	CAP SCREW	14		3/8" X 1"
2	24M7239	WASHER	14		10.700 X 21 X 2.500 MM
3	T121028	FILLER CAP	1		
4	T103461	GASKET	1		
5A	AT140399	COVER	1		
5B	AT116984	COVER	1		
6	T114729	GASKET	1		
7	U16794	LATCH	1		
8	T26994	STUD	1		
9	34H251	SPRING PIN	2		1/8" X 1"
10	24M7240	WASHER	2		13 X 25 X 3 MM
11	U12595	SPRING	1		
12	H32811	LOCK NUT	1		
13	T101730	CONTAINER	1		
14	F3450R	O-RING	1		
15	AT102993	HYDRAULIC RESERVOIR	1		
	AT133036	HYDRAULIC RESERVOIR	1		
16	U10289	O-RING	2		
17	U13425	WINDOWPANE	1		
18	U13551	WASHER	1		
19	12H295	LOCK WASHER	4		NO. 10
20	21H1300	SCREW	4		NO. 10 X 3/8"
21	24M7241	WASHER	4		17 X 34 X 4 MM
22	19M7369	CAP SCREW	4		M16 X 60
23	AT107006	FILTER	1		
24	AM39653	OIL FILTER	1		
25	AM39653	OIL FILTER	1		
26	14H1009	NUT	2		
27	24H1406	WASHER	2		
28	T101942	LABEL	1		



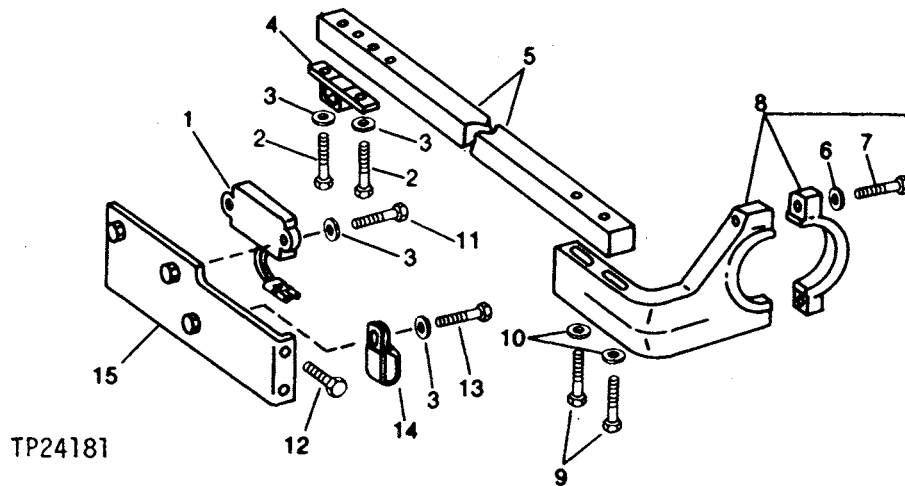
# 3D22

LOADER 31

HYDRAULIC SYSTEM 3160

## RETURN-TO-DIG BRACKET, SUPPORT AND SWITCH

TP24181



TP24181

KEY	PART NO.	PART NAME	QTY	SERIAL NO.	REMARKS
1	AT115666	SWITCH	1		
	AT117248	SWITCH	1		
2	19M7938	CAP SCREW	2		M10 X 20
3	24M7239	WASHER	5		10.700 X 21 X 2.500 MM
4	AT115667	ACTUATOR	1		
5	T123706	BAR	1		
	T123705	BAR	1		
6	24M7240	WASHER	2		13 X 25 X 3 MM
7	19M7364	CAP SCREW	2		M12 X 80
8	AT103941	BRACKET	1		
9	19M7361	CAP SCREW	2		M12 X 50
10	T29342	WASHER	2		
11	19M7572	CAP SCREW	2		M10 X 45
12	19M7402	CAP SCREW	2		M10 X 25
13	19M7402	CAP SCREW	1		M10 X 25
14	AH97280	CLIP	1		
15	T102904	BRACKET	1		
16	14M7274	NUT	5		M10

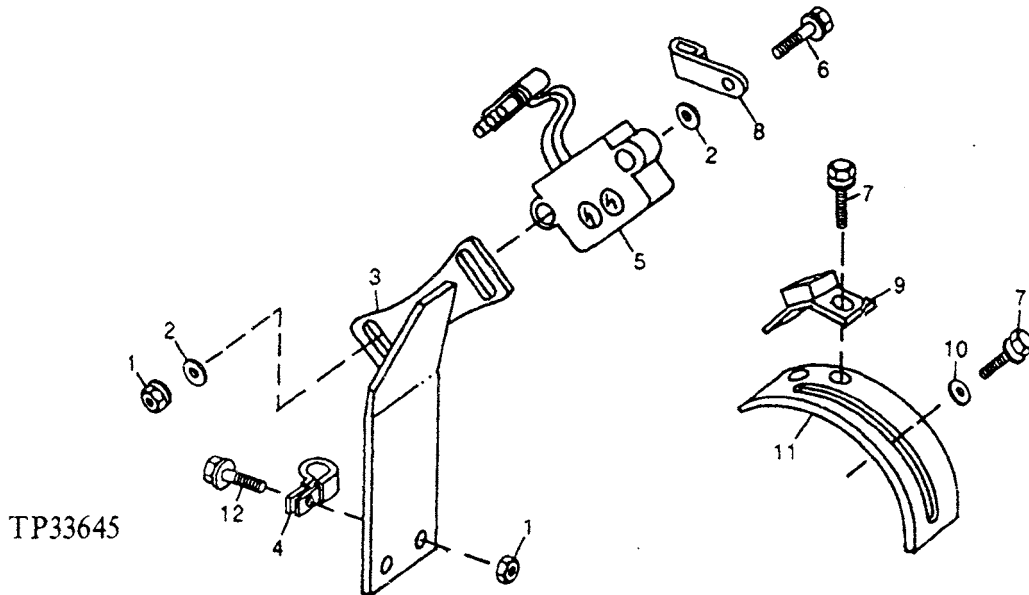
# 3D23

LOADER 31

HYDRAULIC SYSTEM 3160

## BOOM KICKOUT BRACKETS AND SWITCH

TP33645



KEY	PART NO.	PART NAME	QTY	SERIAL NO.	REMARKS
1	14M7296	FLANGE NUT	4		M10
2	24M7239	WASHER	4		10.700 X 21 X 2.500 MM
3	AT116073	BRACKET	1		
4	T75276	CLAMP	1		(FOR CLAMPING HARNESS)
5	AT117248	SWITCH	1		
6	19M7805	SCREW	2		M10 X 45
7	19M7865	SCREW	4		M8 X 16
8	AH97280	CLIP	1		(FOR CLAMPING HARNESS)
9	AT115667	ACTUATOR	1		
10	R56397	WASHER	2		
11	AT129578	BRACKET	1		
12	19M7835	SCREW	2		M10 X 35

**MEMORANDA**

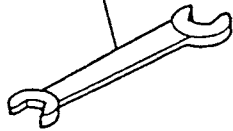
---

**MEMORANDA**

---

TOOLS

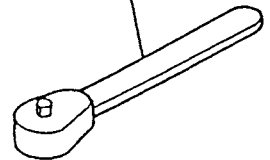
00~09, 56



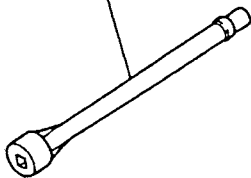
11~22, 50~55



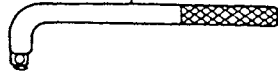
25



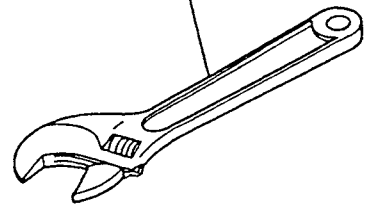
26, 29



28



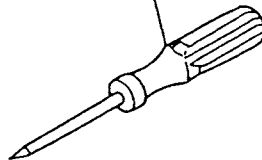
31



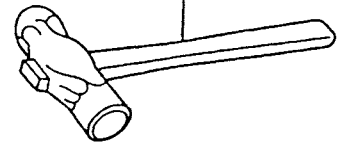
33



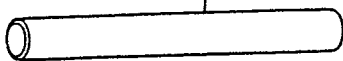
34, 35



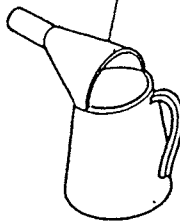
36



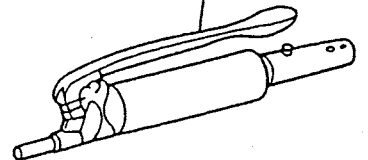
37



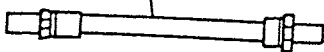
39



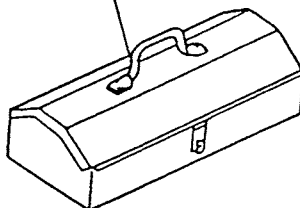
40



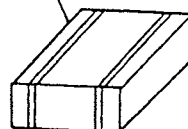
41



43



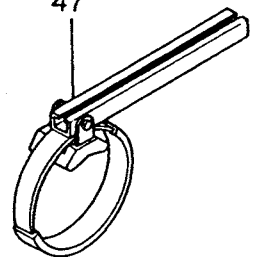
45



55



47



**TOOLS**

KEY	PART NO.	PART NAME	QTY	SERIAL NO	REMARKS
00	4101190	SPANNER	1		7 x 8
01	973194	SPANNER	1		10 x 13
02	D99057	SPANNER	1		19 x 12
03	973195	SPANNER	1		22 x 24
04	989860	SPANNER	1		30 x 32
06	4231524	SPANNER	1		3/8 x 7/16
07	4231525	SPANNER	1		1/2 x 9/16
08	4132526	SPANNER	1		9/16 x 5/8
09	4132527	SPANNER	1		19/32 x 11/16
11	4059865	WRENCH; SOCKET	1		10
12	D912627	WRENCH; SOCKET	1		13
13	4243342	WRENCH; SOCKET	1		15
14	4243343	WRENCH; SOCKET	1		16
15	D99055	WRENCH; SOCKET	1		17
16	4243344	WRENCH; SOCKET	1		18
17	D99056	WRENCH; SOCKET	1		19
18	D99061	WRENCH; SOCKET	1		21
19	989848	WRENCH; SOCKET	1		22
20	989849	WRENCH; SOCKET	1		24
21	D99059	WRENCH; SOCKET	1		29
22	989852	SOCKET	1		30
25	985706	HANDLE; RATCHET	1		
26	4047657	BAR; EXTENSION	1		
28	D99058	HANDLE; OFFSET	1		
29	939624	BAR; EXTENSION	1		
31	949489	WRENCH; ADJUST	1		
33	949490	PRYER	1		
34	949488	SCREW; DRIVER	1		
35	958424	SCREW; DRIVER	1		
36	4922685	HAMMER	1		
37	4202312	PIPE	1		
39	924327	JOG; OIL	1		
40	4131548	GUN; GREASE	1		
41	934569	HOSE; GUN GREASE	1		
43	934787	BOX; TOOL	1		
45	4141495	BOX	1		
47	4295965	WRENCH	1		
50	4231530	WRENCH; SOCKET	1		1/2
51	4231531	WRENCH; SOCKET	1		9/16
52	4231534	WRENCH; SOCKET	1		11/16
54	989853	WRENCH; SOCKET	1		36
55	4231538	WRENCH; SOCKET	1		1-1/8
56	934574	SPANNER	1		41

---

**MEMORANDA**

---

# 1L06

LX150 LOADER

## NUMERICAL INDEX

PART NO.	GRID	KEY	PAGE	PART NO.	GRID	KEY	PAGE	PART NO.	GRID	KEY	PAGE
AA21292	2F16	3	1740 - 2	AR55946	1117	18	0422 - 8	AR94169	1B23	6	0210 - 15
AD2062R	2C9	4	1673 - 2	AR55947	1116	17	0422 - 7	AR98286	1G23	5	0413 - 7
AD2062R	2C12	1	1673 - 5	AR58147	2I24	32	1830 - 15	AR98329	1G7	2	0407 - 9
AH121234	2F13	1	1676 - 4	AR58287	2J1	3	1830 - 17	AR98329	1G7	3	0407 - 9
AH122867	2I24	9	1830 - 15	AR61533	1F17	28	0404 - 3	AR98850	1F14	9	0403 - 1
AH137210	3C16	..	3160 - 33	AR61533	1F23	25	0404 - 9	AR98850	1J4	37	0452 - 3
AH137211	3C14	..	3160 - 31	AR61589	1F17	26	0404 - 3	AT102171	1B2	1	0110 - 1
AH138291	2C6	11	1672 - 2	AR61589	1F23	23	0404 - 9	AT102326	1D13	6	0342 - 3
AH139265	3C16	22	3160 - 33	AR62399	1J8	2	0505 - 4	AT102410	3D15	4	3160 - 59
AH139266	3C14	28	3160 - 31	AR62399	1J8	3	0505 - 4	AT102413	3C10	7	3160 - 27
AH139463	3C16	16	3160 - 33	AR62399	1J8	7	0505 - 4	AT102413	3C12	23	3160 - 29
AH139464	3C14	17	3160 - 31	AR62492	1J8	8	0505 - 4	AT102414	3D19	1	3160 - 63
AH139474	3C16	2	3160 - 33	AR65005	2E18	1	1674 - 56	AT102415	3D19	6	3160 - 63
AH21762	2I20	22	1830 - 11	AR65005	2F7	1	1674 - 72	AT102417	1K24	20	1060 - 5
AH21763	2J1	1	1830 - 17	AR65006	2E18	2	1674 - 56	AT102417	1K24	24	1060 - 5
AH75114	3B8	21	3140 - 3	AR65006	2F7	2	1674 - 72	AT102421	1K24	18	1060 - 5
AH75162	3D19	14	3160 - 63	AR66778	1116	19	0422 - 7	AT102427	1D2	27	0260 - 3
AH76556	1D7	9	0315 - 3	AR67827	1116	9	0422 - 7	AT102427	1L3	4	1115 - 3
AH76556	1D9	10	0315 - 5	AR68430	1116	14	0422 - 7	AT102427	3C10	11	3160 - 27
AH77714	2C23	17	1674 - 9	AR69158	1H4	19	0413 - 13	AT102429	3C10	9	3160 - 27
AH77714	2D9	10	1674 - 21	AR70168	1J2	4	0433 - 1	AT102429	3C12	16	3160 - 29
AH80916	1H15	16	0416 - 3	AR71850	1F17	14	0404 - 3	AT102429	3C12	24	3160 - 29
AH97280	3D16	10	3160 - 60	AR72337	1J16	1	0520 - 4	AT102430	3C10	8	3160 - 27
AH97280	3D17	8	3160 - 61	AR73277	1F14	7	0403 - 1	AT102430	3C12	17	3160 - 29
AH97280	3D22	14	3160 - 66	AR73278	1F14	7	0403 - 1	AT102430	3C12	25	3160 - 29
AH97280	3D23	8	3160 - 67	AR73279	1F14	7	0403 - 1	AT102431	3D11	11	3160 - 55
AL25651	1H19	13	0417 - 3	AR73280	1F14	7	0403 - 1	AT102435	3C20	8	3160 - 37
AL36529	2I13	5	1830 - 4	AR73281	1F14	7	0403 - 1	AT102436	1E24	14	0360 - 3
AM103337	2G22	16	1810 - 19	AR73857	1I9	13	0421 - 1	AT102438	1E24	18	0360 - 3
AM116170	1J21	6	0560 - 3	AR74814	1F9	3	0401 - 2	AT102464	2C20	1	1674 - 5
AM39653	3D6	10	3160 - 49	AR74815	1F9	3	0401 - 2	AT102464	2E8	6	1674 - 45
AM39653	3D21	24	3160 - 65	AR74816	1F9	3	0401 - 2	AT102464	2E22	1	1674 - 62
AM39653	3D21	25	3160 - 65	AR74817	1F9	3	0401 - 2	AT102542	1K13	16	0960 - 11
AP22660	2D5	1	1674 - 17	AR74818	1F9	3	0401 - 2	AT102547	1K6	24	0960 - 3
AP22660	2E21	1	1674 - 60	AR77114	1H4	6	0413 - 13	AT102549	3D19	7	3160 - 63
AR100124	1F13	2	0402 - 4	AR77747	1F9	1	0401 - 2	AT102553	1K24	31	1060 - 5
AR101278	1G7	2	0407 - 9	AR77748	1F9	2	0401 - 2	AT102553	3C10	21	3160 - 27
AR102763	1111	6	0422 - 1	AR77749	1F9	2	0401 - 2	AT102553	3C12	14	3160 - 29
AR104650	1G21	22	0413 - 5	AR77750	1F9	2	0401 - 2	AT102677	2I6	3	1822 - 1
AR104650	1G21	31	0413 - 5	AR77751	1F9	2	0401 - 2	AT102751	3B8	10	3140 - 3
AR104674	1I9	7	0421 - 1	AR77752	1F9	2	0401 - 2	AT102751	3B10	14	3140 - 5
AR104674	1I9	16	0421 - 1	AR77753	1F9	1	0401 - 2	AT102752	3B6	7	3102 - 3
AR104674	1I10	9	0421 - 2	AR80652	1J13	5	0520 - 1	AT102752	3B10	7	3140 - 5
AR105510	1G7	7	0407 - 9	AR80652	2B21	1	1399 - 1	AT102827	3B9	10	3140 - 4
AR21836	1J21	3	0560 - 3	AR80653	1J13	2	0520 - 1	AT102828	3B9	7	3140 - 4
AR21837	2I14	3	1830 - 5	AR80653	2B21	2	1399 - 1	AT102866	3C10	20	3160 - 27
AR21837	2I24	20	1830 - 15	AR81825	1H2	1	0413 - 11	AT102897	2F23	1	1749 - 4
AR21839	1J21	5	0560 - 3	AR81847	1G23	6	0413 - 7	AT102902	1K13	12	0960 - 11
AR21839	3D19	13	3160 - 63	AR83396	2F21	3	1749 - 2	AT102909	1K24	11	1060 - 5
AR21969	2B9	..	1369 - 1	AR83396	2F22	3	1749 - 3	AT102910	1K24	13	1060 - 5
AR21969	2B17	..	1369 - 9	AR84565	1J13	8	0520 - 1	AT102915	3D9	16	3160 - 53
AR21999	1J11	7	0510 - 3	AR85519	1G21	20	0413 - 5	AT102916	3D15	8	3160 - 59
AR21999	2I12	16	1830 - 3	AR85519	1G21	33	0413 - 5				
AR21999	2I18	19	1830 - 9	AR89339	1H6	17	0413 - 15				
AR26746	1H7	11	0413 - 16	AR89576	1H6	35	0413 - 15				
AR31790	1F13	..	0402 - 4	AR89792	1H6	12	0413 - 15				
AR40418	1J11	7	0510 - 3	AR90070	1I17	21	0422 - 8				
AR43704	1J17	4	0530 - 1	AR91012	1H7	9	0413 - 16				
AR48041	2C11	1	1673 - 4	AR91012	1H7	10	0413 - 16				
AR48675	1H24	8	0418 - 3	AR91793	2E15	42	1674 - 53				
AR49025	1F11	1	0402 - 2	AR91793	2F4	42	1674 - 69				
AR50411	1J8	1	0505 - 4	AR91896	2G17	7	1810 - 14				
AR52065	1J13	6	0520 - 1	AR91896	2G22	10	1810 - 19				
AR52066	1J13	3	0520 - 1	AR92437	1B23	1	0210 - 15				
AR54990	1116	4	0422 - 7	AR93341	1F14	6	0403 - 1				
AR54992	1116	7	0422 - 7	AR93518	1H21	6	0417 - 5				
AR54997	1114	4	0422 - 5	AR94101	2D13	4	1674 - 25				



# 1L07

LX150 LOADER

## NUMERICAL INDEX - CONTINUED

PART NO.	GRID	KEY	PAGE	PART NO.	GRID	KEY	PAGE	PART NO.	GRID	KEY	PAGE
AT102917	1K13	17	0960 - 11	AT103973	1K13	25	0960 - 11	AT116373	1K3	15	0930 - 3
AT102934	1D13	3	0342 - 3	AT103974	3D19	10	3160 - 63	AT116703	3D18	6	3160 - 62
AT102993	3D21	15	3160 - 65	AT103984	3D2	2	3160 - 45	AT116818	3D2	11	3160 - 45
AT102996	2J10	1	1910 - 2	AT103984	3D2	31	3160 - 45	AT116818	3D2	12	3160 - 45
AT103031	2E2	1	1674 - 39	AT104021	1J11	17	0510 - 3	AT116818	3D2	13	3160 - 45
AT103042	2D15	11	1674 - 27	AT104021	1J11	18	0510 - 3	AT116818	3D2	16	3160 - 45
AT103049	3B8	17	3140 - 3	AT104036	3C25	..	3160 - 43	AT116819	3D2	8	3160 - 45
AT103077	3B8	14	3140 - 3	AT104037	3C25	..	3160 - 43	AT116820	3D2	25	3160 - 45
AT103088	3C20	14	3160 - 37	AT104041	3C6	..	3160 - 23	AT116910	3D2	6	3160 - 45
AT103088	3C22	6	3160 - 39	AT104041	3C8	..	3160 - 25	AT116962	2I20	19	1830 - 11
AT103090	3C18	12	3160 - 35	AT104049	3C1	7	3160 - 18	AT116970	2G8	1	1810 - 5
AT103105	2C10	2	1673 - 3	AT104049	3C1	8	3160 - 18	AT116972	2G17	1	1810 - 14
AT103107	3C14	24	3160 - 31	AT104049	3C1	9	3160 - 18	AT116973	2G5	9	1810 - 2
AT103166	3C20	26	3160 - 37	AT104049	3C1	10	3160 - 18	AT116974	2H9	17	1810 - 33
AT103249	2F19	4	1746 - 2	AT104050	3C2	8	3160 - 19	AT116984	3D6	5	3160 - 49
AT103250	2C9	4	1673 - 2	AT104050	3C2	9	3160 - 19	AT116984	3D21	5B	3160 - 65
AT103261	1E24	8	0360 - 3	AT104050	3C2	10	3160 - 19	AT117001	3D18	4	3160 - 62
AT103289	1H10	3	0413 - 20	AT104050	3C2	11	3160 - 19	AT117002	3D18	5	3160 - 62
AT103289	1H10	4	0413 - 20	AT104051	3B16	7	3160 - 7	AT117004	3D18	7	3160 - 62
AT103311	1K3	30	0930 - 3	AT104051	3B18	7	3160 - 9	AT117018	1D9	12	0315 - 5
AT103311	2D17	1	1674 - 29	AT104088	3B22	3	3160 - 13	AT117021	1F3	6	0374 - 2
AT103326	2B2	8	1314 - 1	AT104088	3B22	4	3160 - 13	AT117022	1F3	8	0374 - 2
AT103354	1C12	4	0210 - 29	AT104088	3B22	7	3160 - 13	AT117026	3C12	1	3160 - 29
AT103355	2B20	3	1370 - 1	AT104088	3B22	..	3160 - 13	AT117043	2G24	24	1810 - 21
AT103360	2B20	2	1370 - 1	AT106413	1J11	16	0510 - 3	AT117044	2G18	2	1810 - 15
AT103378	3C12	10	3160 - 29	AT106413	2G8	9	1810 - 5	AT117059	2G22	6	1810 - 19
AT103378	3C12	26	3160 - 29	AT107006	3D21	23	3160 - 65	AT117059	2G25	7	1810 - 22
AT103379	3C12	8	3160 - 29	AT107509	1G15	11	0409 - 3	AT117061	2G25	6	1810 - 22
AT103395	3D8	2	3160 - 52	AT107738	1J19	3	0540 - 3	AT117063	2H14	1	1810 - 39
AT103435	3B14	5	3160 - 5	AT108306	1D24	4	0350 - 13	AT117064	2G22	8	1810 - 19
AT103435	3B14	6	3160 - 5	AT108306	1D24	8	0350 - 13	AT117065	2G25	1	1810 - 22
AT103435	3B14	..	3160 - 5	AT108306	1D24	9	0350 - 13	AT117089	2G5	10	1810 - 2
AT103440	3B18	3	3160 - 9	AT108319	1D24	1	0350 - 13	AT117089	2I25	2	1830 - 16
AT103440	3B18	..	3160 - 9	AT108324	1D20	28	0350 - 9	AT117116	2I24	26	1830 - 15
AT103443	3B12	4	3160 - 3	AT112370	1K16	6	0960 - 15	AT117118	1K13	22	0960 - 11
AT103443	3B12	11	3160 - 3	AT113412	2C4	15	1671 - 1	AT117118	3C10	19	3160 - 27
AT103454	2J13	10	1921 - 1	AT113412	2C5	19	1671 - 2	AT117119	2C5	10	1671 - 2
AT103456	3B12	4	3160 - 3	AT113985	2G24	14	1810 - 21	AT117120	2C4	5	1671 - 1
AT103456	3B12	11	3160 - 3	AT115596	2H7	19	1810 - 31	AT117121	2C4	12	1671 - 1
AT103491	1E24	7	0360 - 3	AT115596	2H9	19	1810 - 33	AT117121	2C5	13	1671 - 2
AT103553	1G16	6	0410 - 2	AT115666	3D22	1	3160 - 66	AT117122	2C4	8	1671 - 1
AT103559	1B5	4	0110 - 4	AT115667	3D16	4	3160 - 60	AT117143	2I4	13	1821 - 15
AT103577	2G8	5	1810 - 5	AT115667	3D17	9	3160 - 61	AT117197	2H7	14	1810 - 31
AT103585	3B10	13	3140 - 5	AT115667	3D22	4	3160 - 66	AT117197	2H7	15	1810 - 31
AT103624	1K16	2	0960 - 15	AT115667	3D23	9	3160 - 67	AT117197	2H7	21	1810 - 31
AT103629	2B21	9	1399 - 1	AT115675	3B6	24	3102 - 3	AT117197	2H9	14	1810 - 33
AT103629	2I10	10	1830 - 1	AT115771	2D15	7	1674 - 27	AT117197	2H9	15	1810 - 33
AT103644	1K3	6	0930 - 3	AT115875	2J10	6	1910 - 2	AT117197	2H9	21	1810 - 33
AT103645	1K3	17	0930 - 3	AT115876	3C6	..	3160 - 23	AT117237	2I20	..	1830 - 11
AT103646	1K3	29	0930 - 3	AT115876	3C8	..	3160 - 25	AT117248	3D16	1	3160 - 60
AT103714	1J12	2	0515 - 2	AT115904	3B6	27	3102 - 3	AT117248	3D17	5	3160 - 61
AT103716	1K16	19	0960 - 15	AT115918	1D10	2	0325 - 1	AT117248	3D22	1	3160 - 66
AT103785	2J16	1	1927 - 3	AT115977	3B6	5	3102 - 3	AT117248	3D23	5	3160 - 67
AT103786	2J15	1	1927 - 2	AT116010	1E24	2	0360 - 3	AT117252	2H7	17	1810 - 31
AT103912	2H9	24	1810 - 33	AT116025	3B6	28	3102 - 3	AT117253	2H7	12	1810 - 31
AT103919	2J19	11	2002 - 2	AT116032	2B6	6	1320 - 4	AT117254	2H9	12	1810 - 33
AT103925	1K6	10	0960 - 3	AT116036	3D18	14	3160 - 62	AT117264	1K3	33	0930 - 3
AT103925	1K6	11	0960 - 3	AT116046	3D8	7	3160 - 52	AT117264	1K3	34	0930 - 3
AT103925	1K6	13	0960 - 3	AT116051	1E23	5	0360 - 1	AT117265	1K3	14	0930 - 3
AT103925	1K6	14	0960 - 3	AT116073	3D17	3	3160 - 61	AT117266	1K3	16	0930 - 3
AT103925	1K6	15	0960 - 3	AT116073	3D23	3	3160 - 67	AT117310	2G24	13	1810 - 21
AT103925	1K6	16	0960 - 3	AT116087	3D18	14	3160 - 62	AT121876	1L3	14	1115 - 3
AT103925	1K6	17	0960 - 3	AT116091	1K13	17	0960 - 11	AT125596	2I20	32	1830 - 11
AT103925	1K6	18	0960 - 3	AT116126	2E4	6	1674 - 41	AT12820	1B12	11	0210 - 3
AT103925	1K6	19	0960 - 3	AT116162	1K16	28	0960 - 15	AT129419	3D9	18	3160 - 53
AT103925	1K6	20	0960 - 3	AT116162	2C10	4	1673 - 3	AT129419	3D10	3	3160 - 54
AT103941	3D22	8	3160 - 66	AT116162	2I20	26	1830 - 11				

# 1L08

LX150 LOADER

## NUMERICAL INDEX - CONTINUED

PART NO.	GRID	KEY	PAGE	PART NO.	GRID	KEY	PAGE	PART NO.	GRID	KEY	PAGE
AT129503	3B8	6	3140 -3	AT141872	2J10	10	1910 -2	AT149544	3B12	12	3160 -3
AT129526	1E24	6	0360 -3	AT141941	2H7	34	1810 -31	AT149545	3B12	12	3160 -3
AT129526	1F2	2	0360 -5	AT141942	2H9	33	1810 -33	AT149546	3C8	23	3160 -25
AT129526	1F2	5	0360 -5	AT141942	2H9	34	1810 -33	AT149546	3C8	30	3160 -25
AT129526	1F2	7	0360 -5	AT141987	2H9	26	1810 -33	AT149546	3C8	42	3160 -25
AT129526	1F2	11	0360 -5	AT141988	2H7	26	1810 -31	AT149608	2J19	12	2002 -2
AT129540	1F2	10	0360 -5	AT142060	3C20	4	3160 -37	AT149614	3C1	11	3160 -18
AT129545	1B4	5	0110 -3	AT142061	3C20	5	3160 -37	AT149615	3C2	12	3160 -19
AT129554	1H10	1	0413 -20	AT142094	3D18	4	3160 -62	AT149650	2I9	1	1822 -4
AT129554	1H10	3	0413 -20	AT142095	3D18	5	3160 -62	AT149818	1C12	17	0210 -29
AT129554	1H10	4	0413 -20	AT142308	3C20	7	3160 -37	AT149823	3B9	6	3140 -4
AT129578	3D17	11	3160 -61	AT142309	3C20	9	3160 -37	AT149861	3B6	26	3102 -3
AT129578	3D23	11	3160 -67	AT143187	1B3	8	0110 -2	AT149863	3B6	26	3102 -3
AT130104	2C8	5	1673 -1	AT143311	1L3	10	1115 -3	AT149885	2C23	21	1674 -9
AT130104	2C15	2	1673 -8	AT143577	2F17	3	1740 -3	AT149887	2E8	3	1674 -45
AT130208	2B13	..	1369 -5	AT144882	3D9	20	3160 -53	AT149888	2E6	3	1674 -43
AT132773	2C4	13	1671 -1	AT144882	3D10	6	3160 -54	AT149891	2C23	21	1674 -9
AT132773	2C5	16	1671 -2	AT144994	3D9	19	3160 -53	AT149892	2D19	2	1674 -31
AT133036	3D21	15	3160 -65	AT144994	3D10	4	3160 -54	AT149892	2E24	1	1674 -64
AT133046	2H7	30	1810 -31	AT145598	2I12	3	1830 -3	AT149893	2D23	1	1674 -35
AT133117	1J21	8	0560 -3	AT145931	2C24	2	1674 -10	AT149893	2I16	1	1830 -7
AT133211	1B6	5	0110 -5	AT145931	2D9	2	1674 -21	AT149945	3C23	5	3160 -40
AT133379	1K24	39	1060 -5	AT146623	2G19	1	1810 -16	AT149945	3C25	5	3160 -43
AT134886	3D9	3	3160 -53	AT146642	2G6	1	1810 -3	AT149952	2F16	9	1740 -2
AT134895	2H7	29	1810 -31	AT146644	2J7	10	1830 -23	AT149965	2D25	1	1674 -37
AT134931	3C10	22	3160 -27	AT146649	2G17	3	1810 -14	AT150000	2G10	5	1810 -7
AT135486	2C8	2	1673 -1	AT146660	2I24	22	1830 -15	AT150024	1K24	21	1060 -5
AT135486	2C8	4	1673 -1	AT146663	2G22	4	1810 -19	AT150025	1K24	19	1060 -5
AT135486	2C8	6	1673 -1	AT146685	2G10	3	1810 -7	AT150110	2F21	7	1749 -2
AT135486	2C8	9	1673 -1	AT146688	2G18	5	1810 -15	AT150110	2F22	7	1749 -3
AT135528	1L3	15	1115 -3	AT146694	2G5	2	1810 -2	AT150112	1K22	1	1060 -3
AT135528	1L4	6	1115 -4	AT146694	2I20	2	1830 -11	AT150112	1K22	2	1060 -3
AT135542	2D19	1	1674 -31	AT146696	2G22	2	1810 -19	AT150112	1K22	3	1060 -3
AT135542	2E24	2	1674 -64	AT146698	2G5	3	1810 -2	AT150112	1K22	4	1060 -3
AT135643	2J19	1	2002 -2	AT146704	2I20	6	1830 -11	AT150205	2J13	1	1921 -1
AT135712	2H7	32	1810 -31	AT146707	2H12	6	1810 -36	AT150228	2C14	1	1673 -7
AT135738	3C20	6	3160 -37	AT146712	2G24	19	1810 -21	AT150261	2D15	1	1674 -27
AT135978	2I2	4	1821 -13	AT146734	2C23	4	1674 -9	AT150269	2H7	35	1810 -31
AT135978	2I4	4	1821 -15	AT146736	2I5	1	1821 -16	AT150343	2C23	1	1674 -9
AT135979	2I4	3	1821 -15	AT146997	3D12	1	3160 -56	AT150345	2C16	1	1674 -1
AT135980	2I4	5	1821 -15	AT146997	3D14	9	3160 -58	AT150346	2C17	1	1674 -2
AT135981	2I4	8	1821 -15	AT147001	3C4	1	3160 -21	AT150347	2C19	1	1674 -4
AT135982	2I4	6	1821 -15	AT147001	3C8	1	3160 -25	AT150348	2C23	3	1674 -9
AT135983	2I4	10	1821 -15	AT147011	3D14	6	3160 -58	AT150468	1J11	26	0510 -3
AT135985	2I4	7	1821 -15	AT147017	2B21	7	1399 -1	AT150469	1J11	9	0510 -3
AT13740	1F17	1	0404 -3	AT147017	3D6	7	3160 -49	AT150612	3B8	6	3140 -3
AT13740	1F23	1	0404 -9	AT147023	2I24	30	1830 -15	AT150615	1K24	38	1060 -5
AT137539	3C20	10	3160 -37	AT147100	2I12	2	1830 -3	AT150616	3D4	1	3160 -47
AT139432	3D14	8	3160 -58	AT147167	1E22	1	0350 -35	AT150633	2F16	4	1740 -2
AT139434	3D14	7	3160 -58	AT147893	1K24	37	1060 -5	AT150667	3C10	24	3160 -27
AT139444	3C23	1	3160 -40	AT148303	2G24	9	1810 -21	AT150673	2J13	7	1921 -1
AT139694	1K16	11	0960 -15	AT149370	2I10	7	1830 -1	AT150683	3C10	1	3160 -27
AT140030	1E21	1	0350 -34	AT149417	2F16	10	1740 -2	AT150684	3C10	1	3160 -27
AT140030	2B21	5	1399 -1	AT149437	3B10	6	3140 -5	AT150685	3C10	1	3160 -27
AT140201	1E12	6	0350 -25	AT149468	2J14	1	1927 -1	AT150765	1D3	3	0260 -4
AT140315	2B21	6	1399 -1	AT149469	2J14	1	1927 -1	AT150780	1J21	13	0560 -3
AT140315	3D9	12	3160 -53	AT149470	2J15	3	1927 -2	AT150781	3C20	12	3160 -37
AT140315	3D10	5	3160 -54	AT149471	2J16	3	1927 -3	AT150782	3C20	13	3160 -37
AT140358	1B4	3	0110 -3	AT149480	3B8	7	3140 -3	AT150785	3C18	17	3160 -35
AT140358	1B4	12	0110 -3	AT149515	2I8	1	1822 -3	AT150786	3C18	16	3160 -35
AT140399	3D21	5A	3160 -65	AT149536	1K8	4	0960 -5	AT150787	3C22	4	3160 -39
AT141357	2E11	2	1674 -48	AT149536	1K8	7	0960 -5	AT150788	3C22	5	3160 -39
AT141527	1K3	22	0930 -3	AT149536	1K8	8	0960 -5	AT150789	3C22	7	3160 -39
AT141575	1J15	2	0520 -3	AT149536	1K8	26	0960 -5	AT150792	2J13	2	1921 -1
AT141696	2H7	33	1810 -31	AT149541	3B4	6	3102 -1	AT150856	1C14	10	0225 -3
AT141696	2H9	32	1810 -33	AT149543	3D12	2	3160 -56	AT150856	1C16	10	0225 -5
AT141844	2J10	10	1910 -2	AT149543	3D12	12	3160 -56				

# 1L09

LX150 LOADER

## NUMERICAL INDEX - CONTINUED

PART NO.	GRID	KEY	PAGE	PART NO.	GRID	KEY	PAGE	PART NO.	GRID	KEY	PAGE
AT150913	2I18	15	1830 - 9	AT157331	2I20	11	1830 - 11	AT159952	3C6	25	3160 - 23
AT150914	2I18	3	1830 - 9	AT157368	2H9	29	1810 - 33	AT159952	3C6	37	3160 - 23
AT151001	1J12	7	0515 - 2	AT157439	2I20	18	1830 - 11	AT159953	3C1	2	3160 - 18
AT151027	3C12	1	3160 - 29	AT157461	1K6	3	0960 - 3	AT159953	3C2	2	3160 - 19
AT151033	3B25	3	3160 - 17	AT157468	1K3	35	0930 - 3	AT159953	3C6	25	3160 - 23
AT151036	2I18	2	1830 - 9	AT157532	3D6	14	3160 - 49	AT159953	3C6	37	3160 - 23
AT151089	3C6	31	3160 - 23	AT157540	3D6	8	3160 - 49	AT159954	3C2	3	3160 - 19
AT151126	2C15	2	1673 - 8	AT157546	1K16	31	0960 - 15	AT159954	3C6	37	3160 - 23
AT151141	1D2	5	0260 - 3	AT157556	2F19	5	1746 - 2	AT159965	3B12	9	3160 - 3
AT151177	3C18	4	3160 - 35	AT157625	2I14	2	1830 - 5	AT159965	3B24	19	3160 - 15
AT151198	2I20	3	1830 - 11	AT157628	2H1	1	1810 - 23	AT159967	3B20	8	3160 - 11
AT151198	2I25	1	1830 - 16	AT157637	2D7	5	1674 - 19	AT159967	3B22	9	3160 - 13
AT151231	2C14	1	1673 - 7	AT157662	2F19	1	1746 - 2	AT159967	3B24	7	3160 - 15
AT151255	2C14	1	1673 - 7	AT157673	1K16	12	0960 - 15	AT159970	3B12	8	3160 - 3
AT151260	1K14	9	0960 - 12	AT157674	1K16	32	0960 - 15	AT159970	3B20	19	3160 - 11
AT151289	3D4	7	3160 - 47	AT157678	2D7	2	1674 - 19	AT159971	3B12	5	3160 - 3
AT151381	2G14	3	1810 - 11	AT157679	2C23	18	1674 - 9	AT159971	3B14	9	3160 - 5
AT151387	1K14	8	0960 - 12	AT157689	1K24	1	1060 - 5	AT159977	1J11	5	0510 - 3
AT151418	2I24	33	1830 - 15	AT157839	2F22	8	1749 - 3	AT159987	2F10	1	1676 - 1
AT151419	2I24	15	1830 - 15	AT157977	1E14	15	0350 - 27	AT160033	3B8	29	3140 - 3
AT151486	2I12	18	1830 - 3	AT157977	1E16	15	0350 - 29	AT160074	2I24	3	1830 - 15
AT151487	2I24	24	1830 - 15	AT157991	2I7	2	1822 - 2	AT160094	2I24	1	1830 - 15
AT151579	2H11	4	1810 - 35	AT158140	2F22	6	1749 - 3	AT160119	2H17	1	1821 - 4
AT151736	2I24	25	1830 - 15	AT158149	2J11	7	1913 - 1	AT160119	2H18	1	1821 - 5
AT151797	1D2	26	0260 - 3	AT158155	2J11	4	1913 - 1	AT160119	2H18	2	1821 - 5
AT151797	1D2	32	0260 - 3	AT158190	2C23	9	1674 - 9	AT160119	2H19	1	1821 - 6
AT151798	1D2	1	0260 - 3	AT158237	2H2	3	1810 - 24	AT160148	3B14	7	3160 - 5
AT151799	1D2	31	0260 - 3	AT158238	1D13	9	0342 - 3	AT160271	2H22	1	1821 - 9
AT151801	1D2	20	0260 - 3	AT158243	1D7	3	0315 - 3	AT160273	2H22	16	1821 - 9
AT151802	1D2	13	0260 - 3	AT158309	3D18	14	3160 - 62	AT160274	2H24	1	1821 - 11
AT151802	1D2	15	0260 - 3	AT158313	2I12	6	1830 - 3	AT160275	2H22	18	1821 - 9
AT151803	1D2	18	0260 - 3	AT158366	1J9	1	0510 - 1	AT160276	2H22	4	1821 - 9
AT151813	2I24	4	1830 - 15	AT158465	1D11	4	0325 - 2	AT160277	2H19	1	1821 - 6
AT151825	1K22	1	1060 - 3	AT158565	2I18	12	1830 - 9	AT160278	2H22	19	1821 - 9
AT151825	1K22	2	1060 - 3	AT158758	1D10	3	0325 - 1	AT160279	2H22	10	1821 - 9
AT151825	1K22	3	1060 - 3	AT158984	2I13	3	1830 - 4	AT160280	2H18	1	1821 - 5
AT151825	1K22	5	1060 - 3	AT159224	1E8	7	0350 - 21	AT160281	2H18	2	1821 - 5
AT151872	3C22	12	3160 - 39	AT159227	1E8	18	0350 - 21	AT160282	2H20	1	1821 - 7
AT151872	3D18	12	3160 - 62	AT159244	1D24	5	0350 - 13	AT160284	2H18	1	1821 - 5
AT151904	1L5	1	1115 - 5	AT159245	1D24	6	0350 - 13	AT160285	2H18	2	1821 - 5
AT151917	3C8	10	3160 - 25	AT159245	1D24	7	0350 - 13	AT160384	1J11	4	0510 - 3
AT151918	3C8	..	3160 - 25	AT159261	1D15	1	0350 - 3	AT160480	2F11	1	1676 - 2
AT151926	2D9	1	1674 - 21	AT159264	1D18	1	0350 - 6	AT160574	3B12	14	3160 - 3
AT151927	2C21	1	1674 - 6	AT159355	1J13	7	0520 - 1	AT160701	2C6	7	1672 - 2
AT151931	2J7	6	1830 - 23	AT159385	2H17	1	1821 - 4	AT160703	2C7	11	1672 - 3
AT151979	1J11	6	0510 - 3	AT159385	2H18	1	1821 - 5	AT160704	2C7	8	1672 - 3
AT152165	1J11	3	0510 - 3	AT159385	2H18	2	1821 - 5	AT161012	2G10	9	1810 - 7
AT152180	1G5	13	0407 - 7	AT159385	2H19	1	1821 - 6	AT161032	1C17	4	0225 - 6
AT152180	3D7	8	3160 - 50	AT159407	3B12	6	3160 - 3	AT161033	1C14	15	0225 - 3
AT156455	2I20	31	1830 - 11	AT159407	3B16	28	3160 - 7	AT161033	1C16	15	0225 - 5
AT156456	2I20	10	1830 - 11	AT159408	3B16	8	3160 - 7	AT161036	2J1	9	1830 - 17
AT156507	3B6	25	3102 - 3	AT159528	2D13	1	1674 - 25	AT161037	2J1	5	1830 - 17
AT156513	2I22	21	1830 - 13	AT159529	2D13	4	1674 - 25	AT161072	1K20	4	1015 - 1
AT156514	2I22	22	1830 - 13	AT159776	2I24	10	1830 - 15	AT161087	2D13	5	1674 - 25
AT156632	1J21	17	0560 - 3	AT159793	1J15	2	0520 - 3	AT161092	2J10	6	1910 - 2
AT156669	3B8	30	3140 - 3	AT159801	2B2	11	1314 - 1	AT161093	2J10	6	1910 - 2
AT156697	2D11	1	1674 - 23	AT159811	2D1	1	1674 - 12	AT161101	1J17	1	0530 - 1
AT156748	1J12	2	0515 - 2	AT159911	3D16	8	3160 - 60	AT161102	2J9	3	1910 - 1
AT156749	1J12	2	0515 - 2	AT159928	1J13	1	0520 - 1	AT161116	3C8	13	3160 - 25
AT156759	2E11	1	1674 - 48	AT159928	1J13	10	0520 - 1	AT161185	1J6	1	0505 - 1
AT156896	1K16	23	0960 - 15	AT159938	3D12	6	3160 - 56	AT161185	2D6	1	1674 - 18
AT157141	2D21	2	1674 - 33	AT159939	3D12	11	3160 - 56	AT161185	2E10	1	1674 - 47
AT157141	2E25	1	1674 - 65	AT159941	3D12	3	3160 - 56	AT161226	2H15	1	1821 - 2
AT157162	2C18	1	1674 - 3	AT159941	3D13	6	3160 - 57	AT161229	2H16	1	1821 - 3
AT157188	1J19	6	0540 - 3	AT159943	1J11	21	0510 - 3	AT161388	2I4	1	1821 - 15
AT157273	1J15	12	0520 - 3	AT159952	3C1	1	3160 - 18				
AT157299	1K9	3	0960 - 6	AT159952	3C2	1	3160 - 19				

# 1L10

LX150 LOADER

## NUMERICAL INDEX - CONTINUED

PART NO.	GRID	KEY	PAGE	PART NO.	GRID	KEY	PAGE	PART NO.	GRID	KEY	PAGE
AT161388	2I4	14	1821 -15	AT79955	2I24	17	1830 -15	F3171R	1B19	7	0210 -11
AT161389	2I4	11	1821 -15	AT80647	3D15	7	3160 -59	F3171R	1B21	7	0210 -13
AT161390	2I4	12	1821 -15	AT82470	2I6	7	1822 -1	F3171R	1B25	7	0210 -17
AT161392	2I4	9	1821 -15	AT83306	1K3	8	0930 -3	F3171R	1B25	12	0210 -17
AT161393	2H23	1	1821 -10	AT83363	2I20	27	1830 -11	F3171R	1G5	15	0407 -7
AT161393	2I4	2	1821 -15	AT83366	2I22	12	1830 -13	F3171R	1G9	16	0407 -11
AT161394	2H22	17	1821 -9	AT83367	2I22	16	1830 -13	F3171R	1G11	16	0407 -13
AT161395	2H19	1	1821 -6	AT83824	1K8	3	0960 -5	F3220R	2H7	25	1810 -31
AT161533	3D4	17	3160 -47	AT83824	1K8	18	0960 -5	F3220R	2H9	25	1810 -33
AT161536	3D4	10	3160 -47	AT83824	1K8	19	0960 -5	F3353R	2B11	..	1369 -3
AT161752	1D2	16	0260 -3	AT85174	2C25	1	1674 -11	F3353R	3B14	4	3160 -5
AT162676	2C24	1	1674 -10	AT85197	2B16	..	1369 -8	F3353R	3C1	5	3160 -18
AT162676	2D09	2	1674 -21	AT85785	2C12	5	1673 -5	F3353R	3C2	6	3160 -19
AT18904	1F13	1	0402 -4	AT85786	2C11	5	1673 -4	F3353R	3C6	24	3160 -23
AT25226	1B2	2	0110 -1	AT90457	2G8	12	1810 -5	F3450R	3D21	14	3160 -65
AT25226	1B3	4	0110 -2	AU10862	1G9	12	0407 -11	F3646R	1F17	6	0404 -3
AT25258	1J6	5	0505 -1	AU40690	1G11	15	0407 -13	H104855	2E13	9	1674 -51
AT25258	2D2	2	1674 -13	AU40997	1G9	12	0407 -11	H104855	2F2	9	1674 -67
AT32335	1G17	12	0413 -1	AU43853	2H7	24	1810 -31	H113196	1I11	7	0422 -1
AT32335	1H9	13	0413 -19	A15595	2I12	10	1830 -3	H113196	1I18	6	0422 -9
AT34210	2B2	3	1314 -1	A3606R	2B11	..	1369 -3	H113196	1I18	8	0422 -9
AT34211	2B2	1	1314 -1	A37912	1D20	12	0350 -9	H113924	2F16	12	1740 -2
AT34211	2B2	2	1314 -1	A3917R	2B11	..	1369 -3	H132922	1G25	7	0413 -9
AT34211	2B2	6	1314 -1	A4365R	1F17	25	0404 -3	H145439	3C16	5	3160 -33
AT35831	2I14	7	1830 -5	A4365R	1F23	22	0404 -9	H145440	3C14	5	3160 -31
AT36212	1B4	8	0110 -3	A4365R	2B11	..	1369 -3	H145567	3C14	22	3160 -31
AT36212	1B6	8	0110 -5	A4540R	1B17	17	0210 -9	H21259	2B5	23	1320 -3
AT36635	2G17	16	1810 -14	A4540R	1B19	15	0210 -11	H24710	2G10	1	1810 -7
AT37478	1H11	4	0414 -1	A4730R	2B11	..	1369 -3	H24710	2G14	1	1810 -11
AT39043	2J21	5	2004 -2	A4827R	1G5	10	0407 -7	H26743	2B6	3	1320 -4
AT39141	3D4	8	3160 -47	A4827R	1G9	9A	0407 -11	H32811	3D21	12	3160 -65
AT39141	3D19	8	3160 -63	A4827R	1G11	10	0407 -13	H33801	1H13	10	0414 -3
AT41188	2C4	17	1671 -1	A4925R	1H15	4	0416 -3	H33801	1H24	7	0418 -3
AT41188	2C5	18	1671 -2	A4925R	1I2	4	0419 -3	H35230	3B18	2	3160 -9
AT42386	2B8	..	1330 -2	B15646	2B7	..	1330 -1	H35230	3B22	2	3160 -13
AT42398	2F23	2	1749 -4	B2762R	2B11	..	1369 -3	H35244	2B11	..	1369 -3
AT47069	2C4	1	1671 -1	B3690R	1K16	8	0960 -15	H77698	1C12	5	0210 -29
AT47069	2C5	1	1671 -2	B3690R	2B11	..	1369 -3	H77698	1D2	24	0260 -3
AT49216	3C8	26	3160 -25	C15104	1K8	23	0960 -5	H77698	1E24	21	0360 -3
AT49859	1C12	18	0210 -29	C15421	1D3	2	0260 -4	H77698	1J21	22	0560 -3
AT53541	1C12	6	0210 -29	C15421	1F3	5	0374 -2	H77698	1K13	18	0960 -11
AT53801	2G6	2	1810 -3	C16054	1J16	2	0520 -4	H77698	1K14	10	0960 -12
AT53801	2G18	7	1810 -15	C19243	1B12	7	0210 -3	H77698	1K24	16	1060 -5
AT53801	2H12	5	1810 -36	DD11603	1D2	10	0260 -3	H77698	2C24	5	1674 -10
AT56657	1J15	3	0520 -3	E12379	1C12	2	0210 -29	H77698	2D9	11	1674 -21
AT56657	1J15	5	0520 -3	E12379	2B20	5	1370 -1	H77698	2D13	3	1674 -25
AT56771	2J12	6	1913 -2	E12379	3C14	26	3160 -31	H77698	2H7	36	1810 -31
AT56772	2I20	38	1830 -11	E1343FN	1F14	1	0403 -1	H77698	2H9	30	1810 -33
AT58209	2H7	11	1810 -31	E1343FN	1I24	3	0429 -2	H77698	2J1	10	1830 -17
AT58209	2H9	11	1810 -33	E1343FN	1J1	3	0429 -4	H77698	3C4	4	3160 -21
AT58887	1D3	5	0260 -4	E17421	1J13	4	0520 -1	H77698	3C10	27	3160 -27
AT58887	1F3	4	0374 -2	E48497	1J21	12	0560 -3	H77698	3D8	6	3160 -52
AT59892	2H5	2	1810 -28	E55662	1G17	10	0413 -1	H79910	1F23	26	0404 -9
AT60407	1J12	4	0515 -2	E55662	1H7	7	0413 -16	H81678	2G10	16	1810 -7
AT62791	2G24	16	1810 -21	E55662	1H9	11	0413 -19	H84318	3B16	3	3160 -7
AT63265	2J1	8	1830 -17	E55662	1I11	4	0422 -1	H84318	3B20	3	3160 -11
AT65276	1J9	3	0510 -1	E55662	1I22	1	0423 -3	H84318	3B24	13	3160 -15
AT66632	2B7	..	1330 -1	E78686	1D3	7	0260 -4	H85233	2G5	1	1810 -2
AT70190	2G24	17	1810 -21	F1056R	2B11	..	1369 -3	H85233	2H12	1	1810 -36
AT74836	2I22	14	1830 -13	F1743R	1F17	11	0404 -3	H85233	2I20	1	1830 -11
AT75345	2C11	2	1673 -4	F1743R	1F23	9	0404 -9	H85233	2J10	6	1910 -2
AT75345	2C12	2	1673 -5	F1870R	2B11	..	1369 -3	H85233	2J21	3	2004 -2
AT75769	2D13	2	1674 -25	F1870R	3D4	12	3160 -47	H86832	2G10	12	1810 -7
AT76672	2I22	13	1830 -13	F1870R	3D19	12	3160 -63	H871R	1C10	28	0210 -27
AT78534	2J20	3	2004 -1	F2380R	1C22	11	0250 -5				
AT79195	1E24	1	0360 -3	F2380R	1C24	11	0250 -7				
AT79195	3D8	1	3160 -52	F3171R	1B17	7	0210 -9				

# 1L11

LX150 LOADER

## NUMERICAL INDEX - CONTINUED

PART NO.	GRID	KEY	PAGE	PART NO.	GRID	KEY	PAGE	PART NO.	GRID	KEY	PAGE
H88900	3C16	8	3160 -33	L33993	2C6	5	1672 -2	RE10977	2J5	6	1830 -21
H91811	2I24	16	1830 -15	L38752	1E4	1	0350 -17	RE10978	2J5	3	1830 -21
H96226	3B6	8	3102 -3	L38855	2I2	2	1821 -13	RE10979	2J5	1	1830 -21
H96226	3B10	11	3140 -5	L38892	2I4	13	1821 -15	RE10980	2J2	4	1830 -18
JD10242	1D20	21	0350 -9	L40275	1D22	10	0350 -11	RE10981	2J2	1	1830 -18
JD10315	1C22	3	0250 -5	L40275	1E24	16	0360 -3	RE10982	2J2	2	1830 -18
JD10315	1C24	3	0250 -7	L42041	2I2	1	1821 -13	RE11154	2E15	57	1674 -53
JD10316	1C22	4	0250 -5	L42042	2I2	3	1821 -13	RE11154	2F4	57	1674 -69
JD10316	1C24	4	0250 -7	L55601	1D22	5	0350 -11	RE11156	2E15	36	1674 -53
JD10362	1H21	9	0417 -5	L55601	1E4	4	0350 -17	RE11156	2F4	36	1674 -69
JD10363	1H21	7	0417 -5	M113093	2J21	1	2004 -2	RE11157	2E15	37	1674 -53
JD10420	1I24	2	0429 -2	M40333	1F2	8	0360 -5	RE11157	2F4	37	1674 -69
JD10420	1J1	2	0429 -4	M40333	2G22	7	1810 -19	RE11410	1G15	3	0409 -3
JD30213	1D20	3	0350 -9	M40333	2G25	2	1810 -22	RE12176	1J15	9	0520 -3
JD30213	1D20	8	0350 -9	M40463	2I24	34	1830 -15	RE12180	1J22	5	0570 -2
JD38926	1E18	23	0350 -31	M41029	3C8	15	3160 -25	RE12330	2E17	14	1674 -55
JD5814	1C16	5	0225 -5	M4125T	3B16	6	3160 -7	RE12330	2F6	14	1674 -71
JD7155	1D20	19	0350 -9	M4125T	3B20	6	3160 -11	RE12331	2E17	12	1674 -55
JD7169	3D2	22	3160 -45	M4125T	3B24	6	3160 -15	RE12331	2F6	12	1674 -71
JD7759	1C14	5	0225 -3	M41554	2J13	20	1921 -1	RE12332	2E17	18	1674 -55
JD7759	1C16	5	0225 -5	M4237T	2B11	..	1369 -3	RE12332	2F6	18	1674 -71
JD7759	1C17	2	0225 -6	M43835	2E13	2	1674 -51	RE12333	2E17	21	1674 -55
JD7759	3C16	19	3160 -33	M43835	2F2	2	1674 -67	RE12333	2F6	21	1674 -71
JD7763	3B8	5	3140 -3	M43940	3C4	18	3160 -21	RE12334	2E17	8	1674 -55
JD7763	3C14	4	3160 -31	M45389	3D2	5	3160 -45	RE12334	2F6	8	1674 -71
JD7788	3C14	27	3160 -31	M45398	3D2	3	3160 -45	RE12362	2E17	4	1674 -55
JD7797	1C12	1	0210 -29	M46653	1K6	6	0960 -3	RE12362	2F6	4	1674 -71
JD7797	2B20	1	1370 -1	M61002	2G25	4	1810 -22	RE12363	2E17	11	1674 -55
JD7798	1K11	18	0960 -9	M71741	3D2	14	3160 -45	RE12363	2F6	11	1674 -71
JD7798	3B6	4	3102 -3	M72490	1G17	9	0413 -1	RE12364	2E17	16	1674 -55
JD7798	3B8	13	3140 -3	M72490	1H7	6	0413 -16	RE12364	2F6	16	1674 -71
JD7798	3B10	3	3140 -5	M72490	1H9	10	0413 -19	RE12365	2E17	20	1674 -55
JD7842	1C14	9	0225 -3	M72490	1H10	5	0413 -20	RE12365	2F6	20	1674 -71
JD7842	1C16	9	0225 -5	M74600	3D2	26	3160 -45	RE12366	2E17	25	1674 -55
JD7847	3B8	13	3140 -3	M81896	1B12	2	0210 -3	RE12366	2F6	25	1674 -71
JD8159	1C2	7	0210 -19	M81896	1B12	14	0210 -3	RE12842	2B15	2	1369 -7
JD8159	1C3	7	0210 -20	M81896	1D7	6	0315 -3	RE13731	1I15	1	0422 -6
JD8159	1C4	8	0210 -21	M84972	2I12	7	1830 -3	RE13732	1I17	10	0422 -8
JD8210	1C2	5	0210 -19	M89366	2I24	19	1830 -15	RE13733	1I17	9	0422 -8
JD8210	1C3	5	0210 -20	N10215	2C10	1	1673 -3	RE15058	1I17	15	0422 -8
JD8210	1C4	6	0210 -21	N115096	2E13	11	1674 -51	RE15428	2C23	20	1674 -9
JD8255	1B17	14	0210 -9	N115096	2F2	11	1674 -67	RE15807	1G21	27	0413 -5
JD8255	1B19	12	0210 -11	N117902	2J21	7	2004 -2	RE15808	1G21	28	0413 -5
JD8272	1C22	7	0250 -5	N131838	2B11	..	1369 -3	RE16127	1I23	2	0429 -1
JD8272	1C24	7	0250 -7	N157204	2G24	22	1810 -21	RE16223	2F12	2	1676 -3
JD8510	1E14	33	0350 -27	N189220	3C10	32	3160 -27	RE16360	1H4	18	0413 -13
JD8809	1B21	13	0210 -13	N189220	3D15	11	3160 -59	RE18708	1H7	8	0413 -16
JD8856	1K8	14	0960 -5	N191985	1K24	17	1060 -5	RE18708	1H9	17	0413 -19
JD8989	1C22	8	0250 -5	P40098	1D2	17	0260 -3	RE18708	1I9	16	0421 -1
JD8989	1C24	8	0250 -7	P42987	2I14	6	1830 -5	RE18726	1G9	2	0407 -11
JD9055	1C2	8	0210 -19	P46051	2B11	..	1369 -3	RE19630	1C4	4	0210 -21
JD9055	1C3	8	0210 -20	P46051	3D9	13	3160 -53	RE20042	1H7	8	0413 -16
JD9078	1B17	15	0210 -9	P46051	3D10	2	3160 -54	RE20042	1H9	17	0413 -19
JD9078	1B19	13	0210 -11	P48403	2B11	..	1369 -3	RE20042	1I10	16	0421 -2
JD9118	1C2	9	0210 -19	P50631	2B11	..	1369 -3	RE20231	1H15	3	0416 -3
JD9118	1C3	9	0210 -20	P50883	2B7	..	1330 -1	RE20254	2J18	1	2002 -1
JD9156	1C4	11	0210 -21	P51079	1K8	20	0960 -5	RE20344	1K11	5	0960 -9
JD9320	1B12	9	0210 -3	P51212	2B7	..	1330 -1	RE20430	1K11	..	0960 -9
JD9406	1D17	8	0350 -5	RE10258	1H2	5	0413 -11	RE20434	1K11	..	0960 -9
JD9601	1C4	10	0210 -21	RE10259	1I9	12	0421 -1	RE20491	1K11	7	0960 -9
JD9898	1E18	22	0350 -31	RE10259	1I9	16	0421 -1	RE21029	1C10	29	0210 -27
K40006	2G17	8	1810 -14	RE10259	1I10	9	0421 -2	RE21730	2E18	5	1674 -56
K40006	2G22	11	1810 -19	RE10582	1G22	1	0413 -6	RE21730	2F7	5	1674 -72
K40006	2G24	23	1810 -21	RE10973	2J5	5	1830 -21	RE21731	2E18	5	1674 -56
L32705	3D4	6	3160 -47	RE10974	2J2	11	1830 -18	RE21731	2F7	5	1674 -72
L32705	3D19	16	3160 -63	RE10975	2J2	13	1830 -18	RE21732	2E18	6	1674 -56
				RE10976	2J3	1	1830 -19	RE21732	2F7	6	1674 -72

# 1L12

LX150 LOADER

## NUMERICAL INDEX - CONTINUED

PART NO.	GRID	KEY	PAGE	PART NO.	GRID	KEY	PAGE	PART NO.	GRID	KEY	PAGE
RE21790	1J6	2	0505 - 1	RE37448	1F13	3	0402 - 4	RE47415	1G21	6	0413 - 5
RE22764	1F15	5	0404 - 1	RE37961	1I20	..	0422 - 11	RE47419	1G21	1	0413 - 5
RE23295	1H21	11	0417 - 5	RE38288	1H17	..	0416 - 5	RE47501	1I4	4	0420 - 3
RE23393	1K3	27	0930 - 3	RE38331	1H17	1	0416 - 5	RE47501	1I8	3	0420 - 7
RE23393	1K4	6	0930 - 4	RE38343	1H15	17	0416 - 3	RE47714	1G21	7	0413 - 5
RE24045	1F12	11	0402 - 3	RE38346	1H16	..	0416 - 4	RE47716	1G21	4	0413 - 5
RE24046	1F12	13	0402 - 3	RE38424	1I10	10	0421 - 2	RE47717	1G21	3	0413 - 5
RE24535	1K11	12	0960 - 9	RE38535	1H13	8	0414 - 3	RE47718	1G21	2	0413 - 5
RE24706	1G7	9	0407 - 9	RE38615	1I13	6	0422 - 3	RE47880	1G17	4	0413 - 1
RE24772	1H21	3	0417 - 5	RE38615	1I20	6	0422 - 11	RE48051	1I4	9	0420 - 3
RE24865	1K11	19	0960 - 9	RE38619	1I13	2	0422 - 3	RE48073	2D3	1	1674 - 14
RE25050	1K11	2	0960 - 9	RE38619	1I20	2	0422 - 11	RE48310	1J6	13	0505 - 1
RE25052	1K11	11	0960 - 9	RE38621	1I13	8	0422 - 3	RE48310	1J6	14	0505 - 1
RE25146	3C16	11	3160 - 33	RE38621	1I20	8	0422 - 11	RE48310	1J7	5	0505 - 2
RE25147	3C14	13	3160 - 31	RE38625	1I13	7	0422 - 3	RE48321	1J7	3	0505 - 2
RE25148	3C14	21	3160 - 31	RE38625	1I20	7	0422 - 11	RE48380	1F14	8	0403 - 1
RE25148	3C16	21	3160 - 33	RE38629	1I13	10	0422 - 3	RE48452	1H9	2	0413 - 19
RE25149	3C14	20	3160 - 31	RE38629	1I20	10	0422 - 11	RE48606	1G17	16	0413 - 1
RE25149	3C16	20	3160 - 33	RE38732	1H9	16	0413 - 19	RE48606	1H2	3	0413 - 11
RE25150	3C14	10	3160 - 31	RE38732	1H9	19	0413 - 19	RE48739	1F14	10	0403 - 1
RE25150	3C16	9	3160 - 33	RE39026	1B17	11	0210 - 9	RE48739	1F21	1	0404 - 7
RE25152	3C14	..	3160 - 31	RE39063	1I18	10	0422 - 9	RE49486	1B17	1	0210 - 9
RE25152	3C16	..	3160 - 33	RE39064	1I18	13	0422 - 9	RE49486	1B19	1	0210 - 11
RE25652	1F14	10	0403 - 1	RE39121	1H19	15	0417 - 3	RE49486	1B21	1	0210 - 13
RE25876	3C14	2	3160 - 31	RE39134	1H21	6	0417 - 5	RE49486	1B21	12	0210 - 13
RE27091	1I4	11	0420 - 3	RE39890	1I2	14	0419 - 3	RE49899	1H9	15	0413 - 19
RE27091	1I8	13	0420 - 7	RE40111	1C14	3	0225 - 3	RE49899	1H9	16	0413 - 19
RE27159	1K4	4	0930 - 4	RE40111	1C16	3	0225 - 5	RE49962	1I8	5	0420 - 7
RE27160	1K4	1	0930 - 4	RE40111	1C17	1	0225 - 6	RE50112	1H1	1	0413 - 10
RE27161	1K4	5	0930 - 4	RE40434	1I8	8	0420 - 7	RE50114	1B13	1	0210 - 4
RE27162	1K4	3	0930 - 4	RE41286	1H15	9	0416 - 3	RE50114	1B14	1	0210 - 5
RE29255	1H7	1	0413 - 16	RE41755	1I15	17	0422 - 6	RE50115	1B15	1	0210 - 6
RE29255	1H9	18	0413 - 19	RE41755	1I20	..	0422 - 11	RE50140	1G17	14	0413 - 1
RE29428	1C10	7	0210 - 27	RE41759	1I11	10	0422 - 1	RE50431	1C1	9	0210 - 18
RE29488	1H16	1	0416 - 4	RE41759	1I11	11	0422 - 1	RE50467	1I6	..	0420 - 5
RE29498	1F17	24	0404 - 3	RE41811	1F24	1	0407 - 1	RE50590	1G25	4	0413 - 9
RE29529	1H7	1	0413 - 16	RE41837	1B23	4	0210 - 15	RE50696	1G23	13	0413 - 7
RE29529	1H9	18	0413 - 19	RE42107	1H20	6	0417 - 4	RE50696	1G25	6	0413 - 9
RE29859	1J4	19	0452 - 3	RE42114	1G2	2	0407 - 3	RE50752	1I6	7	0420 - 5
RE30159	1G19	11	0413 - 3	RE42151	1J4	38	0452 - 3	RE50855	1B9	1	0201 - 1
RE30970	1G21	16	0413 - 5	RE42383	1F10	3	0402 - 1	RE50856	1B9	1	0201 - 1
RE31029	1H13	6	0414 - 3	RE42691	1H9	3	0413 - 19	RE50857	1B9	1	0201 - 1
RE31258	1H15	17	0416 - 3	RE42741	1G15	18	0409 - 3	RE50859	1B9	1	0201 - 1
RE32165	1C8	10	0210 - 25	RE42749	1G3	2	0407 - 4	RE50861	1B9	1	0201 - 1
RE32166	1C8	9	0210 - 25	RE43166	1H19	20	0417 - 3	RE50862	1B9	1	0201 - 1
RE32167	1C8	7	0210 - 25	RE44384	1K19	1	1011 - 2	RE51649	1I6	..	0420 - 5
RE32539	1B14	1	0210 - 5	RE44414	1C1	3	0210 - 18	RE51650	1I6	..	0420 - 5
RE32540	1B13	1	0210 - 4	RE44496	1C1	6	0210 - 18	RE51683	1K18	3	1011 - 1
RE32603	1C10	15	0210 - 27	RE45315	1B10	1	0210 - 1	RE51807	1B15	1	0210 - 6
RE33486	1H9	16	0413 - 19	RE45315	1B12	22	0210 - 3	RE52106	1G5	2	0407 - 7
RE33542	1I4	3	0420 - 3	RE45315	1B17	16	0210 - 9	RE52110	1G19	8	0413 - 3
RE33542	1I8	11	0420 - 7	RE45315	1B19	14	0210 - 11	RE52277	1G2	7	0407 - 3
RE33636	1J6	10	0505 - 1	RE45317	1B10	1	0210 - 1	RE52722	2D4	1	1674 - 15
RE35847	1H7	1	0413 - 16	RE45319	1B12	23	0210 - 3	RE52955	1I11	11	0422 - 1
RE35847	1H9	18	0413 - 19	RE45337	1H19	10	0417 - 3	RE52987	2B21	4	1399 - 1
RE36134	2I18	6	1830 - 9	RE45337	1H20	3	0417 - 4	RE53199	1F8	5	0401 - 1
RE36268	2C7	2	1672 - 3	RE45439	1G11	2	0407 - 13	RE53217	1I11	11	0422 - 1
RE36367	1I2	2	0419 - 3	RE45441	1G11	14	0407 - 13	RE53217	1I13	..	0422 - 3
RE36421	1G21	29	0413 - 5	RE45442	1G9	12	0407 - 11	RE53458	1F19	1	0404 - 5
RE36527	1I25	1	0429 - 3	RE46380	1G7	25	0407 - 9	RE53729	1I6	9	0420 - 5
RE36812	1G17	2	0413 - 1	RE46380	1I2	12	0419 - 3	RE53729	2B21	4	1399 - 1
RE36812	1H9	4	0413 - 19	RE46380	2B21	3	1399 - 1	RE53959	1I6	4	0420 - 5
RE37152	2I18	11	1830 - 9	RE47044	1I4	6	0420 - 3	RE54077	1I6	8	0420 - 5
				RE47106	1F17	24	0404 - 3	RG19279	1H21	11	0417 - 5
				RE47120	1G21	11	0413 - 5	RG20846	1F21	1	0404 - 7
				RE47336	1G15	19	0409 - 3	R100263	1B25	16	0210 - 17
				RE47336	1J4	18	0452 - 3	R100267	1B19	9	0210 - 11

# 1L13

LX150 LOADER

## NUMERICAL INDEX - CONTINUED

PART NO.	GRID	KEY	PAGE	PART NO.	GRID	KEY	PAGE	PART NO.	GRID	KEY	PAGE
R100363	1H19	15	0417 -3	R106739	1K18	5	1011 -1	R116810	1C20	6	0250 -3
R100364	1H19	12	0417 -3	R106740	1K18	6	1011 -1	R116821	1C20	9	0250 -3
R100367	1H19	11	0417 -3	R106789	1B25	5	0210 -17	R116835	1K18	2	1011 -1
R100367	1H20	4	0417 -4	R106859	1F17	6	0404 -3	R117016	1I6	1	0420 -5
R100367	1J4	26	0452 -3	R106859	1G7	18	0407 -9	R1612R	1F17	10	0404 -3
R100369	1H19	9	0417 -3	R106974	1K18	4	1011 -1	R1612R	1F23	8	0404 -9
R100369	1H20	2	0417 -4	R107623	1F23	11	0404 -9	R21612	1B25	4	0210 -17
R100380	1I18	3	0422 -9	R108404	1I22	4	0423 -3	R21630	1F17	13	0404 -3
R100406	1F19	1	0404 -5	R108630	1H24	23	0418 -3	R26012	1C20	15	0250 -3
R100499	1I2	5	0419 -3	R108867	1I2	9	0419 -3	R26058	1F15	4	0404 -1
R100569	1G3	1	0407 -4	R109082	1C20	10	0250 -3	R26058	1J4	35	0452 -3
R100569	1J4	34	0452 -3	R109083	1C20	11	0250 -3	R26079	1F12	8	0402 -3
R100583	1L3	9	1115 -3	R109717	1F10	2	0402 -1	R26081	1F12	2	0402 -3
R100609	1B21	9	0210 -13	R109717	1F10	3	0402 -1	R26151	1G7	11	0407 -9
R100671	1H24	28	0418 -3	R109777	1F17	24	0404 -3	R26286	1D2	11	0260 -3
R100911	1I13	7	0414 -3	R109859	1H24	15	0418 -3	R26286	1J15	8	0520 -3
R100911	1J4	2	0452 -3	R110126	1F10	2	0402 -1	R26286	2B11	..	1369 -3
R10093	2B7	..	1330 -1	R110286	1G15	21	0409 -3	R26286	2D3	2	1674 -14
R10093	2B11	..	1369 -3	R110288	1G15	7	0409 -3	R26287	1C1	8	0210 -18
R10093	2I20	28	1830 -11	R110289	1G15	6	0409 -3	R26287	2B11	..	1369 -3
R10093	2I24	5	1830 -15	R110326	1C22	1	0250 -5	R26333	1I23	3	0429 -1
R101042	1H19	2	0417 -3	R110326	1C24	1	0250 -7	R26375	1B25	2	0210 -17
R101042	1H20	1	0417 -4	R11120	1I13	5	0422 -3	R26375	1D2	8	0260 -3
R101042	1J4	25	0452 -3	R11120	1I20	5	0422 -11	R26375	1K3	24	0930 -3
R101085	2F14	1	1676 -5	R112053	1F10	7	0402 -1	R26375	1K6	12	0960 -3
R102838	1H11	7	0414 -1	R112069	1G15	13	0409 -3	R26375	1K24	8	1060 -5
R102838	1H13	13	0414 -3	R112070	1G15	12	0409 -3	R26375	2B11	..	1369 -3
R102838	1J4	9	0452 -3	R112079	1C20	8	0250 -3	R26375	3D6	13	3160 -49
R102844	1I2	7	0419 -3	R112267	1F11	9	0402 -2	R26375	3D7	5	3160 -50
R102882	1G15	5	0409 -3	R112267	1H19	6	0417 -3	R26375	3D9	17	3160 -53
R102932	1G15	18	0409 -3	R112268	1F11	8	0402 -2	R26375	3D10	1	3160 -54
R102961	3C8	23	3160 -25	R112268	1H19	14	0417 -3	R26448	1B12	17	0210 -3
R102981	1H15	11	0416 -3	R112269	1F11	6	0402 -2	R26448	1B17	3	0210 -9
R104558	1E8	40	0350 -21	R112269	1H19	5	0417 -3	R26448	1B19	3	0210 -11
R104558	1E10	55	0350 -23	R112273	1F11	10	0402 -2	R26448	1B21	3	0210 -13
R104574	1F19	1	0404 -5	R112305	1I24	1	0429 -2	R26448	1B25	6	0210 -17
R104574	1F23	11	0404 -9	R112310	1G23	3	0413 -7	R26448	1E24	19	0360 -3
R104574	1F24	2	0407 -1	R11278	2J21	10	2004 -2	R26448	1H2	4	0413 -11
R104587	1F8	4	0401 -1	R112857	2B13	..	1369 -5	R26448	1I9	6	0421 -1
R104589	1F10	6	0402 -1	R112887	1C2	1	0210 -19	R26448	1I10	8	0421 -2
R104590	1G17	5	0413 -1	R112887	1C3	1	0210 -20	R26448	1K13	24	0960 -11
R104591	1H19	1	0417 -3	R112887	1C4	1	0210 -21	R26448	1K24	5	1060 -5
R104592	1F17	12	0404 -3	R113050	2I20	25	1830 -11	R26448	1K24	15	1060 -5
R104592	1F23	10	0404 -9	R113050	2I24	11	1830 -15	R26448	1K24	23	1060 -5
R104592	1G7	5	0407 -9	R113050	2J1	7	1830 -17	R26448	1K24	34	1060 -5
R104592	1H11	8	0414 -1	R113407	1G25	1	0413 -9	R26448	2B11	..	1369 -3
R104592	1H24	5	0418 -3	R114130	1F23	2	0404 -9	R26448	2D4	2	1674 -15
R104592	1I8	17	0420 -7	R114130	1I1	2	0422 -1	R26448	3B12	13	3160 -3
R104592	1I10	11	0421 -2	R114347	1C22	2	0250 -5	R26448	3B25	1	3160 -17
R104621	1G7	3	0407 -9	R114347	1C24	2	0250 -7	R26448	3C1	3	3160 -18
R104621	1I2	11	0419 -3	R115050	1F15	3	0404 -1	R26448	3C2	4	3160 -19
R104623	1F11	2	0402 -2	R115130	1I22	2	0423 -3	R26448	3C8	24	3160 -25
R104623	1J4	22	0452 -3	R115176	1C1	7	0210 -18	R26448	3C10	4	3160 -27
R104628	1G2	6	0407 -3	R115187	1B15	1	0210 -6	R26448	3C12	4	3160 -29
R104628	1G3	3	0407 -4	R115188	1I22	5	0423 -3	R26448	3C12	19	3160 -29
R104656	1F10	5	0402 -1	R115190	1I22	6	0423 -3	R26448	3D4	4	3160 -47
R104706	1H11	6	0414 -1	R115368	1G19	4	0413 -3	R26448	3D7	1	3160 -50
R104859	1F11	4	0402 -2	R115369	1G19	3	0413 -3	R26448	3D11	3	3160 -55
R104861	1F11	5	0402 -2	R115414	1G24	1	0413 -8	R26448	3D19	4	3160 -63
R104862	1I2	13	0419 -3	R115439	1C6	1	0210 -23	R26552	1K8	12	0960 -5
R105346	1H15	6	0416 -3	R115439	1C8	12	0210 -25	R26559	1F12	4	0402 -3
R105346	1J4	5	0452 -3	R116088	1B12	6	0210 -3	R26622	1F17	6	0404 -3
R105379	1F12	15	0402 -3	R116088	1D7	8	0315 -3	R26727	1G5	11	0407 -7
R105556	1F13	5	0402 -4	R116159	1C24	6	0250 -7	R26727	1G11	11	0407 -13
R105593	1C22	6	0250 -5	R116211	1C10	30	0210 -27	R26748	1F12	12	0402 -3
R105732	1F11	13	0402 -2	R116311	1F8	6	0401 -1	R26773	2B13	..	1369 -5
R105732	1H19	19	0417 -3	R116465	1F11	3	0402 -2	R26863	2B13	..	1369 -5

# 1L14

LX150 LOADER

## NUMERICAL INDEX - CONTINUED

PART NO.	GRID	KEY	PAGE	PART NO.	GRID	KEY	PAGE	PART NO.	GRID	KEY	PAGE
R26906	1B25	11	0210 - 17	R29936	3C20	1	3160 - 37	R42697	1B12	15	0210 - 3
R26906	1D2	9	0260 - 3	R29936	3C20	19	3160 - 37	R42729	1H9	10	0413 - 19
R26906	1K3	31	0930 - 3	R29936	3C22	1	3160 - 39	R42926	3D12	5	3160 - 56
R26906	2B13	..	1369 - 5	R29936	3D4	5	3160 - 47	R42926	3D13	5	3160 - 57
R27149	1F17	27	0404 - 3	R29936	3D9	1	3160 - 53	R42926	3D14	4	3160 - 58
R27149	1F23	24	0404 - 9	R29936	3D18	1	3160 - 62	R43369	1J2	1	0433 - 1
R27166	2B13	..	1369 - 5	R29936	3D19	5	3160 - 63	R43548	1G7	21	0407 - 9
R27175	1B17	8	0210 - 9	R30378	2E15	43	1674 - 53	R43605	1H11	5	0414 - 1
R27175	1B19	8	0210 - 11	R30378	2F4	43	1674 - 69	R43621	1F17	15	0404 - 3
R27175	1B21	8	0210 - 13	R30903	2B13	..	1369 - 5	R43621	1F23	12	0404 - 9
R27175	1B25	8	0210 - 17	R31396	1D9	6	0315 - 5	R43660	1G7	1	0407 - 9
R27175	1G5	16	0407 - 7	R32024	2E18	3	1674 - 56	R43774	1G7	20	0407 - 9
R27175	1G9	17	0407 - 11	R32024	2F7	3	1674 - 72	R44161	1J15	15	0520 - 3
R27175	1G11	18	0407 - 13	R32025	2E18	4	1674 - 56	R44165	2H7	31	1810 - 31
R27180	2C6	12	1672 - 2	R32025	2F7	4	1674 - 72	R44165	2I13	2	1830 - 4
R27180	2C7	9	1672 - 3	R32026	2E15	48	1674 - 53	R44302	1D2	15	0260 - 3
R27180	2D21	1	1674 - 33	R32026	2F4	48	1674 - 69	R44302	1I11	9	0422 - 1
R27180	2E25	2	1674 - 65	R33029	1C20	5	0250 - 3	R44302	1I18	7	0422 - 9
R27181	1J21	25	0560 - 3	R33259	2B7	..	1330 - 1	R44302	1J6	6	0505 - 1
R27216	1K24	26	1060 - 5	R33259	2B13	..	1369 - 5	R44302	1K3	12	0930 - 3
R27218	1B17	4	0210 - 9	R33259	2I24	2	1830 - 15	R44302	2B2	9	1314 - 1
R27218	1B19	4	0210 - 11	R33259	2J1	6	1830 - 17	R44302	2C4	2	1671 - 1
R27218	1B21	4	0210 - 13	R33259	3B18	6	3160 - 9	R44302	2C5	5	1671 - 2
R27218	1E24	20	0360 - 3	R33259	3B22	8	3160 - 13	R44302	2D17	1	1674 - 29
R27218	1K24	33	1060 - 5	R33259	3D13	3	3160 - 57	R44302	2F12	5	1676 - 3
R27218	3B25	1	3160 - 17	R33259	3D14	2	3160 - 58	R44302	2G8	2	1810 - 5
R27218	3C1	3	3160 - 18	R33277	1B12	16	0210 - 3	R44302	2I20	37	1830 - 11
R27218	3C2	4	3160 - 19	R34203	1C10	6	0210 - 27	R44302	2I22	18	1830 - 13
R27218	3D2	27	3160 - 45	R34513	1C4	9	0210 - 21	R44302	3C14	6	3160 - 31
R27443	1F12	9	0402 - 3	R34812	2B7	..	1330 - 1	R44342	2C24	3	1674 - 10
R27453	1D7	7	0315 - 3	R34857	1C10	9	0210 - 27	R44342	2D9	2	1674 - 21
R27453	1D9	8	0315 - 5	R34858	1C10	8	0210 - 27	R45010	1B12	18	0210 - 3
R27474	1B25	10	0210 - 17	R35365	1B17	2	0210 - 9	R459R	2B11	..	1369 - 3
R27928	2B13	..	1369 - 5	R35365	1B19	2	0210 - 11	R460R	2B11	..	1369 - 3
R27976	1D2	14	0260 - 3	R35365	1B21	2	0210 - 13	R46323	1C2	4	0210 - 19
R28557	1K8	22	0960 - 5	R35366	1B17	2	0210 - 9	R46323	1C3	4	0210 - 20
R28776	2B13	..	1369 - 5	R35366	1B19	2	0210 - 11	R46323	1C4	5	0210 - 21
R28776	3B18	4	3160 - 9	R35366	1B21	2	0210 - 13	R46324	1C2	4	0210 - 19
R28776	3B22	5	3160 - 13	R35367	1B17	2	0210 - 9	R46324	1C3	4	0210 - 20
R28776	3D12	9	3160 - 56	R35367	1B19	2	0210 - 11	R46324	1C4	5	0210 - 21
R28776	3D13	4	3160 - 57	R35367	1B21	2	0210 - 13	R46325	1C2	4	0210 - 19
R28776	3D14	5	3160 - 58	R35794	2I18	22	1830 - 9	R46325	1C3	4	0210 - 20
R28782	1D2	28	0260 - 3	R36311	1C12	3	0210 - 29	R46325	1C4	5	0210 - 21
R28782	1K3	5	0930 - 3	R36311	2B20	4	1370 - 1	R46414	1I18	12	0422 - 9
R28782	1K6	22	0960 - 3	R36311	3C14	25	3160 - 31	R46472	1G16	4	0410 - 2
R28782	1K8	25	0960 - 5	R36590	2I20	34	1830 - 11	R46479	1H24	9	0418 - 3
R28782	1K13	15	0960 - 11	R36664	1C20	16	0250 - 3	R46479	1J4	17	0452 - 3
R28782	1K19	4	1011 - 2	R375R	1B25	15	0210 - 17	R46528	2G5	6	1810 - 2
R28782	1K24	36	1060 - 5	R375R	2B11	..	1369 - 3	R46528	2I25	4	1830 - 16
R28782	1L3	1	1115 - 3	R38454	1D7	2	0315 - 3	R46528	2J10	3	1910 - 2
R28782	2B13	..	1369 - 5	R39112	1B25	1	0210 - 17	R47074	1F15	1	0404 - 1
R28782	3C10	23	3160 - 27	R39112	1D2	22	0260 - 3	R47150	1D2	21	0260 - 3
R28782	3D11	4	3160 - 55	R39112	3D6	9	3160 - 49	R47151	1G5	12	0407 - 7
R28811	1J2	3	0433 - 1	R39112	3D7	6	3160 - 50	R47151	3D12	10	3160 - 56
R29463	2B13	..	1369 - 5	R394R	2B11	..	1369 - 3	R47151	3D13	1	3160 - 57
R29477	1B4	4	0110 - 3	R39741	1F17	4	0404 - 3	R47151	3D14	1	3160 - 58
R29477	1B6	4	0110 - 5	R39741	1F23	4	0404 - 9	R47153	1H21	4	0417 - 5
R29479	1B4	1	0110 - 3	R39832	1H7	9	0413 - 16	R47154	2F12	1	1676 - 3
R29479	1B6	1	0110 - 5	R41076	1D9	4	0315 - 5	R47172	1B12	19	0210 - 3
R29480	1B4	2	0110 - 3	R41285	1H19	7	0417 - 3	R47172	1C2	2	0210 - 19
R29480	1B6	2	0110 - 5	R41440	2I22	5	1830 - 13	R47172	1C3	2	0210 - 20
R29867	1K13	27	0960 - 11	R41934	1F8	1	0401 - 1	R47172	1C4	2	0210 - 21
R29936	1E24	5	0360 - 3	R42227	1B23	5	0210 - 15	R47235	2B7	..	1330 - 1
R29936	1K3	9	0930 - 3	R42340	1F17	9	0404 - 3	R47693	1J8	5	0505 - 4
R29936	1K6	8	0960 - 3	R42340	1F23	7	0404 - 9	R47998	1K16	7	0960 - 15
R29936	2B13	..	1369 - 5	R42365	1F17	17	0404 - 3	R48638	2B13	..	1369 - 5
R29936	3C18	20	3160 - 35	R42365	1F23	14	0404 - 9	R48723	1J13	9	0520 - 1



# 1L15

LX150 LOADER

## NUMERICAL INDEX - CONTINUED

PART NO.	GRID	KEY	PAGE	PART NO.	GRID	KEY	PAGE	PART NO.	GRID	KEY	PAGE
R48733	1B17	18	0210 - 9	R51196	1B17	12	0210 - 9	R54025	1I10	2	0421 - 2
R48733	1B19	16	0210 - 11	R51196	1B19	10	0210 - 11	R54123	1J8	4	0505 - 4
R48734	1B17	18	0210 - 9	R51197	1B17	12	0210 - 9	R54380	1B25	9	0210 - 17
R48734	1B19	16	0210 - 11	R51197	1B19	10	0210 - 11	R54380	1B25	14	0210 - 17
R48735	1B17	18	0210 - 9	R51198	1B17	12	0210 - 9	R54380	1C20	4	0250 - 3
R48735	1B19	16	0210 - 11	R51198	1B19	10	0210 - 11	R54445	2G8	3	1810 - 5
R48776	1B17	20	0210 - 9	R51199	1B17	12	0210 - 9	R54445	2G8	4	1810 - 5
R48776	1B19	17	0210 - 11	R51199	1B19	10	0210 - 11	R54445	2G8	6	1810 - 5
R48887	2E13	17	1674 - 51	R51494	1C6	..	0210 - 23	R54500	1G16	8	0410 - 2
R48887	2F2	17	1674 - 67	R51494	1C8	..	0210 - 25	R54500	1H15	1	0416 - 3
R49377	1G5	1	0407 - 7	R51603	1J4	14	0452 - 3	R54565	1F12	1	0402 - 3
R49377	1G9	1	0407 - 11	R51659	1I14	7	0422 - 5	R54853	1H4	17	0413 - 13
R49377	1G11	1	0407 - 13	R51660	1I14	5	0422 - 5	R54854	1H4	16	0413 - 13
R49377	1J4	32	0452 - 3	R51661	1I16	22	0422 - 7	R54856	1H4	14	0413 - 13
R49464	1G7	10	0407 - 9	R51662	1I17	17	0422 - 8	R54856	2F14	2	1676 - 5
R49465	1G7	14	0407 - 9	R51664	1I15	19	0422 - 6	R54857	1H4	11	0413 - 13
R495R	2B11	..	1369 - 3	R51665	1I16	16	0422 - 7	R54858	1H4	12	0413 - 13
R49672	1I4	1	0420 - 3	R51666	1I16	15	0422 - 7	R54859	1H4	10	0413 - 13
R49672	1I8	1	0420 - 7	R51667	1I16	8	0422 - 7	R54873	1H4	21	0413 - 13
R49866	1F13	4	0402 - 4	R51669	1I17	14	0422 - 8	R54881	1H4	15	0413 - 13
R49866	1J4	16	0452 - 3	R51671	1I17	5	0422 - 8	R54922	1H6	14	0413 - 15
R50354	1G12	3	0407 - 14	R51936	1G17	1	0413 - 1	R55233	1G7	6	0407 - 9
R50405	1H13	2	0414 - 3	R51936	1G21	21	0413 - 5	R55395	1F17	7	0404 - 3
R50405	1J4	3	0452 - 3	R51936	1G21	26	0413 - 5	R55395	1G7	19	0407 - 9
R50639	2G24	3	1810 - 21	R51936	1H9	1	0413 - 19	R55396	1F17	2	0404 - 3
R50891	1I14	13	0422 - 5	R51937	1G21	19	0413 - 5	R55396	1G17	8	0413 - 1
R50891	1I16	2	0422 - 7	R51937	1G21	32	0413 - 5	R55396	1H7	5	0413 - 16
R50892	1I16	3	0422 - 7	R52387	1I16	11	0422 - 7	R55396	1H9	9	0413 - 19
R50893	1I16	12	0422 - 7	R52389	1C20	12	0250 - 3	R56012	2C6	1	1672 - 2
R50894	1I17	11	0422 - 8	R52389	1C22	9	0250 - 5	R56289	1B14	1	0210 - 5
R50897	1I16	10	0422 - 7	R52389	1C24	9	0250 - 7	R56298	1B23	7	0210 - 15
R50899	1I15	11	0422 - 6	R52725	2C24	4	1674 - 10	R56305	1C8	8	0210 - 25
R50899	1I17	20	0422 - 8	R52725	2D9	2	1674 - 21	R56308	1B17	13	0210 - 9
R50900	1I16	1	0422 - 7	R53014	1F23	21	0404 - 9	R56308	1B19	11	0210 - 11
R50901	1I16	20	0422 - 7	R53108	1I11	1	0422 - 1	R56397	3D17	10	3160 - 61
R50902	1I16	5	0422 - 7	R53108	1J4	36	0452 - 3	R56397	3D23	10	3160 - 67
R50903	1I16	6	0422 - 7	R53292	1F14	5	0403 - 1	R56407	1G9	13	0407 - 11
R50905	1I16	23	0422 - 7	R53296	2F16	1	1740 - 2	R56407	1G11	13	0407 - 13
R50906	1I16	18	0422 - 7	R53422	2I20	29	1830 - 11	R56461	2B13	..	1369 - 5
R50907	1I15	5	0422 - 6	R53528	2H5	3	1810 - 28	R56463	2B13	..	1369 - 5
R50909	1I15	12	0422 - 6	R53543	2B13	..	1369 - 5	R56751	2B13	..	1369 - 5
R50910	1I17	21	0422 - 8	R53579	1K18	1	1011 - 1	R56792	1I17	2	0422 - 8
R50912	1I14	8	0422 - 5	R53869	1E6	5	0350 - 19	R56793	1I17	3	0422 - 8
R50913	1I15	2	0422 - 6	R53869	1E6	16	0350 - 19	R56802	1I15	13	0422 - 6
R50914	1I15	7	0422 - 6	R53869	1E10	57	0350 - 23	R57158	1F17	19	0404 - 3
R50915	1I15	8	0422 - 6	R53899	1H4	5	0413 - 13	R57158	1F23	16	0404 - 9
R50916	1I15	3	0422 - 6	R53899	1I8	6	0420 - 7	R57159	1F17	19	0404 - 3
R50917	1I15	10	0422 - 6	R53899	1J4	27	0452 - 3	R57159	1F23	16	0404 - 9
R50918	1I15	14	0422 - 6	R53901	1H4	2	0413 - 13	R57583	1F14	7	0403 - 1
R50919	1I15	15	0422 - 6	R53901	1I4	7	0420 - 3	R57584	1F9	3	0401 - 2
R50920	1I15	9	0422 - 6	R53901	1J4	27	0452 - 3	R57696	1G2	3	0407 - 3
R50921	1I15	18	0422 - 6	R53918	1H6	8	0413 - 15	R57696	1H24	18	0418 - 3
R50922	1I15	16	0422 - 6	R53955	1H6	15	0413 - 15	R57771	1F14	2	0403 - 1
R50923	1I14	1	0422 - 5	R53976	1H6	2	0413 - 15	R58109	1G16	5	0410 - 2
R50924	1I14	2	0422 - 5	R54011	1I9	9	0421 - 1	R58186	1G21	5	0413 - 5
R50925	1I14	3	0422 - 5	R54013	1E10	59	0350 - 23	R58186	1G21	9	0413 - 5
R50927	1I14	14	0422 - 5	R54013	1E10	63	0350 - 23	R58449	1J2	4	0433 - 1
R50928	1I14	17	0422 - 5	R54013	1I9	8	0421 - 1	R58775	1C10	10	0210 - 27
R50929	1I14	15	0422 - 5	R54015	1I9	11	0421 - 1	R59289	1C6	4	0210 - 23
R50930	1I14	12	0422 - 5	R54021	1I9	14	0421 - 1	R59289	1C10	26	0210 - 27
R50931	1I14	9	0422 - 5	R54022	1I9	1	0421 - 1	R59290	1C10	18	0210 - 27
R50931	1I15	20	0422 - 6	R54022	1I10	4	0421 - 2	R59297	1G21	8	0413 - 5
R51031	1K3	11	0930 - 3	R54023	1I9	2	0421 - 1	R59297	1G21	10	0413 - 5
R51031	1K6	23	0960 - 3	R54023	1I10	3	0421 - 2	R59298	1G21	8	0413 - 5
R51031	1K24	35	1060 - 5	R54024	1I9	4	0421 - 1	R59298	1G21	10	0413 - 5
R51031	3D11	7	3160 - 55	R54024	1I10	14	0421 - 2	R59305	1G21	5	0413 - 5
R51133	1I6	2	0420 - 5	R54025	1I9	3	0421 - 1	R59305	1G21	9	0413 - 5

# 1L16

LX150 LOADER

## NUMERICAL INDEX - CONTINUED

PART NO.	GRID	KEY	PAGE	PART NO.	GRID	KEY	PAGE	PART NO.	GRID	KEY	PAGE
R59419	1C2	10	0210 - 19	R63669	2H7	7	1810 - 31	R68053	1G19	5	0413 - 3
R59419	1C3	10	0210 - 20	R63669	2H9	7	1810 - 33	R68170	1C6	7	0210 - 23
R59419	1C4	12	0210 - 21	R63670	2H7	8	1810 - 31	R68170	1C10	22	0210 - 27
R59439	1C22	10	0250 - 5	R63670	2H9	8	1810 - 33	R68222	1I17	8	0422 - 8
R59439	1C24	10	0250 - 7	R63671	2H7	10	1810 - 31	R68224	1I17	1	0422 - 8
R59440	1C22	10	0250 - 5	R63671	2H9	10	1810 - 33	R68275	1H6	24	0413 - 15
R59440	1C24	10	0250 - 7	R63845	1G16	2	0410 - 2	R68275	1H6	25	0413 - 15
R59460	1C6	5	0210 - 23	R63845	1G17	6	0413 - 1	R68275	1H7	1	0413 - 16
R59460	1C10	19	0210 - 27	R63845	1H7	3	0413 - 16	R68275	1H9	18	0413 - 19
R60038	1C10	14	0210 - 27	R63845	1H9	7	0413 - 19	R68435	1H4	23	0413 - 13
R60044	1C8	5	0210 - 25	R64700	2J21	6	2004 - 2	R68438	1H6	13	0413 - 15
R60045	1C8	6	0210 - 25	R64854	1H2	2	0413 - 11	R68615	1C10	11	0210 - 27
R60170	2I20	36	1830 - 11	R64857	1G22	2	0413 - 6	R68616	1C10	12	0210 - 27
R60332	2B13	..	1369 - 5	R64861	1I9	10	0421 - 1	R68715	1H6	20	0413 - 15
R60472	1F9	3	0401 - 2	R64861	1I10	6	0421 - 2	R68716	1H6	18	0413 - 15
R60473	1F9	3	0401 - 2	R64926	1G22	8	0413 - 6	R69089	1G19	2	0413 - 3
R60474	1F9	3	0401 - 2	R64926	1G23	7	0413 - 7	R69532	1C6	..	0210 - 23
R60475	1F9	3	0401 - 2	R64927	1G22	10	0413 - 6	R69532	1C8	..	0210 - 25
R60485	1F14	7	0403 - 1	R64927	1H2	6	0413 - 11	R69536	3C23	3	3160 - 40
R60486	1F14	7	0403 - 1	R64968	1G23	1	0413 - 7	R70111	1C6	11	0210 - 23
R60487	1F14	7	0403 - 1	R64969	1G23	4	0413 - 7	R70111	1C10	25	0210 - 27
R60488	1F14	7	0403 - 1	R64995	1G23	12	0413 - 7	R70112	1C6	9	0210 - 23
R60914	1H6	16	0413 - 15	R64997	1G23	10	0413 - 7	R70112	1C10	20	0210 - 27
R60921	1H6	11	0413 - 15	R65553	1F12	3	0402 - 3	R70113	1C6	6	0210 - 23
R61144	1G21	5	0413 - 5	R65602	2E15	49	1674 - 53	R70113	1C10	23	0210 - 27
R61144	1G21	9	0413 - 5	R65602	2F4	49	1674 - 69	R70114	1C6	10	0210 - 23
R61145	1G21	8	0413 - 5	R65607	2E15	46	1674 - 53	R70114	1C10	24	0210 - 27
R61288	1F17	22	0404 - 3	R65607	2F4	46	1674 - 69	R70115	1C6	8	0210 - 23
R61288	1F23	19	0404 - 9	R66117	1I18	9	0422 - 9	R70115	1C10	21	0210 - 27
R61289	1F9	3	0401 - 2	R66320	2E13	24	1674 - 51	R70135	1I9	5	0421 - 1
R61461	1C22	10	0250 - 5	R66320	2F2	24	1674 - 67	R70135	1I10	1	0421 - 2
R61461	1C24	10	0250 - 7	R66321	2E13	24	1674 - 51	R70210	2E15	41	1674 - 53
R61497	1G13	1	0409 - 1	R66321	2F2	24	1674 - 67	R70210	2F4	41	1674 - 69
R61608	1F9	3	0401 - 2	R66452	1F14	4	0403 - 1	R70211	2E15	40	1674 - 53
R61609	1F9	3	0401 - 2	R67092	1I4	2	0420 - 3	R70211	2F4	40	1674 - 69
R61610	1F9	3	0401 - 2	R67092	1I4	5	0420 - 3	R70212	2E15	41	1674 - 53
R61611	1F9	3	0401 - 2	R67092	1I6	3	0420 - 5	R70212	2F4	41	1674 - 69
R62107	1H4	22	0413 - 13	R67092	1I8	2	0420 - 7	R70213	2E15	40	1674 - 53
R62465	1C2	3	0210 - 19	R67092	1I8	4	0420 - 7	R70213	2F4	40	1674 - 69
R62465	1C3	3	0210 - 20	R67230	1J22	6	0570 - 2	R70214	2E15	41	1674 - 53
R62673	1I13	3	0422 - 3	R67264	1G17	13	0413 - 1	R70214	2F4	41	1674 - 69
R62673	1I20	3	0422 - 11	R67264	1H9	14	0413 - 19	R70215	2E15	40	1674 - 53
R62930	1F17	16	0404 - 3	R67364	1G17	3	0413 - 1	R70215	2F4	40	1674 - 69
R62930	1F23	13	0404 - 9	R67364	1H9	5	0413 - 19	R70216	2E15	41	1674 - 53
R62930	1G2	1	0407 - 3	R67380	1H7	2	0413 - 16	R70216	2F4	41	1674 - 69
R62938	1G2	8	0407 - 3	R67380	1H9	6	0413 - 19	R70217	2E15	40	1674 - 53
R62986	1F9	1	0401 - 2	R67877	1H4	24	0413 - 13	R70217	2F4	40	1674 - 69
R62987	1F9	2	0401 - 2	R67879	1H4	28	0413 - 13	R70218	2E15	41	1674 - 53
R62988	1F9	2	0401 - 2	R67879	1I9	15	0421 - 1	R70218	2F4	41	1674 - 69
R63002	1F9	2	0401 - 2	R67879	1I10	15	0421 - 2	R70219	2E15	40	1674 - 53
R63003	1F9	2	0401 - 2	R68035	1G19	1	0413 - 3	R70219	2F4	40	1674 - 69
R63004	1F9	2	0401 - 2	R68036	1G19	4	0413 - 3	R70220	2E15	50	1674 - 53
R63005	1F9	2	0401 - 2	R68037	1G19	4	0413 - 3	R70220	2F4	50	1674 - 69
R63006	1F9	2	0401 - 2	R68038	1G19	4	0413 - 3	R70221	2E15	39	1674 - 53
R63007	1F9	2	0401 - 2	R68039	1G19	4	0413 - 3	R70221	2F4	39	1674 - 69
R63008	1F9	2	0401 - 2	R68040	1G19	4	0413 - 3	R70222	2E15	38	1674 - 53
R63009	1F9	2	0401 - 2	R68041	1G19	4	0413 - 3	R70222	2F4	38	1674 - 69
R63010	1F9	1	0401 - 2	R68042	1G19	4	0413 - 3	R70268	1F17	18	0404 - 3
R63016	1H4	7	0413 - 13	R68043	1G19	4	0413 - 3	R70268	1F23	15	0404 - 9
R63065	1H4	13	0413 - 13	R68044	1G19	4	0413 - 3	R70452	1B17	9	0210 - 9
R63326	1F8	2	0401 - 1	R68045	1G19	4	0413 - 3	R70453	1B17	10	0210 - 9
R63666	2H7	4	1810 - 31	R68046	1G19	4	0413 - 3	R70454	1B23	3	0210 - 15
R63666	2H9	4	1810 - 33	R68047	1G19	4	0413 - 3	R70513	3C8	4	3160 - 25
R63667	2H7	5	1810 - 31	R68048	1G19	4	0413 - 3	R70513	3C8	39	3160 - 25
R63667	2H9	5	1810 - 33	R68049	1G19	4	0413 - 3	R70532	1C10	13	0210 - 27
R63668	2H7	6	1810 - 31	R68050	1G19	4	0413 - 3	R70826	1F12	6	0402 - 3
R63668	2H9	6	1810 - 33	R68052	1G19	4	0413 - 3	R71074	1F14	6	0403 - 1

# 1L17

LX150 LOADER

## NUMERICAL INDEX - CONTINUED

PART NO.	GRID	KEY	PAGE	PART NO.	GRID	KEY	PAGE	PART NO.	GRID	KEY	PAGE
R71196	2J6	14	1830 - 22	R77456	2F2	27	1674 - 67	R77490	2E15	51	1674 - 53
R71197	2J6	10	1830 - 22	R77457	2E13	29	1674 - 51	R77490	2F4	51	1674 - 69
R71208	1F12	7	0402 - 3	R77457	2F2	29	1674 - 67	R77491	2E15	54	1674 - 53
R71212	1G21	8	0413 - 5	R77458	2E13	28	1674 - 51	R77491	2F4	54	1674 - 69
R71225	1H21	1	0417 - 5	R77458	2F2	28	1674 - 67	R77492	2E15	54	1674 - 53
R71315	1H21	5	0417 - 5	R77459	2E13	28	1674 - 51	R77492	2F4	54	1674 - 69
R71361	1H21	10	0417 - 5	R77459	2F2	28	1674 - 67	R77493	2E15	51	1674 - 53
R71361	1H22	1	0417 - 6	R77460	2E13	28	1674 - 51	R77493	2F4	51	1674 - 69
R71398	1G21	8	0413 - 5	R77460	2F2	28	1674 - 67	R77494	2E15	55	1674 - 53
R71398	1G21	9	0413 - 5	R77461	2E13	28	1674 - 51	R77494	2F4	55	1674 - 69
R71596	1H21	2	0417 - 5	R77461	2F2	28	1674 - 67	R77495	2E15	52	1674 - 53
R71732	2B13	..	1369 - 5	R77462	2E13	25	1674 - 51	R77495	2F4	52	1674 - 69
R71918	1J4	31	0452 - 3	R77462	2F2	25	1674 - 67	R77496	2E15	52	1674 - 53
R72328	1C1	2	0210 - 18	R77463	2E13	30	1674 - 51	R77496	2F4	52	1674 - 69
R72328	1H19	3	0417 - 3	R77463	2F2	30	1674 - 67	R77497	2E15	53	1674 - 53
R72328	1H24	22	0418 - 3	R77464	2E13	26	1674 - 51	R77497	2F4	53	1674 - 69
R72328	1J4	12	0452 - 3	R77464	2F2	26	1674 - 67	R77498	2E13	24	1674 - 51
R72659	1E24	12	0360 - 3	R77465	2E13	31	1674 - 51	R77498	2F2	24	1674 - 67
R72659	3D8	8	3160 - 52	R77465	2F2	31	1674 - 67	R77499	2E13	24	1674 - 51
R72853	1F11	12	0402 - 2	R77466	2E13	33	1674 - 51	R77499	2F2	24	1674 - 67
R72853	1H24	25	0418 - 3	R77466	2F2	33	1674 - 67	R77500	2E13	24	1674 - 51
R73008	1C6	2	0210 - 23	R77467	2E13	34	1674 - 51	R77500	2F2	24	1674 - 67
R73008	1C8	11	0210 - 25	R77467	2F2	34	1674 - 67	R77501	2E13	24	1674 - 51
R73013	1C20	18	0250 - 3	R77468	2E13	32	1674 - 51	R77501	2F2	24	1674 - 67
R73189	2J6	1	1830 - 22	R77468	2F2	32	1674 - 67	R77502	2E15	56	1674 - 53
R73290	1B17	5	0210 - 9	R77469	2E15	35	1674 - 53	R77502	2F4	56	1674 - 69
R73290	1B19	5	0210 - 11	R77469	2F4	35	1674 - 69	R77503	2E15	56	1674 - 53
R73290	1B21	5	0210 - 13	R77470	2E15	45	1674 - 53	R77503	2F4	56	1674 - 69
R73290	1C20	2	0250 - 3	R77470	2F4	45	1674 - 69	R77536	1G22	3	0413 - 6
R73498	1J6	11	0505 - 1	R77471	2E15	45	1674 - 53	R77551	1G21	17	0413 - 5
R73498	1J7	4	0505 - 2	R77471	2F4	45	1674 - 69	R77551	1G21	18	0413 - 5
R73599	1H15	10	0416 - 3	R77472	2E15	45	1674 - 53	R77551	1J4	15	0452 - 3
R73817	1G22	4	0413 - 6	R77472	2F4	45	1674 - 69	R77673	1H24	15	0418 - 3
R73820	1G22	6	0413 - 6	R77473	2E15	45	1674 - 53	R77673	1H24	20	0418 - 3
R73821	1E8	29	0350 - 21	R77473	2F4	45	1674 - 69	R78047	2E17	3	1674 - 55
R73821	1G22	5	0413 - 6	R77474	2E15	44	1674 - 53	R78047	2F6	3	1674 - 71
R73858	1G17	11	0413 - 1	R77474	2F4	44	1674 - 69	R78048	2E17	10	1674 - 55
R73858	1H9	12	0413 - 19	R77475	2E13	13	1674 - 51	R78048	2F6	10	1674 - 71
R73864	1G22	7	0413 - 6	R77475	2F2	13	1674 - 67	R78049	2E17	15	1674 - 55
R73873	1G23	9	0413 - 7	R77476	2E13	3	1674 - 51	R78049	2F6	15	1674 - 71
R73878	1G23	8	0413 - 7	R77476	2F2	3	1674 - 67	R78050	2E17	19	1674 - 55
R73879	1G23	11	0413 - 7	R77477	2E13	4	1674 - 51	R78050	2F6	19	1674 - 71
R73885	1G23	14	0413 - 7	R77477	2F2	4	1674 - 67	R78051	2E17	24	1674 - 55
R74008	1F14	3	0403 - 1	R77478	2E13	15	1674 - 51	R78051	2F6	24	1674 - 71
R74030	1G21	9	0413 - 5	R77478	2F2	15	1674 - 67	R78052	2E17	5	1674 - 55
R74372	1B12	4	0210 - 3	R77479	2E13	5	1674 - 51	R78052	2F6	5	1674 - 71
R74804	1G21	9	0413 - 5	R77479	2F2	5	1674 - 67	R78053	2E17	13	1674 - 55
R75272	1H10	5	0421 - 2	R77480	2E13	6	1674 - 51	R78053	2F6	13	1674 - 71
R76139	1H17	16	0422 - 8	R77480	2F2	6	1674 - 67	R78054	2E17	17	1674 - 55
R76337	2F13	2	1676 - 4	R77481	2E13	7	1674 - 51	R78054	2F6	17	1674 - 71
R76491	1G15	15	0409 - 3	R77481	2F2	7	1674 - 67	R78055	2E17	22	1674 - 55
R76617	1D24	12	0350 - 13	R77482	2E13	8	1674 - 51	R78055	2F6	22	1674 - 71
R76822	1G17	15	0413 - 1	R77482	2F2	8	1674 - 67	R78056	2E17	26	1674 - 55
R76822	1H9	16	0413 - 19	R77483	2E13	16	1674 - 51	R78056	2F6	26	1674 - 71
R77389	2J2	15	1830 - 18	R77483	2F2	16	1674 - 67	R78057	2E17	2	1674 - 55
R77390	2J2	14	1830 - 18	R77484	2E13	19	1674 - 51	R78057	2F6	2	1674 - 71
R77391	2J2	8	1830 - 18	R77484	2F2	19	1674 - 67	R78058	2E17	23	1674 - 55
R77392	2J2	9	1830 - 18	R77485	2E13	21	1674 - 51	R78058	2F6	23	1674 - 71
R77393	2J2	10	1830 - 18	R77485	2F2	21	1674 - 67	R78059	2E17	1	1674 - 55
R77394	2J2	12	1830 - 18	R77486	2E13	22	1674 - 51	R78059	2F6	1	1674 - 71
R77396	2J5	7	1830 - 21	R77486	2F2	22	1674 - 67	R78060	2E17	2	1674 - 55
R77397	2J5	2	1830 - 21	R77487	2E13	23	1674 - 51	R78060	2E17	9	1674 - 55
R77398	2J2	3	1830 - 18	R77487	2F2	23	1674 - 67	R78060	2F6	2	1674 - 71
R77399	2J5	4	1830 - 21	R77488	2E15	51	1674 - 53	R78060	2F6	9	1674 - 71
R77400	2J2	6	1830 - 18	R77488	2F4	51	1674 - 69	R78061	2E17	6	1674 - 55
R77401	2J2	5	1830 - 18	R77489	2E15	51	1674 - 53	R78061	2E17	23	1674 - 55
R77456	2E13	27	1674 - 51	R77489	2F4	51	1674 - 69	R78061	2F6	6	1674 - 71

# 1L18

LX150 LOADER

## NUMERICAL INDEX - CONTINUED

PART NO.	GRID	KEY	PAGE	PART NO.	GRID	KEY	PAGE	PART NO.	GRID	KEY	PAGE
R78061	2F6	23	1674 - 71	R84472	1G21	15	0413 - 5	R88993	1H13	5	0414 - 3
R78062	2E17	1	1674 - 55	R84472	1J4	14	0452 - 3	R88993	1J4	1	0452 - 3
R78062	2F6	1	1674 - 71	R84618	1G15	16	0409 - 3	R88995	1H13	9	0414 - 3
R78063	2E17	1	1674 - 55	R84619	1G15	17	0409 - 3	R89118	1C10	15	0210 - 27
R78063	2E17	7	1674 - 55	R84946	1G7	9	0407 - 9	R89140	1C6	14	0210 - 23
R78063	2F6	1	1674 - 71	R84946	1G7	23	0407 - 9	R89140	1C8	3	0210 - 25
R78063	2F6	7	1674 - 71	R84947	1G7	23	0407 - 9	R89439	1H24	14	0418 - 3
R78064	2E17	27	1674 - 55	R84993	1C10	3	0210 - 27	R89632	3C14	8	3160 - 31
R78064	2F6	27	1674 - 71	R84997	1C20	17	0250 - 3	R89634	3C14	7	3160 - 31
R78065	2E19	3	1674 - 57	R85027	1F12	14	0402 - 3	R89790	1H11	6	0414 - 1
R78065	2F8	3	1674 - 73	R85128	1H22	2	0417 - 6	R89879	1H15	5	0416 - 3
R78066	2E19	2	1674 - 57	R85225	1C6	12	0210 - 23	R89879	1J4	7	0452 - 3
R78066	2F8	2	1674 - 73	R85225	1C8	1	0210 - 25	R89927	1I4	10	0420 - 3
R78069	2E19	1	1674 - 57	R85225	1C10	16	0210 - 27	R89927	1I8	12	0420 - 7
R78069	2F8	1	1674 - 73	R85226	1C6	13	0210 - 23	R89940	1K11	1	0960 - 9
R78079	1I10	8	0421 - 2	R85226	1C8	2	0210 - 25	R90529	1G19	4	0413 - 3
R78773	1G22	12	0413 - 6	R85226	1C10	17	0210 - 27	R90530	1G19	4	0413 - 3
R78774	1G22	11	0413 - 6	R85228	3C16	10	3160 - 33	R90531	1G19	4	0413 - 3
R78975	1E20	15	0350 - 33	R85229	3C14	12	3160 - 31	R90532	1G19	4	0413 - 3
R79033	2I10	8	1830 - 1	R85230	3C14	9	3160 - 31	R90533	1G19	4	0413 - 3
R79033	2I12	5	1830 - 3	R85230	3C16	6	3160 - 33	R90534	1G19	4	0413 - 3
R79033	2I24	8	1830 - 15	R85555	3C16	1	3160 - 33	R90535	1G19	4	0413 - 3
R79060	1H7	12	0413 - 16	R85555	3C16	15	3160 - 33	R90536	1G19	4	0413 - 3
R79101	1K11	15	0960 - 9	R85556	3C14	1	3160 - 31	R90537	1G19	4	0413 - 3
R79187	1G2	10	0407 - 3	R85556	3C14	16	3160 - 31	R90538	1G19	4	0413 - 3
R79604	1G21	23	0413 - 5	R85688	2J2	7	1830 - 18	R90539	1G19	4	0413 - 3
R79605	1G21	24	0413 - 5	R86007	1H24	10	0418 - 3	R90540	1G19	4	0413 - 3
R79606	1G21	25	0413 - 5	R86029	1G16	12	0410 - 2	R90541	1G19	4	0413 - 3
R79846	1I23	4	0429 - 1	R86061	1H24	3	0418 - 3	R90542	1G19	4	0413 - 3
R79915	1J4	23	0452 - 3	R86062	1H24	26	0418 - 3	R90543	1G19	4	0413 - 3
R79915	1J22	7	0570 - 2	R86062	1J4	11	0452 - 3	R90544	1G19	4	0413 - 3
R79989	1C22	10	0250 - 5	R86091	1H13	3	0414 - 3	R90995	1H13	1	0414 - 3
R79989	1C24	10	0250 - 7	R86102	3C14	19	3160 - 31	R91466	1H13	12	0414 - 3
R80048	1B13	1	0210 - 4	R86102	3C16	17	3160 - 33	R91730	1K11	13	0960 - 9
R80157	2F10	1	1676 - 1	R86103	3C14	18	3160 - 31	R91822	1G15	4	0409 - 3
R80521	3C14	15	3160 - 31	R86103	3C16	14	3160 - 33	R92097	1J4	6	0452 - 3
R80521	3C16	13	3160 - 33	R86192	3C14	14	3160 - 31	R92305	1G16	10	0410 - 2
R80632	2B13	..	1369 - 5	R86192	3C16	12	3160 - 33	R92622	1C8	4	0210 - 25
R81295	1H6	25	0413 - 15	R86743	1H11	1	0414 - 1	R92645	1G9	10	0407 - 11
R81766	1K11	6	0960 - 9	R86743	1H13	4	0414 - 3	R92801	1B14	1	0210 - 5
R81771	1K11	17	0960 - 9	R86743	1J4	4	0452 - 3	R92802	1B13	1	0210 - 4
R81776	1K11	4	0960 - 9	R86875	1G7	15	0407 - 9	R92802	1B15	1	0210 - 6
R81779	1K11	9	0960 - 9	R86886	1C2	1	0210 - 19	R93175	2I18	8	1830 - 9
R81788	1K11	8	0960 - 9	R86898	1H11	3	0414 - 1	R93219	2E18	6	1674 - 56
R81794	1K11	10	0960 - 9	R87082	1G21	18	0413 - 5	R93219	2F7	6	1674 - 72
R81856	1K11	14	0960 - 9	R87561	1F10	1	0402 - 1	R93220	2E18	6	1674 - 56
R81866	1K11	3	0960 - 9	R87561	1F17	21	0404 - 3	R93220	2F7	6	1674 - 72
R82007	1F17	20	0404 - 3	R87561	1F23	18	0404 - 9	R93221	2E18	6	1674 - 56
R82007	1F23	17	0404 - 9	R87565	1K4	2	0930 - 4	R93221	2F7	6	1674 - 72
R82175	1C20	14	0250 - 3	R87720	1J1	1	0429 - 4	R93222	2E18	6	1674 - 56
R82197	1C10	29	0210 - 27	R87732	1G16	7	0410 - 2	R93222	2F7	6	1674 - 72
R82719	1H24	15	0418 - 3	R88043	1G15	8	0409 - 3	R93308	1G15	16	0409 - 3
R82719	1H24	21	0418 - 3	R88379	1F17	24	0404 - 3	R93311	1G15	17	0409 - 3
R82921	1C20	13	0250 - 3	R88397	1H24	4	0418 - 3	R93312	1G15	16	0409 - 3
R83020	1G16	14	0410 - 2	R88397	1J4	13	0452 - 3	R93313	1G15	17	0409 - 3
R83020	1J4	8	0452 - 3	R88598	1B12	3	0210 - 3	R93314	1G15	16	0409 - 3
R83021	1G16	13	0410 - 2	R88599	1B12	12	0210 - 3	R93315	1G15	17	0409 - 3
R83021	1J4	10	0452 - 3	R88600	1B12	13	0210 - 3	R93349	1G15	13	0409 - 3
R83489	1I4	8	0420 - 3	R88602	1B21	10	0210 - 13	R93350	1G15	12	0409 - 3
R83489	1J4	27	0452 - 3	R88603	1B21	10	0210 - 13	R93616	1H13	11	0414 - 3
R83490	1H4	4	0413 - 13	R88604	1B21	10	0210 - 13	R93623	1C6	3	0210 - 23
R83490	1I8	7	0420 - 7	R88606	1B12	10	0210 - 3	R93623	1C10	5	0210 - 27
R83490	1J4	27	0452 - 3	R88607	1B21	16	0210 - 13	R93741	1I10	12	0421 - 2
R83576	1K11	16	0960 - 9	R88608	1B21	14	0210 - 13	R93742	1I10	13	0421 - 2
R84156	2I13	1	1830 - 4	R88609	1B21	14	0210 - 13	R93744	1I10	5	0421 - 2
R84262	1B25	13	0210 - 17	R88610	1B21	14	0210 - 13	R93745	1I10	7	0421 - 2
R84472	1G19	10	0413 - 3	R88611	1B21	11	0210 - 13	R93778	3C16	18	3160 - 33

# 1L19

LX150 LOADER

## NUMERICAL INDEX - CONTINUED

PART NO.	GRID	KEY	PAGE	PART NO.	GRID	KEY	PAGE	PART NO.	GRID	KEY	PAGE
R93779	3C14	11	3160 - 31	T101391	2F16	6	1740 - 2	T102872	2I20	20	1830 - 11
R93821	1I8	9	0420 - 7	T101480	3B8	9	3140 - 3	T102904	3D22	15	3160 - 66
R93822	1I8	10	0420 - 7	T101480	3B10	1	3140 - 5	T102933	2J15	2	1927 - 2
R93939	1C20	3	0250 - 3	T101505	2C13	2	1673 - 6	T102933	2J16	2	1927 - 3
R93948	1F14	11	0403 - 1	T101540	1K8	1	0960 - 5	T102934	2C4	4	1671 - 1
R94410	1G19	6	0413 - 3	T101551	1K8	5	0960 - 5	T102934	2C5	4	1671 - 2
R94412	1G19	7	0413 - 3	T101571	1K6	21	0960 - 3	T102934	2D9	3	1674 - 21
R94414	1G19	9	0413 - 3	T101572	1K6	7	0960 - 3	T102934	2D9	15	1674 - 21
R94615	1I2	8	0419 - 3	T101575	1K6	9	0960 - 3	T102934	2E8	4	1674 - 45
R94618	1I2	1	0419 - 3	T101634	3B4	1	3102 - 1	T102952	3C6	22	3160 - 23
R94618	1J4	33	0452 - 3	T101634	3B6	28	3102 - 3	T102952	3C8	25	3160 - 25
R94619	1I2	3	0419 - 3	T101635	2F19	5	1746 - 2	T102955	3C4	11	3160 - 21
R94619	1J4	29	0452 - 3	T101635	3B8	25	3140 - 3	T102955	3C8	29	3160 - 25
R96606	1H19	17	0417 - 3	T101696	2I6	2	1822 - 1	T102958	3C4	13	3160 - 21
R96616	1H19	18	0417 - 3	T101718	3B10	5	3140 - 5	T102958	3C8	31	3160 - 25
R96616	1H20	5	0417 - 4	T101723	1C14	6	0225 - 3	T102961	3C4	17	3160 - 21
R96616	1J4	28	0452 - 3	T101730	3D21	13	3160 - 65	T102974	3C6	32	3160 - 23
R96622	1H19	16	0417 - 3	T101736	1D11	3	0325 - 2	T102974	3C8	17	3160 - 25
R97061	1G21	30	0413 - 5	T101756	3B9	2	3140 - 4	T102975	3C6	33	3160 - 23
R97237	1I4	2	0420 - 3	T101807	2G10	10	1810 - 7	T102975	3C8	18	3160 - 25
R97237	1I8	2	0420 - 7	T101820	3D15	7	3160 - 59	T102978	1D9	15	0315 - 5
R97332	2I18	9	1830 - 9	T101942	2B5	9	1320 - 3	T103033	3D19	15	3160 - 63
R97333	2I18	10	1830 - 9	T101942	3D21	28	3160 - 65	T103088	3B16	13	3160 - 7
R97336	2I18	13	1830 - 9	T101955	2J10	9	1910 - 2	T103088	3B20	14	3160 - 11
R97704	1B23	8	0210 - 15	T101963	2J13	14	1921 - 1	T103088	3B24	3	3160 - 15
R97705	1C12	12	0210 - 29	T101975	2J13	5	1921 - 1	T103092	3C8	35	3160 - 25
R97707	1C12	16	0210 - 29	T102005	3C20	27	3160 - 37	T103093	3C8	36	3160 - 25
R97708	1C12	10	0210 - 29	T102054	1J11	8	0510 - 3	T103094	3C8	37	3160 - 25
R97709	1C12	11	0210 - 29	T102088	2F16	2	1740 - 2	T103095	3C6	36	3160 - 23
R97710	1C12	11	0210 - 29	T102108	1C18	1	0240 - 2	T103096	3C6	35	3160 - 23
R97711	1C12	11	0210 - 29	T102136	3B9	5	3140 - 4	T103097	3C6	29	3160 - 23
R97712	1C12	11	0210 - 29	T102137	3B10	4	3140 - 5	T103098	3C4	7	3160 - 21
R97998	1C20	7	0250 - 3	T102138	3C14	23	3160 - 31	T103100	3C4	5	3160 - 21
R98064	1I2	10	0419 - 3	T102140	3B10	2	3140 - 5	T103105	3C6	20	3160 - 23
R98527	1H21	3A	0417 - 5	T102171	3B6	6	3102 - 3	T103107	3C6	34	3160 - 23
R98669	3C16	7	3160 - 33	T102172	3B9	4	3140 - 4	T103189	3B6	19	3102 - 3
R99303	2C4	19	1671 - 1	T102207	3B9	1	3140 - 4	T103190	3B6	13	3102 - 3
R99303	2C5	12	1671 - 2	T102207	3C16	4	3160 - 33	T103238	2C23	5	1674 - 9
R99463	1F11	7	0402 - 2	T102246	3C23	4	3160 - 40	T103238	2D13	2	1674 - 25
R99464	1F11	14	0402 - 2	T102419	1F2	3	0360 - 5	T103247	2J13	18	1921 - 1
R99464	1J4	20	0452 - 3	T102428	3B16	5	3160 - 7	T103364	3B16	14	3160 - 7
R99545	1J1	1	0429 - 4	T102428	3B20	5	3160 - 11	T103364	3B20	15	3160 - 11
R99601	1I8	18	0420 - 7	T102428	3B24	5	3160 - 15	T103364	3B24	14	3160 - 15
R99602	1I8	19	0420 - 7	T102429	3B16	20	3160 - 7	T103365	3B16	15	3160 - 7
R99693	1I13	4	0422 - 3	T102430	3B16	2	3160 - 7	T103365	3B20	16	3160 - 11
R99693	1I20	4	0422 - 11	T102430	3B20	2	3160 - 11				
R99695	1I13	1	0422 - 3	T102430	3B24	2	3160 - 15				
R99695	1I20	1	0422 - 11	T102431	3B16	18	3160 - 7				
R99697	1I13	11	0422 - 3	T102434	3B24	10	3160 - 15				
R99697	1I20	11	0422 - 11	T102435	3B24	11	3160 - 15				
R99702	1I13	9	0422 - 3	T102436	3B16	4	3160 - 7				
R99702	1I20	9	0422 - 11	T102436	3B20	4	3160 - 11				
TH100591	3B25	3	3160 - 17	T102436	3B24	4	3160 - 15				
TH100591	3C4	1	3160 - 21	T102437	3B12	10	3160 - 3				
TH100665	1E8	3	0350 - 21	T102465	1K8	2	0960 - 5				
TH104056	1E14	45	0350 - 27	T102517	1C16	6	0225 - 5				
TH104056	1E16	32	0350 - 29	T102521	2I14	5	1830 - 5				
TY15130	2B8	..	1330 - 2	T102540	2J9	1	1910 - 1				
TY2615	2B6	5	1320 - 4	T102682	1K16	30	0960 - 15				
TY6128	2C4	11	1671 - 1	T102719	2J10	8	1910 - 2				
TY6128	2C5	15	1671 - 2	T102765	1K16	20	0960 - 15				
TY6305	2B8	..	1330 - 2	T102780	2E11	4	1674 - 48				
TY6350	1J21	8	0560 - 3	T102783	1K16	29	0960 - 15				
TY6626	2J2	16	1830 - 18	T102784	1K16	3	0960 - 15				
TY6750	2C6	6	1672 - 2	T102867	2I20	24	1830 - 11				
T100097	3C6	23	3160 - 23	T102868	2I24	28	1830 - 15				
T101108	2G10	13	1810 - 7	T102871	2I22	6	1830 - 13				

# 1L20

LX150 LOADER

## NUMERICAL INDEX - CONTINUED

PART NO.	GRID	KEY	PAGE	PART NO.	GRID	KEY	PAGE	PART NO.	GRID	KEY	PAGE
T103365	3B24	15	3160 - 15	T116475	1E16	9	0350 - 29	T116669	1E14	6	0350 - 27
T103366	3B16	17	3160 - 7	T116475	1E18	8	0350 - 31	T116669	1E16	8	0350 - 29
T103366	3B20	18	3160 - 11	T116476	1E16	29	0350 - 29	T116669	1E18	7	0350 - 31
T103366	3B24	17	3160 - 15	T116476	1E18	25	0350 - 31	T116670	1E14	6	0350 - 27
T103461	3D6	4	3160 - 49	T116477	1E18	11	0350 - 31	T116670	1E16	8	0350 - 29
T103461	3D21	4	3160 - 65	T116480	1E18	24	0350 - 31	T116670	1E18	7	0350 - 31
T103463	2E11	4	1674 - 48	T116486	1E14	21	0350 - 27	T116671	1E14	6	0350 - 27
T103464	3B14	1	3160 - 5	T116486	1E16	22	0350 - 29	T116671	1E16	8	0350 - 29
T103464	3B16	9	3160 - 7	T116486	1E18	18	0350 - 31	T116671	1E18	7	0350 - 31
T103464	3B20	9	3160 - 11	T116488	1E4	2	0350 - 17	T116672	1E14	6	0350 - 27
T103464	3B24	8	3160 - 15	T116494	1E18	16	0350 - 31	T116672	1E16	8	0350 - 29
T103834	2E11	4	1674 - 48	T116495	1D20	24	0350 - 9	T116672	1E18	7	0350 - 31
T104010	2C12	4	1673 - 5	T116497	1E14	4	0350 - 27	T116673	1E14	6	0350 - 27
T104011	2C11	4	1673 - 4	T116497	1E16	5	0350 - 29	T116673	1E16	8	0350 - 29
T104327	1J21	15	0560 - 3	T116497	1E18	4	0350 - 31	T116673	1E18	7	0350 - 31
T105690	3B6	18	3102 - 3	T116498	1D20	25	0350 - 9	T116674	1E14	6	0350 - 27
T105740	1C10	2	0210 - 27	T116500	1E18	13	0350 - 31	T116674	1E16	8	0350 - 29
T105773	3C20	28	3160 - 37	T116502	1D20	26	0350 - 9	T116674	1E18	7	0350 - 31
T106596	1C1	1	0210 - 18	T116516	1D17	3	0350 - 5	T116675	1E14	6	0350 - 27
T107116	2C5	11	1671 - 2	T116529	1D20	23	0350 - 9	T116675	1E16	8	0350 - 29
T107117	2C4	10	1671 - 1	T116540	1E16	10	0350 - 29	T116675	1E18	7	0350 - 31
T107117	2C5	14	1671 - 2	T116569	1D22	11	0350 - 11	T116676	1E14	6	0350 - 27
T107239	1K6	2	0960 - 3	T116569	1E24	23	0360 - 3	T116676	1E16	8	0350 - 29
T107255	1K6	4	0960 - 3	T116579	1E14	22	0350 - 27	T116676	1E18	7	0350 - 31
T107290	3B14	8	3160 - 5	T116579	1E16	23	0350 - 29	T116677	1E14	6	0350 - 27
T10745	2C6	3	1672 - 2	T116579	1E18	19	0350 - 31	T116677	1E16	8	0350 - 29
T108221	1K16	25	0960 - 15	T116580	1E14	24	0350 - 27	T116677	1E18	7	0350 - 31
T108221	2H10	4	1810 - 34	T116580	1E16	25	0350 - 29	T116858	1E14	31	0350 - 27
T108238	3B10	12	3140 - 5	T116580	1E18	21	0350 - 31	T116865	1E12	3	0350 - 25
T108328	3D4	9	3160 - 47	T116582	1E18	14	0350 - 31	T116869	1D20	1	0350 - 9
T108328	3D19	9	3160 - 63	T116584	1E18	2	0350 - 31	T116871	1E14	25	0350 - 27
T108337	2J20	4	2004 - 1	T116584	1E18	31	0350 - 31	T116871	1E16	26	0350 - 29
T108398	2C9	4	1673 - 2	T116584	1E18	34	0350 - 31	T116872	1E14	26	0350 - 27
T108427	2F20	2	1749 - 1	T116584	1E18	37	0350 - 31	T116872	1E16	27	0350 - 29
T108427	2F21	4	1749 - 2	T116585	1E18	2	0350 - 31	T116873	1E20	9	0350 - 33
T108427	2F22	4	1749 - 3	T116585	1E18	33	0350 - 31	T116875	1E20	3	0350 - 33
T108427	2F22	8	1749 - 3	T116585	1E18	34	0350 - 31	T116896	1E18	5	0350 - 31
T108427	2F23	5	1749 - 4	T116585	1E18	38	0350 - 31	T116899	1E20	11	0350 - 33
T108441	3C10	14	3160 - 27	T116586	1E18	2	0350 - 31	T116900	1E20	11	0350 - 33
T108442	1B2	3	0110 - 1	T116586	1E18	32	0350 - 31	T116901	1E20	11	0350 - 33
T108443	1B3	7	0110 - 2	T116586	1E18	34	0350 - 31	T116902	1E20	11	0350 - 33
T108443	1B4	10	0110 - 3	T116586	1E18	36	0350 - 31	T116907	1E20	12	0350 - 33
T108443	1B5	5	0110 - 4	T116587	1E14	12	0350 - 27	T116908	1E14	11	0350 - 27
T108443	1B6	10	0110 - 5	T116587	1E14	13	0350 - 27	T116908	1E16	13	0350 - 29
T108478	1D22	16	0350 - 11	T116587	1E16	14	0350 - 29	T116909	1E14	27	0350 - 27
T11180	1H15	12	0416 - 3	T116587	1E18	12	0350 - 31	T116909	1E16	28	0350 - 29
T112195	3B6	17	3102 - 3	T116598	1D22	8	0350 - 11	T116910	1E8	38	0350 - 21
T112196	3B6	15	3102 - 3	T116604	1D24	10	0350 - 13	T116912	1E14	19	0350 - 27
T11234	2G5	13	1810 - 2	T116604	1E2	1	0350 - 15	T116912	1E16	20	0350 - 29
T11234	2J19	3	2002 - 2	T116605	1E2	3	0350 - 15	T116913	1D20	16	0350 - 9
T114729	3D6	6	3160 - 49	T116613	1D17	1	0350 - 5	T116914	1E14	30	0350 - 27
T114729	3D21	6	3160 - 65	T116614	1D17	4	0350 - 5	T116915	1E20	8	0350 - 33
T115030	2J19	5	2002 - 2	T116664	1E14	6	0350 - 27	T116916	1E18	27	0350 - 31
T115031	2J19	7	2002 - 2	T116664	1E16	8	0350 - 29	T116918	1D22	7	0350 - 11
T116387	1E18	30	0350 - 31	T116664	1E18	7	0350 - 31	T116927	1E20	4	0350 - 33
T116387	1E18	35	0350 - 31	T116665	1E14	6	0350 - 27	T116927	1E20	11	0350 - 33
T116400	1E14	23	0350 - 27	T116665	1E16	8	0350 - 29	T116928	1E20	7	0350 - 33
T116400	1E16	24	0350 - 29	T116665	1E18	7	0350 - 31	T116929	1D20	18	0350 - 9
T116400	1E18	20	0350 - 31	T116666	1E14	6	0350 - 27	T116930	1D20	18	0350 - 9
T116416	1E6	6	0350 - 19	T116666	1E16	8	0350 - 29	T116931	1D20	18	0350 - 9
T116416	1E6	15	0350 - 19	T116666	1E18	7	0350 - 31	T116932	1D20	18	0350 - 9
T116416	1E10	51	0350 - 23	T116667	1E14	6	0350 - 27	T116933	1D20	18	0350 - 9
T116416	1E10	58	0350 - 23	T116667	1E16	8	0350 - 29	T116934	1D20	18	0350 - 9
T116450	1E2	7	0350 - 15	T116667	1E18	7	0350 - 31	T116935	1D20	18	0350 - 9
T116470	1E14	28	0350 - 27	T116668	1E14	6	0350 - 27	T116936	1D20	18	0350 - 9
T116475	1E14	7	0350 - 27	T116668	1E16	8	0350 - 29	T116937	1D20	18	0350 - 9
				T116668	1E18	7	0350 - 31	T116938	1D17	9	0350 - 5

# 1L21

LX150 LOADER

## NUMERICAL INDEX - CONTINUED

PART NO.	GRID	KEY	PAGE	PART NO.	GRID	KEY	PAGE	PART NO.	GRID	KEY	PAGE
T116938	1D20	18	0350 - 9	T119608	2G12	4	1810 - 9	T129978	2H10	3	1810 - 34
T116939	1D17	9	0350 - 5	T119618	1K16	14	0960 - 15	T130057	3B8	4	3140 - 3
T116939	1D20	18	0350 - 9	T119619	2G24	11	1810 - 21	T130058	3B8	4	3140 - 3
T116940	1E20	5	0350 - 33	T119638	2G16	2	1810 - 13	T130059	3B8	4	3140 - 3
T116962	1E2	5	0350 - 15	T119670	1D9	11	0315 - 5	T130060	3B8	3	3140 - 3
T116964	1D22	15	0350 - 11	T119676	1J9	2	0510 - 1	T130078	3B4	3	3102 - 1
T116966	1D22	3	0350 - 11	T119736	1J6	4	0505 - 1	T130079	3B4	5	3102 - 1
T116968	1D22	14	0350 - 11	T119748	1J11	23	0510 - 3	T130394	2G4	2	1810 - 1
T116969	1D20	15	0350 - 9	T119773	2G10	2	1810 - 7	T130395	2G4	4	1810 - 1
T116972	1E20	13	0350 - 33	T119773	2G14	2	1810 - 11	T130527	1C12	17	0210 - 29
T116973	1E20	1	0350 - 33	T119775	2G24	10	1810 - 21	T13119	1J6	12	0505 - 1
T116975	1E20	14	0350 - 33	T119791	2G18	3	1810 - 15	T13119	1J7	2	0505 - 2
T116976	1E20	14	0350 - 33	T120420	3C12	2	3160 - 29	T13119	2B13	..	1369 - 5
T116977	1E14	17	0350 - 27	T120536	2D9	8	1674 - 21	T13119	3B18	1	3160 - 9
T116977	1E16	18	0350 - 29	T120619	2C4	16	1671 - 1	T13119	3B22	1	3160 - 13
T116979	1E14	10	0350 - 27	T120619	2C5	17	1671 - 2	T13119	3C1	6	3160 - 18
T116979	1E16	12	0350 - 29	T120666	1K3	18	0930 - 3	T13119	3C2	7	3160 - 19
T116980	1E14	16	0350 - 27	T121028	3D6	3	3160 - 49	T131602	3C6	21	3160 - 23
T116980	1E16	17	0350 - 29	T121028	3D21	3	3160 - 65	T131602	3C8	27	3160 - 25
T116981	1E14	2	0350 - 27	T12275	2B13	..	1369 - 5	T131603	3C4	10	3160 - 21
T116981	1E14	36	0350 - 27	T122803	1E22	6	0350 - 35	T131604	3C8	41	3160 - 25
T116981	1E14	38	0350 - 27	T122806	1E14	35	0350 - 27	T131605	3C8	9	3160 - 25
T116981	1E14	41	0350 - 27	T122806	1E14	39	0350 - 27	T131616	3C4	16	3160 - 21
T116981	1E16	3	0350 - 29	T122806	1E16	34	0350 - 29	T131617	3C4	14	3160 - 21
T116981	1E16	16	0350 - 29	T122806	1E16	38	0350 - 29	T131617	3C8	32	3160 - 25
T116981	1E16	35	0350 - 29	T122833	1E18	28	0350 - 31	T131619	3C4	15	3160 - 21
T116981	1E16	37	0350 - 29	T122834	1D17	15	0350 - 5	T131688	1D20	20	0350 - 9
T116982	1E14	2	0350 - 27	T122979	2H9	12	1810 - 33	T131690	1E14	9	0350 - 27
T116982	1E14	37	0350 - 27	T123088	2C6	4	1672 - 2	T131690	1E16	11	0350 - 29
T116982	1E14	38	0350 - 27	T123090	1D17	9	0350 - 5	T131692	1E18	10	0350 - 31
T116982	1E14	40	0350 - 27	T123705	3D22	5	3160 - 66	T131696	1D20	11	0350 - 9
T116982	1E16	2	0350 - 29	T123706	3D16	5	3160 - 60	T131697	1D20	10	0350 - 9
T116982	1E16	3	0350 - 29	T123706	3D22	5	3160 - 66	T131700	1E14	14	0350 - 27
T116982	1E16	36	0350 - 29	T123709	1E24	22	0360 - 3	T131700	1E16	31	0350 - 29
T116982	1E16	37	0350 - 29	T123721	3C18	15	3160 - 35	T131713	1D20	22	0350 - 9
T116986	1E14	18	0350 - 27	T123721	3C22	9	3160 - 39	T131718	1D20	4	0350 - 9
T116986	1E16	19	0350 - 29	T123721	3D18	9	3160 - 62	T131719	1D20	29	0350 - 9
T116993	1E20	16	0350 - 33	T123938	1E2	6	0350 - 15	T131720	1D24	2	0350 - 13
T116999	1D17	7	0350 - 5	T123976	3B6	10	3102 - 3	T132294	3C4	6	3160 - 21
T117001	1D17	13	0350 - 5	T125535	3B9	3	3140 - 4	T132295	3C4	6	3160 - 21
T119369	2G17	2	1810 - 14	T125724	2J19	4	2002 - 2	T13254	1J11	15	0510 - 3
T119386	2G5	11	1810 - 2	T126170	1K20	6	1015 - 1	T13254	1J21	10	0560 - 3
T119419	3D2	19	3160 - 45	T126189	3C4	3	3160 - 21	T13271	2G17	4	1810 - 14
T119420	3D2	21	3160 - 45	T126204	1K24	27	1060 - 5	T134960	1B2	5	0110 - 1
T119421	3D2	7	3160 - 45	T126271	2B5	4	1320 - 3	T134960	1B3	5	0110 - 2
T119422	3D2	4	3160 - 45	T126535	1J15	4	0520 - 3	T134960	1B4	6	0110 - 3
T119423	3D2	18	3160 - 45	T126783	3B16	22	3160 - 7	T134960	1B5	3	0110 - 4
T119424	3D2	15	3160 - 45	T126785	3B16	26	3160 - 7	T134960	1B6	6	0110 - 5
T119425	3D2	10	3160 - 45	T126786	2E20	1	1674 - 58	T135583	2G24	20	1810 - 21
T119426	3D2	9	3160 - 45	T126786	2F9	1	1674 - 74	T13630	1K16	9	0960 - 15
T119427	3D2	30	3160 - 45	T126787	2E20	2	1674 - 58	T137698	2G19	6	1810 - 16
T119434	2G16	3	1810 - 13	T126787	2F9	2	1674 - 74	T137712	2H10	5	1810 - 34
T119435	2G16	4	1810 - 13	T126788	2E20	3	1674 - 58	T137713	2H3	2	1810 - 26
T119445	2G10	17	1810 - 7	T126788	2F9	3	1674 - 74	T137716	2G16	1	1810 - 13
T119482	3D2	17	3160 - 45	T127001	1L3	11	1115 - 3	T137750	2G14	4	1810 - 11
T119483	3D2	28	3160 - 45	T127002	3D15	12	3160 - 59	T137751	2G12	2	1810 - 9
T119507	2I12	23	1830 - 3	T127161	2C9	4	1673 - 2	T137752	2G12	5	1810 - 9
T119535	2B5	20	1320 - 3	T127230	3C20	31	3160 - 37	T137790	2G10	15	1810 - 7
T119553	2J6	4	1830 - 22	T128278	2B5	25	1320 - 3	T137790	2G14	6	1810 - 11
T119564	2J19	10	2002 - 2	T128353	3B20	7	3160 - 11	T137790	2G22	15	1810 - 19
T119580	1D9	2	0315 - 5	T128353	3B24	18	3160 - 15	T137795	2I18	17	1830 - 9
T119593	2G5	8	1810 - 2	T128355	3B20	13	3160 - 11	T137840	2H12	2	1810 - 36
T119593	2G17	1	1810 - 14	T128355	3B24	12	3160 - 15	T137841	2G19	2	1810 - 16
T119593	2G19	7	1810 - 16	T128379	2B5	13	1320 - 3				
T119593	2I20	9	1830 - 11	T128437	2J19	8	2002 - 2				
T119594	2G24	18	1810 - 21	T129505	2G8	8	1810 - 5				
T119606	2G12	3	1810 - 9	T129632	1E22	2	0350 - 35				

# 1L22

LX150 LOADER

## NUMERICAL INDEX - CONTINUED

PART NO.	GRID	KEY	PAGE	PART NO.	GRID	KEY	PAGE	PART NO.	GRID	KEY	PAGE
T137864	2H1	2	1810 - 23	T141936	2G24	4	1810 - 21	T144380	1D20	7	0350 - 9
T137864	2H2	1	1810 - 24	T142510	3B8	20	3140 - 3	T144381	1D20	7	0350 - 9
T137864	2H11	6	1810 - 35	T142539	2H7	39	1810 - 31	T144382	1D20	7	0350 - 9
T137865	2I12	15	1830 - 3	T142539	2H9	35	1810 - 33	T144383	1D20	7	0350 - 9
T137877	2G19	3	1810 - 16	T142540	2H7	40	1810 - 31	T144394	1D22	2	0350 - 11
T137877	2G20	1	1810 - 17	T142540	2H9	36	1810 - 33	T144404	1E14	20	0350 - 27
T137877	2H1	3	1810 - 23	T142541	2H7	20	1810 - 31	T144404	1E16	21	0350 - 29
T137877	2H2	2	1810 - 24	T142541	2H9	20	1810 - 33	T144404	1E18	17	0350 - 31
T137877	2H11	5	1810 - 35	T142622	2G17	5	1810 - 14	T144408	1E14	34	0350 - 27
T137888	2H3	3	1810 - 26	T142830	1E14	8	0350 - 27	T144416	1E16	33	0350 - 29
T137897	2G14	9	1810 - 11	T142850	1E18	1	0350 - 31	T144418	1E16	30	0350 - 29
T137987	3C4	7	3160 - 21	T142852	1E14	29	0350 - 27	T144419	1E18	9	0350 - 31
T137988	3C6	38	3160 - 23	T142856	1E14	1	0350 - 27	T144424	2G12	6	1810 - 9
T137989	3C4	8	3160 - 21	T142857	1E16	1	0350 - 29	T144424	2G14	7	1810 - 11
T138047	3C4	10	3160 - 21	T142873	2G20	2	1810 - 17	T144427	3B8	19	3140 - 3
T138055	3B20	11	3160 - 11	T14307	1F3	7	0374 - 2	T144438	1E18	29	0350 - 31
T138057	3B16	10	3160 - 7	T143145	2I12	11	1830 - 3	T144439	1E18	26	0350 - 31
T138058	3B16	11	3160 - 7	T143159	2I12	17	1830 - 3	T144442	3B8	2	3140 - 3
T138112	2D7	4	1674 - 19	T143163	2G4	3	1810 - 1	T144444	1E20	2	0350 - 33
T13814	1J22	4	0570 - 2	T143164	2G4	3	1810 - 1	T144447	1E6	22	0350 - 19
T138914	2I20	5	1830 - 11	T143166	2I24	27	1830 - 15	T144448	1E6	21	0350 - 19
T139131	3C10	26	3160 - 27	T143166	2J1	4	1830 - 17	T144449	1E6	20	0350 - 19
T139132	3C10	25	3160 - 27	T143169	2I20	23	1830 - 11	T144450	1E6	1	0350 - 19
T13988	1D9	13	0315 - 5	T143169	2J1	2	1830 - 17	T144454	1E6	2	0350 - 19
T139919	2F16	7	1740 - 2	T143183	2F20	1	1749 - 1	T144455	1E6	3	0350 - 19
T140276	1J21	14	0560 - 3	T143191	2I18	20	1830 - 9	T144456	1E6	4	0350 - 19
T140379	3B8	4	3140 - 3	T143198	1K16	24	0960 - 15	T144460	1E8	17	0350 - 21
T140380	3B8	4	3140 - 3	T143203	2I20	12	1830 - 11	T144461	1E10	64	0350 - 23
T140381	3B8	4	3140 - 3	T143220	2G4	4	1810 - 1	T144462	1E8	22	0350 - 21
T140382	3B8	3	3140 - 3	T143245	1K16	18	0960 - 15	T144464	1E10	52	0350 - 23
T14040	1K3	19	0930 - 3	T143248	2B5	17	1320 - 3	T144465	1E10	52	0350 - 23
T140582	2F18	1	1746 - 1	T143322	2F21	6	1749 - 2	T144466	1E10	52	0350 - 23
T140705	3D16	6	3160 - 60	T143361	1E20	11	0350 - 33	T144467	1E10	50	0350 - 23
T140898	3C18	7	3160 - 35	T143365	1E4	8	0350 - 17	T144468	1E8	45	0350 - 21
T141174	2J7	2	1830 - 23	T143366	1E4	6	0350 - 17	T144469	1E8	43	0350 - 21
T141175	2I12	8	1830 - 3	T143367	1E4	5	0350 - 17	T144470	1E8	44	0350 - 21
T141188	2I12	22	1830 - 3	T143368	1E4	7	0350 - 17	T144471	1E8	42	0350 - 21
T141279	2I10	9	1830 - 1	T143371	1D22	6	0350 - 11	T144472	1E10	46	0350 - 23
T141320	2I10	2	1830 - 1	T143407	2I7	1	1822 - 2	T144473	1E10	47	0350 - 23
T141436	1E12	5	0350 - 25	T143418	1E18	15	0350 - 31	T144474	1E10	61	0350 - 23
T141437	1E12	4	0350 - 25	T143420	1E14	3	0350 - 27	T144475	1E8	9	0350 - 21
T141438	1E12	7	0350 - 25	T143420	1E16	4	0350 - 29	T144475	1E8	16	0350 - 21
T141501	3C4	7	3160 - 21	T143420	1E18	3	0350 - 31	T144475	1E10	48	0350 - 23
T141501	3C6	40	3160 - 23	T143442	1E12	1	0350 - 25	T144475	1E10	60	0350 - 23
T141507	2I24	21	1830 - 15	T143445	2D7	1	1674 - 19	T144475	1E10	62	0350 - 23
T141508	2I24	21	1830 - 15	T143563	2J11	2	1913 - 1	T144477	1E10	49	0350 - 23
T141519	1E20	11	0350 - 33	T143566	1L4	5	1115 - 4	T144478	1E8	41	0350 - 21
T141608	2J7	1	1830 - 23	T143569	1L4	3	1115 - 4	T144479	1E8	8	0350 - 21
T141698	1L3	7	1115 - 3	T143571	1L4	2	1115 - 4	T144480	1E8	15	0350 - 21
T141728	3C8	11	3160 - 25	T143573	1L4	1	1115 - 4	T144481	1E8	11	0350 - 21
T141730	3C8	19	3160 - 25	T143591	2B5	10	1320 - 3	T144482	1E8	12	0350 - 21
T141736	3C8	14	3160 - 25	T143596	2D9	7	1674 - 21	T144483	1E8	13	0350 - 21
T141737	3C8	40	3160 - 25	T143597	2D9	12	1674 - 21	T144485	1E8	10	0350 - 21
T141738	3C8	16	3160 - 25	T143651	1D7	4	0315 - 3	T144485	1E8	27	0350 - 21
T141739	3C8	12	3160 - 25	T143815	1J11	12	0510 - 3	T144486	1E8	6	0350 - 21
T141740	3C8	6	3160 - 25	T143815	1J11	13	0510 - 3	T144487	1E8	5	0350 - 21
T141741	3C8	7	3160 - 25	T144027	2C24	6	1674 - 10	T144489	1E8	19	0350 - 21
T141742	3C8	5	3160 - 25	T144348	1C14	11	0225 - 3	T144490	1E8	2	0350 - 21
T141743	3C8	3	3160 - 25	T144348	1C16	11	0225 - 5	T144492	1E8	1	0350 - 21
T141746	3C8	2	3160 - 25	T144374	1D20	7	0350 - 9	T144493	1E10	53	0350 - 23
T141750	3C8	8	3160 - 25	T144375	1D20	7	0350 - 9	T144494	1E10	54	0350 - 23
T141760	2B21	8	1399 - 1	T144376	1D20	7	0350 - 9	T144496	1E8	35	0350 - 21
T141760	2J7	5	1830 - 23	T144377	1D20	7	0350 - 9	T144500	1E8	31	0350 - 21
T141833	1D20	5	0350 - 9	T144378	1D20	7	0350 - 9	T144501	1E8	31	0350 - 21
				T144379	1D20	7	0350 - 9	T144502	1E8	32	0350 - 21
								T144503	1E8	28	0350 - 21
								T144504	1E8	28	0350 - 21



# 1L23

LX150 LOADER

## NUMERICAL INDEX - CONTINUED

PART NO.	GRID	KEY	PAGE	PART NO.	GRID	KEY	PAGE	PART NO.	GRID	KEY	PAGE
T144505	1E8	28	0350 - 21	T146625	1K8	11	0960 - 5	T35025	1C16	8	0225 - 5
T144506	1E8	28	0350 - 21	T146626	1K8	13	0960 - 5	T35440	2H7	13	1810 - 31
T144507	1E8	28	0350 - 21	T146658	2B5	28	1320 - 3	T35440	2H9	13	1810 - 33
T144508	1E8	25	0350 - 21	T146659	2B5	27	1320 - 3	T35441	2H7	16	1810 - 31
T144509	1E8	26	0350 - 21	T146932	3B4	2	3102 - 1	T35441	2H9	16	1810 - 33
T144511	1E8	24	0350 - 21	T146933	3B4	4	3102 - 1	T39049	1K16	1	0960 - 15
T144512	1E8	36	0350 - 21	T15021	1D9	16	0315 - 5	T40705	3C20	23	3160 - 37
T144513	1E8	37	0350 - 21	T15712	1J7	1	0505 - 2	T41208	2B2	5	1314 - 1
T144544	1D24	11	0350 - 13	T16736	2G17	12	1810 - 14	T41836	1K8	15	0960 - 5
T144698	3B16	25	3160 - 7	T16752	2B13	..	1369 - 5	T42170	1J6	9	0505 - 1
T145035	2C23	10	1674 - 9	T17148	1K16	10	0960 - 15	T42632	1J21	4	0560 - 3
T145062	2B5	29	1320 - 3	T19044	2B21	3	1399 - 1	T42977	1D13	5	0342 - 3
T145081	1K13	4	0960 - 11	T19566	2B15	2	1369 - 7	T42977	1J19	2	0540 - 3
T145122	2D13	7	1674 - 25	T19687	2B13	..	1369 - 5	T43512	2B8	..	1330 - 2
T145169	1J15	21	0520 - 3	T20077	1G15	2	0409 - 3	T43513	2B8	..	1330 - 2
T145366	2I24	7	1830 - 15	T20129	1G15	1	0409 - 3	T43514	1B21	..	0210 - 13
T145381	3C8	28	3160 - 25	T20294	1G12	1	0407 - 14	T43514	1C20	..	0250 - 3
T145382	3C8	28	3160 - 25	T20328	1G12	2	0407 - 14	T43514	2B8	..	1330 - 2
T145388	3D12	7	3160 - 56	T20328	1J4	21	0452 - 3	T43515	2B8	..	1330 - 2
T145390	3C6	19	3160 - 23	T21242	1G2	9	0407 - 3	T43518	2F23	3	1749 - 4
T145391	3C4	2	3160 - 21	T21387	2J13	13	1921 - 1	T52049	2F13	11	1921 - 1
T145392	3C6	42	3160 - 23	T21841	1B12	5	0210 - 3	T531T	2I18	7	1830 - 9
T145400	3B16	12	3160 - 7	T22827	3C6	28	3160 - 23	T54568	1J17	2	0530 - 1
T145401	3B16	27	3160 - 7	T22827	3C6	43	3160 - 23	T54922	1K6	5	0960 - 3
T145405	3B20	12	3160 - 11	T23263	1J15	10	0520 - 3	T55260	1B4	11	0110 - 3
T145413	1K8	9	0960 - 5	T23891	1J2	2	0433 - 1	T55501	2D2	1	1674 - 13
T145414	3D12	8	3160 - 56	T24229	1H4	27	0413 - 13	T55585	1J6	3	0505 - 1
T145422	2F10	1	1676 - 1	T24229	1H6	3	0413 - 15	T55758	1J21	21	0560 - 3
T145425	2F10	1	1676 - 1	T25335	2B13	..	1369 - 5	T56112	1K11	20	0960 - 9
T145451	2G14	8	1810 - 11	T26994	3D21	8	3160 - 65	T57251	2C7	1	1672 - 3
T145452	1J21	18	0560 - 3	T27077	2I14	9	1830 - 5	T58056	2H12	4	1810 - 36
T145602	2F10	1	1676 - 1	T27132	1C14	14	0225 - 3	T58056	2I20	16	1830 - 11
T145667	2J13	9	1921 - 1	T27132	1C16	14	0225 - 5	T59890	1C14	13	0225 - 3
T145670	1J11	11	0510 - 3	T27134	1C14	2	0225 - 3	T59890	1C16	13	0225 - 5
T145697	3B8	24	3140 - 3	T27134	1C16	2	0225 - 5	T59933	1B3	3	0110 - 2
T145734	2B5	18	1320 - 3	T27194	1B3	1	0110 - 2	T59937	1E23	4	0360 - 1
T145895	3B8	18	3140 - 3	T27294	2F16	8	1740 - 2	T59937	2I20	21	1830 - 11
T145979	2F21	1	1749 - 2	T27532	1B3	2	0110 - 2	T59937	2I22	2	1830 - 13
T145979	2F22	1	1749 - 3	T27550	2D15	17	1674 - 27	T59937	2I24	12	1830 - 15
T146043	3C8	20	3160 - 25	T27860	1F15	2	0404 - 1	T59938	2H1	4	1810 - 23
T146066	2F10	1	1676 - 1	T28077	1J21	9	0560 - 3	T59938	2H2	5	1810 - 24
T146067	2F10	1	1676 - 1	T28583	2E13	1	1674 - 51	T59938	2H11	1	1810 - 35
T146096	2H22	14	1821 - 9	T28583	2F2	1	1674 - 67	T59938	2I10	3	1830 - 1
T146097	2B5	11	1320 - 3	T28585	2C8	10	1673 - 1	T59938	2I12	21	1830 - 3
T146102	1I11	8	0422 - 1	T28585	2E13	12	1674 - 51	T59938	2I20	9	1830 - 11
T146102	1I18	5	0422 - 9	T28585	2F2	12	1674 - 67	T60752	3B8	23	3140 - 3
T146102	2B5	24	1320 - 3	T28586	2C9	3	1673 - 2	T60811	2I14	4	1830 - 5
T146153	2H3	4	1810 - 26	T28586	2E13	14	1674 - 51	T60920	2J19	6	2002 - 2
T146153	2H4	1	1810 - 27	T28586	2F2	14	1674 - 67	T61863	2G10	18	1810 - 7
T146174	2B5	6	1320 - 3	T29342	2F18	2	1746 - 1	T62560	2G16	5	1810 - 13
T146175	2B5	21	1320 - 3	T29342	2F19	2	1746 - 2	T62560	2G17	9	1810 - 14
T146246	1K9	2	0960 - 6	T29342	3D22	10	3160 - 66	T62560	2G19	8	1810 - 16
T146246	2F16	11	1740 - 2	T29388	2I18	14	1830 - 9	T63085	3C23	7	3160 - 40
T146246	3B6	2	3102 - 3	T29392	2B5	19	1320 - 3	T63949	2I18	21	1830 - 9
T146246	3B8	11	3140 - 3	T29417	2C19	2	1674 - 4	T63949	2I22	1	1830 - 13
T146246	3B9	8	3140 - 4	T30424	3C8	34	3160 - 25	T65069	2H5	1	1810 - 28
T146246	3B10	9	3140 - 5	T31556	1H4	26	0413 - 13	T65643	2I24	31	1830 - 15
T146431	2B5	4	1320 - 3	T31556	1H6	9	0413 - 15	T66162	2G18	1	1810 - 15
T146435	2B5	3	1320 - 3	T32255	2H7	23	1810 - 31	T66419	2G6	3	1810 - 3
T146436	2B5	5	1320 - 3	T32255	2H9	23	1810 - 33	T66419	2I10	1	1830 - 1
T146438	2B5	22	1320 - 3	T33483	1J12	6	0515 - 2				
T146439	2B5	16	1320 - 3	T34037	1D7	5	0315 - 3				
T146441	2B5	26	1320 - 3	T34037	1D9	14	0315 - 5				
T146443	2B5	30	1320 - 3	T34067	2E13	18	1674 - 51				
T146620	1K8	16	0960 - 5	T34067	2F2	18	1674 - 67				
T146622	1K8	17	0960 - 5	T34248	2B13	..	1369 - 5				
T146624	1K8	10	0960 - 5	T35025	1C14	8	0225 - 3				

# 1L24

LX150 LOADER

## NUMERICAL INDEX - CONTINUED

PART NO.	GRID	KEY	PAGE	PART NO.	GRID	KEY	PAGE	PART NO.	GRID	KEY	PAGE
T66419	2I12	12	1830 - 3	T77858	1E24	3	0360 - 3	U12547	2B11	..	1369 - 3
T66419	2I24	6	1830 - 15	T77858	1K3	2	0930 - 3	U12547	2B13	..	1369 - 5
T66419	2J7	7	1830 - 23	T77858	1K13	11	0960 - 11	U12547	3B16	16	3160 - 7
T66419	2J11	8	1913 - 1	T77858	2B16	5	1369 - 8	U12547	3B16	24	3160 - 7
T66420	2I20	14	1830 - 11	T77858	3C20	11	3160 - 37	U12547	3B18	5	3160 - 9
T68704	1K20	5	1015 - 1	T77858	3D8	5	3160 - 52	U12547	3B20	17	3160 - 11
T69660	2G10	14	1810 - 7	T77858	3D9	11	3160 - 53	U12547	3B22	6	3160 - 13
T69660	2G12	1	1810 - 9	T77858	3D15	3	3160 - 59	U12547	3B24	16	3160 - 15
T70154	2C10	6	1673 - 3	T77858	3D15	5	3160 - 59	U12547	3D7	7	3160 - 50
T70154	2G8	13	1810 - 5	T77932	1K14	3	0960 - 12	U12547	3D8	3	3160 - 52
T70154	2I22	10	1830 - 13	T77932	2B16	4	1369 - 8	U12547	3D9	9	3160 - 53
T71442	2G24	8	1810 - 21	T78313	2B11	..	1369 - 3	U12547	3D15	1	3160 - 59
T74410	2D6	2	1674 - 18	T78593	1J6	7	0505 - 1	U12595	3D21	11	3160 - 65
T74410	2D25	4	1674 - 37	T78612	1K13	19	0960 - 11	U13425	3D21	17	3160 - 65
T74412	2I16	2	1830 - 7	T78612	2B16	7	1369 - 8	U13551	3D21	18	3160 - 65
T74416	2C23	8	1674 - 9	T78612	3C18	3	3160 - 35	U13639	1F17	5	0404 - 3
T74416	2D9	6	1674 - 21	T78612	3C20	3	3160 - 37	U13639	1F23	5	0404 - 9
T74416	2D15	6	1674 - 27	T78612	3C20	16	3160 - 37	U13639	1J4	24	0452 - 3
T74416	2E4	3	1674 - 41	T78612	3D4	18	3160 - 47	U13639	1J8	6	0505 - 4
T74416	2E6	2	1674 - 43	T78612	3D9	4	3160 - 53	U13639	1K13	8	0960 - 11
T74552	1D24	13	0350 - 13	T78612	3D15	5	3160 - 59	U13639	2B13	..	1369 - 5
T74553	1D22	12	0350 - 11	T78714	3C18	8	3160 - 35	U13639	3C18	1	3160 - 35
T75197	1J21	19	0560 - 3	T78714	3D15	6	3160 - 59	U13639	3C20	20	3160 - 37
T75197	2D15	4	1674 - 27	T78715	3D15	6	3160 - 59	U13639	3D9	6	3160 - 53
T75197	2D25	3	1674 - 37	T78716	1D2	34	0260 - 3	U13639	3D15	10	3160 - 59
T75276	2D15	10	1674 - 27	T78784	2B16	8	1369 - 8	U15415	2B13	..	1369 - 5
T75276	2D15	13	1674 - 27	T78787	2D15	3	1674 - 27	U15574	2G22	5	1810 - 19
T75276	2D15	16	1674 - 27	T78974	2I20	8	1830 - 11	U15574	2G25	8	1810 - 22
T75276	2E4	5	1674 - 41	T79470	2C4	6	1671 - 1	U15973	2B13	..	1369 - 5
T75276	2E8	2	1674 - 45	T79470	2C5	7	1671 - 2	U16794	3D21	7	3160 - 65
T75276	3D17	4	3160 - 61	T79471	2C4	9	1671 - 1	U17409	1G7	8	0407 - 9
T75276	3D23	4	3160 - 67	T79471	2C5	6	1671 - 2	U17409	1G7	12	0407 - 9
T76252	2E6	1	1674 - 43	T79477	1J11	14	0510 - 3	U17409	1I2	6	0419 - 3
T76938	1E24	11	0360 - 3	T79477	1J21	11	0560 - 3	U17409	1J4	30	0452 - 3
T76938	2B16	6	1369 - 8	T79478	1J21	23	0560 - 3	U17409	1K6	1	0960 - 3
T76938	3C18	19	3160 - 35	T80393	2C8	3	1673 - 1	U17409	2B13	..	1369 - 5
T76938	3C20	15	3160 - 37	T80394	2C8	1	1673 - 1	U40750	1G7	22	0407 - 9
T76938	3C20	21	3160 - 37	T80622	1B12	1	0210 - 3	U42111	1K8	21	0960 - 5
T76938	3C22	3	3160 - 39	T80938	1C1	4	0210 - 18	U42111	2B13	..	1369 - 5
T76938	3D4	13	3160 - 47	T81018	1K8	6	0960 - 5	U43002	2G22	9	1810 - 19
T76938	3D9	15	3160 - 53	T81029	1K24	10	1060 - 5	U43002	2G24	15	1810 - 21
T76938	3D18	3	3160 - 62	T81029	3C10	10	3160 - 27	U43002	2G25	9	1810 - 22
T77613	1K24	7	1060 - 5	T81029	3C12	13	3160 - 29	U43021	2H12	3	1810 - 36
T77613	2B16	2	1369 - 8	T81110	3C25	1	3160 - 43	U43021	2J11	5	1913 - 1
T77613	3C10	6	3160 - 27	T81247	3D13	2	3160 - 57	U43871	1B25	3	0210 - 17
T77613	3C12	7	3160 - 29	T81247	3D14	3	3160 - 58	U43961	1B4	3	0110 - 3
T77613	3C12	20	3160 - 29	T82791	2F10	2	1676 - 1	U43961	1B6	3	0110 - 5
T77613	3D11	2	3160 - 55	T82907	1J15	7	0520 - 3	U45843	3B14	2	3160 - 5
T77613	3D11	10	3160 - 55	T83062	2I12	1	1830 - 3	U45843	3B16	23	3160 - 7
T77814	1C1	5	0210 - 18	T83485	2J11	3	1913 - 1	U45843	3B20	10	3160 - 11
T77814	1D2	6	0260 - 3	U10289	1K13	28	0960 - 11	U45843	3B24	9	3160 - 15
T77814	1K3	3	0930 - 3	U10289	2B13	..	1369 - 5	U46370	2E13	20	1674 - 51
T77814	1K13	14	0960 - 11	U10289	3D21	16	3160 - 65	U46370	2F2	20	1674 - 67
T77814	1K19	2	1011 - 2	U10746	2B13	..	1369 - 5	U46489	3D2	29	3160 - 45
T77814	1L3	3	1115 - 3	U10776	2B13	..	1369 - 5	U46506	2H7	22	1810 - 31
T77814	2B16	1	1369 - 8	U11326	2B13	..	1369 - 5	U46506	2H9	22	1810 - 33
T77814	3C10	12	3160 - 27	U11343	2B13	..	1369 - 5	U46507	2H7	3	1810 - 31
T77814	3D4	2	3160 - 47	U11647	3B14	3	3160 - 5	U46507	2H9	3	1810 - 33
T77814	3D11	6	3160 - 55	U12037	2B13	..	1369 - 5	U46508	2H7	28	1810 - 31
T77814	3D19	2	3160 - 63	U12198	2B13	..	1369 - 5	U46508	2H9	28	1810 - 33
T77857	1D2	2	0260 - 3	U12331	2B13	..	1369 - 5	U46662	2E13	10	1674 - 51
T77857	1K3	23	0930 - 3	U12547	1D2	4	0260 - 3	U46662	2F2	10	1674 - 67
T77857	1K14	5	0960 - 12	U12547	1E24	10	0360 - 3	U46664	2E15	47	1674 - 53
T77857	1K24	3	1060 - 5	U12547	1K3	7	0930 - 3	U46664	2F4	47	1674 - 69
T77857	2B16	3	1369 - 8	U12547	1K13	9	0960 - 11	W24718	2G22	18	1810 - 19
T77857	3C8	33	3160 - 25	U12547	1K14	1	0960 - 12	W38023	2G22	14	1810 - 19
				U12547	1K14	7	0960 - 12	X05HP-4	1K8	24	0960 - 5

# 1L25

LX150 LOADER

## NUMERICAL INDEX - CONTINUED

<i>PART NO.</i>	<i>GRID</i>	<i>KEY</i>	<i>PAGE</i>	<i>PART NO.</i>	<i>GRID</i>	<i>KEY</i>	<i>PAGE</i>	<i>PART NO.</i>	<i>GRID</i>	<i>KEY</i>	<i>PAGE</i>
Z29864	1E22	7	0350 - 35								
30251	1C12	15	0210 - 29								
32240	2B7	..	1330 - 1								
400R	1C4	3	0210 - 21								
400R	1C10	27	0210 - 27								

**Hitachi Construction Machinery Co., Ltd.**

PRINTED IN JAPAN (E) 1993, 5  
KM-G (HT<sub>2</sub>-E)