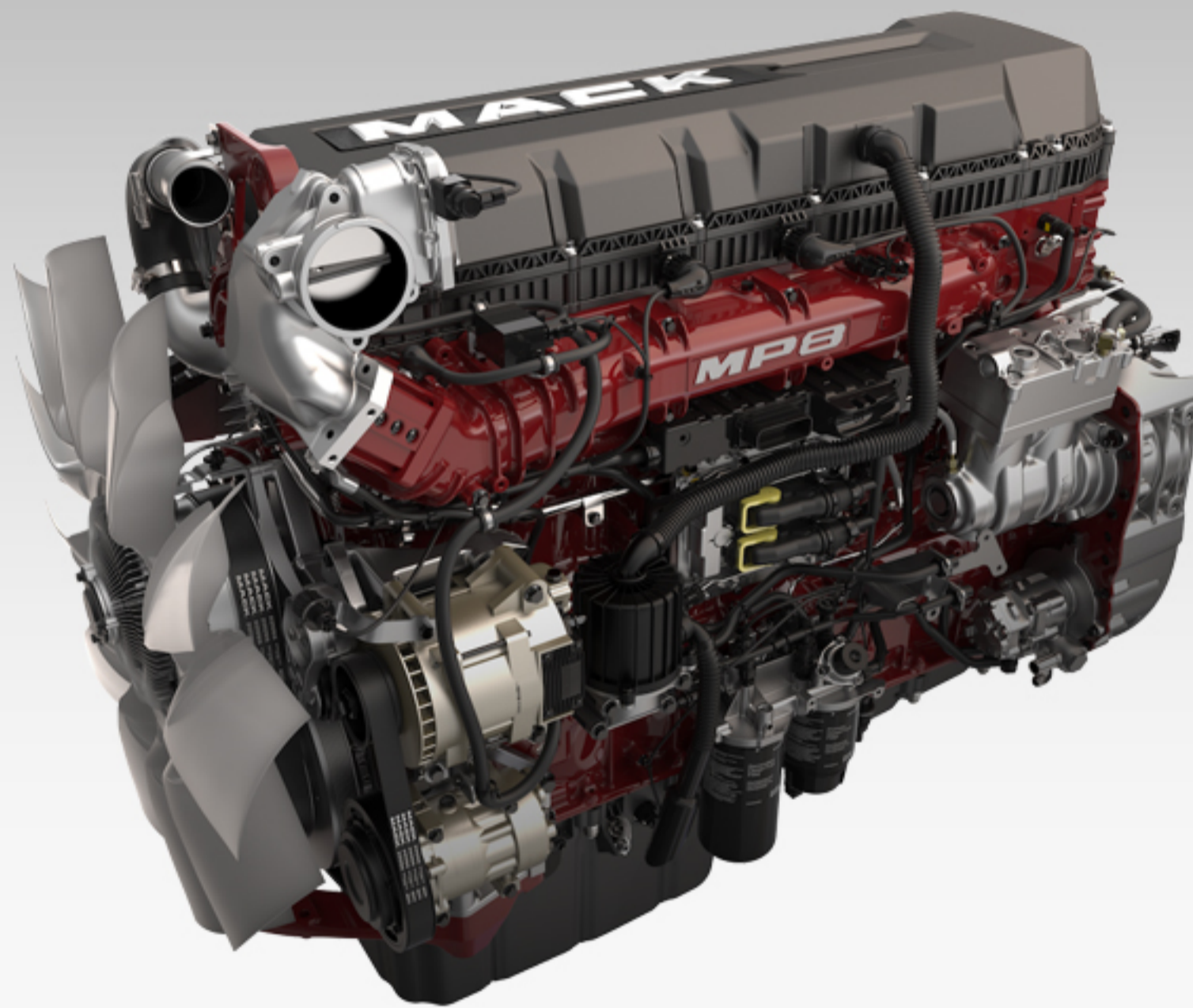




EARTHQUIP

AFFORDABLE HEAVY EQUIPMENT SOLUTIONS

MACK ENGINE PARTS 2015



NEW REPLACEMENT PARTS FOR HEAVY EQUIPMENT

V8 Series Section

- Cylinder Block Components **1**
- Crankshaft **1**
- Cylinder Head Components **2**
- Rebuild Kits and Components **3**
- Thermostat Kits and Components **4**
- Oil Cooler Assemblies and Components **4**
- Water Pump **5**
- Flywheel Assembly **5**
- Fuel Injection Tubes **6**

E6 Series Section

- Cylinder Block Components **6**
- Cylinder Head Assembly
 - Two Valve Head **8**
 - Four Valve Head **10**
- Valve Covers and Components – Two and Four Valve Head **11**
- Rocker Arm Assembly
 - Two Valve Head **12**
 - Four Valve Head **13**
- Piston Kits, Cylinder Kits, Ring Sets and Sleeves **14**
- Connecting Rods, Rod Bearings and Components **16**
- Crankshaft **17**
- Crankshaft Dampers, Hubs and Pulley **18**
- Camshaft **18**
- Auxiliary Shaft and Drive Components **19**
- Timing Cover and Front Mount
 - Steel Timing Cover **20**
 - Aluminum Timing Cover **20**
- Oil Pump Assembly **21**
- Oil Filter Mounting Components **22**
- Oil Pressure Relief Valve Housings **23**
- Oil Relief Valve Housing **23**
- Oil Cooler **24**
- Oil Pans **24**
- Engine Cooling Components **25**
- Water Pump **26**
- Air Cylinder Controls and Shutter Components **28**
- Flywheel Assembly **29**
- Intake Manifold **29**
- Exhaust Manifold **30**
- Turbocaharger **31**
- Turbocharger Repair Kits **32**
- Injection Pump Drive **33**
- Injection Pump **33**

E7 Series Section

- Cylinder Block Components: E7, E-Tech (EUP) & ASET **37**
- Auxiliary Shaft Assembly E7, E-Tech (EUP) & ASET **38**
- Camshaft
 - E7 (PLN) **38**
 - E-Tech (EUP) & ASET **39**
 - E-Tech (EUP) & ASET **40**
- Timing Gear Cover and Components **40**
- Flywheel Assemblies and Components **41**
- Cylinder Head Assembly
 - E7 (PLN) **41**
 - E-Tech (EUP) **43**
- Rocker Arm Assembly: E7, E-Tech, ASET **45**
- Piston Kits, Cylinder Kits, Ring Sets and Rod Bearings **47**
- Crankshaft: E7, E-Tech, ASET **48**
- Oil Pan and Components – E7 (PLN), E-Tech (EUP) & ASET **49**
- Oil Pump
 - E7 **50**
 - E-Tech, ASET **51**
- Oil Filter Mounting Components – E7 (PLN), E-Tech (EUP) & ASET **51**
- Oil Coolers and Components
 - E7, E-Tech **52**
 - E-Tech, ASET **52**
- Transmission Oil Cooler – E7, E-Tech **53**
- Water Pumps and Components
 - E7, E-Tech **53**
 - E-Tech, ASET **55**
- Intake Manifolds and Components – E7, E-Tech, ASET **55**
- Exhaust Manifolds and Components – E7, E-Tech **56**
- Exhaust Manifold w/ EGR – ASET Engine w/ EGR Valve **56**
- Exhaust Manifolds – ASET Engine w/o EGR Valve **57**
- Engine Cooling Components **57**
- E7/E-Tech/ASET Turbocharger **58**
- Fuel Injection Tubes – E-Tech (EUP) **59**

- Fuel Injection Components **60**

- Gasket Sets
 - Upper Gasket Sets **61**
 - Lower Gasket Sets **61**
 - Overhaul Gasket Sets **61**

MP 7 and 8 Series Section

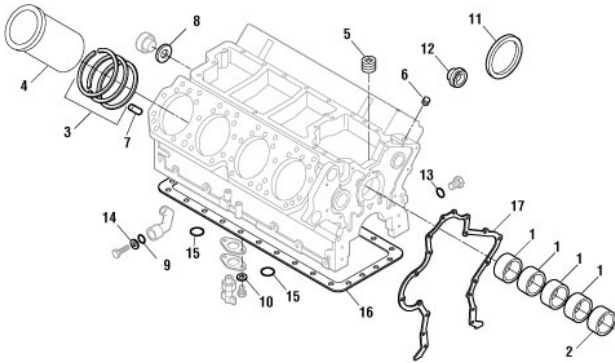
- Cylinder Head **62**
- Camshaft MP 8 **63**
- Flywheel Assembly **64**
- Crankshaft **64**
- Pistons, Rod Bearings and Liner Kits **66**
- Turbocharger **67**
- Oil Pump **68**
- Oil Cooler and EGR Cooler **68**
- Water Pump **69**
- Doser Kit **70**
- Fuel Transfer Pump **70**
- Injector Assembly – MP **71**

D11 and D13 Series Section

- Cylinder Head **71**
- Camshaft **73**
- Flywheel Assembly **73**
- Crankshaft – D13 **74**
- Pistons, Rod Bearings and Liner Kits **75**
- Turbocharger **76**
- Oil Pump **76**
- Oil Cooler and EGR Cooler **77**
- Water Pump **77**
- Doser Kit **78**
- Fuel Transfer Pump **78**
- Injector Assembly **79**
- Miscellaneous Components **79**

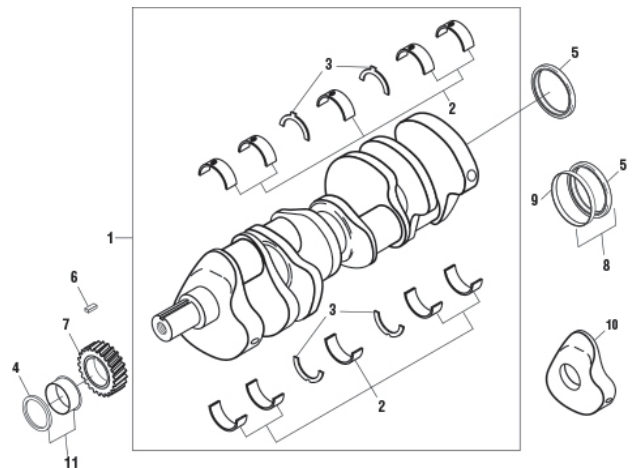
Miscellaneous Section

- Oil Filler Components
 - Oil Filler Tubes, Oil Caps and Components **80**
 - Dipsticks **81**
 - Guides **81**
- Miscellaneous Fuel Line Components
 - Injection Tube Brackets
 - .75 Inch **82**
 - 1 Inch **82**
 - Injection Tube Insulators **83**
- Sensors
 - Sensor Connectors **83**
 - Temperature Switches **84**
 - Fuel Sensors **84**
 - Water Sensors **85**
 - Oil Sensors **86**
 - NOX Sensors **87**
 - Air Brake Sensors **87**
 - Pressure Switches **88**
 - Pressure Sensors **90**
 - Temperature Sensors **92**
 - Manifold Pressure (EGR) **94**
 - Stop Light Switches **94**
 - Ambient Temperature Sensors **95**
 - Boost Sensors **96**
 - RPM, Tachometer, Speedometer **97**
 - A/C Switches **99**
- Cooling System
 - Fan Clutch **99**
 - Fan Blades **100**
 - Fan/Clutch Assembly **100**
 - Fan Hub Assembly **101**
 - Fan Clutch Components **101**
 - Fan Clutch Repair Kits **102**
- Filters
 - Filter Kits **103**
 - Fuel Filters and Brackets **104**
 - Oil Filters **104**
 - Oil Filter Element **105**
 - Air Filters **105**
 - Water Filters and Bracket **106**
- Belt Tensioners **106**
- Belt Tensioner Kits **108**
- Belts **108**



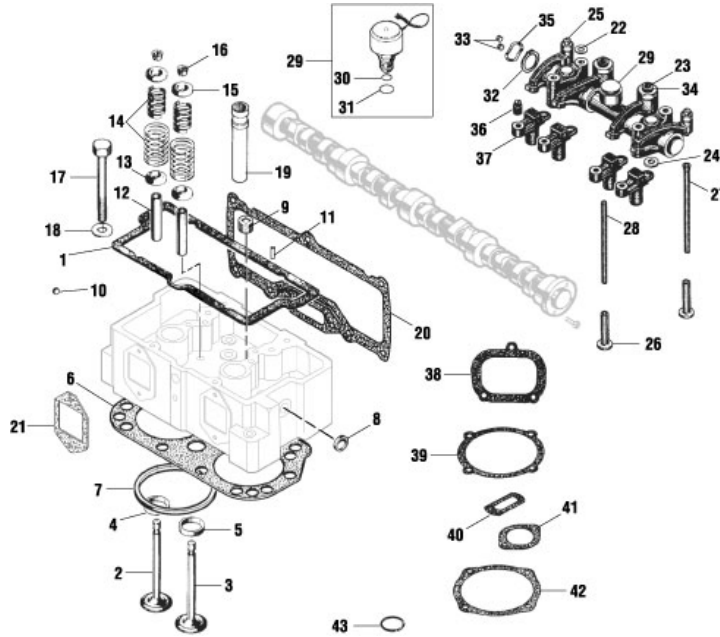
V8 SERIES SECTION – CYLINDER BLOCK COMPONENTS

KEY	OEM REF	DESCRIPTION
1	MAK59GB1109C	BEARING, Cam (Positions #2-5)
2	MAK59GB220	BEARING, Cam (Position #1)
3	MAK447GC233	O-RING, Sleeve (Use w/ ESL-8285 Sleeve)
3	MAK447GC219	O-RING, Sleeve (For 865 Engine)
3	MAK447GC225	O-RING, Sleeve (Use w/ ESL-8285 Sleeve)
4	MAK509GC413A	SLEEVE (5.375in Bore) (EM9-400/440)
5	MAK49AX233	PLUG (3/8in NPT)
6	MAK49AX230	PLUG (1/8in NPT)
7	MAK31AX268	PIN, Head Locating
8	MAK39AX23	WASHER, Main Oil Gallery (Rear)
9	MAK446GC1149	O-RING, Piston Cooling Nozzle
10	MAK37AX7U	WASHER
11	MAK449GC229	SEAL, Exhaust Manifold (EM9-400/440)
12	MAK446GC310P3	SEAL, Fan Drive
13	MAK446GC1103	O-RING, Buttress Thread Plug
14	MAK446GC1142	O-RING, Piston Cooling Plug
15	MAK56AX533	O-RING, Piston Cooling
16	MAK579GB420	GASKET, Oil Pan (EM9-400/440)
17	MAK548GB423B	GASKET, Timing Gear



V8 SERIES SECTION – CRANKSHAFT

KEY	OEM REF	DESCRIPTION
1	MAK57GC393	KIT, Crankshaft (E9-400/500) Includes Bearings (8)EBG-8335-STD (5 pr)EBG-8395-STD (2 pr)EBK-2767-STD
2	MAK64GB21786A	BEARING, Main (STD) (Pair) (5 pair req'd)
2	MAK64GB21786P10	BEARING, Main (.010in Undersize) (Pair) (5 pair req'd)
2	MAK64GB21786P20	BEARING, Main (.020in Undersize) (Pair) (5 pair req'd)
3	MAK57GC2144	KIT, Crankshaft Thrust Bearing (Pair) (2 req'd) Includes (1)Upper Bearing (1)Lower Bearing
3	MAK57GC2144P2	KIT, Crankshaft Thrust Bearing (Pair) (2 req'd) Includes (1)Upper Bearing (1)Lower Bearing
4	MAK446GC310P2	SEAL, Front Crankshaft (Teflon)
4	MAK446GC316	SEAL, Front Crankshaft (Neoprene)
5	MAK446GC238B	SEAL, Rear Crankshaft (Neoprene)
5	MAK446GC235A	SEAL, Rear Crankshaft (Neoprene) (Used w/ Wear Ring)
5	MAK446GC310P10	SEAL, Rear Crankshaft (Teflon)
6	MAK42AX637	KEY, Crank Gear
7	MAK670GB226B	GEAR, Crankshaft
8	MAK57GC186A	KIT, Seal and Wear Ring Includes Seal (1)ESE-7965 Wear Ring (1)ERG-3790
9	MAK532GC220B	RING, Rear Crankshaft Wear
10	MAK761GC32	COUNTERWEIGHT, Crankshaft
11	N/A	KIT, Front Seal (Neoprene) Includes Seal (1)EOS-8820 Wear Ring (1)ERG-3792
11	N/A	KIT, Front Seal (Teflon) Includes Seal (1)EOS-8821 Wear Ring (1)ERG-3792

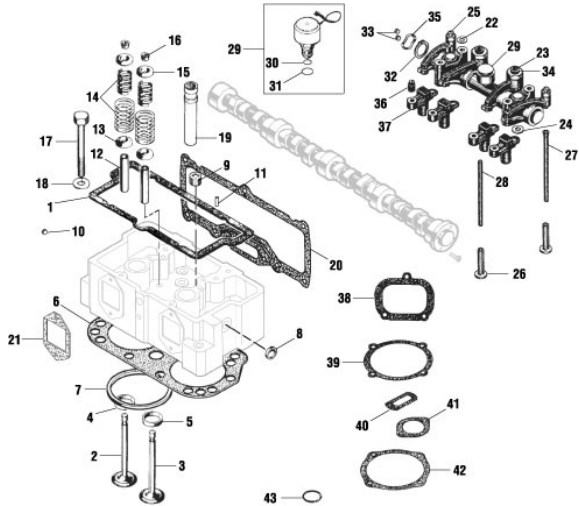


V8 SERIES SECTION – CYLINDER HEAD COMPONENTS

KEY	OEM REF	DESCRIPTION
1	MAK554GB316G	GASKET,Valve Cover
2	MAK690GC339	VALVE,Intake(3/8in Dia. Stem) (EM9-400/440/500)
3	MAK688GC339	VALVE,Exhaust(3/8in Dia. Stem) (EM9-400/440/500)
4	MAK13GC2237	SEAT,Intake Valve(ENDT-865)
4	MAK13GC2237P15	SEAT,Intake Valve(ENDT-865)
4	MAK13GC2237P31	SEAT,Intake Valve(ENDT-865)
4	MAK13GC2237P47	SEAT,Intake Valve(ENDT-865)
4	MAK13GC2237P62	SEAT,Intake Valve(ENDT-865)
4	MAK13GC2253P1	SEAT,Intake Valve(EM9-400)
4	MAK13GC2253P15	SEAT,Intake Valve(EM9-400)
4	MAK13GC2253P31	SEAT,Intake Valve(EM9-400)
4	MAK13GC2253P47	SEAT,Intake Valve(EM9-400)
4	MAK13GC2253P62	SEAT,Intake Valve(EM9-400)
5	MAK13GC2235P1	SEAT,Exhaust Valve(ENDT-865)
5	MAK13GC2235P15	SEAT,Exhaust Valve(ENDT-865)
5	MAK13GC2235P31	SEAT,Exhaust Valve(ENDT-865)
5	MAK13GC2235P47	SEAT,Exhaust Valve(ENDT-865)
5	MAK13GC2235P62	SEAT,Exhaust Valve(ENDT-865)
5	MAK13GC2226AP1	SEAT,Exhaust Valve(EM9-400)
5	MAK13GC2226AP15	SEAT,Exhaust Valve(EM9-400)
5	MAK13GC2226AP31	SEAT,Exhaust Valve(EM9-400)
5	MAK13GC2226AP47	SEAT,Exhaust Valve(EM9-400)
6	MAK57GC197A	KIT GASKET,Head(w/ Fire Ring) (EM9-400)
7	MAK553GB222	FIRE RING(EM9-400)
8	MAK79AX68Z	PLUG,Core
9	MAK49AX242	PLUG
10	MAK49AX230	PLUG,Fuel Drain
11	MAK183GC25	PIN
12	MAK714GB1329	GUIDE,Valve(ENDT-865) (1/2in Dia. ID)(Finished)
12	MAK714GB26	GUIDE,Valve Guide(7/16in Dia. ID) (Semi-Finished)(EM9-400)

KEY	OEM REF	DESCRIPTION
12	MAK714GB222P2	GUIDE, Valve Guide (7/16in Dia. ID) (Finished) (EM9-400)
13	MAK722GC313A	ROTATOR, Coil (EM9-400)
14	MAK575GC211A	SPRING, Valve
15	MAK722GC321	RETAINER (3/8in Dia. Stem)
15	MAK722GC224	RETAINER (7/16in Dia. Stem)
16	MAK54GC25	LOCK, Valve (3/8in Dia. Stem) (EM9-400)
16	MAK54GC126	LOCK, Valve (7/16in Dia. Stem) (EM9-400)
17	MAK400GC33P5	BOLT, Cylinder Head
18	MAK711GC1100P9	WASHER
18	MAK711GC1100P14	WASHER (Reduced OD)
19	MAK12GC212A	SLEEVE, Injector
20	MAK573GB38A	GASKET, Inlet/Water Manifold
21	MAK573GB236	GASKET, Exhaust
22	MAK35AZ1361U	WASHER
23	MAK73GC27D	ADJUSTER, Lash
24	MAK446GC193B	O-RING
25	MAK21AX750	NUT, Lock
26	MAK72GC347	LIFTER
26	MAK72GC357	LIFTER (Current Design)
27	MAK369GC273A	PUSHROD, Exhaust (EM9-400/440/500)
28	MAK369GC314AP3	PUSHROD, Intake (Tubular,Cup & Ball)
28	MAK369GC415A	PUSHROD, Intake (EM9-400/440/500)
29	MAK57GC246	KIT, Solenoid Includes Ring (1)ERG-1176 O-Ring (1)EGA-1177
30	MAK446GC1149	O-RING
31	MAK590GB1327P1	RING
32	MAK97AX73	RING, Retaining

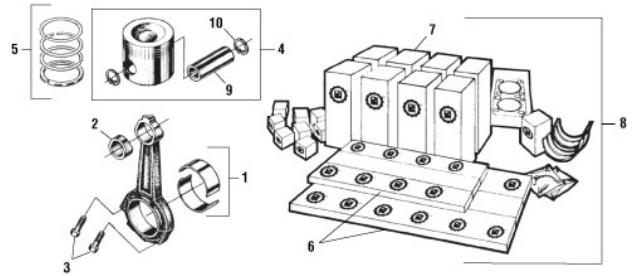
Continued



V8 SERIES SECTION – CYLINDER HEAD COMPONENTS

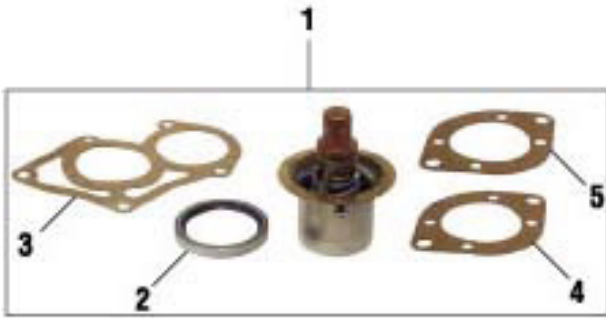
Continued

KEY	OEM REF	DESCRIPTION
33	MAK49AX242	PLUG
34	MAK148GC19	NUT, Lock
35	MAK579GC148A	WASHER, Wave
36	MAK421GC257A	SCREW, Yoke Adjusting
37	N/A	KIT, Yoke Includes Yoke (1)EVY-3522 Nut (1)ENU-0409 Screw (1)ESC-8342
38	MAK573GB230B	GASKET, Inlet Crossover
39	MAK590GB277A	GASKET, Alternator Cover
40	MAK590GB285A	GASKET, Timing Cover Hole
41	MAK590GB2126	GASKET, Oil Fitting
42	MAK590GB283A	GASKET, Breather
43	MAK56AX478	O-RING, Oil Pressure
43	MAK446GC1165	O-RING, Tachometer Drive
43	MAK446GC1215	O-RING, Turbo Drain
43	MAK446GC1109	O-RING, Auxiliary Drive Housing
43	MAK446GC194	O-RING, Oil Pump Relief



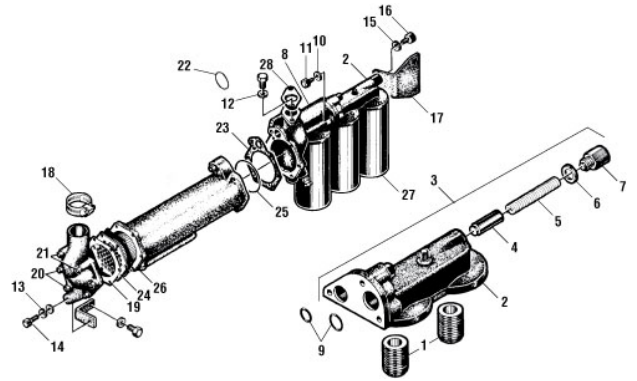
V8 SERIES SECTION – REBUILD KITS AND COMPONENTS

KEY	OEM REF	DESCRIPTION
1	MAK62GB2391	BEARING, Connecting Rod (STD) (EM9-400/440/500)
1	MAK62GB2391P10	BEARING, Connecting Rod (.010in Undersize) (EM9-400/440/500)
2	MAK187GB23	BUSHING, Piston Pin (2.25in OD) (EM9-400/440/500)
2	MAK187GB27	BUSHING, Piston Pin (2.30in OD) (EM9-500 - Late Model Version)
3	MAK396GC138	SCREW, Connecting Rod (EM9-400/440/500) (5/8in-18 x 2-15/16in)
4	MAK57GC191	KIT, Piston (50 Grams Lighter Weight) (EM9-400/EM9-440/EM9-500) (Interchangeable w/ EPA-8065 Piston Kit in Set Only)
5	MAK353GC238A	SET, Ring (5.250in Bore) (ENDT-865/866)
5	MAK353GC2134	SET, Ring (5.375in Bore) (EM9-400/440)
6	MAK126SB185	KIT, Upper Gasket (EM9-400/440)
6	MAK126SB186	KIT, Lower Gasket (EM9-400/440)
7	MAK57GC375C	KIT, Liner (17.1 Compression Ratio) (EM9-400/440/500) Includes Piston (1)EPA-8066 Liner (1)ESL-8285 Ring Set (1)EPR-8312 O-Rings (3)EGA-8911 (3)EGA-8908
8	MAK215SB204	KIT, Engine Rebuild Includes Liner Kit (8)ELK-8917 Main Bearings (5)EBG-8395-(* Rod Bearings (8)EBG-8335-(* Thrust Washers (2)EBK-2767-(* Gasket Sets Upper (1)EGS-3895 Lower (1)EGS-3905 Head Sets (4)EGK-8428
9	MAK182GC2208	PIN
10	MAK 97AX165	RETAINER



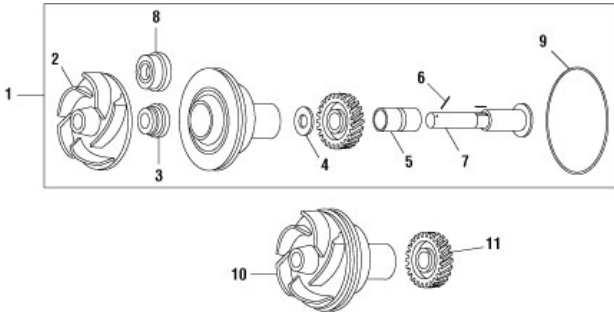
V8 SERIES SECTION – THERMOSTAT KITS AND COMPONENTS

KEY	OEM REF	DESCRIPTION
1	MAK215SB166P1	KIT, Thermostat (155 deg.) (Vented) Includes Gaskets (1)EGS-3905-013 (1) EGS-3905-015 (1)EGS-3905-016 Seal (1)ESE-3304 Thermostat
1	MAK215SB166P2	KIT, Thermostat (170 deg.) (Vented) Includes Gaskets (1)EGS-3905-013 (1) EGS-3905-015 (1)EGS-3905-016 Seal (1)ESE-3304 Thermostat
1	MAK215SB166P3	KIT, Thermostat (180 deg.) (Vented) Includes Gaskets (1)EGS-3905-013 (1) EGS-3905-015 (1)EGS-3905-016 Seal (1)ESE-3304 Thermostat
2	MAK447GC217A	SEAL, Thermostat
3	MAK590GB282A	GASKET, Water Housing
4	MAK590GB1325	GASKET, Water Outlet
5	MAK56AX390	GASKET, Water Bypass



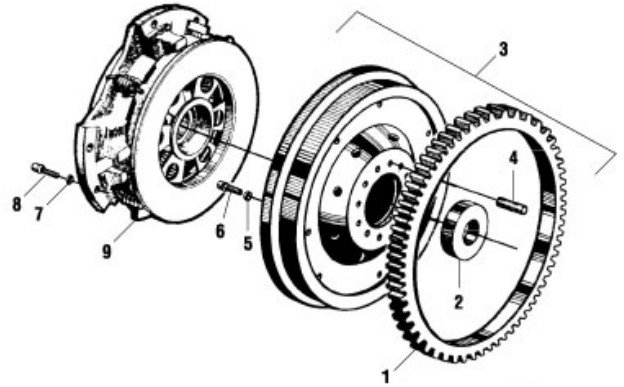
V8 SERIES SECTION – OIL COOLER ASSEMBLIES AND COMPONENTS

KEY	OEM REF	DESCRIPTION
1	MAK32GB183	ADAPTER, Filter
2	MAK27GB42A	MOUNT, Filter
3	MAK27GB317	ASSEMBLY, Mount (Filter) Includes Adapter (2)EAD-0880 Plunger (1)EPL-3151 Spring (1)ESP-3155 Washer (1)EWA-3156 Mount (1)MAK 27GB42A Cap (1)
4	MAK296GC21A	PLUNGER
5	MAK572GC130	SPRING
6	MAK38AX52	WASHER
7	MAK226GB152A	CAP
8	MAK27GB217A	MOUNT, Filter
9	MAK446GC1161	O-RING
10	MAK37AX265	WASHER
11	MAK6AX1467X	CAPSCREW (Short)
11	MAK6AX1459X	CAPSCREW (Long)
12	MAK37AX7U	WASHER
13	MAK36AX3	WASHER, Lock
14	MAK4AX58	SCREW (3/8in-16 x 7/8in)
15	MAK36AX5	WASHER, Lock
16	MAK4AX25	SCREW (1/2in-13 x 1-1/2in)
17	MAK143GB47B	BRACKET, Oil Cooler (Rear)
18	MAK45SF20	CLAMP, Water Inlet
19	MAK549GB28AP1	GASKET
20	MAK6AX1279	SCREW (5/16in-18 x 7/8in)
21	MAK6AX1280X	CAPSCREW
22	MAK446GC1160	O-RING
23	MAK549GB27A	GASKET
24	MAK57GC269	KIT, Oil Cooler Core Includes Core Kit (1)ECA-8605-001 Core (1)ECC-8607-001 Gasket (1)EGS-3905-008
25	MAK446GC225A	O-RING
26	MAK549GB28AP4	GASKET, Oil Cooler
27	MAK485GB3191C	FILTER, Oil
28	MAK56AX444	GASKET



V8 SERIES SECTION – WATER PUMP

KEY	OEM REF	DESCRIPTION
1	MAK202SB43	KIT, Water Pump (E9) Includes Rotor (1)ERW-0748 Seals (1)ESR-3377 (1)EOS-8819 Bushings (2)EBG-3378 Shaft (1)ESH-3888 Pin (1)EPN-5115 O-Ring (1)EGS-3905-011
2	MAK379GC42	ROTOR
3	MAK447GC234A	SEAL
4	MAK446GC310P5	SEAL
5	MAK186GB214	BUSHING
6	MAK31AX364	PIN (3/16in x 3/4in)
7	MAK469GC317	SHAFT
8	MAK447GC210B	SEAL
9	MAK446GC242	O-RING, Housing
10	MAK316GC3192	ASSEMBLY, Water Pump (E9) Includes Housing (1)EPH-3381 Shaft (1)ESH-3888 Gear (1)EGE-2586 Seals (1)ESR-3377 (1)EOS-8819 Rotor (1)ERW-0748 Pin (1)EPN-5115 O-Ring (1)EGS-3905-011
10	MAK4103-5001837328	ASSEMBLY, Water Pump (Reman) (E9)
11	MAK691GB234	GEAR



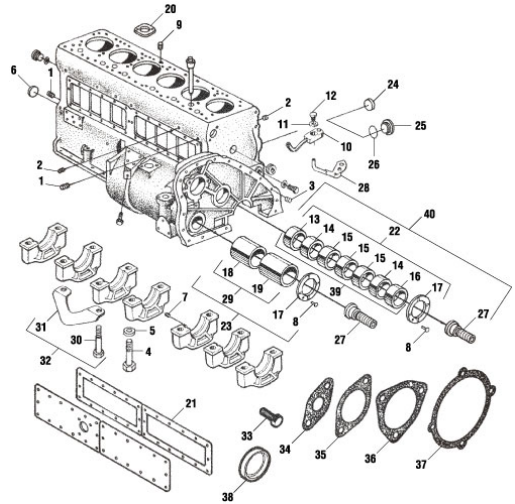
V8 SERIES SECTION – FLYWHEEL ASSEMBLY

KEY	OEM REF	DESCRIPTION
1	MAK673GB222	GEAR, Flywheel
2	MAK46AX534	BEARING, Clutch Pilot (Sealed) (Available with high temperature grease by ordering as EBG-8639HP)
3	MAK530GB3118C	ASSEMBLY, Flywheel (E9)
4	MAK183GC22	PIN, Flywheel Locating
5	MAK711GC1146	WASHER, Flywheel
6	MAK419GC113B	SCREW, Flywheel (5/8in-18 x 1-3/4in)
7	MAK36AX4	WASHER, Clutch (8 Req'd)
8	MAK419GC115	SCREW, Clutch (7/16in-14 x 2-1/2in) (8 Req'd)
9	N/A	ASSEMBLY, Clutch & Components (Please refer Clutch Section of Drive Train Catalog For More Information)



V8 SERIES SECTION – FUEL INJECTION TUBES

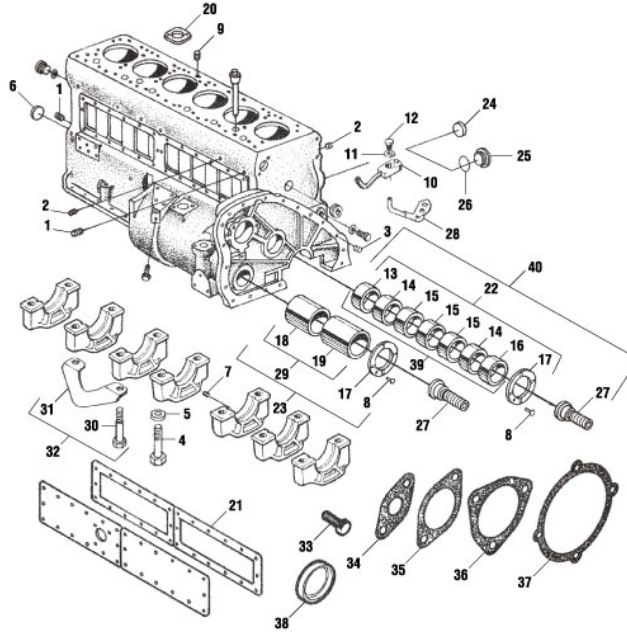
KEY	OEM REF	DESCRIPTION
1	MAK203GC4177	TUBE, Fuel Injection, #1 Cylinder EM9-400/440/500(V-8)(AMBAC)
1	MAK203GC4178	TUBE, Fuel Injection, #2 Cylinder EM9-400/440/500 (V-8) (AMBAC)
1	MAK203GC4179	TUBE, Fuel Injection, #3 Cylinder EM9-400/440/500 (V-8) (AMBAC)
1	MAK203GC4180	TUBE, Fuel Injection, #.4 Cylinder EM9-400/440/500 (V-8) (AMBAC)
1	MAK203GC4181	TUBE, Fuel Injection, #5 Cylinder EM9-400/440/500 (V-8) (AMBAC)
1	MAK203GC4182	TUBE, Fuel Injection, #6 Cylinder EM9-400/440/500 (V-8)(AMBAC)
1	MAK203GC4183	TUBE, Fuel Injection, #7 Cylinder EM9-400/440/500 (V-8) (AMBAC)
1	MAK203GC4184	TUBE, Fuel Injection, #8 Cylinder EM9-400/440/500 (V-8) (AMBAC)
2	MAK973AX100RF	HOSE, Fuel (Bulk)
2	MAK973AX420RF	HOSE, Fuel (Bulk)
2	MAK973AX120RF50	HOSE, Fuel (Bulk)
2	MAK973AX130RF	HOSE, Fuel (Bulk)
2	MAK973AX130RF50	HOSE, Fuel (Bulk)
2	MAK973AX140RF	HOSE, Fuel (Bulk)
2	MAK973AX140RF50	HOSE, Fuel (Bulk)
2	MAK973AX140RF250	HOSE, Fuel (Bulk)
2	MAK973AX471RF	HOSE, Fuel (Bulk)
2	MAK973AX170RF50	HOSE, Fuel (Bulk)
3	AMBNBM770042	NOZZLE (V8)



E6 SERIES SECTION – CYLINDER BLOCK COMPONENTS

KEY	OEM REF	DESCRIPTION
1	MAK49AX230	PLUG (1/8in)
2	MAK63AX83	PLUG (1/2in) (External Drive) (Opt)
2	MAK49AX234Z	PLUG (1/2in)
2	MAK49AX235	PLUG (3/4in)
3	MAK49AX233	PLUG (3/8in)
4	MAK409GC210	SCREW, Main Bearing Cap (11/16in-12 x 5-3/4in)
5	MAK711GC1100P15	WASHER, Main Bearing Cap
6	MAK277GC116	PLUG, Cam (Cup Type)
7	MAK183GC23	PIN, Crankshaft Thrust Washer Locating
8	MAK32AX65	PIN, Plain Thrust Washer Locating
8	MAK31AX638	PIN, Knurled Thrust Washer Locating
9	MAK31AX268	PIN, Cylinder Head Locating
9	MAK31AX443	PIN
10	MAK115GC216	NOZZLE, Piston,Cooling (Early E6)
11	MAK87GC133	WASHER, Lock Tab
12	MAK421GC144	SCREW
13	MAK59GB122B	BEARING, Cam
14	MAK59GB1122P1	BEARING, Cam
15	MAK59GB1109C	BEARING, Cam
16	MAK59GB188CP1	BEARING, Cam
16	MAK59GB214B	BEARING, Cam (Current)
17	MAK701GC11A	KIT, Thrust Bearing (Camshaft & Auxiliary Shaft) Includes Pin (1)EPN-2764 (1)Thrust Bearing
18	MAK61GB215	BEARING, Auxiliary (Required when installing early Auxiliary Shaft in new block)
18	MAK61GB15C	BEARING, Rear Auxiliary
19	MAK61GB33	BEARING, Front Auxiliary (w/ Aluminum Timing Cover)
19	MAK61GB14C	BEARING, Front Auxiliary
20	MAK590GB1362	GASKET
21	MAK601GB31D	GASKET, Lifter Cover
22	MAK57GC266	KIT, Cam Bearing (2 Valve Engine) Includes Bearings (1)ECB-8642 (1) ECB-8643 (5)ECB-8644 Bearing Kit (1)ETB-8690

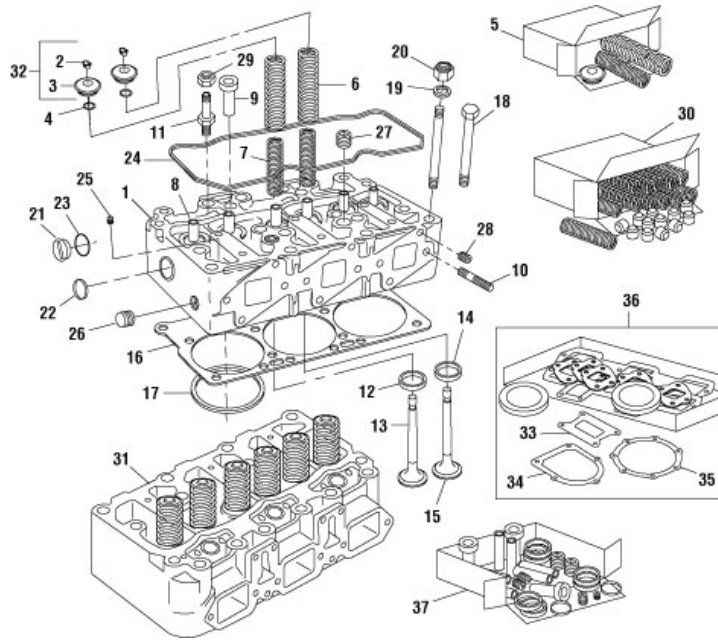
Continued



E6 SERIES SECTION – CYLINDER BLOCK COMPONENTS

Continued

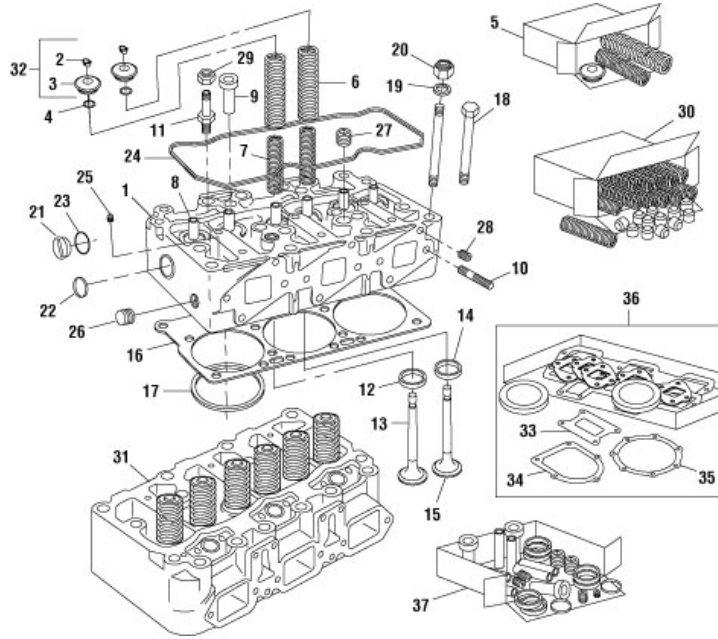
KEY	OEM REF	DESCRIPTION	KEY	OEM REF	DESCRIPTION
22	MAK57GC268	KIT, Cam Bearing (4 Valve Engine) Includes Bearings (1)ECB-8642 (6)ECB-8644 Bearing Kit (1)ETB-8690	37	MAK538GB11	GASKET, Cam Cover
22	N/A	KIT, Cam Bearing (4 Valve Engine) (w/ Aluminium Timing Cover) Includes Bearings (1)ECB-8647 (6)ECB-8644 Bearing Kit (1)ETB-8690	38	MAK79AX67	PLUG, Core (Cup Type) (1-3/8in Dia.)
23	MAK57GC2128	KIT, Auxiliary Bearing (4 Valve w/ Aluminium Timing Cover) Includes Bearings (2)EAB-8669 (1) ETB-8696 Washers (2)EWA-0390 Screws (2)ESC-0370	39	N/A	KIT, Cam Bearing (2 Valve Engine) Includes Bearings (1)ECB-8642 (1) ECB-8643 (3)ECB-8644 (2)ECB-8645
23	MAK57GC267	KIT, Auxiliary Bearing Includes Bearing Kits (1)ETB-8690 (1)EAB-8860	39	N/A	KIT, Cam Bearing (2 Valve Engine) Includes Bearings (1)ECB-8642 (1) ECB-8643 (5)ECB-8644
24	MAK79AX66Z	PLUG, Core (Cup Type) (1-3/4in Dia.)	39	N/A	KIT, Cam Bearing (2VH & 4VH Engines w/ large #7 Cam Journal) Includes Bearings (1)ECB-8647 (6)ECB-8644
25	MAK49AX155	PLUG, Core (Threaded) (Opt)	40	MAK57GC2132	SET, Cam Bearing Includes Bearings (6)ECB-8644 (1)ECB-8647 Bearing Kit (1)ETB-8690 Screw (1)ETC-2035-010
26	MAK446GC175	O-RING (Opt)			
27	MAK395GC110A	SCREW, Thrust			
28	MAK115GC251	NOZZLE, Piston Cooling (Late E6)			
29	N/A	KIT, Auxiliary Bearing (Late E6) Includes Bearings (1)EAB-8680 (1)EAB-8669			
29	N/A	KIT, Auxiliary Bearing Includes Bearings (1)EAB-8670 (1)EAB-8680			
30	MAK409GC310	SCREW, Main Cap (11/16in-12 x 5-5/8in)			
31	MAK253GC47B	BRACKET, Main Cap			
32	MAK57GC2112A	KIT, Bracket Includes Brackets (4)EBK-2098 Screws (8)ESC-2096			
33	MAK4AX27	SCREW (7/16in-14 x 1in)			
34	MAK56AX506	GASKET, Cover			
35	MAK590GB1214	GASKET, Dust Shield			
36	MAK547GB11A	GASKET, Breather Tube			



**E6 SERIES SECTION – CYLINDER HEAD ASSEMBLY –
TWO VALVE HEAD**

KEY	OEM REF	DESCRIPTION	KEY	OEM REF	DESCRIPTION
1	MAK732GB4396P2	ASSEMBLY, Cylinder Head Includes Guide Seats & Injector Sleeves (Exhaust drilled for horizontal and diagonal mount Manifolds)	12	MAK13GC2247P1	SEAT, Exhaust
2	MAK54GC19	LOCK, Valve (Use w/ EVA-8130 Intake Valve & EVA-8140 Exhaust Valve)	12	MAK13GC2247P15	SEAT, Exhaust
2	MAK54GC28	LOCK, Valve (Use w/ STD Valve & EVR-8325 Rotator)	12	MAK13GC2247P31	SEAT, Exhaust
2	MAK54GC111	LOCK, Valve (Use w/ MAK 688GC2321A Valve)	12	MAK13GC2247P47	SEAT, Exhaust
2	MAK54GC126	LOCK, Valve (Use w/ EVA-8132 Intake Valve & EVA-8141 Exhaust Valve)	12	MAK13GC2247P62	SEAT, Exhaust
3	MAK722GC226	ROTATOR (Use w/ EVL-8210 Locks) (Long Life)	13	MAK688GC2352A	VALVE, Exhaust
4	MAK446GC139B	O-RING, Valve (For .500in Dia. Valve Stem)	13	MAK688GC337A	VALVE, Exhaust (Long Life) (Opt)
4	MAK446GC279	SEAL, Oil Valve (Use ESP-8151 Inner Spring)	14	MAK13GC2237	SEAT, Intake
5	N/A	KIT, Valve Spring Includes Springs (1)ESP-8151 (1)ESP-8160 Rotator Kit (1)ERK-8324	14	MAK13GC2237P15	SEAT, Intake
6	MAK575GC1100	SPRING, Outer Valve	14	MAK13GC2237P31	SEAT, Intake
7	MAK575GC31	SPRING, Inner Valve (Use w/ EOS-0442 Seal)	14	MAK13GC2237P47	SEAT, Intake
8	MAK714GB1308P2	GUIDE, Valve (Finished ID)	14	MAK13GC2237P62	SEAT, Intake
8	MAK714GB210P4	GUIDE, Valve (Semi-Finished)	15	MAK690GC2187B	VALVE, Intake
8	MAK714GB210P2	GUIDE, Valve (Semi-Finished)	15	MAK690GC2193	VALVE, Intake (Long Life) (Polished) (Opt)
9	MAK12GC129P1	SLEEVE, Injector	16	MAK3029-8213C	GASKET, Head (w/o Fire Ring) (18 Stud)
10	MAK616GC28AP2	STUD, Exhaust Manifold (6 Req'd Per Head)	16	MAK3029-8197C	GASKET, Head (w/o Fire Ring) (20 Stud)
10	MAK616GC28A	STUD, Exhaust Manifold (Long) (Opt)	16	MAK57GC189A	KIT, Gasket (w/ Fire Rings) (20 Stud) Includes Fire Rings (3)EFR-8421
11	MAK616GC116	STUD, Injection Nozzle	17	MAK553GB187B	RING, Fire (ENDT673C/675/676, EM6-300/330)
			18	MAK610GC1123	STUD, Cylinder Head (20 Req'd Per Head)
			18	MAK400GC33	SCREW, Cylinder Head (Opt) (5/8in-11 x 6in)
			19	MAK711GC1100P9	WASHER, Cylinder Head (1-1/8in OD)
			19	MAK711GC1100P14	WASHER, Cylinder Head (1in OD)
			20	MAK142GC157	NUT, Cylinder Head

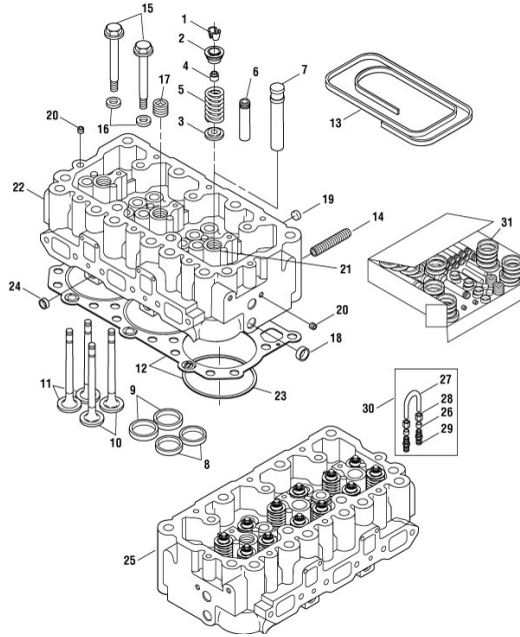
Continued



**E6 SERIES SECTION – CYLINDER HEAD ASSEMBLY –
TWO VALVE HEAD**

Continued

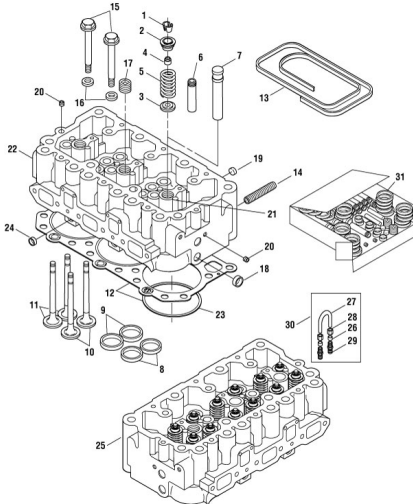
KEY	OEM REF	DESCRIPTION	KEY	OEM REF	DESCRIPTION
21	MAK49AX155	PLUG, Core (Threaded)	35	MAK610GB224	GASKET
22	MAK79AX66Z	PLUG, Core (Cup Type) (1-3/4in Dia.)	36	MAK126SB147	SET, Manifold Gasket (All 2VH/ 6 Cylinder Engines) Includes Gaskets (2)EGS-3890-021 (1)EGS-3900-046 (1)EGS-3900-054 (1)EGS-3900-062 (6)EGK-3938 (2)EGS-3890-010
23	MAK446GC175	O-RING	37	N/A	KIT, Cylinder Head Rebuild Includes Seats (3)EVS-2540-STD (3)EVS-2550-STD Plugs (1)EPP-3573 (2)EPP-3575 (2)EPP-3576 (2)ECP-8660 Guides (6)EVG-2370 Sleeves (3)EIS-8340 Screws (3)ESS-0150
24	MAK554GB38	GASKET, Valve Cover (Cork)			
24	MAK554GB38A	GASKET, Valve Cover (Rubber) (Cort)			
25	MAK49AX230	PLUG, Pipe (Oil Line) (1/8in)			
26	MAK49AX234Z	PLUG, Pipe (1/2in)			
27	MAK49AX235	PLUG, Pipe (3/4in)			
28	MAK7AX277	SCREW (7/16in-14 x 7/16in)			
29	MAK20AX3	NUT			
30	MAK57GC278	KIT, Spring & Seal Includes Springs (12)ESP-8151 Seals (12)EOS-0442			
31	MAK732GB4397P1	ASSEMBLY, Cylinder Head (Standard Valves) Includes Head Assembly (1)ECH-3310 Springs (6)ESP-8151 (6)ESP-8160 Valves (3)EVA-8130 (3)EVA-8140 Locks (12)EVL-8195 Rotators (6)EVR-8325			
31	MAK732GB4397P2	ASSEMBLY, Cylinder Head (Long Life Valves) Includes Head Assembly (1)ECH-3310 Springs (6)ESP-8151 (6)ESP-8160 Valves (3)EVA-8132 (3)EVA-8141 Locks (12)EVL-8210 Rotators (6)EVR-8325			
32	N/A	KIT, Rotator (Use to Replace MAK 722GC219A Early Rotator) (Contains Current Rotators and Locks) Includes Rotator (1)EVR-8325 Lock (2)EVL-8195			
33	MAK590GB1148	GASKET			
34	MAK590GB223	GASKET			



**E6 SERIES SECTION – CYLINDER HEAD ASSEMBLY –
FOUR VALVE HEAD**

KEY	OEM REF	DESCRIPTION	KEY	OEM REF	DESCRIPTION
1	MAK54GC25	LOCK, Valve (3/8in Valve Stem) (24 req'd per Head)	13	MAK554GB115	GASKET, Valve Cover (Silicone Joined Ends)
2	MAK722GC321	RETAINER (3/8in Valve Stem) (12 req'd per Head)	14	MAK616GC28A	STUD, Exhaust Manifold (7/16in-14 x 4in Lg)
3	MAK722GC313A	ROTATOR (12 req'd per Head)	15	MAK400GC33P4	BOLT, Cylinder Head (7-13/16in Lg) (14 req'd)
4	MAK446GC138B	O-RING (7/16in Valve Stem)	15	MAK400GC33P5	BOLT, Cylinder Head (6-3/4in Lg) (6 req'd)
4	MAK446GC328	SEAL (3/8in Valve Stem)	15	MAK400GC33P3	BOLT, Cylinder Head (7-13/16in Lg Tapped Head)
5	MAK575GC213	SPRING, Valve	16	MAK711GC1100P9	WASHER (1-1/8in OD)
6	MAK714GB26	GUIDE (7/16in Valve Stem) (Semi-Finished)	16	MAK711GC1100P14	WASHER (1in OD)
6	MAK714GB26P2	GUIDE (7/16in Valve Stem) (Pre-Reamed)	17	MAK49AX235	PLUG, Pipe
6	MAK714GB222P2	GUIDE (3/8in Valve Stem) (Pre-Reamed)	18	MAK79AX68Z	PLUG, Core (1-1/16in Dia.)
6	N/A	GUIDE (3/8in Valve Stem) (Semi-Finished)	19	MAK7AX277	SCREW, Threaded (7/16in-14 x 7/16in)
7	MAK12GC212A	SLEEVE, Injector (3 req'd per Head)	20	MAK49AX242	PLUG, Pipe (1/16in-27 NPT)
7	MAK12GC212AP20	SLEEVE, Injector (.20in Oversize) (3 req'd per Head)	21	MAK183GC25	PIN, Valve Yoke
8	MAK13GC2251P1	SEAT, Intake	22	MAK732GB4484	ASSEMBLY, Cylinder Head (4VH) Includes Seats (6)EVS-2547-STD (6)EVS-2557-STD Sleeves (3)EIS-8341 Pins (6)EPN-2777 Plugs (2)EPP-3576 (4)ECP-3486 (2)EPP-3572 (3)GCP-3484 (2)ECP-3485 (1)EPP-3574 Guides (12)EVG-2379
8	MAK13GC2251P15	SEAT, Intake	23	MAK553GB187B	RING, Fire
8	MAK13GC2251P31	SEAT, Intake	24	MAK79AX63	PLUG, Core (13/16in Dia.)
8	MAK13GC2251P47	SEAT, Intake	25	MAK732GB3424	ASSEMBLY, Cylinder Head (4VH) Includes Head Assembly (1)ECH-3316 Valves (6)EVA-8135 (6)EVA-8145 Locks (24)EVL-8205 Rotators (12)EVR-8327 Retainers (12)EVR-8355 Seals (12)EOS-0443 Springs (12)ESP-8165
8	MAK13GC2251P62	SEAT, Intake	26	MAK52AX47	SEAL, Fuel Crossover Tube
9	MAK13GC2264P1	SEAT, Exhaust	27	MAK207GC178	TUBE, Fuel Return
9	MAK13GC2264P15	SEAT, Exhaust			
9	MAK13GC2264P31	SEAT, Exhaust			
9	MAK13GC2264P47	SEAT, Exhaust			
9	MAK13GC2264P62	SEAT, Exhaust			
10	MAK690GC2210	VALVE, Intake (3/8in Stem) (6 req'd per Head)			
11	MAK688GC2378	VALVE, Exhaust (3/8in Stem) (6 req'd per Head)			
12	MAK57GC189A	KIT, Gasket Includes Fire Rings (3)EFR-8421			

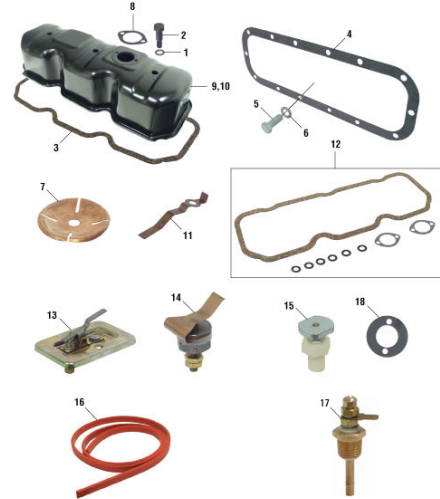
Continued



**E6 SERIES SECTION – CYLINDER HEAD ASSEMBLY –
 FOUR VALVE HEAD**

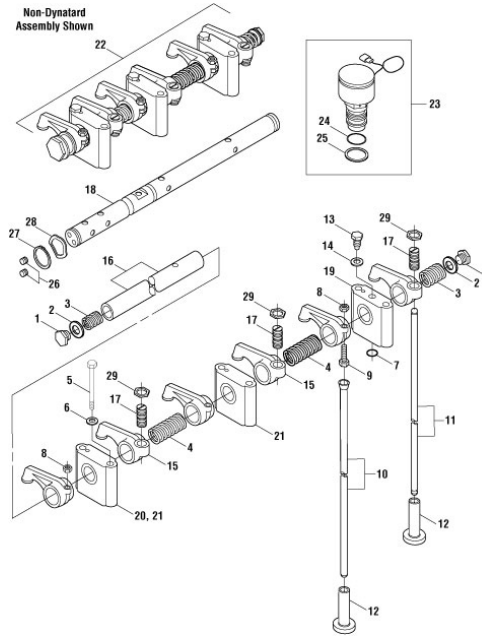
Continued

KEY	OEM REF	DESCRIPTION
28	MAK63AX3438	NUT
29	MAK63AX3705	FITTING, Connector
30	N/A	KIT, Fuel Tube Includes Tube (1)EFR-2326 Connectors (2)MAF-5213 Nuts (2)MNU-4126-004 Seals (2)EGS-3903-005
31	N/A	KIT, Repair Head Includes Valves (6)EVA-8135 (6)EVA-8145 Locks (24)EVL-8205 Seals (12)EOS-0443 Seats (6)EVS-2547-STD (6)EVS-2557-STD Guides (12)EVG-2379 Sleeves (3)EIS-8341
31	N/A	KIT, Rebuild Head Includes Valves (6)EVA-8135 (6)EVA-8145 Locks (24)EVL-8205 Seals (12)EOS-0443 Seats (6)EVS-2547-STD (6)EVS-2557-STD Guides (12)EVG-2379 Sleeves (3)EIS-8341 Springs (12) ESP-8165 Retainers (12)EVR-8355 Rotators (12)EVR-8327 Pins (6)EPN-2777



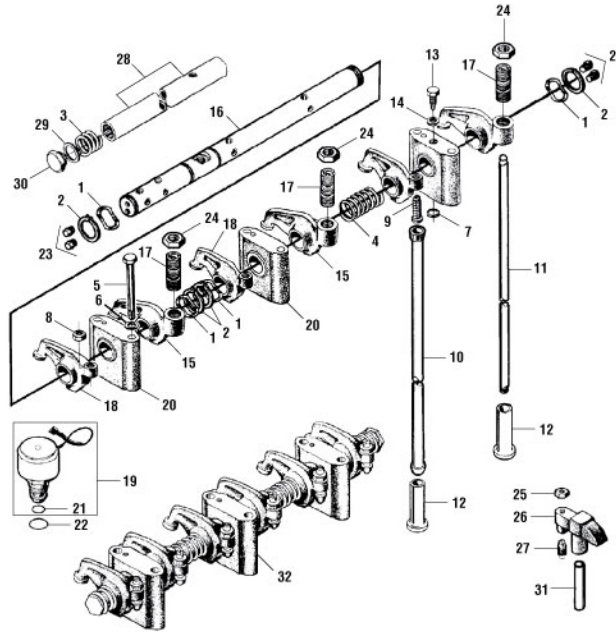
**E6 SERIES SECTION – VALVE COVERS AND COMPONENTS
 - TWO AND FOUR VALVE HEAD**

KEY	OEM REF	DESCRIPTION
1	MAK56AX326	WASHER
2	MAK421GC121A	SCREW (3/8in-16 x 1-1/2in)
3	MAK554GB38	GASKET, Valve Cover (Cork) (2VH)
3	MAK554GB38A	GASKET, Valve Cover (Rubber) (2VH)
4	MAK601GB31D	GASKET, Lifter Cover
5	MAK6AX1359X	SCREW (3/8in-16 x 1in)
5	MAK6AX1591	SCREW (3/8in-16 x 3/4in) (Flanged Head) (Locking)
6	MAK37AX7U	WASHER
7	MAK2MR152A	CONTACT
8	MAK590GB1176A	GASKET
8	MAK590GB2111A	GASKET (Current)
9	MAK337GB354P2	COVER, Forward Valve (w/ Breather Mounting)
9	MAK337GB471	COVER, Forward/Rear Valve (w/o Breather Mounting)
10	MAK337GB354P25	COVER, Rear Valve (w/ Breather Mounting)
10	MAK337GB354P10	COVER, Rear Valve Manifold (w/ Breather Mounting)
11	MAK2MR289	CONTACT
12	N/A	SET, Gasket Valve Cover Includes Gaskets (2)EGS-3890-040 (2)EGK-3920 Washers (6)EGS-3890-024
12	N/A	SET, Gasket Valve Cover Includes Gaskets (2)EGK-3930 (2)EGK-3935 Washers (6)EGS-3890-024
13	MAK1MR2358	SWITCH, Dynatard
14	MAK43MR210A	TERMINAL, Switch
15	MAK43MR220	TERMINAL, Engine Brake
16	MAK554GB321	GASKET, Valve Cover (Viton) (Joined Ends) (4VH)
16	MAK554GB115	GASKET, Valve Cover (Silicone Ends) (4VH)
17	MAK43MR213P2	TERMINAL, Engine Brake
18	MAK590GB177	GASKET, Breather (Early) (Cork)



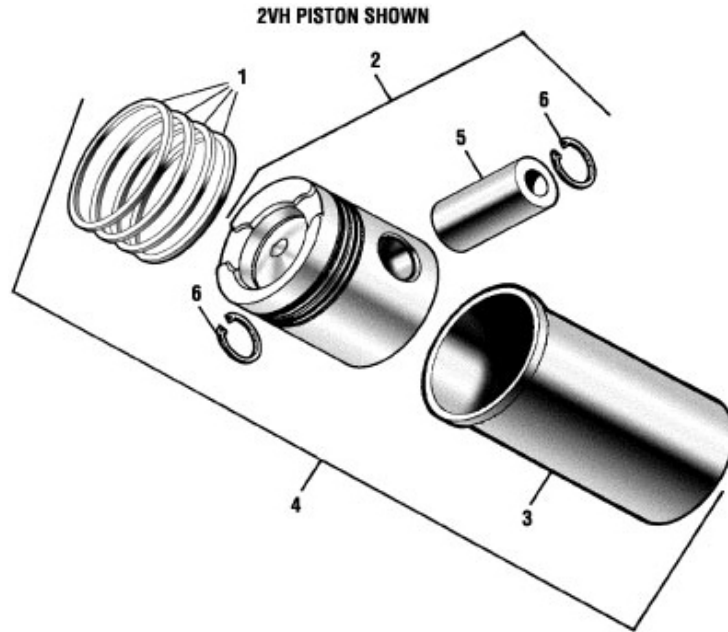
E6 SERIES SECTION – ROCKER ARM ASSEMBLY – TWO VALVE HEAD

KEY	OEM REF	DESCRIPTION			
1	MAK227GB11	CAP	22	MAK466GC420	ASSEMBLY, Rocker (Complete) Includes Washers (1)EWA-0050 (2)EWA-3546 Nuts (6)ENU-0072 Rocker Intake (3)ERA-3542 Rocker Arm (3)ERA-3544 Caps (2)ECP-3545 Brackets (2)EBK-3547 (1)EBK-3548 Shaft (1)ESH-3556 Springs (2)ESP-8185 (2)ESP-8186 Screws (6)ESC-8345 (1)ESC-8407
2	MAK37AX419	WASHER	22	MAK466GC427A	ASSEMBLY, Rocker (Complete) (Dynatard) Includes Washers (1)FWA-0050 (4)EWW-3539 Nuts (3)ENU-0072 (3)ENU-3538 O-Rings (4)ERI-2708 Rocker Intake (3)ERA-3542 Rocker Arm (3)ERA-3541 Adjusters (3)ELA-3543 Brackets (1)EBK-3547 (1)EBK-3548 (1)EBK-3549 Shaft (1)ESH-3557 Plugs (4)EPP-3572 Spring (1)ESP-8186 Screws (3)ESC-8345 (9)ESC-8407
3	MAK574GC14A	SPRING	23	MAK57GC246	KIT, Solenoid Includes O-Rings (1)EGA-1177 (1)ERG-1176 Adapter (1)EAD-1175 Solenoid (1)ESO-1171
4	MAK574GC15	SPRING	24	MAK446GC1149	O-RING
5	MAK416GC115	SCREW (7/16in-14 x 4)	25	MAK590GB1327P1	RING
6	MAK711GC1100P11	WASHER	26	MAK49AX242	PLUG, Rocker Shaft (Dynatard)
7	MAK446GC138B	O-RING	27	MAK97AX73	RING, Retaining (Dynatard)
8	MAK21AX750	NUT, Adjusting	28	MAK579GC148A	WASHER, Wave (Dynatard)
9	MAK417GC25A	SCREW, Adjusting	29	MAK148GC19	NUT, Adjusting
10	MAK369GC314A	PUSHROD (6 Cylinder, 2 Valve Intake) (Also Exhaust on Non-Dynatard Engines)			
11	MAK369GC256A	PUSHROD (6 Cylinder, 2 Valve Exhaust) (w/ Dynatard)			
12	MAK72GC347	LIFTER			
12	MAK72GC357	LIFTER (Current,w/o Oil Hole)			
13	MAK421GC171	SCREW, Locking (3/8in-16 x 7/8in)			
14	MAK36AX3	WASHER			
15	MAK44GB316A	ROCKER Arm, Exhaust (Dynatard)			
15	MAK44GB2169B	ROCKER Arm, Exhaust (Non-Dynatard)			
16	MAK466GC479	SHAFT, Rocker Arm (Non-Dynatard)			
17	MAK73GC27D	ADJUSTER, Lash (Dynatard Assembly only)			
18	MAK466GC377A	SHAFT, Rocker Arm (Dynatard)			
19	MAK146GB1113A	BRACKET, Support (w/ Oil Hole)			
20	MAK146GB323A	BRACKET, Support (w/o Oil Hole)			
21	MAK146GB1112A	BRACKET, Support (w/o Oil Hole) (w/ Dynatard Term Mounting)			



**E6 SERIES SECTION – ROCKER ARM ASSEMBLY –
FOUR VALVE HEAD**

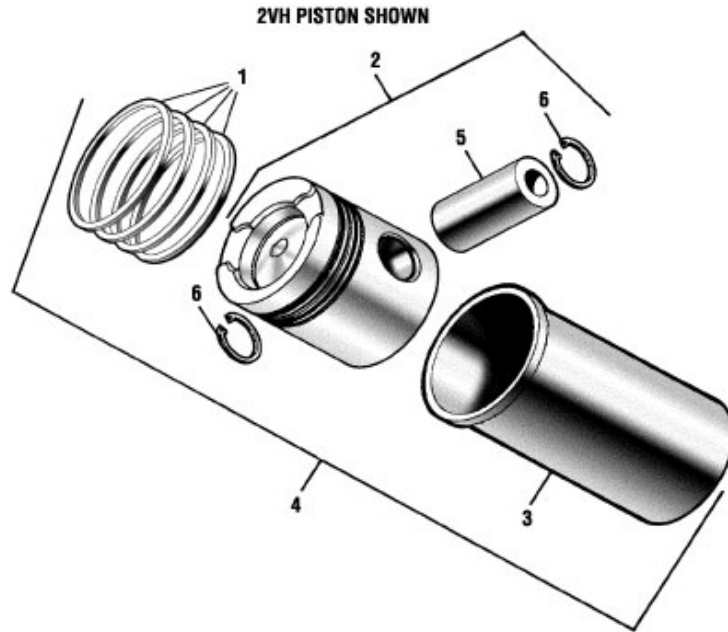
KEY	OEM REF	DESCRIPTION	KEY	OEM REF	DESCRIPTION
1	MAK579GC148A	WASHER, Wave	29	MAK37AX419	WASHER
2	MAK97AX73	RING, Locking	30	MAK227GB11	CAP
3	MAK574GC14A	SPRING	31	MAK183GC25	PIN, Yoke Guide
4	MAK574GC15	SPRING	32	MAK466GC444C	ASSEMBLY, Rocker (Dynatard) Includes Shaft (1)ESH-3461 Rocker Arms (3)ERA-3529 (3)ERA-3462 Brackets (1)EKB-3525 (2) EBK-3526 Washers (4)EWW-3539 (1)FWA-0050 Rings (4)ERI-2708 Plugs (4)EPP-3572 Screws (1)ESC-8409 (3)ESC-8345 Spring (1)ESP-8186 Nuts (3)ENU-3538 (3)ENU-0072 Adjusters (3)ELA-3543 Solenoid Kit (1)EKT-1103
5	MAK416GC115	SCREW (7/16in-14 x 4)			
5	MAK416GC116	SCREW (7/16in-14 x 3)			
6	MAK711GC1100P11	WASHER			
7	MAK446GC138B	O-RING			
8	MAK21AX750	NUT, Adjusting			
9	MAK417GC25A	SCREW, Adjusting			
10	MAK369GC314AP2	PUSHROD, Intake and Exhaust (Non-Dynatard)			
11	MAK369GC255A	PUSHROD, Exhaust (w/ Dynatard)			
12	MAK72GC347	LIFTER			
12	MAK72GC357	LIFTER (Current, w/o Oil Hole)			
13	MAK421GC171	SCREW, Locking (3/8in-16 x 7/8in)			
14	MAK36AX3	WASHER			
15	MAK44GB459B	ARM, Exhaust Rocker (Dynatard)			
16	MAK466GC458	SHAFT, Rocker Arm (Dynatard)			
17	MAK73GC27D	ADJUSTER, Lash (Dynatard Assembly only)			
18	MAK44GB458AP2	ARM, Intake Rocker			
19	MAK57GC198	KIT, Solenoid (12 VDC) Includes O-Ring (1)EGA-1177			
20	MAK146GB332P2	BRACKET, Support (w/o Oil Hole, 2 req'd per Head)			
21	MAK446GC1149	O-RING (Dynatard Solenoid)			
22	MAK590GB1327P1	RING			
23	MAK49AX242	PLUG, Rocker Arm Shaft (1/16in-27 NPT)			
24	MAK148GC19	NUT, Adjusting			
25	MAK21AX873	NUT, Valve Yoke Screw			
26	MAK891GC217	YOKE, Valve (Button Design)			
27	MAK421GC257A	SCREW, Yoke Adjusting			
28	MAK466GC391	SHAFT, Rocker Arm (Non-Dynatard)			



E6 SERIES SECTION – PISTON KITS, CYLINDER KITS, RING SETS AND SLEEVES

KEY	OEM REF	DESCRIPTION	KEY	OEM REF	DESCRIPTION
1	MAK353GC241JP1	RING, Set (Bore Dia. 4.875in) (Use w/ EPA-8071 Piston Kit) Includes (2)Keystone Chrome (1)Keystone Ductile, Tapered Face (1)3/16in Oil, Narrow Rail	1	MAK353GC240CP1	RING, Set (Bore Dia. 4.875in) (Use w/ EPA-8071 & EPA-8091 Piston Kits) Includes (2)Keystone Chrome (1)Keystone Ductile, Tapered Face (1)3/16in Oil, Wide Rail
1	MAK353GC241JP1	RING, Set (Bore Dia. 4.875in) Includes(Premium Grade) (2)Keystone Chrome (1)Keystone Ductile, Tapered Face (1)3/16in Oil, Narrow Rail	1	MAK353GC253AP1	RING, Set (Bore Dia. 4.875in) Includes (2)Keystone Chrome (1)Flat Ductile, Tapered Face (1)3/16in Oil, Wide Rail
1	MAK353GC241BP1	RING, Set Bore Dia. 4.875in Includes (2)Keystone Chrome (1)Keystone Ductile, Tapered Face (1)3/16in Oil, Narrow Rail	1	MAK353GC2121	RING, Set (STD) (Bore Dia. 5.000in) (Use w/ EPA-8081 Piston Kit) Includes (2)Keystone Chrome (1)Flat Ductile, Tapered Face (1)3/16in Oil, Wide Rail
1	MAK353GC280B	RING, Set (Longlife) (Bore Dia. 4.875in) (Use w/ EPA-8074, EPA-8075 & EPA-8076 Piston Kits) Includes(2)Keystone Chrome, Plated Lower Side (1)Keystone Chrome, Tapered Face (1)3/16in Oil, Wide Rail	1	MAK353GC226P1	RING, Set (Bore Dia. 4.875in) Includes (2)Keystone Chrome (1)Flat Ductile, Tapered Face (2)3/16in Oil, Wide Rail
1	MAK353GC241SP1	RING, Set (Premium Grade) (Bore Dia. 4.875in) (Use w/ EPA-8071, EPA-8074, EPA-8075, EPA-8076 Piston Kits) Includes (2)Keystone Chrome (1)Keystone Ductile, Tapered Face (1)3/16 Oil, Wide Rail	2	MAK240GC1550AP1	KIT, Piston (Bore Dia. 4.875in) (2VH) (4 Ring) (15.0:1 Compression Ratio) (Pin Dia. 2in) Includes Pin, Retaining Rings, 1 pc. Piston
1	MAK353GC241CP1	RING, Set (Bore Dia. 4.875in) Includes (2)Keystone Chrome (1)Keystone Ductile, Tapered Face (1)3/16in Oil, Wide Rail	2	MAK57GC283A	KIT, Piston (Bore Dia. 4.875in) (2VH) (4 Ring) (Long Life) (15.0:1 Compression Ratio) (Pin Dia. 2in) Includes Pin, Retaining Rings, 1 pc. Piston
1	MAK353GC2139	RING, Set (Bore Dia. 4.875in) (Use w/ EPA-8074, EPA-8075 & EPA-8076 Piston Kits) Includes (2)Keystone Plasma (1)Keystone Chrome, Tapered Face (1)3/16 Oil, Wide Rail	2	MAK57GC282A	KIT, Piston (Bore Dia. 4.875in) (2VH) (4 Ring) (Compression Ratio 17.1:1) (Pin Dia. 2in) Includes Pin, Retaining Rings, 1 pc. Piston
			2	MAK215SB228	KIT, Piston (Bore Dia. 4.875in) (4VH) (4 Ring) (Pin Dia. 2in) Includes Pin, Retaining Rings, 1 pc. Piston

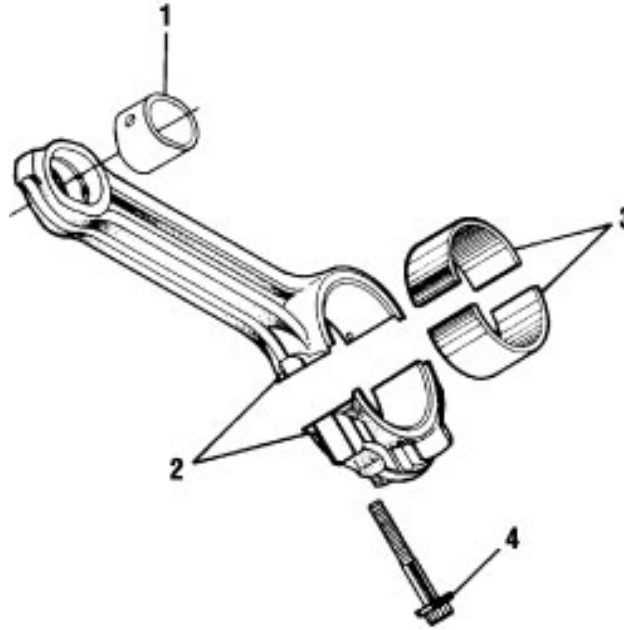
Continued



E6 SERIES SECTION – PISTON KITS, CYLINDER KITS, RING SETS AND SLEEVES

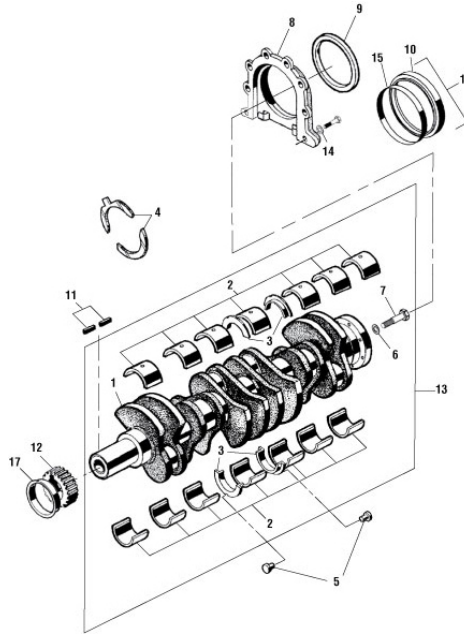
Continued

KEY	OEM REF	DESCRIPTION	KEY	OEM REF	DESCRIPTION
2	MAK240GC1521CP1	KIT, Piston (Bore Dia. 4.875in) (2VH) (4 Ring) (15.0:1 Compression Ratio) (Pin Dia. 1-7/8in) Includes Pin, Retaining Rings, 1 pc. Piston	3	MAK509GC284AP20	SLEEVE, Cylinder (Bore Dia. 4.875in) (Turbo Engine Using Head Gasket w/ Fire Rings)
3	MAK509GC3155P6	SLEEVE, Cylinder (Bore Dia. 5.000in) (Not Beaded)	3	MAK509GC284AP30	SLEEVE, Cylinder (Bore Dia. 4.875in) (Turbo Engine Using Head Gasket w/ Fire Rings)
3	MAK509GC284AP1	SLEEVE, Cylinder (Bore Dia. 4.875in) (Turbo Engine Using Head Gasket w/ Fire Rings)	4	MAK57GC366BP(*)	KIT, Cylinder (15.0:1 Compression Ratio) Includes Sleeve (1)ESL-8280-STD Piston (1)EPA-8071 Ring Set (1)EPR-1820C (6 req'd per engine)
3	MAK509GC284AP2	SLEEVE, Cylinder (Bore Dia. 4.875in) (Turbo Engine Using Head Gasket w/ Fire Rings)	4	MAK57GC366BP(*)	KIT, Cylinder (Premium) (15.0:1 Compression Ratio) Includes Sleeve (1)ESL-8280-STD Piston (1)EPA-8071 Ring Set (1)EPR-1810 (6 req'd per engine)
3	MAK509GC284AP4	SLEEVE, Cylinder (Bore Dia. 4.875in) (Turbo Engine Using Head Gasket w/ Fire Rings)	4	MAK57GC376P(*)	KIT, Cylinder (Longlife) (2VH) (15.0:1 Compression Ratio) Includes Sleeve (1)ESL-8280-STD Piston (1)EPA-8074 Ring Set (1)EPR-1816 (6 req'd per engine)
3	MAK509GC284AP6	SLEEVE, Cylinder (Bore Dia. 4.875in) (Turbo Engine Using Head Gasket w/ Fire Rings)	4	MAK57GC355BP(*)	KIT, Cylinder (2VH) (17.0/1) Includes Sleeve (1)ESL-8280-STD Piston (1)EPA-8075 Ring Set (1)EPR-1816 (6 req'd per engine)
3	MAK509GC284AP8	SLEEVE, Cylinder (Bore Dia. 4.875in) (Turbo Engine Using Head Gasket w/ Fire Rings)	4	MAK57GC368AP(*)	KIT, Cylinder (4VH) Includes Sleeve (1)ESL-8280-STD Piston (1)EPA-8076 Ring Set (1)EPR-1816 (6 req'd per engine)
3	MAK509GC284AP10	SLEEVE, Cylinder (Bore Dia. 4.875in) (Turbo Engine Using Head Gasket w/ Fire Rings)	5	MAK182GC1356P3	PIN, Piston
3	MAK509GC284AP12	SLEEVE, Cylinder (Bore Dia. 4.875in) (Turbo Engine Using Head Gasket w/ Fire Rings)	6	MAK97AX124	RING, Retaining
3	MAK509GC284AP15	SLEEVE, Cylinder (Bore Dia. 4.875in) (Turbo Engine Using Head Gasket w/ Fire Rings)			



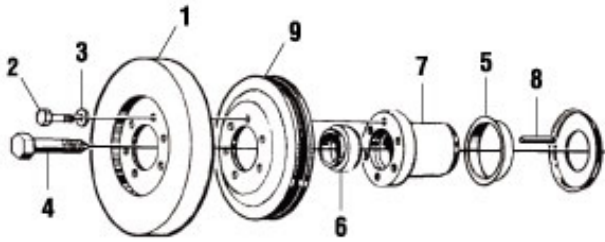
**E6 SERIES SECTION – CONNECTING RODS,
 ROD BEARINGS AND COMPONENTS**

KEY	OEM REF	DESCRIPTION	KEY	OEM REF	DESCRIPTION
1	MAK187GB138	BUSHING, Pin (For 2in Pin)	3	MAK62GB2393P20	BEARING, Connecting Rod (E6-350/4VH and Late E6/2VH) (Pair: (1)Upper (1)Lower) (Not Interchangeable) (Used in ECR-2086 Connecting Rod) (6 req'd per Engine)
2	MAK367GC3219P2	ROD, Connecting (Uses EBG-8330-(*) Bearing) (May be used to replace MAK 367GC3170 Early Rods in sets only) Includes Screws (2)ESC-2090 Bushing (1)EBG-8020	3	MAK62GB2393P30	BEARING, Connecting Rod (E6-350/4VH and Late E6/2VH) (Pair: (1)Upper (1)Lower) (Not Interchangeable) (Used in ECR-2086 Connecting Rod) (6 req'd per Engine)
2	MAK367GC4247P2	ROD, Connecting (Uses EBG-8331-(*) Bearing) (E6-350/4VH and Late E6/2VH) Includes Screws (2)ESC-2090 Bushing (1)EBG-8020	4	MAK396GC139	SCREW, Connecting Rod (All E6 Engines) (5/8in-18 x 2-1/2in) (2 req'd per Rod)
3	MAK62GB2382	BEARING, Connecting Rod (Pair) (END673/707/711, ENDT673/675/676) (Used in ECR-2085 Connecting Rod) (6 req'd per Engine)			
3	MAK62GB2382P10	BEARING, Connecting Rod (Pair) (END673/707/711, ENDT673/675/676) (Used in ECR-2085 Connecting Rod) (6 req'd per Engine)			
3	MAK62GB2382P20	BEARING, Connecting Rod (Pair) (END673/707/711, ENDT673/675/676) (Used in ECR-2085 Connecting Rod) (6 req'd per Engine)			
3	MAK62GB2382P30	BEARING, Connecting Rod (Pair) (END673/707/711, ENDT673/675/676) (Used in ECR-2085 Connecting Rod) (6 req'd per Engine)			
3	MAK62GB2393P1	BEARING, Connecting Rod (E6-350/4VH and Late E6/2VH) (Pair: (1)Upper (1)Lower) (Not Interchangeable) (Used in ECR-2086 Connecting Rod) (6 req'd per Engine)			
3	MAK62GB2393P10	BEARING, Connecting Rod (E6-350/4VH and Late E6/2VH) (Pair: (1)Upper (1)Lower) (Not Interchangeable) (Used in ECR-2086 Connecting Rod) (6 req'd per Engine)			



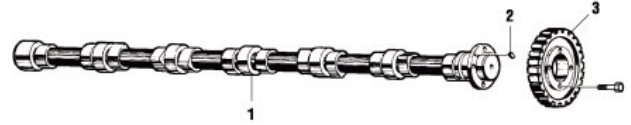
E6 SERIES SECTION – CRANKSHAFT

KEY	OEM REF	DESCRIPTION	KEY	OEM REF	DESCRIPTION
1	MAK456GC5113P1	CRANKSHAFT	9	MAK446GC25P2	SEAL, Rear Crankshaft (Lead) (.156in Dia.)
2	MAK215SB72CP1	KIT, Main Bearing (STD)	9	MAK446GC238B	SEAL, Rear Crankshaft (Neoprene) (Use w/o Wear Ring)
2	MAK215SB72CP2	KIT, Main Bearing (.010in Under)	9	MAK446GC310P10	SEAL, Rear Crankshaft (Teflon)
2	MAK215SB72CP3	KIT, Main Bearing (.020in Under)	10	MAK446GC235A	SEAL, Rear Crankshaft (Neoprene) (Use w/ Wear Ring)
2	MAK215SB72CP4	KIT, Main Bearing (.030in Under)	11	MAK42AX550	KEY, Hub
2	MAK215SB72D-P1	KIT, Main Bearing (STD) Includes Thrust Washer Kit	11	MAK42AX620	KEY, Timing Gear
2	MAK215SB72DP2	KIT, Main Bearing (.010in Under) Includes Thrust Washer Kit	12	MAK670GB239	GEAR, Timing
2	MAK215SB72DP3	KIT, Main Bearing (.020in Under) Includes Thrust Washer Kit	13	MAK456GC2125	KIT, Crankshaft (2VH, 6 Cylinder) Includes Crankshaft (1)EM21240 Rod Bearing (6)EBG-8330-STD Main Bearing Kit (1)EMS-8575-STD Screws (6)ESC-1610 Washers (6)EWA-1782
2	MAK215SB72DP4	KIT, Main Bearing (.030in Under) Includes Thrust Washer Kit	13	MAK456GC2139	KIT, Crankshaft (4VH, 6 Cylinder) Includes Crankshaft (1)EM21240 Rod Bearings (6)EBG-8331-STD Main Bearing Kit (1)EMS-8575-STD Screws (6)ESC-1610 Washers (6)EWA-1782
3	MAK57GC279	KIT, Thrust Bearing (STD) Includes Pin (1)EPN-2762	14	MAK36AX22	WASHER (5/16in ID) (8 req'd)
3	MAK714GC216P2	KIT, Thrust Bearing (.002in Over) Includes Pin (1)EPN-2762	15	MAK532GC220B	RING, Wear (Rear Crankshaft)
4	MAK57GC2110	KIT, Washer Includes Washers (1)EWA-2766-STD (1)EWA-2768-STD	15	MAK532GC222A	RING, Wear (Rear Crankshaft) (Use w/ Flanged Crank)
5	MAK183GC23	PIN, Lock (2 req'd) (Use w/ Thrust Washer Kits)	16	MAK57GC186A	KIT, Seal and Wear Ring Includes Seal (1)ESE-7965 Wear Ring (1)ERG-3790
6	MAK711GC1100P9	WASHER, Flywheel (6 req'd) (1-1/8in OD x 5/8in ID x 3/16in thk)	16	MAK57GC187A	KIT, Seal and Wear Ring Includes Seal (1)ESE-7965 Wear Ring (1)ERG-3791
6	MAK711GC1146	WASHER, Flywheel (6 req'd) (1-1/8in OD x 5/8in ID x 1/8in thk) (Opt)	17	MAK1458-99325	RING, Wear (Front Crankshaft Hub)
7	MAK419GC113B	SCREW, Flywheel (6 req'd) (5/8in-18 x 1-3/4in)			
8	MAK759GB429	RETAINER, Rear Seal (Neoprene Seal) (ESC-2192 Pan Bolts, 1/2in)			
8	MAK759GB430	RETAINER, Rear Seal (Neoprene Seal, Flanged Crank) (ESC-2192 Pan Bolts, 1/2in)			
8	MAK759GB431	RETAINER, Rear Seal (Neoprene Seal) (ESC-0015 Pan Bolts, 3/8in)			
9	MAK446GC25P1	SEAL, Rear Crankshaft (Lead) (.125in Dia.)			



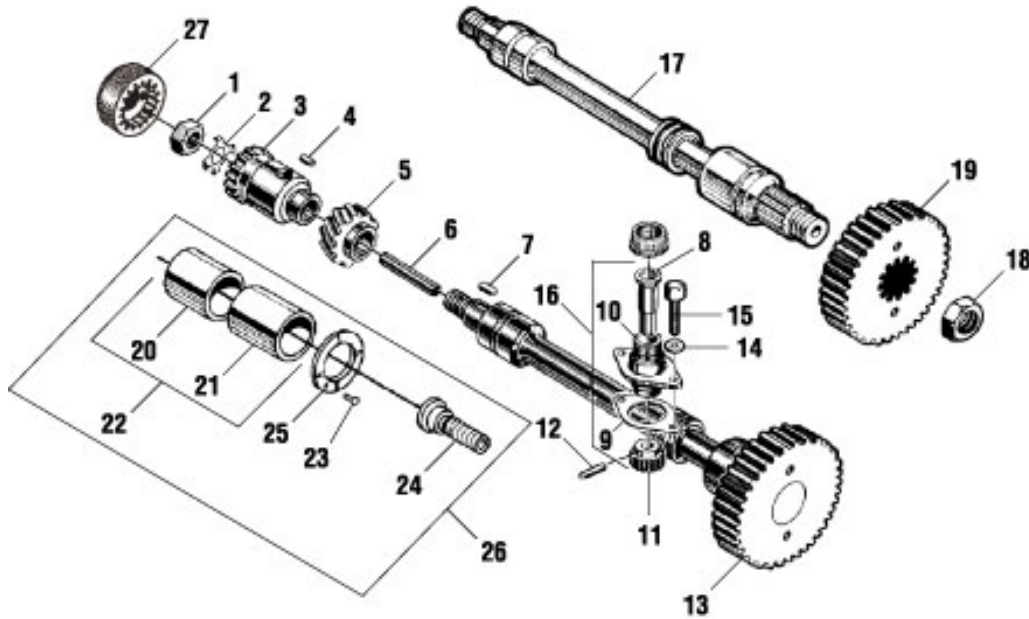
E6 SERIES SECTION – CRANKSHAFT DAMPERS, HUBS AND PULLEY

KEY	OEM REF	DESCRIPTION
1	MAK404GB471	DAMPER, Harmonic (Non-Intercooled w/ Brake) (Except MB Chassis)(Graduated Scale) (Requires use of MAK 796GB271P1 Indicator) (Viscous END707, END711, END673A, ENDT673C)
1	MAK404GB472	DAMPER, Harmonic (Intercooled) (All Chassis) (Graduated Scale) (Requires use of MAK 796GB271P1 Indicator) (Viscous ENDT676, ENDTB676)
1	MAK404GB469	DAMPER, Harmonic (Non-Intercooled)(Except MB Chassis) (Pointer)(Requires use of 796GB317P4 Indicator) (Viscous ET673E, ETB673, ETY673E, ETZ673, ETZ673B, ETZ673C, ETZB673C, ETZ673E, E6-200, EM6-231, E6-235, EM6-237, EME6-237, E6-250, E6-260, ENDT675, ENDTB675, ETAB675, ETY675, ETYB675, ETZ675, ETZB675)
1	MAK404GB470	DAMPER, Harmonic (Intercooled)(Except MC & MR Chassis) (Pointer)(Requires use of 796GB317P4 Indicator) (Viscous ETA673A, ETAY673A, ETAYB673A, ETAZ673, ETAZ673A, ETAZB673, ETAZB673A, ETA676, ETAB676, ETAB676B, ENDT676, ENDTB676B, EM6-250, EMC6-250L, EM6-250L-4VH, EM6-275L, EM6-275R, E6-275-4VH, EM6-275-4VH, EM6-275L-4VH, EM6-285, EME6-285, EM6-300, EM6-300R, E6-300-4VH, EM6-300-4VH, EME6-310, E6-315, E6-320, E6-330, E6-350, E6-360R, E6-350-4VH, EC6-350-4VH)
2	MAK421GC1139	SCREW (7/16in-14 x 1-1/8in)
3	MAK35AX1361U	WASHER, Hub (Long)
4	MAK436GC16	SCREW, Hub (7/8in-14 x 3in)
5	MAK1458-99325	RING, Wear (Front Crankshaft Hub) (May be used w/ EOS-8820 & EOS-8821 Seals)
6	MAK710GC145P2	WASHER, Hub (Long)
6	MAK710GC211	WASHER, Hub (Short)
7	MAK788GB283P7	HUB, Crankshaft (Short)(2 Belt) (4.7in)
7	MAK788GB283P5	HUB, Crankshaft (Long) (3 Belt) (5.4in)
8	MAK42AX550	KEY, Hub (Crankshaft)
8	MAK42AX620	KEY, Timing Gear (Crankshaft)
9	MAK302GC2188A	PULLEY, Crankshaft (2 Belt)



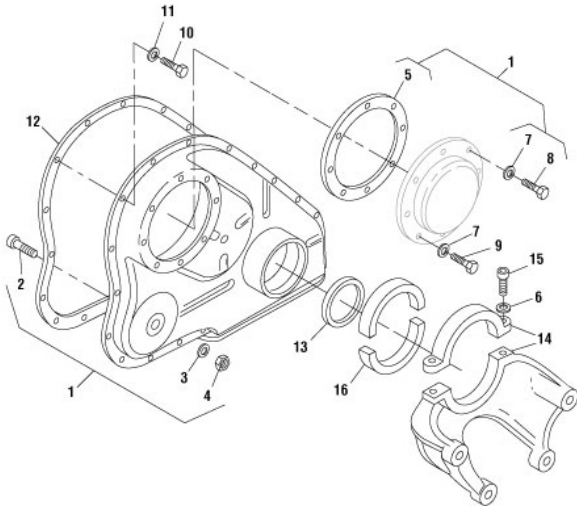
E6 SERIES SECTION – CAMSHAFT

KEY	OEM REF	DESCRIPTION
1	MAK454GC568B	CAMSHAFT (2VH) (Brake/Non Brake EM6-300 Series)
1	MAK454GC578C	CAMSHAFT (4VH)
1	MAK454GC580A	CAMSHAFT (2VH) (Large #7 Journal)
2	MAK42AX214	KEY, Timing Gear
3	MAK668GB235	GEAR, Timing



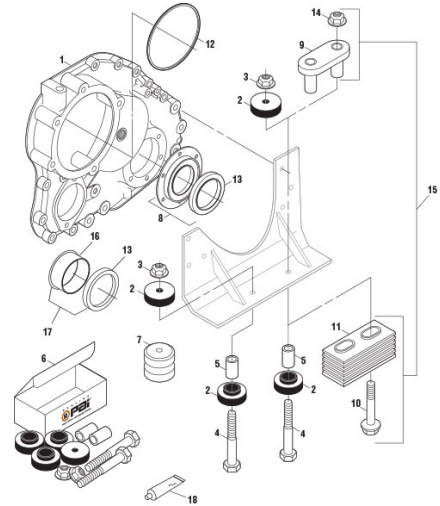
E6 SERIES SECTION – AUXILIARY SHAFT AND DRIVE COMPONENTS

KEY	OEM REF	DESCRIPTION	KEY	OEM REF	DESCRIPTION
1	MAK20AX21	NUT	22	N/A	KIT, Auxiliary Bearing (Late E6) (w/ Aluminium Timing Cover) Includes Bearings (1)EAB-8669 (1)EAB-8680
2	MAK83GC11	LOCK	22	N/A	KIT, Auxiliary Bearing Includes Bearings (1)EAB-8670 (1)EAB-8680
3	MAK320GB279	COUPLING, Compressor (18 Teeth)	23	MAK31AX638	PIN, Thrust Washer Locating (Knurled)
4	MAK42AX336	KEY	24	MAK395GC110A	SCREW,Thrust (2 req'd)
5	MAK683GB1154A	GEAR, Oil Pump Drive (17 Teeth)	25	MAK701GC11A	KIT, Thrust Bearing Includes Pin (1)EPN-2764 (1)Thrust Bearing
6	MAK201GC110	TUBE, Oil	26	MAK57GC267	KIT, Auxiliary Bearing Includes Thrust Bearing Kit (1)ETB-8690 Auxiliary Bearing Kit (1)EAB-8860
7	MAK42AX177	KEY	27	MAK320GB327A	HUB, Compressor Drive
8	MAK465GC13	SHAFT, Tachometer Drive			
9	MAK598GB11C	GASKET, Tachometer Drive			
10	MAK769GB23	HOUSING, Tachometer Drive Shaft			
11	MAK685GB11	KIT, Tachometer DriveGear Includes Pin (1)EPN-2984 (1)Gear			
12	MAK31AX13	PIN, Tachometer Drive			
13	MAK453GC348A	SHAFT, Auxiliary (w/ Integral Gear)			
14	MAK37AX5	WASHER (2 req'd)			
15	MAK4AX2	SCREW (2 req'd)			
16	N/A	ASSEMBLY, Drive Includes Shaft (1)ESH-2985 Housing (1)ETH-2988 Gasket (1)EGS-3900-024 Gear (1)EGE-2983-001 Pin (1)EPN-2984			
17	MAK453GC239M	ASSEMBLY, Auxiliary Shaft (Current) Includes (1)Shaft (1)Plug			
18	MAK142GC1103M	NUT, Auxiliary Shaft (Use w/ EAS-8734 Auxiliary Shaft Assembly)			
19	MAK667GB310AM	GEAR, Shaft Auxiliary Drive			
20	MAK61GB215	BEARING, Rear Auxiliary (Required when installing early Auxiliary Shaft in new Block)			
20	MAK61GB15C	BEARING, Rear Auxiliary			
21	MAK61GB33	BEARING, Front Auxiliary (w/ Aluminium Timing Cover)			
21	MAK61GB14C	BEARING, Front Auxiliary			



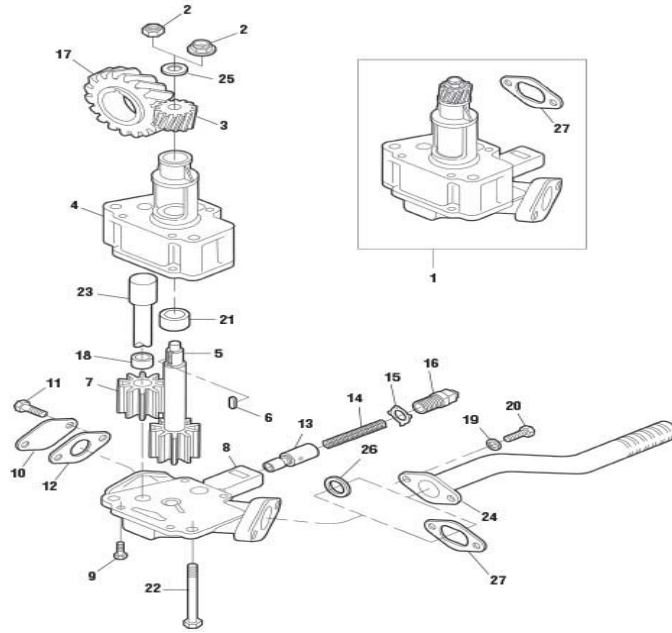
E6 SERIES SECTION – TIMING COVER AND FRONT MOUNT – STEEL TIMING COVER

KEY	OEM REF	DESCRIPTION
1	MAK333GB141DP3	KIT, Timing Cover (Tapped for 1/2in Pan Bolts) Includes Cover (1)ETC-2035-001 Gaskets (1)EGS-3900-041 (1)EGS-3900-049 Screws (2)ETC-2035-010 (6)ETC-2035-016 (2)ETC-2035-017 Washer (8)ETC-2035-018 (2)ETC-2035-019 Nuts (2)ETC-2035-015
1	MAK333GB274	KIT, Timing Cover (Tapped for ESC-0015 3/8in Pan Bolts) Includes Cover (1)ETC-2036-001 Gaskets (1)EGS-3900-041 (1)EGS-3900-049 Washers (8)ETC-2035-018 (2)ETC-2035-019 Screws (2)ETC-2035-010 (6)ETC-2035-016 (2)ETC-2035-017 Nut (2)ETC-2035-015
2	MAK395GC110A	SCREW, Thrust
3	MAK39AX25	WASHER
4	MAK21AX338	NUT, Lock
5	MAK590GB236A	GASKET, Gear Cover
6	MAK36AX7X	WASHER
7	MAK37AX421	WASHER
8	MAK3AX1641	SCREW (5/16in-24 x 3/4in) (2 req'd)
9	MAK3AX1767	SCREW (5/16in-24 x 3/4in) (6 req'd)
10	MAK6AX1306X	SCREW (3/8in-16 x 7/8in) (19 req'd)
11	MAK37AX7U	WASHER
12	MAK548GB41D	GASKET, Timing Cover
13	MAK446GC181	SEAL (Neoprene) (4-1/4in OD)
13	MAK446GC316	SEAL (Neoprene) (4in OD) (Current) (May be used w/ ERG-3792 Wear Ring)
13	MAK446GC310P2	SEAL (Teflon)(4in OD)
14	MAK10QL3205	ASSEMBLY, Front Mount (Steel Timing Cover Only) Includes Washers (2)BWA-0054 Screws (2)ESC-0088
15	MAK6AX949	SCREW (5/8in-11 x 1-3/4in)
16	MAK20QL1166	INSULATOR, Front Motor
16	MAK20QL1171	INSULATOR, Front Motor (Use w/ QEB-1590 Front Mount)
16	MAK20QL281	INSULATOR, Front Motor
17	MAK1458-99325	RING, Wear
18	N/A	KIT, Front Seal (Neoprene) Includes Seal (1)EOS-8820 Wear Ring (1)ERG-3792
18	N/A	KIT, Front Seal (Teflon) Includes Seal (1)EOS-8821 Wear Ring (1)ERG-3792



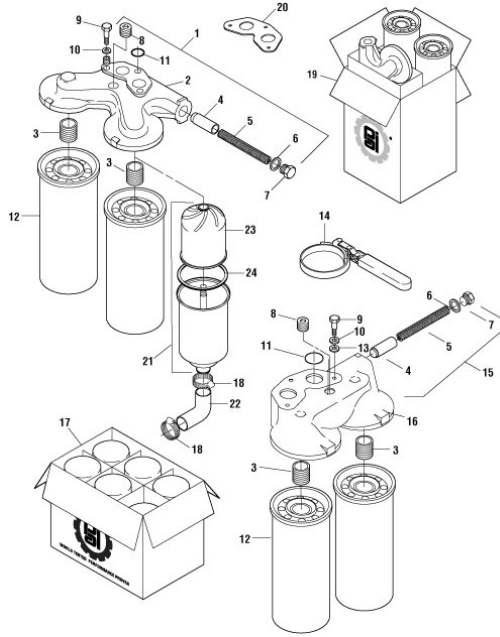
E6 SERIES SECTION – TIMING COVER AND FRONT MOUNT – ALUMINUM TIMING COVER

KEY	OEM REF	DESCRIPTION
1	MAK333GB5135M	COVER, Timing (Aluminum)
2	MAK20QL313M	INSULATOR, Front Engine (3-1/2in OD)
2	MAK20QL312M2	INSULATOR, Front Engine (2-5/8in OD)
3	MAK171AM6	NUT
4	MAK27AM35	SCREW (M16 x 2 x 100)
5	MAK73RU12254M	SPACER
6	N/A	KIT, Front Engine Mounting (CH, CX, RB & RD Models) Includes Insulators (4)FMT-4658 Nuts (2)FNU-0402 Screws (2)FSC-0374 Spacers (2)FSP-4657
7	MAK20QL37P4	INSULATOR, Engine (Front Auxiliary Transmission Mount)
8	MAK449GC32	ASSEMBLY, Oil Seal
9	MAK20QL329	MOUNT, Upper Front (CH Model)
10	MAK27AM38	SCREW, Motor Mount (M16-2 x 130) (2 req'd)
11	MAK20QL322	MOUNT, Lower Front Engine (CH Model)
12	MAK56AX548	O-RING
13	MAK446GC316	SEAL (Neoprene) (4in OD) (Current) (May be used w/ ERG-3792 Wear Ring)
13	MAK446GC310P2	SEAL (Teflon) (4in OD)
14	MAK191AM6	NUT, Locking
15	N/A	KIT, Front Engine Mount Includes Mounts (1)FMT-4992 (1)FMT-4993 Screws (2)FSC-0377 Nuts (2)FNU-0402
16	MAK1458-99325	RING, Wear
17	N/A	KIT, Front Seal (Neoprene) Includes Seal (1)EOS-8820 Wear Ring (1)ERG-3792
17	N/A	KIT, Front Seal (Teflon) Includes Seal (1)EOS-8821 Wear Ring (1)ERG-3792
18	MAK3092340	SEALANT, Silicone (Cartridge gun tube 310 ml)
18	MAK342SX32	SEALANT, Silicone (Used to seal Timing Cover)



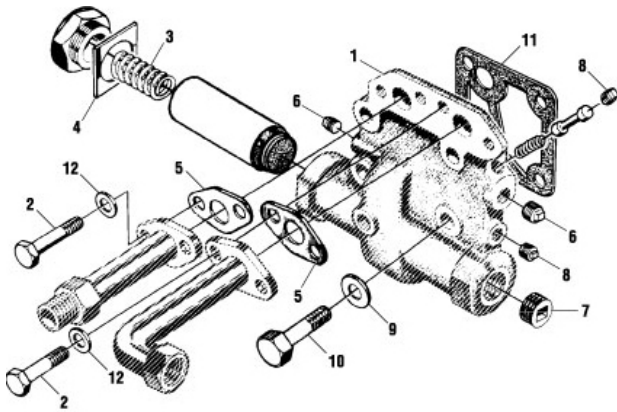
E6 SERIES SECTION – OIL PUMP ASSEMBLY

KEY	OEM REF	DESCRIPTION	KEY	OEM REF	DESCRIPTION
1	MAK315GC3118H	ASSEMBLY, Oil Pump (Low Pressure) Includes Gears (1)EGE-2590 (1)EGE-8910 (1)EGE-8920 Housing Assembly (1)EPB-3352 Covers (1)EPC-3353 (1)EPR-3357 Plunger (1)EPL-2061 Spring (1)ESP-3354 Gasket (1)EGK-3349 (1)EGS-3900-018 Screws (4)ESC-0007 (2)ESC-0854 Nuts (1)BNU-0195 (1)ENU-3355 Lock (1)EPR-3356 Key (1)EKY-2644 O-Ring (1)EGA-2997	11	MAK6AX1591	SCREW, Flanged (Hex) (3/8in-16 x 3/4in)
1	MAK315GC445G	ASSEMBLY, Oil Pump (High Pressure) Includes Gears (1)EGE-2590 (1)EGE-8910 (1)EGE-8920 Housing Assembly (1)EPB-3352 Covers (1)EPC-3353 (1)EPR-3357 Plunger (1)EPL-2061 Spring (1)ESP-3354 Gasket (1)EGK-3349 (1)EGS-3900-018 Screws (4)ESC-0007 (2)ESC-0854 Nuts (1)BNU-0195 (1)ENU-3348 Lock (1)EPR-3356 Key (1)EKY-2644 O-Ring (1)EGA-2997	12	MAK590GB1243A	GASKET
2	MAK21AX638	NUT, Lock (Nylon Insert)	13	MAK296GC135	PLUNGER, Valve
2	MAK21AX872	NUT, Lock (Flanged)(Opt)	14	MAK572GC114	SPRING
3	MAK683GB273	GEAR, Oil Pump	15	MAK85GC11	LOCK, Nut
4	MAK767GB238B	ASSEMBLY, Housing Includes Bushings (2)EBG-3359 Shaft (1)ESH-3358 (1)Housing	16	MAK226GB122	NUT, Relief Valve (For EOP-3351 Oil Pump Assembly)
5	MAK463GC31B	GEAR, Shaft	16	MAK226GB147	NUT, Relief Valve (For EOP-3350 Oil Pump Assembly)
6	MAK42AX336	KEY	17	MAK683GB1154A	GEAR, Drive
7	MAK683GB1144B	GEAR, Idler Includes Bushings (2)EBG-8921	18	MAK186GB169	BUSHING
8	MAK350GB44E	COVER, Housing	19	MAK35AX1345	WASHER
9	MAK6AX1291X	SCREW (1/4in-20 x 5/8in)	20	MAK6AX1308X	SCREW (3/8in-16 x 1-1/4in)
10	MAK332GB145	COVER	21	MAK186GB172A	BUSHING
11	MAK6AX1304X	SCREW (3/8in-16 x 5/8in)	22	MAK6AX1317X	SCREW (Short) (7/16in-14 x 1-1/4in)
			22	MAK416GC115	SCREW (Long) (7/16in-14 x 4in)
			23	MAK464GC145A	SHAFT, Idler
			24	MAK211GC3122	TUBE, Oil Pump Pickup
			25	MAK37AX6	WASHER
			26	MAK56AX470	O-RING
			27	MAK591GB11C	GASKET, Pump Inlet



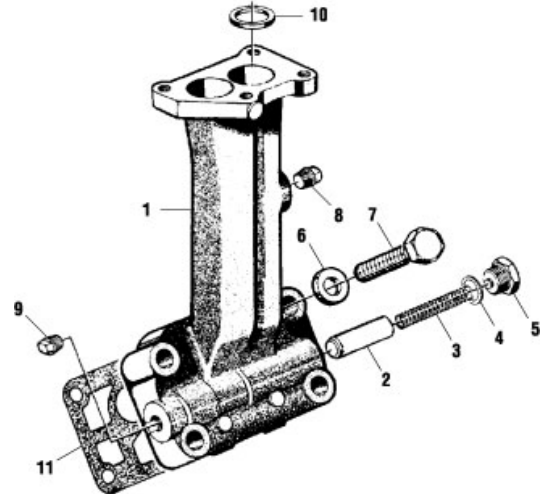
E6 SERIES SECTION – OIL FILTER MOUNTING COMPONENTS

KEY	OEM REF	DESCRIPTION	KEY	OEM REF	DESCRIPTION
1	MAK27GB315	ASSEMBLY, Filter Bracket Includes Bracket Assembly (1)EMT-8527 Plunger (1)EPL-3151 Spring (1)ESP-3155 Washer (1)EWA-3157 Cap (1)ECP-3164 Plug (1)EPP-3573	19	MAK215SB123	KIT, Filter Conversion Includes Bracket Assembly (1)EMT-8524 Plunger (1)EPL-3151 Caps (1)ECP-3152 (2)ECP-3153 Spring (1)ESP-3155 Washer (1)EWA-3156 O-Rings (6)EGA-0472 Nut (1)ENU-3355 Gasket (1)EGS-3900-008 Filters (2)FOF-4570
2	MAK27GB316	ASSEMBLY, Filter Bracket Includes Adapter (3)EAD-0880 (1)Bracket	20	MAK590GB2125	GASKET, Oil Filter Mounting
3	MAK32GB183	ADAPTER, Filter	21	MAK485GB3219D	KIT, Oil Filter Includes Element, Canister & Gasket
4	MAK296GC21A	PLUNGER	22	MAK744GB236A	HOSE
5	MAK572GC130	SPRING	23	MAK57GC2134	FILTER, Oil (Centrifugal Type)
6	MAK38AX53	WASHER	24	MAK590GB2108	O-RING, Oil Filter Housing
7	MAK226GB151	CAP			
8	MAK49AX230	PLUG (1/8in)			
9	MAK4AX1	SCREW (3/8in-16 x 1in)			
10	MAK36AX3	WASHER			
11	MAK446GC1161	O-RING			
12	MAK485GB3191C	FILTER, Oil			
13	MAK37AX7U	WASHER, Flat			
14	N/A	WRENCH, Filter			
15	MAK27GB213E	ASSEMBLY, Filter Bracket Includes Bracket Assembly (1)EMT-8525 Plunger (1)EPL-3151 Spring (1)ESP-3155 Washer (1)EWA-3157 Cap (1)ECP-3164 Plug (1)EPP-3573			
16	MAK27GB46A	ASSEMBLY, Filter Bracket Includes Adapter (2)EAD-0880 (1)Bracket			
17	N/A	KIT, Filter (Refer to Filter kits listed in the Miscellaneous Section)			
18	MAK83AX759	CLAMP			



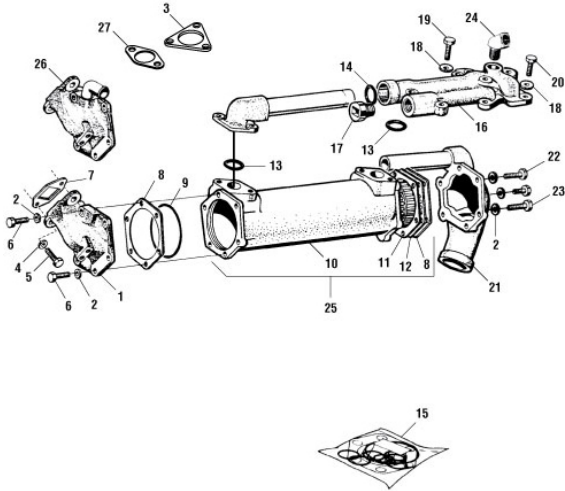
E6 SERIES SECTION – OIL PRESSURE RELIEF VALVE HOUSINGS

KEY	OEM REF	DESCRIPTION
1	MAK766GB323B	HOUSING, Oil Pressure Relief Valve
1	MAK766GB37D	HOUSING, Oil Pressure Relief Valve
2	MAK4AX58	SCREW (3/8in-16 X 7/8in)
3	MAK572GC110	SPRING, Relief Valve
3	MAK572GC122	SPRING, Relief Valve
4	MAK38AX38	WASHER
5	MAK590GB1246	GASKET
6	MAK49AX233	PLUG (3/8in)
7	MAK49AX244	PLUG (1/4in)
8	MAK49AX230	PLUG (1/8in)
9	MAK36AX5	WASHER, Lock(1/2in)
10	MAK4AX289	SCREW (1/2in-13 x 2in)
11	MAK590GB1109B	GASKET
11	MAK590GB1267B	GASKET
11	MAK590GB1266	GASKET
11	MAK590GB1152B	GASKET
12	MAK36AX3	WASHER



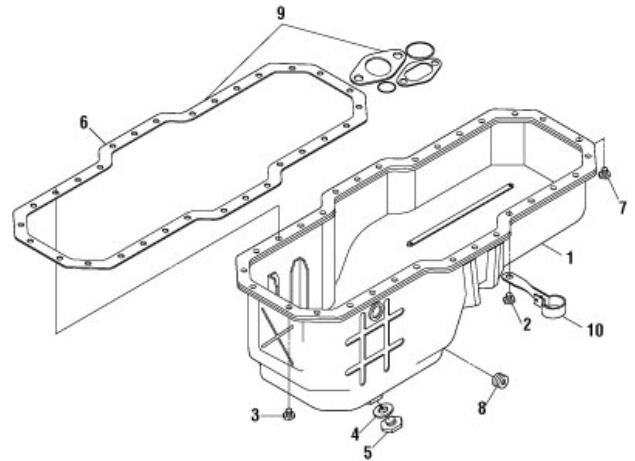
E6 SERIES SECTION – OIL RELIEF VALVE HOUSING

KEY	OEM REF	DESCRIPTION
1	MAK766GB51P2	ASSEMBLY, Housing Relief Valve Includes Plug (1)EPP-3574 (1)Housing
2	MAK296GC21A	PLUNGER
3	MAK572GC130	SPRING
4	MAK38AX52	WASHER
5	MAK226GB148	CAP (High Pressure)
5	MAK226GB146	CAP (Low Pressure)
6	MAK36AX5	WASHER, Lock (1/2in)
7	MAK4AX155	SCREW, Mounting (1/2in-13 x 3-1/2in)
8	MAK49AX230	PLUG (1/8in)
9	MAK49AX233	PLUG (3/8in)
9	MAK49AX234Z	PLUG (1/2in)
10	MAK446GC1161	O-RING
11	MAK590GB1298	GASKET
11	MAK590GB2136	GASKET (E7)



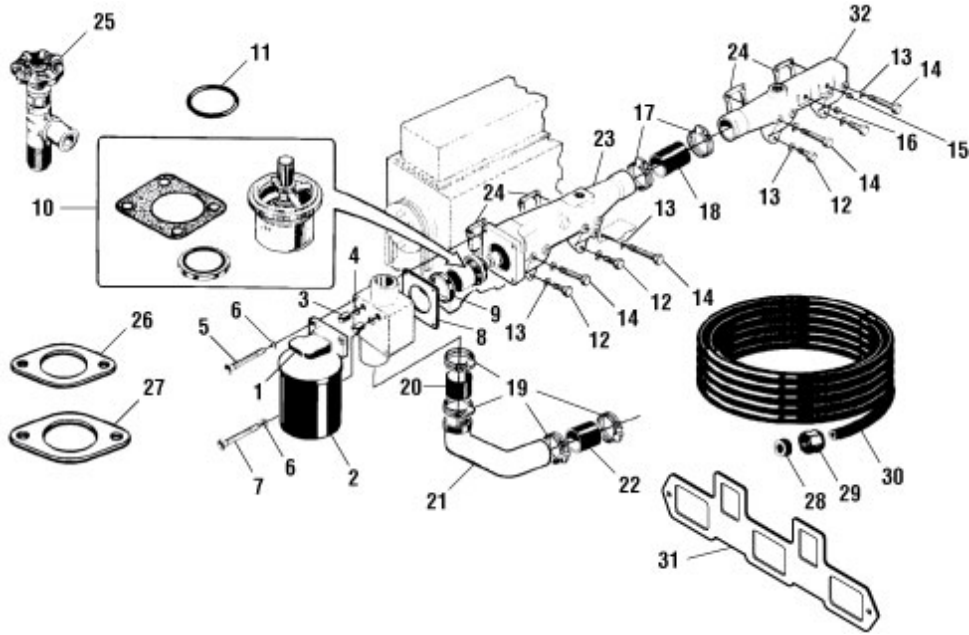
E6 SERIES SECTION – OIL COOLER

KEY	OEM REF	DESCRIPTION
1	MAK493GB3127	HOUSING, Water Outlet
2	MAK36AX22	WASHER
3	MAK590GB1131	GASKET, Water Outlet Elbow
4	MAK36AX4	WASHER
5	MAK4AX49	SCREW
6	MAK4AX339	SCREW
7	MAK56AX392	GASKET
8	MAK549GB28AP1	GASKET
9	MAK446GC225A	O-RING
10	MAK312GB444P2	HOUSING (6 Cylinder)
11	MAK549GB28AP4	GASKET
12	MAK57GC270	CORE, Oil Cooler Core (6 Cylinder) Includes Gasket (1)ECA-8605-001 (1)Core
13	MAK446GC1161	O-RING
14	MAK446GC1160	O-RING
15	N/A	KIT, Oil Cooler (Gasket & O-Ring) Includes Gaskets (1)EGK-3847 (2)EGS-3900-015 (1)EGS-3900-065 O-Rings (1)EGA-0471 (4)EGA-0472 (1)ESE-8962
16	MAK497GB56	KIT, Oil Cooler Manifold Includes Plug (1)EPP-3575
17	MAK49AX234Z	PLUG
18	MAK36AX3	WASHER
19	MAK6AX28	SCREW
20	MAK4AX1	SCREW (3/8in-16 x 1in)
21	MAK493GB454	HOUSING, Water Inlet (Long Tube)
21	MAK493GB2222	HOUSING, Water Inlet (Short Tube)
22	MAK4AX255	SCREW (5/16in-18 x 2-3/4in)
23	MAK6AX1279	SCREW (5/16in-18 x 7/8in)
24	MAK63AX892	FITTING (45 Elbow) (3/8 NPT)
25	MAK312GB367CP2	KIT, Oil Cooler Includes Housing (1)ECH-8606 Oil Cooler Kit (1)ECA-8605-001 Screw (1)ESC-0006 Washer (1)EWA-0061 Core (1)NSS
26	MAK493GB3153	HOUSING, Water Outlet (w/ Tube)
27	MAK605GB13B	GASKET, Water Outlet Elbow



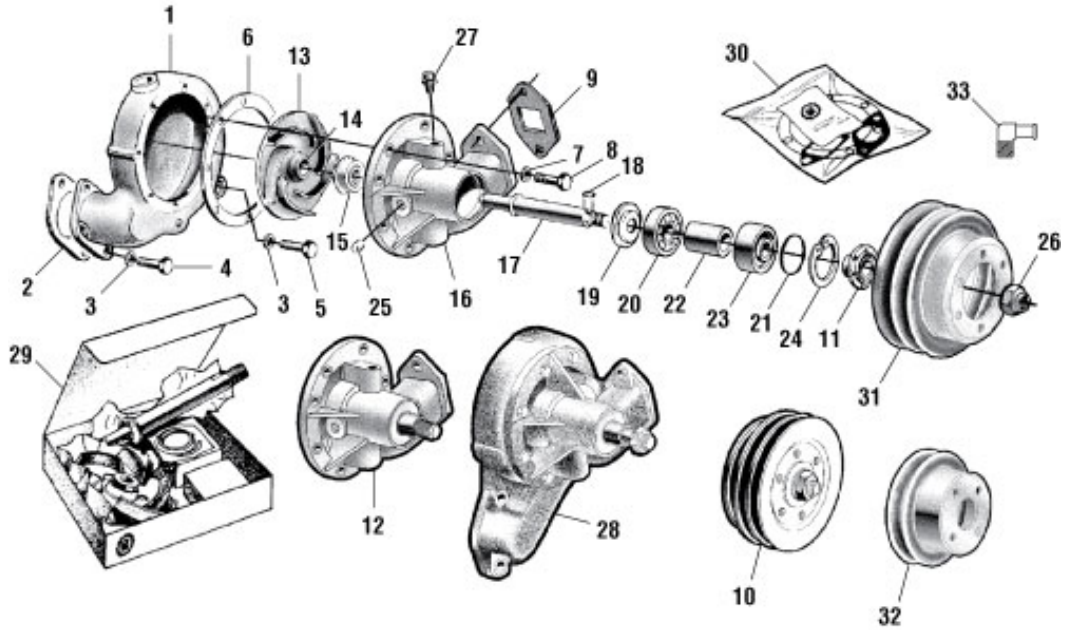
E6 SERIES SECTION – OIL PANS

KEY	OEM REF	DESCRIPTION
1	MAK240GB5199	PAN, Oil (28 qt)
1	MAK240GB5212D	PAN, Oil (ESI+) (51 qt)
1	MAK240GB5218D	KIT, Oil Pan (ESI+) (28 qt) Includes Plugs (1)EPP-3566 (1)EPP-3501 (2)EPP-3575 (2)ENT-3570 Washers (2)EWA-2441
2	MAK6AX1306X	SCREW, Mounting (3/8in-16 x 7/8in) (30 req'd for EOP-2032 Oil Pan) (26 Req'd For EOP-2030 Oil Pan)
3	MAK6AX1552	SCREW, Rear Mounting (1/2in-13 x 7/8in) (2 req'd for EOP-2030 Oil Pan)
4	MAK39AX23	WASHER, Drain
5	MAK49AX188	PLUG, Drain (Magnetic)
6	MAK579GB41C	GASKET, Oil Pan
6	MAK579GB412A	GASKET, Oil Pan (Segmented)
6	MAK579GB41E	GASKET, Oil Pan (Silicone Printed Seal)
6	MAK579GB412B	GASKET, Oil Pan (1/16in thk) (Segmented)
6	MAK579GB41E	GASKET, Oil Pan (1/16in thk)
7	MAK6AX1553X	SCREW, Front Mounting (2 req'd for EOP-2030 Oil Pan)
8	MAK49AX264	PLUG (1-5/8in-12) (w/ O-Ring)
8	MAK49AX226	PLUG, Turbo Drain (1in NPT)
9	N/A	KIT, Pan Gasket Includes Pan Gasket (1)EGK-8414 Washers (1)EWA-2441 (1)EWA-2447 Gaskets (1)EGK-3349 (1)EGS-3900-018 O-Ring (1)EGA-2997
9	N/A	KIT, Pan Gasket Includes Pan Gasket (1)EGK-8412 Washers (1)EWA-2441 (1)EWA-2447 Gaskets (1)EGK-3349 (1)EGS-3900-018 O-Ring (1)EGA-2997
10	MAK83AX930	CLAMP, Hose (Breather Tube) (1-1/2in)



E6 SERIES SECTION – ENGINE COOLING COMPONENTS

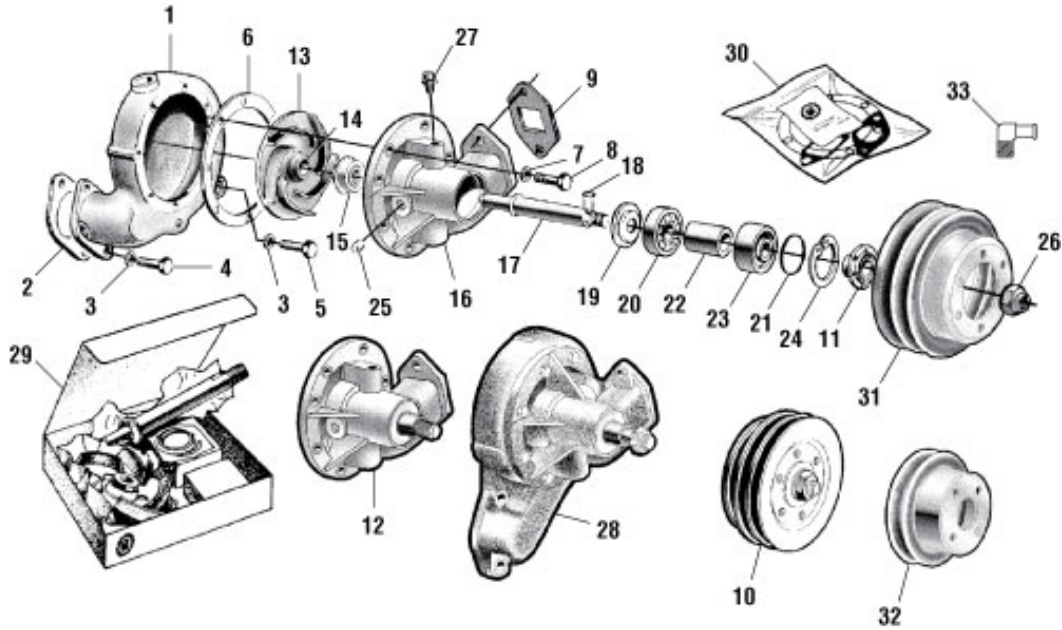
KEY	OEM REF	DESCRIPTION	KEY	OEM REF	DESCRIPTION
1	MAK32GB354P2	BRACKET, Coolant (Use w/ FWF-4520 Filter)	12	MAK4AX1	SCREW (3/8in-16 x 1in)
1	MAK32GB415	BRACKET, Coolant (Use w/ FWF-4521 Filter)	13	MAK36AX3	WASHER
2	MAK25MF435A	FILTER, Coolant (Use w/ EMT-8970 Bracket)	14	MAK4AX194	SCREW (3/8in-16 x 2-1/2in)
2	MAK25MF436	FILTER, Coolant (Use w/ EMT-8971 Bracket)	15	MAK63AX83	PLUG (External Drive)
3	MAK700GC120	VALVE, Check	15	MAK49AX234Z	PLUG
4	MAK56AX393	O-RING	16	MAK49AX233	PLUG
5	MAK4AX174	SCREW (5/16in-18 x 3-1/2in)	17	MAK83AX452	CLAMP
6	MAK36AX22	WASHER, Lock	18	MAK160AX561	HOSE
7	MAK4AX132	SCREW (5/16in-18 x 3in)	19	MAK83AX759	CLAMP
8	MAK590GB1334	GASKET	20	MAK160AX534	HOSE (1-1/2in x 1-3/4in)
9	MAK447GC216A	SEAL	20	MAK11MF2634P10	HOSE (1-1/2in x 3in)
10	MAK215SB165P1	KIT, Thermostat (155°) (Vented) Includes Seal (1)EOS-3305 Gasket (1)EGS-3890-012	21	MAK212GC294B	TUBE
10	MAK215SB165P1	KIT, Thermostat(155 deg.) (Vented) Includes Seal (1)EOS-3305 Gasket (1)EGS-3890-012	21	MAK212GC434	TUBE (Used in FKT-4613 Conversion Kit)
10	MAK215SB165P2	KIT, Thermostat (170°) (Vented) Includes Seal (1)EOS-3305 Gasket (1)EGS-3890-012	22	MAK160AX532P2	HOSE
10	MAK215SB165P2	KIT, Thermostat (170 deg.) (Vented) Includes Seal (1)EOS-3305 Gasket (1)EGS-3890-012	23	MAK107GC4121	MANIFOLD, Front Water Outlet
10	MAK215SB165BP3	KIT, Thermostat (180°) (Vented) Includes Seal (1)EOS-3305 Gasket (1)EGS-3890-012	24	MAK557GB118	GASKET
10	MAK215SB165P3	KIT, Thermostat (180 deg.) (Vented) Includes Seal (1)EOS-3305 Gasket (1)EGS-3890-012	24	MAK605GB11B	GASKET, Manifold (Early)
10	MAK215SB165P4	KIT, Thermostat (185 deg.) (Vented) Includes Seal (1)EOS-3305 Gasket (1)EGS-3890-012	25	MAK25MF126	VALVE, Heater
11	MAK446GC155	O-RING, Thermostat Bypass	26	MAK56AX47	GASKET, Upper Radiator Neck
			27	MAK56AX310	GASKET, Lower Radiator Neck
			28	MAK52AX36	SLEEVE (1/4in Tubing)
			29	MAK63AX3457	NUT (1/4in Tubing)
			30	MAK101AX120RF50	TUBING (1/4in OD, 50ft Roll)
			31	MAK590GB312B	GASKET
			32	MAK107GC4115AP1	MANIFOLD, Rear Water Outlet
			33--	MAK56AX311	GASKET, Lower Thermostat (Early) (not shown)
			33--	MAK447GC146	GASKET, Upper Thermostat (Early) (not shown)



E6 SERIES SECTION – WATER PUMP

KEY	OEM REF	DESCRIPTION	KEY	OEM REF	DESCRIPTION
1	MAK771GB480A	HOUSING, Water Pump	12	N/A	ASSEMBLY, Water Pump (Short Shaft, Long Housing, Stamped Impeller) Includes EAP-8628 Pulley
1	MAK771GB341	HOUSING, Water Pump Assembly (w/ Tube)	12	MAK316GC184H	ASSEMBLY, Water Pump (Short Housing, Cast Impeller) (Single Row Front Bearing)
1	MAK771GB517	HOUSING, Water Pump	12	MAK316GC184P	ASSEMBLY, Water Pump (Short Housing, Stamped Impeller) (Single Row Front Bearing)
2	MAK56AX107	GASKET	13	MAK379GC36P2	ROTOR (Cast) (Replaceable Ceramic Seal)
3	MAK36AX5	WASHER, Lock (1/2in)	13	MAK379GC38	ROTOR (Stamped)
4	MAK4AX25	SCREW (1/2in-13 x 1-1/2in)	13	MAK379GC316	ROTOR (Stamped) (CH Model)
5	MAK4AX66	SCREW (1/2in-13 x 1-1/4in)	14	N/A	SEAL (Replaceable) (Use w/ ERW-0742 Rotor)
6	MAK610GB233	GASKET (Steel Shim/Foamette)	15	MAK447GC145	SEAL
6	MAK610GB216	GASKET	15	MAK447GC25	SEAL (Use w/ ERW-0742 Rotor)
7	MAK37AX1	WASHER	15	MAK447GC224A	SEAL (Use w/ ERW-0745 Rotor)
8	MAK4AX76	SCREW (5/16in-18 x 5/8in)	15	MAK447GC218	SEAL
9	MAK56AX392	GASKET	16	MAK360GB443B	HOUSING, Water Pump
10	MAK302GC43A	PULLEY, Cast (3 Belt) (2 Groove Drive and 1 Groove for A/C Compressor)	16	MAK360GB140A	HOUSING, Water Pump (Short) (Uses Single Row Front Bearing)
11	MAK786GB234	HUB, Water Pump (3 Belt Application)	17	MAK469GC191C	SHAFT (Short) (Cast Rotor)
11	MAK786GB33	HUB, Water Pump (Current) (2 Belt Application)	17	MAK469GC245	SHAFT (Long) (Stamped Rotor)
12	N/A	ASSEMBLY, Water Pump (Long Shaft, Long Housing, Stamped Impeller) Includes Hub (1)EHB-8531	17	MAK469GC32B	SHAFT (Short) (Stamper Rotor)
12	MAK316GC1184	ASSEMBLY, Water Pump (Long Shaft, Long Housing, Cast Impeller)	17	MAK469GC248A	SHAFT (Short) (Stamped Rotor)
12	N/A	ASSEMBLY, Water Pump (Short Shaft, Long Housing, Stamped Impeller) Includes EWP-8663 Pulley	17	MAK469GC316	SHAFT (Short) (Stamped Rotor) (No Key)
12	MAK316GC1205	ASSEMBLY, Water Pump (Short Shaft, Long Housing, Stamped Impeller)	18	MAK42AX28	KEY (5/8in Lg)
12	MAK316GC1211A	ASSEMBLY, Water Pump (Long Shaft, Long Housing, Stamped Impeller)	18	MAK42AX176	KEY (1/2in Lg)
12	MAK316GC1219A	ASSEMBLY, Water Pump (Short Shaft, Long Housing, Stamped Impeller) (CH Model)	19	MAK518GC11	SLINGER
			20	MAK46AX451	BEARING, Rear
			21	MAK446GC1108	O-RING
			22	MAK550GC22P1	SPACER
			23	MAK46AX497	BEARING, Front (3 Belt Pulley) (Double Row) (2.047in OD)

Continued

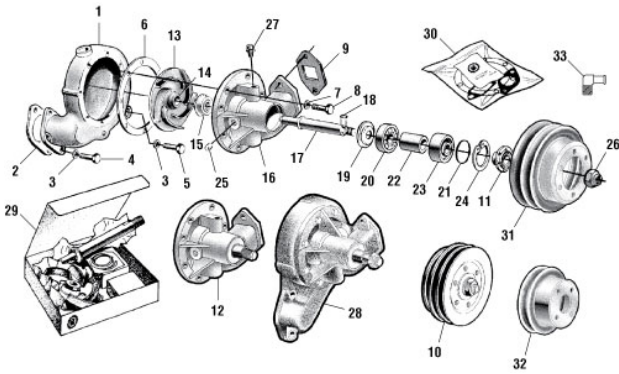


E6 SERIES SECTION – WATER PUMP

Continued

KEY	OEM REF	DESCRIPTION	KEY	OEM REF	DESCRIPTION
23	MAK46AX387	BEARING, Front (2 Belt Pulley) (Single Row) (1.850in OD)	29	MAK202SB40B	KIT, Water Pump Repair (For EWP-3365 Water Pump Assembly) Includes Shaft (1)ESH-3885 Rotor (1)ERW-0745 Bearings (1)EBG-3860 (1)EBG-3870 Seal (1)ESR-3372 Ring (1)ESR-2831 O-Ring (1)ERS-8480 Slinger (1)ESL-3851 Key (1)EKY-3172 Gasket Kit (1)EGK-3845
23	MAK46AX452	BEARING, Front (2 Belt Pulley) (Double Row) (2.047in OD)	29	MAK202SB42A	KIT, Water Pump Repair (For EWP-3515 Water Pump Assembly) Includes Shaft (1)ESH-3886 Rotor (1)ERW-0745 Bearings (1)EBG-3862 (1)EBG-3870 Seal (1)ESR-3372 Ring (1)ESR-2831 O-Ring (1)ERS-8480 Slinger (1)ESL-3851 Key (1)EKY-3172 Gasket Kit (1)EGK-3845
24	MAK325GC120	RING, Retaining	29	MAK202SB38	KIT, Water Pump Repair (For EWP-3360 Water Pump Assembly) Includes Shaft (1)ESH-3881 Rotor (1)ERW-0742 Bearings (1)EBG-3860 (1)EBG-3870 Seals (1)ESR-3370 (1)ERS-3840 Ring (1)ESR-2831 O-Ring (1)ERS-8480 Slinger (1)ESL-3851 Key (1)EKY-3171 Gasket Kit (1)EGK-3845
25	MAK49AX233	PLUG, Pipe (3/8in)	29	MAK202SB38A	KIT, Water Pump Repair (For EWP-3360 Water Pump Assembly) Includes Shaft (1)ESH-3881 Rotor (1)ERW-0742 Bearings (1)EBG-3860 (1)EBG-3870 Seals (1)ERS-3840 (1)ESR-3374 Ring (1)ESR-2831 O-Ring (1)ERS-8480 Slinger (1)ESL-3851 Key (1)EKY-3171 Gasket Kit (1)EGK-3845
26	MAK21AX639	NUT, Lock			
27	MAK541KB23	BREATHER			
28	N/A	KIT, Pump and Housing Includes Water Pump Assembly (1)EWP-3360 Housing (1)EPH-8600			
28	N/A	KIT, Pump and Housing Includes Water Pump Assembly (1)EWP-3366 Screws (7)ESC-0006 Washers (7)EWA-0061 Housing (1)EPH-8600			
29	MAK202SB31A	KIT, Water Pump Repair (For EWP-3510 Water Pump Assembly) Includes Shaft (1)ESH-0750 Rotor (1)ERW-0742 Bearings (1)EBG-3862 (1)EBG-3870 Seals (1)ESR-3370 (1)ERS-3840 Ring (1)ESR-2831 O-Ring (1)ERS-8480 Slinger (1)ESL-3851 Key (1)EKY-3171 Gasket Kit (1)EGK-3845 Spacer (1)ETS-0721			
29	MAK57GC2139A	KIT, Water Pump Repair (For EWP-3368 Water Pump Assembly) Includes Shaft (1)ESH-3887 Rotor (1)ERW-0746 Bearings (1)EBG-3860 (1)EBG-3870 Seal (1)ESR-3372 Ring (1)ESR-2831 O-Ring (1)ERS-8480 Slinger (1)ESL-3851 Gasket Kit (1)EGK-3845			

Continued



E6 SERIES SECTION – WATER PUMP

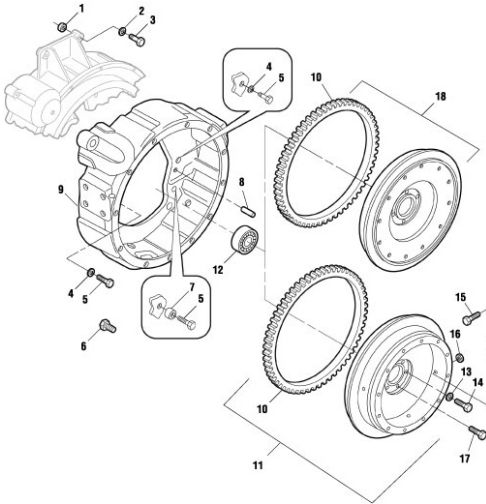
Continued

KEY	OEM REF	DESCRIPTION
29	MAK202SB41C	KIT, Water Pump Repair (For EWP-3366 Water Pump Assembly) Includes Shaft (1)ESH-3881 Rotor (1)ERW-0745 Bearings (1)EBG-3860 (1)EBG-3870 Seal (1)ESR-3372 Ring (1)ESR-2831 O-Ring (1)ERS-8480 Slinger (1)ESL-3851 Key (1)EKY-3171 Gasket Kit (1)EGK-3845
30	MAK57GC182	KIT, Gasket Includes Gaskets (1)EGK-3852 (1)EGK-3846 (1)EGK-3847
31	MAK302GC2187A	PULLEY, Steel (2 Belt)
32	MAK309GC2215	PULLEY, Air Conditioner Drive
33	MAK63AX3566	FITTING, Water Elbow (3/8in pipe thread, 5/8in hose dia.)
33	MAK63AX3565	FITTING, Water Elbow (1/2in pipe thread, 5/8in hose dia.)



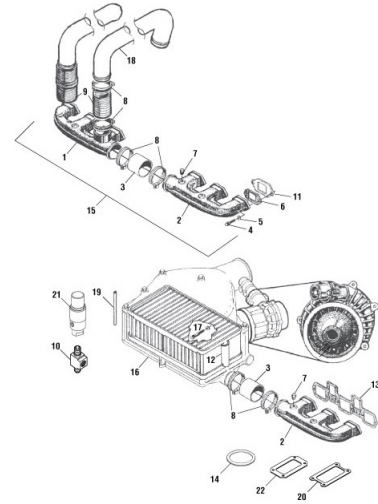
E6 SERIES SECTION – AIR CYLINDER CONTROLS AND SHUTTER COMPONENTS

KEY	OEM REF	DESCRIPTION
1	MAK35MG231	CYLINDER, Air (Shutter Control) (Overall Free Length 8-1/2in)
1	MAK31QC217	CYLINDER, Air (Shutter Control) (Overall Free Length 7in)
2	MAK2MG495A	ASSEMBLY, Shutter
2	MAK2MG463A	ASSEMBLY, Shutter
3	MAK20QL286	KIT, Shutter Insulator Mount (3/8in Threaded Studs) Includes Washers (2)FWA-0050 (2)GWA-0062 Nuts (2)FNU-0075 Mount
4	MAK2079-SS165	VALVE, Shutter Control (165°)
4	MAK2079-SS170	VALVE, Shutter Control (170°)
4	MAK2079-SS175	VALVE, Shutter Control (175°)
4	MAK2079-SS180	VALVE, Shutter Control (180°)
4	MAK2079-SS185	VALVE, Shutter Control (185°)
5	MAK7MG26AP6	ALARMSTAT (210°)
5	MAK7MG26AP8	ALARMSTAT (220°)
6	MAK2MR260P2	RELAY, Low Water Alarm
7	MAK20QE2216A	CYLINDER, Air (Shutter Control/PTO Shift)
8	MAK2MR261P2	MODULE, Shutdown Control



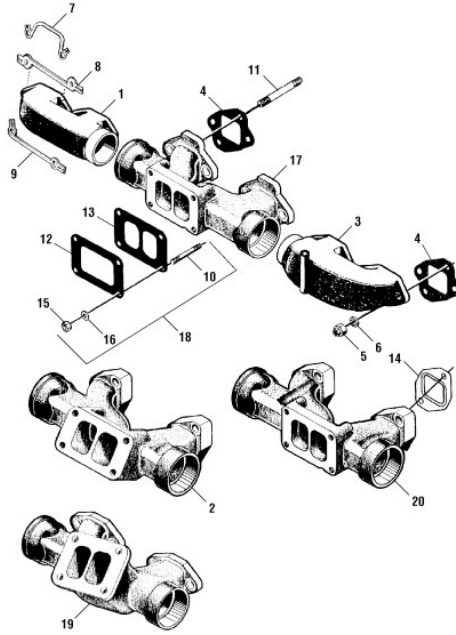
E6 SERIES SECTION – FLYWHEEL ASSEMBLY

KEY	OEM REF	DESCRIPTION
1	MAK537GC231	SPACER
2	MAK37AX302	WASHER
3	MAK4AX223	SCREW (1/2in-13 x 2-3/4in)
4	MAK711GC1100P9	WASHER (6 Req'd)
5	MAK429GC112P1	SCREW (5/8in-11 x 1-3/4in)
5	MAK429GC114A	SCREW (5/8in-11 x 2-1/4in) (2 Req'd)
6	MAK6AX1303X	SCREW
7	MAK711GC1100P12	SPACER (2 Req'd)
8	MAK183GC192P1	PIN, Alignment (STD)
8	MAK183GC192P2	PIN, Alignment (.016in Oversize)
8	MAK183GC192P3	PIN, Alignment (.033in Oversize)
8	MAK183GC192P4	PIN, Alignment (.063in Oversize)
9	MAK634GC5194A	HOUSING, Flywheel
10	MAK673GB222	GEAR, Starter Ring
11	MAK530GB4380P2	KIT, Flywheel (For 14in Dana Type Clutch) Includes Nuts (6)BNU-0261 Pins (1)EPN-5125 (6)CPN-9711
12	MAK46AX310	BEARING, Clutch Pilot
12	MAK46AX534	BEARING, Clutch Pilot (Sealed) (Available with high temperature grease by ordering as EBG-8639HP)
12	MAK46AX313	BEARING, Clutch Pilot
13	MAK711GC1100P9	WASHER
14	MAK419GC113B	SCREW (5/8in-18 x 1-3/4in)
15	MAK2104-274C6	PIN, Drive
15	MAK183GC191	PIN, Drive (Threaded)
16	MAK21AX814	NUT
17	MAK31AX491	PIN, Locating
18	MAK530GB3142	FLYWHEEL (For 15-1/2in Dana Type Clutch)



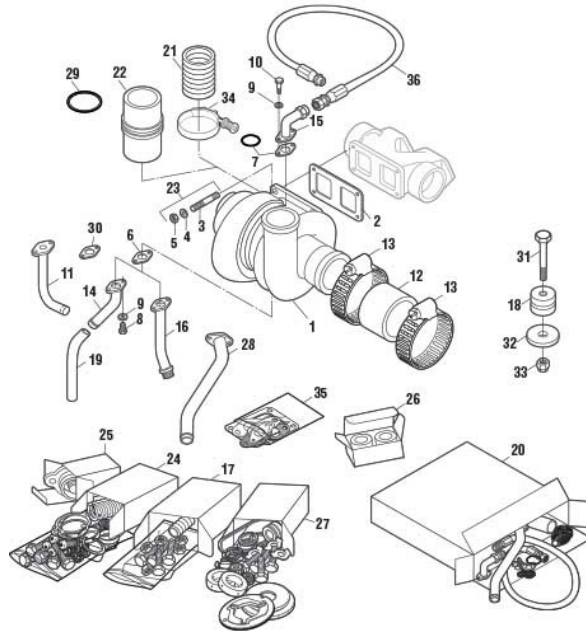
E6 SERIES SECTION – INTAKE MANIFOLD

KEY	OEM REF	DESCRIPTION
1	MAK105GC4222B	MANIFOLD, Front Intake
2	MAK105GC249	MANIFOLD, Rear Intake
3	MAK744GB37P3	HOSE, Inlet (3-1/2in ID x 2-1/2in Lg)
4	MAK6AX1427	SCREW (12 pt) (7/16in-14 x 1-1/4in Lg)
5	MAK35AX1361U	WASHER
6	MAK573GB170	GASKET, Inlet Manifold
7	MAK49AX230	PLUG, Inlet Manifold
8	MAK83AX698	CLAMP, Hose
9	MAK45MD344M	HOSE, Inlet (4in ID x 6in Lg)
9	MAK45MD344M4	HOSE, Inlet (4in ID x 4-3/4in Lg)
9	MAK45MD344M5	HOSE, Inlet (4in ID x 7-5/8in Lg)
9	MAK45MD344M6	HOSE, Inlet (4in ID x 9-1/2in Lg)
9	MAK45MD344M7	HOSE, Inlet (4in ID x 4in Lg)
9	MAK744GB37	HOSE, Inlet (3in ID x 3in Lg)
9	MAK45MD29B	HOSE, Inlet (3in ID x 6in Lg)
9	MAK744GB310P2	HOSE, Inlet (Silicone) (3-3/4in ID x 4in Lg)
9	MAK45MD342M	HOSE, Inlet (3-1/2in ID x 6in Lg)
9	MAK45MD342M2	HOSE, Inlet (3-1/2in ID x 4-3/4in Lg)
9	MAK45MD414M3	HOSE, Inlet (4in ID x 7-1/8in Lg)
10	MAK63AX3686	FITTING, Puff Limiter Tee
11	MAK573GB135	GASKET (Used w/ Stamped Manifold)
12	MAK314GB41C	CORE, Intercooler (Air to Air)
13	MAK590GB312B	GASKET (1 Piece)
14	MAK590GB1321	GASKET, Crossover (Early)
15	N/A	KIT, Intake Manifold (Retrofit Stamped Manifold to Current Cast Intake Manifolds) Includes Manifolds (1)EMA-1968 (1)EMA-1969 Clamps (2)ECL-1955 Hose (1)EIH-1984
16	MAK590GB44	GASKET, Intercooler Core
17	MAK6AX1353	SCREW (12 pt)(3/8in-16 x 3in)
18	MAK680GC524B	TUBE, Turbo Crossover (ETZ673E, EM6-200)
18	MAK680GC520	TUBE, Turbo Crossover (ENDT675)
19	MAK449GC27	SEAL, Intercooler End (6-3/4in)
19	MAK449GC27P2	SEAL, Intercooler End (4-1/2in Lg)
20	MAK590GB1107	GASKET, Inlet Elbow (Early)
21	MAK691GC218CX	VALVE, Puff Limiter
21	MAK691GC218CP4X	VALVE, Puff Limiter
21	MAK691GC218CP7X	VALVE, Puff Limiter
21	MAK691GC218CP9X	VALVE, Puff Limiter
22	MAK573GB149	GASKET, Inlet Elbow (Early)



E6 SERIES SECTION – EXHAUST MANIFOLD

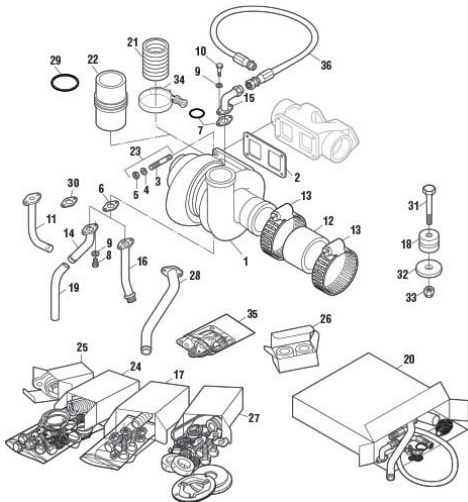
KEY	OEM REF	DESCRIPTION	KEY	OEM REF	DESCRIPTION
1	MAK104GC343A	MANIFOLD, Rear Exhaust (Horizontal Bolt Pattern)	17	MAK104GC4300P4	MANIFOLD, Center Exhaust (Horizontal Bolt Pattern) (Side Mount Turbo)
1	MAK104GC5167	MANIFOLD, Front/Rear Exhaust (Short Mounting Bosses) (Diagonal Bolt Pattern)	18	MAK370SB23	KIT, Turbo Mounting Includes Studs (4)EST-0045 Washers (4)EWA-0176 Nuts (4)ENU-0188
2	MAK104GC5166	MANIFOLD, Center Exhaust (Short Mounting Bosses) (Angle Turbo Mount)	19	MAK104GC4274B	MANIFOLD, Center Exhaust (Horizontal Bolt Pattern) (Compound Angle Turbo Mounting)
3	MAK104GC342A	MANIFOLD, Front Exhaust	20	MAK104GC5168	MANIFOLD, Center Exhaust (Short Mounting Bosses) (Diagonal Bolt Pattern) (Side Mount Turbo)
4	MAK573GB310	GASKET (4 Bolt Holes) (ENDT676)			
4	MAK573GB310A	GASKET (4 Bolt Holes) (w/ Steel Bead)			
5	MAK23AX395	NUT (Anti-Seize)			
5	MAK22AX22C	NUT (7/16in-14)			
5	MAK23AX514	NUT, Flanged (Locking) (Copper Plated) (7/16in-14)			
6	MAK37AX256	WASHER			
7	MAK87GC132	LOCK (Use w/ EEX-1913 & EEX-1911 Center Exhaust Manifolds)			
8	MAK87GC212	LOCK (Use w/ EEX-1883 & EEX-1913 Center Exhaust Manifolds)			
9	MAK87GC213	LOCK (Use w/ EEX-1883 & EEX-1913 Center Exhaust Manifolds)			
10	MAK616GC180B	STUD, Turbo Mount (3/8in-16 x 3/8in-24 x 2-9/16in)			
11	MAK616GC28AP2	STUD, Exhaust Manifold (7/16in-14 x 1-7/8in)			
11	MAK616GC28A	STUD, Exhaust Manifold (7/16in-14 x 4in)			
11	MAK616GC248	STUD, Exhaust Manifold (7/16in-14 x 2-3/8in)			
12	MAK590GB1189A	GASKET, Turbo (Single Port)			
13	MAK3316-409038	GASKET, Turbo (Dual Port)			
14	MAK573GB257A	GASKET, Exhaust Manifold			
15	MAK21AX852	NUT (3/8in-24)			
16	MAK37AX495	WASHER			



E6 SERIES SECTION – TURBOCHARGER

KEY	OEM REF	DESCRIPTION	KEY	OEM REF	DESCRIPTION
1	MAK465380-5014	TURBOCHARGER (Slip Connection)	12	MAK744GB216P3	HOSE, Inlet (Silicone) (3-1/2in ID x 2in Lg)
1	MAK465498-5002	TURBOCHARGER	12	MAK744GB37P3	HOSE, Inlet (Silicone) (3-1/2in ID x 2-1/2in Lg)
1	MAK631GC5118P6	TURBOCHARGER (S4A) (Reman) (V-Band Compression Outlet)	12	MAK744GB216P5	HOSE, Inlet (Silicone) (2-1/2in ID x 2-1/2in Lg)
1	MAK631GC5118P6	TURBOCHARGER (S4A) (V-Band Compression Outlet)	12	MAK744GB216P6	HOSE, Inlet (Silicone) (1-3/8in ID x 2-1/2in Lg)
1	MAK631GC485	TURBOCHARGER (4LE) (Reman)	12	MAK744GB310P2	HOSE, Inlet (Silicone) (3-3/4in ID x 4in Lg)
1	SCH186301	TURBOCHARGER (4LE)	12	N/A	HOSE, Inlet (Silicone) (3-1/2in ID x 3-1/2in Lg)
1	SCH185604	TURBOCHARGER (4LE) (Slip Connection)	12	MAK45MD442M	HOSE, Inlet (Silicone) (Red) (3-1/2in ID x 5-15/16in Lg)
1	SCH185605	TURBOCHARGER (4LE)	12	MAK45MD29BP4	HOSE, Inlet (Silicone) (3in ID x 9-1/2in Lg)
1	MAK631GC463	TURBOCHARGER(4LE) (Reman)	12	MAK45MD252	HOSE, Inlet (Silicone) (2in ID x 4-5/8in Lg)
1	MAK631GC5100P4	TURBOCHARGER (4LE)	12	MAK45MD354M2	HOSE, Inlet (Silicone) (3-1/2in to 4in ID x 4-3/4in Lg)
1	MAK631GC5118P5	TURBOCHARGER (S4A)	12	MAK45MD443M	HOSE, Inlet (Silicone) (Blue) (3-1/2in ID x 5-15/16in Lg)
2	MAK3316-409038	GASKET (Dual Port)	13	MAK83AX698	CLAMP, Hose (3.06in to 4.500in)
3	MAK616GC180B	STUD (4 req'd)	14	MAK681GC335	TUBE, Oil Drain
4	MAK37AX495	WASHER (4 req'd)	14	MAK681GC419	TUBE, Oil Drain
5	MAK21AX852	NUT (4 req'd)	15	MAK208GC268	TUBE, Oil Inlet
6	MAK590GB1296A	GASKET, Oil Drain Tube	15	MAK208GC168	TUBE, Oil Inlet
6	SCH148062	GASKET, Oil Drain Tube	16	MAK681GC225	TUBE, Oil Drain
6	MAK590GB2109A	GASKET, Oil Drain Tube	17	MAK3316-468210	KIT, Turbocharger Service (TEO)
7	MAK56AX356	GASKET, Oil Inlet Tube	18	MAK20QL37P6	INSULATOR, Intercooler
7	MAK446GC1225	O-RING, Oil Inlet	19	MAK744GB230P4	HOSE, Turbo (7/8in ID x 4in Lg)
8	MAK4AX17	SCREW (3/8in-16 x 3/4in)	19	MAK744GB230P6	HOSE, Turbo (7/8in ID x 6in Lg)
9	MAK36AX3	WASHER			
10	MAK6AX1543	SCREW (3/8in-16 x 7/8in)			
11	MAK681GC461	TUBE, Turbo Oil Drain			
11	MAK681GC474	TUBE, Turbo Oil Drain			
12	MAK744GB310	HOSE, Inlet (Silicone) (3in ID x 4in Lg)			
12	MAK42QE3158P2	HOSE, Inlet (Rubber) (3-1/2in ID x 3in Lg)			
12	MAK744GB37	HOSE, Inlet (Silicone) (3in ID x 3in Lg)			
12	MAK744GB216P2	HOSE, Inlet (Silicone) (4in ID x 2-1/4in Lg)			

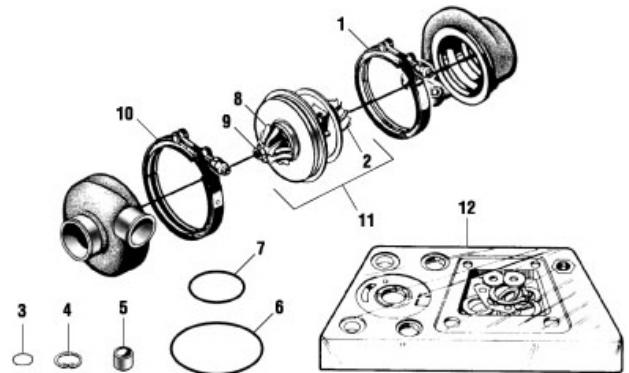
Continued



E6 SERIES SECTION – TURBOCHARGER

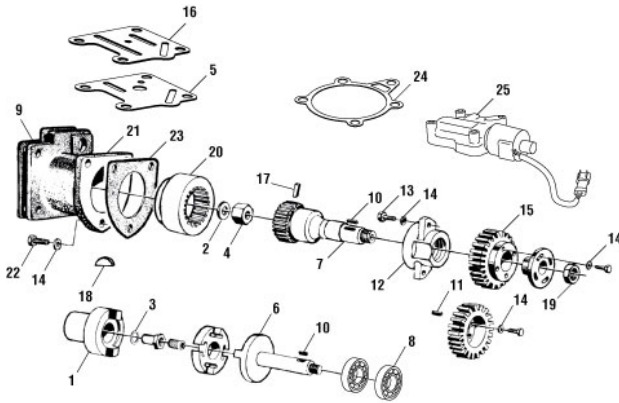
Continued

KEY	OEM REF	DESCRIPTION
20	MAK57GC259	KIT, Turbocharger Retrofit Includes Hoses (1)ECH-8675 (1)804215 Clamps (2)ECL-1962 Screws (4)ESC-0012 Washers (4)FWA-0050 O-Ring (1)EGA-3877 Gasket (1)EGS-2862 Tubes (1)EFI-1799 (1)EFI-1748
21	MAK45MD362M2	HOSE, Outlet (Cold Side) (CH Model) (3-1/2in ID x 6-1/8in Lg)
21	MAK45MD342M	HOSE, Outlet (CH Model) (3-1/2in ID x 6in Lg)
21	MAK45MD342M2	HOSE, Outlet (CH Model) (3-1/2in ID x 4-3/4in Lg)
22	MAK45MD414M3	HOSE, Outlet (4in ID x 7-1/8in Lg)
23	MAK370SB23	KIT, Turbocharger Mounting Includes Studs (4)EST-0045 Washers (4)EWA-0176 Nuts (4)ENU-0188
24	MAK3316-492900	KIT, Turbocharger Service
25	MAK3316-492901	KIT, Turbocharger Check Valve
26	MAK3316-408906	KIT, Turbocharger Service
27	MAK3316-468211	KIT, Turbocharger Service (TV/TW)
28	MAK681GC457A	TUBE, Oil Drain
28	MAK681GC266	TUBE, Oil Drain
28	MAK681GC352A	TUBE, Oil Drain (R Model)
29	MAK56AX535	O-RING, Turbocharger Compressor Outlet
30	SCH185994	ADAPTER, Oil Return
31	MAK1AX47	SCREW
32	MAK37AX168	WASHER
33	MAK21AX852	NUT
34	MAK83AX983	CLAMP
35	SCH318417	KIT, Turbo Mounting Includes Gaskets (1)EGS-3890-020 (1)EGS-2861 (1)331308 (1)EGS-2862 (1)131480 (1)EGS-2863 (1)131494 O-Ring (1)121227
36	MAK42QE44511RP42	ASSEMBLY, Hose



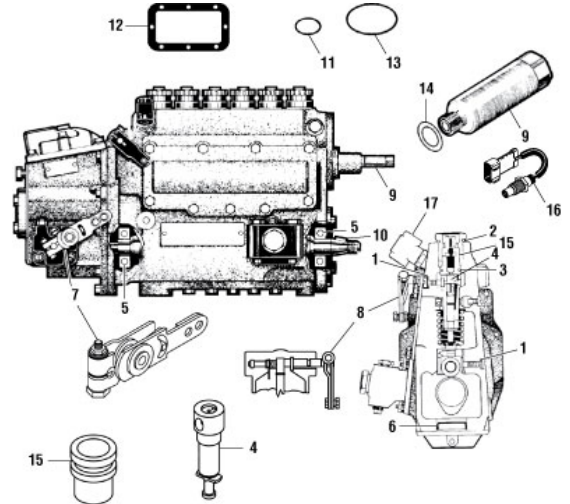
E6 SERIES SECTION – TURBOCHARGER REPAIR KITS

KEY	OEM REF	DESCRIPTION
1	MAK7536-140353	CLAMP, Turbin Includes Nut (1)ENU-2781
2	MAK364SB73A	SHAFT, Turbine Assembly
3	MAK344SB16P4	RING, Seal
4	SCH128936	RING, Retaining
4	MAK343SZ38	RING, Retaining
5	MAK39SB35	BEARING
6	MAK343SB79	O-RING
7	MAK343SB81	O-RING
8	MAK7536-188591	WHEEL, Compressor (4LE-303)
9	SCH192511	NUT, Compressor
9	AIR144242-0000	NUT, Compressor
9	MAK261SB51	NUT, Compressor Lock (Nylock Type)
9	MAK7536-182669	NUT, Compressor Lock
10	MAK48SB21	CLAMP, Compressor
11	SCH182348	CARTRIDGE, Turbocharger (For ETC-8293 & ETC-8297 Turbocharger)
11	SCH185606	CARTRIDGE, Turbocharger (For ETC-8294 & ETC-8295 Turbocharger)
11	MAK7536-181999	CARTRIDGE, Turbocharger (For ETC-8291, ETC-8292, ETC-8296 Turbochargers)
12	MAK7536-199009	KIT, Turbocharger Repair (S3A)
12	MAK7536-183211	KIT, Turbocharger Repair (4LE)
12	MAK7536-197080	KIT, Turbocharger Repair (S4A)
12	SCH181751	KIT, Turbocharger Repair (4GLZ)
12	SCH169936	KIT, Turbocharger Repair (S300)
12	MAK7536-183223	KIT, Turbocharger Repair (3LM)
12	MAK7536-183216	KIT, Turbocharger Repair (4D)
12	MAK7536-188450	KIT, Turbocharger Repair (4LH & 4LF)



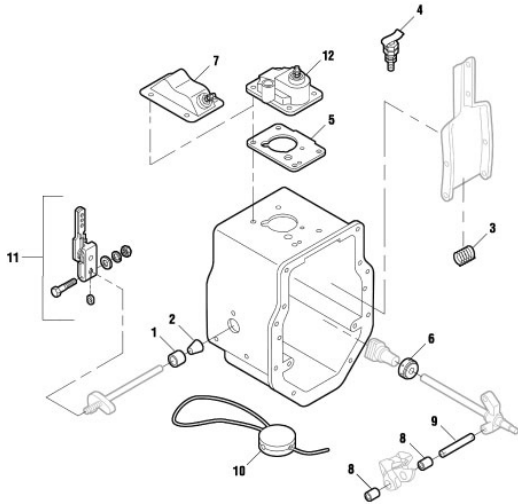
E6 SERIES SECTION – INJECTION PUMP DRIVE

KEY	OEM REF	DESCRIPTION
1	MAK320GB169C	COUPLING, Injection Pump
2	MAK37AX238X	WASHER
3	MAK711GC1118	WASHER
4	MAK142GC199	NUT
5	MAK590GB2155	GASKET, Econovance
6	MAK461GC125	SHAFT, Drive (Use w/ ECU-2100 Coupling)
7	MAK461GC236	SHAFT, Drive (Use w/ EHB-4135 Coupling) Includes Pin (1)EPN-5124
8	MAK46AX313	BEARING, Front Injection Pump
9	MAK562GB33	GASKET, Fuel Pump Mounting
10	MAK42AX618	KEY
11	MAK42AX214	KEY
12	MAK763GB322	HOUSING, Drive (4VH)
13	MAK421GC164	SCREW
14	MAK37AX495	WASHER (3/8in)
14	MAK35AX1361U	WASHER (7/16in)
15	MAK678GB327	GEAR
16	MAK590GB2137A	GASKET, Econovance
17	MAK31AX532	PIN
18	MAK43AX70	KEY, Injection Pump Coupling
19	MAK142GC172	NUT (7/8in)
20	MAK7831-5287	COUPLING (Phenolic)
21	MAK26GB412B	HOUSING, Adapter
22	MAK6AX1317X	SCREW (7/16in-14 x 1-1/4in)
23	MAK590GB2133A	GASKET (Current)
23	MAK590GB190D	GASKET
24	MAK590GB2157	GASKET, Econovance
25	MAK805GC319	VALVE, Econovance



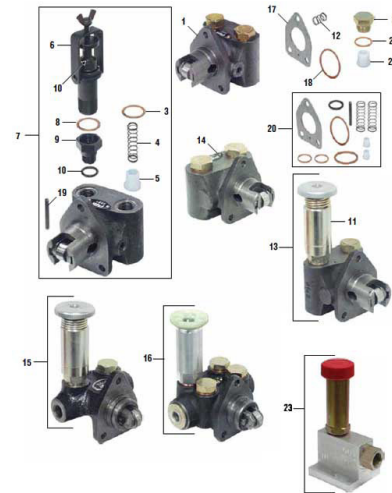
E6 SERIES SECTION – INJECTION PUMP

KEY	OEM REF	DESCRIPTION
1	MAK79-GA403312	WASHER (Copper)
2	MAK79-GA403439	O-RING
3	MAK446GC1131	O-RING
4	MAK79-BC764363A	PLUNGER
4	MAK79-BC764383A	PLUNGER
5	AMBRB1004	ASSEMBLY, Bearing (Cam Roller)
6	MAK122SB99	O-RING, Base Plug
7	MAK70GC230	LEVER, Assembly (2 Hole) (Ambac)
7	MAK79-409975	LEVER, Assembly (3 Hole) (Ambac)
7	MAK70GC229A	LEVER, Assembly (Robert Bosch)
8	MAK70GC114A	LEVER, Shutoff
8	MAK79-LE400481	LEVER, Shutoff
9	MAK31QC223	CYLINDER, Air (Rack Limiting) (Robert Bosch)
9	MAK31QC212	CYLINDER, Air (Rack Limiting) (Ambac)
9	MAK31QC214	CYLINDER, Air (Rack Limiting) (Ambac)
10	MAK43AX70	KEY, Injection Pump Coupling
11	MAK56AX456	O-RING,Pump
11	MAK446GC1126A	O-RING,Pump
12	MAK590GB1111	GASKET
13	MAK446GC1143	O-RING, Rack
14	MAK505GC19P10	SHIM, Air Cylinder (.010in thk)
14	MAK505GC19P15	SHIM, Air Cylinder (.015in thk)
15	MAK79-VA76272A	VALVE
16	MAK64MT2105M	SENDER, Timing
17	MAK935-2417413011	VALVE, Overflow(Robert Bosch)



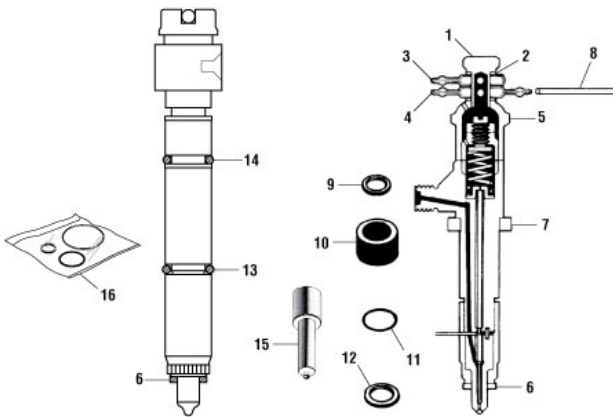
E6 SERIES SECTION – INJECTION PUMP GOVERNOR

KEY	OEM REF	DESCRIPTION
1	MAK79-PK400071	SEAL, Operating Shaft
2	MAK79-BG400704	BUSHING, Operating Shaft
3	MAK79-SP400179	SPRING, Operating Shaft
4	MAK43MR210A	TERMINAL, Switch
5	MAK590GB191C	GASKET
6	MAK7501-68032JN75	BEARING, Sleeve
7	MAK1MR2265A	COVER, Switch (4 Hole)
8	MAK79-BG400091	BUSHING, Weight
9	MAK79-PN7986	SHAFT
9	MAK79-PN79100	SHAFT (w/ Oil Hole)
10	MAK449GC112B	SEAL, Lead Wire
11	MAK70GC230	ASSEMBLY, Lever (2 Hole)
11	MAK79-409975	ASSEMBLY, Lever (3 Hole)
11	MAK70GC229A	ASSEMBLY, Lever
12	MAK1MR2292	ASSEMBLY, Switch (6 Hole)



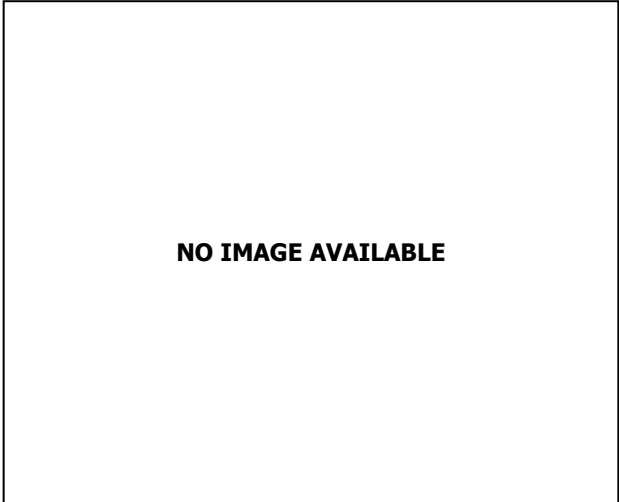
E6 SERIES SECTION – FUEL INJECTION

KEY	OEM REF	DESCRIPTION
1	MAK319GC110	PUMP, Supply (w/o Primer) (Up to 250hp)(6 BB Pump)
2	MAK79-SC400609	SCREW, Retaining (Used in ESP-3597 Supply Pump) (18mm thd)
3	MAK122SB115	WASHER
4	MAK362SB91	SPRING, Inlet
5	MAK79-VA7962	SEAT, Inlet Valve
6	MAK2112-S592AB6	PUMP, Primer
7	MAK79-SPA-22B6363A	ASSEMBLY, Pump (w/ Primer) (Up to 250hp)(6 BB Pump) Includes Pumps (1)ESP-3581 (1)EPP-3585 Seat (1)EVA-8320 Spring (1)ESP-8540 Adapter (1)EAD-8650 Seal (1)EWA-8940 Washer (1)EWA-2450
8	MAK79-GA404770	SEAL
9	MAK79-FI7922	ADAPTER
10	MAK343SB31	O-RING
11	MAK318GC17A	PUMP, Primer (Interchangeable w/ EEP-3585 Pump Primer)
12	MAK79-SP400708	SPRING, Plunger (For ESP-3597 Supply Pump)
13	N/A	ASSEMBLY, Pump (w/ Primer) (Interchangeable w/ EPA-3587 Pump Assembly)(Up to 250hp) Includes Pumps (1)ESP-3581 (1)EPP-3586 Washer (1)EWA-2450
14	MAK314GC228A	PUMP, Supply (w/o Primer) (PLM Pump) (250hp and Over)
15	MAK314GC227	PUMP, Supply (2 Valve)
16	MAK314GC227P2	PUMP, Supply (4 Valve)
17	RBB1411073006	GASKET, Fuel Supply Pump (Robert Bosch)
17	MAK79-GA400554	GASKET, Fuel Supply Pump
18	MAK79-WM-R2041405X	WASHER
19	MAK79-PN400605	PIN
20	MAK79-KT7948	KIT, Fuel Supply Pump Includes Springs (2)ESP-8540 O-Ring (1)EGA-0450 Washers (2)EWA-2450 (1)EWA-2444 Seal (1)EWA-8940 Seat (2)EVA-8320 Pin (1)EPN-5114 Gasket (1)EGK-3927
21	MAK79-VA400606	VALVE, Large Delivery Inlet (Used in ESP-3597 Supply Pump)
22	MAK79-GA400612	WASHER, Copper (Used in ESP-3597 Supply Pump)
23	MAK5479-102077	PUMP, Supply(Remote Primer)



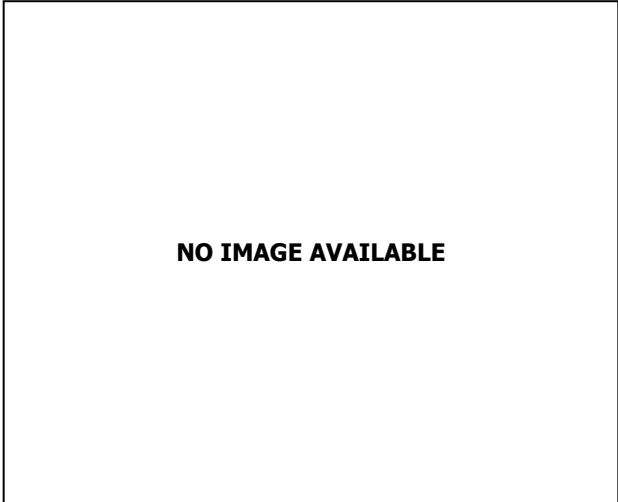
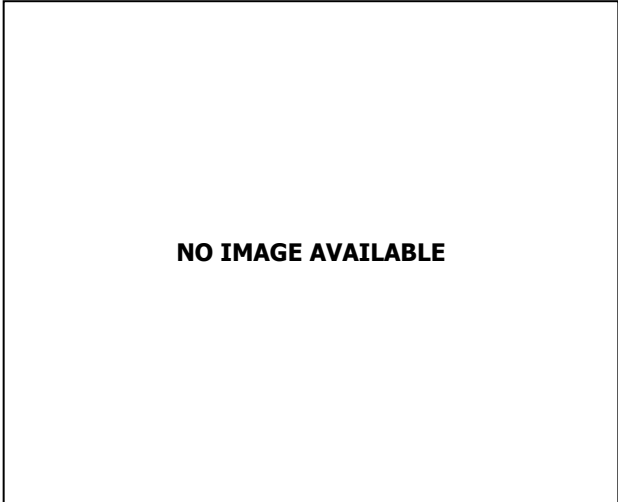
E6 SERIES SECTION – INJECTION NOZZLES

KEY	OEM REF	DESCRIPTION
1	MAK79-SC780649	SCREW, Nozzle
2	MAK121SB22	WASHER (Copper)
3	MAK498GB28A	FITTING, Nozzle Drain (Single)
4	MAK498GB27A	FITTING, Nozzle Drain (Double)
5	MAK79-CP7825	CAP, Nozzle
6	MAK590GB1127	SEAL, Nozzle (Copper)
6	MAK590GB1338	SEAL, Nozzle (4VH)
7	MAK590GB1143	GASKET, Nozzle Holder (Out)
8	MAK243AX6F	HOSE, Fuel Return (10ft Lg)
9	MAK79-GA1034	SEAL, Nozzle
9	MAK79-GA1074	O-RING, Nozzle
10	MAK449GC120	SEAL, Injector
11	MAK446GC2125	O-RING, Upper Nozzle Holder
11	MAK446GC1195	O-RING
12	MAK590GB1352	GASKET
13	MAK56AX460	O-RING (4VH) (6 Req'd)
14	MAK446GC1208	O-RING (4VH) (12 Req'd)
15	MAK114GC222P2	NOZZLE, Injection
15	MAK114GC39	NOZZLE, Injection
15	MAK114GC310	NOZZLE, Injection
15	MAK114GC324AP4	NOZZLE, Injection
16	MAK207SB12	KIT, Injector Seal Includes O-Ring (1)EGS-3895-007 Seal (1)EGS-3895-008 Ring (1)EGS-3895-009
17	MAK736GB259P12X	ASSEMBLY, Injector (Reman) (4VH) (Will need truck serial number to verify Injector)



E6 SERIES SECTION – GASKET SETS – UPPER GASKET SETS

KEY	OEM REF	DESCRIPTION
1	MAK126SB183A	SET, Upper Gasket (All 2VH, 6 Cylinder Engines)
1	N/A	SET, Upper Gasket (All 2VH, 6 Cylinder Engines) (w/ Block Flow Restricted Head Gaskets)
1	MAK126SB187D	SET, Upper Gasket (All 4VH, E6 Engines) (w/o Head Gaskets)
1	N/A	SET, Upper Gasket (All 4VH, E6 Engines) (w/ Head Gaskets)
1	MAK126SB183	SET, Upper Gasket (All 4VH, E6 Engines) (w/ Head Gaskets)
1	N/A	SET, Upper Gasket (All 2VH, Current Only) (w/ Head Gaskets)

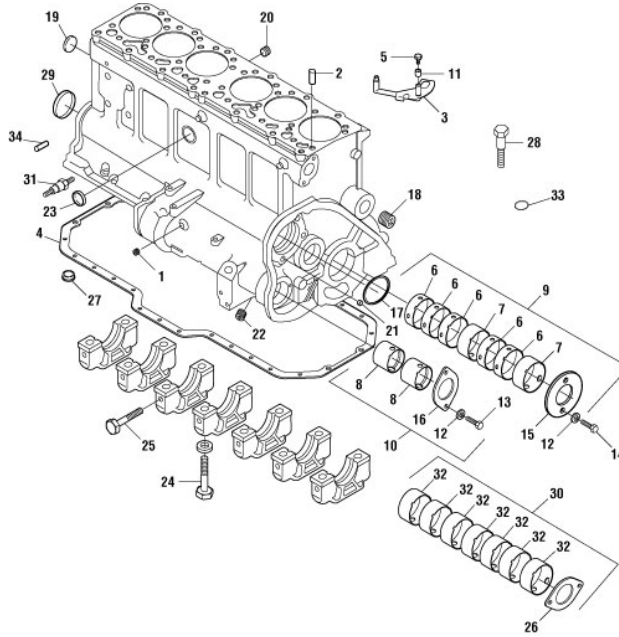


**E6 SERIES SECTION – GASKET SETS –
 LOWER GASKET SETS**

KEY	OEM REF	DESCRIPTION
1	MAK126SB184A	SET, Lower Gasket (All 2H, E6 Engines)
1	MAK126SB184	SET, Lower Gasket (Same as EGS-3900 except with one piece Pan Gasket EGK-8401)
2	MAK126SB188	SET, Lower Gasket (All 4VH, E6 Engines)

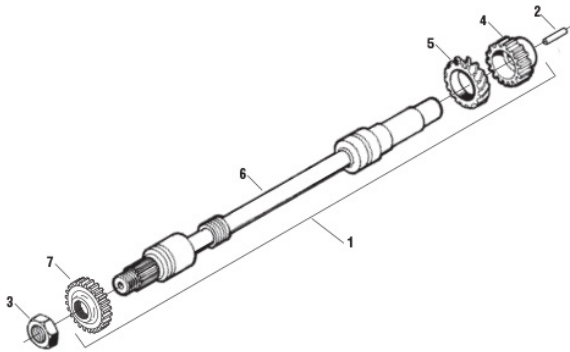
**E6 SERIES SECTION – GASKET SETS –
 OVERHAUL GASKET SETS**

KEY	OEM REF	DESCRIPTION
1	N/A	SET, Overhaul Gasket (All 2VH Engines) Includes Upper Gasket Set (1)EGS-3899 Lower Gasket Set (1)EGS-3900 Seals (12)EOS-0442
1	N/A	SET, Overhaul Gasket (All 4VH Engines) Includes Upper Gasket Set (1)EGS-3897 Lower Gasket Set (1)EGS-3904 Seals (24)EOS-0443



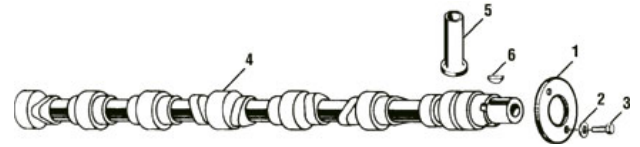
**E7 SERIES SECTION – CYLINDER BLOCK COMPONENTS:
E7, E-TECH (EUP) & ASET**

KEY	OEM REF	DESCRIPTION	KEY	OEM REF	DESCRIPTION
1	MAK49AX230	PLUG (1/8in)	20	MAK49AX233	PLUG (3/8in)
2	MAK31AX268	PIN, Cylinder Head Locating	21	MAK79AX59	PLUG, Core (1/2in)
3	MAK115GC310	NOZZLE, Piston Cooling (Early) (1 Piece Piston)	22	MAK49AX244	PLUG (1/4in)
3	MAK115GC316	NOZZLE, Piston Cooling (Current) (2 Piece Piston)	23	MAK79AX66Z	PLUG, Core (1-3/4in Dia.)
4	MAK579GB41C	GASKET, Oil Pan	24	MAK409GC37M	SCREW, Main Bearing (M16-2 x 154mm)
4	MAK579GB412A	GASKET, Oil Pan (Segmented)	25	MAK421GC265M	SCREW, Main Bearing Buttress (M12-1.25 x 80mm)
4	MAK579GB41E	GASKET, Oil Pan	25	MAK421GC265M2	SCREW, Main Bearing Buttress (M12-1.25 x 110mm)
4	MAK579GB41E	GASKET, Oil Pan (1/16in thk)	26	MAK702GC315	BEARING, Cam (Thrust) (E-Tech)
4	MAK579GB422	GASKET, Oil Pan (Rubber) (See link for Mounting Hardware)	27	MAK41GC212	ISOLATOR (Used w/ EGK-8439 Pan Gasket)
5	MAK66AM44	SCREW	28	MAK421GC2123M	SCREW, EUP Hold Down
6	MAK59GB217	BEARING, Cam	29	MAK277GC32	PLUG, Cup (E-Tech) (4in Dia.)
7	MAK59GB218	BEARING, Cam	30	N/A	KIT, Cam Bearing (E-Tech, ASET) Includes Bearings (7)ECB-8698 (1)ETB-8697
8	MAK61GB33	BEARING, Auxiliary	31	MAK41GC221M	ISOLATOR, ECM
9	MAK57GC2129	KIT, Cam Bearing (E7) Includes Bearings (5)ECB-8655 (2)ECB-8656 (1)ETB-8695 Washers (2)EWA-0390 Screws (2)ESC-0371	32	MAK59GB37	BEARING, Cam (E-Tech) (7 Req'd)
10	MAK57GC2128	KIT, Auxiliary Bearing (E7, E-Tech, ASET) Includes Bearings (2)EAB-8669 (1)ETB-8696 Washers (2)EWA-0390 Screws (2)ESC-0370	33	MAK4103-5010477823	O-RING, Air Compressor Mounting (Renault E-Tech, ASET)
11	MAK52AX47	SEAL, Oil Nozzle	34	MAK183GC252	PIN, EUP Pump (E-Tech, ASET)
12	MAK271AM5007	WASHER			
13	MAK10AM5002	SCREW, Auxiliary Thrust Washer (M8-1.25 x 20mm)			
14	MAK41AM1	SCREW, Cam Thrust (12 PT) (M8-1.25 x 20mm)			
15	MAK702GC247A	BEARING, Cam (Thrust) (E7)			
16	MAK702GC248B	BEARING, Auxiliary (Thrust)			
17	MAK56AX548	O-RING, Pump Timing Cover			
18	MAK49AX234Z	PLUG (1/2in)			
19	MAK79AX67	PLUG, Core (1-3/8in Dia.)			



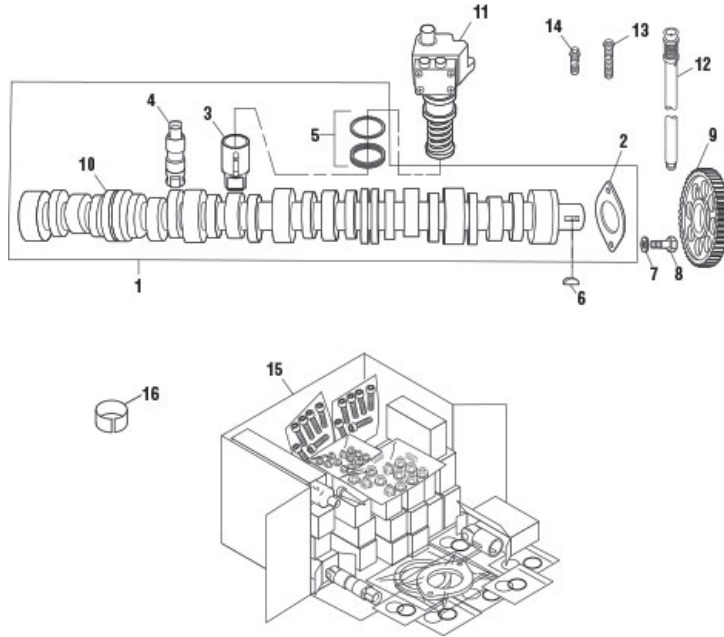
E7 SERIES SECTION – AUXILIARY SHAFT ASSEMBLY E7, E-TECH (EUP) & ASET

KEY	OEM REF	DESCRIPTION
1	MAK453GC435M	ASSEMBLY, Auxiliary Shaft (w/ 17 Tooth Oil Pump Gear) Includes Shaft (1)EAS-8737 Hub (1)EHB-4137 Gear (1)EGE-2581
1	MAK453GC389M	ASSEMBLY, Auxiliary Shaft (w/ 18 Tooth Oil Pump Gear) Includes Shaft (1)EAS-8737 Hub (1)EHB-4137 Gear (1)EGE-2582
1	MAK453GC431AM	ASSEMBLY, Auxiliary Shaft (w/ 17 Tooth Oil Pump Gear) Includes Shaft (1)EAS-8762 Hub (1)EHB-4137 Gear (1)EGE-2578
2	MAK670GC276	TUBE, Oil
3	MAK142GC1103M	NUT, Auxiliary Shaft
4	MAK597GC210	HUB, Compressor Drive
5	MAK683GB327	GEAR, Oil Pump Drive (17 Teeth)
5	MAK683GB318	GEAR, Oil Pump Drive (17 Teeth)
5	MAK683GB319	GEAR, Oil Pump Drive (18 Teeth)
6	MAK453GC420BM	SHAFT, Auxiliary
6	MAK453GC430AM	SHAFT, Auxiliary
7	MAK667GB316M	GEAR, Auxiliary Shaft



E7 SERIES SECTION – CAMSHAFT – E7 (PLN)

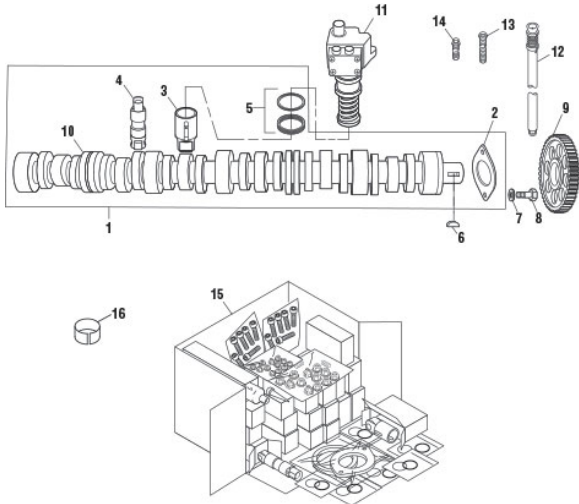
KEY	OEM REF	DESCRIPTION
1	MAK702GC247A	BEARING, Thrust
2	MAK271AM5007	WASHER
3	MAK41AM1	SCREW (M8-1.25 x 20)
4	MAK454GC5142A	CAMSHAFT
5	MAK72GC357	LIFTER
6	MAK43AX9	KEY, Camshaft Gear (Straight)
6	MAK54GC29	KEY, Camshaft Gear (Offset)



E7 SERIES SECTION – CAMSHAFT – E-TECH (EUP) & ASET

KEY	OEM REF	DESCRIPTION	KEY	OEM REF	DESCRIPTION
1	MAK57GC2190E	KIT, Camshaft (Steel Rollers E-Tech) Includes Camshaft (1)ECM-8999 Installation kit (1)ECK-9009-100	1	MAK57GC2227A	KIT, Camshaft (Ceramic Rollers ASET) Includes Camshaft (1)891917 Installation kit (1)ECK-9059-100
1	MAK57GC2211	KIT, Camshaft (Ceramic Rollers E-Tech) Includes Camshaft (1)ECM-8999 Installation kit (1)ECK-9059-100	2	MAK702GC315	BEARING,Thrust
1	MAK57GC2205A	KIT, Camshaft (Steel Rollers E-Tech) Includes Camshaft (1)ECM-8788 Installation kit (1)ECK-9009-100	3	MAK72GC266	TAPPET,Roller (Pump)
1	MAK57GC2209A	KIT, Camshaft (Steel Rollers Late E-Tech & ASET) Includes Camshaft (1)ECM-8789 Installation kit (1)ECK-9009-100	4	MAK72GC372A	TAPPET,Roller (Ceramic)
1	MAK57GC2210A	KIT, Camshaft (Steel Rollers E-Tech) Includes Camshaft (1)ECM-8791 Installation kit (1)ECK-9009-100	4	MAK72GC373A	TAPPET,Roller (Valve)(Steel)
1	MAK57GC2212	KIT, Camshaft (Ceramic Rollers E-Tech) Includes Camshaft (1)ECM-8789 Installation kit (1)ECK-9059-100	5	MAK8609-EHL243	KIT,O-Ring
1	MAK57GC2225A	KIT, Camshaft (Ceramic Rollers ASET) Includes Camshaft (1)891918 Installation kit (1)ECK-9059-100	6	MAK43AX9	KEY,Camshaft Gear(Straight)
1	MAK57GC2228A	KIT, Camshaft (Ceramic Rollers ASET) Includes Camshaft (1)891915 Installation kit (1)ECK-9059-100	6	MAK54GC29	KEY,Camshaft Gear(Offset)
1	MAK57GC2243	KIT, Camshaft (Ceramic Rollers ASET) Includes Camshaft (1)891920 Installation kit (1)ECK-9059-100	7	MAK271AM5007	WASHER
1	MAK57GC2249	KIT, Camshaft (Ceramic Rollers E-Tech) Includes Camshaft (1)891913 Installation kit (1)ECK-9059-100	8	MAK41AM1	SCREW (M8-1.25 x 20)
			9	MAK668GB411	GEAR,Camshaft
			10	MAK454GC5232A	CAMSHAFT(E-Tech)
			10	MAK454GC5236A	CAMSHAFT (Late E-Tech, ASET)
			10	MAK454GC5235	CAMSHAFT(E-Tech)
			10	MAK454GC5227C	CAMSHAFT(E-Tech)
			10	MAK454GC5234A	CAMSHAFT(E-Tech)
			10	MAK454GC5238	CAMSHAFT(ASET)
			10	MAK454GC5242A	CAMSHAFT(ASET)
			10	MAK454GC5243	CAMSHAFT(ASET)
			10	MAK454GC5247	CAMSHAFT(ASET)
			11	MAK313GC5227M	PUMP,Injection Unit Re-man(E-Tech)
			11	MAK313GC5230M	PUMP,Injection Unit(E-Tech & ASET)
			11	MAK313GC5230MX	PUMP,Injection Unit Reman(E-Tech & ASET)
			11	MAK313GC5233M	PUMP,Injection Unit(E-Tech & ASET)
			12	MAK369GC336A	PUSHROD,E-Tech
			13	MAK417GC315M	SCREW
			14	MAK417GC316M	SCREW

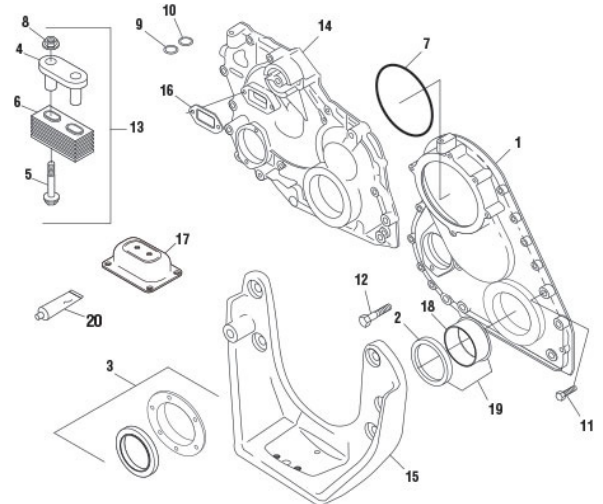
Continued



E7 SERIES SECTION – CAMSHAFT – E-TECH (EUP) & ASET

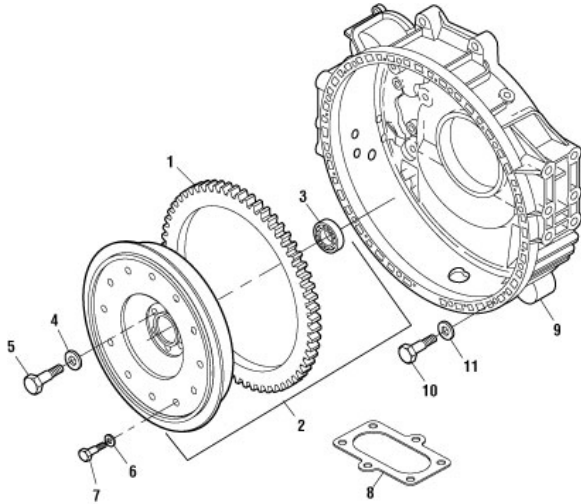
Continued

KEY	OEM REF	DESCRIPTION
15	N/A	KIT, Camshaft Installation (Steel Rollers) Includes Tappets (12)ERT-8562 (6)ERT-8563 O-Ring Kit (6)EKT-8561 Screws (12)ESC-0338 Thrust Bearing (1)ETB-8697 Seal (1)EKT-8821 Nuts (12)ENU-0429 (12)ENU-0412 (2)FNU-0403 Studs (1)EST-0427 (1)EST-0428 Sealant (1)BSR-0385
15	N/A	KIT, Camshaft Installation (Ceramic Rollers) Includes Tappets (12)ERT-8559 (6)ERT-8563 O-Rings (6)EKT-8561 Screws (6)ESC-8349 (6)ESC-8348 (12)ESC-0338 (7)EDS-0308 Thrust Bearing (1)ETB-8697 Seal (1)EOS-8820 Nuts (12)ENU-0429 (12)ENU-0412 (2)FNU-0403 Studs (1)EST-0427 (1)EST-0428 Sealant (1)BSR-0385 Pushrods (6)EPR-3393
16	MAK718GB36	CLIP, Roller (E-Tech & ASET)



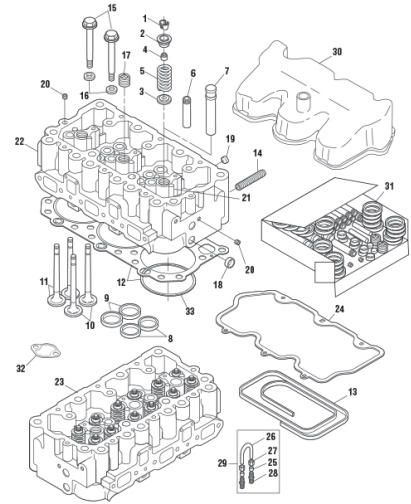
E7 SERIES SECTION – TIMING GEAR COVER AND COMPONENTS

KEY	OEM REF	DESCRIPTION
1	MAK333GB5123BM	COVER, Timing Gear (1 Req'd)
2	MAK446GC316	SEAL (Neoprene) (4in OD)
2	MAK446GC310P2	SEAL (Teflon) (4in OD)
3	MAK449GC32	ASSEMBLY, Oil Seal (Use w/ Aluminum Timing Cover) Includes Seal (1)EM88200 Retainer (1)
4	MAK20QL329	MOUNT, Upper Front (CH)
5	MAK27AM38	SCREW, Motor Mount (M16-2 x 130 Lg) (2 Req'd)
6	MAK20QL322	MOUNT, Lower Front Engine (CH)
7	MAK56AX548	O-RING (Aluminum Timing Cover)
8	MAK191AM6	NUT, Locking
9	MAK446GC2128	O-RING, Crank Case Breather (2.234in ID)
10	MAK446GC2134	O-RING, Crank Case Breather (3.109in ID)
11	MAK421GC268M	SCREW (M12 x 1.75 x 50)
12	MAK421GC268M2	SCREW (M12 x 1.75 x 100)
13	N/A	KIT, Front Engine Mount Includes Mounts (1)FMT-4992 (1)FMT-4993 Screws (2)FSC-0377 Nuts (2)FNU-0402
14	MAK333GB5131BM	COVER, Timing Gear (ASET)
15	MAK158GB5126M	MOUNT, Engine (ASET)
16	MAK590GB2167	GASKET, Breather
17	MAK20QL344M3	MOUNT, Front Engine
18	MAK1458-99325	RING, Wear
19	N/A	KIT, Front Seal (Neoprene) Includes Seal (1)EOS-8820 Wear Ring (1)ERG-3792
19	N/A	KIT, Front Seal (Teflon) Includes Seal (1)EOS-8821 Wear Ring (1)ERG-3792
20	MAK342SX32	SEALANT, Silicone (Used to seal Timing Covers)
20	MAK3092340	SEALANT, Silicone (Cartridge Gun Tube 310ml)



E7 SERIES SECTION – FLYWHEEL ASSEMBLIES AND COMPONENTS

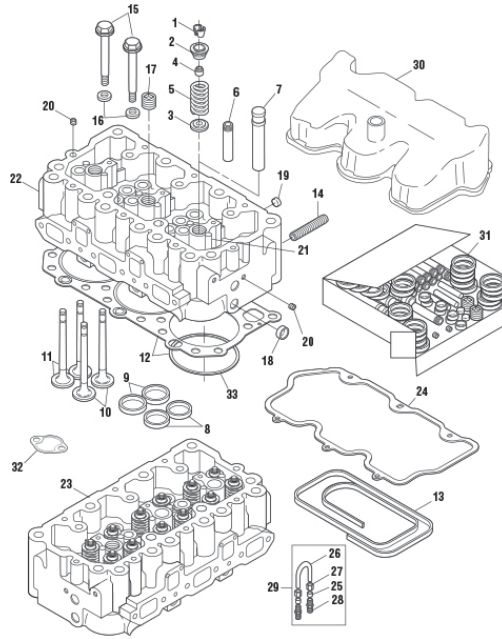
KEY	OEM REF	DESCRIPTION
1	MAK673GB35	GEAR, Starter Ring (117 Teeth)
1	MAK673GB222	GEAR, Starter Ring (118 Teeth)
2	MAK530GB3170M	FLYWHEEL (Metric) Includes Gear ERG-3842
2	MAK530GB3145BM	FLYWHEEL (For 15-1/2in Spicer Clutch) Includes Gear ERG-3990 Bearing (1)EBG-8639HP
3	MAK46AX534	BEARING, Clutch Pilot (Sealed) (Available with high temperature grease by ordering as EBG-8639HP)
4	MAK271AM5008	WASHER (17.45mm ID x 28mm OD x 3mm thk) (6 required)
5	MAK419GC222M	SCREW (M16 x 1.5 x 60) (E-Tech, ASET) (6 required)
5	MAK419GC31M	SCREW w/ Captive Washer (M16 x 1.5 x 40mm) (6 required)
5	MAK419GC29M	SCREW (M16 x 1.5 x 40) (6 required)
6	MAK36AM1X	WASHER
7	MAK2AM56	SCREW (Clutch Mounting)
8	MAK590GB2146	GASKET, Timing Inspection Cover
9	MAK634GC5330M	HOUSING, Flywheel (ASET)
9	MAK634GC5337M	HOUSING, Flywheel (E7, E-Tech, ASET-Aluminum) (Manual Transmission)
9	MAK634GC5337M2	HOUSING, Flywheel (E7, E-Tech, ASET-Aluminum) (Automatic Transmission)
9	MAK634GC5337M3	HOUSING, Flywheel (ASET)
10	MAK30AM7	SCREW (M10-1.5 X 35mm Hex Head w/ Flange)
10	MAK3AX2075	SCREW (7/16 x 14 x 1-1/2in Hex Head w/ Flange)
11	MAK35AX1601	WASHER (Use w/ 840028 Screw)



E7 SERIES SECTION – CYLINDER HEAD ASSEMBLY – E7 (PLN)

KEY	OEM REF	DESCRIPTION
1	MAK54GC25	LOCK, Valve (24 Req'd Per Head)
2	MAK722GC321	RETAINER (12 Req'd Per Head)
3	MAK722GC313A	ROTATOR (Heavy Duty) (12 Req'd Per Head)
4	MAK446GC328	SEAL (3/8in Valve Stem) (Uses w/ EVG-2379 Guide)
4	MAK446GC332	SEAL (3/8in Valve Stem) (Uses w/ EVG-2398 Guide)
5	MAK575GC213	SPRING, Valve
6	MAK714GB222P2	GUIDE, Valve (3/8in Valve Stem) (Pre-Reamed) (Used w/ EVG-0443 Seal)
6	N/A	GUIDE, Valve (3/8in Valve Stem) (Semi-Finished)
6	MAK714GB3113P2	GUIDE, Valve (3/8in Valve Stem) (Semi-Finished)
6	N/A	GUIDE, Valve (3/8in Valve Stem) (Finished)
7	MAK12GC212A	SLEEVE, Injector (3 Req'd Per Head)
7	MAK12GC212AP20	SLEEVE, Injector (.20in Oversize) (3 Req'd Per Head)
8	MAK13GC2251P1	SEAT, Intake
8	MAK13GC2251P15	SEAT, Intake
8	MAK13GC2251P31	SEAT, Intake
8	MAK13GC2251P47	SEAT, Intake
8	MAK13GC2251P62	SEAT, Intake
9	MAK13GC2264P1	SEAT, Exhaust
9	MAK13GC2264P15	SEAT, Exhaust
9	MAK13GC2264P31	SEAT, Exhaust
9	MAK13GC2264P47	SEAT, Exhaust
9	MAK13GC2264P62	SEAT, Exhaust
10	MAK690GC2210	VALVE, Intake (3/8in Stem, 30 deg Seat) (6 Req'd Per Head)
10	MAK690GC427	VALVE, Intake
10	MAK690GC410	VALVE, Intake
11	MAK688GC2378	VALVE, Exhaust (3/8in Stem) (6 Req'd Per Head)
11	MAK688GC2389	VALVE, Exhaust

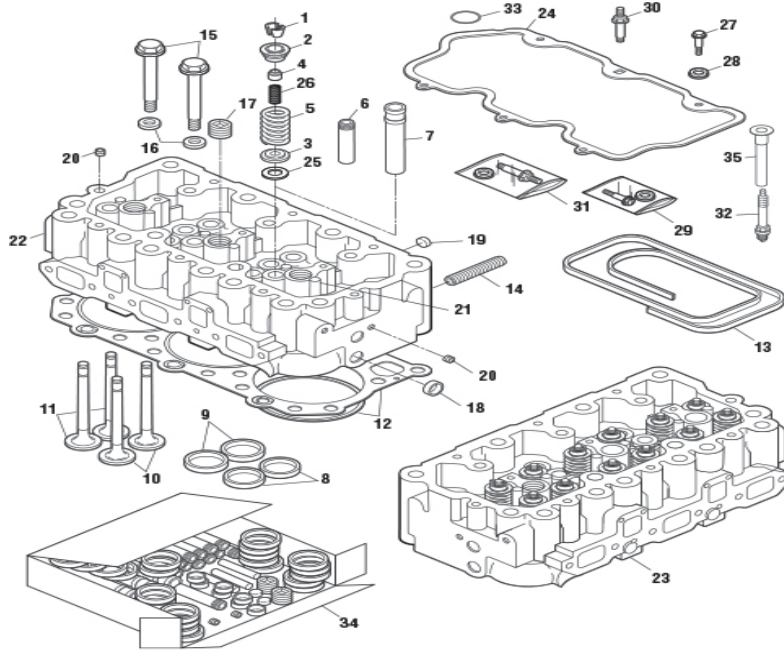
Continued



**E7 SERIES SECTION – CYLINDER HEAD ASSEMBLY –
E7 (PLN)**

Continued

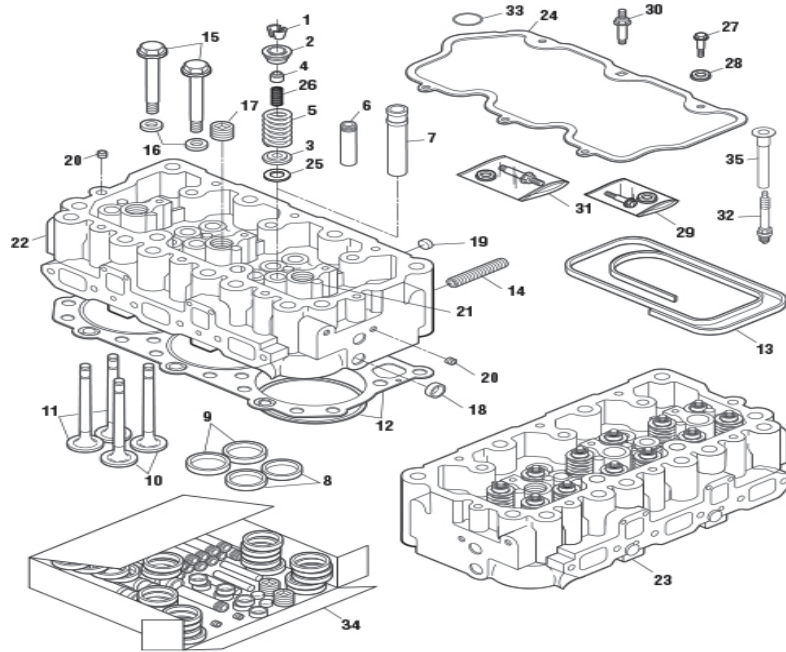
KEY	OEM REF	DESCRIPTION	KEY	OEM REF	DESCRIPTION
11	MAK688GC344	VALVE, Exhaust	24	MAK4559-13411	SET, Gasket (Engine Brake) Includes 2 Gaskets
12	MAK57GC2115A	KIT, Gasket (Current) (Flat Fire Ring Design) Includes Gasket (1)EGK-8419 Fire Rings (3)EFR-8416	25	MAK52AX47	SEAL, Fuel Crossover Tube
12	MAK57GC2155	KIT, Gasket (Early) (Stepped Fire Ring Design) Includes Gasket (1)EGK-8419 Fire Rings (3)EFR-8417	26	MAK207GC178	TUBE, Fuel Return
13	MAK554GB321	GASKET, Valve Cover (Silicone) (Joined Ends)	27	MAK63AX3438	NUT
13	MAK554GB115	GASKET, Valve Cover (Silicone Rubber)	28	MAK63AX3705	CONNECTOR, Fitting
14	MAK616GC245M	STUD, Exhaust Manifold (M12 x 1.75 x 113)	29	N/A	KIT, Fuel Tube Includes Tube (1)EFR-2326 Connectors (2)MAF-5213 Nuts (2)MNU-4126-004 Seals (2)EGS-3903-005
14	MAK616GC245M2	STUD, Exhaust Manifold (M12 x 1.75 x 103)	30	MAK337GB545	COVER, Valve
15	MAK400GC39M2	SCREW, Cylinder Head (M16 x 2 x 198)	31	N/A	KIT, Rebuild Head Includes Seats (6)EVS-2547-STD (6) EVS-2557-STD Sleeves (3)EIS-8341 Pin (6)EPN-2777 Plugs (2)EPP- 3576 (4)ECP-3486 (2)EPP-3572 (3) GCP-3484 (2)ECP-3485 (1)EPP-3574 Guides (12) EVG-2379
15	MAK400GC39M4	SCREW, Cylinder Head (M16 x 2 x 225)	31	N/A	KIT, Repair Head Includes Valves (6)EVA-8145 (6)EVA-8135 Locks (24) EVL-8205 Seals (12)EOS-0443 Seats (6)EVS-2547-STD (6)EVS-2557-STD Guides (12)EVG-2379 Sleeves (3)EIS-8341
16	MAK711GC1100P9	WASHER (1-1/8in OD)	31	N/A	KIT, Rebuild Head Includes Valves (6)EVA-8145 (6)EVA-8135 Locks (24) EVL-8205 Seals (12)EOS-0443 Seats (6)EVS- 2547-STD (6)EVS-2557-STD Guides (12)EVG-2379 Sleeves (3)EIS-8341 Springs (12)ESP-8165 Retainers (12)EVR-8355 Rotators (12)EVR-8327 Pins (6)EPN-2777
16	MAK711GC1100P14	WASHER (1in OD)	32	MAK590GB2111A	GASKET, Breather Tube
17	MAK49AX235	PLUG, Pipe	33	MAK553GB224	RING, Flat Fire (Used w/ Head gasket EGK-8429)
18	MAK79AX68Z	PLUG, Core (1-1/16in Dia.)	33	MAK553GB3279	RING, Stepped Fire (Used w/ Head gasket EGK-8431)
19	MAK79AX63	PLUG, Core (13/16in Dia.)			
20	MAK49AX242	PLUG, Pipe (1/16in-27 NPT)			
21	MAK183GC25	PIN, Valve Yoke			
22	MAK732GB5382M	ASSEMBLY, Cylinder Head (Use 20° Intake Valve Seat)			
22	MAK732GB4482M	ASSEMBLY, Cylinder Head			
23	MAK732GB3451M	ASSEMBLY, Cylinder Head (Complete w/ Valves) Includes Cylinder Head (1)ECH-3317 Seal (12)EOS-0443 Valves (6)EVA-8145 (6)EVA-8135 Springs (12)ESP-8165 Locks (24)EVL-8205 Retainers (12)EVR-8355 Rotators (12)EVR-8237			



**E7 SERIES SECTION – CYLINDER HEAD ASSEMBLY –
E-TECH (EUP)**

KEY	OEM REF	DESCRIPTION	KEY	OEM REF	DESCRIPTION
1	MAK54GC25	LOCK, Valve (24 req'd per Head)	15	MAK400GC39M4	SCREW, Cylinder Head (M16 x 2 x 225)
2	MAK722GC312	RETAINER (12 req'd per Head)	16	MAK711GC1100P9	WASHER (1-1/8in OD)
3	MAK722GC313A	ROTATOR (Heavy Duty) (12 req'd per Head) (w/ Single Spring set-up 6 req'd w/ Dual Spring set-up)	16	MAK711GC1100P14	WASHER (1in OD)
3	MAK722GC320	ROTATOR (Dual Valve Spring 6 req'd with Dual Spring set-up)	17	MAK49AX235	PLUG, Pipe
4	MAK446GC332	SEAL (3/8in Valve Stem) (Use w/ EVG-2398 Guide)	18	MAK79AX68Z	PLUG, Core (1-1/16in Dia.)
5	MAK575GC36	SPRING, Valve	19	MAK79AX63	PLUG, Core (13/16in Dia.)
5	MAK575GC213	SPRING, Valve	20	MAK49AX242	PLUG, Pipe (1/16in-27 NPT)
6	MAK714GB3113P2	GUIDE (3/8in Valve Stem) (Semi-Finished)	21	MAK183GC25	PIN, Valve Yoke
6	N/A	GUIDE, Valve (3/8in Valve Stem) (Finished)	22	MAK732GB5381M	ASSEMBLY, Cylinder Head (E-Tech)
7	MAK12GC412	SLEEVE, Injector (ASET) (No fuel Return hole)	22	MAK732GB5389M2	ASSEMBLY, Cylinder Head (ASET-Bare)
7	MAK12GC411	SLEEVE, Injector	23	MAK732GB3491AM	ASSEMBLY, Cylinder Head (Complete w/ Valves)
8	MAK13GC316P15	SEAT, Intake Valve	23	MAK732GB3491AMX	ASSEMBLY, Cylinder Head (Reman)
8	MAK13GC316	SEAT, Intake Valve	23	MAK732GB3501M2	ASSEMBLY, Cylinder Head (ASET-Complete w/ Valves)
9	MAK13GC317P15	SEAT, Exhaust Valve	24	MAK4559-13411	SET, Gasket (Jake Brake) Includes 2 Gaskets
9	MAK13GC317	SEAT, Exhaust Valve	25	MAK711GC258	WASHER, Spring Seal
10	MAK690GC410	VALVE, Intake	26	MAK575GC1115	SPRING, Inner Valve
11	MAK688GC344	VALVE, Exhaust	27	MAK421GC39M	SCREW, Shoulder
12	MAK57GC2176	KIT, Gasket Includes Gasket (1)EGK-8433 Fire Rings (3)EFR-8416	27	MAK421GC39M3	SCREW, Shoulder
13	MAK554GB321	GASKET, Valve Cover (Viton) (Joined Ends)	28	MAK41GC212	ISOLATOR
13	MAK554GB115	GASKET, Valve Cover (Silicone Rubber)	28	MAK41GC225	ISOLATOR (ASET)
14	MAK616GC245M	STUD, Exhaust Manifold (M12 x 1.75 x 113)	29	MAK421GC2113M	KIT, Screw Includes Screw (1)ESC-0311 Isolator (1)EIS-8438
14	MAK616GC245M2	STUD, Exhaust Manifold (M12 x 1.75 x 103)	29	MAK421GC2113M2	KIT, Screw Includes Screw (1)ESC-0313 Isolator (1)EIS-8438
15	MAK400GC39M2	SCREW, Cylinder Head (M16 x 2 x 198)			

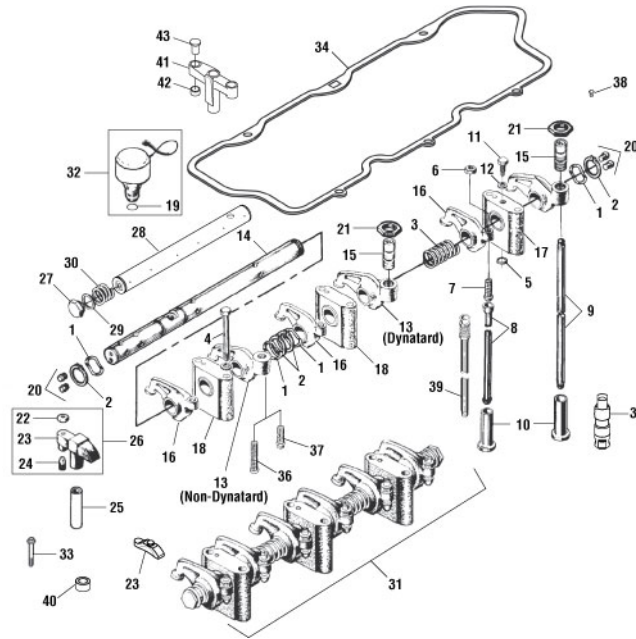
Continued



**E7 SERIES SECTION – CYLINDER HEAD ASSEMBLY –
E-TECH (EUP)**

Continued

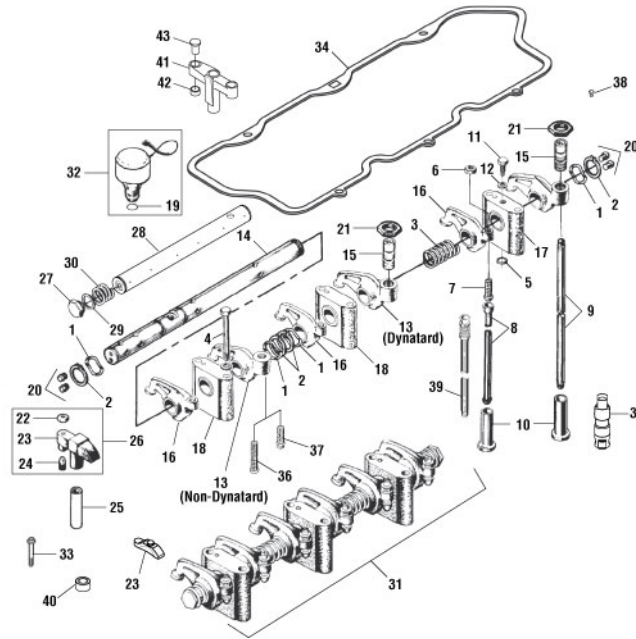
KEY	OEM REF	DESCRIPTION	KEY	OEM REF	DESCRIPTION
30	MAK616GC39M	STUD, Shoulder	34	N/A	KIT, Cylinder Head Rebuild (ASET) Includes Seats (6)EVS-2558-STD (6)EVS-2548-STD Plugs (4)ECP-3486 (2)EPP-3572 (2)EPP-3576 (2)ECP-3485 (3)GCP-3484 Sleeves (3)EIS-8339 Pins (3)EPN-2777 Guides (12)EVG-2399
30	MAK616GC39M2	STUD, Shoulder			
31	MAK616GC256M	KIT, Stud Includes Stud (1)ESC-0312 Isolator (1)EIS-8438			
31	MAK616GC256M2	KIT, Stud Includes Stud (1)ESC-0314 Isolator (1)EIS-8438			
32	MAK268GC36M	PLUG, Spark (Gas)	35	MAK8MY3107	BOOT, Spark Plug (Gas)
33	CAT1142687	O-RING, Spark Plug Tube (Gas)	36	MAK446GC1252	KIT, Valve Seal Includes Guide (1)EVG-2398 Seal (1)EOS-0444
34	N/A	KIT, Cylinder Head Rebuild (E-Tech) Includes Seats (6)EVS-2558-STD (6)EVS-2548-STD Plugs (4)ECP-3486 (2)EPP-3572 (2)EPP-3576 (2)ECP-3485 (3)GCP-3484 Sleeves (3)EIS-8339 Pins (3)EPN-2777 Guides (12)EVG-2399	37	MAK553GB224	RING, Fire (Flat Ring)
34	N/A	KIT, Cylinder Head Repair (E-Tech/ASET) Includes Valves (6)EVA-8137 (6)EVA-8147 Locks (24)EVL-8205 Guides (12)EVG-2399 Seals (12)EOS-0444 Sleeves (3)EIS-8339 Seats (6)EVS-2558-STD (6)EVS-2548-STD			
34	N/A	KIT, Cylinder Head Rebuild (E-Tech/ASET) Includes Valves (6)EVA-8137 (6)EVA-8147 Locks (24)EVL-8205 Guides (12)EVG-2399 Seals (12)EOS-0444 Sleeves (3)EIS-8339 Seats (6)EVS-2558-STD (6)EVS-2548-STD Springs (12)ESP-8161 (6)ESP-8152 Rotators (6)EVR-8327 (6)EVR-8328 Retainers (12)EVR-8355 Pins (6)EPN-2777			



E7 SERIES SECTION – ROCKER ARM ASSEMBLY: E7, E-TECH, ASET

KEY	OEM REF	DESCRIPTION	KEY	OEM REF	DESCRIPTION
1	MAK711GC256	WASHER	19	MAK446GC1149	O-RING (Dynatard Solenoid)
1	MAK579GC148A	WASHER, Wave	20	MAK49AX242	PLUG, Rocker Arm Shaft (1/16in-27 NPT)
2	MAK97AX73	RING, Locking	21	MAK148GC19	NUT, Adjusting (M10 x 1.25)
2	MAK97AX292	RING, Locking	22	MAK157AM5003	NUT, Yoke Valve Screw
3	MAK574GC15	SPRING	22	MAK142GC243M	NUT, Yoke Valve Screw (Flanged M10 x 1.25)
4	MAK416GC114M	SCREW (M10-1.5 x 75)	23	MAK891GC328A	YOKE, Valve (Pinless) (E-Tech)
5	MAK446GC138B	O-RING	23	MAK891GC223M	YOKE, Valve (E-Tech)
6	MAK157AM5002C	NUT, Adjusting	23	MAK891GC217	YOKE, Valve (Button Design)
7	MAK417GC24CM	SCREW, Adjusting	23	MAK891GC42M	YOKE, Valve
8	MAK369GC417	PUSHROD, Intake & Exhaust (E-Tech)	23	MAK891GC224M	YOKE, Valve (ASET w/ Jake Brake)
8	MAK369GC334	PUSHROD, Intake & Exhaust (Non-Dynatard)	24	MAK421GC260AM	SCREW, Yoke Valve (M10-1.25 x 26)
9	MAK369GC332A	PUSHROD, Exhaust (Dynatard)	24	MAK421GC41CM	SCREW, Yoke Valve (ASET w/ Jake Brake) (M10-1.25 x 1.23)
10	MAK72GC347	LIFTER	25	MAK183GC25	PIN, Yoke Guide
10	MAK72GC357	LIFTER (Current w/o Oil Hole)	25	MAK714GB231	PIN, Yoke (ASET w/ Jake Brake) (Used w/ Yoke 891988)
11	MAK421GC244	SCREW, Lock (Dog Point) (3/8in-16 x 3/4in)	26	N/A	KIT, Yoke Valve Includes Yoke (1)EVY-3522 Nut (1)ENU-0409 Screw (1)ESC-8342
12	MAK36AX3	WASHER, Lock	27	MAK232GB27M	CAP, Rocker Shaft (Non-Dynatard)
12	MAK35AX325	WASHER, Lock	28	MAK466GC394M	SHAFT, Rocker Arm (Non-Dynatard)
13	MAK44GB53AM	ARM, Rocker (Exhaust) (Non-Dynatard)	29	MAK37AX419	WASHER (Non-Dynatard)
13	MAK44GB2205B	ARM, Rocker (Exhaust) (Dynatard)			
13	MAK44GB468M	ARM, Rocker (Exhaust) (Non-Dynatard)			
14	MAK466GC458	SHAFT, Rocker Arm (Dynatard)			
15	MAK73GC27D	ADJUSTER, Lash			
16	MAK44GB54AM	ARM, Rocker (Intake)			
16	MAK44GB469M	ARM, Rocker (Intake)			
17	MAK146GB335	BRACKET, Support (w/ Oil Hole) (1 Req'd Per Head)			
18	MAK146GB335P2	BRACKET, Support (w/o Oil Hole) (2 Req'd Per Head)			

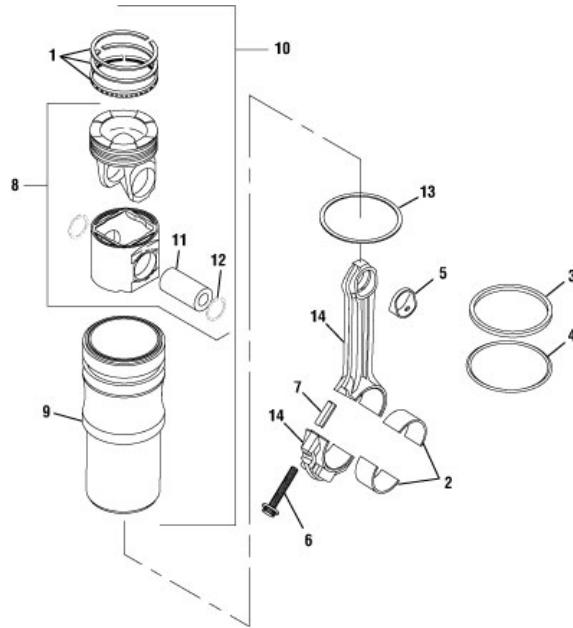
Continued



E7 SERIES SECTION – ROCKER ARM ASSEMBLY: E7, E-TECH, ASET

Continued

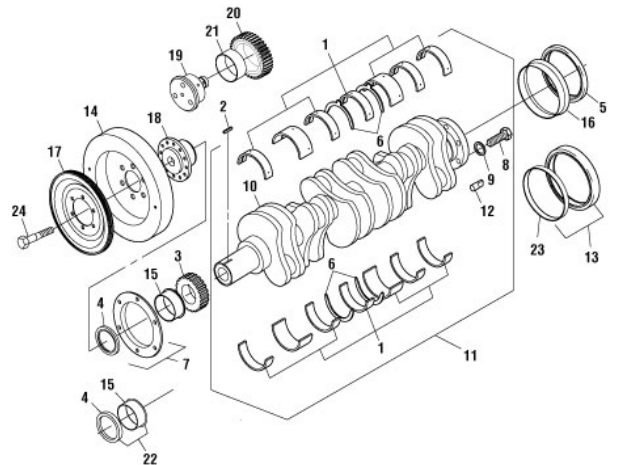
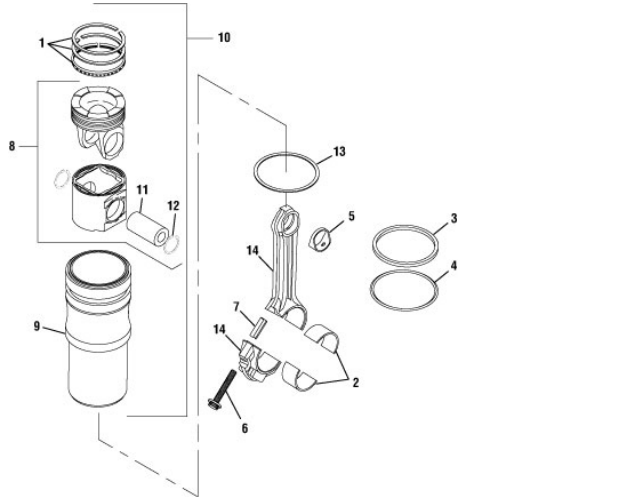
KEY	OEM REF	DESCRIPTION	KEY	OEM REF	DESCRIPTION
30	MAK574GC14A	SPRING (Non-Dynatard)	35	MAK72GC373A	TAPPET, Roller (Valve) (Steel E-Tech & ASET) (12 req'd)
31	MAK466GC4101M	ASSEMBLY, Rocker (Non-Dynatard) Includes Shaft (1) Arms (3)ERA-3177 (3)ERA-3178 Brackets (1)EBK-3523 (2)EBK-3524 Rings (6)ERI-2856 Nuts (6)ENU-0429 Washers (1)EWA-1742 (4)EWW-3539 (10)EWA-1743 Screws (6)ESC-8348 (1)ESC-8409	36	MAK417GC315M	SCREW, Rocker Arm (E-Tech) (w/o Brake)
31	MAK466GC457AM	ASSEMBLY, Rocker (Dynatard) Includes Shaft (1)ESH-3461 Washers (4)EWW-3539 (1)FWA-0050 Arms (3)ERA-3531 (3)ERA-3465 Brackets (1)EBK-3523 (2)EBK-3524 Solenoid Kit (1)EKT-1103 Adjusters (3)ELA-3543 Rings (4)ERI-2708 O-Rings (1)EGA-1177 Plugs (4)EPP-3572 Nuts (3)ENU-3538 (3)ENU-0410 Spring (1)ESP-8186 Screws (3)ESC-8343 (1)ESC-8409	37	MAK417GC316M	SCREW, Exhaust Rocker Arm (E-Tech) (w/ Brake)
31	MAK466GC456A	ASSEMBLY, Rocker (Non-Dynatard) Includes Shaft (1)ESH-3518 Rings (2)ERI-2788 Washers (2)EWW-3539 (1)FWA-0050 Arms (3)ERA-3531 (3)ERA-3528 Brackets (2)EBK-3524 (1)EBK-3523 Nuts (6)ENU-0410 Screws (6)ESC-8343 (1)ESC-8407 Springs (2)ESP-8186	38	MAK421GC2125	SCREW (E-Tech, ASET)
32	MAK57GC198	KIT, Solenoid (Dynatard) Includes O-Ring (1)EGA-1177	39	MAK369GC336A	PUSHROD, Intake & Exhaust w/ Spring (E-Tech)
32	MAK805GC54B	SOLENOID, Brake (E-Tech, ASET)	40	MAK232GB30	CAP, Yoke Pin (ASET w/ Jake Brake) (Used w/ Yoke 891988)
32	MAK4559-04205	SOLENOID, Brake (12VDC)	41	MAK891GC224M	YOKE, Valve (ASET w/ Jake Brake)
33	MAK66AM16	SCREW, Breather Manifold Mounting (M10-1.5 x 45)	42	MAK232GB30	CAP, Yoke Pin (ASET w/ Jake Brake) (Used w/ 891988 Yoke)
34	MAK4559-13411	SET, Gasket (Engine Brake) Includes 2 Gaskets	43	MAK714GB231	PIN, Yoke (ASET w/ Jake Brake) (Used w/ 891988 Yoke)
35	MAK72GC372A	TAPPET, Roller (Ceramic E-Tech & ASET) (12 req'd)	44	MAK4559-18678	KIT, Engine Brake Tune-Up



E7 SERIES SECTION – PISTON KITS, CYLINDER KITS, RING SETS AND ROD BEARINGS

KEY	OEM REF	DESCRIPTION	KEY	OEM REF	DESCRIPTION
1	MAK353GC2140A	RING, Set (Natural Gas)	8	MAK240GC2258M	KIT, Piston (E-Tech) (17.5 Compression Ratio) (Two Piece) Includes Pin, Retaining Rings, Crown and Skirt
1	MAK353GC2137	RING, Set (2 Piece Piston) (Plasma) (3 Ring Grooves)	8	MAK240GC2262M	KIT, Piston (ASET) (16.3 Compression Ratio) (Two Piece) Includes Pin, Retaining Rings, Crown and Skirt
1	MAK353GC280B	RING,Set(1 Piece Piston) (4 Ring Grooves)	8	MAK240GC2263M	KIT, Piston (ASET) (16.5 Compression Ratio) (Two Piece) Includes Pin, Retaining Rings, Crown and Skirt
1	MAK353GC2133	RING, Set (2 Piece Piston) (Plasma) (3 Ring Grooves)	8	MAK57GC2204	KIT, Piston (ASET) (16.3 CR) (Two Piece) Includes Pin, Retaining Rings, Crown and Skirt
2	MAK62GB2396A	BEARING, Connecting Rod (STD) (Pair)	8	MAK57GC2171	KIT, Piston (Natural Gas) (One Piece) Includes Pin, Retaining Rings, Piston
2	MAK62GB2396AP10	BEARING, Connecting Rod (.010in Under) (Pair)	8	MAK57GC2215	KIT, Piston (ASET) (Two Piece) Includes Pin, Retaining Rings, Crown and Skirt
2	MAK62GB2396P20	BEARING, Connecting Rod (.020in Under) (Pair)	9	MAK509GC465	SLEEVE (Use w/ EGK-8429 Gasket)
2	MAK62GB2396P30	BEARING, Connecting Rod (.030in Under) (Pair)	9	MAK509GC450	SLEEVE (Use w/ EGK-8431 Gasket)
3	MAK447GC235	SEAL, Crevice	9	MAK509GC463	SLEEVE (Use w/ EGK-8429 Gasket-E7 or EGK-8433 Gasket-E-Tech)
4	MAK446GC1241	O-RING, Lower	10	MAK215SB217E	KIT, Cylinder (16.9/1 CR) (Early Sleeve)(Two Piece Piston) Includes Sleeve (1)ESL-8287 Piston Kit (1)EPA-8085 Ring Set (1)EPR-1817
5	MAK187GB29	BUSHING	10	MAK215SB218E	KIT, Cylinder (15.3/1 CR) (Current Sleeve)(Two Piece Piston) Includes Sleeve (1)ESL-8288 Piston Kit (1)EPA-8086 Ring Set (1)EPR-1817
6	MAK396GC24M	SCREW, Connecting Rod Cap (M16-1.5 x 76)	10	MAK215SB220A	KIT, Cylinder (16.9 CR) (Current Sleeve)(Two Piece Piston) Includes Sleeve (1)ESL-8288 Piston Kit (1)EPA-8085 Ring Set (1)EPR-1817
6	MAK396GC211M	SCREW, Connecting Rod Cap (M14-1.5 x 76)			
7	MAK183GC251	SLEEVE, Cap Alignment (Used w/ ESC-2094 Screw Only)			
8	MAK215SB232A	PISTON, Assembly (16.9/1 Compression Ratio) (Two Piece) Includes Pin, Retaining Rings, Crown and Skirt			
8	MAK215SB230A	PISTON, Assembly (15.2/1 Compression Ratio) (Two Piece) Includes Pin, Retaining Ring, Crown and Skirt			
8	MAK215SB231A	PISTON, Kit Assembly (E-Tech)(16.5 Compression Ratio) (Two Piece)(May Be Used to Replace One Piece Pistons In Sets of Six(6) Only) Includes Pin, Retaining Ring, Crown and Skirt			

Continued



E7 SERIES SECTION – PISTON KITS, CYLINDER KITS, RING SETS AND ROD BEARINGS

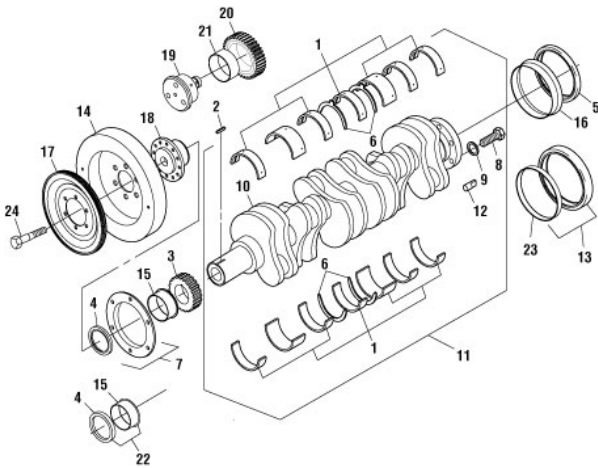
E7 SERIES SECTION – CRANKSHAFT: E7, E-TECH, ASET

Continued

KEY	OEM REF	DESCRIPTION
10	MAK215SB219E	KIT, Cylinder (E-Tech) (16.5 CR) (Current Sleeve)(Two Piece Piston) (May be used to replace One Piece Pistons) in sets of 6 only) Includes Sleeve (1)ESL-8288 Piston Kit (1)EPA-8087 Ring Set (1)EPR-1817
10	MAK215SB354	KIT, Cylinder (E-Tech) (17.5 CR) (Current Sleeve)(Two Piece Piston) Includes Sleeve (1)ESL-8288 Piston Kit (1)EPA-8088 Ring Set (1)EPR-1817
10	MAK215SB355	KIT, Cylinder (ASET) (16.5 CR) (Current Sleeve)(Two Piece Piston) Includes Sleeve (1)ESL-8288 Piston Kit (1)EPA-8092 Ring Set (1)EPR-1817
10	MAK57GC3126	KIT, Liner (ASET) (16.3 CR) (Current Sleeve)(Two Piece Piston) Includes Sleeve (1)ESL-8288 Piston Kit (1)EPA-8089 Ring Set (1)EPR-1817
10	N/A	KIT, Cylinder (ASET) (16.3 CR) (Current Sleeve)(Two Piece Piston) Includes Sleeve (1)ESL-8288 Piston Kit (1)EPA-8093 Ring Set (1)EPR-1817
10	MAK4103-5001859749	KIT, Cylinder (ASET) Includes Sleeve (1) ESL-8288 Piston Kit (1)EPA-8095 Ring Set (1)EPR-1817
10	MAK57GC3114	KIT, Cylinder (Natural Gas) Includes Sleeve (1)ESL-8288 Piston (1)EPA-8094 Ring Set (1)EPR-1756
11	MAK182GC2223	PIN, Piston (2.248in OD)
12	MAK97AX127	RING, Retaining
13	MAK505GC26P2	SHIM, Liner (.002in)
13	MAK505GC26P4	SHIM, Liner (.004in)
13	MAK505GC26P10	SHIM, Liner (.010in)
13	MAK505GC26P20	SHIM, Liner (.020in)
14	MAK367GC4267M2	ROD, Connecting

KEY	OEM REF	DESCRIPTION
1	MAK57GC387	KIT, Main Bearing (STD) Includes Thrust Bearings (2)EBK-2767-STD
1	MAK57GC383P10	KIT, Main Bearing (.010in Under) Includes Thrust Bearings (2)EBK-2767-STD
1	MAK57GC387AP20	KIT, Main Bearing (.020in Under) Includes Thrust Bearings (2)EBK-2767-STD
1	MAK57GC387AP30	KIT, Main Bearing (.030in Under) Includes Thrust Bearings (2)EBK-2767-STD
2	MAK42AX620	KEY
3	MAK670GB245M	GEAR, Crankshaft (E7)
3	MAK670GB313M	GEAR, Crankshaft (E-Tech, ASET)
4	MAK446GC316	SEAL, Front Crankshaft (Neoprene) (4in OD)
4	MAK446GC310P2	SEAL, Front Crankshaft (Teflon) (4in OD)
5	MAK446GC238B	SEAL, Rear Crankshaft (Neoprene)
5	MAK446GC235A	SEAL, Rear Crankshaft (Neoprene) (Must be used w/ ERG-3790 Wear Ring)
5	MAK446GC310P10	SEAL, Rear Crankshaft (Teflon)
5	MAK446GC259	SEAL, Rear Crankshaft (Teflon) (ASET) (Must be used w/ Wear Ring ERG-3790)
6	MAK57GC2144	KIT, Thrust Bearing (STD) Includes Thrust Bearing (1)Upper (1)Lower
6	MAK57GC2144P2	KIT, Thrust Bearing (+.002) Thrust Bearing (1)Upper (1)Lower
7	MAK449GC32	ASSEMBLY, Oil Seal Includes Seal (1)EM88200 Retainer (1)NSS
8	MAK419GC29M	SCREW (M17.45 x 1.5 x 40)
9	MAK271AM5008	WASHER (16mm ID x 28mm OD x 3mm thk)
10	MAK456GC2156M	ASSEMBLY, Crankshaft Includes Pin (1)EPN-5105
11	MAK57GC2145	KIT, Crankshaft Includes Crankshaft Assembly (1) ECR-2088 Main Bearing Kit (1)EMS-8572-STD Rod Bearing Kit (6)EBG-8332-STD Screws (6)ESC-1611 Washers (6)EWA-0393

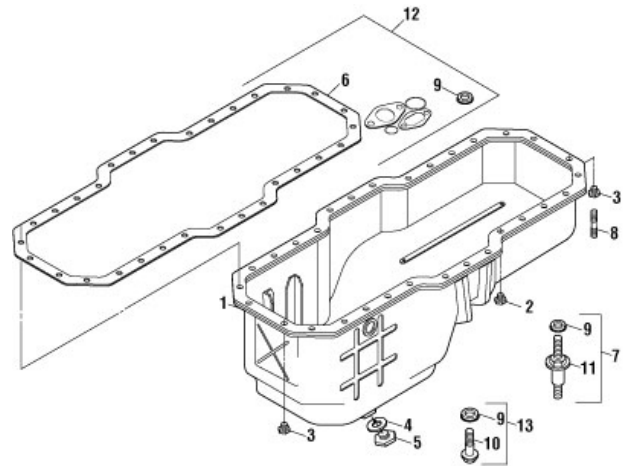
Continued



E7 SERIES SECTION – CRANKSHAFT: E7, E-TECH, ASET

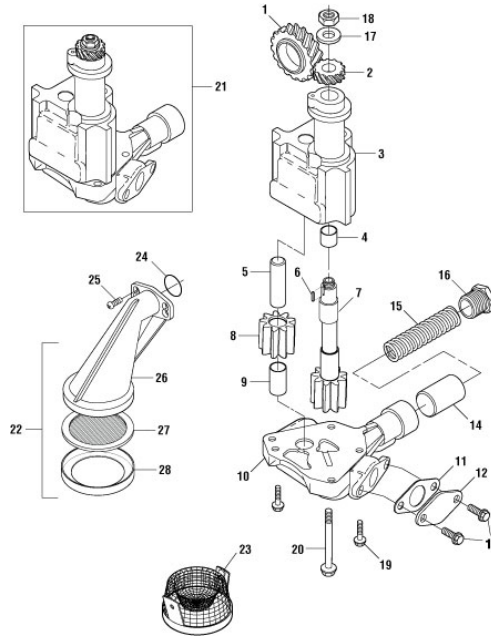
Continued

KEY	OEM REF	DESCRIPTION
12	MAK183GC238	PIN, Flywheel Alignment
13	MAK57GC371	KIT, Rear Seal & Wear Ring (Teflon) Includes Seal (1)836001 Wear Ring (1)ERG-3790
14	MAK404GB498C	DAMPER, Harmonic
14	MAK404GB499B	DAMPER, Harmonic
14	MAK404GB490	DAMPER, Harmonic (ASET)
15	MAK1458-99325	RING, Wear
16	MAK513GC28A	RING, Installation (Use w/ Seals ESE-7969 or ESE-7960)
17	MAK302GC461	PULLEY, Crankshaft
17	MAK302GC474	PULLEY, Crankshaft (ASET)
18	MAK788GB43M	HUB, Damper
18	MAK788GB46AM	HUB, Damper
19	MAK462GC315M	SHAFT, Idler
20	MAK677GB256	GEAR, Idler (w/ Bushing)
21	MAK67GB34	BUSHING, Idler Gear
22	N/A	KIT, Front Seal (Neoprene) Includes Seal (1)EOS-8820 Wear Ring (1)ERG-3792
22	N/A	KIT, Front Seal (Teflon) Includes Seal (1)EOS-8821 Wear Ring (1)ERG-3792
23	MAK532GC220B	RING, Wear (Used in Seal kits EKT-3800 & ESE-7981)
24	MAK2AM63	SCREW, Damper Hub (M24 x 2 x 80 Hex head)



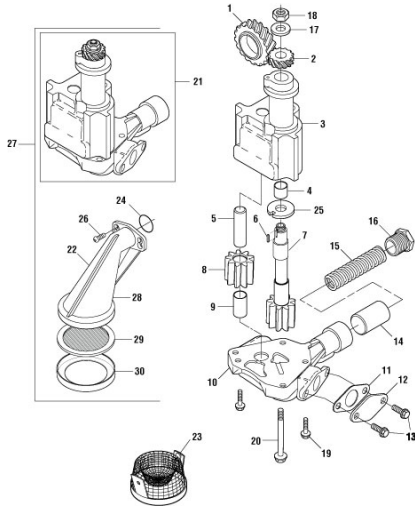
E7 SERIES SECTION – OIL PAN AND COMPONENTS – E7 (PLN), E-TECH (EUP) & ASET

KEY	OEM REF	DESCRIPTION
1	MAK240GB5240M	PAN, Oil (E-Tech)
1	MAK240GB5241M	PAN, Oil (28 qt) (26.5 Liter)
1	MAK240GB5265M	PAN, Oil (Composite) (Use Pan Gasket 831052, Bead style)
1	MAK240GB5263M6	PAN, Oil (36 qt)
1	MAK240GB5243AM	PAN, Oil (E7, E-Tech) (28 qt)
1	MAK240GB5263M5	PAN, Oil (ASET) (36 qt)
1	MAK240GB5263M7	PAN, Oil (E-Tech, ASET)
1	MAK240GB5271M4	PAN, Oil (late E-Tech, ASET)
2	MAK1AM13	SCREW, Mounting
3	MAK66AM4	SCREW, Mounting (Rear/Front)
4	MAK39AX40	WASHER, Drain
5	MAK395AM5014	PLUG, Drain (Magnetic)
6	MAK579GB41C	GASKET, Oil Pan
6	MAK579GB412A	GASKET, Oil Pan (Segmented)
6	MAK579GB41E	GASKET, Oil Pan
6	MAK579GB41E	GASKET, Oil Pan (1/16in thk)
6	MAK579GB422	GASKET, Oil Pan (Rubber) (E-Tech/ASET)
6	MAK579GB57M	GASKET, Oil Pan (Bead Style gasket)
7	MAK616GC239M	KIT, Stud Includes Stud (1)EST-0433 Isolator (1)EIS-8438
8	MAK107AM5019	STUD
9	MAK41GC212	ISOLATOR (Used w/ EGK-8439 Pan Gasket)
10	MAK421GC289M	SCREW, Shoulder (Oil Pan)
11	MAK616GC39M3	STUD, Shoulder Pan (E-Tech)
12	N/A	KIT, Oil Pan Gasket Includes Gaskets (1)EGK-8414 (1)EGK-3349 (1)EGS-3900-018 Washers (1)EWA-2441 (1)EWA-2447 O-Ring (1)EGA-2997
12	N/A	KIT, Oil Pan Gasket Includes Gasket (1)EGK-8412 (1)EGK-3349 (1)EGS-3900-018 Washers (1)EWA-2441 (1)EWA-2447 O-Ring (1)EGA-2997
12	N/A	KIT, Oil Pan Gasket (E-Tech/ASET) Includes Gasket (1)EGK-8439 Isolators (30)EIS-8438
13	MAK41GC213M	KIT, Stud Includes Screw (1)ESC-0355 Isolator (1)EIS-8438



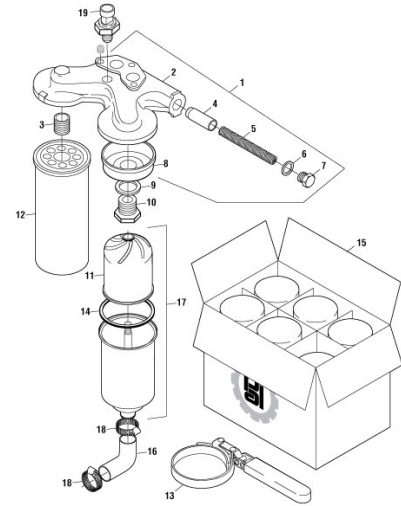
E7 SERIES SECTION – OIL PUMP – E7

KEY	OEM REF	DESCRIPTION	KEY	OEM REF	DESCRIPTION
1	MAK683GB318	GEAR, Oil Pump Drive (17 Teeth) (Use w/ EGE-2589 Gear)	21	MAK25137035	PUMP, Assembly (13 Teeth) (High Volume)
1	MAK683GB319	GEAR, Oil Pump Drive (18 Teeth) (Use w/ EGE-2591 Gear)	21	N/A	PUMP, Assembly (12 Teeth) (High Volume)
2	MAK683GB287	GEAR, Oil Pump Driven (13 Teeth) (Use w/ EGE-2581 Gear)	22	MAK497GB440	TUBE, Oil Pickup (with Screen) (Current E7, E-Tech, ASET) Includes Pickup Tube (1)841930 Screen (1)841931 Ring (1)841932
2	MAK683GB330	GEAR, Oil Pump Driven (12 Teeth) (Use w/ EGE-2582 Gear)	23	MAK388GC243M	SCREEN, Oil (Early E7)
3	MAK767GB347M	HOUSING, Assembly Includes Shaft (1)ESH-3399 (1) Housing Bushings (2)EBG-3345	24	MAK56AX470	O-RING
4	MAK186GB224	BUSHING (2 Req'd)	25	MAK421GC266M3	SCREW, Oil Pump (M10 x 1.5 x 30)
5	MAK464GC23	SHAFT, Idler	26	MAK497GB57	TUBE, Pickup (Current E7) Included in EOT-3333 Oil Pickup Tube
6	MAK42AX651	KEY	27	MAK388GC244	SCREEN, Pickup (Current E7) Included in EOT-3333 Oil Pickup Tube
7	MAK463GC45AM	GEAR, Assembly	28	MAK325GC219	RING, Retainer (Current E7) Included in EOT-3333 Oil Pickup Tube
8	MAK683GB292	GEAR, Assembly Includes Bushing (1)EBG-8922			
9	MAK186GB226	BUSHING			
10	MAK350GB56M	COVER			
11	MAK590GB1243A	GASKET			
12	MAK332GB145	COVER			
13	MAK66AM6	SCREW (M10 x 1.5 x 20)			
14	MAK296GC24	POPPET, Relief			
15	MAK572GC22A	SPRING			
16	MAK226GB27M	NUT			
17	MAK711GC1100P6	WASHER			
18	MAK157AM5002C	NUT (M12 x 1.25)			
19	MAK66AM7	SCREW (M8 x 1.25 X 35) (3 req'd)			
20	MAK421GC266M4	SCREW (M10 x 1.5 x 120) (3 req'd)			
21	MAK315GC459BM3	PUMP, Assembly (12 Teeth) (Uses EGE-2591 Driven Gear) (For MAK 315GC459M2 Pump Assembly relocate EPR-3357 to opposite port for front sump application)			
21	MAK315GC460M	PUMP, Assembly (13 Teeth) (Uses EGE-2589 Driven Gear) (For MAK 315GC460M2 Pump Assembly relocate EPR-3357 to opposite port for front sump application)			



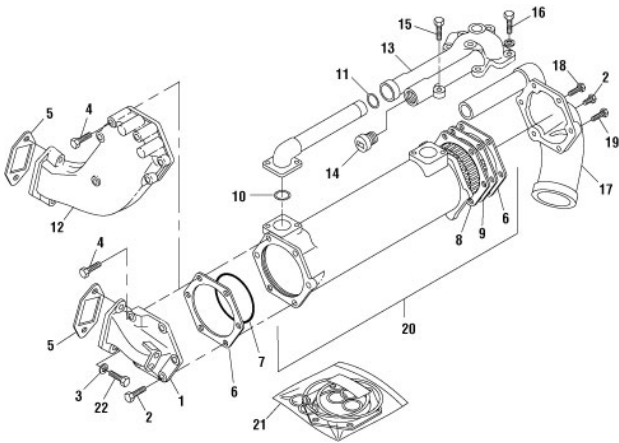
E7 SERIES SECTION – OIL PUMP – E-TECH, ASET

KEY	OEM REF	DESCRIPTION
1	MAK683GB327	GEAR,Oil Pump Drive (17 Teeth)
2	MAK683GB328	GEAR,Oil Pump Driven (13 Teeth)
3	MAK767GB56M	ASSEMBLY,Housing Includes Shaft (1)ESH-3339 (1)Housing Bushings (2)EBG-3345
4	MAK186GB224	BUSHING
5	MAK464GC23	SHAFT,Idler
6	MAK42AX651	KEY
7	MAK463GC317M	ASSEMBLY,Gear
8	MAK683GB325	ASSEMBLY,Gear Includes Bushing (1)EBG-8922
9	MAK186GB226	BUSHING
10	MAK350GB58M	COVER,Oil
11	MAK590GB1243A	GASKET
12	MAK332GB145	COVER
13	MAK66AM6	SCREW (M10 x 1.50 x 20)
14	MAK296GC24	PLUNGER,Relief
15	MAK572GC22A	SPRING
16	MAK226GB213M	NUT
17	MAK35AX1380X	WASHER
18	MAK157AM5002	NUT
19	MAK66AM7	SCREW (M8 x 1.25 x 35)(3 req'd)
20	MAK421GC266M4	SCREW (M10 x 1.5 x 120)(3 req'd)
21	MAK315GC472M	PUMP,Oil
22	MAK497GB440	TUBE,Oil Pickup (with Screen) (Current E-Tech, ASET) Includes Pickup Tube (1)841930 Screen (1)841931 Ring (1)841932
23	MAK388GC243M	SCREEN,Oil(Early E7)
24	MAK56AX470	O-RING
25	MAK702GC270A	WASHER,Thrust (Use w/ EOP-3336 Only)
26	MAK421GC266M3	SCREW,Oil Pump (M10 x 1.5 x 30)
27	MAK315GC470AM	KIT,Oil Pump Includes Oil Pump (1)EOP-3336 Oil Tube (1)EOT-3333 O-Ring (1)EGA-2997 Screws (2)840001
28	MAK497GB57	TUBE,Pickup Included in EOT-3333 Oil Pickup Tube
29	MAK388GC244	SCREEN,Pickup Included in EOT-3333 Oil Pickup Tube
30	MAK325GC219	RING,Retainer Included in EOT-3333 Oil Pickup Tube



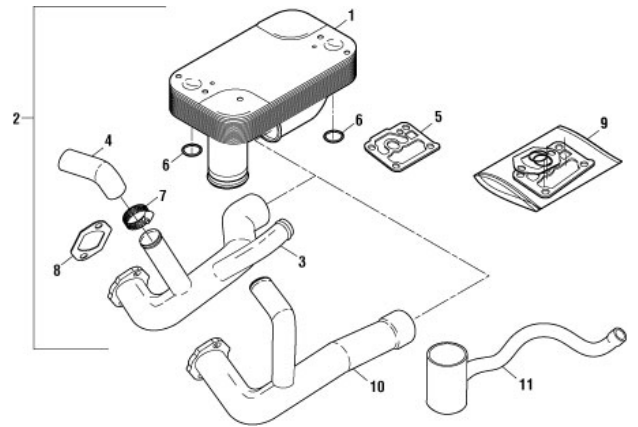
E7 SERIES SECTION – OIL FILTER MOUNTING COMPONENTS – E7 (PLN), E-TECH (EUP) & ASET

KEY	OEM REF	DESCRIPTION
1	MAK27GB425M	ASSEMBLY, Filter Mount Includes Adapter (1)EAD-0880 Plunger (1)EPL-3151 Washer (1)EWA-3157 Cap (1)MAK 226GB29M Filter Mount Assembly (1)MAK 27GB332M2 Ring (1)MAK 351GC213
2	MAK27GB332M2	ASSEMBLY, Filter Mount (w/ Inserts)
3	MAK32GB183	ADAPTER, Filter
4	MAK296GC21A	PLUNGER
5	MAK572GC130	SPRING
6	MAK38AX53	WASHER
7	MAK226GB29M	CAP
8	MAK351GC213	RING, Oil Filter Pilot
9	MAK37AX165X	WASHER (1-9/64in ID)
10	MAK27GB220	ADAPTER, Oil Filter
11	MAK57GC2134	FILTER ,Oil (Centrifugal Type) (Early)
11	MAK57GC2187	FILTER, Oil (Centrifugal Type) (Metric) (Current)
12	MAK485GB3191C	FILTER, Oil
13	N/A	WRENCH, Filter (KD#2010)
14	MAK590GB2108	O-RING, Oil Filter Housing
14	MAK4103-5001853253	O-RING, Oil Filter Housing (Renault E-Tech/ASET)
15	N/A	KIT, Filter (Refer to Filter kits listed in the Miscellaneous Section)
16	MAK744GB236A	HOSE
17	MAK485GB3219D	KIT, Oil Filter Includes Filter (1)FOF-4571 Canister & Gasket
18	MAK83AX759	CLAMP
19	MAK64MT2114	SENSOR, Oil
19	MAK64MT2115M	SENSOR, Oil



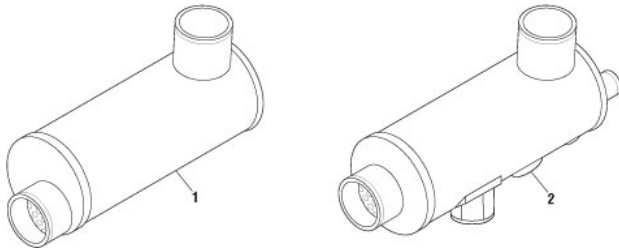
**E7 SERIES SECTION – OIL COOLERS AND COMPONENTS:
 E7, E-TECH**

KEY	OEM REF	DESCRIPTION
1	MAK493GB3164M	HOUSING, Water Outlet
2	MAK66AM10	SCREW (M8 x 1.25 x 50)
3	MAK36AX4	WASHER
4	MAK66AM34	SCREW (M8 x 1.25 x 55)
5	MAK56AX392	GASKET
6	MAK549GB28AP1	GASKET
7	MAK446GC225A	O-RING
8	MAK549GB28AP4	GASKET
9	MAK57GC270	CORE, Kit, Oil Cooler (6 Cylinder) Includes Oil Cooler Kit (1)ECA-8605-001
10	MAK446GC1161	O-RING
11	MAK446GC1160	O-RING
12	MAK493GB57M	HOUSING, Water Outlet
13	MAK497GB56	MANIFOLD, Kit Oil Cooler
14	MAK49AX234Z	PLUG
15	MAK66AM15	SCREW (M10 x 1.5 x 45)
16	MAK41AM5	SCREW (M10 x 1.5 x 25)
17	MAK493GB454	HOUSING, Water Inlet
18	MAK41AM3	SCREW (M8 x 1.25 x 25)
19	MAK66AM21	SCREW (M8 x 1.25 x 70)
20	MAK312GB3100M	ASSEMBLY, Housing (6 Cylinder) Includes Housing, Core, O-Ring & Gaskets
21	N/A	KIT, Gasket and O-Ring (Oil Cooler) Includes Gaskets (1)EGK-3847 (2)EGS-3900-015 (1)EGS-3900-065 O-Rings (1)EGA-0471 (4)EGA-0472 (1)ESE-8962
22	MAK66AM9	SCREW (M12 x 1.75 x 25)



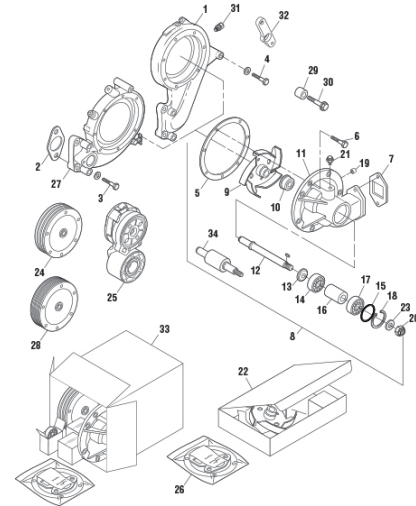
**E7 SERIES SECTION – OIL COOLERS AND COMPONENTS:
 E-TECH, ASET**

KEY	OEM REF	DESCRIPTION
1	MAK312GB575M	COOLER, Oil
2	MAK57GC2194	KIT, Oil Cooler Retrofit Kits for CH Model Includes Cooler (1)ECC-8594 Clamps (2)ECL-1778 Water Tube (1)EWT-3301 Hose (1)ECH-8751 O-Rings (2)LGA-2925 Gaskets (1)ECK-3394 (1)EGK-3847
2	MAK57GC2195	KIT, Oil Cooler Retrofit Kit for CX & RD Models Includes Cooler (1)ECC-8594 Clamps (2)ECL-1778 Water Tube (1)EWT-3303 Hose (1)ECH-8751 O-Rings (2)LGA-2925 Gaskets (1)EGK-3394 (1)EGK-3847
3	MAK670GC534	TUBE, Water
4	MAK744GB252	HOSE, Coolant
5	MAK590GB345	GASKET, Cooler
6	MAK745-246083	O-RING
7	MAK83AX757	CLAMP
8	MAK56AX392	GASKET
9	N/A	KIT, Installation Includes Gaskets (1)EGK-3394 (1)EGK-3847 O-Rings (2)LGA-2925
10	MAK670GC533	TUBE, Water
11	MAK744GB53	HOSE, Coolant



E7 SERIES SECTION – TRANSMISSION OIL COOLER – E7, E-TECH

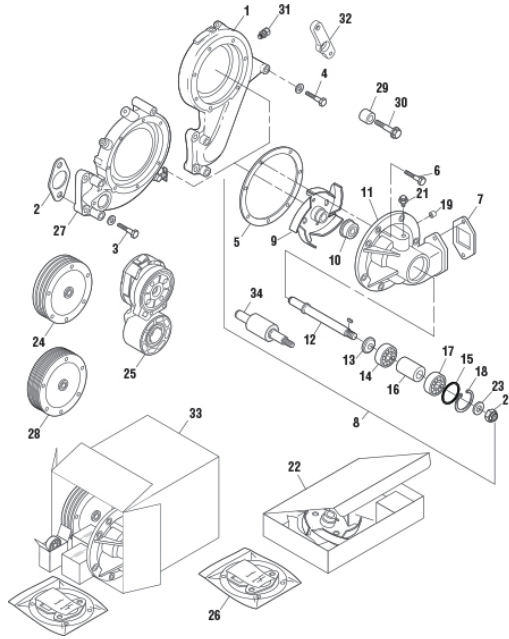
KEY	OEM REF	DESCRIPTION
1	MAK312GB3105	COOLER, Transmission
2	MAK312GB3109	COOLER, Transmission



E7 SERIES SECTION – WATER PUMPS AND COMPONENTS – E7, E-TECH

KEY	OEM REF	DESCRIPTION
1	MAK771GB530AM	HOUSING, Water Pump
2	MAK56AX107	GASKET
3	MAK66AM2	SCREW (M12 x 1.75 x 30)
4	MAK66AM12	SCREW (M12 x 1.75 x 30)
5	MAK610GB233	GASKET (Steel Shim/Foamette)
5	MAK610GB216	GASKET
6	CUM4070462	SCREW (M8 x 1.25 x 16, CL 9.8)
6	MAK64AM2	SCREW (M8 x 1.25 x 16, CL 10.9)
7	MAK56AX392	GASKET
8	MAK316GC289A	ASSEMBLY, Water Pump
8	MAK316GC284A	ASSEMBLY, Water Pump
8	MAK316GC285B	ASSEMBLY, Water Pump
8	MAK316GC3194	ASSEMBLY, Water Pump (Short Shaft)
8	MAK316GC3195	ASSEMBLY, Water Pump (Long Shaft)
9	MAK379GC38	ROTOR (Stamped)
9	MAK379GC318	ROTOR (Stamped) (Used w/ 801135, 801137 Pumps)
10	MAK447GC224A	SEAL (Use w/ ERW-0745 Rotor)
11	MAK360GB251AM	HOUSING, Water Pump
11	MAK360GB54M	HOUSING, Water Pump (Used w/ 801135, 801137 Pumps)
12	MAK469GC254M	SHAFT (Used in EWP-3369 Assembly)
12	MAK469GC253M	SHAFT (Used in EWP-3367 Assembly)
13	MAK518GC11	SLINGER
14	MAK46AX451	BEARING, Rear
15	MAK446GC1108	O-RING
16	MAK550GC22P1	SPACER
17	MAK46AX497	BEARING, Front (For 2 Belt Pulley) (Double Row) (2.047in OD)
18	MAK325GC120	RING, Retaining
18	MAK325GC222	RING, Retaining (Used w/ 801135, 801137 Pumps)
19	MAK49AX233	PLUG, Pipe (3/8in)
20	MAK153AM1	NUT, Lock
20	MAK171AM5006	NUT (Use w/ ESH-3883 Shaft)
21	MAK541KB23	BREATHER

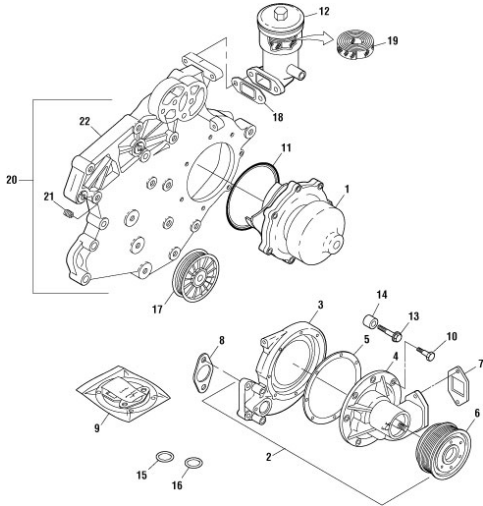
Continued



**E7 SERIES SECTION – WATER PUMPS AND COMPONENTS –
E7, E-TECH**

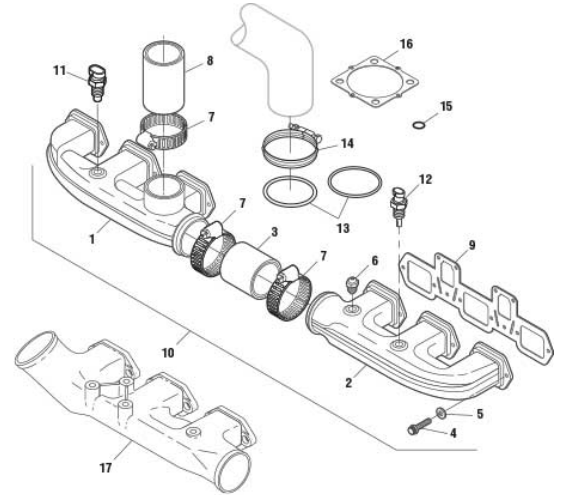
Continued

KEY	OEM REF	DESCRIPTION	KEY	OEM REF	DESCRIPTION
22	MAK57GC2123A	KIT, Water Pump (Use for rebuilding EWP-3367 Assembly) Includes Bearings (1)EBG-3860 (1)EBG-3870 Shaft (1)ESH-3884 Slinger (1)ESL-3851 O-Ring (1)ERS-8480 Ring (1)ESR-2831 Rotor (1)ERW-0745 Seal (1)ESR-3372 Nut (1)ENU-0405 Gasket Kit (1)EGK-3845	30	MAK66AM7	SCREW (M8 x 1.25 x 35)
22	MAK57GC2124A	KIT, Water Pump (Use for rebuilding EWP-3369 Assembly) Includes Bearings (1)EBG-3860 (1)EBG-3870 Shaft (1)ESH-3883 Rotor (1)ERW-0745 Slinger (1)ESL-3851 O-Ring (1)ERS-8480 Ring (1)ESR-2831 Gasket (1)EGK-3852	31	MAK63AX3695	FITTING, Connector
22	MAK57GC2203A	KIT, Water Pump (Use for rebuilding Assembly EWP-3186) Includes Shaft Assembly (1)801144 Rotor (1)801141 Seal (1)ESR-3372 Ring (1)ERI-2866 Gasket (1)EGK-3826	32	MAK537GC322M	SPACER, Water Pump
23	MAK271AM5	WASHER, Hardened Flat (Use w/ ESH-3883 Shaft)	33	MAK316GC548M	ASSEMBLY, Water Pump Includes Assembly (1)EWP-3367 Pulley (1)EWP-8678 Gasket kit (1)EGK-3845
24	MAK302GC3200M	PULLEY, Cast (3 Belt)	33	MAK316GC548M4	ASSEMBLY, Water Pump Includes Assembly (1)EWP-3367 Pulley (1)EWP-8663 Studs (6)EST-0414 Gasket kit (1)EGK-3845
25	MAK87GB41A	TENSIONER, Belt	33	MAK316GC551M	ASSEMBLY, Water Pump Includes Assembly (1)EWP-3367 Pulley (1)EWP-8517 Gasket kit (1)EGK-3845
26	MAK57GC182	KIT, Gasket Includes Gaskets (1)EGK-3846 (1)EGK-3852 (1)EGK-3847	34	MAK469GC326M	ASSEMBLY, Short Shaft (Used w/ 801135 Water pump)
27	MAK771GB4106M	HOUSING, Water Pump Includes Drain Valve	34	MAK469GC327M	ASSEMBLY, Long Shaft (Used w/ 801137 Water pump)
27	MAK771GB535M	HOUSING, Water Pump			
28	MAK302GC475M	PULLEY (10 Groove)			
28	MAK302GC4100M	PULLEY (10 Groove) (6.617in OD)			
28	MAK302GC4101M	PULLEY (10 Groove) (5.392in OD)			
28	MAK302GC4102M	PULLEY (10 Groove) (6.125in OD)			
28	MAK302GC43A	PULLEY (2 Groove Drive and 1 Groove for A/C Compressor)			
28	MAK302GC476M	PULLEY (10 Groove) (E-Tech)			
28	MAK302GC459M	PULLEY (3 Groove) (6.680in OD)			
29	MAK537GC279	SPACER (Used w/ Screw ESC-0366)			



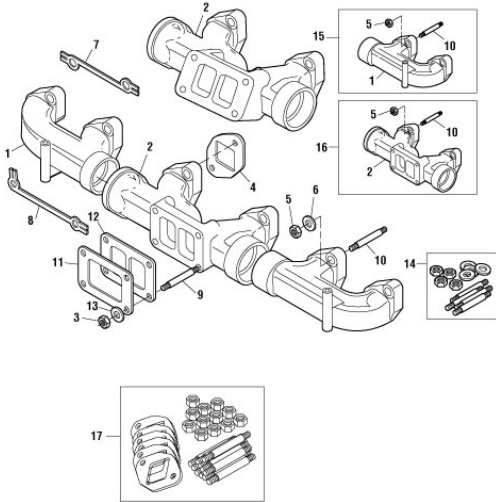
E7 SERIES SECTION – WATER PUMPS AND COMPONENTS – E-TECH, ASET

KEY	OEM REF	DESCRIPTION
1	MAK316GC3193	PUMP, Water (5-1/4in dia. Drive Hub)
1	MAK316GC3196	PUMP, Water (5-7/8in dia. Drive Hub)
2	MAK316GC565M8	ASSEMBLY, Water Pump/Housing Includes Fitting (1)MFF-4129 Screws (7)040048 Pump (1)EWP-3367 Pulley (1)EWP-8565 Plug (1)ECP-3487 Housing (1)EPH-8579
3	MAK771GB535M	HOUSING, Water Pump
3	MAK771GB538M	HOUSING, Water Pump
4	MAK316GC289A	PUMP, Water (E-Tech /Early ASET) (MC/MR Models)
4	MAK316GC284A	PUMP, Water (E-Tech /Early ASET)
4	MAK316GC3194	PUMP, Water
5	MAK610GB233	GASKET (Steel Shim/Foamette)
5	MAK610GB216	GASKET
6	MAK302GC4112M	PULLEY
6	MAK302GC518M	PULLEY (9 Groove)
7	MAK56AX392	GASKET
8	MAK56AX107	GASKET
9	MAK57GC182	KIT, Gasket Includes Gaskets (1)EGK-3846 (1)EGK-3852 (1)EGK-3847
10	CUM4070462	SCREW (M8 x 1.25 x 16)
10	MAK64AM2	SCREW (M8 x 1.25 X 16)
11	MAK446GC330	O-RING
12	MAK191GC434	BREATHER, Assembly
13	MAK66AM7	SCREW (M8 x 1.25 x 35)
14	MAK537GC279	SPACER (Used w/ Screw 0366)
15	MAK446GC2145	O-RING, Water Pump to Inlet Housing
16	MAK446GC2144	O-RING, Water Pump to Block
17	MAK786GB41BM	PULLEY, Idler (6 Groove)
18	MAK590GB2167	GASKET, Breather
19	MAK279GB219	FILTER, Breather
20	MAK771GB539M	KIT, Front Cover Includes Cover 860020 Screws (2)860041
21	MAK537GC278M	SCREW, Adjuster (M27 x 3 x 40)
22	MAK771GB542M	COVER, Front Water



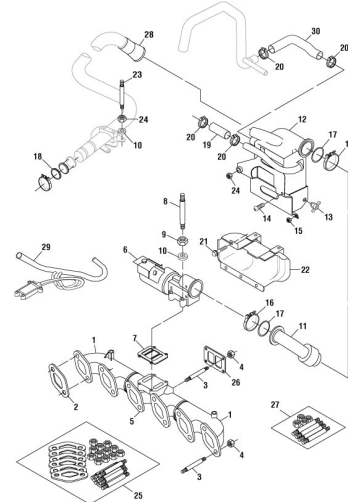
E7 SERIES SECTION – INTAKE MANIFOLDS AND COMPONENTS – E7, E-TECH, ASET

KEY	OEM REF	DESCRIPTION
1	MAK105GC4222B	MANIFOLD, Intake
2	MAK105GC249	MANIFOLD, Intake
3	MAK744GB37P3	HOSE, Inlet (3-1/2in ID x 2-1/2in Lg)
4	MAK41AM4	SCREW (M10-1.5 x 30)
5	MAK35AX1542	WASHER
6	MAK49AX230	PLUG, Inlet Manifold
7	MAK83AX698	CLAMP, Hose
8	MAK45MD29B	HOSE, Inlet (3in ID x 6in Lg)
8	MAK744GB310P2	HOSE, Silicone (3-3/4in ID x 4in Lg)
8	MAK45MD342M	HOSE, Inlet (3-1/2in ID x 6in Lg)
8	MAK45MD342M2	HOSE, Inlet (3-1/2in ID x 4-3/4in Lg)
8	MAK45MD414M3	HOSE, Inlet (4in ID x 7-1/8in Lg)
9	MAK590GB312B	GASKET (One Piece) (2 Req'd per Engine)
10	N/A	KIT, Intake Manifold Includes Clamps (2)ECL-1955 Manifolds (1)EMA-1968 (1)EMA-1969 Hose (1)EIH-1984
11	MAK64MT291	SENSOR, Air Temperature
11	MAK64MT2118M	SENSOR, Air Temperature
11	MAK64MT2101	SENSOR, Air Temperature
12	MAK64MT2102	SENSOR, Boost
12	MAK64MT467	SENSOR, Boost
13	MAK446GC2156	O-RING (ASET-EGR) (3.693in OD x 3.487in ID)
13	MAK446GC2149	O-RING (ASET-EGR) (3.895in OD x 3.475in ID)
14	MAK180GB329M	CLAMP, Hose (ASET-EGR)
15	MAK446GC2127	O-RING, Map Sensor (E7 Gas)
16	MAK590GB343	GASKET, Throttle (E7 Gas)
17	MAK105GC5190M	MANIFOLD, Intake (Front)



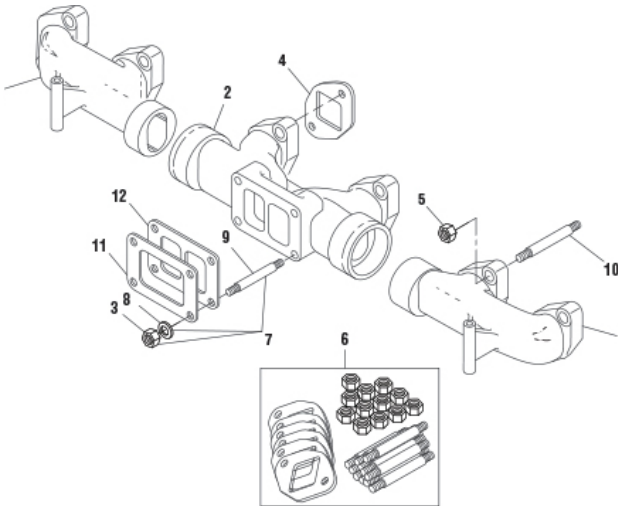
E7 SERIES SECTION – EXHAUST MANIFOLDS AND COMPONENTS – E7, E-TECH

KEY	OEM REF	DESCRIPTION
1	MAK104GC259M	MANIFOLD, Exhaust (Front/Rear) (Long Mounting Bosses)
1	MAK104GC5164M	MANIFOLD, Exhaust (Front/Rear) (Short Mounting Bosses)
2	MAK104GC5163AM2	MANIFOLD, Exhaust (Short Mounting Bosses) (Angle Turbo Mount)
2	MAK104GC5165M3	MANIFOLD, Exhaust (Center) (Short Mounting Bosses)
3	MAK142GC247M	NUT
3	MAK142GC236M	NUT (Current) (M12 x 1.75)
3	MAK142GC35M	NUT, Hex Flanged (M12 x 1.75)
4	MAK573GB257A	GASKET, Exhaust Manifold
5	MAK157AM5002C	NUT (Copper Plated) (M12 x 1.25)
6	MAK35AX1380	WASHER
7	MAK87GC212	LOCK, End (Use w/ ENU-0410 Nuts)
8	MAK87GC213	LOCK, Center (Use w/ ENU-0410 Nuts)
9	MAK616GC228M	STUD, Turbo Mount (M10 x 1.50 / M10 x 1.25 x 65)
9	MAK616GC245M3	STUD (M12 x 1.75 x 60)
10	MAK616GC245M	STUD (M12 x 1.75 x 113)
10	MAK616GC245M2	STUD (M12 x 1.75 x 103)
11	MAK590GB1189A	GASKET, Turbo (Single Port)
12	MAK3316-409038	GASKET, Turbo (Dual Port)
13	MAK271AM5009	WASHER
14	N/A	KIT, Turbo Mounting Includes Studs (4)EST-0421 Nuts (4)ENU-0411
14	MAK370SB24	KIT, Turbo Mounting Includes Studs (4)EST-0417 Washers (4)EWA-0337 Nuts (4)ENU-0406
15	N/A	KIT, Exhaust Manifold Includes Manifold (1)EEX-2054 Nuts (4)ENU-0411 Studs (4)EST-0421
16	N/A	KIT, Exhaust Manifold Includes Manifold (1)EEX-1764 Nuts (4)ENU-0411 Studs (4)EST-0421
16	N/A	KIT, Exhaust Manifold Includes Manifold (1)EEX-1848 Nuts (4)ENU-0411 Studs (4)EST-0421
17	MAK215SB310	KIT, Exhaust Mounting Includes Nuts (12)ENU-0411 Studs (12)EST-0421 Gaskets (6)EGK-3934



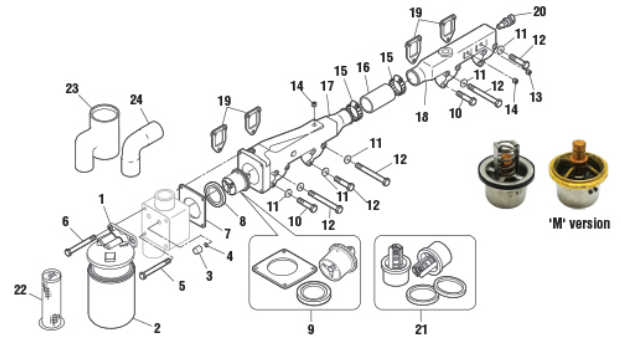
E7 SERIES SECTION – EXHAUST MANIFOLD W/ EGR – ASET ENGINE W/ EGR VALVE

KEY	OEM REF	DESCRIPTION
1	MAK104GC5164M	MANIFOLD, Exhaust (Front / Rear)
2	MAK573GB257A	GASKET, Exhaust Manifold
3	MAK616GC245M3	STUD, Exhaust Manifold (M12 x 1.75 x 60)
4	MAK142GC236M	NUT, Hex Flange (M12 x 1.75)
4	MAK142GC35M	NUT, Hex Flange (M12 x 1.75)
5	MAK104GC5194AM	MANIFOLD, Center Exhaust
6	MAK691GC514D	VALVE, EGR Assembly
7	MAK573GB323	GASKET, EGR Valve
8	MAK616GC228M3	STUD, EGR / Turbo
8	MAK616GC228M	STUD, Turbo Mount (M10 x 1.5 x M10 x 1.25 x 65)
9	MAK142GC247M	NUT, Turbo / EGR Valve Mtg (M10 x 1.25)
10	MAK271AM5009	WASHER (M10 ID)
11	MAK670GC579	TUBE, Engine
12	MAK28GB519A	EXCHANGER, Heat (EGR Cooler)
13	MAK61AX126	VALVE, Draincock
14	MAK421GC266M3	SCREW, Oil Pump (M10 x 1.5 x 30)
15	MAK191AM2	NUT, Hex Flange (M8 x 1.25)
16	MAK260GB215	CLAMP, V-Band (Hi-Torque)
17	MAK449GC236M	GASKET, EGR V-Band Clamp (60.25mm ID)
18	MAK449GC237M	GASKET, EGR V-Band Clamp (47.50mm ID)
19	MAK160AX543P3	HOSE, Silicone (1in ID)
20	MAK83AX1026	CLAMP, Hose (MIN 0.81in / MAX 1.5in)
21	MAK66AM2	CAPSCREW, Hex Flanged (M10 1.5 x 16) w/ Patchlock
22	MAK491GC412	HEAT SHIELD, Exhaust Manifold
23	MAK616GC278M	STUD, Hex Threaded (M10 x 1.5 x 90.5)
24	MAK191AM3	NUT, Hex Flange (M10 x 1.5 x 21.8)
25	MAK215SB310	KIT, Exhaust Manifold Mounting Includes Nuts (12)ENU-0411 Studs (12)EST-0421 Gaskets (6)EGK-3934
26	MAK590GB48	GASKET, Turbo (EGR Double Plate)
27	N/A	KIT, Turbo Stud Includes Studs (4)EST-0421 Nuts (4)ENU-0411
28	MAK744GB360	HOSE (1-7/8in x 1-1/2in x 4in)
29	MAK206MS58M	SENSOR Assembly
30	MAK744GB350A	HOSE, EGR Cooler (1in ID)



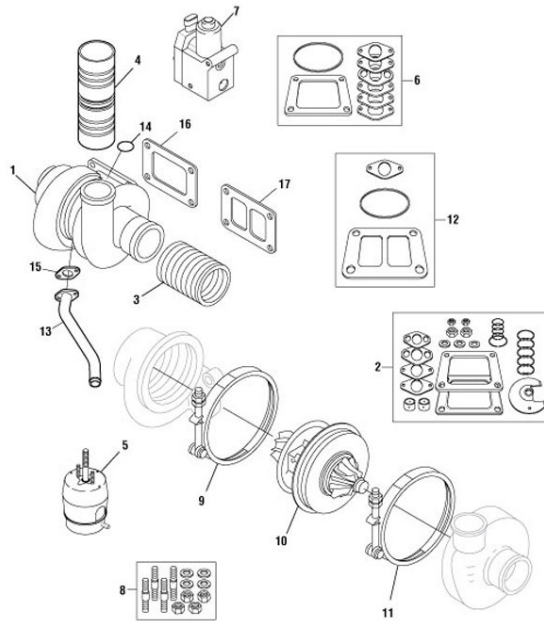
**E7 SERIES SECTION – EXHAUST MANIFOLDS –
ASET ENGINE W/O EGR VALVE**

KEY	OEM REF	DESCRIPTION
1	MAK104GC5203M	MANIFOLD, Exhaust (Front/Rear)
2	MAK104GC5213M	MANIFOLD, Exhaust (Center)
2	MAK104GC5215AM	MANIFOLD, Exhaust (Center) (MR, MC Models)
3	MAK142GC247M	NUT (M10 x 1.25)
3	MAK142GC236M	NUT (Current)(M12 x 1.75)
3	MAK142GC35M	NUT, Hex Flanged (M12 x 1.75)
4	MAK573GB257A	GASKET, Exhaust Manifold
5	MAK157AM5002C	NUT (Copper Plated) (M12 x 1.25)
6	MAK215SB310	KIT, Exhaust Mounting Includes Nuts (12)ENU-0411 Studs (12)EST-0421 Gaskets (6)EGK-3934
7	N/A	KIT, Turbo Mounting Includes Studs (4)EST-0421 Nuts (4)ENU-0411
7	MAK370SB24	KIT, Turbo Mounting Includes Studs (4)EST-0417 Washers (4)EWA-0337 Nuts (4)ENU-0406
8	MAK271AM5009	WASHER
9	MAK616GC228M	STUD, Turbo Mount (M10 x 1.50 / M10 x 1.25 x 65)
9	MAK616GC245M3	STUD (M12 x 1.75 x 60)
10	MAK616GC245M	STUD (M12 x 1.75 x 113)
10	MAK616GC245M2	STUD (M12 x 1.75 x 103)
11	MAK590GB1189A	GASKET, Turbo (Single Port)
11	MAK590GB49	GASKET, Turbo (Double Steel)
12	MAK3316-409038	GASKET, Turbo (Dual Port)
12	MAK590GB48	GASKET, Turbo, EGR (Double Plate Gasket)



E7 SERIES SECTION – ENGINE COOLING COMPONENTS

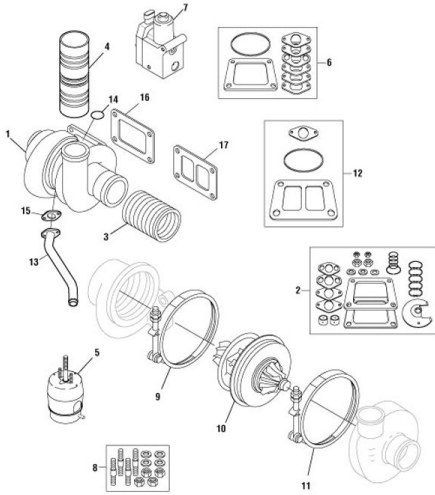
KEY	OEM REF	DESCRIPTION
1	MAK32GB354P2	BRACKET, Coolant
2	MAK25MF435A	FILTER, Coolant (Use w/ EMT-8970 Bracket)
3	MAK700GC120	VALVE, Check
4	MAK56AX393	O-RING
5	MAK66AM23	SCREW (M8 x 1.25 x 75)
6	MAK66AM22	SCREW (M8 x 1.25 x 85)
7	MAK590GB1334	GASKET
8	MAK447GC216A	SEAL
9	MAK215SB165P1	KIT, Thermostat (155 deg.) (Vented) Includes Seal (1)EOS-3305 Gasket (1)EGS-3890-012
9	MAK215SB165P1	KIT, Thermostat (155 deg.) (Vented) Includes Seal (1)EOS-3305 Gasket (1)EGS-3890-012
9	MAK215SB165P2	KIT, Thermostat (170 deg.) (Vented) Includes Seal (1)EOS-3305 Gasket (1)EGS-3890-012
9	MAK215SB165P2	KIT, Thermostat (170 deg.) (Vented) Includes Seal (1)EOS-3305 Gasket (1)EGS-3890-012
9	MAK215SB165BP3	KIT, Thermostat (180 deg.) (Vented) Includes Seal (1)EOS-3305 Gasket (1)EGS-3890-012
9	MAK215SB165BP3	KIT, Thermostat (180 deg.) (Vented) Includes Seal (1)EOS-3305 Gasket (1)EGS-3890-012
9	MAK215SB165P4	KIT, Thermostat(185 deg.) (Vented) Includes Seal (1)EOS-3305 Gasket (1)EGS-3890-012
10	MAK11AM5009	SCREW (M10 x 1.5 x 35)
11	MAK35AX1542	WASHER
12	MAK11AM5020	SCREW
13	MAK49AX234Z	PLUG
14	MAK49AX233	PLUG
15	MAK83AX452	CLAMP
16	MAK160AX561	HOSE
17	MAK107GC4121	MANIFOLD, Water Outlet (Front)
18	MAK107GC552A	MANIFOLD, Water Outlet (Rear)
19	MAK557GB118	GASKET, Manifold
20	MAK64MT2103	SENSOR, Water Temperature
21	MAK215SB169A	KIT, Thermostat (ASET) (180 & 185 deg.) (Both Vented) Includes Thermostats (2) Seals(2)EOS-3305
22	MAK387GC32	SCREEN, Coolant
23	MAK744GB45B	HOSE, Lower Thermostat Coolant (ASET)
24	MAK744GB46	HOSE, Coolant (ASET)



E7 SERIES SECTION – E7/E-TECH/ASET TURBOCHARGER

KEY	OEM REF	DESCRIPTION	KEY	OEM REF	DESCRIPTION
1	MAK631GC5133AM4	TURBOCHARGER (300-350hp) (Hose Connection)(R,RD,DM)	1	MAK631GC5153AM	TURBOCHARGER (S400/041)
1	MAK631GC5133AM4	TURBOCHARGER (300-350hp) (Hose Connection)(R,RD,DM)	1	MAK631GC5153AM2	TURBOCHARGER (S400/069)
1	MAK631GC5133AM6	TURBOCHARGER (300-350hp) (V-Band)(CH)	1	MAK631GC5153AM2X	TURBOCHARGER(S400/069)
1	MAK631GC5133AM6	TURBOCHARGER (300-350hp) (V-Band)(CH)	1	MAK631GC5123P4	TURBOCHARGER (S3A)
1	MAK631GC5133AM12	TURBOCHARGER (250-300hp) (Hose Connection)(R,RD,DM)	1	MAK631GC5126P2	TURBOCHARGER (S3A)
1	MAK631GC5133AM14	TURBOCHARGER (250-300hp) (V-Band)(CH)	1	MAK631GC5127M23	TURBOCHARGER (S3A)
1	MAK631GC5143M	TURBOCHARGER(E-Tech, ASET)	1	MAK631GC5123P6	TURBOCHARGER (S3A)
1	MAK631GC5172M3	TURBOCHARGER(ASET)	1	MAK631GC5123P3	TURBOCHARGER (S3A)
1	MAK631GC5138M	TURBOCHARGER(S4D)	1	MAK631GC5123P7	TURBOCHARGER (S3A)
1	MAK631GC5172AM5	TURBOCHARGER(ASET)	1	MAK631GC5127M5	TURBOCHARGER (S3A)
1	MAK631GC5173M4	TURBOCHARGER(E-Tech)	1	MAK631GC5127M	TURBOCHARGER (S3A)
1	MAK631GC5172AM7	TURBOCHARGER(ASET)	1	MAK631GC5127M21	TURBOCHARGER (S3A)
1	MAK631GC5176DM3	TURBOCHARGER (ASET)	1	MAK631GC5127M27	TURBOCHARGER (S3A)
1	MAK631GC5176DM3	TURBOCHARGER(ASET)	1	MAK631GC5127M32	TURBOCHARGER (S3A)
1	MAK631GC5176M10	TURBOCHARGER (ASET)	2	SCH318391	KIT,Turbo Repair (S3A)
1	MAK631GC5176M10	TURBOCHARGER(ASET)	2	MAK7536-166138	KIT,Turbo Repair (S3B)
1	MAK631GC5176M11	TURBOCHARGER (ASET)	3	MAK45MD361M	HOSE,Turbo Inlet (76mm ID x 102mm Lg)
1	MAK631GC5176AM11	TURBOCHARGER(ASET)	3	MAK45MD361M3	HOSE,Turbo Inlet (76mm ID x 140mm Lg)
1	MAK631GC5173M	TURBOCHARGER (E7)(427-460hp)	3	MAK45MD361M4	HOSE,Turbo Inlet (76mm ID x 152mm Lg)
1	MAK631GC5173MX	TURBOCHARGER(E7) (427-460hp)	3	MAK45MD361M5	HOSE,Turbo Inlet (76mm ID x 190mm Lg)
1	MAK631GC5174M	TURBOCHARGER (E7)(300-400hp) (Cast Titanium Compressor Wheel)	3	MAK45MD361M3	HOSE,Turbo Inlet (102mm ID x 152mm Lg)
1	MAK631GC5174AM	TURBOCHARGER(E7)(300-400hp) (Cast Titanium Compressor Wheel)	3	MAK45MD363M3	HOSE,Turbo Inlet (102mm ID x 152mm Lg)
1	MAK631GC5176M12	TURBOCHARGER (ASET) (Models CH,CHN,CX)	3	MAK45MD363M4	HOSE,Turbo Inlet (102mm ID x 197mm Lg)
1	MAK631GC5176M12	TURBOCHARGER(ASET)(Models CH,CHN,CX)	4	MAK45MD417M2	HOSE,Turbo Outlet (90mm ID x 262mm Lg)
			5	SCH174307	ACTUATOR,Wastegate (E-Tech)
			6	SCH318417	KIT,Turbo Mounting Includes Gaskets (1)EGS-3890-020 (1)EGS-2861 (1)331308 (1)EGS-2862 (1)131480 (1)EGS-2863 (1)131494 O-Ring (1)121227

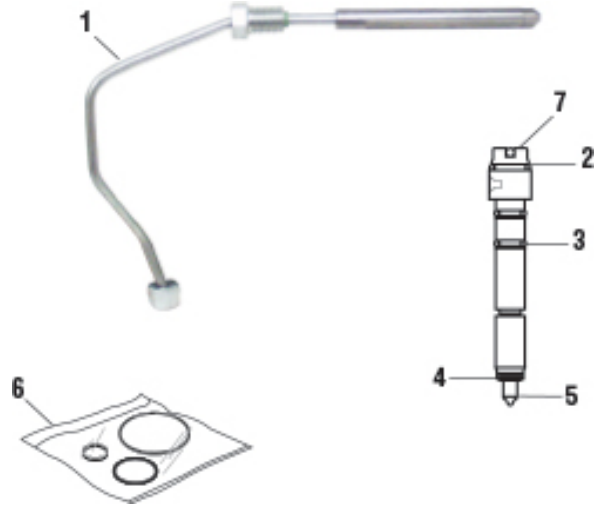
Continued



E7 SERIES SECTION – E7/E-TECH/ASET TURBOCHARGER

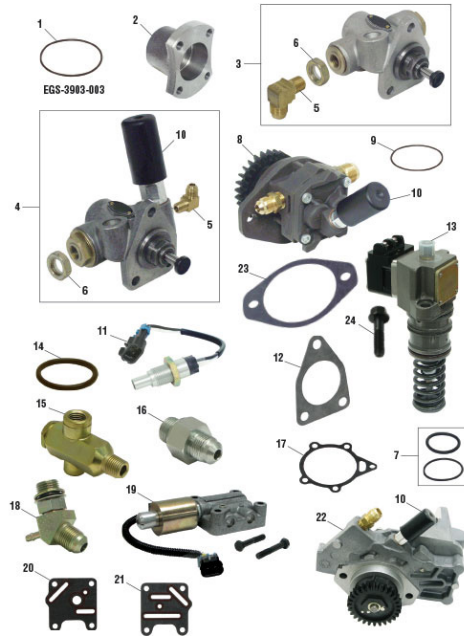
Continued

KEY	OEM REF	DESCRIPTION
7	MAK691GC49M	VALVE,Air(VGT - ASET)
8	N/A	KIT,Turbo Mounting Includes Studs (4)EST-0421 Nuts (4)ENU-0411
8	MAK370SB24	KIT,Turbo Mounting Includes Studs (4)EST-0417 Nuts (4)ENU-0406 Washers (4)EWA-0337
9	SCH194650	CLAMP,Turbine
10	SCH171926	CARTRIDGE,Turbocharger (For Turbocharger ETC-8264)
11	SCH194649	CLAMP,Compressor
12	N/A	KIT,Turbocharger Installation (S400S) Includes Gaskets (1)EGS-3890-020 (1)EGS-2863 (1)331308
12	MAK7536-173568	KIT, Turbocharger Installation (ASET) (Used with ETC-8246 Turbocharger) Includes Gaskets (1)831013 (1)EGK-3867 O-Ring (1)EGK-3877
13	MAK681GC484	TUBE,Oil Drain
14	MAK446GC1225	O-RING,Oil Inlet
15	MAK590GB1296A	GASKET,Oil Drain Tube(Large Hole)
15	MAK590GB2109A	GASKET,Oil Drain Tube(Small Hole)
16	MAK590GB1189A	GASKET,Turbo(Single Port)
16	MAK590GB49	GASKET,Turbo(EGR Double Plate)
17	MAK3316-409038	GASKET,Turbo(Dual Port)
17	MAK590GB48	GASKET,Turbo(EGR Double Plate)



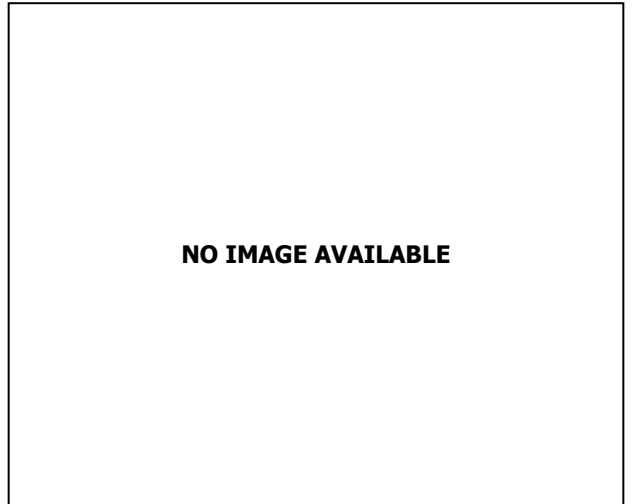
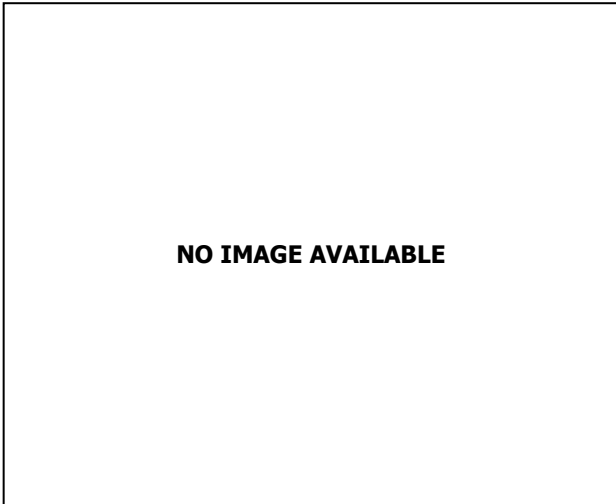
E7 SERIES SECTION – FUEL INJECTION TUBES – E-TECH (EUP)

KEY	OEM REF	DESCRIPTION
1	MAK203GC4380AM	TUBE, Fuel (6 Req'd Per Engine)
2	MAK446GC1225	O-RING (6 Req'd)
3	MAK446GC2125	O-RING (6 Req'd)
4	MAK590GB2166	SEAL
5	MAK114GC325	NOZZLE, Injector
6	MAK209SB18	KIT, Injector Seal (ETECH/ASET) Includes O-Rings (1)EGA-3877 (1)EGA-3859 Seal (1)EGS-3895-008
6	MAK207SB12	KIT, Injector Seal (E7) Includes O-Rings (1)EGA-3895-007 (1)EGS-3895-009 Seal (1)EGS-3895-008
7	MAK736GB343P2X	ASSEMBLY, Injector (Reman) (E7)
7	MAK736GB343P6X	ASSEMBLY, Injector (Reman) (E7)
7	MAK736GB343P7X	ASSEMBLY, Injector (Reman) (E-Tech)
7	MAK736GB410MX	ASSEMBLY, Injector (Reman) (E-Tech)
7	MAK736GB415MX	ASSEMBLY, Injector (Reman) (E-Tech)
7	MAK736GB415M2X	ASSEMBLY, Injector (Reman) (E-Tech)
7	MAK736GB419M2X	ASSEMBLY, Injector (Reman) (ASET)



E7 SERIES SECTION – FUEL INJECTION COMPONENTS

KEY	OEM REF	DESCRIPTION	KEY	OEM REF	DESCRIPTION
1	MAK935-2410210014	O-RING, Pump Mount Robert Bosch	16	MAK691GC228M2	VALVE, Fuel Check
1	MAK446GC2131M	O-RING (Lower) (E-Tech Unit Pump)	17	MAK590GB2157	GASKET, Econvance
1	MAK446GC2129M	O-RING (Upper) (E-Tech Unit Pump)	18	MAK691GC225M2	VALVE, Relief (54 psig)
2	MAK791GB329M	HUB, Injection Pump Driven Gear	18	MAK691GC225M	VALVE, Relief (44 psig) (E-Tech)
3	MAK314GC227P5	PUMP, Supply,Fuel Includes Fitting (1)EFF-4138 Nut (1)ENU-4139	19	MAK805GC319	VALVE, Econovance
4	MAK935-0440008120	PUMP, Supply, Fuel (w/ Hand Primer) Includes Fitting (1)EFF-4138 Nut (1)ENU-4139	20	MAK590GB2137A	GASKET, Econovance
5	MAK63AX3667	FITTING, Elbow (1/4in Pipe x 3/8in Tube)	21	MAK590GB2155	GASKET, Econovance
6	MAK935-2443315000	NUT, Seal	22	MAK322GC512M	PUMP, Supply (ASET)
7	MAK8609-EHL243	KIT, O-Ring (Unit Pump) (E-Tech) Includes O-Rings (1)EKT-8561-001 (1)EKT-8561-002	23	MAK590GB1144A	GASKET, Pump Mounting
8	MAK322GC49A	PUMP, Supply,Fuel (E-Tech)	24	MAK421GC2123M	SCREW, EUP Pump Mounting (2 req'd per pump)
9	MAK4103-24432114	O-RING	25	RBB9440080022	PUMP, Supply (photo not available)
10	RBB2447222025	PUMP, Primer			
11	MAK64MT2105M	SENDER, Timing			
12	RBB1411073006	GASKET, Supply Pump (Robert Bosch)			
13	MAK313GC5227M	PUMP, Injection Unit Reman (E-Tech)			
13	MAK313GC5230M	PUMP, Injection Unit (E-Tech & ASET)			
13	MAK313GC5230MX	PUMP, Injection Unit Reman (E-Tech & ASET)			
13	MAK313GC5233M	PUMP, Injection (E-Tech & ASET)			
14	MAK446GC2132M	O-RING, RPM/TDC Sensor (ASET) (.17mm x 1.78mm)			
15	MAK935-2417413011	VALVE, Overflow (Robert Bosch)			

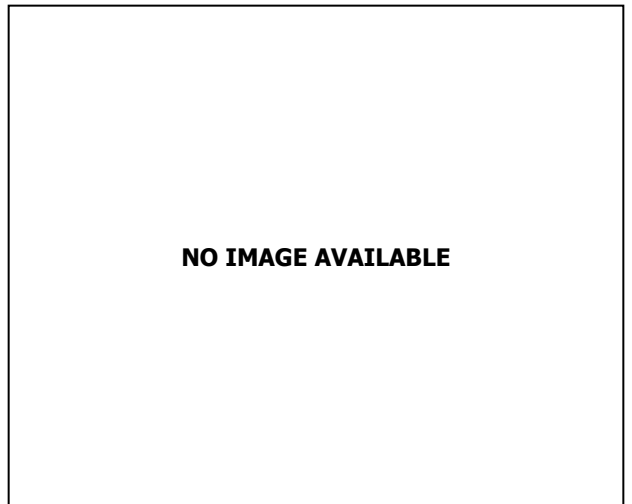


**E7 SERIES SECTION – GASKET SETS –
UPPER GASKET SETS**

KEY	OEM REF	DESCRIPTION
1	MAK57GC2178A	SET, Upper Gasket (E7 E-Tech (EUP)/ASET w/o EGR) (w/o Head Gaskets) Includes Gaskets (1)EGS-3890-020 (1)EGS-3890-012 (1)EGK-3867 (2)EGS-3890-010 (6)EGK-3934 (2)EGK-3426 Seals (1)EOS-3305 (6)EGS-3895-008 (24)EOS-0444 (24)EOS-0443 O-Rings (6)EGA-3877 (6)EGA-3859 (1)EGA-0461 (1)EGS-3905-009
1	MAK57GC2118A	SET, Upper Gasket (E7 (PLN) Engines Only) (w/o Head Gaskets) (w/ Valve Seals) Includes Gaskets (1)EGK-3867 (2)EGS-3890-010 (1)EGS-3890-012 (2)EGK-3929 (2)EGK-3935 (1)EGS-3890-020 (6)EGK-3934 Seals (24)EOS-0443 (1)EOS-3305 (6)EGS-3895-008 O-Rings (4)EF30130 (2)EGA-1177 (1)EGS-3895-005(6)EGS-3895-007 (12)EGS-3895-009
1	MAK57GC2118	SET, Upper Gasket (E7 (PLN) Engines Only) (w/o Head Gaskets or Valve Seals) Includes Gaskets (1)EGK-3867 (2)EGS-3890-010 (1)EGS-3890-012 (2)EGK-3929 (2)EGK-3935 (1)EGS-3890-020 (6)EGK-3934 Seals (1)EOS-3305 (6)EGS-3895-008 O-Rings (4)EF30130 (2)EGA-1177 (1)EGS-3895-005 (6)EGS-3895-007 (12)EGS-3895-009
1	MAK215SB337A	SET, Upper Gasket (ASET w/ EGR set-up) (w/o Head Gaskets) Includes Gaskets (2)831010 (3)831011 (2)EGK-3426 (6)EGK-3934 (1)831012 (1)EGS-3890-012 (1)EGK-3867 (2)EGS-3890-010 (1)831013 (1)831014 Seals (24)EOS-0444 (2)EOS-3305 (6)EGS-3895-008 Isolators (12)EIS-8441 O-Rings (6)EGA-3859 (1)821010 (1)821011 (2)EGA-0461
1	MAK57GC2172	SET, Upper Gasket (E7 Natural Gas) Includes Gaskets (1)831014 (1)EGK-3867 (2)EGK-3929 (1)EGS-3890-012 (6)EGK-3934 (2)831009 (2)EGS-3890-010 Seals (1)EOS-3305 (24)EOS-0443 O-Rings (1)EGA-0461 (1)821012 (12)321209 Lower

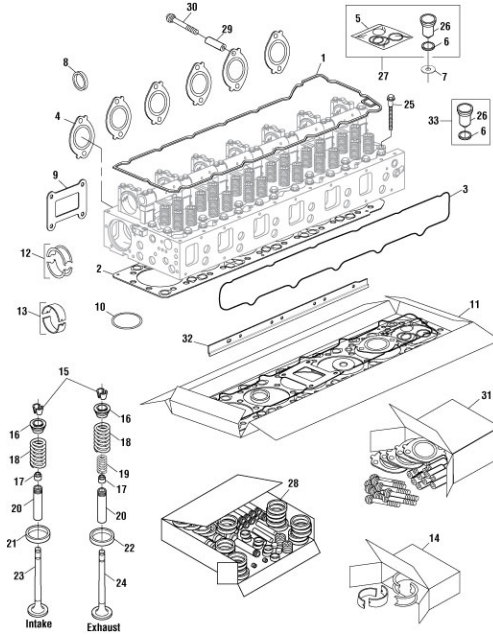
**E7 SERIES SECTION – GASKET SETS –
LOWER GASKET SETS**

KEY	OEM REF	DESCRIPTION
	MAK57GC3133A	SET, Lower Gasket (ASET w/ EGR)
	MAK126SB191	SET, Lower Gasket
	MAK126SB191A	SET, Lower Gasket
	MAK57GC2119	SET, Lower Gasket (E7(PLN)/Early E7 Natural Gas)
	MAK57GC2197	SET, Lower Gasket (Late E7 Natural Gas)
	MAK4103-5001852974	SET, Lower Gasket (Renault/ASET)
	MAK4103-5001858730	SET, Lower Gasket (Renault/ASET)



**E7 SERIES SECTION – GASKET SETS –
OVERHAUL GASKET SETS**

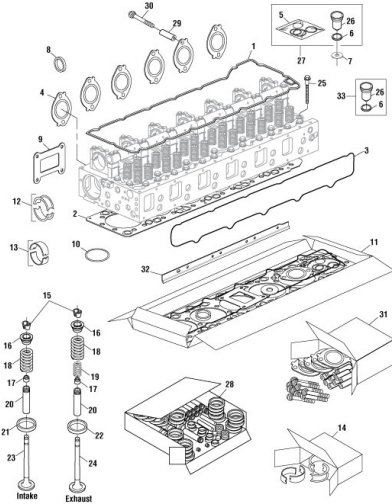
KEY	OEM REF	DESCRIPTION
	N/A	SET,Overhaul Gasket (E-Tech (EUP)/ASET w/o EGR) Includes Upper Gasket Set (1)EGS-3856 Lower Gasket Set (1)EGS-3841 Head Gasket Sets (2)EGK-8434



MP 7 AND 8 SERIES SECTION – CYLINDER HEAD

KEY	OEM REF	DESCRIPTION	KEY	OEM REF	DESCRIPTION
1	MAK20804638	GASKET, Valve Cover (MP 7)	11	MAK21533184	SET, Head Gasket(MP7) Includes Gaskets (1)831030 (1)831055 (1)831026 (1)803900 (1)831036 (2)831025 (1)803899 (1)831023 (2)831027 (6)831020 Rings (1)821067 (2)821069 (2)121270 (1)821068 Seals (2)821071 (1)831056 (4)836005 (2)831041 (6)831070 Washers (4)842052 (2)842041 O-Rings (2)821032 (1)821031 (1)821023 (4)821024 O-Ring Kits (6)821020 Clamps (2)842020 (1)842022 Fasteners (2)831047 Cable ties (10)831043
1	MAK20538793	GASKET, Valve Cover (MP 8)	12	MAK20999613	BEARING, Cam (MP 8)
2	MAK20495935	GASKET, Cylinder Head (MP 7)	13	MAK20999623	BEARING, Cam (MP 8)
2	MAK21313537	GASKET, Cylinder Head (MP 8)	14	N/A	KIT, Cam Bearing (MP 8) Includes Bearings (1)871060 (6)871061
3	MAK20850506	GASKET, Intake Manifold (MP 7)	15	MAK20510747	LOCK, Valve
3	MAK20805850	GASKET, Intake Manifold (MP 8)	16	MAK20510743	RETAINER, Valve
4	MAK21482601	GASKET, Exhaust Manifold (MP 7)	17	MAK20864662	SEAL, Valve
4	MAK20543071	GASKET, Exhaust Manifold (MP 8)	18	MAK3183210	SPRING, Valve (Outer)
5	MAK276948	KIT, Injector O-Ring Includes O-Rings (1)821025 (1)821026 (1)821027 (1)821028	19	MAK3183211	SPRING, Valve (Inner)
6	MAK20536487	O-RING, Injector Sleeve	20	MAK20904074	GUIDE, Valve (MP 8)
7	MAK21261987	SEAL, Injector Nozzle	20	MAK20905400	GUIDE, Valve (MP 8)
8	MAK20938963	GASKET, Exhaust Manifold Seal	21	MAK20740804	SEAT, Intake (STD, MP8)
9	MAK21137579	GASKET, Turbo Mounting (MP 8)	22	MAK20530103	SEAT, Exhaust (STD, MP8)
9	MAK20781146	GASKET, Turbo Mounting(MP 7)	23	MAK20740798	VALVE, Intake (MP 8)
10	MAK21096684	O-RING, Turbo(MP 8)	24	VOL20768519	VALVE, Exhaust (MP 8)
11	MAK21409435	SET, Head Gasket (MP8) Includes Gaskets (2)831027 (1)831005 (2)831004 (2)831025 (1)831032 (1)831035 (1)831023 (6)831033 (1)831037 (1)831036 (1)831031 (1)831026 Rings (2)121270 Washers (3)842051 (3)842052 (1)842050 O-Ring (1)821033 (2)821031 O-Ring kits (6)821020 Cable ties (7)831043 Cages (4)831042 Seals (2)831041 (1)821074 (1)831070 (1)821071 (4)836005	25	MAK1547419	BOLT, Cylinder Head (M16 x 8.5 x 200)
			26	MAK21401136	SLEEVE, Injector (Stainless)
			26	MAK3183368	SLEEVE, Injector (Copper)
			27	MAK85124276	KIT, Injector Sleeve (Cooper) Includes Sleeve (1)891990 O-Ring Kit (1)821020 O-Ring (1)821013

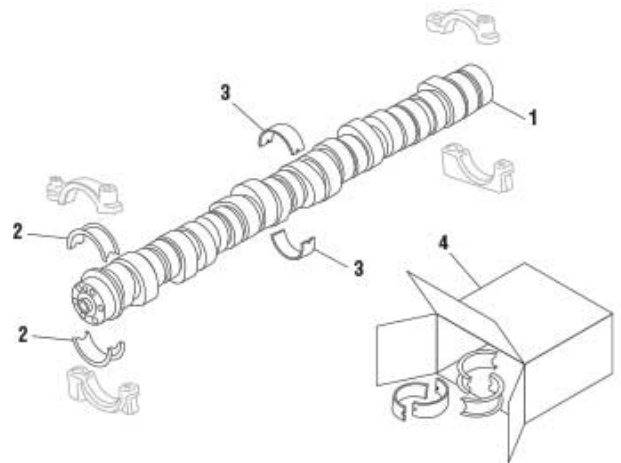
Continued



MP 7 AND 8 SERIES SECTION – CYLINDER HEAD

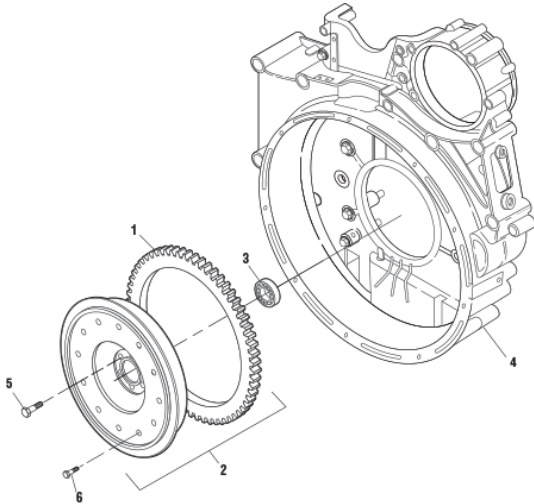
Continued

KEY	OEM REF	DESCRIPTION
28	N/A	KIT, Cylinder Head Repair (MP 8) Includes Valves (12)845010 (12)845011 Seats (12)845041 (12)845042 Guides (24) 842071 Seals (24)842060
29	MAK993167	SPACER, Exhaust Bolt
30	MAK984760	BOLT, Exhaust Manifold (M10 x 1.25 x 90 Hex Head w/ Flange)
31	N/A	KIT, Exhaust Mounting (MP 8) Includes Bolts (12)840024 Spacers (12)840053 Gaskets (6)831033
32	VOL20566300	SHIELD,Heat
33	MAK85137065	KIT, Injector Sleeve (Stainless) Includes Sleeve (1)891987 O-Ring (1)821013



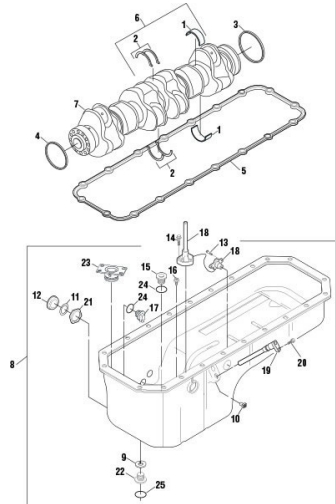
MP 7 AND 8 SERIES SECTION – CAMSHAFT MP 8

KEY	OEM REF	DESCRIPTION
1	MAK20742607	CAMSHAFT (MP 8)
1	MAK20742610	CAMSHAFT (MP 8)
1	MAK20920956	CAMSHAFT (MP 8)
2	MAK20999613	BEARING, Cam (MP 8)
3	MAK20999623	BEARING, Cam (MP 8)
4	N/A	KIT, Cam Bearing (MP 8) Includes Bearings (1)871060 (6)871061



MP 7 AND 8 SERIES SECTION – FLYWHEEL ASSEMBLY

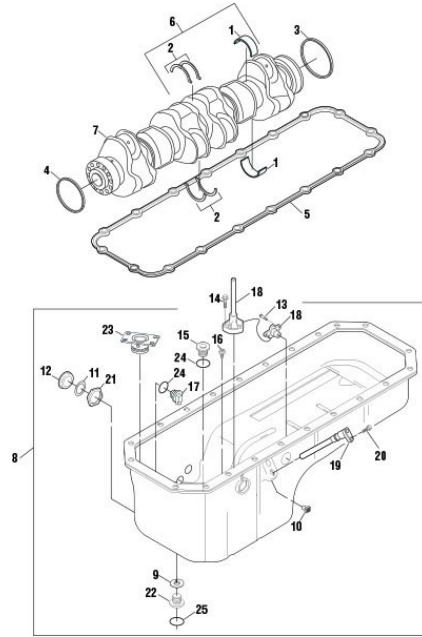
KEY	OEM REF	DESCRIPTION
1	MAK20711957	GEAR, Starter Ring (MP 7/8) (153 Teeth)
2	MAK21514061	ASSEMBLY, Flywheel (MP 7) Includes Gear 860070
2	MAK21514067	ASSEMBLY, Flywheel (MP 8) Includes Gear 860070
3	MAK46AX539	BEARING, Clutch Pilot (Sealed)
4	MAK21347406	HOUSING (MP 8)
4	MAK20939679	HOUSING (MP 7)
5	MAK20741747	SCREW w/ Captive Washer
6	MAK6AX1764	SCREW (Clutch Mounting)



MP 7 AND 8 SERIES SECTION – CRANKSHAFT

KEY	OEM REF	DESCRIPTION
1	MAK20867178	BEARING, Main (MP 7 - STD)
1	MAK20867751	BEARING, Main (MP 7 - .25)
1	MAK20867757	BEARING, Main (MP 7 - .50)
1	MAK85103710	BEARING, Main (MP 7 - .75)
1	MAK20867761	BEARING, Main (MP 7 - 1.00)
1	MAK85103712	BEARING, Main (MP 7 - 1.25)
1	MAK20530916	BEARING, Main (MP 8 - STD)
1	MAK20578624	BEARING, Main (MP 8 - .25)
1	MAK20578625	BEARING, Main (MP 8 - .50)
1	MAK20578626	BEARING, Main (MP 8 - .75)
1	MAK20578627	BEARING, Main (MP 8 - 1.00)
1	MAK20578628	BEARING, Main (MP 8 - 1.25)
2	MAK21267844	KIT, Thrust Washer (STD) (MP 7/MP 8)(4 pcs)
3	MAK20441481	SEAL, Rear Crankshaft (MP 8) (Teflon)
3	MAK1543896	SEAL, Rear Crankshaft (MP 8) (Neoprene)
3	MAK8148259	SEAL, Rear Crankshaft (MP 7) (Teflon)
4	MAK21347087	SEAL, Front Crankshaft
5	MAK20541940	GASKET, Oil Pan (MP 8, Volvo D13)
5	MAK20539127	GASKET, Oil Pan (MP 7)
6	N/A	KIT, Main Bearing (MP 7 - STD) Includes Main Bearing (7)871000 Washer kit (1)871010
6	N/A	KIT, Main Bearing (MP 7 - .25) Includes Main Bearings (7)871001 Washer kit (1)871010
6	N/A	KIT, Main Bearing (MP 7 - .50) Includes Main Bearings (7)871002 Washer kit (1)871010
6	N/A	KIT, Main Bearing (MP 7 - .75) Includes Main Bearings (7)871003 Washer kit (1)871010
6	N/A	KIT, Main Bearing (MP 7 - 1.00) Includes Main Bearings (7)871004 Washer kit (1)871010
6	N/A	KIT, Main Bearing (MP 7 - 1.25) Includes Main Bearings (7)871005 Washer kit (1)871010

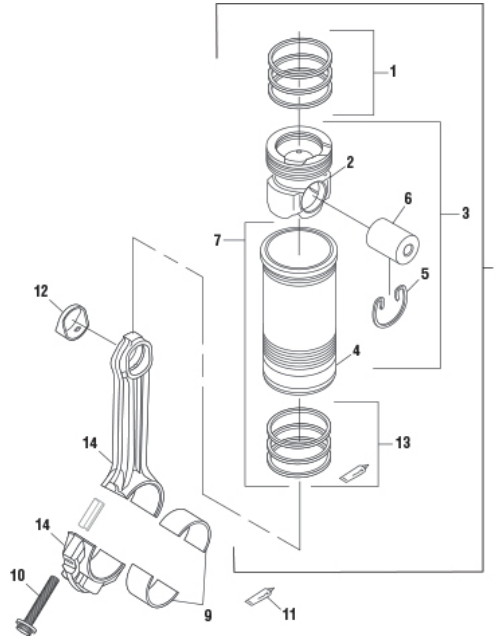
Continued



MP 7 AND 8 SERIES SECTION – CRANKSHAFT

Continued

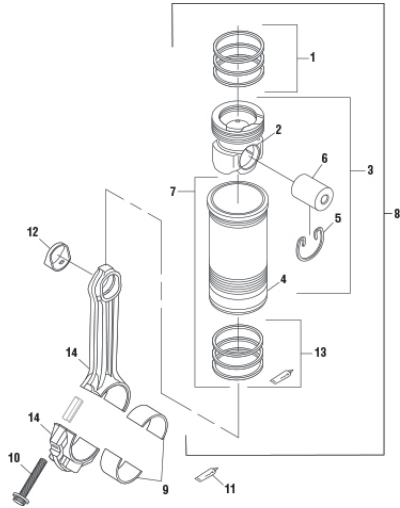
KEY	OEM REF	DESCRIPTION	KEY	OEM REF	DESCRIPTION
6	N/A	KIT, Main Bearing (MP 8 - STD) Includes Main Bearing (7)871050 Washer kit (1)871010	17	MAK20587534	FITTING, Pan Retainer
6	N/A	KIT, Main Bearing (MP 8 - .25) Includes Main Bearings (7)871051 Washer kit (1)871010	18	MAK21521353	SENSOR, Oil Level and Temperature
6	N/A	KIT, Main Bearing (MP 8 - .50) Includes Main Bearings (7)871052 Washer kit (1)871010	19	MAK21523327	TUBE, Dipstick Guide
6	N/A	KIT, Main Bearing (MP 8 - .75) Includes Main Bearings (7)871053 Washer kit (1)871010	20	MAK26AM43	SCREW, Flange (M8 x 16)
6	N/A	KIT, Main Bearing (MP 8 - 1.00) Includes Main Bearings (7)871054 Washer kit (1)871010	21	MAK142GC250M	NUT, Hex
6	N/A	KIT, Main Bearing (MP 8 - 1.25) Includes Main Bearings (7)871055 Washer kit (1)871010	22	MAK20571854	PLUG, Magnetic Drain (w/ Seal 836015)
7	MAK20486222	CRANKSHAFT (MP 8)	23	MAK20839219	RETAINER, Drain Plug
8	MAK21368390	PAN, Oil (MP 8) Includes Oil Pan Assembly (1) Seal (1)836015 Insert (1)840143 Fittings (1)840093 (1)840092 Retainers(2)840006 (1)841222 Oil Sensor (1)853714 Guide Tube (1)841221 Nuts (2)840142 Plugs (1)840088 (2)050581 Rings (2)821064 O-Rings (1)821037 (2)121366 (1)821038 Screws (3)040079 (5)040048 (2)FSC-0328	24	MAK446GC2158M	RING, Sealing
9	MAK20579690	SEAL, Fitting	25	MAK20586720	O-RING
10	MAK20451904	INSERT, Threaded			
11	MAK446GC2159M	O-RING			
12	MAK272GC228M	PLUG			
13	MAK26AM4	SCREW, Flanged (M6 x 20)			
14	MAK995453	SCREW, Flanged (M6 x 30)			
15	MAK20527447	FITTING, Oil Pan Retainer			
16	MAK20700754	RETAINER, Threaded			



MP 7 AND 8 SERIES SECTION – PISTONS, ROD BEARINGS AND LINER KITS

KEY	OEM REF	DESCRIPTION	KEY	OEM REF	DESCRIPTION
1	MAK20856715	SET, Piston Ring (MP7)	8	MAK21367720	KIT, Cylinder (MP7) Includes Piston kit (1)811021 Liner kit (1)861611 Ring set (1)805040
1	MAK20747511	SET, Piston Ring (MP8)	8	MAK20928630	KIT, Cylinder (MP8) Includes Piston kit (1)811025 Liner kit (1)861613 Ring set (1)805050
1	MAK21896942	SET, Piston Ring (MP8)	8	MAK21209650	KIT, Cylinder (MP8) MAK 20941597 Includes Piston kit (1)811023 Liner kit (1)861613 Ring set (1)805050
2	MAK20983898	PISTON (MP7) (NSS)	8	MAK21253770	KIT, Cylinder (MP 8) Includes Piston kit (1)811027 Liner kit (1)861613 Ring set (1)805050
2	MAK21105177	PISTON (MP8) (NSS)	8	MAK21330684	KIT, Cylinder (MP 13) Includes Piston kit (1)811029 Liner kit (1)861613 Ring set (1)805050
2	MAK21041800	PISTON (MP8) (NSS)	9	MAK20856959	BEARING, Rod (MP7-STD)
2	MAK21161901	PISTON (MP 8) (NSS)	9	MAK7421013911	BEARING, Rod (MP7-.25mm)
2	MAK21170742	PISTON (MP 13) (NSS)	9	MAK7421013912	BEARING, Rod (MP7-.50mm)
3	N/A	KIT, Piston (MP7) Includes Piston (1)811020 Pin (1)811001 Retainers (2)811010	9	MAK7421013913	BEARING, Rod (MP7-.75mm)
3	N/A	KIT, Piston (MP8) Includes Piston (1)811022 Pin (1)811002 Retainers (2)811011	9	N/A	BEARING, Rod (MP7-1.00mm)
3	N/A	KIT, Piston (MP8) Includes Piston (1)811024 Pin (1)811002 Retainers (2)811011	9	N/A	BEARING, Rod (MP7-1.25mm)
3	N/A	KIT, Piston (MP 8) Includes Piston (1)811026 Pin (1)811002 Retainers (2)811011	9	MAK20580558	BEARING, Rod (MP8-STD)
3	N/A	KIT, Piston (MP 13) Includes Piston (1)811028 Pin (1)811002 Retainers (2)811011	9	MAK20711963	BEARING, Rod (MP8-.25mm)
4	MAK20820662	LINER (MP7)	9	MAK20711964	BEARING, Rod (MP8-.50mm)
4	MAK20760235	LINER (MP8)	9	MAK20711965	BEARING, Rod (MP8-.75mm)
5	MAK3161087	RING, Retaining (MP7)	9	MAK20711966	BEARING, Rod (MP8-1.00mm)
5	MAK914531	RING, Retaining (MP8)	9	MAK20711967	BEARING, Rod (MP8-1.25mm)
6	MAK20479554	PIN, Piston (MP7)	10	MAK4103-7420480811	SCREW, Connecting Rod (MP7) (M11 x 1.25 x 79.5 flanged hex head)
6	MAK20569833	PIN, Piston (MP8)	10	MAK20486228	BOLT, Connecting Rod (MP 8) (M12 x 1.5 x 70 hex head w/ washer)
7	N/A	KIT, Liner (MP7) Includes Liner (1)861610 Seal kit (1)821021			
7	N/A	KIT, Liner (MP8) Includes Liner (1)861612 Seal kit (1)821022			

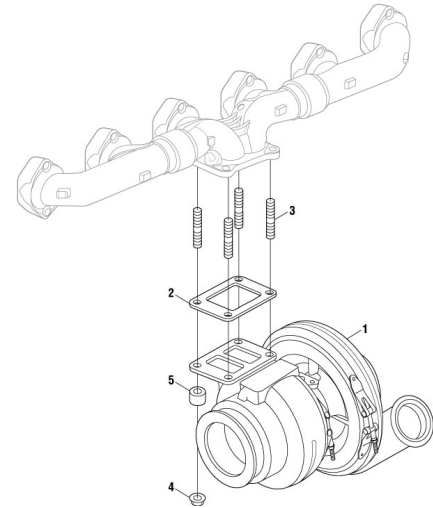
Continued



MP 7 AND 8 SERIES SECTION – PISTONS, ROD BEARINGS AND LINER KITS

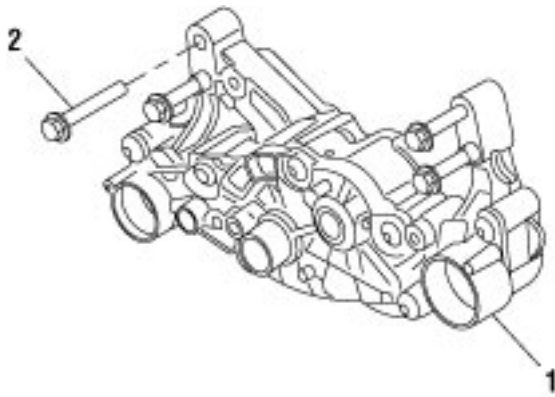
Continued

KEY	OEM REF	DESCRIPTION
11	MAK1698135	LUBRICANT, O-Ring
12	MAK20730398	BUSHING, Rod (MP 7/8)
13	MAK85103699	KIT, Seal Liner (MP7) Includes O-Rings (1)821017 (1)821072 (1)821073 Lubricant (1)821001
13	MAK270950	KIT, Seal Liner (MP8) Includes O-Rings (1)821014 (2)821015 (1)821016 Lubricant (1)821001
14	MAK20876840	ROD, Connecting (MP 8)



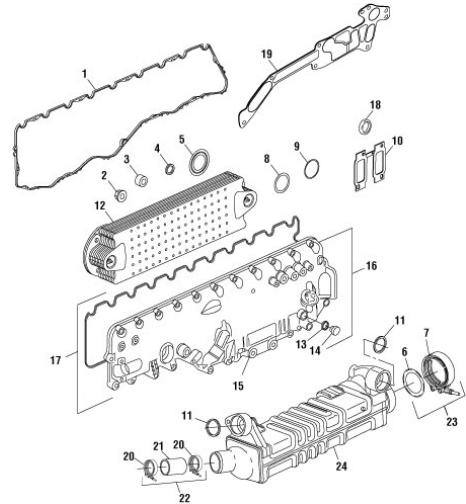
MP 7 AND 8 SERIES SECTION – TURBOCHARGER

KEY	OEM REF	DESCRIPTION
1	MAK21111305	TURBOCHARGER
1	MAK85136172	TURBOCHARGER
1	MAK85141061	TURBOCHARGER
1	MAK85141058	TURBOCHARGER (MP 7)
2	MAK590GB312B	GASKET
3	MAK21345127	STUD, Turbocharger Mounting
4	MAK1543499	NUT, Turbocharger
5	MAK20573472	SPACER



MP 7 AND 8 SERIES SECTION – OIL PUMP

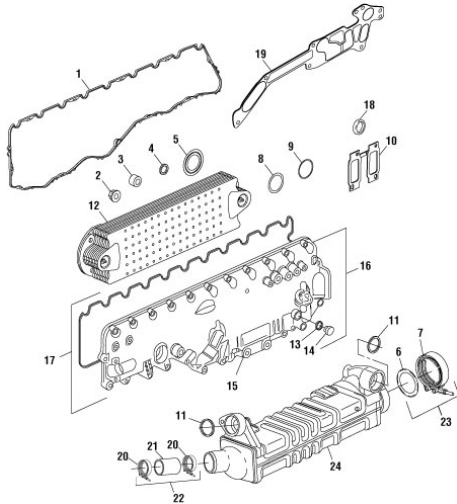
KEY	OEM REF	DESCRIPTION
1	MAK20835230	PUMP, Oil (MP7)
1	MAK20824906	PUMP, Lube (MP8)
2	MAK949853	SCREW, Flanged Hex Head (MP7) (M8 x 1.25 x 20)
2	MAK965180	SCREW, Flanged Hex Head (MP8) (M8 x 1.25 x 60)



MP 7 AND 8 SERIES SECTION – OIL COOLER AND EGR COOLER

KEY	OEM REF	DESCRIPTION
1	MAK20584639	GASKET, Oil Cooler (MP7)
1	MAK20979871	GASKET, Oil Cooler (MP8 - Early Bead)
1	MAK21294062	GASKET, Oil Cooler (MP8 - Current Edge Molded)
2	MAK471622	LOCKNUT (MP7)
3	MAK20573472	SPACER, Sleeve (MP7)
4	MAK471626	SEAL, Oil Cooler
5	MAK20551483	SEAL, Oil Cooler
6	MAK20841816	GASKET, Oil Cooler (MP7/MP8)
6	MAK20495666	GASKET, EGR Tube
6	MAK20495670	GASKET, EGR Tube
7	MAK20504408	CLAMP, V-Band
7	MAK20504406	CLAMP, V-Band
7	MAK20755169	CLAMP, Oil Cooler, EGR
8	MAK8192189	RING, Sealing (MP8)
9	MAK967343	O-RING, EGR Pipe
10	MAK20850815	GASKET, EGR Cooler
11	MAK1547253	SEAL, EGR Cooler
12	MAK20729259	COOLER, Oil (MP7)
12	MAK20742946	COOLER, Oil (MP8)
12	MAK20505537	COOLER, Oil (MP8)
13	MAK21024032	WASHER
14	MAK960632	PLUG
15	MAK21423744	COVER, Oil Cooler (MP8)
16	MAK21423742	ASSEMBLY, Cover Includes Cover (1)805030 Plugs (3)840060 Washers (3)842041
16	MAK21677248	ASSEMBLY, Cover (MP8) Includes Cover (1) Plugs (3)840060 Washers (3)842041
17	MAK21508091	KIT, Cover (MP8) Includes Assembly (1)805029 Gasket (1)831039
17	MAK21508089	KIT, Cover (MP8) Includes Assembly (1)805032 Gasket (1)831039
18	MAK20555696	RING, Sealing Oil Cooler (MP8)

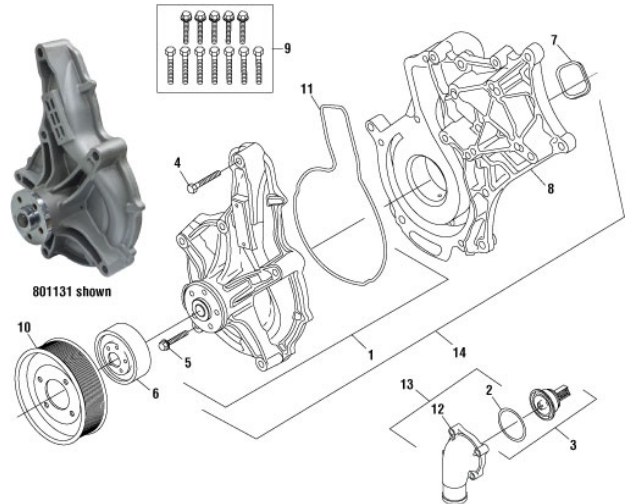
Continued



MP 7 AND 8 SERIES SECTION – OIL COOLER AND EGR COOLER

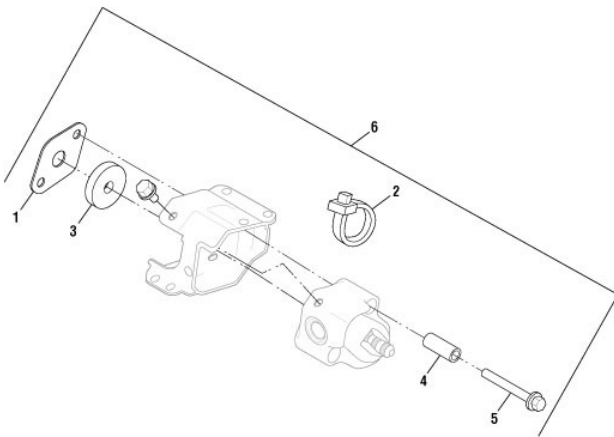
Continued

KEY	OEM REF	DESCRIPTION
19	MAK20787167	GASKET, Oil Filter (Housing to Block) (MP 8)
20	MAK20920723	CLAMP, EGR Cooler Hose
21	MAK21393264	HOSE, EGR (2-1/4in ID x 3-1/2in OAL)
22	MAK85124530	KIT, EGR Hose Includes Hose (1)ECH-8529 Clamps (2)803632
23	MAK85113698	KIT, EGR V-Band Clamp Includes Clamps (4)842019 Gaskets (4)831064
23	MAK20501191	KIT, EGR V-Band Clamp Includes Clamps (2)842018 Gaskets (2)831065
24	MAK21480645	COOLER, EGR (MP8)
24	MAK85136427	COOLER, EGR (MP7)



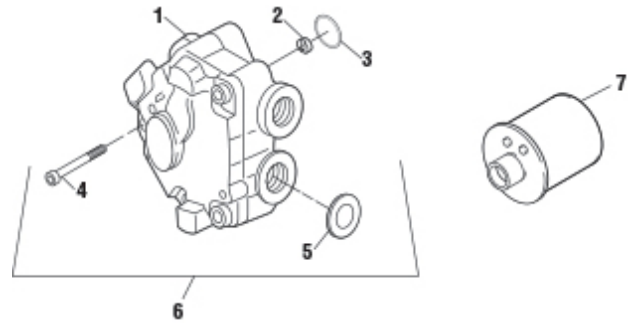
MP 7 AND 8 SERIES SECTION – WATER PUMP

KEY	OEM REF	DESCRIPTION
1	MAK85124623	KIT, Water Pump
2	MAK21503575	SEAL, Thermostat
3	MAK21412639	KIT, Thermostat (180 deg) Includes Thermostat (1) Seal (1)831022
4	MAK965180	SCREW, Flange (M8 x 1.25 x 60)
4	MAK20965822	SCREW w/ Studed End (M8 x 55/M6 x 12)
5	MAK965216	SCREW (M8 x 1.25 x 55)
6	MAK20582556	PULLEY, Idler (MP 8)
6	MAK302GC4118	PULLEY, Idler (12 groove)
6	MAK302GC4122	PULLEY, Idler (10 groove)
7	MAK20430678	SEAL, Water Housing (MP 8)
8	MAK22195464	HOUSING, Water Pump (MP 8)
9	N/A	KIT, Pump Installation Includes Screws (5)840010 (6)840011 (1)840012
10	MAK302GC4120	PULLEY, Fan (12 groove)
11	MAK21415427	GASKET, Water Pump
12	MAK21519562	HOUSING, Thermostat (NSS, see 801170) (MP 8)
13	MAK21905526	HOUSING, Thermostat (MP 8) Includes Housing (1)801171 Seal (1)831022
14	MAK20995158	KIT, Water Pump (MP 8) Includes Water Pump Kit (1)801131 Housing (1)801152 Screws (6)840011 Seal (1)836011



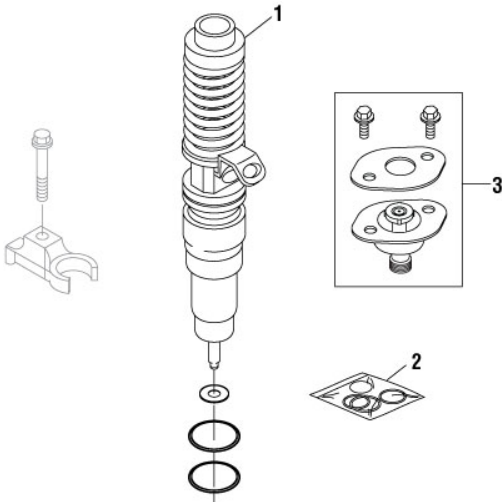
MP 7 AND 8 SERIES SECTION – DOSER KIT

KEY	OEM REF	DESCRIPTION
1	MAK20887403	GASKET, Fuel
2	MAK20831902	TIE, Cable
3	MAK20824436	ISOLATOR, EGR Thermal
4	MAK20824438	SPACER, Screw
5	MAK20824439	SCREW, Flanged Hex Head (M6 x 1 x 60)
6	MAK85115784	KIT, Doser Includes Cable Tie (1)831048 Isolator (1)131956 Gasket (1)131841 Spacers (2)040098 Screws (2)040144



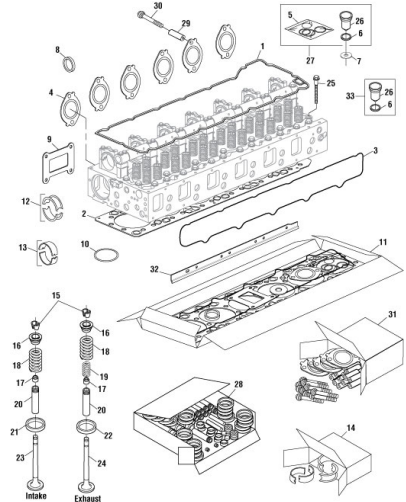
MP 7 AND 8 SERIES SECTION – FUEL TRANSFER PUMP

KEY	OEM REF	DESCRIPTION
1	MAK20997341	PUMP, Fuel Transfer
2	MAK85103779	COUPLING
3	MAK85103703	O-RING
4	MAK85103780	SCREW, Torx (M6-1 x 60mm)
5	MAK11996	WASHER
5	MAK982724	WASHER, Sealing
6	MAK85118917	KIT, Fuel Pump Includes Pump (1)880830 Coupling (1)801086 O-Ring (1)121195 Screws (3)840009 Washers (4)842050 (4)136120
7	MAK3169582	PUMP, Fuel In-Line



**MP 7 AND 8 SERIES SECTION –
INJECTOR ASSEMBLY – MP**

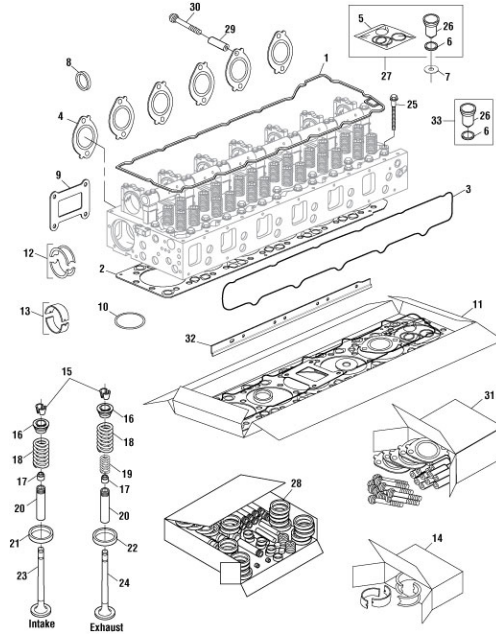
KEY	OEM REF	DESCRIPTION
1	MAK21244717X	ASSEMBLY, Injector (Reman) (MP 8)
1	MAK21371672X	ASSEMBLY, Injector (Reman) (MP 8)
2	MAK276948	KIT, Injector O-Ring Includes O-Rings (1)821025 (1)821026 (1)821027 (1)821028
3	MAK21407621	KIT, DEF Injector



D11 AND D13 SERIES SECTION – CYLINDER HEAD

KEY	OEM REF	DESCRIPTION
1	VOL20804638	GASKET, Valve Cover (D11)
1	VOL20538793	GASKET, Valve Cover (D13)
1	VOL21123014	GASKET, Valve Cover (D12)
2	VOL20495935	GASKET, Cylinder Head (D11)
2	VOL21313537	GASKET, Cylinder Head (D13)
2	VOL3099100	GASKET, Cylinder Head (D12)
3	VOL20850506	GASKET, Intake Manifold (D11)
3	VOL20805850	GASKET, Intake Manifold (D13)
4	VOL21482601	GASKET, Exhaust Manifold (D11)
4	VOL20543071	GASKET, Exhaust Manifold (D13)
5	VOL276948	KIT, Injector O-Ring Includes O-Rings (1)821025 (1)821026 (1)821027 (1)821028
6	VOL20536487	O-RING, Injector Sleeve
7	VOL21261987	SEAL, Injector Nozzle
8	VOL20938963	GASKET, Exhaust Manifold Seal
9	VOL21137579	GASKET, Turbo Mounting (D13)
9	VOL20781146	GASKET, Turbo Mounting (D11)
10	VOL21096684	O-RING, Turbo (D13)
11	VOL21409435	SET, Head Gasket (D13) Includes Gaskets (2)831027 (1)831005 (2)831004 (2)831025 (1)831032 (1)831035 (1)831023 (6)831033 (1)831037 (1)831036 (1)831031 (1)831026 Rings (2)121270 Washers (3)842051 (3)842052 (1)842050 O-Ring (1)821033 (2)821031 O-Ring kits (6)821020 Cable ties (7)831043 Cages (4)831042 Seals (2)831041 (1)821074 (1)831070 (1)821071 (4)836005

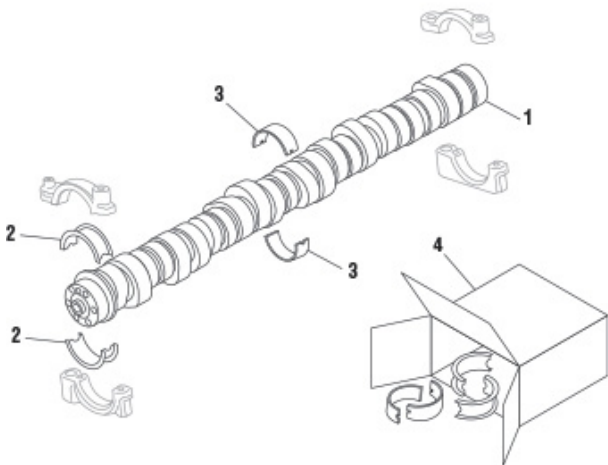
Continued



D11 AND D13 SERIES SECTION – CYLINDER HEAD

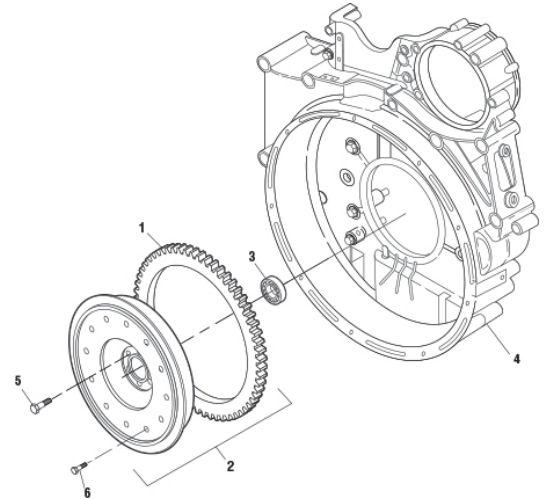
Continued

KEY	OEM REF	DESCRIPTION	KEY	OEM REF	DESCRIPTION
11	VOL21533184	SET, Head Gasket (D11) Includes Gaskets (1)831030 (1)831055 (1)831026 (1)803900 (1)831036 (2)831025 (1)803899 (1)831023 (2)831027 (6)831020 Rings (1)821067 (2)821069 (2)121270 (1)821068 Seals (2)821071 (1)831056 (4)836005 (2)831041 (6)831070 Washers (4)842052 (2)842041 O-Rings (2)821032 (1)821031 (1)821023 (4)821024 O-Ring Kits (6)821020 Clamps (2)842020 (1)842022 Fasteners (2)831047 Cable ties (10)831043	28	N/A	KIT, Cylinder Head Repair (D13) Includes Valves (12)845010 (12)845011 Seats (12)845041 (12)845042 Guides (24) 842071 Seals (24)842060
12	VOL20999613	BEARING, Cam (D13)	29	VOL993167	SPACER, Exhaust Bolt
13	VOL20999623	BEARING, Cam (D13)	30	VOL 984760	BOLT, Exhaust Manifold (M10 x 1.25 x 90 Hex Head w/ Flange)
14	N/A	KIT, Cam Bearing (D13) Includes Bearings (1)871060 (6)871061	31	N/A	KIT, Exhaust Mounting (D13) Includes Bolts (12)840024 Spacers (12)840053 Gaskets (6)831033
15	VOL20510747	LOCK, Valve	32	VOL20566300	SHIELD, Heat
16	VOL20510743	RETAINER, Valve	33	MAK85137065	KIT, Injector Sleeve (Stainless) Includes Sleeve (1)891987 O-Ring (1)821013
17	VOL21501189	SEAL, Valve Stem (D11)			
17	VOL20864662	SEAL, Valve Stem			
18	VOL3183210	SPRING, Valve (Outer)			
19	VOL3183211	SPRING, Valve (Inner)			
20	VOL20904074	GUIDE, Valve (D13)			
20	VOL20905400	GUIDE, Valve (D11)			
21	VOL20740804	SEAT, Intake (STD, D13)			
22	VOL20530103	SEAT, Exhaust (STD, D13)			
23	VOL20740798	VALVE, Intake (D13)			
24	VOL20768519	VALVE, Exhaust (D13)			
25	VOL1547419	BOLT, Cylinder Head (M16 x 8.5 x 200)			
26	VOL21401136	SLEEVE, Injector (Stainless)			
26	VOL3183368	SLEEVE, Injector (Copper)			
27	VOL85124276	KIT, Injector Sleeve (Copper) Includes Sleeve (1)891990 O-Ring Kit (1)821020 O-Ring (1)821013			



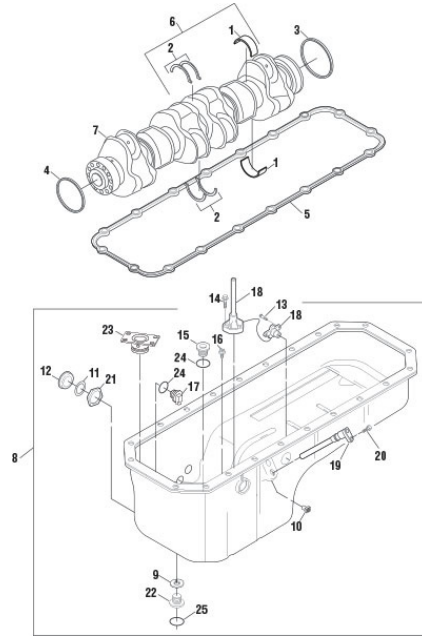
D11 AND D13 SERIES SECTION – CAMSHAFT

KEY	OEM REF	DESCRIPTION
1	VOL20742607	CAMSHAFT
1	VOL20742610	CAMSHAFT
1	VOL20920956	CAMSHAFT
2	VOL20999613	BEARING, Cam
3	VOL20999623	BEARING, Cam
4	N/A	KIT, Cam Bearing Includes Bearings (1)871060 (6)871061



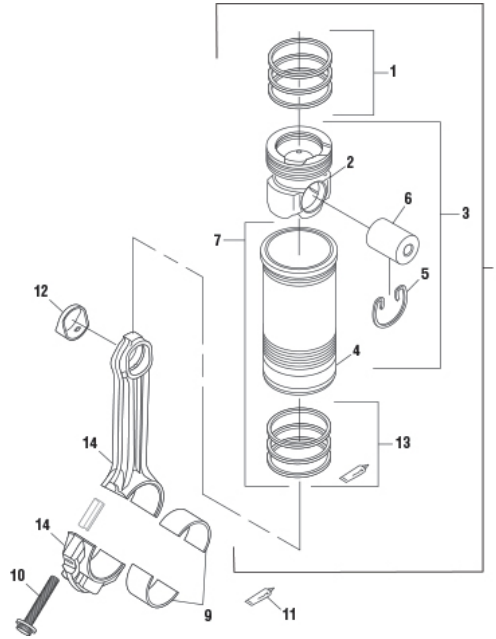
D11 AND D13 SERIES SECTION – FLYWHEEL ASSEMBLY

KEY	OEM REF	DESCRIPTION
1	VOL20711957	GEAR, Starter Ring (153 Teeth) (D11, D13)
2	VOL21514061	ASSEMBLY, Flywheel (D11) Includes Gear 860070
2	VOL21514067	ASSEMBLY, Flywheel (D13) Includes Gear 860070
3	VOL20512915	BEARING, Clutch Pilot (Sealed)
4	VOL21347406	HOUSING (D13)
4	VOL20939679	HOUSING (D11)
5	VOL20741747	SCREW w/ Captive Washer
6	MAK6AX1764	SCREW (Clutch Mounting)



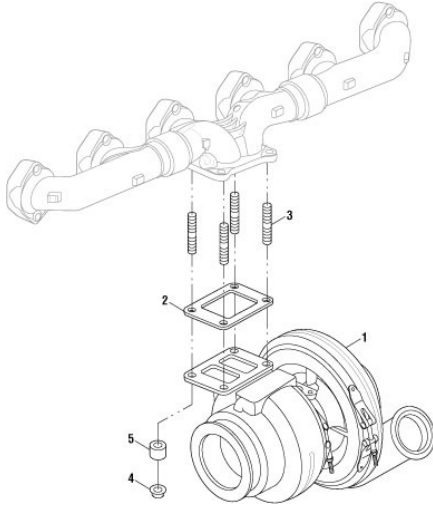
D11 AND D13 SERIES SECTION – CRANKSHAFT – D13

KEY	OEM REF	DESCRIPTION	KEY	OEM REF	DESCRIPTION
1	VOL20867178	BEARING, Main (D11 - STD)	6	N/A	KIT, Main Bearing (D13 - .50) Includes Main Bearings (7)871052 Washer kit (1)871010
1	VOL20867751	BEARING, Main (D11 - .25)	6	N/A	KIT, Main Bearing (D13 - .75) Includes Main Bearings (7)871053 Washer kit (1)871010
1	VOL20867757	BEARING, Main (D11 - .50)	6	N/A	KIT, Main Bearing (D13 - 1.00) Includes Main Bearings (7)871054 Washer kit (1)871010
1	VOL85103710	BEARING, Main (D11 - .75)	6	N/A	KIT, Main Bearing (D13 - 1.25) Includes Main Bearings (7)871055 Washer kit (1)871010
1	VOL20867761	BEARING, Main (D11 - 1.00)	7	VOL20486222	CRANKSHAFT (D13)
1	VOL85103712	BEARING, Main (D11 - 1.25)	8	VOL21368390	PAN, Oil (D13) Includes Oil Pan Assembly (1) Seal (1)836015 Insert (1)840143 Fittings (1)840093 (1)840092 Retainers(2)840006 (1)841222 Oil Sensor (1)853714 Guide Tube (1)841221 Nuts (2)840142 Plugs (1)840088 (2)050581 Rings (2)821064 O-Rings (1)821037 (2)121366 (1)821038 Screws (3)040079 (5)040048 (2) FSC-0328
1	VOL20530916	BEARING, Main (D13 - STD)	9	VOL20579690	SEAL, Fitting
1	VOL20578624	BEARING, Main (D13 - .25)	10	VOL20451904	INSERT, Threaded
1	VOL20578625	BEARING, Main (D13 - .50)	11	VOL968209	O-RING
1	VOL20578626	BEARING, Main (D13 - .75)	12	VOL968612	PLUG
1	VOL20578627	BEARING, Main (D13 - 1.00)	13	VOL984726	SCREW, Flanged (M6 x 20)
1	VOL20578628	BEARING, Main (D13 - 1.25)	14	VOL995453	SCREW, Flanged (M6 x 30)
2	VOL21267844	KIT, Thrust Washer (STD) (D11/D13) (4pcs)	15	VOL20527447	FITTING, Oil Pan Retainer
3	VOL20441481	SEAL, Rear Crankshaft (D13)(Teflon)	16	VOL20700754	RETAINER, Threaded
3	VOL1543896	SEAL, Rear Crankshaft (D13) (Neo- prene)	17	VOL20587534	FITTING, Pan Retainer
3	VOL8148259	SEAL, Rear Crankshaft (D11) (Teflon)	18	VOL21521353	SENSOR, Oil Level and Temperature
4	VOL21347087	SEAL, Front Crankshaft	19	VOL21523327	TUBE, Dipstick Guide
5	VOL20541940	GASKET, Oil Pan (D13)	20	VOL984733	SCREW, Flange (M8 x 16)
5	VOL20539127	GASKET, Oil Pan (D11)	21	VOL468948	NUT, Hex
5	VOL21293367	GASKET, Oil Pan (D13)	22	VOL20571854	PLUG, Magnetic Drain (w/ Seal 836015)
6	N/A	KIT, Main Bearing (D11 - STD) Includes Main Bearing (7)871000 Washer kit (1)871010	23	VOL20839219	RETAINER, Drain Plug
6	N/A	KIT, Main Bearing (D11 - .25) Includes Main Bearings (7)871001 Washer kit (1)871010	24	VOL20586647	RING, Sealing
6	N/A	KIT, Main Bearing (D11 - .50) Includes Main Bearings (7)871002 Washer kit (1)871010	25	VOL20586720	O-RING
6	N/A	KIT, Main Bearing (D11 - .75) Includes Main Bearings (7)871003 Washer kit (1)871010			
6	N/A	KIT, Main Bearing (D11 - 1.00) Includes Main Bearings (7)871004 Washer kit (1)871010			
6	N/A	KIT, Main Bearing (D11 - 1.25) Includes Main Bearings (7)871005 Washer kit (1)871010			
6	N/A	KIT, Main Bearing (D13 - STD) Includes Main Bearing (7)871050 Washer kit (1)871010			
6	N/A	KIT, Main Bearing (D13 - .25) Includes Main Bearings (7)871051 Washer kit (1)871010			



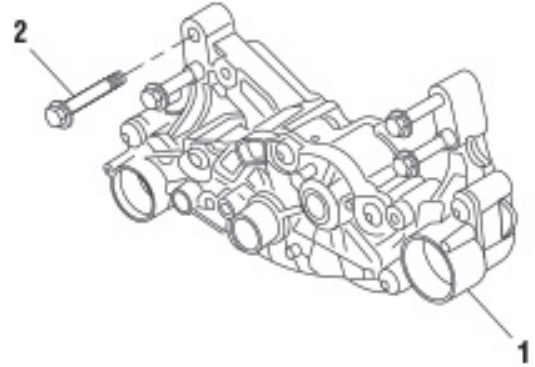
D11 AND D13 SERIES SECTION – PISTONS, ROD BEARINGS AND LINER KITS

KEY	OEM REF	DESCRIPTION	KEY	OEM REF	DESCRIPTION
1	VOL20856715	SET, Piston Ring (D11)	8	VOL20928630	KIT, Cylinder (D13) Includes Piston kit (1)811025 Liner kit (1)861613 Ring set (1)805050
1	VOL20747511	SET, Piston Ring (D13)	8	VOL21209650	KIT, Cylinder (D13) Includes Piston kit (1)811023 Liner kit (1)861613 Ring set (1)805050
1	VOL21896942	SET, Piston Ring (D13)	8	VOL21253770	KIT, Cylinder (D13) Includes Piston kit (1)811027 Liner kit (1)861613 Ring set (1)805050
2	VOL20983898	PISTON (D11) (NSS)	8	VOL21330684	KIT, Cylinder (D13) Includes Piston kit (1)811029 Liner kit (1)861613 Ring set (1)805050
2	VOL21105177	PISTON (D13) (NSS)	9	VOL20856959	BEARING, Rod (D11-STD)
2	VOL21041800	PISTON (D13) (NSS)	9	VOL21013911	BEARING, Rod(D11-.25mm)
2	VOL21161901	PISTON (D13) (NSS)	9	VOL21013912	BEARING, Rod (D11-.50mm)
2	VOL21170742	PISTON (D13) (NSS)	9	VOL21013913	BEARING, Rod (D11-.75mm)
3	N/A	KIT, Piston (D11) Includes Piston (1)811020 Pin (1)811001 Retainers (2)811010	9	N/A	BEARING, Rod (D11-1.00mm)
3	N/A	KIT, Piston (D13) Includes Piston (1)811022 Pin (1)811002 Retainers (2)811011	9	N/A	BEARING, Rod (D11-1.25mm)
3	N/A	KIT, Piston (D13) Includes Piston (1)811024 Pin (1)811002 Retainers (2)811011	9	VOL20580558	BEARING, Rod (D13-STD)
3	N/A	KIT, Piston (D13) Includes Piston (1)811026 Pin (1)811002 Retainers (2)811011	9	VOL20711963	BEARING, Rod (D13-.25mm)
3	N/A	KIT, Piston (D13) Includes Piston (1)811028 Pin (1)811002 Retainers (2)811011	9	VOL20711964	BEARING, Rod (D13-.50mm)
4	VOL20820662	LINER (D11)	9	VOL20711965	BEARING, Rod (D13-.75mm)
4	VOL20760235	LINER (D13)	9	VOL20711966	BEARING, Rod (D13-1.00mm)
5	VOL3161087	RING, Retaining (D11)	9	VOL20711967	BEARING, Rod (D13-1.25mm)
5	VOL914531	RING, Retaining (D13)	10	VOL20480811	BOLT, Connecting Rod (D11) (M11 x 1.25 x 79.5 flanged hex head)
6	VOL20479554	PIN, Piston (D11)	10	VOL20486228	BOLT, Connecting Rod (D13) (M12 x 1.5 x 70 hex head w/ washer)
6	VOL20569833	PIN,Piston(D13)	11	VOL1698135	LUBRICANT, O-Ring
7	N/A	KIT, Liner (D11) Includes Liner (1)861610 Seal kit (1)821021	12	VOL20730398	BUSHING, Rod (D13)
7	N/A	Includes Liner (1)861612 Seal kit (1)821022	13	VOL85103699	KIT, Seal Liner (D11) Includes O-Ring (1)821017 Rings (1)821072 (1)821073 Lubricant (1)821001
8	VOL21367720	KIT, Cylinder (D11) Includes Piston kit (1)811021 Liner kit (1)861611 Ring set (1)805040	13	VOL270950	KIT, Seal Liner (D13) Includes O-Rings (1)821014 (2)821015 (1)821016 Lubricant (1)821001
			14	VOL20876840	ROD, Connecting (D13)



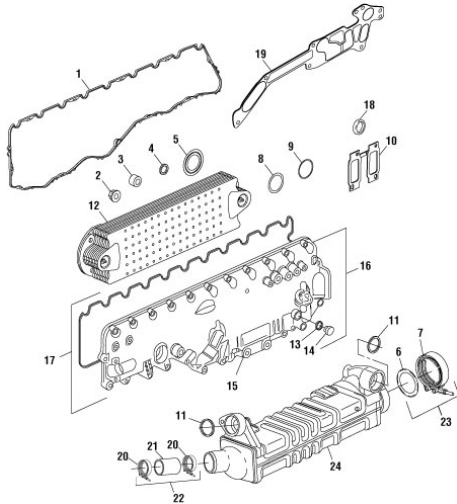
D11 AND D13 SERIES SECTION – TURBOCHARGER

KEY	OEM REF	DESCRIPTION
1	VOL21111305	TURBOCHARGER
1	VOL85136172	TURBOCHARGER
1	VOL85141061	TURBOCHARGER
1	VOL85141058	TURBOCHARGER (D 11)
2	MAK590GB312B	GASKET
3	VOL21345127	STUD, Turbocharger Mounting
4	VOL1543499	NUT, Turbocharger
5	VOL20573472	SPACER



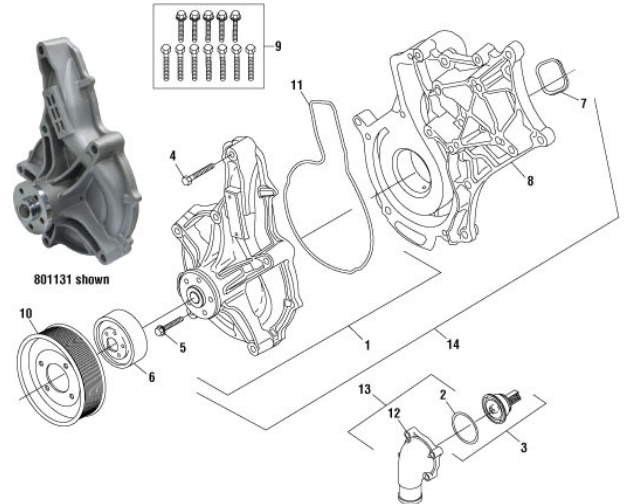
D11 AND D13 SERIES SECTION – OIL PUMP

KEY	OEM REF	DESCRIPTION
1	VOL20835230	PUMP, Oil (D11)
1	VOL20824906	PUMP, Lube (D13)
2	VOL949853	SCREW, Flanged Hex Head (D11) (M8 x 1.25 x 20)
2	VOL965180	SCREW, Flanged Hex Head (D13) (M8 x 1.25 x 60)



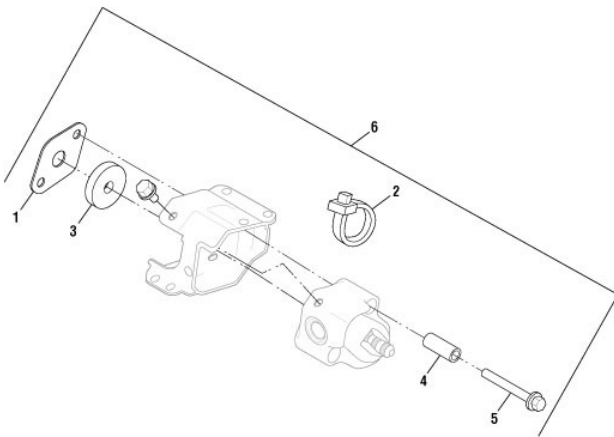
D11 AND D13 SERIES SECTION – OIL COOLER AND EGR COOLER

KEY	OEM REF	DESCRIPTION
1	VOL20584639	GASKET, Oil Cooler (D11)
1	VOL20979871	GASKET, Oil Cooler (D13 - Early Bead)
1	VOL21294062	GASKET, Oil Cooler (D13 - Current Edge Molded)
2	VOL471622	LOCKNUT (D11)
3	VOL20573472	SPACER, Sleeve
4	VOL471626	SEAL, Oil Cooler
5	VOL20551483	SEAL, Oil Cooler
6	VOL20841816	GASKET, Oil Cooler (D11/D13)
7	VOL20755169	CLAMP, Oil Cooler, EGR
8	VOL8192189	RING, Sealing (D13)
9	VOL967343	O-RING, EGR Pipe
10	VOL20850815	GASKET, EGR Cooler
11	VOL1547253	SEAL, EGR Cooler
12	VOL20729259	COOLER, Oil (D11)
12	VOL20505537	COOLER, Oil (D13)
13	VOL21024032	WASHER (D13)
14	VOL960632	PLUG (D13)
15	VOL21423744	COVER, Oil Cooler (D13)
16	VOL21423742	ASSEMBLY, Cover (D13) Includes Cover (1)805030 Plugs (3)840060 Washers (3)842041
16	VOL21677248	ASSEMBLY, Cover (D13) Includes Cover (1)805029 Gasket (1)831039
17	VOL21508091	KIT, Cover (D13) Includes Assembly (1)805029 Gasket (1)831039
17	VOL21508089	KIT, Cover (D13) Includes Assembly (1)805032 Gasket (1)831039
18	VOL20555696	RING, Sealing Oil Cooler (D13)
19	VOL20787167	GASKET, Oil Filter (Housing to Block) (D13)
20	VOL20920723	CLAMP, EGR Cooler Hose
21	VOL21393264	HOSE, EGR (2-1/4in ID x 3-1/2in OAL)
22	VOL85124530	KIT, EGR Hose Includes Hose (1)ECH-8529 Clamps (2)803632
23	VOL85113698	KIT, EGR V-Band Clamp (D12) Includes Clamps (4)842019 Gaskets (4)831064
23	VOL20501191	KIT, EGR V-Band Clamp (D12) Includes Clamps (2)842018 Gaskets (2)831065
24	VOL21480645	COOLER, EGR (D13)
24	VOL85136427	COOLER, EGR (D11)



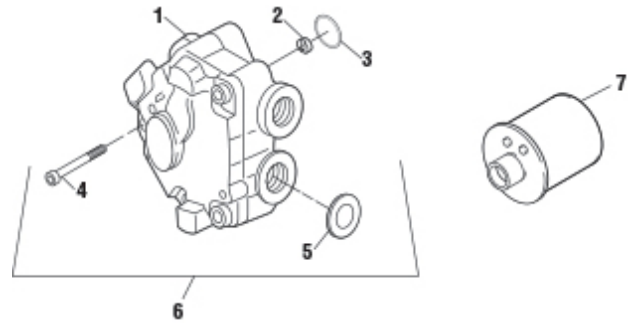
D11 AND D13 SERIES SECTION – WATER PUMP

KEY	OEM REF	DESCRIPTION
1	VOL85124623	KIT, Water Pump
2	VOL21503575	SEAL, Thermostat
3	VOL21412639	KIT, Thermostat (180 deg) Includes Thermostat (1) Seal (1)831022
4	VOL965180	SCREW, Flange (M8 x 1.25 x 60)
4	VOL20965822	SCREW w/ Studed End (M8 x 55/M6 x 12)
5	VOL965216	SCREW (M8 x 1.25 x 55)
6	VOL20582556	PULLEY, Idler (D13)
6	VOL20872498	PULLEY, Idler (12 groove)
6	VOL20872502	PULLEY, Idler (10 groove)
7	VOL20430678	SEAL, Water Housing (D13)
8	VOL22195464	HOUSING, Water Pump (D13)
9	N/A	KIT, Pump Installation Includes Screws (5)840010 (6)840011 (1)840012
10	VOL20872497	PULLEY, Fan (12 groove)
11	VOL21415427	GASKET, Water Pump
12	VOL21519562	HOUSING, Thermostat (NSS, see 801170)(D 13)
13	VOL21905526	HOUSING, Thermostat (D13) Includes Housing (1)801171 Seal (1)831022
14	VOL20995158	KIT, Water Pump (D13) Includes Water Pump Kit (1)801131 Housing (1)801152 Screws (6)840011 Seal (1)836011



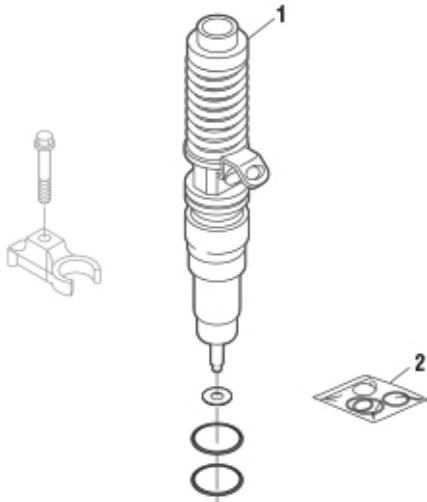
D11 AND D13 SERIES SECTION – DOSER KIT

KEY	OEM REF	DESCRIPTION
1	MAK20887403	GASKET, Fuel
2	MAK20831902	TIE, Cable
3	MAK20824436	ISOLATOR, EGR Thermal
4	MAK20824438	SPACER, Screw
5	MAK20824439	SCREW, Flanged Hex Head (M6 x 1 x 60)
6	MAK85115784	KIT, Doser Includes Cable Tie (1)831048 Isolator (1)131956 Gasket (1)131841 Spacers (2)040098 Screws (2)040144



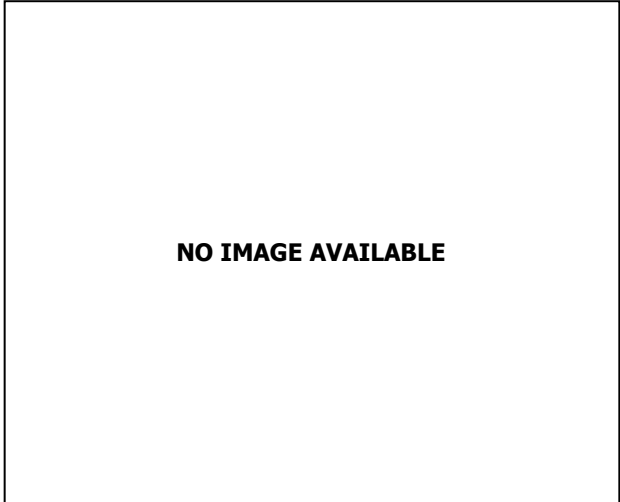
D11 AND D13 SERIES SECTION – FUEL TRANSFER PUMP

KEY	OEM REF	DESCRIPTION
1	VOL20997341	PUMP, Fuel Transfer
2	VOL85103779	COUPLING
3	VOL85103703	O-RING
4	VOL85103780	SCREW, Torax (M6-1 x 60mm)
5	VOL11996	WASHER
5	VOL982724	WASHER, Sealing
6	VOL85118917	KIT, Fuel Pump Includes Pump (1)880830 Coupling (1)801086 O-Ring (1)121195 Screws (3)840009 Washers (4)842050 (4)136120
7	VOL3169582	PUMP, Fuel In-Line



D11 AND D13 SERIES SECTION – INJECTOR ASSEMBLY

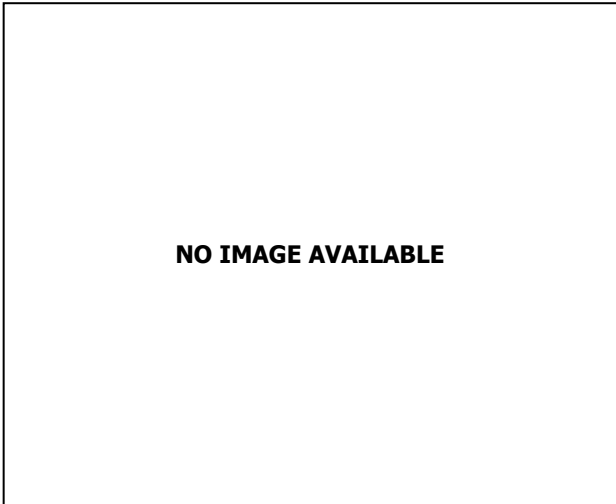
KEY	OEM REF	DESCRIPTION
1	VOL21244717X	ASSEMBLY, Injector (Reman) (D13)
1	VOL21371672X	ASSEMBLY, Injector (Reman) (D13)
2	VOL276948	KIT, Injector O-Ring (D11, D13) Includes O-Rings (1)821025 (1)821026 (1)821027 (1)821028
3	VOL21407621	KIT, DEF Injector (not illustrated)



D11 AND D13 SERIES SECTION – MISCELLANEOUS COMPONENTS

KEY	OEM REF	DESCRIPTION
1	VOL20903074	THERMOSTAT, Oil Filter Pad
2	VOL975670	O-RING, Water Tube
2	VOL976029	O-RING, EGR Tube
2	VOL977004	O-RING, Oil Filter Head
2	VOL976041	O-RING, Oil Pan Fitting
2	VOL20742560	O-RING, Exhaust Fitting
2	VOL944126	O-RING, Oil Pan Plug
2	VOL949656	O-RING, Intake Manifold Fitting
3	VOL3979639	GASKET, EGR
3	VOL20555359	GASKET, Turbo (D12)
3	VOL20817742	GASKET, Timing Cover
3	VOL21298915	GASKET, Thermostat Housing/EGR
3	VOL20707685	GASKET, Oil Tube Pick-up
4	VOL20526428	SEAL, Oil Filter Head
4	VOL21185086	SEAL, Timing Cover
4	VOL20479636	SEAL, Water Tube
4	VOL20852765	SEAL, Washer Fuel Line
5	VOL11996	WASHER, Fitting
5	VOL947281	WASHER, Fitting
5	VOL18665	WASHER, Fitting
6	VOL983472	TIES, Cable
7	VOL8131393	CAGE, Cable Tie Fastener
8	VOL980881	FASTNER, Cable Tie
9	VOL20955220	CLAMP, V-Band
10	VOL1547252	RING, Rectangular
10	VOL21780371	RING, Rectangular
10	VOL1547254	RING, Rectangular
10	VOL1547255	RING, Rectangular (D12)
10	VOL1547248	RING, 'D' Seal (D12)
10	VOL469601	RING, Rectangular (D12)
11	VOL276807	KIT, O-Ring and Gasket (D12) Includes Rings (1)821075 (1)821076 (1)821077 Gaskets (1)131480 (1)EGS-3890-020 (1)EGS-2861

Continued



D11 AND D13 SERIES SECTION – MISCELLANEOUS COMPONENTS

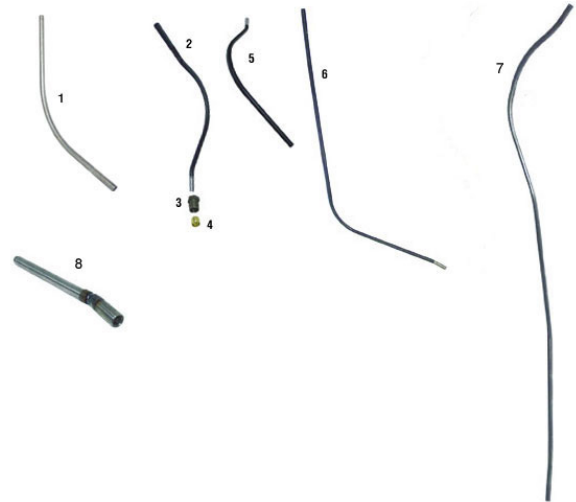
Continued

KEY	OEM REF	DESCRIPTION
11	VOL85116316	KIT, O-Ring and Gasket (D12) Includes Gasket (1)831007 Nuts (4)040062 Screws (6)840018 (7) 840017 Spacer (4)840052 Clamp kits (1)842024 (1)842023
11	VOL85121385	KIT, O-Ring and Gasket (D12) Includes Rings (1)821067 (1)821074 (2)821069 (2)821066 (2)121270 Gaskets (1)831066 (6)831059 (1)831067 (2)831004 (1)831071 (1)831069 (1)831072 (1)831068 (1)831058 O-Rings (1)821039 (1)421235 (12)821026 (2)121416(1)821005 (1)821037 (1)121417 (1)821006 (1)821033 O-Ring kits (6)821020 (1)821019 Cable ties (12)831043 Sealant (1)BSR-0385 Washers (11)842050 (2)842051 Insulators (16)836051 Seals (2)EOS-3305 Valve Seals (24)892040 Connectors (6)854071 Cages (6)836075 Spacer (1)840051 Wire Terminals (24)854070
11	VOL85110459	KIT, O-Ring and Gasket (D12) Includes O-Ring and Gasket kits (1)831073 (1)831074 Cylinder Head Gasket (1)831057 EGR Clamp kit (1)842023



MISCELLANEOUS SECTION – OIL FILLER TUBES, OIL CAPS AND COMPONENTS

KEY	OEM REF	DESCRIPTION
1	MAK56AX284	GASKET
1	MAK56AX447	GASKET
2	MAK477GB3121B	TUBE, Oil Filler (w/o Chain Tie Down Hole) (E6 2VH/4VH)
2	MAK477GB3121BP2	TUBE, Oil Filler (w/ Chain Tie Down Hole) (E6 2VH/4VH)
3	MAK6AX1275	SCREW
4	MAK37AX1	WASHER
5	MAK477GB471	TUBE, Oil Filler (Steel) (E6 4VH/E7/Early E-Tech) (Use EFC-8553 Cap)
6	MAK590GB1362	GASKET (Use w/ EFT-8547 Tube)
7	MAK222GB214	CAP, Oil (2in, w/ Chain)(Bottle Stopper Type) (Used w/ EFT-8548 and EFT-8549 Oil Filler Tube)
7	MAK222GB27A	CAP, Oil (2in, w/o Chain) (Bottle Stopper Type) (Used w/ EFT-8548 and EFT-8549 Oil Filler Tube)
8	MAK7649-AAX1193	CAP, Oil (2in)
9	MAK222GB213	CAP, Oil (1-3/8in) (Current) (Used w/ EFT-8547 and 841220 Oil Filler Tube)
10	MAK590GB1150B	GASKET, Oil Fill (Early)
11	MAK477GB498A	TUBE, Oil Fill (E-Tech, ASET)
12	MAK222GB46M	CAP, Oil
13	MAK222GB49M	CAP, Oil

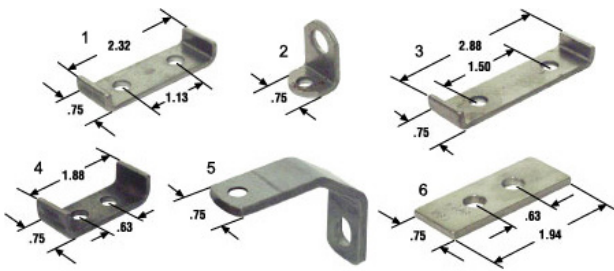


**MISCELLANEOUS SECTION – OIL FILLER COMPONENTS –
DIPSTICKS**

KEY	OEM REF	DESCRIPTION
1	MAK795GB2178P1	DIPSTICK (Use w/ EDG-8869 Guide)
1	MAK795GB2179	DIPSTICK (Use w/ EDG-8863 Guide) (Handle 7-1/8in)
2	MAK795GB373P2	DIPSTICK
2	MAK795GB2212	DIPSTICK
2	MAK795GB2180P8	DIPSTICK
3	MAK795GB29301P3	DIPSTICK
3	MAK795GB2208P4	DIPSTICK
3	MAK795GB371	DIPSTICK
4	MAK795GB363AP8	DIPSTICK (Use w/ EDG-8861 Guide) (MR)
4	MAK795GB363AP7	DIPSTICK
4	MAK795GB363AP3	DIPSTICK (Early CH)
4	MAK795GB370P3	DIPSTICK
4	MAK795GB370P5	DIPSTICK
5	MAK795GB373P7	DIPSTICK
6	MAK795GB377A	DIPSTICK
6	MAK21500925	DIPSTICK (2008-2010 MP 7)

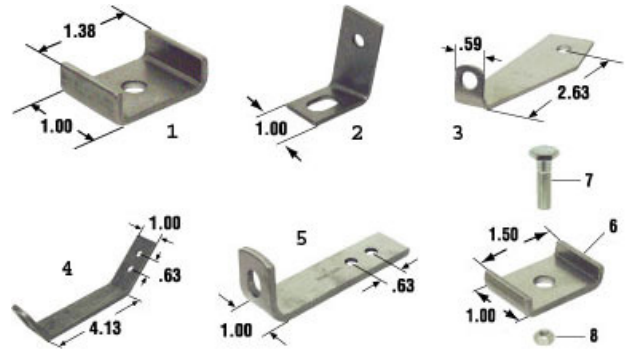
**MISCELLANEOUS SECTION – OIL FILLER COMPONENTS –
GUIDES**

KEY	OEM REF	DESCRIPTION
1	MAK715GB386	GUIDE (Use w/ EDS-8876 Dipstick)
1	MAK715GB331	GUIDE (Use w/ EDS-8872 & EDS-8876 Dipstick)
2	MAK715GB372	GUIDE (Use w/ EDS-8876 Dipstick)
3	MAK32GB161	ADAPTER, Dipstick
4	MAK513GC118	SLEEVE, Compression
5	MAK715GB351	GUIDE (Use w/ EDS-8876 Dipstick)
6	MAK715GB392P2	GUIDE (Use w/ EDS-8871 Dipstick)
6	MAK715GB393	GUIDE (Use w/ EDS-8871 Dipstick)
7	MAK715GB392	GUIDE
7	MAK715GB370	GUIDE
8	MAK715GB24	GUIDE (Use w/ EDS-8873 Dipstick)



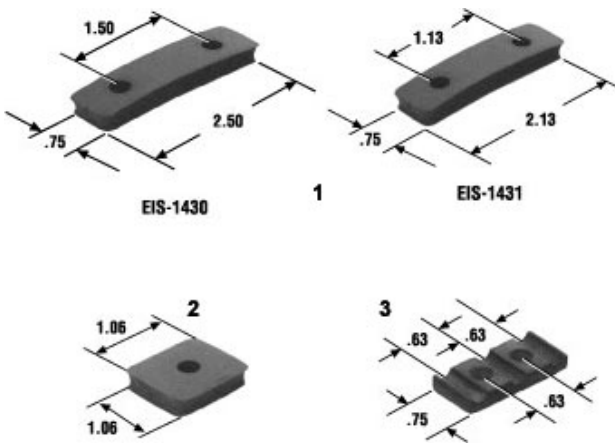
**MISCELLANEOUS SECTION – INJECTION TUBE BRACKETS
– .75 INCH**

KEY	OEM REF	DESCRIPTION
1	MAK253GC1138	BRACKET
2	MAK253GC1243	BRACKET
3	MAK253GC1268	BRACKET
4	MAK180GB244	BRACKET (4VH)
5	MAK253GC2304	BRACKET (4VH)
6	MAK270GB1127	BRACKET (4VH)



**MISCELLANEOUS SECTION – INJECTION TUBE BRACKETS
– 1 INCH**

KEY	OEM REF	DESCRIPTION
1	MAK253GC13	BRACKET
2	MAK253GC2177A	BRACKET
3	MAK253GC1384A	BRACKET
4	MAK253GC2291A	BRACKET (4VH)
5	MAK253GC2316	BRACKET (4VH)
6	MAK253GC1453	BRACKET (4VH)
7	MAK1AX147	SCREW (1/4in-28 x 1-1/4in)
8	MAK21AX799	NUT (1/4in-28)



MISCELLANEOUS SECTION – INJECTION TUBE INSULATORS

KEY	OEM REF	DESCRIPTION
1	MAK41GC114	INSULATOR (Long)
1	MAK41GC16	INSULATOR (Short)
2	MAK270GB14	INSULATOR
3	MAK41GC27	INSULATOR

MISCELLANEOUS SECTION – SENSORS – SENSOR CONNECTORS

KEY	OEM REF	DESCRIPTION
1	CUM3104345	HARNESS, Sensor
2	N/A	HARNESS, Sensor
3	CAT2495294	HARNESS, Wire
4	DDC23513558	HARNESS, Engine Wiring
5	MAK41MR4401BM	HARNESS, Engine Wiring
6	MAK41MR3880M15	HARNESS, Engine Wiring
7	MAK20838672	HARNESS, Wiring (2 Pin / 2 Wire)
8	N/A	ASSEMBLY, Connector (2 Pin / 2 Wire)
9	N/A	ASSEMBLY, Connector (3 Pin / 3 Wire)
10	N/A	ASSEMBLY, Connector (2 Pin / 2 Wire)
11	N/A	ASSEMBLY, Connector (3 Pin / 3 Wire)
12	CUM3056356	ASSEMBLY, Connector (3 Pin / 3 Wire)
13	N/A	ASSEMBLY, Connector (3 Pin / 3 Wire)
14	N/A	ASSEMBLY, Connector (2 Pin / 2 Wire)
15	N/A	ASSEMBLY, Connector (3 Pin / 3 Wire)
16	N/A	ASSEMBLY, Connector (2 Pin / 2 Wire)
17	DDCA0001500320	ASSEMBLY, Connector

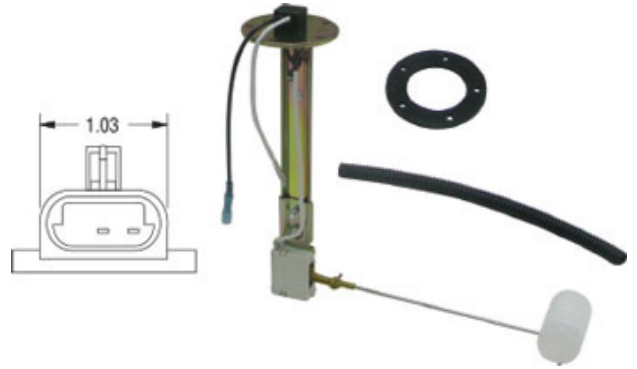


MISCELLANEOUS SECTION – SENSORS – TEMPERATURE SWITCHES

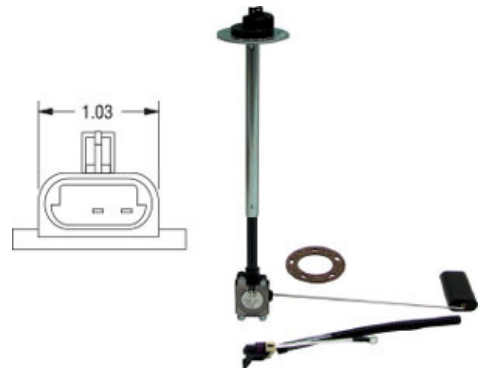
KEY	OEM REF	DESCRIPTION
	MAK3912-993603	SWITCH, Fan Normally Closed 190 deg
	MAK3912-993606	SWITCH, Fan Normally Closed 200 deg
	MAK3912-993607	SWITCH, Fan Normally Closed 205 deg
	MAK3912-993610	SWITCH, Fan Normally Closed 180 deg
	MAK3912-993615	SWITCH, Fan Normally Closed 180 deg
	MAK3912-993616	SWITCH, Fan Normally Closed 185 deg
	MAK3912-993617	SWITCH, Fan Normally Closed 190 deg
	MAK3912-993619	SWITCH, Fan Normally Closed 185 deg
	MAK3912-993653	SWITCH, Fan Normally Closed 195 deg
	MAK3912-993654	SWITCH, Fan Normally Closed 195 deg
	MAK3912-993655	SWITCH, Fan Normally Closed 205 deg

MISCELLANEOUS SECTION – SENSORS – FUEL SENSORS

KEY	OEM REF	DESCRIPTION
	MAK21565469	SENDER, Fuel Level
	MAK16MB416M	SENDER, Fuel Level



KEY	OEM REF	DESCRIPTION
	MAK16MB48DP24	SENDER, Fuel Level

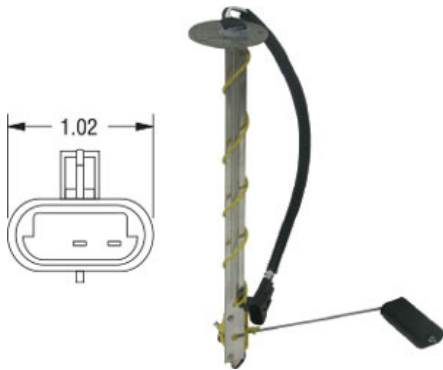


KEY	OEM REF	DESCRIPTION
	MAK16MB48DP4	SENDER, Fuel Level



KEY	OEM REF	DESCRIPTION
	MAK16MB48DP25	SENDER, Fuel Level

MISCELLANEOUS SECTION – SENSORS – FUEL SENSORS



KEY	OEM REF	DESCRIPTION
	MAK16MB419M	SENDER, Fuel Level
	MAK16MB48DP29	SENDER, Fuel Level
	MAK16MB48AP22	SENDER, Fuel Level
	MAK16MB48BP10	SENDER, Fuel Level
	MAK22504865	SENDER, Fuel Level



KEY	OEM REF	DESCRIPTION
	MAK16MB425M2	SENDER, Fuel Level
	MAK16MB421M	SENDER, Fuel Level

MISCELLANEOUS SECTION – SENSORS – WATER SENSORS

KEY	OEM REF	DESCRIPTION
	MAK64MT237	PROBE,Radiator Water Level
	MAK64MT276	PROBE,Radiator Water Level
	MAK64MT436	PROBE,Radiator Water Level
	MAK64MT299M	SENSOR,Coolant Level
	MAK64MT466	SENSOR,Coolant Level
	MAK20838672	ASSEMBLY,Connector (2 Pin/2 Wire)
	MAK20900982	SENSOR,Coolant Level



KEY	OEM REF	DESCRIPTION
	MAK21399626	SENSOR,Coolant Level

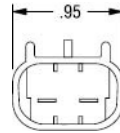


KEY	OEM REF	DESCRIPTION
	MAK64MT482AM	SENSOR,Coolant Level

MISCELLANEOUS SECTION – SENSORS – OIL SENSORS



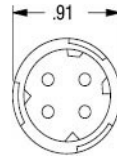
KEY OEM REF DESCRIPTION
MAK1MR3319A SWITCH, Low Oil Pressure



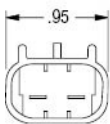
KEY OEM REF DESCRIPTION
MAK64MT442M SWITCH, Oil Level



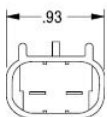
KEY OEM REF DESCRIPTION
MAK64MT298AM KIT, Oil Temperature Sensor



KEY OEM REF DESCRIPTION
MAK21521353 SENSOR, Oil Level and Temperature



KEY OEM REF DESCRIPTION
MAK64MT2112M SENSOR, Oil TEperature



KEY OEM REF DESCRIPTION
MAK64MT2113AM SENSOR, Oil TEperature

MISCELLANEOUS SECTION – SENSORS – NOX SENSORS



KEY	OEM REF	DESCRIPTION
	MAK22014032	SENSOR, NOX



KEY	OEM REF	DESCRIPTION
	MAK21636091	SENSOR, NOX

MISCELLANEOUS SECTION – SENSORS – AIR BRAKE SENSORS



KEY	OEM REF	DESCRIPTION
	NAV2504131C1	SENSOR, Cable Assembly



KEY	OEM REF	DESCRIPTION
	MAK64MT475M	SENSOR, Air Pressure

**MISCELLANEOUS SECTION – SENSORS –
PRESSURE SWITCHES**



KEY OEM REF DESCRIPTION
MAK1MR3583M SWITCH, Pressure



KEY OEM REF DESCRIPTION
MAK1MR2414A SWITCH, Low Pressure
1/4in P.T.
Normally Closed (0 psig)
Opens at 70 psig(CH Model)
Fully adjustable to 5 psig
No Lock-Tite
Clockwise Decrease



KEY OEM REF DESCRIPTION
MAK1MR2339R SWITCH, Low Pressure
1/4in P.T.
Normally Closed (0 psig)
Opens at 70 psig



KEY OEM REF DESCRIPTION
745-280337 SWITCH, Low Pressure
1/4in P.T.
Normally Closed
Opens at 70 psig



KEY OEM REF DESCRIPTION
745-279416 SWITCH, Low Pressure
1/4in P.T.
Normally Closed (0 psig)
Opens at 60 psig



KEY OEM REF DESCRIPTION
MAK1MR2225 SWITCH, Low Pressure
1/8in P.T.
Normally Closed (0 psig)
Opens at 55 psig

**MISCELLANEOUS SECTION – SENSORS –
PRESSURE SWITCHES**



KEY OEM REF
MAK1MR2226

DESCRIPTION
SWITCH, Low Pressure
1/8in P.T. Dual Circuit
(1) Normally Open (0 psig)
(1) Normally Closed (0 psig)
Actuates at 55 psig



KEY OEM REF
MAK1MR2415

DESCRIPTION
SWITCH, Low Pressure
1/4in P.T.
Normally Closed (0 psig)
Opens at 70 psig(CH Model)
Fully adjustable to 5 psig
No Lock-Tite
Clockwise Decrease



KEY OEM REF
745-228750

DESCRIPTION
SWITCH, Low Pressure
1/4in P.T.
Normally Closed (0 psig)
Opens at 66 psig



KEY OEM REF
5396-13241A

DESCRIPTION
SWITCH, Low Pressure
1/8in P.T.
Normally Closed (0 psig)
Opens at 66 psig



KEY OEM REF
745-275083

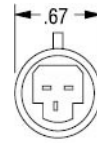
DESCRIPTION
SWITCH, Low Pressure
1/4in P.T.
Normally Closed (0 psig)
Opens at 75 psig(CH Model)

**MISCELLANEOUS SECTION – SENSORS –
 PRESSURE SENSORS**



KEY OEM REF
MAK64MT2114
N/A

DESCRIPTION
SENSOR, Fuel Pressure
ASSEMBLY, Connector
(3 Pin/3 Wire)



KEY OEM REF
MAK64MT2115M

DESCRIPTION
SENSOR, Oil Pressure



KEY OEM REF
MAK20898038

DESCRIPTION
SENSOR, Fuel Pressure



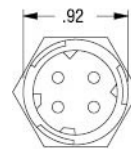
KEY OEM REF
MAK21746206

DESCRIPTION
SENSOR, Oil Pressure



KEY OEM REF
MAK1594228

DESCRIPTION
SENSOR, Oil Temperature



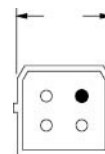
KEY OEM REF
MAK21540602

DESCRIPTION
SENSOR, Oil Pressure



KEY OEM REF
MAK64MT2101
N/A

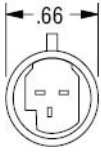
DESCRIPTION
SENSOR, Oil Pressure
ASSEMBLY, Connector
(3 Pin/3 Wire)



KEY OEM REF
MAK3962893

DESCRIPTION
SENSOR, Oil Pressure

**MISCELLANEOUS SECTION – SENSORS –
 PRESSURE SENSORS**



KEY OEM REF DESCRIPTION
MAK64MT475M SENSOR, Air Pressure



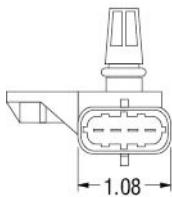
KEY OEM REF DESCRIPTION
MAK20706889 SENSOR, Manifold Pressure



KEY OEM REF DESCRIPTION
MAK21097978 SENSOR, Boost Pressure

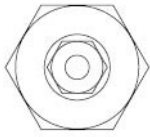


KEY OEM REF DESCRIPTION
MAK20905373 SENSOR, Oil Pressure



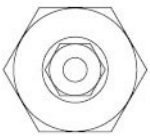
KEY OEM REF DESCRIPTION
MAK64MT480M SENSOR, Boost Pressure

**MISCELLANEOUS SECTION – SENSORS –
 TEMPERATURE SENSORS**



KEY OEM REF
MAK64MT258

DESCRIPTION
SENDER, Water Temperature



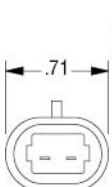
KEY OEM REF
MAK64MT146

DESCRIPTION
SENDER, Oil Temperature



KEY OEM REF
MAK64MT298AM

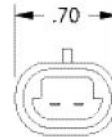
DESCRIPTION
KIT, Oil Temperature Sensor
 Includes Sensor (1)FSU-0560
 Connector (1)FCN-0462
 Terminals (2)FTM-0463
 Seals (2)FCS-0464
 Lock (1)FCL-0465



KEY OEM REF
MAK64MT2103

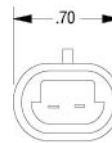
N/A

DESCRIPTION
SENSOR, Water/Fuel Temperature
ASSEMBLY, Connector (2 Pin/2 Wire)



KEY OEM REF
MAK64MT291
N/A

DESCRIPTION
SENSOR, Air Temperature
ASSEMBLY, Connector (2 Pin/2 Wire)



KEY OEM REF
MAK64MT2102

DESCRIPTION
SENSOR, Temperature



KEY OEM REF
MAK64MT338M

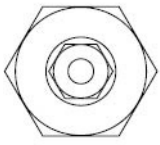
DESCRIPTION
SENDER, Transmitter



KEY OEM REF
MAK64MT324

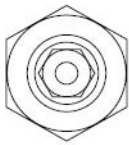
DESCRIPTION
SENDER, Pryometer Transmitter

**MISCELLANEOUS SECTION – SENSORS –
 TEMPERATURE SENSORS**



KEY OEM REF
MAK64MT142A

DESCRIPTION
SENDER, Water Temperature



KEY OEM REF
MAK64MT124A

DESCRIPTION
SENDER, Water Temperature



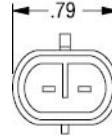
KEY OEM REF
MAK64MT2124M

DESCRIPTION
SENSOR, Oil Temperature



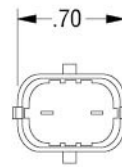
KEY OEM REF
MAK64MT377M

DESCRIPTION
KIT, Sensor
Includes Sensor (1)853708
Harness (1)845061



KEY OEM REF
MAK64MT380AM

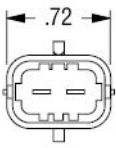
DESCRIPTION
SENSOR, Temperature



KEY OEM REF
MAK20513340

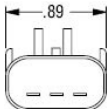
DESCRIPTION
SENSOR, Temperature (MP)

**MISCELLANEOUS SECTION – SENSORS –
MANIFOLD PRESSURE (EGR)**



KEY OEM REF
MAK21010707

DESCRIPTION
SENSOR, EGR



KEY OEM REF
MAK21304786

DESCRIPTION
SENSOR, Manifold Pressure (EGR)

N/A
ASSEMBLY, Connector (3 Pin / 3 Wire)



KEY OEM REF
MAK22181342

DESCRIPTION
SENSOR, EGR.

**MISCELLANEOUS SECTION – SENSORS –
STOP LIGHT SWITCHES**



KEY OEM REF
MAK1MR2328R

DESCRIPTION
SWITCH, Stop Light
1/4in P.T.
Normally Open (0 psig)
Closes at 4 psig



KEY OEM REF
MAK1MR3544P2

DESCRIPTION
SWITCH, Stop Light
1/4in P.T.
Normally Open (0 psig)
Closes at 5 psig



KEY OEM REF
745-228600

DESCRIPTION
SWITCH, Stop Light
1/4in P.T.
Normally Open (0 psig)
Closes at 5 psig

**MISCELLANEOUS SECTION – SENSORS –
STOP LIGHT SWITCHES**



KEY OEM REF
MAK1MR2413A

DESCRIPTION
SWITCH, Stop Light
1/8in P.T.
Normally Open (0 psig)
Closes 4 psig



KEY OEM REF
MAK1MR2247P2

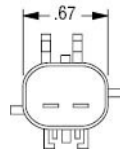
DESCRIPTION
SWITCH, Stop Light
1/4in P.T.
Normally Open (0 psig)
Closes 5 psig



KEY OEM REF
745-287416

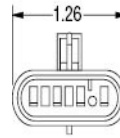
DESCRIPTION
SWITCH, Stop Light
1/4in P.T.
Normally Open (0 psig)
Closes at 5 psig

**MISCELLANEOUS SECTION – SENSORS –
AMBIENT TEMPERATURE SENSORS**



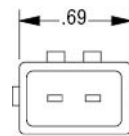
KEY OEM REF
MAK64MT450A

DESCRIPTION
SENSOR, Air Inlet Temperature



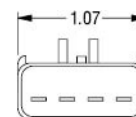
KEY OEM REF
MAK20963779

DESCRIPTION
SENSOR, Air Temperature



KEY OEM REF
MAK64MT2118M

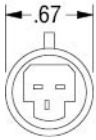
DESCRIPTION
SENSOR, Air Temperature



KEY OEM REF
MAK64MT490M

DESCRIPTION
SENSOR, Air Temperature

**MISCELLANEOUS SECTION – SENSORS –
BOOST SENSORS**



KEY OEM REF
MAK64MT446A
N/A

DESCRIPTION
SENSOR, Pressure Boost
ASSEMBLY, Connector
(3 Pin/3 Wire)



KEY OEM REF
MAK64MT2101

DESCRIPTION
SENSOR, Pressure Boost



KEY OEM REF
MAK64MT2102

DESCRIPTION
SENSOR, Boost



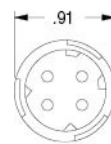
KEY OEM REF
MAK64MT480M

DESCRIPTION
SENSOR, Pressure Boost



KEY OEM REF
MAK64MT467

DESCRIPTION
SENSOR, Boost



KEY OEM REF
MAK20706889

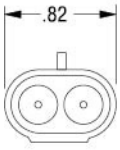
DESCRIPTION
SENSOR, Pressure Boost



KEY OEM REF
MAK64MT2111M

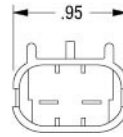
DESCRIPTION
SENSOR, Inlet Manifold Boost
Pressure

**MISCELLANEOUS SECTION – SENSORS – RPM,
TACHOMETER, SPEEDOMETER**



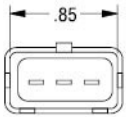
KEY OEM REF
NAV556916C91

DESCRIPTION
SENSOR, Tachometer



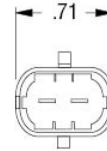
KEY OEM REF
MAK64MT439M

DESCRIPTION
SENSOR, Speedometer



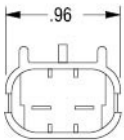
KEY OEM REF
MAK64MT348M

DESCRIPTION
SENSOR, Tachometer



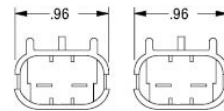
KEY OEM REF
MAK20513343

DESCRIPTION
SENSOR, Tachometer



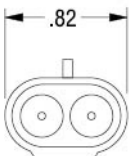
KEY OEM REF
MAK64MT435

DESCRIPTION
SENSOR, Magnetic



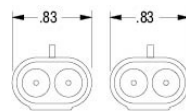
KEY OEM REF
MAK64MT412M

DESCRIPTION
**SENSOR, Electric Speedometer/
Tachometer**



KEY OEM REF
MAK64MT440M

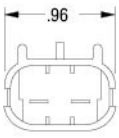
DESCRIPTION
SENSOR, Speedometer



KEY OEM REF
MAK64MT339
N/A

DESCRIPTION
SENSOR, Speedometer
ASSEMBLY, Connector
(2 Pin / 2 Wire)

**MISCELLANEOUS SECTION – SENSORS – RPM,
 TACHOMETER, SPEEDOMETER**



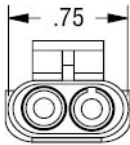
KEY OEM REF
MAK64MT416

DESCRIPTION
SENSOR, Speedometer



KEY OEM REF
VOL21508269

DESCRIPTION
SENSOR, Turbocharger Speed



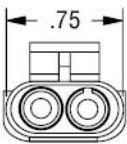
KEY OEM REF
VOL8078108

DESCRIPTION
SENSOR, Speedo/Tachometer



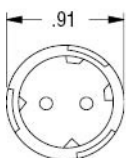
KEY OEM REF
MAK64MT457M

DESCRIPTION
SENSOR, Turbocharger Speed



KEY OEM REF
VOL8029939

DESCRIPTION
SENSOR, Speedo/Tachometer



KEY OEM REF
MAK20508011

DESCRIPTION
SENSOR, Speed/Flywheel

MISCELLANEOUS SECTION – SENSORS – A/C SWITCHES



KEY OEM REF DESCRIPTION
MAK1MR2472M2 SWITCH, Air Conditioner



KEY OEM REF DESCRIPTION
MAK1MR3550M2 SWITCH, Air Conditioner Pressure



KEY OEM REF DESCRIPTION
MAK1MR3550M SWITCH, Air Conditioner Pressure

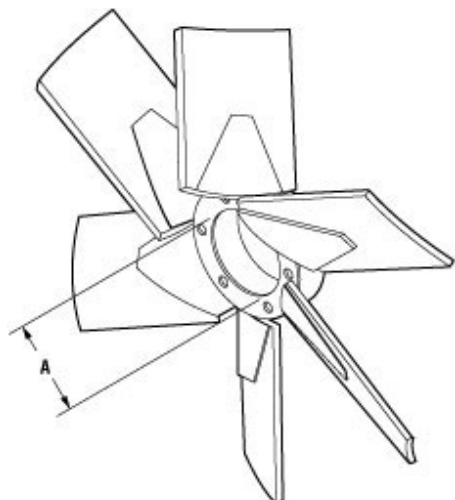


KEY OEM REF DESCRIPTION
MAK1MR2469M SWITCH, Air Conditioner Pressure



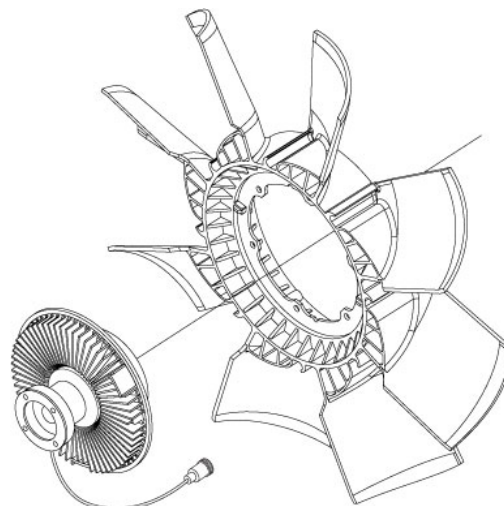
MISCELLANEOUS SECTION – COOLING SYSTEM – FAN CLUTCH

KEY	OEM REF	DESCRIPTION
1	MAK38MH322M2	
1	NAV2601973C1	
1	NAV2602193C1	
1	MAK38MH423AM	
1	NAV2001023C1	
1	MAK7536-167118	
1	MAK7536-197879	
1	MAK7536-187242	
1	MAK38MH416	
1	SCH183125	
1	MAK1MH29305P2	
1	HTN9902002	
1	MAK38MH416P2	
1	MAK38MH414M	
1	MAK38MH414M	
1	MAK38MH315A	
1	NAV3522786C4	
1	NAV3540116C4	
1	NAV3584438C3	
2	MAK40MH441M	FAN, Clutch (Reman)
2	MAK40MH441M	
2	HTN999357	
3	HTN991451	
4	MAK40MH52	FAN, Clutch (Reman)
4	MAK40MH51	
5	MAK38MH425AM	
5	MAK38MH428M	
5	MAK85115602	
5	MAK85115603	
5	MAK85115604	
5	MAK85111561	
5	MAK85111563	
6	MAK4769-10900950001	FAN, Clutch (Reman)
6	NAV2602141C91	



MISCELLANEOUS SECTION – COOLING SYSTEM –
 FAN BLADES

KEY	OEM REF	DESCRIPTION
	MAK2MH414P23	FAN
	MAK2MH414P56	FAN
	MAK2MH414P70	FAN
	MAK2MH48P41	FAN
	CUM3911320	FAN
	MAK2MH414P64	FAN
	MAK2MH48P40	FAN
	MAK2MH460	FAN
	MAK2MH443	FAN
	MAK2MH360M	FAN
	MAK2MH429	FAN
	MAK2MH453	FAN
	MAK2MH365	FAN
	MAK2MH368	FAN
	MAK2MH444	FAN
	NAV1647411C3	FAN
	MAK2MH446	FAN
	MAK2MH445	FAN
	MAK2MH367M	FAN
	MAK85111560	FAN
	NAV1610891C2	FAN
	MAK2MH517M	FAN
	MAK85111558	FAN
	VOL20477428	FAN
	NAV2010884C1	FAN
	VOL3973733	FAN
	NAV2005452C1	FAN
	NAV2022048C1	FAN
	NAV2000729C2	FAN
	NAV3507486C1	FAN
	NAV3507485C1	FAN
	NAV3625639C1	FAN
	MAK2MH29304	FAN
	MAK85111556	FAN



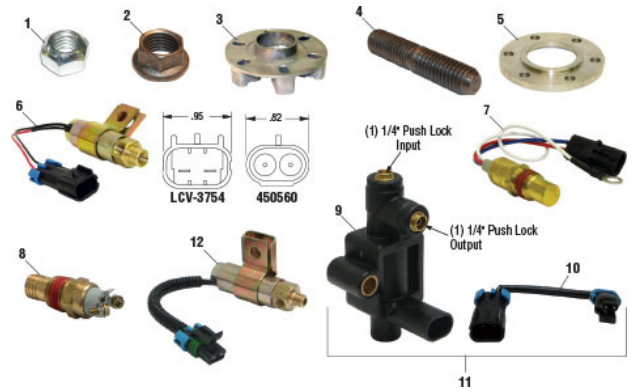
MISCELLANEOUS SECTION – COOLING SYSTEM –
 FAN/CLUTCH ASSEMBLY

KEY	OEM REF	DESCRIPTION
1	MAK43MH59M	ASSEMBLY, Fan/Clutch Includes Fan (1)801124 Fan Clutch (1)801095



**MISCELLANEOUS SECTION – COOLING SYSTEM –
FAN HUB ASSEMBLY**

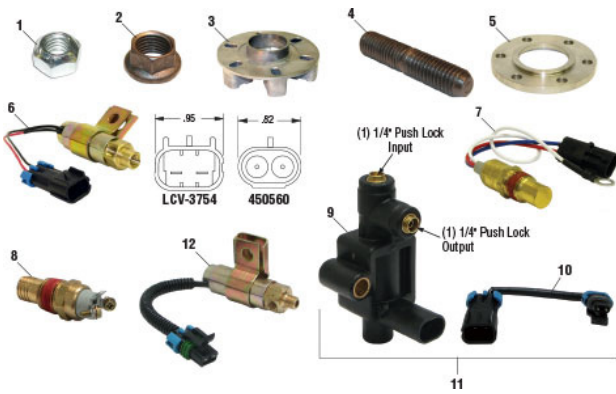
KEY	OEM REF	DESCRIPTION
1	MAK134GB385M	ASSEMBLY, Fan Hub



**MISCELLANEOUS SECTION – COOLING SYSTEM –
FAN CLUTCH COMPONENTS**

KEY	OEM REF	DESCRIPTION
1	CUM142176	NUT, Locking (1-1/8in-12)
1	MAK8235-NL251	NUT, Locking (5/16in-18)
2	MAK21AX856	NUT (3/8in x 24)(E6)
2	MAK191AM2	NUT (M8-1.25) (E7)
3	N/A	ADAPTER (for use w/ Fiberglass Fan)
4	MAK16AX824	STUD, Fan Clutch Mounting (E6) (3/8in-24NF x 1-7/16in)
4	MAK107AM5019	STUD, Fan Clutch Mounting (E7) (M8 x 1.25 x 40)
5	MAK24MH163	SPACER (5/16in thk) (Used w/Fan EFN-8638 to replace Fan EFN-1650)
6	NAV1689785C91	VALVE, Air Solenoid
6	MAK20QE3373	VALVE, Complete Air Solenoid (for Horton) (12V)
7	NAV1684560C92	SWITCH, Fan
8	NAV1685132C92	SWITCH, Fan (1/2in Thread) (N/C 195 deg)
8	MAK3912-993603	SWITCH, Fan (1/2in thread) (N/C 190 deg)
8	MAK3912-993606	SWITCH, Fan (1/2in thread) (N/C 200 deg)
8	MAK3912-993607	SWITCH, Fan (1/2in thread) (N/C 205 deg)
8	MAK3912-993610	SWITCH, Fan (3/8in thread) (N/O 195 deg)
8	MAK3912-993615	SWITCH, Fan (1/2in thread) (N/O 180 deg)
8	MAK3912-993616	SWITCH, Fan (1/2in thread) (N/O 185 deg)
8	MAK3912-993617	SWITCH, Fan (1/2in thread) (N/O 190 deg)

Continued



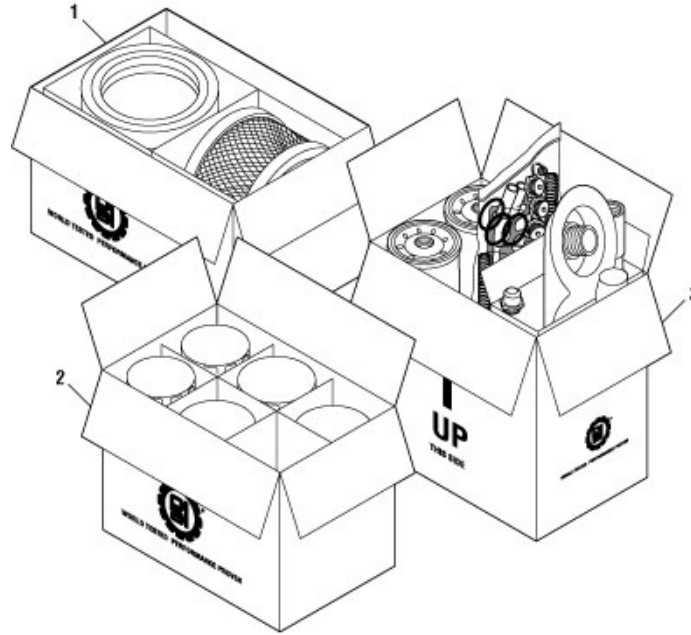
**MISCELLANEOUS SECTION – COOLING SYSTEM –
FAN CLUTCH COMPONENTS**

Continued

KEY	OEM REF	DESCRIPTION
8	MAK3912-993619	SWITCH, Fan (1/2in thread) (N/C 185 deg)
8	MAK3912-993653	SWITCH, Fan (1/2in thread) (N/O 195 deg)
8	MAK3912-993654	SWITCH, Fan (1/2in thread) (N/O 200 deg)
8	MAK3912-993655	SWITCH, Fan (1/2in thread) (N/O 205 deg)
9	MAK9538-5030111	VALVE, Air Solenoid (12 VDC) (2 Pin)(N/C Input)
10	MAK20856026	HARNESS, Solenoid (2 Pin)
11	N/A	KIT, Air Solenoid Includes Valves (1)845050 Harness (1)845051
12	FTLA06-26631-000	VALVE, Air Solenoid (12 VDC) (N/O) (2)1/8in NPTF Female (1)1/8in NPTF Male

**MISCELLANEOUS SECTION – COOLING SYSTEM –
FAN CLUTCH REPAIR KITS**

KEY	OEM REF	DESCRIPTION
1	HTN995033	KIT,Fan Clutch Repair
2	HTN994307	KIT,Fan Clutch Repair (Fits 7.5in S Series)
3	HTN994206	KIT,Fan Clutch Repair
4	HTN994305	KIT,Fan Clutch Repair (Fits 9.5in Fan Clutch)
5	HTN994205	KIT,Fan Clutch Repair (Fits any S & ST Series)
6	HTN994900	KIT,Fan Clutch Repair (Gold Top Post)
7	HTN9908400	KIT,Fan Clutch Repair
7	NAV1681030C91	KIT,Fan Clutch Repair (For 1593 Fan Clutch)
8	HTN9908300	KIT,Fan Clutch
9	HTN994902	KIT,Fan Clutch
10	HTN994346	KIT,Fan Clutch
11	HTN994317	KIT,Fan Clutch Minor Repair (For HT650 Fan Clutch)
12	HTN9908402	KIT,Rear Air Seal
13	HTN995568	KIT,Super Conversion Repair Photo not available at this time.
14	HTN995575	KIT,Super Conversion Repair Photo not available at this time.



MISCELLANEOUS SECTION – FILTERS – FILTER KITS

KEY	OEM REF	DESCRIPTION	KEY	OEM REF	DESCRIPTION
1	MAK215SB194	KIT, Filter Includes Air Filters (1)FAF-4561 (1)FAF-4562	2	MAK215SB210	KIT, Filter (E6 w/o Water Filter) Fuel Filters (1)FFF-4551 (1)FFF-4590 Oil Filters (2)FOF-4570 (1)FOF-4571
2	MAK57GC2120B	KIT, Filter (E6/E7) Water Filter (1)FWF-4520 Fuel Filters (1)FFF-4551 (1)FFF-4590 Oil Filters (2)FOF-4570 (1)FOF-4571	2	MAK215SB325A	KIT, Filter (E7) Includes Fuel Filters (1)FFF-4531 (1)FFF-5532 Oil Filters (2)FOF-5538 (1)FOF-5328
2	MAK57GC2135B	KIT, Filter (E6/E7) Water Filter (1)FWF-4520 Fuel Filters (1)FFF-4550 (1)FFF-4590 Oil Filters (2)FOF-4570 (1)FOF-4571	2	MAK215SB330	KIT, Filter (E7) Includes Fuel Filters (1)FFF-4531 (1)FFF-5329 Oil Filters (2)FOF-5538 (1)FOF-5328
2	MAK57GC2136B	KIT, Filter (E6/E7) Water Filter (1)FWF-4521 Fuel Filters (1)FFF-4550 (1)FFF-4590 Oil Filters (2)FOF-4570 (1)FOF-4571	2	MAK57GC2177	KIT, Filter (E7/E-Tech) Includes Water Filter (1)FWF-4520 Fuel Filters (1)FFF-5531 (1)FFF-5532 Oil Filters (2)FOF-4570 (1)FOF-4571
2	MAK57GC294B	KIT, Filter (E6) Water Filter (1)FWF-4520 Fuel Filters (1)FFF-4550 (1)FFF-4590 Oil Filters (2)FOF-4570	2	MAK215SB294	KIT, Filter (E7/E-Tech w/o Water Filter) Includes Fuel Filters (1)FFF-5531 (1)FFF-5532 Oil Filters (2)FOF-4570 (1)FOF-4571
2	N/A	KIT, Filter (E6 w/o Water Filter) Fuel Filters (1)FFF-4550 (1)FFF-4590 Oil Filters (2)FOF-4570	2	MAK107SB16	KIT, Filter (E7/E-Tech) Includes Fuel Filters (1)FFF-5531 (1)FFF-5532 Oil Filters (2)FOF-4570 (1)FOF-5534
2	MAK57GC295B	KIT, Filter (E6) Water Filter (1)FWF-4521 Fuel Filters (1)FFF-4551 (1)FFF-4590 Oil Filters (3)FOF-4570	2	MAK85114535	KIT, Filter Includes Fuel Filters (1)804097 (1)804099 Oil Filters (2)FOF-4570 (1)804098
2	N/A	KIT, Filter (E6 w/o Water Filter) Fuel Filters (1)FFF-4551 (1)FFF-4590 Oil Filters (3)FOF-4570	3	MAK215SB123	KIT, Filter (MP) Includes Oil Filters (2)FOF-4570 Filter Bracket Assembly (1)EMT-8524 O-Ring (6)EGA-0472 Plunger (1)EPL-3151 Caps (1)ECP-3152 (2)ECP-3153 Spring (1)ESP-3155 Washer (1)EWA-3156 Nut (1)ENU-3355 Gasket (1)EGS-3900-008
2	MAK57GC297	KIT, Filter (E6) Water Filter (1)FWF-4521 Fuel Filters (1)FFF-4551 (1)FFF-4590 Oil Filters (1)FOF-4570 (1)FOF-4571			
2	MAK57GC298	KIT, Filter (E6/E7) Water Filter (1)FWF-4521 Fuel Filters (1)FFF-4551 (1)FFF-4590 Oil Filters (2)FOF-4570 (1)FOF-4571			



MISCELLANEOUS SECTION – FILTERS – FUEL FILTERS AND BRACKETS

KEY	OEM REF	DESCRIPTION
1	MAK32GB160P2	BRACKET, Secondary Fuel Filter
1	MAK32GB258P2	BRACKET, Secondary Fuel Filter
2	MAK32GB39P2	BRACKET, Primary Fuel Filter (Used w/ FFF-5531 Filter)
2	MAK32GB163	BRACKET, Primary Fuel Filter
3	CUM3903640	FILTER, Secondary Fuel
3	NAV672603C3	FILTER, Secondary Fuel (Red)
3	MAK483GB218B	FILTER, Secondary Fuel (Green)
3	MAK483GB431	FILTER, Secondary Fuel (Green)
3	MAK483GB476M	FILTER, Secondary Fuel (Green)
3	MAK483GB471M	FILTER, Secondary Fuel (Green)
4	NAV625627C1	FILTER, Primary Fuel (Red)
4	MAK483GB219A	FILTER, Primary Fuel (Red)
5	CUM3331096	FILTER, Fuel/Water Separator
4	MAK483GB470AM	FILTER, Primary Fuel (Red)
5	CUM3903410	FILTER, Fuel/Water Separator
5	CUM3329289	FILTER, Fuel/Water Separator
5	CUM3308638	FILTER, Fuel/Water Separator
5	MAK483GB465	FILTER, Primary Fuel (w/ Water Separator Drain)
6	MAK301SD19B	FILTER, Fuel
7	NAV1822588C1	FILTER, Final Fuel
8	MAK483GB372M	FILTER, Fuel
9	NAV1825181C91	FILTER, Prescreen Fuel
10	CUM4920586	FILTER, Fuel (Spin-on)
10	CAT1R0750	FILTER, Fuel (Spin-on)
10	DDC23518481	FILTER, Fuel, Primary
10	DDC23518482	FILTER, Fuel, Secondary
10	MAK483GB477M	FILTER, Secondary Fuel
10	MAK20972295	FILTER, Secondary Fuel
11	CUM3315844	FILTER, Fuel
11	CUM3315847	FILTER, Fuel
12	CUM3945213	FILTER, Fuel (ISB)
13	NAV1842638C92	FILTER, Fuel
13	NAV1873917C91	FILTER, Fuel Includes Filter (1)450519 O-Rings (1)421236 (1)421235
14	MAK21380521	FILTER, Primary Fuel
15	NAV1878042C92	KIT, Fuel Filter Includes Filter Kit (1)450527 O-Ring (1)421235
16	NAV1874438C1	FILTER, Fuel (used in 450527)
17	MAK21023285	HOUSING, Fuel Filter (MP 7, MP 8)
18	MAK82269261	FILTER, DEF Filter
19	MAK21516231	FILTER, DEF Filter



MISCELLANEOUS SECTION – FILTERS – OIL FILTERS

KEY	OEM REF	DESCRIPTION
1	CUM3401544	FILTER, Oil
1	CUM4367100	FILTER, Oil
1	NAV1811953C1	FILTER, Oil
1	NAV1833121C1	FILTER, Oil
1	MAK485GB3191C	FILTER, Oil (Spin-On)
2	MAK57GC2134	FILTER, Oil (Centrifugal Type)
2	MAK57GC2187	FILTER, Oil (Centrifugal Type)
3	MAK485GB3236	FILTER (Spin-On)
3	MAK20843764	FILTER, Oil(Bypass)
4	MAK57GC2231	FILTER, Oil (.492in ID Bushing) (Used in EMT-8528)
4	MAK57GC2206	FILTER, Oil Kit (.631in ID Bushing)
5	NAV1842639C92	FILTER, Oil
6	CUM3889310	FILTER, Oil
6	CUM3318853	FILTER, Oil
6	CUM3304232	FILTER, Oil
6	CUM256838	FILTER, Oil
6	CAT1R0716	FILTER, Oil
6	CAT1R0739	FILTER, Oil
6	DDC23527033	FILTER, Oil
6	DDC23518671	FILTER, Oil
7	CUM3932217	FILTER, Oil (ISB)
8	MAK485GB4365M	ASSEMBLY, Oil Filter (ASET)
9	MAK485GB3219D	KIT, Filter (E6/E7) Includes Filter (1)FOF-4571 Canister & Gasket



**MISCELLANEOUS SECTION – FILTERS –
 OIL FILTER ELEMENT**

KEY	OEM REF	DESCRIPTION
1	MAK236GB311A	FILTER, Oil Element
2	MAK343SB87	O-RING, Oil Filter
3	MAK5081-3654	O-RING, Oil Filter



MISCELLANEOUS SECTION – FILTERS – AIR FILTERS

KEY	OEM REF	DESCRIPTION
1	MAK57MD31A	FILTER, Air (Engine)
1	MAK57MD21A	FILTER, Air (Engine)
1	MAK57MD26	FILTER, Air (Engine)
1	MAK57MD33	FILTER, Air (Engine)
1	MAK57MD29301	FILTER, Air (Engine)
1	MAK57MD29305	FILTER, Air (Engine)
1	MAK57MD32	FILTER, Air (Engine)
1	MAK57MD25P2	FILTER, Air (Engine)
2	MAK57MD27	FILTER, Air (Engine)
3	MAK57MD42M	FILTER, Air (Engine) (CH)
4	MAK57MD320M	FILTER, Air (Engine)
5	MAK57MD318	FILTER, Air (Engine)
5	MAK57MD46M	FILTER, Air (Engine)
6	MAK279GB43M	FILTER, Air (Engine) (ASET)
7	MAK57MD24	FILTER, Air(Engine)



MISCELLANEOUS SECTION – FILTERS – WATER FILTERS AND BRACKET

KEY	OEM REF	DESCRIPTION
1	CUM3318201	FILTER, Water/Conditioner (Spin-on)
1	CUM3315115	FILTER, Water/Conditioner (Spin-On)
1	CUM3316053	FILTER, Water/Conditioner (Spin-On)
1	CUM3318318	FILTER, Water/Conditioner (Spin-On)
1	MAK25MF435A	FILTER, Water (Spin-On)
2	CUM3315116	FILTER, Water (Spin-On)
2	DDC23516489	FILTER, Water(Spin-On)
2	MAK25MF436	FILTER, Water (Spin-On)
3	MAK32GB354P2	BRACKET, Coolant
4	MAK32GB415	BRACKET, Coolant (Use w/ FWF-4521 Filter)
5	MAK387GC32	SCREEN, Coolant

MISCELLANEOUS SECTION – BELT TENSIONERS



KEY	OEM REF	DESCRIPTION
1	CUM4987964	TENSIONER, Belt
1	CUM3947574	TENSIONER, Belt
1	CUM3682946	TENSIONER, Belt
1	CUM3400885	TENSIONER, Belt
1	CUM4920105	TENSIONER, Belt
1	CUM4937433	TENSIONER, Belt
1	MAK21422765	TENSIONER, Belt



KEY	OEM REF	DESCRIPTION
2	CUM3935819	TENSIONER, Belt
2	CUM3973822	TENSIONER, Belt
2	CUM4059202	TENSIONER, Belt
2	CUM3936197	TENSIONER, Belt
2	CUM3936201	TENSIONER, Belt
2	CUM3937556	TENSIONER, Belt
2	CUM2891940	TENSIONER, Belt
2	CUM4059203	TENSIONER, Belt
2	CAT1900649	TENSIONER, Belt
2	CAT1352151	TENSIONER, Belt
2	NAV1830033C1	TENSIONER, Belt
2	NAV1687801C91	TENSIONER, Belt
2	NAV1873217C2	TENSIONER, Belt
2	DDC23527565	TENSIONER, Belt
2	FTL01-27846-000	TENSIONER, Belt
2	MAK87GB41A	TENSIONER, Belt

MISCELLANEOUS SECTION – BELT TENSIONERS



KEY	OEM REF	DESCRIPTION
3	CUM5333480	TENSIONER, Belt (Serpentine Belt)
3	CUM3937555	TENSIONER, Belt
3	CUM3936213	TENSIONER, Belt
3	MAK87GB46A	TENSIONER, Belt



KEY	OEM REF	DESCRIPTION
6	MAK20935523	TENSIONER, Belt



KEY	OEM REF	DESCRIPTION
4	CUM4059201	TENSIONER, Belt



KEY	OEM REF	DESCRIPTION
7	VOL21479276	TENSIONER, Belt
7	MAK20860873	TENSIONER, Belt



KEY	OEM REF	DESCRIPTION
5	MAK21454379	TENSIONER, Belt



MISCELLANEOUS SECTION – BELT TENSIONER KITS

KEY	OEM REF	DESCRIPTION
1	MAK21568411	KIT, Belt Tensioner (MP 7) (w/ A/C) Includes Tensioner (1)880878 Belt (1)880866 Screws (2)840001
1	MAK21568412	KIT, Belt Tensioner (MP 7) (w/o A/C) Includes Tensioner (1)880878 Belt (1)880867 Screws (2)840001
1	MAK21568414	KIT, Belt Tensioner (MP 8) Includes Tensioner (1)880878 Belt (1)880868 Screws (2)840001

MISCELLANEOUS SECTION – BELTS

KEY	OEM REF	DESCRIPTION
1	MAK2428-425761	BELT, V Notched (1 Piece)
1	MAK88GB439P376	BELT, V Notched (1 Piece)
1	MAK88GB439P391	BELT, V Notched (1 Piece)
1	CUM178657	BELT, V Notched (1 Piece)
1	MAK88GB439P411	BELT, V Notched (1 Piece)
1	MAK88GB439P421	BELT, V Notched (1 Piece)
1	MAK88GB439P431	BELT, V Notched (1 Piece)
1	MAK88GB439P436	BELT, V Air Conditioner (1 Piece)
1	CUM3058383	BELT, V Notched (1 Piece)
1	MAK88GB439P457	BELT, V Notched (1 Piece)
1	MAK88GB439P462	BELT, V Notched (1 Piece)
1	CAT9L6653	BELT, V Notched (1 Piece)
1	MAK2428-425762	BELT, V Notched (1 Piece)
1	CUM178679	BELT, V Notched (1 Piece)
1	MAK88GB439P491	BELT, V Notched (1 Piece)
1	CUM134809	BELT, V Notched (1 Piece)
1	MAK88GB439P506	BELT, V Notched (1 Piece)
1	MAK88GB439P516	BELT, V Notched (1 Piece)
1	MAK88GB439P532	BELT, V Notched (1 Piece)
1	MAK88GB439P552	BELT, V Notched (1 Piece)
1	CAT4N8216	BELT, V Notched (1 Piece)
1	CAT9L6639	BELT, V Notched (1 Piece)
1	CAT9L6641	BELT, V Notched (1 Piece)
1	MAK88GB439P602	BELT, V Notched (1 Piece)
1	CAT9L6643	BELT, V Notched (1 Piece)
1	CAT4N2531	BELT, V Notched (1 Piece)
1	MAK88GB439P622	BELT, V Notched (1 Piece)
1	CAT9L6645	BELT, V Notched (1 Piece)
1	CAT6N6657	BELT, V Notched (1 Piece)
1	MAK88GB439P642	BELT, V Notched (1 Piece)
1	CAT4N8218	BELT, V Notched (1 Piece)
1	MAK88GB439P652	BELT, V Notched (1 Piece)
1	MAK88GB354P30	BELT, V Power Steering (1 Piece)
1	CAT7S9859	BELT, V Notched (1 Piece)
1	MAK88GB439P662	BELT, V Notched (1 Piece)
1	CAT9L6647	BELT, V Notched (1 Piece)
1	MAK88GB439P672	BELT, V Notched (1 Piece)
1	MAK88GB196	BELT, V Notched (1 Piece)
1	CAT9L6649	BELT, V Notched (1 Piece)
1	CAT6N6654	BELT, V Notched (1 Piece)
1	MAK88GB439P722	BELT, V Notched (1 Piece)
1	CAT4N8277	BELT, V Notched (1 Piece)
1	MAK88GB439P732	BELT, V Notched (1 Piece)

Continued



MISCELLANEOUS SECTION – BELTS

Continued

KEY	OEM REF	DESCRIPTION	KEY	OEM REF	DESCRIPTION
1	CAT6N6650	BELT, V Notched (1 Piece)	6	CUM3911568	BELT, Serpentine (1 Piece)
2	CAT9L6654	SET, V-BELT (2 Piece)	6	MAK88GB458P579	BELT, Serpentine (1 Piece)
2	CAT4N8217	SET, V-BELT (2 Piece)	6	MAK88GB459P585	BELT, Serpentine (1 Piece)
2	CAT9L6640	SET, V-BELT (2 Piece)	6	MAK21556636	BELT, Serpentine (1 Piece)
2	CAT9L6642	SET, V-BELT (2 Piece)	6	CUM3911558	BELT, Serpentine (1 Piece)
2	CAT9L6644	SET, V-BELT (2 Piece)	6	MAK88GB449P605	BELT, Serpentine (1 Piece)
2	CAT4N2532	SET, V-BELT (2 Piece)	6	CUM3911563	BELT, Serpentine (1 Piece)
2	CAT9L6646	SET, V-BELT (2 Piece)	6	CUM3911573	BELT, Serpentine (1 Piece)
2	CAT9L6724	SET, V-BELT (2 Piece)	6	MAK88GB447P615	BELT, Serpentine (1 Piece)
2	CAT7S9860	SET, V-BELT (2 Piece)	6	CUM3911572	BELT, Serpentine (1 Piece)
2	CAT9L6648	SET, V-BELT (2 Piece)	6	MAK21460409	BELT, Serpentine (1 Piece)
2	MAK88GB437P2	SET, V-BELT (2 Piece)	6	MAK88GB457P630	BELT, Serpentine (1 Piece)
2	MAK88GB437	SET, V-BELT (2 Piece)	6	MAK21556637	BELT, Serpentine (1 Piece)
2	MAK88GB354P12	SET, V-BELT (2 Piece)	6	CUM3034946	BELT, Serpentine (1 Piece)
2	CAT9L6650	SET, V-BELT (2 Piece)	6	CUM3911566	BELT, Serpentine (1 Piece)
2	CAT9L6725	SET, V-BELT (2 Piece)	6	MAK20582557	BELT, Serpentine (1 Piece)
3	CAT6N6798	SET, V-BELT (3 Piece)	6	MAK88GB449P655	BELT, Serpentine (1 Piece)
3	CAT6N6656	SET, V-BELT (3 Piece)	6	MAK88GB447P666	BELT, Serpentine (1 Piece)
3	CAT6N6652	SET, V-BELT (3 Piece)	6	MAK88GB459P670	BELT, Serpentine (1 Piece)
3	MAK88GB354P52	SET, V-BELT (3 Piece)	6	CUM3911567	BELT, Serpentine (1 Piece)
3	MAK88GB354P50	SET, V-BELT (3 Piece)	6	MAK88GB458P678	BELT, Serpentine (1 Piece)
3	CAT6N6655	SET, V-BELT (3 Piece)	6	MAK88GB458P687	BELT, Serpentine (1 Piece)
3	CAT4N8278	SET, V-BELT (3 Piece)	6	CUM3911582	BELT, Serpentine (1 Piece)
3	CAT6N6651	SET, V-BELT (3 Piece)	6	CUM3911583	BELT, Serpentine (1 Piece)
4	CAT6N6653	SET, V-Belt (4 Piece)	6	NAV1841559C1	BELT, Serpentine (1 Piece)
5	MAK88GB445P720	BELT, Double V (1 Piece)	6	MAK88GB447P728	BELT, Serpentine (1 Piece)
5	MAK88GB445P730	BELT, Double V (1 Piece)	6	NAV1819391C1	BELT, Serpentine (1 Piece)
6	CUM3037425	BELT, Serpentine (1 Piece)	6	MAK88GB447P732	BELT, Serpentine (1 Piece)
6	CUM206996	BELT, Serpentine (1 Piece)	6	CUM3002203	BELT, Serpentine (1 Piece)
6	CUM3095880	BELT, Serpentine (1 Piece)	6	MAK88GB459P735	BELT, Serpentine (1 Piece)
6	CUM3076492	BELT, Serpentine (1 Piece)	6	MAK88GB459P738	BELT, Serpentine (1 Piece)
6	CUM3063817	BELT, Serpentine (1 Piece)	6	MAK88GB459P746	BELT, Serpentine (1 Piece)
6	CUM217638	BELT, Serpentine (1 Piece)	6	CUM3289659	BELT, Serpentine (1 Piece)
6	CUM3034348	BELT, Serpentine (1 Piece)	6	MAK88GB472P787	BELT, Serpentine (1 Piece)
6	FTL01-24894-004	BELT, Serpentine (1 Piece)	6	MAK88GB459P795	BELT, Serpentine (1 Piece)
6	CUM3911587	BELT, Serpentine (1 Piece)	6	FTL01-29866-094	BELT, Serpentine (1 Piece)
6	MAK88GB458P555	BELT, Serpentine (1 Piece)	6	MAK88GB459P831	BELT, Serpentine (1 Piece)
6	CUM3911560	BELT, Serpentine (1 Piece)	6	MAK88GB459P847	BELT, Serpentine (1 Piece)
6	MAK88GB458P565	BELT, Serpentine (1 Piece)	6	CUM3103836	BELT, Serpentine (1 Piece)
6	CUM3911557	BELT, Serpentine (1 Piece)	6	FTL01-23415-053	BELT, Serpentine (1 Piece)