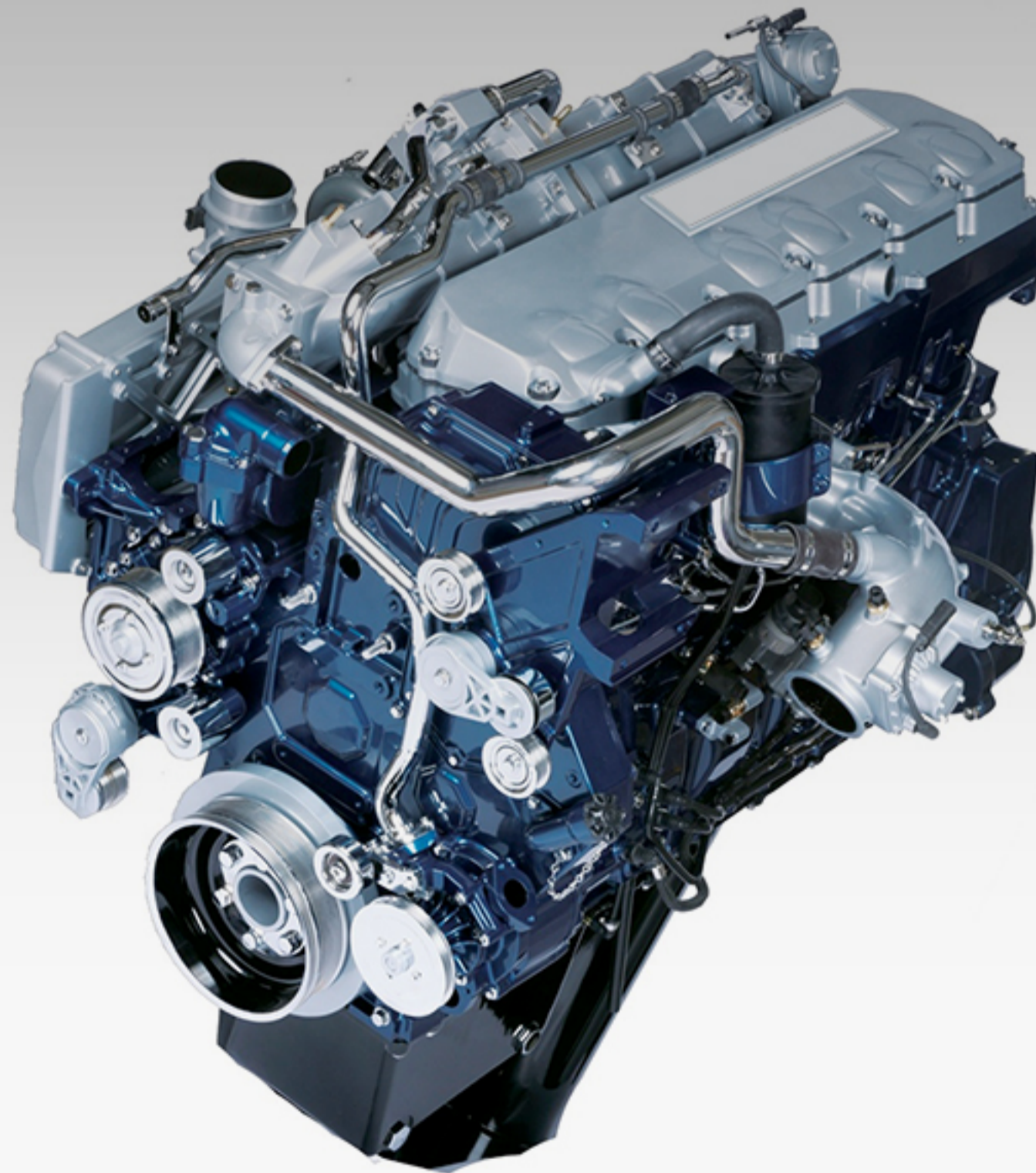




EARTHQUIP

AFFORDABLE HEAVY EQUIPMENT SOLUTIONS

INTERNATIONAL ENGINE PARTS 2017



NEW REPLACEMENT PARTS FOR HEAVY EQUIPMENT

Early DT-466 to 1993 Section

- Cylinder Block Components **1**
- Oil Pan **2**
- Crankshaft **2**
- Pistons, Cylinder Kits, Rod Bearings and Ring Sets **3**
- Camshafts and Components **4**
- Cylinder Head Components **5**
- Water Pump **6**
- Oil Cooler
 - Engine Serial Numbers 517250 and Below **7**
 - Engine Serial Numbers 517251 and Above **8**
- Oil Pump **8**
- Turbochargers **9**
- Gasket Sets **9**
- Miscellaneous Components **10**

DT-466 & 530 1993-1997 PLN Section

- Cylinder Block Components **10**
- Gear Cover and Components **11**
- Oil Pan **11**
- Crankshaft **12**
- Camshaft **12**
- Pistons, Cylinder Kits, Rod Bearings and Ring Sets
 - One Piece Piston **13**
 - Two Piece Piston **14**
- Cylinder Head Components **15**
- Exhaust Manifold **16**
- Water Pump **16**
- Oil Cooler **17**
- Oil Pump **17**
- Fuel Pump **18**
- Turbocharger **18**
- Front & Rear Motor Mounts **19**
- Gasket Sets **19**

DT-466E & 530E 1993-1999 HEUI Section

- Cylinder Block Components **20**
- Gear Covers and Components **20**
- Oil Pan **21**
- Crankshaft **21**
- Camshaft **22**
- Pistons, Cylinder Kits, Rod Bearings and Ring Sets
 - One Piece Piston **22**
 - Two Piece Piston **23**
- Cylinder Head Components **24**
- Exhaust Manifold **25**
- Water Pump **25**
- Oil Cooler and Components – Oil Cooler **26**
- Oil Pump **26**
- Turbocharger **27**
- Fuel Supply Pump **27**
- High Pressure Pump **28**
- Front & Rear Motor Mounts **28**
- Gasket Kits **29**

DT-466E & 530E 2000-2003

- Cylinder Block Components **29**
- Gear Cover and Components **30**
- Oil Pan **30**
- Crankshaft **31**
- Camshaft **31**
- Pistons, Cylinder Kits, Rod Bearings and Ring Sets
 - One Piece Piston **32**
 - Two Piece Piston **33**
- Exhaust Manifold **33**
- Cylinder Head Components **34**
- Water Pump **35**
- Oil Cooler **35**
- Oil Pump **36**
- Turbocharger **36**
- High Pressure Pump **37**
- Front and Rear Motor Mounts **37**
- Gasket Kits **38**

DT-466E & 530E 2004 & Up Section

- Cylinder Block Components **38**
- Gear Cover and Components **39**
- Oil Pan **39**
- Crankshaft **40**
- Camshaft **40**
- Pistons, Cylinder Kits, Rod Bearings and Ring Sets **41**
- Cylinder Head Components **42**
- EGR Cooler Valve **43**
- EGR Valve **43**
- High Pressure Oil Rail **44**
- Water Pump **44**
- Oil Pump **45**
- Oil Cooler **45**
- Turbocharger **46**
- High Pressure Pump **46**
- Front & Rear Motor Mounts **47**
- Fuel Filter Kit **47**
- Gasket Kits **48**

DT-360 Series Section

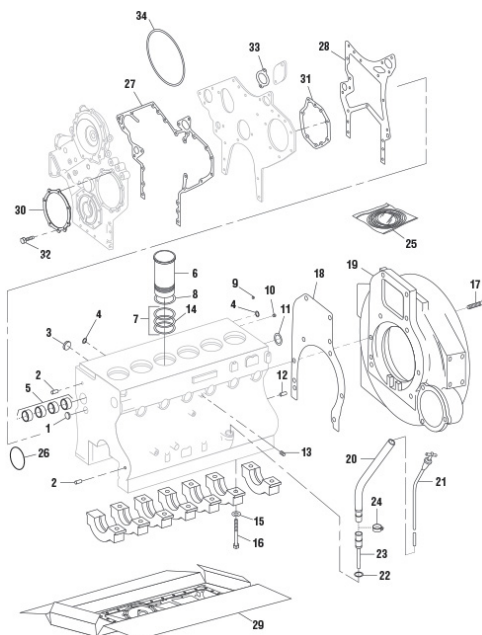
- Crankshaft **48**
- Cylinder Block Components **49**
- Pistons, Cylinder Kits, Rod Bearings and Ring Sets **50**
- Camshafts **51**
- Cylinder Head Components **51**
- Water Pump **52**
- Oil Cooler **52**
- Oil Pump **53**
- Gasket Kits **53**
- Miscellaneous Components **54**

7.3 Series / 444 Section

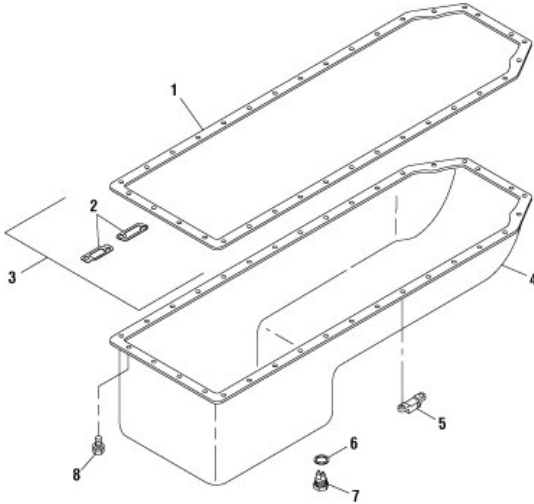
- Oil Pan **54**
- Crankshaft **55**
- Pistons, Cylinder Kits, Rod Bearings and Ring Sets **56**
- Oil Cooler **57**
- Fuel Pump **57**
- Cylinder Head **58**
- Oil Pump **58**
- Water Pump **59**
- Gasket Kits **59**
- Miscellaneous **60**

Miscellaneous Components Section

- Sensors
 - Sensor Connectors **60**
 - ABS Sensors **61**
 - Pressure Switches **61**
 - Brake Lights Sensors **61**
 - Exhaust Manifold Pressure Sensors **61**
 - Cam/Crank Position Sensors **61**
 - Pressure Sensors **62**
 - Temperature Sensors **63**
 - Speed Sensors **64**
 - Boost Pressure Sensors (MAP) **65**
 - Level Sensors **65**
 - Coolant Sensors **66**
- Cooling System
 - Fan Clutches **66**
 - Fan blades **67**
 - Fan Clutch Assembly **67**
 - Fan Hub Assembly **68**
 - Fan Clutch Components **68**
- Filters
 - Fuel Filters and Brackets **69**
 - Oil Filters **70**
 - Oil Filter Element **70**
 - Air Filters **71**
 - Water Filters and Brackets **71**
- Belt Tensioners **72**
- Belts **73**

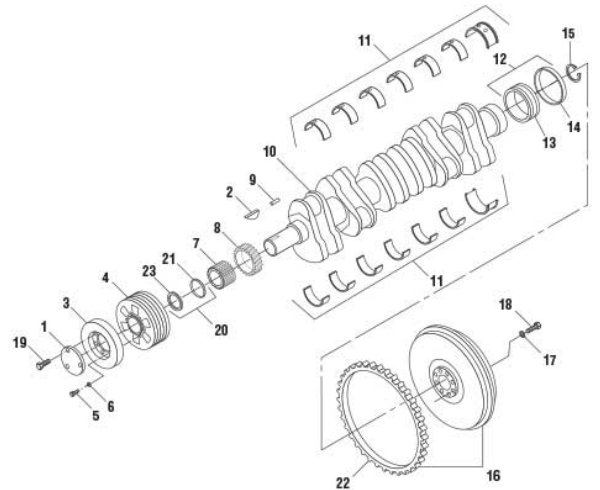

EARLY DT-466 TO 1993 SECTION – CYLINDER BLOCK COMPONENTS

KEY	OEM REF	DESCRIPTION	KEY	OEM REF	DESCRIPTION
1	MAK79AX57X	PLUG, Cup (7/8in Dia.)	20	NAV1819544C1	TUBE, Oil Filler
1	MAK79AX63	PLUG, Cup (13/16in Dia.)	21	NAV691998C1	DIPSTICK (Front Sump)
2	NAV680483C1	DOWEL (3/8in Dia. x 7/8in Lg)	21	NAV691796C1	DIPSTICK (Rear Sump)
3	MAK79AX71	PLUG, Cup (1-1/4in Dia.)	21	NAV1815618C1	DIPSTICK
4	NAV684902C1	BUSHING	21	NAV691945C1	DIPSTICK
5	NAV680117C3	SET, Cam Bearing	21	NAV691648C1	DIPSTICK (3800 Bus)
6	NAV1810504C2	LINER	22	NAV1812559C1	SEAL
7	NAV680086C1	KIT, O-Ring Includes O-Rings (3)BGA-3001	23	NAV691846C1	ADAPTER, Tube
8	N/A	SHIM, Liner (.002in)	24	NAV690835C1	CLAMP
8	N/A	SHIM, Liner (.004in)	25	NAV680333C92	KIT, Shim
8	N/A	SHIM, Liner (.010in)	26	NAV674754C1	O-RING, Injection Pump Housing
8	N/A	SHIM, Liner (.020in)	27	NAV675813C2	GASKET, Timing Cover (For Serial Numbers 532980 & Below)
8	N/A	SHIM, Liner (.032in)	27	NAV1810510C3	GASKET, Timing Cover (For Serial Numbers 567492 & Above)
9	NAV17013R1	BALL	27	NAV677082C3	GASKET, Timing Cover (Cargostar)
10	MAK49AX230	PLUG, Pipe (1/8in)	28	NAV675812C2	GASKET, Block Plate (For Serial Numbers 532981 - 567491)
11	NAV682444C1	RING, Cam Seal	28	NAV1813962C1	GASKET, Block Plate 1 (For Serial Numbers 567492 & Above)
12	NAV680484C1	DOWEL (1/2in Dia. x 1-1/8in Lg)	29	NAV1813933C93	SET, Front Cover Gasket (For Serial Numbers 532981 & above) Includes Gaskets (1)431232 (1)431220 (1)431227 (1)431202 (1)431203 (1)431201 (1)431228 (1)431231 (1)431230 (1)431222 O-Rings (4) EF30160 (2)421201 (1)421202
13	NAV444625	PLUG, Pipe (3/8in NPT)	29	NAV680084C96	SET, Front Cover Gasket (For Serial Numbers 532980 & below) Includes Gaskets (1)431224 (1)431235 (1)431220 (1)431222 (1)431227 (1)431202 (1)431203 (2)431231 (1)431230 (1)431228 (1)431201 O-Rings (4)EF30160 (2)421201 (1)421202 (1)421270
14	MAK56AX396	O-RING	30	NAV675816C2	GASKET, Injector Cover
15	NAV252018R1	WASHER (Use w/ NAV 685187C1 Bolt Only)	31	NAV675609C2	GASKET, Injection Pump Adapter
16	NAV1802582C1	BOLT, Main Bearing Cap (Flanged)	32	NAV26057R1	SCREW (5/16in-18 x 3-1/2in) (GR8)
16	NAV685187C1	BOLT, Main Bearing Cap	33	CUM3558515	GASKET, Hydraulic Pump Cover
17	NAV24864R1	SCREW (1/2in-13 x 1-7/8in Lg)	34	CAT5E8771	O-RING Air Compressor Mounting
18	NAV682945C3	GASKET, Flywheel Housing			
19	NAV686704C4	HOUSING, Flywheel (Except 1853 FC Bus)			
19	NAV1800365C3	HOUSING, Flywheel (For 1853 FC Bus)			
19	NAV1815596C1	HOUSING, Flywheel (For 270 hp)			
20	NAV691944C1	TUBE, Oil Filler			
20	NAV691848C1	TUBE, Oil Filler			
20	NAV1680049C1	TUBE, Oil Filler			
20	NAV691969C1	TUBE, Oil Filler (3800 Bus)			



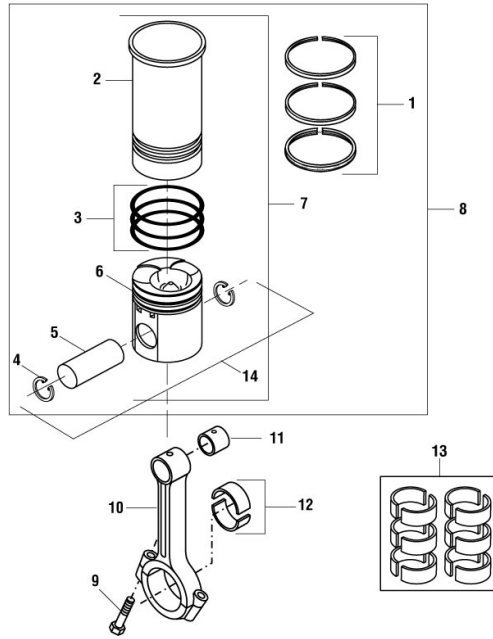
EARLY DT-466 TO 1993 SECTION – OIL PAN

KEY	OEM REF	DESCRIPTION
1	NAV671827C4	GASKET, Oil Pan
2	NAV671821C2	GASKET, Oil Pump Inlet Tube (For Serial Numbers 466775 and Below)
2	NAV1802867C2	GASKET, Oil Pump Inlet Tube (For Serial Numbers 466775 and Above)
3	N/A	KIT, Oil Pan Gasket Includes Gaskets (1)431201 (1)431202 (1)431303
4	NAV1801398C91	PAN, Oil
5	NAV1808957C2	SPACER, Oil Pan Cover
6	NAV59658D	WASHER, Drain Plug
7	NAV113933H	PLUG, Magnetic Drain
8	NAV677490C1	SCREW (w/ Washer)



EARLY DT-466 TO 1993 SECTION – CRANKSHAFT

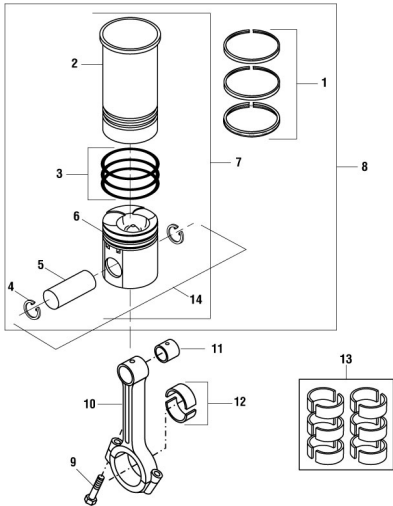
KEY	OEM REF	DESCRIPTION
1	NAV675412C1	PLATE
1	NAV1815437C1	PLATE
2	NAV691044C1	KEY, Woodruff (5/16in x 1in)
3	NAV1808800C1	DAMPER
3	NAV1810746C92	DAMPER
3	NAV1815437C1	DAMPER
3	NAV677781C91	DAMPER (DT/DTA-466B and DTA-466C)
4	NAV681761C91	PULLEY (3 Groove)
4	NAV689421C92	PULLEY (4 Groove)
4	NAV1810392C91	PULLEY (3 Groove)
4	NAV1802393C93	PULLEY (4 Groove)
4	NAV1810746C92	PULLEY (3 Groove)
5	MAK419GC114	SCREW (3/8in-16 x 1-1/4in Lg)
6	ROK1229-K-1597	WASHER (3/8in Flat)
7	NAV675364C1	HUB, Oil Pump Drive
8	NAV675406C1	GEAR, Crankshaft
9	NAV17135R1	PIN, Roll, Timing Gear Locator (5/32in Dia. x 5/16in Lg)
10	NAV675669C92	CRANKSHAFT (Does not include Hub, Gear or Pin)
11	NAV1823847C91	KIT, Main Bearing (STD) (Narrow)
11	NAV1823848C91	KIT, Main Bearing (.010in) (Narrow)
11	NAV1823849C91	KIT, Main Bearing (.020in) (Narrow)
11	NAV1823850C91	KIT, Main Bearing (.030in) (Narrow)
11	NAV1823843C91	KIT, Main Bearing (STD) (Wide)
11	NAV1823844C91	KIT, Main Bearing (.010in) (Wide)
11	NAV1823845C91	KIT, Main Bearing (.020in) (Wide)
11	NAV1823846C91	KIT, Main Bearing (.030in) (Wide)
12	NAV1809964C92	KIT, Seal (Rear) (w/ thick Wear Ring)
13	MAK1458-99499	RING, Wear (Thin)(Use w/ 436001)
14	NAV180847C1	SEAL (Use with BRG-3805 or w/o Wear Ring)
15	NAV641207R1	RING, Retaining
15	NAV456736R1	RING, Retaining
16	NAV1819891C91	ASSEMBLY, Flywheel (13in Dia.) (Single Disc)
16	NAV678520C93	ASSEMBLY, Flywheel (14in Dia.) (Double Disc)
16	NAV1810855C93	ASSEMBLY, Flywheel w/138 Tooth RING Gear (14in Dia.) (Single Disc)
17	MAK37AX302	WASHER
18	FULX-7-810	SCREW (1/2in -20 x 2in Lg)
18	NAV25277R1	SCREW
19	NAV24862R1	SCREW (1/2in-13 x 1-1/2in Lg)
20	NAV690437C93	KIT, Front Seal Includes Seal (1)436006 Wear Rings (1)ERG-3769 (1)436050
21	NAV1827174C1	RING, Wear (.775in wide)
21	NAV675861C2	RING, Wear (.687in wide)
22	NAV1815440C1	GEAR, Ring (Used w/ 460045 Flywheel Assembly 138 Teeth)
23	NAV1806380C91	SEAL, Front (NSS - Sold in Kit 436005)



EARLY DT-466 TO 1993 SECTION – PISTONS, CYLINDER KITS, ROD BEARINGS AND RING SETS

KEY	OEM REF	DESCRIPTION	KEY	OEM REF	DESCRIPTION
1	NAV1810358C94	SET, Ring (3 Ring Design) (For Serial Numbers 76441 - 618492)	8	NAV1817645C94	KIT, Cylinder (3 Ring Design) Includes Piston (1)410001 Pin (1)410002 Retainers (2)410004 Liner (1)400005 O-Ring Kit (1)421200 Ring Set (1)405005
1	NAV1817247C93	SET, Ring (3 Ring Design) (For Serial Numbers 618496 & Above)	8	N/A	KIT, Cylinder (4 Ring Design) (Use to Service NAV 1802581C95 in Set of 6) Includes Piston (1)410005 Pin (1)410002 Retainers (2)410004 Liner (1)400005 O-Ring Kit (1)421200 Ring Set (1)405010
1	N/A	SET, Ring (4 Ring Design) (For Piston 410005)	9	NAV676679C2	SCREW, Connecting Rod
2	NAV1810504C2	LINER (DT-466)	10	NAV688923C91	ROD, Connecting
3	NAV680086C1	KIT, O-Ring Includes O-Rings (3)BGA-3001	11	NAV675006C2	BUSHING, Pin
4	NAV326874R1	RETAINER, Piston Pin	12	NAV681314C3	BEARING, Rod (STD) (Narrow) (For Serial Numbers 439618 & Below)
5	NAV670675C1	PIN, Piston	12	NAV681315C3	BEARING, Rod (.010in) (Narrow) (For Serial Numbers 439618 & Below)
6	NAV1817179C1	PISTON (For Serial Numbers 618496 & Above) (Does Not Apply to Codes 12NCX & 12NYC)	12	NAV687382C3	BEARING, Rod (.020in) (Narrow) (For Serial Numbers 439618 & Below)
6	NAV1817520C2	PISTON (3 Ring Design) (For Serial Numbers 618496 & Above) (Applies to Codes 12NCX & 12NYC) (Use to Service NAV 1809683C2 in Set of 6)	12	NAV681316C3	BEARING, Rod (.030in) (Narrow) (For Serial Numbers 439618 & Below)
6	N/A	PISTON (4 Ring Design)	12	NAV1808059C92	BEARING, Rod (STD) (Wide) (For Serial Numbers 439619 & Above)
6	NAV1817188C1	PISTON (3 Ring)(Dina)	12	NAV1808060C92	BEARING, Rod (.010in) (Wide) (For Serial Numbers 439619 & Above)
7	NAV1817339C91	KIT, Cylinder (w/o Rings) (Dina) Includes Piston (1)410006 Pin (1)410002 Retainers (2)410004 Liner (1)400005 O-Ring Kit (1)421200	12	NAV1808061C92	BEARING, Rod (.020in) (Wide) (For Serial Numbers 439619 & Above)
7	NAV1817646C92	KIT, Cylinder (w/o Rings) Includes Piston (1)410001 Pin (1)410002 Retainers (2)410004 Liner (1)400005 O-Ring Kit (1)421200	12	NAV1808062C92	BEARING, Rod (.030in) (Wide) (For Serial Numbers 439619 & Above)
8	NAV1817189C93	KIT, Cylinder (3 Ring Design) (Dina) Includes Piston (1)410006 Pin (1)410002 Retainers (2)410004 Liner (1)400005 O-Ring Kit (1)421200 Ring Set (1)405005	13	NAV1823855C91	KIT, Rod Bearing (STD) Includes Rod Bearings (6)470060
			13	NAV1823856C91	KIT, Rod Bearing (.010in) Includes Rod Bearings (6)470061
			13	NAV1823857C91	KIT, Rod Bearing (.020in) Includes Rod Bearings (6)470062

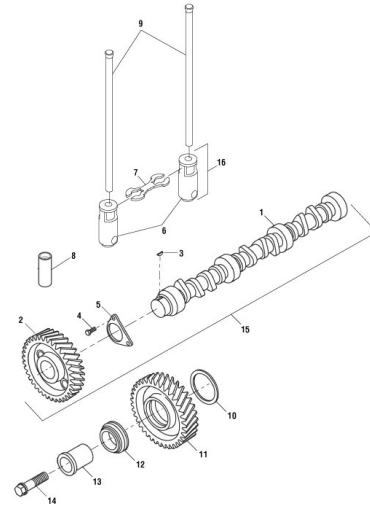
Continued



EARLY DT-466 TO 1993 SECTION – PISTONS, CYLINDER KITS, ROD BEARINGS AND RING SETS

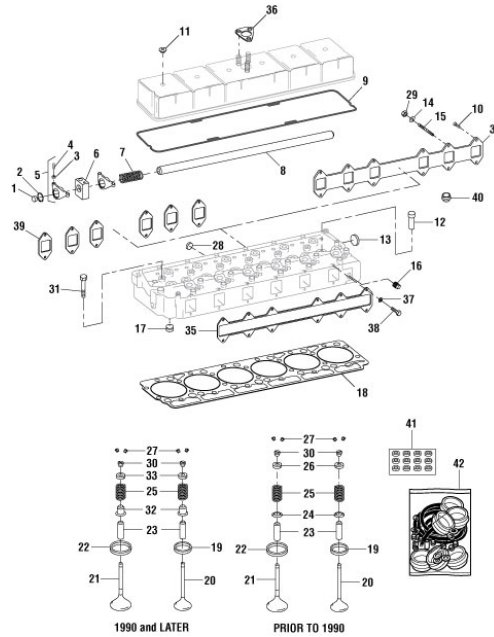
Continued

KEY	OEM REF	DESCRIPTION
13	NAV1823858C91	KIT, Rod Bearing (.030in) Includes Rod Bearings (6)470063
13	NAV1823851C91	KIT, Rod Bearing (STD) Includes Rod Bearings (6)470065
13	NAV1823852C91	KIT, Rod Bearing (.010in) Includes Rod Bearings (6)470066
13	NAV1823853C91	KIT, Rod Bearing (.020in) Includes Rod Bearings (6)470067
13	NAV1823854C91	KIT, Rod Bearing (.030in) Includes Rod Bearings (6)470068
14	N/A	KIT, Piston (3 Ring Design Piston) Includes Piston (1)410001 Pin (1)410002 Retainers (2)410004
14	N/A	KIT, Piston (4 Ring Design Piston) Includes Piston (1)410005 Pin (1)410002 Retainers (2)410004
14	N/A	KIT, Piston (3 Ring Design) Includes Piston (1)410006 Pin (1)410002 Retainers (2)410004



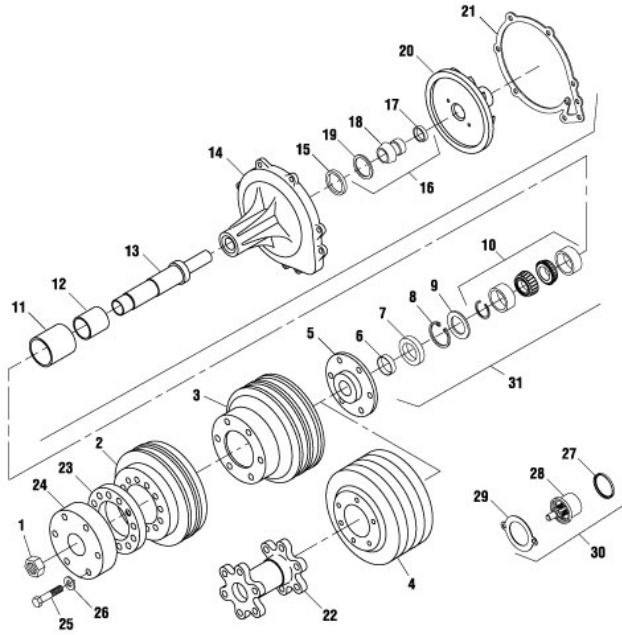
EARLY DT-466 TO 1993 SECTION – CAMSHAFTS AND COMPONENTS

KEY	OEM REF	DESCRIPTION
1	NAV1802505C1	CAMSHAFT (Flat Tappet)
1	NAV1810744C1	CAMSHAFT (Roller Lifter)
2	NAV675600C1	GEAR, Camshaft
3	MAK745-232013	KEY, Woodruff
4	NAV9409011	SCREW (5/16in-18 x 3/4in Lg)
5	NAV676144C2	PLATE, Thrust
6	NAV1809570C1	LIFTER, Roller
7	NAV1811580C1	GUIDE, Roller Lifter (For Serial Numbers 532981 - 618495)
7	NAV1813892C1	GUIDE, Roller Lifter (For Serial Numbers 618496 & Above)
8	NAV911776R3	LIFTER, Flat (Tappet) (1in OD) (For Serial Numbers 140086 & Below)
8	NAV1802340C1	LIFTER, Flat (Tappet) (1-1/8in OD) (w/o Improved Pkg) (For Serial Numbers 140087 - 532980)
8	NAV259070C92	LIFTER, Flat (Tappet) (w/ Improved Pkg) (For Serial Numbers 140087 - 532980)
9	NAV1802507C1	PUSHROD (9-5/8in) (Flat Tappet)(w/ Improved Pkg)
9	NAV1809589C1	PUSHROD (10-5/8in) (Roller Lifter) (w/ Improved Pkg) (For Serial Numbers 532981 & Above)
9	NAV675621C1	PUSHROD (11-9/16in) (Flat Tappet)(w/o Improved Pkg) (For Serial Numbers 532980 & Below)
10	NAV675767C1	SPACER
11	NAV675764C1	GEAR, Idler
12	NAV327185R91	ASSEMBLY, Bearing
13	NAV675765C1	SHAFT, Idler
14	NAV26044R1	SCREW
15	NAV1802338C91	KIT, Camshaft (Flat Tappet) Includes Camshaft (1)490010 Gear (1)480006 Plate (1)480020 Key (1)DKY-3200
15	NAV1811649C91	KIT, Camshaft (Roller Lifter) Includes Camshaft (1)490011 Gear (1)480006 Plate (1)480020 Key (1)DKY-3200
16	NAV1894236C91	KIT, Lifter Includes Lifter (12) 490063 Lifter Guide (12) 490041



EARLY DT-466 TO 1993 SECTION – CYLINDER HEAD COMPONENTS

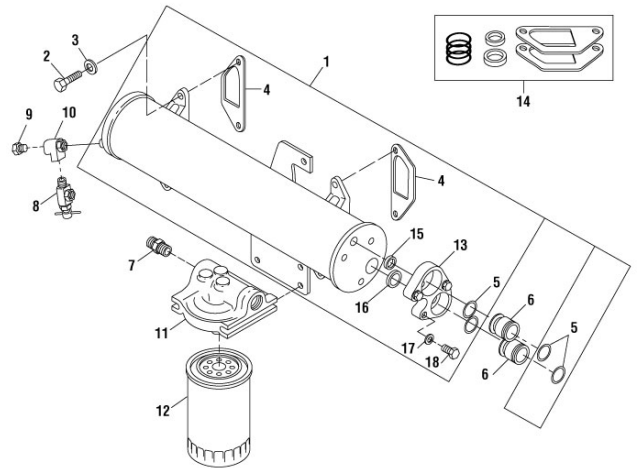
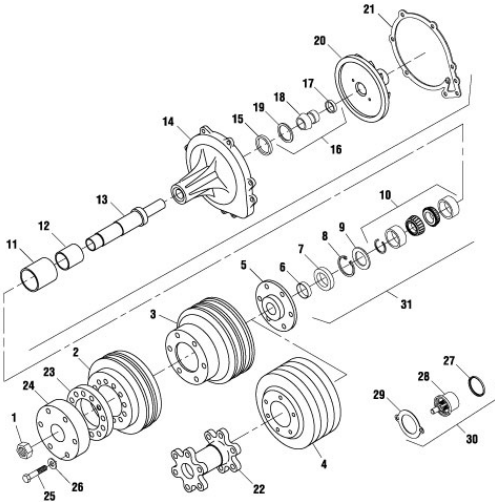
KEY	OEM REF	DESCRIPTION	KEY	OEM REF	DESCRIPTION
1	NAV291171C1	PLUG, Cup (9/16in Dia.)	26	NAV1811581C91	ROTATOR (For Serial Numbers 594839 & Below) Includes Bushings
2	NAV24577R1	RING, Retaining	27	MAK54GC25	LOCK, Valve
3	NAV133093R1	NUT, Rocker Arm Adjusting	28	CUM175830	PLUG, Cup (1-1/8in Dia)
4	NAV16067DA	SCREW, Rocker Arm Adjusting	29	NAV682987C1	NUT (7/16in-20) (For Serial Numbers 571741 & Below)
5	NAV688999C92	ASSEMBLY, Rocker Arm Includes (12)each Nuts and Adjusting Screws	30	NAV1818446C1	BUSHING, Rotator (For Serial Numbers 626213 & Above)
6	NAV1802461C2	BRACKET, Shaft,Rocker Arm	31	NAV676119C1	BOLT, Cylinder Head (Long - 8-7/8in Lg) (6 req'd)
6	NAV1802462C2	BRACKET, Shaft,Rocker Arm	31	NAV676120C1	BOLT, Cylinder Head (Short - 6-1/2in Lg) (20 req'd)
7	NAV675105C1	SPRING	32	NAV1815374C1	SEAL, Valve Stem
8	NAV675660C92	ASSEMBLY, Shaft Includes Plugs	33	NAV1817661C92	ROTATOR (For Serial Numbers 594840 & Above)
9	NAV675109C3	GASKET, Valve Cover	34	NAV1809784C1	GASKET, Exhaust Manifold (One Piece)
10	MAK6AX1360X	SCREW, Exhaust Manifold (7/16in-14 x 1-1/2in Lg) (For Serial Numbers 571742 & Above)	35	NAV682199C2	GASKET, Intake Manifold
11	NAV677692C2	GROMMET, Valve Cover	36	NAV673973C4	GASKET, Breather
12	NAV675442C1	SLEEVE, Injector	37	MAK37AX421	WASHER
13	MAK79AX60Z	PLUG, Cup (1-1/2in Dia.)	38	NAV26679R1	SCREW (5/16in-18 x 1-1/4in Lg)
14	MAK35AX1361U	WASHER	38	NAV27430R1	SCREW (5/16in-18 x 2in Lg)
15	NAV682840C1	STUD, Exhaust Manifold (7/16in-20 x 7/16in-14 x 2-1/4in Lg) (For Serial Numbers 571741 & Below)	39	NAV688928C2	GASKET, Exhaust Manifold (Individual) (6 req'd)
16	MAK63AX115	PLUG, Pipe (3/4 NPT)	40	NAV682810C1	GROMMET, Injector
17	NAV691183C1	DIRECTOR, Water	41	NAV1818509C92	KIT, Bushing (Rotator) (For Serial Numbers 626213 & Above) Includes Bushings (12)431219
18	NAV1819547C1	GASKET, Cylinder Head	42	N/A	SET, Injector Installation Includes Hoses (4)421020 Cap (1)442025 Clamps (13)442120 Gaskets (6)431214 Grommets (6)431216
19	NAV671563C3	SEAT, Exhaust Valve (+.002)			
19	NAV671565C3	SEAT, Exhaust Valve (+.015)			
20	NAV676865C4	VALVE, Exhaust			
21	NAV675046C4	VALVE, Intake			
22	NAV671559C1	SEAT, Intake Valve (+.002)			
22	NAV671561C1	SEAT, Intake Valve (+.015)			
23	NAV1815264C1	GUIDE, Valve (Finished)			
24	NAV675443C1	SEAT, Valve Spring			
25	NAV677349C1	SPRING, Valve (For Serial Numbers 532981 & Above)			
25	NAV682064C1	SPRING, Valve (For Serial Numbers 532980 & Below)			



EARLY DT-466 TO 1993 SECTION – WATER PUMP

KEY	OEM REF	DESCRIPTION	KEY	OEM REF	DESCRIPTION
1	NAV691342C1	NUT (3/4in-16) (For Serial Numbers 638216 & Below)	14	NAV1802250C91	HOUSING,Water Pump (For Serial Numbers 594840 & Above Except for FC Bus)
1	NAV1815536C1	NUT (For Serial Numbers 638217 & Above)	15	NAV1806267C91	SEAL,Water Pump Bearing
2	NAV1809704C1	PULLEY (2 Groove) (For Serial Numbers 532981 - 618495)	16	NAV687161C92	KIT,Seal (For Serial Numbers 498786 & Below)
2	NAV1819246C1	PULLEY (2 Groove) (For Serial Numbers 618496 & Above)	16	NAV1810505C92	KIT,Seal (For Serial Numbers 498787 & Above)
2	NAV1817683C1	PULLEY (1 Groove)	17	NAV688871C1	SEAL (Used in NAV 687161C92 Seal Kit)
3	NAV1809702C1	PULLEY (For Serial Numbers 532981 & Above)	17	NAV1816561C91	SEAL,Assembly (Used in NAV 1810505C92 Seal Kit)
4	NAV683511C1	PULLEY (Cargostar)	18	NAV687645C92	SEAL (Used in NAV 687161C92 Seal Kit)
4	NAV689344C1	PULLEY(Paystar/S Series) (For Serial Numbers 532980 & Below) (Does not apply to DTA-466C)	18	NAV1804462C91	SEAL (Used in NAV 1810505C92 Seal Kit)
4	NAV1808474C1	PULLEY(1/1 Ratio)(DTA 466C)	19	NAV1802812C1	O-RING (Used in NAV 687161C92 & NAV 1810505C92 Seal Kits)
4	NAV1810082C1	PULLEY(1.2/1 Ratio)(DTA 466C)	20	NAV682226C1	IMPELLER(7 Vane)
4	NAV1810785C1	PULLEY(1.2/1 Ratio)(S Series) (For Serial Numbers 532981 & Above)	20	NAV1802248C1	IMPELLER(8 Vane)
5	NAV685157C1	HUB (For Serial Numbers 638217 & Below)	21	NAV676988C2	GASKET,Water Pump Housing (Cargostar)
5	NAV1815629C1	HUB (For Serial Numbers 638217 & Above)	21	NAV675808C2	GASKET,Water Pump Housing (Paystar/S Series) (For Serial Numbers 567492 & Above)
6	NAV673308C2	SLEEVE	22	NAV683523C1	SPACER,Fan(Paystar)
7	NAV1806268C91	SEAL,Water Pump	23	NAV1812879C2	SPACER (For Serial Numbers 532981 & Above Except for FC Bus)
8	NAV272842R1	RING,Retaining	23	NAV1815612C2	SPACER (FC Bus) (For Serial Numbers 532981 & Above)
9	NAV677715C1	SPACER	24	NAV1815613C2	SPACER
10	NAV677148C91	ASSEMBLY,Bearing	25	MAK6AX1309X	SCREW(3/8in-16 x 1-1/2in Lg) (Grade 8)
11	NAV677141C1	SPACER,Outer	26	NAV25896R1	WASHER(3/8in ID)
12	NAV385152C1	SPACER,Inner	27	NAV615175C91	SEAL,Thermostat
13	NAV685153C2	SHAFT (For Serial Numbers 642459 & Below)	28	NAV687018C2	THERMOSTAT
13	NAV1815537C1	SHAFT (For Serial Numbers 642460 & Above)			
14	NAV677856C3	HOUSING,Water Pump (For Serial Numbers 143536 - 567491 Except for CargoStar) (For Serial Numbers 567492 - 594839) (For Serial Numbers 594840 & Above for F.C. Bus)			

Continued



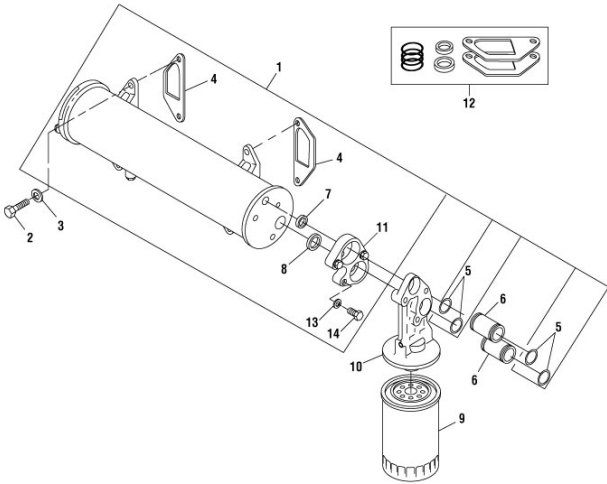
EARLY DT-466 TO 1993 SECTION – WATER PUMP

Continued

KEY	OEM REF	DESCRIPTION
29	NAV675384C2	GASKET, Thermostat
30	NAV1801191C91	KIT, Thermostat (Non-vented) Includes Thermostat (1)481831 Gasket (1)431213 Seal (1)436011
31	NAV685155C93	ASSEMBLY, Pump, Water (Paystar/S Series) (For Serial Numbers 642459 & Below)
31	NAV680899C93	ASSEMBLY, Pump, Water (Cargostar) (For Serial Numbers 143536 - 567491)
31	NAV1815538C91	ASSEMBLY, Water Pump (For Serial Numbers 642460 & Above) (Does not apply to LPE Engines)
31	NAV673162C94	ASSEMBLY, Water Pump (Agricultural)

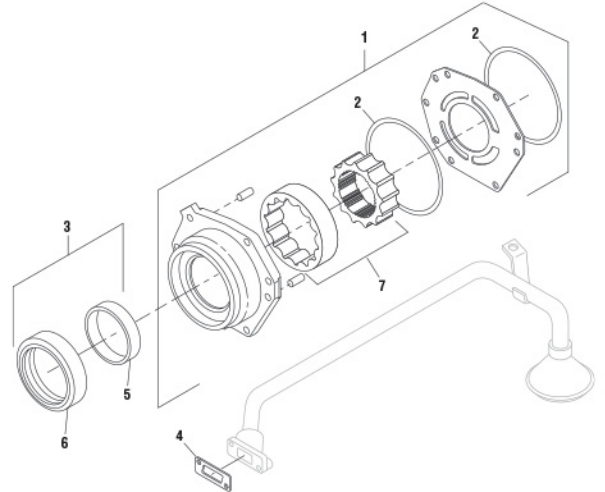
**EARLY DT-466 TO 1993 SECTION – OIL COOLER,
ENGINE SERIAL NUMBERS 517250 AND BELOW –
WATER FILTERS, OIL COOLER AND COMPONENTS**

KEY	OEM REF	DESCRIPTION
1	NAV1810569C91	COOLER, Oil Assembly Includes Oil Cooler (1)441409 Adapter Housing (1)441405 Rectangular Rings (1)421274 (1)421275 Screws (3)340014 Washers (3)440082 Seals (2)431221 O-Rings (4)EF30160
2	MAK419GC114	SCREW (3/8in-16 x 1-1/4in)
3	NAV25896R1	WASHER
4	NAV675513C1	SEAL, Cooler
5	FUL14621	O-RING
6	NAV677110C1	TUBE
7	NAV333773R1	CONNECTOR
8	NAV121894C1	VALVE
9	NAV444613	PLUG (1/8in NPT)
10	NAV1800515C1	TEE, Reducing
11	NAV1800029C1	BRACKET
12	CUM3318201	FILTER, Water (Conditioner)
12	CUM3315115	FILTER, Water (Conditioner)
12	CUM3316053	FILTER, Water (Conditioner)
12	CUM3318318	FILTER, Water (Conditioner)
13	NAV1810568C1	HOUSING, Adapter
14	N/A	KIT, Oil Cooler Mounting Includes Seals (2)431221 Rings (1)421274 (1)421275 O-Rings (4)EF30160
15	NAV21254R1	RING, Seal (Rectangular Cross Section)
16	NAV387088R1	RING, Seal (Rectangular Cross Section)
17	NAV27326R1	WASHER, Flat, Hard (.35in ID x .68in OD x .98THK)
18	CAT1B9575	SCREW, Hex Head (5/16 -18 x 1 3/4)



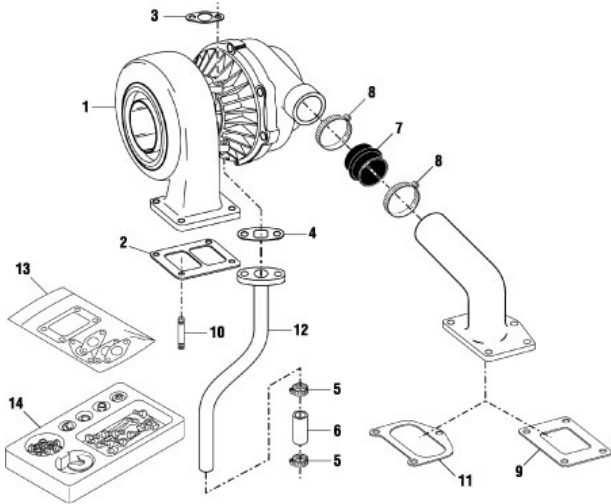
**EARLY DT-466 TO 1993 SECTION – OIL COOLER –
ENGINE SERIAL NUMBERS 517251 AND ABOVE –
OIL COOLER WITH COOLANT**

KEY	OEM REF	DESCRIPTION
1	NAV1810569C91	COOLER, Oil, Assembly Includes Oil Cooler (1)441409 Adapter Housing (1)441405 Rectangular Rings (1)421274 (1)421275 Screws (3)340014 Washers (3)440082 Seals (2)431221 O-Rings (4)EF30160
2	MAK419GC114	SCREW (3/8in-16 x 1-1/4in) (4 req'd)
3	NAV25896R1	WASHER
4	NAV675513C1	SEAL, Cooler
5	FUL14621	O-RING
6	NAV677110C1	TUBE
7	NAV21254R1	RING, Seal (Rectangular Cross Section)
8	NAV387088R1	RING, Seal (Rectangular Cross Section)
9	CUM3318201	FILTER, Water (Conditioner)
9	CUM3315115	FILTER, Water (Conditioner)
9	CUM3316053	FILTER, Water (Conditioner)
9	CUM3318318	FILTER, Water (Conditioner)
10	NAV1810502C91	BRACKET
11	NAV1810568C1	HOUSING, Adapter
12	N/A	KIT, Oil Cooler Mounting Includes Seals (2)431221 Rings (1)421274 (1)421275 O-Rings (4)EF30130X
13	NAV27326R1	WASHER, Flat, Hard (.35in ID x .68in OD x .98THK)
14	CAT1B9575	SCREW, Hex Head (5/16 -18 x 1 3/4)



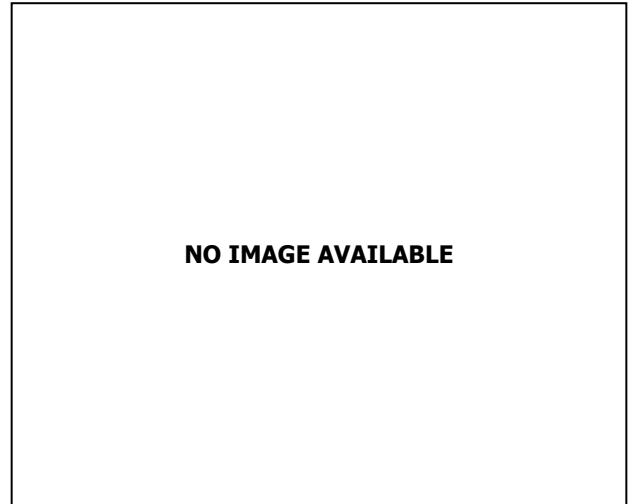
EARLY DT-466 TO 1993 SECTION – OIL PUMP

KEY	OEM REF	DESCRIPTION
1	NAV1802666C92	PUMP, Oil Assembly Assembly (w/ 1.030in Rotor low volume) (For Serial Numbers 466775 & Below)
1	NAV1808832C92	PUMP, Oil Assembly Assembly (w/ 1.240in Rotor high volume) (For Serial Numbers 466776 & Above)
2	NAV675860C1	O-RING, Oil Pump Housing
3	NAV690437C93	KIT, Front Seal Includes Seal (1)436006 Wear Rings (1)ERG-3769 (1)436050
4	NAV671821C2	GASKET, Oil Pump Inlet Tube (For Serial Numbers 466775 & Below)
4	NAV1802867C2	GASKET, Oil Pump Inlet Tube (For Serial Numbers 466776 & Above)
5	NAV1827174C1	RING, Wear (.775in wide)
5	NAV675861C2	RING, Wear (.687in wide)
6	NAV1806380C91	SEAL, Front (NSS - Use Kit 436005)
7	NAV1802845C91	ROTOR, Assembly



EARLY DT-466 TO 1993 SECTION – TURBOCHARGERS

KEY	OEM REF	DESCRIPTION
1	NAV684238C91	TURBOCHARGER
1	MAK7536-193876	TURBOCHARGER (3LM-466)
1	MAK7536-167336	TURBOCHARGER (S2E)
1	MAK7536-313102	TURBOCHARGER (T04B-25)
2	NAV670073C2	GASKET, Turbo Mount
3	NAV253660R2	GASKET, Lube (Inlet)
4	NAV670079C2	GASKET, Lube (Drain)
5	MAK83AX627	CLAMP, Hose
6	NAV675859C2	HOSE, Inlet (Lube Drain) (7/8in ID x 2-5/8in Lg)
7	NAV675723C2	HOSE, Hump (2in ID x 2-1/4in ID x 2-1/2in Lg)
8	NAV303490R91	CLAMP, Hose
9	NAV673341C2	GASKET
10	NAV1810355C1	STUD, Turbo Mount
11	NAV686181C2	GASKET, Cooler
12	NAV691624C1	TUBE, Turbo Drain (For Serial Numbers 143536 - 567491)
12	NAV1801244C2	TUBE, Turbo Drain (For Serial Numbers 567492 - 618495)
12	NAV1817209C2	TUBE, Turbo Drain (For Serial Numbers 618496 & Above)
13	MAK7536-318419	KIT, Gasket (For ETC-9303)
14	MAK7536-318372	KIT, Repair (For ETC-9303)



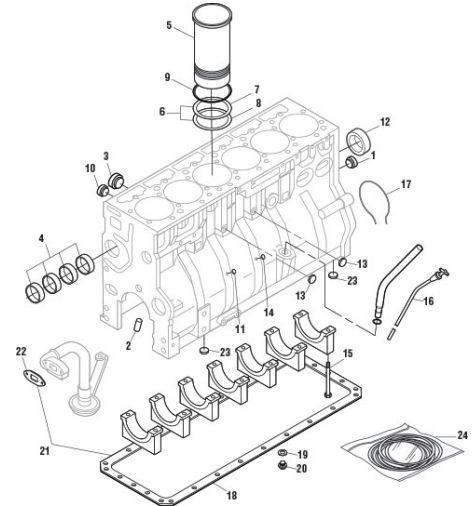
EARLY DT-466 TO 1993 SECTION – GASKET SETS

KEY	OEM REF	DESCRIPTION
1	NAV1817254C96	SET, Upper Gasket Includes Gaskets (1)431208 (1)431210 (1)431209 (1)431206 (1)431205 (1)431207 (1)431218(1)431211 (1)431212 (1)431213 (6)431214 (1)431217 Grommets (6)431215 (6)431216 Shields (12)431219
2	NAV674399C96	SET, Lower Gasket Includes Gasket Set (1)431236 Gasket (1)431229 Washers (1)442090 (1)442091 O-Ring (1)421203 Seals (1)431225 (2)431221 (1)431226 Rings (1)421270 (1)421274 (1)421275 (1)431223 (1)321263
3	NAV1813933C93	SET, Front Cover Gasket (From Serial numbes 532981 & above) Includes Gaskets (1)431232 (1)431220 (1)431227 (1)431202 (1)431203 (1)431201 (1)431228 (1)431231 (1)431230 (1)431222 O-Rings (4)EF30160 (2)421201 (1)421202
3	NAV680084C96	SET, Front Cover Gasket (From Serial numbers 532980 & below) Includes Gaskets (1)431224 (1)431235 (1)431220 (1)431222 (1)431227 (1)431202 (1)431203(2)431231 (1)431230 (1)431228 (1)431201 O-Rings (4)EF30160 (2)421201 (1)421202 Ring (1)421270

NO IMAGE AVAILABLE

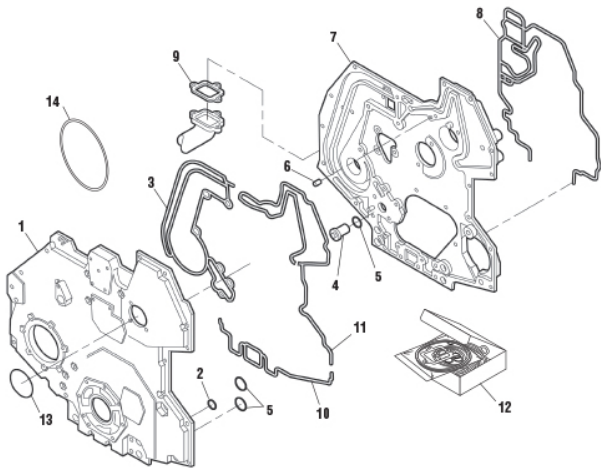
EARLY DT-466 TO 1993 SECTION – MISCELLANEOUS COMPONENTS

KEY	OEM REF	DESCRIPTION
1	NAV675398C2	SEAL, Oil Filter Base
2	NAV690460C1	HOSE, Inlet
3	NAV1810699C4	GASKET, Breather (For Serial Numbers 618496 & Above)
4	NAV444618	PLUG, Pipe (1/4in)
5	NAV680246C1	HOSE, Fuel Return
6	NAV1802452C1	CAP, Injector
7	NAV1802453C1	CLAMP, Hose (Fuel Return)
8	MAK49AX244	PLUG (1/4in NPT) (Intake Manifold Cover)
9	N/A	SET, Installation (Pump & Injector)
10	NAV673396C2	GASKET, Water Inlet
11	N/A	SET, Gasket, Injector Pump Mouting Includes Gasket (1)431227 Seal (1)431226 Sleeves (4)MSL-4147 (6)MSL-4136-006



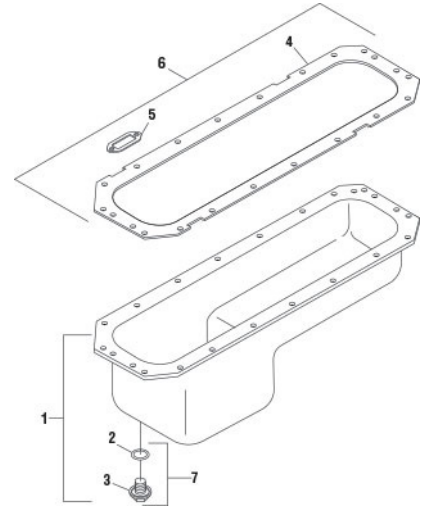
DT-466 & 530 1993-1997 PLN SECTION – CYLINDER BLOCK COMPONENTS

KEY	OEM REF	DESCRIPTION
1	MAK79AX57X	PLUG (7/8in)
1	MAK79AX63	PLUG (13/16in)
2	NAV343464R1	TUBE, Oil Cooling
3	MAK79AX71	PLUG (1-1/4in)
4	NAV680117C3	SET, Camshaft Bearing
5	NAV1815674C1	LINER, Cylinder
6	NAV1822322C92	KIT, O-Ring & Seal Includes O-Ring (1)421212 Seal (1)421213
7	NAV1842115C1	SEAL, Liner
8	NAV1817633C2	O-RING, Liner
9	NAV1823120C1	SHIM, Liner (.002)
9	NAV1823121C1	SHIM, Liner (.004)
9	NAV1823122C1	SHIM, Liner (.010)
9	NAV1823123C1	SHIM, Liner (.020)
9	NAV1823124C1	SHIM, Liner (.032)
10	NAV444618	PLUG (1/4in)
11	MAK49AX230	PLUG (1/8in)
12	NAV682444C1	RING, Seal (Rear)
13	MAK49AX234Z	PLUG (1/2in)
14	NAV444613	PLUG (1/8in)
15	NAV1827078C2	BOLT, Flanged (15mm x 2.0 x 144mm)
15	NAV1817356C1	BOLT, Flanged
16	NAV1820396C2	GAUGE, Oil Level (Front Sump)
16	NAV1820953C2	GAUGE, Oil Level (Rear Sump)
17	NAV1841974C1	GASKET, Rear Seal
18	NAV1826587C1	GASKET, Oil Pan
19	MAK39AX21	WASHER, Drain Plug
20	NAV1825504C1	PLUG, Drain
21	N/A	KIT, Oil Pan Gasket Includes Gaskets (1)431252 (1)431253
22	NAV1816722C2	GASKET, Oil Pick-up
23	NAV327411R1	PLUG (5/8in)
24	NAV1823356C91	KIT, Shim Liner Includes Shims (2)462031 (2)462032 (1)462033 (1)462034 (2)462035



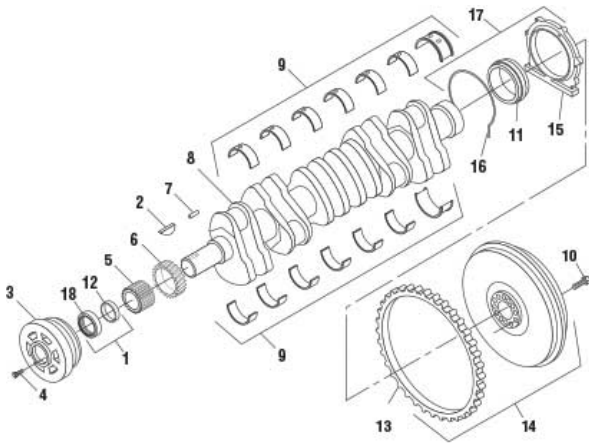
DT-466 & 530 1993-1997 PLN SECTION – GEAR COVER AND COMPONENTS

KEY	OEM REF	DESCRIPTION
1	NAV1817482C2	COVER, Front Timing
2	NAV1820878C2	O-RING
3	NAV1818717C4	GASKET, Molded
4	NAV1833386C1	VALVE, Relief
5	NAV1820907C2	O-RING
6	NAV1820813C1	DOWEL
7	NAV1817611C94	COVER, Block Side
8	NAV1820416C3	GASKET, Molded
9	NAV1817974C1	GASKET, Water Elbow
10	NAV1818716C3	GASKET, Molded
11	NAV1820438C1	O-RING, Timing (Cut to Length)
12	NAV1822365C98	SET, Front Cover Gasket Includes Gaskets (1)431260 (1)431259 (1)431262 (1)431253 (1)431258 (1)121324 O-Rings (1)421221 (2)421224 (1)421225 (1)421205 Rings (2)421273
13	NAV1819250C3	O-RING, Pump Access Cover (PLN Only)
14	CAT5E8771	O-RING Air Compressor Mounting



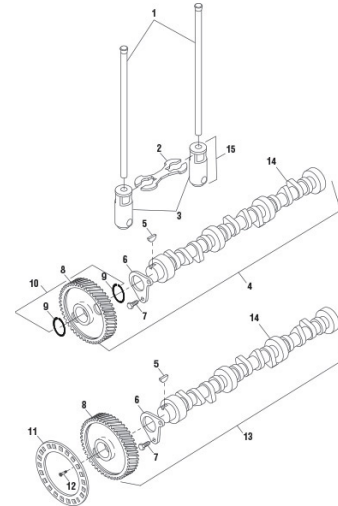
DT-466 & 530 1993-1997 PLN SECTION – OIL PAN

KEY	OEM REF	DESCRIPTION
1	NAV1823740C93	PAN, Oil
2	FUL21208	O-RING (1.171in x 1.310in)
3	NAV1825504C1	PLUG, Drain
4	NAV1826587C1	GASKET, Oil Pan
5	NAV1816722C2	GASKET, Oil Pick-up
6	N/A	KIT, Oil Pan Gasket Includes Gaskets (1)431252 (1)431253
7	NAV1872269C91	KIT, Drain Plug Includes Plug (1)442030 O-Ring (1)EF30260



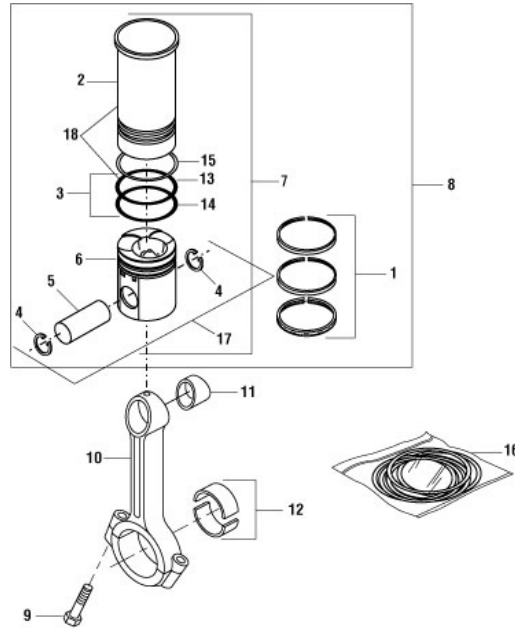
DT-466 & 530 1993-1997 PLN SECTION – CRANKSHAFT

KEY	OEM REF	DESCRIPTION
1	NAV690437C93	KIT, Seal (Front) Includes Seal (1)436006 Wear Rings (1)ERG-3769 (1)436050
1	NAV1833096C94	KIT, Front Seal (530) Includes Seal (1)436031 Wear Ring (1)436032
2	NAV691044C1	KEY, Damper
3	NAV1820855C92	DAMPER
3	NAV1830736C91	DAMPER (DT530)
4	NAV1823929C1	SCREW
5	NAV675364C1	SPLINE, Oil Pump Drive
6	NAV1820299C1	GEAR, Crankshaft
7	NAV17135R1	PIN
8	NAV1821981C91	CRANKSHAFT
9	NAV2511360C91	SET, Main Bearing (STD) Includes Bearings(6)470110 (1)470115
9	N/A	SET, Main Bearing (.010) Includes Bearings(6)470111 (1)470116
9	N/A	SET, Main Bearing (.020) Includes Bearings(6)470112 (1)470117
9	N/A	SET, Main Bearing (.030) Includes Bearings(6)470113 (1)470118
10	NAV25277R1	SCREW
11	NAV1817867C92	SEAL, Rear
12	NAV1827176C91	RING, Wear (530)
12	NAV1827174C1	RING, Wear (.775in)
12	NAV675861C2	RING, Wear (.678in)
13	NAV1815440C1	GEAR, Ring (Used w/ 460046 Flywheel Assembly) (138 Teeth)
14	NAV1821915C91	FLYWHEEL, Assembly (14in Dia.) (Single Disc)
14	NAV1809144C91	FLYWHEEL (14in Dia)
15	NAV1815699C3	RETAINER, Housing
16	NAV1841974C1	GASKET, Rear Seal
17	NAV1841139C93	KIT, Rear Seal Includes Retainer (1)441450 Seal (1)436015 Gasket (1)431272
18	NAV1806380C91	SEAL, Front (NSS - Sold in Kit 436005)



DT-466 & 530 1993-1997 PLN SECTION – CAMSHAFT

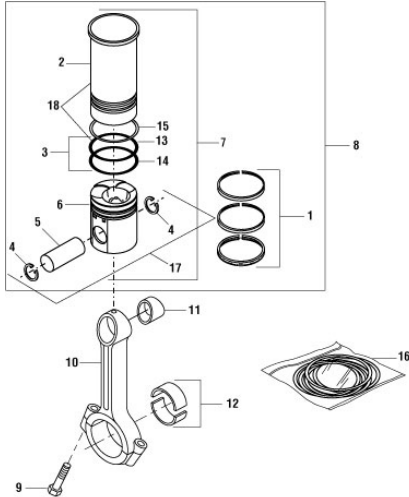
KEY	OEM REF	DESCRIPTION
1	NAV1809589C1	PUSHROD
2	NAV1813892C1	GUIDE, Roller Lifter
3	NAV1809570C1	LIFTER, Roller
4	NAV1820850C94	KIT, Camshaft Includes Camshaft (1)490013 Key (1)DKY-3200 Gear (1)480008 Thrustwasher (1)480021
5	NAV127559	KEY
6	NAV1817545C1	WASHER, Camshaft Thrust
7	NAV1817956C1	BOLT, Flange (M8 x 20mm)
8	NAV1823944C92	GEAR, Camshaft (w/Pins) (Used with Cam Kit 490023)
8	N/A	GEAR, Camshaft (Used with Cam Kit 490014)
9	NAV1819591C1	RING, Camshaft Gear
10	NAV1820853C92	GEAR, Camshaft w/Rings (Used with Camshaft 490013) Includes Gear (1)490031 Ring (2)480022
11	NAV1824723C1	DISC, Timing Sensor
12	NAV1825464C1	SCREW, Flat Head (M5 x 12)
13	NAV1820208C94	KIT, Camshaft Includes Camshaft (1)490013 Key (1)DKY-3200 Gear (1)480007 Washer (1)480021
14	NAV1820851C3	CAMSHAFT
15	NAV1894236C91	KIT, Lifter Includes Lifter (12) 490063 Lifter Guide (12) 490041



DT-466 & 530 1993-1997 PLN SECTION – PISTONS, CYLINDER KITS, ROD BEARINGS AND RING SETS – ONE PIECE PISTON

KEY	OEM REF	DESCRIPTION	KEY	OEM REF	DESCRIPTION
1	NAV1825461C92	SET, Ring (Single Keystone Set) (DT-466)	8	NAV1824820C92	KIT, Cylinder (w/ Rings) (DT-466) Includes Piston (1)410022 Pin (1)410021 Liner (1)400004 Retainers (2)410003 O-Ring Kit (1)421210 Ring Set (1)405005
1	NAV1817247C93	SET, Ring (Double Keystone Set) (DT-408 / DT-466)	8	NAV1824823C93	KIT, Cylinder (w/ Rings) (DT-466) Includes Piston (1)410024 Pin (1)410021 Liner (1)400004 Retainers (2)410003 O-Ring Kit (1)421210 Ring Set (1)405001
1	NAV1830723C92	SET, Ring (530)	8	NAV1822329C94	KIT, Cylinder (w/ Rings) (DT-466) Includes Piston (1)410020 Pin (1)410021 Liner (1)400004 Retainers (2)410003 O-Ring Kit (1)421210 Ring Set (1)405005
2	NAV1841326C1	LINER (530) (Use Seal 421213)	8	NAV1822333C98	KIT, Cylinder (w/ Rings) (530) Includes Piston (1)410018 Pin (1)410021 Liner (1)400003 Retainers (2)410003 Seal (1)421213 Ring Set (1)405024
2	NAV1815674C1	LINER (DT-408/DT-466) (Use O-Ring Kit 421210)	8	N/A	KIT, Cylinder (DT-408) Includes Piston Kit (1)410017 Ring Set (1)405005 Liner (1)400004 O-Ring Kit (1)421210
3	NAV1822322C92	KIT, O-Ring Includes Seal (1)421213 O-Ring (1)421212	9	NAV1840363C1	SCREW, Connecting Rod
4	NAV1818702C1	RETAINER, Piston Pin	10	NAV1818597C91	ROD, Connecting
5	NAV1818552C1	PIN	11	NAV1818598C1	BUSHING, Piston Pin
6	NAV1822217C3	PISTON (DT-408)	12	NAV1822389C91	BEARING, Connecting Rod (STD)
6	NAV1822098C3	PISTON (530)	12	NAV1822486C91	BEARING, Connecting Rod (.010in)
6	NAV1822097C2	PISTON (DT-466)	12	NAV1822487C91	BEARING, Connecting Rod (.020in)
6	NAV1823930C1	PISTON (DT-466)	12	NAV1822488C91	BEARING, Connecting Rod (.030in)
6	NAV1824810C1	PISTON (DT-466)	13	NAV1842115C1	SEAL, Liner (For Liner 400003)
7	NAV1824819C91	KIT, Cylinder (w/o Rings) (DT-466) Includes Piston (1)410022 Pin (1)410021 Liner (1)400004 Retainers (2)410003 O-Ring Kit (1)421210	14	NAV1817633C2	O-RING, Liner (For Liner 400004)
7	NAV1824822C92	KIT, Cylinder (w/o Rings) (DT-466) Includes Piston (1)410024 Pin (1)410021 Liner (1)400004 Retainers (2)410003 O-Ring Kit (1)421210			
7	NAV1822319C92	KIT, Cylinder (w/o Rings) (DT-466) Includes Piston (1)410020 Pin (1)410021 Liner (1)400004 Retainers (2)410003 O-Ring Kit (1)421210			

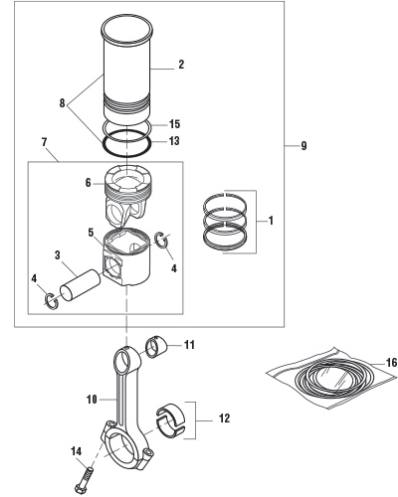
Continued



DT-466 & 530 1993-1997 PLN SECTION – PISTONS, CYLINDER KITS, ROD BEARINGS AND RING SETS – ONE PIECE PISTON

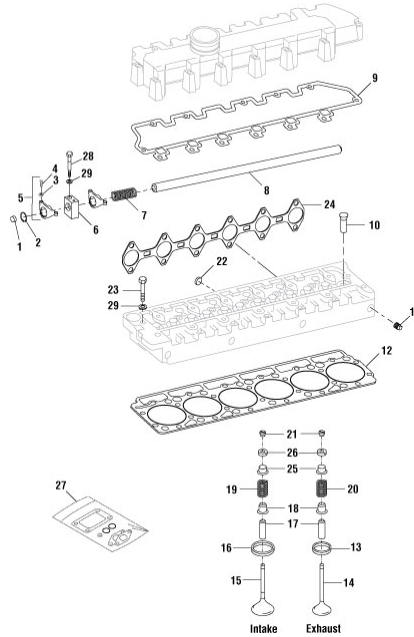
Continued

KEY	OEM REF	DESCRIPTION
15	NAV1823120C1	SHIM, Liner (.002in)
15	NAV1823121C1	SHIM, Liner (.004in)
15	NAV1823122C1	SHIM, Liner (.010in)
15	NAV1823123C1	SHIM, Liner (.020in)
15	NAV1823124C1	SHIM, Liner (.032in)
16	NAV1823356C91	KIT, Shim Includes Shims (2)462031 (2)462032 (1)462033 (1)462034 (2)462035
17	N/A	KIT, Piston (DT-408) Includes Piston (1)410016 Pin (1)410021 Retainers (2)410003
17	N/A	KIT, Piston (530) Includes Piston (1)410018 Pin (1)410021 Retainers (2)410003
17	N/A	KIT, Piston (DT-466) Includes Piston (1)410020 Pin (1)410021 Retainers (2)410003
17	N/A	KIT, Piston (DT-466) Includes Piston (1)410022 Pin (1)410021 Retainers (2)410003
17	N/A	KIT, Piston (DT-466) Includes Piston (1)410024 Pin (1)410021 Retainers (2)410003
18	NAV1842553C91	KIT, Liner (530) Includes Liner (1)400003 Seal (1)421213

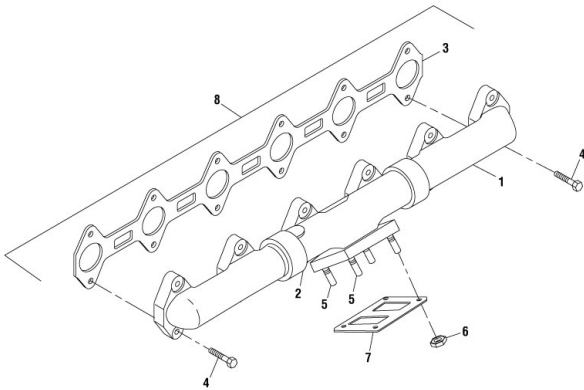


DT-466 & 530 1993-1997 PLN SECTION – PISTONS, CYLINDER KITS, ROD BEARINGS AND RING SETS – TWO PIECE PISTON

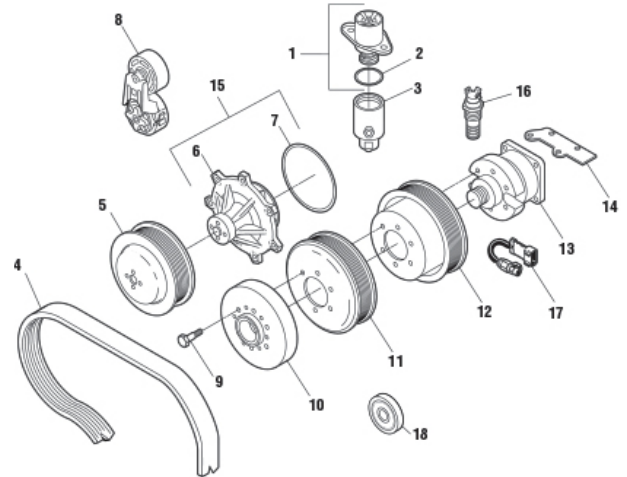
KEY	OEM REF	DESCRIPTION
1	NAV1830723C92	SET, Ring (530)
2	NAV1841326C1	LINER (530) (Use Seal 421213)
3	NAV1818552C1	PIN
4	NAV1818702C1	RETAINER, Piston Pin
5	NAV1826414C1	SKIRT, Piston (530)
6	NAV1829847C1	CROWN, Piston (530)
7	N/A	KIT, Piston (530) Includes Crown (1)410034 Skirt (1)410039 Pin (1)410021 Retainers (2)410003
8	NAV1842553C91	KIT, Liner (530) Includes Liner (1)400003 Seal (1)421213
9	NAV1824757C97	KIT, Cylinder (w/ Rings) (530) Includes Piston kit (1)410049 Ring Set (1)405024 Liner kit (1)400025
10	NAV1818597C91	ROD, Connecting
11	NAV1818598C1	BUSHING, Piston Pin
12	NAV1822389C91	BEARING, Rod (STD)
12	NAV1822486C91	BEARING, Rod (.010in)
12	NAV1822487C91	BEARING, Rod (.020in)
12	NAV1822488C91	BEARING, Rod (.030in)
13	NAV1842115C1	SEAL, Liner (Use w/ Liner 400003)
14	NAV1840363C1	SCREW, Connecting Rod
15	NAV1823120C1	SHIM, Liner (.002in)
15	NAV1823121C1	SHIM, Liner (.004in)
15	NAV1823122C1	SHIM, Liner (.010in)
15	NAV1823123C1	SHIM, Liner (.020in)
15	NAV1823124C1	SHIM, Liner (.032in)
16	NAV1823356C91	KIT, Shim Includes Shims (2)462031 (2)462032 (1)462033 (1)462034 (2)462035


DT-466 & 530 1993-1997 PLN SECTION – CYLINDER HEAD COMPONENTS

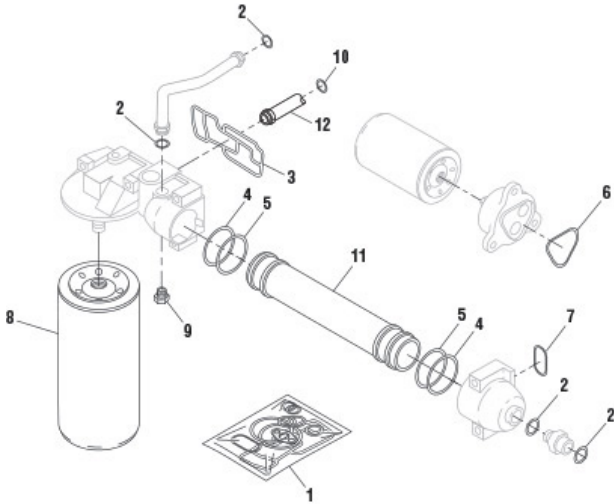
KEY	OEM REF	DESCRIPTION	KEY	OEM REF	DESCRIPTION
1	NAV291171C1	PLUG	25	NAV1819380C1	BUSHING, Rotator (5/16in Stem)
2	NAV24577R1	RING, Retaining	25	NAV1824683C1	BUSHING, Rotator (3/8in Stem)
3	NAV1820923C1	NUT	26	NAV1820826C91	ROTATOR (5/16in Stem) Includes Bushing 431268
4	NAV16067DA	SCREW	26	NAV1824680C1	ROTATOR (3/8in Stem) Includes Bushing 431269
5	NAV1820830C92	ROCKER ARM (Use w/ 5/16in Valve Stem)	27	NAV1823181C92	KIT, Turbo Mounting Includes Gaskets (1)431210 (1)431247 (1)431208 O-Rings (2)421226 Sleeve (1)MSL-4134-006
5	NAV1823924C92	ROCKER ARM (Use w/ 3/8in Valve Stem)	28	NAV1824955C2	BOLT, Rocker Stand (M14 x 2 x 230mm) (6 req'd)
6	NAV1822199C1	BRACKET, Rocker	29	NAV1814757C2	WASHER
7	NAV675105C1	SPRING			
8	NAV675660C92	SHAFT			
9	NAV1817510C1	GASKET, Valve Cover/Intake			
10	NAV675442C1	SLEEVE, Injector			
11	MAK49AX230	PLUG, Pipe (1/8in NPT)			
11	MAK49AX234Z	PLUG, Pipe (1/2in NPT)			
11	MAK49AX235	PLUG, Pipe (3/4in NPT)			
12	NAV1817562C2	GASKET, Cylinder Head			
13	NAV675450C3	SEAT, Exhaust (STD)			
14	NAV1824838C1	VALVE, Exhaust (5/16in Stem)			
14	NAV1824842C1	VALVE, Exhaust (3/8in Stem)			
15	NAV1818580C1	VALVE, Intake (5/16in Stem)			
15	NAV1824642C1	VALVE, Intake (3/8in Stem)			
16	NAV675043C1	SEAT, Intake (STD)			
17	NAV1820264C1	GUIDE (5/16in ID) (Finished)			
17	NAV1824646C1	GUIDE (3/8in ID) (Finished)			
18	NAV1822245C1	SEAL (5/16in Stem)			
18	NAV1823925C1	SEAL (3/8in Stem)			
19	NAV677349C1	SPRING, Intake			
20	NAV1825540C1	SPRING, Exhaust			
21	NAV1810944C1	LOCK, Valve (5/16in Stem)			
21	NAV1824644C1	LOCK, Valve (3/8in Stem)			
22	MAK79AX71	PLUG, Cap (1-1/4in)			
23	NAV1824952C1	BOLT, Cylinder Head (20 req'd) (M14 x 2.0 x 165mm,Hex head)			
24	NAV1825436C1	GASKET, Exhaust (Round Port)			


**DT-466 & 530 1993-1997 PLN SECTION –
EXHAUST MANIFOLD**

KEY	OEM REF	DESCRIPTION
1	NAV1814149C2	MANIFOLD, Front & Rear
2	NAV1818561C4	MANIFOLD, Center
3	NAV1825436C1	GASKET, Exhaust (Round Port)
4	NAV1817830C1	BOLT, Exhaust Manifold (M12 x 1.75 x 35mm)
5	NAV1821642C3	STUD, Turbo (M10 x 1.25/1.50 x 45mm)
6	NAV1841574C2	NUT, Flanged Head (M10 x 1.25)
7	NAV670073C2	GASKET, TURBO Mount
8	N/A	KIT, Exhaust Manifold Includes Manifolds (1)481130 (2)481131 Gaskets (1)431250 (1)431210 Studs (4)440112 Nuts (4)440032 Bolts (12)440006

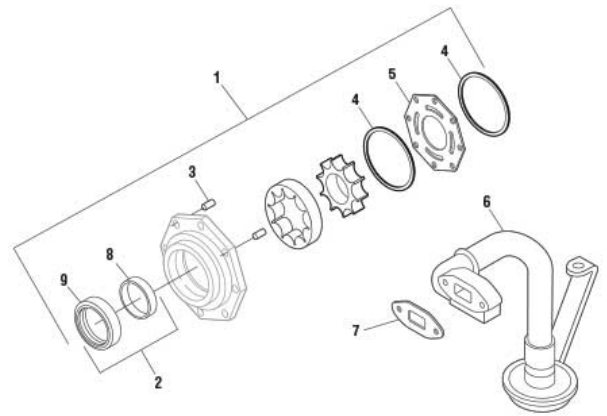

DT-466 & 530 1993-1997 PLN SECTION – WATER PUMP

KEY	OEM REF	DESCRIPTION
1	NAV1830256C93	KIT, Thermostat (190 deg.) (Non-vented) Includes O-Ring (1)421215
2	NAV1820951C1	O-RING, Thermostat
3	NAV1822111C91	HOUSING, Bypass
4	N/A	BELT (Listed in Miscellaneous Section)
5	NAV1817891C1	PULLEY, Water Pump
6	NAV1820300C8	ASSEMBLY, Water Pump
6	NAV1841764C2	ASSEMBLY, Water Pump
7	NAV1819099C1	O-RING, Water Pump
7	NAV1841348C1	O-RING, Water Pump
8	NAV1830033C1	TENSIONER, Belt
9	NAV1817956C1	BOLT (M8 x 20 mm)
9	NAV1817978C1	BOLT (35mm)
9	NAV1817959C1	BOLT (40mm)
10	NAV1820823C1	SPACER, Fan
11	NAV1820224C1	PULLEY, Drive
12	NAV1818607C1	PULLEY, Fan (1.2:1 Fan Ratio)
12	NAV1820308C1	PULLEY, Fan (1.08:1 Fan Ratio)
12	NAV1820309C1	PULLEY, Fan (1.3:1 Fan Ratio)
13	NAV1822050C91	BRACKET, Fan Mounting (15.1in Fan Center)
13	NAV1822051C91	BRACKET, Fan Mounting (18.3in Fan Center)
14	NAV1822016C1	BRACKET, Front Cover Support
15	NAV1830606C94	KIT, Water Pump Includes Water Pump (1)481810 O-Ring (1)421205
15	NAV1842664C92	KIT, Water Pump Includes Water Pump (1)481811 O-Ring (1)421242
16	NAV1684560C92	SWITCH, Fan Clutch (205 °)
16	NAV1685132C92	SWITCH, Fan Clutch (Cummins Application)
17	NAV1689785C91	VALVE, Air Control
18	NAV1824389C1	BEARING, Pulley (Idler Pulley)



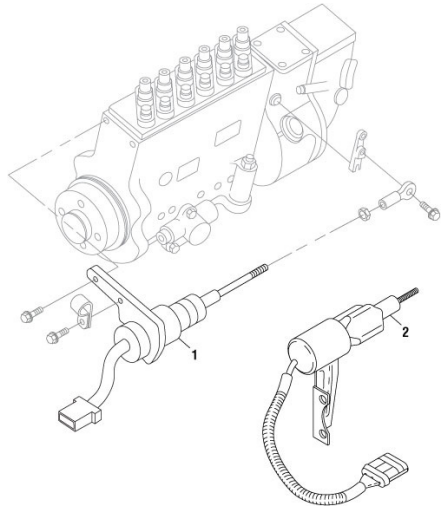
DT-466 & 530 1993-1997 PLN SECTION – OIL COOLER

KEY	OEM REF	DESCRIPTION
1	NAV1823182C95	KIT, Gasket, Oil Cooler Mounting Includes Gaskets (1)431270 (1)431208 (1)431338 (1)431339 O-Rings (2)421228 (2)421227 (4)421226 (1)421224 Seal (1)421241 Sleeve (1)MSL-4134-006
2	NAV1821098C2	O-RING
3	NAV1817849C3	GASKET
4	NAV1807563C1	O-RING
5	NAV1804414C1	O-RING
6	NAV1820353C1	RING
7	NAV1830362C1	SEAL
8	NAV1833121C1	FILTER, Oil
9	NAV444618	PLUG
10	NAV1820907C2	O-RING
11	NAV1815904C2	COOLER, Oil Includes Oil Cooler Gasket Kit (1)431271
12	NAV1815239C3	VALVE, Regulator



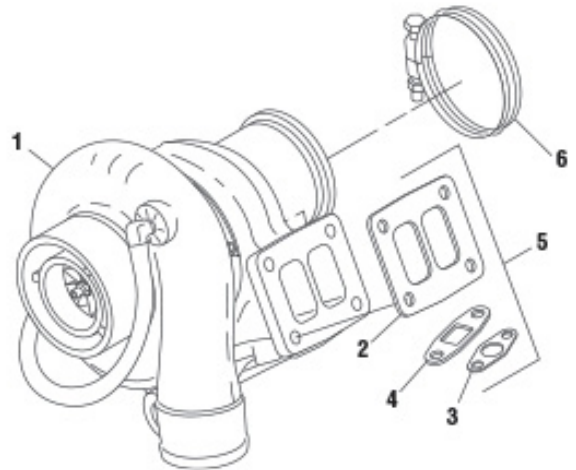
DT-466 & 530 1993-1997 PLN SECTION – OIL PUMP

KEY	OEM REF	DESCRIPTION
1	NAV1822326C91	PUMP, Oil (DT-466)
1	NAV1822390C92	PUMP, Oil (530)
2	NAV690437C93	KIT, Front Seal Includes Seal (1)436006 Wear Rings (1)ERG-3769 (1)436050
2	NAV1833096C94	KIT, Front Seal (530) Includes Seal (1)436031 Wear Ring (1)436032
3	NAV680482C1	PIN, Dowel
4	NAV1817862C1	RING, Pump Housing
5	NAV1817847C1	PLATE, Pump Housing
6	NAV1820311C2	TUBE, Oil Pick-up (Front Sump)
6	NAV1820225C93	TUBE, Oil Pick-up (Rear Sump)
6	NAV1826302C1	TUBE, Oil Pick-up (Rear Sump) For Oil Pan 1826305C91
7	NAV1816722C2	GASKET, Oil Pick-up
8	NAV1827176C91	RING, Wear(530)
8	NAV1827174C1	RING, Wear (.775in wide)
8	NAV675861C2	RING, Wear (.687in wide)
9	NAV1806380C91	Seal, Front (NSS - Sold in Kit 436005)



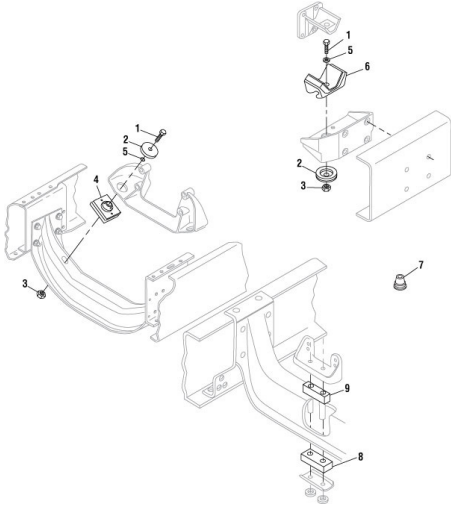
DT-466 & 530 1993-1997 PLN SECTION – FUEL PUMP

KEY	OEM REF	DESCRIPTION
1	NAV1820453C91	SOLENOID, Assembly (Shutoff)
2	NAV1813867C1	SOLENOID, Assembly (Shutoff)



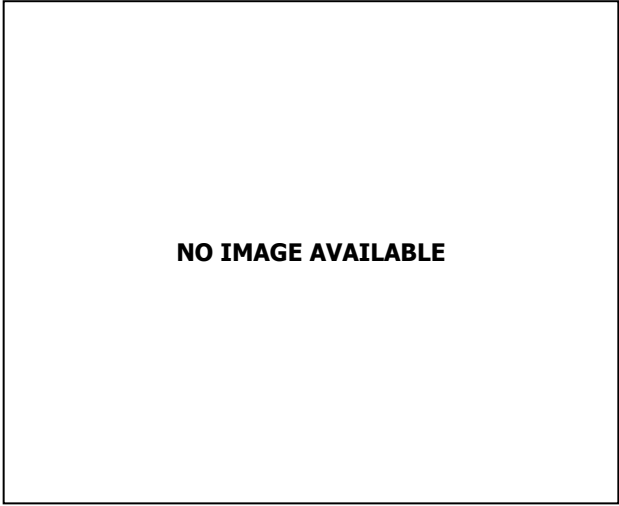
DT-466 & 530 1993-1997 PLN SECTION – TURBOCHARGER

KEY	OEM REF	DESCRIPTION
1	NAV1825632C93	TURBOCHARGER (w/o Wastegate) Includes Clamp 442130
1	NAV1825457C93	TURBOCHARGER (w/ Wastegate) Includes Clamp 442130
2	CAT1P0451	GASKET, Turbo Mounting
3	NAV253660R2	GASKET, Turbo Supply
3	NAV1820936C1	GASKET, Turbo Drain
4	NAV670079C2	GASKET, Lube
5	N/A	KIT, Turbo Installation Gasket Includes Gaskets (1)431208 (1)431209 (1)331356 O-Rings(1)431247 (1)421226
6	NAV3553803C2	CLAMP, Turbo Outlet (3 5/8in ID)



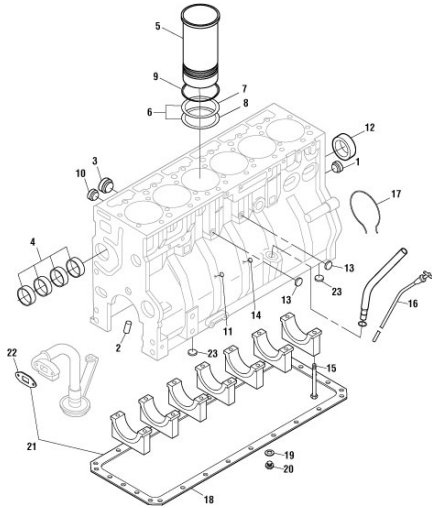
**DT-466 & 530 1993-1997 PLN SECTION – FRONT & REAR
 MOTOR MOUNTS**

KEY	OEM REF	DESCRIPTION
1	NAV414084C1	SCREW (5/8-18 x 3-1/2in flanged hex head)
2	NAV1664726C2	MOUNT, Upper Front/Rear Engine
3	NAV414089C1	NUT
4	NAV1664723C3	MOUNT, Lower Front
5	NAV28425R1	WASHER (.656in ID x 1.50in OD x .188 thk)
6	NAV1664728C1	MOUNT, Upper Rear
7	NAV503401C2	INSULATOR, Radiator
8	NAV286235C2	MOUNT, Lower Front
9	NAV286236C2	MOUNT, Upper Front



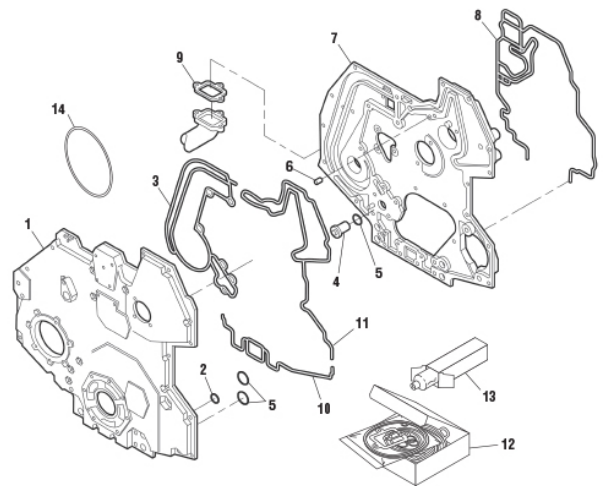
**DT-466 & 530 1993-1997 PLN SECTION –
 GASKET SETS**

KEY	OEM REF	DESCRIPTION
1	NAV1822328C94	KIT, Upper Gasket Includes Gaskets (1)431250 (1)431210 (1)431208 (1)431247 (1)431249 (1)431248 O-Ring (1)421215 Grommets (6)431216
1	NAV1830374C92	KIT, Block Accessory Gasket (w/o Pan Gasket) Includes Gaskets (1)431270 (1)431272 Gasket Kit (1)431267 Washer (1)BWA-2442 Rings (2)421226 (1)421270 (1)321263 Seal (1)421241



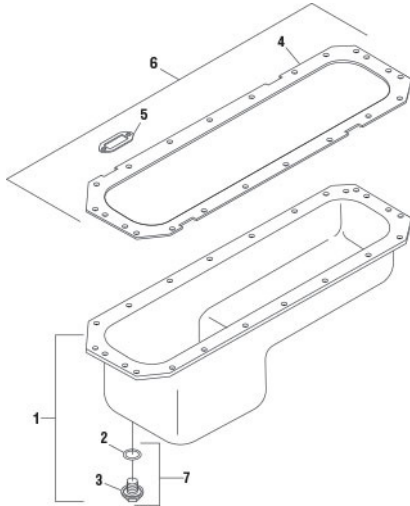
DT-466E & 530E 1993-1999 HEUI SECTION – CYLINDER BLOCK COMPONENTS

KEY	OEM REF	DESCRIPTION
1	MAK79AX57X	PLUG (7/8in)
1	MAK79AX63	PLUG (13/16in)
2	NAV343464R1	TUBE, Oil Cooling
3	MAK79AX71	PLUG (1-1/4in)
4	NAV680117C3	SET, Camshaft Bearing
5	NAV1841326C1	LINER, Cylinder(530) (Use Seal 421213)
5	NAV1815674C1	LINER, Cylinder (DT-466) (Use Seal kit 421210)
6	NAV1822322C92	KIT, O-Ring & Seal Includes O-Ring (1)421212 Seal (1)421213
7	NAV1842115C1	SEAL, Liner
8	NAV1817633C2	O-RING, Liner
9	NAV1823120C1	SHIM, Liner (.002)
9	NAV1823121C1	SHIM, Liner (.004)
9	NAV1823122C1	SHIM, Liner (.010)
9	NAV1823123C1	SHIM, Liner (.020)
9	NAV1823124C1	SHIM, Liner (.032)
10	NAV444618	PLUG (1/4in)
11	MAK49AX230	PLUG (1/8in)
12	NAV682444C1	RING, Seal (Rear)
13	MAK49AX234Z	PLUG (1/2in)
14	NAV444613	PLUG (1/8in)
15	NAV1827078C2	BOLT, Flanged (15mm x 2.0 x 144mm)
15	NAV1817356C1	BOLT, Flanged
16	NAV1820396C2	GAUGE, Oil Level (Front Sump)
16	NAV1820953C2	GAUGE, Oil Level (Rear Sump)
17	NAV1841974C1	GASKET, Rear Seal
18	NAV1826587C1	GASKET, Oil Pan
19	MAK39AX21	WASHER, Drain Plug
20	NAV1825504C1	PLUG, Drain
21	N/A	KIT, Oil Pan Gasket Includes Gaskets (1)431252 (1)431253
22	NAV1816722C2	GASKET, Oil Pick-up
23	NAV327411R1	PLUG (5/8in)
24	NAV1823356C91	KIT, Shim Liner Includes Shims (2)462031 (2)462032 (1)462033 (1)462034 (2)462035



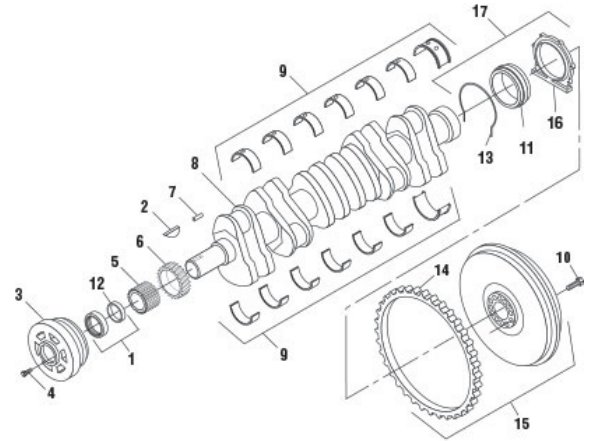
DT-466E & 530E 1993-1999 HEUI SECTION – GEAR COVERS AND COMPONENTS

KEY	OEM REF	DESCRIPTION
1	NAV1820465C4	COVER, Front Timing
2	CUM156545	O-RING
3	NAV1818717C4	GASKET, Molded
4	NAV1818419C3	VALVE, Relief
5	NAV1820907C2	O-RING
6	NAV1820813C1	DOWEL
7	NAV1820218C91	HOUSING, Gear (For Serial Numbers 998705 & Below)
7	NAV1826335C92	HOUSING, Gear (For Serial Numbers 998706 & Above)
8	NAV1820416C3	GASKET, Molded
9	NAV1817974C1	GASKET, Water Elbow
10	NAV1818716C3	GASKET, Molded
11	NAV1820920C1	GASKET, Molded
12	NAV1824984C92	KIT, Front Cover Gasket Includes Gaskets (1)431260 431259 (1)431262 (1)431261 (1)431253 (1)431258 (1)131294 Rings (2)421273 O-Rings (3)421224 (1)421205
13	MAK342SX32	SEALANT, Liquid
14	CAT5E8771	O-RING Air Compressor Mounting



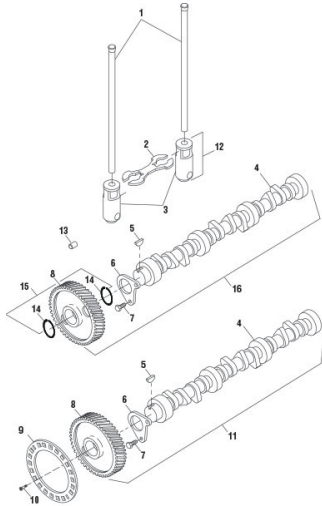
DT-466E & 530E 1993-1999 HEUI SECTION – OIL PAN

KEY	OEM REF	DESCRIPTION
1	NAV1823740C93	PAN, Oil
2	FUL21208	O-RING (1.171in x 1.310in)
3	NAV1825504C1	PLUG, Drain
4	NAV1826587C1	GASKET, Oil Pan
5	NAV1816722C2	GASKET, Oil Pick-up
6	N/A	KIT, Oil Pan Gasket Includes Gaskets (1)431252 (1)431253
7	NAV1872269C91	KIT, Drain Plug Includes Plug (1)442030 O-Ring (1)EF30260



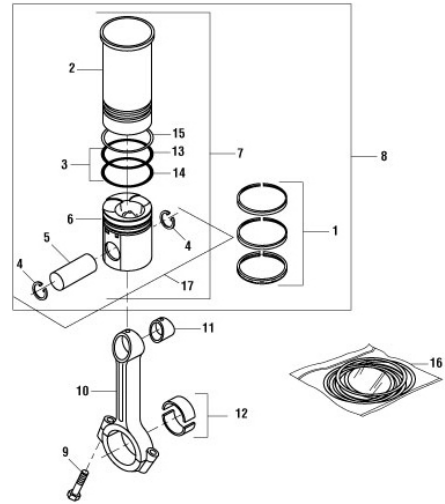
DT-466E & 530E 1993-1999 HEUI SECTION – CRANKSHAFT

KEY	OEM REF	DESCRIPTION
1	NAV690437C93	KIT, Front Seal Includes Seal (1)436006 Wear Rings (1)EGR-3769 (1)436050
1	NAV1833096C94	KIT, Front Seal (530E) Includes Seal (1)436031 Wear Ring (1)436032
2	NAV691044C1	KEY, Damper
3	NAV1820855C91	DAMPER
3	NAV1820856C2	DAMPER
3	NAV1830736C91	DAMPER, Crank Assembly (DT530)
4	NAV1823929C1	SCREW
5	NAV675364C1	HUB, Oil Pump Drive
6	NAV1820299C1	GEAR, Crankshaft
7	NAV17135R1	PIN
8	NAV1821981C91	CRANKSHAFT
9	NAV2511360C91	SET, Main Bearing (STD) Includes Bearings (6)470110 (1)470115
9	N/A	SET, Main Bearing (.010) Includes Bearings(6)470111 (1)470116
9	N/A	SET, Main Bearing (.020) Includes Bearings (6)470112 (1)470117
9	N/A	SET, Main Bearing (.030) Includes Bearings (6)470113 (1)470118
9	N/A	SET, Main Bearing (STD) Includes Bearings (6)470140 (1)470145
9	N/A	SET, Main Bearing (.010) Includes Bearings (6)470140 (1)470145
9	N/A	SET, Main Bearing (.020) Includes Bearings(6)470142 (1)470147
9	N/A	SET, Main Bearing (.030) Includes Bearings (6)470143 (1)470148
10	NAV25277R1	SCREW
11	NAV1817867C92	SEAL, Rear
12	NAV1827176C91	RING, Wear (530E)
12	NAV1827174C1	RING, Wear (.775in wide)
12	NAV675861C2	RING, Wear (.687in wide)
13	NAV1841974C1	GASKET, Seal Housing
14	NAV1815440C1	GEAR, Ring (Used w/ 460046 Flywheel Assembly 138 Teeth)
14	NAV1800777C1	GEAR, Ring (Used w/460047 Flywheel Assembly 137 Teeth)
15	NAV1821915C91	FLYWHEEL, Assembly (14in Dia., Single Disc w/ 138 Tooth Ring Gear)
15	NAV1809144C91	FLYWHEEL, Assembly (14in Dia.)
16	NAV1815699C3	RETAINER, Housing
17	NAV1841139C93	KIT, Rear Seal Includes Retainer (1)441450 Seal (1)436015 Gasket (1)431272



DT-466E & 530E 1993-1999 HEUI SECTION – CAMSHAFT

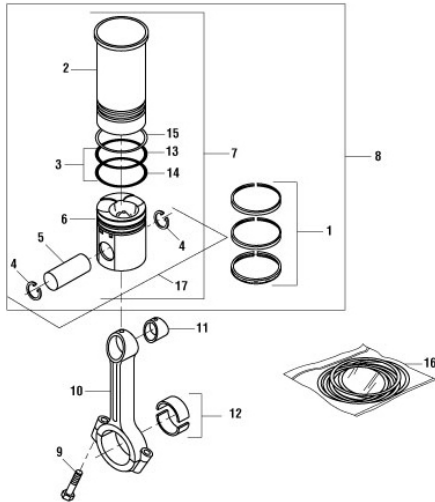
KEY	OEM REF	DESCRIPTION
1	NAV1821962C2	PUSHROD
1	NAV1809589C1	PUSHROD
2	NAV1813892C1	GUIDE, Roller Lifter
3	NAV1809570C1	LIFTER, Roller
4	NAV1820851C3	CAMSHAFT (Use Kit 490023)
5	MAK745-232013	KEY
6	NAV1817545C1	WASHER, Camshaft Thrust
7	NAV1817956C1	BOLT, Flange (M8 x 20mm)
8	NAV1823944C92	GEAR, Camshaft w/ Pins (Used with Cam Kit 490023)
8	N/A	GEAR, Camshaft (Used with Cam Kit 490014)
9	NAV1824723C1	DISC, Timing Sensor
10	NAV1825464C1	SCREW, Flat Head (M5 x 12)
11	NAV1820208C94	KIT, Camshaft Includes Camshaft (1)490013 Key (1)DKY-3200 Gear (1)480007 Washer (1)480021
12	NAV1894236C91	KIT, Lifter Includes Lifter (12) 490063 Lifter Guide (12) 490041
13	NAV19841R1	PIN, Dowel (1/4in dia x 1/2in lg)
14	NAV1819591C1	RING, Camshaft Gear
15	NAV1820853C92	GEAR, Camshaft w/Rings (Used with Camshaft 490014) Includes Gear (1)490031 Ring (2)480022
16	NAV1820850C94	KIT, Camshaft Includes Camshaft (1)490013 Key (1)DKY-3200 Gear (1)480008 Thrustwasher (1)480021



DT-466E & 530E 1993-1999 HEUI SECTION – PISTONS, CYLINDER KITS, ROD BEARINGS AND RING SETS – ONE PIECE PISTON

KEY	OEM REF	DESCRIPTION
1	NAV1825461C92	SET, Ring (Single Keystone Set) (DT-466E)
1	NAV1817247C93	SET, Ring (Double Keystone Set) (DT-466E)
1	NAV1830723C92	SET, Ring (530)
2	NAV1841326C1	LINER (530) (Use Seal 421213)
2	NAV1815674C1	LINER (DT-466E) (Use Seal Kit 421210)
3	NAV1822322C92	KIT, O-Ring Includes Seal (1)421213 O-Ring (1)421212
4	NAV1818702C1	RETAINER, Piston Pin
5	NAV1818552C1	PIN
6	NAV1825585C2	PISTON (DT-466E for 195 - 210HP)
6	NAV1823313C1	PISTON (DT-466E for 230 - 250HP)
6	NAV1830375C1	PISTON (DT-466E)
6	NAV1825593C1	PISTON (530E Medium/Heavy Duty)
7	NAV1825689C92	KIT, Cylinder (w/o Rings) (DT-466E) Includes Piston (1)410023 Pin (1)410021 Liner (1)400004 Retainers (2)410003 O-Ring Kit (1)421210
7	NAV1824968C91	KIT, Cylinder (w/o Rings) (DT-466E) Includes Piston (1)410025 Pin (1)410021 Liner (1)400004 Retainers (2)410003 O-Ring Kit (1)421210
8	NAV1825547C93	KIT, Cylinder (w/ Rings) (530E Medium/Heavy Duty)
8	NAV1825690C93	KIT, Cylinder (w/ Rings) (DT-466E) Includes Piston (1)410023 Pin (1)410021 Liner (1)400004 Retainers (2)410003 O-Ring Kit (1)421210 Ring Set (1)405001
8	NAV1824966C94	KIT, Cylinder (w/ Rings) (DT-466E) Includes Piston (1)410025 Pin (1)410021 Liner (1)400004 Retainers (2)410003 O-Ring Kit (1)421210 Ring Set (1)405005

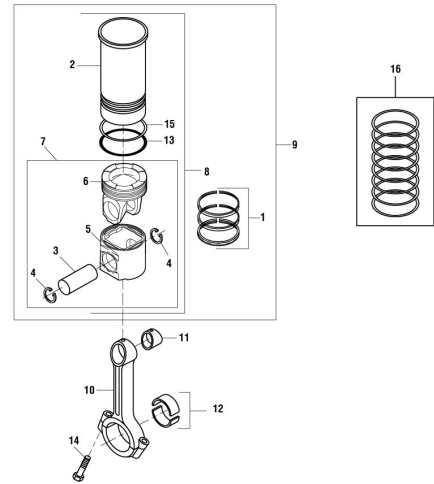
Continued



DT-466E & 530E 1993-1999 HEUI SECTION – PISTONS, CYLINDER KITS, ROD BEARINGS AND RING SETS – ONE PIECE PISTON

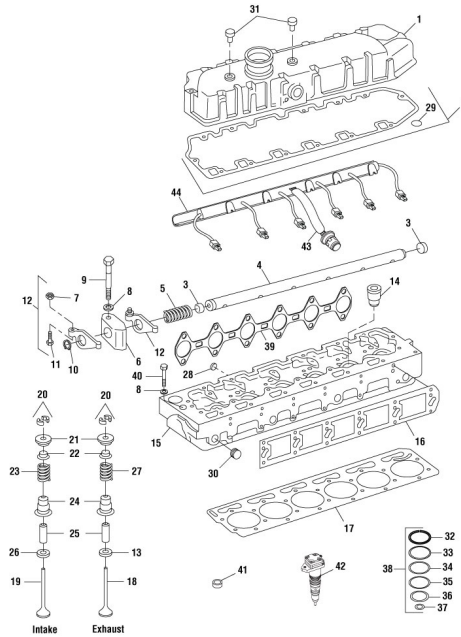
Continued

KEY	OEM REF	DESCRIPTION
8	NAV1830565C92	KIT, Cylinder (w/Rings) (DT-466E) Includes Piston Kit (1)410061 Ring Set (1)405005 Liner (1)400004 O-Ring Kit (1)421210
8	NAV1825547C96	KIT, Cylinder (w/ Rings) (530 for 250 & 275 HP) Includes Piston Kit (1)410044 Ring Set (1)405024 Liner Kit (1)400025
9	NAV1817537C1	SCREW, Connecting Rod
10	NAV1818597C91	ROD, Connecting
11	NAV1818598C1	BUSHING, Piston Pin
12	NAV1822389C91	BEARING, Rod (STD)
12	NAV1822486C91	BEARING, Rod (.010in)
12	NAV1822487C91	BEARING, Rod (.020in)
12	NAV1822488C91	BEARING, Rod (.030in)
13	NAV1842115C1	SEAL, Liner (Use w/ Liner 400003)
14	NAV1817633C2	O-Ring, Liner (Use w/ Liner 400004)
15	NAV1823120C1	SHIM, Liner (.002in)
15	NAV1823121C1	SHIM, Liner (.004in)
15	NAV1823122C1	SHIM, Liner (.010in)
15	NAV1823123C1	SHIM, Liner (.020in)
15	NAV1823124C1	SHIM, Liner (.032in)
16	NAV1823356C91	KIT, Shim Includes Shims (2)462031 (2)462032 (1)462033 (1)462034 (2)462035
17	N/A	KIT, Piston (530) Includes Piston (1)410043 Pin (1)410021 Retainers (2)410003
17	N/A	KIT, Piston (DT-466 for 195-210HP) Includes Piston (1)410023 Pin (1)410021 Retainers (2)410003
17	N/A	KIT, Piston (DT-466 for 230-250HP) Includes Piston (1)410025 Pin (1)410021 Retainers (2)410003
17	N/A	KIT, Piston (DT-466E) Includes Piston (1)410033 Pin (1)410021 Retainer (2)410003

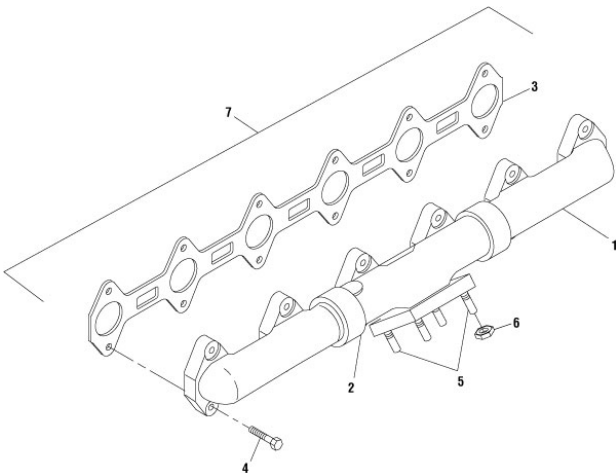


DT-466E & 530E 1993-1999 HEUI SECTION – PISTONS, CYLINDER KITS, ROD BEARINGS AND RING SETS – TWO PIECE PISTON

KEY	OEM REF	DESCRIPTION
1	NAV1830723C92	SET, Ring (530)
2	NAV1841326C1	LINER (530) (User Seal 421213)
3	NAV1818552C1	PIN
4	NAV1818702C1	RETAINER, Piston Pin
5	NAV1826414C1	SKIRT, Piston (530)
6	NAV1826412C1	CROWN, Piston (530)
7	N/A	KIT, Piston (530) Includes Crown (1)410038 Skirt (1)410039 Pin (1)410021 Retainers (2)410003
8	NAV1825555C95	KIT, Cylinder (w/o Rings) (530E for 300 & 330 HP) Includes Piston Kit (1)410040 Liner (1)400003 Seal (1)421213
9	NAV1825548C95	KIT, Cylinder (w/ Rings) (530E for 300 & 330 HP) Includes Piston Kit (1)410040 Ring Set (1)405024 Liner (1)400003 Seal (1)421213
10	NAV1818597C91	ROD, Connecting
11	NAV1818598C1	BUSHING, Piston Pin
12	NAV1822389C91	BEARING, Rod (STD)
12	NAV1822486C91	BEARING, Rod (.010in)
12	NAV1822487C91	BEARING, Rod (.020in)
12	NAV1822488C91	BEARING, Rod (.030in)
13	NAV1842115C1	SEAL, Liner (User w/ Liner 400003)
14	NAV1817537C1	SCREW, Connecting Rod
15	NAV1823120C1	SHIM, Liner (.002in)
15	NAV1823121C1	SHIM, Liner (.004in)
15	NAV1823122C1	SHIM, Liner (.010in)
15	NAV1823123C1	SHIM, Liner (.020in)
15	NAV1823124C1	SHIM, Liner (.032in)
16	NAV1823356C91	KIT, Shim Includes Shims (2)462031 (2)462032 (1)462033 (1)462034 (2)462035

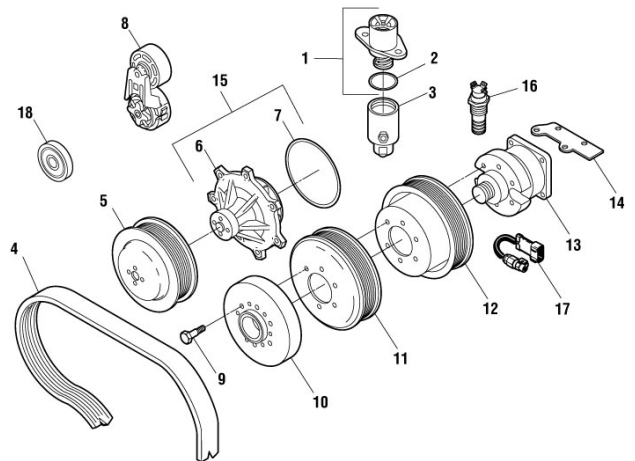

DT-466E & 530E 1993-1999 HEUI SECTION – CYLINDER HEAD COMPONENTS

KEY	OEM REF	DESCRIPTION	KEY	OEM REF	DESCRIPTION
1	NAV1824783C2	COVER, Intake Manifold	26	NAV1821902C1	INSERT, Intake Valve (.015in OS)
2	NAV1825602C91	KIT, Gasket ,Valve Cover/Intake Includes O-Ring (1)421216	27	NAV1825540C1	SPRING, Exhaust Valve
3	NAV291171C1	PLUG, Cup (9/16in NPT)	28	MAK49AX230	PLUG, Pipe (1/8in NPT)
4	NAV1822138C91	ASSEMBLY, Shaft (Rocker Arm) (Includes Plugs)	28	MAK49AX234Z	PLUG, Pipe (1/2in NPT)
5	NAV675105C1	SPRING, Shaft (Rocker Arm)	28	MAK49AX235	PLUG, Pipe (3/4in NPT)
6	NAV1814811C1	BRACKET, Shaft (Rocker Arm)	29	NAV1824908C1	O-RING, Cylinder
7	NAV1820923C1	NUT	30	MAK79AX71	PLUG, Cup (1-1/4in NPT)
8	NAV1814757C2	WASHER	31	NAV444613	PLUG (1/8in-27 NTP)
9	NAV1824955C2	BOLT (1993-1999) (M14 x 2 x 230mm)	32	NAV1817073C2	RING, Injector Backup
10	NAV24577R1	RING, Retaining	33	NAV1817074C1	RING, Injector (Upper Cushion)
11	NAV16067DA	SCREW	34	NAV1816000C1	O-RING, Injector (Upper)
12	NAV1823924C92	ASSEMBLY, Rocker Arm Includes Screws (12)442005 Nuts (12)1820923C1	35	NAV1834357C1	RING, Injector (Middle)
13	NAV1821903C3	INSERT, Exhaust Valve (STD)	36	NAV1814695C1	O-RING, Injector (Lower)
13	NAV1821904C3	INSERT, Exhaust Valve (.002in OS)	37	NAV1815378C2	SEAL, Injector
13	NAV1821905C3	INSERT, Exhaust Valve (.015in OS)	37	NAV1830317C1	SEAL, Injector (530)
14	NAV1818778C2	SLEEVE, Injector	38	NAV1833564C92	KIT, Injector Seal & Ring (6 req'd) Includes Seal (1)436025 Rings (1)442061 (1)421271 (1)421219 O-Rings (1)421218 (1)421217
14	NAV1833382C1	SLEEVE, Injector	38	NAV1830742C92	KIT, Injector O-Ring (530) (6 req'd) Includes O-Rings (1)421217 (1)421218 Rings (1)442061 (1)421271 (1)421219 Seal (1)436026
15	NAV1823882C93	ASSEMBLY, Cylinder Head	39	NAV1825436C1	GASKET, Exhaust (Round Port)
16	NAV1822577C1	GASKET, Fuel Manifold	40	NAV1824954C3	BOLT (M14 x 2 x 185mm)
17	NAV1817562C2	GASKET, Cylinder Head	40	NAV1824952C1	BOLT (M14 x 2 x 165mm, Hex head)
17	NAV1830189C2	GASKET, Cylinder Head (530)	41	PKR60VL-6	GROMMIT, Fuel Line
18	NAV1824840C1	VALVE, Exhaust	42	NAV1830741C93	ASSEMBLY, Injector
19	NAV1823875C1	VALVE, Intake	42	NAV2593597C92	ASSEMBLY, Injector
20	NAV1824644C1	LOCK, Valve	43	NAV1890310C91	HARNESS, Injector
21	NAV1824680C1	ROTATOR (w/ Bushing)	44	NAV1889905C91	HARNESS, Injector
22	NAV1824683C1	BUSHING, Rotator			
23	NAV677349C1	SPRING, Intake Valve			
24	NAV1823925C1	SEAL, Valve Stem			
25	NAV1824647C1	GUIDE,Valve (Finished)			
26	NAV1821900C1	INSERT, Intake Valve (STD)			
26	NAV1821901C1	INSERT, Intake Valve (.002in OS)			



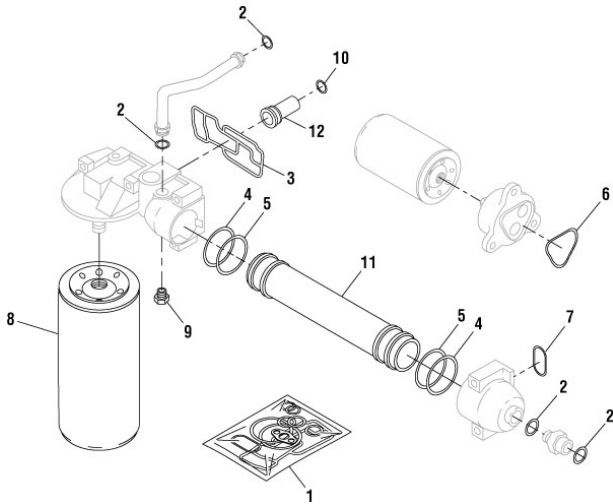
DT-466E & 530E 1993-1999 HEUI SECTION – EXHAUST MANIFOLD

KEY	OEM REF	DESCRIPTION
1	NAV1814149C2	MANIFOLD, Front & Rear
2	NAV1818561C4	MANIFOLD, Center
3	NAV1825436C1	GASKET, Exhaust (Round Port)
4	NAV1817830C1	BOLT, Exhaust Manifold (M12 x 1.75 x 35mm)
5	NAV1821642C3	STUD, Turbo (M10 x 1.25/1.50 x 45mm)
6	NAV1841574C2	NUT, Flanged Head (M10 x 1.25)
7	N/A	KIT, Exhaust Manifold Includes Manifolds (1)481130, (2)481131 Gasket (1)431250 (1)431210 Stud (4)440112 Nuts (4)440032 Bolts (12)440006



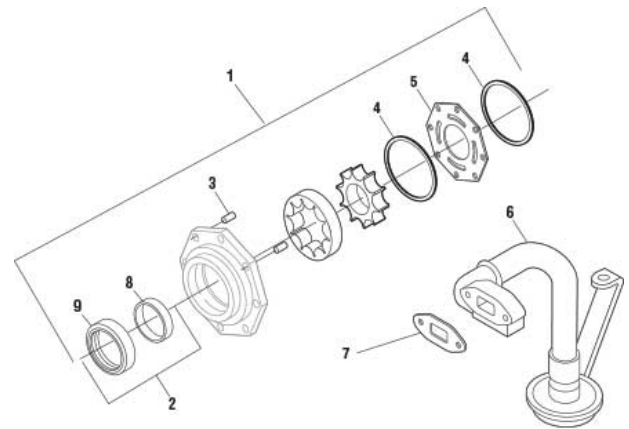
DT-466E & 530E 1993-1999 HEUI SECTION – WATER PUMP

KEY	OEM REF	DESCRIPTION
1	NAV1830256C93	KIT, Thermostat (190 deg.) (Non-vented) Includes O-Ring (1)421215
2	NAV1820951C1	O-RING, Thermostat
3	NAV1822111C91	HOUSING, Bypass
4	N/A	BELT (Listed in Miscellaneous Section)
5	NAV1817891C1	PULLEY, Water Pump
6	NAV1820300C8	ASSEMBLY, Water Pump
6	NAV1841764C2	ASSEMBLY, Water Pump
7	NAV1819099C1	O-RING, Water Pump
7	NAV1841348C1	O-RING, Water Pump
8	NAV1830033C1	TENSIONER, Belt
9	NAV1817956C1	BOLT (20mm)
9	NAV1817978C1	BOLT (35mm)
9	NAV1817959C1	BOLT (40mm)
10	NAV1820823C1	SPACER, Fan
11	NAV1820224C1	PULLEY, Drive
12	NAV1818607C1	PULLEY, Fan (1.2:1 Fan Ratio)
12	NAV1820308C1	PULLEY, Fan (1.08:1 Fan Ratio)
12	NAV1820309C1	PULLEY, Fan (1.3:1 Fan Ratio)
13	NAV1822050C91	BRACKET, Fan Mounting (15.1in Fan Center)
13	NAV1822051C91	BRACKET, Fan Mounting (18.3in Fan Center)
14	NAV1822016C1	BRACKET, Front Cover Support
15	NAV1830606C94	KIT, Water Pump (7 Bolt mount) Includes Water Pump (1)481810 O-Ring (1)421205
15	NAV1842664C92	KIT, Water Pump (5 Bolt mount) Includes Water Pump (1)481811 O-Ring (1)421242
16	NAV1684560C92	SWITCH, Fan Clutch (205 deg;)
16	NAV1685132C92	SWITCH, Fan Clutch (Cummins Application)
17	NAV1689785C91	VALVE, Air Control
18	NAV1824389C1	BEARING, Pulley (Idler Pulley)



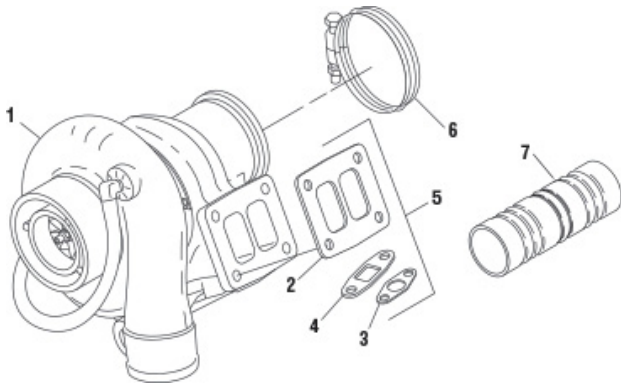
DT-466E & 530E 1993-1999 HEUI SECTION – OIL COOLER AND COMPONENTS – OIL COOLER

KEY	OEM REF	DESCRIPTION
1	NAV1823182C95	KIT, Gasket, Oil Cooler Mounting Includes Gaskets (1)431270 (1)431208 O-Rings (2)421228 (2)421227 (4)421226 (1)421224 Seal (1)421241 Sleeve (1)MSL-4134-006
2	NAV1821098C2	O-RING
3	NAV1817849C3	GASKET
4	NAV1807563C1	O-RING
5	NAV1804414C1	O-RING
6	NAV1820353C1	RING
7	NAV1830362C1	SEAL
8	NAV1833121C1	FILTER, Oil
9	NAV444618	PLUG
10	NAV1820907C2	O-RING
11	NAV1815904C2	COOLER, Oil Includes Oil Cooler Gasket Kit (1) 431271
12	NAV1815239C3	VALVE, Regulator



DT-466E & 530E 1993-1999 HEUI SECTION – OIL PUMP

KEY	OEM REF	DESCRIPTION
1	NAV1822326C91	PUMP, Oil (DT-466)
1	NAV1822390C92	PUMP, Oil (530)
2	NAV690437C93	KIT, Front Seal Includes Seal (1)436006 Wear Rings (1)ERG-3769 (1)436050
2	NAV1833096C94	KIT, Front Seal (530E) Includes Seal (1)436031 Wear Ring (1)436032
3	NAV680482C1	PIN, Dowel
4	NAV1817862C1	RING, Pump Housing
5	NAV1817847C1	PLATE, Pump Housing
6	NAV1820311C2	TUBE, Oil Pick-up (Front Sump)
6	NAV1820225C93	TUBE, Oil Pick-up (Rear Sump)
6	NAV1826302C1	TUBE, Oil Pick-up (Front Sump) (For Oil Pan 1826305C91)
7	NAV1816722C2	GASKET, Oil Pick-up
8	NAV1827176C91	RING, Wear (530E)
8	NAV1827174C1	RING, Wear (.775in wide)
8	NAV675861C2	RING, Wear (.687in wide)
9	NAV1806380C91	SEAL, Front (NSS - Sold in Kit 436005)



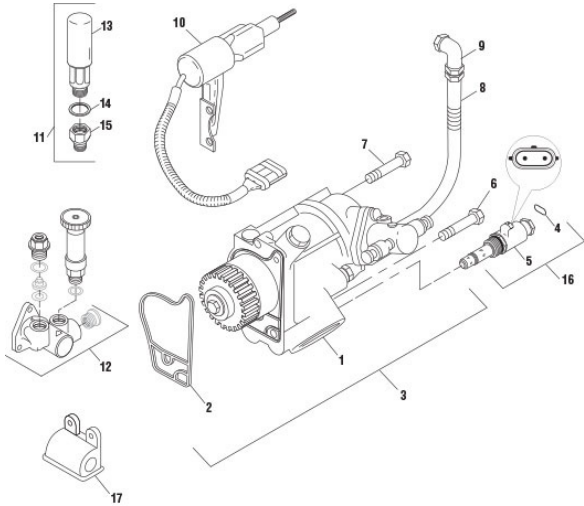
**DT-466E & 530E 1993-1999 HEUI SECTION –
TURBOCHARGER**

KEY	OEM REF	DESCRIPTION
1	NAV1830497C93	TURBOCHARGER (w/ Wastegate) Includes Clamp 442130
2	CAT1P0451	GASKET, Turbo Mounting
3	NAV253660R2	GASKET, Turbo Supply
3	NAV1820936C1	GASKET, Turbo Drain
4	NAV670079C2	GASKET, Lube
5	N/A	KIT, Turbo Installation Gasket Includes Gaskets (1)431208 (1)431209 (1)331356 O-Rings(1)431247 (1)421226
6	NAV3553803C2	CLAMP, Turbo Outlet (3 5/8in ID)
7	NAV3539944C2	HOSE, Inlet (Charge Air Cold Side) (4in)



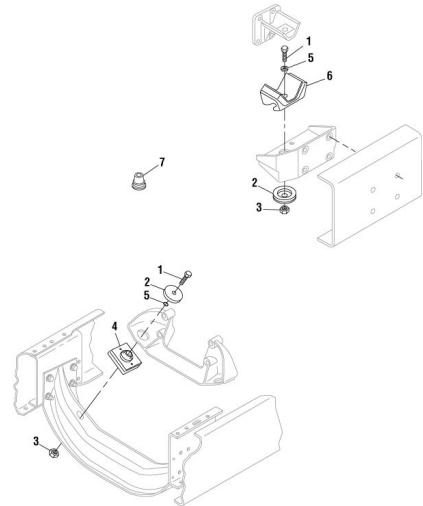
**DT-466E & 530E 1993-1999 HEUI SECTION –
FUEL SUPPLY PUMP**

KEY	OEM REF	DESCRIPTION
1	RBB0440008174	PUMP, Fuel Supply (w/ Gasket)
1	NAV1821232C92	PUMP, Fuel Supply
2	RBB1411073006	GASKET, Supply Pump



DT-466E & 530E 1993-1999 HEUI SECTION – HIGH PRESSURE PUMP

KEY	OEM REF	DESCRIPTION
1	NAV5010068R91	PUMP (NSS in 480226)
2	NAV1825685C1	SEAL, Pump
3	NAV1825681C91	PUMP, High Pressure Assembly (5.3 cc)
3	NAV1890353C91	PUMP, High Pressure Assembly
3	NAV1842722C91	PUMP, High Pressure Assembly
4	NAV1807263C1	GASKET, Connector
5	NAV1833798	REGULATOR, Fuel
5	NAV1841086C91	REGULATOR, Fuel
6	NAV1818726C1	BOLT (M8 x 70)
7	NAV1824752C1	BOLT (M8 x 55)
8	NAV1829802C1	HOSE, High Pressure
9	NAV1825563C91	FITTING, Elbow O-Ring Boss
10	NAV1813867C1	SOLENOID, Shutoff
11	NAV1825473C93	KIT, Pump Includes Pump (1)EPP-3757 Washer (1)EWA-2450 Fitting (1)442020
12	NAV1812568C91	PUMP, Fuel Supply
13	RBB2447222025	PUMP, Primer
14	MAK122SB115	WASHER
15	NAV1824924C1	FITTING
16	NAV1841217C91	KIT, Fuel Regulator Includes Pump (1)EPP-3757 Washer (1)EWA-2450 Fitting (1)442020
17	NAV2036081C1	FITTING, Fuel Line (1/2NPT All Ports)



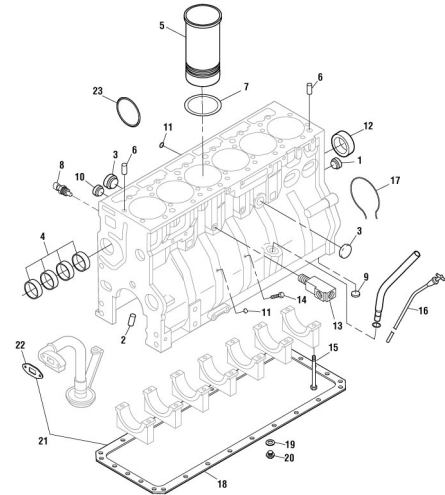
DT-466E & 530E 1993-1999 HEUI SECTION – FRONT & REAR MOTOR MOUNTS

KEY	OEM REF	DESCRIPTION
1	NAV414084C1	SCREW (5/8-18 x 3-1/2in flanged hex head)
2	NAV1664726C2	MOUNT, Upper Front/Rear Engine
3	NAV414089C1	NUT
4	NAV1664723C3	MOUNT, Lower Front
5	NAV28425R1	WASHER (.656in ID x 1.50in OD x .188 thk)
6	NAV1664728C1	MOUNT, Upper Rear
6	NAV1664729C7	MOUNT, ENGINE
7	NAV503401C2	INSULATOR, Radiator

NO IMAGE AVAILABLE

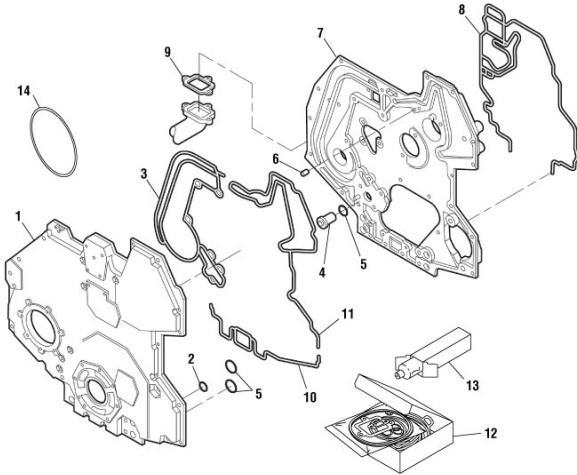
**DT-466E & 530E 1993-1999 HEUI SECTION –
GASKET KITS**

KEY	OEM REF	DESCRIPTION
1	NAV1824970C95	KIT, Upper Gasket Includes Gaskets (1)431250 (1)431210 (1)431208 (1)431257 (1)431248 (1)431247 Gasket Kit (1)431254 O-Ring (1)421215 Seal Kits (6)421220
1	NAV1830721C94	KIT, Upper Gasket (530) Includes Gaskets (1)431250 (1)431210 (1)431208 (1)431247 (1)431281 (1)431257 (1)431254 O-Ring (1)421215 Seals (6)421222
2	NAV1824985C99	KIT, Block Accessory Gasket Includes Gaskets (1)431270 (1)431272 (1)431252 Gasket Kit (1)431263 Rings (1)421270 (2)421226 (1)321263 Seal (1)421241



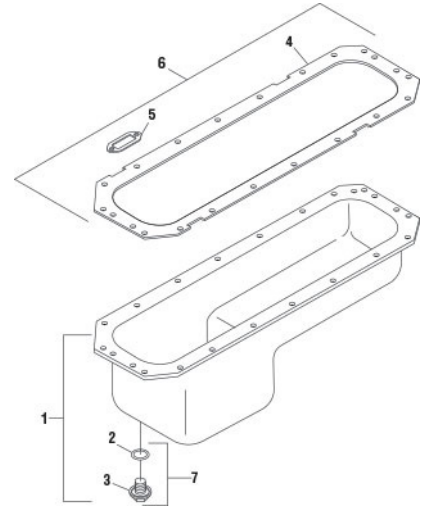
**DT-466E & 530E 2000-2003 – CYLINDER BLOCK
COMPONENTS**

KEY	OEM REF	DESCRIPTION
1	MAK79AX63	PLUG (13/16in)
2	NAV1830360C1	TUBE, Oil Cooling
3	MAK79AX71	PLUG (1-1/4in)
4	NAV680117C3	SET, Camshaft Bearing
5	NAV1841326C1	LINER, Cylinder
6	NAV684902C1	DOWEL, Bushing
7	NAV1842115C1	SEAL, Liner
8	NAV1675751C1	SENSOR, Temperature (2 pin)
9	NAV327411R1	PLUG (5/8in)
10	NAV444618	PLUG (1/4in)
11	MAK49AX230	PLUG (1/8in NPT)
12	NAV682444C1	RING, Seal (Rear)
13	NAV1830487C1	TEE, Auto Pipe
14	NAV1838845C1	STUD
15	NAV1827078C1	BOLT, Flanged (15mm x 2.0 x 144mm)
16	NAV1820953C2	GAUGE, Oil Level (Rear Sump)
17	NAV1841974C1	GASKET, Rear Seal
18	NAV1826587C1	GASKET, Oil Pan
19	FUL21208	O-RING
20	NAV1825504C1	PLUG, Drain
21	N/A	KIT, Oil Pan Gasket Includes Gaskets (1)431252 (1)431253
22	NAV1816722C2	GASKET, Oil Pick-up
23	CAT5E8771	O-RING/Air Compressor Mounting



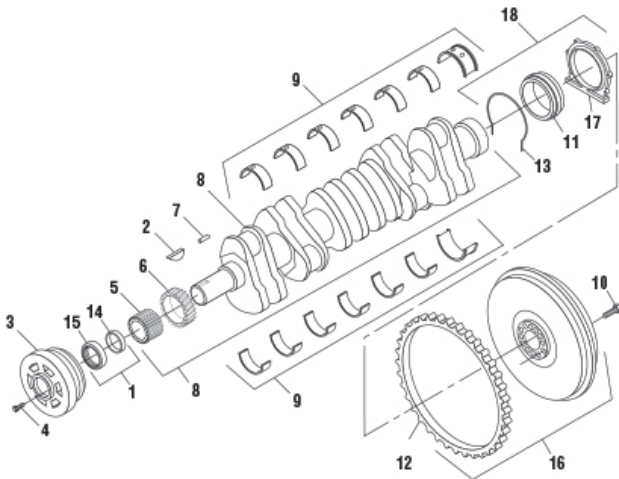
DT-466E & 530E 2000-2003 SECTION – GEAR COVER AND COMPONENTS

KEY	OEM REF	DESCRIPTION
1	NAV1820465C4	COVER, Front Timing
2	CUM156545	O-RING
3	NAV1818717C4	GASKET, Molded
4	NAV1833386C1	VALVE, Relief
5	NAV1820907C2	O-RING
6	NAV1820813C1	DOWEL
7	NAV1820218C91	HOUSING, Gear (For Serial Numbers 998705 & Below)
7	NAV1826335C92	HOUSING, Gear (For Serial Numbers 998706 & Above)
8	NAV1820416C3	GASKET, Molded
9	NAV1817974C1	GASKET, Water Elbow
10	NAV1818716C3	GASKET, Molded
11	NAV1820920C1	GASKET, Molded
12	NAV1824984C92	KIT, Front Cover Gasket Includes Gaskets (1)431260 (1)431259 (1)431262 (1)431261 (1)431253 (1)431258 (1)131294 Ring (2)421273 O-Rings (3)421224 (1)421205
13	MAK342SX32	SEALANT
14	CAT5E8771	O-RING, Air Compressor Mounting



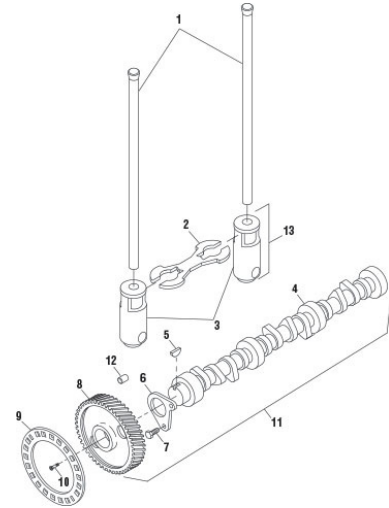
DT-466E & 530E 2000 -2003 SECTION – OIL PAN

KEY	OEM REF	DESCRIPTION
1	NAV1823740C93	PAN, Oil
2	FUL21208	O-RING (1.171in x 1.310in)
3	NAV1825504C1	PLUG, Drain
4	NAV1826587C1	GASKET, Oil Pan
5	NAV1816722C2	GASKET, Oil Pick-up
6	N/A	KIT, Oil Pan Gasket Includes Gaskets (1)431252 (1)431253
7	NAV1872269C91	KIT, Drain Plug Includes Plug (1)442030 O-Ring (1)EF30260



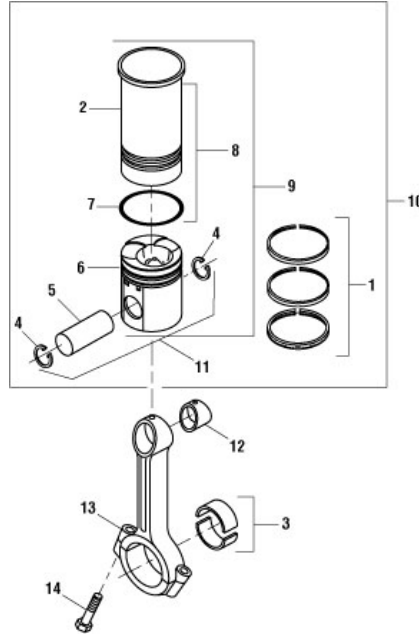
DT-466E & 530E 2000-2003 SECTION – CRANKSHAFT

KEY	OEM REF	DESCRIPTION
1	NAV690437C93	KIT,Front Seal Includes Seal (1)436006 Wear Rings (1)ERG-3769 (1)436050
1	NAV1833096C94	KIT,Front Seal (530E) Includes Seal (1)436031 Wear Ring (1)436032
2	NAV691044C1	KEY,Damper
3	NAV1820855C92	DAMPER
3	NAV1820856C2	DAMPER(DT530)
3	NAV1830736C91	ASSEMBLY,Damper(DT530) Includes Damper (1)480003 Shield/Wear Ring (1)436032
4	NAV1823929C1	SCREW (M12 x 1.25mm)
5	NAV675364C1	HUB,Oil Pump Drive
6	NAV1885883C1	GEAR,Crankshaft
7	NAV17135R1	PIN
8	NAV1830597C92	CRANKSHAFT
9	N/A	SET,Main Bearing (STD) Includes Bearings (6)470140 (1)470145
9	N/A	SET,Main Bearing (.010) Includes Bearings (6)470141 91)470146
9	N/A	SET,Main Bearing (.020) Includes Bearings (6)470142 (1)470147
9	N/A	SET,Main Bearing(.030") Includes Bearings (6)470143 (1)470148
10	NAV1823929C1	SCREW (M12 x 1.255mm)
11	NAV1817867C92	SEAL,Rear
12	NAV1815440C1	GEAR,Ring (Used w/ 460046 Flywheel Assembly 138 Teeth)
13	NAV1841974C1	GASKET,Seal Housing
14	NAV1827176C91	RING,Wear (530E)
14	NAV1827174C1	RING,Wear (.775in wide)
14	NAV675861C2	RING,Wear (.687in wide)
15	NAV1806380C91	SEAL,Front (NSS-Sold in Kit 436005)
15	NAV1827177C1	SEAL,Oil(530E)
16	NAV1821915C91	FLYWHEEL,Assembly (14in dia., Single Disc w/ 138 Tooth Ring Gear)
17	NAV1815699C3	RETAINER,Housing
18	NAV1841139C93	KIT,Rear Seal Includes Retainer (1)441450 Seal (1)436015 Gasket (1)431272



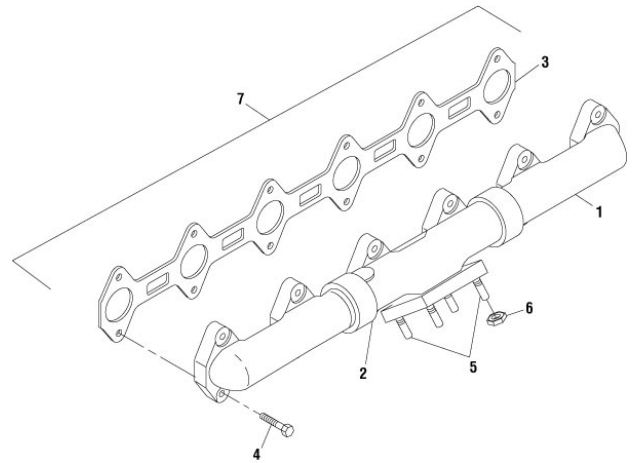
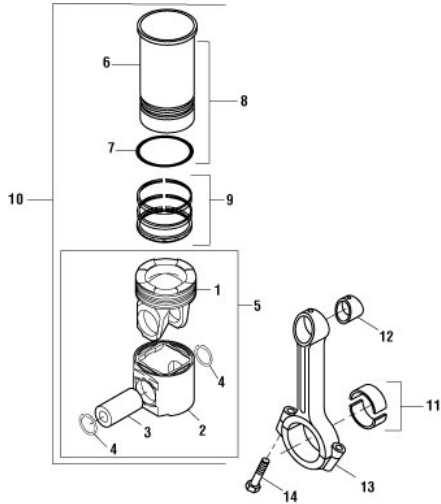
DT-466E & 530E 2000-2003 SECTION – CAMSHAFT

KEY	OEM REF	DESCRIPTION
1	NAV1821962C2	PUSHROD
2	NAV1813892C1	GUIDE, Roller Lifter
3	NAV1809570C1	LIFTER, Roller
4	NAV1824747C3	CAMSHAFT
5	MAK745-232013	KEY
6	NAV1817545C1	WASHER, Camshaft Thrust
7	NAV1817956C1	BOLT, Flange (M8 x 20mm)
8	NAV1823944C92	GEAR, Camshaft w/ Pins
8	NAV1821997C3	GEAR, Camshaft
9	NAV1824723C1	DISC, Timing Sensor
10	NAV1825464C1	SCREW, Flat Head (M5 x 12)
11	NAV1830613C93	KIT, Camshaft Includes Camshaft (1)490012 Key (1)DKY-3200 Thrustwasher (1)480021 Bolts (2)440014 Gear (1)480007
12	NAV19841R1	PIN, Dowel (1/4in dia x 1/2in lg)
13	NAV1894236C91	KIT, Lifter Includes Lifter (12) 490063 Lifter Guide (12) 490041



**DT-466E & 530E 2000-2003 SECTION – PISTONS,
CYLINDER KITS, ROD BEARINGS AND RING SETS -
ONE PIECE PISTON**

KEY	OEM REF	DESCRIPTION	KEY	OEM REF	DESCRIPTION
1	NAV1830723C92	SET, Ring	10	NAV1830709C96	KIT, Cylinder (w/ Rings) (DT 530) Includes Piston (1)410026 Pin (1)410031 Retainers (2)410003 Liners (1)400003 Seal (2)421213 Ring Set (1)405024
1	NAV1830724C92	SET, Ring	11	N/A	KIT, Piston (DT530) Includes Piston (1)410026 Pin (1)410031 Retainers (2)410003
2	NAV1841326C1	LINER	11	N/A	KIT, Piston Includes Piston (1)410030 Pins (1)410031 Retainers (2)410003
3	NAV1836020C91	BEARING, Rod (STD)	11	N/A	KIT, Piston Includes Piston (1)410032 Pins (1)410031 Retainers (2)410003
3	NAV1833378C91	BEARING, Rod (.010)	12	NAV1818598C1	BUSHING, Rod
3	NAV1833380C91	BEARING, Rod (.020)	12	NAV1872733C2	BUSHING, Rod
3	NAV1833381C91	BEARING, Rod (.030)	13	NAV1841634C92	ROD, Connecting
4	NAV1818702C1	RETAINER, Piston Pin	13	NAV1873875C95	ROD, Connecting (Lightweight)
5	NAV1830060C1	PIN, Piston	14	NAV1840363C1	SCREW, Connecting Rod (M12 x 1.25 x 60mm)
6	NAV1830532C3	PISTON (DT 530) (Double Keystone)			
6	NAV1836321C1	PISTON			
6	NAV1833092C1	PISTON			
6	NAV1842227C1	PISTON			
7	NAV1842115C1	SEAL, Liner			
8	NAV1842553C91	KIT, Liner Includes Liner (1)400003 Seal (1)421213			
9	NAV1836194C93	KIT, Cylinder (w/o Rings) Includes Piston Kit (1)410059 Liner (1)400003 Seal (1)421213			
9	NAV1836298C91	KIT, Cylinder (w/o Rings) Includes Piston Kit (1)410060 Liner (1)400003 Seal (1)421213			
10	NAV1836192C92	KIT, Cylinder (w/ Rings) Includes Piston (1)410030 Pin (1)410031 Retainers (2)410003 Liner (1)400003 Seal (1)421213 Ring Set (1)405025			
10	NAV1836299C94	KIT, Cylinder (w/ Rings) Includes Piston Kit (1)410060 Ring Set (1)405024 Liner (1)400003 Seal (1)421213			

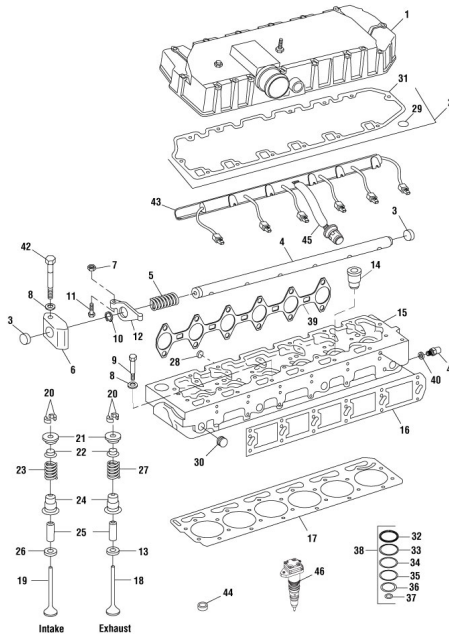


DT-466E & 530E 2000-2003 SECTION – PISTONS, CYLINDER KITS, ROD BEARINGS AND RING SETS – TWO PIECE PISTON

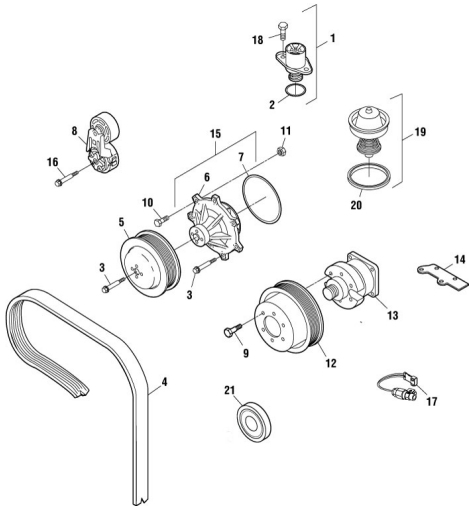
DT-466E & 530E 2000-2003 SECTION – EXHAUST MANIFOLD

KEY	OEM REF	DESCRIPTION
1	NAV1836320C2	CROWN (DT 530)
1	N/A	CROWN, Piston (w/o Bushings)
2	NAV1833433C1	SKIRT (DT 530)
3	NAV1830060C1	PIN, Piston
4	NAV1818702C1	RETAINER, Piston Pin
5	N/A	KIT, Piston (DT 530) Includes Crown (1)410035 Skirt (1)410036 Pin (1)410031 Retainers (2)410003
5	N/A	KIT, Piston (DT530) Includes Crown (1)410075 Skirt (1)410036 Pin (1)410031 Retainers (2)410003
6	NAV1841326C1	LINER
7	NAV1842115C1	SEAL, Liner
8	NAV1842553C91	KIT, Liner Includes Liner (1)400003 Seal (1)421213
9	NAV1830724C92	SET, Ring
10	NAV1841896C96	KIT, Cylinder (w/ Rings) Includes Piston Kit (1)410037 Ring Set (1)405025 Liner (1)400003 Seal (1)421213
10	N/A	KIT, Cylinder (DT 530E) Includes Piston Kit (1)410077 Ring Set (1)405025 Liner Kit (1)400025
11	NAV1836020C91	BEARING, Rod (STD)
11	NAV1833378C91	BEARING, Rod (.010)
11	NAV1833380C91	BEARING, Rod (.020)
11	NAV1833381C91	BEARING, Rod (.030)
12	NAV1818598C1	BUSHING, Rod
12	NAV1872733C2	BUSHING, Rod (Used w/Rod 470230)
13	NAV1841634C92	ROD, Connecting
13	NAV1873875C95	ROD, Connecting (Lightweight)
14	NAV1840363C1	SCREW, Connecting Rod (M12 x 1.25 x 60mm)

KEY	OEM REF	DESCRIPTION
1	NAV1814149C2	MANIFOLD, Front & Rear
2	NAV1818561C4	MANIFOLD, Center
3	NAV1825436C1	GASKET, Exhaust (Round Port)
4	NAV1817830C1	BOLT, Exhaust Manifold (M12 x 1.75 x 35mm)
5	NAV1821642C3	STUD, Turbo (M10 x 1.25/1.50 x 45mm)
6	NAV1841574C2	NUT, Flanged Head (M10 x 1.25)
7	N/A	KIT, Exhaust Manifold Includes Manifolds (1)481130, (2)481131 Gasket (1)431250 (1)431210 Studs (4)440112 Nuts (4)440032 Bolts (12)440006

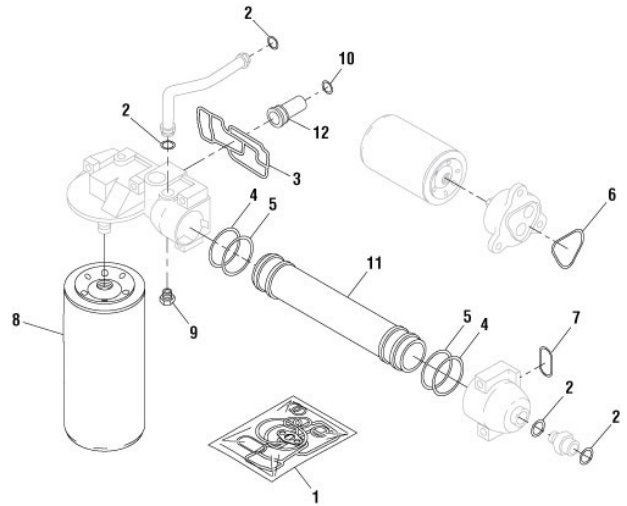

DT-466E & 530E 2000-2003 SECTION – CYLINDER HEAD COMPONENTS

KEY	OEM REF	DESCRIPTION	KEY	OEM REF	DESCRIPTION
1	NAV1824783C2	COVER, Intake Manifold	28	MAK49AX234Z	PLUG, Pipe (1/2in NPT)
2	NAV1825602C91	KIT, Gasket, Valve Cover/Intake	28	MAK49AX235	PLUG, Pipe (3/4in NPT)
3	MAK79AX63	PLUG, Cup (13/16in)	29	NAV1824908C1	O-RING, Cylinder
4	NAV1822138C91	ASSEMBLY, Shaft (Rocker Arm) Includes Plugs	30	MAK79AX71	PLUG, Cup (1-1/4in NPT)
5	NAV675105C1	SPRING, Shaft (Rocker Arm)	30	NAV347822R1	PLUG, CUP (5/8in OD)
6	NAV1814811C1	BRACKET, Shaft (Rocker Arm)	31	NAV1820909C1	GASKET, Valve Cover
7	NAV1820923C1	NUT	32	NAV1817073C2	RING, Injector Backup
8	NAV1814757C2	WASHER (26 Req'd)	33	NAV1817074C1	RING, Injector (Upper Cushion)
9	NAV1824954C3	BOLT (M14 x 2 x 185mm) (20 Req'd)	34	NAV1816000C1	O-RING, Injector (Upper)
10	NAV454319R	RING, Retaining	35	NAV1834357C1	RING, Injector (Middle)
11	NAV16067DA	SCREW	36	NAV1814695C1	O-RING, Injector (Lower)
12	NAV1827195C95	ASSEMBLY, Rocker Arm	37	NAV1830317C1	SEAL, Injector
13	NAV1830711C1	SEAT, Exhaust Valve (STD)	38	NAV1830742C92	KIT, Injector Seal & Ring (6 req'd) Includes O-Rings (1)421217 (1)421218 Rings (1)442061 (1)421271 (1)421219 Seal (1)436026
13	NAV1830712C1	SEAT, Exhaust Valve (.002in OS)	39	NAV1825436C1	GASKET, Exhaust (Round Port)
13	NAV1830713C1	SEAT, Exhaust Valve (.015in OS)	40	NAV691273C1	WASHER, Copper
14	NAV1833382C1	SLEEVE, Injector (Stainless)	40	NAV1841622C1	SEAL, Regulator
15	NAV1830346C95	ASSEMBLY, Cylinder Head (Reman)	41	NAV1825511C1	VALVE, Fuel Regulator
16	NAV1822577C1	GASKET, Fuel/Oil Manifold	42	NAV1824955C2	BOLT, Rocker Stand (M14 x 2 x 230mm) (6)
17	NAV1830327C2	GASKET, Cylinder Head	43	NAV1889905C91	HARNES, Injector
17	NAV1830189C2	GASKET, Cylinder Head (530)	44	PKR60VL-6	GROMMET, Fuel Lines
18	NAV1824840C1	VALVE, Exhaust	45	NAV1890310C91	HARNES, Injector (Wire Harness Only)
19	NAV1826471C1	VALVE, Intake	46	NAV1830741C93	ASSEMBLY, Injector
20	NAV1824644C1	LOCK, Valve	46	NAV2593597C92	ASSEMBLY, Injector
21	NAV1824680C1	ROTATOR (w/ Bushing)			
22	NAV1824683C1	BUSHING, Rotator			
23	NAV677349C1	SPRING, Intake Valve			
24	NAV1823925C1	SEAL, Valve Stem			
25	NAV1824647C1	GUIDE, Valve (Finished)			
26	NAV1827121C2	SEAT, Intake Valve (STD)			
26	NAV1830310C2	SEAT, Intake Valve (.002in OS)			
26	NAV1830311C2	SEAT, Intake Valve (.015in OS)			
27	NAV1825540C1	SPRING, Exhaust Valve			
28	MAK49AX230	PLUG, Pipe (1/8in NPT)			



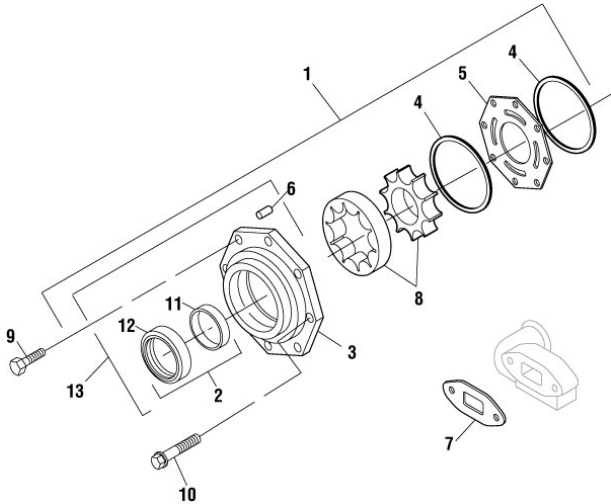
DT-466E & 530E 2000 - 2003 SECTION – WATER PUMP

KEY	OEM REF	DESCRIPTION
1	NAV1830256C93	KIT, Thermostat (190 deg.) (Non-vented) Includes O-Ring (1)421215
2	NAV1820951C1	O-RING, Thermostat
3	NAV1817810C1	BOLT (M6 x 12)
4	N/A	BELT (List in Miscellaneous Section)
5	NAV1817891C1	PULLEY, Water Pump
6	NAV673162C94	ASSEMBLY, Water Pump (Agricultural)
6	NAV1820300C8	ASSEMBLY, Water Pump
6	NAV1841764C2	ASSEMBLY, Water Pump
7	NAV1819099C1	O-RING, Water Pump
7	NAV1841348C1	O-RING, Water Pump
8	NAV1830033C1	TENSIONER, Belt
9	NAV1817956C1	BOLT, Flanged (M8 x 20 mm)
9	NAV1817978C1	BOLT (35mm)
9	NAV1817959C1	BOLT (40mm)
10	NAV1817811C1	BOLT (M8 x 60)
11	MAK191AM2	NUT, Hex Flanged (M8 x 1.25)
12	NAV1818607C1	PULLEY, Fan (1.2:1 Fan Ratio)
12	NAV1820308C1	PULLEY, Fan (1.08:1 Fan Ration)
12	NAV1820309C1	PULLEY, Fan (1.3:1 Fan Ratio)
13	NAV1822050C91	BRACKET, Fan Mounting (15.1in Fan Center)
13	NAV1822051C91	BRACKET, Fan Mounting (18.3in Fan Center)
14	NAV1822016C1	BRACKET, Front Cover Support
15	NAV1830606C94	KIT, Water Pump Includes Water Pump (1)481810 O-Ring (1)421205
15	NAV1842664C92	KIT, Water Pump Includes Water Pump (1)481811 O-Ring (1)421242
16	NAV1817993C1	BOLT (M10 x 1.5-6G x 80mm)
17	NAV1689785C91	VALVE, Air Control
18	NAV1817812C1	BOLT (M8 x 16mm)
19	NAV1842130C1	KIT, Thermostat (190°) Includes Thermostat (1)481835 Seal (1)436012
20	NAV1841771C1	SEAL, Thermostat
21	NAV1824389C1	BEARING, Pulley (Idler Pulley)



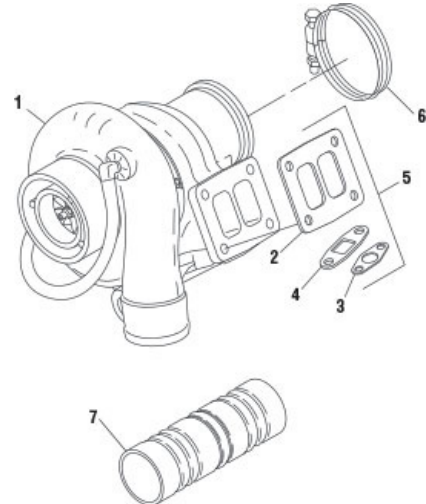
DT-466E & 530E 2000-2003 SECTION – OIL COOLER

KEY	OEM REF	DESCRIPTION
1	NAV1823182C95	KIT, Gasket, Oil Cooler Mounting Includes Gaskets (1)431270 (1)431208 (1)431338 (1)431339 O-Rings (2)421228 (2)421227 (4)421226 (1)421224 Seal (1)421241 Sleeve (1)MSL-4134-006
2	NAV1821098C2	O-RING
3	NAV1817849C3	GASKET
4	NAV1807563C1	O-RING
5	NAV1804414C1	O-RING
6	NAV1820353C1	RING
7	NAV1830362C1	SEAL
8	NAV1833121C1	FILTER, Oil
9	NAV444618	PLUG
10	NAV1820907C2	O-RING
11	NAV1815904C2	COOLER, Oil Includes Oil Cooler (1) 431271 Gasket Kit
12	NAV1815239C3	VALVE, REG.



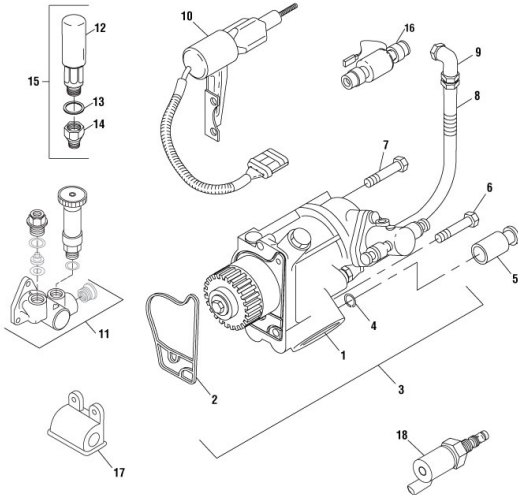
DT-466E & 530E 2000-2003 SECTION – OIL PUMP

KEY	OEM REF	DESCRIPTION
1	NAV1833357C95	PUMP, Oil (530E)
1	NAV1833356C95	PUMP, Oil
2	NAV690437C93	KIT, Front Seal (466E) Includes Seal (1)436006 Wear Rings (1)ERG-3769 (1)436050
2	NAV1833096C94	KIT, Front Seal (530E) Includes Seal (1)436031 Wear Ring (1)436032
3	NAV1830468C3	HOUSING, Lube Pump
4	NAV1817862C1	RING, Pump Housing
5	NAV1827400C1	PLATE, Lube Pump
6	NAV680482C1	PIN, Dowel
7	NAV1816722C2	GASKET, Oil Pick-up
8	NAV1830366C91	ROTOR, Assembly
8	NAV1827397C91	ROTOR, Assembly (Used w/441205 Oil Pump)
9	NAV1817859C1	BOLT (M8 x 1.25 x 60mm)
10	NAV1817957C1	BOLT, Flange (M8 x 25mm)
11	NAV1827176C91	RING, Wear (530E)
11	NAV1827174C1	RING, Wear (.775in wide)
11	NAV675861C2	RING, Wear (.687in wide)
12	NAV1806380C91	SEAL, Front (NSS - Sold in Kit 436005)
12	NAV1827177C1	OIL, Seal (530E)
13	NAV1827476C94	ASSEMBLY, Oil Pump Housing Includes Dowel Pin (1)442071 Front Seal (1)43005



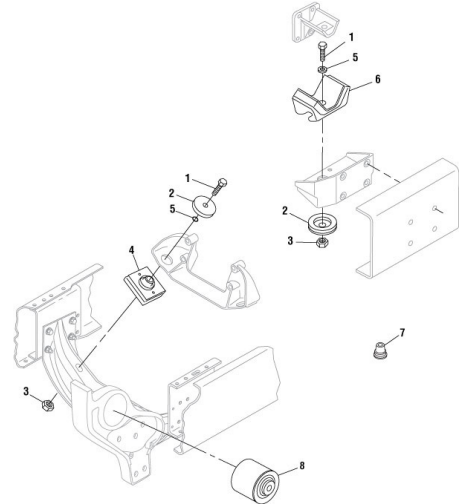
DT 466E & 530E 2000-2003 SECTION – TURBOCHARGER

KEY	OEM REF	DESCRIPTION
1	NAV1842337C95	TURBOCHARGER (w/ Wastegate)
1	NAV1842337C95R	TURBOCHARGER (Reman)
1	NAV1842339C95	TURBOCHARGER (w/ Wastegate)
1	NAV1842339C95R	TURBOCHARGER (Reman)
1	NAV1825406C92	TURBOCHARGER (w/ Wastegate)
1	NAV1830497C93	TURBOCHARGER (w/ Wastegate) Includes Clamp 442130
2	CAT1P0451	GASKET, Turbo Mounting
2	NAV1836474C2	GASKET, Turbo Mounting
3	NAV253660R2	GASKET, Turbo Supply
4	NAV670079C2	GASKET, Lube
5	N/A	KIT, Turbo Installation Gasket Includes Gaskets (1)431208 (1)431209 (1)331356 O-Rings (1)431247 (1)421226
6	NAV3553803C2	CLAMP, Turbo Outlet (3 5/8in ID)
7	NAV3539944C2	HOSE, Inlet (Charge Air Cold Side) (4in)



DT-466E & 530E 2000-2003 SECTION – HIGH PRESSURE PUMP

KEY	OEM REF	DESCRIPTION
1	NAV5010068R91	PUMP (NSS in Pump 480226)
2	NAV1825685C1	SEAL, Pump
3	NAV1883888C91	PUMP, High Pressure Assembly (12 cc)
3	NAV1842721C91	PUMP, High Pressure Assembly (5.3 cc) (Reman)
3	NAV1890353C91	PUMP, High Pressure Assembly
3	NAV1842722C91	PUMP, High Pressure Assembly (6.5cc) (Reman)
4	NAV1807263C1	GASKET, Connector
5	NAV1841217C91	KIT, Fuel Regulator Includes Regulator (1) Gasket (1)431300
6	NAV1818726C1	BOLT (M8 x 70)
7	NAV1824752C1	BOLT (M8 x 55)
8	NAV1829802C1	HOSE, High Pressure
9	NAV1825563	FITTING, Elbow O-Ring Boss
10	NAV1813867C1	SOLENOID, Shutoff
11	NAV1812568C91	PUMP, Fuel Supply
12	RBB2447222025	PUMP, Primer
13	MAK122SB115	WASHER
14	NAV1824924C1	FITTING
15	NAV1825473C93	KIT, Pump Includes Pump (1) EPP-3757 Washer (1)EWA-2450 Fitting (1)442020
17	NAV2036081C1	FITTING, Fuel Line (1/2NPT All Ports)
18	NAV1878571C95	KIT, Regulator



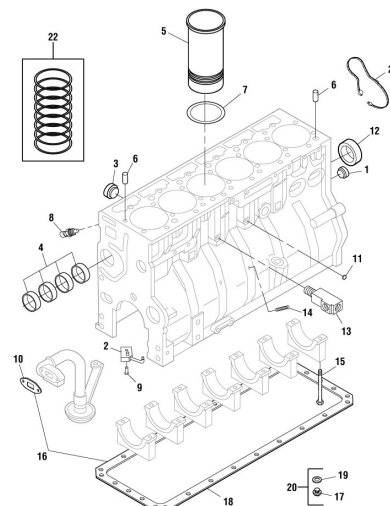
DT-466E & 530E 2000-2003 SECTION – FRONT AND REAR MOTOR MOUNTS

KEY	OEM REF	DESCRIPTION
1	NAV414084C1	SCREW (5/8-18 x 3-1/2in flanged hex head)
2	NAV1664726C2	MOUNT, Upper Front/Rear Engine
2	NAV1664730C7	MOUNT, ENGINE
3	NAV414089C1	NUT
4	NAV1664723C3	MOUNT, Lower Front
5	NAV28425R1	WASHER (.656in ID x 1.50in OD x .188 thk)
6	NAV1664728C1	MOUNT, Upper Rear
6	NAV1664729C7	MOUNT, ENGINE
7	NAV503401C2	INSULATOR, Radiator
8	NAV3574680C1	BUSHING, CAB

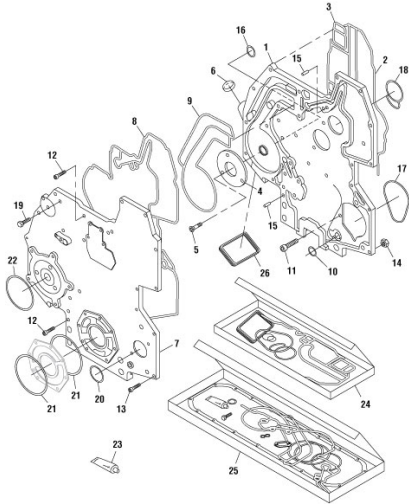
NO IMAGE AVAILABLE

DT-466E & 530E 2000-2003 SECTION – GASKET KITS

KEY	OEM REF	DESCRIPTION
1	NAV1830720C94	KIT, Upper Gasket Includes Gaskets (1)431250 (1)431210 (1)431208 (1)431247 (1)431276 (1)431257 Gasket Kit (1)431254 O-Rings (1)421215 (2)421226 Seal Kits (6)421220
1	NAV1830721C94	KIT, Upper Gasket (530) Includes Gaskets (1)431250 (1)431210 (1)431208 (1)431247 (1)431281 (1)431257 (1)431254 O-Ring (1)421215 Seals (6)421222
1	NAV1889245C92	KIT, Upper Gasket (DT466 E) Includes Gaskets (1)431292 (1)431293 (1)431294 (1)431329 O-Rings (1)421233 (1)421230 (1)EF30150 (1)121298 Turbo Mt. Kit (1)431297 Oil Rail Kit (1)421105 Injector Seal Kits (6)421106 Head Bolts (26)440008
2	NAV1824985C99	KIT, Block Accessory Gasket Includes Gaskets (1)431270 (1)431272 (1)431252 Gasket Kit(1)431263 Rings (1)421270 (2)421226 (1)321263 Seal (1)421241

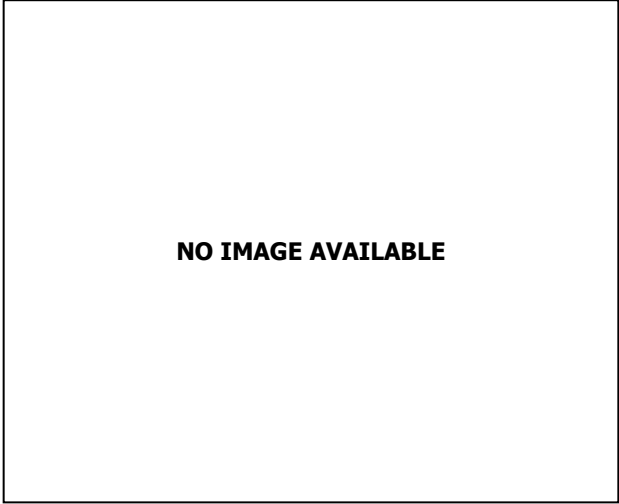

DT-466E & 530E 2004 & UP SECTION – CYLINDER BLOCK COMPONENTS

KEY	OEM REF	DESCRIPTION
1	MAK79AX63	PLUG (13/16in)
2	NAV1855478C91	TUBE, Piston Cooling
3	NAV1837644C91	PLUG (w/ O-Ring)
4	NAV1875869C92	SET, Camshaft Bearing Includes Bearings (1)451491 (1)451489 (2)451488
5	NAV1841326C1	LINER, Cylinder
6	NAV1833125C1	DOWEL, Bushing
7	NAV1842115C1	SEAL, Liner
8	NAV1836537C91	SENSOR, Temperature
9	NAV1855795C1	BOLT, Piston Cooler
10	NAV1841296C1	GASKET, Oil Pick-up
11	NAV1833649C1	PLUG (9mm)
12	NAV1842730C3	RING, Rectangular Section
12	NAV1842730C1	RING, Seal (Rear)
13	NAV1842023C93	TEE, Auto Pipe
14	NAV1838845C1	STUD
15	NAV1883597C1	BOLT, Flanged
16	N/A	KIT, Oil Pan Gasket Includes Gaskets (1)431284 (1)431283
17	NAV1825504C1	PLUG, Drain (M25)
17	NAV1842122C1	PLUG, Drain (M18)
18	NAV1836197C1	GASKET, Oil Pan
19	FUL21208	O-RING
19	NAV1814695C1	O-RING
20	NAV1871904C91	KIT, Drain Plug Includes Plug (1)442031 O-Ring (1)421217
21	NAV1841227C1	GASKET, Rear Main Seal Housing
22	NAV1823356C91	KIT, Shim Includes Shims (2)462031 (2)462032 (1)462033 (1)462034 (2)462035



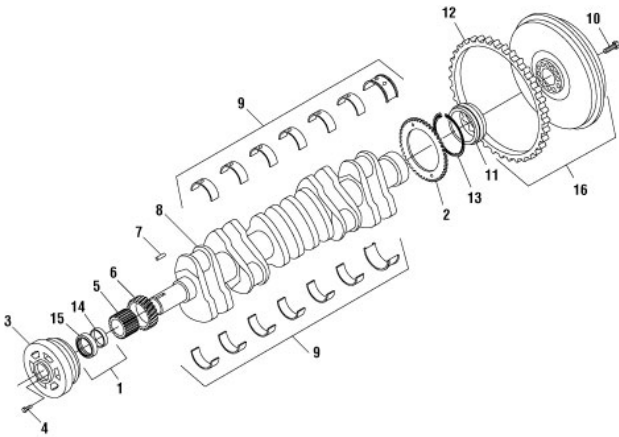
DT-466E & 530E 2004 & UP SECTION – GEAR COVER AND COMPONENTS

KEY	OEM REF	DESCRIPTION
1	NAV1841084C94	COVER
2	NAV1841016C1	GASKET, Rear Half Front Oil Cover
3	NAV1841017C1	GASKET, Front Coolant Cover
4	NAV1841772C1	PLATE, Wear
5	NAV1825464C1	SCREW (M5 x 12)
6	MAK79AX60Z	PLUG, Cup
7	NAV1842670C93	COVER, Front
8	NAV1841018C2	GASKET, Front Cover
9	NAV1841019C2	GASKET, Front Coolant Cover
10	NAV1820907C2	O-RING
11	NAV1822121C2	BOLT
12	NAV1817960C1	BOLT (M8 x 1.25mm x 45mm)
13	NAV1842857C1	BOLT
14	MAK191AM2	NUT
15	NAV1820813C1	PIN, Dowel
16	NAV1844447C1	O-RING
17	NAV1836235C1	GASKET, Air Compressor
18	NAV1836005C1	GASKET, High Pressure Pump
19	NAV1881217C91	BOLT (M8-1.25 x 45)
20	MAK446GC2134	O-RING
21	NAV1841350C1	GASKET ,Oil Pump
22	NAV1841348C1	SEAL,Water Pump
23	MAK342SX32	SEALANT
24	NAV1842662C91	KIT, Rear Front Cover Gasket Includes Gaskets (1)431304 (1)431303 (1)431315 (1)431314 (1)431319 O-Rings (4)421230
25	NAV1842663C93	KIT, Front Cover Gasket Includes Gaskets (2)431318 (1)431305 (1)431306 (1)431284 (1)431283 Seal (1)421242 O-Rings (1)421224 (1)EGA-3173 (2)421217 (1)421226 Sealant (1)BSR-0385 Bolt (1)440015
26	NAV1836243C1	GASKET, Water



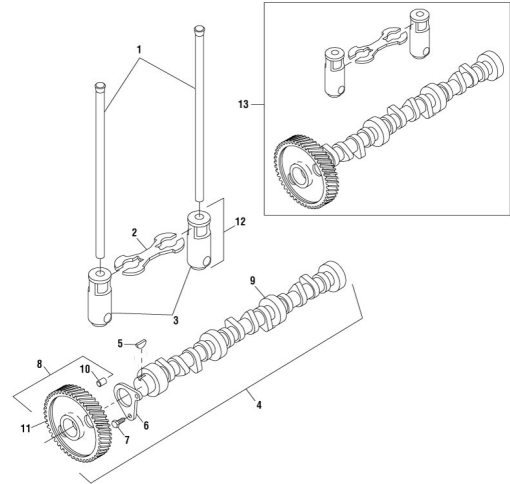
DT-466E & 530E 2004 & SECTION – OIL PAN

KEY	OEM REF	DESCRIPTION
1	NAV7078367C1	PAN, Oil
2	NAV1836197C1	GASKET, Oil Pan
3	NAV1841296C1	GASKET, Oil Pickup
4	NAV1825610C1	O-RING
4	NAV1814695C1	O-RING
5	NAV1825504C1	PLUG, Drain (M25)
5	NAV1842122C1	PLUG, Drain (M18)
6	NAV1871904C91	KIT, Drain Plug Includes Plug (1)442031 O-Ring (1)421217
7	NAV7078366C91	ASSEMBLY, Oil Pan Includes Oil Pan (1)441168 O-Rings (1)421217 (1)EF30260 Plugs (1)442030 (1)442031
8	NAV1840135C2	RAIL, Support
9	NAV1840136C1	RAIL, Support
10	NAV1876974C92	KIT, Oil Pan Includes Oil Pan Assembly (1)441169 Gasket (1)431284 Support Rails (2)441166 (2)441167



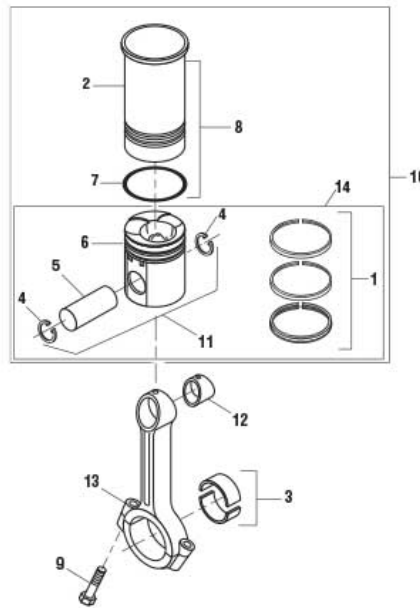
DT-466E & 530E 2004 & UP SECTION – CRANKSHAFT

KEY	OEM REF	DESCRIPTION
1	NAV690437C93	KIT, Front Seal Includes Seal (1)436006 Wear Rings (1)ERG-3769 (1)436050
1	NAV1833096C94	KIT, Front Seal (530E) Includes Seal (1)436031 Wear Ring (1)436032
2	NAV1840096C1	DISC, Timing (Prior to 4/27/2005)
2	NAV1840096C2	DISC, Timing (After 4/27/2005)
3	NAV1836434C2	DAMPER
4	NAV1823929C1	SCREW (M12 x 1.25mm)
5	NAV675364C1	HUB, Oil Pump Drive
6	NAV1820299C1	GEAR, Crankshaft
7	NAV17135R1	PIN
8	NAV1836096C1	CRANKSHAFT
9	N/A	SET, Main Bearing (STD) Includes Bearings (6)470160 (1)470164
9	N/A	SET, Main Bearing (.010) Includes Bearings (6)470161 (1)470165
9	N/A	SET, Main Bearing (.020) Includes Bearings (6)470162 (1)470166
9	N/A	SET, Main Bearing (.030) Includes Bearings (6)470163 (1)470167
10	NAV1823929C1	SCREW (M12 x 1.255mm)
11	NAV1841938C1	SEAL, Rear
12	NAV1815440C1	GEAR, Ring (Used w/ 460046 Flywheel Assembly 138 Teeth)
13	NAV1841227C1	GASKET, Seal Housing
14	NAV1827176C91	RING, Wear (530E)
14	NAV1827174C1	RING, Wear (.775in wide) (DT 466)
14	NAV675861C2	RING, Wear (.687in wide) (DT 466)
15	NAV1827177C1	SEAL, Oil (530E)
15	NAV1806380C91	SEAL, Front (NSS-Sold in Kit 436005)
16	NAV1821915C91	FLYWHEEL, Assembly (14in dia., Single Disc w/ 138 Tooth Ring Gear)



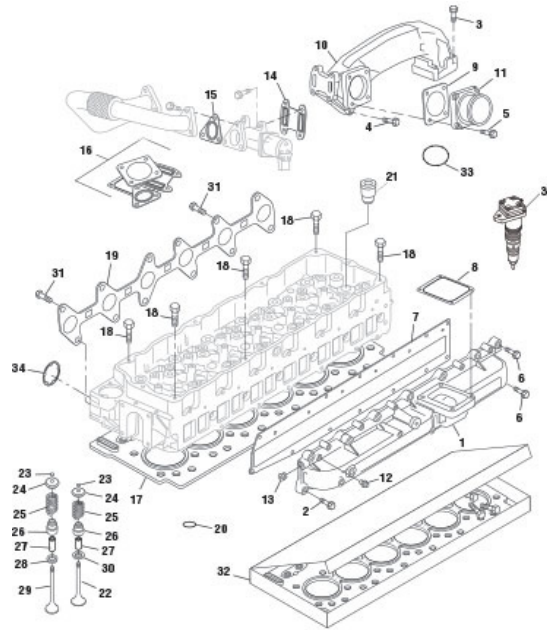
DT-466E & 530E 2004 & UP SECTION – CAMSHAFT

KEY	OEM REF	DESCRIPTION
1	NAV1833122C3	PUSHROD (used up to 11/24/04)
1	NAV1854756C1	PUSHROD (used from 11/25/04)
2	NAV1813892C1	GUIDE, Roller Lifter
3	NAV1809570C1	LIFTER, Roller (used up to 11/24/04)
3	NAV1850160C3	LIFTER, Roller (used from 11/25/04)
4	NAV1841331C95	ASSEMBLY, Camshaft Includes Camshaft (1)490016 Assembly, Cam Gear (1)480009 Thrust Washer (1)480023 Key (1)DKY-3200
5	MAK745-232013	KEY
6	NAV1841821C1	PLATE, Camshaft Thrust
7	NAV1817956C1	BOLT, Flange (M8 x 20mm)
8	NAV1841820C1	ASSEMBLY, Gear Camshaft Includes Gear (1)490032 Pin (1)442070
9	NAV1836156C5	CAMSHAFT
10	NAV19841R1	PIN, Camshaft Gear
11	NAV1841330C1	GEAR, Camshaft
12	NAV1894236C91	KIT, Lifter Includes Lifter (12) 490063 Lifter Guide (12) 490041
12	NAV1894235C91	KIT, Lifter Includes Lifter (12) 490064 Lifter Guide (12) 490041
13	NAV1894237C92	KIT, Cam and Lifter Includes Cam Kit (1)490015 Lifter Kit (1)490065
13	NAV1894238C92	KIT, Cam and Lifter Includes Cam Kit (1)490015 Lifter Kit (1)490066

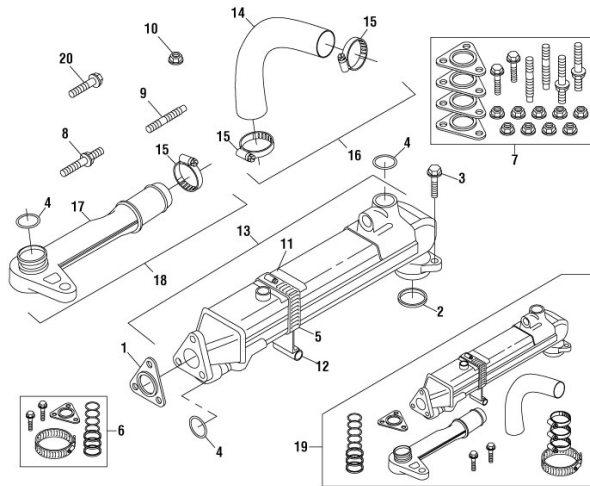


DT-466E & 530E 2004 & UP SECTION – PISTONS, CYLINDER KITS, ROD BEARINGS AND RING SETS

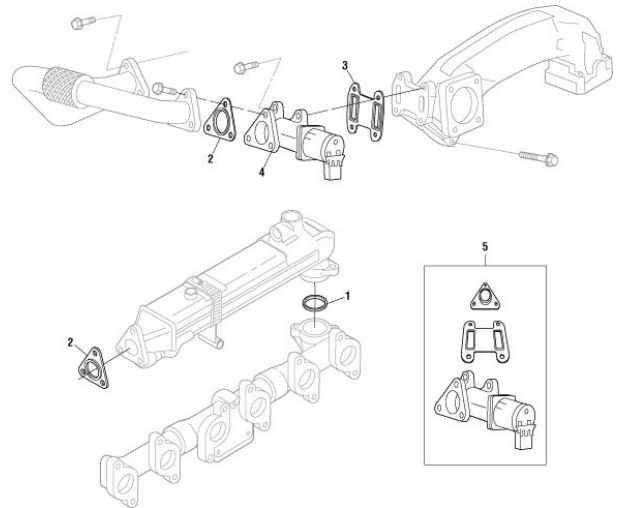
KEY	OEM REF	DESCRIPTION	KEY	OEM REF	DESCRIPTION
1	NAV1830724C92	SET, Ring	10	NAV1876100C94	KIT, Cylinder Includes Piston (1)410067 Pin (1)410031 Retainers (2)410003 Ring Set (1)405034 Liner (1)400003 Seal (1)421213
1	NAV1850402C91	SET, Ring	10	NAV1876102C93	KIT, Cylinder (DT570) Includes Piston Kit (1)410071 Liner (1)400025
1	NAV1842551C92	SET, Ring	10	NAV1876101C94	KIT, Cylinder Includes Piston Kit (1)410064 Liner Kit (1)400025
1	NAV1876098C91	SET, Ring	11	N/A	KIT, Piston (w/o Rings) Includes Piston (1)410041 Pin (1)410031 Retainers (2)410003
1	NAV1876099C91	SET, Ring Includes Intermediate Ring (1)405040 Top Ring (1)405039 Oil Ring (1)405037	11	N/A	KIT, Piston Includes Piston (1)410045 Pin (1)410031 Retainers (2)410003
2	NAV1841326C1	LINER	11	N/A	KIT, Piston Includes Piston (1)410047 Pin (1)410031 Retainers (2)410003
3	NAV1836020C91	BEARING, Rod (STD)	11	N/A	KIT, Piston Includes Piston (1)410062 Pin (1)410031 Retainers (2)410003
3	NAV1833378C91	BEARING, Rod (.010)	11	N/A	KIT, Piston Includes Piston (1)410065 Pin (1)410031 Retainers (2)410003
3	NAV1833380C91	BEARING, Rod (.020)	11	N/A	KIT, Piston Includes Piston (1)410067 Pin (1)410031 Retainers (2)410003
3	NAV1833381C91	BEARING, Rod (.030)	11	N/A	KIT, Piston Includes Piston (1)410069 Pin (1)410015 Retainers (2)410003
4	NAV1818702C1	RETAINER, Piston Pin	12	NAV1872733C2	BUSHING, Rod
5	NAV1874000C1	PIN, Piston (DT570)	13	NAV1841634C92	ROD, Connecting
5	NAV1830060C1	PIN, Piston	13	NAV1873875C95	ROD, Connecting (Lightweight)
6	NAV1842227C1	PISTON	14	NAV1873741C91	KIT, Piston Includes Piston Kit (1)410063 Ring Set (1)405038
6	NAV1858121C1	PISTON	14	NAV1873742C91	KIT, Piston (DT570) Includes Piston Kit (1)410070 Ring Set (1)405038
6	NAV1858120C1	PISTON	14	NAV1873740C92	KIT, Piston Includes Piston Kit (1)410068 Ring Set (1)405034
6	NAV1847683C2	PISTON			
6	NAV1842622C2	PISTON			
6	NAV1847682C2	PISTON			
6	NAV1847684C1	PISTON (DT570)			
7	NAV1842115C1	SEAL, Liner			
8	NAV1842553C91	KIT, Liner Includes Liner (1)400003 Seal (1)421213			
9	NAV1840363C1	SCREW, Connecting Rod			
10	NAV1842554C93	KIT, Cylinder (w/ Rings) Includes Piston Kit (1)410042 Ring Set (1)405025 Liner (1)400003 Seal (1)421213			
10	NAV1850403C94	KIT, Cylinder (w/ Rings) Includes Piston (1)410045 Pin (1)410031 Retainers (2)410003 Ring Set (1)405031 Liner (1)400003 Seal (1)421213			
10	NAV1850401C91	KIT, Cylinder (w/ Rings) Includes Piston (1)410047 Pin (1)410031 Retainers (2)410003 Ring Set (1)405025 Liner (1)400003 Seal (1)421213			
10	NAV1842556C96	KIT, Cylinder (w/ Rings) Includes Piston (1)410065 Pin (1)410031 Retainers (2)410003 Ring Set (1)405033 Liner (1)400003 Seal (1)421213			


DT-466E & 530E 2004 & UP SECTION – CYLINDER HEAD COMPONENTS

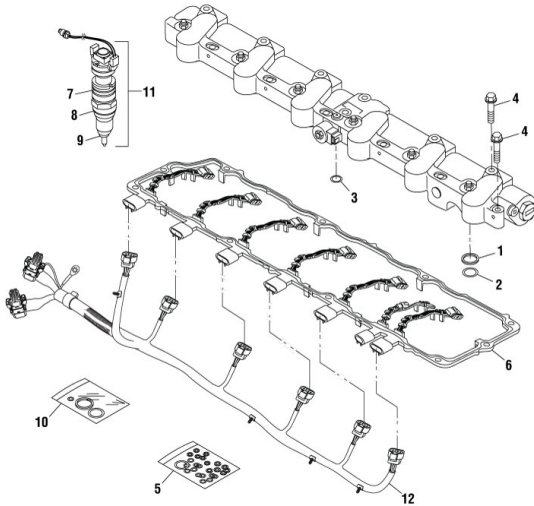
KEY	OEM REF	DESCRIPTION	KEY	OEM REF	DESCRIPTION
1	NAV1841785C91	MANIFOLD, Intake	28	NAV1842137C1	SEAT, Intake Valve (STD)
2	NAV1818281C1	BOLT (M10 x 1.5 x 35mm)	29	NAV1839968C1	VALVE, Intake
3	NAV1818229C1	BOLT (M8 x 50)	30	NAV1842138C1	SEAT, Exhaust Valve (STD)
4	NAV1822018C1	BOLT (M10 x 90mm)	31	MAK27AM16	BOLT, Exhaust Manifold (M12 x 1.75 x 40mm)
5	NAV1817978C1	BOLT (M8 x 1.25mm x 35mm)	32	NAV1889246C92	KIT, Cylinder Head Gasket Includes Gasket (1)431294 Bolts (26)440008
6	NAV1842415C1	BOLT, Stud	32	NAV1889322C92	KIT, Cylinder Head Gasket Includes Gasket (1)431294 Bolts (26)440025
7	NAV1842033C1	GASKET, Intake Manifold	33	NAV1838248C1	GASKET, EGR
8	NAV1845023C1	GASKET, Inlet	34	NAV1841479C1	GASKET, Coolant Housing
9	NAV1831826C1	GASKET, Inlet Adaptor	35	NAV1830741C93	ASSEMBLY, Injector (Reman)
10	NAV1845039C2	DUCT, Inlet and EGR	35	NAV2593597C92	ASSEMBLY, Injector (Reman)
11	NAV1845162C1	ADAPTER, Inlet			
12	NAV1841402C91	VALVE, Fuel Assembly			
13	NAV1837644C91	PLUG w/ O-Ring (M12 x 1.5mm)			
14	NAV1842350C1	GASKET, EGR Valve to Inlet			
15	NAV1842351C1	GASKET, EGR Tube to EGR Valve			
15	NAV1875808C1	GASKET, EGR			
16	NAV1842592C91	KIT, EGR Seal Includes Gaskets (1)431285 (1)431288 (1)431289 (1)431290			
16	NAV1876111C91	KIT, EGR Seal Includes Gaskets (1)431290 (2)431323 (1)431324			
17	NAV1833028C1	GASKET, Cylinder Head			
18	NAV1833029C4	BOLT, Cylinder Head (M15 x 2 x 180)			
18	NAV1883133C1	BOLT, Cylinder Head (M15 x 2 x 195)			
19	NAV1833064C1	GASKET, Exhaust Manifold			
20	NAV1842105C1	O-RING			
21	NAV1841095C1	SLEEVE, Injector			
22	NAV1842145C2	VALVE, Exhaust			
23	NAV1841566C1	LOCK, Valve			
24	NAV1835655C1	ROTATOR			
25	NAV1842146C1	SPRING, Valve			
26	NAV1833432C1	SEAL, Valve			
27	NAV1841538C1	GUIDES, Valve (Finished)			


DT-466E & 530E 2004 & UP SECTION – EGR COOLER VALVE

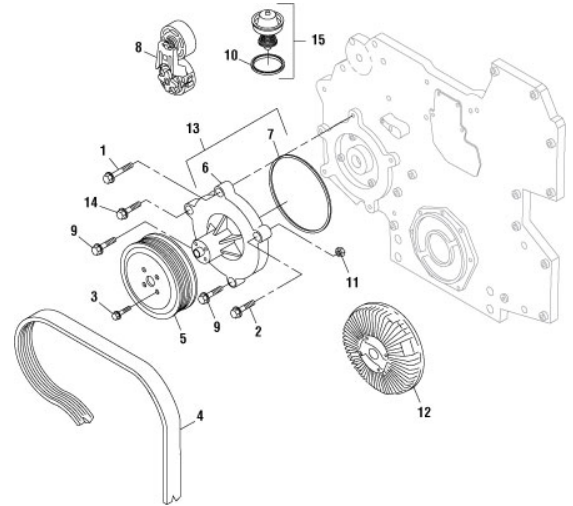
KEY	OEM REF	DESCRIPTION
1	NAV1842351C1	GASKET, EGR Tube to Valve
1	NAV1875808C1	GASKET, EGR
2	NAV1842382C2	GASKET, EGR Cooler to Manifold
3	NAV1842603C1	BOLT (M8 x 1.25 x 35)
3	MAK26AM13	SCREW (M8 x 1.25 x 25)
4	NAV1844447C1	O-RING
5	NAV1842689C1	CLAMP, Bracket
5	NAV1850645C1	CLAMP, HOSE
6	NAV1842588C93	KIT, EGR Cooler Gasket Includes Gaskets (1)431285 (1)431286 O-Rings (4)421230 Bolts (2)440011 Clamp (1)442121
7	NAV1876265C94	KIT, EGR Cooler Gasket Includes Gaskets (4)431323 Studs (2)440022 (2)440113 Nuts (3)440035 (6)ENU-0422 Screws (2)440024
8	NAV1878971C1	STUD (Double end Stud w/ Flange Nut) (M8 x 1.25)
9	NAV1873407C1	STUD (M8 x 1.25)
10	NAV1871578C1	NUT (M8 x 1.25)
10	NAV40050R1	NUT (M8 x 1.25)
11	NAV1846254C1	BRACKET, EGR
12	NAV1846197C1	BRACKET, EGR
13	NAV1842840C93	ASSEMBLY, EGR Cooler Includes EGR Cooler (1)480252 Clamp (1)442132 Brackets (1)480266 (1)480265
14	NAV1855592C2	HOSE, COOLER
15	NAV1850645C1	CLAMP, HOSE
16	NAV1832519C93	KIT, EGR Hose Includes Cooler Hose (1)421060 Hose Clamp (2)442121
17	NAV1855632C1	TUBE, EGR
18	NAV1832520C92	KIT, EGR Tube Includes EGR Cooler Tube (1)480270 O-Ring (1)421230 Hose Clamps (2)442121
19	NAV1832540C94	KIT, EGR Includes EGR Assembly (1)480253 Gasket Kit (1)431287 Tube Kit (1)480269 Hose Kit (1)480268
20	NAV1873554C2	SCREW


DT-466E & 530E 2004 & UP SECTION – EGR VALVE

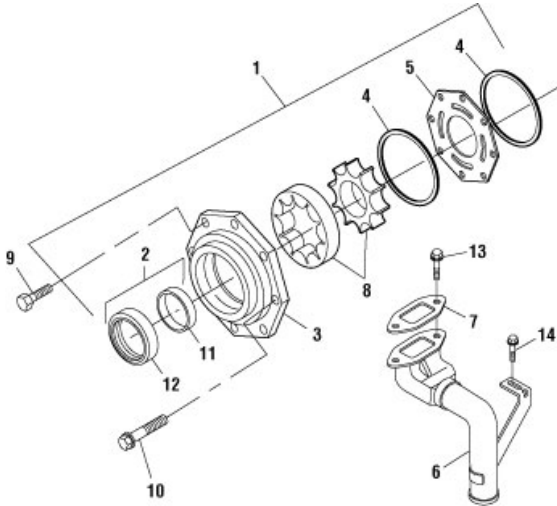
KEY	OEM REF	DESCRIPTION
1	NAV1842382C2	GASKET, EGR
2	NAV1842351C1	GASKET, EGR
2	NAV1875808C1	GASKET, EGR
3	NAV1842350C1	GASKET, EGR
4	NAV1845018C2	VALVE, EGR
5	NAV1842593C92	KIT, EGR Valve Includes EGR Valve (1)480260 EGR Gaskets (1)431285, (1)431288


DT-466E & 530E 2004 & UP SECTION – HIGH PRESSURE OIL RAIL

KEY	OEM REF	DESCRIPTION
1	NAV1841471C3	RING, Backup
1	NAV1880747C1	RING, Backup
1	NAV1884336C1	RING, Backup
2	NAV1841470C1	SEAL, Injector Inlet
3	NAV1841581C1	O-RING
4	NAV1817961C1	BOLT (M8 x 1.25 x 90)
5	NAV1842626C95	KIT, Oil Rail Includes Rings (6)421100 (6)421101 (6)421102 Seals (6)421103 O-Rings (1)421104 (1)421232 (6) EGA-3174
6	NAV1842380C95	ASSEMBLY, Valve Cover Gasket (w/ CVR/UVC Harness) (w/o Engine Brake)
6	NAV1842196C96	ASSEMBLY, Valve Cover Gasket (w/ CVR/UVC Harness) (w/ Engine Brake)
6	NAV1850500C92	ASSEMBLY, Valve Cover (w/Engine Brake)
7	NAV1844934C1	O-RING, Injector
8	NAV1842483C1	O-RING, Injector
9	NAV1830317C1	SEAL, Injector
10	NAV1842624C92	KIT, Injector Seal Includes Seal (1)436026 O-Rings (1)421231 (1)421232
11	NAV1842576C94	ASSEMBLY, Injector (Reman)
12	NAV1846154C95	HARNESS, Injector (Black)

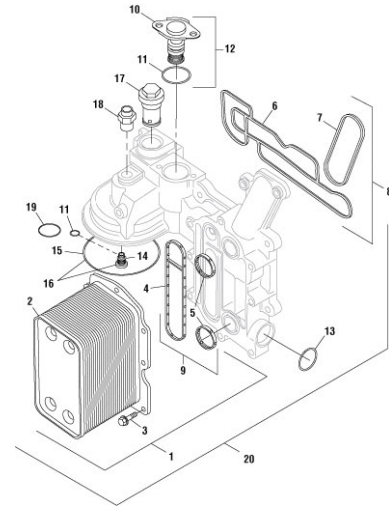

DT-466E & 530E 2004 & UP SECTION – WATER PUMP

KEY	OEM REF	DESCRIPTION
1	NAV1824752C1	BOLT, Flanged (M8 x 55)
2	NAV1817962C1	BOLT, Flange (M8 x 100)
3	NAV1817810C1	BOLT (M6 x 12)
4	N/A	BELT (Listed in Miscellaneous Section)
5	NAV1817891C1	PULLEY, Water Pump
6	NAV1841764C2	ASSEMBLY, Water Pump
7	NAV1841348C1	O-RING, Water Pump
8	NAV1841760C1	TENSIONER, Belt
9	NAV1817959C1	BOLT (M8 x 1.25 x 40)
10	NAV1841771C1	SEAL, Thermostat
11	MAK191AM2	NUT, Hex Flanged (M8 x 1.25)
12	NAV35844381C3	CLUTCH, Fan
13	NAV1842664C92	KIT, Water Pump Includes Water Pump (1)481811 O-Ring (1)421242
14	NAV1817812C1	BOLT (M8 x 16)
15	NAV1842130C1	KIT, Thermostat (190 deg.) Includes Thermostat (1) Seal (1)436012



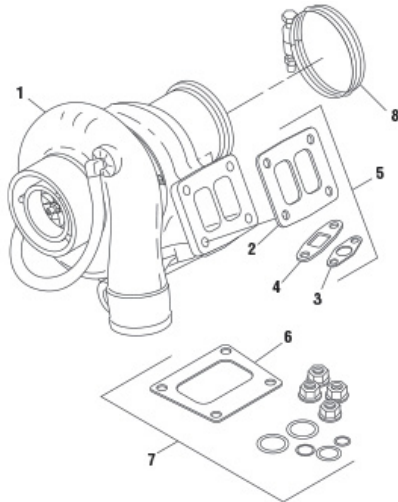
DT-466E & 530E 2004 & UP SECTION – OIL PUMP

KEY	OEM REF	DESCRIPTION
1	NAV1833357C95	PUMP, Oil (530E)
1	NAV1842563C94	PUMP, Oil (DT 466E)
2	NAV690437C93	KIT, Front Seal (466E) Includes Seal (1)436006 Wear Rings (1)ERG-3769 (1)436050
2	NAV1833096C94	KIT, Front Seal (530E) Includes Seal (1)436031 Wear Ring (1)436032
3	NAV1827476C93	HOUSING, Oil Pump
4	NAV1841350C1	GASKET, Pump Housing
5	NAV1836190C3	PLATE, Pump Housing
6	NAV1843445C2	TUBE, Oil Pick-up (Front Sump)
7	NAV1841296C1	GASKET, Oil Pick-up
8	NAV1841317C91	ROTOR, Assembly
8	NAV1827397C91	ROTOR, Assembly (Used w/ 441205 Oil Pump)
9	NAV1833483C1	BOLT (M8 x 1.25 x 60)
10	NAV1833482C1	BOLT, Flange (M8 x 1.25 x 25)
11	NAV1827176C91	RING, Wear (530E)
11	NAV1827174C1	RING, Wear (.775in wide) (DT 466)
11	NAV675861C2	RING, Wear (.687in wide) (DT 466)
12	NAV1827177C1	OIL, Seal (530E)
12	NAV1806380C91	SEAL, Front (NSS-Sold in Kit 436005)
13	NAV1817978C1	BOLT (M8 x 1.25 x 35)
14	NAV1817965C1	BOLT (M10 x 1.5 x 25)



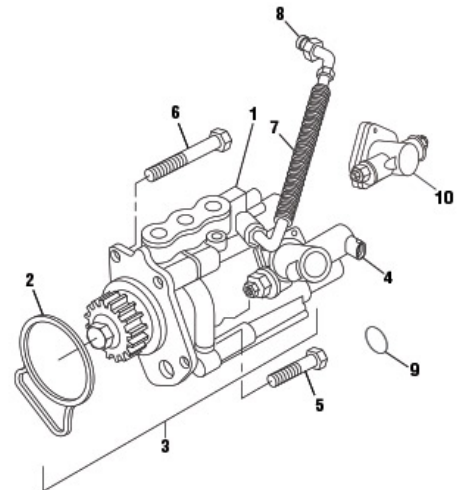
DT-466E & 530E 2004 & UP SECTION – OIL COOLER

KEY	OEM REF	DESCRIPTION
1	NAV1842530C94	KIT, Oil Cooler Includes Oil Cooler (1)441414 Bolts (8)440014 Gasket (1)431308 (2)431309
2	NAV1842418C3	COOLER, Oil
3	NAV1817956C1	BOLT, Hex (M8-1.25 x 20)
4	NAV1841611C1	GASKET, Oil
5	NAV1841993C1	GASKET, Oil
6	NAV1841994C1	GASKET, Oil
7	NAV1841483C1	GASKET, Oil
8	NAV1842124C91	KIT, Oil Cooler Housing Gasket Includes Gaskets (1)431311 (1)431312
9	NAV1842126C91	KIT, Oil Cooler Gasket Includes Gaskets (1)431308 (2)431309
10	NAV1841780C1	VALVE, Thermal
11	NAV1899095C2	O-RING, Valve
12	NAV1842657C91	KIT, Valve Includes Valve (1)481857 O-Ring (1)421243
13	NAV1844447C1	O-RING, Oil Tube
14	NAV1841501C1	VALVE, By-Pass
15	CAT6D7146	O-RING
16	NAV1842128C91	KIT, By-Pass Includes Valve (1)481853 O-Ring (1)321372
17	NAV1841879C2	VALVE, Regulator
18	NAV1842021C91	FITTING (Packed w/ O-Rings (1)121298 (1)121331)
19	CAT1662903	O-RING
20	NAV1842417C94	COOLER, Oil Assembly



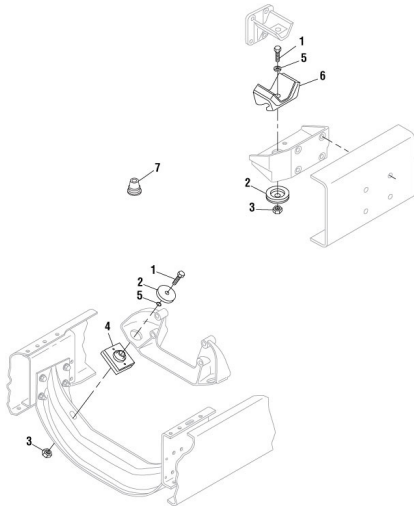
DT 466E & 530E 2004 & UP SECTION – TURBOCHARGER

KEY	OEM REF	DESCRIPTION
1	NAV1842337C95	TURBOCHARGER (w/ Wastegate)
1	NAV1842339C95	TURBOCHARGER (w/ Wastegate)
1	NAV1825406C92	TURBOCHARGER (w/o Wastegate)
1	NAV1830497C93	TURBOCHARGER (w/ Wastegate)
1	NAV1876116C96	TURBOCHARGER
1	NAV1842580C98	TURBOCHARGER
2	CAT1P0451	GASKET, Turbo Mounting
3	NAV253660R2	GASKET, Turbo Supply
4	NAV670079C2	GASKET, Lube
5	N/A	KIT, Turbo Installation Gasket Includes Gaskets (1)431208 (1)431209 (1)331356 O-Rings (1)431247 (1)421226
6	NAV1833007C1	GASKET, Turbo Mounting
7	NAV1842623C93	KIT, Turbo Mounting Includes Gasket (1)431298 O-Rings (2)421226 (1)121324 (1)121298 (1)421230 (1)EF30150 Nuts (4)440032
8	NAV3553803C2	CLAMP, Turbo Outlet (3 5/8in ID)



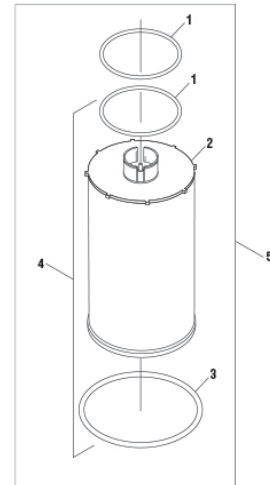
DT-466E & 530E 2004 & UP SECTION – HIGH PRESSURE PUMP

KEY	OEM REF	DESCRIPTION
1	NAV1842424C2	PUMP
2	NAV1836005C1	GASKET
3	NAV1883888C91	ASSEMBLY, High Pressure Pump (12 cc)
4	NAV1842428C99	VALVE, Injector Pressure Regulator
5	NAV1817958C1	BOLT, Flanged Hex Head (M8 x 1.25 x 30mm)
6	NAV1817962C1	BOLT, Flanged Hex Head (M8 x 100 mm)
7	NAV1842517C93	HOSE, High Pressure
8	NAV1842652C93	FITTING, Elbow O-Ring Boss
9	NAV1824981C1	RING, Backup
10	NAV2511369C91	PUMP, Fuel Supply



DT-466E & 530E 2004 & UP SECTION – FRONT & REAR MOTOR MOUNTS

KEY	OEM REF	DESCRIPTION
1	NAV414084C1	SCREW (5/8-18 x 3-1/2in flanged hex head)
2	NAV1664726C2	MOUNT, Upper Front/Rear Engine
3	NAV414089C1	NUT
4	NAV1664723C3	MOUNT, Lower Front
5	NAV28425R1	WASHER (.656in ID x 1.50in OD x .188 thk)
6	NAV1664728C1	MOUNT, Upper Rear
6	NAV1664729C7	MOUNT, Engine
7	NAV503401C2	INSULATOR, Radiator



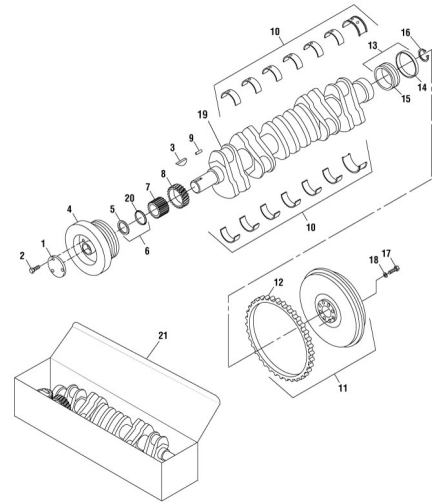
DT-466E & 530E 2004 & UP SECTION – FUEL FILTER KIT

KEY	OEM REF	DESCRIPTION
1	NAV1873909C1	O-RING
2	NAV1874438C1	FILTER, Fuel
3	NAV1873915C1	O-RING
4	NAV1873917C91	KIT, Fuel Filter Includes Filter (1)450519 O-Ring (1)421236 (1)421235
5	NAV1878042C92	KIT, Fuel Filter Includes O-Ring (1)421235 Filter Kit (1)450527

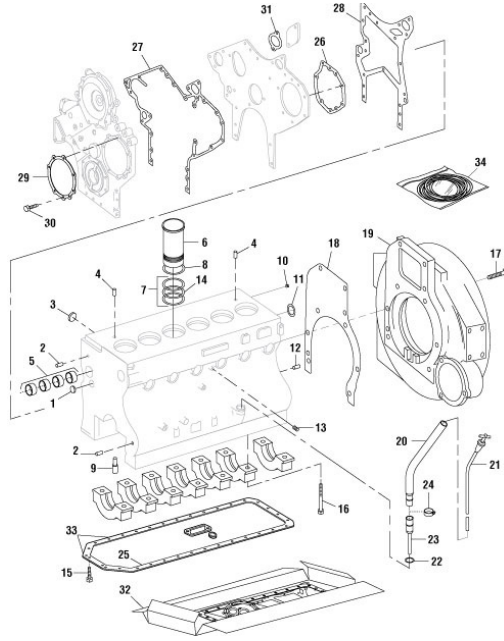
NO IMAGE AVAILABLE

DT-466E & 530E 2004 & UP SECTION – GASKET KITS

KEY	OEM REF	DESCRIPTION
1	NAV1889245C92	KIT, Upper Gasket (DT466 E) Includes Gaskets (1)431292 (1)431293 (1)431294 (1)431329 O-Rings (1)421233 (1)421230 (1) EF30150 (1)121298 Turbo Mt. Kit (1)431297 Oil Rail Kit (1)421105 Injector Seal Kits (6)421106 Head Bolts (26)440008

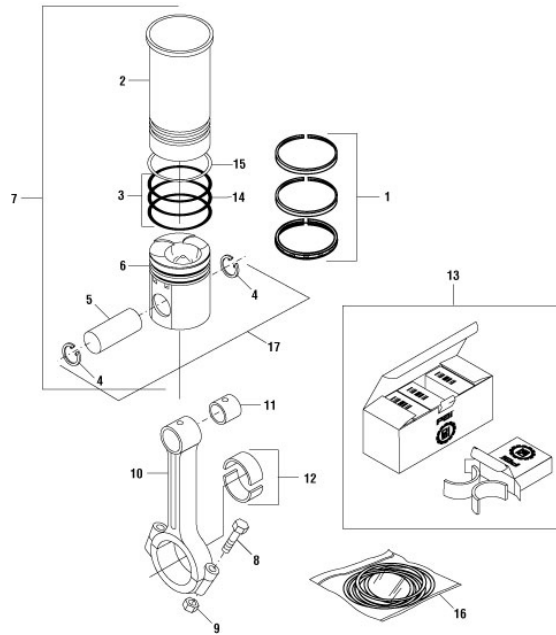

DT-360 SERIES SECTION – CRANKSHAFT

KEY	OEM REF	DESCRIPTION
1	NAV675412C1	PLATE
2	NAV24862R1	BOLT (1/2in-13 x 1-1/2in)
3	NAV691044C1	KEY, Woodruff
4	NAV1810580C91	PULLEY, Damper (4 Groove Pulley) (For Serial Number 39374 & Below)
4	NAV1810745C92	PULLEY, Damper (3 Groove Pulley) (For Serial Number 39375 & Above)
5	NAV1827174C1	RING, Wear (.775in wide)
5	NAV675861C2	RING, Wear (.687in wide)
6	NAV690437C93	KIT, Seal & Wear Ring Includes Seal (1)436006 Wear Rings (1)ERG-3769 (1)436050
7	NAV675364C1	SPLINE, Oil Pump Drive
8	NAV675406C1	GEAR, Crankshaft
9	NAV17135R1	PIN
10	NAV1823859C91	SET, Main Bearing (STD)
10	NAV1823860C91	SET, Main Bearing (.010in)
10	NAV1823861C91	SET, Main Bearing (.020in)
10	NAV1823862C91	SET, Main Bearing (.030in)
11	NAV1819891C91	ASSEMBLY, Flywheel (13in Clutch)
11	NAV683961C93	ASSEMBLY, Flywheel (Automatic Transmission)
11	NAV1810855C93	ASSEMBLY, Flywheel (14in dia., w/ 138 Tooth Ring Gear)
12	NAV681926C2	GEAR, Ring (.750in Wide)
12	NAV1815440C1	GEAR, Ring (.625in Wide) (Used w/ 460045 Flywheel Assembly 138 Teeth)
13	NAV1809964C92	KIT, Seal & Wear Ring
14	NAV180847C1	SEAL
15	MAK1458-99499	RING, Wear
16	NAV456736R1	RING, Retaining
17	FULX-7-810	SCREW (1/2in-20 x 2in)
17	NAV25277R1	SCREW (1/2in-20 x 1-5/8in)
18	NAV685902C1	WASHER, Hardened
18	MAK37AX302	WASHER, Hardened
19	NAV1809954C1	CRANKSHAFT
20	NAV1806380C91	SEAL, Front (NSS - Sold in Kit 436005)
21	NAV1809953C91	ASSEMBLY, Crankshaft Includes Crankshaft (1)470003 Hub (1)480030 Crankshaft Gear (1)480005 Roll Pin (1)EPN-5138

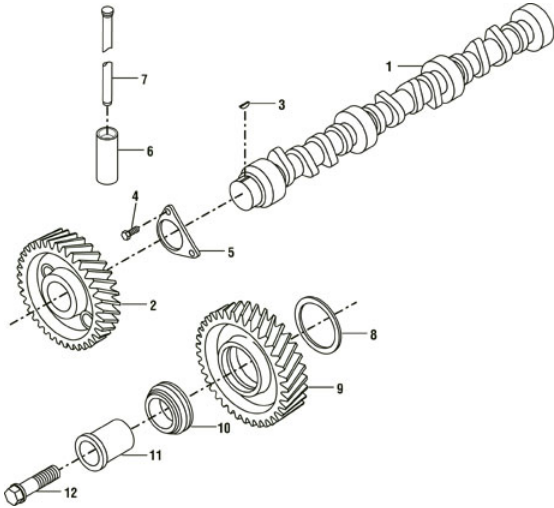


DT-360 SERIES SECTION – CYLINDER BLOCK COMPONENTS

KEY	OEM REF	DESCRIPTION	KEY	OEM REF	DESCRIPTION
1	MAK79AX57X	PLUG, Cup (7/8in Dia.)	21	NAV1819228C2	DIPSTICK (TV Bus)
1	MAK79AX63	PLUG, Cup (13/16in Dia.) (Oversize)	22	NAV1812559C1	SEAL
2	NAV680483C1	PIN, Dowel (3/8in Dia. x 7/8in Lg)	23	NAV691846C1	TUBE, Lower, Oil Fill
3	MAK79AX71	PLUG, Cup (1-1/7in Dia.)	24	NAV690835C1	CLAMP
4	NAV684902C1	PIN, Dowel, Cylinder Head	25	NAV671825C3	GASKET, Oil Pan
5	NAV680117C3	SET, Bearing, Camshaft	26	NAV675609C2	GASKET, Injection Pump Adapter
6	NAV1809935C4	LINER	27	NAV1810510C3	GASKET, Crankcase Front Cover
7	NAV1809938C91	KIT, O-Ring Includes O-Rings (3)421205	28	NAV675812C2	GASKET, Crankcase Front Plate (For Serial Numbers 54458 & Below)
8	NAV1809940C1	SHIM, Liner (.002in)	28	NAV1813962C1	GASKET, Crankcase Front Plate (For Serial Numbers 54459 & Above)
8	NAV1809941C1	SHIM, Liner (.004in)	29	NAV675816C2	GASKET, Injector Cover
8	NAV1809942C1	SHIM, Liner (.010in)	30	NAV26057R1	SCREW (5/16-18 x 3-1/2)(GR8)
8	NAV1809943C1	SHIM, Liner (.020in)	31	CUM3558515	GASKET, Hydraulic Pump Cover
8	NAV1809944C1	SHIM, Liner (.032in)	32	NAV1813933C93	SET, Front Cover Gasket Includes Gaskets (1)431232 (1)431220 (1)431227 (1)431202 (1)431203 (1)431201 (1)431228 (1)431231 (1)431230 (1)431222 O-Rings (4)EF30160 (2)421201 (1)421202
9	NAV343464R1	TUBE, Oil Jet	32	N/A	SET, Front Cover Gasket Includes Gaskets (1)431232 (1)431220 (1)431227 (1)431202 (1)421203 (1)431200 (1)431228 (1)431231 (1)431230 (1)431222 O-Rings (4)EF30160 (2)421201 (1)421202
10	MAK49AX230	PLUG	33	N/A	KIT, Pan Gasket Includes Gaskets (1)431200 (1)431203 (1)431244
11	NAV682444C1	RING, Rectangular, Camshaft Seal	34	NAV1809937C91	KIT, Shim Includes Shims (2)462021 (2)462022 (1)462023 (1)462024 (2)462025
12	NAV680484C1	PIN, Dowel, Flywheel Housing			
13	NAV444625	PLUG (3/8in NPT) (1/2in x 1-1/8in Lg)			
14	NAV1819099C1	O-RING			
15	NAV677490C1	SCREW, Oil Pan			
16	NAV1802582C1	BOLT, Flanged, Main Bearing			
17	NAV24864R1	BOLT (1/2in-13 x 1-7/8in Lg)			
18	NAV682945C3	GASKET, Flywheel Housing			
19	NAV1680000C1	HOUSING, Flywheel (For Serial Numbers 90976 & Above)			
19	NAV686704C4	HOUSING, Flywheel (For Serial Numbers 90975 & Below)			
20	NAV1811699C2	TUBE, Oil Fill (Except FC Bus & TV Bus)			
20	NAV1680049C1	TUBE, Oil Fill (FC Bus)			
20	NAV2001988C1	TUBE, Oil Fill (TV Bus)			
21	NAV691796C1	DIPSTICK (Except for FC & TV Bus)			
21	NAV1815618C1	DIPSTICK (FC Bus)			

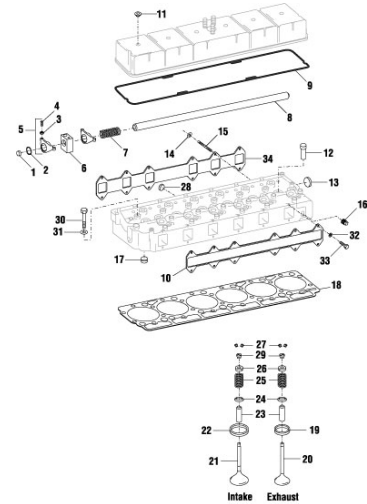

**DT-360 SERIES SECTION – PISTONS, CYLINDER KITS,
 ROD BEARINGS AND RING SETS**

KEY	OEM REF	DESCRIPTION	KEY	OEM REF	DESCRIPTION
1	NAV1809919C93	SET, Piston Ring (For Serial Numbers 90975 & Below)	13	NAV1823863C91	SET, Rod Bearing (6 Pair) (STD)
1	NAV1817251C91	SET, Piston Ring (For Serial Numbers 90976 & Above)	13	NAV1823864C91	SET, Rod Bearing (6 Pair) (.010in)
2	NAV1809935C4	LINER	13	NAV1823865C91	SET, Rod Bearing (6 Pair) (.020in)
3	NAV1809938C91	KIT, O-Ring (For one Liner) Includes O-Rings (3)421205	13	NAV1823866C91	SET, Rod Bearing (6 Pair) (.030in)
4	NAV326751R1	RETAINER, Pin	14	NAV1819099C1	O-RING
5	NAV1809914C1	PIN, Piston	15	NAV1809940C1	SHIM (.002in)
6	NAV1809912C2	PISTON (For Serial Numbers 39374 & Below)	15	NAV1809941C1	SHIM (.004in)
6	NAV1811749C2	PISTON (For Serial Numbers 39375 - 72706)	15	NAV1809942C1	SHIM (.010in)
6	NAV1815309C1	PISTON (For Serial Numbers 72707 - 90975)	15	NAV1809943C1	SHIM (.020in)
6	NAV1817178C2	PISTON (For Serial Numbers 90976 & Above)	15	NAV1809944C1	SHIM (.032in)
7	NAV1809920C95	KIT, Cylinder (w/o Piston Rings) (For Serial Numbers 39374 & Below)	16	NAV1809937C91	KIT, Shim, Liner Includes Shims (2)462021 (2)462022 (1)462023 (1)462024 (2)462025
7	NAV1811894C92	KIT, Cylinder (w/o Piston Rings) (For Serial Numbers 39375 - 72706)	17	N/A	KIT, Piston Includes Piston (1)410010 Pin (1)410012 Retainers (2)410011
7	NAV1815404C92	KIT, Cylinder (w/o Piston Rings) (For Serial Numbers 72707 - 90975)			
7	NAV1817250C92	KIT, Cylinder (w/o Piston Rings) (For Serial Numbers 90976 & Above) Includes Piston (1)410010 Liner (1)400006 Retaining Rings (2)410011 Pin (1)410012 O-Ring Kit (1)421204			
8	NAV3055033R1	BOLT, Connecting Rod			
9	NAV3055034R1	NUT, Connecting Rod			
10	NAV1810042C91	ROD, Connecting Includes Bushing, Bolts & Nuts			
11	NAV1810049C1	BUSHING			
12	NAV1810038C92	BEARING, Rod (Pair) (STD)			
12	NAV1810039C92	BEARING, Rod (Pair) (.010in)			
12	NAV1810040C92	BEARING, Rod (Pair) (.020in)			
12	NAV1810041C92	BEARING, Rod (Pair) (.030in)			



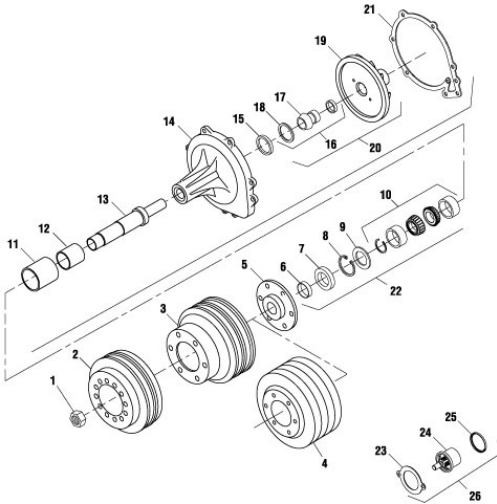
DT-360 SERIES SECTION – CAMSHAFTS

KEY	OEM REF	DESCRIPTION
1	NAV1809910C91	CAMSHAFT (For Serial Numbers 72706 & Below)
1	NAV1815366C91	CAMSHAFT (For Serial Numbers 72707 & Above)
2	NAV675600C1	GEAR, Camshaft
3	MAK745-232013	KEY
4	NAV25228R1	SCREW (5/16in-18 x 3/4in Lg)
5	NAV676144C2	PLATE
6	NAV1802340C1	LIFTER
7	NAV1809911C1	PUSHROD
8	NAV675767C1	SPACER
9	NAV675764C1	GEAR, Idler
10	NAV327185R91	BEARING, Idler Gear
11	NAV675765C1	SHAFT, Idler Gear
12	NAV26044R1	SCREW, Idler Gear



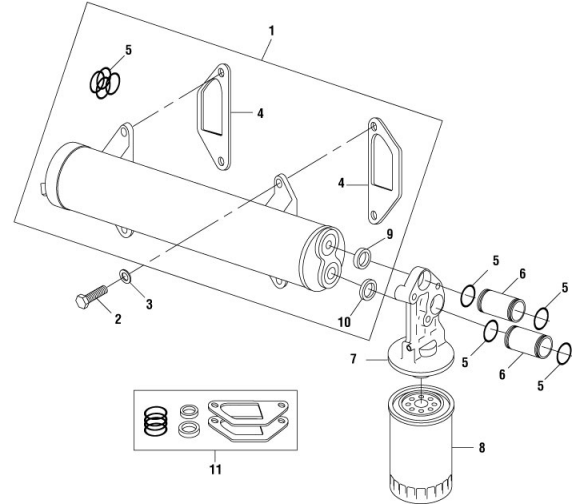
DT-360 SERIES SECTION – CYLINDER HEAD COMPONENTS

KEY	OEM REF	DESCRIPTION
1	NAV291171C1	PLUG, Cup (9/16in Dia.)
2	NAV24577R1	RING, Retaining
3	NAV133093R1	NUT, Lock
4	NAV16067DA	SCREW, Adjust
5	NAV688999C92	ROCKER, Arm
6	NAV675536C2	BRACKET, Rocker Arm Shaft
7	NAV675105C1	SPRING
8	NAV675661C92	SHAFT
9	NAV675389C1	GASKET, Valve Cover
10	NAV682198C2	GASKET, Intake Manifold
11	NAV677692C2	GROMMET, Valve Cover
12	NAV675442C1	SLEEVE
13	MAK79AX60Z	PLUG, Cap (1-1/2in Dia.)
14	MAK35AX1361U	WASHER
15	NAV1810663C1	STUD, Exhaust Manifold
16	NAV444667	PLUG, Exhaust Hex (1/2in NPT)
17	NAV691183C1	DIRECTOR, Water
18	NAV1819546C1	GASKET, Cylinder Head
19	NAV671599C1	SEAT, Exhaust (+.002in)
19	NAV671601C1	SEAT, Exhaust (+.015in)
20	NAV1810086C2	VALVE, Exhaust
21	NAV676687C4	VALVE, Intake
22	NAV671602C1	SEAT, Intake (+.002in)
22	NAV671604C1	SEAT, Intake (+.015in)
23	NAV1815264C1	GUIDE (Finished)
24	NAV675443C1	SEAL, Valve Spring (For Serial Numbers 72706 & Below)
24	NAV1815374C1	SEAL, Valve Spring (For Serial Numbers 72707 & Above)
25	NAV682064C1	SPRING, Valve
26	NAV1811581C91	ROTATOR (For Serial Numbers 72706 & Below)
26	NAV1817661C92	ROTATOR (For Serial Numbers 72707 & Above)
27	MAK54GC25	LOCK, Valve
28	CUM175830	PLUG, Cup (1-1/8in)
29	NAV1818446C1	BUSHING, Valve
30	NAV676119C1	BOLT, Cylinder Head (Long - 8-7/8in Lg)
30	NAV676120C1	BOLT, Cylinder Head (Short - 6-1/2in Lg)
31	NAV252018R1	WASHER
32	MAK37AX421	WASHER (5/16in)
33	NAV26679R1	BOLT 9
33	NAV1810396C1	BOLT (Special)
34	NAV1810169C2	GASKET, Exhaust Manifold



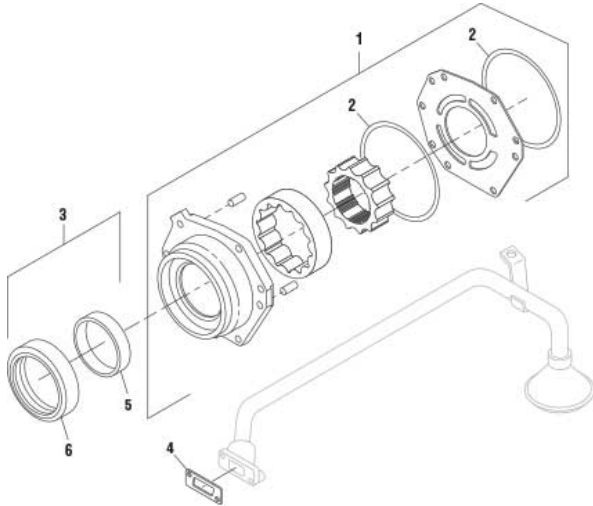
DT-360 SERIES SECTION – WATER PUMP

KEY	OEM REF	DESCRIPTION
1	NAV691342C1	NUT(3/4-16in) (For Serial Numbers 108648 & Below)
1	NAV1815536C1	NUT(3/4-16in) (For Serial Numbers 108649 & Above)
2	NAV1809704C1	PULLEY(2 Groove) (For Serial Numbers 39374-90974)
2	NAV1819246C1	PULLEY(2 Groove) (For Serial Numbers 90975 & Above)
2	NAV1817683C1	PULLEY(1 Groove)
3	NAV1809702C1	PULLEY(2 Groove) (For Serial Numbers 39374 & Above)
4	NAV1810717C1	PULLEY(4 Groove) (Use NAV 1809702C1, NAV 1809704C1)
5	NAV685157C1	HUB (For Serial Numbers 112786 & Below)
5	NAV1815629C1	HUB (For Serial Numbers 112787 & Above)
6	NAV673308C2	SLEEVE, Wear
7	NAV1806268C91	SEAL,Front
8	NAV272842R1	RING, Retaining
9	NAV677715C1	SPACER
10	NAV677148C91	ASSEMBLY, Bearing
11	NAV677141C1	SPACER
12	NAV685152C1	SPACER
13	NAV685153C2	SHAFT, Water Pump (For Serial Numbers 108648 & Below)
13	NAV1815537C1	SHAFT, Water Pump (For Serial Numbers 108649 & Above)
14	NAV677856C3	HOUSING
15	NAV1806267C91	SEAL,Rear
16	NAV1810505C92	KIT, Seal (Coolant) Includes Seal (1)436022 O-Ring (1)421229
17	NAV1804462C91	SEAL
18	NAV1802812C1	O-RING
19	NAV1802248C1	IMPELLER
20	NAV1810366C92	KIT, Seal (Impeller)
21	NAV675808C2	GASKET
22	NAV685155C93	ASSEMBLY, Water Pump (For Serial Numbers 108648 & Below)
22	NAV1815538C91	ASSEMBLY, Water Pump (For Serial Numbers 108649 & Above)
23	NAV675384C2	GASKET, Thermostat
24	NAV687018C2	THERMOSTAT
25	NAV615175C91	SEAL, Thermostat
26	NAV1801191C91	KIT, Thermostat (Non-vented) Includes Thermostat (1)481831 Seal (1)436011 Gasket (1)431213



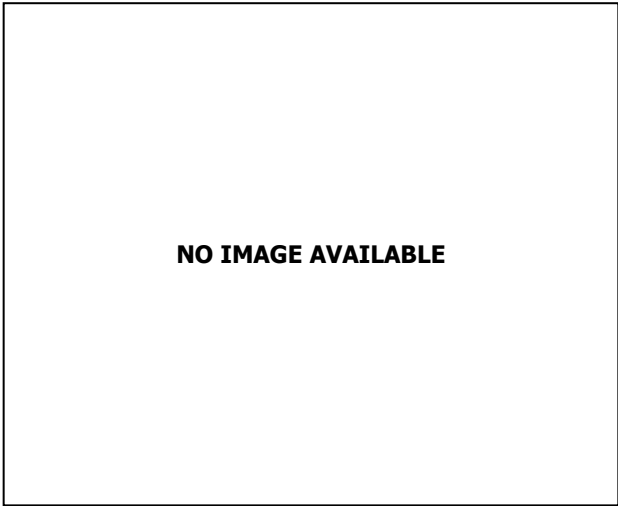
DT-360 SERIES SECTION – OIL COOLER

KEY	OEM REF	DESCRIPTION
1	NAV1810216C2	COOLER, Oil Includes Cooler (1) Seals (2)431221 O-Rings (4)EF30160 Rings (1)421274 (1)421275
2	MAK419GC114	SCREW (3/8in-16 x 1-1/4in)
3	NAV25896R1	WASHER
4	NAV675513C1	SEAL, Cooler
5	FUL14621	O-RING
6	NAV677109C1	TUBE
7	NAV1810502C91	BRACKET
8	CUM3318201	FILTER, Water (Conditioner)
8	CUM3315115	FILTER, Water (Conditioner)
8	CUM3316053	FILTER, Water (Conditioner)
8	CUM3318318	FILTER, Water (Conditioner)
9	NAV21254R1	RING, Seal (Rectangular Cross Section)
10	NAV387088R1	RING, Seal (Rectangular Cross Section)
11	N/A	KIT, Oil Cooler Mounting Includes Cooler Seals (2)431221 Ring Seals (1)421274 (1)421275 O-Ring (4)EF30160



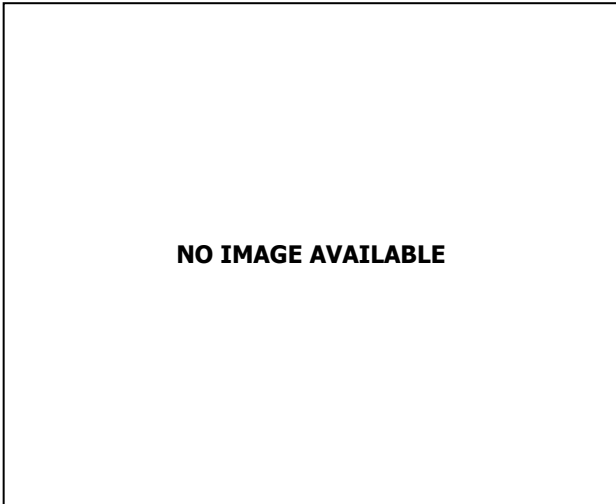
DT-360 SERIES SECTION – OIL PUMP

KEY	OEM REF	DESCRIPTION
1	NAV1802666C92	PUMP, Oil
2	NAV675860C1	O-RING, Oil Pump Housing
3	NAV690437C93	KIT, Front Seal Includes Seal (1) Wear Rings (1)ERG-3769 (1)436050
4	NAV1802867C2	GASKET, Oil Pump Inlet Tube
5	NAV1827174C1	RING, Wear (.775in wide)
5	NAV675861C2	RING, Wear (.687in wide)
6	NAV1806380C91	SEAL, Front (NSS - Sold in Kit 436005)



DT-360 SERIES SECTION – GASKET KITS

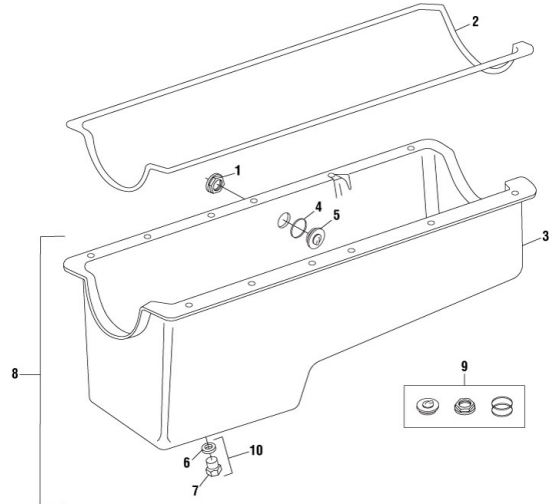
KEY	OEM REF	DESCRIPTION
1	NAV1817347C92	KIT, Inframe Gasket Includes Upper Gasket Kit (1)431243 Gaskets (1)431244 (1)431200 (1)431203 O-Ring Kits (6)421204
2	NAV1810784C97	KIT, Overhaul Gasket Includes Upper Gasket Kit (1)431243 Gaskets (1)431244 (1)431200 (1)431203 (1)131451 (1)431231 (1)431230 (1)431220 (1)431227 (1)431223 (1)431232 (1)431229 Washers (1)442091 (1)442090 (1)442092 O-Rings (4)EF30160 (1)421203 (2)421201 O-Ring Kits (6)421204 Seals (1)431225 (2)431221 (1)431226 (1)136057 Seal Kits (1)436005 (1)436002 Rings (1)421270
3	NAV1817255C95	KIT, Upper Gasket Includes Gaskets (1)431208 (1)431209 (1)431213 (1)431240 (6)431214 (1)431241 (1)431238 (1)431242 (1)431210 Grommets (6)431215 (6)431216 Shields (12)431219
4	NAV674399C96	SET, Lower Gasket Includes Gasket Set (1)431236 Gasket (1)431229 Washers (1)442090 (1)442091 O-Ring (1)421203 Seals (1)431225 (2)431221 (1)431226 Rings (1)421270 (1)421274 (1)421275 (1)431223 (1)321263
5	NAV680084C96	SET, Lower Gasket (Pan Gasket not included) Includes Gaskets (1)431224 (1)431235 (1)431220 (1)431222 (1)431227 (1)431202 (1)431203 (2)431231 (1)431230 (1)431228 (1)431201 O-Rings (4)EF30160 (2)421201 (1)421202 Ring (1)421270



NO IMAGE AVAILABLE

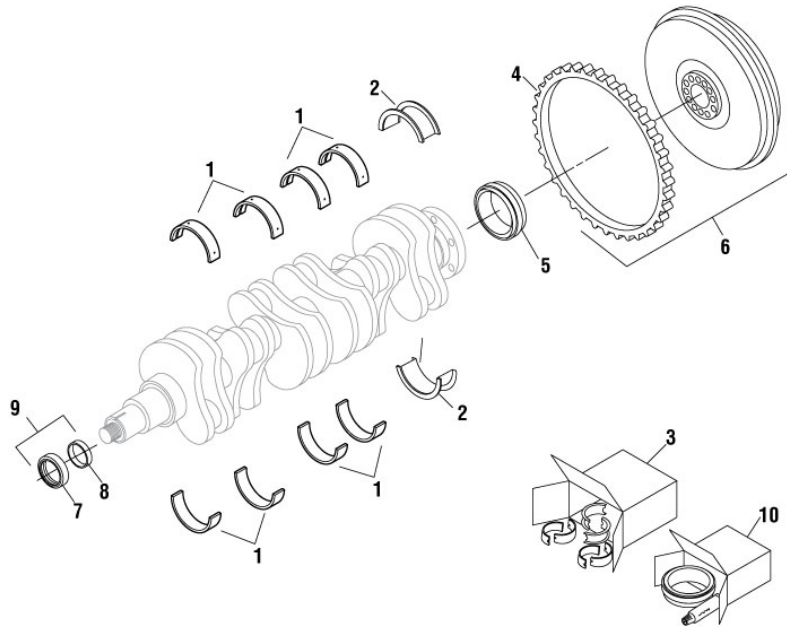
DT-360 SERIES SECTION – MISCELLANEOUS COMPONENTS

KEY	OEM REF	DESCRIPTION
1	NAV673185C1	O-RING, Breather Tube (For Serial Numbers 37296 & Below)
2	N/A	SET, Gasket (Injector Pump Mounting)
3	NAV393670C1	GASKET, Drain Plug (Oil Pan) (Nylon)(1/2in ID x 13/16in OD x .078in thk)
4	NAV680246C1	HOSE, Fuel Return
5	NAV1802453C1	CLAMP, Hose (Fuel Return)
6	NAV1802452C1	CAP, Injector
7	NAV1810699C4	GASKET, Breather



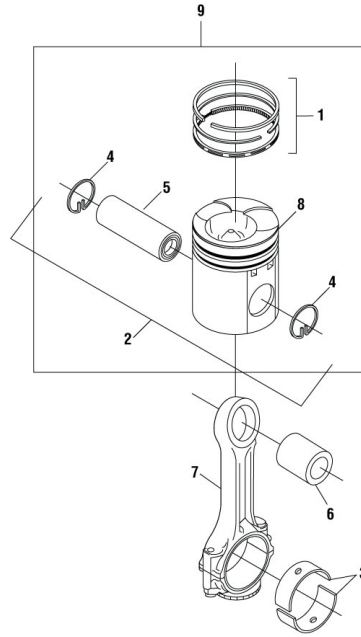
7.3 SERIES / 444 SECTION – OIL PAN

KEY	OEM REF	DESCRIPTION
1	NAV1813199C1	NUT, Retaining
2	MAK342SX32	SEALANT
3	NAV1825380C91	PAN, Oil
4	CUM3073966	O-RING, Water
5	NAV1813198C1	ADAPTER, Guide
6	VOL969011	WASHER, Copper
7	NAV1818224C1	PLUG, Drain
8	NAV1830838C91	KIT, Oil Pan Includes Oil Pan (1)441174 Dipstick Adapter Kit (1)441184
9	N/A	KIT, Dipstick Adapter Includes Adapter (1)441185 Retaining Nut (1)441186 O-Rings (1)121250, (1)EF30130
10	N/A	KIT, Drain Plug Includes Washer (1)842058 Drain Plug(1)442034



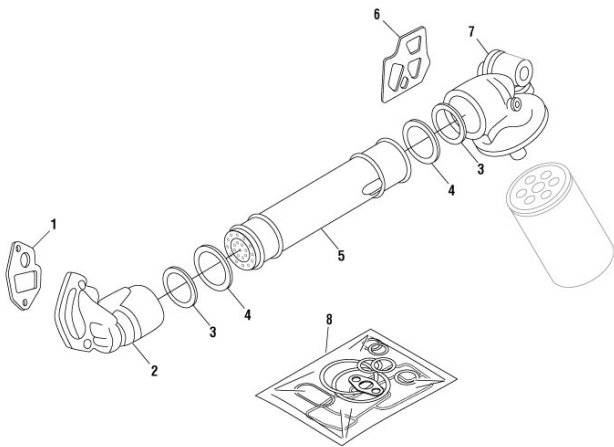
7.3 SERIES / 444 SECTION – CRANKSHAFT

KEY	OEM REF	DESCRIPTION	KEY	OEM REF	DESCRIPTION
1	NAV1802216C92	BEARING, Main (STD)	5	NAV1819733C91	KIT, Rear Crank Seal (w/ Wear Ring)
1	NAV1802217C92	BEARING, Main (.010)	5	NAV1822834C92	KIT, Rear Seal Includes Rear Crank Seal(1)436027 Wear Ring (1)436052
1	NAV1802218C92	BEARING, Main (.020)	6	NAV1818214C91	FLYWHEEL, Assembly (444/444E) (14in Dia.,w/ 137 Tooth Ring Gear)
1	NAV1802219C92	BEARING, Main (.030)	6	NAV1809144C91	FLYWHEEL, Assembly (7.3 units) (444E)(14in.)
1	NAV1812321C91	BEARING, Main (STD)	7	MAK88AX416P2	SEAL, Front Crankshaft
1	NAV1812322C91	BEARING, Main (.010)	8	NAV1814607C1	RING, Wear
1	NAV1812323C91	BEARING, Main (.020)	9	NAV1812376C92	KIT, Front Seal Includes Wear Ring (1)436051 Seal (1)BOS-8976
1	NAV1812324C91	BEARING, Main (.030)	10	NAV1812329C94	KIT, Rear Seal Includes Rear Seal Kit(1)436028 Sealant (1)BSR-0385
2	NAV1802220C92	BEARING, Main (STD)			
2	NAV1802221C92	BEARING, Main (.010)			
2	NAV1802222C92	BEARING, Main (.020)			
2	NAV1802223C92	BEARING, Main (.030)			
2	NAV1812325C91	BEARING, Main (STD)			
2	NAV1812326C91	BEARING, Main (.010)			
2	NAV1812327C91	BEARING, Main (.020)			
2	NAV1812328C91	BEARING, Main (.030)			
3	N/A	SET, Main Bearing (STD) Includes Bearings (4)470175 (1)470180			
3	N/A	SET, Main Bearing (.010) Includes Bearings (4)470176 (1)470181			
3	N/A	SET, Main Bearing (.020) Includes Bearings (4)470177 (1)470182			
3	N/A	SET, Main Bearing (.030) Includes Bearings (4)470178 (1)470183			
3	N/A	SET, Main Bearing (STD) Includes Bearings (4)470190 (1)470194			
3	N/A	SET, BEARING, MAIN (.010) Includes Bearings (4)470191 (1)470195			
3	N/A	SET, BEARING, MAIN (.020) Includes Bearings (4)470192 (1)470196			
3	N/A	SET, BEARING, MAIN (.030) Includes Bearings (4)470193 (1)470197			
4	NAV1800777C1	GEAR, Flywheel, Ring (7.3 units) (444E)(Used w/460044/460047 Flywheel Assembly 137 Teeth)			



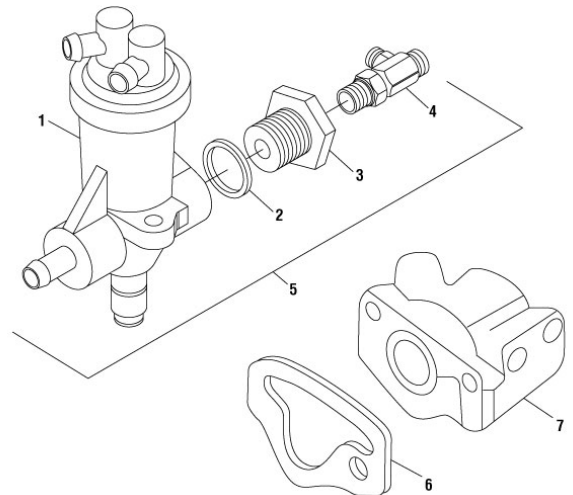
7.3 SERIES / 444 SECTION – PISTONS, CYLINDER KITS, ROD BEARINGS AND RING SETS

KEY	OEM REF	DESCRIPTION	KEY	OEM REF	DESCRIPTION
1	NAV1813171C92	SET, Ring	4	NAV1828471C1	RETAINER (VT365)
1	NAV1830949C92	SET, Ring (STD)	5	NAV1804321C1	PIN, Piston
1	NAV1830950C92	SET, Ring (.010)	5	NAV1809339C1	PIN, Piston
1	NAV1830951C92	SET, Ring (.020)	5	NAV1828029C1	PIN, Piston
1	NAV1830952C92	SET, Ring (.030)	6	NAV1804000C1	BUSHING, Connecting Rod
1	NAV1843267C91	SET, RING (.030) (VT365)	6	NAV1804000C1	BUSHING, Connecting Rod
2	NAV1816674C91	KIT, Piston Includes Piston (1)410081 Pin (1)410008 Retainer (2)410007	7	NAV1805616C92	ROD, Connecting
2	N/A	KIT, Piston (STD) Includes Piston (1)410085 Pin (1)410013 Retainers (2)410009	8	NAV1813154C1	PISTON (STD)
2	N/A	KIT, Piston (.010) Includes Piston (1)410086 Pin (1)410013 Retainers (2)410009	8	NAV1824284C1	PISTON (STD)
2	N/A	KIT, Piston (.020) Includes Piston (1)410087 Pin (1)410013 Retainers (2)410009	8	NAV1830898C1	PISTON (.010)
2	N/A	KIT, Piston (.030) Includes Piston (1)410088 Pin (1)410013 Retainers (2)410009	8	NAV1830899C1	PISTON (.020)
2	NAV1845154C91	KIT, Piston (.030) (VT365) Includes Piston (1) 410109 Pin (1) 410028 Retainer (2) 410014	8	NAV1830900C1	PISTON (.030)
3	NAV1802200C3	BEARING, Rod (STD)	9	NAV1830953C92	KIT, Piston/Ring (STD) Includes Piston Kit (1)410090 Ring Set (1)405050
3	NAV1802201C3	BEARING, Rod (.010)	9	NAV1830954C92	KIT, Piston/Ring (.010) Includes Piston Kit (1)410091 Ring Set (1)405054
3	NAV1802202C3	BEARING, Rod (.020)	9	NAV1830955C92	KIT, Piston/Ring (.020) Includes Piston Kit (1)410092 Ring Set (1)405058
3	NAV1802203C3	BEARING, Rod (.030)	9	NAV1830956C92	KIT, Piston/Ring (.030) Includes Piston Kit (1)410093 Ring Set (1)405062
3	NAV1812301C1	BEARING, Rod (STD)			
3	NAV1812302C1	BEARING, Rod (.010)			
3	NAV1812303C1	BEARING, Rod (.020)			
3	NAV1812304C1	BEARING, Rod (.030)			
4	NAV1804308C1	RETAINER			
4	NAV1814326C1	RETAINER			



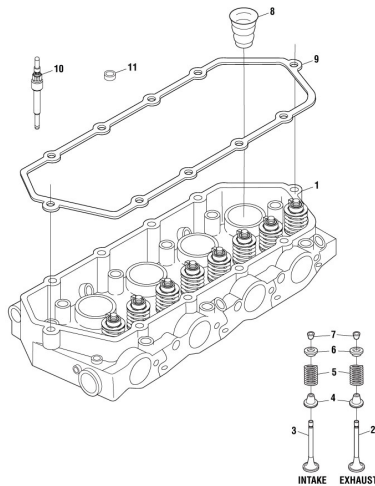
7.3 SERIES / 444 SECTION – OIL COOLER

KEY	OEM REF	DESCRIPTION
1	NAV1858192C1	GASKET, Front Header
2	NAV1820653C1	HEADER, Oil Cooler Front
3	NAV1807563C1	O-RING
4	NAV1804414C1	O-RING
5	NAV1815904C2	COOLER, Oil (444E)
6	NAV1831665C1	GASKET, Rear Header
7	NAV1818377C93	HEADER, Lube Filter
8	N/A	KIT, Oil Cooler Gasket Includes Oil Cooler Gaskets (1)431338 (1)431339 Oil O-Rings (2)421227 (2)421228



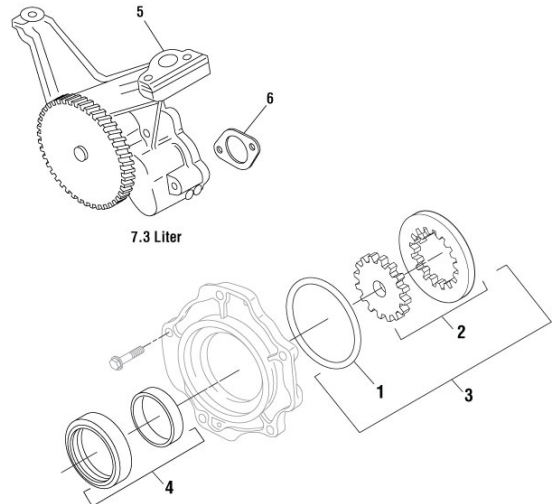
7.3 SERIES / 444 SECTION – FUEL PUMP

KEY	OEM REF	DESCRIPTION
1	NAV1824415C93	PUMP, Fuel
2	NAV1820650C1	WASHER, Seal
3	NAV1826674C1	ADAPTER, Fuel Pump
4	NAV1826730C1	FITTING, Tee Fuel ("T" 3/8")
5	NAV1826794C93	ASSEMBLY, Fuel Pump
6	NAV1825163C2	GASKET, PUMP
7	NAV1825248C91	PUMP, FUEL



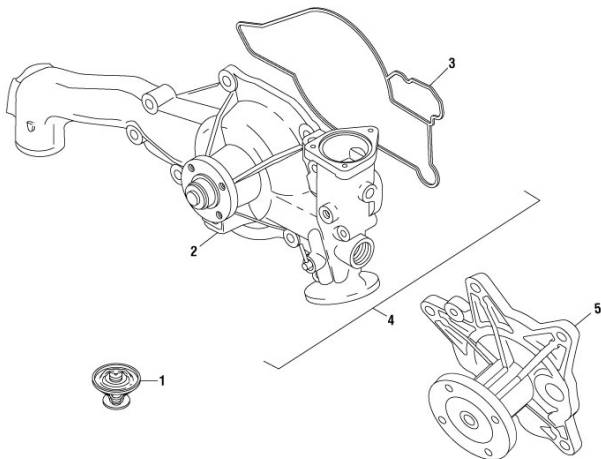
7.3 SERIES / 444 SECTION – CYLINDER HEAD

KEY	OEM REF	DESCRIPTION
1	NAV1825114C91	HEAD, Cylinder
2	NAV1823452C1	VALVE, Exhaust
3	NAV1823453C1	VALVE, INTAKE
4	NAV1816179C91	SEAL, ASM. Valve
4	NAV1820782C91	SEAL, VALVE
5	NAV317365C11	SPRING, Valve
6	NAV1812258C1	KEY, Valve System
7	NAV1810944C1	LOCK, VALVE
8	NAV1814376C1	SLEEVE, INJ.
9	NAV1818350C2	GASKET, Valve Cover w/4 5 Pin Connectors
9	NAV1826703C1	GASKET, V'COVER w/1 10 Pin Connector
10	NAV1819649C1	GLOWPLUG (7.3 Series)
10	NAV1820697C2	GLOWPLUG (T444 Series)
11	PKR60VL-6	GROMMET, Fuel Lines



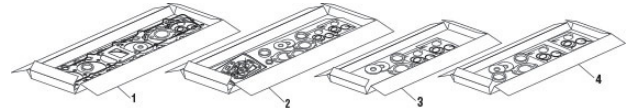
7.3 SERIES / 444 SECTION – OIL PUMP

KEY	OEM REF	DESCRIPTION
1	NAV1831516C1	SEAL, Oil Pump
2	NAV1814589C3	ROTOR, Oil Pump
3	NAV1830813C92	KIT, Oil Pump Rotator (T444E) Includes Seal (1)431341 Rotor (1)441198
4	NAV1812376C92	KIT, Front Seal (T444E) Includes Wear Ring (1)436051 Seal (1)BOS-8976
5	NAV1805398C94	PUMP, Oil (7.3)
6	NAV1804057C2	GASKET, Oil Pick-up
6	NAV1815899C3	GASKET, Tube
6	NAV1823671C1	GASKET, Tube



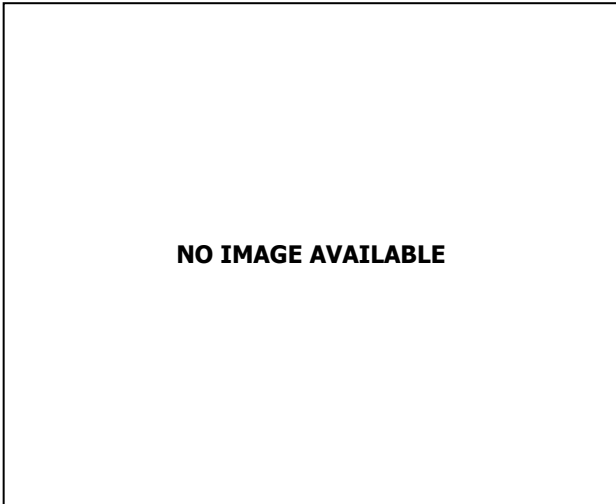
7.3 SERIES / 444 SECTION – WATER PUMP

KEY	OEM REF	DESCRIPTION
1	NAV1845804C2	THERMOSTAT (192 deg.) (Used w/ Iron Housing)
1	NAV1845805C2	THERMOSTAT (180 deg) (Used w/ Aluminum Housing)
2	NAV1833766C91	ASSEMBLY, Water Pump (T444E)
3	NAV1858160C1	GASKET, Water Pump (T444E)
4	NAV1831676C92	KIT, Water Pump (T444E) Includes Pump Assembly (1)481816 Gasket (1)431302
5	NAV1832498C91	PUMP, Water (Maxforce 7)



7.3 SERIES / 444 SECTION – GASKET KITS

KEY	OEM REF	DESCRIPTION
1	NAV1811050C97	KIT, Upper Gasket
2	NAV1802213C99	KIT, Lower Gasket
3	NAV1831673C93	KIT, Crankcase Gasket
4	NAV1831680C95	KIT, Front Timing Cover Gasket



7.3 SERIES / 444 SECTION – MISCELLANEOUS

KEY	OEM REF	DESCRIPTION
1	NAV1834714C1	GASKET, Left Front Cover
1	NAV1831715C1	GASKET, Right Front Cover
1	NAV1818357C1	GASKET, High Pressure Fuel Pump
1	NAV1815898C3	GASKET, Fuel Mount Pump
1	NAV1823670C1	GASKET, Oil Reservoir
1	NAV1831316C2	GASKET, Oil Reservoir (w/Screen)

**MISCELLANEOUS COMPONENTS SECTION – SENSORS –
SENSOR CONNECTORS**

KEY	OEM REF	DESCRIPTION
1	CUM3104345	HARNESS, Sensor
2	N/A	HARNESS, Sensor
3	CAT2495294	HARNESS, Wire
4	DDC23513558	HARNESS, Engine Wiring
5	MAK41MR4401BM	HARNESS, Engine Wiring
6	MAK41MR3880M15	HARNESS, Engine Wiring
7	MAK20838672	HARNESS, Wiring (2 Pin/2 Wire)
8	N/A	ASSEMBLY, Connector (2 Pin/2 Wire)
9	N/A	ASSEMBLY, Connector (3 Pin/3 Wire)
10	N/A	ASSEMBLY, Connector (2 Pin/2 Wire)
11	N/A	ASSEMBLY, Connector (3 Pin/3 Wire)
12	CUM3056356	ASSEMBLY, Connector (3 Pin/3 Wire)
13	N/A	ASSEMBLY, Connector (3 Pin/3 Wire)
14	N/A	ASSEMBLY, Connector (2 Pin/2 Wire)
15	N/A	ASSEMBLY, Connector (3 Pin/3 Wire)
16	N/A	ASSEMBLY, Connector (2 Pin/2 Wire)
17	DDCA0001500320	ASSEMBLY, Connector

MISCELLANEOUS COMPONENTS SECTION – SENSORS



ABS SENSORS



EXHAUST MANIFOLD PRESSURE SENSORS



PRESSURE SWITCHES



CAM/CRANK POSITION SENSORS



BRAKE LIGHTS SENSORS

MISCELLANEOUS COMPONENTS SECTION – SENSORS –
PRESSURE SENSORS



KEY	OEM REF	DESCRIPTION
	NAV1812818C2	SENSOR, Pressure
	N/A	ASSEMBLY, Connector (3 Pin / 3 Wire Pigtail)



KEY	OEM REF	DESCRIPTION
	NAV1845274C92	KIT, Pressure Sensor Includes Sensor (1)450588 O-Ring (1)321275
	N/A	SENSOR, Pressure
	N/A	ASSEMBLY, Connector (3 Pin / 3 Wire Pigtail)



KEY	OEM REF	DESCRIPTION
	NAV1830669C92	SENSOR, Pressure
	N/A	ASSEMBLY, Connector (3 Pin / 3 Wire Pigtail)



KEY	OEM REF	DESCRIPTION
	NAV1845428C92	KIT, Pressure Sensor Includes Sensor (1)450591 O-Ring (1)121289
	NAV1845427C2	SENSOR, PRESS.
	N/A	ASSEMBLY, Connector (3 Pin / 3 Wire Pigtail)



KEY	OEM REF	DESCRIPTION
	NAV1824382C1	SENSOR, Pressure



KEY	OEM REF	DESCRIPTION
	NAV1845536C91	KIT, Pressure Sensor Includes Sensor (1)450594 O-Ring (1)121289
	NAV1845535C1	SENSOR, Injector Pressure



KEY	OEM REF	DESCRIPTION
	NAV1833031C1	SENSOR, Pressure
	NAV1807329C92	KIT, Pressure Sensor Includes Sensor (1)450586 O-Ring (1)321275
	NAV1824216C2	SENSOR, PRESS.
	N/A	ASSEMBLY, Connector (3 Pin / 3 Wire Pigtail)



KEY	OEM REF	DESCRIPTION
	NAV1839415C91	KIT, Pressure Sensor Includes Sensor (1)450596 O-Ring (1)321270
	NAV1839832C1	SENSOR, PRESS
	N/A	ASSEMBLY, Connector (3 Pin / 3 Wire Pigtail)

MISCELLANEOUS COMPONENTS SECTION – SENSORS – PRESSURE SENSORS



KEY	OEM REF	DESCRIPTION
	NAV1875784C93	KIT, Pressure Sensor Includes Sensor (1)450609 O-Ring (1)121289
	NAV1875786C2	SENSOR, Pressure



KEY	OEM REF	DESCRIPTION
	NAV1807369C2	SENSOR, Pressure
	N/A	ASSEMBLY, Connector (3 Pin/3 Wire Pigtail)



KEY	OEM REF	DESCRIPTION
	NAV1873400C92	SENSOR, Pressure

MISCELLANEOUS COMPONENTS SECTION – SENSORS – TEMPERATURE SENSORS



KEY	OEM REF	DESCRIPTION
	NAV1675751C1	SENSOR, Temperature
	N/A	ASSEMBLY, Connector(2 Pin/2 Wire)
	NAV1814320C1	SENSOR,T emperature



KEY	OEM REF	DESCRIPTION
	NAV479758C1	SENSOR, Temperature



KEY	OEM REF	DESCRIPTION
	NAV1889995C91	KIT, Temperature Sensor Includes Sensor (1)450605 Harness (1)450604-010 Shrink Tubing (2)450604-009 Butt Connectors (2)450604-008
	NAV1889511C1	SENSOR, Temperature



KEY	OEM REF	DESCRIPTION
	NAV1836539C91	KIT, Temperature Sensor Includes Sensor (1)450607 O-Ring (1)121321
	NAV1838781C1	SENSOR, Temperature

MISCELLANEOUS COMPONENTS SECTION – SENSORS –
SPEED SENSORS



KEY	OEM REF NAV556916C91 N/A	DESCRIPTION SENSOR, Tachometer (Electric) ASSEMBLY, Connector (2 Pin/2 Wire)
------------	---------------------------------------	--



KEY	OEM REF NAV2503117C1	DESCRIPTION SENSOR, Speedometer
------------	--------------------------------	---



KEY	OEM REF NAV556915C91 N/A	DESCRIPTION SENSOR, Tachometer ASSEMBLY, Connector (2 Pin/2 Wire)
------------	---------------------------------------	---



KEY	OEM REF NAV3528003C1 N/A	DESCRIPTION SENSOR, Electric Speedometer ASSEMBLY, Connector (2 Pin / 2 Wire)
------------	---------------------------------------	---



KEY	OEM REF NAV1669290C91 N/A	DESCRIPTION SENSOR, Tachometer (Electric) ASSEMBLY, Connector (2 Pin/2 Wire)
------------	--	--



KEY	OEM REF NAV1658556C91 N/A	DESCRIPTION SENSOR, Dual Speedometer ASSEMBLY, Connector (2 Pin/2 Wire)
------------	--	---

MISCELLANEOUS COMPONENTS SECTION – SENSORS –
 BOOST PRESSURE SENSORS (MAP)



KEY	OEM REF	DESCRIPTION
	NAV1839416C91	KIT, Manifold Pressure Sensor Includes Sensor (1)450632 O-Ring (1)321241
	NAV1839833C1	SENSOR, Pressure
	N/A	ASSEMBLY, Connector (3 Pin/3 Wire)



KEY	OEM REF	DESCRIPTION
	NAV1846481C92	KIT, Pressure Sensor Includes Sensor (1)450634 O-Ring (1)321241
	NAV1854209C2	SENSOR, Pressure
	N/A	ASSEMBLY, Connector (3 Pin/3 Wire)

MISCELLANEOUS COMPONENTS SECTION – SENSORS –
 LEVEL SENSORS



KEY	OEM REF	DESCRIPTION
	NAV3596358F91	SENSOR, Fuel Level

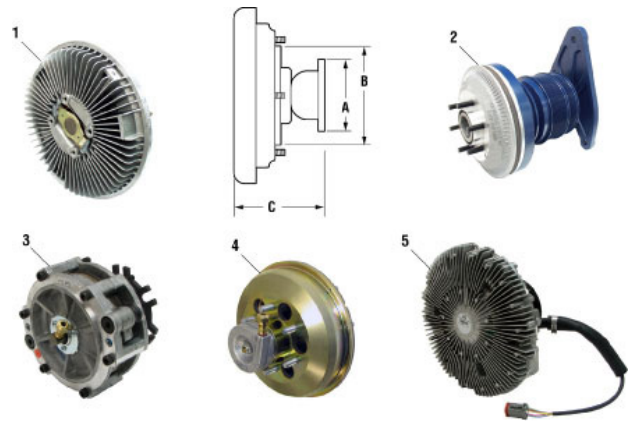


KEY	OEM REF	DESCRIPTION
	NAV3596382C92	SENSOR, Fuel Level
	N/A	ASSEMBLY, Connector (2 Pin/2 Wire)



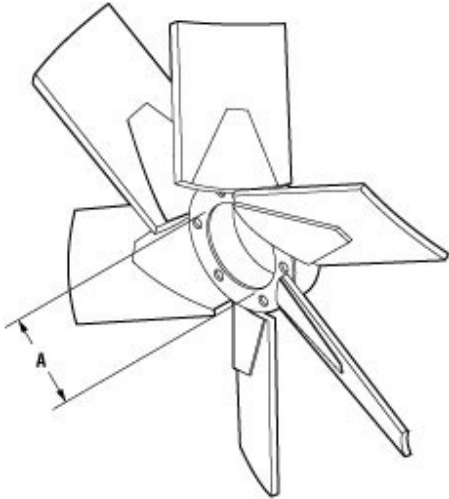
**MISCELLANEOUS COMPONENTS SECTION – SENSORS –
COOLANT SENSORS**

KEY	OEM REF	DESCRIPTION
	NAV2587324C1	SENSOR, Coolant Level

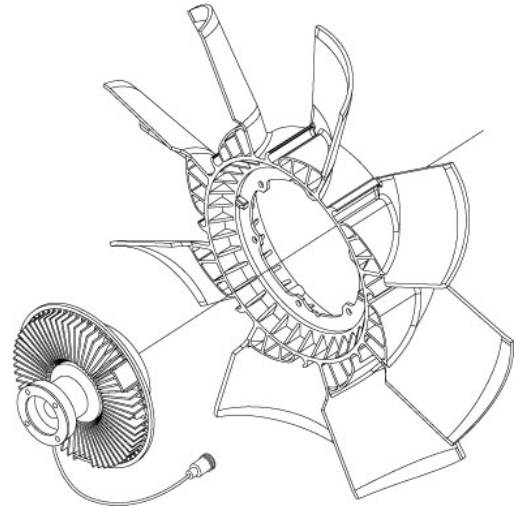


**MISCELLANEOUS COMPONENTS SECTION – COOLING
SYSTEM – FAN CLUTCHES**

KEY	OEM REF	DESCRIPTION
1	MAK38MH322M2	CLUTCH, FAN
1	NAV2601973C1	CLUTCH
1	NAV2602193C1	CLUTCH, FAN
1	MAK38MH423AM	CLUTCH, FAN
1	NAV2001023C1	CLUTCH, FAN
1	NAV2001023C1	CLUTCH, FAN
1	MAK7536-167118	CLUTCH, FAN
1	MAK7536-197879	CLUTCH, FAN
1	MAK7536-187242	CLUTCH, FAN
1	MAK38MH416	EFC-1640B
1	MAK38MH416	CLUTCH, FAN
1	MAK1MH29305P2	LONGER
1	MAK38MH315A	LONGER
1	MAK38MH416P2	CLUTCH, FAN
1	HTN9902002	CLUTCH, FAN
1	MAK38MH414M	CLUTCH
1	MAK38MH414M	CLUTCH, FAN
1	NAV3522786C4	CLUTCH, FAN
1	NAV3540116C4	CLUTCH, FAN
1	NAV3584438C3	CLUTCH, FAN
1	NAV2038840C1	CLUTCH, FAN
2	MAK40MH441M	CLUTCH, FAN
2	MAK40MH441M	FAN, Clutch (Reman)
2	MAK40MH440M	CLUTCH, FAN
2	HTN999357	CLUTCH, FAN
3	HTN991451	CLUTCH, FAN
4	BGC1090-08000-01	CLUTCH
4	MAK40MH51	CLUTCH, FAN
5	MAK38MH425AM	CLUTCH, FAN
5	MAK38MH428M	CLUTCH, FAN
5	MAK85115602	CLUTCH, FAN
5	MAK85115603	CLUTCH, FAN
5	MAK85115604	CLUTCH, FAN
5	MAK85111561	CLUTCH, FAN
5	MAK85111563	CLUTCH, FAN
6	MAK4769-10900950001	CLUTCH
6	NAV2602141C91	CLUTCH, FAN


MISCELLANEOUS COMPONENTS SECTION – COOLING SYSTEM – FAN BLADES

KEY	OEM REF	DESCRIPTION
	MAK2MH414P23	FAN
	MAK2MH414P56	FAN
	MAK2MH414P70	FAN
	MAK2MH48P41	FAN
	CUM3911320	FAN
	MAK2MH414P64	FAN
	MAK2MH48P40	FAN
	MAK2MH460	FAN
	MAK2MH443	FAN
	MAK2MH360M	FAN
	MAK2MH429	FAN
	MAK2MH453	FAN
	MAK2MH365	FAN
	MAK2MH368	FAN
	MAK2MH444	FAN
	NAV1647411C3	FAN
	MAK2MH446	FAN
	MAK2MH445	FAN
	MAK2MH367M	FAN
	MAK85111560	FAN
	NAV1610891C2	FAN
	MAK2MH517M	FAN
	MAK85111558	FAN
	VOL20477428	FAN
	NAV2010884C1	FAN
	VOL3973733	FAN
	NAV2005452C1	FAN
	NAV2022048C1	FAN
	NAV2000729C2	FAN
	NAV3507486C1	FAN
	NAV3507485C1	FAN
	NAV3625639C1	FAN
	MAK2MH29304	FAN
	MAK85111556	FAN

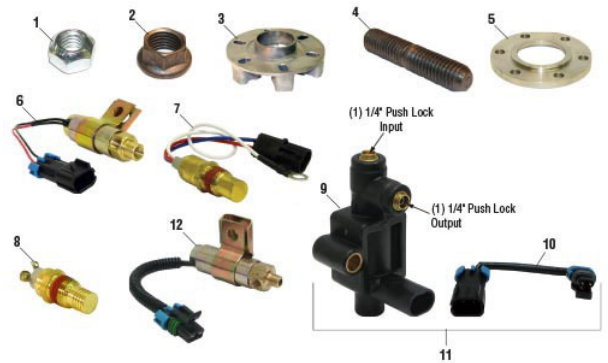

MISCELLANEOUS COMPONENTS SECTION – COOLING SYSTEM – FAN CLUTCH ASSEMBLY

KEY	OEM REF	DESCRIPTION
1	MAK43MH59M	ASSEMBLY, Fan/Clutch Includes Fan (1)801124 Fan Clutch (1)801095



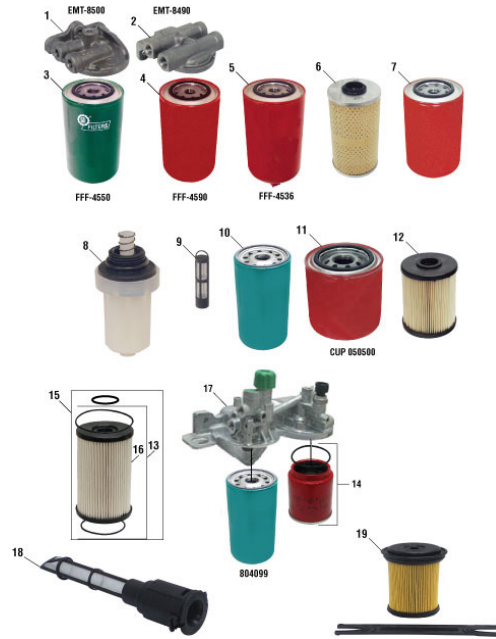
MISCELLANEOUS COMPONENTS SECTION – COOLING SYSTEM – FAN HUB ASSEMBLY

KEY	OEM REF	DESCRIPTION
1	MAK134GB385M	ASSEMBLY, Fan Hub



MISCELLANEOUS COMPONENTS SECTION – COOLING SYSTEM – FAN CLUTCH COMPONENTS

KEY	OEM REF	DESCRIPTION
1	CUM142176	NUT, Locking (1-1/8in-12)
1	MAK8235-NL251	NUT, Locking (5/16in-18)
2	MAK21AX856	NUT (3/8in x 24)(E6)
2	MAK191AM2	NUT (M8-1.25)(E7)
3	N/A	ADAPTER (For use w/ Fiberglass Fan)
4	MAK16AX824	STUD, Fan Clutch Mounting (E6) (3/8in-24NF x 1-7/16in)
4	MAK107AM5019	STUD, Fan Clutch Mounting (E7) (M8 x 1.25 x 40)
5	MAK24MH163	SPACER (5/16in thk) (Used w/Fan EFN-8638 to replace Fan EFN-1650)
6	NAV1689785C91	VALVE, Air Solenoid
6	MAK20QE3373	VALVE, Air Solenoid, Complete (For Horton) (12V)
7	NAV1684560C92	SWITCH, Fan
8	NAV1685132C92	SWITCH, Fan (1/2in Thread) (N/C 195 deg)
8	MAK3912-993603	SWITCH, Fan (1/2in thread) (N/C 190 deg)
8	MAK3912-993606	SWITCH, Fan (1/2in thread) (N/C 200 deg)
8	MAK3912-993607	SWITCH, Fan (1/2in thread) (N/C 205 deg)
8	MAK3912-993610	SWITCH, Fan (3/8in thread) (N/O 195 deg)
8	MAK3912-993615	SWITCH, Fan (1/2in thread) (N/O 180 deg)
8	MAK3912-993616	SWITCH, Fan (1/2in thread) (N/O 185 deg)
8	MAK3912-993617	SWITCH, Fan (1/2in thread) (N/O 190 deg)
8	MAK3912-993619	SWITCH, Fan (1/2in thread) (N/C 185 deg)
8	MAK3912-993653	SWITCH, Fan (1/2in thread) (N/O 195 deg)
8	MAK3912-993654	SWITCH, Fan (1/2in thread) (N/O 200 deg)
8	MAK3912-993655	SWITCH, Fan (1/2in thread) (N/O 205 deg)
9	MAK9538-5030111	VALVE, Air Solenoid (12 VDC) (2 Pin) (Normally Closed Input)
10	MAK20856026	HARNESS, Solenoid (2 Pin)
11	N/A	KIT, Air Solenoid Includes Valves (1)845050 Harness (1)845051
1	FTLA06-26631-000	VALVE, Air Solenoid (12 VDC) (N/O) (2) 1/8in NPTF Female (1) 1/8in NPTF Male



**MISCELLANEOUS COMPONENTS SECTION – FILTERS –
FUEL FILTERS AND BRACKETS**

KEY	OEM REF	DESCRIPTION	KEY	OEM REF	DESCRIPTION
1	MAK32GB160P2	BRACKET, Secondary Fuel Filter	13	NAV1873917C91	FILTER, Fuel Includes Filter (1)450519 O-Rings (1)421236 (1)421235
1	MAK32GB258P2	BRACKET, Secondary Fuel Filter	14	MAK21380521	FILTER, Primary Fuel
2	MAK32GB39P2	BRACKET, Primary Fuel Filter (Used w/ FFF-5531 Filter)	15	NAV1878042C92	KIT, Fuel Filter Includes Filter Kit (1)450527 O-Ring (1)421235
2	MAK32GB163	BRACKET, Primary Fuel Filter	16	NAV1874438C1	FILTER, Fuel (used in 450527)
3	CUM3903640	FILTER, Secondary Fuel	17	MAK21023285	HOUSING, Fuel Filter (MP 7, MP 8)
3	NAV672603C3	FILTER, Secondary Fuel (Red)	18	MAK82269261	FILTER, DEF Filter
3	MAK483GB218B	FILTER, Secondary Fuel (Green)	19	MAK21516231	FILTER, DEF Filter
3	MAK483GB431	FILTER, Secondary Fuel (Green)			
3	MAK483GB476M	FILTER, Secondary Fuel (Green)			
3	MAK483GB471M	FILTER, Secondary Fuel (Green)			
4	NAV625627C1	FILTER, Primary Fuel (Red)			
4	MAK483GB219A	FILTER, Primary Fuel (Red)			
5	CUM3331096	FILTER, Fuel/Water Separator			
4	MAK483GB470AM	FILTER, Primary Fuel (Red)			
5	CUM3903410	FILTER, Fuel/Water Separator			
5	CUM3329289	FILTER, Fuel/Water Separator			
5	CUM3308638	FILTER, Fuel/Water Separator			
5	MAK483GB465	FILTER, Primary Fuel (w/ Water Separator Drain)			
6	MAK301SD19B	FILTER, Fuel			
7	NAV1822588C1	FILTER, Final Fuel			
8	MAK483GB372M	FILTER, Fuel			
9	NAV1825181C91	FILTER, Prescreen Fuel			
10	CUM4920586	FILTER, Fuel (Spin-on)			
10	CAT1R0750	FILTER, Fuel (Spin-on)			
10	DDC23518481	FILTER, Fuel, Primary			
10	DDC23518482	FILTER, Fuel, Secondary			
10	MAK483GB477M	FILTER, Secondary Fuel			
10	MAK20972295	FILTER, Secondary Fuel			
11	CUM3315844	FILTER, Fuel			
11	CUM3315847	FILTER, Fuel			
12	CUM3945213	FILTER, Fuel (ISB)			
13	NAV1842638C92	FILTER, Fuel			



MISCELLANEOUS COMPONENTS SECTION – FILTERS – OIL FILTERS

KEY	OEM REF	DESCRIPTION
1	CUM3401544	FILTER, Oil
1	CUM4367100	FILTER,Oil
1	NAV1811953C1	FILTER, Oil
1	NAV1833121C1	FILTER, Oil
1	MAK485GB3191C	FILTER, Oil (Spin-On)
2	MAK57GC2134	FILTER, Oil (Centrifugal Type)
2	MAK57GC2187	FILTER, Oil (Centrifugal Type)
3	MAK485GB3236	FILTER (Spin-On)
3	MAK20843764	FILTER, Oil (Bypass)
4	MAK57GC2231	FILTER, Oil (.492in ID Bushing) (Used in EMT-8528)
4	MAK57GC2206	FILTER, Oil Kit (.631in ID Bushing)
5	NAV1842639C92	FILTER, Oil
6	CUM3889310	FILTER, Oil
6	CUM3318853	FILTER, Oil
6	CUM3304232	FILTER, Oil
6	CUM256838	FILTER, Oil
6	CAT1R0716	FILTER, Oil
6	CAT1R0739	FILTER, Oil
6	DDC23527033	FILTER, Oil
6	DDC23518671	FILTER, Oil
7	CUM3932217	FILTER, Oil(ISB)
8	MAK485GB4365M	ASSEMBLY,Oil Filter (ASET)
9	MAK485GB3219D	KIT, Filter (E6/E7) Includes Filter (1)FOF-4571 Canister & Gasket



MISCELLANEOUS COMPONENTS SECTION – FILTERS – OIL FILTER ELEMENT

KEY	OEM REF	DESCRIPTION
1	MAK236GB311A	FILTER, Oil Element
2	MAK343SB87	O-RING, Oil Filter
3	MAK5081-3654	O-RING, Oil Filter



**MISCELLANEOUS COMPONENTS SECTION – FILTERS –
AIR FILTERS**

KEY	OEM REF	DESCRIPTION
1	MAK57MD31A	FILTER, Air (Engine)
1	MAK57MD21A	FILTER, Air (Engine)
1	MAK57MD26	FILTER, Air (Engine)
1	MAK57MD33	FILTER, Air (Engine)
1	MAK57MD29301	FILTER, Air (Engine)
1	MAK57MD29305	FILTER, Air (Engine)
1	MAK57MD32	FILTER, Air (Engine)
1	MAK57MD25P2	FILTER, Air (Engine)
2	MAK57MD27	FILTER, Air (Engine)
3	MAK57MD42M	FILTER, Air (Engine) (CH)
4	MAK57MD320M	FILTER, Air (Engine)
5	MAK57MD318	FILTER, Air (Engine)
5	MAK57MD46M	FILTER, Air (Engine)
6	MAK279GB43M	FILTER, Air (Engine) (ASET)
7	MAK57MD24	FILTER, Air (Engine)

**MISCELLANEOUS COMPONENTS SECTION – FILTERS –
WATER FILTERS AND BRACKETS**

KEY	OEM REF	DESCRIPTION
1	CUM3318201	FILTER, Water/Conditioner (Spin-On)
1	CUM3315115	FILTER, Water/Conditioner (Spin-On)
1	CUM3316053	FILTER, Water/Conditioner (Spin-On)
1	CUM3318318	FILTER, Water/Conditioner (Spin-On)
1	MAK25MF435A	FILTER, Water (Spin-On)
2	CUM3315116	FILTER, Water (Spin-On)
2	DDC23516489	FILTER, Water (Spin-On)
2	MAK25MF436	FILTER, Water (Spin-On)
3	MAK32GB354P2	BRACKET, Coolant
4	MAK32GB415	BRACKET, Coolant (Use w/ FWF-4521 Filter)
5	MAK387GC32	SCREEN, Coolant

MISCELLANEOUS SECTION – BELT TENSIONERS



KEY	OEM REF	DESCRIPTION
1	CUM4987964	TENSIONER, Belt
1	CUM3947574	TENSIONER, Belt
1	CUM3682946	TENSIONER, Belt
1	CUM3400885	TENSIONER, Belt
1	CUM4920105	TENSIONER, Belt
1	CUM4937433	TENSIONER, Belt
1	MAK21422765	TENSIONER, Belt



KEY	OEM REF	DESCRIPTION
2	CUM3935819	TENSIONER, Belt
2	CUM3973822	TENSIONER, Belt
2	CUM4059202	TENSIONER, Belt
2	CUM3936197	TENSIONER, Belt
2	CUM3936201	TENSIONER, Belt
2	CUM3937556	TENSIONER, Belt
2	CUM2891940	TENSIONER, Belt
2	CUM4059203	TENSIONER, Belt
2	CAT1900649	TENSIONER, Belt
2	CAT1352151	TENSIONER, Belt
2	NAV1830033C1	TENSIONER, Belt
2	NAV1687801C91	TENSIONER, Belt
2	NAV1873217C2	TENSIONER, Belt
2	DDC23527565	TENSIONER, Belt
2	FTL01-27846-000	TENSIONER, Belt
2	MAK87GB41A	TENSIONER, Belt



KEY	OEM REF	DESCRIPTION
3	CUM5333480	TENSIONER, Belt (Serpentine Belt)
3	CUM3937555	TENSIONER, Belt
3	CUM3936213	TENSIONER, Belt
3	MAK87GB46A	TENSIONER, Belt



KEY	OEM REF	DESCRIPTION
4	CUM4059201	TENSIONER, Belt



KEY	OEM REF	DESCRIPTION
5	MAK21454379	TENSIONER, Belt



KEY	OEM REF	DESCRIPTION
6	MAK20935523	TENSIONER, Belt



KEY	OEM REF	DESCRIPTION
7	VOL21479276	TENSIONER, Belt
7	MAK20860873	TENSIONER, Belt


MISCELLANEOUS COMPONENTS SECTION – BELTS

KEY	OEM REF	DESCRIPTION
1	MAK2428-425761	BELT, V Notched (1 Piece)
1	MAK88GB439P376	BELT, V Notched (1 Piece)
1	MAK88GB439P391	BELT, V Notched (1 Piece)
1	CUM178657	BELT, V Notched (1 Piece)
1	MAK88GB439P411	BELT, V Notched (1 Piece)
1	MAK88GB439P421	BELT, V Notched (1 Piece)
1	MAK88GB439P431	BELT, V Notched (1 Piece)
1	MAK88GB439P436	BELT, V Air Conditioner (1 Piece)
1	CUM3058383	BELT, V Notched (1 Piece)
1	MAK88GB439P457	BELT, V Notched (1 Piece)
1	MAK88GB439P462	BELT, V Notched (1 Piece)
1	CAT9L6653	BELT, V Notched (1 Piece)
1	MAK2428-425762	BELT, V Notched (1 Piece)
1	CUM178679	BELT, V Notched (1 Piece)
1	MAK88GB439P491	BELT, V Notched (1 Piece)
1	CUM134809	BELT, V Notched (1 Piece)
1	MAK88GB439P506	BELT, V Notched (1 Piece)
1	MAK88GB439P516	BELT, V Notched (1 Piece)
1	MAK88GB439P532	BELT, V Notched (1 Piece)
1	MAK88GB439P552	BELT, V Notched (1 Piece)
1	CAT4N8216	BELT, V Notched (1 Piece)
1	CAT9L6639	BELT, V Notched (1 Piece)
1	CAT9L6641	BELT, V Notched (1 Piece)
1	MAK88GB439P602	BELT, V Notched (1 Piece)
1	CAT9L6643	BELT, V Notched (1 Piece)
1	CAT4N2531	BELT, V Notched (1 Piece)
1	MAK88GB439P622	BELT, V Notched (1 Piece)
1	CAT9L6645	BELT, V Notched (1 Piece)
1	CAT6N6657	BELT, V Notched (1 Piece)
1	MAK88GB439P642	BELT, V Notched (1 Piece)
1	CAT4N8218	BELT, V Notched (1 Piece)
1	MAK88GB439P652	BELT, V Notched (1 Piece)
1	MAK88GB354P30	BELT, V Power Steering (1 Piece)
1	CAT7S9859	BELT, V Notched (1 Piece)

KEY	OEM REF	DESCRIPTION
1	MAK88GB439P662	BELT, V Notched (1 Piece)
1	CAT9L6647	BELT, V Notched (1 Piece)
1	MAK88GB439P672	BELT, V Notched (1 Piece)
1	MAK88GB196	BELT, V Notched (1 Piece)
1	CAT9L6649	BELT, V Notched (1 Piece)
1	CAT6N6654	BELT, V Notched (1 Piece)
1	MAK88GB439P722	BELT, V Notched (1 Piece)
1	CAT4N8277	BELT, V Notched (1 Piece)
1	MAK88GB439P732	BELT, V Notched (1 Piece)
1	CAT6N6650	BELT, V Notched (1 Piece)
2	CAT9L6654	SET, V-BELT (2 Piece)
2	CAT4N8217	SET, V-BELT (2 Piece)
2	CAT9L6640	SET, V-BELT (2 Piece)
2	CAT9L6642	SET, V-BELT (2 Piece)
2	CAT9L6644	SET, V-BELT (2 Piece)
2	CAT4N2532	SET, V-BELT (2 Piece)
2	CAT9L6646	SET, V-BELT (2 Piece)
2	CAT9L6724	SET, V-BELT (2 Piece)
2	CAT7S9860	SET, V-BELT (2 Piece)
2	CAT9L6648	SET, V-BELT (2 Piece)
2	MAK88GB437P2	SET, V-BELT (2 Piece)
2	MAK88GB437	SET, V-BELT (2 Piece)
2	MAK88GB354P12	SET, V-BELT (2 Piece)
2	CAT9L6650	SET, V-BELT (2 Piece)
2	CAT9L6725	SET, V-BELT (2 Piece)
3	CAT6N6798	SET, V-BELT (3 Piece)
3	CAT6N6656	SET, V-BELT (3 Piece)
3	CAT6N6652	SET, V-BELT (3 Piece)
3	MAK88GB354P52	SET, V-BELT (3 Piece)
3	MAK88GB354P50	SET, V-BELT (3 Piece)
3	CAT6N6655	SET, V-BELT (3 Piece)
3	CAT4N8278	SET, V-BELT (3 Piece)
3	CAT6N6651	SET, V-BELT (3 Piece)

Continued


MISCELLANEOUS COMPONENTS SECTION – BELTS
Continued

KEY	OEM REF	DESCRIPTION	KEY	OEM REF	DESCRIPTION
4	CAT6N6653	SET, V-Belt (4 Piece)	6	CUM3911567	BELT, Serpentine (1 Piece)
5	MAK88GB445P720	BELT, Double V (1 Piece)	6	MAK88GB458P678	BELT, Serpentine (1 Piece)
5	MAK88GB445P730	BELT, Double V (1 Piece)	6	MAK88GB458P687	BELT, Serpentine (1 Piece)
6	CUM3037425	BELT, Serpentine (1 Piece)	6	CUM3911582	BELT, Serpentine (1 Piece)
6	CUM206996	BELT, Serpentine (1 Piece)	6	CUM3911583	BELT, Serpentine (1 Piece)
6	CUM3095880	BELT, Serpentine (1 Piece)	6	NAV1841559C1	BELT, Serpentine (1 Piece)
6	CUM3076492	BELT, Serpentine (1 Piece)	6	MAK88GB447P728	BELT, Serpentine (1 Piece)
6	CUM3063817	BELT, Serpentine (1 Piece)	6	NAV1819391C1	BELT, Serpentine (1 Piece)
6	CUM217638	BELT, Serpentine (1 Piece)	6	MAK88GB447P732	BELT, Serpentine (1 Piece)
6	CUM3034348	BELT, Serpentine (1 Piece)	6	CUM3002203	BELT, Serpentine (1 Piece)
6	FTL01-24894-004	BELT, Serpentine	6	MAK88GB459P735	BELT, Serpentine (1 Piece)
6	CUM3911587	BELT, Serpentine (1 Piece)	6	MAK88GB459P738	BELT, Serpentine (1 Piece)
6	MAK88GB458P555	BELT, Serpentine (1 Piece)	6	MAK88GB459P746	BELT, Serpentine (1 Piece)
6	CUM3911560	BELT, Serpentine (1 Piece)	6	CUM3289659	BELT, Serpentine (1 Piece)
6	MAK88GB458P565	BELT, Serpentine (1 Piece)	6	MAK88GB472P787	BELT, Serpentine (1 Piece)
6	CUM3911557	BELT, Serpentine (1 Piece)	6	MAK88GB459P795	BELT, Serpentine (1 Piece)
6	CUM3911568	BELT, Serpentine (1 Piece)	6	FTL01-29866-094	BELT, Serpentine (1 Pc)
6	MAK88GB458P579	BELT, Serpentine (1 Piece)	6	MAK88GB459P831	BELT, Serpentine (1 Piece)
6	MAK88GB459P585	BELT, Serpentine (1 Piece)	6	MAK88GB459P847	BELT, Serpentine (1 Piece)
6	MAK21556636	BELT, SERPENTINE	6	FTL01-23415-053	BELT, (8RIB)
6	CUM3911558	BELT, Serpentine (1 Piece)	6	MAK20582557	BELT, SERPENTINE (1 Piece)
6	MAK88GB449P605	BELT, Serpentine (1 Piece)			
6	CUM3911563	BELT, Serpentine (1 Piece)			
6	CUM3911573	BELT, Serpentine (1 Piece)			
6	MAK88GB447P615	BELT, Serpentine (1 Piece)			
6	CUM3911572	BELT, Serpentine (1 Piece)			
6	MAK88GB457P630	BELT, Serpentine (1 Piece)			
6	CUM3034946	BELT, Serpentine (1 Piece)			
6	MAK21556637	BELT, Serpentine (1 Pc)			
6	CUM3911566	BELT, Serpentine (1 Piece)			
6	MAK20582557	BELT, SERPENTINE			
6	MAK88GB449P655	BELT, Serpentine (1 Piece)			
6	MAK88GB447P666	BELT, Serpentine (1 Piece)			
6	MAK88GB459P670	BELT, Serpentine (1 Piece)			