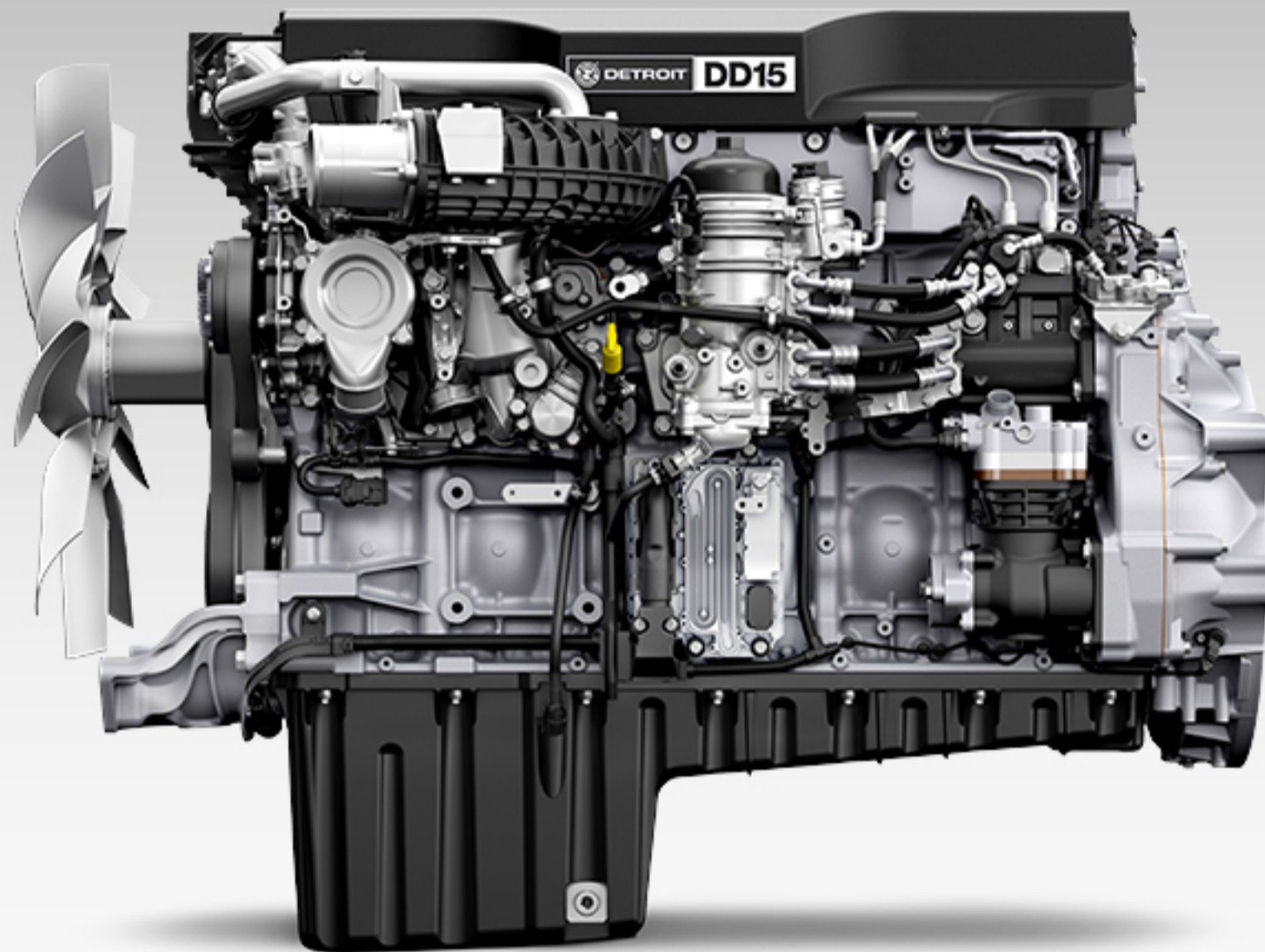




EARTHQUIP

AFFORDABLE HEAVY EQUIPMENT SOLUTIONS

DETROIT ENGINE PARTS 2017



NEW REPLACEMENT PARTS FOR HEAVY EQUIPMENT

Series 50 Section

- Cylinder Block Components **1**
- Crankshaft **1**
- Pistons, Rod Bearings and Ring Sets
 - Crosshead Design **2**
 - Closed End Rod **3**
- Cylinder Kits
 - Crosshead Design **3**
 - Closed End Rod **4**
- Camshaft and Cylinder Head Components **4**
- Valve Operating Mechanism **5**
- Rocker Cover **5**
- Water Pump and Thermostat **6**
- Oil Cooler **7**
- Flywheel Assembly **7**
- Fuel Injector Unit **8**
- Overhaul Gasket Sets **8**

Series 53 Section

- Cylinder Block
 - 3 & 4 Cylinder **9**
 - 6 Cylinder **9**
- Pistons, Rod Bearings and Ring Sets **10**
- Crankshaft **11**
- Rocker Cover **12**
- Overhaul Gasket Sets **12**
- Miscellaneous Components **12**

Series 60 Section

- Cylinder Block Components / Oil Pan **13**
- Crankshaft **14**
- Pistons, Rod Bearings & Ring Sets
 - Closed End Rod - Monotherm Piston (12.7L&14L) **16**
 - Closed End Rod **17**
- Cylinder Kits
 - Closed End Rod **18**
- Pistons, Rod Bearings and Ring Sets
 - Crosshead Design **19**
- Cylinder Kits
 - Crosshead Design **19**
- Camshaft **20**
- Exhaust Manifold & EGR Cooler **21**
- Cylinder Head and Valve Mechanism **22**
- Rocker Cover **23**
- Fuel Pump **24**
- Accessory Drive – Accessory Assembly **24**
- Water Pump and Thermostat **25**
- Water Pump Components (Not Illustrated) **26**
- Oil Pump Components **26**
- Oil Pump Assembly **27**
- Oil Cooler **27**
- Flywheel Assembly **28**
- Turbocharger **28**
- Intake Manifold **29**
- Fuel Injection **29**
- Miscellaneous Components **30**
- Gasket Sets **30**
- Miscellaneous Kits
 - Basic Overhaul Kits **31**

Series 71 Section

- Crankshaft **31**
- Pistons, Rod Bearings & Rings Sets
 - Closed End Rod/Trunk Type **32**
 - Crosshead Rod **32**
- Cylinder Head **33**
- Gaskets **34**
- Miscellaneous Components **34**

Series 92 Section

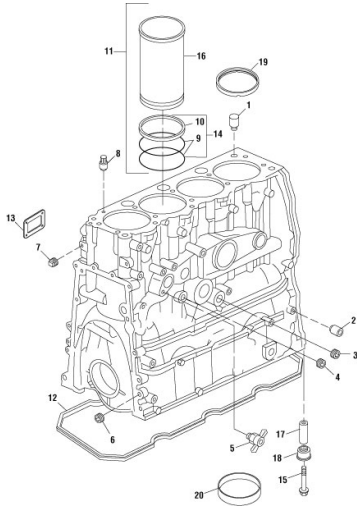
- Crankshaft Components **35**
- Pistons, Rod Bearings and Ring Sets **35**
- Miscellaneous Components – 8V92 **36**

DD15 Section

- Cylinder Block Components **36**
- Crankshaft **37**
- Piston and Rod Assembly **37**
- Camshaft **38**
- Cylinder Head **38**
- Water Pump **39**
- Oil Pump **39**
- Oil Pan **40**
- EGR Cooler **40**
- Gasket Set **41**
- Oil Cooler Housing **41**

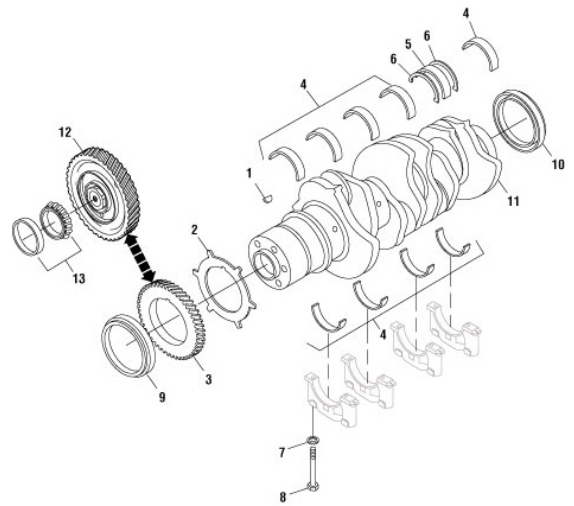
Miscellaneous Components Section

- Cooling System Components
 - Fan Clutch **42**
 - Fan Blades **42**
 - Fan/Clutch Assembly **43**
 - Fan Hub Assembly **43**
 - Fan Clutch Components **44**
 - Fan Clutch Repair Kits **45**
- Filters
 - Fuel Filters **45**
 - Oil Filters **46**
 - Oil Filter Element **46**
 - Air Filters **47**
 - Water Filters and Bracket **47**
- Belt Tensioners **48**
- Belt Tensioner Kits **49**
- Idler Pulley **49**
- Belts **50**
- Sensors
 - Sensor Connectors **52**
 - Temperature Sensors **52**
 - Speed Sensors **54**
 - Pressure Sensors **54**
 - MAP Sensors **55**
 - Level Sensors **55**
 - EGR Sensors **56**
 - Position Sensors **56**
 - Ambient Temperature/Humidity Sensors **56**



SERIES 50 SECTION – CYLINDER BLOCK COMPONENTS

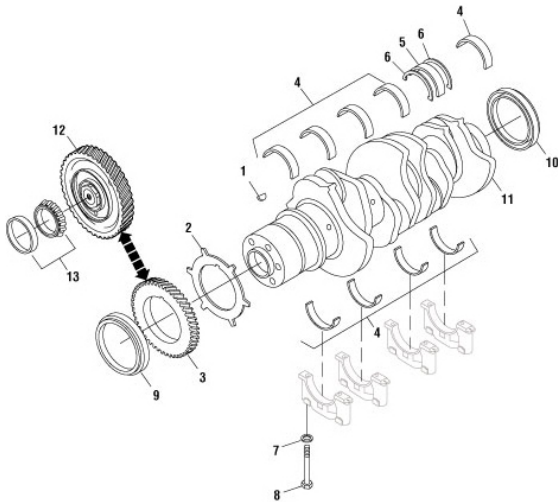
KEY	OEM REF	DESCRIPTION
1	DDC8929152	PIN, Dowel (20mm Dia.)
2	DDC23509239	STUD (M12 x 1.75 x 34)
3	DDC 8922327	PLUG (1/4in P.T.)
4	DDC8929432	PLUG, Weep Hole
5	DDC8924140	VALVE, Draincock
6	DDC8929015	PIN, Dowel (16mm Dia.)
7	DDC8929022	PIN, Dowel (16mm Diamond)
8	DDC8929153	PIN, Dowel (20mm Diamond)
9	DDC8929176	D-RING, Seal
10	DDC8929013	SEAL, Crevice
11	DDC23531249	KIT, Liner Includes Liner (1)661609 Seal Kit (1)621243
11	DDC23531249	KIT, Liner (HP) Includes Liner (1)661609HP Seal Kit (1)621243HP
12	DDC23511580	GASKET, Oil Pan
13	DDC8929302	GASKET, Oil Fill Lube to Block
14	N/A	KIT, Liner Seal Includes Seals (1)621220 (2)621221
15	DDC11504571	SCREW (M10 x 1.5 x 65mm)
16	DDC23531502	LINER
16	DDC23531502	LINER (HP)
17	DDC23517243	SPACER, Oil Pan Bolt
18	DDC23517242	ISOLATOR, Pan
19	DDC23525500	RING, Repair
19	N/A	RING, Counterbore Repair
19	N/A	RING, Counterbore Repair
19	N/A	RING, Counterbore Repair
20	N/A	RING, Lower Repair



SERIES 50 SECTION – CRANKSHAFT

KEY	OEM REF	DESCRIPTION
1	DDC8929808	KEY
2	DDC23513537	RING, Exciter (36 Teeth)
2	DDC23513537	WHEEL, Timing Ring
3	DDC8929497	GEAR, Timing
3	DDC8929497	GEAR (8.5L & 12.7L)
4	DDC8929670	BEARING, Main (STD)
4	DDC8929671	BEARING, Main (.010in/.254mm)
4	DDC8929671	BRG, MAIN (.010)
4	DDC8929672	BEARING, Main (.020in/.508mm)
4	DDC8929672	BEARING, Main (.020in/.508mm)
4	DDC8929673	BEARING, Main (.030in/.762mm)
4	DDC8929673	BEARING, Main (.030in/.762mm)
5	DDC8929680	BEARING, Main Thrust (STD)
5	DDC8929681	BEARING, Main Thrust (.010in/.254mm)
5	DDC8929681	BEARING, Main Thrust (.010in/.254mm)
5	DDC8929682	BEARING, Main Thrust (.020in/.508mm)
5	DDC8929682	BEARING, Main Thrust (.020in/.508mm)
5	DDC8929683	BEARING, Main Thrust (.030in/.762mm)
5	DDC8929683	BEARING, Main Thrust (.030in/.762mm)
6	DDC8929085	BEARING, Thrust Washer (STD)
6	DDC8929697	BEARING, Thrust Washer (.005in/.127mm)
6	DDC8929698	BEARING, Thrust Washer (.010in/.254mm)
7	DDC8929125	WASHER
8	DDC8929214	BOLT (M20 x 178.0)
9	DDC23518355	SEAL, Front
10	DDC23516969	KIT, Rear Seal (Double Lip Neoprene)
10	DDC23519651	KIT, Rear Seal (Teflon) Includes sleeves
10	DDC23519651	SEAL, Rear

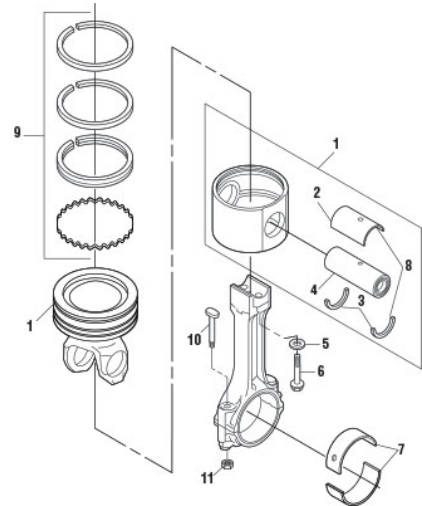
Continued



SERIES 50 SECTION – CRANKSHAFT

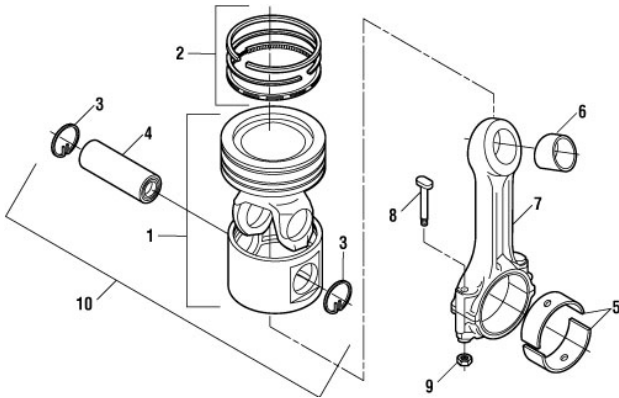
Continued

11	DDC23515595	CRANKSHAFT (8.5L) (Wide Bearing)
12	DDCR23513559	GEAR, Timing Bull (8.5L & Late 12.7L)
12	DDCR23513559	GEAR, Timing Bull (8.5 L & Late 12.7L) (Reman)
12	DDCR8929168	GEAR, Timing Bull (8.5L & 11.1L) (Reman)
13	DDC8929430	KIT, Gear Bearing Includes Bearings (2)GBG-8968 (2)GCU-8969 (2)EM89680 Cups (2)EM89690



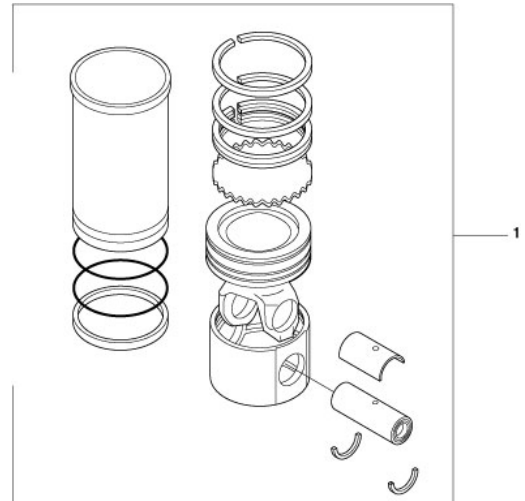
SERIES 50 SECTION – PISTONS, ROD BEARINGS AND RING SETS – CROSSHEAD DESIGN

KEY	OEM REF	DESCRIPTION
1	DDC23524601	KIT, Piston (16.5 CR) Includes Crown, Skirt, Bushing & Pin
1	DDC23519624	KIT, Piston (15.0 CR) Includes Crown, Skirt, Bushing & Pin
2	DDC23504942	BUSHING, Top (1 per Piston)
3	DDC23519558	BUSHING, Ear (2 per Piston)
4	DDC8929087	PIN, Piston
5	DDC8929504	SPACER (2 per Piston)
6	DDC8929337	BOT (2 per Piston)
7	DDC8929710	BEARING, Rod (Early-43mm) (STD)
7	DDC8929711	BEARING, Rod (Early-43mm) (.010in/.254mm)
7	DDC8929712	BEARING, Rod (Early-43mm) (.020in/.508mm)
7	DDC8929713	BEARING, Rod (Early-43mm) (.030in/.762mm)
7	DDC23515581	BEARING, Rod (Late-47mm) (STD)
7	DDC23515582	BEARING, Rod (Late-47mm) (.010in/.254mm)
7	DDC23515583	BEARING, Rod (Late-47mm) (.020in/.508mm)
7	DDC23515584	BEARING, Rod (Late-47mm) (.030in/.762mm)
8	DDC23519723	KIT, Pin Bushing Includes Bushings (1)651511 (2)651512
9	DDC23505729	SET, Piston Ring (3.5mm)
9	DDC23503747	SET, Piston Rings (2.5mm Double Keystone)
10	DDC8929355	BOLT, Connecting Rod (M14 x 1.5 x 108mm) (11.1L & 12.7L)
11	DDC8929019	NUT, Connecting Rod (M14 x 1.5)



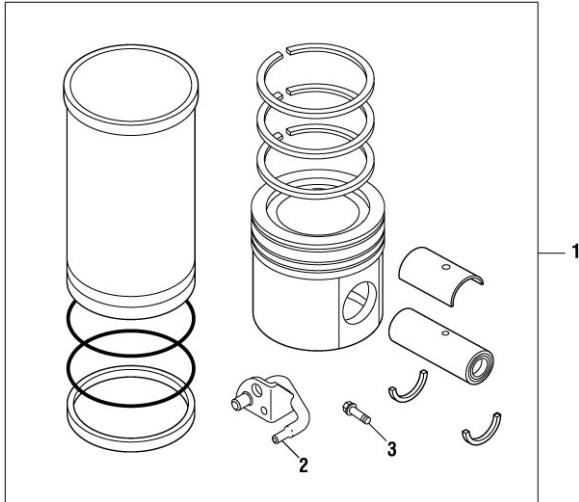
SERIES 50 SECTION – PISTONS, ROD BEARINGS AND RING SETS – CLOSED END ROD

KEY	OEM REF	DESCRIPTION
1	DDC23530602	KIT, Piston (16.5 CR) Includes Crown & Skirt
2	DDC23505729	SET, Piston Ring (3.5mm)
2	DDC23503747	SET, Piston Rings (2.5mm Double Keystone)
3	DDC23521781	RETAINER
4	DDC23525168	PIN, Piston, Heavy (22mm I.D.)
5	DDC23526142	BEARING Pair, Rod (8.5L & 12.7L) (STD)
5	DDC23527065	BEARING Pair, Rod (8.5L & 12.7L) (.010in/.254mm)
5	DDC23527066	BEARING Pair, Rod (8.5L & 12.7L) (.020in/.508mm)
5	DDC23527067	BEARING Pair, Rod (8.5L & 12.7L) (.030in/.762mm)
6	N/A	BUSHING
7	DDC23526078	ROD, Connecting (8.5L & 12.7L)
8	DDC8929355	BOLT, Connecting Rod (M14 x 1.5 x 108mm)
9	DDC8929019	NUT, Connecting Rod (M14 x 1.5)
10	DDC23530668	KIT, Piston (16.5 CR) (Heavy Pin) Includes Piston Kit (1)611029 Pin (1)611003 Retainers (2)611010



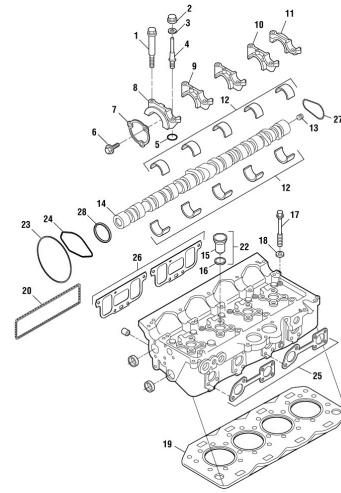
SERIES 50 SECTION – CYLINDER KITS – CROSSHEAD DESIGN

KEY	OEM REF	DESCRIPTION
1	DDC23532555	KIT, Cylinder Includes Liner Kit (1)661610 Piston Kit (1)611022 Ring Set (1)605010 Bolt (2)640010
1	DDC23532558	KIT, Cylinder Includes Liner Kit (1)661610 Piston Kit (1)611019 Ring Set (1)605010 Bolt (2)640010



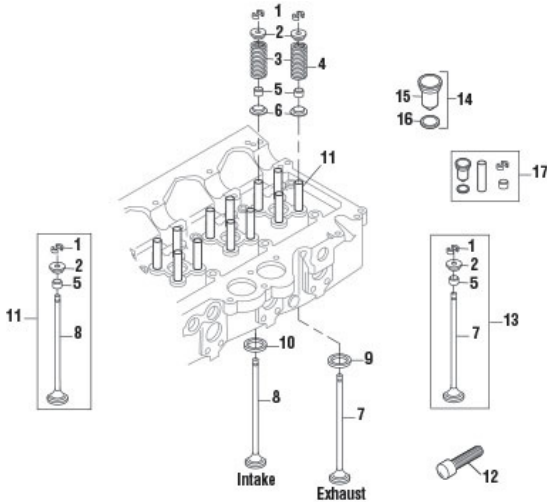
SERIES 50 SECTION – CYLINDER KIT – CLOSED END ROD

KEY	OEM REF	DESCRIPTION
1	DDC23532562	KIT, Cylinder Includes Liner Kit (1)661610 Piston Kit (1)611030 Ring Set (1)605010 Piston Nozzle (1)645030 Screw (1)640001
2	DDC23528493	NOZZLE, Piston
3	DDC23506222	SCREW, Nozzle Mounting



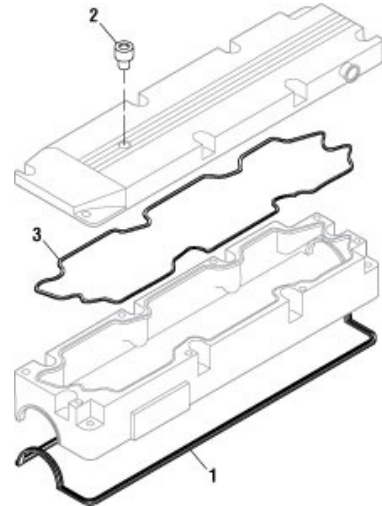
SERIES 50 SECTION – CAMSHAFT AND CYLINDER HEAD COMPONENTS

KEY	OEM REF	DESCRIPTION
1	DDC8929129	BOLT (M12 x 1.75 x 65)
2	DDC23500708	NUT (M12 x 1.75)
3	DDC8929586	SPACER
4	DDC23529351	KIT, Stud and Seal
5	DDC8929740	RING
6	DDC11509511	SCREW, Flanged Hex (M8 x 1.25 x 20)
7	DDC23514716	COVER
8	DDC8929739	CAP, Rear
9	DDC8929871	CAP, Center
10	DDC8929870	CAP, Intermediate (2 req'd)
11	DDC23522649	CAP, Front
12	DDC8929690	BEARING, Cam (STD)
12	DDC8929691	BEARING, Cam (.010)
12	DDC8929692	BEARING, Cam (.020)
12	DDC8929693	BEARING, Cam (.030)
13	DDC8920172	DOWEL
14	DDC23511785	CAMSHAFT
15	N/A	TUBE, Injector Sleeve
16	DDC23515470	O-RING, Injector Sleeve
17	DDC23530768	BOLT (M16 x 2 x 175mm) 26 Required)
18	DDC8929328	WASHER, Head Bolt (16.8 x 25.8)
19	DDC23532297	GASKET, Cylinder Head
20	DDC23527416	GASKET, Housing
21	DDC23532330	KIT, Head Gasket Includes Gaskets (2)631295 (1)131494 (1)EGS-3890-020 (2)631294 (1)631288 (1)631301 (1)631320 (2)631293 (1)631319 (1)631318 Seals (2)EOS-3305 (2)136102 (2)631302 (1)631300 Rings (2)621267
22	DDC23501580	KIT, Injector Tube Sleeve Includes Tube (1)692085 O-Ring (1)621222
23	DDC23528491	SEAL, Behind Cam Gear
24	DDC23521894	GASKET, Cam Plate (3 Bolt)
25	DDC23533983	GASKET, Exhaust Manifold-Two-pc Steel Laminated
26	DDC23517875	GASKET, Intake Manifold
27	DDC23522975	SEAL, Cam Cap
28	DDC23533911	SEAL, Exhaust Manifold (Internal Retaining Ring(Spiral))



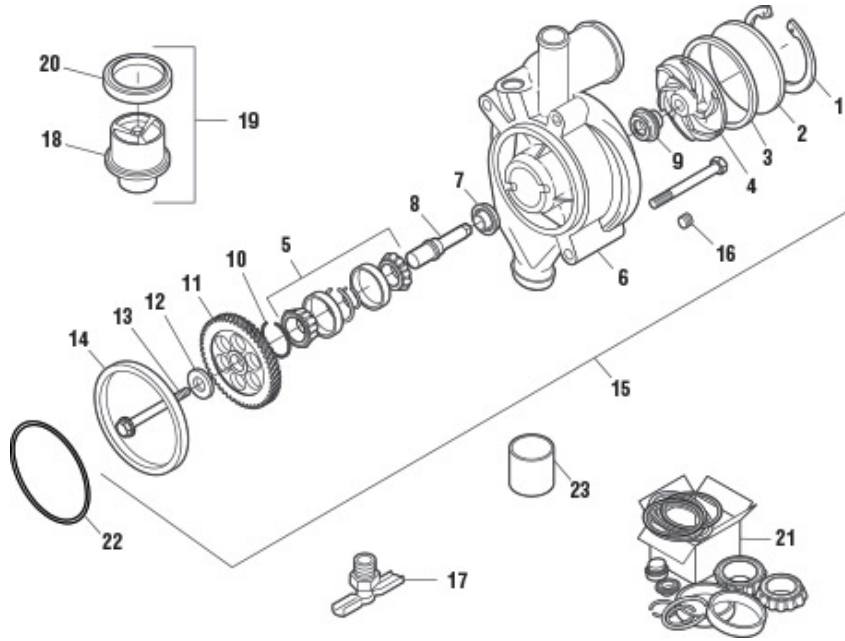
SERIES 50 SECTION – VALVE OPERATING MECHANISM

KEY	OEM REF	DESCRIPTION
1	DDC8929573	LOCK, Valve (32 req'd per engine)
2	DDC8929105	ROTATOR
3	DDC8929415	SPRING, Intake and Exhaust Valve (2-78in long)
4	DDC23518572	GUIDE, Valve (O/S +.005in (.13mm))
4	DDC23533552	GUIDE, VALVE
5	DDC23523930	SEAL, Intake/Exhaust Valve
6	DDC8929076	SEAT, Intake/Exhaust Valve
7	DDC23529596	VALVE, Exhaust (Nickel-based) (4V)
7	DDC23524521	VALVE, Exhaust (After 1991)
8	DDC23529629	VALVE, Intake
9	DDC8929126	SEAT, Exhaust
9	DDC8929628	SEAT, Exhaust
9	DDC8929629	SEAT, Exhaust
9	DDC8929630	SEAT, Exhaust
10	DDC8929127	SEAT, Intake
10	DDC8929625	SEAT, Intake
10	DDC8929626	SEAT, Intake
10	DDC8929627	SEAT, Intake
11	DDC23501576	KIT, Intake Valve Includes Valve (1)691908 Rotator (1)691960 Locks (2)691950 Seal (1)692000
12	DDC23520818	SCREW, Adjusting Intake
12	DDC23537089	SCREW, Adjusting Exhaust
12	DDC23520819	SCREW, Adjusting Exhaust
12	DDC23520820	SCREW, Adjusting Injector
13	DDC23507504	KIT, Exhaust Valve (After 1991) Includes Valve (1)691912 Rotator (1)691960 Locks (2)691950 Seal (1)692000
14	DDC23501580	KIT, Injector Tube Kits Includes Injector Sleeve Tube (1)692085 Injector O-Ring (1)621222
15	N/A	TUBE, Injector Sleeve
16	DDC23515470	O-RING, Injector
17	N/A	KIT, Head Rebuild Includes Injector Tube(6)692084 Valve Locks (48)691950 Valve Guides (24)692020 Valve Seals (24)692000



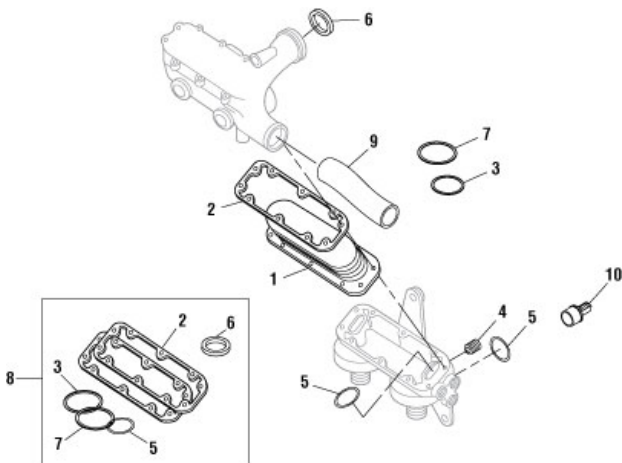
SERIES 50 SECTION – ROCKER COVER

KEY	OEM REF	DESCRIPTION
1	DDC23516531	GASKET, Rocker
2	DDC23517911	ISOLATOR, Cover
3	DDC23511772	GASKET, Valve Cover



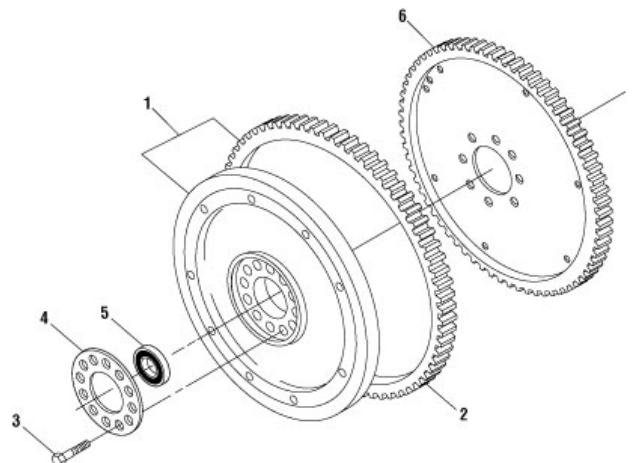
SERIES 50 SECTION – WATER PUMP AND THERMOSTAT

KEY	OEM REF	DESCRIPTION	KEY	OEM REF	DESCRIPTION
1	MAK97AX262	RING, Retaining	19	N/A	KIT, Thermostat (180°) Includes Thermostat (1)681830 Seal (1)EOS-3305
2	N/A	COVER, Water Pump (Metal)	19	DDC23532436	KIT, Thermostat (190°) Includes Thermostat (1)681831 Seal (1)EOS-3305
2	DDC8922383	COVER, Water Pump (Plastic, NLA use 681869)	20	MAK447GC216A	SEAL, Thermostat
3	DDC23512048	RING, Seal (Square Section) (.138in x .115in x 4.75in I.D.)	21	DDC23529962	KIT, Water Pump Reconditioning Includes Seals 91)621232 (1)621233 Rings (1)642010 (1)621213 (1)621263 (1)621264 (1)621262 (1)EGA-2854
4	DDC23517973	IMPELLER (6 Vane-Hi Flow)	22	N/A	O-RING
4	DDC23507913	IMPELLER (Standard Flow)	23	DDC05107607	HOSE, Coolant (2.75in ID x 2.65in Long)
5	DDC8929422	KIT, Bearing Includes Spacers (1)681821 (1)681822 KIT,Bearing Bearings (2)ABG-9123 (2)ACU-9124			
6	DDC23517028	HOUSING, Water Pump			
7	DDC23528190	SEAL, Oil (Teflon lip)			
8	DDC23505896	SHAFT			
9	DDC23522433	SEAL, Water Pump Heat Sink			
10	DDC8929427	RING, Retaining			
11	DDC23505910	GEAR (Right hand-61 teeth)			
12	DDC23505897	WASHER			
13	DDC23508863	SCREW (M12 x 1.75 x 50)			
14	DDC23520377	RING, Seal (Square Section) (.093in x .165in x 5.225in ID)			
15	DDC23522707	ASSEMBLY, Water Pump			
16	NAV444618	PLUG (1/4in)			
16	NAV444625	PLUG (3/8in)			
16	MAK49AX226	PLUG (1in)			
16	MAK49AX235	PLUG (3/4in)			
17	MAK61AX114	VALVE, Draincock (1/4in)			
18	DDC23503827	THERMOSTAT (160° Non-Vented)			
18	DDC23503825	THERMOSTAT (180° Non-Vented)			
18	DDC8929878	THERMOSTAT (190° Non-Vented) (Sold in 681850 kit only)			
19	N/A	KIT, Thermostat (160°) Includes Thermostat (1)681829 Seal (1)EOS-3305			



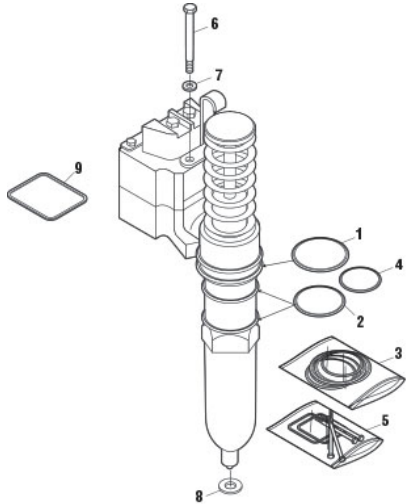
SERIES 50 SECTION – OIL COOLER

KEY	OEM REF	DESCRIPTION
1	DDC23522416	COOLER, Oil (10 Plates)
1	DDC23522415	COOLER, Oil (11 Plates)
2	DDC23506247	GASKET, Oil Cooler Housing
2	DDC8929348	GASKET, Oil Cooler Housing
3	DDC8929280	RING, Seal
4	NAV444618	PLUG, 1/4in
4	MAK49AX226	PLUG, 1in
4	MAK49AX235	PLUG, 3/4in
5	DDC23508392	RING, Seal
6	DDC8929289	O-RING
7	DDC23532850	RING, Seal
8	DDC23537789	KIT, Gasket Includes Gaskets (1)631286 (1)631296 Rings (1)621265 (1)621261 (3)621260 O-Ring (1)621218
9	DDC23506325	HOSE, Coolant (2.75in ID x 3in)
9	DDC05107607	HOSE, Coolant
9	DDC23505899	TUBE, Coolant
10	DDC23524520	THERMOSTAT, Oil



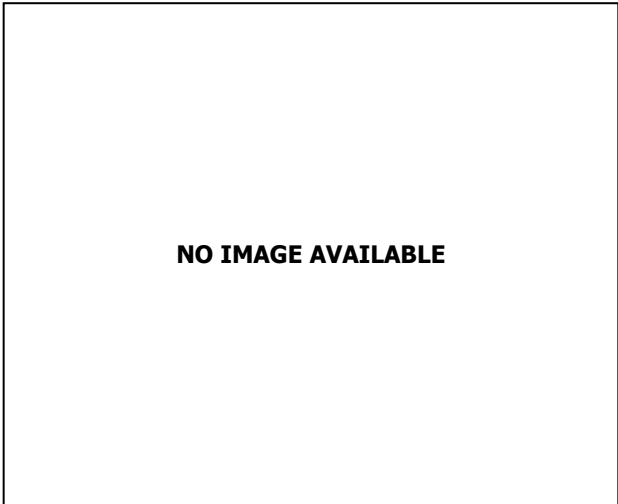
SERIES 50 SECTION – FLYWHEEL ASSEMBLY

KEY	OEM REF	DESCRIPTION
1	DDC23509709	FLYWHEEL Assembly (SAE #1) Flat Type w/ 12 Hole Mounting
2	DDC5166664	GEAR (118 teeth)
3	DDC8929795	BOLT (9/16in-18 x 1-3/4in)
4	DDC5100532	PLATE
5	MAK9383-6305LL	BEARING
6	DDC29546307	FLYWHEEL, Flex (1000/2000 Series)



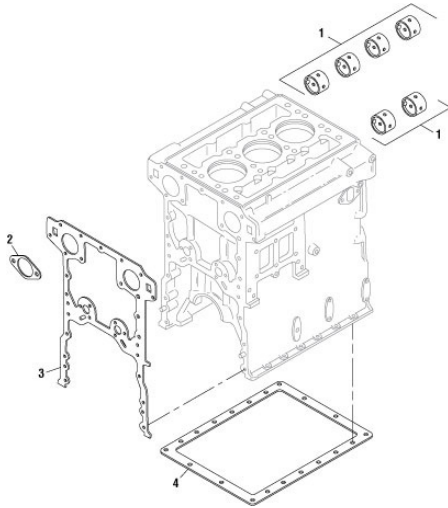
SERIES 50 SECTION – FUEL INJECTOR UNIT

KEY	OEM REF	DESCRIPTION
1	DDC5234702	O-RING, Upper Injector
2	DDC5234699	O-RING, Lower Injector
3	N/A	KIT, Injector O-Ring Includes O-Rings (6)621216 (12)621217 Seals (6)631337
4	DDC5104701	O-RING, Injector Tube
5	DDC5236116	KIT, Solenoid
6	DDC8929393	SCREW, Hold-down
7	DDC23535699	WASHER, Clamp
8	DDC23511870	SEAL, Injector (Graphite, Early Eng)
9	DDC5234224	GASKET, Solenoid



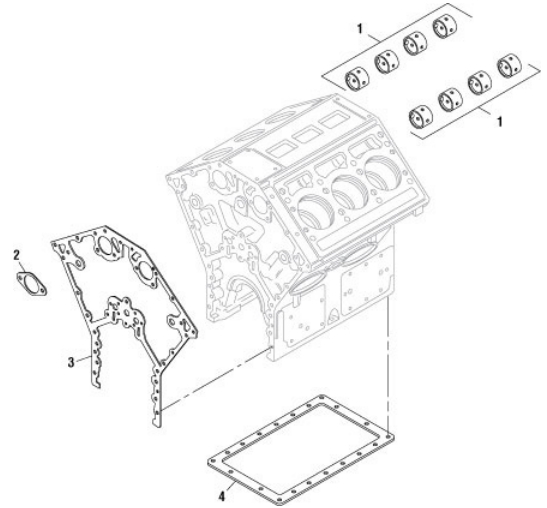
SERIES 50 SECTION – OVERHAUL GASKET SETS

KEY	OEM REF	DESCRIPTION
1	DDC23532329	KIT, Overhaul Gasket



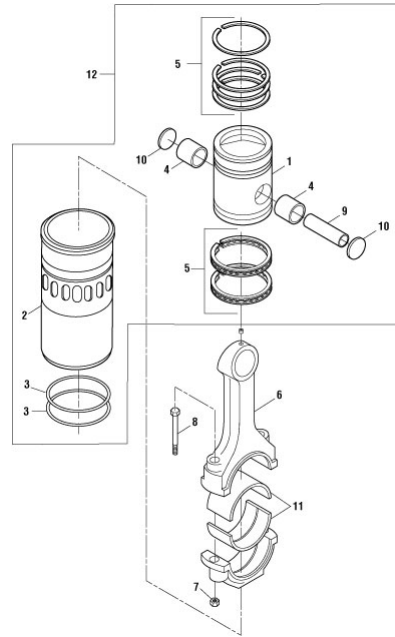
**SERIES 53 SECTION – CYLINDER BLOCK –
3 & 4 CYLINDER**

KEY	OEM REF	DESCRIPTION
1	DDC5198209	SET, Cam Bearing (3 Cylinder)
1	DDC5198984	SET, Cam Bearing (4 Cylinder)
2	DDC5116198	WASHER, Thrust
3	DDC5116354	GASKET, Front Plate
4	DDC5116256	GASKET, Oil Pan (3 Cylinder-Stamped Pan)
4	DDC5116257	GASKET, Oil Pan (4 Cylinder-Stamped Pan)
4	DDC5196059	GASKET, Oil Pan (3 Cylinder-Segmented for Cast Iron)
4	DDC5196060	GASKET, Oil Pan (4 Cylinder-Segmented for Cast Iron)



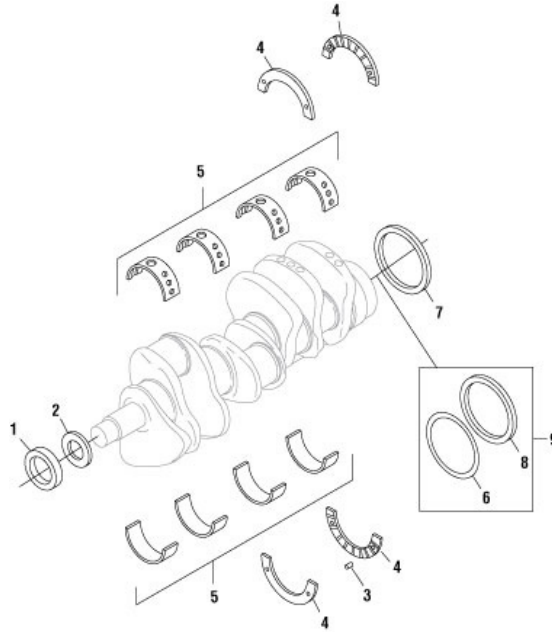
SERIES 53 SECTION – CYLINDER BLOCK – 6 CYLINDER

KEY	OEM REF	DESCRIPTION
1	DDC5197944	SET, Cam Bearing
2	DDC5116198	WASHER, Thrust
3	DDC5133397	GASKET, Front Plate
4	DDC5119266	GASKET, Oil Pan (Stamped Pan)
4	DDC5196061	GASKET, Oil Pan (Segmented-Cast Iron)



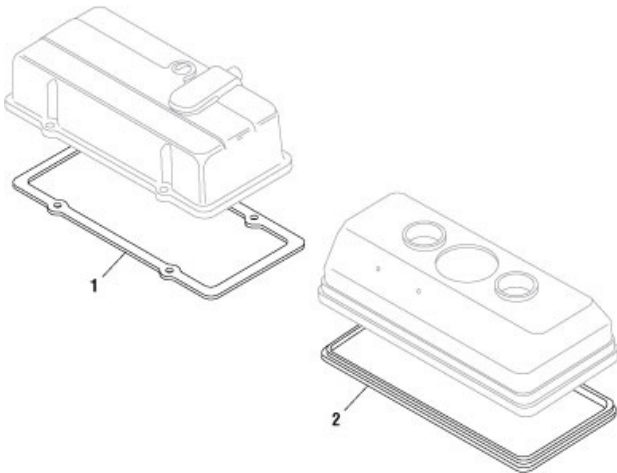
SERIES 53 SECTION – PISTONS, ROD BEARINGS AND RING SETS

KEY	OEM REF	DESCRIPTION	KEY	OEM REF	DESCRIPTION
1	DDC5198877	ASSEMBLY,Piston (4VH Non-Turbo Engine)	11	DDC5149455	BEARING, Shell (.020in) (3,4-53 Inline)
1	DDC8920717	ASSEMBLY, Piston (Turbo Trunk)	11	DDC5149456	BEARING, Shell (.030in) (3,4-53 Inline)
2	DDC5132803	LINER (STD) (.84in Port) (Vee)	11	DDC5197975	BEARING, Shell (STD) (6 Vee)
2	DDC5101016	LINER (.010) (.84in Port) (Vee)	11	DDC5197976	BEARING, Shell (.002) (6 Vee)
2	DDC8926088	LINER (STD) (.74in Port) (Inline & Vee)	11	DDC5197977	BEARING, Shell (.010) (6 Vee)
2	DDC8926089	LINER (.010in) (.74in Port) (Inline & Vee)	11	DDC5197978	BEARING, Shell (.020) (6 Vee)
3	DDC5121256	SEAL, Liner (Inline & Vee)	11	DDC5197979	BEARING, Shell (.030) (6 Vee)
4	DDC5116181	BUSHING, Piston Pin (Trunk Type)	12	DDC5198899	KIT, CYLINDER Includes Liner (1)661650 Seals (2)621237 Piston (1)611090 Ring Set (1)605067 Pin (1)611081 Retainers (2)611082
5	DDC5198902	SET,Piston Ring (Non-Turbo Engine) Includes Rings (1)605051 (3)605052 (2)605053			
5	DDC5149359	SET, Piston Ring (Vee) (Turbo Truck Engine) Includes Rings (1)605051 (3)605052 (1)605060			
5	DDC5149314	SET, Piston Ring (Inline & Vee) (Turbo Engine) Includes Rings (1)605051 (3)605052 (1)605062			
5	DDC5149942	SET, Piston Ring (Turbo Trunk Type)			
5	DDC5198822	SET, Piston Ring (Naturally Aspirated) Includes Rings(1)605051 (1)605052 (2)605069 (2)605053			
6	DDC5121262	ROD, Assembly (3,4-53 Inline)			
7	DDC839103	NUT (3/8in-24)			
8	DDC5197852	BOLT (3/8in-24 x 2.76in)			
9	DDC5116189	PIN, Piston Truck Type			
10	DDC5108131	RETAINER, Pin (1.38in dia)			
11	DDC5149452	BEARING, Shell (STD) (3,4-53 Inline)			
11	DDC5149453	BEARING, Shell (.002in) (3,4-53 Inline)			
11	DDC5149454	BEARING, Shell (.010in) (3,4-53 Inline)			



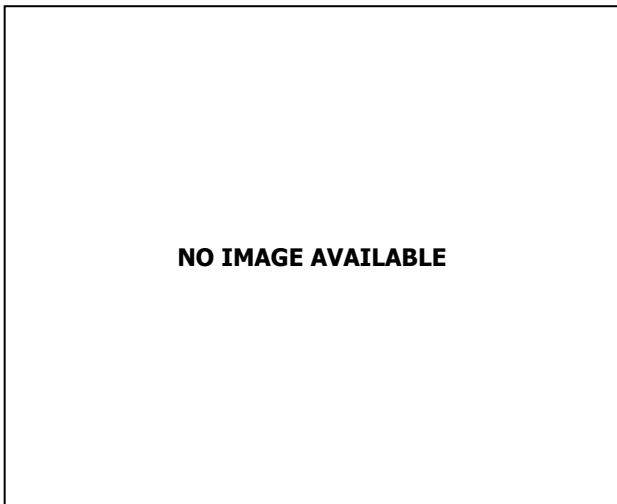
SERIES 53 SECTION – CRANKSHAFT

KEY	OEM REF	DESCRIPTION	KEY	OEM REF	DESCRIPTION
1	DDC5116224	SEAL, Front Crankshaft (Lip type)	5	DDC5198410	BEARING, Main (STD) (Vee) (7 Hole Upper)
1	DDC5198503	SEAL, Front Crankshaft (O/S) (Lip type)	5	DDC5198412	BEARING, Main (.010in) (Vee) (7 Hole Upper)
2	DDC5198502	RING, Wear (Front Crank Seal)	5	DDC5198413	BEARING, Main (.020in) (Vee) (7 Hole Upper)
3	DDC141346	PIN, Thrust Washer	5	DDC5198414	BEARING, Main (.030in) (Vee) (7 Hole Upper)
4	DDC5116197	BEARING, Thrust (STD) (3 & 4 Cylinder)	6	DDC23516636	RING, Wear (Rear Seal)
4	DDC5196756	BEARING, Thrust (.010) (3 & 4 Cylinder)	7	DDC5116229	SEAL, Rear Crankshaft (Lip type)
4	DDC5159353	BEARING, Thrust (STD) (Vee)	8	DDC5196852	SEAL, Rear Crankshaft (O/S)
4	DDC5160542	BEARING, Thrust (.005) (Vee)	9	N/A	KIT, Crankshaft Seal Includes Seal (1)636009 Wear Ring (1)636071
4	DDC5192111	BEARING, Thrust (.010) (Vee)			
5	DDC8924357	BEARING, Main (STD) (Inline-Non-Turbo Engine)			
5	DDC8924359	BEARING, Main (.010in) (Inline-Non-Turbo Engine)			
5	DDC8924360	BEARING, Main (.020in) (Inline-Non-Turbo Engine)			
5	DDC8924361	BEARING, Main (.030in) (Inline-Non-Turbo Engine)			
5	DDC5149447	BEARING, Main (STD) (Inline-Turbo Engine)			
5	DDC5149449	BEARING, Main (.010in) (Inline-Turbo Engine)			
5	DDC5149450	BEARING, Main (.020in) (Inline-Turbo Engine)			
5	DDC5149451	BEARING, Main (.030in) (Inline-Turbo Engine)			
5	DDC5195927	BEARING, Main (STD) (Vee) (1 Hole Upper)			
5	DDC5196685	BEARING, Main (.010in) (Vee) (1 Hole Upper)			
5	DDC5196686	BEARING, Main (.020in) (Vee) (1 Hole Upper)			
5	DDC5196687	BEARING, Main (.030in) (Vee) (1 Hole Upper)			



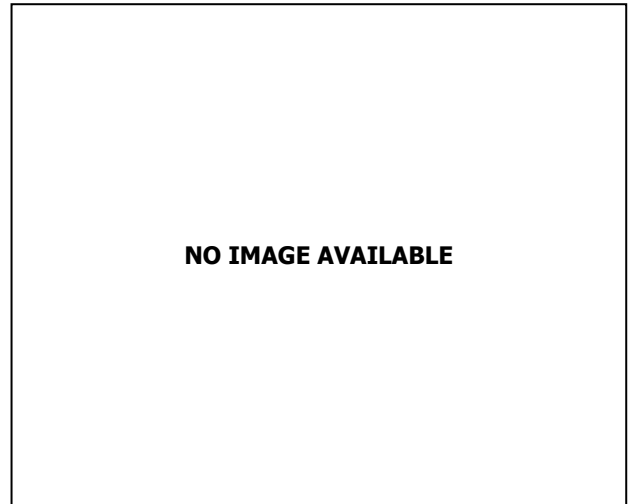
SERIES 53 SECTION – ROCKER COVER

KEY	OEM REF	DESCRIPTION
1	DDC5147994	GASKET, Rocker Cover (Stamped) (3 & 6 Cylinder)
1	DDC5147506	GASKET, Rocker Cover (Stamped) (4 Cylinder)
2	DDC8925273	GASKET, Rocker Cover (Cast) (3 & 6 Cylinder)
2	DDC8925274	GASKET, Rocker Cover (Cast) (4 Cylinder)



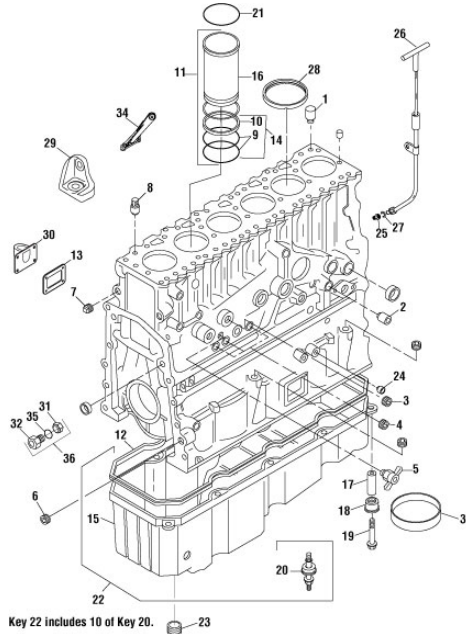
SERIES 53 SECTION – OVERHAUL GASKET SETS

KEY	OEM REF	DESCRIPTION
1	DDC23517624	SET, Overhaul Gasket (4 Cylinder)
1	DDC23512690	SET, Overhaul Gasket (6 Cylinder)
1	DDC23517623	SET, Overhaul Gasket (3 Cylinder)



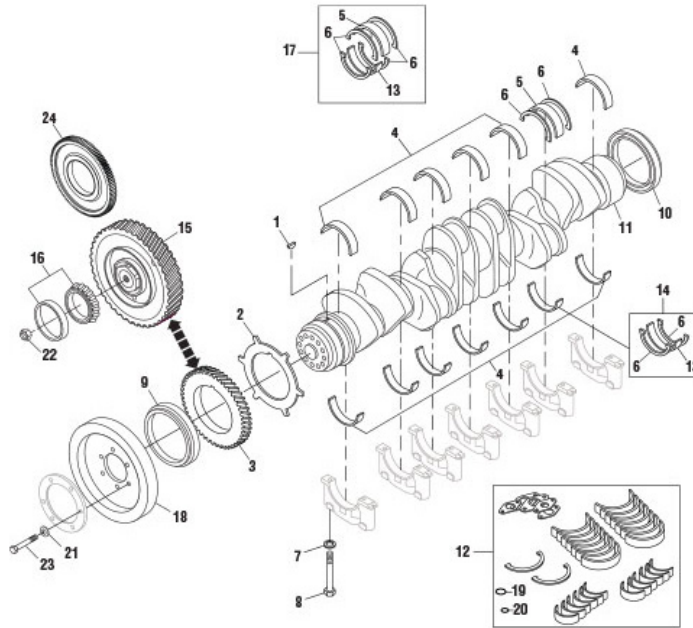
SERIES 53 SECTION – MISCELLANEOUS COMPONENTS

KEY	OEM REF	DESCRIPTION
1	DDC5150041	TUBE, Injector Sleeve
2	DDC5104701	O-RING, Injector Sleeve
3	DDC8925981	KIT, Tube Injector Sleeve Includes Tube (1)692087 O-Ring (1) 621223
4	DDC5198683	KIT, Blower Repair
5	DDC5198041	KIT, Blower Installation (3 Cylinder)
5	DDC5198042	KIT, Blower Installation (4 Cylinder)
5	DDC5198043	KIT, Blower Installation (6 Cylinder)
6	DDC5199811	SET, Head Gasket (w/ Cork Rocker Gasket) (3 & 6 Cylinder)
6	DDC5199812	SET, Head Gasket (w/ Cork Rocker Gasket) (4 Cylinder)
7	DDC5184301	RING, Rectangular
7	DDC5116122	RING, Rectangular
7	DDC5116290	RING (Used in kit 631243)
7	DDC5121207	RING (Used in kit 631243)
7	DDC5125150	RING
7	DDC5116292	RING, Rectangular
7	DDC5121254	RING, Compression
8	DDC5119006	GASKET, Exhaust
8	DDC23524218	GASKET, Exhaust
8	DDC5116092	GASKET, Water
8	DDC5126473	GASKET, Pump Pick-up
8	DDC5116242	GASKET, Cylinder Head Water Cover
8	DDC5121342	GASKET, Cover (Governor)
8	DDC5116336	GASKET, Cover (Governor to Engine)
8	DDC5122742	GASKET, Cover (Governor)
9	DDC5116293	GASKET, Cover (Governor) SEAL, Cylinder Head
10	DDC5199560	PUMP, Fuel Transfer (LH Rotation) (STD Capacity Pump)
10	DDC5199561	PUMP, Fuel Transfer (RH Rotation) (STD Capacity Pump)



SERIES 60 SECTION – CYLINDER BLOCK COMPONENTS / OIL PAN

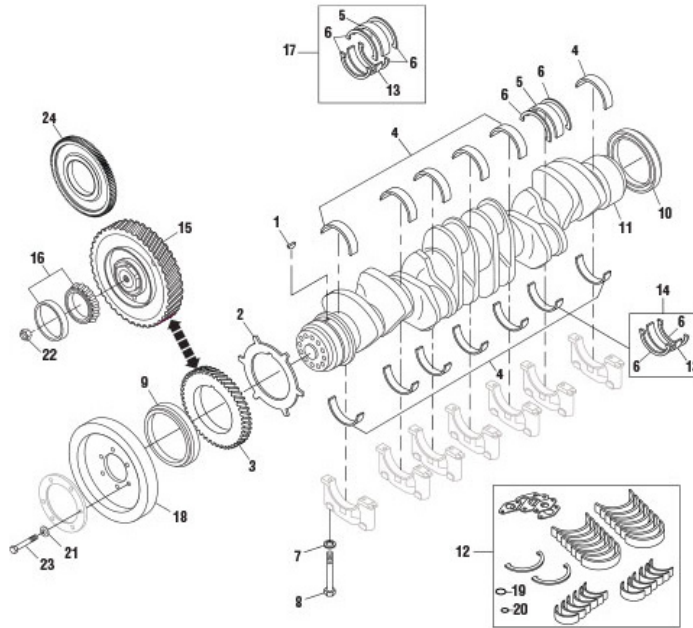
KEY	OEM REF	DESCRIPTION	KEY	OEM REF	DESCRIPTION
1	DDC8929152	PIN, Dowell (20mm Dia.)	22	N/A	KIT, Oil Pan Gasket (Early) Includes Gaskets (1)631260 (1)631270 (2)631271 (1)631272 (1)631273
2	DDC23509239	STUD (M12 X 1.75 X 34)	22	N/A	KIT, Oil Pan Gasket (Late) Includes Gaskets (1)631261 (1)631270 (2)631271 (1)631272 (1)631273
3	DDC8922327	PLUG (1/4in P.T.)	22	N/A	KIT, Oil Pan w/ Gaskets & Bolts (w/ HDW) Includes Oil Pan (1)641281 Pan Gasket (1)631261 Isolator Assemblies (10)642020
4	DDC8929432	PLUG, Weep Hole	22	N/A	KIT, Oil Pan w/ Gaskets & Bolts (w/ HDW) Includes Oil Pan (1)641280 Pan Gasket (1)631261 Isolator Assemblies (10)642020
5	DDC8924140	VALVE, Draincock	23	DDC23505720	PLUG, Drain (Magnetic - 3/4in NPT)
6	DDC8929015	PIN, Dowel (16mm Dia.)	24	DDC23512307	ISOLATOR, Vibration (ECM)
7	DDC8929022	PIN, Dowel (16mm Diamond)	25	DDC23513683	ADAPTER, Guide
8	DDC8929153	PIN, Dowel (20mm Diamond)	26	DDC23533956	GUIDE, Oil Dipstick
9	DDC8929176	D-RING, Seal	26	DDC23514328	GUIDE, Oil Dipstick
10	DDC8929013	SEAL, Crevice	26	DDC23533969	DIPSTICK, Engine Oil
11	DDC23531249	KIT, Liner Includes Liner (1)661609 Seal Kit (1)621243	26	DDC23534354	DIPSTICK, Engine Oil
11	DDC23531250	KIT, Liner (14L) Includes Liner (1)661613 Seal Kit (1)621243	26	DDC23518348	DIPSTICK, Engine Oil
12	DDC8929102	GASKET, Oil Pan (Silicone)	27	DDC23513842	WASHER, Flat Copper Seal
12	DDC23522279	GASKET, Oil Pan	28	DDC23525500	RING, Counterbore Repair (STD)
13	DDC8929302	GASKET, Oil Fill (Lube to Block)	28	N/A	RING, Counterbore Repair (+.010)
14	N/A	KIT, Liner Seal Includes Seals (1)621220 (2)621221	28	N/A	RING, Counterbore Repair (+.020)
15	DDC23522282	PAN, Oil (Front Sump) (Use w/ 631261 Pan Gasket)	28	N/A	RING, Repair, Counterbore (+.030)
15	DDC23522283	PAN, Oil (Rear Sump) (Use w/ 631261 Pan Gasket)	29	DDC23528306	BRACKET, Gear Housing Support
15	N/A	PAN, Oil (Front Sump)	30	DDC23514711	TUBE, Oil Fill (1in NPT Fitting)
15	N/A	PAN, Oil (Rear Sump)	31	DDC23520931	NUT, Jam
16	DDC23531502	LINER	32	DDC23520930	INSERT, Side Port Pan
16	DDC23535511	LINER (14L)	33	N/A	RING, Lower Repair
17	DDC23517243	SPACER, Oil Pan Bolt	34	DDC23528307	BRACKET, Gear Housing Support
18	DDC23517242	ISOLATOR, Pan	35	DDC23520929	SEAL
19	DDC11504571	SCREW (M10 x 1.5 x 65mm)	36	DDC23521330	KIT, Oil Pan Hardware Includes Insert (1)640036 Nut (1)640035 Seal (1)136014
20	DDC23522281	ISOLATOR, Assembly (Oil Pan)			
20	DDC23530961	ISOLATOR, Assembly (Oil Pan) (w/ Stud in Head)			
21	DDC23539135	SHIM, Liner (.031) (Steel)			
21	N/A	SHIM, Liner (.031) (Brass)			
21	DDC23539136	SHIM, Liner (.062) (Steel)			
21	N/A	SHIM, Liner (.062) (Brass)			



SERIES 60 SECTION – CRANKSHAFT

KEY	OEM REF	DESCRIPTION	KEY	OEM REF	DESCRIPTION
1	DDC8929808	KEY	12	DDC23533692	KIT, Lower Bearing (12.7L & 14L EGR) Includes Thrust Bearing kit (1)671619 Main Bearings (7)671610 Rod Bearings (6)671595 Gasket (1)631273
2	DDC8929240	WHEEL, Timing Ring	12	N/A	KIT, Lower Bearing (.010/.010) Includes Main Bearings (7)671611 Rod Bearings (6)671596 Thrust Bearings (1)671619
2	DDC23513537	RING, Exciter (36 Teeth)	12	N/A	KIT, Lower Bearing (.020in/.020in) Includes Main Bearings (7)671612 Rod Bearings (6)671597
3	DDC8929241	GEAR (11.1L)	12	DDC23535280	KIT, Lower Bearing (12.7L & 14L EGR) Includes Thrust Bearing kits (1)671619 (1)671636 Main Bearings (7)671610 Rod Bearings (6)671595
3	DDC8929497	GEAR (12.7L)	12	DDC23531640	KIT, Lower Bearing (Former Style Crankshaft) Includes Rod Bearings (6)671570 Thrust Bearings (2)671620 Main Bearings (6)671610 (1)671615 Gaskets (1)631270 (2)631271 (1)631272 (1)631273 O-RINGS (1)621211 (1)621212
4	DDC8929670	BEARING, Main (STD)	12	N/A	KIT, Lower Bearing (.010) Includes Rod Bearings (6)671571 Main Bearings (6)671611 (1)671616 Thrust Bearings (2)671620 Gaskets (1)631270 (2)631271 (1)631272 (1)631273 O-RINGS (1)621211 (1)621212
4	DDC8929671	BEARING, Main (.010)	12	N/A	KIT, Lower Bearing (.020) Includes Rod Bearings (6)671572 Main Bearings (6)671612 (1)671617 Thrust Bearings (2)671620 Gaskets (1)631270 (2)631271 (1)631272 (1)631273 O-RINGS (1)621211 (1)621212
4	DDC8929672	BEARING, Main (.020)			
4	DDC8929673	BEARING, Main (.030)			
5	DDC23530554	BEARING, Main Thrust (Front-STD EGR)			
5	DDC23530555	BEARING, Main Thrust (Rear-STD EGR)			
5	DDC8929680	BEARING, Main Thrust (STD)			
5	DDC8929681	BEARING, Main Thrust (.010)			
5	DDC8929682	BEARING, Main Thrust (.020)			
5	DDC8929683	BEARING, Main Thrust (.030)			
5	DDC23533688	KIT, Main Thrust (STD-EGR) Includes Thrust Bearings (2)671601 (2)671602			
5	DDC23533263	BEARING, Main Thrust (Upper)			
6	DDC8929085	BEARING, Thrust Washer (STD)			
6	DDC8929697	BEARING, Thrust Washer (.005)			
6	DDC8929698	BEARING, Thrust Washer (.010)			
7	DDC8929125	WASHER			
8	DDC8929124	BOLT (M20 x 178.0)			
9	DDC23518355	SEAL, Front			
10	DDC23513578	KIT, Seal Rear (Double Lip Neoprene)			
10	DDC23516969	KIT, Rear Seal (Teflon) Includes Sleeve			
10	DDC23519651	SEAL, Rear			
11	DDC23515597	CRANKSHAFT (11.1 L) (12 hole) (Wide Brg)			
11	DDC23515598	CRANKSHAFT (12.7L) (6 Hole) (Wide Brg)			
11	DDC23515599	CRANKSHAFT (12.7L) (12 hole) (Wide Brg)			
11	DDC23527225	CRANKSHAFT (14L) (12 Hole)			

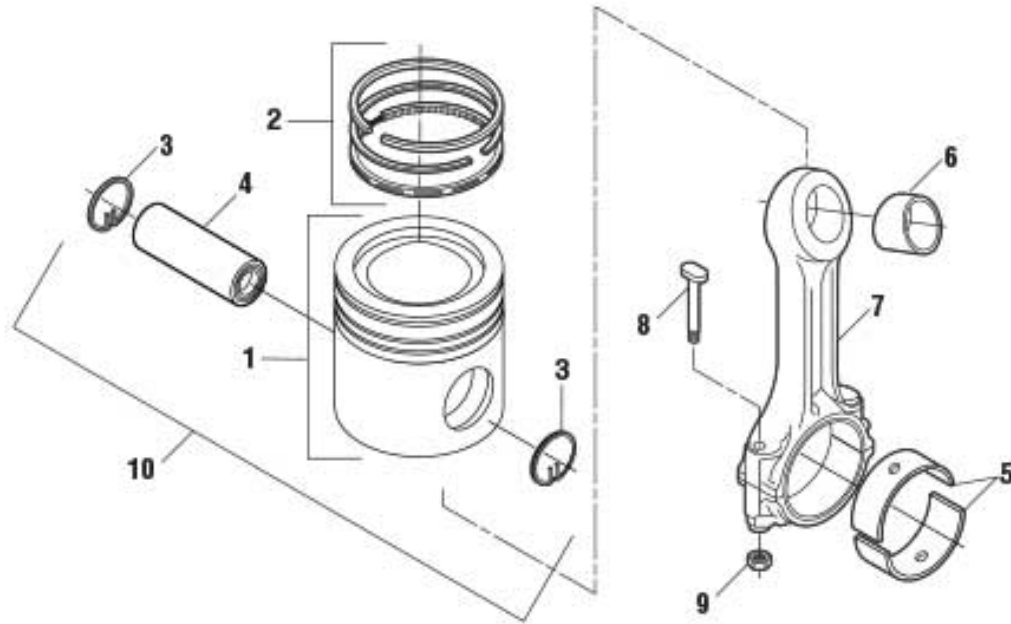
Continued



SERIES 60 SECTION – CRANKSHAFT

Continued

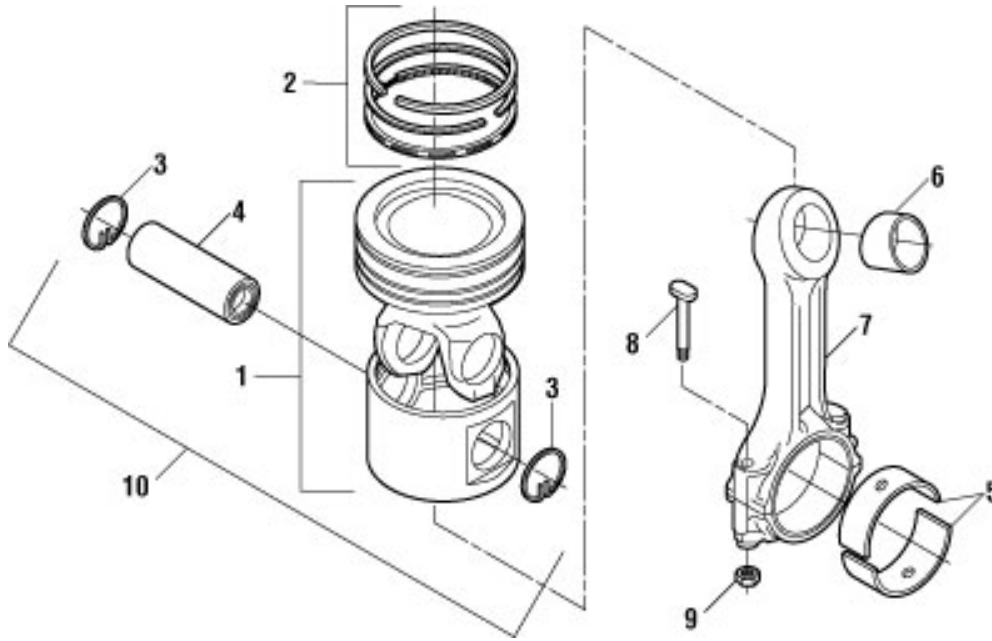
KEY	OEM REF	DESCRIPTION	KEY	OEM REF	DESCRIPTION
12	N/A	KIT, Lower Bearing (.030in) Includes Rod Bearings (6)671573 Thrust Bearings (2)671620 Main Bearings (6)671613 (1)671618 Gaskets (1)631270 (2)631271	12	N/A	KIT, Lower Bearing (.20) Includes Rod Bearings (6)671592 Main Bearings (6)671612 (1)671617 Thrust Bearings (2)671620 Gaskets (1)631270 (2)631271 (1)631272 (1)631273 O-RINGS (1)621211 (1)621212
12	DDC23531605	KIT, Lower Bearing (Non-Articulated Steel Piston) Includes Rod Bearings (6)671580 Thrust Bearings (2)671620 Main Bearings (6)671610 (1)671615 Gaskets (1)631270 (2)631271 (1)631272 (1)631273 O-RINGS (1)621211 (1)621212	12	N/A	KIT, Lower Bearing (.030) Includes Rod Bearings (6)671593 Main Bearings (6)671613 (1)671618 Thrust Bearing (2)67162 Oil Gasket (1)631270 Oil Pump Gaskets (1)631271 (1)631272 Pump Gasket (1)631273 O-Rings (1)621211 (1)621212
12	DDC23519905	KIT, Lower Bearing (.010) Includes Rod Bearing (6)671581 Main Bearing (6)671611 (1)671616 Thrust Bearing (2)671620 Gaskets (1)631270 (2)631271 (1)631272 (1)631273 O-RINGS (1)621211 (1)621212	13	DDC8929084	BEARING, Main Lower (STD) (As required)
12	DDC23519906	KIT, Lower Bearing (.020in) Includes Rod Bearings (6)671582 Main Bearings (6)671612 (1)671617 Thrust Bearings (2)671620 Gaskets (1)631270 (2)631271 (1)631272 (1)631273 O-RINGS (1)621211 (1)621212	14	DDC23524154	KIT, Main Lower Bearing Includes Main Bearing (1)671630 Thrust Bearing (2)671620
12	N/A	KIT, Lower Bearing (.030in) Includes Rod Bearings (6)671583 Main Bearings (6)671613 (1)671618 Thrust Bearings (2)671620 Gaskets (1)631270 (2)631271 (1)631272 (1)631273 O-RINGS (1)621211 (1)621212	15	DDCR23513559	GEAR, Timing Bull (Late 12.7L)
12	DDC23531606	KIT, Lower Bearing Includes Rod Bearings (6)671590 Thrust Bearings (2)671620 Main Bearings (6)671610 (1)671615 Gaskets (1)631270 (2)631271 (1)631272 (1)631273 O-RINGS (1)621211 (1)621212	15	DDCR23513559	GEAR, Timing Bull (Late 12.7L) (Available in Reman)
12	N/A	KIT, Lower Bearing (.010) Includes Rod Bearings (6)671591 Main Bearings (6)671611 (1)671616 Thrust Bearings (2)671620 Gaskets (1)631270 (2)631271 (1)631272 (1)631273 O-RINGS (1)621211 (1)621212	15	DDCR8929168	GEAR, Timing Bull (11.1L)
12	N/A	KIT, Lower Bearing (.010) Includes Rod Bearings (6)671591 Main Bearings (6)671611 (1)671616 Thrust Bearings (2)671620 Gaskets (1)631270 (2)631271 (1)631272 (1)631273 O-RINGS (1)621211 (1)621212	16	DDC8929430	KIT, Gear Bearing Includes Cones (2)GBG-8968 Cups (2)GCU-8969
12	N/A	KIT, Lower Bearing (.010) Includes Rod Bearings (6)671591 Main Bearings (6)671611 (1)671616 Thrust Bearings (2)671620 Gaskets (1)631270 (2)631271 (1)631272 (1)631273 O-RINGS (1)621211 (1)621212	17	DDC23535010	KIT, Main Thrust Bearing (STD #6) Includes Main Upper Bearing (1)671626 Main Lower Bearing (1)671630 Thrust Bearing (4)671620
			18	DDC23525990	DAMPER, Crank
			19	DDC23505891	O-RING, Oil Pump Outlet
			20	DDC23505892	O-RING, Oil Pump Inlet
			21	DDC5133981	WASHER, Hard Flat
			22	DDC23535849	NUT, Locking
			23	DDC08929222	SCREW, Crankshaft
			24	DDC23532866	GEAR, Idler
			24	DDC8929322	GEAR, Idler



**SERIES 60 SECTION – PISTONS, ROD BEARINGS & RING SETS –
CLOSED END ROD - MONOTHERM PISTON (12.7L&14L)**

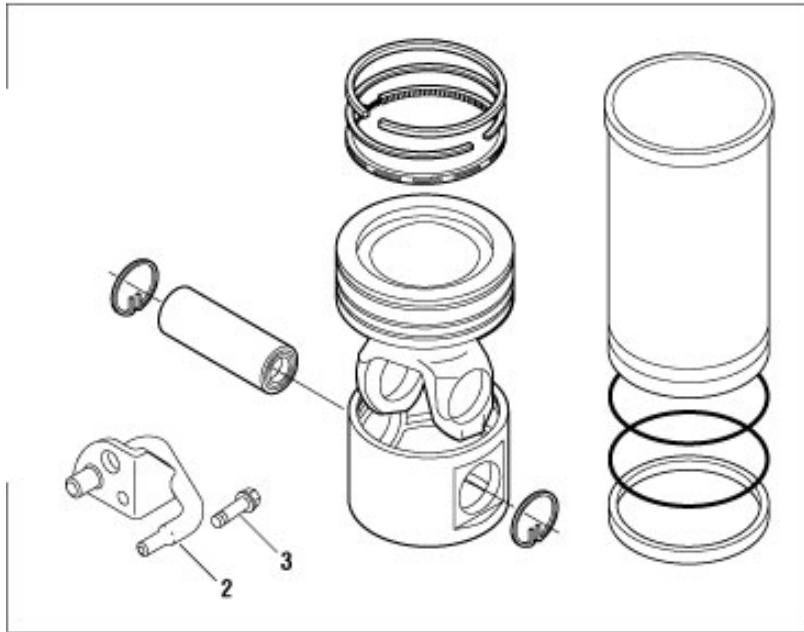
KEY	OEM REF	DESCRIPTION
1	DDC23533041	PISTON, Monotherm (12.7L-EGR)
1	DDC23533282	PISTON, Monotherm (14L-EGR)
1	DDC23536674	PISTON, Monotherm (14L-EGR)
1	DDC23537126	PISTON, Monotherm (14L-EGR)
1	N/A	PISTON, Monotherm (15/1 CR) Equivalent to 611023 Crown, replaces Piston kit 611025
1	N/A	PISTON, Monotherm (16.5/1 CR) Equivalent to 611028 Crown, replaces Piston kit 611029
1	N/A	PISTON, Monotherm (17/1 CR) Equivalent to 611032 Crown, replaces Piston kit 611040
1	N/A	PISTON, Monotherm (EGR) Equivalent to 611033 Crown
2	DDC23531251	SET, Piston Rings (12.7L-EGR)
2	DDC23537529	SET, Piston Rings (14L-EGR)
2	DDC23531252	SET, Piston Ring (For 14.0L Monotherm Piston)
3	DDC23521781	RETAINER
3	MAK97AX126	RETAINER
4	DDC23532007	PIN
5	DDC23526141	BEARING Pair, Rod (STD) (Late 12.7L & 14.0L)
5	DDC23533567	BEARING Pair, Rod (Late 12.7L & 14.0L) (.010in/.254mm)
5	DDC23533568	BEARING Pair, Rod (Late 12.7L & 14.0L) (.020in/.508mm)
6	N/A	BUSHING
7	DDC23526078	ROD, Connecting (12.7L)
7	DDC23526051	ROD, Connecting (14.0L)
8	DDC23522877	BOLT, Connecting Rod (M14 x 1.5 x 111.5mm) (12.7L & 14L)
9	DDC8929019	NUT, Connecting Rod (M14 x 1.5)
10	DDC23533593	KIT, Piston (12.7L-EGR) Includes Piston(1) 611036 Pin(1) 611006 Retainers(2) 611010

KEY	OEM REF	DESCRIPTION
10	DDC23533594	KIT, Piston (14L-EGR) Includes Piston(1) 611038 Pin(1) 611006 Retainers(2) 611010
10	DDC23537531	KIT, Piston Includes Piston(1) 611051 Pin(1) 611006 Retainers(2) 611010
10	N/A	KIT, Piston (Monotherm) Includes Piston (1)611053 Pin (1)611006 Retainers (2)611010
10	N/A	KIT, Piston (Monotherm) Replaces Piston kit 611026 Includes Piston (1)611123 Pin (1)611006 Retainers (2)611010
10	N/A	KIT, Piston (Monotherm) Replaces Piston kit 611030 Includes Piston (1)611128 Pin (1)611006 Retainers (2)611010
10	N/A	KIT, Piston (Monotherm) Replaces Piston kit 611030 Includes Piston (1)611128 Pin (1)611006 Retainers (2)611010



SERIES 60 SECTION – PISTONS, ROD BEARING AND RING SETS – CLOSED END ROD

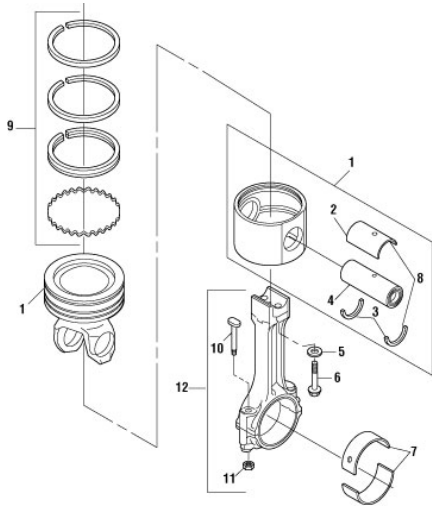
KEY	OEM REF	DESCRIPTION	KEY	OEM REF	DESCRIPTION
1	DDC23530600	KIT, Piston (15.0 CR) Includes Crown & Skirt	8	DDC23522877	BOLT, Connecting Rod *M15 x 15 x 111.5mm (12.7L & 14L)
1	DDC23530602	KIT, Piston (16.5 CR) Includes Crown & Skirt	9	DDC8929019	NUT, Connecting Rod (M14 x 1.5)
1	DDC23527791	KIT, Piston (12.7 L-EGR) Includes Crown & Skirt	10	DDC23530666	KIT, Piston (15.0 CR) (Heavy Pin) Includes Piston Kit (1)611025 Pin (1)611003 Retainers (2)611010
1	DDC23527775	KIT, Piston (16.1CR, 14.0L) Includes Crown & Skirt	10	DDC23532882	KIT, Piston (15.0 CR) (Light Pin) Includes Piston Kit (1)611025 Pin (1)611002 Retainers (2)611010
1	N/A	KIT, Piston Includes Crown & Skirt	10	DDC23530668	KIT, Piston (16.5 CR) (Heavy Pin) Includes Piston Kit (1)611029 Pin (1)611003 Retainers (2)611010
1	DDC23530598	KIT, Piston Includes Crown & Skirt	10	DDC23532884	KIT, Piston (16.5 CR) (Light Pin) Includes Piston Kit (1)611029 Pin (1)611002 Retainers (2)611010
1	DDC23530596	KIT, Piston Includes Crown & Skirt	10	DDC23530611	KIT, Piston(12.7 L-EGR) Includes Piston Kit (1)611034 Pin (1)611003 Retainers (2)611010
2	DDC23505729	SET, Piston Ring (3.5mm)	10	DDC23530664	KIT, Piston (16.1CR, 14.0L) Includes Piston Kit (1)611043 Pin (1)611005 Retainers (2)611010
2	DDC23503747	SET, Piston Rings (2.5mm Double Keystone)	10	DDC23530662	KIT, Piston Includes Piston Kit(1) 611046 Pin(1) 611005 Retainers(2) 611010
3	DDC23503747	RETAINER	10	DDC23530660	KIT, Piston Includes Piston Kit(1) 611049 Pin(1) 611005 Retainers(2) 611010
4	DDC23521649	PIN, Piston, Light (26mm I.D.)	10	N/A	KIT, Piston Includes Piston Kit (1)611053 Pin (1)611006 Retainers (2)611010
4	DDC23525168	PIN, Piston, Heavy (22mm I.D.)	10	N/A	KIT, Piston Includes HP Piston Kit (1)611040HP Pin (1)611003HP Retainers (2)GRI-2703
4	DDC23539049	PIN, Piston (14.0L)			
5	DDC23526142	BEARING Pair, Rod (12.7 L) (STD)			
5	DDC23527065	BEARING Pair, Rod (12.7 L) (.010in/.254mm)			
5	DDC23527066	BEARING Pair, Rod (12.7 L) (.020in/.508mm)			
5	DDC23527067	BEARING Pair, Rod (12.7 L) (.030in/.762mm)			
5	DDC23526141	BEARING Pair, Rod (Late 12.7L & 14.0L) (STD)			
5	DDC23533567	BEARING Pair, Rod (Late 12.7L & 14.0L) (.010in/.254mm)			
5	DDC23533568	BEARING Pair, Rod (Late 12.7L & 14.0L) (.020in/.508mm)			
6	N/A	BUSHING			
7	DDC23526078	ROD, Connecting (12.7L)			
7	DDC23526051	ROD, Connecting (14.0L)			



SERIES 60 – CYLINDER KITS – CLOSED END ROD

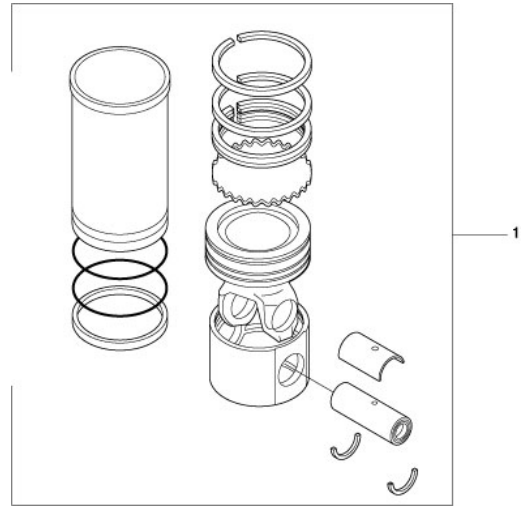
KEY	OEM REF	DESCRIPTION
1	DDC23532561	KIT, Cylinder Includes Liner Kit (1)661610 Piston Kit (1)611026 Ring Set (1)605010 Piston Nozzle (1)645030 Screw (1)640001
1	DDC23532883	KIT, Cylinder Includes Liner Kit (1)661610 Piston Kit (1)611027 Ring Set (1)605010 Piston Nozzle (1)645030 Screw (1)640001
1	DDC23532562	KIT, Cylinder Includes Liner Kit (1)661610 Piston Kit (1)611030 Ring Set (1)605010 Piston Nozzle (1)645030 Screw (1)640001
1	DDC23532885	KIT, Cylinder Includes Liner Kit (1)661610 Piston Kit (1)611031 Ring Set (1)605010 Piston Nozzle (1)645030 Screw (1)640001
1	DDC23530665	KIT, Cylinder Includes Liner Kit (1)661614 Piston Kit (1)611044 Ring Set (1)605030 Piston Nozzle (1)645030 Screw (1)640001
1	DDC23530612	KIT, Cylinder (12.7L EGR) Includes Liner Kit (1)661610 Piston Kit (1)611035 Nozzle (1)645030 Screw (1)640001 Ring Set (1) 605010
1	DDC23533595	KIT, Cylinder (12.7L EGR) (Monotherm Piston) Includes Liner Kit (1)661610 Piston Kit (1)611037 Nozzle (1)645030 Screw (1)640001 Ring Set (1) 605035

KEY	OEM REF	DESCRIPTION
1	DDC23533596	KIT, Cylinder (14.0L EGR) (Monotherm Piston) Includes Liner Kit (1)661614 Piston Kit (1)611039 Nozzle (1)645030 Screw (1)640001 Ring Set (1) 605030
1	DDC23530661	KIT, Cylinder Includes Liner Kit(1) 661614 Piston Kit(1) 611050 Ring Set(1) 605030 Piston Nozzle(1) 645030 Screw(1) 64001
1	DDC23530663	KIT, Cylinder (14.0L) Includes Liner Kit(1) 661614 Piston Kit(1) 611047 Ring Set(1) 605030 Piston Nozzle(1) 645030 Screw(1) 640001
1	DDC23536256	KIT, Cylinder (Monotherm Piston) Includes Liner Kit(1) 661614 Piston Kit(1) 611052 Ring Set(1) 605070 Piston Nozzle(1) 645030 Screw(1) 640001
1	DDC23538831	KIT, Cylinder (14L) (Monotherm Piston) Includes Piston Kit (1)611054 Ring Set (1)605070 Liner Kit (1)661614 Piston Nozzle (1)645030 Screws (1)640001
2	DDC23528493	NOZZLE, Piston
3	DDC23506222	SCREW, Nozzle Mounting



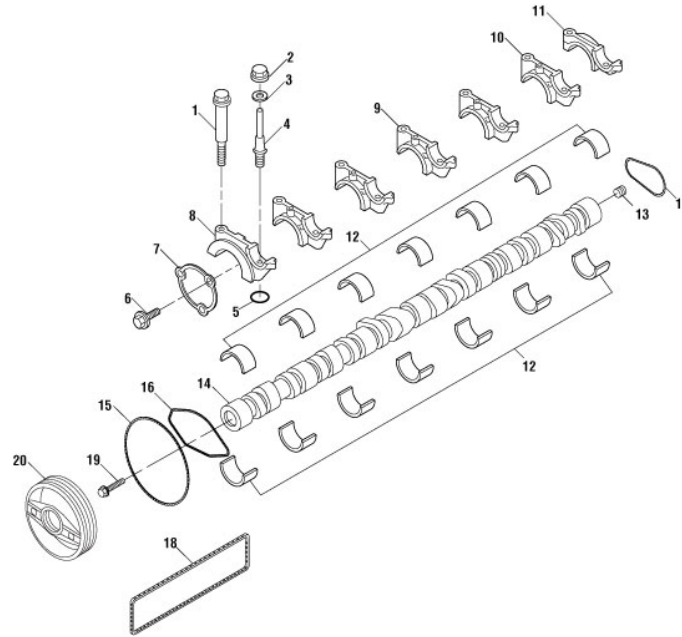
SERIES 60 SECTION – PISTONS, ROD BEARINGS AND RING SETS – CROSSHEAD DESIGN

KEY	OEM REF	DESCRIPTION
1	DDC23524601	KIT, Piston (16.5 CR) Includes Crown, Skirt, Bushing & Pin
1	DDC23519624	KIT, Piston (15.0 CR) Includes Crown, Skirt, Bushing & Pin
1	DDC23530600	KIT, Piston Includes Crown, Skirt
2	DDC23504942	BUSHING, Top (1 per Piston)
3	DDC23519558	BUSHING, Top (2 per Piston)
4	DDC8929087	PIN, Piston
5	DDC8929504	SPACER (2 per Piston)
6	DDC8929337	BOLT (2 per Piston)
7	DDC8929710	BEARING, Rod (Early-43mm) (STD)
7	DDC8929711	BEARING, Rod (Early-43mm) (.010in/.254mm)
7	DDC8929712	BEARING, Rod (Early-43mm) (.020in/.508mm)
7	DDC8929713	BEARING, Rod (Early-43mm) (.030in/.762mm)
7	DDC23515581	BEARING, Rod (Late-47mm) (STD)
7	DDC23515582	BEARING, Rod (Late-47mm) (.010in/.254mm)
7	DDC23515583	BEARING, Rod (Late-47mm) (.020in/.508mm)
7	DDC23515584	BEARING, Rod (Late-47mm) (.030in/.762mm)
8	DDC23519723	KIT, Pin Bushing Includes Bushings (1)651511 (2)651512
9	DDC23503747	SET, Piston Rings (2.5mm Double Keystone)
9	DDC23505729	SET, Piston Ring (3.5mm)
10	DDC8929355	BOLT, Connecting Rod (M14 x 1.5 x 108mm)(11.1L & 12.7L)
11	DDC8929019	NUT, Connecting Rod (M14 x 1.5)
12	DDC23515593	ROD, Connecting (Crosshead)



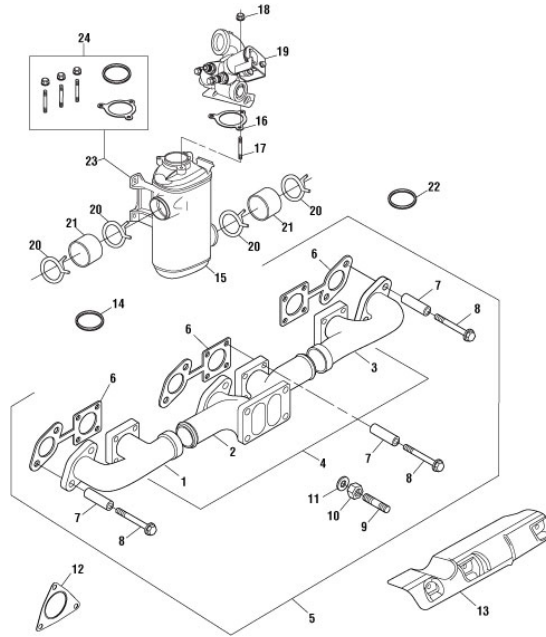
SERIES 60 SECTION – CYLINDER KITS – CROSSHEAD DESIGN

KEY	OEM REF	DESCRIPTION
1	DDC23532555	KIT, Cylinder Includes Liner Kit (1)661610 Piston Kit (1)611022 Ring Set (1)605010 Bolt (2)640010
1	DDC23532558	KIT, Cylinder Includes Liner Kit (1)661610 Piston Kit (1)611019 Ring Set (1)605010 Bolt (2)640010



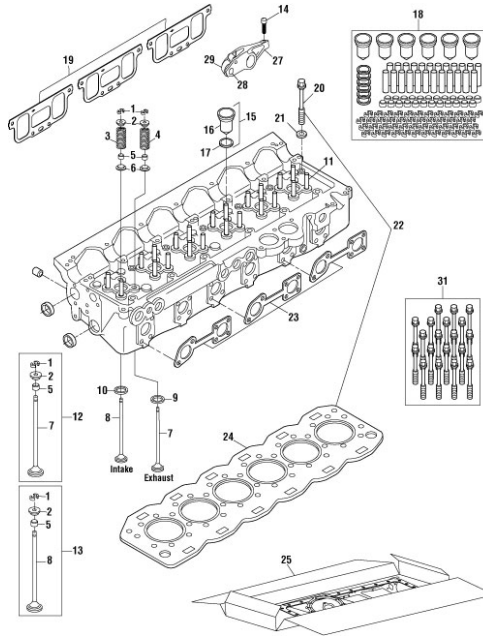
SERIES 60 SECTION – CAMSHAFT

KEY	OEM REF	DESCRIPTION	KEY	OEM REF	DESCRIPTION
1	DDC8929129	CAPSCREW (M12 x 1.75 x 64)	19	DDC23504851	CAPSCREW (M18 x 1.5 x 100)
2	DDC23500708	NUT (M12 x 1.75)	19	DDC23524882	CAPSCREW (M20 x 1.5 x 100)
3	DDC5111467	WASHER	20	DDC23521892	PLATE, Camshaft
4	DDC23529351	KIT, Stud & Seal	21	DDC8929316	GEAR, Camshaft Timing (Illustration not available at this time)
5	DDC8929740	RING, Rectangular	22	DDCR2353394	KIT, Camshaft (Illustration not available at this time)
6	DDC11509511	SCREW, Flanged Head (M8 x 1.25 x 20)			
7	DDC23514716	COVER			
8	DDC8929739	CAP, Rear			
9	DDC8929871	CAP, Center			
10	DDC8929870	CAP, Intermediate (4 req'd)			
11	DDC23522649	CAP, Front			
12	DDC8929690	BEARING, Cam (STD) (7 req'd)			
12	DDC8929691	BEARING, Cam (.010) (7 req'd)			
12	DDC8929692	BEARING, Cam (.020) (7 req'd)			
12	DDC8929693	BEARING, Cam (.030) (7 req'd)			
13	DDC8920172	PIN, Dowel			
14	DDC23524912	CAMSHAFT (12L, 14L) (Use 20mm Cam Bolts)			
14	DDC23528309	CAMSHAFT (12.7L) (Use 20mm Cam Bolts)			
14	DDC23513564	CAMSHAFT (12.7 L) (Use 18mm Cam Bolts)			
14	DDC23524292	CAMSHAFT (12.7 L) (Use 18mm Cam Bolts)			
14	DDC23521681	CAMSHAFT (12.7L)			
14	DDC8929473	CAMSHAFT (12.7L)			
14	DDC8929485	CAMSHAFT (11.1L)			
14	DDC23505195	CAMSHAFT (12.7 L)			
14	DDC23513562	CAMSHAFT (11.1L)			
15	DDC23528491	SEAL, Behind Cam Gear			
16	DDC23521894	GASKET, Cam Plate (3 Bolt)			
16	DDC23521935	GASKET, Cam Plate (2 Bolt)			
17	DDC23522975	SEAL, Cap			
17	DDC23522975	SEAL, Cam Cap			
18	DDC23527416	GASKET, Housing			



SERIES 60 SECTION – EXHAUST MANIFOLD & EGR COOLER

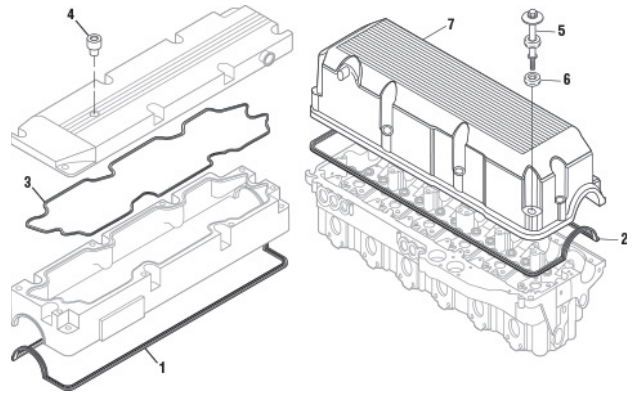
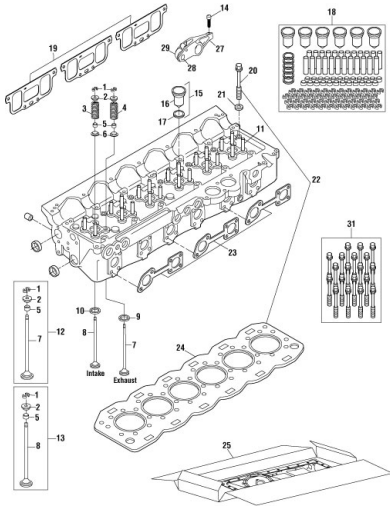
KEY	OEM REF	DESCRIPTION	KEY	OEM REF	DESCRIPTION
1	N/A	MANIFOLD, Exhaust Front (SPL)	6	DDC23533983	GASKET, Exhaust Manifold (Steel)
1	N/A	MANIFOLD, Exhaust Front/Rear (SPL)	7	DDC23511667	SPACER, Bolt
1	DDC23511221	MANIFOLD, Front	8	DDC23509744	SCREW (M10 x 1.5 x 120)
1	DDCR23511221	MANIFOLD, Exhaust Front	8	DDC8929357	SCREW (M10 x 1.5 x 118)
2	N/A	MANIFOLD, Exhaust Center (SPL)	9	DDC23507438	STUD (11.1L,12.7L)
2	DDC23519348	MANIFOLD, Exhaust Center (Flush Turbo Mount)	10	DDC11506101	NUT (11.1L, 12.7L)
2	DDC23516107	MANIFOLD, Exhaust Center	11	CUM3009330	WASHER, (11.1L, 12.7L)
2	DDC23532122	MANIFOLD, Exhaust Center (Angle Turbo Mount)	12	DDC12555806	GASKET, Exhaust Y Pipe
2	DDCR23532122	MANIFOLD, Exhaust Center	13	DDC23519124	SHIELD, Exhaust Heat
3	DDC23511222	MANIFOLD, Exhaust Rear	14	DDC23533911	SEAL, Exhaust Manifold (Internal Retaining Ring (Spiral))
3	DDCR23511222	MANIFOLD, Exhaust Rear	15	DDC23538835	COOLER, EGR
4	N/A	KIT, Exhaust Manifold Includes Manifolds (1)681110 (1)681111 (1)681112	16	DDC23533534	GASKET, EGR
4	N/A	KIT, Exhaust Manifold Includes Manifolds (1)681110X (1)681111X (1)681112X	17	DDC23533707	STUD, EGR (M8 x 1.25 X 40mm)
5	N/A	KIT, Exhaust Manifold Includes Manifolds (1)681100 (1)681101 (1)681102 Gaskets (3)631293 Spacers (12)640012 Screws (12)640021 Studs (4)040110	18	DDC23534432	NUT (M8 x 1.25)
5	DDC23512897	KIT, Exhaust Manifold Includes Manifolds (1)681109 (2)681112 Gaskets (3)631293 Spacers (12)640012 Screws (12)640021 Studs (4)340114	19	DDC23539301	VALVE, EGR
5	DDC23512896	KIT, Exhaust Manifold Includes Manifolds (1)681108 (1)681111 (1)681112 Gaskets (3)631293 Spacers (12)640012 Screws (12)640021 Studs (4)040110	20	DDC23501941	CLAMP, Hose
6	DDC23511666	GASKET, Exhaust Manifold (Graphite)	21	DDC05107607	HOSE, Coolant
			22	DDC23527385	RING, Rectangular
			23	DDCE23535288	KIT, EGR Cooler Includes EGR Cooler (1)641331 Gasket Kit (1)641332
			24	DDCOSK01307	KIT, EGR Gaskets Includes Studs (3)EST-0414 Nuts (3)ENU-0422 Ring (1)621268 Gasket (1)631349
			25	DDCA4721420580	GASKET, Injector Doser (Illustration not available)



SERIES 60 SECTION – CYLINDER HEAD AND VALVE MECHANISM

KEY	OEM REF	DESCRIPTION	KEY	OEM REF	DESCRIPTION
1	DDC8929573	LOCK, Valve (48 req'd per engine)	14	DDC23520818	SCREW, Adjusting Intake
2	DDC8929105	ROTATOR, Valve	14	DDC23520819	SCREW, Adjusting Exhaust
3	DDC8929415	SPRING, Exhaust Valve (2-7/8in long)	14	DDC23520820	SCREW, Adjusting Injector
4	DDC23530359	SPRING, Valve (3-1/8in long)	14	DDC23537089	SCREW, Adjusting Exhaust
4	DDC23535122	SPRING, Valve (14 L)	15	DDC23501580	KIT, Injector Tube Kits Includes Injector Sleeve Tube (1)692085 Injector O-Ring (1)621222
5	DDC23523930	SEAL, Intake/Exhaust Valve	16	N/A	TUBE, Injector Sleeve
6	DDC8929076	SEAT, Intake/Exhaust Valve Spring	16	DDC23538840	TUBE, Injector Sleeve (Steel)
7	DDC8929590	VALVE, Exhaust (Before 1991)	17	DDC23533147	O-RING, Injector
7	DDC23524521	VALVE, Exhaust (After 1991)	17	DDC23515470	O-RING, Injector
7	DDC23529596	VALVE, Exhaust (Nickel-based) (4V)	18	N/A	KIT, Head Rebuild Includes Injector Tube Kits (6)692084 Valve Locks (48)691950 Valve Guides (24)692020 Valve Seals (24)692000
8	DDC23529629	VALVE, Intake	19	DDC23531110	GASKET, Intake Manifold
9	DDC8929126	SEAT, Exhaust (STD thickness)	19	DDC23517875	GASKET, Intake Manifold
9	DDC8929628	SEAT, Exhaust (.010 under)	20	DDC23530768	BOLT, Cylinder Head (M16 x 2 x 175mm) (38/head)
9	DDC8929629	SEAT, Exhaust (.020 under)	21	DDC8929328	WASHER (16.8 x 25.8)
9	DDC8929630	SEAT, Exhaust (.030 under)	22	DDC23531255	KIT, Head Gasket Includes Head Gasket (1)631266 Bolts (2)640015
10	DDC8929127	SEAT, Intake (STD thickness)	23	DDC23511666	GASKET, Exhaust Manifold (Graphite material)
10	DDC8929625	SEAT, Intake (.010 under)	23	DDC23533983	GASKET, Exhaust Manifold (Two piece Steel laminated)
10	DDC8929626	SEAT, Intake (.020 under)	24	DDC23538406	GASKET, Cylinder Head
10	DDC8929627	SEAT, Intake (.030 under)	24	DDC23532045	GASKET, Cylinder Head
11	DDC23533552	GUIDE, Valve	25	DDC23532333	SET, Head
11	DDC23518572	GUIDE, Valve (OS + .005in (.13mm))	26	DDCR23525566	Assembly, Cylinder Head (Illustration not shown) (Reman) (12.7L)
12	DDC23501577	KIT, Exhaust Valve (Before 1991) Includes Valve (1)691910 Rotator (1)691960 Locks (2)691950 Seal (1)692000	26	DDCR23538858	Assembly, Cylinder Head (Illustration not shown) (Reman) (14L w/ EGR)
12	DDC23507504	KIT, Exhaust Valve (After 1991) Includes Valve (1)691912 Rotator (1)691960 Locks (2)691950 Seal (1)692000			
12	N/A	KIT, Exhaust Valve (14 L) Includes Exhaust Valve (1)691915 Rotator Valve (1)691960 Locks (2)691950 Seal (1)692000			
13	DDC23501576	KIT, Intake Valve Includes Valve (1)691908 Rotator (1)691960 Locks (2)691950 Seal (1)692000			

Continued



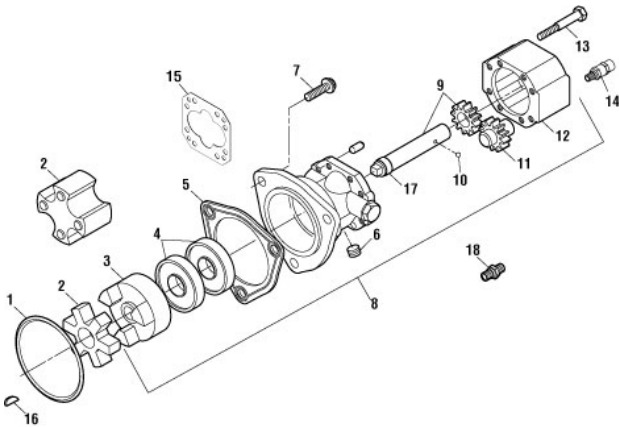
SERIES 60 SECTION – CYLINDER HEAD AND VALVE MECHANISM

Continued

KEY	OEM REF	DESCRIPTION
27	DDC23513939	ASSEMBLY, Rocker Injector
28	N/A	PIN, Roller Injector Rocker
29	N/A	ROLLER, Rocker Injector
30	N/A	KIT, Cylinder Head (Rebuild) (Illustration not shown) Includes Exhaust Valve Kit (12)691913 Valve Kits (12)691909 Valve Springs (24)692010 Exhaust Seats (12)691930 Intake Seats (12)691934 Valve Guides (24)692020 Spring Seats (24)692005
30	N/A	KIT, Cylinder Head (Minor) (Illustration not shown) Includes Exhaust Valve Kit (12)691913 Valve Kit (12)691909 Spring Valves (24)692010 Spring Seat (24)692005
30	N/A	KIT, Cylinder Head (Minor) (Illustration not shown) Includes Minor Cylinder Head Kit (1)660013 Injector Tube Kit (6)692084
31	N/A	KIT, Cylinder Head Bolt (19 pcs.)

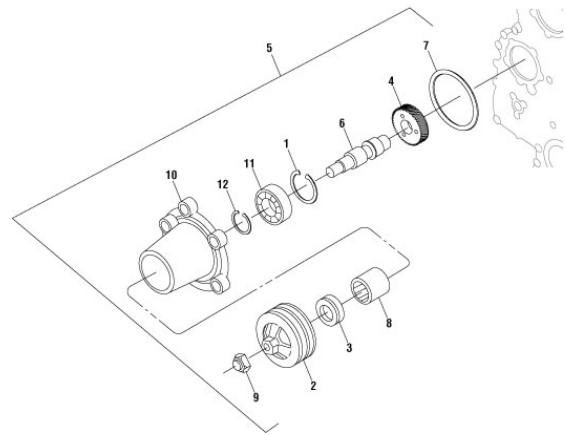
SERIES 60 SECTION – ROCKER COVER

KEY	OEM REF	DESCRIPTION
1	DDC23516322	GASKET, Valve Cover-Gray
2	DDC23522269	GASKET, Valve Cover-Black
3	DDC23511991	GASKET, Lower to Intermediate-Diamond (.178in thk x ~107in lg) Used w/ 8929653 Rocker Cover
3	DDC23511992	GASKET, Intermediate to Upper-Diamond (.178in thk x ~99in lg) Use w/ 23505973
3	DDC08929803	GASKET, Intermediate to Upper-Diamond (.143in thk x ~108in lg)
3	DDC23506153	GASKET, Intermediate to Upper-Diamond (.143in thk x ~99in lg)
4	DDC23517911	ISOLATOR, Cover
4	DDC23517912	ISOLATOR, Cover
4	DDC8929255	ISOLATOR, Cover
5	DDC23522271	ISOLATOR, Assembly (Valve Cover)
6	DDC23522270	ISOLATOR, Replacement used on #642022
7	DDC23522272	COVER, Valve (Vinyl)



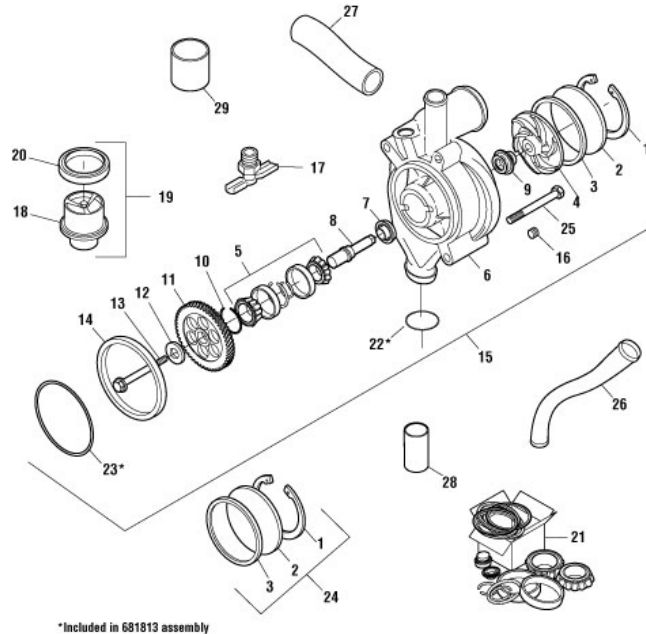
SERIES 60 SECTION – FUEL PUMP

KEY	OEM REF	DESCRIPTION
1	DDC8929253	O-RING, Accessory Drive Housing
2	DDC8929479	COUPLING, Drive (Left hand pump)
2	DDC23505249	COUPLING, Drive (for Pump 680350)
3	DDC8929480	HUB
4	DDC23512243	SEAL
5	DDC23505248	GASKET, Mounting
5	DDC5150193	GASKET, Mounting (Left hand pump)
6	DDC23506553	PLUG (1/8in NPT) (for Pump 680350)
6	DDC8923847	PLUG (1/4in NPT)
7	DDC23506222	SCREW, Mounting
8	DDC23532981	PUMP, Fuel Transfer
8	DDC23535540	PUMP, Fuel Transfer
8	DDC23536459	PUMP, Fuel Transfer (3.18cc & Spline Drive)
9	DDC23518607	SHAFT (w/ coupling)
10	DDC147481	BALL (1/8in)
11	DDC23506549	SHAFT
12	DDC23518611	HOUSING
13	DDC23506551	SCREW, Torx Head w/ Washer
14	DDC23516993	VALVE, Fuel Check (3/8in Male Pipe x #6 Female)
14	DDC23516919	VALVE, Fuel Check (3/8in x #8 Female)
14	DDC23516918	VALVE, Fuel Check (3/8in Male Pipe x #8 Female)
14	DDC23535129	VALVE, Fuel Check
15	DDC23506548	SHIM, Fuel Pump (.0006")
15	DDC23506547	SHIM, Fuel Pump (.0008")
15	DDC23516118	SHIM, Fuel Pump (.0011")
15	DDC23516117	SHIM, Fuel Pump (.0013")
16	DDC23511963	KEY, Fuel Pump (Woodruff) (1/8in x 3/8in)
17	DDC954838	BEARING, Fuel Pump
17	DDC8923526	BEARING, Fuel Pump (Roller Needle)
18	PKR16-FTX-S	FITTING, Connector



SERIES 60 SECTION – ACCESSORY DRIVE – ACCESSORY ASSEMBLY

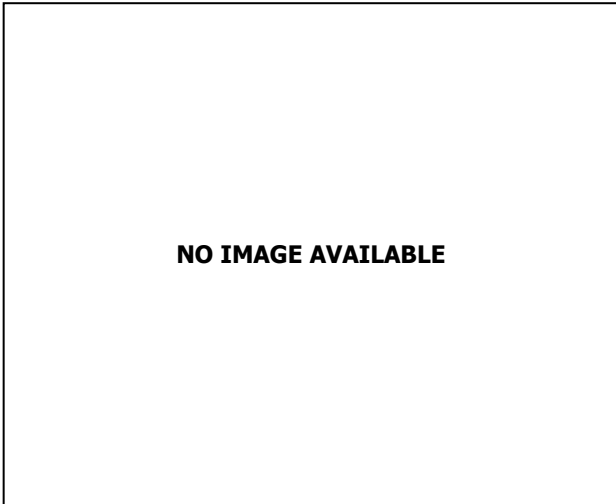
KEY	OEM REF	DESCRIPTION
1	DDC23509204	RING, Retaining
2	DDC23523975	PULLEY, Accessory Drive
2	DDC23523977	PULLEY, Accessory Drive
3	DDC23523995	SEAL, Shaft
4	DDC8929379	GEAR, Accessory Drive
4	DDC8929310	GEAR, Accessory Drive
4	DDCR8929310	GEAR, Accessory Drive (Reman)
5	DDC23523996	DRIVE, Accessory
5	DDC23523998	DRIVE, Accessory
5	DDC23509200	DRIVE, Accessory
6	DDC23509202	SHAFT, Accessory Drive
6	DDC23523973	SHAFT, Accessory Drive
7	DDC8929253	O-RING, Accessory Drive
8	DDC8929024	BEARING
9	DDC23532934	NUT, Locking
10	DDC23523972	HOUSING, Accessory Drive
11	DDC23509203	BEARING
12	DDC23525876	RING, Retaining



*Included in 681813 assembly

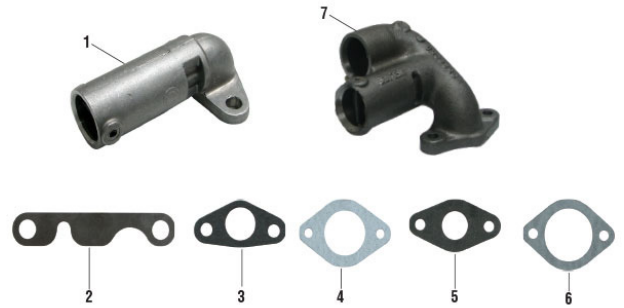
SERIES 60 SECTION – WATER PUMP AND THERMOSTAT

KEY	OEM REF	DESCRIPTION	KEY	OEM REF	DESCRIPTION
1	DDC8922407	RING	16	DDC23538636	ASSEMBLY, Water Pump (Horizontal Inlet 49th Gear)
1	DDC23530433	RING	16	DDC8922327	PLUG (1/4in)
2	DDC23538538	COVER, Water Pump (14L)	16	DDC 8929594	PLUG (3/8in)
2	N/A	COVER, Water Pump (Metal)	16	DDC8924750	PLUG (1in)
2	DDC8922383	COVER, Water Pump (Plastic, NLA use 681869)	16	DDC8923313	PLUG (3/4in)
3	DDC23530432	RING, Seal Rectangular	17	DDC8924140	VALVE, Draincock (1/4in)
3	DDC23512048	RING, Seal (Square Section) (.138in x .115in x 4.75in I.D.)	18	DDC23503827	THERMOSTAT (160° Non-Vented)
4	DDC23517973	IMPELLER (6 Vane-Hi Flow)	18	DDC23503825	THERMOSTAT (180° Non-Vented)
4	DDC23507913	IMPELLER (Standard Flow)	18	DDC8929878	THERMOSTAT (190° Non-Vented) (Sold in 681850 kit only)
5	TIML44643-90062	KIT, Bearing (Includes Bearings (1)681821 (1)681822 (2)ABG-9123 (2)ACU-9124)	19	N/A	KIT, Thermostat (160°) (Includes Thermostat (1)681829 Seal (1)EOS-3305)
6	DDC23517028	HOUSING, Water Pump (NSS)	19	N/A	KIT, Thermostat (180°) (Includes Thermostat (1)681830 Seal (1)EOS-3305)
6	DDC23522721	HOUSING, Water Pump (NSS)	19	DDC23532436	KIT, Thermostat (190°) (Includes Thermostat (1)681831 Seal (1)EOS-3305)
6	DDC23530427	HOUSING, Water Pump (NSS) (Included in 681213 Assembly)	20	DDC5132155	SEAL, Thermostat
7	DDC23528190	SEAL, Oil (Teflon lip)	21	DDC23529962	KIT, Water Pump Reconditioning (Includes Seals (1)621232 (1)621233 Retaining Ring (1)642010 Rectangular Ring (1)621262 (1)621263 (1)261264 O-Ring (1)621213 (1)EGA-2854 Bearing Kit (1)681820)
8	DDC23505896	SHAFT, Pump	22	DDC23527385	RING, Seal (.099in x .099in x 2.612in I.D.)
9	DDC23522433	SEAL, Water Pump (Heat Sink)	23	DDC23527272	O-RING (.139in x 5.894in ID)
10	DDC8929427	RING, Retaining	24	DDC23538693	KIT, Water Pump,Cover (Includes Cover (1)681868 Rings (1)621270 (1)ERI-2658)
11	DDC23527439	GEAR, Pump (Included in 681213 Assembly) (NSS)	25	DDC23505755	SCREW, Water Pump
11	DDC23505910	GEAR, Drive Pump (Right hand-61 teeth)	26	DDC23505898	TUBE, Coolant
12	DDC23505897	WASHER, Flat	27	DDC23505899	TUBE, Coolant
13	DDC23508863	SCREW (M12 x 1.75 x 50)	28	DDC8929875	HOSE, Coolant
14	DDC23520377	RING, Seal (Square Section) (.095in x .160in x 5.20in I.D.)	29	DDC23506325	HOSE, Coolant
15	DDC23514989	ASSEMBLY, Water Pump (Front Mount, Gear Drive)	29	DDC05107607	HOSE, Coolant (2.75in ID x 2.65in Long)
15	DDC23522707	ASSEMBLY, Water Pump (Replaced by 681812 & 681812E)			
15	DDC23526039	ASSEMBLY, Water Pump			
15	DDC23535017	ASSEMBLY, Water Pump (Vertical Inlet 57th Gear)			
15	DDCR23535018	ASSEMBLY, Water Pump (Horizontal Inlet 57th Gear)			



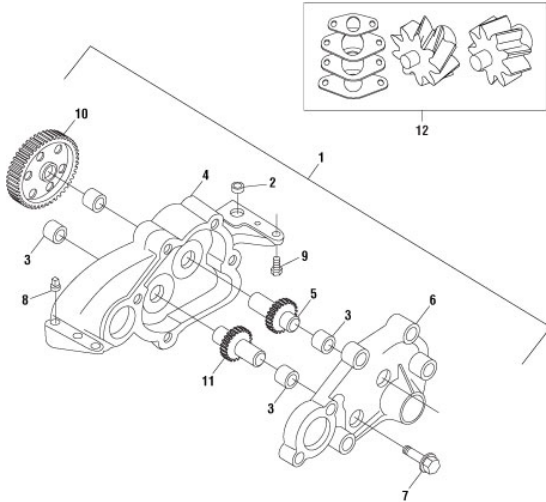
**SERIES 60 SECTION – WATER PUMP COMPONENTS
(NOT ILLUSTRATED)**

KEY	OEM REF	DESCRIPTION
1	DDC8929510	O-RING, Water Pump Cover (thick black)
1	DDC5101160	O-RING, Water Pump Cover (red thin)
2	DDC8929158	O-RING, Water Pump Mounting
2	N/A	O-RING
3	DDC23505024	RING, Rectangular (.095in x .160 x 4.20in I.D.)



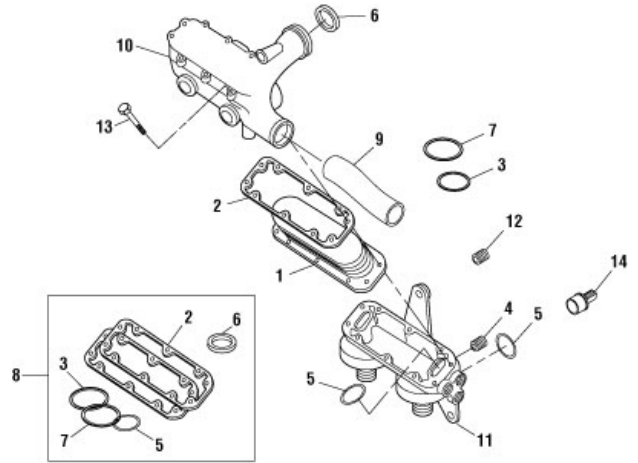
SERIES 60 SECTION – OIL PUMP COMPONENTS

KEY	OEM REF	DESCRIPTION
1	DDC23512901	REGULATOR, Assembly
2	DDC23508740	SHIM, Pump,Oil
3	DDC5117269	GASKET, Oil Regulator
4	DDC8929344	GASKET, Oil Pump Outlet
5	DDC8929347	GASKET, Oil Pump Outlet
6	DDC23505992	GASKET, Oil Pump Pickup
7	DDC23528691	RELIEF, Oil Pump



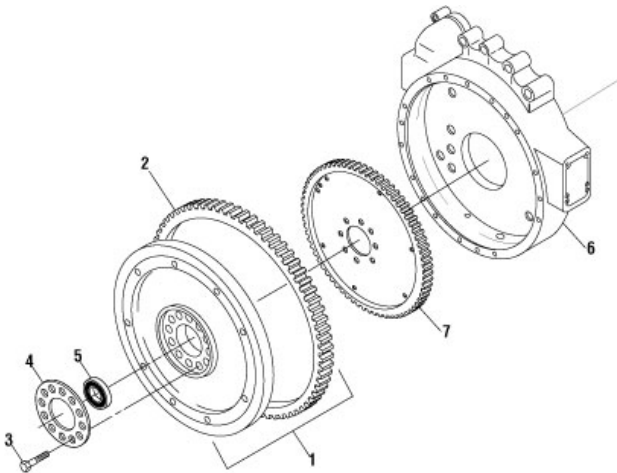
SERIES 60 SECTION – OIL PUMP ASSEMBLY

KEY	OEM REF	DESCRIPTION
1	DDC23505886	PUMP, Oil (12.7L) (Right side engine)
1	DDC23527448	PUMP, Oil (14.0L) (EGR)
2	DDC23505885	SLEEVE, Pump Alignment (Used w/ 641211 Oil Pump)
3	DDC23505879	BUSHING, Lube Pump (Used w/ 641211 Oil Pump)
4	DDC23505878	HOUSING, Pump
5	DDC23505882	GEAR, Oil Pump (Used w/ 641211 Oil Pump)
6	DDC23505883	COVER, Pump
7	DDC11509514	SCREW, Flanged Hex Head (Used w/ 641211 Oil Pump)
8	DDC8929011	PIN, Pump Dowel (Used w/ 641211 Oil Pump)
9	DDC8929393	SCREW, Mounting (M10 x 1.5 x 70mm) (Not shown)
10	DDP23505884	GEAR, Oil Pump Drive (Used w/ 641211 Oil Pump)
11	DDC23507337	GEAR, Oil Pump
12	DDC23511065	KIT, Oil Pump (Used w/ 641211 Oil Pump)



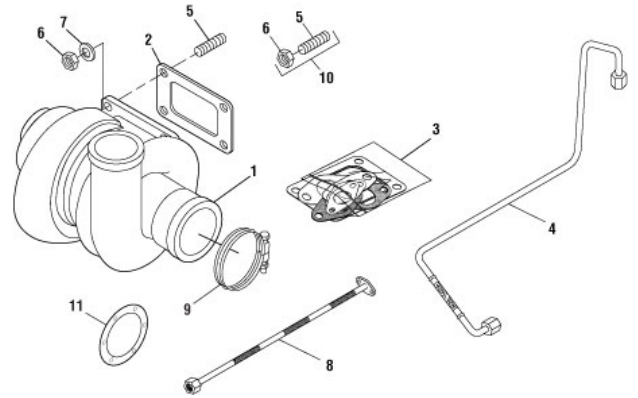
SERIES 60 SECTION – OIL COOLER

KEY	OEM REF	DESCRIPTION
1	DDC23522416	COOLER, Oil (10 Plates)
1	DDC23522415	COOLER, Oil (11 Plates)
2	DDC23506247	GASKET, Oil Cooler Housing
2	DDC8929348	GASKET, Oil Cooler Housing
3	DDC8929280	RING, Seal
4	DDC8922327	PLUG, 1/4in
4	DDC23511574	PLUG, 1in
4	DDC8923313	PLUG, 3/4in
5	DDC23508392	RING, Seal
6	DDC8929289	O-RING
7	DDC23532850	RING, Seal
8	DDC23537789	KIT, Gasket Includes Gaskets (1)631286 (1)631296 Rings (1)621265 (1)621261 (3)621260 O-Ring (1)621218
9	DDC23506325	HOSE, Coolant (2.75in ID x 3in)
10	DDC23526054	HOUSING, Cooler, Oil
11	DDC23537315	HOUSING, Cooler, Oil
12	DDC23531273	FITTING, Connector
13	DDC23507182	SCREW, Socket Head
13	DDC23507183	SCREW, Socket Head
14	DDC23524520	THERMOSTAT, Oil



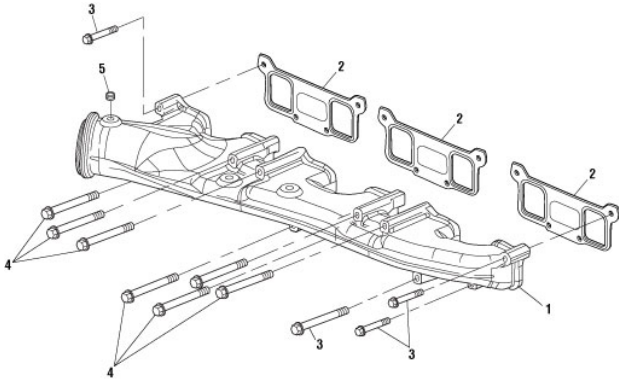
SERIES 60 SECTION – FLYWHEEL ASSEMBLY

KEY	OEM REF	DESCRIPTION
1	DDC23509709	FLYWHEEL Assembly (SAE #1) Flat Type w/ 12 Hole Mounting
1	DDC23514177	FLYWHEEL, Assembly
2	DDC5166664	GEAR, Flywheel (118 teeth)
3	DDC8929795	BOLT (9/16in-18 x 1-3/4in)
4	DDC5107251	PLATE
5	DDC23503707	BEARING
6	DDC23505124	HOUSING, Flywheel
6	DDC23505073	HOUSING, Flywheel
6	DDC23522643	HOUSING, Flywheel Includes Plugs (1) EPP-3566 (1)640130
7	DDC29546307	FLYWHEEL, Flex (1000/2000 Series)



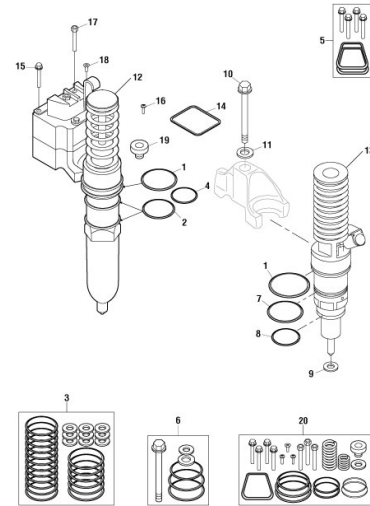
SERIES 60 SECTION – TURBOCHARGER

KEY	OEM REF	DESCRIPTION
1	DDCR9040968899	TURBOCHARGER (4.3L) (Mercedes)
1	DDC23522188	TURBOCHARGER (12.7L)
1	DDC23524100	TURBOCHARGER
1	DDC23536348	TURBOCHARGER
1	DDC23534775	TURBOCHARGER (14L)
1	DDCR23534775	TURBOCHARGER (14L) (Reman)
1	DDC23534361	TURBOCHARGER (14L, GT 5)
1	DDC23534360	TURBOCHARGER (12.7L) w/ Wastegate, variable geometry & a speed Sensor
1	DDC23534774	TURBOCHARGER
1	DDC23539570	TURBOCHARGER (14 L)
1	DDC23508410	TURBOCHARGER (11.1L)
1	DDC23508405	TURBOCHARGER (11.1L)
1	DDC23518588	TURBOCHARGER (12.7L)
1	DDC23528069	TURBOCHARGER (12.7 L)
1	DDC23515635	TURBOCHARGER (12.7L)
1	SCH196066	TURBOCHARGER (John Deere) (6466T)
1	DDC23504966	TURBOCHARGER (12.7L)
1	DDC23507909	TURBOCHARGER (11.1 L)
1	DDC23534774	TURBOCHARGER
2	DDC23535457	GASKET, Turbo
2	DDC8929529	GASKET, Turbo (Single Port)
3	SCH318417	KIT, Turbo Mounting Includes Gaskets (1)EGS-3890-020 (1)EGS-2861 (1)EGS-2862 (1)331308 (1)131480 (1)EGS-2863 (1)131494 O-Ring (1)121227
4	DDC23513188	LINE, Oil Pressure Assembly
4	DDC23539290	LINE, Oil Pressure Assembly
4	DDC23539286	LINE, Oil Pressure Assembly (Turbo Oil Feed Line)
5	DDC23507438	STUD (11.1L, 12.7L)
6	DDC11506101	NUT (11.1L, 12.7L)
6	DDC23531401	NUT (14L)
7	CUM3009330	WASHER (11.1L, 12.7L)
8	DDC23515354	LINE, Turbo Oil Drain(22.37in OAL)
8	DDC23518514	LINE, Turbo Oil Drain(20.25in OAL)
9	DDC23519094	CLAMP, V-Band
10	CUM3801888	KIT, Turbocharger Stud Includes Stud (1)040110 Nut (1)040062
11	DDC23535477	GASKET, Exhaust Outlet



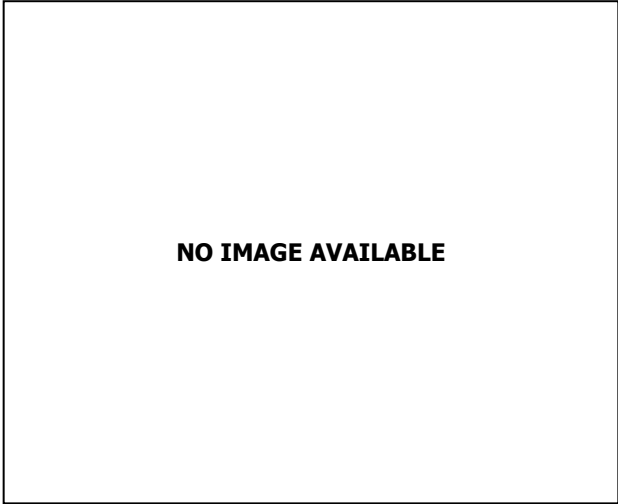
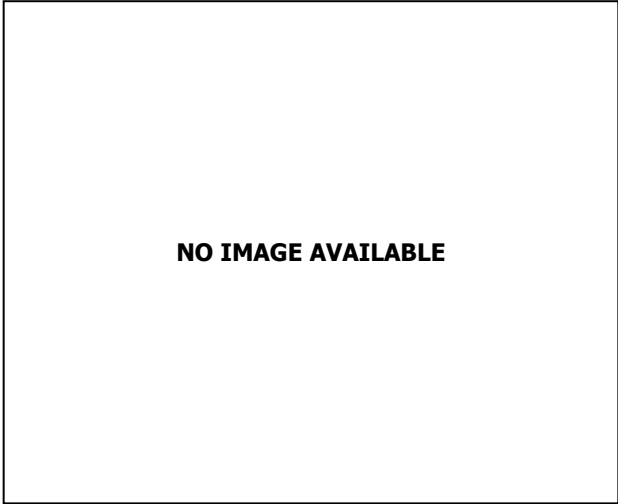
SERIES 60 SECTION – INTAKE MANIFOLD

KEY	OEM REF	DESCRIPTION
1	DDC23518207	MANIFOLD, Intake
1	DDC23517437	MANIFOLD, Intake
2	DDC23517875	GASKET, Intake
3	DDC11509799	SCREW, Flanged Head
4	DDC11509526	SCREW, Exhaust Manifold
5	DDC8923916	PLUG



SERIES 60 SECTION – FUEL INJECTION

KEY	OEM REF	DESCRIPTION
1	DDC5234702	O-RING, Upper Injector
2	DDC5234699	O-RING, Lower Injector
3	N/A	KIT, Injector O-Ring Includes O-Rings (6)621216 (12)621217 Seals (6)631337
4	DDC5104701	O-RING, Injector Tube
5	DDC5236116	KIT, Solenoid
6	DDC23537111	KIT, Injector Includes O-Rings (1)621216 (1)621240 (1)621241Seal (1)636050 Washer (1)642051 Screw (1)640014
6	DDC23537123	KIT, Injector Includes Injector O-Rings (1)821026 (1)821028 Injector Seal (1)636051 Screw (1)640014
7	DDCF00HN37860	O-RING, Upper Injector
8	DDCF00HN37331	O-RING, Lower Injector
9	DDC23511870	SEAL, Injector (Graphite, Early Units)
9	DDC23535778	SEAL, Injector
9	DDCF00H410608	SEAL
10	DDC8929393	SCREW, Hold-down
11	DDC23535699	WASHER, Clamp
12	DDC414703002	ASSEMBLY, Injector (Reman)
12	DDC5235915	ASSEMBLY, Injector (Reman)
12	DDCR5235575	ASSEMBLY, Injector (DDEC 3) (Reman)
12	DDCR5237466	ASSEMBLY, Injector (S50, S60, DDEC 3 & 4) (Reman)
12	DDCR5228770	ASSEMBLY, Injector (S71, N70)(Reman)
12	DDCR5234945	ASSEMBLY, Injector (11L, 12.7L & S60) (Reman)
12	DDCR5236977	ASSEMBLY, Injector (S50 & S60) (Available in Reman)
12	DDCR5237045	ASSEMBLY, Injector (S60) (Reman)
12	DDCR5234940	ASSEMBLY, Injector (Reman)
13	DDCR414703003	ASSEMBLY, Injector (14L, S60)(Reman)
14	DDC5234224	GASKET, Solenoid
15	DDC5235586	SCREW, EUI Stator (M3 x 0.5 x 45)
16	DDC4991455	SCREW, Injector (M3 x 0.5 x 8)
17	DDC4991470	SCREW, Injector (M3 x 0.5 x 8)
18	DDC4991454	SCREW, Injector (M3 x 0.5 x 10)
19	DDC4991466	SEAT, Valve
20	N/A	KIT,Injector Includes Screws (4)640024 (1)640034 (3)640033 (2)640032 O-Rings (1)321253 (2)621223 (2)621216 (1)621217 (1)321272 Gaskets (2)631348 Springs (1)692008 (1)692009 Seat (1)692006 Seal (1)631337

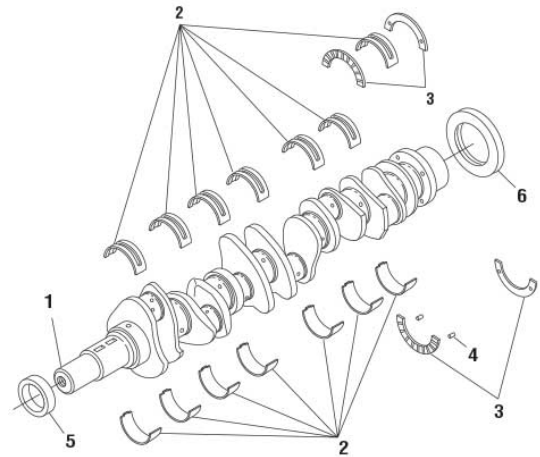
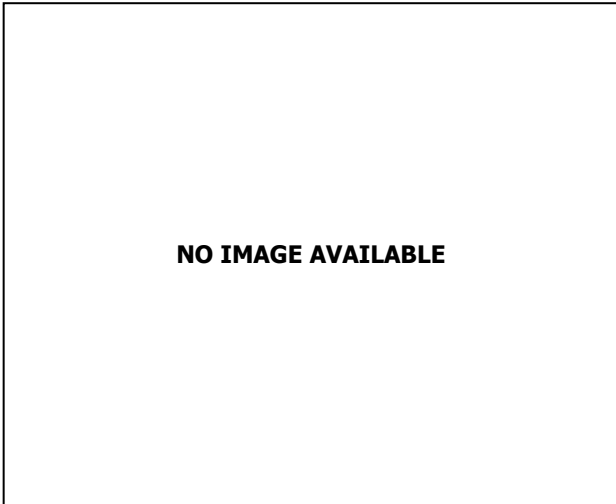


SERIES 60 SECTION – MISCELLANEOUS COMPONENTS

KEY	OEM REF	DESCRIPTION
1	DDC23533010	O-RING, Fuel Pump Square
2	DDC23521935	GASKET, Cam Housing
3	DDC8929130	GASKET, Accessory Drive
3	FOMF4HZ3K506C	GASKET, Steering Pump
4	DDC8929299	GASKET, Compressor Mounting
4	DDC23515145	GASKET, Compressor Mounting
5	DDC8929342	RING, Oil Filter Adapter
5	DDC8929340	RING, Oil Filter Adapter
6	DDC23527273	O-RING, Air Compressor Mounting
6	DDC23527275	O-RING, Air Compressor
7	DDC23530682	O-RING, Turbo Drain
8	DDC23523996	DRIVE, Accessory (12.7L)
9	DDC23512309	SCREW (ECM)
10	DDC23523973	SHAFT, Accessory Drive
11	DDC8929311	GEAR, Air Compressor Drive
12	DDC23536834	REGULATOR, VPOD Pressure
13	DDC11504822	SCREW, Flanged Hex Head
14	DDC23523995	SEAL, Accessory Drive Shaft
15	DDC23513558	HARNESS, Wiring

SERIES 60 SECTION – GASKET SETS

KEY	OEM REF	DESCRIPTION
1	DDC23532720	SET, Overhaul Gasket (Non-EGR) Includes Gasket Set (1)631249 O-Rings (1)621211 (1)621212 (1)621213 (1)621214 Rings (1)621261 (4)621260 (1)621263 (1)621262 Gasket (1)631273
1	DDC23536442	SET, Upper (EGR) (14L) (12.7L) Includes Seals (2)EOS-3305 (2)136102 (1)631302 (1)631300 Gaskets (1)631295 (1)131494 EGS-3890-020 (1)631288 (3)631291 (3)631293 (1)631266 (1)631314 Rings (2)621267
1	DDC23536443	SET, Overhaul Gasket (EGR) Includes Seals (2)EOS-3305 (1)631302 (1)631300 (1)121179 (6)636050 (2)136102 Gaskets (1)631303 (1)131494 (1)631299 (1)631290 (1)631288 (1)631301 (2)631270 (1)631296 (1)631273 (1)631298 (2)631271 (3)631272 (2)631297 (1)631266 (1)631295 (1)EGS-3890-020 (1)631314 (3)631291 (3)631293 O-Rings (1)EF30140 (2)621219 (1)621211 (1)621212 (1)621254 (2)621253 (1)621214 (2)621218 91)621213 (1)621250 (1)621252 (1)621269 (1)621216 (6)621240 (6)621241 Rings (3)621267 (1)121280 (2)621265 (1)621266 (1)621251 (4)621260 (1)621263 (1)621262 (1)621268 (1)621261 Washers (6)642051

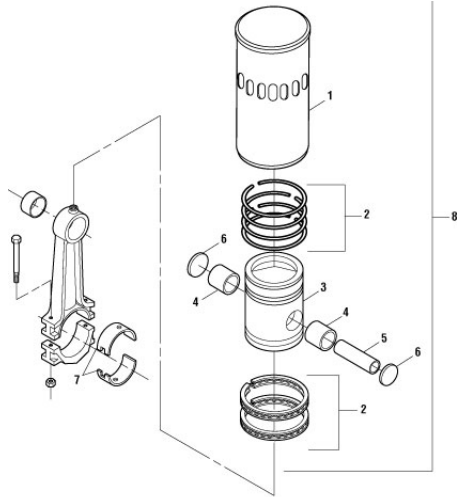


**SERIES 60 SECTION – MISCELLANEOUS KITS –
BASIC OVERHAUL KITS**

KEY	OEM REF	DESCRIPTION
1	DDC23531598	KIT, Basic Overhaul Includes Upper Gasket Set (1)631251 Cam Bearing (7)651520 Cylinder Kits (6)600917 Cylinder Head Bolts (38)640015
1	DDC23531599	KIT, Basic Overhaul Includes Upper Gasket Set (1)631251 Cam Bearing (7)651520 Cylinder Kits (6)600915 Cylinder Head Bolts (38)640015
1	DDC23531600	KIT, Basic Overhaul Includes Upper Gasket Set (1)631251 Cam Bearing (7)651520 Cylinder Kits (6)600910 Cylinder Head Bolts (38)640015
1	N/A	KIT, Basic Overhaul Includes Upper Gasket Set (1)631251 Cam Bearing (7)651520 Cylinder Kits (6)600911 Cylinder Head Bolts (38)640015
1	N/A	KIT, Basic Overhaul (Minor Kit) Includes Overhaul Gasket Kit (1)631251 Cylinder Kit (6)600917
1	N/A	KIT, Basic Overhaul (Minor Kit) Includes Overhaul Gasket Kit (1)631251 Cylinder Kit (6)600915
1	N/A	KIT, Basic Overhaul (Minor Kit) Includes Overhaul Gasket Kit (1)631251 Cylinder Kits (6)600910
1	N/A	KIT, Basic Overhaul (Minor Kit) Includes Overhaul Gasket Kit (1)631251 Cylinder Kit (6)600911

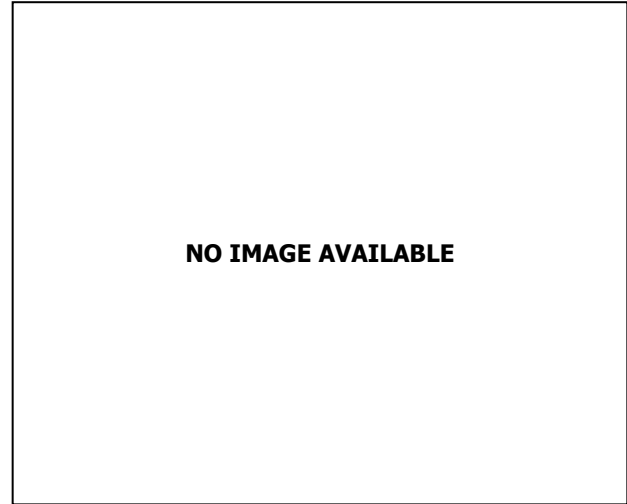
SERIES 71 SECTION – CRANKSHAFT

KEY	OEM REF	DESCRIPTION
1	DDC5107033	CRANKSHAFT (6V)
2	DDC5149565	BEARING, Main (STD) (Vee) (Turbo)
2	DDC5149567	BEARING, Main (.010) (Vee) (Turbo)
2	DDC5149568	BEARING, Main (.020) (Vee) (Turbo)
2	DDC8922118	BEARING, Main (.030) (Vee) (Turbo)
2	DDC5192874	BEARING, Main (STD) (Inline)
2	DDC5192875	BEARING, Main (.002) (Inline)
2	DDC5192876	BEARING, Main (.010) (Inline)
2	DDC5192877	BEARING, Main (.020) (Inline)
2	DDC5192878	BEARING, Main (.030) (Inline)
2	DDC5149556	BEARING, Main (STD) (Vee)
2	DDC5149559	BEARING, Main (.010in) (Vee)
2	DDC5149561	BEARING, Main (.020in) (Vee)
2	DDC5149563	BEARING, Main (.030in) (Vee)
2	DDC5117005	BEARING, Thrust Washer (STD) (Vee)
3	DDC5196753	BEARING, Thrust Washer (.005) (Vee)
3	DDC5196754	BEARING, Thrust Washer (.010) (Vee)
3	DDC5159353	BEARING, Thrust Washer (STD) (Inline)
3	DDC5160542	BEARING, Thrust Washer (.005) (Inline)
3	DDC5192111	BEARING, Thrust (.010) (Inline)
4	DDC141346	PIN, Dowel (Thrust Washer)
5	DDC5143108	SEAL, Double Lip
5	DDC5114335	SEAL, Lip Type
5	DDC5115454	SEAL, Lip Type
6	DDC5194462	SEAL, Lip Type
6	DDC5114335	SEAL, Lip Type
6	DDC5197860	SEAL, Lip Type (O/S)



SERIES 71 SECTION – PISTONS, ROD BEARINGS & RINGS SETS – CLOSED END ROD/TRUNK TYPE

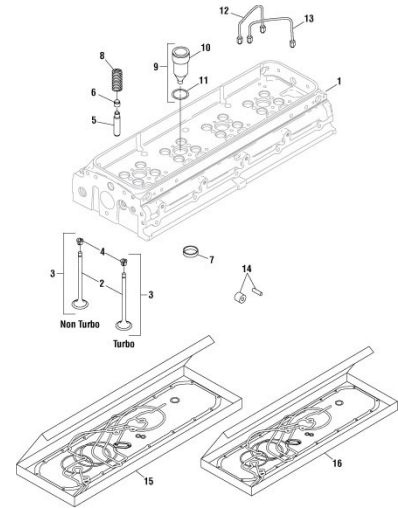
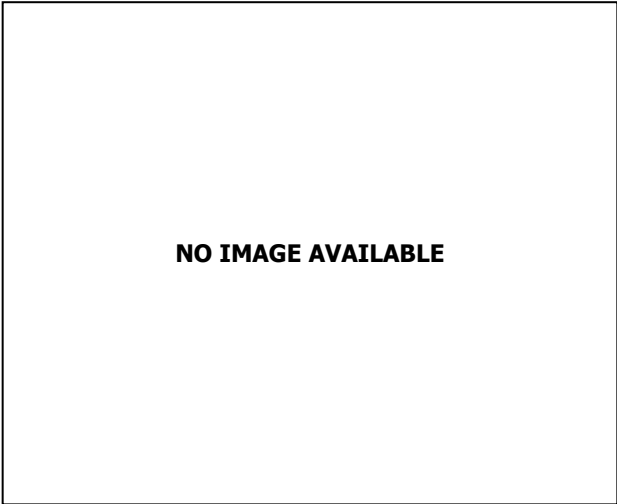
KEY	OEM REF	DESCRIPTION
1	DDC23504935	LINER (.95 Port #4) (Inline & Vee)
1	DDC5107449	LINER (.95 Port .010) (Inline & Vee)
1	DDC5107450	LINER (.95 Port .020) (Inline & Vee)
1	DDC5107455	LINER (.95 Port .030) (Inline & Vee)
1	DDC2350202	LINER (1.05in Port #3) (STD) (Inline & Vee)
1	DDC23504936	LINER (1.05 Port #4) (Inline & Vee)
1	DDC5193732	LINER (.005in) (Inline & Vee)
1	DDC5193733	LINER (.010in) (Inline & Vee)
1	DDC5193734	LINER (.020in) (Inline & Vee)
1	DDC5193735	LINER (.030in) (Inline & Vee)
2	DDC23514970	SET, Piston Rings (4VH) (Inline)
2	DDC23514971	SET, Piston Ring (4VH) (Trunk,Turbo Engine) Includes Rings (1)605064 (3)605065 (10605066
3	DDC5189054	PISTON, Assembly (17.5 CR) (2VH) (Inline) (Trunk)
3	DDC5149234	PISTON, Assembly (18.7 CR) (4VH) (Inline & Vee) (Trunk)
4	DDC5155839	BUSHING, Piston Pin (Trunk)
5	DDC5188406	PIN (1.6140in) (Non-Turbo)
6	DDC5188405	RETAINER, Pin (1.6150in) (Inline)
7	DDC5149572	BEARING, Rod (STD) (Vee)
7	DDC5149573	BEARING, Rod (.002) (Vee)
7	DDC5149575	BEARING, Rod (.010) (Vee)
7	DDC5149577	BEARING, Rod (.020) (Vee)
7	DDC5149579	BEARING, Rod (.030) (Vee)
7	DDC23511129	BEARING, Rod (STD) (Inline)
7	DDC23511131	BEARING, Rod (.002) (Inline)
7	DDC23511133	BEARING, Rod (.010) (Inline)
7	DDC23511135	BEARING, Rod (.020) (Inline)
7	DDC23511137	BEARING, Rod (.030) (Inline)
8	DDC23505306	KIT, Cylinder (4VH) (18.7 CR) (Trunk) Includes Piston Assembly (1)611101 Liner (1)661634 Pin (1)611004 Retainers (2)611012 Ring Set (1)605001



SERIES 71 SECTION – PISTONS, ROD BEARINGS & RINGS SETS – CROSSHEAD ROD

KEY	OEM REF	DESCRIPTION
1	DDC23504935	LINER (.95 Port,#4) (STD) (Inline)
1	DDC5107449	LINER (.95 Port) (.010in) (Inline)
1	DDC5107450	LINER (.95 Port) (.020in) (Inline)
1	DDC5107455	LINER (.95 Port) (.030in) (Inline)
1	DDC2350202	LINER (1.05in Port #3) (STD) (Inline & Vee)
1	DDC23504936	LINER (1.05 Port,#4) (STD) (Inline & Vee)
1	DDC5193732	LINER (1.05 Port) (.005in) (Inline & Vee)
1	DDC5193733	LINER (1.05 Port) (.010in) (Inline & Vee)
1	DDC5193734	LINER (1.05 Port) (.020in) (Inline & Vee)
1	DDC5193735	LINER (1.05 Port) (.030in) (Inline & Vee)
2	DDC23522955	SET, Ring
3	DDC23521992	CROWN, Piston (17.0 CR) (Inline)
3	DDC23522026	CROWN, Piston (18.7 CR) (Inline)
4	DDC8922221	SEAL, Piston (Former Style)
4	DDC23501676	SEAL, Piston (Current Style)
5	DDC23522070	SKIRT
6	DDC23501687	BEARING, Piston Pin (Slipper Type)
7	ddc5101120	PIN, Piston (1.50in dia. solid) (Turbo Engine)
7	DDC5144744	PIN, Piston (1.50in nut plate) (Non-Turbo Engine)
8	DDC5180250	RETAINER, Piston Pin (Turbo Engine)
9	DDC23526990	SET, Ring Includes Compression Ring (1)605056 Intermediate Ring (2)605057 Wiper Rings (1)605043 (3)605044 Expander Rings (2)605045 (2)605046
9	DDC23514965	SET, Ring, Oil Control
9	DDC23517442	SET, Ring, Oil Control (Low Soot)
10	DDC5149572	BEARING, Shell (STD)
10	DDC5149573	BEARING, Shell (.002in)
10	DDC5149575	BEARING, Shell (.010in)
10	DDC5149577	BEARING, Shell (.020in)
10	DDC5149579	BEARING, Shell (.030in)

Continued



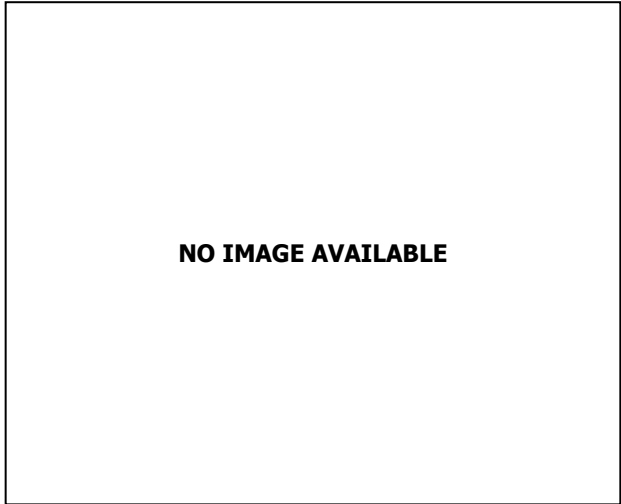
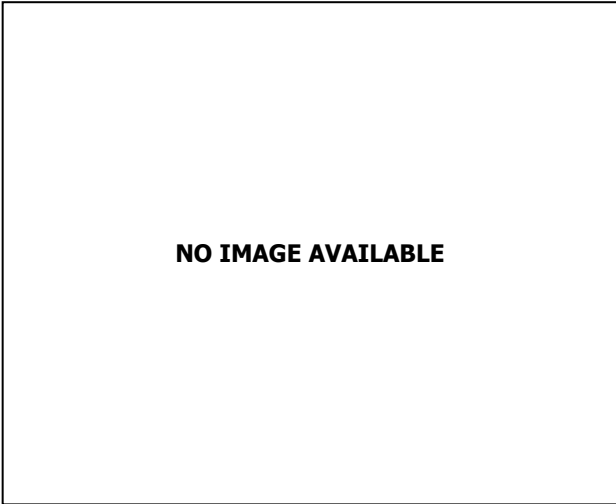
SERIES 71 SECTION – PISTONS, ROD BEARINGS & RINGS SETS – CROSSHEAD ROD

SERIES 71 SECTION – CYLINDER HEAD

Continued

KEY	OEM REF	DESCRIPTION
11	DDC23522535	KIT, Piston (18.7 CR) Includes Crown (1)611109 Slipper Bearing (1)651513 Seal (1)621226 Pin (1)611083 Retainers (2)611011
11	DDC23522475	KIT, Piston (17.0 CR) Includes Crown (1)611108 Slipper Bearing (1)651513 Seal (1)621226 Pin (1)611083 Retainers (2)611011
12	DDC23522497	KIT, Piston (18.7 CR) Includes Crown (1)611109 Skirt (1)611112 Slipper Bearing (1)651513 Seal (1)621226 Pin (1)611083 Retainers (2)611011
12	DDC23522495	KIT, Piston (17.0 CR) Includes Crown (1)611108 Skirt (1)611110 Slipper Bearing (1)651513 Seal (1)621226 Pin (1)611083 Retainers (2)611011
13	DDC23522953	KIT, Cylinder (17.0 CR) Includes Piston Kit (1)611114 Liner (1)661634 Ring Set (1)605055
13	DDC23522947	KIT, Cylinder Includes Piston Kit (1)611111 Liner (1)661634 Ring Set (1)605040

KEY	OEM REF	DESCRIPTION
1	DDC5102770	HEAD, Cylinder (4VH)
1	DDC5102771	HEAD, Cylinder (4VH)
2	DDC8922516	VALVE, Exhaust (4VH) (Turbo Engine) (30 deg. angle)
2	DDC5185327	VALVE, Exhaust (2VH) (Non-Turbo Engine) (30 deg. angle)
3	DDC23500501	KIT, Exhaust Valve (4VH w/ Locks) (Turbo/Non-Turbo Engine) (30 deg. angle)
3	DDC5193197	KIT, Exhaust Valve (2VH w/ Locks) (Non-Turbo Engine)
4	DDC5111337	LOCK, Valve (30 deg.) (4VH)
4	DDC23507238	LOCK, Valve (STD) (2VH) (30 deg.)
5	DDC5129919	GUIDE, Valve (4VH)
5	DDC5120930	GUIDE, Valve (2VH) (.016in O.S. OD)
6	DDC23500480	SEAL, Valve (2VH)
6	DDC8921209	SEAL, Valve (4VH)
7	DDC8927920	SEAT, Exhaust (STD) (2VH) (30 deg. angle)
7	DDC5198230	SEAT, Exhaust (.010) (2VH) (30 deg. angle)
7	DDC5101101	SEAT, Exhaust (STD) (4VH) (30 deg. angle)
7	DDC5197167	SEAT, Exhaust (.010) (4VH) (30 deg. angle)
8	DDC5147347	SPRING, Valve (4VH) (.148in wire diameter)
9	DDC8925981	KIT, Tube Injector Sleeve Includes Tube (1)692087 O-Ring (1)621223
10	DDC5150041	TUBE, Injector Sleeve
11	DDC5104701	O-RING, Injector Sleeve
12	DDC23533307	LINE, Fuel (Short) (All 4V)
13	DDC23533308	LINE, Fuel (Long) (All 4V)
14	DDC8923814	SET, Pin and Roller
15	DDC23512676	SET, Overhaul (6-71)
16	DDC5195742	SET, Head Gasket (6-71 Inline)
16	DDC5196381	SET, Head Gasket (8V & 16V-71)
16	DDC5198676	SET, Head Gasket (4-71 High Block)

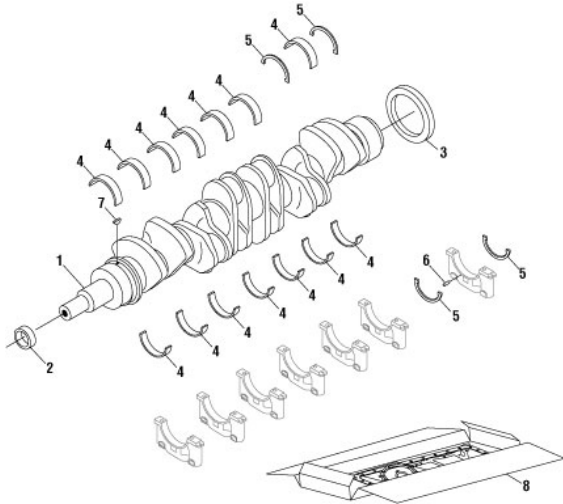


SERIES 71 SECTION – GASKETS

KEY	OEM REF	DESCRIPTION
1	DDC5195742	SET, Head Gasket (6V-71 High Inline)
1	DDC5196381	KIT, Cylinder Head Gasket (8V & 16V-71)
1	DDC5198676	KIT, Cylinder Head Gasket (4V-71 High Block)
2	DDC23512678	KIT, Engine Gasket Overhaul (6V-71)
2	DDC23512681	KIT, Engine Gasket Overhaul (12V-71)
2	DDC23512676	SET, Head Gasket,Overhaul (6-71)
2	DDC23512680	KIT, Engine Gasket Overhaul (8V-71)
2	DDC23512675	KIT, Engine Gasket Overhaul (4 cyl Inline High Block)
3	DDC5117231	GASKET, Oil Pan
4	DDC5117786	GASKET, Thermostat
4	DDC5117993	GASKET, Thermostat
4	DDC5123570	GASKET, Thermostat
5	DDC5150188	GASKET, Water Pump
6	DDC8924869	GASKET, Governor
7	DDC5133450	GASKET, Housing

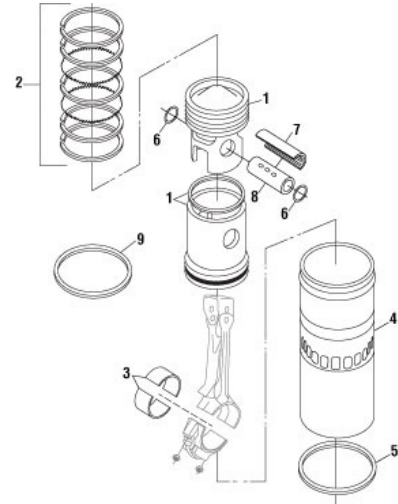
SERIES 71 SECTION – MISCELLANEOUS COMPONENTS

KEY	OEM REF	DESCRIPTION
1	DDC5192439	RING, Wear (Blower)
2	DDC23503011	SENSOR, RPM
3	DDC5229649	KIT, Injector
4	DDC23506735	ASSEMBLY, Water Pump (RH) (3,4,6-71)
5	DDC23506723	ASSEMBLY, Water Pump (LH) (3,4,6-71)
6	DDC8924267	HOSE, Hump
7	DDC23503826	THERMOSTAT
8	DDC5132155	SEAL, Thermostat 170 Deg.
9	DDC5199560	PUMP, Fuel Transfer (LH Rotation) (STD Capacity Pump)
9	DDC5199561	PUMP, Fuel Transfer (RH Rotation) (STD Capacity Pump)
10	DDC7451948	BEARING, Idler



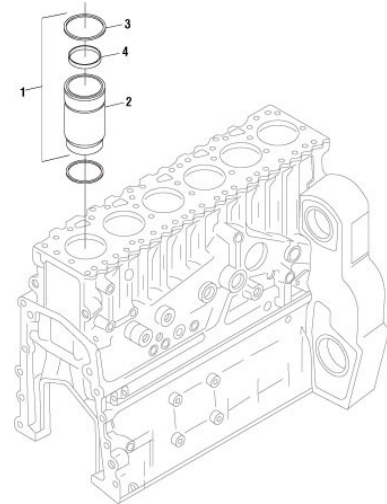
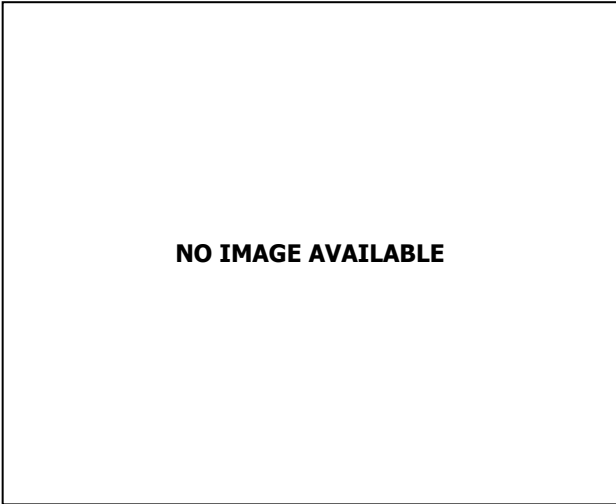
SERIES 92 SECTION – CRANKSHAFT COMPONENTS

KEY	OEM REF	DESCRIPTION
1	DDC8926419	CRANKSHAFT (6V92) (RH Rotation)
1	DDC8926425	CRANKSHAFT (8V92) (RH Rotation)
2	DDC8922046	SEAL, Front (LH)
2	DDC8922045	SEAL, Front (RH)
2	DDC5115454	SEAL, Front
2	DDC23514608	SEAL, Front
3	DDC5194462	SEAL, Rear (Seal Lip Type) (O/S, Non-directional)
4	DDC5149565	BEARING, Main (STD)
4	DDC5149566	BEARING, Main (.002)
4	DDC5149567	BEARING, Main (.010)
4	DDC5149568	BEARING, Main (.020)
4	DDC8922118	BEARING, Main (.030)
5	DDC5117005	BEARING, Thrust (STD)
5	DDC5196753	BEARING, Thrust (.005)
5	DDC5196754	BEARING, Thrust (.010)
6	DDC141316	PIN (3/16 x 1/2)
7	DDC8928545	KEY (3/16 x 7/8)
8	DDC23512684	SET, Gasket Overhaul



SERIES 92 SECTION – PISTONS, ROD BEARINGS AND RING SETS

KEY	OEM REF	DESCRIPTION
1	N/A	KIT, Piston (Dome) (17:1 CR) Includes Crown, Skirt & Seal
1	DDC23500883	KIT, Piston (Dome) (18:1 CR) Includes Crown, Skirt & Seal
1	DDC23505052	KIT, Piston (Dome) (15:1 CR) Includes Crown, Skirt & Seal
2	DDC23524349	SET, Piston Ring (Crosshead, wide gap fire ring)
2	DDC23524542	SET, Piston Ring (Crosshead, standard gap fire ring)
3	DDC5149572	BEARING, Rod (STD)
3	DDC5149573	BEARING, Rod (.002)
3	DDC5149575	BEARING, Rod (.010)
3	DDC5149577	BEARING, Rod (.020)
3	DDC5149579	BEARING, Rod (.030)
4	DDC5107176	LINER (STD) (.95 port)
4	DDC5148505	LINER (STD) (1.05 port, 30 deg.)
5	DDC8927189	SEAL, Liner
6	DDC5180250	RETAINER, Pin
7	DDC23501687	BEARING, Pin
8	DDC5101120	PIN, Piston
9	DDC8923729	SEAL, Piston

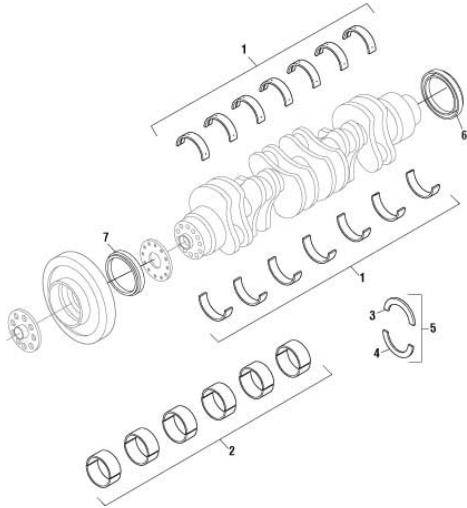


**SERIES 92 SECTION – MISCELLANEOUS COMPONENTS –
8V92**

KEY	OEM REF	DESCRIPTION
1	DDC5111424	WASHER, Camshaft Thrust (STD)
1	DDC5194826	WASHER, Camshaft Thrust (.005)
1	DDC5194827	WASHER, Camshaft Thrust (.010)
2	DDC5196026	BEARING, Camshaft Intermediate (STD)
2	DDC5196027	BEARING, Camshaft Intermediate (.010)
2	DDC5196028	BEARING, Camshaft Intermediate (.020)
2	DDC5196029	BEARING, Camshaft Intermediate (STD/.010 Over)
3	DDC5111422	BEARING, Camshaft Rear (STD)
3	DDC5194858	BEARING, Camshaft Rear (.010)
3	DDC5194859	BEARING, Camshaft Rear (.020)
3	DDC5197236	BEARING, Camshaft Rear (STD/.010 Over)
3	DDC5197237	BEARING, Camshaft Rear (.010 Over)
3	DDC5197238	BEARING, Camshaft Rear (.020 Over)
4	DDC5117984	BEARING, Camshaft Front (STD)
4	DDC5197569	BEARING, Camshaft Front (.010)
4	DDC5197613	BEARING, Camshaft Front (.020)
5	DDC5129919	GUIDE, Valve
6	DDC5150041	TUBE, Injector Sleeve
7	DDC5104701	O-RING, Injector Sleeve
8	DDC8925981	KIT, Tube Injector Sleeve Includes Tube (1)692087 O-Ring (1)621223
9	DDC5111337	LOCK,Valve (30°)
9	DDC23507238	LOCK,Valve (STD)
10	DDC8927189	SEAL,Liner
11	DDC8923729	SEAL,Piston
12	DDC23503011	SENSOR,RPM
13	DDC5199560	PUMP,Fuel Transfer(LH Rotation) (STD Capacity Pump)
13	DDC5199561	PUMP,Fuel Transfer(RH Rotation) (STD Capacity Pump)
14	DDC7451948	BEARING,Idler

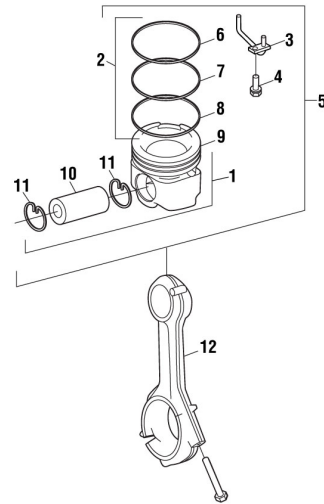
DD15 SECTION – CYLINDER BLOCK COMPONENTS

KEY	OEM REF	DESCRIPTION
1	DDCA4720111910	KIT, Liner Includes Liner (1)661625 Upper Seal (1)621228 Lower Seal (1)621229
1	DDCA4720111810	KIT, Liner Includes Liner (1)661627 Upper Seal (1)621238 Lower Seal (1)621239
2	DDCA4720110910	LINER, Cylinder
2	DDCA4720110810	LINER, Cylinder
3	DDCA0249974845	SEAL, Liner (Upper)
3	DDCA0249975245	SEAL, Liner (Upper)
4	DDCA0239975345	SEAL, Liner (Lower)



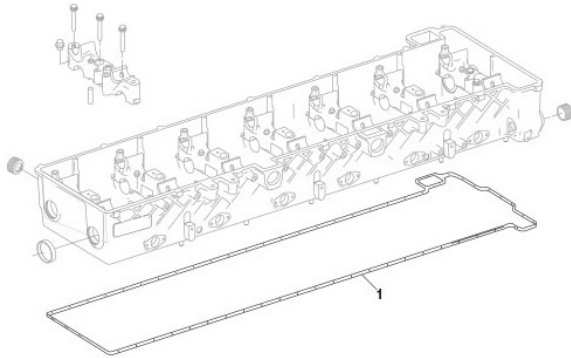
DD15 SECTION – CRANKSHAFT

KEY	OEM REF	DESCRIPTION
1	DDCA4720300240	BEARING, Main (STD)
2	DDCA4720300960	BEARING, Rod (STD)
3	DDC4720108	BEARING, Thrust (Upper) (STD)
4	DDC4720107	BEARING, Thrust (Lower) (STD)
5	DDCA4720300445	SET, Thrust Bearing (STD) Includes Upper Thrust Bearing (2)671627 Lower Thrust Bearing (2)671628
6	DDCA0159974946	SEAL, Rear Crank
7	DDCA0169970646	SEAL, Front Crank

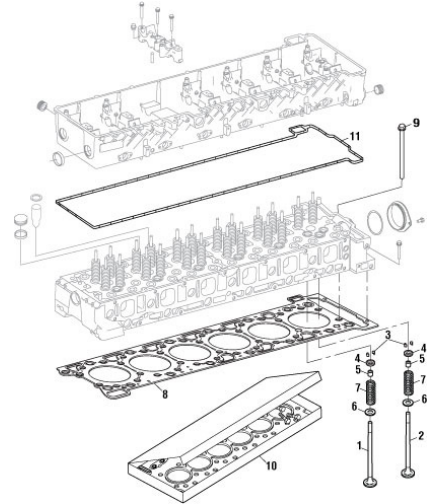


DD15 SECTION – PISTON AND ROD ASSEMBLY

KEY	OEM REF	DESCRIPTION
1	N/A	KIT, Piston Includes Piston (1)611070 Pin (1)611007 Retainers (2)611009
1	N/A	KIT, Piston Includes Piston (1)611073 Pin (1)611007 Retainers (2)611009
2	DDCA4720300624	SET, Ring SET, Piston Ring Includes Compression (1)605075 Intermediate (1)605076 Oil Control (1)605077
2	DDCA4720300324	SET, Ring SET, Piston Ring Includes Compression (1)605075 Intermediate (1)605076 Oil Control (1)605078
3	DDCA4721800043	NOZZLE, Piston
4	DDC23512309	SCREW, Shoulder
5	DDCA4720302317	KIT, Piston Includes Piston Kit (1)6110071 Ring Set (1)605074 Nozzles (1)645031 Screw (1)640007
5	DDCA4720302717	KIT, Piston Includes Piston Kit (1)611074 Ring Set (1)605079 Nozzle (1)645031 Screw (1)640007
6	DDCA4720416002	RING, Compression
7	DDCA4720317002	RING, Intermediate
8	DDCA4720918001	RING, Oil Control
8	DDCA4720018	RING, Oil Control
9	DDCA4720371401	PISTON (Monotherm)
9	DDCA47202001	PISTON (Monotherm)
10	DDCA4720370320	PIN, Piston
11	DDCA4729940341	RETAINER, Piston
12	DDCA4720300120	ROD, Connecting

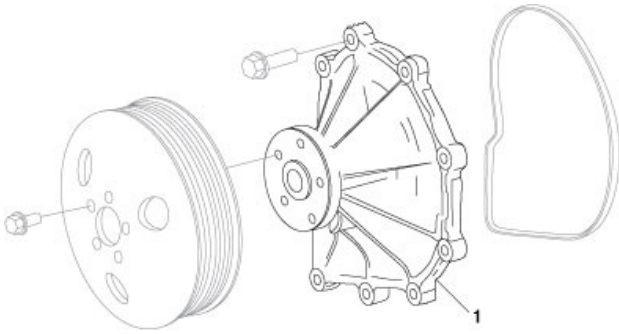


DD15 SECTION – CAMSHAFT



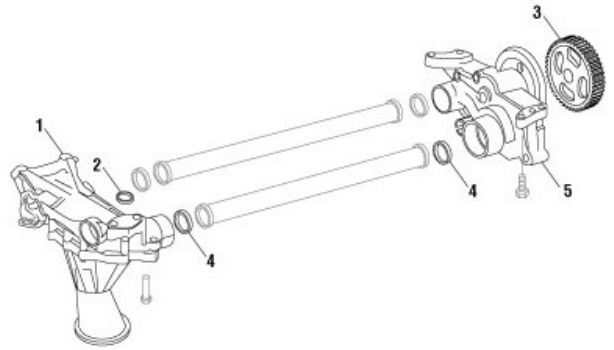
DD15 SECTION – CYLINDER HEAD

KEY	OEM REF	DESCRIPTION
1	DDCA4730500126	VALVE, Intake
2	DDCA4730500127	VALVE, Exhaust
3	DDCA4720530026	LOCK, Valve
4	DDCA4720530025	RETAINER, Valve
5	DDCA4700530158	SEAL, Valve
6	DDCA9069900040	SEAT, Spring
7	DDCA4720530420	SPRING, Valve
7	DDCA4720530520	SPRING, Valve
7	DDCA4720530220	SPRING, Valve
8	DDCA4720161320	GASKET, Head
8	DDCA4720161820	GASKET, Head
9	DDCA4720160169	SCREW, Cylinder Head
10	DDCA4710161520	SET, Head Gasket
11	DDCA4720160680	GASKET, Cam Housing
11	DDCA4720160380	GASKET, Camshaft Housing
12	DDCA4600700887	KIT, Injector Includes O-Rings (1)621209 (1)621210 (1)321254 Gasket (1)631368 Seal (1)636052 Screw (1)640041
13	DDCA0179978645	O-RING, Injector
14	DDCA0179978845	O-RING
15	DDCA4720780180	GASKET, Injector
16	DDCA0000171560	SEAL, Copper Injector
17	DDCA0029900400	SCREW, Flanged (M8 x 1.25 x 55)
18	DDCOSK01516	KIT, Gasket Includes Injector Kit (1)621245 Gasket (1)631367 Tubes (1)691837 (1)691838
18	DDCOSK01514	KIT, Gasket Includes Injector Kit (1)621245 Gasket (1)631352 Tubes (1)691837 (1)691838



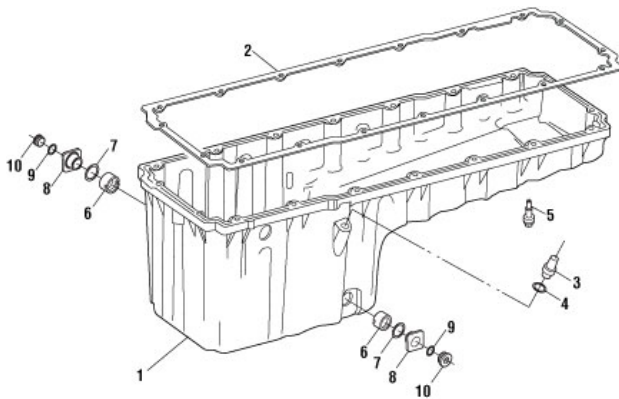
DD15 SECTION – WATER PUMP

KEY	OEM REF	DESCRIPTION
1	DDCEA4722000401	ASSEMBLY, Water Pump



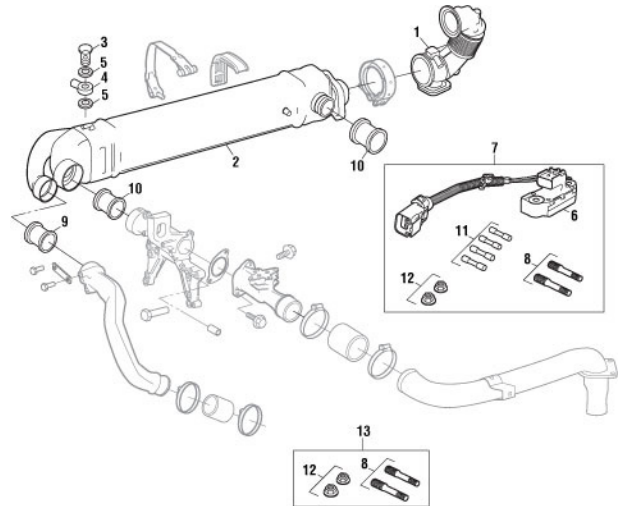
DD15 SECTION – OIL PUMP

KEY	OEM REF	DESCRIPTION
1	DDCA4721806851	PICKUP, Oil Manifold
2	DDCA4721881480	GASKET, Oil (Molded)
3	DDCA4721810212	GEAR, Drive (Pump Lube)
4	DDCA4721870880	TUBE, Pickup Seal
5	DDCA4721803301	PUMP, Oil



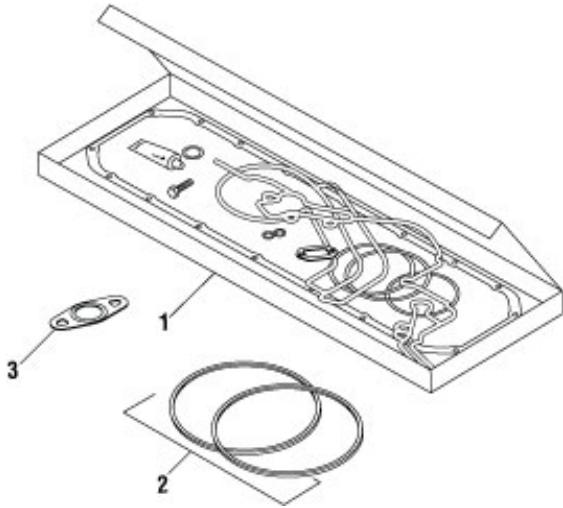
DD15 SECTION – OIL PAN

KEY	OEM REF	DESCRIPTION
1	DDCA4720102313	PAN, Oil
2	DDCA4720140322	GASKET, Oil Pan
3	DDCA4729970071	FITTING
4	DDCN00000001072	O-RING
5	DDCA4720140583	ASSEMBLY, Bolt
6	DDCA4729900155	NUT, Slotted
7	DDCA4720180380	GASKET
8	DDCA4729900551	THREADED, Insert
9	DDCN007603027100	RING, Seal
10	DDCA001908917	PLUG



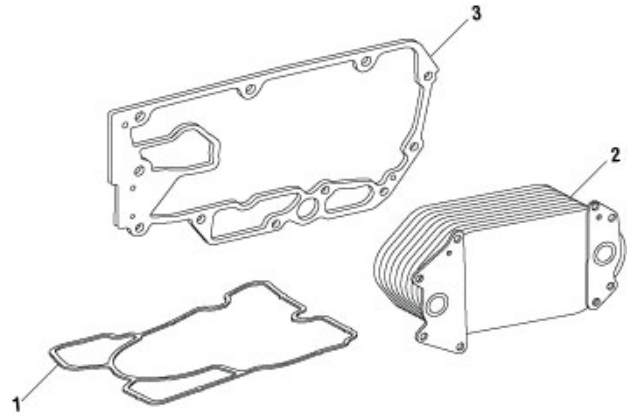
DD15 SECTION – EGR COOLER

KEY	OEM REF	DESCRIPTION
1	DDCA4701402108	VALVE, EGR
2	DDCRA4721400475	COOLER, EGR
3	DDCN000000004898	BOLT, Banjo
4	DDCA0269979182	FITTING, Banjo
5	DDCN000000001069	WASHER
6	DDCA4701530228	SENSOR, Differential Pressure
7	DDC23539639	KIT, Differential Pressure Sensor Includes Pressure Sensor (1)650682 Kit, Stud/Nut (1)640106 Assembly Connector (1)854059
8	DDCA0029905714	STUD, Step
9	DDCA4721400648	TUBE, Coolant
10	DDCA4722000154	TUBE, Coolant
11	DDCA0001500320	ASSEMBLY, Connector
12	DDCN910112006001	NUT, Flanged Hex
13	DDCOSK01466	KIT, Stud/Nut Includes Studs (2)640105 Nuts (2)640037
14	DDCA4721420580	GASKET, Injector Doser (Illustration not available)



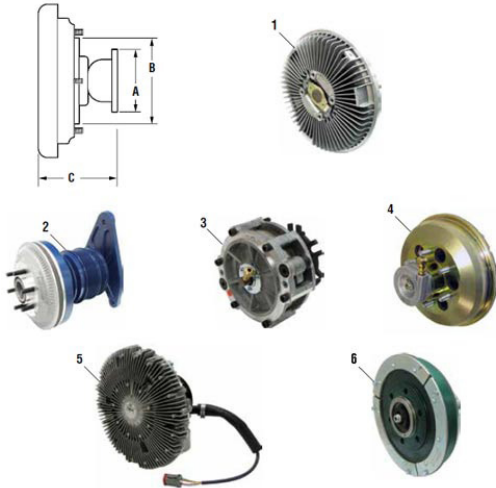
DD15 SECTION – GASKET SET

KEY	OEM REF	DESCRIPTION
1	DDCA4720100205	SET, Front Gasket
2	DDCA4709970045	GASKET, DPF (13.50 Diameter)
2	DDCA6804910480	GASKET, DPF (10.25 Diameter)
3	DDCA5411870080	GASKET, Drain (Metal)



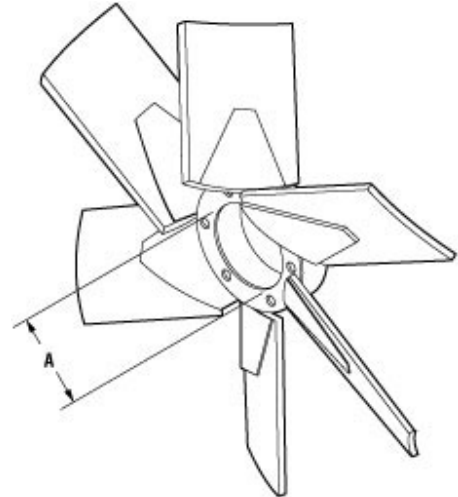
DD15 SECTION – OIL COOLER HOUSING

KEY	OEM REF	DESCRIPTION
1	DDCA4721840080	GASKET, Molded
2	DDCA4711800865	COOLER, Oil (13 plate)
2	DDCA4721800965	COOLER, Oil (15 plate)
3	DDCA4721841980	GASKET, Oil Cooler
3	DDCA4721840380	GASKET, Oil Cooler



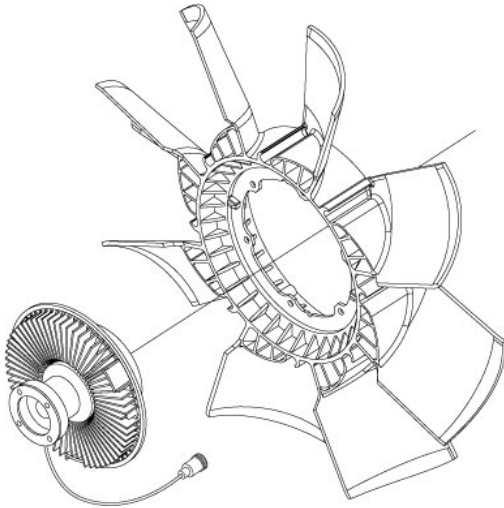
MISCELLANEOUS COMPONENTS SECTION – COOLING SYSTEM COMPONENTS – FAN CLUTCH

KEY	OEM REF	DESCRIPTION
1	MAK38MH322M2	
1	NAV2601973C1	
1	NAV2602193C1	
1	MAK38MH423AM	
1	NAV2001023C1	
1	MAK7536-167118	
1	MAK7536-197879	
1	MAK7536-187242	
1	MAK38MH416	
1	SCH183125	
1	MAK1MH29305P2	
1	HTN9902002	
1	MAK38MH416P2	
1	MAK38MH414M	
1	MAK38MH414M	
1	MAK38MH315A	
1	NAV3522786C4	
1	NAV3540116C4	
1	NAV3584438C3	
2	MAK40MH441M	FAN, Clutch (Reman)
2	MAK40MH441M	FAN, Clutch (Reman)
2	HTN999357	
3	HTN991451	
4	MAK40MH52	FAN, Clutch (Reman)
4	MAK40MH51	
5	MAK38MH425AM	
5	MAK38MH428M	
5	MAK85115602	
5	MAK85115603	
5	MAK85115604	
5	MAK85111561	
5	MAK85111563	
6	MAK4769-10900950001	FAN, Clutch (Reman)
6	NAV2602141C91	



MISCELLANEOUS COMPONENTS SECTION – COOLING SYSTEM COMPONENTS – FAN BLADES

KEY	OEM REF	DESCRIPTION
	MAK2MH414P23	FAN
	MAK2MH414P56	FAN
	MAK2MH414P70	FAN
	MAK2MH48P41	FAN
	CUM3911320	FAN
	MAK2MH414P64	FAN
	MAK2MH48P40	FAN
	MAK2MH460	FAN
	MAK2MH443	FAN
	MAK2MH360M	FAN
	MAK2MH429	FAN
	MAK2MH453	FAN
	MAK2MH365	FAN
	MAK2MH368	FAN
	MAK2MH444	FAN
	NAV1647411C3	FAN
	MAK2MH446	FAN
	MAK2MH445	FAN
	MAK2MH367M	FAN
	MAK85111560	FAN
	NAV1610891C2	FAN
	MAK2MH517M	FAN
	MAK85111558	FAN
	VOL20477428	FAN
	NAV2010884C1	FAN
	VOL3973733	FAN
	NAV2005452C1	FAN
	NAV2022048C1	FAN
	NAV2000729C2	FAN
	NAV3507486C1	FAN
	NAV3507485C1	FAN
	NAV3625639C1	FAN
	MAK2MH29304	FAN
	MAK85111556	FAN



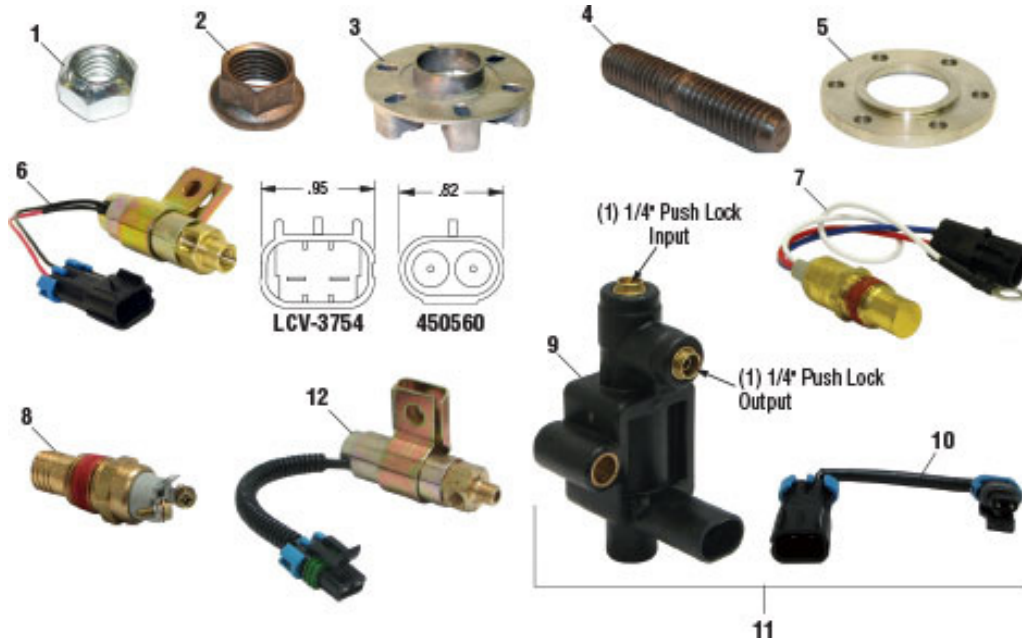
**MISCELLANEOUS COMPONENTS SECTION – COOLING
SYSTEM COMPONENTS – FAN/CLUTCH ASSEMBLY**

KEY	OEM REF	DESCRIPTION
1	MAK43MH59M	ASSEMBLY, Fan/Clutch Includes Fan (1)801124 Fan Clutch (1)801095



**MISCELLANEOUS COMPONENTS SECTION – COOLING
SYSTEM COMPONENTS – FAN HUB ASSEMBLY**

KEY	OEM REF	DESCRIPTION
1	MAK134GB385M	ASSEMBLY, Fan Hub



MISCELLANEOUS COMPONENTS SECTION – COOLING SYSTEM COMPONENTS – FAN CLUTCH COMPONENTS

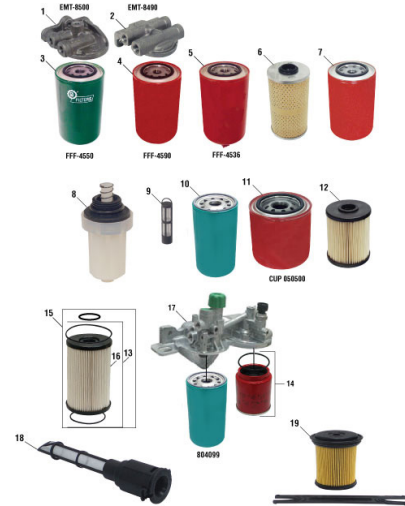
KEY	OEM REF	DESCRIPTION
1	CUM142176	NUT, Locking (1-1/8in-12)
1	MAK8235-NL251	NUT, Locking (5/16in-18)
2	MAK21AX856	NUT (3/8in x 24)(E6)
2	MAK191AM2	NUT (M8-1.25)(E7)
3	N/A	ADAPTER (for use w/ Fiberglass Fan)
4	MAK16AX824	STUD, Fan Clutch Mounting (E6) (3/8in-24NF x 1-7/16in)
4	MAK107AM5019	STUD, Fan Clutch Mounting (E7) (M8 x 1.25 x 40)
5	MAK24MH163	SPACER (5/16in thk) (Used w/Fan EFN-8638 to replace Fan EFN-1650)
6	NAV1689785C91	VALVE, Air Solenoid
6	MAK20QE3373	VALVE, Complete Air Solenoid (for Horton)(12V)
7	NAV1684560C92	SWITCH, Fan
8	NAV1685132C92	SWITCH, Fan (1/2in Thread) (N/C 195 deg)
8	MAK3912-993603	SWITCH, Fan (1/2in thread) (N/C 190 deg)
8	MAK3912-993606	SWITCH, Fan (1/2in thread) (N/C 200 deg)
8	MAK3912-993607	SWITCH, Fan (1/2in thread) (N/C 205 deg)
8	MAK3912-993610	SWITCH, Fan (3/8in thread) (N/O 195 deg)
8	MAK3912-993615	SWITCH, Fan (1/2in thread) (N/O 180 deg)
8	MAK3912-993616	SWITCH, Fan (1/2in thread) (N/O 185 deg)
8	MAK3912-993617	SWITCH, Fan (1/2in thread) (N/O 190 deg)
8	MAK3912-993619	SWITCH, Fan (1/2in thread) (N/C 185 deg)
8	MAK3912-993653	SWITCH, Fan (1/2in thread) (N/O 195 deg)

KEY	OEM REF	DESCRIPTION
8	MAK3912-993654	SWITCH, Fan (1/2in thread) (N/O 200 deg)
8	MAK3912-993655	SWITCH, Fan (1/2in thread) (N/O 205 deg)
9	MAK9538-5030111	VALVE, Air Solenoid (12 VDC) (2 Pin) (N/C Input)
10	MAK20856026	HARNESS, Solenoid (2 Pin)
11	N/A	KIT, Air Solenoid Includes Valves (1)845050 Harness (1)845051
12	FTLA06-26631-000	VALVE, Air Solenoid (12 VDC) (N/O) (2)1/8in NPTF Female (1)1/8in NPTF Male



MISCELLANEOUS COMPONENTS SECTION – COOLING SYSTEM COMPONENTS – FAN CLUTCH REPAIR KITS

KEY	OEM REF	DESCRIPTION
1	HTN995033	KIT, Fan Clutch Repair
2	HTN994307	KIT, Fan Clutch Repair (Fits 7.5in S Series)
3	HTN994206	KIT, Fan Clutch Repair
4	HTN994305	KIT, Fan Clutch Repair (Fits 9.5in Fan Clutch)
5	HTN994205	KIT, Fan Clutch Repair (Fits any S & ST Series)
6	HTN994900	KIT, Fan Clutch Repair (Gold Top Post)
7	HTN9908400	KIT, Fan Clutch Repair
7	NAV1681030C91	KIT, Fan Clutch Repair (For 1593 Fan Clutch)
8	HTN9908300	KIT, Fan Clutch
9	HTN994902	KIT, Fan Clutch
10	HTN994346	KIT, Fan Clutch
11	HTN994317	KIT, Fan Clutch Minor Repair (For HT650 Fan Clutch)
12	HTN9908402	KIT, Rear Air Seal
13	HTN995568	KIT, Super Conversion Repair Photo not available at this time.
14	HTN995575	KIT, Super Conversion Repair Photo not available at this time.



MISCELLANEOUS COMPONENTS SECTION – FILTERS – FUEL FILTERS

KEY	OEM REF	DESCRIPTION
1	MAK32GB160P2	BRACKET, Secondary Fuel Filter
1	MAK32GB258P2	BRACKET, Secondary Fuel Filter
2	MAK32GB39P2	BRACKET, Primary Fuel Filter (Used w/ FFF-5531 Filter)
2	MAK32GB163	BRACKET, Primary Fuel Filter
3	CUM3903640	FILTER, Secondary Fuel
3	NAV672603C3	FILTER, Secondary Fuel (Red)
3	MAK483GB218B	FILTER, Secondary Fuel (Green)
3	MAK483GB431	FILTER, Secondary Fuel (Green)
3	MAK483GB476M	FILTER, Secondary Fuel (Green)
3	MAK483GB471M	FILTER, Secondary Fuel (Green)
4	NAV625627C1	FILTER, Primary Fuel (Red)
4	MAK483GB219A	FILTER, Primary Fuel (Red)
5	CUM3331096	FILTER, Fuel/Water Separator
4	MAK483GB470AM	FILTER, Primary Fuel (Red)
5	CUM3903410	FILTER, Fuel/Water Separator
5	CUM3329289	FILTER, Fuel/Water Separator
5	CUM3308638	FILTER, Fuel/Water Separator
5	MAK483GB465	FILTER, Primary Fuel (w/ Water Separator Drain)
6	MAK301SD19B	FILTER, Fuel
7	NAV1822588C1	FILTER, Final Fuel
8	MAK483GB372M	FILTER, Fuel
9	NAV1825181C91	FILTER, Prescreen Fuel
10	CUM4920586	FILTER, Fuel (Spin-on)
10	CAT1R0750	FILTER, Fuel (Spin-on)
10	DDC23518481	FILTER, Fuel, Primary
10	DDC23518482	FILTER, Fuel, Secondary
10	MAK483GB477M	FILTER, Secondary Fuel
10	MAK20972295	FILTER, Secondary Fuel
11	CUM3315844	FILTER, Fuel
11	CUM3315847	FILTER, Fuel
12	CUM3945213	FILTER, Fuel (ISB)
13	NAV1842638C92	FILTER, Fuel
13	NAV1873917C91	FILTER, Fuel Includes Filter (1)450519 O-Rings (1)421236 (1)421235
14	MAK21380521	FILTER, Primary Fuel
15	NAV1878042C92	KIT, Fuel Filter Includes Filter Kit (1)450527 O-Ring (1)421235
16	NAV1874438C1	FILTER, Fuel (used in 450527)
17	MAK21023285	HOUSING, Fuel Filter (MP 7, MP 8)
18	MAK82269261	FILTER, DEF Filter
19	MAK21516231	FILTER, DEF Filter



MISCELLANEOUS COMPONENTS SECTION – FILTERS – OIL FILTERS

KEY	OEM REF	DESCRIPTION
1	CUM3401544	FILTER, Oil
1	CUM4367100	FILTER, Oil
1	NAV1811953C1	FILTER, Oil
1	NAV1833121C1	FILTER, Oil
1	MAK485GB3191C	FILTER, Oil (Spin-On)
2	MAK57GC2134	FILTER, Oil (Centrifugal Type)
2	MAK57GC2187	FILTER, Oil (Centrifugal Type)
3	MAK485GB3236	FILTER (Spin-On)
3	MAK20843764	FILTER, Oil (Bypass)
4	MAK57GC2231	FILTER, Oil (.492in ID Bushing) (Used in EMT-8528)
4	MAK57GC2206	FILTER, Oil Kit (.631in ID Bushing)
5	NAV1842639C92	FILTER, Oil
6	CUM3889310	FILTER, Oil
6	CUM3318853	FILTER, Oil
6	CUM3304232	FILTER, Oil
6	CUM256838	FILTER, Oil
6	CAT1R0716	FILTER, Oil
6	CAT1R0739	FILTER, Oil
6	DDC23527033	FILTER, Oil
6	DDC23518671	FILTER, Oil
7	CUM3932217	FILTER, Oil (ISB)
8	MAK485GB4365M	ASSEMBLY, Oil Filter (ASET)
9	MAK485GB3219D	KIT, Filter (E6/E7) Includes Filter (1)FOF-4571 Canister & Gasket



MISCELLANEOUS COMPONENTS SECTION – FILTERS – OIL FILTER ELEMENT

KEY	OEM REF	DESCRIPTION
1	MAK236GB311A	FILTER, Oil Element
2	MAK343SB87	O-RING, Oil Filter
3	MAK5081-3654	O-RING, Oil Filter



**MISCELLANEOUS COMPONENTS SECTION – FILTERS –
AIR FILTERS**

KEY	OEM REF	DESCRIPTION
1	MAK57MD31A	FILTER, Air (Engine)
1	MAK57MD21A	FILTER, Air (Engine)
1	MAK57MD26	FILTER, Air (Engine)
1	MAK57MD33	FILTER,Air (Engine)
1	MAK57MD29301	FILTER, Air (Engine)
1	MAK57MD29305	FILTER, Air (Engine)
1	MAK57MD32	FILTER, Air (Engine)
1	MAK57MD25P2	FILTER, Air (Engine)
2	MAK57MD27	FILTER, Air (Engine)
3	MAK57MD42M	FILTER, Air (Engine) (CH)
4	MAK57MD320M	FILTER, Air (Engine)
5	MAK57MD318	FILTER, Air (Engine)
5	MAK57MD46M	FILTER, Air (Engine)
6	MAK279GB43M	FILTER, Air (Engine) (ASET)
7	MAK57MD24	FILTER, Air (Engine)

**MISCELLANEOUS COMPONENTS SECTION – FILTERS –
WATER FILTERS AND BRACKET**

KEY	OEM REF	DESCRIPTION
1	CUM3318201	FILTER, Water/Conditioner (Spin-on)
1	CUM3315115	FILTER, Water/Conditioner (Spin-On)
1	CUM3316053	FILTER, Water/Conditioner (Spin-On)
1	CUM3318318	FILTER, Water/Conditioner (Spin-On)
1	MAK25MF435A	FILTER, Water (Spin-On)
2	CUM3315116	FILTER, Water (Spin-On)
2	DDC23516489	FILTER, Water (Spin-On)
2	MAK25MF436	FILTER, Water (Spin-On)
3	MAK32GB354P2	BRACKET, Coolant
4	MAK32GB415	BRACKET, Coolant (Use w/ FWF-4521 Filter)
5	MAK387GC32	SCREEN, Coolant

MISCELLANEOUS COMPONENTS SECTION –
BELT TENSIONERS



KEY	OEM REF	DESCRIPTION
1	CUM4987964	TENSIONER, Belt
1	CUM3947574	TENSIONER, Belt
1	CUM3682946	TENSIONER, Belt
1	CUM3400885	TENSIONER, Belt
1	CUM4920105	TENSIONER, Belt
1	CUM4937433	TENSIONER, Belt
1	MAK21422765	TENSIONER, Belt



KEY	OEM REF	DESCRIPTION
2	CUM3935819	TENSIONER, Belt
2	CUM3973822	TENSIONER, Belt
2	CUM4059202	TENSIONER, Belt
2	CUM3936197	TENSIONER, Belt
2	CUM3936201	TENSIONER, Belt
2	CUM3937556	TENSIONER, Belt
2	CUM2891940	TENSIONER, Belt
2	CUM4059203	TENSIONER, Belt
2	CAT1900649	TENSIONER, Belt
2	CAT1352151	TENSIONER, Belt
2	NAV1830033C1	TENSIONER, Belt
2	NAV1687801C91	TENSIONER, Belt
2	NAV1873217C2	TENSIONER, Belt
2	DDC23527565	TENSIONER, Belt
2	FTL01-27846-000	TENSIONER, Belt
2	MAK87GB41A	TENSIONER, Belt



KEY	OEM REF	DESCRIPTION
3	CUM5333480	TENSIONER, Belt (Serpentine Belt)
3	CUM3937555	TENSIONER, Belt
3	CUM3936213	TENSIONER, Belt
3	MAK87GB46A	TENSIONER, Belt



KEY	OEM REF	DESCRIPTION
4	CUM4059201	TENSIONER, Belt



KEY	OEM REF	DESCRIPTION
5	MAK21454379	TENSIONER, Belt



KEY	OEM REF	DESCRIPTION
6	MAK20935523	TENSIONER, Belt



KEY	OEM REF	DESCRIPTION
7	VOL21479276	TENSIONER, Belt
7	MAK20860873	TENSIONER, Belt



**MISCELLANEOUS COMPONENTS SECTION –
BELT TENSIONER KITS**

KEY	OEM REF	DESCRIPTION
1	MAK21568411	KIT, Belt Tensioner (MP 7) (w/ A/C) Includes Tensioner (1)880878 Belt (1)880866 Screws (2)840001
1	MAK21568412	KIT, Belt Tensioner (MP 7) (w/o A/C) Includes Tensioner (1)880878 Belt (1)880867 Screws (2)840001
1	MAK21568414	KIT, Belt Tensioner (MP 8) Includes Tensioner (1)880878 Belt (1)880868 Screws (2)840001

**MISCELLANEOUS COMPONENTS SECTION –
BELT TENSIONERS – IDLER PULLEY**



KEY	OEM REF	DESCRIPTION
	MAK20582558	PULLEY, Idler (Serpentine Belt) Application: Mack MP 8



KEY	OEM REF	DESCRIPTION
	CAT1979642	PULLEY, Idler Application: Caterpillar C7, C9
	CUM4026886	PULLEY, Idler Application: Cummins ISX
	MAK786GB41BM	PULLEY, Idler Application: Mack E7



KEY	OEM REF	DESCRIPTION
	MAK21561640	PULLEY, Idler (Serpentine Belt) Application: Mack MP 8, Volvo D13



KEY	OEM REF	DESCRIPTION
	MAK21551903	ROLLER, Idler Application: Mack MP 8, Volvo D13



MISCELLANEOUS COMPONENTS SECTION – BELTS

KEY	OEM REF	DESCRIPTION
1	MAK2428-425761	BELT, V Notched (1 Piece)
1	MAK88GB439P376	BELT, V Notched (1 Piece)
1	MAK88GB439P391	BELT, V Notched (1 Piece)
1	CUM178657	BELT, V Notched (1 Piece)
1	MAK88GB439P411	BELT, V Notched (1 Piece)
1	MAK88GB439P421	BELT, V Notched (1 Piece)
1	MAK88GB439P431	BELT, V Notched (1 Piece)
1	MAK88GB439P436	BELT, V Air Conditioner (1 Piece)
1	CUM3058383	BELT, V Notched (1 Piece)
1	MAK88GB439P457	BELT, V Notched (1 Piece)
1	MAK88GB439P462	BELT, V Notched (1 Piece)
1	CAT9L6653	BELT, V Notched (1 Piece)
1	MAK2428-425762	BELT, V Notched (1 Piece)
1	CUM178679	BELT, V Notched (1 Piece)
1	MAK88GB439P491	BELT, V Notched (1 Piece)
1	CUM134809	BELT, V Notched (1 Piece)
1	MAK88GB439P506	BELT, V Notched (1 Piece)
1	MAK88GB439P516	BELT, V Notched (1 Piece)
1	MAK88GB439P532	BELT, V Notched (1 Piece)
1	MAK88GB439P552	BELT, V Notched (1 Piece)
1	CAT4N8216	BELT, V Notched (1 Piece)
1	CAT9L6639	BELT, V Notched (1 Piece)
1	CAT9L6641	BELT, V Notched (1 Piece)
1	MAK88GB439P602	BELT, V Notched (1 Piece)
1	CAT9L6643	BELT, V Notched (1 Piece)
1	CAT4N2531	BELT, V Notched (1 Piece)
1	MAK88GB439P622	BELT, V Notched (1 Piece)
1	CAT9L6645	BELT, V Notched (1 Piece)
1	CAT6N6657	BELT, V Notched (1 Piece)
1	MAK88GB439P642	BELT, V Notched (1 Piece)
1	CAT4N8218	BELT, V Notched (1 Piece)
1	MAK88GB439P652	BELT, V Notched (1 Piece)
1	MAK88GB354P30	BELT, V Power Steering (1 Piece)
1	CAT7S9859	BELT, V Notched (1 Piece)

KEY	OEM REF	DESCRIPTION
1	MAK88GB439P662	BELT, V Notched (1 Piece)
1	CAT9L6647	BELT, V Notched (1 Piece)
1	MAK88GB439P672	BELT, V Notched (1 Piece)
1	MAK88GB196	BELT, V Notched (1 Piece)
1	CAT9L6649	BELT, V Notched (1 Piece)
1	CAT6N6654	BELT, V Notched (1 Piece)
1	MAK88GB439P722	BELT, V Notched (1 Piece)
1	CAT4N8277	BELT, V Notched (1 Piece)
1	MAK88GB439P732	BELT, V Notched (1 Piece)
1	CAT6N6650	BELT, V Notched (1 Piece)
2	CAT9L6654	SET, V-BELT (2 Piece)
2	CAT4N8217	SET, V-BELT (2 Piece)
2	CAT9L6640	SET, V-BELT (2 Piece)
2	CAT9L6642	SET, V-BELT (2 Piece)
2	CAT9L6644	SET, V-BELT (2 Piece)
2	CAT4N2532	SET, V-BELT (2 Piece)
2	CAT9L6646	SET, V-BELT (2 Piece)
2	CAT9L6724	SET, V-BELT (2 Piece)
2	CAT7S9860	SET, V-BELT (2 Piece)
2	CAT9L6648	SET, V-BELT (2 Piece)
2	MAK88GB437P2	SET, V-BELT (2 Piece)
2	MAK88GB437	SET, V-BELT (2 Piece)
2	MAK88GB354P12	SET, V-BELT (2 Piece)
2	CAT9L6650	SET, V-BELT (2 Piece)
2	CAT9L6725	SET, V-BELT (2 Piece)
3	CAT6N6798	SET, V-BELT (3 Piece)
3	CAT6N6656	SET, V-BELT (3 Piece)
3	CAT6N6652	SET, V-BELT (3 Piece)
3	MAK88GB354P52	SET, V-BELT (3 Piece)
3	MAK88GB354P50	SET, V-BELT (3 Piece)
3	CAT6N6655	SET, V-BELT (3 Piece)
3	CAT4N8278	SET, V-BELT (3 Piece)
3	CAT6N6651	SET, V-BELT (3 Piece)

Continued



MISCELLANEOUS COMPONENTS SECTION – BELTS

Continued

KEY	OEM REF	DESCRIPTION
4	CAT6N6653	SET, V-Belt (4 Piece)
5	MAK88GB445P720	BELT, Double V (1 Piece)
5	MAK88GB445P730	BELT, Double V (1 Piece)
6	CUM3037425	BELT, Serpentine (1 Piece)
6	CUM206996	BELT, Serpentine (1 Piece)
6	CUM3095880	BELT, Serpentine (1 Piece)
6	CUM3076492	BELT, Serpentine (1 Piece)
6	CUM3063817	BELT, Serpentine (1 Piece)
6	CUM217638	BELT, Serpentine (1 Piece)
6	CUM3034348	BELT, Serpentine (1 Piece)
6	FTL01-24894-004	BELT, Serpentine (1 Piece)
6	CUM3911587	BELT, Serpentine (1 Piece)
6	MAK88GB458P555	BELT, Serpentine (1 Piece)
6	CUM3911560	BELT, Serpentine (1 Piece)
6	MAK88GB458P565	BELT, Serpentine (1 Piece)
6	CUM3911557	BELT, Serpentine (1 Piece)
6	CUM3911568	BELT, Serpentine (1 Piece)
6	MAK88GB458P579	BELT, Serpentine (1 Piece)
6	MAK88GB459P585	BELT, Serpentine (1 Piece)
6	MAK21556636	BELT, Serpentine (1 Piece)
6	CUM3911558	BELT, Serpentine (1 Piece)
6	MAK88GB449P605	BELT, Serpentine (1 Piece)
6	CUM3911563	BELT, Serpentine (1 Piece)
6	CUM3911573	BELT, Serpentine (1 Piece)
6	MAK88GB447P615	BELT, Serpentine (1 Piece)
6	CUM3911572	BELT, Serpentine (1 Piece)
6	MAK21460409	BELT, Serpentine (1 Piece)
6	MAK88GB457P630	BELT, Serpentine (1 Piece)
6	MAK21556637	BELT, Serpentine (1 Piece)
6	CUM3034946	BELT, Serpentine (1 Piece)
6	CUM3911566	BELT, Serpentine (1 Piece)
6	MAK20582557	BELT, Serpentine (1 Piece)
6	MAK88GB449P655	BELT, Serpentine (1 Piece)
6	MAK88GB447P666	BELT, Serpentine (1 Piece)

KEY	OEM REF	DESCRIPTION
6	MAK88GB459P670	BELT, Serpentine (1 Piece)
6	CUM3911567	BELT, Serpentine (1 Piece)
6	MAK88GB458P678	BELT, Serpentine (1 Piece)
6	MAK88GB458P687	BELT, Serpentine (1 Piece)
6	CUM3911582	BELT, Serpentine (1 Piece)
6	CUM3911583	BELT, Serpentine (1 Piece)
6	NAV1841559C1	BELT, Serpentine (1 Piece)
6	MAK88GB447P728	BELT, Serpentine (1 Piece)
6	NAV1819391C1	BELT, Serpentine (1 Piece)
6	MAK88GB447P732	BELT, Serpentine (1 Piece)
6	CUM3002203	BELT, Serpentine (1 Piece)
6	MAK88GB459P735	BELT, Serpentine (1 Piece)
6	MAK88GB459P738	BELT, Serpentine (1 Piece)
6	MAK88GB459P746	BELT, Serpentine (1 Piece)
6	CUM3289659	BELT, Serpentine (1 Piece)
6	MAK88GB472P787	BELT, Serpentine (1 Piece)
6	MAK88GB459P795	BELT, Serpentine (1 Piece)
6	FTL01-29866-094	BELT, Serpentine (1 Piece)
6	MAK88GB459P831	BELT, Serpentine (1 Piece)
6	MAK88GB459P847	BELT, Serpentine (1 Piece)
6	CUM3103836	BELT, Serpentine (1 Piece)
6	FTL01-23415-053	BELT, Serpentine (1 Piece)



**MISCELLANEOUS COMPONENTS SECTION – SENSORS –
SENSOR CONNECTORS**

KEY	OEM REF	DESCRIPTION
1	CUM3104345	HARNESS, Sensor
2	N/A	HARNESS, Sensor
3	CAT2495294	HARNESS, Wire
4	DDC23513558	HARNESS, Engine Wiring
5	MAK41MR4401BM	HARNESS, Engine Wiring
6	MAK41MR3880M15	HARNESS, Engine Wiring
7	MAK20838672	HARNESS, Wiring (2 Pin / 2 Wire)
8	N/A	ASSEMBLY, Connector (2 Pin / 2 Wire)
9	N/A	ASSEMBLY, Connector (3 Pin / 3 Wire)
10	N/A	ASSEMBLY, Connector (2 Pin / 2 Wire)
11	N/A	ASSEMBLY, Connector (3 Pin / 3 Wire)
12	CUM3056356	ASSEMBLY, Connector (3 Pin / 3 Wire)
13	N/A	ASSEMBLY, Connector (3 Pin / 3 Wire)
14	N/A	ASSEMBLY, Connector (2 Pin / 2 Wire)
15	N/A	ASSEMBLY, Connector (3 Pin / 3 Wire)
16	N/A	ASSEMBLY, Connector (2 Pin / 2 Wire)
17	DDCA0001500320	ASSEMBLY, Connector

**MISCELLANEOUS COMPONENTS SECTION – SENSORS –
TEMPERATURE SENSORS**



KEY	OEM REF	DESCRIPTION
	DDC23515251	SENSOR, Temperature
	N/A	ASSEMBLY, Connector (2 Pin 2 Wire)



KEY	OEM REF	DESCRIPTION
	DDC23514708	SENSOR, Temperature
	N/A	ASSEMBLY, Connector (2 Pin 2 Wire)



KEY	OEM REF	DESCRIPTION
	DDC23518092	SENSOR, Temperature
	N/A	ASSEMBLY, Connector (2 Pin 2 Wire)



KEY	OEM REF	DESCRIPTION
	DDC23527830	SENSOR, Coolant/Oil Temperature

MISCELLANEOUS COMPONENTS SECTION – SENSORS –
 TEMPERATURE SENSORS



KEY OEM REF DESCRIPTION
 DDC23527831 SENSOR, Temperature



KEY OEM REF DESCRIPTION
 DDC23515250 SENSOR, Temperature



KEY OEM REF DESCRIPTION
 DDC23530572 SENSOR, Air Temperature/Humidity



KEY OEM REF DESCRIPTION
 DDC23527813 SENSOR, Temperature Intake



KEY OEM REF DESCRIPTION
 DDCA6805401417 SENSOR, Temperature



KEY OEM REF DESCRIPTION
 DDCA6805401817 SENSOR, Temperature

MISCELLANEOUS COMPONENTS SECTION – SENSORS –
SPEED SENSORS



KEY	OEM REF	DESCRIPTION
	DDC23503011	SENSOR, Electronic Tachometer
	N/A	ASSEMBLY, Connector



KEY	OEM REF	DESCRIPTION
	DDC23531531	SENSOR, Speed

MISCELLANEOUS COMPONENTS SECTION – SENSORS –
PRESSURE SENSORS



KEY	OEM REF	DESCRIPTION
	DDC23522322	SENSOR, Air Pressure
	N/A	ASSEMBLY, Connector (3 Pin 3 Wire)



KEY	OEM REF	DESCRIPTION
	DDC23532797	SENSOR, Oil Pressure
	N/A	ASSEMBLY, Connector (3 Pin 3 Wire)



KEY	OEM REF	DESCRIPTION
	DDC23527829	SENSOR, Pressure Boost
	N/A	ASSEMBLY, Connector (3 Pin 3 Wire w/ Lock in tab)

**MISCELLANEOUS COMPONENTS SECTION – SENSORS –
 PRESSURE SENSORS**



KEY	OEM REF	DESCRIPTION
	DDC23539639	KIT, Pressure Sensor Includes Sensor (1)650682 Stud/Nut Kit (1)640106 Assembly Connectors (4)854059



KEY	OEM REF	DESCRIPTION
	DDC23527673 N/A	SENSOR, PRESS ASSEMBLY, Connector (3 Pin 3 Wire w/ Lock in tab)



KEY	OEM REF	DESCRIPTION
	DDC23527828 N/A	SENSOR, Oil Pressure ASSEMBLY, Connector (3 Pin 3 Wire w/ Lock in tab)



**MISCELLANEOUS COMPONENTS SECTION – SENSORS –
 MAP SENSORS**



**MISCELLANEOUS COMPONENTS SECTION – SENSORS –
 LEVEL SENSORS**



MISCELLANEOUS COMPONENTS SECTION – SENSORS –
 EGR SENSORS



MISCELLANEOUS COMPONENTS SECTION – SENSORS –
 POSITION SENSORS

MISCELLANEOUS COMPONENTS SECTION – SENSORS –
 AMBIENT TEMPERATURE/HUMIDITY SENSORS



KEY	OEM REF	DESCRIPTION
	DDC23530572	SENSOR, Air Temperature/Humidity



KEY	OEM REF	DESCRIPTION
	DDC23527813	SENSOR, Temperature Intake