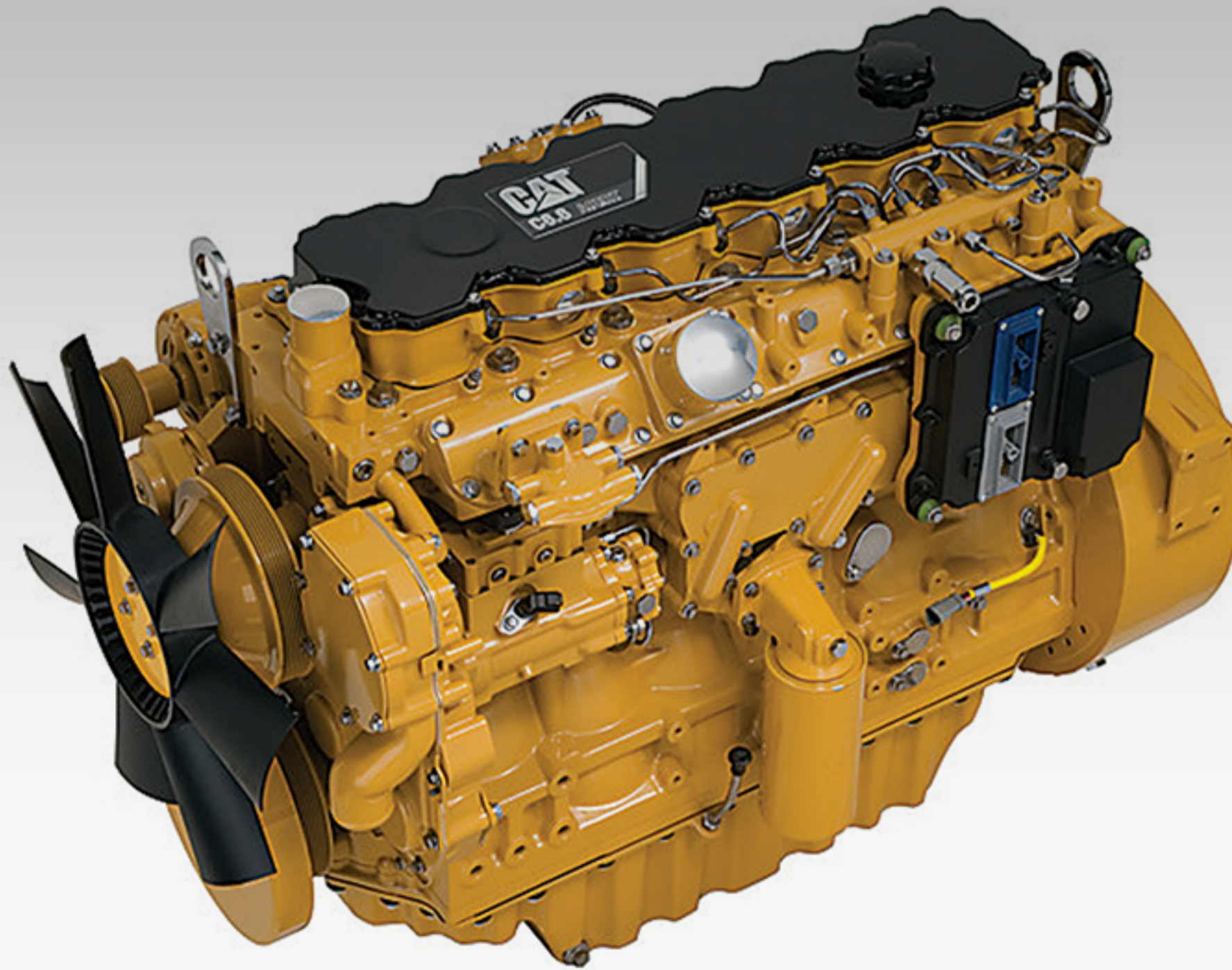




EARTHQUIP

AFFORDABLE HEAVY EQUIPMENT SOLUTIONS

CATERPILLAR ENGINE PARTS 2018



NEW REPLACEMENT PARTS FOR HEAVY EQUIPMENT

3100 Series / C7 Series Section

Cylinder Block **1**
 Crankshaft **1**
 Flywheel Housing **2**
 Pistons, Rod Bearings and Ring Sets
 3116 – One Piece Piston **3**
 3116 – Two Piece Piston **3**
 3126B/E and C7 – One Piece Piston **4**
 3126 – Two Piece Piston **5**
 Cylinder Head
 Cylinder Head 3116/3126 **5**
 Cylinder Head 3126B / C7 **6**
 Water Pump 3116 / 3126 / 3126B / C7 **7**
 Oil Cooler **8**
 Oil Pump **8**
 Fuel Injection Components **9**
 Fuel Pump **9**
 Turbocharger **10**
 Engine Gasket Kits **10**
 Miscellaneous Components **11**
 Miscellaneous Gaskets **11**

3200 Series Section

Crankshaft - 3208 **12**
 Miscellaneous Components **12**

3300 Series Section

Cylinder Block **13**
 Front Cover **13**
 Crankshaft
 Crankshaft 3304 **14**
 Crankshaft 3306 **14**
 Pistons, Rod Bearing and Ring Sets **15**
 Camshaft **17**
 Water Pump **17**
 Cylinder Head **18**
 Oil Cooler **19**
 Oil Pump **19**
 Primer Pump **20**
 Fuel Components
 Fuel Lines **20**
 Injection Components **21**
 Turbocharger **21**
 Miscellaneous Components **22**
 Engine Gasket Kits **22**

3176, C10, C11, C12 and C13 Series Section

Cylinder Block **23**
 Front Cover **24**
 Crankshaft **25**
 Flywheel Housing **26**
 Pistons, Rod Bearings and Ring Set
 C11 and C13 One Piece Piston **26**
 C10 and C12 Two Piece Piston **27**
 Cylinder Kit **28**
 Camshaft **28**
 Cylinder Head **29**
 Water Pump **30**
 Oil Cooler
 C10 and C12 **31**
 C11 and C13 **31**
 C12 Section – Oil Pump **32**
 Fuel Components
 Fuel Supply Pump **32**
 Fuel Injector Components **33**
 Turbocharger **33**
 Engine Gasket Kits **34**
 Miscellaneous Components **35**

3400 Series Section

Cylinder Block **35**
 Front Housing **36**
 Crankshaft 3406 **37**
 Flywheel Housing and Assembly **38**
 Pistons, Rod Bearing and Ring Sets
 Pistons (Natural Gas) 3406/3408/3412 **38**
 3406C **39**
 3406 - One Piece Piston **39**
 Cylinder Kits **41**
 Cylinder Head **42**

Camshaft - 3406 **43**
 Water Pump **43**
 Oil Cooler **44**
 Oil Pump **45**
 Turbocharger **46**
 Fuel Injection Components
 Fuel Injection Lines **46**
 Fuel Injection Components **47**
 Engine Gasket Kits **47**
 Miscellaneous Components **48**

3406 E, C15, C16, C18 Series Section

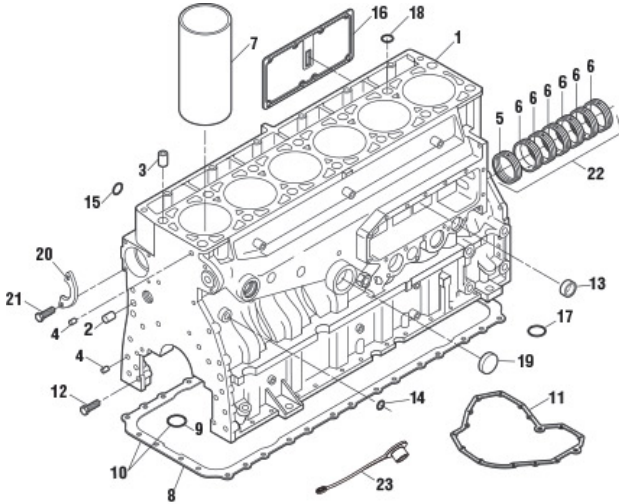
Cylinder Block **48**
 Front Housing **49**
 Crankshaft **50**
 Oil Pan
 3406E **51**
 C15 **51**
 Flywheel Housing and Assembly **52**
 Pistons, Rod Bearing and Ring Sets
 3406E **52**
 C15 - One Piece Monotherm Piston **53**
 C15/C16 - Two Piece **54**
 Cylinder Kits **55**
 Camshaft **56**
 Cylinder Head **56**
 Cylinder Head **57**
 Exhaust Manifold **57**
 Water Pump **58**
 Oil Cooler **59**
 Oil Pump **60**
 Turbocharger **60**
 Fuel Injection Components
 Fuel Supply Pump **61**
 Fuel Injection Components **61**
 Engine Gasket Kits **62**
 Miscellaneous Components **62**

3500 Series Section

Cylinder Block **63**
 Crankshaft and Bearings **63**
 Pistons, Rod Bearings and Ring Sets **64**
 Cylinder Head Components **64**

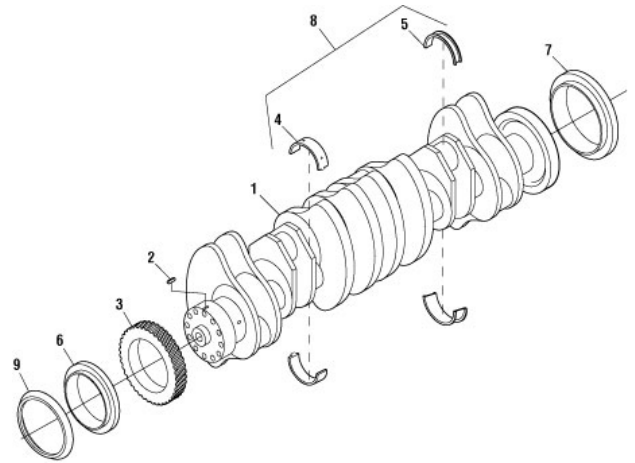
Miscellaneous Components Section

Engine O-Ring Kits **65**
 Sensors
 Sensor Connectors **65**
 Pressure Sensors **66**
 Boost Pressure **67**
 Position Sensors **68**
 Ambient Pressure Sensors **68**
 Speed Sensors **69**
 Cooling System Components
 Fan Clutch **69**
 Fan Blades **70**
 Fan/Clutch Assembly **70**
 Fan Hub Assembly **71**
 Fan Clutch Components **71**
 Fan Clutch Repair Kits **72**
 Filters
 Fuel Filters and Brackets **72**
 Oil Filters **73**
 Oil Filter Element **73**
 Air Filters **74**
 Water Filters and Bracket **74**
 Belt Tensioners **75**
 Belt Tensioner Kits **76**
 Idler Pulley **76**
 Belts **77**



3100 SERIES / C7 SERIES SECTION – CYLINDER BLOCK

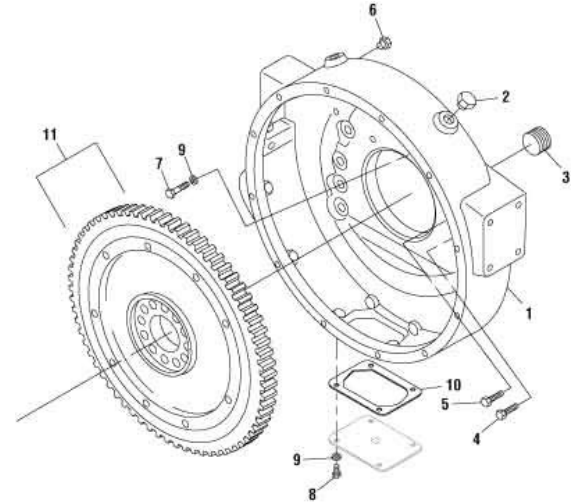
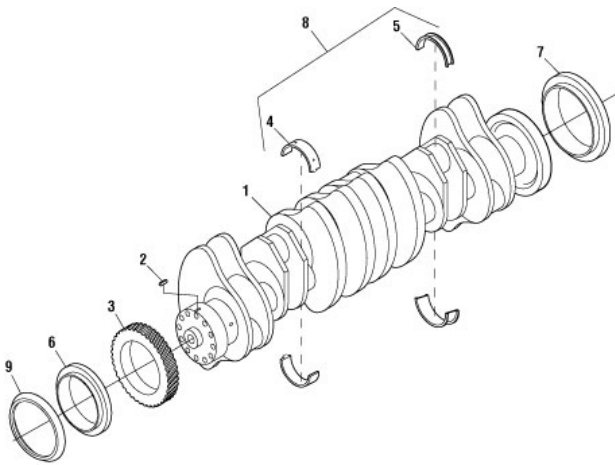
KEY	OEM REF	DESCRIPTION
1	CAT1291164	BLOCK
2	CAT7N5683	DOWEL
3	CAT1W8407	DOWEL
4	CAT6V3538	DOWEL
5	CAT2165586	BEARING, Cam (#1)
6	CAT2W7213	BEARING, Cam (#2-7)
7	CAT7C6208	SLEEVE, Repair (3116)
7	CAT1077604	SLEEVE, Repair (3126, C7)
7	N/A	SLEEVE, REPAIR (+.080) (3126, C7)
8	CAT2613816	GASKET, Oil Pan (3116, 3126, C7)
8	CAT1662905	GASKET, Oil Pan (3126B, C7)
9	CAT0336042	O-RING
9	CAT3D2824	O-RING
10	N/A	KIT, Oil Pan Gasket (3116, 3126, C7) Includes Gasket (1)331216 O-Rings (2)321231 (1)321229
10	N/A	KIT, Gasket (3126B) Includes Gasket (1)331337 O-Ring (1)321229
11	CAT1393526	GASKET, Front Cover (3126B)
11	CAT7W6552	GASKET, Front Cover (3116, 3126)
11	CAT1661781	GASKET, Front Cover (C7)
12	CUM3900677	SCREW (M8 x 1.25 x 30mm)
13	MAK79AX60Z	PLUG
14	CAT2M9780	O-RING, Seal
15	CAT4F9029	O-RING, Seal
16	CAT4Y9652	GASKET, Side Cover
17	CAT3P1156	O-RING (to Oil Pump)
18	CAT5P5598	O-RING (3176)
19	CAT3H5552	PLUG
20	CAT1077694	BEARING, Cam Thrust (C7)
21	CAT6V3940	BOLT(M8 x 1.25 x 25mm)
22	N/A	KIT, Bearing Cam Includes Cam Bearings (1)351548 (6)351549
23	CAT8C3445	CAP, Oil Protection Test Port



3100 SERIES / C7 SERIES SECTION – CRANKSHAFT

KEY	OEM REF	DESCRIPTION
1	CAT1051725	CRANKSHAFT
2	CAT1B8705	KEY
3	CAT2W8147	GEAR
4	CAT1011530	BEARING, Main (STD) (#1,4,7 - 3116)
4	CAT7C6971	BEARING, Main (.25mm) (#1,4,7 - 3116)
4	CAT1450165	BEARING, Main (.50mm) (#1,4,7 - 3116)
4	CAT7C6973	BEARING, Main (.75mm) (#1,4,7 - 3116)
4	CAT1450169	BEARING, Main (STD-ID/.5mm-OD)(#1,4,7 - 3116)
4	CAT1450171	BEARING, Main (.5mm-ID/.5mm-OD)(#1,4,7 - 3116)
4	CAT1077708	BEARING, Main (STD) (#2,3,5 - 3116)(#1-5,7 - 3126)
4	CAT1450162	BEARING, Main (.25mm) (#2,3,5 - 3116)(#1-5,7 - 3126)
4	CAT1450164	BEARING, Main (.50mm) (#2,3,5 - 3116)(#1-5,7 - 3126)
4	CAT7C6963	BEARING, Main (.75mm) (#2,3,5 - 3116)(#1-5,7 - 3126)
4	CAT1450168	BEARING, Main (STD-ID/.5mm - OD) (#2,3,5 - 3116)(#1-5,7 - 3126)
4	CAT1450170	BEARING, Main (.5mm-ID/.5mm - OD) (#2,3,5 - 3116)(#1-5,7 - 3126)
5	CAT2124893	BEARING, Main Thrust (STD)(#6)
5	CAT2295153	BEARING, Main Thrust (.25mm)(#6)
5	CAT2295154	BEARING, Main Thrust (.50mm)(#6)
5	CAT7C6968	BEARING, Main Thrust (.75mm)(#6)
5	CAT2295157	BEARING, Main Thrust (STD-ID/.5mm-OD)(#6)
5	CAT2295156	BEARING, Main Thrust (.5mm-ID/.5mm-OD)(#6)
6	CAT1192921	SEAL, Front
7	CAT2223909	KIT, Rear Seal
7	CAT1154120	SEAL, Crankshaft (3116)

Continued



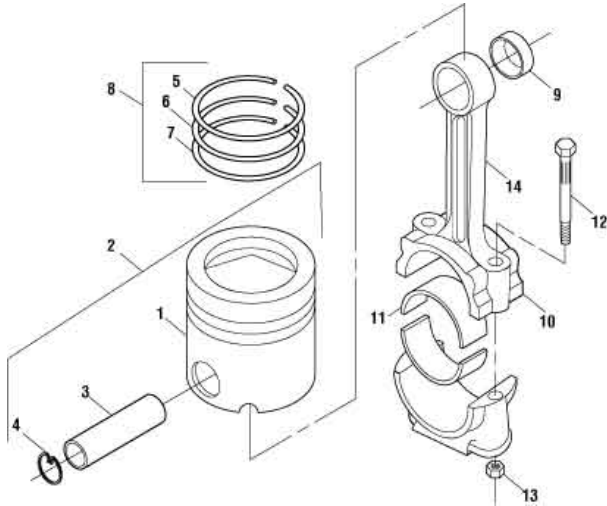
3100 SERIES / C7 SERIES SECTION – CRANKSHAFT

Continued

KEY	OEM REF	DESCRIPTION
8	CAT1969518	SET, Main Bearing (STD) Includes Bearings (3)370060 (3)370080 (1)370070
8	N/A	SET, Main Bearing (.25mm) Includes Bearings (3)370081 (1)370071 (3)370061
8	N/A	SET, Main Bearing (.50mm) Includes Bearings (3)370082 (1)370072 (3)370062
8	N/A	SET, Main Bearing (.75mm) Includes Bearings (3)370083 (1)370073 (3)370063
8	CAT1969519	SET, Main Bearing (STD) Includes Bearings (6)370080 (1)370070
8	N/A	SET, Main Bearing (.25mm) Includes Bearings (6)370081 (1)370071
8	N/A	SET, Main Bearing (.50mm) Includes Bearings (6)370082 (1)370072
8	N/A	SET, Main Bearing (.75mm) Includes Bearings (6)370083 (1)370073
9	CAT4R9999	EXCLUDER, Front Seal Dust
10	CAT3389809	DAMPER (3126, C7)

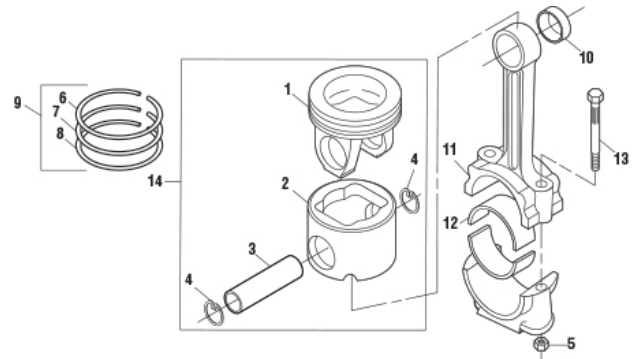
3100 SERIES / C7 SERIES SECTION – FLYWHEEL HOUSING

KEY	OEM REF	DESCRIPTION
1	CAT1605142	HOUSING, Flywheel
2	MAK6635-8HP5ONS	PLUG
3	CAT1726300	PLUG
4	CAT8T4196	BOLT (M10 X 1.5 X 35mm)
5	CAT9X6609	BOLT
6	MAK49AX281	PLUG
7	CAT7X2537	BOLT (M8 x 1.25 x 35mm)
8	CAT7X2536	BOLT (M8 x 1.25 x 14mm)
9	CAT8T4224	WASHER (8.8 x 15 x 2mm)
10	CAT3N4087	GASKET, Inspection Cover
11	CAT1265875	FLYWHEEL, Assembly



3100 SERIES / C7 SERIES SECTION – PISTONS, ROD BEARINGS AND RING SETS 3116 - ONE PIECE PISTON

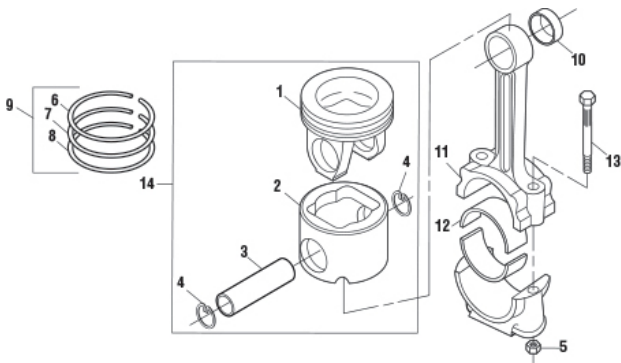
KEY	OEM REF	DESCRIPTION
1	CAT6I1144	PISTON (17.0 CR)
1	CAT1051710	PISTON (17.6 CR)
1	CAT1014495	PISTON (18.0 CR)
1	CAT1077563	PISTON
2	N/A	KIT, Piston (17.0 CR) Includes Piston (1)311050 Pin (1)311045 Retainers (2)311046
2	N/A	KIT, Piston (17.6 CR) Includes Piston (1)311052 Pin (1)311045 Retainers (2)311046
2	N/A	KIT, Piston (18.0 CR) Includes Piston (1)311054 Pin (1)311045 Retainers (2)311046
2	N/A	KIT, Piston Includes Piston (1)311172 Pin (1)311045 Retainers (2)311046
3	CAT7C0115	PIN, Piston
4	CAT7C0111	RETAINER, Pin
5	CAT7C0260	RING, Compression
6	CAT4P1807	RING, Intermediate
7	CAT4P1806	RING, Oil Control
8	CAT4P6914	SET, Ring Piston
9	CAT2W0027	BUSHING, Pin
10	CAT2133193	ROD, Connecting
11	CAT7W9415	BEARING, Rod (STD)
11	CAT7C6976	BEARING, Rod (.25mm Under)
11	CAT7C6977	BEARING, Rod (.5mm Under)
12	CAT9N3832	BOLT
13	CAT9L7669	NUT



3100 SERIES / C7 SERIES SECTION – PISTONS, ROD BEARINGS AND RING SETS 3116 - TWO PIECE PISTON

KEY	OEM REF	DESCRIPTION
1	CAT1077545	CROWN (16.7 CR) (Updated to 311222)
1	CAT1077553	CROWN(17.6 CR) (Updated to 311223)
1	CAT6I-1210	CROWN(16.7 CR) (Updated to 311228)
1	CAT6I4248	CROWN(16.0 CR) (Updated to 311260)
1	CAT1051720	CROWN (w/o Bushing) (Replaces 311168)
1	CAT1077852	CROWN (17.0 CR)
1	N/A	CROWN (w/o Bushing) (Replaces 311122)
1	N/A	CROWN (w/o Bushing) (Replaces 311123)
1	N/A	CROWN (w/o Bushing) (Replaces 311128)
1	N/A	CROWN (w/o Bushing) (Replaces 311160)
1	N/A	CROWN (w/o Bushing) (Replaces 311168)
1	N/A	CROWN
2	CAT1077791	SKIRT
3	CAT7C3901	PIN, Piston
4	CAT7C0111	RETAINER, Pin
5	CAT9L7669	NUT
6	CAT1077787	RING, Compression
7	CAT1004297	RING, Intermediate
7	CAT4P1807	RING, Intermediate
8	CAT4P1806	RING, Oil Control
9	N/A	SET, Piston Ring Includes Rings (1)305026 (1)305023 (1)305028
9	CAT4P6914	SET, Piston Ring Includes Rings (1)305026 (1)305027 (1)305028
10	CAT2W0027	BUSHING, Pin
11	CAT2133193	ROD, Connecting
12	CAT7W9415	BEARING, Rod (STD)
12	CAT7C6976	BEARING, Rod (.25mm under)

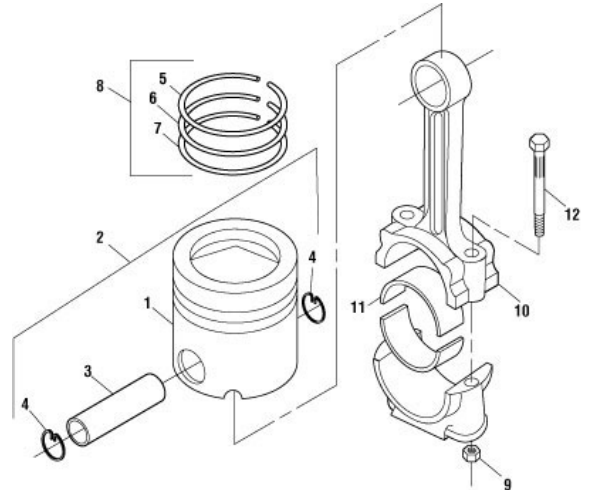
Continued



3100 SERIES / C7 SERIES SECTION – PISTONS, ROD BEARINGS AND RING SETS 3116 - TWO PIECE PISTON

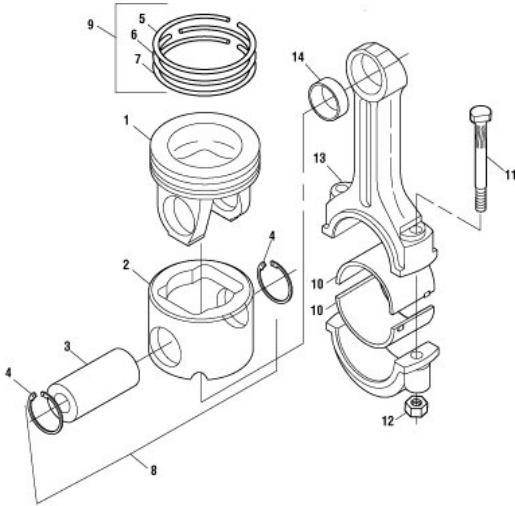
Continued

KEY	OEM REF	DESCRIPTION
12	CAT7C6977	BEARING, Rod (.50mm under)
13	CAT9N3832	BOLT
14	N/A	KIT, Piston Includes Crown (1)311122 Skirt (1)311125 Pin (1)311044 Retainers (2)311046
14	N/A	KIT, Piston Includes Crown (1)311123 Skirt (1)311125 Pin (1)311044 Retainers (2)311046
14	N/A	KIT, Piston Includes Crown (1)311128 Skirt (1)311125 Pin (1)311044 Retainers (2)311046
14	N/A	KIT, Piston Includes Crown (1)311160 Skirt (1)311125 Pin (1)311044 Retainers (2)311046
14	N/A	KIT, Piston Includes Crown (1)311168 Skirt (1)311125 Pin (1)311044 Retainers (2)311046
14	N/A	KIT, Piston Includes Crown (1)311176 Skirt (1)311125 Pin (1)311044 Retainers (2)311046
14	N/A	KIT, Piston (w/o Bushing) Includes Crown (1)311222 Skirt (1)311125 Pin (1)311044 Retainers (2)311046
14	N/A	KIT, Piston (w/o Bushing) Includes Crown (1)311223 Skirt (1)311125 Pin (1)311044 Retainers (2)311046
14	N/A	KIT, Piston (w/o Bushing) Includes Crown (1)311228 Skirt (1)311125 Pin (1)311044 Retainers (2)311046
14	N/A	KIT, Piston (w/o Bushing) (Replaces 311161) Includes Crown (1)311260 Skirt (1)311125 Pin (1)311044 Retainers (2)311046
14	N/A	KIT, Piston (w/o Bushing) (Replaces 311169) Includes Crown (1)311168 Skirt (1)311125 Pin (1)311044 Retainers (2)311046



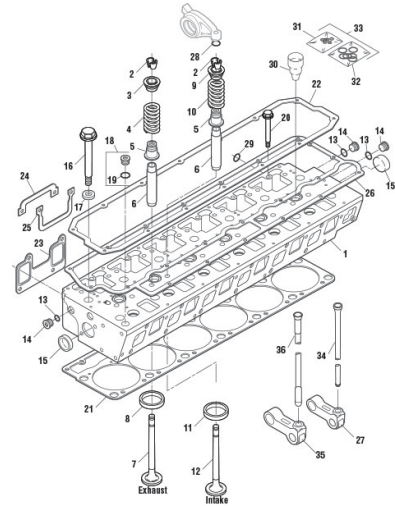
3100 SERIES / C7 SERIES SECTION – PISTONS, ROD BEARINGS AND RING SETS 3126B/E AND C7 - ONE PIECE PISTON

KEY	OEM REF	DESCRIPTION
1	CAT2382720	PISTON (C7)
1	CAT2382698	PISTON (C7)
1	CAT2382729	PISTON (3126E)
2	N/A	KIT, Piston (C7) Includes Piston (1)311110 Pin (1)311078 Retainers (2)311047
2	N/A	KIT, Piston (C7) Includes Piston (1)311113 Pin (1)311042 Retainers (2)311046
2	AEC224-3806	KIT, Piston (3126B) Includes Piston (1)311163 Pin (1)311042 Retainers (2)311046
3	CAT1687224	PIN, Piston (3126, C7)
3	CAT1979371	PIN, Piston (C7)
4	CAT7C0111	RETAINER, Pin (3126B)
4	CAT1979372	RETAINER, Pin (C7)
5	CAT1979386	RING, Compression
6	CAT1979277	RING, Intermediate
7	CAT1979354	RING, Oil Control
8	N/A	SET, Ring Includes Rings (1)305056 (1)305057 (1)305058
9	CAT9L7669	NUT
10	CAT2133193	ROD, Connecting
11	CAT7W9415	BEARING, Rod (STD)
11	CAT7C6976	BEARING, Rod (.25mm Under)
11	CAT7C6977	BEARING, Rod (.50mm Under)
12	CAT9N3832	BOLT



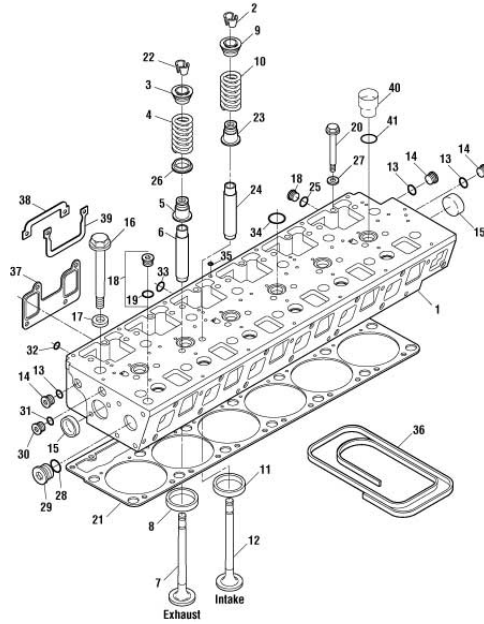
3100 SERIES / C7 SERIES SECTION – PISTONS, ROD BEARINGS AND RING SETS 3126 - TWO PIECE PISTON

KEY	OEM REF	DESCRIPTION
1	CAT1723282	CROWN (16.0 CR) (3126B)
1	CAT1443444	CROWN (16.0 CR)
1	CAT1335044	CROWN (16.0 CR)
1	CAT1504621	CROWN (16.0 CR) (3126B)
1	CAT3938986	CROWN(17.1 CR) (3126B)
2	CAT1154083	SKIRT
3	CAT1013210	PIN
4	CAT7C0111	RETAINER
5	CAT1979386	RING, Compression
6	CAT1979277	RING, Intermediate
7	CAT1979354	RING, Oil Control
8	N/A	KIT, Piston (16.0 CR) Includes Crown (1)311142 Skirt (1)311127 Pin (1)311043 Retainers (2)311046
8	N/A	KIT, Piston (16.0 CR) (3126B) Includes Crown (1)311143 Skirt (1)311127 Pin (1)3111043 Retainers (2)311046
8	N/A	KIT, Piston (16.0 CR) Includes Crown (1)311141 Skirt (1)311127 Pin (1)311043 Retainers (2)311046
8	N/A	KIT, Piston (16.0 CR) (3126B) Includes Crown (1)311139 Skirt (1)311127 Pin (1)311043 Retainers (2)311046
8	N/A	KIT, Piston(17.1 CR) (3126B) Includes Crown (1)311174 Skirt (1)311127 Pin (1)311043 Retainers (2)311046
9	N/A	SET, Ring Includes Rings (1)305056 (1)305057 (1)305058
10	CAT7W9415	BEARING, Rod (STD)
10	CAT7C6976	BEARING, Rod (.010in)
10	CAT7C6977	BEARING, Rod (.020in)
11	CAT9N3832	BOLT, Connecting Rod
12	CAT9L7669	NUT, Rod Bolt
13	CAT2133193	ROD, Connecting
14	CAT2W0027	BUSHING



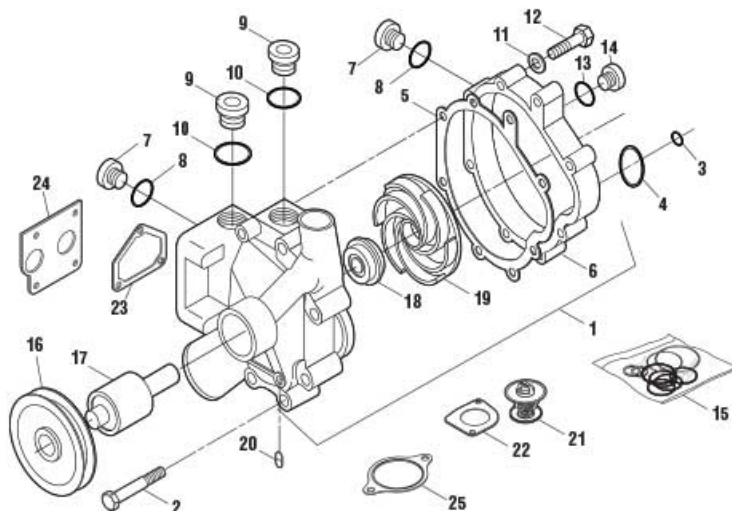
3100 SERIES / C7 SERIES SECTION – CYLINDER HEAD 3116/3126

KEY	OEM REF	DESCRIPTION
1	CAT119-3065	ASSEMBLY, Cylinder Head
2	CAT1W2715	COLLET
3	CAT1335037	RETAINER, Spring
4	CAT6I2307	SPRING, Exhaust
5	CAT1193036	SEAL, Valve Stem
6	CAT9Y8848	GUIDE, Valve (Finished)
7	CAT1360819	VALVE, Exhaust
8	CAT1W2713	INSERT, Exhaust
9	CAT7E7779	RETAINER, Spring
10	CAT7C4273	SPRING
11	CAT7W8065	INSERT, Intake
12	CAT1614280	VALVE, Intake (3126, 3116, 3114)
12	CAT7W8064	VALVE, Intake (3116)
13	CAT1J9671	O-RING
14	CAT9S8003	PLUG (1/2in-20)
15	CAT2M6471	PLUG, Cup (38.35mm)
16	CAT1274836	BOLT
17	CAT8T3282	WASHER
18	CAT9S8002	PLUG
19	CAT3J7354	O-RING
20	CAT8T5030	BOLT
21	CAT1077832	GASKET, Cylinder Head (3116)
21	CAT2051293	GASKET, Cylinder Head (3126 2VH)
21	CAT2822474	GASKET, Cylinder Head (.010in) (3126, C7)
22	CAT1192940	GASKET, Valve Cover (3126)
23	CAT113-6200	GASKET, Exhaust
24	CAT1560235	LOCK, Exhaust Manifold
25	CAT6I3033	LOCK, Exhaust Manifold
26	CAT1136250	GASKET, Rocker Housing
27	CAT1468147	FOLLOWER, Arm Assembly (3126)
28	CAT8L2777	O-RING, Rocker Arm
29	CUM3990084	O-RING
30	CAT1193061	SLEEVE, Injector (Copper)
31	CAT1258274	O-RING
32	CAT1148718	O-RING, Injector
33	N/A	KIT, Injector O-Ring (3126) Includes O-Rings (6)321286 (6)321292
34	CAT2646156	PUSHROD, Valve (C7, 3126B, 3126E)
34	CAT1013268	PUSHROD, Valve (3126)
34	CAT6I1241	PUSHROD, Valve (3116)
35	CAT7E6794	FOLLOWER, Injector (3116)
36	CAT4P8577	PUSHROD, Injector (3116)



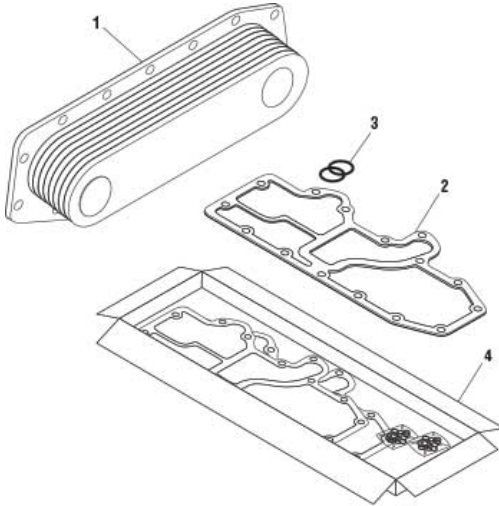
**3100 SERIES / C7 SERIES SECTION – CYLINDER HEAD
3126B / C7**

KEY	OEM REF	DESCRIPTION	KEY	OEM REF	DESCRIPTION
1	CAT133-3741	HEAD, Cylinder	24	CAT1409670	GUIDE, Intake Valve (Finished)
2	CAT1W2715	COLLET	25	CAT6V5048	O-RING, Seal
3	CAT1344473	SPRING, Exhaust Retainer	26	CAT1376715	SEAT, Exhaust Spring
4	CAT1376718	SPRING, Exhaust	27	CAT6V5839	WASHER
5	CAT1632478	SEAL	28	CAT9X7712	O-RING
5	CAT1457383	SEAL	29	CAT9S9934	PLUG
5	CAT1415762	SEAL	30	CAT9S8004	PLUG
6	CAT1478220	GUIDE, Exhaust Valve (Finished)	31	CAT0336042	O-RING
6	CAT122-7375	GUIDE, Exhaust Valve (Finished)	32	CAT2M9780	O-RING
7	CAT1478211	VALVE, Exhaust	33	CAT3K0360	O-RING
7	CAT1388422	VALVE, Exhaust	34	CAT8C0563	O-RING
8	CAT1240810	SEAT, Exhaust Valve	34	CAT3107255	O-RING
8	CAT1478218	SEAT, Exhaust Valve	35	CAT1J9671	O-RING
9	CAT7E7779	RETAINER, Intake Spring	36	CAT5P5678-3	GASKET, Valve Cover (3M)
10	CAT1406188	SPRING, Intake	36	CAT5P5678	GASKET, Valve Cover (96M) (Use as required)
11	CAT1353042	SEAT, Intake	36	CAT5P5678-6	GASKET, Valve Cover (6M)
11	CAT1478219	SEAT, Intake	36	CAT5P5678-4	GASKET, Valve Cover (4M)
11	CAT1559504	SEAT, Intake	36	CAT5P5678-8	GASKET, Valve Cover (8M)
12	CAT1457390	VALVE, Intake	36	CAT5P5678-9	GASKET, Valve Cover (9M)
12	CAT1457389	VALVE, Intake	36	CAT2720388	GASKET, Valve Cover (C7)
12	CAT1414317	VALVE, Intake	37	CAT2721956	GASKET, Exhaust
13	CAT7J0204	O-RING	37	CAT1136200	GASKET, Exhaust
14	CAT1N5999	PLUG	38	CAT1560235	LOCK
15	CAT4F5695	PLUG, Cap	38	CAT1279810	LOCK
16	CAT1383252	BOLT	39	CAT6I3033	LOCK
17	CAT8T3282	WASHER	39	CAT1279811	LOCK
18	CAT9S8002	PLUG	40	CAT2271200	SLEEVE, Injector (C7)
19	CAT3J7354	O-RING, Seal	40	CAT2272911	SLEEVE, Injector (3126B)
20	CAT8T7950	BOLT (M10 x 1.5in x 180mm)	41	CAT3107257	O-RING, Injector Tube (C7)
21	CAT1334995	GASKET, Head	41	CAT3107258	O-RING, Injector Tube (C7)
22	CAT2A4429	COLLET, Exhaust Valve	41	CAT3107259	O-RING, Injector Tube (C7)
23	CAT1478214	SEAL, Intake Valve Stem			



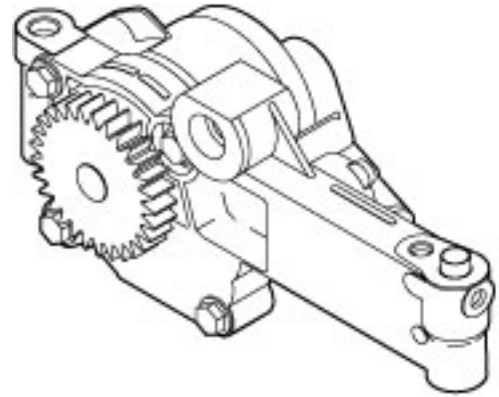
**3100 SERIES / C7 SERIES SECTION –
WATER PUMP 3116 / 3126 / 3126B / C7**

KEY	OEM REF	DESCRIPTION	KEY	OEM REF	DESCRIPTION
1	CAT4P3683	PUMP, Water Assembly	16	CAT117-3437	PULLEY (For Assemblies 129-1172, 117-3437)
1	CAT7C4508	PUMP, Water Assembly	16	CAT171-6108	PULLEY (For Assembly 189-0240)
1	CAT1208402	PUMP, Water Assembly	17	CAT2777089	SHAFT (For Assemblies 4P8520, 7C4508, 126-8227)
1	CAT3522109	PUMP, Water Assembly (3126E, C7)	17	CAT129-1170	SHAFT (For Assemblies 129-1172, 189-0240, 156-0231)
1	CAT3522080	PUMP, Water Assembly(C7)	18	CAT147-5088	SEAL, Assembly (For Assemblies 4P8520, 7C4508, 129-1172, 189-0240, 156-0231)
1	CAT3522163	PUMP, Water Assembly(3126B/E, C7)	18	CAT2W0712	SEAL Assembly (For Assembly 126-8227)
2	CAT8T0644	BOLT (M10 x 1.50 x 90)	18	MAK447GC224A	SEAL Assembly (For 126-8226)
3	CAT2M4453	O-RING	19	CAT152-3952	IMPELLER (For Assemblies 4P8520, 129-1172, 189-0240, 156-0231)
3	CAT1470182	O-RING	19	CAT4W0251	IMPELLER (For Assembly 126-8227)
4	CAT7F8267	O-RING	20	CAT119-3025	FILTER
4	CAT4J0524	O-RING	21	CAT1193075	THERMOSTAT (177 deg) (3116, 3126, 3126B)
5	CAT4W7592	GASKET	21	CAT1154223	THERMOSTAT (190 deg) (3116, 3126, 3126B, C7)
6	CAT4W0253	COVER (3126B)	21	CAT1265869	THERMOSTAT (200 deg) (3116)
6	CAT107-7701	COVER (3126)	22	CAT4P2684	GASKET, Thermostat (3116, 3126)
7	CAT9S8005	PLUG	22	CAT1360812	GASKET, Thermostat (3126B)
8	CAT3K0360	O-RING	22	CAT1957339	GASKET, Thermostat (3126)
9	CAT9S8008	PLUG	22	CAT4W0549	GASKET, Thermostat (3116)
10	CAT3D2824	O-RING, Seal	23	CAT1265466	GASKET, Thermostat Housing (3126B)
11	CAT9M1974	WASHER	23	CAT2850365	GASKET, Thermostat Housing (C7)
12	CAT6V3918	BOLT (M8 x 1.25 x 50)	24	CAT2W7212	GASKET, Thermostat (3126B)
13	CAT1J9671	O-RING, Seal	24	CAT2225915	GASKET, Thermostat Housing (C7)
14	CAT9S8003	PLUG (1/2in - 20)	25	CAT2002258	GASKET, Coolant (C7)
15	CAT2089810	KIT, Water Pump Gasket Includes Gasket (1)331475 O-Rings (1)EGA-3062 (1)321261 (2)321231 (4)EGA-3061 (1)321317			
15	CAT2712910	KIT, Water Pump Gasket (C7) Includes Gasket (1)331505 O-Rings (1)321261 (1)321231 (1)321229 (3)EGA-3061 (1)321262 (1)321385			
16	CAT1979642	PULLEY (C7, C9)			
16	CAT7C7890	PULLEY (For Assembly 4P8520)			
16	CAT7W3780	PULLEY (3126B) (For Assemblies 7C7508, 126-8227)			



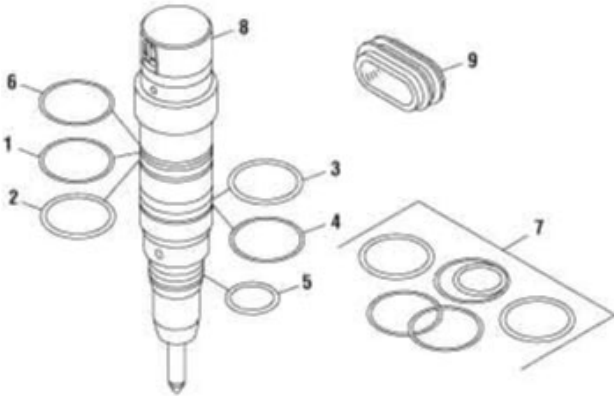
3100 SERIES / C7 SERIES SECTION – OIL COOLER

KEY	OEM REF	DESCRIPTION
1	CAT2674743	COOLER, Oil
2	CAT7C1160	GASKET, Oil Cooler (3116)
2	CAT2337654	GASKET, Oil Cooler (C7)
2	CAT2337655	GASKET, Oil Cooler
3	CAT3P1156	O-RING
4	CAT7X2524	KIT, Oil Cooler Gasket (3116) Includes Gaskets (1)331309 (1)331310 (1)431208 O-Rings (2)321228 (1)321239 (1)321243 (1)321231 (1)EGA-3061 (2)321247 (1)321229 (3)EF30190
4	CAT1422222	KIT, Oil Cooler Gasket Includes Gaskets (1)331310 (1)331309 O-Rings (2)321228 (1)321229 (1)321239 (2)321247
4	CAT3259470	KIT, Oil Cooler Gasket (C7) Includes Gaskets (1)331506 (1)331507 O-Rings (2)321276 (2)321228 (7)321229 (2)321255 (1)321254 (1)321243 (1)EF30130
4	N/A	KIT, Oil Cooler Gasket (3126) Includes Gaskets (1)331308 (1)331506 (1)331507 (1)331310 (1)331309 O-Rings (2)321228 (1)321229 (2)321255 (1)321243 (1)321239



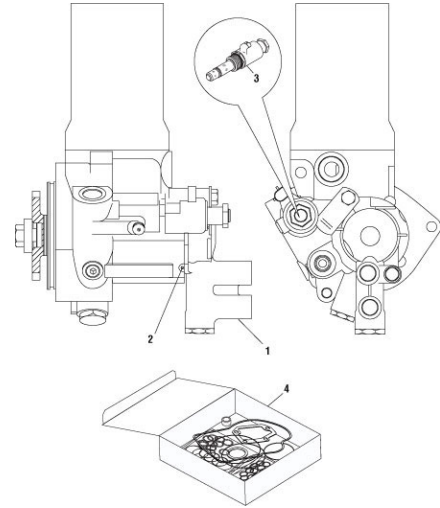
3100 SERIES / C7 SERIES SECTION – OIL PUMP

KEY	OEM REF	DESCRIPTION
	CAT1154123	PUMP, Oil (3116, 33 Teeth)
	CAT2W8092	PUMP, Oil Housing (3116) (NSS sold in 341306)
	CAT2105559	PUMP, Oil



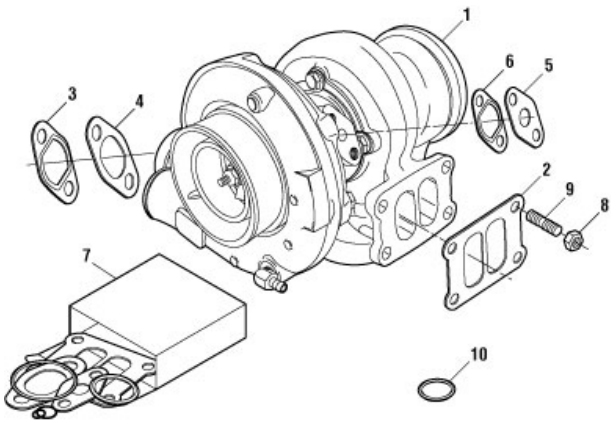
3100 SERIES / C7 SERIES SECTION – FUEL INJECTION COMPONENTS

KEY	OEM REF	DESCRIPTION
1	CAT150-4105	RING (1.365 x .105 x .070)
2	CAT2373800	O-RING (32.92mm)
3	CAT1482903	O-RING (31.34mm)
4	CAT1495240	RING, Split Plastic (1.280 x .101 x .055)
5	CAT1093207	O-RING (23.39mm)
6	CAT2930730	RING, Injector Backup
6	CAT1333715	RING, Injector Backup (Steel) (1.430 x .090 x .035)
7	N/A	KIT, Injector O-Ring (3126) Includes O-Rings (6)321286 (6)321292
7	CAT2421539	KIT, Injector O-Ring (3126B) Includes O-Rings (1)421217 (1)342055 (1)321344 (1)321335 (1)321334 (1)321345
7	CAT2974841	KIT, Injector O-Ring(C7) Includes O-Rings (1)421217 (2)321334 (1)321345 (1)321347
8	CAT1471996	INJECTOR
9	CAT1231199	SEAL, Injector Connector (3126B)



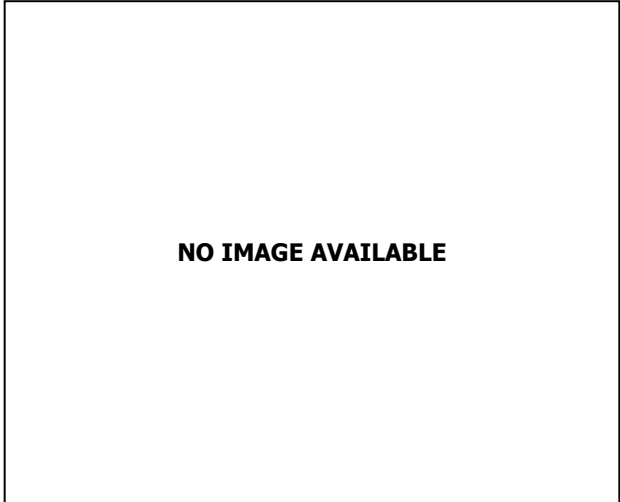
3100 SERIES / C7 SERIES SECTION – FUEL PUMP

KEY	OEM REF	DESCRIPTION
1	CAT1282050	PUMP, Fuel Supply
2	CAT144-7339	O-RING
3	CAT1225053	VALVE, Solenoid Pressure
4	CAT9X6548	KIT, Fuel Pump Gasket(3116) Includes Gasket (1)331305 O-Rings (1)321224 (12)321229 (1)321236 (1)321237 (2)321238 (4)321239 (1)321240 (1)321241 (1)321242 (5)321243 (5)321244 (1)321245 (1)121252 (6)121256 (1) EF30160 (1)EGA-3877 (1)EGS-3905-021 Seals (1)321340 (1)331255 (1)336050



3100 SERIES / C7 SERIES SECTION – TURBOCHARGER

KEY	OEM REF	DESCRIPTION
1	CAT1030652	TURBOCHARGER (3116)(215 hp)
1	CAT1032084	TURBOCHARGER (3116)(250 hp)
1	CAT1955995	TURBOCHARGER (3126) (210-230 hp)
1	CAT1918028	TURBOCHARGER (3126B) (250-300 hp)
1	CAT1956020	TURBOCHARGER (3126B) (175-190 hp)
1	CAT2375271	TURBOCHARGER (3126E) (210-235 hp)
1	CAT1918019	TURBOCHARGER (3126B)
1	CAT1974998	TURBOCHARGER (3126B)
1	CAT1915108	TURBOCHARGER (3126)
1	CAT2033376	TURBOCHARGER (3126)
2	CAT7C7431	GASKET, Turbo Mounting
2	CAT1P0451	GASKET, Turbo Mounting
2	CAT1247331	GASKET, Turbo Mounting
2	CAT4P7704	GASKET, Turbo Mounting
3	CAT1262702	GASKET, Oil Drain (3126)
4	CAT7W2398	GASKET, Turbo Drain (3126)
5	CAT1S7057	GASKET, Oil Inlet (3126)
6	CAT1986068	GASKET, Oil (3316)
7	CAT7X2526	KIT, Installation Gasket (3116, 3126) Includes Gaskets (1)331306 (1)331307 (1)331308 O-Rings (1)321209 (1)321229 (2)321243 (1)121208
7	CAT1422220	KIT, Installation Gasket (3126B) Includes Gaskets (1)331345 (1)331306 (1)431208 O-Rings (1)121208 (1)321243 (1)321209
7	CAT3184328	KIT, Installation Gasket (C7) Includes Gaskets (1)331274 (1)331308 (1)331306 O-Ring (1)321276 (2)321229 (1)121208 (1)321394 (2)321243 (1)EF30130 Bolts (4)040110 Nuts (4) 340061
8	CAT9X6620	NUT, Turbo
9	CAT8T7044	STUD, Turbo Mounting (M10 x 1.5 x 40)
10	CAT4F7391	O-RING, Oil Drain at Block



3100 SERIES / C7 SERIES SECTION – ENGINE GASKET KITS

KEY	OEM REF	DESCRIPTION
1	CAT2664325	KIT, Lower Gasket (3116)
1	CAT2849745	KIT, Lower Gasket (3126B) (w/Integral Seal Pan Gasket)
1	CAT2672122	KIT, Lower Gasket (3126)
1	CAT3259469	KIT, Lower Gasket (C7)
1	CAT2974835	KIT, Lower Gasket (C7)
2	CAT2545676	KIT, Upper Gasket (3116)
2	CAT2640591	KIT, Upper Gasket (3126B)
2	CAT1002952	KIT, Upper Gasket (3116)
2	CAT2152676	KIT, Upper Gasket (3126)
2	CAT2376367	KIT, Upper Gasket (3126)
2	CAT2975350	KIT, Upper Gasket (C7)
2	CAT3259472	KIT, Upper Gasket (C7)
2	CAT2301104	SET, Upper Gasket
2	CAT4601469	SET, Upper Gasket
3	N/A	KIT, Overhaul Gasket (3116)
4	CAT2878446	KIT, Front Cover Gasket (3116)
4	CAT1254656	KIT, Front Cover Gasket (3126)
4	CAT1243687	KIT, Front Cover Gasket (3126)
4	CAT1622989	KIT, Front Cover Gasket (3126B)
4	CAT1966930	KIT, Front Cover Gasket (3126B)
4	CAT3291383	KIT, Front Cover Gasket (C7)
5	CAT2243871	KIT, Rear Cover Gasket (3116)
5	CAT2908676	KIT, Rear Cover Gasket (C7)
6	CAT3134406	KIT, Compressor Gasket (C7)

NO IMAGE AVAILABLE

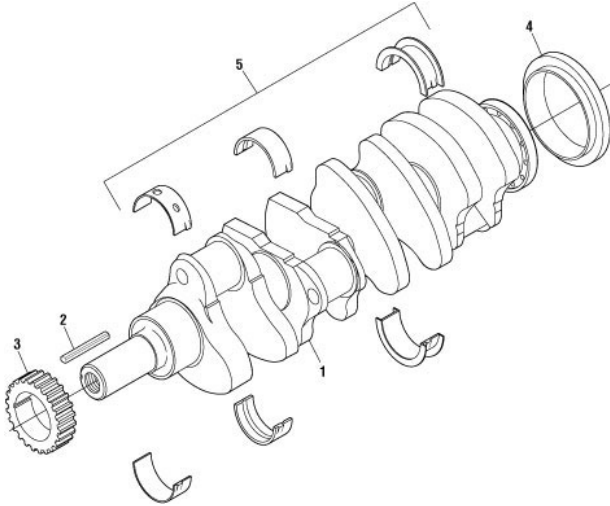
NO IMAGE AVAILABLE

3100 SERIES / C7 SERIES SECTION – MISCELLANEOUS COMPONENTS

KEY	OEM REF	DESCRIPTION
1	CAT0R7587	CARTRIDGE, Turbocharger
2	CAT0L0364	LOCK
3	CAT4L9564	O-RING, Breather
3	CAT5P7813	O-RING, Valve Regulator (3126)
3	CAT1T1068	O-RING, Injection Pump
3	CAT6V8397	O-RING
3	CAT4J5477	O-RING, Accessory Drive
3	CAT8M4445	O-RING
3	CAT5P5846	O-RING, Air Compressor
3	CAT335853	O-RING
3	CAT8H2046	O-RING
3	CAT2213494	O-RING
3	CAT1136303	O-RING
3	CAT2147568	O-RING
3	CAT7J9108	O-RING
3	CAT1407969	O-RING, Injection Pump
3	CAT2275904	O-RING, Injection Pump (C7)
3	CAT2147567	O-RING
4	CAT7E0844	SEAL, Ring Rectangular (3126)
4	CAT1151192	SEAL, Governor Housing (3126)
4	CAT7W4486	SEAL, Injector
4	CAT1422329	SEAL, Oil Return (3126)
4	CAT7S6798	SEAL, Shaft (3126)
4	CAT2A3398	SEAL, Plug Drain
5	CAT7W4482	WASHER, Seal Nozzle
5	CAT8N4183	WASHER, Nozzle
5	CAT6F7062	WASHER, Copper (3126)
6	CAT6L2609	PLUG, Replacement
7	CAT6V0852	CAP, Protective(C7)
8	BEN107981	COMPRESSOR, Air

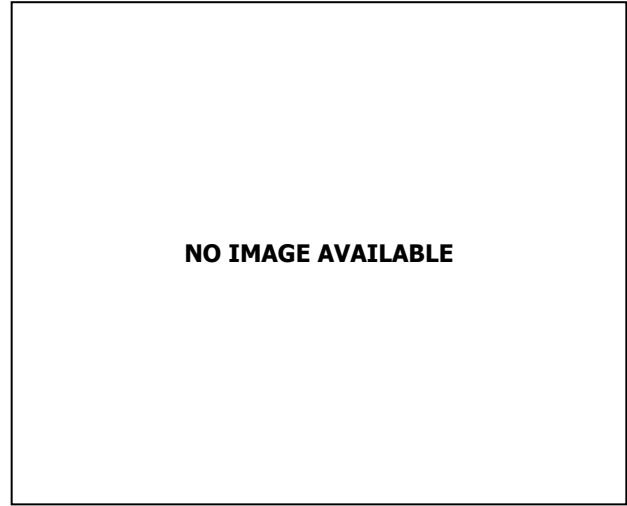
3100 SERIES / C7 SERIES SECTION – MISCELLANEOUS GASKETS

KEY	OEM REF	DESCRIPTION
1	CAT1446142	GASKET, Air Compressor
1	CAT1007432	GASKET, Air Compressor (3176)
1	CAT1006178	GASKET, Air Compressor Mount(3176)
1	CAT6D1004	GASKET, Air Compressor
1	CAT7E8928	GASKET, Air Compressor Base
2	MAK745-236577	GASKET, Governor (3126 B)
3	CAT7C1159	GASKET, Fuel Filter (3116)
3	CAT7E9817	GASKET, Oil Filter (3116)
4	CAT1359819	GASKET, Compressor Mounting (3116)
5	CAT7W5340	GASKET, Tube Pump (3116)
5	CAT7C0358	GASKET, Tube (3116)
6	CAT7W2426	GASKET, Cover (3126)
6	CAT1443472	GASKET, Cover Air (3126B)
7	CAT9Y1895	GASKET
7	CAT4P1623	GASKET
7	CAT1258842	GASKET
8	CAT3K3257	GASKET, Starter (3116)
9	CAT7C1152	GASKET, Inlet
9	CAT1L8212	GASKET, Water Connector
10	CAT4P1624	GASKET, Manifold Inlet
11	CAT1095309	GASKET, Valve Cover Base
12	CAT7B4910	GASKET, Connector
13	CAT5L8484	GASKET, Exhaust Pipe (3100)
14	CAT1512909	GASKET, Shim



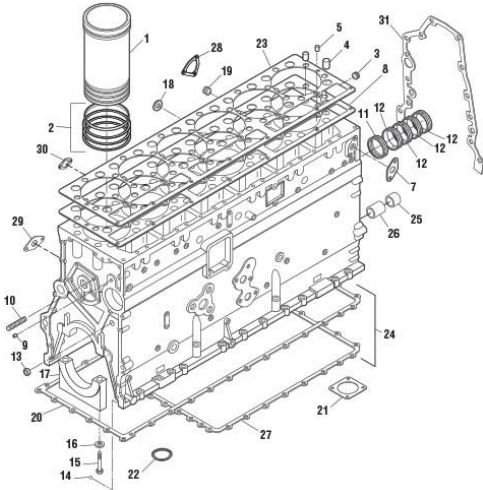
3200 SERIES SECTION – CRANKSHAFT - 3208

KEY	OEM REF	DESCRIPTION
1	CAT9N6220	CRANKSHAFT
2	CAT9N6677	KEY
3	CAT7N6290	GEAR
4	CAT1W0036	SEAL
5	CAT9Y6202	SET, Main Bearing (STD)
5	N/A	SET, Main Bearing (.010)
5	N/A	SET, Main Bearing (.020)
5	N/A	SET, Main Bearing (.050)



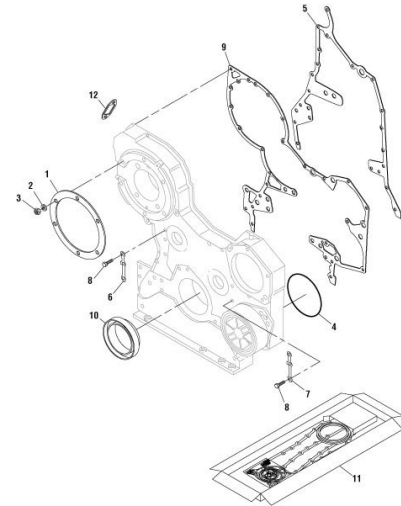
3200 SERIES SECTION – MISCELLANEOUS COMPONENTS

KEY	OEM REF	DESCRIPTION
1	CAT9N5923	BEARING, Rod (STD) (Early)
1	CAT9N5924	BEARING, Rod (.010) (Early)
1	CAT9N5925	BEARING, Rod (.020) (Early)
1	CAT9N5926	BEARING, Rod (.050) (Early)
1	CAT7E7894	BEARING, Rod (STD) (Late)
1	CAT9N5920	BEARING, Rod (.010) (Late)
1	CAT9N5921	BEARING, Rod (.020) (Late)
1	CAT9N5922	BEARING, Rod (.050) (Late)
2	CAT1P0451	GASKET, Turbo
3	CAT1S2898	LOCK, Valve
4	CAT2W1223	ASSEMBLY, Water Pump (3204)
4	CAT2W1225	ASSEMBLY, Water Pump (3208)
5	CAT4N0659	GASKET, Water Pump (3204)
5	CAT9N0137	GASKET, Water Pump (3208)
6	CAT9N6275	SLEEVE, Repair (3208)
7	CAT1028392	THERMOSTAT (180 deg)



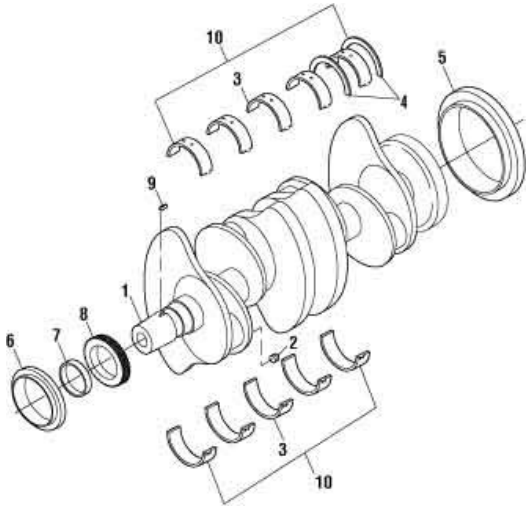
3300 SERIES SECTION – CYLINDER BLOCK

KEY	OEM REF	DESCRIPTION
1	CAT1105800	LINER, Cylinder (3304, 3306)
2	CAT5P8768	KIT, Seal Includes O-Rings (3)321225 Band (1)321226
3	CAT2B0858	PLUG (1/2in-14)
3	CAT3J6109	PLUG
4	CAT8K1207	DOWEL
5	CAT1S9540	DOWEL
6	CAT5B7652	DOWEL
7	CAT1422329	SEAL, Oil Return (3306)
8	CAT1157550	GASKET, Block Plate (3306)
8	CAT7W7544	GASKET, Spacer Plate (3304)
9	CAT8B6349	DOWEL
10	CAT5S8462	STUD
11	CAT8N4110	BEARING, Cam (#1)
12	CAT7M4046	BEARING, Cam (#2-7)
13	CAT4B3938	PLUG, Cup
14	CAT4B9782	BALL
15	CAT7S3224	BOLT (5/8in-11 x 5.25in)
16	CAT2S5658	WASHER
17	CAT6N8003	CAP
18	CAT6F7062	WASHER, Copper (3306)
19	CAT4B5387	PLUG, Expansion
20	CAT1694200	GASKET, Oil Pan
20	CAT5S6045	GASKET, Oil Pan (3304)
21	CAT1H7666	GASKET (3306)
22	CAT6F4868	GASKET (3304)
22	CAT2A3398	SEAL, Drain Plug (Oil Pan) (3306B)
23	CAT7N7998	PLATE, Spacer (3306C)
23	CAT7N8021	PLATE, Spacer (3304)
24	N/A	KIT, Oil Pan Gasket (3306) Includes Gaskets (1)331209 (1)331215
25	CAT9Y2991	BEARING, Balance Shaft (3304)
26	CAT9Y2992	BEARING, Balance Shaft (3304)
27	CAT1694199	GASKET, Sump Pan (3306)
27	CAT8S1963	GASKET, Sump Pan (3304)
28	CAT4M2250	GASKET
28	CAT5S8055	GASKET
29	CAT8N6854	GASKET
29	CAT4M6480	GASKET
30	CAT2M5407	GASKET
31	CAT9H5921	GASKET, Flywheel Housing



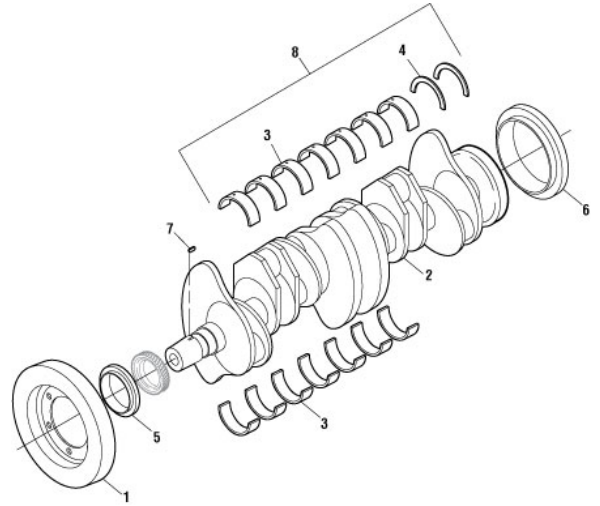
3300 SERIES SECTION – FRONT COVER

KEY	OEM REF	DESCRIPTION
1	CAT6N7887	GASKET, Front Cover
2	ROK1229-K-1597	WASHER
3	CAT1B4203	NUT
4	MAK56AX398	O-RING
5	CAT8N0110	GASKET, Front Plate
6	CAT9S3187	LOCK
7	CAT9S3188	LOCK
8	ROKS-268-1	SCREW
9	CAT1W3900	GASKET
10	CAT9Y9895	KIT, Crank Seal
11	CAT3918229	KIT, Front Gasket Includes Gaskets (1)331441 (1)331348 (1)331402 (2)DGK-4113 (1)331437 (1)331439 O-Rings (1)EGA-0420 (1)GGA-2991 (1)321228 (1)BGA-2500 (2)BGA-2999 (1) EGS-3905-021 (1)121317 Seal kit (1)336010 Plug (1)342150
12	CAT2P2720	GASKET, Oil Fill



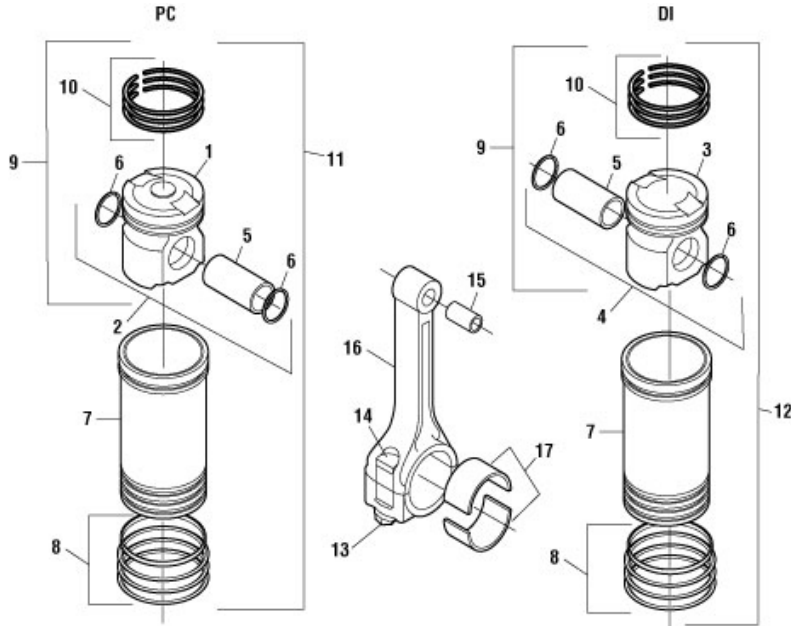
3300 SERIES SECTION – CRANKSHAFT 3304

KEY	OEM REF	DESCRIPTION
1	CAT4N7692	CRANKSHAFT
2	MAK49AX230	PLUG
3	CAT4W5738	BEARING, Main (STD)
3	CAT8N8225	BEARING, Main (.010in)
3	CAT8N8226	BEARING, Main (.020in)
3	CAT8N8227	BEARING, Main (.030in)
3	CAT8N8228	BEARING, Main (STD ID/+ .020in OD)
3	CAT8N8229	BEARING, Main (.010in ID/+ .020in OD)
4	CAT6N8940	BEARING, Thrust(PC)
4	CAT1003652	BEARING, Thrust (+.029in) (Late PC & DI)
4	CAT9S3037	BEARING, Thrust (+.045in)
5	CAT4W0452	SEAL, Rear
5	CAT7C4297	SEAL, Rear (3304)
6	CAT9Y9895	SEAL, Front
6	CAT3628853	SEAL, Crank
7	CAT2P3859	RING, Wear
8	CAT7N4525	GEAR
9	CAT5H2671	KEY
10	N/A	SET, Main Bearing (STD) (3304PC) Includes Main Bearings (5)370135 Thrust Bearings (2)370143
10	N/A	SET, Main Bearing (.010) (3304PC) Includes Main Bearings (5)570136 Thrust Bearings (2)370143
10	N/A	SET, Main Bearing (.020in) (3304PC) Includes Main Bearings (5)370137 Thrust Bearings (2)370143
10	N/A	SET, Main Bearing (.030in) (3304PC) Includes Main Bearings (5)370138 Thrust Bearings (2)370143
10	N/A	SET, Main Bearing (STD) (3304DI) Includes Main Bearings (5)370135 Thrust Bearings (2)370144
10	N/A	SET, Main Bearing (.010in) (3304DI) Includes Main Bearings (5)370136 Thrust Bearings (2)370144
10	N/A	SET, Main Bearing (.020in) (3304DI) Includes Main Bearings (5)370137 Thrust Bearings (2)370144
10	N/A	SET, Main Bearing (.030in) (3304DI) Includes Main Bearings (5)370138 Thrust Bearings (2)370144



3300 SERIES SECTION – CRANKSHAFT 3306

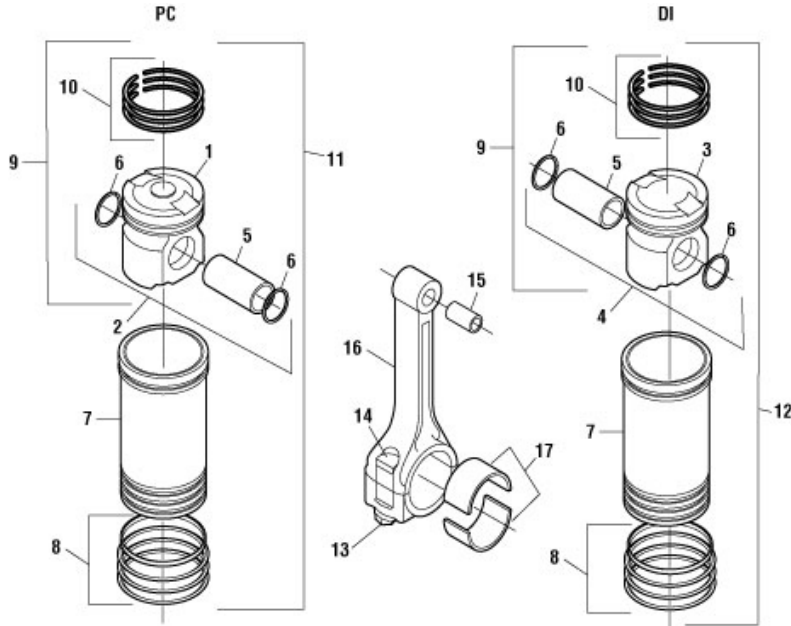
KEY	OEM REF	DESCRIPTION
1	CAT1678123	DAMPER
2	CAT2W7458	CRANKSHAFT
3	CAT4W5738	BEARING, Main, Pair (#1-7) (STD)
3	CAT8N8225	BEARING, Main, Pair (#1-7) (.010in)
3	CAT8N8226	BEARING, Main, Pair (#1-7) (.020in)
3	CAT8N8227	BEARING, Main, Pair (#1-7) (.030in)
3	CAT8N8228	BEARING, Main, Pair (#1-7) (STD ID/+ .020in OD)
3	CAT8N8229	BEARING, Main, Pair (#1-7) (-.010in ID/+ .020in OD)
4	CAT6N8940	BEARING, Thrust (STD) (PC)
4	CAT1003652	BEARING, Thrust (+.029in) (Late PC & DI)
4	CAT9S3037	BEARING, Thrust (+.046in)
5	CAT9Y9895	KIT, Front Seal
5	CAT3628853	SEAL, Crank
6	CAT4W0452	KIT, Rear Seal
7	CAT5H2671	KEY
8	N/A	SET, Main Bearing (STD) Includes Bearings (7)370135 Thrust Bearing (2)370144
8	N/A	SET, Main Bearing (.010in) Includes Bearings (7)370136 Thrust Bearing (2)370144
8	N/A	SET, Main Bearing (.020in) Includes Bearings (7)370137 Thrust Bearing (2)370144
8	N/A	SET, Main Bearing (.030in) Includes Bearings (7)370138 Thrust Bearing (2)370144
8	N/A	SET, Main Bearing (STD) (3306 PC) Includes Main Bearings (7)370135 Thrust Bearings (2)370143
8	N/A	SET, Main Bearing (.010in) (3306PC) Includes Main Bearings (7)370136 Thrust Bearings (2)370143
8	N/A	SET, Main Bearing (.020in) (3306PC) Includes Main Bearings (7)370137 Thrust Bearings (2)370143
8	N/A	SET, Main Bearing (.030in) (3306PC) Includes Main Bearings (7)370138 Thrust Bearings (2)370143



3306 SERIES SECTION – PISTONS, ROD BEARING AND RING SETS

KEY	OEM REF	DESCRIPTION	KEY	OEM REF	DESCRIPTION
1	CAT9N5250	PISTON (PC) (17.5 CR)	4	N/A	KIT, Piston Piston (1)311210 Pin (1)311084 Retainers (2)311086
1	CAT9N5403	PISTON (PC) (17.5 CR)	5	CAT7N9804	PIN, Piston (1.5in) (Early PC)
1	CAT8N3182	PISTON (PC)	5	CAT7N9805	PIN, Piston (1.7in) (Late PC)
1	CAT1646560	PISTON, Industrial	6	CAT1S9543	RETAINER, Pin (use w/ Pin 311085)
2	N/A	KIT, Piston (17.5 CR) Includes Piston (1)311097 Pin (1)311085 Retainers (2)311086	6	CAT9H4015	RETAINER, Pin (use w/ Pin 311084)
2	N/A	KIT, Piston (17.5 CR) Includes Piston (1)311099 Pin (1)311085 Retainers (2)311086	7	CAT1105800	LINER, Cylinder (3306)
2	N/A	KIT, Piston (w/ 1.5in Pin) Includes Piston (1)311103 Pin (1)311084 Retainers (2)311087	8	CAT5P8768	KIT, Liner Seal
2	N/A	KIT, Piston, Industrial Includes Piston (1)311192 Pin (1)311085	9	CAT2W1711	KIT, Piston w/Ring Includes Piston Kit (1)311094 Ring Set (1)305030
3	CAT1073565	PISTON (DI) (17.0 CR)	9	CAT9Y8217	KIT, Piston w/Ring Includes Piston Kit (1)311096 Ring Set (1)305029
3	CAT1290338	PISTON (DI) (15.0 CR)	10	CAT2114321	SET, Ring Includes Rings (1)305031 (1)305032 (1)305034
3	CAT1684531	PISTON (DI) (16.0 CR)	10	CAT2W1709	SET, Ring Includes Rings (1)305031 (1)305032 (1)305033
3	CAT1548087	PISTON (DI) (17.0 CR)	10	CAT305037	SET, Ring Includes Rings (1)305034 (1)305035 (1)305036
3	CAT4P2654	PISTON, Natural Gas	10	CAT9S3068	SET, Ring Includes Rings (1)305051 (1)305052 (1)305053
3	CAT4N9258	PISTON (DI) (17.5 CR)	10	N/A	SET, Piston Ring Includes Rings (1)305051 (1)305052 (1)305034
4	N/A	KIT, Piston (17.0 CR) Includes Piston (1)311090 Pin (1)311085 Retainers (2)311086	10	N/A	SET, Ring Includes Rings (1)305074 (1)305075 (1)305076
4	N/A	KIT, Piston (15.0 CR) Includes Piston (1)311093 Pin (1)311085 Retainers (2)311086	11	N/A	KIT, Cylinder (PC) (17.5 CR) Includes Piston Kit (1)311098 Liner (1)361611 Seal Kit 1)321227 Ring Set (1)305050
4	N/A	KIT, Piston (16.0 CR) Includes Piston (1)311095 Pin (1)311085 Retainers (2)311086			
4	N/A	KIT, Piston (17.0 CR) Includes Piston (1)311101 Pin (1)311085 Retainers (2)311086			

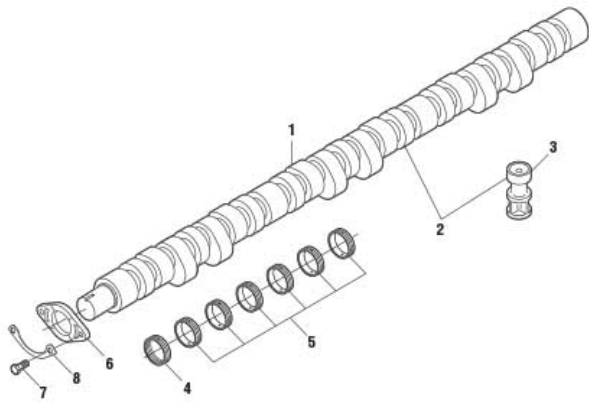
Continued



3306 SERIES SECTION – PISTONS, ROD BEARING AND RING SETS

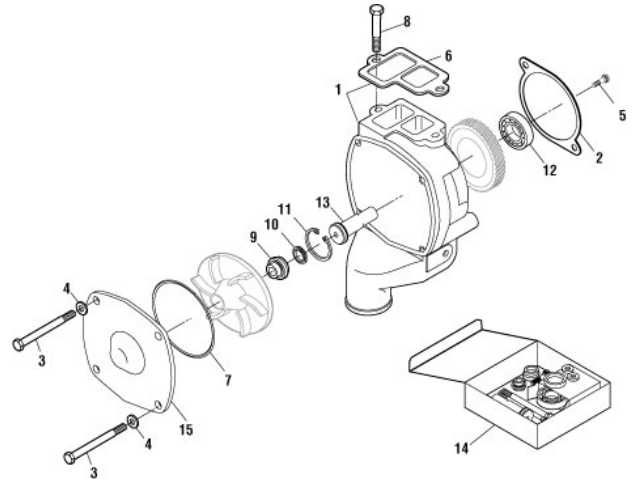
Continued

KEY	OEM REF	DESCRIPTION	KEY	OEM REF	DESCRIPTION
11	N/A	KIT, Cylinder (PC) (17.5 CR) Includes Piston Kit (1)311100 Liner (1)361611 Seal Kit (1)321227 Ring Set (1)305029	15	CAT8N1849	BUSHING, Pin (For 1.7in pin, Taper rod)
11	N/A	KIT, Cylinder Kit (PC) Includes Piston Kit (1)311104 Liner (1)361611 Seal Kit (1)321227 Ring Set (1)305050	15	CAT8N0703	BUSHING, Pin (For 1.7in pin, Straight Rod)
11	N/A	KIT, Cylinder, Industrial Includes Piston Kit (1)311193 Liner (1)361611 Seal Kit (1)321227 Ring Set (1)305054	16	CAT5S2793	ASSEMBLY, Rod
12	N/A	KIT, Cylinder (DI) (17.0 CR) Includes Piston Kit (1)311091 Liner (1)361611 Seal Kit (1)321227 Ring Set (1)305037	16	CAT8N1721	ASSEMBLY, Rod
12	N/A	KIT, Cylinder (DI) (17.0 CR) Includes Piston Kit (1)311102 Liner (1)361611 Seal Kit (1)321227 Ring Set (1)305029	17	CAT4W5739	BEARING, Rod (STD)
12	N/A	KIT, Cylinder (DI) (15.0 CR) Includes Piston Kit (1)311094 Liner (1)361611 Seal Kit (1)321227 Ring Set (1)305029	17	CAT8N8221	BEARING, Rod (.010in)
12	N/A	KIT, Cylinder (DI) (16.0 CR) Includes Piston Kit (1)311096 Liner (1)361611 Seal Kit (1)321227 Ring Set (1)305029	17	CAT8N8222	BEARING, Rod (.020in)
12	N/A	KIT, Cylinder Includes Piston Kit (1)311211 Liner (1)361611 Seal Kit (1)321227 Ring Set (1)305073	17	CAT8N8223	BEARING, Rod (.030in)
13	CAT5S6348	NUT			
14	CAT1P9956	BOLT			
15	CAT8N0702	BUSHING, Pin (For 1.5in pin, Straight Rod)			
15	CAT8N1985	BUSHING, Pin (For 1.5in pin, Taper Rod)			



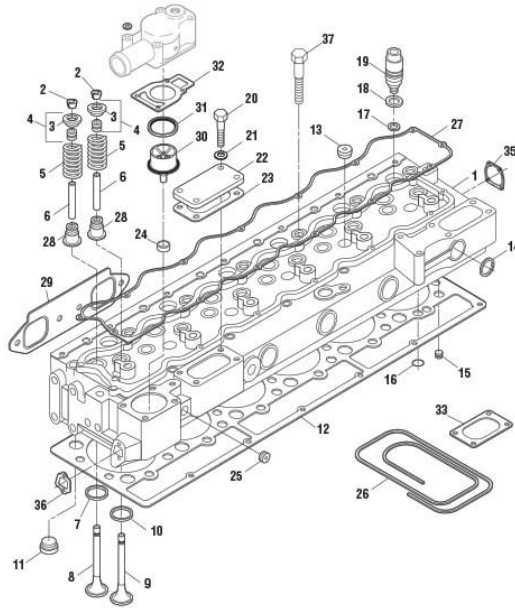
3300 SERIES SECTION – CAMSHAFT

KEY	OEM REF	DESCRIPTION
1	CAT7C3864	CAMSHAFT (3306)
1	CAT7C3862	CAMSHAFT (3304)
2	CAT4P2942	KIT, Camshaft (3306) Includes Camshaft (1)391903 Lifters (12)390061
2	CAT9Y1723	KIT, Camshaft (3304) Includes Camshaft (1)391904 Lifters (8)390061
3	CAT7S3161	LIFTER, Valve
4	CAT8N4110	BEARING, Cam (#1) (3304/3306)
5	CAT7M4046	BEARING, Cam #2-5(3304) #2-7(3306)
6	CAT7S2204	WASHER, Thrust
7	CAT0S0509	BOLT (3/8-16 x .75in)
8	CAT8S1491	LOCK



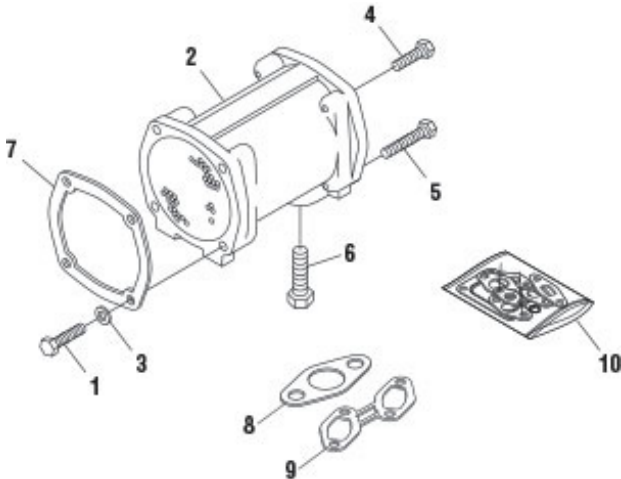
3300 SERIES SECTION – WATER PUMP

KEY	OEM REF	DESCRIPTION
1	CAT2W8001	ASSEMBLY, Water Pump
1	CAT1727760	ASSEMBLY, Water Pump (3306B)
1	CAT1727776	ASSEMBLY, Water Pump
1	CAT1727766	ASSEMBLY, Water Pump
2	MAK56AX398	O-RING
3	CAT0T0055	BOLT (3/8in-16 x 4-1/4in)
4	CAT9X6458	WASHER, Flat
4	ROK1229-K-1597	WASHER
5	CAT6K3771	SCREW (7/16in-14 x 1-1/2in)
5	MAK4AX58	SCREW (3/8in-16 x 7/8in)
6	CAT7N0200	GASKET, Bypass
6	CAT2P0406	GASKET, Bypass (3306)
7	CAT8N5928	GASKET
8	MAK419GC114	SCREW (3/8in-16 x 1/1/4in)
9	CAT1691750	SEAL, Water Pump
10	CAT1544482	SEAL, Water Pump
11	CAT1K6985	RING, Retaining
12	ROK1228-S-201	BEARING, Ball
13	CAT1725185	SHAFT, Water Pump
14	CAT1700569	KIT, Water Pump (3306) Includes Washer (1)340149 Screws (1)340027 (1)ER00950 Seals (1)336007 (1)336008 Bearings (1)940340 (1)EM66010 Shaft (1)381832 Filter (1)350490 Retaining Ring (1)342030
15	CAT8N5929	PLATE, Cover



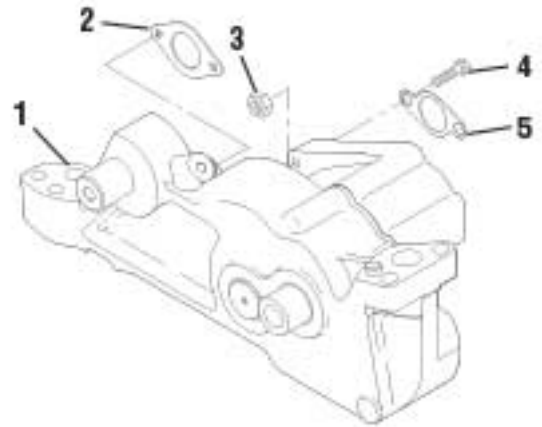
3300 SERIES SECTION – CYLINDER HEAD

KEY	OEM REF	DESCRIPTION	KEY	OEM REF	DESCRIPTION
1	CAT8N1188	HEAD, Cylinder (PC-3304)	15	CAT7N8018	SEAL
1	N/A	HEAD, Cylinder (Loaded-PC-3304)	16	CAT3S5496	O-RING
1	CAT1N4304	HEAD, Cylinder (DI-3304)	17	CAT5M2667	GASKET, Chamber (4.93mm) (PC)
1	N/A	HEAD, Cylinder (Loaded-PC-3304)	17	CAT2S8959	GASKET, Chamber (5.66mm) (PC)
1	CAT8N1187	HEAD, Cylinder (PC-3306)	17	CAT2S8960	GASKET, Chamber (6.3mm) (PC)
1	N/A	HEAD, Cylinder (Loaded-PC-3306)	18	CAT7S3206	SEAL, Chamber (PC)
1	CAT8N6796	HEAD, Cylinder (DI-3306)	19	CAT5S6795	CHAMBER, Assembly (PC)
1	N/A	HEAD, Cylinder (Loaded-DI-3306)	19	CAT9S8679	CHAMBER, Assembly (PC)
2	CAT2A4429	COLLET, Retainer	20	CAT0S1594	SCREW (3/8-16 x 1in)
3	CAT6N7174	SHIELD, Oil (DI)	21	CAT5M2894	WASHER
4	CAT6N7175	ASSEMBLY, Rotocoil w/Shield	22	CAT1P6367	COVER
4	CAT1W5300	ASSEMBLY, Rotocoil w/Shield	23	CAT5S6735	GASKET
4	CAT1031800	ASSEMBLY, Rotocoil w/oShield	24	CAT3P1896	PLUG, Cup (1.39in)
5	CAT7S7144	SPRING, Valve	25	CAT8T6762	PLUG, Pipe (1/2in-14)
5	CAT1032454	SPRING, Valve	26	CAT5P5678	GASKET, Valve Cover (96m) (Use as required)
6	CAT2P1262	GUIDE, Valve (Finished) (PC/DI)	27	CAT1331247	GASKET, Valve Cover (Rubber/Metal)
6	CAT9Y7895	GUIDE, Valve (Finished) (NG)	27	CAT8S1605	GASKET, Valve Cover (Cork)
6	CAT4W9176	GUIDE, Valve (Finished) (NG)	27	CAT8S1606	GASKET, Valve Cover(3304)
7	CAT7N1649	INSERT, Exhaust (STD) (NG)	28	CAT7W9143	SEAL, Valve Guide(NG)
7	CAT1W5321	INSERT, Exhaust (PC)	28	CAT1193036	SEAL, Valve Guide (Late Style)
7	CAT107-0265	INSERT, Exhaust (DI)	29	CAT8S6410	GASKET, Exhaust Manifold (3306)
8	CAT7W7491	VALVE, Exhaust (NG)	29	CAT9Y1979	GASKET, Exhaust Manifold (3306)
8	CAT2W2877	VALVE, Exhaust (NG)	30	CAT7C3095	THERMOSTAT (190 deg)
8	CAT148-7455	VALVE, Exhaust (DI)	30	CAT1118010	THERMOSTAT (175 deg)
8	CAT8N0875	VALVE, Exhaust (PC)	31	CAT3S9643	SEAL
9	CAT1007860	VALVE, Intake (DI)	32	CAT9N3241	GASKET, Thermostat Housing
9	CAT2W2621	VALVE, Intake (Later)	32	CAT7N0944	GASKET, Thermostat Housing
9	CAT7S8809	VALVE, Intake (PC)	33	CAT7W2426	GASKET, Cover
9	CAT7W7490	VALVE, Intake (NG)	33	CAT2W3775	GASKET, Cover
10	CAT1070268	INSERT, Intake	33	CAT6L9691	GASKET, Cover (3306)
11	CAT9Y1798	SEAL, Water (DI)	34	CAT1048585	GASKET, Regulator
11	CAT1S3062	SEAL, Water (PC)	35	CAT2W3679	GASKET, Adapter (Aftercooler)
12	CAT1118015	GASKET, Cylinder Head (3306)	36	CAT2P6132	GASKET, Bypass
12	CAT4P8915	GASKET, Cylinder Head (3304)	37	CAT8S9089	SCREW, Head (1/2in-13 x 4-1/2in Hex Head) (3304, 3306)
12	CAT6N7263	GASKET, Cylinder Head(3306B)	38	CAT5S5918	PUSHROD
12	CAT7N7386	GASKET, Cylinder Head (3304)			
13	CAT3B0623	PLUG			
14	CAT3S8313	PLUG			



3300 SERIES SECTION – OIL COOLER

KEY	OEM REF	DESCRIPTION
1	MAK419GC114	SCREW (3/8in-16 x 1-1/4in)
2	CAT7N0165	COOLER, Oil (3304, 3306)
2	CAT7N0110	COOLER, Oil (3306)
3	ROK1229-K-1597	WASHER
4	CAT1A2029	SCREW (3/8in-16 x 1-1/4in)
5	CAT1T0765	SCREW (3/8in-16 x 1in)
6	MAK37AX1	WASHER
7	CAT5S6051	GASKET, Oil Cooler (Used w/ Oil Cooler 341402)
7	CAT8S5409	GASKET, Oil Cooler
8	CAT2A3541	GASKET, Cooler Inlet (3306)
9	CAT9Y6860	GASKET, Relief Cover (3306)
10	CAT1406137	SET, Oil Cooler Gasket (3306C) Includes Gaskets (1)331584 (1)331523 (1)331525 (1)331526 (1)EGK-3349 (2)331558 (1)331585 O-Rings (2)321239 (4)EGA-3061 (2)321369 (2)321234



3300 SERIES SECTION – OIL PUMP

KEY	OEM REF	DESCRIPTION
1	CAT6I1346	PUMP, Oil (3304, 3306)
1	CAT6I1343	PUMP, Oil (3306)
2	CAT8M0904	GASKET
2	CAT9H2713	GASKET (3306)
3	CAT8S8874	LOCK, Nut
4	ROKS-268-1	SCREW
5	CAT2P8746	GASKET



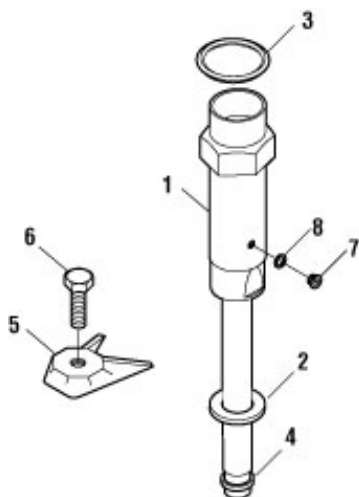
3300 SERIES SECTION – PRIMER PUMP

KEY	OEM REF	DESCRIPTION
1	CAT4W0788	PUMP, Primer (Hand) Includes Gasket (1)331269
1	CAT1375541	PUMP, Primer (Hand-Long Stroke) Includes Gasket (1)331269
2	CAT1P0436	GASKET, Primer



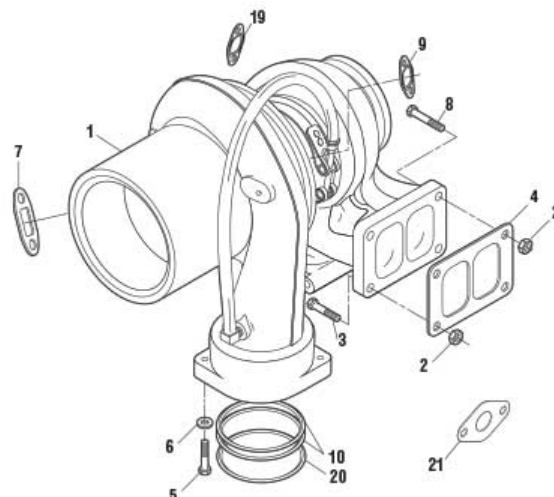
**3300 SERIES SECTION – FUEL COMPONENTS
FUEL LINES**

KEY	OEM REF	DESCRIPTION
	CAT7N2871	TUBE, Fuel
	CAT7N2872	TUBE, Fuel
	CAT7N2873	TUBE, Fuel
	CAT7N2874	TUBE, Fuel
	CAT7N2875	TUBE, Fuel
	CAT7N2876	TUBE, Fuel



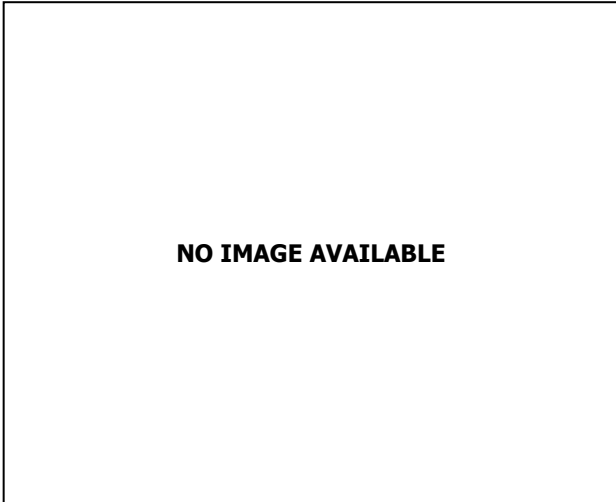
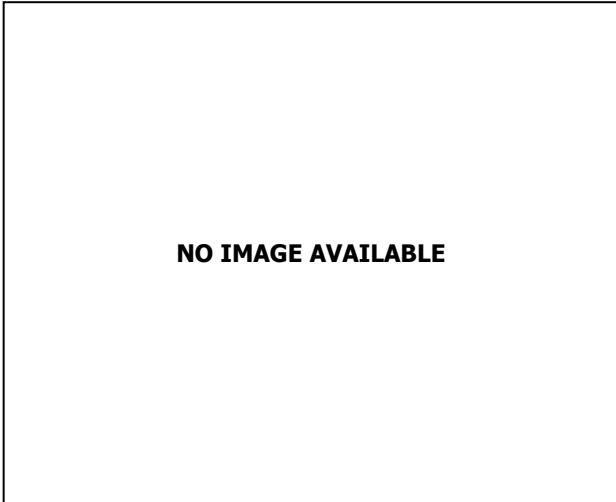
**3300 SERIES SECTION – FUEL COMPONENTS
INJECTION COMPONENTS**

KEY	OEM REF	DESCRIPTION
1	CAT0R4124	INJECTOR
2	CAT7W4486	SEAL, Injector (3300)
2	CAT8N4183	WASHER, Nozzle (3300)
3	CAT6F1069	GASKET / SEAL, Injector
3	CAT7W4482	WASHER, Seal (3300)
4	CAT9L9098	SEAL
5	CAT8N5132	NOZZLE, Hold Down
6	CAT1T0416	BOLT
7	CAT9X2836	SCREW
8	CAT8N4174	SEAL, Injector (3304)
8	CAT1143364	SEAL



3300 SERIES SECTION – TURBOCHARGER

KEY	OEM REF	DESCRIPTION
1	CAT1106980	TURBOCHARGER (3306)
2	CAT2N2766	NUT
3	CAT7L3195	BOLT (3/8in-16 x 1.75in)
4	CAT1S4295	GASKET
4	CAT1P0451	GASKET
4	CAT7M7273	GASKET
5	ROKS-268-1	SCREW (3/8in-16 x 1in)
6	ROK1229-K-1597	WASHER
7	CAT7N7628	GASKET
8	CAT5P7128	BOLT (3/8in-16 x 2in)
9	CAT1986068	GASKET, Oil Pressure Drain (3306)
9	CAT1262702	GASKET, Oil Drain
9	CAT7W2398	GASKET, Oil Drain
9	CAT1886126	GASKET, Oil Drain (3306C)
9	MAK590GB1296A	GASKET, Oil Drain
10	CAT4L8337	O-RING, Intake Hose
11	CAT1142687	O-RING (Not Illustrated)
11	CAT9H6067	O-RING (Not Illustrated)
12	CAT2M9780	O-RING (Not Illustrated)
12	MAK8813-154129	O-RING (Not Illustrated)
13	MAK49AX281	PLUG (Not Illustrated)
14	CAT3J7354	O-RING, Seal (Not Illustrated)
15	CAT0S1608	BOLT (3/8in-16 x 3.75in) (Not Illustrated)
16	CAT1A2029	BOLT (3/8in-16 x 1.25in) (Not Illustrated)
17	MAK37AX1	WASHER (Not Illustrated)
18	CAT3B1915	BOLT (3/8in-16 x 1.375in) (Not Illustrated)
19	CAT7N7559	GASKET, Turbo Supply
19	CAT7N7559	GASKET, Turbo Supply
19	NAV253660R2	GASKET, Turbo Supply
19	MAK56AX356	GASKET, Turbo Supply
20	CAT5H7704	O-RING, Air Inlet
21	CAT4M6480	GASKET

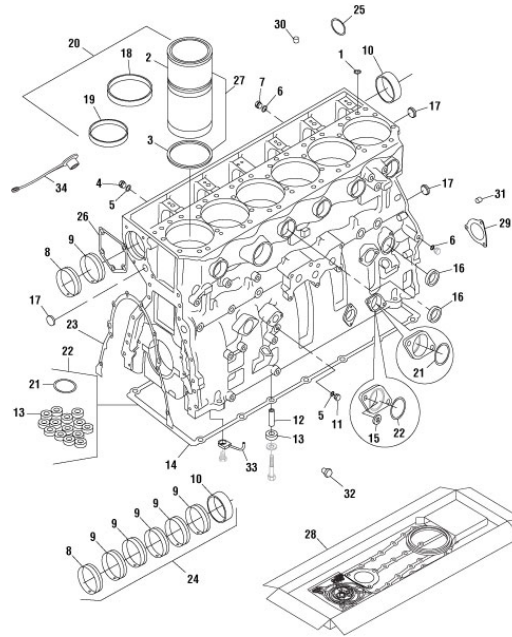


3300 SERIES SECTION – MISCELLANEOUS COMPONENTS

KEY	OEM REF	DESCRIPTION
1	CAT1006178	GASKET, Compressor Mount (3306)
1	CAT2P0220	GASKET, Compressor Mount
1	CAT2A4448	GASKET
1	CAT0L1124	GASKET (3304)
1	CAT4N8207	GASKET
1	CAT2W4561	GASKET
1	CAT4N3841	GASKET
1	CAT1S4382	GASKET
1	CAT8S0877	GASKET
1	CAT9S1274	GASKET, Air Cleaner Housing
1	CAT1N9372	GASKET
1	CAT6L1883	GASKET, Governor (3306 C)
2	CAT5P8118	O-RING, Oil Cooler
2	CAT8M4448	O-RING, Rocker Arm Shaft
2	CAT4L9564	O-RING, Breather
2	CAT6H9691	O-RING, Governor
2	CAT5P9757	O-RING, Governor
2	CAT5P5598	O-RING, Rocker Arm Bracket
2	CAT9F4446	O-RING, Hub
2	CAT8M5248	O-RING
2	CAT8M5253	O-RING
3	CAT5S2106	SEAL, Tension Pulley (3306 B & C)
4	CAT5S4551	SLEEVE, Turbo Oil Control
5	CAT1B9575	SCREW, Hex Head (Oil Pump Filter Base)
6	CAT1N8354	LOCK
6	CAT2F6156	LOCK
6	CAT5S7611	LOCK
6	CAT2A5328	LOCK
6	CAT8M7587	LOCK
6	CAT0T0329	LOCK
6	CAT6H4208	LOCK
7	CAT8H2778	RING, Rectangular
8	CAT1B8705	KEY
9	CAT1117994	COMPRESSOR, Air (3306, B)

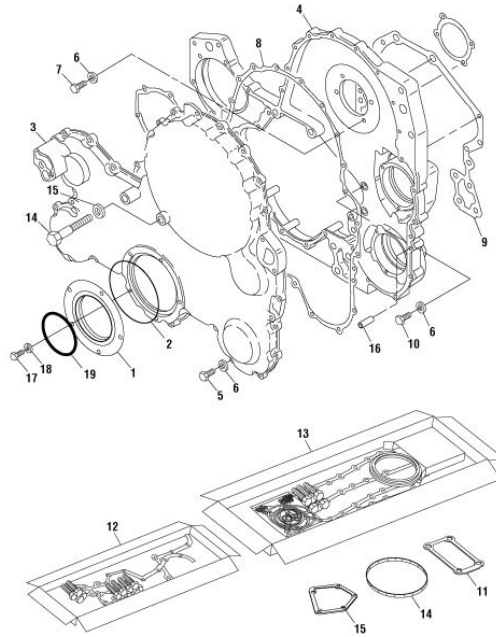
3300 SERIES SECTION – ENGINE GASKET KITS

KEY	OEM REF	DESCRIPTION
1	CAT6V2209	KIT, Upper Gasket (3304)
1	N/A	KIT, Upper Gasket (3304B)
1	N/A	KIT, Upper Gasket (3306B)
1	CAT2348011	KIT, Upper Gasket (3306)
1	CAT1642138	KIT, Upper Gasket (3306)
1	CAT7X2616	KIT, Upper Gasket (3306)
1	CAT6V4705	KIT, Upper Gasket (3306)
1	CAT1551378	KIT, Upper Gasket (3306)
1	CAT9X2224	KIT, Upper Gasket (3306)
1	CAT3E7471	KIT, Upper Gasket (3306-DI)
1	CAT6V2527	KIT, Upper Gasket (3306-PC)
1	CAT1551380	KIT, Upper Gasket (3306-DI)
1	CAT1551379	KIT, Upper Gasket (3306-DI)
1	CAT3E8898	KIT, Upper Gasket (3306-DI)
1	CAT6V2525	KIT, Upper Gasket (3306-PC)
1	CAT8T1622	KIT, Upper Gasket (3306)
1	CAT2347988	KIT, Upper Gasket (3306)
1	CAT5P8766	KIT, Upper Gasket (3306)
2	N/A	KIT, Overhaul Gasket (3306 NG) (Turbo)
2	N/A	KIT, Overhaul Gasket (3306 NG) (Non-Turbo)
2	N/A	KIT, Overhaul Gasket (3306)
2	N/A	KIT, Overhaul Gasket (3306)
2	N/A	KIT, Overhaul Gasket (3306)
2	N/A	KIT, Overhaul Gasket (3304)
2	N/A	KIT, Overhaul Gasket (3304)
2	N/A	KIT, Overhaul Gasket (3304)
2	N/A	KIT, Overhaul Gasket (3306 NG)
2	N/A	KIT, Overhaul Gasket (3306)
2	N/A	KIT, Overhaul Gasket (3306)
2	N/A	KIT, Overhaul Gasket (3304)
2	N/A	KIT, Overhaul Gasket (3304)
2	N/A	KIT, Overhaul Gasket (3304)
2	N/A	KIT, Overhaul Gasket (3304)
2	N/A	KIT, Overhaul Gasket (3304)
2	N/A	KIT, Overhaul Gasket (3304)
3	N/A	KIT, Gasket and Seal (3306B)
4	CAT5P9455	KIT, Lower Gasket (3306)



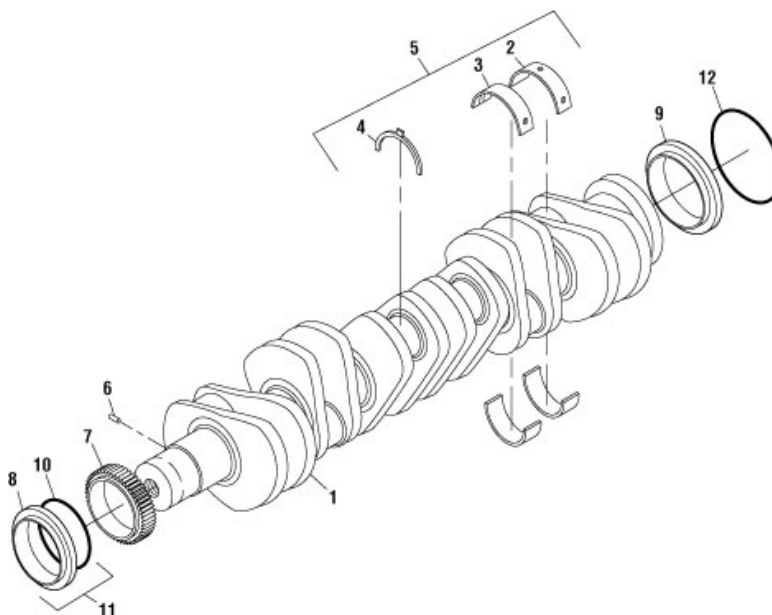
3176, C10, C11, C12 AND C13 SERIES SECTION – CYLINDER BLOCK

KEY	OEM REF	DESCRIPTION	KEY	OEM REF	DESCRIPTION
1	CAT3H2388	O-RING	23	CAT7C1583	GASKET, Flywheel (C12, C13)
2	CAT1979330	LINER, Cylinder (C12)	23	CAT2002284	GASKET, Flywheel
2	CAT1482125	LINER, Cylinder (C10)	24	N/A	KIT, Cam Bearing Includes Bearings (1)351560 (5)351561 (1)351562
2	CAT6I3550	LINER, Cylinder (3176)	25	CAT5P7814	O-RING (Flywheel Housing)
3	CAT104-3560	O-RING, Liner	26	CAT1337068	GASKET, Cam Plate
4	MAK49AX281	PLUG	27	N/A	KIT, Liner (10) Includes Liner (1)361614 O-Ring (1)321295
5	CAT6V5048	O-RING	28	CAT2266620	KIT, Rear Gasket (C12) Includes Gaskets (2)331417 (1)331451 Rear Seal Kit (1)336016 O-Rings (1)121250 (1)321373 (1)321299 (1)321338
6	CAT5P7813	O-RING	28	CAT3142521	KIT, Rear Gasket (C13) Includes Gaskets (1)331417 (1)331451 Seal (1)336034 Plug (1)336049 O-Rings (1)121250 (1)321373 (1)321397 (1)321299 (1)321338 (3)321230
7	CAT1N5999	PLUG	29	CAT4H7869	GASKET, Starter
8	CAT216-5585	BEARING, Rear Cam	30	CAT2097309	PLUG, Block
9	CAT216-5583	BEARING, Intermediate Cam	31	CAT1061565	PLUG, Flywheel Housing
10	CAT1878969	BEARING, Front Cam (C13)	32	CAT1W7573	PLUG, Oil Drain (Magnetic)
10	CAT216-5584	BEARING, Front Cam	33	CAT2741587	NOZZLE, Cooling
11	CUM3040817	O-RING	34	CAT8C3445	CAP, Oil Protection Test Port
12	CAT7E3369	ISOLATOR, Sleeve (3176, C10, C12)			
13	CAT7C8296	ISOLATOR, Oil Pan (3176, C10, C12)			
13	CAT2173674	ISOLATOR, Oil Pan (3176C, C13)			
14	CAT1095308	GASKET, Oil Pan (3176, C10, C12)			
14	CAT2173673	GASKET, Oil Pan (C13)			
15	MAK37AX1	WASHER			
16	CAT4F5695	PLUG			
17	CUM3007635	PLUG			
18	CAT4P9388	SEAL, Crevice (3176)			
19	CAT6I3549	BAND, Liner (3176)			
20	N/A	KIT, Liner (3176) Includes Liner (1)361615 Band (1)321311 Seal (1)321342			
21	CAT5P8211	O-RING			
22	N/A	KIT, Pan Gasket Includes Gasket (1)331219 Isolators (14)331224 O-Ring (1)321322			
22	N/A	KIT, Pan Gasket(C13) Includes Gasket (1)331428 Isolators (14)331259			



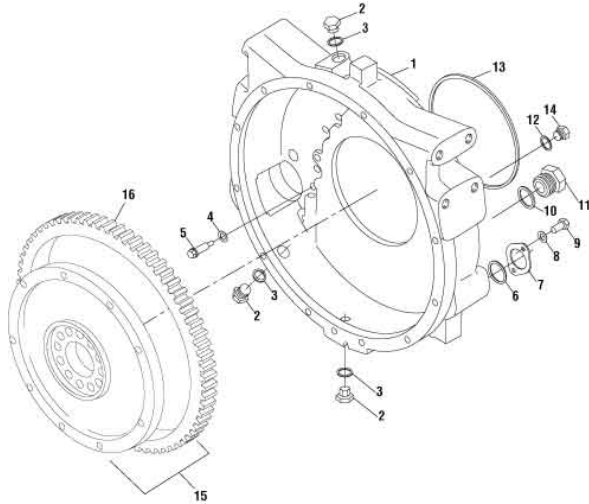
**3176, C10, C11, C12 AND C13 SERIES SECTION –
FRONT COVER**

KEY	OEM REF	DESCRIPTION	KEY	OEM REF	DESCRIPTION
1	CAT1260110	SEAL, Crankshaft	13	CAT2302167	KIT, Front Gasket (C12) Includes Gaskets (1)331465 (1)331279 (1)331466 (1)331472 (2)331382 Gasket Kit (1)331521 Seals (2)136101 (1)136103 (2)EWA-2440 (1)336021 O-Rings (1)121250 (1)321316 (1)821010 (1)321390 (1)321230 (1)321346
2	CAT3H0976	O-RING	13	CAT2302529	KIT, Front Gasket (C12) Includes Gaskets (1)331465 (1)331279 (1)331466 (1)331472 (2)331382 Gasket Kit (1)331521 Seals (2)136101 (1)136103 (2)EWA-2440 (1)336017 O-Rings (1)121250 (1)321316 (1)321346 (1)821010 (1)321390 (1)321230
3	CAT1170194	COVER, Front Housing	14	CAT1292181	GASKET, Air Compressor (C12)
4	CAT1170170	HOUSING, Front	14	CAT6D1004	GASKET, Air Compressor
5	CUM3900677	SCREW (M8 x 1.25 x 30)	14	CAT1170219	GASKET, Air Compressor (C12)
6	MAK37AX1	WASHER	14	CAT2233505	GASKET, Air Compressor (C13)
7	CAT2040714	BOLT (M8 x 1.25 x 40) (C12)	15	CAT1337068	GASKET, Cam Plate
8	CAT1742475	GASKET, Front Cover (C12)	16	CAT6V3538	DOWEL
8	CAT2237852	GASKET, Front Cover (C13)	17	CAT6V8214	BOLT (M6 x 1 x 20)
8	CAT9Y3590	GASKET, Front Cover (3176B)	18	CAT9X8267	WASHER
9	CAT2572015	GASKET, Cover (C13)	19	CAT1441275	SEAL, Front Cover Exciter (C12)
9	CAT2628382	GASKET, Cover (C12)			
9	CAT9Y3593	GASKET, Cover (3176B)			
10	CAT6V3940	BOLT (M8 x 1.25 x 25)			
11	CAT2506591	GASKET, Chamber (C13)			
12	CAT2164781	KIT, Front Cover Gasket (C12) Includes Gasket (1)331520 Screws (13)040049 (13)340041			
13	CAT3136898	KIT, Front Gasket(C13) Includes Gaskets (1)331492 (1)331484 (1)331483 Seal (1)336017 O-Rings (1)GGA-2909 (1)121250 (1)321267 (1)421225 (2)321276 (1)321346 (2)321375 (1)321231 (1)EGA-3875 (1)321229 (1)321239 (2)EGA-3061 (1)321398 (2)321257 (1)321403 (1)321393 (1)121284 (1)821010 (1)321223 (3)321374 (3)321230 (1)321390 (1)321326			



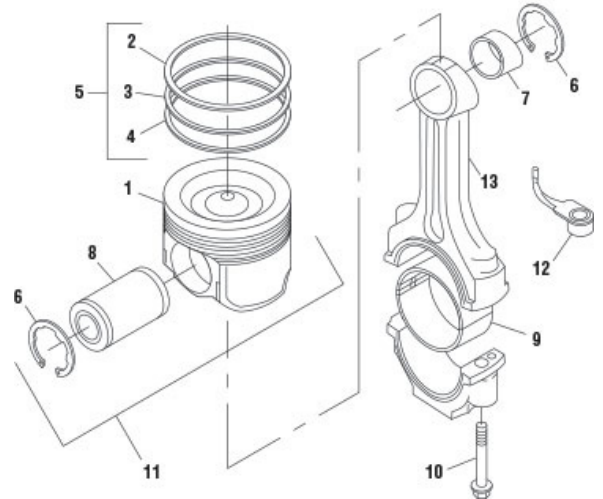
**3176, C10, C11, C12 AND C13 SERIES SECTION –
 CRANKSHAFT**

KEY	OEM REF	DESCRIPTION	KEY	OEM REF	DESCRIPTION
1	CAT1512922	CRANKSHAFT	5	N/A	SET, Main Bearing (.030) Includes Bearings (4)370219 (3)370213 Thrust Washers (2)370222
2	CAT7W4107	BEARING, Main (STD) (3176)	6	CAT6V3536	DOWEL
2	CAT7E7727	BEARING, Main (.20in) (3176)	7	CAT1422030	GEAR, Crankshaft
2	CAT7E7728	BEARING, Main (.030in) (3176)	8	CAT1694166	SEAL, Front (C12, C13)
2	CAT2110588	BEARING, Main (STD)	8	CAT1260110	SEAL, Front (C10, C13)
2	CAT1280382	BEARING, Main (.020)	8	CAT1441264	SEAL, Front (C12)
2	CAT1280383	BEARING, Main (.030)	8	CAT9Y0821	SEAL, Front
2	CAT1280384	BEARING, Main (.020 OD)	9	CAT7C1728	SEAL, Rear Kit (C10, C12, C13)
2	CAT1280385	BEARING, Main (.020 ID/.020 OD)	9	CAT1005421	SEAL, Rear (C10, C12, C13)
3	CAT9Y4033	BEARING, Main (STD)(3176)	9	CAT9Y0810	SEAL, Rear
3	CAT7E7723	BEARING, Main (.020in)(3176)	10	CAT2203373	RING, Rectangular (C10, C12, C13)
3	CAT7E7724	BEARING, Main (.030in)(3176)	11	CAT2264755	KIT, Front Crankshaft Seal (C10, C12, C13) Includes Seal (1) 336017 Ring (1) 321346
3	CAT2110587	BEARING, Main (STD)	12	CAT1076280	O-RING, Rear Seal Housing
3	CAT1280400	BEARING, Main (.020)			
3	CAT1280401	BEARING, Main (.030)			
3	CAT1280402	BEARING, Main (.020 OD)			
3	CAT1280403	BEARING, Main (.020 ID/.020 OD)			
4	CAT1105138	BEARING, Thrust (STD)(3176)			
4	CAT2463144	WASHER, Thrust (STD)			
5	N/A	SET, Main Bearing (STD) (3176) Includes Bearings (4)370196 (3)370190 Thrust Bearings (2)370202			
5	N/A	SET, Main Bearing (.020in) (3176) Includes Bearings (4)370198 (3)370192 Thrust Bearings (2)370202			
5	N/A	SET, Main Bearing (.030in) (3176) Includes Bearings (4)370199 (3)370193 Thrust Bearings (2)370202			
5	CAT2436717	SET, Main Bearing (STD) Includes Bearings (4)370216 (3)370210 Thrust Washers (2)370222			
5	N/A	SET, Main Bearing (.020) Includes Bearings (4)370218 (3)370212 Thrust Washers (2)370222			



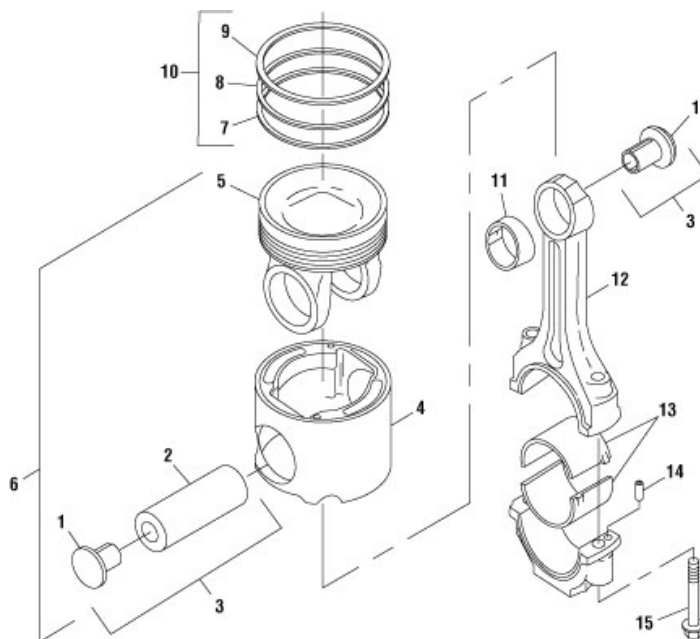
3176, C10, C11, C12 AND C13 SERIES SECTION – FLYWHEEL HOUSING

KEY	OEM REF	DESCRIPTION
1	CAT1481973	HOUSING, Flywheel
2	CAT1P1669	PLUG, Seal
3	CAT8L2786	O-RING, Plug
4	CAT 5P8245	WASHER
5	CAT6V8197	BOLT (M12 x 1.75 x 40)
6	CAT061-9455	O-RING
7	CAT7C1445	COVER
8	CAT9M1974	WASHER (8.8 x 16 x 2mm)
9	CATV5219	BOLT (M8 x 1.25 x 40)
10	CAT5P7701	O-RING
11	CAT9S9334	PLUG
12	CAT5P7814	O-RING
13	CAT5D9344	O-RING
14	CAT3K8460	PLUG
15	CAT2903280	FLYWHEEL Assembly
16	CAT4N2514	GEAR, Ring (Used w/ 360511 Flywheel)



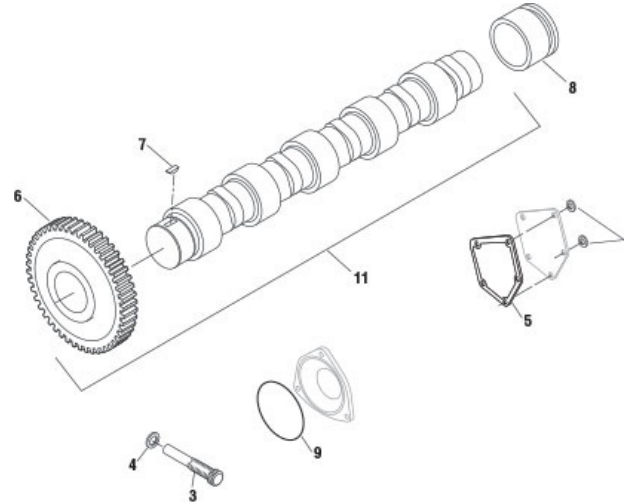
3176, C10, C11, C12 AND C13 SERIES SECTION – PISTONS, ROD BEARINGS AND RING SET C11 AND C13 ONE PIECE PISTON

KEY	OEM REF	DESCRIPTION
1	CAT3220329	PISTON (C13)
1	CAT1979381	PISTON (C11)
1	CAT3223146	PISTON (C13)
2	CAT2382717	RING, Compression
2	CAT4349019	RING, Compression
3	CAT1979257	RING, Intermediate
3	CAT3003086	RING, Intermediate
4	CAT2382704	RING, Oil Control
4	CAT2651113	RING, Oil Control
5	N/A	SET, Piston Ring Includes Rings (1)305065 (1)305066 (1)305072
5	N/A	SET, Ring (Used with 197-9383 Piston) Includes Rings (1)305065 (1)305066 (1)305049
5	N/A	SET, Piston Ring (C13)(322-0329 Piston)(311165) Includes Rings (1)305070 (1)305071 (1)305072
6	CAT1979326	RETAINER
7	CAT1152972	BUSHING, Pin
8	CAT1979327	PIN, Piston
9	CAT1161089	BEARING, Rod (STD)
9	CAT1280395	BEARING, Rod (.020)
9	CAT1280396	BEARING, Rod (.030)
10	CAT1152973	BOLT, Connecting Rod
11	N/A	KIT, Piston(C13) Includes Piston (1)311165 Pin (1)311079 Retainers (2)311089
11	N/A	KIT, Piston (C11) Includes Piston (1)311170 Pin (1)311079 Retainers (2)311089
12	CAT2767222	NOZZLE, Piston Cooling
13	CAT2239150	ROD, Connecting



**3176, C10, C11, C12 AND C13 SERIES SECTION –
PISTONS, ROD BEARINGS AND RING SET C10 AND C12
TWO PIECE PISTON**

KEY	OEM REF	DESCRIPTION	KEY	OEM REF	DESCRIPTION
1	CAT1138999	BUTTON, Pin (C12) (sold as 311083 Assembly)	8	CAT1979257	RING, Intermediate (C13)
1	CAT6I2720	BUTTON, Pin (C10) (sold as 311088 Assembly)	8	CAT1979249	RING, Intermediate (C10)
2	CAT1687296	PIN (C12) (sold as 311083 Assembly)	9	CAT1979341	RING, Compression (C12)
2	CAT168-7276	PIN (C10) (sold as 311088 Assembly)	9	CAT9S3029	RING, Compression (C10)
3	CAT1979251	ASSEMBLY, Piston Pin (C12) Pin (1)311082 Buttons (2)311081	9	CAT1095318	RING, Compression (C10)
3	CAT1979335	ASSEMBLY, Piston Pin (C10) Pin (1)168-7276 Buttons (2)6I2720	9	CAT2382717	RING, Compression (C13)
4	CAT2382712	SKIRT, Piston (C12)	10	N/A	SET, Piston Ring (C12) Includes Rings (1)305047 (1)305048 (1)305049
4	CAT2382710	SKIRT, Piston (C10)	10	N/A	SET, Piston Rings (C10) Includes Rings (1)305061 (1)305062 (1)305063
5	N/A	CROWN, Piston (C12) (Updated to 311252)	10	N/A	SET, Piston Rings (C13) Includes Rings (1)305049 (1)305065 (1)305066
5	CAT1979358	CROWN, Piston(C10)	10	N/A	SET, Piston Rings (C10) Includes Rings (1)305061 (1)305067 (1)305063
5	CAT4P5852	CROWN, Piston (C10)	11	CAT1152972	BUSHING, Pin (C12)
5	CAT1442948	CROWN, Piston(C12) (w/o Pin Bushing)(Replaces 311152)	11	CAT7W5844	BUSHING, Pin (C10)
6	N/A	KIT, Piston (C12) (Updated to 311257) (w/o Pin Bushing) Includes Crown (1)311152 Skirt (1)311156 Pin Assembly (1)311083	12	CAT1139016	ROD, Connecting (C12)
6	N/A	KIT, Piston (C10/3176) Includes Crown (1)311158 Skirt (1)311157 Pin (1)311088	12	CAT1556629	ROD, Connecting (C10)
6	N/A	KIT, Piston (C12) (w/o Pin Bushing) (Replaces 311153) Includes Crown (1)311252 Skirt (1)311156 Pin Assembly (1)311083	13	CAT2170577	BEARING, Rod (STD) (C10)
7	CAT2382704	RING, Oil (C12)	13	CAT1280390	BEARING, Rod (.020) (C10)
7	CAT4P1659	RING, Oil (C10)	13	CAT1280391	BEARING, Rod (.030) (C10)
8	CAT2168570	RING, Intermediate (C12)	13	CAT1161089	BEARING, Rod (STD) (C12)
8	CAT1095319	RING, Intermediate (C10)	13	CAT1280395	BEARING, Rod (.020) (C12)
			13	CAT1280396	BEARING, Rod (.030) (C12)
			13	CAT4P8167	BEARING, Rod (STD) (3176)
			13	CAT7E7721	BEARING, Rod (.20in) (3176)
			13	CAT7E7722	BEARING, Rod (.030in) (3176)
			14	CAT7N2043	DOWEL, Connecting Rod
			15	CAT1152973	BOLT, Connecting Rod (C12)
			15	CAT7C8639	BOLT, Connecting Rod (C10)

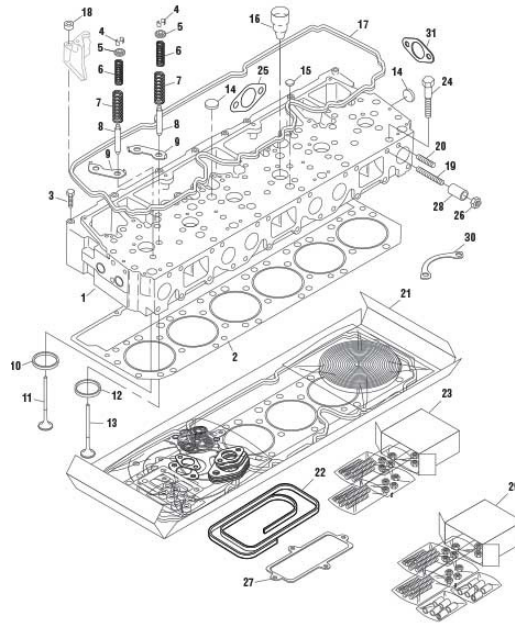


3176, C10, C11, C12 AND C13 SERIES SECTION – CYLINDER KIT

3176, C10, C11, C12 AND C13 SERIES SECTION – CAMSHAFT

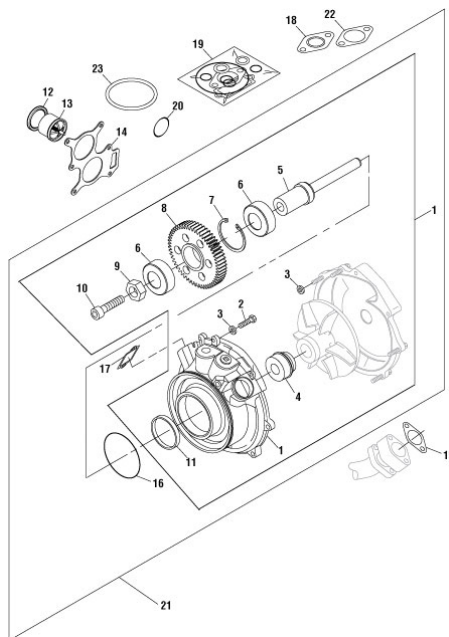
KEY	OEM REF	DESCRIPTION
1	CAT0R2832	KIT, Cylinder (3176) (2 pc Piston) Includes Piston Kit (1)311159 Liner Kit (1)361608 Ring Set (1)305060
1	N/A	KIT, Cylinder (C11) (1 pc Piston) Includes Piston Kit (1)311171 Liner (1)361613 O-Ring (1)321295 Ring Set (1)305064
1	N/A	KIT, Cylinder (C10) (2 pc Piston) Includes Piston Kit (1)311159 Liner (1)361614 O-Ring (1)321295 Ring Set (1)305060
1	N/A	KIT, Cylinder (C12) (2 pc Piston) (Upgraded to 301022) Includes Piston Kit (1)311153 Liner (1)361613 O-Ring (1)321295 Ring Set (1)305046
1	N/A	KIT, Cylinder (C13) (1 pc Piston) Includes Piston Kit (1)311166 Liner (1)361613 O-Ring (1)321295 Ring Set (1)305069
1	N/A	KIT, Cylinder (C12) (2 pc Piston) (Replaces 301020) Includes Piston Kit (1)311257 Liner (1)361613 O-Ring (1)321295 Ring Set (1)305046

KEY	OEM REF	DESCRIPTION
1	CAT3330379	CAMSHAFT (C12)
1	CAT100-7762	CAMSHAFT (3176)
1	CAT6I1602	CAMSHAFT (3176B)
1	CAT129-2888	CAMSHAFT (C10)
1	CAT230-0065	CAMSHAFT (C13)
2	MAK37AX1	WASHER
3	CAT178-3643	THRUST, Pin (C10, C12)
3	CAT7C0317	THRUST, Pin (3176, 3176B)
4	CUM3963988	WASHER
5	CAT1337068	GASKET, Camshaft Cover (C10, C12)
6	CAT1337100	GEAR, Camshaft (96 Teeth) (C12)
6	CAT7E8428	GEAR, Camshaft (96 Teeth) (3176)
6	CAT6I3733	GEAR, Camshaft (96 Teeth) (3176)
6	CAT222-3907	GEAR, Camshaft (96 Teeth) (C11, C13)
7	CAT1B8705	KEY
8	CAT128-0411	JOURNAL, Rear (C10, C12)
8	CAT7C4963	JOURNAL, Rear (3176, 3176B)
9	CAT8C3089	O-RING, Camshaft Cover (3176, 3176B)
9	NAV1819250C3	O-RING, Camshaft Cover (C11, C13)
10	CAT223-7471	THRUST, Camshaft Plate (C11, C13)
11	CAT1364335	CAMSHAFT (C12) Includes Camshaft (1)391898 Gear (1)391890 Key (1)340125
11	CAT223-7464	ASSEMBLY, Camshaft (C11) Includes (1)Camshaft (1)Key (1)Gear (1)Thrust
11	CAT223-7467	ASSEMBLY, Camshaft (C13) Includes (1)Camshaft (1)Key (1)Gear (1)Thrust



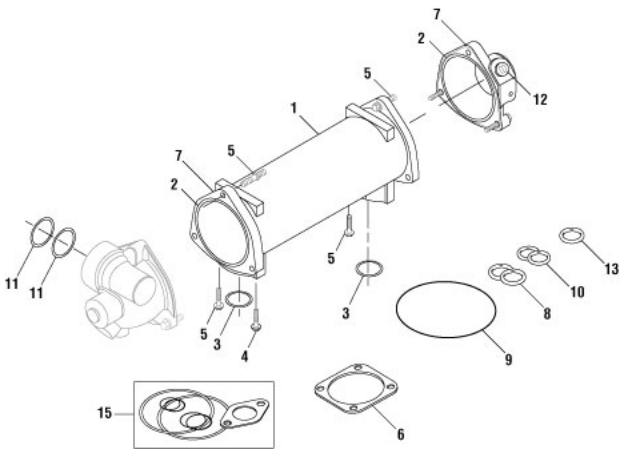
**3176, C10, C11, C12 AND C13 SERIES SECTION –
CYLINDER HEAD**

KEY	OEM REF	DESCRIPTION	KEY	OEM REF	DESCRIPTION
1	CAT1799458	ASSEMBLY, Head	19	CAT2245422	STUD, Exhaust Manifold (M10 x 1.5 x 135)
2	CAT2219392	GASKET, Head (C13)	20	CAT9X8281	STUD, Exhaust Manifold (M10 x 1.5 x 45)
2	CAT1873306	GASKET, Head (w/ Scalloped Edge) (C12)	20	CAT2245445	STUD, Exhaust Manifold (M10 x 1.5 x 75)
2	CAT1873307	GASKET, Head (w/ Straight Edge) (C12)	21	CAT3164416	KIT, Head Gasket
2	CAT1193790	GASKET, Head (3176)	21	CAT3164396	KIT, Head Gasket
3	CAT2104460	SCREW, Cylinder Head (M10 x 1.5 x 130)	22	CAT5P5678-3	GASKET, Valve Cover (3M)
3	CAT1293184	BOLT, Cylinder Head (M16 x 2 x 160)	23	N/A	KIT, Exhaust Manifold Stud Includes Studs (12)340115 Nuts (12)340062
3	CAT1787508	BOLT, Cylinder Head (M16 x 2 x 160 w/ Stud Top)(C12)	24	CAT2421811	BOLT, Cylinder Head (C13) (M16 x 2 x 220 Hex Head)
3	CAT6V9607	BOLT, Cylinder Head (M8 x 1.25 x 120)	25	CAT1095313	GASKET, Exhaust Manifold (C10, C12)
4	CUMS-2037	COLLET	25	CAT2303518	GASKET, Exhaust Manifold (C13)
5	CAT1632478	SEAL, Valve (C12)	25	CAT2509274	GASKET, Exhaust Manifold (C13)
5	CAT7E7977	ROTATOR, Valve	25	CAT2832238	GASKET, Exhaust Manifold (C13)
6	CAT2244441	SPRING, Inner	25	CAT3337735	GASKET, Exhaust Manifold (C13)
7	CAT2140586	SPRING, Inner	26	CAT9X6620	NUT
8	CAT1008150	GUIDE, Valve	27	CAT9Y1758	GASKET, Breather
8	CAT2682953	GUIDE, Valve (C13)	28	CAT4P4369	SPACER, Exhaust Manifold (19mm OD x 12mm ID x 23.5 lg)
9	CAT611638	BASE, Injector	28	CAT2245450	SPACER, Exhaust Manifold (C11, C13)
10	CAT1799453	INSERT, Exhaust Valve	29	N/A	KIT, Stud (C11, C13) Includes Spacers (9)340136 (2)340139 Studs (1)340119 (2)340118 (9)340015 Nuts (12)340062
10	CAT2241270	INSERT, Exhaust Valve (C13)	29	N/A	KIT, Stud (C13) Includes Spacers (12)340136 Studs (12)340115 Nuts (12)340062
11	CAT1337029	VALVE, Exhaust	29	N/A	KIT, Stud (C11) Includes Spacers (11)340136 Studs (12)340115 (1)340119 Nuts (12)340062
11	CAT2243030	VALVE, Exhaust (C13)	29	N/A	KIT, Stud (C11) Includes Spacers (10)340136 Studs (10)340115 (2)340119 Nuts (12)340062
12	CAT2604855	SEAT, Intake Valve (C13)	30	CAT4P8278	LOCKPLATE, Exhaust (3176)
12	CAT1799454	SEAT, Valve (Intake)	31	CAT1182797	GASKET, Water Rail
13	CAT7E9578	VALVE, Intake (3176)	32	CAT341-8889	PUSHROD, Injector (3176, C10, C12)
13	CAT1929213	VALVE, Intake	33	CAT341-8888	PUSHROD, Valve (3176, C10, C12)
13	CAT2243028	VALVE, Intake (C13)			
14	CUM3007635	PLUG, Cup			
15	CAT6V7604	PLUG, Cup			
16	CAT1161102	SLEEVE, Injector			
16	CAT2634920	SLEEVE, Injector (C13)			
16	CAT2260262	SLEEVE, Injector (C13)			
17	CAT1095309	GASKET, Valve Cover			
17	CAT2720389	GASKET, Valve Cover (C13)			
17	CAT2295711	GASKET, Valve Cover (C13)			
18	CAT7C8292	ISOLATOR, Valve Cover			
18	CAT2127728	ISOLATOR, Valve Cover (C13)			
19	CAT1163715	STUD, Exhaust Manifold (M10 x 1.5 x 85)			



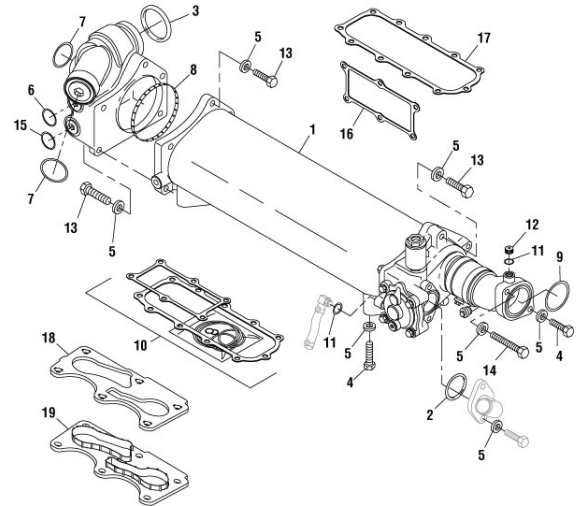
3176, C10, C11, C12 AND C13 SERIES SECTION – WATER PUMP

KEY	OEM REF	DESCRIPTION	KEY	OEM REF	DESCRIPTION
1	CAT1767000	PUMP, Water Assembly (C10, C12)	19	CAT1473774	SET, Water Pump Gasket (3176) Includes O-Rings (1)321424 (1)321422 (1)321390
1	CAT2285811	PUMP, Water Assembly			(1)321388 (1)121250 (2)321386 (1)321358
1	CAT1025844	PUMP, Water Assembly (3176) Includes Water Pump (1)381819-100 Installation Gasket Kit (1)331591			Gaskets (1)331592 (1)331476 (1)331589 (1)331593 (1)331590
2	CAT6V5221	BOLT (M8 x 1.25 x 80)	20	CAT2275075	GASKET, Thermostat Housing (C13)
3	MAK37AX1	WASHER	21	N/A	KIT, Water Pump Includes Water Pump Assembly (1)381814 O-Rings (2)321386 (1)321390 Gasket (1)331498
4	CAT147-5088	SEAL	22	CAT7C2591	GASKET (3176)
5	CAT176-6997	SHAFT, Pump	23	CAT7X4752	O-RING (3176)
6	MAK46AX64	BEARING	23	CAT5S1105	O-RING (3176)
7	CAT8T9598	RING, Retaining	23	CAT8T9588	O-RING (3176)
8	CAT9Y3513	GEAR (14 Teeth)			
9	CAT176-6994	WASHER			
10	CAT8T9515	BOLT (M10 x 1.5 x 40)			
11	CAT6V9027	O-RING (to Oil Cooler)			
12	MAK447GC216A	SEAL, Thermostat			
13	CAT7C3095	THERMOSTAT (Non-Vented 190°)			
13	CAT2848264	THERMOSTAT (Vented 190°)			
14	CAT1314164	GASKET, Regulator Cover			
14	CAT7E7912	GASKET, Thermostat			
15	CAT7E5555	GASKET			
16	CAT6V7350	O-RING			
17	CAT1011635	GASKET (C10, C12)			
17	CAT4P1652	GASKET (3176)			
17	CAT9Y4370	GASKET (3176)			
18	CAT1008525	GASKET			
19	CAT3156714	SET, Water Pump Gasket Includes Gaskets (1)331476 (1)331477 (1)331478 O-Rings (3)321385 (2)321386 (1)321390			
19	CAT3136851	SET, Water Pump Gasket (C11) Includes Gaskets (1)331494 (1)331461 O-Rings (1)321396 (5)121284 (2)321385 (1)321402 (1)321390 (2)321319 (2)321386			



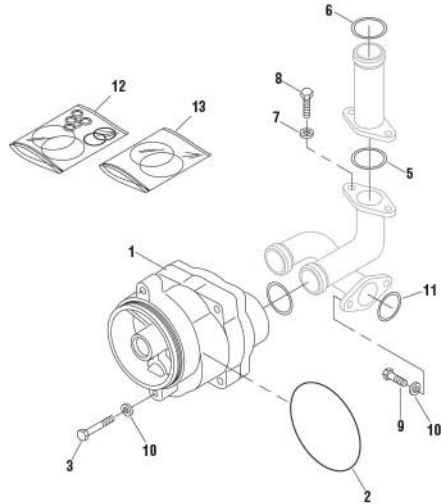
3176, C10, C11, C12 AND C13 SERIES SECTION – OIL COOLER – C10 AND C12

KEY	OEM REF	DESCRIPTION
1	CAT1154517	COOLER, Oil (C12)
1	CAT4P3754	COOLER, Oil (3176, C10)
2	CUM3102500	O-RING
3	CAT0617540	O-RING
4	CUM3900677	SCREW (M8 x 1.25in x 30)
5	MAK37AX1	WASHER
6	CAT1292861	GASKET, Oil Cooler
7	CAT1433009	KIT, Installation O-Ring Includes O-Rings (2)321298 (1)GGA-2909 (2)121292 (2)321370 (2)321257 (1)321322 (1)321371 (1)321372 (2)321339 (1)821010 (3)621240 (3)321374 (1)321319 (1)121308 (1)321326 (1)321230 Gaskets (2)331452
7	CAT1933322	KIT, Installation O-Ring Includes O-Rings (2)321298 (1)GGA-2909 (2)121292 (2)321370 (2)321257 (1)321371 (2)321339 (1)821010 (3)621240 (3)321374 (1)121308 (1)321326 (2)321388
8	CAT5S9134	O-RING (Oil Filter Base)
9	CAT6D7146	O-RING (Oil Pump)
10	CAT8S5409	GASKET, Oil Cooler (C12)
10	CAT4P1651	GASKET, Oil Cooler (3176)
11	CAT2N5243	O-RING
12	MAK49AX235	PLUG
13	CUM3678756	O-RING, Filter Base
14	CAT6V3831	O-RING, Filter Base
15	CAT4158665	KIT, Oil Cooler Gasket (3176C) Includes Gasket (1)331478 O-Rings (2)321298 (2)121292 (2)321405 (1)321319



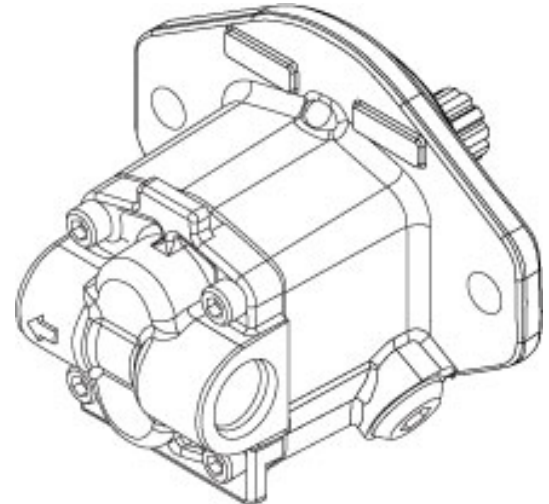
3176, C10, C11, C12 AND C13 SERIES SECTION – OIL COOLER – C11 AND C13

KEY	OEM REF	DESCRIPTION
1	CAT2368745	COOLER, Oil (C11, C13)
2	CAT2263571	O-RING
3	CAT2N0475	O-RING
3	CAT2N5243	O-RING
4	CUM3900677	SCREW (M8 x 1.25 x 30)
5	MAK37AX1	WASHER
6	CUM3040817	O-RING
7	CAT6V5064	O-RING
8	CAT2246360	GASKET, Housing Cooler
9	CAT2242675	GASKET, Oil Cooler
10	CAT3139549	KIT, Oil Cooler Gasket Includes Gaskets (1)331487 (1)331485 O-Rings (2)121220 (2)321239 (1)321279 (1)321270
10	CAT2655324	KIT, Oil Cooler Gasket Includes O-Rings (1)GGA-2909 (1)121250 (2)321276 (1)321400 (2)321370 (2)321405 (1)EGA-3875 (7)321229 (2)321294 (1)321371 (2)321393 (3)121284 (1)321385 (3)321402 (1)321374 (3)321319 (1)321326 Seals (1)331494 (1)331489 (2)331493 Gasket (1)331488
10	CAT3178084	KIT, Oil Cooler Gasket (C11) Includes O-Rings (1)GGA-2909 (1)121250 (3)321276 (1)321400 (2)321405 (1)EGA-3875 (2)321294 (3)321299 (1)321371 (2)321393 (3)121284 (1)321223 (1)321385 (3)321402 (1)321374 (3)321319 (1)321326 Gaskets (1)331489 (2)331493 (1)331488
11	CAT6V9027	O-RING
12	MAK49AX281	PLUG
13	CAT6V5219	BOLT (M8 x 1.25 x 40)
14	CAT6V5221	BOLT (M8 x 1.25 x 80)
15	CAT6V5063	O-RING
16	CAT2426057	GASKET, Housing
17	CAT2418261	GASKET, Cover
18	CAT2274892	GASKET, Oil Filter Base (Early Style)
19	CAT2246357	GASKET, Base Filter



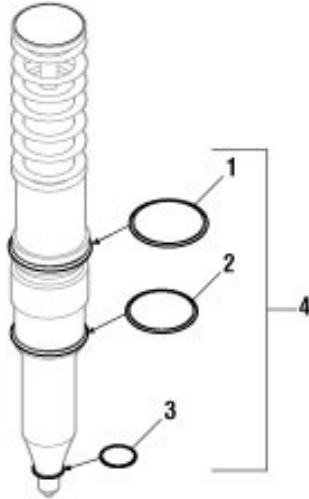
**3176, C10, C11, C12 AND C13 SERIES SECTION –
C12 SECTION – OIL PUMP**

KEY	OEM REF	DESCRIPTION
1	CAT2231608	PUMP, Lube (C13)
1	CAT2335220	PUMP, Oil (C12)
2	CAT6V3834	O-RING
3	CAT6V5221	BOLT (M8 X 1.25 X 80mm)
4	CAT5P8068	O-RING
5	CAT0618561	O-RING
6	CAT6V5134	O-RING
7	CAT3E4352	WASHER
8	CAT6V2317	SCREW
9	CAT3E8016	BOLT (M8 x1.25 x 25mm)
10	CAT9M1974	WASHER
11	CAT8J4351	O-RING
12	CAT7X7975	Includes O-Rings (1)GGA-2909 (2)321257 (1)321372 (1)821010 (3)321374 (1)321326
12	CAT2655326	KIT, O-Ring (C13) Includes O-Rings (1)GGA-2909 (1)121250 (1)EGA-2875 (2)321257 (1)321372 (1)821010
13	CAT6D7146	O-RING



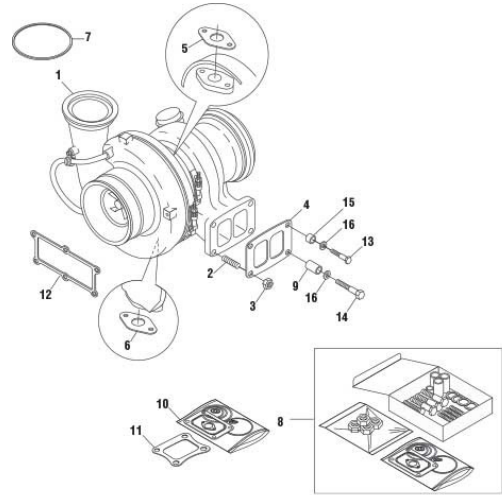
**3176, C10, C11, C12 AND C13 SERIES SECTION –
FUEL COMPONENTS – FUEL SUPPLY PUMP**

KEY	OEM REF	DESCRIPTION
1	CAT3848611	PUMP, Fuel Supply



3176, C10, C11, C12 AND C13 SERIES SECTION – FUEL COMPONENTS – FUEL INJECTOR COMPONENTS

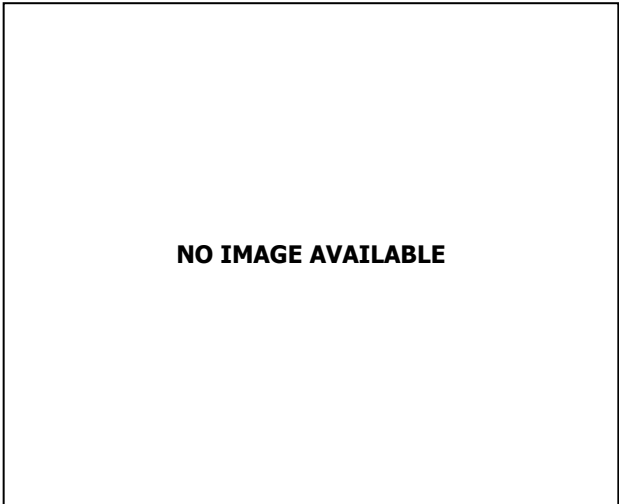
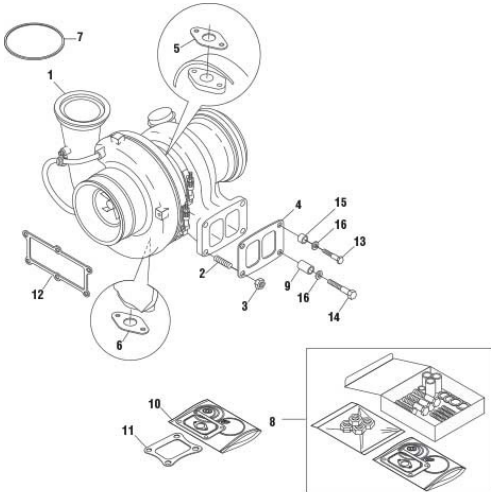
KEY	OEM REF	DESCRIPTION
1	CAT2303775	O-RING, Injector (C13)
1	CAT2153198	O-RING, Injector (C10, C12)
1	CAT2373800	O-RING, Injector (3176)
2	CAT9X7418	O-RING, Injector (C10, C12)
2	CAT2303728	O-RING, Injector (C13)
2	CAT9X7722	O-RING, Injector (3176)
3	CAT9X7317	O-RING, Injector (C10, C12)
4	CAT2481394	KIT, Injector O-Ring (C13) Includes O-Rings (1)321282 (1)321327 (1)321284
4	CAT2245797	KIT, Injector O-Ring (C10, C12) Includes O-Rings (1)321282 (1)321283 (1)321296
4	CAT2235850	KIT, Injector O-Ring (3176) Includes O-Rings (1)321335 (1)321428 (1)321282



3176, C10, C11, C12 AND C13 SERIES SECTION – TURBOCHARGER

KEY	OEM REF	DESCRIPTION
1	CAT1906210	TURBOCHARGER (C12)
1	CAT1649493	TURBOCHARGER (C12)
2	CAT9X8281	STUD, Turbocharger Mounting (M10 x 1.5 x 45)
2	CAT2459750	STUD, Turbocharger Mounting (M10 x 1.5 x 50)
3	CAT9X6620	NUT, Turbocharger
4	CAT1S4295	GASKET, Turbocharger
4	CAT2746851	GASKET, Turbocharger (C13)
4	CAT2480840	GASKET, Turbocharger (C11)
4	CAT1P0451	GASKET, Turbocharger
5	CAT1978419	GASKET, Turbocharger Drain
6	CAT1978418	GASKET, Oil Feed
7	CAT2245426	GASKET, Air Inlet
8	CAT3178751	KIT, Turbocharger Gasket Includes Gaskets (1)331274 (1)331469 (1)331329 O-Rings (1)321270 (2)321276 (1)321383 (1)321231 (1)321379 (1)121265 (1)321279 (2)EF30130 Screws (1)340042 (3)340043 Spacers (1)340137 (3)340138 Studs (4)340117 Washers (4)ER01850 Nuts (4)340062
9	CAT2379160	SPACER, Turbo(C11) (19mm x 11mm x 37mm)
10	CAT3612578	KIT, Installation (C13) Includes Gaskets (1)331276 (1)331274 (1)331356 (1)331469 (1)331454 O-Rings (1)321270 (2)321276 (1)321383 (2)321231 (1)321379 (1)321223 (1)121265 (1)321279 (2)EF30130
10	CAT3139551	KIT, Installation (C13) Includes Gaskets (1)331276 (1)331274 (1)331469 (1)331329 (1)331485 O-Rings (1)321270 (1)321276 (1)321383 (1)321231 (1)321379 (1)321223 (1)121265 (2)EF30130 (1)321399 (1)321239

Continued



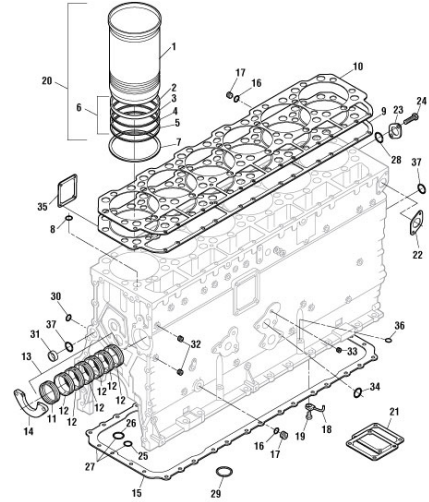
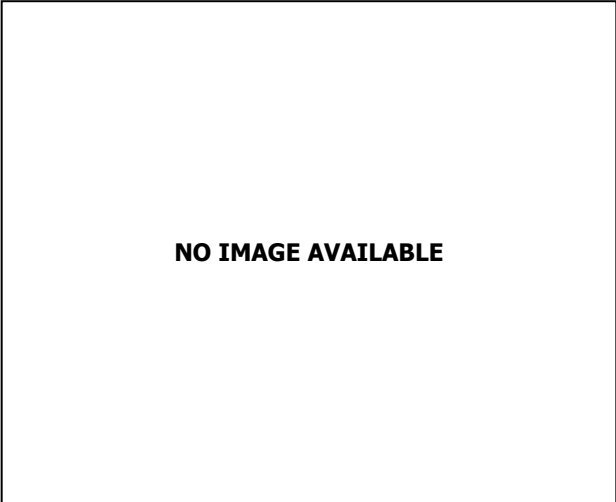
**3176, C10, C11, C12 AND C13 SERIES SECTION –
 TURBOCHARGER**

**3176, C10, C11, C12 AND C13 SERIES SECTION –
 ENGINE GASKET KITS**

Continued

KEY	OEM REF	DESCRIPTION
10	CAT2903986	KIT, Installation (C13) Includes Gaskets (2)331276 (2)331274 (1)331563 (1)331275 (1)331277 O-Rings (2)321426 (1)121284 (1)321231 (2)321279
10	CAT3949183	KIT, Installation (C12) Includes O-Ring (1)321314 (1)321209 (1)321239 (1)321420 (1)321230 (1)321399 Gasket (1)331276 (1)331274 (1)331212 Nuts (4)340062 Studs (4)340114
11	CAT2894135	GASKET, Intake (C13)
11	CAT7W5164	GASKET, Intake
12	CAT2426057	GASKET, Housing (C13)
13	CAT2250947	SCREW, Mounting (C13) (M10 x 1.5 x 40)
14	CAT9X8494	SCREW, Mounting (C13) (M10 x 1.5 x 65)
15	CAT2245450	SPACER
16	ROK1229-E-1513	WASHER

KEY	OEM REF	DESCRIPTION
1	CAT3612581	KIT, Upper Gasket (C13)
1	CAT3612573	KIT, Upper Gasket (C13)
1	CAT3612584	KIT, Upper Gasket (C11)
1	CAT2238228	KIT, Upper Gasket (3176)
1	CAT3125931	KIT, Upper Gasket (3176B)
2	CAT2527955	SET, Lower Gasket (C12)
2	CAT2655321	SET, Lower Gasket (C13)
2	CAT3136846	SET, Lower Gasket (C11)
2	N/A	SET, Lower Gasket (3176)



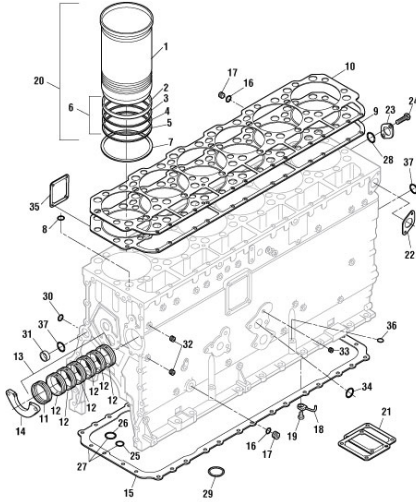
3176, C10, C11, C12 AND C13 SERIES SECTION – MISCELLANEOUS COMPONENTS

3400 SERIES SECTION – CYLINDER BLOCK

KEY	OEM REF	DESCRIPTION
1	CAT2246361	GASKET, Housing
1	CAT2298810	GASKET (C13)
1	CAT7C1594	GASKET, Valve Cover Harness (3176)
1	CAT7C2907	GASKET, Side Cover (3176)
1	CAT2529685	GASKET, Fuel Pump (C10, C12)
1	CAT2348937	GASKET, Flywheel Inspection Cover (C10, C12)
2	CAT6V0852	CAP, Protective
3	CAT2655322	KIT, Fuel Gasket (C13) Includes O-Rings (1)321314 (1)321251 (2)321269 (1)321276 (11)321229 (2)EGA-3061 (1)321398 (3)121284 (1)EF30130 (2)321230 (1)321401
3	CAT3178354	KIT, Fuel Gasket (C11) Includes Gaskets (2)331269 O-Rings (1)321251 (1)321276 (11)321229 (2)EGA-3061 (3)121284 (1)EF30130 (2)321230 Ring (1)321344 Cap (1)342090
4	CAT2644676	SET, Compressor Gasket (C13) Includes Gasket (1)331492 (2)331490 O-Rings (1)321403 (1)121284 (1)321223 (3)121265 (4)321230
4	CAT3149899	SET, Compressor Gasket (C13) Includes Gasket (1)331492 O-Rings (1)321228 (1)321403 (2)121284 (1)321223 (1)121265 (3)321230 (2)321239 (1)321393 (1)321325
5	CAT9X7549	O-RING
5	CAT1069586	O-RING, Oil Pan
5	CAT5P7815	O-RING, Oil Pan
6	CAT6L2609	PLUG, Replacement

KEY	OEM REF	DESCRIPTION
1	N/A	LINER
1	N/A	LINER (Crevice Seal)
2	CAT9L5854	BAND, Liner
3	CAT1427072	O-RING, Liner
3	N/A	RING, Rectangular (5.70in x .142in x .40in)
3	N/A	RING, Rectangular (5.70in x .130in x .39in)
4	CAT1102220	O-RING, Liner
5	CAT1426217	O-RING
6	CAT1609874	KIT, O-Ring Includes O-Rings (3)321201 Band (1)321202
6	CAT1541642	KIT, O-Ring (For Liner w/ D-Ring) O-Rings (1)321201 (1)321205 (1)321207 Band (1)321202
6	N/A	KIT, O-Ring (For Liner w/ Crevice Seal) Includes Rings (1)321350 (1)321202 (1)321201 (1)321205
7	CAT9Y3368	SHIM, Liner (.032in)
7	CAT2W3815	SHIM, Liner (.062in)
7	CAT5N0093	SHIM, Liner (.107in)
8	CAT3S5496	O-RING
9	CAT7N0631	GASKET, Block Plate
9	CAT6I4024	GASKET, Block Plate
10	CAT6I2981	PLATE, Block
11	CAT4N6658	BEARING, Cam (#1)(3406A,B,C)
12	CAT4N0685	BEARING, Cam (#2-7)(3406A,B,C)
13	N/A	KIT, Cam Bearing (3406) Includes Bearings (1)351550 (6)351551
13	N/A	KIT, Cam Bearing (3408) Includes Bearings (2)351550 (3)351551
14	CAT4N0342	BEARING, Cam Thrust (3605A, B, C)
15	N/A	GASKET, Oil Pan(1pc)
15	CAT4N1151	GASKET, Oil Pan (Segmented)
16	CAT2M9780	O-RING
16	CUM3040817	O-RING

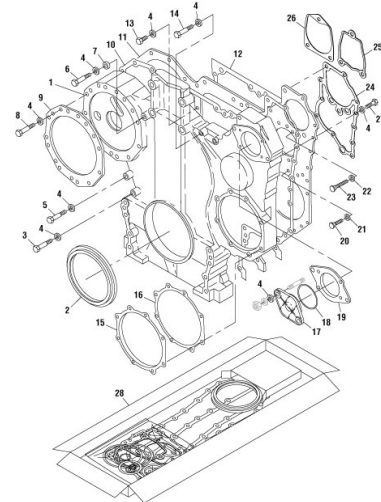
Continued



3400 SERIES SECTION – CYLINDER BLOCK

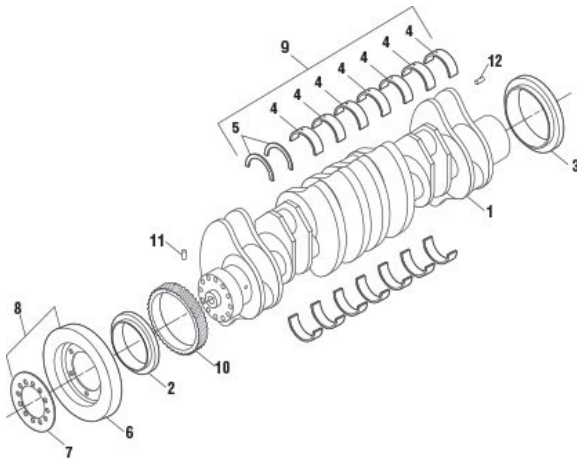
Continued

KEY	OEM REF	DESCRIPTION
17	CAT9S4190	PLUG (7/16in-20)
18	CAT2906568	NOZZLE, Cooling
18	CAT2906567	NOZZLE, Cooling
18	CAT1979336	NOZZLE, Cooling (3406C)
19	CAT1118606	SCREW, Oil Jet
19	CAT1501156	SCREW, Oil Jet
20	CAT1979322	KIT, Liner Includes Liner (1)361610 O-Ring Kit (1)321204
20	N/A	KIT, Liner (Crevice Seal) Includes Liner (1)361620 O-Ring Kit (1)321351
21	CAT6L9589	GASKET, Aftercooler Line
22	CAT4N0933	GASKET, Cover
23	CAT4N0699	GASKET, Aftercooler
24	MAK6AX1309X	SCREW (3/8in-16 x 1-1/2in)
25	CAT1090072	O-RING
26	CAT1090078	O-RING
27	N/A	KIT, Oil Pan Gasket Includes Gasket (1)331208 O-Rings (1)321221 (1)321212
27	N/A	KIT, Oil Pan Gasket Includes Gasket (2)331208 O-Rings (1)321221 (1)321212
28	CAT1142687	O-RING
29	CAT2A3398	SEAL, Drain Plug (Oil Pan)
30	CAT7L3386	O-RING, Oil Line
31	MAK79AX60Z	PLUG (1-1/2in) (3406B)
32	MAK49AX230	PLUG (3406B)
33	MAK49AX244	PLUG (1/4-18) (3406B)
34	CUM3035228	O-RING (3406B)
35	CAT2N0931	GASKET, Expansion Tank
36	CAT8L2786	O-RING, Oil Gauge
37	CAT2500466	O-RING



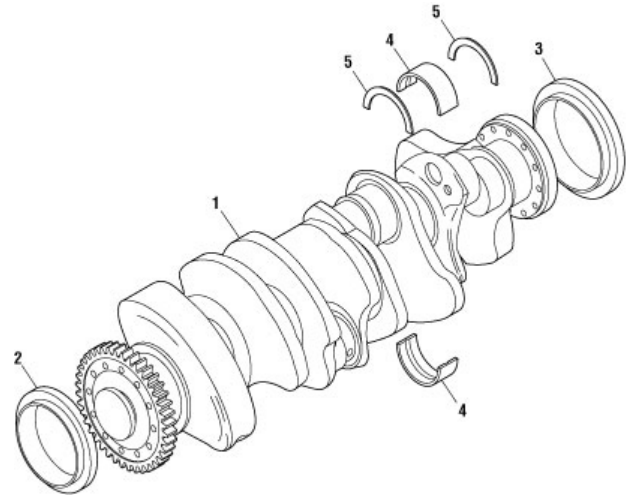
3400 SERIES SECTION – FRONT HOUSING

KEY	OEM REF	DESCRIPTION
1	CAT9Y1842	HOUSING, Front
2	CAT1425867	SEAL, Front Crank
3	CAT0t0055	BOLT (3/8in-16 x 4.25in)
4	ROK1229-K-1597	WASHER
5	CAT8S9191	BOLT (3/8in-16 x 4in)
6	CAT1A5964	BOLT (3/8in-16 x 4.5in)
7	CAT1521332	SPACER
8	ROKS-268-1	SCREW (3/8in-16 x 1in)
9	CAT7W5733	GASKET, Cover
9	CAT4N2695	GASKET, Cover
10	CAT1669146	GASKET, Timing Cover
11	CAT1W1471	PLATE, Front
12	CAT1669142	GASKET, Timing Cover
13	CAT5P4255	BOLT (3/8in-16 x 1in)
14	CAT0L1352	BOLT (3/8in-16 x 3.25in)
15	CAT2W0459	GASKET, Cover
16	CAT1W5908	GASKET, Compressor
17	CAT4P1650	COVER
18	CAT1H7339	O-RING
19	CAT9L1633	GASKET, Cover
19	CAT4N4725	GASKET, Cover
20	CAT1N3181	STUD
21	CAT6B2250	WASHER
22	CAT4H6145	WASHER
23	CAT6N0389	STUD
24	CAT1W1898	GASKET, Accessory Drive
24	CAT9H8872	GASKET, Accessory Drive
25	CAT1006178	GASKET, Compressor Mounting
26	CAT1446142	GASKET, Compressor
27	MAK419GC114	SCREW (3/8in-16 x 1.125in)
28	CAT2341874	KIT, Front Gasket (3406B) Includes Gaskets (1)331317 (1)331405 (1)331401 (1)331301 (1)331403 (1)331211 91)331281 (1)331407 (1)331397 (1)331406 (1)331399 (1)331400 (1)331408 (2)331249 (1)331402 (1)331404 O-Rings (2)EGS-3905-022 (1)321221 (1)321277 (1)321303 (1)321308 (1)321309 (1)321307 (1)621252 (1)321310 Washers (1)342072 (2)342071 Seal (1)336013



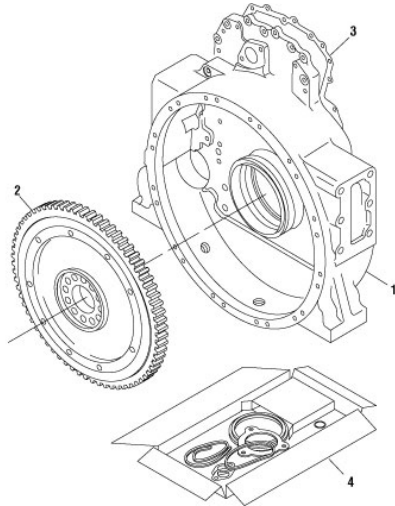
3400 SERIES SECTION – CRANKSHAFT 3406

KEY	OEM REF	DESCRIPTION
1	CAT1W6207	CRANKSHAFT (3406A/B)
1	CAT6I1453	CRANKSHAFT (3406C/E)
2	CAT1425867	SEAL, Front (Green)
3	CAT1425868	SEAL, Rear (Blue)
4	CAT2110592	BEARING, Main (#1-7) (STD)
4	CAT4W5698	BEARING, Main (#1-7) (.025in)
4	CAT4W5699	BEARING, Main (#1-7) (.050in)
4	CAT4W5700	BEARING, Main (#1-7) (STD ID/+ .025in OD)
4	CAT4W5701	BEARING, Main (#1-7) (ID-.025in/OD+.025in)
4	N/A	BEARING, Main (.010in)
4	CAT8N5429	BEARING, Main (#1-7)(STD)(3406A)
4	CAT8N5430	BEARING, Main (#1-7) (.025in) (3406A)
4	CAT8N5431	BEARING, Main (#1-7) (.050in) (3406A)
5	CAT7E9262	BEARING, Thrust Washer (2pc)(STD)
6	CAT1678126	DAMPER
7	CAT1682100	PLATE, Spacer
8	CAT1084096	KIT, Damper Includes Damper (1)302010 Plate (1)302011
9	N/A	SET, Main Bearing (STD) (3406A) Includes Bearing (7)370050 (2)370025
9	N/A	SET, Main Bearing (.025in) (3406A) Includes Bearings (7)370051 (2)370025
9	N/A	SET, Main Bearing (.050in) (3406A) Includes Bearings (7)370052 (2)370025
9	N/A	SET, Main Bearing (STD) Includes Bearings (7)370020 (2)370025
9	N/A	SET, Main Bearing (.025in) Includes Bearings (7)370021 (2)370025
9	N/A	SET, Main Bearing (.050in) Includes Bearings (7)370022 (2)370025
9	N/A	SET, Main Bearing (.010in) Includes Bearings (7)370026 (2)370025
10	CAT1W9302	GEAR, Crankshaft (3406B/C)
11	CAT4N0684	PIN, Flywheel Dowel
12	CAT7S5005	PIN, Gear Crank Dowel



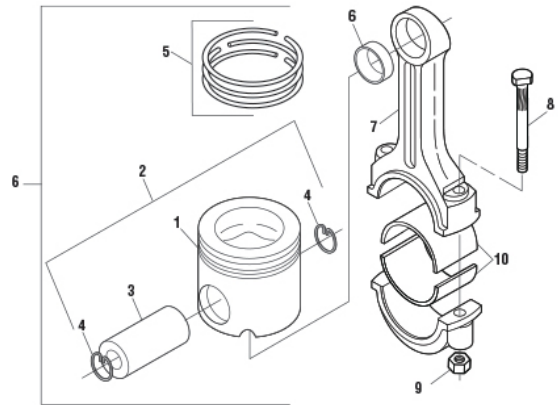
3400 SERIES SECTION – CRANKSHAFT 3408

KEY	OEM REF	DESCRIPTION
1	CAT1W5009	CRANKSHAFT
2	CAT1425867	SEAL, Front (Green)
3	CAT1425868	SEAL, Rear (Blue)
4	CAT2110592	BEARING, Main Pair (STD)
4	CAT4W5698	BEARING, Main Pair (.025in)
4	CAT4W5699	BEARING, Main Pair (.050in)
4	CAT4W5700	BEARING, Main Pair (STD ID/+ .025in OD)
4	CAT4W5701	BEARING, Main Pair (ID-.025in/OD+.025in)
5	CAT7E9262	PLATE, Thrust



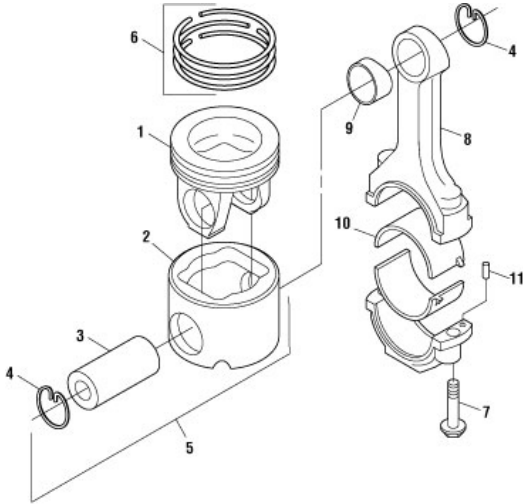
3400 SERIES SECTION – FLYWHEEL HOUSING AND ASSEMBLY

KEY	OEM REF	DESCRIPTION
1	CAT1302802	HOUSING, Flywheel
2	CAT2569653	FLYWHEEL Assembly
3	CAT1555619	GASKET, Flywheel Housing
4	CAT2323679	KIT, Rear Gasket Includes Gaskets (1)331419 (1)331398 (1)331417 (1)331418 (2)331281 Seal (1)336012 Washer (1)342073 O-Rings (1)321310 (3)321209 (2)321265



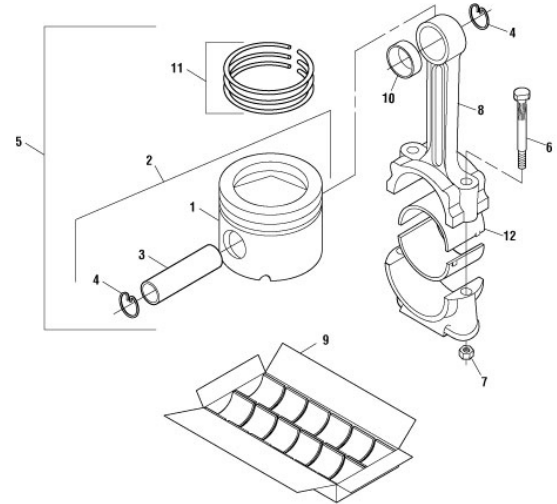
3400 SERIES SECTION – PISTONS, ROD BEARING AND RING SETS – PISTONS (NATURAL GAS) 3406/3408/3412

KEY	OEM REF	DESCRIPTION
1	CAT4P8996	PISTON (9.7 CR and 10.3 CR Natural Gas)
1	CAT1607992	PISTON (11.4 CR Natural Gas)
2	N/A	KIT, Piston (9.7 CR and 10.3 CR Natural Gas) Includes Piston (1)311212 Pin (1)311005 Rings (2)311006
2	N/A	KIT, Piston (11.4 CR Natural Gas) Includes Piston (1)311214 Pin (1)311005 Rings (2)311006
3	CAT8N1608	PIN
4	CAT7E5665	RETAINER
5	N/A	SET, Ring
6	CAT4P8495	BUSHING, Pin
7	CAT8N1726	ROD, Connecting
8	CAT6N8942	BOLT, Rod
9	CAT8L3441	NUT, Connecting Rod
10	CAT9Y9497	BEARING, Rod (STD)
10	CAT4W5702	BEARING, Rod (.025in)
10	CAT4W5703	BEARING, Rod (.050in)



3400 SERIES SECTION – PISTONS, ROD BEARING AND RING SETS – 3406C

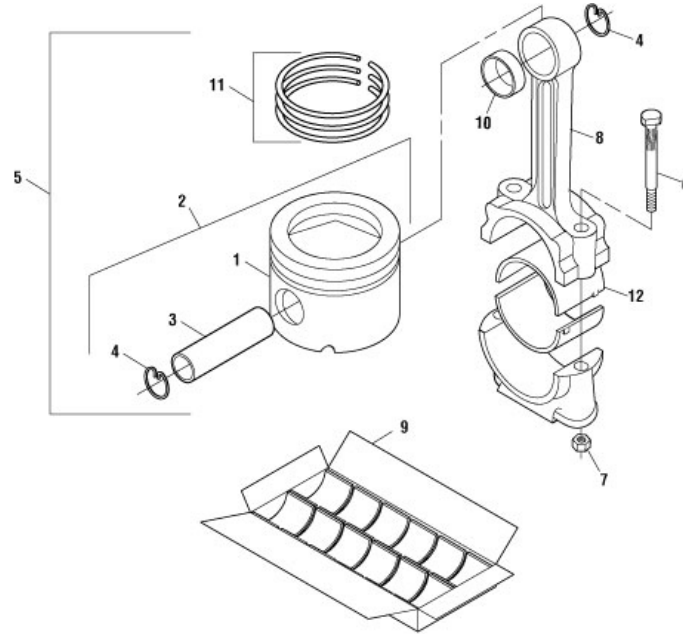
KEY	OEM REF	DESCRIPTION
1	CAT1381791	CROWN, Piston (3406C)
1	CAT1684540	CROWN
2	CAT1300241	SKIRT
3	CAT1687246	PIN
4	MAK97AX126	RING, Retaining
5	N/A	KIT, Piston Includes Crown (1)311119 Skirt (1)311121 Pin (1)311004 Rings (2)GRI-2703
5	N/A	KIT, Piston Includes Crown (1)311129 Skirt (1)311121 Pin (1)311004 Rings (2)GRI-2703
5	N/A	KIT, Piston Includes Crown (1)311129 Skirt (1)311121 Pin (1)311004 Rings (2)GRI-2703
6	N/A	SET, Ring
7	CAT7E4195	BOLT, Connecting Rod
8	CAT9Y6054	ROD, Connecting
8	CAT7E5996	ROD, Connecting (Industrial)
9	CAT6I2726	BUSHING, Pin
10	CAT9Y7735	BEARING, Rod (STD)
10	CAT7E0558	BEARING, Rod (.025in)
10	CAT7E0559	BEARING, Rod (.050in)
10	N/A	BEARING, Rod (.010in)
11	CAT2194458	DOWEL



3400 SERIES SECTION – PISTONS, ROD BEARING AND RING SETS – 3406 – ONE PIECE PISTON

KEY	OEM REF	DESCRIPTION
1	CAT9Y4004	PISTON (DI) (14.5 CR) (9 deg)
1	CAT7N3509	PISTON (DI) (15.2 CR) (6 deg)
1	CAT9Y7212	PISTON (DI) (15.6 CR) (9 deg) (.856 TRL)
1	CAT9Y9889	PISTON (DI) (15.2 CR) (9 deg)
1	CAT7N3633	PISTON (PC) (15.0 CR) (6 deg)
1	CAT6N4126	PISTON (PC) (15.0 CR) (0 deg)
1	CAT7E0292	PISTON (DI) (15.2 CR) (12 deg)
1	CAT1175063	PISTON (DI) (16.0 CR) (12 deg) (Anodized)
1	CAT1010016	PISTON (DI) (16.4 CR) (12 deg)
1	CAT7E8656	PISTON (DI) (15.6 CR) (9 deg) (.325 TRL)
1	CAT7E8700	PISTON (DI) (15.2 CR) (9 deg)
1	CAT7E0539	PISTON (DI) (15.6 CR) (9 deg) (.480 TRL)
1	CAT1601131	PISTON (DI) (14.5 CR) (9 deg)
1	CAT9Y3116	PISTON (DI) (15.2 CR) (3406B)
1	CAT4P8996	PISTON, Natural Gas
1	CAT1607992	PISTON, Natural Gas
2	N/A	KIT, Piston (Natural Gas) Includes Piston (1)311212 Pin (1)311005 Retainers (2)311006
2	N/A	KIT, Piston (Natural Gas) Includes Piston (1)311214 Pin (1)311005 Retainers (2)311006
2	N/A	KIT, Piston Includes Piston (1)311010 Pin (1) 311005 Retainers (2) 311006
2	N/A	KIT, Piston Includes Piston (1)311012 Pin (1)311007 Retainers (2)111095
2	N/A	KIT, Piston Includes Piston (1)311014 Pin (1)311005 Retainers (2)311006
2	N/A	KIT, Piston Includes Piston (1)311016 Pin (1)311005 Retainers (2)311006
2	N/A	KIT, Piston Includes Piston (1)311018 Pin (1)311008 Retainers (2)311006
2	N/A	KIT, Piston Includes Piston (1)311020 Pin (1)311008 Retainers (2)311006

Continued



3400 SERIES SECTIONPISTONS, ROD BEARING AND RING SETS – 3406 - ONE PIECE PISTON

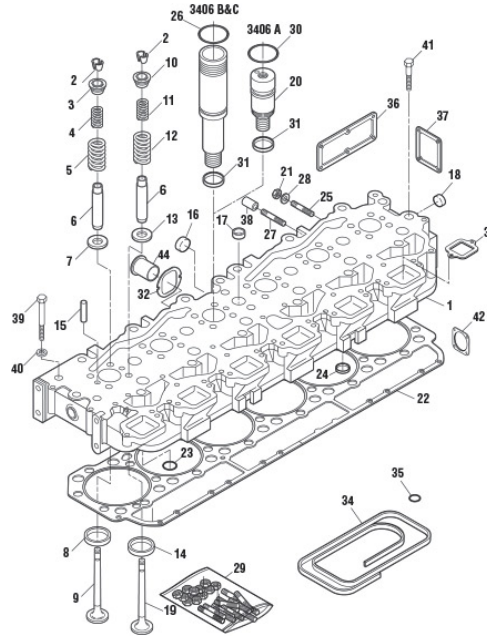
Continued

KEY	OEM REF	DESCRIPTION	KEY	OEM REF	DESCRIPTION
2	N/A	KIT, Piston Includes Piston (1)311022 Pin (1)311004 Retainers (2)GRI-2703	5	CAT7N3636	KIT, Piston (w/ Piston Rings) Includes Piston Kit (1)311013 Ring Set (1)305015
2	N/A	KIT, Piston Includes Piston (1)311024 Pin (1)311003 Retainers (2)GRI-2703	5	CAT7N3634	KIT, Piston (w/ Piston Rings) Includes Piston Kit (1)311019 Ring Set (1)305015
2	N/A	KIT, Piston Includes Piston (1)311026 Pin (1)311004 Retainers (2)GRI-2703	5	CAT9Y1915	KIT, Piston (w/ Piston Rings) Includes Piston Kit (1)311017 Ring Set (1)305010
2	N/A	KIT, Piston Includes Piston (1)311028 Pin (1)311005 Retainers (2)311006	5	CAT4N0757	KIT, Piston (w/ Piston Rings) Includes Piston Kit (1)311021 Ring Set (1)305015
2	N/A	KIT, Piston Includes Piston (1)311030 Pin (1)311005 Retainers (2)311006	6	CAT6N8942	BOLT (use w/Rod 7N3231)
2	N/A	KIT, Piston Includes Piston (1)311032 Pin (1)311005 Retainers (2)311006	6	CAT7E4195	BOLT (use w/Rod 7E5996 or 9Y6054)
2	N/A	KIT, Piston Includes Piston (1)311034 Pin (1)311005 Retainers (2)311006	7	CAT8L3441	NUT (use w/ Bolt 340010)
2	N/A	KIT, Piston Includes Piston (1)311036 Pin (1)311005 Retainers (2)311006	8	CAT8N2486	ROD, Connecting (0°)
3	CAT1029796	PIN, Piston (For Piston 311024)	8	CAT7N3231	ROD, Connecting (6°)
3	CAT1687246	PIN, Piston	8	CAT9Y6054	ROD, Connecting (12°)
3	CAT8N1608	PIN, Piston	8	CAT7E5996	ROD, Connecting (9°)
3	CAT7N9806	PIN, Piston	9	CAT9Y6188	SET, Bearing (STD) Includes Bearings (6)370010
3	CAT7N9807	PIN, Piston	9	CAT9Y6189	SET, Bearing (.025in) Includes Bearings (6)370011
4	CAT7E5665	RETAINER, Pin	9	CAT9Y6190	SET, Bearing (.050in) Includes Bearings (6)370012
4	CUM175755	RETAINER, Pin	10	CAT8N0705	BUSHING, Pin (use w/ Rod 8N2486)
4	MAK97AX126	RETAINER, Pin	10	CAT8N0706	BUSHING, Pin (use w/ Rod 7N3230)
5	CAT2W9053	KIT, Piston (w/ Piston Rings) Includes Piston Kit (1)311015 Ring Set (1)305010	10	CAT4P8495	BUSHING, Pin (use w/ Rod 7E6996)
5	CAT1W9373	KIT, Piston (w/ Piston Rings) Includes Piston Kit (1)311011 Ring Set (1)305010	10	CAT6I2726	BUSHING, Pin (use w/ Rod 9Y6054)
			11	CAT1W8922	SET, Ring (3406B/C/Early E)
			11	CAT8N0822	SET, Ring (3406A)
			11	CAT7C8937	SET, Ring
			11	N/A	SET, Ring (Natural Gas)
			12	CAT9Y9497	BEARING, Rod (STD) (1-17/32in wide)
			12	CAT4W5702	BEARING, Rod (.025in) (1-17/32in wide)
			12	CAT4W5703	BEARING, Rod (.050in) (1-17/32in wide)
			12	CAT9Y7735	BEARING, Rod (STD)
			12	CAT7E0558	BEARING, Rod (.025in)
			12	CAT7E0559	BEARING, Rod (.050in)
			12	N/A	BEARING, Rod (.010in)
			12	CAT8N5434	BEARING, Rod (STD) (1-3/8in wide)
			12	CAT8N5435	BEARING, Rod (.025in) (1-3/8in wide)



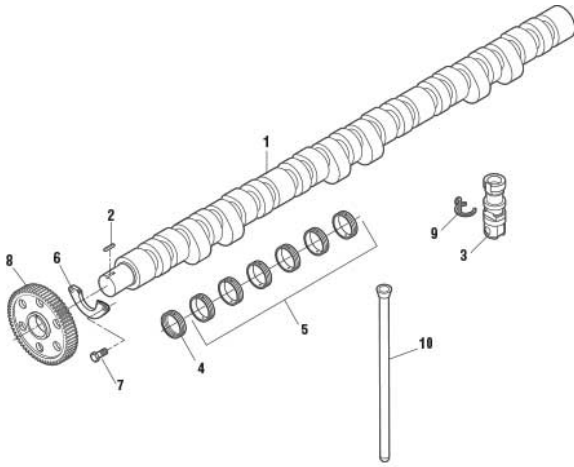
3400 SERIES SECTION – CYLINDER KITS

KEY	OEM REF	DESCRIPTION	KEY	OEM REF	DESCRIPTION
1	N/A	KIT, Cylinder Includes Piston Kit (1)311019 Liner Kit (1)361621 Ring Set (1)305015	1	N/A	KIT, Cylinder Includes Piston Kit (1)311033 Liner Kit (1)361621 Ring Set (1)305010
1	N/A	KIT, Cylinder Includes Piston Kit (1)311021 Liner Kit (1)361621 Ring Set (1)305015	1	N/A	KIT, Cylinder Includes Piston Kit (1)311035 Liner Kit (1)361621 Ring Set (1)305010
1	N/A	KIT, Cylinder Includes Piston Kit (1)311013 Liner Kit (1)361621 Ring Set (1)305015	1	N/A	KIT, Cylinder (3406 B) Includes Piston Kit (1)311037 Liner Kit (1)361621 Ring Set (1)305010
1	N/A	KIT, Cylinder Includes Piston Kit (1)311011 Liner Kit (1)361621 Ring Set (1)305010	1	N/A	KIT, Cylinder (3406 C) Includes Piston Kit (1)311134 Liner Kit (1)361621 Ring Set (1)305021
1	N/A	KIT, Cylinder Includes Piston Kit (1)311015 Liner Kit (1)361621 Ring Set (1)305010	1	N/A	KIT, Cylinder Includes Piston Kit (1)311120 Liner Kit (1)361621 Ring Set (1)305010
1	N/A	KIT, Cylinder Includes Piston Kit (1)311017 Liner Kit (1)361621 Ring Set (1)305010	1	N/A	KIT, Cylinder Includes Piston Kit (1)311120 Liner Kit (1)361621 Ring Set (1)305010
1	N/A	KIT, Cylinder Includes Piston Kit (1)311023 Liner Kit (1)361621 Ring Set (1)305010			
1	N/A	KIT, Cylinder Includes Piston Kit (1)311025 Liner Kit (1)361621 Ring Set (1)305010			
1	N/A	KIT, Cylinder Includes Piston Kit (1)311027 Liner Kit (1)361621 Ring Set (1)305010			
1	N/A	KIT, Cylinder Includes Piston Kit (1)311029 Liner Kit (1)361621 Ring Set (1)305010			
1	N/A	KIT, Cylinder Includes Piston Kit (1)311031 Liner Kit (1)361621 Ring Set (1)305010			



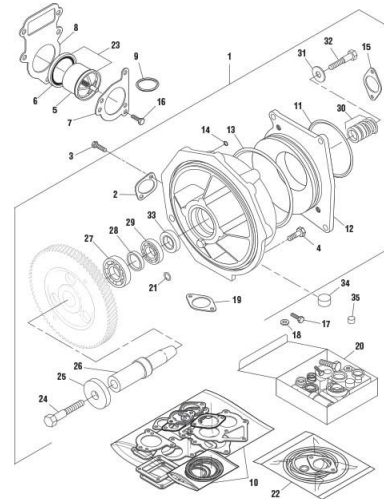
3400 SERIES SECTION – CYLINDER HEAD

KEY	OEM REF	DESCRIPTION	KEY	OEM REF	DESCRIPTION
1	CAT1105097	HEAD, Cylinder (3406A)	24	CAT3E6772	SEAL, Head Gasket
1	N/A	HEAD, Cylinder (3406PC) (Loaded)	25	CAT1061792	STUD, Exhaust (3/8in-16 x 3.93in)
1	CAT1105096	HEAD, Cylinder	25	CAT6L8562	STUD, Exhaust (3/8in-16 x 1.77in)
1	CAT7W2203	HEAD, Cylinder (Loaded)	25	CAT4S6137	STUD, Exhaust (3/8in-16 x 3-3/16in)
2	CAT2A4429	COLLET, Retainer	26	CAT8M5249	O-RING, Adapter
3	CAT6N7154	ROTATOR (Exhaust & Intake) (3406A) (Single Spring)	26	CAT5H7153	O-RING, Adapter
3	CAT9Y3329	ROTATOR (Exhaust)	27	CAT1061793	STUD, Exhaust (3/8in-16 x 2.4in)
4	CAT9T3327	SPRING, Inner Valve (Exhaust)	28	CAT5M2894	WASHER
5	CAT9Y3326	SPRING, Outer Valve (Exhaust)	29	N/A	KIT, Exhaust Manifold Stud Includes Studs (11)340113 (1)340112 Nuts (12)340061
6	CAT1737188	GUIDE, Valve (Finished) (Exhaust & Intake)	29	N/A	KIT, Exhaust Manifold Stud Includes Studs (11)340110 (1)340111 Nuts (12)340061
6	CAT1227374	GUIDE, Valve (Finished) (Exhaust)	30	CAT2S2251	O-RING, Pre-Combustion Chamber (Use w/ Chamber 392080)
7	CAT9Y3328	WASHER, Valve Guide (Exhaust)	31	CAT4N7253	GASKET
8	CAT1W5283	INSERT, Valve (STD) (Exhaust)	32	CAT1299452	GASKET, Exhaust Manifold
8	CAT7C5353	INSERT, Valve (.020in) (Exhaust)	33	CAT2N8204	GASKET, Aftercooler
8	CAT7C5354	INSERT, Valve (.030in) (Exhaust)	34	CAT5P5678-3	GASKET, Valve Cover (3M)
9	CAT1152367	VALVE, Exhaust	34	CAT5P5678	GASKET, Valve Cover (96M) (Use as required)
10	CAT4W2474	ROTATOR, Intake Valve (Dual Spring)	34	CAT5P5678-6	GASKET, Valve Cover (6M)
11	CAT4W2472	SPRING, Inner Valve	34	CAT5P5678-4	GASKET, Valve Cover (4M)
12	CAT4N5906	SPRING, Outer Valve (Exhaust & Intake) (3406A) (Single Spring)	34	CAT5P5678-8	GASKET, Valve Cover (8M)
12	CAT4W2471	SPRING, Outer Valve	34	CAT5P5678-9	GASKET, Valve Cover (9M)
13	CAT4W2473	SEAT, Spring Valve	35	CAT8C5196	O-RING, Breather
14	CAT4N5893	INSERT, Intake Valve (STD)	36	CAT7C6188	GASKET, Inlet Cover
14	CAT7C7602	INSERT, Intake Valve (.005in)	37	CAT2N8630	GASKET, Cover
14	CAT7C7603	INSERT, Intake Valve (.010in)	38	CAT2S3770	SPACER, Exhaust Manifold (3406B/C) (75in x .440in x 1.31in)
14	CAT7C7604	INSERT, Intake Valve (.020in)	39	CAT2H3750	SCREW, Cylinder Head (3/4in-16 x 7-1/2in)
14	CAT7C7605	INSERT, Intake Valve (.030in)	40	CAT5H1509	WASHER
15	CAT2N5775	PIN, Dowel	41	CAT5F4899	BOLT (3/8in-16 x 5-1/2in)
16	CAT3B0623	PLUG (1in x 5/16in)	42	CAT4F4873	GASKET, Water (3306B, 3406B)
17	CAT3B0645	PLUG	42	CAT2M1395	GASKET, Water (3306B, 3406B)
18	CAT2M6471	PLUG	43	N/A	KIT, Manifold Hardware Includes Sleeve Assemblies (6)331582 Stud Kit (1)340105 Spacers (12)340139 Washers (12)ER01750 Screws (4)340015 Nuts (4)340061
19	CAT1152368	VALVE, Intake	44	CAT1948124	ASSEMBLY, Sleeve Exhaust
20	CAT4N3714	CHAMBER, Pre-Combustion Assembly (3406A)			
21	CAT2N2766	NUT, Exhaust			
22	CAT2W8128	GASKET, Cylinder Head (3406A)			
22	CAT6I3066	GASKET, Cylinder Head (3406B/C)			
23	CAT3S5496	O-RING			
24	CAT7N0623	SEAL, Head Gasket			



3406 SERIES SECTION – CAMSHAFT - 3406

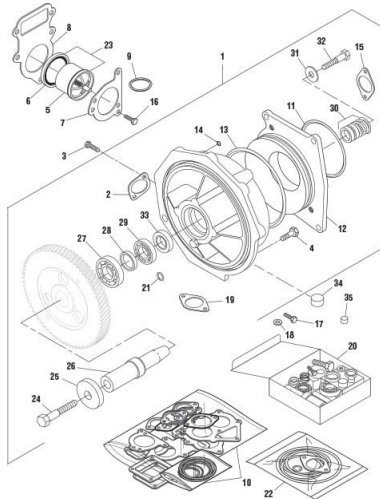
KEY	OEM REF	DESCRIPTION
1	CAT8N9245	CAMSHAFT
1	CAT1007408	CAMSHAFT
1	CAT4W2430	CAMSHAFT
2	CAT1B8705	KEY
3	CAT1017788	VALVE LIFTER
4	CAT4N6658	BEARING, Cam (#1)
5	CAT4N0685	BEARING, Cam (#2-7)
6	CAT4N0342	BEARING, Cam Thrust
7	CAT0S0509	BOLT (3/8in-16 x .75in)
8	CAT8N8254	GEAR, Camp (64 Teeth)
9	CAT305-6843	CLIP, Spring Guide
10	CAT4W5998	PUSHROD (3406A/B/C, 3408B/C, 3412B/C)



3400 SERIES SECTION – WATER PUMP

KEY	OEM REF	DESCRIPTION
1	CAT1354926	PUMP, Water Assembly
2	CAT7C0307	GASKET, Water Connector
2	CAT4N1135	GASKET, Water Connector
2	CAT1250434	GASKET, Water Connector
3	CAT0S1594	SCREW (3/8in-16 x 1in)
4	CAT0S1591	SCREW (3/8in-16 x 1-1/2in)
5	CAT1209453	THERMOSTAT (170 deg) (Non-vented)
5	CAT6I4950	THERMOSTAT (180 deg) (Non-vented)
5	CAT7C3095	THERMOSTAT (190 deg) (Non-vented)
5	CUM201737	THERMOSTAT (NSS) (Used in kit 181830)
6	CAT3S9643	SEAL
7	CAT4N1156	GASKET, Regulator Cover
8	CAT4W4014	GASKET, Regulator Housing
8	CAT9Y2588	GASKET, Regulator Housing
8	CAT1048585	GASKET, Regulator Housing
8	CAT1393550	GASKET, Regulator Housing
9	CAT5K5959	O-RING
9	CAT1090076	O-RING
10	CAT1282922	KIT, Gasket Includes Gaskets (1)331371 (1)331251 (1)331301 (1)331281 (1)331285 (1)331283 (3)331249 (1)331284 (1)331290 (1)331372 (1)331347 O-Rings (1)TGA-9914 (1)321217 (3)321278 (1)321277
11	CAT1090077	O-RING, Oil Cooler
12	CAT7C9222	ADAPTER (Aluminum)
13	CAT9M3786	O-RING
14	CAT1223772	O-RING
15	CAT4F3602	GASKET, Water (Connector Heat Exchanger)(Marine)
16	CAT0S1619	BOLT
17	CAT0L1351	SCREW
18	CAT5M2894	WASHER
19	CAT4N0933	GASKET

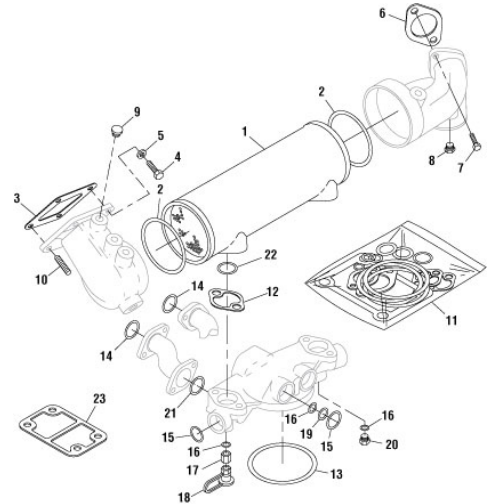
Continued



3400 SERIES SECTION – WATER PUMP

Continued

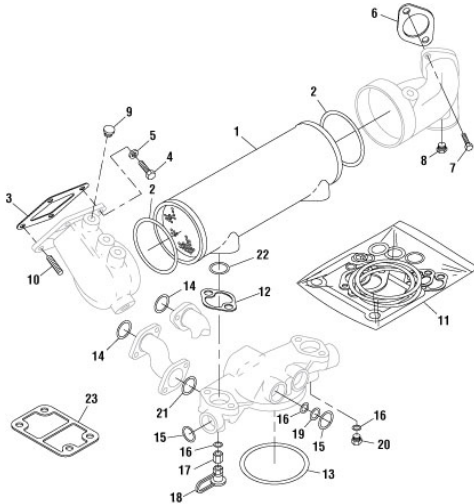
KEY	OEM REF	DESCRIPTION
20	CAT1293068	KIT, Rebuild Includes Shaft (1)381831 Seals (1)336023 (1)336024 Bearings (1)GBG-6601 (1)EBG-8689 Filters (1)350490 (1)350491 Retainer (1)340152 Spacer (1)340135 Screws (1)BSC-0033 (1)BSC-8399 Washer (1)340151
21	CAT1565198	O-RING
22	CAT2138621	KIT, O-Ring Includes O-Rings (1)321278 (1)321303 (1)TGA-9914 (1)EGA-3061 Gasket (1)331372
23	CAT4W4794	KIT, Thermostat Includes Thermostat (1)181830-001 Seal (1)131289
24	CAT1A1135	SCREW
25	CAT2P3696	RETAINER
26	CAT1354928	SHAFT, Water Pump
27	CAT8B5355	BEARING
28	CAT2N7942	SPACER
29	CAT1B3867	BEARING
30	CAT1313815	SEAL, Water Pump
31	CAT9M6527	WASHER
32	CAT0S1591	SCREW
33	CAT8C3100	SEAL, Water Pump
34	CAT4N1400	FILTER, Water Pump
35	CAT4N5834	FILTER, Water Pump



3400 SERIES SECTION – OIL COOLER

KEY	OEM REF	DESCRIPTION
1	CAT7C3039	COOLER, Oil
2	CAT1090077	O-RING
3	CAT4N0641	GASKET, Oil Cooler
3	CAT1264935	GASKET, Oil Cooler
4	MAK6AX1308X	SCREW (3/8in-16 x 1.25in)
5	ROK1229-K-1597	WASHER
6	CAT4N1135	GASKET, Water Connector
6	CAT1250434	GASKET, Water Connector
6	CAT1W2636	GASKET, Water Connector
7	ROKS-268-1	SCREW (3/8in-16 x 1in)
8	CAT8T6767	PLUG
9	MAK49AX234Z	PLUG, Pipe (1/2in-14)
10	CAT129-3172	STUD
11	CAT1153657	KIT, Oil Cooler Gasket Includes Gaskets (1)331372 (1)331387 (2)331388 (1)331281 O-Rings (3)321278 (1)321239 (2)321293 (1)121284 (2)121308 (1)321228 (2)321294
11	CAT1002937	KIT, Oil Cooler Gasket Includes Gaskets (1)331372 (2)331388 (1)331387 O-Rings (2)321228 (2)121308 (5)321278 (2)321239 (2)321294 (1)321209
11	CAT1127993	KIT, Oil Cooler Gasket Includes Gaskets (1)331372 (2)331388 (1)331387 O-Rings (1)321228 (2)121308 (2)321278 (2)321294 (3)321301
11	CAT2233344	KIT, Oil Cooler Gasket Includes Gaskets (1)331272 (1)331387 (1)331301 O-Rings (2)121308 (3)321278 (1)121284 (1)321239 (1)321294 (1)321276 (2)321299 (2)321298
11	CAT3478682	KIT, Oil Cooler Gasket Includes Gasket (1)331387 O-Rings (2)121308 (3)321278 (2)321294 (1)321223 (2)321276 (2)321299 (1)321300 (2)321298

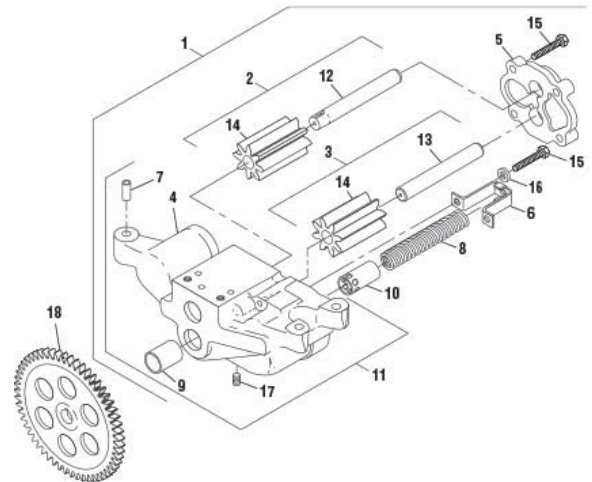
Continued



3400 SERIES SECTION – OIL COOLER

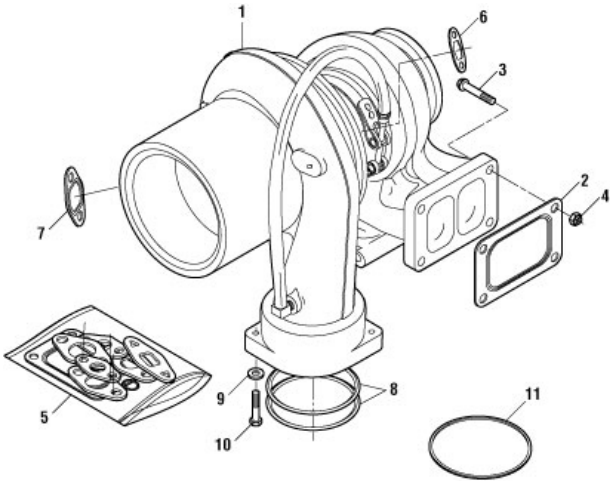
Continued

KEY	OEM REF	DESCRIPTION
11	CAT7X7954	KIT, Oil Cooler Gasket Includes Gaskets (2)331388 (2)331412 (1)331387 O-Rings (2)121308 (6)321278 (2)321230 (3)321228 (1)321239 (2)321294
12	CAT2P3760	GASKET
13	CAT6V3908	O-RING
14	CUM3678756	O-RING
15	CAT5P7701	O-RING
16	CUM3330159	O-RING, Sensor
17	CAT5P9617	ADAPTER
18	CAT8C3446	VALVE
19	CAT3J7354	O-RING
20	CAT9S4191	PLUG
21	CAT0617540	O-RING
22	CAT3P0650	O-RING
23	CAT2P4305	GASKET, Oil Filter Base



3400 SERIES SECTION – OIL PUMP

KEY	OEM REF	DESCRIPTION
1	CAT4N0733	PUMP, Oil (3406) Includes Shafts (1)341321 (1)341322 Screws (4)340028 (2)340034 Spring (1)341351 Plunger (1)341350 Cover (1)341342 Retainer (1)341353 Housing Assembly (1)341341 Plug (1)EPP-3572 Washers (2)ER01750
1	CAT4N8734	PUMP, Oil Includes Shafts (1)341321 (1)341322 Screws (4)340028 (2)340037 Spring (1)341351 Plunger (1)341350 Cover (1)341342 Retainer (1)341342 Housing Assembly (1)341341 Plug (1)EPP-3572 Washers (2)ER01750
2	CAT1W7238	SHAFT, Drive Includes Shaft (1)341323 Gear (1)341330
3	CAT1W7239	SHAFT, Idler Includes Shaft (1)341324 Gear (1)341330
4	CAT6N1028	HOUSING, Pump
5	CAT7C6498	COVER, Pump
6	CAT9Y1800	RETAINER, Spring
7	CAT8M8489	DOWEL
8	CAT2S2760	SPRING, Relief
9	CAT7N2156	BUSHING
10	CAT6N1931	PLUNGER, Relief
11	CAT2369918	ASSEMBLY, Housing Includes Housing (1)341340 Bushings (2)351520 Dowels (2)351521
12	N/A	SHAFT, Drive
13	N/A	SHAFT, Idler
14	N/A	GEAR
15	CAT2P3205	SCREW, Flanged Hex (3/8-16 x 1-3/4in)
16	CAT5M2894	WASHER
17	CAT2S7905	PLUG, Pipe
18	CAT1499110	GEAR, Drive Pump



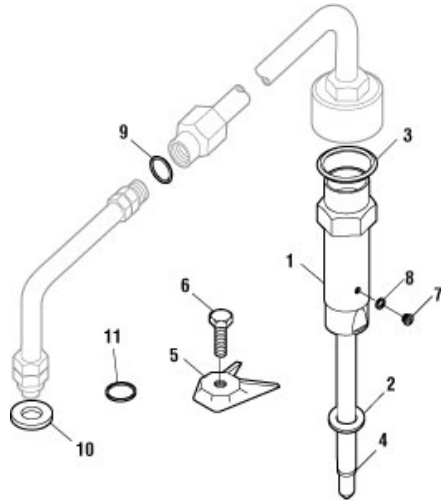
3400 SERIES SECTION – TURBOCHARGER

KEY	OEM REF	DESCRIPTION
1	CAT1418937	TURBOCHARGER (3406 B)
1	CAT6I4574	TURBOCHARGER (S410)
1	SCH199119	TURBOCHARGER
2	CAT1S4295	GASKET, Turbocharger
3	CAT2N2765	SCREW, Turbo Mounting
4	CAT2N2766	NUT, Turbo Mounting (3/8in-16)
5	SCH318417	KIT, Turbo Mounting (Use w/ Turbo ETC-9218) Includes Gaskets (1)EGS-3890-020 (1)EGS-2861 (1)331308 (1)EGS-2862 (1)131480 (1)EGS-2863 (1)131494 O-Ring (1)121227
5	CAT1229062	KIT, Turbo Mounting (3406C) Includes Gasket (1)331212 O-Rings (1)321209 (1)121284 (1)321305 (2)321233 (1)321249 (1)121256
6	CAT6J2245	O-RING, Turbo Oil Pressure
6	CAT1986068	GASKET, Turbo Oil Pressure
6	NAV253660R2	GASKET, Turbo Supply
7	CAT617539	O-RING, Turbo Oil Drain
7	CAT1262702	GASKET, Turbo Oil Drain
7	NAV670079C2	GASKET, Turbo Oil Drain
8	CAT4L8337	O-RING, Intake Hose (81mm)
8	CAT5H7704	O-RING, Intake Hose
9	ROK1229-K-1597	WASHER
10	ROKS-268-1	SCREW
11	CAT5S1188	O-RING, Intake Pipe



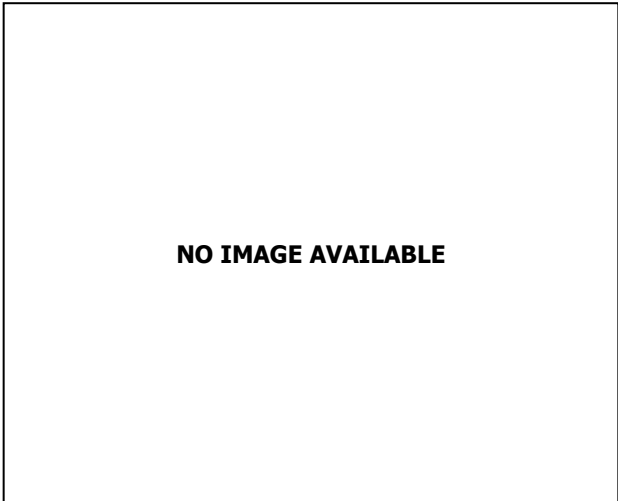
3400 SERIES SECTION – FUEL INJECTION COMPONENTS – FUEL INJECTION LINES

KEY	OEM REF	DESCRIPTION
	CAT1917941	LINE, FUEL (#1)
	CAT1917942	LINE, FUEL (#2)
	CAT1917943	LINE, FUEL (#3)
	CAT1917944	LINE, FUEL (#4)
	CAT1917945	LINE, FUEL (#5)
	CAT1917946	LINE, FUEL (#6)
	CAT4N9971	TUBE, FUEL (#1)
	CAT4N9972	TUBE, FUEL (#2)
	CAT4N9973	TUBE, FUEL (#3)
	CAT4N9974	TUBE, FUEL (#4)
	CAT4N9975	TUBE, FUEL (#5)
	CAT4N9976	TUBE, FUEL (#6)
	CAT9Y1081	TUBE, FUEL (#1)
	CAT9Y1082	TUBE, FUEL (#2)
	CAT9Y1083	TUBE, FUEL (#3)
	CAT9Y1084	TUBE, FUEL (#4)
	CAT9Y1085	TUBE, FUEL (#5)
	CAT9Y1086	TUBE, FUEL (#6)



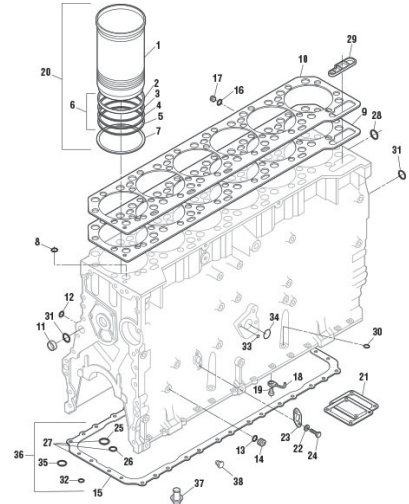
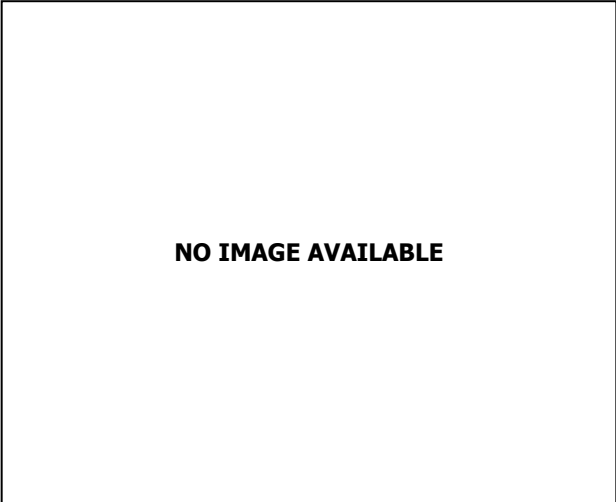
3400 SERIES SECTION – FUEL INJECTION COMPONENTS – FUEL INJECTION COMPONENTS

KEY	OEM REF	DESCRIPTION
1	CAT7W7040	INJECTOR
2	CAT7W4482	WASHER, Seal
2	MAK37AX7U	WASHER
3	CAT1H1023	O-RING
4	CAT9L9098	SEAL
5	CAT8N5132	NOZZLE, Hold Down
6	CAT1T0416	BOLT
7	CAT9X2836	SCREW
8	CAT1143364	SEAL
9	CAT1171385	O-RING
10	CAT8H9204	SEAL, Felt
11	CAT5P2060	RING, Rectangular



3400 SERIES SECTION – ENGINE GASKET KITS

KEY	OEM REF	DESCRIPTION
1	CAT2266067	KIT, Upper Gasket
1	CAT5P8365	KIT, Upper Gasket
1	CAT5P8052	KIT, Upper Gasket
1	CAT1891946	KIT, Upper Gasket
1	CAT5P8053	KIT, Upper Gasket
1	CAT5P8366	KIT, Upper Gasket
1	CAT6V6403	KIT, Upper Gasket
1	CAT6V9890	KIT, Upper Gasket
1	CAT7X2632	KIT, Upper Gasket
1	CAT5P8431	KIT, Upper Gasket
1	CAT1464229	KIT, Upper Gasket
1	CAT2193501	KIT, Upper Gasket
1	CAT1569232	KIT, Upper Gasket
1	CAT2310649	KIT, Upper Gasket
1	CAT2339198	KIT, Upper Gasket
2	N/A	KIT, Overhaul Gasket (3406C)(IND)
2	N/A	KIT, Overhaul Gasket
2	N/A	KIT, Overhaul Gasket
2	N/A	KIT, Overhaul Gasket
2	N/A	KIT, Overhaul Gasket
2	N/A	KIT, Overhaul Gasket
2	N/A	KIT, Overhaul Gasket
2	N/A	KIT, Overhaul Gasket
2	N/A	KIT, Overhaul Gasket
2	N/A	KIT, Overhaul Gasket (3406 A)
2	N/A	KIT, Overhaul Gasket (3406)
3	CAT2601534	KIT, In-frame Gasket (3406 B)



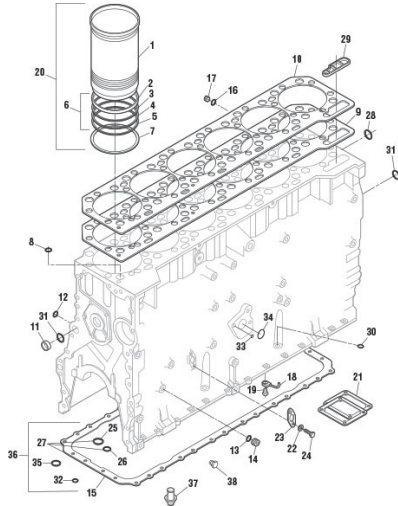
3400 SERIES SECTION – MISCELLANEOUS COMPONENTS

KEY	OEM REF	DESCRIPTION
1	CAT0R3659	COMPRESSOR
1	CAT1316679	COMPRESSOR
2	CAT1446142	GASKET, Compressor (3406)
2	CAT1P0436	GASKET, Primer Pump
2	CAT1007432	GASKET, Compressor (3406)
2	CAT1535484	GASKET, Aftercooler
2	CAT4N1320	GASKET, Adapter (3406)
2	CAT7W0688	GASKET, Adapter (3406)
3	CAT2H3927	O-RING
3	CAT4J7533	O-RING, Governor
3	CAT6H9691	O-RING, Governor
3	CAT4D9986	O-RING
3	CAT5P7813	O-RING, Fuel Pump (3406B)
3	CAT5M2057	O-RING, Governor/Fuel Pump
3	CAT5P9757	O-RING, Governor
3	CAT1S8947	O-RING
3	CAT9M7002	O-RING
3	CAT5P8068	O-RING, Oil Pump
3	CAT5P5846	O-RING, Oil Pump
3	CAT6L5359	O-RING
3	CAT5P5598	O-RING
4	CAT1036045	SEAL, Accessory Cover
4	CAT5S2106	SEAL, Tension Pulley (3406)
4	CAT1422329	SEAL, Oil Return (3406)
5	CAT1891951	KIT, Fuel Pump O-Ring Includes O-Rings (1)321276 (1)EF30130 (4)321230 (9)321229 (2)121284 Gasket (1)331269
6	CAT6V6923	RING, Teflon (Fuel Pump)
7	CAT1127991	KIT, Fuel Gasket Includes Gasket (1)331269 O-Rings (2)321315 (1)121284 (3)321223 (1)121282 (1)EGA-0430 (3)321230 (2)EGS-3895-005 (6)321282 (6)321283 (6)321284 (4)321314 (11)321229 (2)321316 Ring (1)321343
8	CAT1B9575	SCREW, Hex Head (Air Compressor Pressure Regulator)
9	CAT1W1700	PUMP, Fuel Supply

3406 E, C15, C16, C18 SERIES SECTION – CYLINDER BLOCK

KEY	OEM REF	DESCRIPTION
1	CAT1326881	LINER
1	CAT3221126	LINER, Cylinder (C18)
1	N/A	LINER (Crevice Seal)
2	CAT9L5854	BAND, Liner
3	CAT1427072	O-RING, Liner
3	CAT1313717	O-RING, Liner
3	N/A	RING, Rectangular (5.70in x .142in x .40in)
3	CAT1550809	O-RING, Liner (C18)
3	CAT1552793	O-RING, Liner
3	N/A	RING, Rectangular (5.70in x .130in x .39in)
4	CAT1102220	O-RING, Liner
5	CAT1426217	O-RING
6	CAT1609874	KIT, O-Ring Includes O-Ring (1)321201 Band (1)321202
6	CAT1541642	KIT, O-Ring (For Liner w/ D-Ring) Includes O-Rings (1)321201 (1)321205 (1)321207 Band (1)321202
6	N/A	KIT, O-Ring (For Liner w/ Crevice Seal) Includes Rings (1)321350 (1)321202 (1)321201 (1)321205
6	N/A	KIT, Seal Liner Includes O-Rings (1)321352 (2)321353 Band (1)321202
7	CAT9Y3368	SHIM, Liner (.032in)
7	CAT2W3815	SHIM, Liner (.062in)
7	CAT5N0093	SHIM, Liner (.107in)
8	CAT5P0840	O-RING
9	CAT2271204	GASKET, Block Plate
10	CAT6I4421	PLATE, Spacer
11	MAK79AX60Z	PLUG (3406E)
12	CAT7L3386	O-RING, Oil Line
13	CAT6V5048	O-RING
13	CAT3J7354	O-RING
14	MAK49AX281	PLUG (7/16in-20)
15	N/A	GASKET, Oil Pan (1 pc)
15	CAT4N1151	GASKET, Oil Pan (Segmented)
15	CAT1685248	GASKET, Oil Pan (C15)
16	CUM3040817	O-RING
17	CAT9S4190	PLUG (7/16in-20)

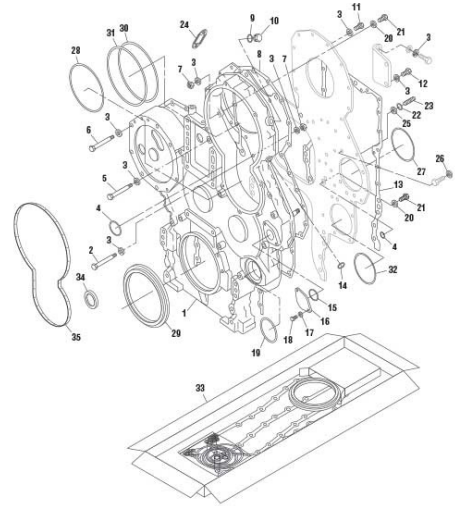
Continued



3406 E, C15, C16, C18 SERIES SECTION – CYLINDER BLOCK

Continued

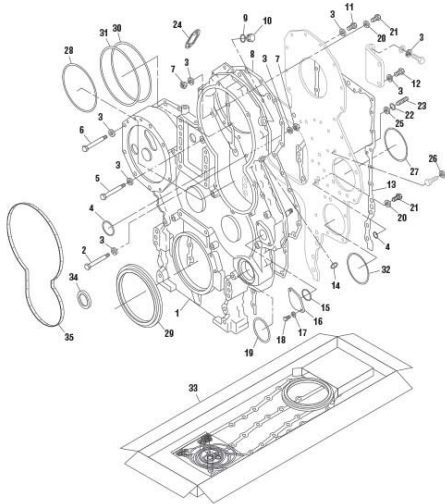
KEY	OEM REF	DESCRIPTION
18	CAT2748359	NOZZLE, Cooling
18	CAT2906568	NOZZLE, Cooling
18	CAT1663650	NOZZLE, Cooling
18	CAT1979336	NOZZLE, Cooling
19	CAT1118606	SCREW, Oil Jet
19	CAT151-5925	SCREW, Oil Jet
20	CAT1979322	KIT, Liner Includes Liner (1)361610 O-Ring Kit (1)321204
20	N/A	KIT, Liner(Crevise Seal) Includes Liner (1)361620 O-Ring Kit (1)321351
20	N/A	KIT, Liner(C16) Includes Liner (1)361612 O-Ring kit (1)321204
20	N/A	KIT, Liner(C18) Includes Liner(1)361616 Band (1)321202 O-Rings (2)321352 (2)321353
21	CAT6L9589	GASKET, Aftercooler Line
22	ROK1229-K-1597	WASHER
23	CAT4N0699	GASKET, Aftercooler
24	ROKS-268-1	SCREW (3/8in-16 x 1in)
25	CAT1090072	O-RING
26	CAT1090078	O-RING
27	N/A	KIT, Oil Pan Gasket Includes Gasket (1)331208 O-Rings (1)321221 (1)321212
27	N/A	KIT, Oil Pan Gasket (C15) Includes Gasket (1)331218 O-Rings (1)321221 (1)321212
28	CAT1142687	O-RING
28	CAT3E6747	O-RING
29	CAT1422329	SEAL
30	CAT1123102	O-RING, Oil Gauge
31	CAT2500466	O-RING
32	CAT5P7701	O-RING
33	CAT6V3683	O-RING
34	CAT8J4351	O-RING
35	CUM3044593	O-RING, Drain Plug
36	CAT2572756	KIT, Central Lower Structure Gasket (C15) Includes Gasket (1)331218 O-Rings (1)321212 (1)321221 (1)321320 (3)131360 (2)321299
37	CAT2401614	ISOLATOR, Assembly (C15)
38	CAT9X6451	PLUG, Oil Drain (Magnetic)



3406 E, C15, C16, C18 SERIES SECTION – FRONT HOUSING

KEY	OEM REF	DESCRIPTION
1	CAT122-2473	HOUSING, Front
2	CAT8S9191	BOLT (3/8in-16 x 4in)
3	ROK1229-K-1597	WASHER
4	CAT7X4805	O-RING
5	CAT0L2070	BOLT (3/8in-16 x 2.25in)
6	CAT0T0055	BOLT (3/8in-16 x 4.25in)
7	CAT9S8752	NUT
8	CAT1669144	GASKET, Timing Gear Cover
9	CUM3330159	O-RING
10	CAT9S4191	PLUG
11	MAK6AX1308X	SCREW (3/8in-16 x 1.25in)
12	MAK6AX1309X	SCREW (3/8in-16 x 1.5in)
13	CAT1669142	GASKET, Cover
13	CAT155-3629	GASKET, Cover
13	CAT1559524	GASKET, Cover (C15)
14	CAT8L2786	O-RING
15	CUM3073966	O-RING
16	CAT7C1445	COVER
17	MAK37AX1	WASHER
18	CAT2B2695	BOLT (5/16in-18 x .875in)
19	CAT1075769	O-RING
20	CAT1261757	SEAL, Washer
21	CAT129-5428	STUD
22	CAT1295427	SEAL, Washer
23	CAT120-9243	STUD
24	CAT2P2720	GASKET, Oil Fill
25	CAT6B2250	WASHER, Copper
26	CAT4H6145	WASHER, Copper
27	CAT1100004	SEAL, Compressor
28	CAT1036045	SEAL, Accessory Cover
29	CAT1425867	SEAL, Front Crank
30	CAT5E8771	O-RING
31	CAT1178801	O-RING
32	CAT8T9527	O-RING, Drive Pump
33	CAT2341866	KIT, Front Gasket Includes Gaskets (1)331397 (1)331396 O-Rings (1)121250 (2)321316 (1)121284 (1)321267 (1)321303 (1)321276 (1)321363 (2)321230 (1)321313 Seals (1)331384 (1)331415 (12)336054 (2)336055 (1)336013 Washers (2)342072

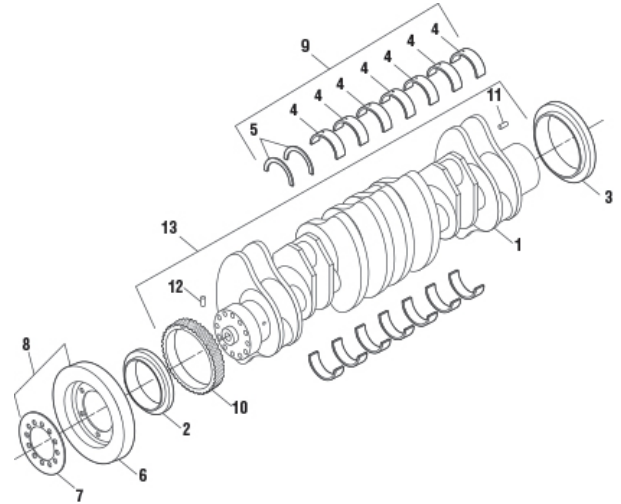
Continued



3406 E, C15, C16, C18 SERIES SECTION – FRONT HOUSING

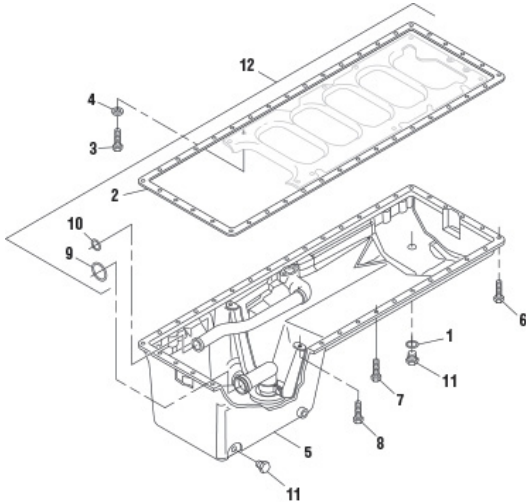
Continued

KEY	OEM REF	DESCRIPTION
33	CAT2336984	KIT, Front Gasket Includes Gaskets (1)331423 (1)331396 Seals (1)331384 (1)331415 (12)336054 (2)336055 (1)336013 (1)336026 O-Rings (1)121250 (2)321316 (1)321267 (1)321303 (1)321276 (1)321263 (2)321230 (1)321313 (1)321310 (2)342071 Washers (12)342071
33	CAT2341633	KIT, Front Cover Gasket (C15) Includes Gaskets (1)331462 (1)331396 O-Rings (1)121250 (2)321316 (1)321222 (1)321267 (2)321387 (1)321310 (1)321369 (1)321263 (1)321313 Seals (1)331415 (9)336054 (1)336013
33	CAT2341904	KIT, Front Cover Gasket (C15) Includes Gaskets (1)331372 (1)331347 (1)331471 (1)331462 (1)331396 (1)331285 O-Rings (1)121250 (2)321316 (1)321278 (1)321267 (1)321303 (2)321387 (1)321222 (1)321310 (1)321263 (3)321230 (1)321313 (1) TGA-9914 Seals (9)336054 (1)336013 (2)EOS-3305 (2)331415
33	CAT3483681	KIT, Front Cover Gasket (C15 - ACERT) Includes Gaskets (1)331372 (1)331347 (1)331471 (1)331462 (1)331396 (1)331490 (1)331285 Gasket Set (1)331497 O-Rings (1)121250 (2)321316 (1)321267 (1)321277 (2)321387 (1)321392 (3)321276 (2)321375 (1)321310 (1)321239 (1)EGA-3061 (1)321263 (1)321403 (2)321223 (2)321429 (4)321230 (1)321313 Seals (9)336054 (2)336055 (1)336013 (2)EOS-3305
34	CAT5S2106	SEAL, Pulley
35	CAT1607271	GASKET, Cam Cover (C15)



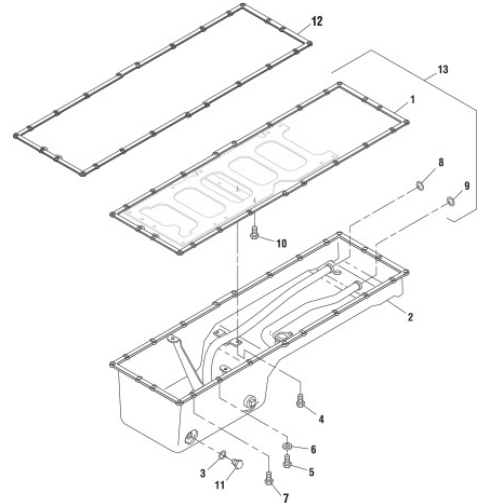
3406 E, C15, C16, C18 SERIES SECTION – CRANKSHAFT

KEY	OEM REF	DESCRIPTION
1	CAT6I1453	CRANKSHAFT (3406E/C15) (Bare)
1	N/A	CRANKSHAFT (C15-ACERT)
2	CAT1425867	SEAL, Front (Green)
3	CAT1425868	SEAL, Rear (Blue)
4	CAT2110592	BEARING, Pair (#1-7) (STD)
4	CAT4W5698	BEARING, Pair (#1-7) (.025in)
4	CAT4W5699	BEARING, Pair (#1-7) (.050in)
4	CAT4W5700	BEARING, Pair (#1-7) (OD+.025in) (STD ID)
4	CAT4W5701	BEARING, Pair (#1-7) (OD+.025in) (ID-.025in)
4	N/A	BEARING, Pair (#1-7) (.010in)
5	CAT7E9262	BEARING, Thrust Washer (2 pc) (STD)
6	CAT1678126	DAMPER
7	CAT1682100	PLATE, Spacer
8	CAT1084096	KIT, Damper Includes Damper (1)302010 Plate (1)302011
9	N/A	SET, Main Bearing (STD) Includes Bearings (7)370020 (2)370025
9	N/A	SET, Main Bearing (.025in) Includes Bearings (7)370021 (2)370025
9	N/A	SET, Main Bearing (.050in) Includes Bearings (7)370022 (2)370025
9	N/A	SET, Main Bearing (.010in) Includes Bearings (7)370026 (2)370025
10	CAT1W9302	GEAR, Crankshaft
10	CAT1368605	GEAR, Crankshaft (3406E)
10	CAT1878981	GEAR, Crankshaft
11	CAT4N0684	PIN, Flywheel Dowel
12	CAT7S5005	PIN, Gear Crank Dowel
13	CAT1601799	ASSEMBLY, Crankshaft (C15) Includes Crankshaft (1)370005 Gear (1)371631 Dowel Pins (1)345028 (1)345029
13	CAT1368882	ASSEMBLY, Crankshaft Includes Crankshaft (1)370005 Gear (1)371630 Dowel Pins (1)345028 (1) 345029
13	CAT3370201	ASSEMBLY, Crankshaft (C15-ACERT) Includes Crankshaft (1)370046 Gear (1)371631 Dowel Pins (1)345028 (1)345029



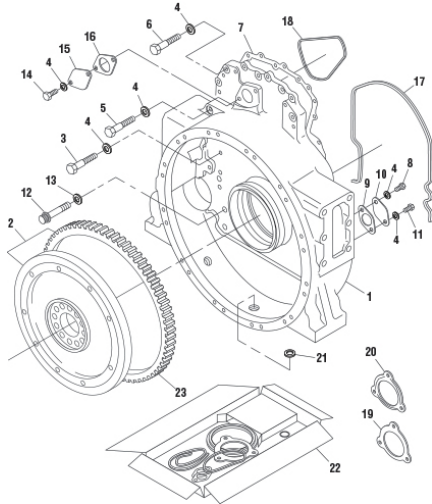
**3406 E, C15, C16, C18 SERIES SECTION – OIL PAN
3406E**

KEY	OEM REF	DESCRIPTION
1	CUM3044593	O-RING, Seal
2	N/A	GASKET, Pan (1 pc)
2	CAT4N1151	GASKET, Pan (Puzzle)
3	CAT0S1594	SCREW
4	CAT5M2894	WASHER
5	CAT7C3236	PAN, Oil
6	CAT2P3205	SCREW
7	CAT0S1591	SCREW
8	CAT0L1351	SCREW
9	CAT1090078	O-RING, Seal
10	CAT1090072	O-RING, Seal
11	CAT9X6451	PLUG, Oil Drain (Magnetic)
12	N/A	KIT, Oil Pan Gasket Includes Pan Gasket (1)331208 O-Rings (1)321221 (1)321212
13	N/A	KIT, Oil Pan Gasket Includes Pan Gaskets (2)331208 O-Rings (1)321221 (1)321212



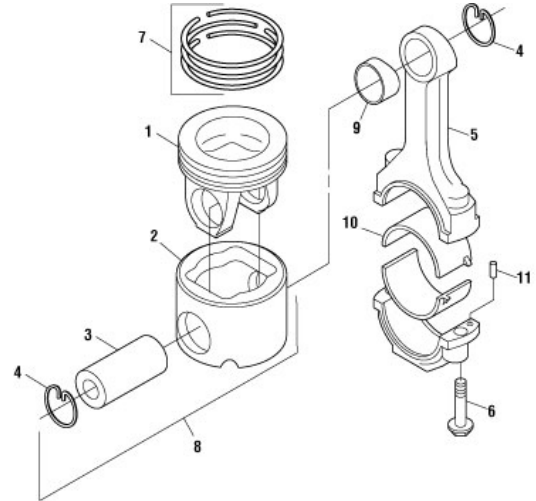
3406 E, C15, C16, C18 SERIES SECTION – OIL PAN - C15

KEY	OEM REF	DESCRIPTION
1	CAT1685248	GASKET, Oil Pan
2	CAT1601428	PAN, Deep Oil
2	CAT2273006	PAN, Oil (C15, ACERT)
2	CAT1601429	PAN, Oil (C15)
3	CAT121-0145	O-RING, Seal
4	CAT0L1351	SCREW
5	CAT0S1594	SCREW
6	CAT5M2894	WASHER
7	CAT0S1591	SCREW
8	CAT1090072	O-RING, Seal
9	CAT1090078	O-RING, Seal
10	CAT0S1588	SCREW
11	CAT9X6451	PLUG, Oil Drain (Magnetic)
12	CAT1685248	GASKET, Oil Pan
13	N/A	KIT, Oil Pan Gasket Includes Gasket (1)331218 O-Rings (1)321221 (1)321212
13	CAT3561385	KIT, Pan Gasket Includes Pan Gasket Kit (1)331152 O-Rings (3)131360 (2)321299 Isolator Assemblies (24)340090



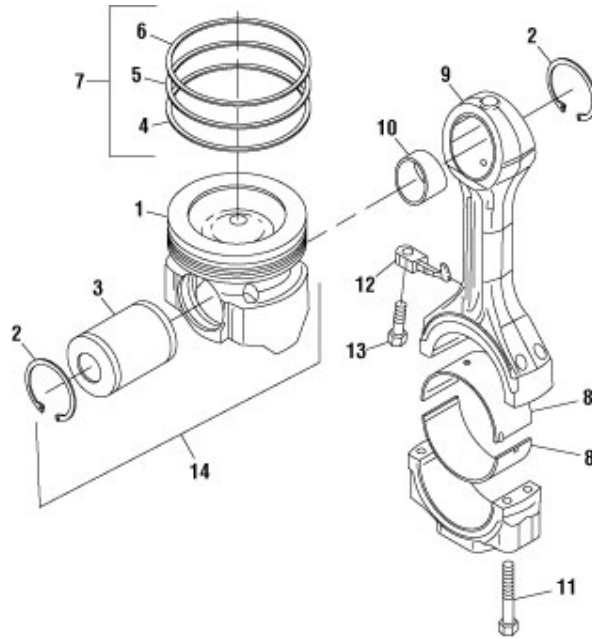
3406 E, C15, C16, C18 SERIES SECTION – FLYWHEEL HOUSING AND ASSEMBLY

KEY	OEM REF	DESCRIPTION
1	CAT1694153	HOUSING, Flywheel (C15)
1	CAT1302802	HOUSING, Flywheel
1	CAT130-2805	HOUSING, Flywheel (3406E)
2	CAT2569653	FLYWHEEL Assembly (C15)
2	CAT9N2648	FLYWHEEL Assembly (3406E)
3	CAT0S1571	BOLT (3/8in-16 x 1.75in)
4	ROK1229-K-1597	WASHER
5	CAT0T0573	BOLT (3/8in-16 x 2.75in)
6	CAT1653929	SCREW (C15)
6	MAK6AX1309X	SCREW (3/8in-16 x 1.5in)
7	CAT1555619	GASKET, Flywheel Housing (3406E)
8	CUM175833	SCREW (3/8in-16 x 1.25in)
9	CAT4N0933	GASKET
10	CAT2P2772	COVER
11	CAT0S1619	BOLT (3/8in-16 x 3in)
12	CAT5J5793	BOLT (1/2in-13 x 1.75in)
13	CAT5P8245	WASHER
14	MAK6AX1308X	SCREW (3/8in-16 x 1.25in)
15	CAT8F3030	FLANGE
16	CAT5H0244	GASKET, Cover
17	CAT2685582	GASKET, Cover
18	CAT2685589	GASKET, Cover
19	CAT4H7869	GASKET, Starter
20	CAT9Y6089	GASKET, Adapter
21	CAT2A1162	WASHER, Copper
22	CAT2323679	KIT, Rear Gasket (3406E) Includes Gaskets (1)331419 (1)331398 (1)331417 (1)331418 (2)331281 Seal (1)336012 Washer (1)342073 O-Rings (1)321310 (3)321209 (2)321265
22	CAT2341877	KIT, Rear Gasket (C15) Includes Gaskets (1)331425 91)331426 (1)331417 (2)331281 Seal (1)336012 O-Ring (1)321310 Ring (1)121285
22	CAT2853200	KIT, Rear Gasket (C15 ACERT) Includes Gaskets (1)331425 (1)331426 (1)331281 Seal (1)336012 O-Rings (3)121284 (1)321229 (1)321310 (1)321223
23	CAT2569651	GEAR, Flywheel Ring (C15)



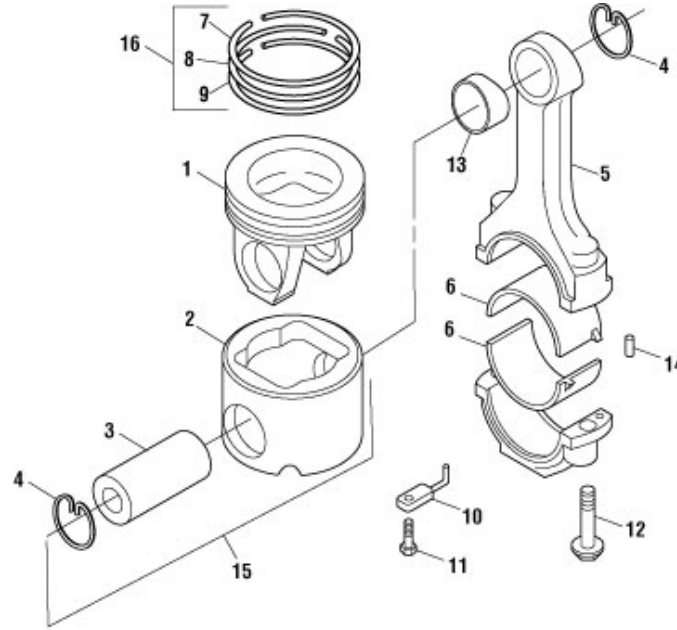
3406 E, C15, C16, C18 SERIES SECTION – PISTONS, ROD BEARING AND RING SETS – 3406E

KEY	OEM REF	DESCRIPTION
1	CAT1352837	CROWN (Updated to 311230 w/o Bushing)
1	CAT1495566	CROWN (16.25 CR) (Updated to 311232 w/o Bushing)
1	CAT1807352	CROWN (16.0 CR) (Updated to 311250 w/o Bushing)
1	N/A	CROWN(w/o Bushing)(Replaces 311130)
1	N/A	CROWN(w/o Bushing)(Replaces 311132)
1	N/A	CROWN(w/o Bushing)(Replaces 311150)
1	CAT1365201	CROWN
2	CAT1300241	SKIRT
2	CAT1326663	SKIRT
2	CAT1365202	SKIRT
3	CAT1687246	PIN
4	CAT7E1177	RING, Retaining
5	CAT9Y6054	ROD, Connecting
6	CAT7E4195	BOLT, Connecting Rod
6	CAT9Y6053	BOLT, Connecting Rod
7	N/A	SET, Ring
7	CAT1W8922	SET, Ring
8	N/A	KIT, Piston (Updated to Kit 311255) Includes Crown (1)311130 Skirt (1)311121 Pin (1)311004 Rings (2)GRI-2703
8	N/A	KIT, Piston (Updated to Kit 311256) Includes Crown (1)311132 Skirt (1)311121 Pin (1)311004 Rings (2)GRI-2703
8	N/A	KIT, Piston (Updated to Kit 311251) Includes Crown (1)311150 Skirt (1)311155 Pin (1)311004 Rings (2)GRI-2703
8	N/A	KIT, Piston (w/o Bushing)(Replaces 311151) Includes Crown (1)311250 Skirt (1)311155 Pin (1)311004 Rings (2)GRI-2703
8	N/A	KIT, PistonPiston (w/o Bushing) (Replaces 311133) Includes Crown (1)311230 Skirt (1)311121 Pin (1)311004 Rings (2)GRI--2703
8	N/A	KIT, Piston (w/o Bushing) (Replaces 311135) Includes Crown (1)311232 Skirt (1)311121 Pin (1)311004 Rings (2)GRI-2703
9	CAT6I2726	BUSHING, Pin
10	CAT9Y7735	BEARING, Rod (STD)
10	CAT7E0558	BEARING, Rod (.025in)
10	CAT7E0559	BEARING, Rod (.050in)
10	N/A	BEARING, Rod (.010in)
11	CAT7N2043	DOWEL



3406 E, C15, C16, C18 SERIES SECTION – PISTONS, ROD BEARING AND RING SETS – C15 - ONE PIECE MONOTHERM PISTON

KEY	OEM REF	DESCRIPTION	KEY	OEM REF	DESCRIPTION
1	CAT3564787	PISTON, Monotherm	8	CAT2323236	BEARING, Rod (.050)
1	CAT3196715	PISTON (C16, C18)	8	CAT2323226	BEARING, Rod (STD) (C18)
1	CAT2520656	PISTON (C16, C18) (Monotherm)	8	CAT3410060	BEARING, Rod (.025in) (C18)
1	CAT3466615	PISTON (C16, C18) (Monosteel)	9	CAT10R2117	ROD, Connecting
1	CAT3569946	PISTON (C15 ACERT)	10	CAT229-6259	BUSHING, Pin (C15 ACERT/ Industrial)
1	CAT3889354	PISTON (C15)	11	CAT213-3217	BOLT (M11 x 1.25 x 84)
2	CAT2502940	RETAINER	12	CAT1979336	NOZZLE, Piston Cooling
3	CAT1807350	PIN, Piston	13	CAT151-5925	BOLT (7/16in-14)
4	CAT2380294	RING, Oil Control	14	N/A	KIT, Piston Includes Piston (1)311107 Pin (1)311080 Retainers (2)311009
4	CAT3064014	RING, Oil Control	14	N/A	KIT, Piston (C16, C18) Includes Piston (1)311180 Pin (1)311080 Retainers (2)311009
4	CAT2465659	RING, Oil Control	14	N/A	KIT, Piston (C16) Includes Piston (1)311184 Pin (1)311080 Retainers (2)311089
5	CAT1765749	RING, Intermediate	14	N/A	KIT, Piston (C16) Includes Piston (1)311194 Pin (1)311080 Retainers (2)311009
5	CAT2P2817	RING, Intermediate (C15 Industrial)	14	N/A	KIT, Piston (C15 ACERT) Includes Piston (1)311201 Pin (1)311080 Retainers (2)311009
5	CAT2382707	RING, Intermediate	14	N/A	KIT, Piston (C15) Includes Piston (1)311203 Pin (1)311080 Retainers (2)311009
5	CAT1871503	RING, Intermediate			
6	CAT2476130	RING, Compression (C15 Industrial)			
6	CAT1777496	RING, Compression			
6	CAT2239159	RING, Compression			
7	N/A	SET, Ring (C15 Industrial) Includes Rings (1)305002 (1)305007 (1)305009			
7	N/A	SET, Ring Includes Rings (1)305006 (1)305007 (1)305009			
7	N/A	SET, Ring (C15 Industrial) Includes Rings (1)305002 (1)305012 (1)305009			
7	N/A	SET, Ring Includes Rings (1)305002 (1)305012 (1)305044			
7	N/A	SET, Ring (C18) Includes Rings (1)305078 (1)305079 (1)305080			
7	N/A	SET, Ring (C18) Includes Rings (1)305078 (1)305088 (1)305080			
8	CAT2243246	BEARING, Rod (STD)			
8	CAT2323235	BEARING, Rod (.025)			



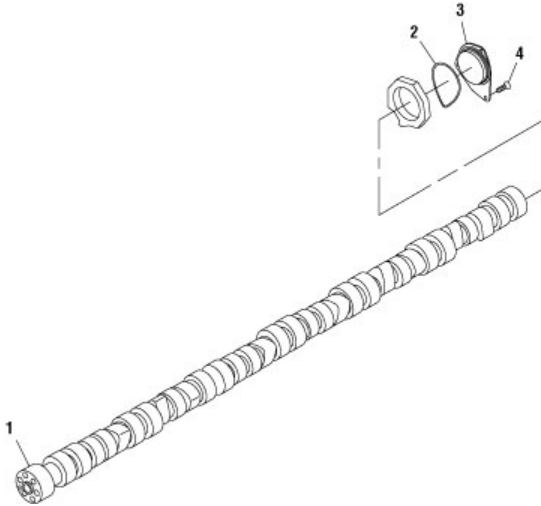
3406 E, C15, C16, C18 SERIES SECTION – PISTONS, ROD BEARING AND RING SETS – C15/C16 - TWO PIECE

KEY	OEM REF	DESCRIPTION	KEY	OEM REF	DESCRIPTION
1	CAT2212305	CROWN (16.25 CR)	15	N/A	KIT, Piston (Updated to Kit 311253) Includes Crown (1)311148 Skirt (1)311155 Pin (1)311004 Retainers (2)GRI-2703
1	CAT2250115	CROWN (16.6 CR)	15	N/A	KIT, Piston (Updated to Kit 311254) Includes Crown (1)311149 Skirt (1)311155 Pin (1)311004 Retainers (2)GRI-2703
1	CAT1807351	CROWN (18.0 CR)	15	N/A	KIT, Piston (C16) Includes Crown (1)311189 Skirt (1)311189 Pin (1)311004 Retainers (2)GRI-2703
1	CAT1807352	CROWN (16.0 CR) (w/Bushing) (Updated to 311250)	15	N/A	KIT, Piston (C16) Includes Crown (1)311182 Skirt (1)311189 Pin (1)311004 Retainers (2)GRI-2703
1	CAT1928810	CROWN (C16, C18)	15	N/A	KIT, Piston (C15) (w/o Bushing) (Replaces 311151) Includes Crown (1)311250 Skirt (1)311155 Pin (1)311004 Rings (2)GRI-2703
1	CAT1398500	CROWN (16.0 CR) (C16)	15	N/A	KIT, Piston (w/o Bushing) (Replaces 311154) Includes Crown (1) 311248 Skirt (1)311155 Pin (1)311004 Rings (2)GRI-2703
1	N/A	CROWN (w/o Bushing)(Replaces 311148)	15	N/A	KIT, Piston (w/o Bushing) (Replaces 311167) Includes Crown (1)311249 Skirt (1)311155 Pin (1)311004 Rings (2)GRI-2703
1	N/A	CROWN (w/o Bushing)(Replaces 311149)	16	N/A	SET, Ring Includes Rings (1)305011 (1)305007 (1)305008
1	N/A	CROWN (w/o Bushing)(Replaces 311150)	16	N/A	SET, Ring (C16) Includes Rings (1)305041 (1)305042 (1)305043
2	CAT1326663	SKIRT	16	N/A	SET, Ring (C16) Includes Rings (1)305041 (1)305039 (1)305043
2	CAT2846039	SKIRT (C16)			
3	CAT1687246	PIN			
4	MAK97AX126	RETAINER			
5	CAT9Y6054	ROD, Connecting			
6	CAT2323226	BEARING, Rod (STD) (C18)			
6	CAT3410060	BEARING, Rod (.025in) (C18)			
6	CAT9Y7735	BEARING, Rod (STD)			
6	CAT7E0558	BEARING, Rod (.025in)			
6	CAT7E0559	BEARING, Rod (.050in)			
6	N/A	BEARING, Rod (.010in)			
7	CAT1777496	RING, Compression (C15)			
7	CAT1534101	RING, Compression (C16)			
8	CAT1765749	RING, Intermediate (C15)			
8	CAT1471730	RING, Intermediate (C16)			
8	CAT1398504	RING, Intermediate (C16)			
9	CAT1899771	RING, Oil Control (C15)			
9	CAT1398505	RING, Oil Control (C16)			
10	CAT1979336	NOZZLE, Piston Cooling			
11	CAT1515925	SCREW, Nozzle			
12	CAT7E4195	BOLT, Connecting Rod			
13	CAT6I2726	BUSHING, Pin			
14	CAT7N2043	DOWEL			
15	N/A	KIT, Piston Includes Crown (1)311108 Skirt (1)311155 Pin (1)311004 Retainers (2)GRI-2703			
15	N/A	KIT, Piston(w/ Bushing)(Updated to 311251) Includes Crown (1)311150 Skirt (1)311155 Pin (1)311004 Retainers (2)GRI-2703			



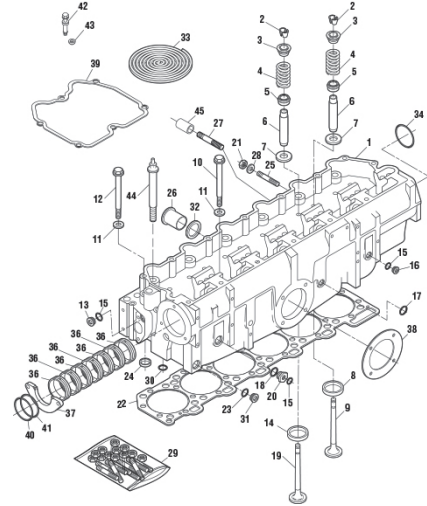
**3406 E, C15, C16, C18 SERIES SECTION –
CYLINDER KITS**

KEY	OEM REF	DESCRIPTION	KEY	OEM REF	DESCRIPTION
1	N/A	Kit , Cylinder (C16, C18) Includes Piston Kit (1)311181 Liner Kit (1)361624 Ring Set (1)305077	1	N/A	KIT, Cylinder (C15 - Monotherm Piston) Includes Piston Kit (1)311137 Liner (1)361610 O-Ring Kit (1)321204 Ring Set (1)305003
1	N/A	KIT, Cylinder (C15) Includes Piston Kit (1)311185 Liner Kit (1)361621 Ring Set (1)305014	1	N/A	KIT, Cylinder (C15) (Updated to Kit 301078) Includes Piston Kit (1)311167 Liner (1)361620 O-Ring Kit (1)321351 Ring Set (1)305005
1	N/A	KIT, Cylinder (C16) Includes Piston Kit (1)311195 Liner Kit (1)361621 Ring Set (1)305045	1	N/A	KIT, Cylinder (C15) Includes Piston Kit (1)311202 Liner (1)361620 O-Ring Kit (1)321351 Ring Set (1)305003
1	N/A	KIT, Cylinder (3406E, C15) (w/ Bushing) (Updated to Kit 301064) Includes Piston Kit (1)311151 Liner (1)361610 O-Ring Kit (1)321204 Ring Sets (2)305005	1	N/A	KIT, Cylinder (3406E w/o Bushing) (Replaces 301055) Includes Piston Kit (1)311255 Liner (1)361610 O-Ring Kit (1)321204 Ring Set (1)305010
1	N/A	KIT, Cylinder (3406E) (Updated to Kit 301075) Includes Piston Kit (1)311133 Liner (1)361610 O-Ring Kit (1)321204 Ring Sets (2)305010	1	N/A	KIT, Cylinder (3406E w/o Bushing) (Replaces 301056) Includes Piston Kit (1)311256 Liner (1)361610 O-Ring Kit (1)321204 Ring Set (1)305010
1	N/A	KIT, Cylinder (3406E) (Updated to Kit 301076) Includes Piston Kit (1)311135 Liner (1)361610 O-Ring Kit (1)321204 Ring Sets (2)305010	1	N/A	KIT, Cylinder (C15 w/o Bushing) (Replaces 301070) Includes Piston Kit (1)311253 Liner (1)361610 O-Ring Kit (1)321204 Ring Set (1)305010
1	N/A	KIT, Cylinder (C15)(w/o Bushing) (Replaces 301054) Includes Piston kit (1)311251 Liner (1)361620 O-Ring Kit (1)321351 Set (1)305005	1	N/A	KIT, Cylinder (C15 w/o Bushing) (Replaces 301072) Includes Piston Kit (1)311254 Liner (1)361610 O-Ring Kit (1)321204 Ring Set (1)305005
1	N/A	KIT, Cylinder (C15) Includes Piston Kit (1)311204 Ring Set (1)305045 Liner Kit (1)361621	1	N/A	KIT, Cylinder (C16) Includes Piston Kit (1)311191 Liner (1)361612 O-Ring Kit (1)321204 Ring Set (1)305038
1	N/A	KIT, Cylinder (C15) Includes Piston Kit (1)311109 Liner (1)361620 O-Ring Kit (1)321351 Ring Set (1)305004	1	N/A	KIT, Cylinder (C16) Includes Piston Kit (1)311190 Liner (1)361612 O-Ring Kit (1)321204 Ring Set (1)305040
1	N/A	KIT, Cylinder (C15) (Updated to Kit 301077) Includes Piston Kit (1)311154 Liner (1)361610 O-Ring Kit (1)321204 Ring Set (1)305004			



3406 E, C15, C16, C18 SERIES SECTION – CAMSHAFT

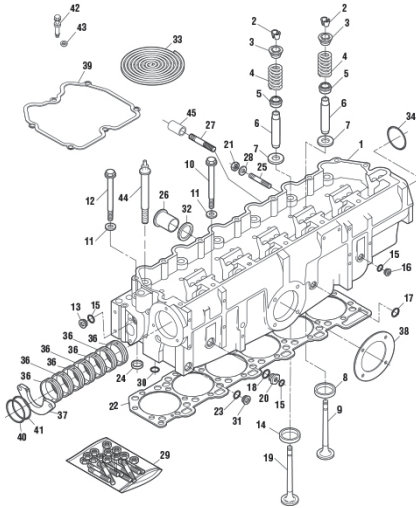
KEY	OEM REF	DESCRIPTION
1	CAT1390538	CAMSHAFT
1	CAT1879381	CAMSHAFT (3406E)
1	CAT1439153	CAMSHAFT (3406E)
1	CAT3327299	CAMSHAFT (C15 ACERT)
2	CAT6V1197	O-RING
3	CAT102-9089	COVER
4	CAT119-0036	SCREW



3406 E, C15, C16, C18 SERIES SECTION – CYLINDER HEAD

KEY	OEM REF	DESCRIPTION
1	CAT2454324	HEAD, Cylinder (Bare)
1	CAT1872110	HEAD, Cylinder (Loaded) Includes Bare Head (1)360434 Valves (12)391954 (12)391963 Seats (24)392070 Rotators (24)392035 Springs (24)392049 (24)392050 Collets (48)192024 Seals (24)392011
1	CAT2237263	HEAD, Cylinder (C15) (Bare)
1	CAT2635055	HEAD, Cylinder (C15) (Loaded) Includes Bare Head (1)360460 Valves (12)391954 (12)391963 Seats (24)392070 Rotators (24)392035 Springs (24)392049 (24)392050 Collets (48)192024 Seals (24)392011
1	CAT132-9976	HEAD, Cylinder
2	CAT4P4661	COLLET, Retainer
2	CAT2A4429	COLLET, Retainer
3	CAT4P4962	ROTATOR
3	CAT1862001	ROTATOR (C15)
4	CAT1027665	SPRING, Valve
4	CAT2479908	SPRING, Valve (C15) (Outer)
4	CAT2113122	SPRING, Valve (C15) (Inner)
5	CAT1632478	SEAL, Valve
6	CAT122-7375	GUIDE, Valve (Finished)
7	CAT6I0928	SEAT, Valve Spring
8	CAT1527582	INTAKE, Valve (STD) (Exhaust)
8	CAT1704737	INSERT, Exhaust (.51mm)
8	CAT1670642	INSERT, Exhaust (.76mm)
9	CAT1537024	VALVE, Exhaust
10	CAT1241855	BOLT, Cylinder Head (3/4in-16 x 7.63in)
11	CAT5H1504	WASHER
12	CAT1241854	BOLT, Cylinder Head (3/4in-16 x 8.5in)
13	CAT9S8004	PLUG (9/16in - 18)
14	CAT1753617	INSERT, Valve (STD) (Intake)
14	CAT1704738	INSERT, Intake (.51mm)
14	CAT1670643	INSERT, Intake (.76mm)
15	CAT2147568	O-RING
15	CAT6V5049	O-RING

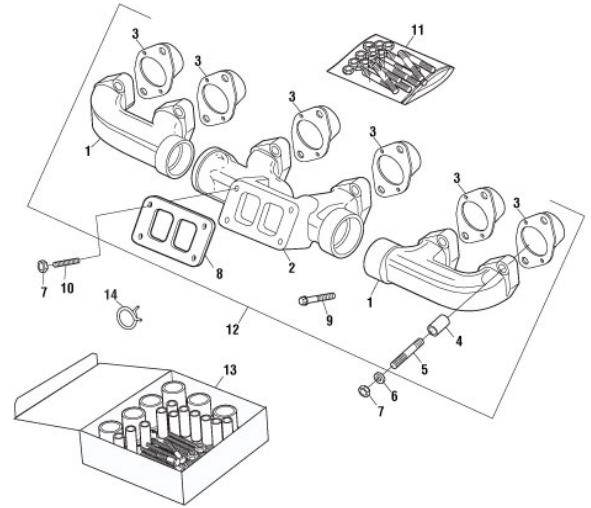
Continued



3406 E, C15, C16, C18 SERIES SECTION – CYLINDER HEAD

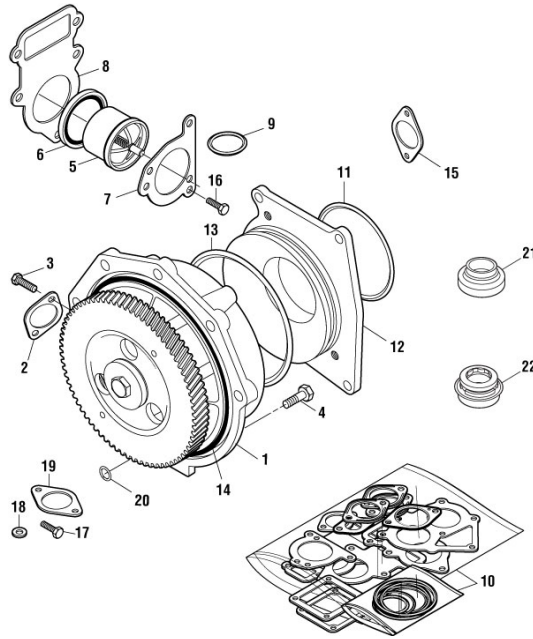
Continued

KEY	OEM REF	DESCRIPTION
16	CAT9S4149	PLUG (9/16in - 18)
17	CAT8L2786	O-RING, Fitting
18	CAT6V5050	O-RING
19	CAT1537023	VALVE, Intake
19	CAT236-5605	VALVE, Intake (C15)
20	CAT2P8421	ADAPTER
21	N/A	KIT, Cylinder Head Reman Includes Valve Guides (24)391994 Colletts (48)192024 Valve Seals (24)392011 Cam Bearings (7)351553 Injector Sleeves (6)392087 O-Ring Kit Injector (1)321318
22	CAT1539653	GASKET, Cylinder Head
23	CAT6V3251	O-RING
24	CAT3E6772	SEAL, Head Gasket
25	CAT2245126	SCREW, Cylinder Head (C15 ACERT)
26	CAT1497378	GROMMET, Valve Cover
27	CAT2431159	ASSEMBLY, Valve Cover Isolator
28	CAT1178801	O-RING
29	CAT5E8771	O-RING
30	CAT5P0840	O-RING
31	CAT9S4190	PLUG
32	CAT2429537	GASKET, Valve Cover (C15)
33	CAT5P5678-3	GASKET, Valve Cover (3M)
33	CAT5P5678	GASKET, Valve Cover (96M) (Use as required)
33	CAT5P5678-6	GASKET, Valve Cover (6M)
33	CAT5P5678-4	GASKET, Valve Cover (4M)
33	CAT5P5678-8	GASKET, Valve Cover (8M)
33	CAT5P5678-9	GASKET, Valve Cover (9M)
34	CAT6V1197	O-RING, Cam Plate
35	CAT1013125	GASKET, Air Inlet
36	CAT4P5053	BEARING, Cam (STD) (#1-7)
36	CAT2170751	BEARING, Cam (.010 OD) (#1-7)
36	CAT2170752	BEARING, Cam (.030 OD) (#1-7)
37	CAT1025861	BEARING, Cam Thrust



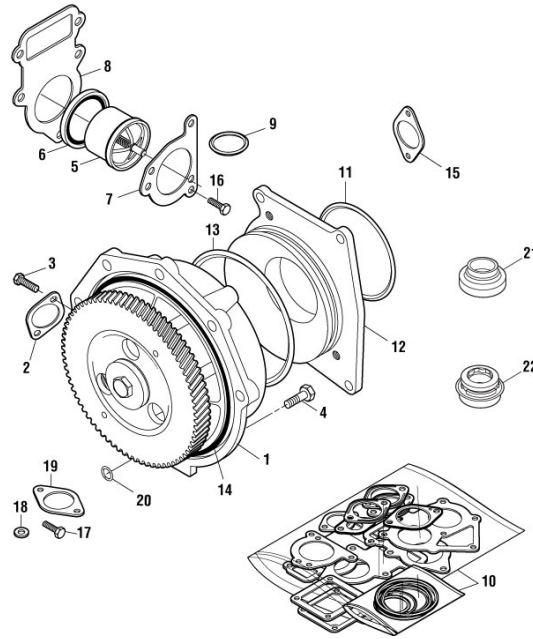
3406 E, C15, C16, C18 SERIES SECTION – 3406E/C15 EXHAUST MANIFOLD

KEY	OEM REF	DESCRIPTION
1	CAT1333359	MANIFOLD, Exhaust (Front/Rear)
2	CAT1469445	MANIFOLD, Exhaust (Front/Rear)
2	CAT1501914	MANIFOLD, Exhaust (Center)
3	CAT1384611	GASKET, Exhaust
3	CAT2818261	GASKET, Exhaust Manifold Assembly (Sleeve w/Gasket)
3	CAT2338014	GASKET, Exhaust
4	CAT1083612	SPACER, Exhaust Stud
5	CAT1061792	STUD, Exhaust Manifold (3/8in x 16 x 3.93in)
5	CAT1061793	STUD, Exhaust Manifold (3/8in x 16 x 2.38in)
6	CAT5M2894	WASHER, Exhaust Stud
7	CAT2N2766	NUT, Flanged Locking Exhaust Stud (3/8in x 16)
8	CAT1S4295	GASKET, Turbocharger (3406E)
8	CAT2746851	GASKET, Turbocharger (C15)
9	CAT2N2765	SCREW, Turbocharger Mounting (3/8 x 16 x 1.75in)
10	CAT3139550	STUD, Turbocharger Mounting (3/8in x 16 x 2.16in)
11	N/A	KIT, Exhaust Manifold Stud Includes Studs (11)340110 (1)340111 Nuts (12)340061
11	N/A	KIT, Exhaust Manifold Stud Includes Studs (12)340110 Nuts (12)340061
12	N/A	KIT, Exhaust Manifold Includes End Manifolds (2)381231 Center Manifold (1)381233 Gaskets (6)331289 (1)331212 Screws (4)340015
12	N/A	KIT, Exhaust Manifold Includes End Manifolds (2)381231 Center Manifold (1)381230 Gasket Assemblies (6)331374 Screws (4)340015 Stud Kit (1)340106 Nuts (4)340061
13	N/A	KIT, Manifold Hardware Includes Gasket Assemblies (6)331374 Stud Kit (1)340106 Spacers (11)340140 Spacer (1)340137 Screws (4)340015 Nuts (4)340061
14	CAT1440367	CLAMP, Hose



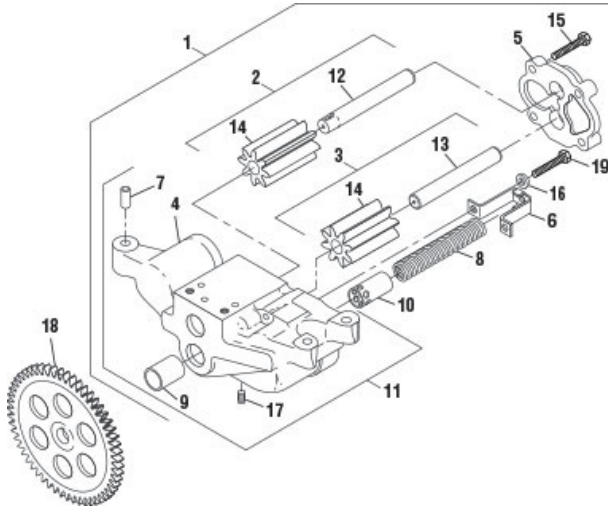
3406 E, C15, C16, C18 SERIES SECTION – WATER PUMP

KEY	OEM REF	DESCRIPTION	KEY	OEM REF	DESCRIPTION	
1	CAT1354925	PUMP, Water Assembly Includes Gasket (1)331372 O-Rings (1)TGA-9914 (1)321278 (1)321277	11	CAT1090077	O-RING, Oil Cooler	
1	CAT161-5719	PUMP, Water Assembly Includes Gasket (1)331372 O-Rings (1)TGA-9914 (1)321277 (1)321278 (1)321303	12	CAT7C9222	ADAPTER (Aluminum)	
1	CAT2243238	PUMP, Water Assembly (C15) Includes Gasket (1)331372 O-Rings (1)321278 (1)321277 (1)321392(1)321391 (1)321324	13	CAT9M3786	O-RING	
2	CAT7C0307	GASKET, Water Connector	14	CAT1223772	O-RING	
2	CAT1L8212	GASKET, Water Connector	15	CAT4F3602	GASKET, Water (Connector Heat Exchanger) (Marine)	
2	CAT1250434	GASKET, Water Connector	16	CAT0S1619	BOLT	
3	CAT0S1594	SCREW (3/8in-16 x 1in)	17	CAT0L1351	SCREW	
4	CAT0S1591	SCREW (3/8in-16 x 1-1/2in)	18	CAT5M2894	WASHER	
5	CAT1209453	THERMOSTAT (170 deg) (Non-vented)	19	CAT4N0933	GASKET	
5	CAT6I4950	THERMOSTAT (180 deg) (Non-vented)	20	CAT1565198	O-RING	
5	CAT7C3095	THERMOSTAT (190 deg) (Non-vented)	21	CAT1531256	SEAL, Water Pump	
5	CAT2848264	THERMOSTAT (190 deg) (Vented)	22	CAT3362212	SEAL, Water Pump	
6	CAT3S9643	SEAL				
7	CAT4N1156	GASKET, Regulator Cover				
8	CAT4W4014	GASKET, Regulator Housing				
8	CAT9Y2588	GASKET, Regulator Housing				
8	CAT1048585	GASKET, Regulator Housing				
8	CAT1393550	GASKET, Regulator Housing				
9	CAT1090076	O-RING				
10	CAT1282922	KIT, Gasket Includes Gaskets (1)331371 (1)331251 (1)331301 (1)331281 (1)331285 (1)331283 (3)331249 (1)331284 (1)331290 (1)331372 (1)331347 O-Rings (1)TGA-9914 (1)321217 (3)321278 (1)321277				



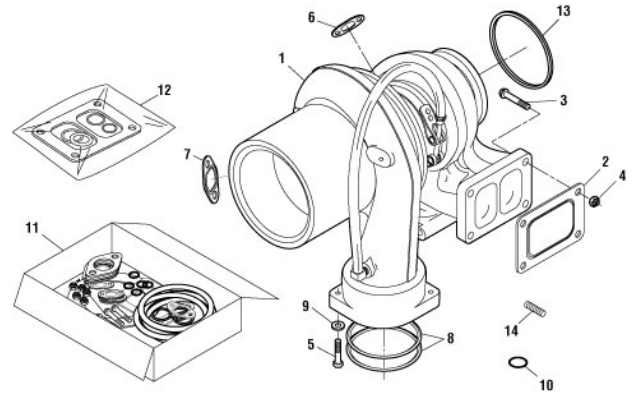
3406 E, C15, C16, C18 SERIES SECTION – OIL COOLER

KEY	OEM REF	DESCRIPTION	KEY	OEM REF	DESCRIPTION
1	CAT7C3039	COOLER, Oil	11	CAT2233344	KIT, Oil Cooler Gasket Includes Gaskets (1)331272 (1)331387 (1)331301 O-Rings (2)121308 (3)321278 (1)121284 (1)321239 (1)321294 (1)321276 (2)321299 (2)321298
1	CAT2237962	COOLER, Oil	11	CAT3478682	KIT, Oil Cooler Gasket Includes Gasket (1)331387 O-Rings (2)121308 (3)321278 (2)321294 (1)321223 (2)321276 (2)321299 (1)321300 (2)321298
2	CAT1090077	O-RING	11	CAT1891814	KIT, Oil Cooler Gasket Includes Gaskets (1)331372 (2)331394 O-Rings (3)321278 (2)321298 (2)321294 (2)321276 (2)121308 (2)321299
3	CAT1264935	GASKET, Oil Cooler	11	CAT1415787	KIT, Oil Cooler Gasket Includes Gaskets (1)331372 (1)331394 (1)331387 O-Rings (3)321278 (1)121284 (2)321300 (2)321276 (2)321294 (2)321328 (2)321299 (2)321324 (2)121308
4	MAK6AX1308X	SCREW (3/8in-16 x 1-1/4in)	12	CAT2P3760	GASKET
5	ROK1229-K-1597	WASHER	13	CAT6V3908	O-RING
6	CAT4N1135	GASKET, Water Connector	14	CUM3678756	O-RING
6	CAT1250434	GASKET, Water Connector	15	CAT5P7701	O-RING
6	CAT1W2636	GASKET, Water Connector	15	CAT5P7816	O-RING
7	ROKS-268-1	SCREW (3/8in-16 x 1in)	16	CUM3330159	O-RING, Sensor
8	CAT8T6767	PLUG	17	CAT5P3501	ADAPTER
9	MAK49AX234Z	PLUG, Pipe (1/2in-14)	18	CAT8T6765	PLUG
10	CAT129-3172	STUD	19	CAT2P4305	GASKET, Oil Filter Base
11	CAT3483682	KIT, Oil Cooler Gasket (C15 ACERT) Includes O-Rings (7)121284 (2)321298 (2)321278 (1)321368 (1)321392 (1)EGA-3062 (1)321392 (2)321276 (1)321391 (2)121252 (2)321228 (5)321231 (9)321229 (1)321239 (6)EGA-3061 (2)321294 (2)321299 (1)321223 (2)321385 (4)321319 (2)121308 (1)321324 Gaskets (1)331372 (2)331394	20	CAT9S4191	PLUG
11	CAT1153657	KIT, Oil Cooler Gasket Includes Gaskets (1)331372 (1)331387 (2)331388 (1)331281 O-Rings (3)321278 (1)321239 (2)321293 (1)121284 (2)121308 (1)321228 (2)321294	21	CAT0617540	O-RING
11	CAT1002937	KIT, Oil Cooler Gasket Includes Gaskets (1)331372 (2)331388 (1)331387 O-Rings (2)321228 (2)121308 (5)321278 (2)321239 (2)321294 (1)321209	22	CAT3P0650	O-RING
11	CAT1127993	KIT, Oil Cooler Gasket Includes Gaskets (1)331372 (2)331388 (1)331387 O-Rings (1)321228 (2)121308 (2)321278 (2)321294 (3)321301	23	CAT8C0624	O-RING, Filter Base
			24	CAT5E8767	O-RING



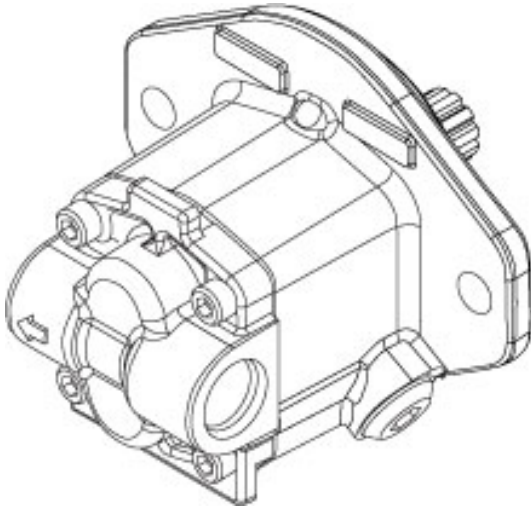
3406 E, C15, C16, C18 SERIES SECTION – OIL PUMP

KEY	OEM REF	DESCRIPTION
1	CAT4N0733	PUMP, Oil (3406 B & E)
1	CAT4N8734	PUMP, Oil (3406 C, E & C15)
2	CAT1W7238	SHAFT, Drive Includes Shaft (1)341323 Gear (1)341330
3	CAT1W7239	SHAFT, Idler Includes Shaft (1)341324 Gear (1)341330
4	CAT6N1028	HOUSING, Pump
5	CAT7C6498	COVER, Pump
6	CAT9Y1792	RETAINER, Spring (341312 Pump)
6	CAT9Y1800	RETAINER, Spring (341311 Pump)
7	CAT8M8489	DOWEL
8	CAT2S2760	SPRING, Relief
9	CAT7N2156	BUSHING
10	CAT6N1931	PLUNGER, Relief
11	CAT2369918	ASSEMBLY, Housing Includes Housing (1)341340 Bushings (2)351520 Dowels (2)351521
12	N/A	SHAFT, Drive
13	N/A	SHAFT, Idler
14	N/A	GEAR
15	CAT2P3205	SCREW, Flanged Hex (3/8-16 x 1-3/4in)
16	CAT5M2894	WASHER
17	CAT2S7905	PLUG
18	CAT1499110	GEAR, Drive Pump
19	CAT1M0644	SCREW (3/8-16 x 2-1/4in)



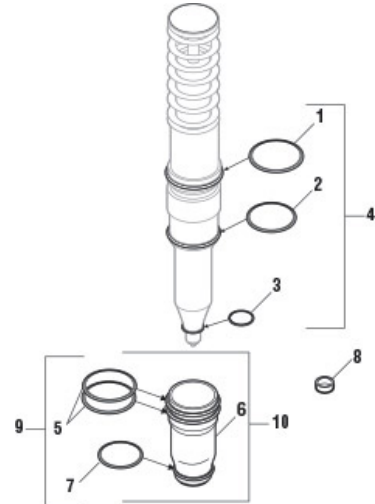
3406 E, C15, C16, C18 SERIES SECTION – TURBOCHARGER

KEY	OEM REF	DESCRIPTION
1	CAT1464328	TURBOCHARGER (3406 E)
1	CAT1323649	TURBOCHARGER (3406 E)
1	CAT1965952	TURBOCHARGER
1	CAT2221133	TURBOCHARGER (C15)
1	CAT1965951	TURBOCHARGER (C15)
1	CAT10R1888	TURBOCHARGER (C15 ACERT)
1	CAT1767716	TURBOCHARGER (3406E, C15)
2	CAT1S4295	GASKET, Turbocharger
2	CAT2746851	GASKET, Turbocharger (C15, C13)
3	CAT2N2765	SCREW, Turbocharger Mounting
4	CAT2N2766	NUT, Turbocharger Mounting (3/8in-16)
5	ROKS-268-1	SCREW
6	CAT6J2245	O-RING, Turbocharger Oil Pressure
6	CAT1986068	GASKET, Turbocharger Oil Pressure
6	CAT1978418	GASKET, Turbocharger Oil Pressure
7	CAT617539	O-RING, Turbocharger Oil Drain
7	CAT1262702	GASKET, Turbocharger Oil Drain
7	CAT1978419	GASKET, Turbocharger Oil Drain
8	CAT5H7704	O-RING, Intake Hose
9	ROK1229-K-1597	WASHER
10	CAT1367226	O-RING, Oil Cooler to Turbocharger
11	CAT3252721	KIT, Turbocharger O-Ring Includes O-Rings (1)321280 (1)EF30190 (1)321209 (1)321305 (2)321233 (1)321228 Gaskets (1)331369 (1)331214 (1)331213 (1)331301 (1)331212 Screws (4)340015 Nuts (4)340061
12	CAT1127996	KIT, Turbocharger Mounting Includes Gasket (1)331212 O-Rings (1)321209 (1)321249 (1)121256 (1)121284
12	CAT2903986	KIT, Turbocharger Mounting (ACERT) Includes Gaskets (2)331276 (2)331274 (1)331563 (1)331275 (1)331277 O-Rings (2)321426 (1)121284 (1)321231 (2)321279
12	CAT4588201	KIT, Turbocharger Mounting (C15, C18) Includes Gaskets (1)331212 (1)331214 (1)331213 Screws (4)340015 Nuts (4)340061 O-Ring (1)321209
13	CAT2253102	GASKET, Exhaust (C15)
14	CAT3139550	STUD (3/8in - 16)



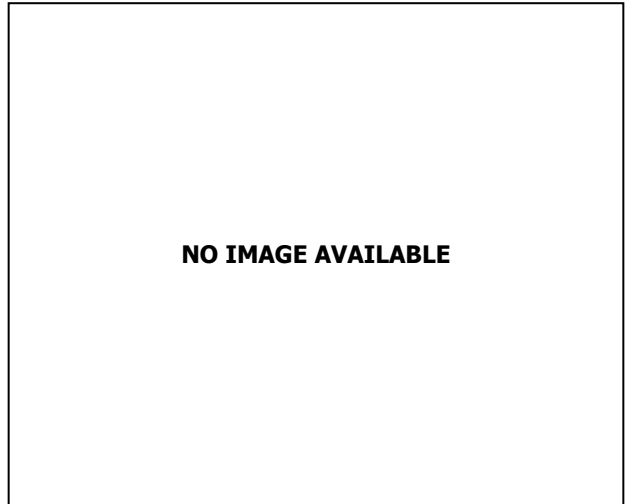
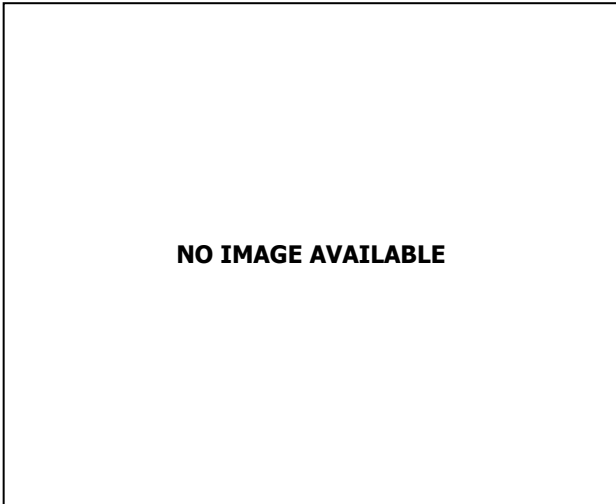
3406 E, C15, C16, C18 SERIES SECTION – FUEL INJECTION COMPONENTS – FUEL SUPPLY PUMP

KEY	OEM REF	DESCRIPTION
1	CAT3848611	PUMP, Fuel Supply (3406 E, C15)
1	CAT1W1700	PUMP, Fuel Supply (3406 B,C)
1	CAT3848612	PUMP, Fuel Supply



3406 E, C15, C16, C18 SERIES SECTION – FUEL INJECTION COMPONENTS

KEY	OEM REF	DESCRIPTION
1	CAT9X7419	O-RING, Injector
1	CAT2153198	O-RING, Injector
2	CAT9X7418	O-RING, Injector
2	CAT2303728	O-RING, Injector
3	CAT9X7317	O-RING, Injector
4	CAT2481394	KIT, Injector O-Ring Includes O-Rings (1)321282 (1)321327 (1)321284
5	CAT1662903	O-RING, Injector Sleeve
5	CAT166-2904	O-RING, Injector Sleeve
6	CAT2634920	SLEEVE, Injector
6	CAT166-3739	SLEEVE, Injector
7	CAT9X7430	O-RING
8	CAT8H9204	SEAL, Felt
9	N/A	KIT, Injector Sleeve O-Ring Includes O-Rings (6)321266 (6)321268 (6)321269
9	N/A	KIT, Injector Sleeve O-Ring (C15 Acert) Includes O-Rings (6)321266 (12)321269
10	N/A	KIT, Injector Sleeve Includes Sleeve (1)392087 O-Rings (6)321266 (12)321269

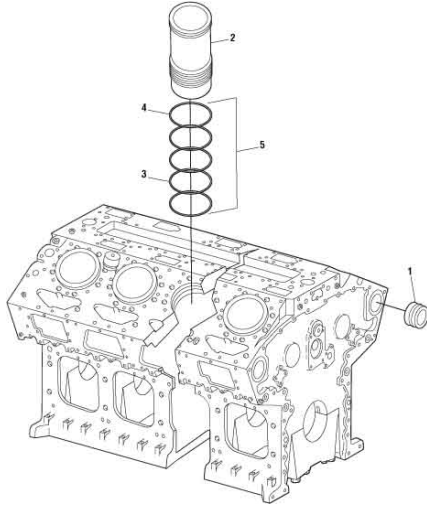


3406 E, C15, C16, C18 SERIES SECTION – ENGINE GASKET KITS

KEY	OEM REF	DESCRIPTION
1	CAT3164810	KIT, Upper Gasket (C15)
1	CAT2486740	KIT, Upper Gasket (C15)
1	CAT2161252	KIT, Upper Gasket
2	N/A	KIT, Overhaul Gasket (C15) (SDP)
2	N/A	KIT, Overhaul Gasket (3406E)
2	N/A	KIT, Overhaul Gasket (3406 E)
2	N/A	KIT, Overhaul Gasket (C15)
2	N/A	KIT, Overhaul Gasket (C15-Monotherm Piston)
2	N/A	KIT, Overhaul Gasket (C15) (JRE)
2	N/A	KIT, Overhaul Gasket (C18)
3	CAT1248898	KIT, Central Lower Gasket (3406E)
4	N/A	KIT, Head Gasket (C15) (JRE)
5	N/A	KIT, In-Frame Gasket (C15) (SDP)

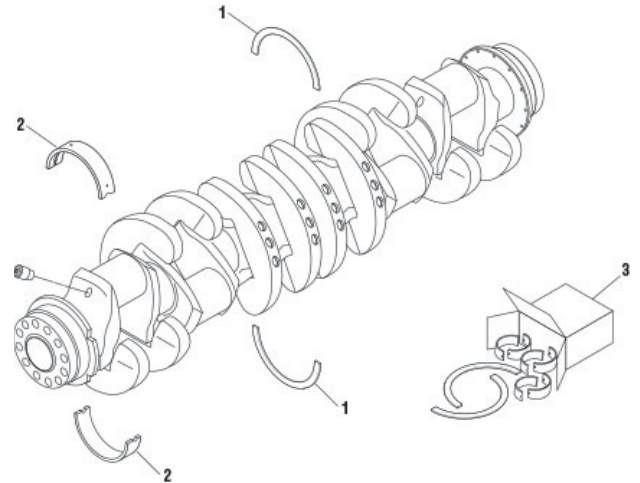
3406 E, C15, C16, C18 SERIES SECTION – MISCELLANEOUS COMPONENTS

KEY	OEM REF	DESCRIPTION
1	CAT1006178	GASKET, Compressor Mounting
1	CAT6V0128	GASKET, Electrical Connector
1	CAT2381329	GASKET, Exhaust
2	CAT6V5100	O-RING, Breather
2	CAT618639	O-RING, Rocker Arm
3	CAT2A3398	SEAL, Drain Plug
4	CAT2235665	COUPLING, Exhaust
4	CAT2338005	COUPLING, Exhaust
5	CAT6V0852	CAP, Protective (C15)
6	CAT6L2609	PLUG, Replacement (C15)
7	CAT1B8705	KEY
8	CAT3798578	SHIELD, Exhaust
9	CAT3805855	ASSEMBLY, Exhaust Seal
10	CAT2470266	HOSE, Coolant (C15 ACERT)



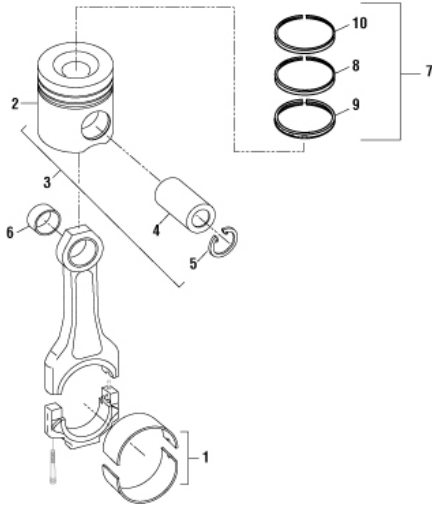
3500 SERIES SECTION – CYLINDER BLOCK

KEY	OEM REF	DESCRIPTION
1	CAT7N2048	BEARING, Cam (STD)
1	CAT1011198	BEARING, Cam (STD) (3500B)
1	CAT1161359	BEARING, Cam (thickwall)
2	CAT1238206	LINER, Cylinder (8.150in diameter flange)
2	CAT2117826	LINER, Cylinder
3	CAT8N4707	SEAL, Liner
3	CAT3526061	SEAL, Liner (after 12/2009)
4	CAT7N2046	O-RING, Liner
5	CAT3535995	KIT, Liner Seal Includes O-Rings (3)321436 Seals (1)321355 (1)321356



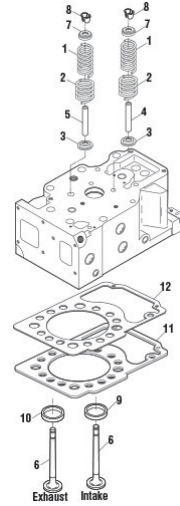
3500 SERIES SECTION – CRANKSHAFT AND BEARINGS

KEY	OEM REF	DESCRIPTION
1	CAT7C6209	BEARING, Thrust Washer
2	CAT1496031	BEARING, Main (STD)
2	CAT1496032	BEARING, Main (.025)
2	CAT1496033	BEARING, Main (.050)
3	CAT1969527	SET, Main Bearing (STD) (3508) Includes Main Bearings (5)370240 Thrust Bearings (2)370227
3	CAT1969530	SET, Main Bearing (STD) Includes Main Bearings (7)370240 Thrust Bearings (2)370227



3500 SERIES SECTION – PISTONS, ROD BEARINGS AND RING SETS

KEY	OEM REF	DESCRIPTION
1	CAT1077330	BEARING, Rod (STD)
1	CAT1077331	BEARING, Rod (.025)
1	CAT1077332	BEARING, Rod (.050)
2	CAT1973765	PISTON, Gas (11:1)
2	CAT1014140	PISTON, Gas
3	N/A	KIT, Piston Includes Piston (1)311290 Pin (1)311041 Retainers (2)311048
3	N/A	KIT, Piston (8.0CR) Includes Piston (1)311292 Pin (1)311041 Retainers (2)311048
4	CAT1388506	PIN, Piston
5	CAT8N7296	RETAINER, Pin
6	CAT1181655	BUSHING, Rod Pin
7	CAT1181655	SET, Ring Includes Rings (1)305082 (1)305083 (1)305084
8	CAT8N1234	RING, Intermediate
9	CAT7W2221	RING, Oil Control
10	CAT7E7581	RING, Compression



**3500 SERIES – CYLINDER HEAD COMPONENTS
CYLINDER HEAD**

KEY	OEM REF	DESCRIPTION
1	CAT7N1903	SPRING, Inner Valve
2	CAT7N1904	SPRING, Outer Valve
3	CAT2W2662	SEAT, Valve Spring
4	CAT9Y1847	GUIDE, Intake Valve (Finished)
5	CAT9Y1846	GUIDE, Exhaust Valve (Finished)
6	CAT3074641	VALVE, Intake / Exhaust
7	CAT1976999	ROTATOR, Valve
8	CAT2A4429	COLLET, Lock
9	CAT1225963	INSERT, Intake (STD)
9	CAT1588036	INSERT, Intake (.127in)
9	CAT1588037	INSERT, Intake (.254in)
10	CAT6I1713	INSERT, Exhaust (STD)
11	CAT2603904	PLATE, Spacer
12	CAT110-6991	GASKET, Head



**MISCELLANEOUS COMPONENTS SECTION –
ENGINE O-RING KITS**

KEY	OEM REF	DESCRIPTION
	CAT2701528	KIT, Engine O-Ring All O-Rings are produced from Buna N material with a 90 durometer hardness
	N/A	KIT, Engine O-Ring All O-Rings are produced from Buna N material with a 75 durometer hardness



**MISCELLANEOUS COMPONENTS SECTION – SENSORS –
SENSOR CONNECTORS**

KEY	OEM REF	DESCRIPTION
1	CUM3104345	HARNESS, Sensor
2	N/A	HARNESS, Sensor
3	CAT2495294	HARNESS, Wire
4	DDC23513558	HARNESS, Engine Wiring
5	MAK41MR4401BM	HARNESS, Engine Wiring
6	MAK41M-R3880M15	HARNESS, Engine Wiring
7	MAK20838672	HARNESS, Wiring (2 Pin / 2 Wire)
8	N/A	ASSEMBLY, Connector (2 Pin / 2 Wire)
9	N/A	ASSEMBLY, Connector (3 Pin / 3 Wire)
10	N/A	ASSEMBLY, Connector (2 Pin / 2 Wire)
11	N/A	ASSEMBLY, Connector (3 Pin / 3 Wire)
12	CUM3056356	ASSEMBLY, Connector (3 Pin / 3 Wire)
13	N/A	ASSEMBLY, Connector (3 Pin / 3 Wire)
14	N/A	ASSEMBLY, Connector (2 Pin / 2 Wire)
15	N/A	ASSEMBLY, Connector (3 Pin / 3 Wire)
16	N/A	ASSEMBLY, Connector (2 Pin / 2 Wire)
17	DDCA0001500320	ASSEMBLY, Connector

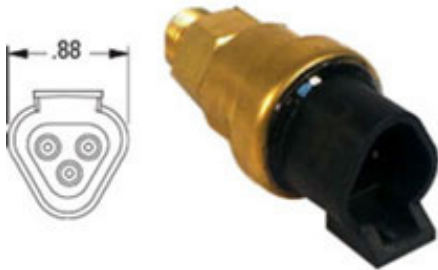
MISCELLANEOUS COMPONENTS SECTION –
PRESSURE SENSORS



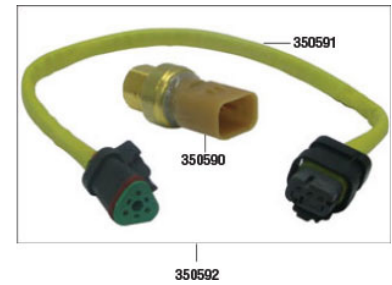
KEY **OEM REF** **DESCRIPTION**
CAT3801882 **SENSOR, Pressure**
 THREAD SIZE: 1/2-20



KEY **OEM REF** **DESCRIPTION**
CAT2380118 **SENSOR, Pressure**
 THREAD SIZE: M12 x 1.5



KEY **OEM REF** **DESCRIPTION**
CAT1611703 **SENSOR, Air Ambient Pressure**
 THREAD SIZE: N/A



KEY **OEM REF** **DESCRIPTION**
N/A **KIT, Oil Pressure Sensor**
 Includes Sensor (1)350590
 Harness (1)350591
CAT2746719 **SENSOR, Oil Pressure**
 THREAD SIZE: 7/16-20
CAT2495294 **HARNES, Sensor**



KEY **OEM REF** **DESCRIPTION**
CAT2244536 **SENSOR, Injector Pressure**
 THREAD SIZE: 1/2in-20



KEY **OEM REF** **DESCRIPTION**
CAT1946724 **SENSOR, Oil Pressure**
 THREAD SIZE: 7/16in-20



KEY **OEM REF** **DESCRIPTION**
CAT2482169 **SENSOR, Pressure**
 THREAD SIZE: 1/2-20
CAT2495294 **HARNES, Wire**



KEY **OEM REF** **DESCRIPTION**
CAT1946725 **SENSOR, Oil Pressure**
 THREAD SIZE: 7/16in-20

**MISCELLANEOUS COMPONENTS SECTION –
PRESSURE SENSORS**



KEY	OEM REF	DESCRIPTION
	CAT2842728	SENSOR, Oil Pressure THREAD SIZE: 7/16in-20
	CUM3056356	ASSEMBLY, Connector (3 Pin/3 Wire)



KEY	OEM REF	DESCRIPTION
	CAT1611705	SENSOR, Oil Pressure THREAD SIZE: 7/16in-20



KEY	OEM REF	DESCRIPTION
	CAT1619930	SENSOR, Oil Pressure THREAD SIZE: 3406E, C10, C12

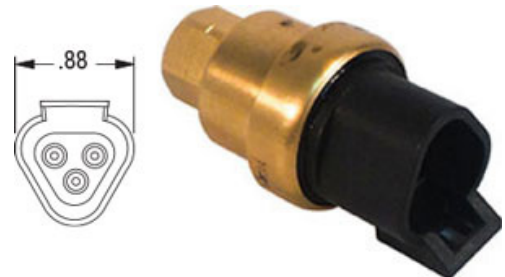


KEY	OEM REF	DESCRIPTION
	CAT2482162	SENSOR, Boost Pressure THREAD SIZE: 9/16-18

**MISCELLANEOUS COMPONENTS SECTION –
BOOST PRESSURE**



KEY	OEM REF	DESCRIPTION
	CAT2490096	KIT, Boost Pressure Sensor Includes Sensor (1)350580 O-Ring (1)321270 THREAD SIZE: 7/16in-20
	CAT2746718	SENSOR, Boost Pressure THREAD SIZE: 7/16in-20



KEY	OEM REF	DESCRIPTION
	CAT1611704	SENSOR, Turbo Pressure Boost THREAD SIZE: 1/4in NPT



KEY	OEM REF	DESCRIPTION
	CAT1946723	SENSOR, Boost Pressure THREAD SIZE: 7/16in-20



**MISCELLANEOUS COMPONENTS SECTION –
 POSITION SENSORS**

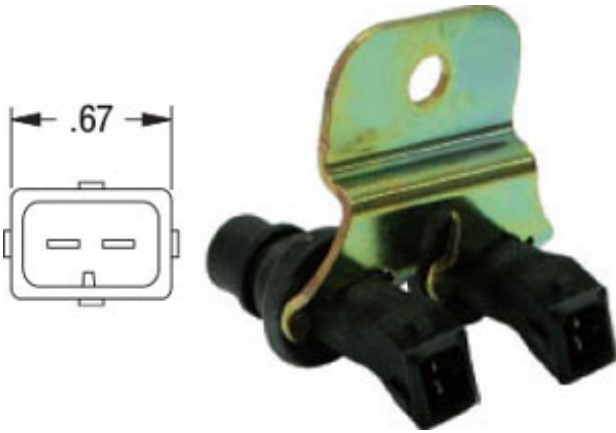
KEY	OEM REF	DESCRIPTION
	CAT1918303	SENSOR, Crankshat Position THREAD SIZE: N/A
	CAT1918304	SENSOR, Camshaft Position (O-Ring (1)321222 included) THREAD SIZE: N/A
	CAT2016617	SENSOR, Camshaft Position (O-Ring (1)321222 included) THREAD SIZE: N/A



**MISCELLANEOUS COMPONENTS SECTION –
 AMBIENT PRESSURE SENSORS**

KEY	OEM REF	DESCRIPTION
	CAT1946722	SENSOR, Air Ambient Pressure THREAD SIZE: 9/16in-18

**MISCELLANEOUS COMPONENTS SECTION –
SPEED SENSORS**



KEY	OEM REF	DESCRIPTION
	CAT2454630	SENSOR, Dual Speed THREAD SIZE: 3/4in-16



KEY	OEM REF	DESCRIPTION
	CAT2659033	SENSOR, Speed THREAD SIZE: 3/4in-16

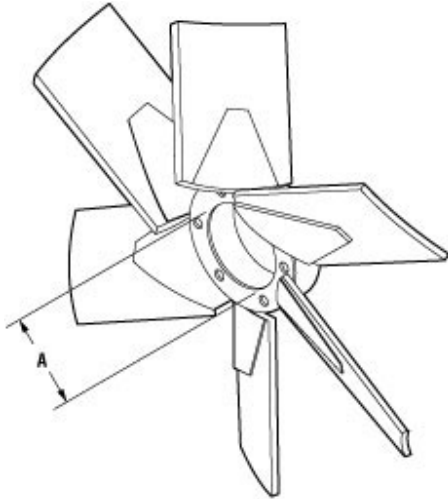


KEY	OEM REF	DESCRIPTION
	CAT2016616	SENSOR, Transmission Speed THREAD SIZE: N/A



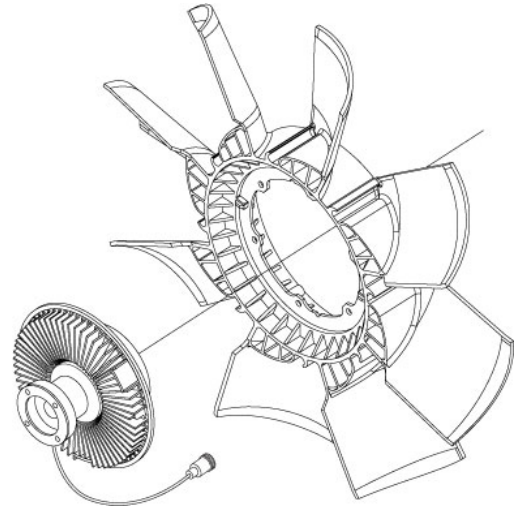
**MISCELLANEOUS SECTION – COOLING SYSTEM
COMPONENTS – FAN CLUTCH**

KEY	OEM REF	DESCRIPTION
1	MAK38MH322M2	
1	NAV2601973C1	
1	NAV2602193C1	
1	MAK38MH423AM	
1	NAV2001023C1	
1	MAK7536-167118	
1	MAK7536-197879	
1	MAK7536-187242	
1	MAK38MH416	
1	SCH183125	
1	MAK1MH29305P2	
1	HTN9902002	
1	MAK38MH416P2	
1	MAK38MH414M	
1	MAK38MH414M	
1	MAK38MH315A	
1	NAV3522786C4	
1	NAV3540116C4	
1	NAV3584438C3	
2	MAK40MH441M	FAN, Clutch (Reman)
2	MAK40MH441M	FAN, Clutch (Reman)
2	HTN999357	
3	HTN991451	
4	MAK40MH52	FAN, Clutch (Reman)
4	MAK40MH51	
5	MAK38MH425AM	
5	MAK38MH428M	
5	MAK85115602	
5	MAK85115603	
5	MAK85115604	
5	MAK85111561	
5	MAK85111563	
6	MAK4769-10900950001	FAN, Clutch (Reman)
6	NAV2602141C91	



**MISCELLANEOUS SECTION – COOLING SYSTEM
COMPONENTS – FAN BLADES**

KEY	OEM REF	DESCRIPTION
	MAK2MH414P23	FAN
	MAK2MH414P56	FAN
	MAK2MH414P70	FAN
	MAK2MH48P41	FAN
	CUM3911320	FAN
	MAK2MH414P64	FAN
	MAK2MH48P40	FAN
	MAK2MH460	FAN
	MAK2MH443	FAN
	MAK2MH360M	FAN
	MAK2MH429	FAN
	MAK2MH453	FAN
	MAK2MH365	FAN
	MAK2MH368	FAN
	MAK2MH444	FAN
	NAV1647411C3	FAN
	MAK2MH446	FAN
	MAK2MH445	FAN
	MAK2MH367M	FAN
	MAK85111560	FAN
	NAV1610891C2	FAN
	MAK2MH517M	FAN
	MAK85111558	FAN
	VOL20477428	FAN
	NAV2010884C1	FAN
	VOL3973733	FAN
	NAV2005452C1	FAN
	NAV2022048C1	FAN
	NAV2000729C2	FAN
	NAV3507486C1	FAN
	NAV3507485C1	FAN
	NAV3625639C1	FAN
	MAK2MH29304	FAN
	MAK85111556	FAN



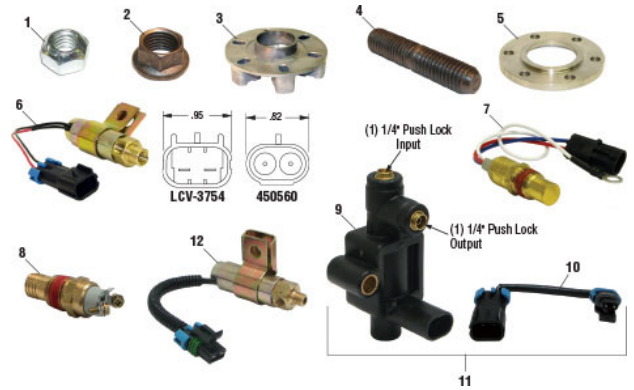
**MISCELLANEOUS SECTION – COOLING SYSTEM
COMPONENTS – FAN/CLUTCH ASSEMBLY**

KEY	OEM REF	DESCRIPTION
1	MAK43MH59M	ASSEMBLY, Fan/Clutch Includes Fan (1)801124 Fan Clutch (1)801095



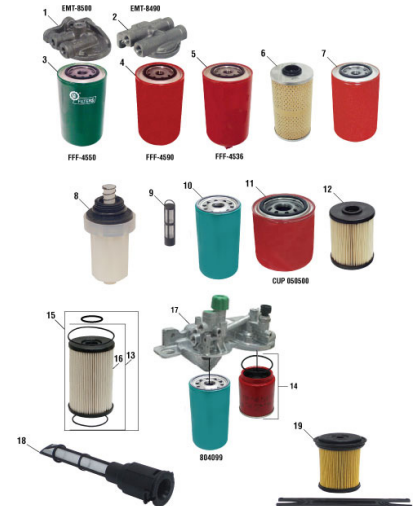
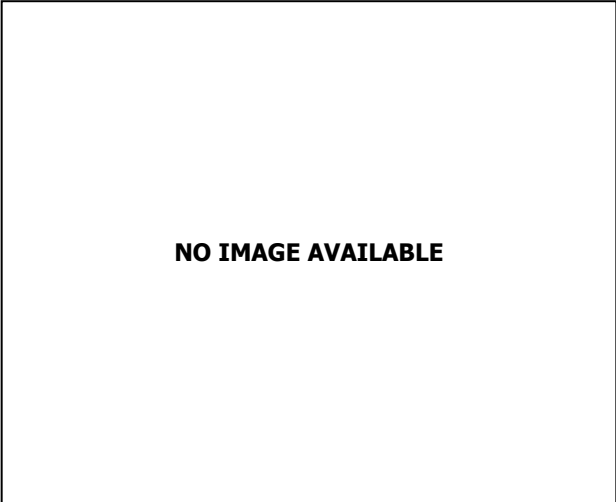
MISCELLANEOUS SECTION – COOLING SYSTEM COMPONENTS – FAN HUB ASSEMBLY

KEY	OEM REF	DESCRIPTION
1	MAK134GB385M	ASSEMBLY, Fan Hub



MISCELLANEOUS SECTION – COOLING SYSTEM COMPONENTS – FAN CLUTCH COMPONENTS

KEY	OEM REF	DESCRIPTION
1	CUM142176	NUT, Locking (1-1/8in-12)
1	MAK8235-NL251	NUT, Locking (5/16in-18)
2	MAK21AX856	NUT (3/8in x 24)(E6)
2	MAK191AM2	NUT (M8-1.25)(E7)
3	N/A	ADAPTER (for use w/ Fiberglass Fan)
4	MAK16AX824	STUD, Fan Clutch Mounting (E6) (3/8in-24NF x 1-7/16in)
4	MAK107AM5019	STUD, Fan Clutch Mounting (E7) (M8 x 1.25 x 40)
5	MAK24MH163	SPACER (5/16in thk) (Used w/Fan EFN-8638 to replace Fan EFN-1650)
6	NAV1689785C91	VALVE, Air Solenoid
6	MAK20QE3373	VALVE, Complete Air Solenoid (for Horton) (12V)
7	NAV1684560C92	SWITCH, Fan
8	NAV1685132C92	SWITCH, Fan (1/2in Thread) (N/C 195 deg)
8	MAK3912-993603	SWITCH, Fan (1/2in thread) (N/C 190 deg)
8	MAK3912-993606	SWITCH, Fan (1/2in thread) (N/C 200 deg)
8	MAK3912-993607	SWITCH, Fan (1/2in thread) (N/C 205 deg)
8	MAK3912-993610	SWITCH, Fan (3/8in thread) (N/O 195 deg)
8	MAK3912-993615	SWITCH, Fan (1/2in thread) (N/O 180 deg)
8	MAK3912-993616	SWITCH, Fan (1/2in thread) (N/O 185 deg)
8	MAK3912-993617	SWITCH, Fan (1/2in thread) (N/O 190 deg)
8	MAK3912-993619	SWITCH, Fan (1/2in thread) (N/C 185 deg)
8	MAK3912-993653	SWITCH, Fan (1/2in thread) (N/O 195 deg)
8	MAK3912-993654	SWITCH, Fan (1/2in thread) (N/O 200 deg)
8	MAK3912-993655	SWITCH, Fan (1/2in thread) (N/O 205 deg)
9	MAK9538-5030111	VALVE, Air Solenoid (12 VDC) (2 Pin) (N/C Input)
10	MAK20856026	HARNESS, Solenoid (2 Pin)
11	N/A	KIT, Air Solenoid Includes Valves (1)845050 Harness (1)845051
12	FTLA06-26631-000	VALVE, Air Solenoid (12 VDC) (N/O) (2)1/8in NPTF Female (1)1/8in NPTF Male



MISCELLANEOUS SECTION – COOLING SYSTEM COMPONENTS – FAN CLUTCH REPAIR KITS

MISCELLANEOUS SECTION – FILTERS – FUEL FILTERS AND BRACKETS

KEY	OEM REF	DESCRIPTION
1	HTN995033	KIT, Fan Clutch Repair
2	HTN994307	KIT, Fan Clutch Repair (Fits 7.5in S Series)
3	HTN994206	KIT, Fan Clutch Repair
4	HTN994305	KIT, Fan Clutch Repair (Fits 9.5in Fan Clutch)
5	HTN994205	KIT, Fan Clutch Repair (Fits any S & ST Series)
6	HTN994900	KIT, Fan Clutch Repair (Gold Top Post)
7	HTN9908400	KIT, Fan Clutch Repair
7	NAV1681030C91	KIT, Fan Clutch Repair (For 1593 Fan Clutch)
8	HTN9908300	KIT, Fan Clutch
9	HTN994902	KIT, Fan Clutch
10	HTN994346	KIT, Fan Clutch
11	HTN994317	KIT, Fan Clutch Minor Repair (For HT650 Fan Clutch)
12	HTN9908402	KIT, Rear Air Seal
13	HTN995568	KIT, Super Conversion Repair Photo not available at this time.
14	HTN995575	KIT, Super Conversion Repair Photo not available at this time.

KEY	OEM REF	DESCRIPTION
1	MAK32GB160P2	BRACKET, Secondary Fuel Filter
1	MAK32GB258P2	BRACKET, Secondary Fuel Filter
2	MAK32GB39P2	BRACKET, Primary Fuel Filter (Used w/ FFF-5531 Filter)
2	MAK32GB163	BRACKET, Primary Fuel Filter
3	CUM3903640	FILTER, Secondary Fuel
3	NAV672603C3	FILTER, Secondary Fuel (Red)
3	MAK483GB218B	FILTER, Secondary Fuel (Green)
3	MAK483GB431	FILTER, Secondary Fuel (Green)
3	MAK483GB476M	FILTER, Secondary Fuel (Green)
3	MAK483GB471M	FILTER, Secondary Fuel (Green)
4	NAV625627C1	FILTER, Primary Fuel (Red)
4	MAK483GB219A	FILTER, Primary Fuel (Red)
5	CUM3331096	FILTER, Fuel/Water Separator
4	MAK483GB470AM	FILTER, Primary Fuel (Red)
5	CUM3903410	FILTER, Fuel/Water Separator
5	CUM3329289	FILTER, Fuel/Water Separator
5	CUM3308638	FILTER, Fuel/Water Separator
5	MAK483GB465	FILTER, Primary Fuel (w/ Water Separator Drain)
6	MAK301SD19B	FILTER, Fuel
7	NAV1822588C1	FILTER, Final Fuel
8	MAK483GB372M	FILTER, Fuel
9	NAV1825181C91	FILTER, Prescreen Fuel
10	CUM4920586	FILTER, Fuel (Spin-on)
10	CAT1R0750	FILTER, Fuel (Spin-on)
10	DDC23518481	FILTER, Fuel, Primary
10	DDC23518482	FILTER, Fuel, Secondary
10	MAK483GB477M	FILTER, Secondary Fuel
10	MAK20972295	FILTER, Secondary Fuel
11	CUM3315844	FILTER, Fuel
11	CUM3315847	FILTER, Fuel
12	CUM3945213	FILTER, Fuel (ISB)
13	NAV1842638C92	FILTER, Fuel
13	NAV1873917C91	FILTER, Fuel Includes Filter (1)450519 O-Rings (1)421236 (1)421235
14	MAK21380521	FILTER, Primary Fuel
15	NAV1878042C92	KIT, Fuel Filter Includes Filter Kit (1)450527 O-Ring (1)421235
16	NAV1874438C1	FILTER, Fuel (used in 450527)
17	MAK21023285	HOUSING, Fuel Filter (MP 7, MP 8)
18	MAK82269261	FILTER, DEF Filter
19	MAK21516231	FILTER, DEF Filter



MISCELLANEOUS COMPONENTS SECTION – OIL FILTERS

KEY	OEM REF	DESCRIPTION
1	CUM3401544	FILTER, Oil
1	CUM4367100	FILTER, Oil
1	NAV1811953C1	FILTER, Oil
1	NAV1833121C1	FILTER, Oil
1	MAK485GB3191C	FILTER, Oil (Spin-On)
2	MAK57GC2134	FILTER, Oil (Centrifugal Type)
2	MAK57GC2187	FILTER, Oil (Centrifugal Type)
3	MAK485GB3236	FILTER (Spin-On)
3	MAK20843764	FILTER, Oil (Bypass)
4	MAK57GC2231	FILTER, Oil (.492in ID Bushing) (Used in EMT-8528)
4	MAK57GC2206	FILTER, Oil Kit (.631in ID Bushing)
5	NAV1842639C92	FILTER, Oil
6	CUM3889310	FILTER, Oil
6	CUM3318853	FILTER, Oil
6	CUM3304232	FILTER, Oil
6	CUM256838	FILTER, Oil
6	CAT1R0716	FILTER, Oil
6	CAT1R0739	FILTER, Oil
6	DDC23527033	FILTER, Oil
6	DDC23518671	FILTER, Oil
7	CUM3932217	FILTER, Oil (ISB)
8	MAK485GB4365M	ASSEMBLY, Oil Filter (ASET)
9	MAK485GB3219D	KIT, Filter (E6/E7) Includes Filter (1)FOF-4571 Canister & Gasket



MISCELLANEOUS COMPONENTS SECTION – OIL FILTER ELEMENT

KEY	OEM REF	DESCRIPTION
1	MAK236GB311A	FILTER, Oil Element
2	MAK343SB87	O-RING, Oil Filter
3	MAK5081-3654	O-RING, Oil



MISCELLANEOUS COMPONENTS SECTION – AIR FILTERS

KEY	OEM REF	DESCRIPTION
1	MAK57MD31A	FILTER, Air (Engine)
1	MAK57MD21A	FILTER, Air (Engine)
1	MAK57MD26	FILTER, Air (Engine)
1	MAK57MD33	FILTER, Air (Engine)
1	MAK57MD29301	FILTER, Air (Engine)
1	MAK57MD29305	FILTER, Air (Engine)
1	MAK57MD32	FILTER, Air (Engine)
1	MAK57MD25P2	FILTER, Air (Engine)
2	MAK57MD27	FILTER, Air (Engine)
3	MAK57MD42M	FILTER, Air (Engine) (CH)
4	MAK57MD320M	FILTER, Air (Engine)
5	MAK57MD318	FILTER, Air (Engine)
5	MAK57MD46M	FILTER, Air (Engine)
6	MAK279GB43M	FILTER, Air (Engine) (ASET)
7	MAK57MD24	FILTER, Air (Engine)

MISCELLANEOUS COMPONENTS SECTION – WATER FILTERS AND BRACKET

KEY	OEM REF	DESCRIPTION
1	CUM3318201	FILTER, Water/Conditioner (Spin-on)
1	CUM3315115	FILTER, Water/Conditioner (Spin-On)
1	CUM3316053	FILTER, Water/Conditioner (Spin-On)
1	CUM3318318	FILTER, Water/Conditioner (Spin-On)
1	MAK25MF435A	FILTER, Water (Spin-On)
2	CUM3315116	FILTER, Water (Spin-On)
2	DDC23516489	FILTER, Water (Spin-On)
2	MAK25MF436	FILTER, Water (Spin-On)
3	MAK32GB354P2	BRACKET, Coolant
4	MAK32GB415	BRACKET, Coolant (Use w/ FWF-4521 Filter)
5	MAK387GC32	SCREEN, Coolant

MISCELLANEOUS COMPONENTS SECTION –
BELT TENSIONERS



KEY	OEM REF	DESCRIPTION
1	CUM4987964	TENSIONER, Belt
1	CUM3947574	TENSIONER, Belt
1	CUM3682946	TENSIONER, Belt
1	CUM3400885	TENSIONER, Belt
1	CUM4920105	TENSIONER, Belt
1	CUM4937433	TENSIONER, Belt
1	MAK21422765	TENSIONER, Belt



KEY	OEM REF	DESCRIPTION
2	CUM3935819	TENSIONER, Belt
2	CUM3973822	TENSIONER, Belt
2	CUM4059202	TENSIONER, Belt
2	CUM3936197	TENSIONER, Belt
2	CUM3936201	TENSIONER, Belt
2	CUM3937556	TENSIONER, Belt
2	CUM2891940	TENSIONER, Belt
2	CUM4059203	TENSIONER, Belt
2	CAT1900649	TENSIONER, Belt
2	CAT1352151	TENSIONER, Belt
2	NAV1830033C1	TENSIONER, Belt
2	NAV1687801C91	TENSIONER, Belt
2	NAV1873217C2	TENSIONER, Belt
2	DDC23527565	TENSIONER, Belt
2	FTL01-27846-000	TENSIONER, Belt
2	MAK87GB41A	TENSIONER, Belt



KEY	OEM REF	DESCRIPTION
3	CUM5333480	TENSIONER, Belt (Serpentine Belt)
3	CUM3937555	TENSIONER, Belt
3	CUM3936213	TENSIONER, Belt
3	MAK87GB46A	TENSIONER, Belt



KEY	OEM REF	DESCRIPTION
4	CUM4059201	TENSIONER, Belt



KEY	OEM REF	DESCRIPTION
5	MAK21454379	TENSIONER, Belt



KEY	OEM REF	DESCRIPTION
6	MAK20935523	TENSIONER, Belt



KEY	OEM REF	DESCRIPTION
7	VOL21479276	TENSIONER, Belt
7	MAK20860873	TENSIONER, Belt



**MISCELLANEOUS COMPONENTS SECTION –
BELT TENSIONER KITS**

KEY	OEM REF	DESCRIPTION
1	MAK21568411	KIT, Belt Tensioner (MP 7)(w/ A/C) Includes Tensioner (1)880878 Belt (1)880866 Screws (2)840001
1	MAK21568412	KIT, Belt Tensioner (MP 7) (w/o A/C) Includes Tensioner (1)880878 Belt (1)880867 Screws (2)840001
1	MAK21568414	KIT, Belt Tensioner (MP 8) Includes Tensioner (1)880878 Belt (1)880868 Screws (2)840001

**MISCELLANEOUS COMPONENTS SECTION –
IDLER PULLEY**



KEY	OEM REF	DESCRIPTION
	MAK20582558	PULLEY, Idler (Serpentine Belt)



KEY	OEM REF	DESCRIPTION
	CAT1979642	PULLEY, Idler
	CUM4026886	PULLEY, Idler
	MAK786GB41BM	PULLEY, Idler



KEY	OEM REF	DESCRIPTION
	MAK21561640	PULLEY, Idler



KEY	OEM REF	DESCRIPTION
	MAK21551903	ROLLER, Idler



MISCELLANEOUS COMPONENTS SECTION –
BELTS

KEY	OEM REF	DESCRIPTION	KEY	OEM REF	DESCRIPTION
1	MAK2428-425761	BELT, V Notched (1 Piece)	1	MAK88GB439P662	BELT, V Notched (1 Piece)
1	MAK88GB439P376	BELT, V Notched (1 Piece)	1	CAT9L6647	BELT, V Notched (1 Piece)
1	MAK88GB439P391	BELT, V Notched (1 Piece)	1	MAK88GB439P672	BELT, V Notched (1 Piece)
1	CUM178657	BELT, V Notched (1 Piece)	1	MAK88GB196	BELT, V Notched (1 Piece)
1	MAK88GB439P411	BELT, V Notched (1 Piece)	1	CAT9L6649	BELT, V Notched (1 Piece)
1	MAK88GB439P421	BELT, V Notched (1 Piece)	1	CAT6N6654	BELT, V Notched (1 Piece)
1	MAK88GB439P431	BELT, V Notched (1 Piece)	1	MAK88GB439P722	BELT, V Notched (1 Piece)
1	MAK88GB439P436	BELT, V Air Conditioner (1 Piece)	1	CAT4N8277	BELT, V Notched (1 Piece)
1	CUM3058383	BELT, V Notched (1 Piece)	1	MAK88GB439P732	BELT, V Notched (1 Piece)
1	MAK88GB439P457	BELT, V Notched (1 Piece)	1	CAT6N6650	BELT, V Notched (1 Piece)
1	MAK88GB439P462	BELT, V Notched (1 Piece)	2	CAT9L6654	SET, V-BELT (2 Piece)
1	CAT9L6653	BELT, V Notched (1 Piece)	2	CAT4N8217	SET, V-BELT (2 Piece)
1	MAK2428-425762	BELT, V Notched (1 Piece)	2	CAT9L6640	SET, V-BELT (2 Piece)
1	CUM178679	BELT, V Notched (1 Piece)	2	CAT9L6642	SET, V-BELT (2 Piece)
1	MAK88GB439P491	BELT, V Notched (1 Piece)	2	CAT9L6644	SET, V-BELT (2 Piece)
1	CUM134809	BELT, V Notched (1 Piece)	2	CAT4N2532	SET, V-BELT (2 Piece)
1	MAK88GB439P506	BELT, V Notched (1 Piece)	2	CAT9L6646	SET, V-BELT (2 Piece)
1	MAK88GB439P516	BELT, V Notched (1 Piece)	2	CAT9L6724	SET, V-BELT (2 Piece)
1	MAK88GB439P532	BELT, V Notched (1 Piece)	2	CAT7S9860	SET, V-BELT (2 Piece)
1	MAK88GB439P552	BELT, V Notched (1 Piece)	2	CAT9L6648	SET, V-BELT (2 Piece)
1	CAT4N8216	BELT, V Notched (1 Piece)	2	MAK88GB437P2	SET, V-BELT (2 Piece)
1	CAT9L6639	BELT, V Notched (1 Piece)	2	MAK88GB437	SET, V-BELT (2 Piece)
1	CAT9L6641	BELT, V Notched (1 Piece)	2	MAK88GB354P12	SET, V-BELT (2 Piece)
1	MAK88GB439P602	BELT, V Notched (1 Piece)	2	CAT9L6650	SET, V-BELT (2 Piece)
1	CAT9L6643	BELT, V Notched (1 Piece)	2	CAT9L6725	SET, V-BELT (2 Piece)
1	CAT4N2531	BELT, V Notched (1 Piece)	3	CAT6N6798	SET, V-BELT (3 Piece)
1	MAK88GB439P622	BELT, V Notched (1 Piece)	3	CAT6N6656	SET, V-BELT (3 Piece)
1	CAT9L6645	BELT, V Notched (1 Piece)	3	CAT6N6652	SET, V-BELT (3 Piece)
1	CAT6N6657	BELT, V Notched (1 Piece)	3	MAK88GB354P52	SET, V-BELT (3 Piece)
1	MAK88GB439P642	BELT, V Notched (1 Piece)	3	MAK88GB354P50	SET, V-BELT (3 Piece)
1	CAT4N8218	BELT, V Notched (1 Piece)	3	CAT6N6655	SET, V-BELT (3 Piece)
1	MAK88GB439P652	BELT, V Notched (1 Piece)	3	CAT4N8278	SET, V-BELT (3 Piece)
1	MAK88GB354P30	BELT, V Power Steering (1 Piece)	3	CAT6N6651	SET, V-BELT (3 Piece)
1	CAT7S9859	BELT, V Notched (1 Piece)			

Continued



MISCELLANEOUS COMPONENTS SECTION –
 BELTS

Continued

KEY	OEM REF	DESCRIPTION	KEY	OEM REF	DESCRIPTION
4	CAT6N6653	SET, V-Belt (4 Piece)	6	MAK88GB459P670	BELT, Serpentine (1 Piece)
5	MAK88GB445P720	BELT, Double V (1 Piece)	6	CUM3911567	BELT, Serpentine (1 Piece)
5	MAK88GB445P730	BELT, Double V (1 Piece)	6	MAK88GB458P678	BELT, Serpentine (1 Piece)
6	CUM3037425	BELT, Serpentine (1 Piece)	6	MAK88GB458P687	BELT, Serpentine (1 Piece)
6	CUM206996	BELT, Serpentine (1 Piece)	6	CUM3911582	BELT, Serpentine (1 Piece)
6	CUM3095880	BELT, Serpentine (1 Piece)	6	CUM3911583	BELT, Serpentine (1 Piece)
6	CUM3076492	BELT, Serpentine (1 Piece)	6	NAV1841559C1	BELT, Serpentine (1 Piece)
6	CUM3063817	BELT, Serpentine (1 Piece)	6	MAK88GB447P728	BELT, Serpentine (1 Piece)
6	CUM217638	BELT, Serpentine (1 Piece)	6	NAV1819391C1	BELT, Serpentine (1 Piece)
6	CUM3034348	BELT, Serpentine (1 Piece)	6	MAK88GB447P732	BELT, Serpentine (1 Piece)
6	FTL01-24894-004	BELT, Serpentine (1 Piece)	6	CUM3002203	BELT, Serpentine (1 Piece)
6	CUM3911587	BELT, Serpentine (1 Piece)	6	MAK88GB459P735	BELT, Serpentine (1 Piece)
6	MAK88GB458P555	BELT, Serpentine (1 Piece)	6	MAK88GB459P738	BELT, Serpentine (1 Piece)
6	CUM3911560	BELT, Serpentine (1 Piece)	6	MAK88GB459P746	BELT, Serpentine (1 Piece)
6	MAK88GB458P565	BELT, Serpentine (1 Piece)	6	CUM3289659	BELT, Serpentine (1 Piece)
6	CUM3911557	BELT, Serpentine (1 Piece)	6	MAK88GB472P787	BELT, Serpentine (1 Piece)
6	CUM3911568	BELT, Serpentine (1 Piece)	6	MAK88GB459P795	BELT, Serpentine (1 Piece)
6	MAK88GB458P579	BELT, Serpentine (1 Piece)	6	FTL01-29866-094	BELT, Serpentine (1 Piece)
6	MAK88GB459P585	BELT, Serpentine (1 Piece)	6	MAK88GB459P831	BELT, Serpentine (1 Piece)
6	MAK21556636	BELT, Serpentine (1 Piece)	6	MAK88GB459P847	BELT, Serpentine (1 Piece)
6	CUM3911558	BELT, Serpentine (1 Piece)	6	CUM3103836	BELT, Serpentine(1 Piece)
6	MAK88GB449P605	BELT, Serpentine (1 Piece)	6	FTL01-23415-053	BELT, Serpentine (1 Piece)
6	CUM3911563	BELT, Serpentine (1 Piece)			
6	CUM3911573	BELT, Serpentine (1 Piece)			
6	MAK88GB447P615	BELT, Serpentine (1 Piece)			
6	CUM3911572	BELT, Serpentine (1 Piece)			
6	MAK21460409	BELT, Serpentine (1 Piece)			
6	MAK88GB457P630	BELT, Serpentine (1 Piece)			
6	MAK21556637	BELT, Serpentine (1 Piece)			
6	CUM3034946	BELT, Serpentine (1 Piece)			
6	CUM3911566	BELT, Serpentine (1 Piece)			
6	MAK20582557	BELT, Serpentine (1 Piece)			
6	MAK88GB449P655	BELT, Serpentine (1 Piece)			
6	MAK88GB447P666	BELT, Serpentine (1 Piece)			