



EARTHQUIP

AFFORDABLE HEAVY EQUIPMENT SOLUTIONS

ALTERNATORS & STARTER MOTORS



NEW REPLACEMENT PARTS FOR HEAVY EQUIPMENT

CATERPILLAR

110-258 24v 175amp		Suits: VOLVO MARINE				
						
Engine:						
Dimensions (mm)						
Adj. Hole Diameter	Pivot Hole Diameter	Adj. to Pivot	Leg/Foot Length	Pulley Diameter	Number of Grooves	
10	13	212	101	n/a	n/a	

110-258
ALT,RPL PRESTOLITE, 24V 175A
Manufacturers: Volvo Penta,
Caterpillar, Cummins,
Leece Neville

110-431 24v 150a		Suits: MARINE (LOADHANDLER)				
						
Engine:						
Dimensions						
Adj. Hole Diameter	Pivot Hole Diameter	Adj. to Pivot	Leg/Foot Length	Pulley Diameter	Number of Grooves	
10	13	212	101	n/a	n/a	



110-431
ALTERNATOR 24V 150A
LOADHANDLER
Manufacturers: Caterpillar,
Cummins

110-555 12v 160A		Suits: LEECE NEVILLE				
						
Engine:		UNIVERSAL				
Dimensions (mm)						Note: -
Adj. Hole Diameter	Pivot Hole Diameter	Adj. to Pivot	Leg/Foot Length	Pulley Diameter	Number of Grooves	
10	13	214	101	56	7	

110-555
ALT LEECE NEVILLE 12V 160A
Manufacturers: Caterpillar,
Cummins, Leece Neville

A1001 12v 120a I/R, E/F 22SI		Suits: CATERPILLAR				
						
Engine:		Various				
Dimensions (mm)						
Adj. Hole Diameter	Pivot Hole Diameter	Adj. to Pivot	Leg/Foot Length	Pulley Diameter	Number of Grooves	
10	10	198	101	89	2-V	

A1001
ALTERNATOR 12V 150A IR/EF
21SI/ 22SI APPS
Manufacturers: Yanmar,
Kenworth, Mack, Caterpillar,
Cummins

A1101 24v 80a		B+ D+ W	Suits: CATERPILLAR			
						
Engine:		Various, Universal H/duty				
Dimensions (mm)						
Adj. Hole Diameter	Pivot Hole Diameter	Adj. to Pivot	Leg/Foot Length	Pulley Diameter	Number of Grooves	
10	13	198	101	n/a	n/a	



A1101
ALTERNATOR 24V 70A REP
DELCO 27SI
Manufacturers: GM,
Kenworth, Mack, Caterpillar,
Cummins

A12001 12v 40a (Self Exciting)		Suits: CATERPILLAR				
						
Engine:		-				
Dimensions (mm)						Note: -
Adj. Hole Diameter	Pivot Hole Diameter	Adj. to Pivot	Leg/Foot Length	Pulley Diameter	Number of Grooves	
8	10	191	71	90	1-V	

A12001
ALT 12V ND 40AMP
CATAPILLAR SELF-EX
Manufacturer: Caterpillar

A12060N 24v 95a I/R		Suits: CATERPILLAR (Genuine Denso H/duty)				
						
Engine:		-				
Dimensions (mm)						
Adj. Hole Diameter	Pivot Hole Diameter	Adj. to Pivot	Leg/Foot Length	Pulley Diameter	Number of Grooves	
10	13	198	101	n/a	n/a	

A12060N
ALT 24V 95A IND,CATA.A/MKT
Manufacturer: Caterpillar

A12192 12v 90a I/R		P I G L D	Suits: CATERPILLAR TRACTOR			
						
Engine:		-				
Dimensions (mm)						
Adj. Hole Diameter	Pivot Hole Diameter	Adj. to Pivot	Leg/Foot Length	Pulley Diameter	Number of Grooves	
6	9.6	165	58	61.5	5	

A12192
ALT 12V 90A ND CATAPILLAR
P-IG-L D/P
Manufacturer: Caterpillar

A12490 12v 160a		B+ D+ W	Suits: USA DIESEL			
						
Engine:		-				
Dimensions (mm)						
Adj. Hole Diameter	Pivot Hole Diameter	Adj. to Pivot	Leg/Foot Length	Pulley Diameter	Number of Grooves	
10	12	198	101	NIL	NIL	

A12490
ALT BOSCH 12V 160AMP,D+,W
Manufacturers: Kenworth, Mack,
Volvo, Caterpillar, Cummins,
International, John Deere, Massey
Ferguson, Volvo Penta, Bosch

CATERPILLAR

A7297
24v 45AMP

Suits: INDUSTRIAL APPS
DELCO 20SI

Engine: -



Dimensions (mm)						Note: -
Adj. Hole Diameter	Pivot Hole Diameter	Adj. to Pivot	Leg/Foot Length	Pulley Diameter	Number of Grooves	
13	13	198	102			

A7297
ALT, S/E, 24V 45A
BRUSHLESS 20SI
Manufacturers: Komatsu,
Delco, Caterpillar, Cummins

A7418
12v 55AMP

Suits: MOTOROLA CATERPILLAR

Engine: -



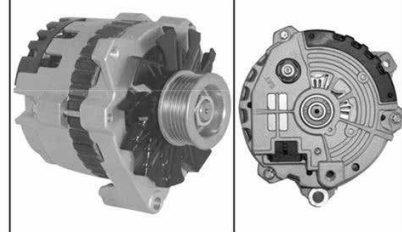
Dimensions (mm)						Note: -
Adj. Hole Diameter	Pivot Hole Diameter	Adj. to Pivot	Leg/Foot Length	Pulley Diameter	Number of Grooves	
M8	13	170	32	67	1-v	

A7418
ALTERNATOR 12V 55A
MOTOROLA /CAT LEG 28MM
Manufacturers: Hyster,
Caterpillar

A7861
12v
85a I/R

Suits: CHEVROLET TRUCK

Engine: -



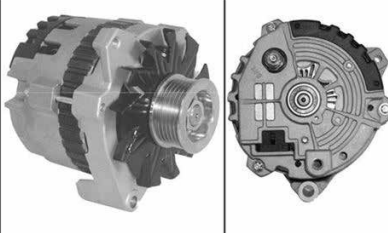
Dimensions (mm)						Note: -
Adj. Hole Diameter	Pivot Hole Diameter	Adj. to Pivot	Leg/Foot Length	Pulley Diameter	Number of Grooves	
6	10	136	50	55	6	

A7861
ALTR 12V 85AMP CHEV TRUCK
SEE A7981
Manufacturers: Caterpillar,
Chevrolet, GM, Delco

A7981-7
12v
100a I/R

Suits: CHEV TRUCK

Engine: -



Dimensions (mm)						Note: -
Adj. Hole Diameter	Pivot Hole Diameter	Adj. to Pivot	Leg/Foot Length	Pulley Diameter	Number of Grooves	
6	10	137	50	55	6	

A7981-7
ALTR DELCO 12V 100AMP
CHEV TRUCK
Manufacturers: Caterpillar,
Chevrolet, GM, Delco

A8050
24v
35a I/R

Suits: MARINE
(MOTOROLA)

Engine: -



Dimensions (mm)						Note: -
Adj. Hole Diameter	Pivot Hole Diameter	Adj. to Pivot	Leg/Foot Length	Pulley Diameter	Number of Grooves	
6	10	136				

A8050
24V 35A MOTOROLA MARINE
ALT, ABOVE GRND
Manufacturer: Caterpillar

A8392
24v 110AMP

Suits: CATERPILLAR

Engine: -



Dimensions (mm)						Note: -
Adj. Hole Diameter	Pivot Hole Diameter	Adj. to Pivot	Leg/Foot Length	Pulley Diameter	Number of Grooves	
10	12	218	102			

A8392
ALT, 24V 110A INS,S/E,HAS
W/L IF REQ
Manufacturer: Caterpillar

AR4020E4
24v
20a I/R

Suits: MITSUBISHI CATERPILLAR

Engine: -



Dimensions (mm)						Note: Sealed Unit
Adj. Hole Diameter	Pivot Hole Diameter	Adj. to Pivot	Leg/Foot Length	Pulley Diameter	Number of Grooves	
12	14	197	102	91	2-V	

AR4020E4
ALT 24V 20A SEALED MIT
CAT,can be S/E
Manufacturers: Caterpillar,
Komatsu

M4T95478 CW
24v 6kw

Suits: CAT LOADERS

Engine: -



Dimensions (mm)					Teeth: 15
Pinion Offset:	Mt. Holes Cnt. to Cnt.	Spigot Diameter	Pinion Diameter	Pinion At Rest	
	127x127x127	92	54		

M4T95478
STARTER MIT G/R JAP CAT or
use S9036
Manufacturer: Caterpillar

S1440M CW
24v 7.5kw
PLGR

Suits: CATERPILLAR
(MITSUBISHI TYPE)

Engine: -



Dimensions (mm)					Teeth: 12
Pinion Offset:	Mt. Holes Cnt. to Cnt.	Spigot Diameter	Pinion Diameter	Pinion At Rest	
no	126 x 3	92	46	47	

S1440M
STR 12TH 24V 7.5KW REP
NIKKO
Manufacturer: Caterpillar

CATERPILLAR

S17392		CW	Suits: DAEWOO	
12v 2.0kw		Engine: 1.3L, 2.0L		
G/R				
				
Dimensions (mm)		Teeth: 10		
Pinion Offset: no	Mt. Holes Cnt. to Cnt.: 127	Spigot Diameter: 89	Pinion Diameter: 40	Pinion At Rest: 18


S17392
STR 12V 10TH CAT & DAEWOO LIFT
Manufacturers: Forklift, Daewoo, Caterpillar

S17615		CW	Suits: CATERPILLAR (WET CLUTCH)	
12v 3.0kw		Engine: 3114, 3116		
OSGR				
				
Dimensions (mm)		Teeth: 10		
Pinion Offset: yes	Mt. Holes Cnt. to Cnt.: 90/90/127	Spigot Diameter: 88	Pinion Diameter: 40	Pinion At Rest: 48

S17615
STARTER 12v DENSO 3KW SUIT CATERPILLAR
Manufacturer: Caterpillar

S17616		CW	Suits: CATERPILLAR (WET CLUTCH)	
24v 5.5kw		Engine: 3114 - 3116		
OSGR				
				
Dimensions (mm)		Teeth: 10		
Pinion Offset: no	Mt. Holes Cnt. to Cnt.: 90/90/127	Spigot Diameter: 89	Pinion Diameter: 40	Pinion At Rest: 46

S17616
STR 24V 5.5 10TH (WET) CAT
Manufacturer: Caterpillar

S17618		CW	Suits: JOHN DEERE 1990-	
12v 4.0kw		Engine: VARIOUS		
G/R				
				
Dimensions (mm)		Teeth: 10		
Pinion Offset: n/a	Mt. Holes Cnt. to Cnt.: 90/90/127	Spigot Diameter: 88	Pinion Diameter: 40	Pinion At Rest: 48

S17618
STR 12V John Deere 12v 4KW D/D
Manufacturers: John Deere, Caterpillar

S17633		CW	Suits: CATERPILLAR	
12v 4.0kw		Engine: 3046, 3204		
D/D				
				
Dimensions (mm)		Teeth: 10		
Pinion Offset: n/a	Mt. Holes Cnt. to Cnt.: 90/90/127	Spigot Diameter: 88	Pinion Diameter: 40	Pinion At Rest: 48

S17633
STR DENSO 12V 10TH D/D SUIT CAT SC \$200
Manufacturer: Caterpillar

S18164P		CW	Suits: CATERPILLAR, KOBELCO 1995-	
24v 5.5kw		Engine: MITSUBISHI		
Planetary				
				
Dimensions (mm)		Teeth: 13		
Pinion Offset: yes	Mt. Holes Cnt. to Cnt.: 104/104/144	Spigot Diameter: 100	Pinion Diameter: 47.5	Pinion At Rest: 23

S18164P
STR 24V MITSU 3 HOLE 5.5 PLANETRY
Manufacturers: Forklift, Kobelco, Mitsubishi, Caterpillar

S18246		CW	Suits: CATERPILLAR	
24v 5kw		Engine: MITSUBISHI S6E, S6S		
PLGR				
				
Dimensions (mm)		Teeth: 10		
Pinion Offset: no	Mt. Holes Cnt. to Cnt.: 115/105/105	Spigot Diameter: 82	Pinion Diameter: 39	Pinion At Rest: 22

S18246
STARTER 24V 10TH CATAPILLAR WET
Manufacturers: Forklift, Mitsubishi, Caterpillar

S19501		CW	Suits: CAT, KENWORTH	
12v 5.0kw		Engine:		
				
Dimensions (mm)		Teeth: 10		
Pinion Offset:	Mt. Holes Cnt. to Cnt.: 126x126x126	Spigot Diameter: 92	Pinion Diameter: 49	Pinion At Rest: 48

S19501
DENSO R TYPE STR - 12V 10TH 5.0KW
Manufacturers: Caterpillar, Kenworth, Nippondenso

S6182		CW	Suits: MITSUBISHI FORKLIFT	
24v 5.0kw		Engine: S6E, 4DQ		
G/R				
				
Dimensions (mm)		Teeth: 10		
Pinion Offset: yes	Mt. Holes Cnt. to Cnt.: 104	Spigot Diameter: 82	Pinion Diameter: 39	Pinion At Rest: 22

S6182
STARTER 24V 5.0KW S6E 4DQ
Manufacturers: Forklift, Mitsubishi, Caterpillar

CATERPILLAR

S6264		CCW	Suits: CATERPILLAR, CUMMINS	
24v 7.8kw G/R		Engine: MARINE		
				
Dimensions (mm)		Teeth: 11		
Pinion Offset:	Mt. Holes Cnt. to Cnt. 126 x 3	Spigot Diameter 92	Pinion Diameter 56	Pinion At Rest 48

S6264
STARTER 42MT 12V. 11TH
56MM CCW
Manufacturers: Caterpillar,
Cummins

S9018		CW	Suits: CATAPILLAR BTD6	
12V 2.5KW		Engine:		
				
Dimensions (mm)		Teeth: 12		
Pinion Offset:	Mt. Holes Cnt. to Cnt. 89x89x125	Spigot Diameter 89	Pinion Diameter 45	Pinion At Rest 44

S9018
STARTER G/R TYPE 12V 12T
46MM SUIT BTD6
Manufacturer: Caterpillar

S9036		CW	Suits: CATERPILLAR (WET CLUTCH)	
24v 4.5kw G/R		Engine: 920, 950		
				
Dimensions (mm)		Teeth: 12		
Pinion Offset:	Mt. Holes Cnt. to Cnt. 126 x 3	Spigot Diameter 92	Pinion Diameter 46	Pinion At Rest 47

S9036
STR 24V G/R SUIT CAT
920.950.D4 WET
Manufacturer: Caterpillar

S9036L		CW	Suits: CATERPILLAR (WET CLUTCH)	
24v 4.5kw G/R		Engine: -		
				
Dimensions (mm)		Teeth: 12		
Pinion Offset:	Mt. Holes Cnt. to Cnt. 126 x 3	Spigot Diameter 92	Pinion Diameter 45	Pinion At Rest 46

S9036L
STR 24V G/R SUIT CAT BAT
LH(WET)
Manufacturer: Caterpillar

S9041		CW	Suits: CATERPILLAR	
12v 2.5kw G/R		Engine: -		
				
Dimensions (mm)		Teeth: 12		
Pinion Offset:	Mt. Holes Cnt. to Cnt. 126 x 3	Spigot Diameter 92	Pinion Diameter 46	Pinion At Rest 58

S9041
STR 12TH 12V G/R REP
DD 10TH
Manufacturer: Caterpillar

S9084		CW	Suits: CATERPILLAR, PERKINS	
12v 2.5kw NDGR		Engine: DIESEL		
				
Dimensions (mm)		Teeth: 10		
Pinion Offset:	Mt. Holes Cnt. to Cnt. 90 x 90 x 127	Spigot Diameter 88.5	Pinion Diameter 40	Pinion At Rest 30

S9084
STR 12V 10TH REP M50/
DELCO/BOSCH
Manufacturers: Caterpillar,
Perkins

CUMMINS

110-258 24v 175amp		Suits: VOLVO MARINE			
					
Engine:					
Dimensions (mm)					
Adj. Hole Diameter	Pivot Hole Diameter	Adj. to Pivot	Leg/Foot Length	Pulley Diameter	Number of Grooves
10	13	212	101	n/a	n/a



110-258
ALT,RPL PRESTOLITE, 24V 175A
Manufacturers: Volvo Penta, Caterpillar, Cummins, Leece Neville

110-431 24v 150a		Suits: MARINE (LOADHANDLER)			
					
Engine:					
Dimensions					
Adj. Hole Diameter	Pivot Hole Diameter	Adj. to Pivot	Leg/Foot Length	Pulley Diameter	Number of Grooves
10	13	212	101	n/a	n/a

110-431
ALTERNATOR 24V 150A
LOADHANDLER
Manufacturers: Caterpillar, Cummins

110-555 12v 160A		Suits: LEECE NEVILLE			
					
Engine: UNIVERSAL					
Dimensions (mm) Note: -					
Adj. Hole Diameter	Pivot Hole Diameter	Adj. to Pivot	Leg/Foot Length	Pulley Diameter	Number of Grooves
10	13	214	101	56	7

110-555
ALT LEECE NEVILLE 12V 160A
Manufacturers: Caterpillar, Cummins, Leece Neville

A1001 12v 120a I/R, E/F 22SI		Suits: CATERPILLAR			
					
Engine: Various					
Dimensions (mm)					
Adj. Hole Diameter	Pivot Hole Diameter	Adj. to Pivot	Leg/Foot Length	Pulley Diameter	Number of Grooves
10	10	198	101	89	2-V

A1001
ALTERNATOR 12V 150A IR/EF 21SI/ 22SI APPS
Manufacturers: Yanmar, Kenworth, Mack, Caterpillar, Cummins

A1101 24v 80a		B+ D+ W	Suits: CATERPILLAR		
					
Engine: Various, Universal H/duty					
Dimensions (mm)					
Adj. Hole Diameter	Pivot Hole Diameter	Adj. to Pivot	Leg/Foot Length	Pulley Diameter	Number of Grooves
10	13	198	101	n/a	n/a

A1101
ALTERNATOR 24V 70A REP DELCO 27SI
Manufacturers: GM, Kenworth, Mack, Caterpillar, Cummins

A12349 12v 130a		Suits:			
					
Engine: Diesel					
Dimensions (mm) Genuine Nippon and Denso					
Adj. Hole Diameter	Pivot Hole Diameter	Adj. to Pivot	Leg/Foot Length	Pulley Diameter	Number of Grooves
10	12	198	101	n/a	n/a


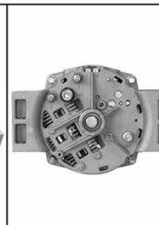
A12349
ND ALTERNATOR 12V 130 AMP MACK APPLICATIONS
Manufacturers: Mack, Cummins

A12490 12v 160a		B+ D+ W	Suits: USA DIESEL		
					
Engine: -					
Dimensions (mm)					
Adj. Hole Diameter	Pivot Hole Diameter	Adj. to Pivot	Leg/Foot Length	Pulley Diameter	Number of Grooves
10	12	198	101	NIL	NIL

A12490
ALT BOSCH 12V 160AMP,D+W
Manufacturers: Kenworth, Mack, Volvo, Caterpillar, Cummins, International, John Deere, Massey Ferguson, Volvo Penta, Bosch

A7297 24v 45AMP		Suits: INDUSTRIAL APPS DELCO 21			
					
Engine:					
Dimensions (mm) Note: -					
Adj. Hole Diameter	Pivot Hole Diameter	Adj. to Pivot	Leg/Foot Length	Pulley Diameter	Number of Grooves
13	13	198	102		

A7297
ALT, S/E, 24V 45A BRUSHLESS 20SI
Manufacturers: Komatsu, Delco, Caterpillar, Cummins

A8361 12v 100a I/R		Suits: CATERPILLAR			
					
Engine: -					
Dimensions (mm) Note: -					
Adj. Hole Diameter	Pivot Hole Diameter	Adj. to Pivot	Leg/Foot Length	Pulley Diameter	Number of Grooves
10.2 (2)	12 (2)	190/189	101 (2)	89	2-V

A8361
ALT DELCO QUAD MOUNT 12V 120A
Manufacturers: Cummins, Kenworth, Mack

CUMMINS

A8623 24V 35AMP		Suits: MOTOROLA	
Engine:			
			
Dimensions (mm)		Note: -	
Adj. Hole Diameter	Pivot Hole Diameter	Adj. to Pivot	Leg/Foot Length
M8	13	170	34
			Pulley Diameter
			67
			Number of Grooves
			1-v

A8623
ALTERNATOR REP MOTOROLA
24V 35A
Manufacturer: Cummins

S16658 12v 2.5kw G/R		CW Suits: CUMMINS	
Engine: 4G52			
			
Dimensions (mm)		Teeth: 13	
Pinion Offset:	Mt. Holes Cnt. to Cnt.	Spigot Diameter	Pinion Diameter
yes	90/90/127	89	40
			Pinion At Rest
			48

S16658
STARTER 12V G/R SUIT
CUMMINS
Manufacturers: Cummins,
Ford

S16990 12V 2.5kw G/R		CW Suits: CUMMINS	
Engine: 390, 580, 590			
			
Dimensions (mm)		Teeth: 13	
Pinion Offset:	Mt. Holes Cnt. to Cnt.	Spigot Diameter	Pinion Diameter
yes	126	89	39
			Pinion At Rest
			46

S16990
STARTER 12V 13TH CUMMINS
CASE
Manufacturer: Cummins

S1699024 24v 4.5kw G/R		CW Suits: CUMMINS ENGINES (WET CLUTCH)	
Engine: -			
			
Dimensions (mm)		Teeth: 13	
Pinion Offset:	Mt. Holes Cnt. to Cnt.	Spigot Diameter	Pinion Diameter
n/a	127	89	39
			Pinion At Rest
			47

S1699024
STARTER CUMMINS B 24V
G/R WET
Manufacturer: Cummins

S18406 12v 3.0kw G/R (Wet)		CW Suits: CUMMINS (NIPPONDENSO)	
Engine: 6C			
			
Dimensions (mm)		Teeth: 10	
Pinion Offset:	Mt. Holes Cnt. to Cnt.	Spigot Diameter	Pinion Diameter
n/a	126 x 3	92	40
			Pinion At Rest
			50

S18406
STR. 12V 4KW CUMMINS
6C WET
Manufacturer: Cummins

S18535 24v 6.0kw G/R		CW Suits: CUMMINS	
Engine: 8.3L			
			
Dimensions (mm)		Teeth: 10	
Pinion Offset:	Mt. Holes Cnt. to Cnt.	Spigot Diameter	Pinion Diameter
yes	126 x 3	92	39
			Pinion At Rest
			52

S18535
CUMMINS 24V, 10TOOTH
(WET)
Manufacturer: Cummins

S18981 12v 2.2kw G/R		CW Suits: CUMMINS 2003-	
Engine: B3.3L			
			
Dimensions (mm)		Teeth: 9	
Pinion Offset:	Mt. Holes Cnt. to Cnt.	Spigot Diameter	Pinion Diameter
no	120	95	35
			Pinion At Rest
			19

S18981
Cummins B3.3L Engine 2003-
On 12v 2.2KW 9TH 35MM
GEAR
Manufacturer: Cummins

<p>S6904U 12v 7.2kw Replaces 11th Delco</p> <p>S6805U 12v 7.2kw Replaces 12th Delco</p> <p>S6813 24v 8.3kw Replaces 12th Delco</p> <p>S19535U 24v 8.3kw Replaces 11th Delco</p> <p>S6833 24v (38mm) 3.8kw Replaces 12th Delco</p>	<p>39MT PGR DELCO 38MT PGR:</p> <tr> <td colspan="2"></td> <td colspan="2"></td> </tr> <tr> <td colspan="2">Dimensions (mm)</td> <td colspan="2">Teeth: 11th or 12th</td> </tr> <tr> <td>Pinion Offset:</td> <td>Mt. Holes Cnt. to Cnt.</td> <td>Spigot Diameter</td> <td>Pinion Diameter</td> </tr> <tr> <td>yes</td> <td>126 x 3</td> <td>92</td> <td>39</td> </tr> <tr> <td></td> <td></td> <td></td> <td>Pinion At Rest</td> </tr> <tr> <td></td> <td></td> <td></td> <td>47</td> </tr>					Dimensions (mm)		Teeth: 11th or 12th		Pinion Offset:	Mt. Holes Cnt. to Cnt.	Spigot Diameter	Pinion Diameter	yes	126 x 3	92	39				Pinion At Rest				47
																									
Dimensions (mm)		Teeth: 11th or 12th																							
Pinion Offset:	Mt. Holes Cnt. to Cnt.	Spigot Diameter	Pinion Diameter																						
yes	126 x 3	92	39																						
			Pinion At Rest																						
			47																						

S19535U
STARTER 39MT 24V 11TOOTH
CUMMINS
Manufacturers: Delco,
Cummins, Kenworth

CUMMINS

S6264		CCW	Suits: CATERPILLAR, CUMMINS		
24v 7.8kw G/R		Engine: MARINE			
					
Dimensions (mm)		Teeth: 11			
Pinion Offset:	Mt. Holes Cnt. to Cnt. 126 x 3	Spigot Diameter 92	Pinion Diameter 56	Pinion At Rest 48	



S6264
STARTER 42MT 12V. 11TH
56MM CCW
Manufacturers: Caterpillar,
Cummins

S7057		CW	Suits: (WET CLUTCH)		
12v 2.5kw G/R		Engine: CUMMINS DIESEL			
					
Dimensions (mm)		Teeth: 10			
Pinion Offset:	Mt. Holes Cnt. to Cnt. 90/90/127	Spigot Diameter 89	Pinion Diameter 32	Pinion At Rest 45.5	

S7057
STARTER 28MT 12V WET
10TH32MM
Manufacturers: Cummins,
Delco

S7063		CW	Suits: DELCO 28MT (WET CLUTCH)		
12v 2.5kw G/R		Engine: CUMMINS			
					
Dimensions (mm)		Teeth: 10			
Pinion Offset:	Mt. Holes Cnt. to Cnt. 90/90/127	Spigot Diameter 89	Pinion Diameter 32	Pinion At Rest 45	

S7063
STR 28MT 12V 2.5KW 10TH
WET 32MM
Manufacturers: Cummins,
Delco

S7150		CW	Suits: LIGHT & MEDIUM DUTY TRUCKS, OFF ROADERS		
24v 4.5kw G/R		Engine: (DRY CLUTCH)			
					
Dimensions (mm)		Teeth: 10			
Pinion Offset:	Mt. Holes Cnt. to Cnt. 90/90/127	Spigot Diameter 89	Pinion Diameter 32	Pinion At Rest 45.5	

S7150
STARTER 24V 10TH32MM
28MT(DRY)
Manufacturers: Delco,
Cummins

S7158		CW	Suits: MACK TRUCKS 28MT DELCO		
24v 4.5kw OSGR		Engine: CUMMINS			
					
Dimensions (mm)		Teeth: 10			
Pinion Offset:	Mt. Holes Cnt. to Cnt. 90 x 90 x 127	Spigot Diameter 89	Pinion Diameter 32	Pinion At Rest 46	

S7158
STR 28MT 24V WET 10TH
32MM
Manufacturers: Mack, Delco,
Cummins

S7162		CW	Suits: CUMMINS		
24v 4.5kw G/R		Engine: 5.9L			
					
Dimensions (mm)		Teeth: 10			
Pinion Offset:	Mt. Holes Cnt. to Cnt. 90/90/127	Spigot Diameter 89	Pinion Diameter 32	Pinion At Rest 45	

S7162
STR 28MT 24V 10THX32 WET
CUMMINS
Manufacturers: Cummins,
Delco

S9034		CW	Suits: KOMATSU - NIPPONDENSO (WET CLUTCH)		
24v 4.5kw G/R		Engine: S6D170			
					
Dimensions (mm)		Teeth: 10			
Pinion Offset:	Mt. Holes Cnt. to Cnt. 127	Spigot Diameter 88	Pinion Diameter 40	Pinion At Rest 49	

S9034
STARTER 24V ND WET
(CUMMINS)10TH
Manufacturers: Komatsu,
Cummins

DOOSAN



S17177

STARTER MITSU FORKLIFT 10TH PMGR

Manufacturers: Doosan, Mitsubishi, Forklift



S9055

STR 12V G/R ISEKI/ISUZU/DOOSAN 11TH

Manufacturers: Iseki, Doosan, Isuzu

FORD



A11054

ALT, FORD FOCUS & VOLVO S40,c/w ORC

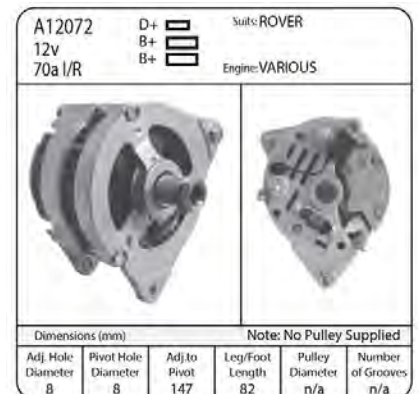
Manufacturers: Ford, Volvo



A12046

ALT, 12V LUCAS 55amp L.H. with pulley & fan

Manufacturers: Massey Ferguson, Ford, Perkins



A12072

A115 70A LUCAS ALTERNATOR RH

Manufacturers: Ford, Perkins, Rover

FORD

A13190
12v
75a

Suits: FORD MERCURY, TEMPO, TOPAZ
Engine: 2.3L

Dimensions					
Adj. Hole Diameter	Pivot Hole Diameter	Adj. to Pivot	Leg/Foot Length	Pulley Diameter	Number of Grooves
8	10	151	78	75	1-V

A13190
ALT.FORD TEMPO MERCURY TOPAZ 2.3L
Manufacturers: Ford

A13196
12v
70a I/R

Suits: MAZDA 626, B1800, B2000, B2200
Engine: F8, FE

Dimensions (mm)					
Adj. Hole Diameter	Pivot Hole Diameter	Adj. to Pivot	Leg/Foot Length	Pulley Diameter	Number of Grooves
6	8/10	176	65	64	3

A13196
ALT MITSU IR/IF 3RIB MAZDA S&L
Manufacturers: Mazda, Ford

A13445
12v
80a I/R

Suits: MAZDA 626 1993-97
Engine: -

Dimensions (mm)					
Adj. Hole Diameter	Pivot Hole Diameter	Adj. to Pivot	Leg/Foot Length	Pulley Diameter	Number of Grooves
8	10	175	67	54	4

A13445
ALT.FORD PROBE, MAZDA626, KIA
Manufacturers: Mazda, Ford

A13446
12v
90a I/R

Suits: MAZDA 626 1992-96, TX5 1992-96
Engine: KF, KL, K8

Dimensions (mm)					
Adj. Hole Diameter	Pivot Hole Diameter	Adj. to Pivot	Leg/Foot Length	Pulley Diameter	Number of Grooves
10	8 x 10	175	65	59	5

A13446
ALT.12V 90A PROBE 626 MX6 CRONOS
Manufacturers: Mazda, Ford

A14029
12v
50a I/R

Suits: FORD ESCORT, CORTINA
Engine: VARIOUS

Dimensions					
Adj. Hole Diameter	Pivot Hole Diameter	Adj. to Pivot	Leg/Foot Length	Pulley Diameter	Number of Grooves
8	8	143	86	65	1-V

A14029
ALT -12V.18ACR L.H. LUCAS 50AMP LRA100
Manufacturers: Ford, Perkins, Massey Ferguson, Rover

A14030
12v
50a I/R

Suits: LUCAS 18ACR
Engine: Various Right Hand Version

Dimensions					
Adj. Hole Diameter	Pivot Hole Diameter	Adj. to Pivot	Leg/Foot Length	Pulley Diameter	Number of Grooves
8	8	143	86	65	1-V

A14030
ALT 12 V 18 ACR LRA101 (2 CLOCK ADJ)
Manufacturers: Ford, Perkins, Massey Ferguson, Rover

A14092
12v
70a I/R

Suits: ROVER
Engine:

Dimensions (mm)					
Adj. Hole Diameter	Pivot Hole Diameter	Adj. to Pivot	Leg/Foot Length	Pulley Diameter	Number of Grooves
8	8	143	86	65	1-V

A14092
ALT.LUCAS A113 LEFT HAND 12V 70AMP
Manufacturers: Ford, Perkins, Rover

A14902
12v
60a I/R

Suits: MAZDA 323
Engine: 1.6L

Dimensions (mm)					
Adj. Hole Diameter	Pivot Hole Diameter	Adj. to Pivot	Leg/Foot Length	Pulley Diameter	Number of Grooves
6	8	175	65	67	1V

A14902
ALTERNATOR 12V P TERM LAS/MAZ
Manufacturers: Ford, Mazda

**NO
IMAGE
AVAILABLE**

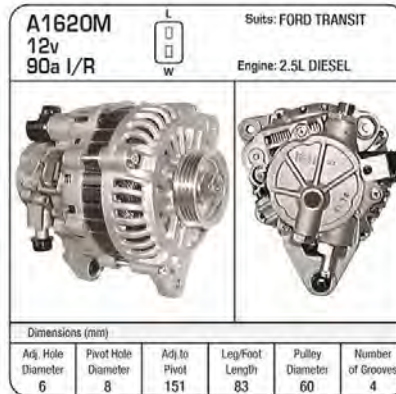
A1620
ALT VAC TYPE LUC TRANSIT NO PUMP
Manufacturer: Ford

FORD

**NO
IMAGE
AVAILABLE**

A1620F

Replace with BX415016
Manufacturer: Ford



A1620M

ALTERNATOR TRANSIT MIT
W/PMP
Manufacturer: Ford



A1808

ALTERNATOR MOTORCRAFT
MONDEO DIESEL
Manufacturer: Ford



A20969

ALT 12V BOSCH MONDEO
ALT-2066
Manufacturers: Ford, Bosch



A21222

ALTERNATOR FORD ESCORT
1.6L 70A
Manufacturer: Ford



A21356

ALT FORD FOCUS 1.4 1.6
98-2000 PCM CONT
Manufacturer: Ford



A22169

ALT FORD FIESTA 1.4L, 1.6L
16V 2001-ON
Manufacturer: Ford



A23064

ALT.12V 90A ODD MAZDA,
HITACHI,
Manufacturers: Ford, Mazda



A23201

ALT M/CRAFT FORD/MAZDA
BOUNTY
Manufacturers: Mazda, Ford

FORD

Suits: -
Engine: -

CORE EXCHANGE

Dimensions (mm)						Note: -
Adj. Hole Diameter	Pivot Hole Diameter	Adj. to Pivot	Leg/Foot Length	Pulley Diameter	Number of Grooves	
-	-	-	-	-	-	-

A23839

ALT, 12V, DENSO FOCUS PAD
MNT 04~ PCM CONTROL
Manufacturer: Ford

A23839CP
12v
120a I/R

Suits: FORD FOCUS
VOLVO, C30, V50
Engine: 1.8L 2.0L

Dimensions						Note: -
Adj. Hole Diameter	Pivot Hole Diameter	Adj. to Pivot	Leg/Foot Length	Pulley Diameter	Number of Grooves	
7	9	202	72	49	6	

A23839CP

ALT 12V ND SUIT FOCUS PAD
MNT 04- PCM ORC
Manufacturers: Ford, Volvo

A23912
12v 10AMP

Suits: FORD FOCUS
Engine: 1.8L TDCI

CORE EXCHANGE

Dimensions (mm)						Note: -
Adj. Hole Diameter	Pivot Hole Diameter	Adj. to Pivot	Leg/Foot Length	Pulley Diameter	Number of Grooves	
8	8	141	52x2			

A23912

ALT, FORD FOCUS 1.8L TDCI
2005-ON
Manufacturer: Ford

A23925
12V 156A

Suits: CITROEN, FIAT
PEUGEOT, FORD
Engine: -

Dimensions (mm)						Note: -
Adj. Hole Diameter	Pivot Hole Diameter	Adj. to Pivot	Leg/Foot Length	Pulley Diameter	Number of Grooves	
14	11	177	75	58.5	6	

A23925

ALT 12V BOSCH C/P
TRANSIT, FIAT, 2006-13
Manufacturers: Citroen, Fiat,
Peugeot, Ford, Bosch

A3T14791
12v
110a I/R

Suits: FORD FALCON, EB, ED,
EF, EL, XH
Engine: 5.0L V8

Dimensions (mm)						Note: -
Adj. Hole Diameter	Pivot Hole Diameter	Adj. to Pivot	Leg/Foot Length	Pulley Diameter	Number of Grooves	
8	12	153	76.6	60	6	

A3T14791

ALT SUIT FORD V8 2 PIN
Manufacturer: Ford

A3TJ1691

Suits: FORD USA AUS
Engine: -

Dimensions (mm)						Note: -
Adj. Hole Diameter	Pivot Hole Diameter	Adj. to Pivot	Leg/Foot Length	Pulley Diameter	Number of Grooves	
-	-	-	-	-	-	-

A3TJ1691

ALT LATE FORD AUSSIE fg
Manufacturer: Ford

A4036
12v
70a I/R

Suits: FORKLIFT
(LUCAS)
Engine: -

Dimensions (mm)						Note: -
Adj. Hole Diameter	Pivot Hole Diameter	Adj. to Pivot	Leg/Foot Length	Pulley Diameter	Number of Grooves	
8x3	8	169	84	74	1-V	

A4036

ALTERNATOR 12V 70A
UNIVERSAL LUCAS TYPE
Manufacturers: Ford, Forklift,
Perkins, Rover

A4215
12v
90a I/R

Suits: FORD ESCORT
1996-99
Engine: 1.8L Diesel

Dimensions						Note: -
Adj. Hole Diameter	Pivot Hole Diameter	Adj. to Pivot	Leg/Foot Length	Pulley Diameter	Number of Grooves	
8	6	138	65	60	5	

A4215

ALT FORD ESCORT 1.8D
1996-1999
Manufacturer: Ford

A4219
12V 90A I/R

Suits: FORD FOCUS
Engine: -

Dimensions						Note: -
Adj. Hole Diameter	Pivot Hole Diameter	Adj. to Pivot	Leg/Foot Length	Pulley Diameter	Number of Grooves	
8	8	140	62	49	6	

A4219

ALTERNATOR FORD FOCUS
12V 80AMP
Manufacturer: Ford

FORD

A4222 B+ D+ W Suits: FORD ESCORT, MONDEO
12v ○ ○ ○
90a I/R Engine: Diesel



Dimensions					
Adj. Hole Diameter	Pivot Hole Diameter	Adj.to Pivot	Leg/Foot Length	Pulley Diameter	Number of Grooves
6	8	150	75	60	5

A4222

ALT MONDEO/ESCORT 12V
90A DIESEL
Manufacturer: Ford

A4227 B+ D+ W Suits: LAND ROVER
12v ○ ○ ○
100a I/R Engine: -



Dimensions (mm)					
Adj. Hole Diameter	Pivot Hole Diameter	Adj.to Pivot	Leg/Foot Length	Pulley Diameter	Number of Grooves
8	8	148	80	49	7

A4227

ALT, LAND ROVER 12V 100A
R.H. ADJ
Manufacturers: Land Rover,
Ford, Perkins, Rover

A4227L B+ D+ W Suits: ROVER
12v ○ ○ ○
100a I/R Engine: -



Dimensions (mm)					
Adj. Hole Diameter	Pivot Hole Diameter	Adj.to Pivot	Leg/Foot Length	Pulley Diameter	Number of Grooves
8	8	148	80	49	7

A4227L

ALT, LAND ROVER 12V 115A
L.H. Adj 10 oclock
Manufacturers: Ford, Perkin,
Rover, Land Rover

A4228 B+ D+ W Suits: ROVER, FORD, PERKINS
12V ○ ○ ○
120a I/R Engine: -



Dimensions (mm)					
Adj. Hole Diameter	Pivot Hole Diameter	Adj.to Pivot	Leg/Foot Length	Pulley Diameter	Number of Grooves
8	8	148	83	52	7

A4228

ALT, 12V 120A EUROPEAN...
R.H ADJ,
Manufacturers: Rover, Ford,
Perkins, Land Rover

A7750 A S T Suits: FORD EXPLORER
12V A S T
95a I/R Engine: -



Dimensions (mm)					
Adj. Hole Diameter	Pivot Hole Diameter	Adj.to Pivot	Leg/Foot Length	Pulley Diameter	Number of Grooves
12	13	178	74	59	6

Note: Solid Mounted

A7750

ALT FORD EXPLORER 12V 95A
Manufacturer: Ford

**NO
IMAGE
AVAILABLE**

A7751

ALTERNATOR MOTORCRAFT
95A 3G SERIES
Manufacturer: Ford

A7753 A S T Suits: FORD 3G SERIES
12v A S T
95a I/R Engine: 4.6L



Dimensions (mm)					
Adj. Hole Diameter	Pivot Hole Diameter	Adj.to Pivot	Leg/Foot Length	Pulley Diameter	Number of Grooves
8	8	109	26 x 2	55	6

Note: Solid Mounted

A7753

FORD ALT 12V 95A SUIT FORD
3G 4.6L
Manufacturer: Ford

A7755 A S T Suits: FORD FALCON EB, XRS, FAIRLANE, LTD 1990-94
12v A S T
90a I/R Engine: T, Z



Dimensions (mm)					
Adj. Hole Diameter	Pivot Hole Diameter	Adj.to Pivot	Leg/Foot Length	Pulley Diameter	Number of Grooves
6	11	150	76	60	6

A7755

ALTERNATOR FALCON V8
12V95A IR >
Manufacturer: Ford

**NO
IMAGE
AVAILABLE**

A7758

ALTERNATOR FORD 3G 12V
90A
Manufacturer: Ford

FORD

A7759M 12v 110a I/R		Suits: FORD FALCON Engine: AU	
			
Dimensions (mm)		Note: Mitsubishi Type	
Adj. Hole Diameter	Pivot Hole Diameter	Adj.to Pivot	Leg/Foot Length
9	9	110	45
			Pulley Diameter
			55
			Number of Grooves
			6

A7759M

ALT AU FALCON. MITSU 2 PIN TYPE



Manufacturer: Ford

A7768 12v 130a I/R		Suits: FORD EXPLORER (MOTORCRAFT) Engine: -	
			
Dimensions (mm)		Note: -	
Adj. Hole Diameter	Pivot Hole Diameter	Adj.to Pivot	Leg/Foot Length
14	14	174	74
			Pulley Diameter
			60
			Number of Grooves
			6

A7768

MOTORCRAFT 12V 130A FORD EXPLORER



Manufacturer: Ford

A7771 12v 130a I/R		Suits: FORD EXPLORER (MOTORCRAFT) Engine: R2, RF	
			
Dimensions		Note: -	
Adj. Hole Diameter	Pivot Hole Diameter	Adj.to Pivot	Leg/Foot Length
9	11	177	76
			Pulley Diameter
			64
			Number of Grooves
			6

A7771

ALTERNATOR FORD F250,F350 12V 130AMP

Manufacturer: Ford

A7775 12v 130AMP		Suits: FORD 1995-1996 Engine: 2.5L	
			
Dimensions (mm)		Note: -	
Adj. Hole Diameter	Pivot Hole Diameter	Adj.to Pivot	Leg/Foot Length
11	11	185	2X27
			Pulley Diameter
			64
			Number of Grooves
			6

A7775

ALTERNATOR FORD MONDEO/ CONTOUR 130A 95-98

Manufacturer: Ford

A7778-11 12v 115a I/R		Suits: FORD TRUCK 1993-98 Engine: -	
			
Dimensions (mm)		Note: -	
Adj. Hole Diameter	Pivot Hole Diameter	Adj.to Pivot	Leg/Foot Length
9	10	177	76
			Pulley Diameter
			76
			Number of Grooves
			2-V

A7778-11

ALTERNATOR FORD TRUCK 115A 93/98

Manufacturer: Ford

A7780 12v 130a I/R		Suits: FORD TAURUS 1996-99 Engine: 3.0L V6	
			
Dimensions		Note: -	
Adj. Hole Diameter	Pivot Hole Diameter	Adj.to Pivot	Leg/Foot Length
10	13	175	116 x 2
			Pulley Diameter
			70
			Number of Grooves
			6

A7780

ALT 12V 130A FORD TAURUS

Manufacturer: Ford

A7785-3 12v 95a I/R		Suits: FORD Engine: -	
			
Dimensions (mm)		Note: -	
Adj. Hole Diameter	Pivot Hole Diameter	Adj.to Pivot	Leg/Foot Length
6	10	177	76
			Pulley Diameter
			69
			Number of Grooves
			8

A7785-3

ALT SUIT FORD 95A 8 RIB

Manufacturer: Ford

A7786 12v 130a I/R		Suits: FORD 4G FALCON, EXPLORER Engine: -	
			
Dimensions (mm)		Note: -	
Adj. Hole Diameter	Pivot Hole Diameter	Adj.to Pivot	Leg/Foot Length
13	13	175	56
			Pulley Diameter
			59
			Number of Grooves
			6

A7786

ALT FORD 4G TRI MOUNT FALCON/EXPLORER

Manufacturer: Ford

A7787 12v 130a		Suits: FORD EXPLORER 96-2001 Engine: -	
			
Dimensions (mm)		Note: -	
Adj. Hole Diameter	Pivot Hole Diameter	Adj.to Pivot	Leg/Foot Length
11 x 2	11x14x2	176x68x2	80
			Pulley Diameter
			57
			Number of Grooves
			6

A7787

ALT FORD EXPLORER 96-2001

Manufacturer: Ford

FORD

A8250
12v
110a I/R

Suits: FORD ESCAPE,
MONDEO
Engine: 1.6L-2L

Dimensions (mm)					
Adj. Hole Diameter	Pivot Hole Diameter	Adj to Pivot	Leg/Foot Length	Pulley Diameter	Number of Grooves
9	9	141	64	48	6

A8250
ALT FORD MONDEO/ESCAPE
Manufacturer: Ford

A8259
12v
110a I/R

Suits: MAZDA TRIBUTE
Engine: 3.0L

Dimensions (mm) Note: P&D Regulator need special tester # CN-002					
Adj. Hole Diameter	Pivot Hole Diameter	Adj to Pivot	Leg/Foot Length	Pulley Diameter	Number of Grooves
12	12	175	75	56	6

A8259
ALT TRIBUTE FORD ESCAPE
LRC REG PAD MT
Manufacturers: Mazda, Ford

A8315
12v
135a I/R

Suits: FORD FALCON, BA
Note: TOTALLY PCM CONTROLLED

Dimensions (mm)					
Adj. Hole Diameter	Pivot Hole Diameter	Adj to Pivot	Leg/Foot Length	Pulley Diameter	Number of Grooves
Slotted	Slotted	109	26 x 2	59	6

A8315
ALT FORD 02-04 135A Pcm
controlled FG FALCON
Manufacturer: Ford

A8440
12v
90a I/R

Suits: FORD MONDEO,
FOCUS VISTEON
Engine: -

Dimensions (mm) Note: -					
Adj. Hole Diameter	Pivot Hole Diameter	Adj to Pivot	Leg/Foot Length	Pulley Diameter	Number of Grooves
14	14/12	175	96	53	6

A8440
ALT, Visteon Focus & MONDEO
Manufacturer: Ford

A91897
12v
60a I/R

Suits: FORD FALCON EB
(Mitsubishi Version)
Engine: 6 CYL

Dimensions (mm)					
Adj. Hole Diameter	Pivot Hole Diameter	Adj to Pivot	Leg/Foot Length	Pulley Diameter	Number of Grooves
8	10	175	65	47	3

A91897
ALT MITSU 12V SUIT FORD EB
Manufacturer: Ford

A9602
12v
80a I/R, I/F

Suits: FORD FALCON
Engine: EB-ED

Dimensions (mm)					
Adj. Hole Diameter	Pivot Hole Diameter	Adj to Pivot	Leg/Foot Length	Pulley Diameter	Number of Grooves
6	10	175	66	62	6

A9602
ALT, 12V FORD FALCON I/F EF
EL 6CYL
Manufacturer: Ford

A-V001
12v
50a I/R

Suits: MAZDA TITAN
Engine: 3.5L - HA, XA

Dimensions (mm)					
Adj. Hole Diameter	Pivot Hole Diameter	Adj to Pivot	Leg/Foot Length	Pulley Diameter	Number of Grooves
10	12	175	80	84	1-V

A-V001
ALT. 12v 50AMP TRADER/
TITAN...VAC
Manufacturers: Mazda, Ford

A-V002
24v
40 a I/R, I/F

Suits: FORD TRADER
MAZDA TITAN
Engine: 3.5L HA XA

Dimensions (mm) Note: 30cc Vac Pump					
Adj. Hole Diameter	Pivot Hole Diameter	Adj to Pivot	Leg/Foot Length	Pulley Diameter	Number of Grooves
7	10	174	82	79	1-V

A-V002
ALTERNATOR 24V MAZDA
TITAN IF/IR L & R
Manufacturers: Mazda, Ford

BX415016
12V 105A I/R

Suits: FORD TRANSIT
2000-2006
Engine:

Dimensions (mm) Note: C/W ORC PULLEY					
Adj. Hole Diameter	Pivot Hole Diameter	Adj to Pivot	Leg/Foot Length	Pulley Diameter	Number of Grooves
10	11	175	74	59	7

BX415016
ALT, INC ORC, REP BOSCH
TRANSIT 2000-06
Manufacturers: Ford, Bosch

FORD

BXC8071	CW	Suits: CORTINA (AUTO) FITS UPSIDE DOWN FOR MANUAL
12v 1.4kw PMGR		Engine: S.O.H.C
Dimensions (mm) Note: Manuals - Fitted Upside Down Teeth: 10		
Pinion Offset: n/a	Mt. Holes Cnt. to Cnt.: 80/80/114	Spigot Diameter: 89
	Pinion Diameter: 26	Pinion At Rest: 27

BXC8071
STARTER CORTINA PLNTRY
SUIT AUTO
Manufacturer: Ford

BXF1238	B+ D+	Suits: FORD
12v 55a		Engine:
Dimensions (mm)		
Adj. Hole Diameter: M8	Pivot Hole Diameter: 10.5	Adj. to Pivot: 168
	Leg/Foot Length: 76	Pulley Diameter: 82
		Number of Grooves: 1-V

BXF1238
ALT FORD 12V 55A 76MM
FOOT INT REG
Manufacturers: Bosch, Ford

BXF1257		Suits: EA FALCON
12V 85AMP		Engine: 6DY
Dimensions (mm) Note: -		
Adj. Hole Diameter: M10	Pivot Hole Diameter: 10	Adj. to Pivot: 187
	Leg/Foot Length: 69	Pulley Diameter: 56
		Number of Grooves: 3

BXF1257
EA,EB FALCON ALT,12V 85 AMP
Manufacturers: Bosch, Ford

BXF-128	CW	Suits: FORD (AUSTRALIAN) XP-BA
12v 1.4kw PMGR		Engine: 6 cyl
Dimensions (mm) Teeth: 9		
Pinion Offset: n/a	Mt. Holes Cnt. to Cnt.: 134	Spigot Diameter: 103
	Pinion Diameter: 26	Pinion At Rest: 14

BXF128
BOSCH STR, XP-BF FALCON &
Territory
Manufacturers: Ford, Bosch

S1234	CW	Suits: FORD ZEPHYR
12v 1.6kw G/R		Engine: V6
Dimensions (mm) Teeth: 9		
Pinion Offset: n/a	Mt. Holes Cnt. to Cnt.: 146	Spigot Diameter: 96.5
	Pinion Diameter: 29	Pinion At Rest: 14

S1234
STARTER 12V ND SUIT V6
ZEPHYR
Manufacturer: Ford

S1620B	CW	Suits: FORD TRANSIT (BOSCH TYPE)
12v 2.0 kw PMGR		Engine: 2.5 DIESEL
Dimensions (mm) Teeth: 13		
Pinion Offset: no	Mt. Holes Cnt. to Cnt.: 145/117/76	Spigot Diameter: 92
	Pinion Diameter: 46	Pinion At Rest: 19

S1620B
STARTER BOSCH TRANSIT
DSL 12V
Manufacturers: Ford, Bosch

S1620F	CW	Suits: FORD TRANSIT (MOTORCRAFT TYPE)
12v PMGR		Engine: 2.5 DIESEL
Dimensions (mm) Teeth: 13		
Pinion Offset: no	Mt. Holes Cnt. to Cnt.: 117/76/146	Spigot Diameter: 91
	Pinion Diameter: 43	Pinion At Rest: 19

S1620F
STARTER 12TH MOTORCRAFT
TRANSIT
Manufacturer: Ford

S16527	CW	Suits: FORD COURIER, ECONOVAN
12v 0.8kw D/D		Engine: MA, NA, VC
Dimensions (mm) Note: Both Mt. Holes Threaded Teeth: 8		
Pinion Offset: no	Mt. Holes Cnt. to Cnt.: 105	Spigot Diameter: 74
	Pinion Diameter: 28	Pinion At Rest: 20.5

S16527
STR.MAZDA 626 1979-82
Manufacturers: Ford, Mazda

S16658	CW	Suits: CUMMINS
12v 2.5kw G/R		Engine: 4G52
Dimensions (mm) Teeth: 13		
Pinion Offset: yes	Mt. Holes Cnt. to Cnt.: 90/90/127	Spigot Diameter: 89
	Pinion Diameter: 40	Pinion At Rest: 48

S16658
STARTER 12V G/R SUIT
CUMMINS
Manufacturers: Cummins,
Ford

FORD

S16859		CW	Suits: FORD	
12v 8.0kw		Engine: 4 CYL - PETROL		
D/D				
				
Dimensions (mm)		Teeth: 8		
Pinion Offset: n/a	Mt. Holes Cnt. to Cnt. 78/80/109	Spigot Diameter 74	Pinion Diameter 26.5	Pinion At Rest 13

S16859
STARTER MAZDA 8TH 3HOLE
Manufacturer: Ford

S16933		CW	Suits: MAZDA 323 626 MX5 PROTEGE	
12v 1.4kw		Engine: BP B6 F2 F5		
PMGR				
				
Dimensions (mm)		Note: All Mt. Holes Threaded. Teeth 10		
Pinion Offset: n/a	Mt. Holes Cnt. to Cnt. 110 x 78 x 77	Spigot Diameter 74	Pinion Diameter 31.5	Pinion At Rest 16

S16933
STR.MAZDA 2.2L PICKUP
1988-93
Manufacturers: Mazda, Ford

S17010		CCW	Suits: FORD FESTIVA 1988-93	
12v 0.8kw		Engine: 1.3L		
D/D				
				
Dimensions (mm)		Teeth: 8		
Pinion Offset: no	Mt. Holes Cnt. to Cnt. 115	Spigot Diameter 70	Pinion Diameter 28	Pinion At Rest 20

S17010
STR FORD FESTIVA 88-93 CCW
Manufacturers: Mazda, Ford

S17244		CW	Suits: FORD AG TRACTOR	
12v 1.2kw		Engine: 3-77, 3-81, 3-85 DIESEL		
G/R				
				
Dimensions (mm)		Teeth: 11		
Pinion Offset: yes	Mt. Holes Cnt. to Cnt. 111	Spigot Diameter 74	Pinion Diameter 34	Pinion At Rest 19

S17244
STARTER MITSU G/R FORD/
MIT 3CYL
Manufacturers: Ford,
Mitsubishi

S17244N		CW	Suits: FORD AG TRACTOR	
12v 2.0kw		Engine: 3-77, 3-88, 3-85 DIESEL		
G/R				
				
Dimensions (mm)		Teeth: 9		
Pinion Offset: no	Mt. Holes Cnt. to Cnt. 111	Spigot Diameter 74	Pinion Diameter 34	Pinion At Rest 19

S17244N
STARTER H/D SUIT PERKINS
G/R
Manufacturer: Ford

S17578		CW	Suits: FORD	
12v 3.6kw		Engine: 7.3L DIESEL		
PLGR				
				
Dimensions (mm)		Teeth: 12		
Pinion Offset: yes	Mt. Holes Cnt. to Cnt. 90/90/127	Spigot Diameter 88	Pinion Diameter 36	Pinion At Rest 33

S17578
STR.FORD TRUCKS 7.3L DSL
W/DIRECT
Manufacturer: Ford

S2002		CW	Suits: FORD GRANADA	
12v 1.4kw		Engine: 2.4, 2.9		
PMGR				
				
Dimensions (mm)		Teeth: 9		
Pinion Offset: no	Mt. Holes Cnt. to Cnt. 105	Spigot Diameter 76	Pinion Diameter 25	Pinion At Rest 6

S2002
STARTER 12V PMGR FORD
GRANADA
Manufacturer: Ford

S2007		CW	Suits: FORD SIERRA	
12v 1.4kw		Engine: -		
PMGR				
				
Dimensions (mm)		Teeth: 10		
Pinion Offset: no	Mt. Holes Cnt. to Cnt. 114.4/80/80	Spigot Diameter 88.5	Pinion Diameter 26	Pinion At Rest 28

S2007
STARTER FORD 12V PMGR
Manufacturer: Ford

S2009		CW	Suits: FORD w/GRANADA, SCORPIO, SIERRA	
12v 1.4kw		Engine: 1.8, 2.0, 2.0L		
PMGR				
				
Dimensions (mm)		Teeth: 10		
Pinion Offset: no	Mt. Holes Cnt. to Cnt. 114/80.5/80.5	Spigot Diameter 76	Pinion Diameter 27	Pinion At Rest 14.5

S2009
STARTER BOSCH PMGR FORD
1.8 2LTR
Manufacturers: Ford, Bosch

FORD

S2018		CCW	Suits: FORD	
12v 1.4kw		Engine: KA		
G/R				
				
Dimensions (mm)		Teeth: 21		
Pinion Offset: no	Mt. Holes Cnt. to Cnt. 117/85.5/75	Spigot Diameter 71.5	Pinion Diameter 50	Pinion At Rest 9

S2018
STARTER 12V SUIT FORD KA
21TH CCW
Manufacturer: Ford

S2038		CW	Suits: FORD MONDEO	
12v		1993-00		
PMGR		Engine: 1.6 - 2.0L		
				
Dimensions (mm)		Note: Top Mt. Holes Threaded		Teeth: 10
Pinion Offset: no	Mt. Holes Cnt. to Cnt. 73/66/111	Spigot Diameter 76	Pinion Diameter 27	Pinion At Rest 14

S2038
FORD MONDEO
Manufacturer: Ford

S2048		Suits: FORD GRANADA		
Engine:				
				
Dimensions (mm)		Teeth: 10		
Pinion Offset:	Mt. Holes Cnt. to Cnt. 81x81x114	Spigot Diameter 75	Pinion Diameter 25	Pinion At Rest 15

S2048
FORD GRANADA
Manufacturer: Ford

S2232		CW	Suits: FORD TRANSIT	
12v 2.3kw		(SIDE MOUNT)		
PMGR		Engine: 2.0 - 2.4L		
				
Dimensions (mm)		Teeth: 19		
Pinion Offset: no	Mt. Holes Cnt. to Cnt. 89	Spigot Diameter n/a	Pinion Diameter 52	Pinion At Rest n/a

S2232
FORD STR 12V 2.3KW SIDE
MT. TRANSIT 2000
Manufacturer: Ford

S289A		CW	Suits: FORD	
12v 1.0kw		Engine: V8 AUTOMATIC		
G/R				
				
Dimensions (mm)		Teeth: 9		
Pinion Offset: no	Mt. Holes Cnt. to Cnt. 133	Spigot Diameter 104	Pinion Diameter 25	Pinion At Rest 14

S289A
STARTER FORD V8 AUTO
ND G/R
Manufacturer: Ford

S289M		CW	Suits: FORD	
12v 10kw		Engine: V8 MANUAL TRANS		
G/R				
				
Dimensions (mm)		Teeth: 9		
Pinion Offset: no	Mt. Holes Cnt. to Cnt. 133	Spigot Diameter 103	Pinion Diameter 25	Pinion At Rest 9

S289M
STARTER FORD V8 MANUAL
Manufacturer: Ford

S3043		CW	Suits: FORD F SERIES, EXPLORER	
12v 1.4kw		Engine: 5.0L, 6.0L, 7.0L		
PMGR				
				
Dimensions (mm)		Teeth: 10		
Pinion Offset: yes	Mt. Holes Cnt. to Cnt. 134	Spigot Diameter 104	Pinion Diameter 28	Pinion At Rest 14

S3043
STARTER 12V FORD USA
PMGR V8 REPLACES RATRAP
Manufacturer: Ford

S30733		CW	Suits: FORD	
12v 1.7kw		Engine: 1.8L DIESEL		
PMGR				
				
Dimensions (mm)		Note: All Mt. Holes Threaded		Teeth: 9
Pinion Offset: n/a	Mt. Holes Cnt. to Cnt. 102/66/66	Spigot Diameter 76	Pinion Diameter 29	Pinion At Rest 14

S30733
STR 12V 1.7KW EURO FORD/
MAZDA PLANETARY
Manufacturers: Mazda, Ford

S31167		CW	Suits: FORD FIESTA, FOCUS	
12v 1.1kw		Engine: 1.2, 1.4L		
PMGR				
				
Dimensions (mm)		Teeth: 10		
Pinion Offset: no	Mt. Holes Cnt. to Cnt. 105	Spigot Diameter 76	Pinion Diameter 27	Pinion At Rest 28

S31167
STR,12V 1.1KW FOCUS/
FIESTA 95-ON
Manufacturer: Ford

FORD

S31305		CW	Suits: MAZDA TITAN FORD TRADER	
12v 2.7kw G/R		Engine: SL DIESEL		
				
Dimensions (mm)		Teeth: 14		
Pinion Offset:	Mt. Holes Cnt. to Cnt.	Spigot Diameter	Pinion Diameter	Pinion At Rest
yes	144 x 111 x 108	100	43	45.5

S31305
STARTER 12V MAZDA/FORD
CCW TITAN, TRADER
Manufacturers: Mazda, Ford

S3180		CW	Suits: FORD V8	
12v PMGR		Engine: AUTOMATIC		
				
Dimensions (mm)		Teeth: 9		
Pinion Offset:	Mt. Holes Cnt. to Cnt.	Spigot Diameter	Pinion Diameter	Pinion At Rest
no	133	104	25	11

S3180
STARTER PMGR REP RAT
TRAP AUTO
Manufacturer: Ford

S3185		CW	Suits: FORD V8	
12v PMGR		Engine: MANUAL		
				
Dimensions (mm)		Teeth: 9		
Pinion Offset:	Mt. Holes Cnt. to Cnt.	Spigot Diameter	Pinion Diameter	Pinion At Rest
no	133	105	25	5

S3185
STR RATTRAP REPLACEMENT
MANUAL
Manufacturer: Ford

S3205		CW	Suits: FORD	
12v 1.4kw PMGR		Engine: V8 AUTOMATIC		
				
Dimensions (mm)		Teeth: 10		
Pinion Offset:	Mt. Holes Cnt. to Cnt.	Spigot Diameter	Pinion Diameter	Pinion At Rest
Yes	134	104	28	14

S3205
STR FORD 12V PMGR V8, AUTO
Manufacturer: Ford

S3213		CW	Suits: FORD FALCON 1990-97	
12v 1.4kw PMGR		Engine: V8		
				
Dimensions (mm)		Note: All Mt. Holes Threaded		
		Teeth: 10		
Pinion Offset:	Mt. Holes Cnt. to Cnt.	Spigot Diameter	Pinion Diameter	Pinion At Rest
no	103/66/66	76	28	19

S3213
STR FORD PMGR 10TH 90-95
V8 AU111
Manufacturer: Ford

S3217		CW	Suits: FORD	
12v 1.4kw PMGR		Engine: ESCORT		
				
Dimensions (mm)		Note: Top Mt. Holes Threaded		
		Teeth: 10		
Pinion Offset:	Mt. Holes Cnt. to Cnt.	Spigot Diameter	Pinion Diameter	Pinion At Rest
no	66/71/103	76	27	10

S3217
FORD 12V 1.4KW 10TH
ESCORT 91-97
Manufacturer: Ford

S3223		CW	Suits: FORD	
12v 1.4kw PMGR		Engine: V8 MANUAL		
				
Dimensions (mm)		Teeth: 10		
Pinion Offset:	Mt. Holes Cnt. to Cnt.	Spigot Diameter	Pinion Diameter	Pinion At Rest
yes	134	105	28	8

S3223
STR FORD V8 PMGR MANUAL
Manufacturer: Ford

S3224		CW	Suits: FORD EXPLORER RANGER	
12V 1.4KW PMGR		Engine: 2.9L - 4L V6		
				
Dimensions		Teeth: 10		
Pinion Offset:	Mt. Holes Cnt. to Cnt.	Spigot Diameter	Pinion Diameter	Pinion At Rest
YES	132	104	27	16

S3224
STR 12V 1.4KW 10TH
EXPLORER 91-95
Manufacturer: Ford

S3232		CW	Suits: FORD (USA)	
12v 1.4kw PMGR		Engine: 4.0L V6		
				
Dimensions (mm)		Teeth: 10		
Pinion Offset:	Mt. Holes Cnt. to Cnt.	Spigot Diameter	Pinion Diameter	Pinion At Rest
yes	132	105	27	4

S3232
STR 12V 1.4KW 10TH
EXPLORER V6 4.0L
Manufacturer: Ford

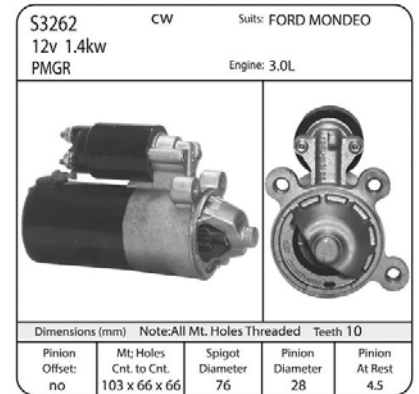
FORD



S32507
STARTER SUIT FORD FOCUS/
MONDEO 12V CW 11TH
1.5KW
Manufacturer: Ford



S3261
STARTER 12V PMGR FORD/
MONDEO
Manufacturer: Ford



S3262
STARTER FORD PMGR 10TH
MONDEO
Manufacturer: Ford



S3264
STARTER FORD TAURUS TOP
MOUNT
Manufacturers: Ford, Mazda



S3271
STARTER FORD 4.0L V6 PMGR
EXPLORER/RANGER 99-2006
Manufacturer: Ford



S33149
FORD ESCORT, FOCUS
MONDEO 1.6L, 1.8L, 2.0L
1995-02
Manufacturer: Ford



S33243
STR TRANSIT/ DUCATO
2006 ON
Manufacturers: Ford, Fiat



S351A
STR FORD AUTO G/R
HEAVY DUTY
Manufacturer: Ford



S351M
STR FORD MANUAL G/R
HEAVY DUTY
Manufacturer: Ford


FORD

S3598 CW		Suits: FORD ESCAPE, MONDEO		
12v 1.2kw PMGR		Engine: -		
				
Dimensions (mm)		Teeth: 10		
Pinion Offset: no	Mt. Holes Cnt. to Cnt. 65/66/103	Spigot Diameter 76	Pinion Diameter 26	Pinion At Rest 3

S3598
FORD MONDEO/ESCAPE 12V 1.2KW 10th
Manufacturer: Ford

S4830 CW		Suits: FORD		
12v 2.0kw G/R		Engine: 2.5L Diesel		
				
Dimensions (mm)		Teeth: 9		
Pinion Offset: yes	Mt. Holes Cnt. to Cnt. 137/95/76	Spigot Diameter 82	Pinion Diameter 29	Pinion At Rest 18


S4830
STR,ND,2.5L DSL,RPL FORD COURIER & MITSU
Manufacturers: Mazda, Ford

S5000 CW		Suits: FORD (NIPPONDENSO)		
12v 2.0kw G/R		Engine: PERKINS		
				
Dimensions (mm)		Teeth: 10		
Pinion Offset: no	Mt. Holes Cnt. to Cnt. 102/102/146	Spigot Diameter 92	Pinion Diameter 38	Pinion At Rest 21

S5000
STARTER G/R SUIT FORD TRACTOR
Manufacturer: Ford

S5000HD CW		Suits: FORD		
12v 2.5kw G/R		Engine: M45, M50		
				
Dimensions (mm)		Teeth: 10		
Pinion Offset: no	Mt. Holes Cnt. to Cnt. 146/103/103	Spigot Diameter 92	Pinion Diameter 39	Pinion At Rest 20

S5000HD
STARTER 12V 10TH G/R HD REP M50
Manufacturer: Ford

S5001HD CW		Suits: FORD 5000 TRACTOR		
12v 2.5kw G/R		Engine: FORD INDUSTRIAL		
				
Dimensions (mm)		Note: Replaces M45-M50 Teeth: 10		
Pinion Offset: no	Mt. Holes Cnt. to Cnt. 103/103/146	Spigot Diameter 92	Pinion Diameter 39	Pinion At Rest 20

S5001HD
STARTER 12V 10TH REP M50/CA45
Manufacturer: Ford

S54471 CCW		Suits: MAZDA TITAN		
12v 2.7kw G/R		Engine: HA, XA		
				
Dimensions (mm)		Teeth: 14		
Pinion Offset: yes	Mt. Holes Cnt. to Cnt. 105/108/144	Spigot Diameter 100	Pinion Diameter 41.7	Pinion At Rest 29

S54471
STARTER 12V CCW SUIT MAZDA
Manufacturers: Mazda, Ford

S6037 CW		Suits: FORD		
12v 2.0kw G/R		Engine: -		
				
Dimensions (mm)		Teeth: 13		
Pinion Offset: yes	Mt. Holes Cnt. to Cnt. 111	Spigot Diameter 74	Pinion Diameter 39	Pinion At Rest 20

S6037
STARTER MITSU H/D G/R SUIT PERKINS
Manufacturers: Perkins, Ford

S6646 CW		Suits: FORD V8, V10		
12v 1.4kw PMGR		Engine: 4.6 - 6.8L		
				
Dimensions (mm)		Teeth: 12		
Pinion Offset: no	Mt. Holes Cnt. to Cnt. 64/63/102	Spigot Diameter 76	Pinion Diameter 31	Pinion At Rest 16

S6646
FORD 1999-06 4.6L-6.8L NOSELESS
Manufacturer: Ford

S6647 CW		Suits: FORD V8 AUTOMATIC		
12v 1.4kw PMGR		Engine: 4.2L, V6		
				
Dimensions (mm)		Teeth: 10		
Pinion Offset: yes	Mt. Holes Cnt. to Cnt. 135	Spigot Diameter 104	Pinion Diameter 27	Pinion At Rest 14

S6647
STR SUIT FORD AUTO (NEW NOSELESS)
Manufacturer: Ford

FORD

S6656 CW		Suits: FORD	
12v 1.5kw		Engine: 2.5, 3.0L V6	
PMGR			
			
Dimensions (mm)		Teeth: 22	
Pinion Offset:	Mt. Holes Cnt. to Cnt.	Spigot Diameter	Pinion Diameter
no	105	n/a	50
			Pinion At Rest
			n/a

S6656
STR FORD ESCAPE, JAGUAR X TYPE
Manufacturers: Ford, Mazda, Jaguar

S6657 CW		Suits: FORD RANGER, MAZDA B2300	
12v 1.4kw		Engine: 2.3L	
PMGR			
			
Dimensions (mm)		Teeth: 11	
Pinion Offset:	Mt. Holes Cnt. to Cnt.	Spigot Diameter	Pinion Diameter
n/a	97	66	34
			Pinion At Rest
			n/a

S6657
STR SUIT MAZDA /FORD PAD MOUNT
Manufacturers: Mazda, Ford

S6658 CW		Suits: FORD EXPLORER	
12v 1.4kw		Engine: 4.6L V8	
PMGR			
			
Dimensions (mm)		Teeth: 12	
Pinion Offset:	Mt. Holes Cnt. to Cnt.	Spigot Diameter	Pinion Diameter
no	62/64/101	76	31
			Pinion At Rest
			23

S6658
STR 4.6L V8 EXPLORER 02-06 NOSELESS
Manufacturer: Ford

S6669 CW		Suits: FORD TRUCKS	
12V 3.6KW		Engine:	
			
Dimensions (mm)		Teeth: 12	
Pinion Offset:	Mt. Holes Cnt. to Cnt.	Spigot Diameter	Pinion Diameter
no	127	88	36
			Pinion At Rest
			30

S6669
STARTER 12V 10TH G/R HD REP M50
Manufacturer: Ford

S6670 CW		Suits: FORD E, F SERIES	
12v 3.0kw		Engine: 6L DIESEL	
			
Dimensions (mm)		Teeth: 12	
Pinion Offset:	Mt. Holes Cnt. to Cnt.	Spigot Diameter	Pinion Diameter
no	79x81x133		37
			Pinion At Rest
			49

S6670
FORD E, F-SERIES 6.0L DSL 2003-06
Manufacturer: Ford

S6674		Suits: FORD FOCUS	
12v		Engine: 2.3, 2.5L	
PMGR			
			
Dimensions (mm)		Teeth: 11	
Pinion Offset:	Mt. Holes Cnt. to Cnt.	Spigot Diameter	Pinion Diameter
no	97	82	34
			Pinion At Rest
			17

S6674
STARTER MAZDA/FORD ESCAPE TRIBUTE 2004-2006
Manufacturers: Ford, Mazda

S7051 CW		Suits: CUMMINS, FORD 28MT (DRY CLUTCH)	
12v 2.5kw		Engine: 3.9L, 5.9L	
G/R			
			
Dimensions (mm)		Teeth: 10	
Pinion Offset:	Mt. Holes Cnt. to Cnt.	Spigot Diameter	Pinion Diameter
no	90/90/127	89	32
			Pinion At Rest
			46

S7051
STR 12V 10TH 32MM 28MT
Manufacturers: Ford, Delco

S7056 CW		Suits: FORD TRUCKS (DRY CLUTCH)	
12v 2.5kw		Engine: CUMMINS 5.9, FD1060 DIESEL	
			
Dimensions (mm)		Teeth: 10	
Pinion Offset:	Mt. Holes Cnt. to Cnt.	Spigot Diameter	Pinion Diameter
no	90/90/127	89	32
			Pinion At Rest
			45.5

S7056
STARTER 28MT 12V 10TH 32MM DRY
Manufacturers: Ford, Delco

S87091 CCW		Suits: MAZDA	
24v 5.0kw		Engine: HA, XA	
G/R			
			
Dimensions (mm)		Teeth: 13	
Pinion Offset:	Mt. Holes Cnt. to Cnt.	Spigot Diameter	Pinion Diameter
yes	144/108/105	100	40
			Pinion At Rest
			30


S87091
STR 24V CCW TRADER/TITAN PLANETRY
Manufacturers: Mazda, Ford

FORD

S9052	CW	Suits: FORD TRADER (NIPPONDENSO)
24v 4.5kw G/R		Engine: ZB
		
Dimensions (mm)		Teeth: 13
Pinion Offset: no	Mt. Holes Cnt. to Cnt. 94/115/144	Spigot Diameter 99
	Pinion Diameter 39	Pinion At Rest 26

S9052

STR 24V SUIT ZB 13th MAZDA
N.D.G/R
Manufacturers: Mazda, Ford

S9090	CCW	Suits: FORD TRADER (NIPPONDENSO TYPE)
24v 2.5kw G/R		Engine: HA, XA
		
Dimensions (mm)		Teeth: 12
Pinion Offset: no	Mt. Holes Cnt. to Cnt. 108/111/145	Spigot Diameter 100
	Pinion Diameter 37	Pinion At Rest 45

S9090

STR 24V CCW N/D MAZDA
SL HA
Manufacturers: Mazda, Ford

SB003	CW	Suits: FORD ESCORT, FIESTA, MONDEO, ORION
12v 2.2kw PLGR		Engine: 1.8L DIESEL
		
Dimensions (mm)		Teeth: 10
Pinion Offset: n/a	Mt. Holes Cnt. to Cnt. 65/65/102	Spigot Diameter 76.6
	Pinion Diameter 26.5	Pinion At Rest 47

SB003

STARTER BOSCH 2.2KW PLGR
DIESEL FORD
Manufacturers: Ford, Bosch

FORKLIFT

A107		Suits: FORKLIFT
12v 55a		Engine: Universal
		
Dimensions (mm)		
Adj. Hole Diameter 6	Pivot Hole Diameter 10	Adj. to Pivot 153
	Leg/Foot Length 24	Pulley Diameter 62
		Number of Grooves 1-V


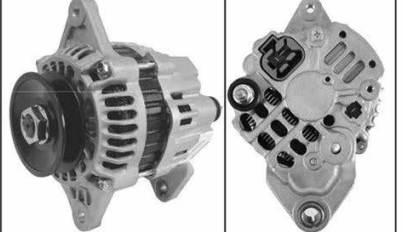
A107

ALTERNATOR 12V IC FORKLIFT
Manufacturers: Forklift,
Kubota

A12136	 	Suits: NISSAN FORKLIFT
12v 40a I/R		Engine:
		
Dimensions (mm)		
Adj. Hole Diameter 8	Pivot Hole Diameter 8	Adj. to Pivot 154
	Leg/Foot Length 81	Pulley Diameter 74
		Number of Grooves 1-V

A12136

ALTERNATOR NISSAN FORK
12V 40A
Manufacturers: Nissan, Forklift

A12138		Suits: YALE FORKLIFT
12v 40a I/R		Engine: -
		
Dimensions (mm)		
Adj. Hole Diameter 6	Pivot Hole Diameter 10	Adj. to Pivot 154
	Leg/Foot Length 80	Pulley Diameter 74
		Number of Grooves 1-V

A12138

ALTERNATOR 12V YALE FORK
LIFT
Manufacturers: Forklift, Yale

FORKLIFT

A12180
12v 45a
I/R

Suits: FORKLIFT
(KUBOTA)
Engine: V1502

Dimensions (mm)					
Adj. Hole Diameter	Pivot Hole Diameter	Adj. to Pivot	Leg/Foot Length	Pulley Diameter	Number of Grooves
6	10	135	24	63	1-V

A12180
ALT, 12V KUBOTA, FORKL, IG & L
Manufacturers: Forklift,
Kubota

A12184
12v
55a I/R

Suits: TOYOTA FORKLIFT
Engine: -

Dimensions (mm)					
Adj. Hole Diameter	Pivot Hole Diameter	Adj. to Pivot	Leg/Foot Length	Pulley Diameter	Number of Grooves
6	8	155	67	75	1-V

A12184
ALTERNATOR 12v TOYOTA
FORK 55A
Manufacturers: Forklift,
Toyota, Kubota

A12187
12v
40a I/R

Suits: TOYOTA FORKLIFT
Engine: -

Dimensions (mm)					
Adj. Hole Diameter	Pivot Hole Diameter	Adj. to Pivot	Leg/Foot Length	Pulley Diameter	Number of Grooves
6	10	137	22	63	1-V

A12187
ALTERNATOR 12V ND TOY
F/HOIST
Manufacturers: Forklift,
Toyota, Kubota

A12210
24v
20a I/R

Suits: TOYOTA FORKLIFT
Engine: -

Dimensions (mm)					
Adj. Hole Diameter	Pivot Hole Diameter	Adj. to Pivot	Leg/Foot Length	Pulley Diameter	Number of Grooves
6	8	155	68	76	1-V

A12210
ALTERNATOR TOYOTA F/LIFT
24V 20a
Manufacturers: Forklift,
Toyota, Kubota

A12243
24v
20a

Suits: KOMATSU FORKLIFT
Engine: NIKKO

Dimensions (mm)					
Adj. Hole Diameter	Pivot Hole Diameter	Adj. to Pivot	Leg/Foot Length	Pulley Diameter	Number of Grooves
6	8	156	82	77	1-V

A12243
ALT KOMATSU 24V 20A WAS
A900N
Manufacturers: Forklift,
Komatsu

A12357
12v
50a I/R

Suits: TOYOTA FORKLIFT
Engine: -

Dimensions (mm)					
Adj. Hole Diameter	Pivot Hole Diameter	Adj. to Pivot	Leg/Foot Length	Pulley Diameter	Number of Grooves
6	10	152	57	88	1-V

A12357
ALTERNATOR 12V ND
FORKLIFT
Manufacturers: Forklift,
Toyota

A13171
12v
50a E/R

Suits: TOYOTA 1979-82
Engine: -

Dimensions (mm)					
Adj. Hole Diameter	Pivot Hole Diameter	Adj. to Pivot	Leg/Foot Length	Pulley Diameter	Number of Grooves
6	10	172	75	68	1-V

A13171
ALT.TOYOTA EXT REG, EXT FAN,
1979-82
Manufacturers: Toyota,
Forklift

A4036
12v
70a I/R

Suits: FORKLIFT
(LUCAS)
Engine: -

Dimensions (mm)					
Adj. Hole Diameter	Pivot Hole Diameter	Adj. to Pivot	Leg/Foot Length	Pulley Diameter	Number of Grooves
8x3	8	169	84	74	1-V

A4036
ALTERNATOR 12V 70A
UNIVERSAL LUCAS TYPE
Manufacturers: Ford, Forklift,
Perkins, Rover


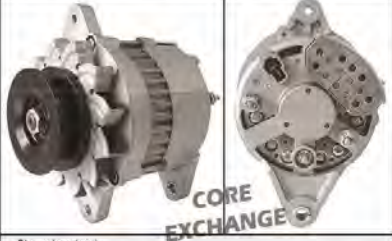
A900
24v 25a
I/R

Suits: YANMAR FORKLIFT
UNIVERSAL
Engine: Hitachi Type

Dimensions (mm)					
Adj. Hole Diameter	Pivot Hole Diameter	Adj. to Pivot	Leg/Foot Length	Pulley Diameter	Number of Grooves
6	8	156	80	72	1-V

A900
ALT, 24V 25A IC REG L & R
Manufacturers: Yanmar,
Forklift, Kubota

FORKLIFT

A900N 24v 20a		Suits: KOMATSU FORKLIFT	
		Engine: NIKKO	
			
CORE EXCHANGE			
Dimensions (mm)			
Adj. Hole Diameter	Pivot Hole Diameter	Adj. to Pivot	Leg/Foot Length
6	8	156	82
Pulley Diameter	Number of Grooves		
77	1-V		

A900N
USE A12243
Manufacturers: Forklift,
Komatsu

A901 12v 35a I/R		Suits: FORKLIFT (HITACHI)	
		Engine: Various	
			
Dimensions (mm)			
Adj. Hole Diameter	Pivot Hole Diameter	Adj. to Pivot	Leg/Foot Length
6	8	156	80
Pulley Diameter	Number of Grooves		
72	1-V		

A901
ALT, I/R 12V 35A RPL HITACHI
Manufacturers: Hitachi,
Forklift, Yanmar

S16207GR 12v 1.0kw G/R		Suits: NISSAN FORKLIFT 1975-	
		Engine: DIL	
			
Dimensions (mm)			
Pinion Offset	Mt. Holes Cnt. to Cnt.	Spigot Diameter	Pinion At Rest
no	108	70	19
		Pinion Diameter	Teeth: 9
		29	

S16207GR
STARTER SUIT NISSAN 9TH G/R
Manufacturers: Forklift, Nissan

S16210 12v 1.2kw PMGR		Suits: NISSAN BLUEBIRD	
		Engine: CA18, CA20	
			
Dimensions (mm)			
Pinion Offset	Mt. Holes Cnt. to Cnt.	Spigot Diameter	Pinion At Rest
no	110	82	8
		Pinion Diameter	Teeth: 9
		29	
Note: No Thread in Mt. Holes			

S16210
STR 1.2KW PMGR NISSAN
9TH NO THREAD
Manufacturers: Nissan, Forklift

S16211 12v 1.4kw PMGR		Suits: NISSAN 210 series 1971-82	
		Engine: A12, A15	
			
Dimensions (mm)			
Pinion Offset	Mt. Holes Cnt. to Cnt.	Spigot Diameter	Pinion At Rest
no	105	70	12
		Pinion Diameter	Teeth: 9
		28	

S16211
STR. NISSAN 210SERIES
1971-82 8TH A12
Manufacturers: Nissan, Forklift

S16223 12v 1.2kw P/E		Suits: KOMATSU	
		Engine: P40	
			
Dimensions (mm)			
Pinion Offset	Mt. Holes Cnt. to Cnt.	Spigot Diameter	Pinion At Rest
no	105	82	32
		Pinion Diameter	Teeth: 9
		29	

S16223
STARTER 12V P/E KOMATSU
P40
Manufacturers: Komats,
Toyota, Forklift

S16791 12v 1.6kw G/R		Suits: TOYOTA FORKLIFT	
		Engine: 2F, 4Y, 5R	
			
Dimensions (mm)			
Pinion Offset	Mt. Holes Cnt. to Cnt.	Spigot Diameter	Pinion At Rest
no	115	74	21.5
		Pinion Diameter	Teeth: 9
		29	

S16791
STARTER ND GR FORKHOIST 4Y
Manufacturers: Forklift,
Toyota

S16793 12v 0.9kw D/D		Suits: MITSUBISHI FORKLIFT	
		Engine: 4G53	
			
Dimensions (mm)			
Pinion Offset	Mt. Holes Cnt. to Cnt.	Spigot Diameter	Pinion At Rest
no	105	77	20.5
		Pinion Diameter	Teeth: 8
		29	

S16793
STARTER CLARK FORKLIFT
Manufacturers: Forklift,
Mitsubishi

S16794 12v 1.2kw PMGR		Suits: NISSAN FORKLIFT	
		Engine: H20	
			
Dimensions (mm)			
Pinion Offset	Mt. Holes Cnt. to Cnt.	Spigot Diameter	Pinion At Rest
yes	109	82	7
		Pinion Diameter	Teeth: 8
		28	

S16794
STARTER NISSAN H20, H15 8TH
Manufacturers: Nissan, Forklift

FORKLIFT

S16795GR CW		Suits: HYSTER FORKLIFT	
12v 1.4kw		Engine: MAZDA ENGINE	
G/R			
			
Dimensions (mm)		Teeth: 11	
Pinion Offset:	Mt. Holes Cnt. to Cnt.	Spigot Diameter	Pinion Diameter
n/a	105	74	34
			Pinion At Rest
			20

S16795GR
STARTER DENSO G/R SUIT
FORKLIFT
Manufacturers: Forklift, Hyster

S16798 CW		Suits: NISSAN & YALE FORKLIFTS	
12v 0.8kw		Engine: D5	
D/D			
			
Dimensions (mm)		Teeth: 8	
Pinion Offset:	Mt. Holes Cnt. to Cnt.	Spigot Diameter	Pinion Diameter
no	104.5	74	28
			Pinion At Rest
			20

S16798
STARTER YALE FORKLIFT
8TH D/D
Manufacturers: Forklift, Yale,
Nissan

S16939 CW		Suits: HYUNDAI	
12v 1.2kw		Engine: 4G61, 4G63, 4G64	
PMGR			
			
Dimensions (mm)		Teeth: 8	
Pinion Offset:	Mt. Holes Cnt. to Cnt.	Spigot Diameter	Pinion Diameter
no	105	77	28
			Pinion At Rest
			18

S16939
STARTER, HYUNDAI, MITSU
PMGR
Manufacturers: Mitsubishi,
Forklift, Hyundai

S17081 CW		Suits: MITSUBISHI EQUIPMENT 1986-93	
12v 2.0kw		Engine: -	
G/R WET			
			
Dimensions (mm)		Teeth: 11	
Pinion Offset:	Mt. Holes Cnt. to Cnt.	Spigot Diameter	Pinion Diameter
yes	105	82	42
			Pinion At Rest
			22

S17081
STARTER 12V 11TH MITSU G/R
WET
Manufacturers: Mitsubishi,
Forklift

S17096 CW		Suits: CLARK FORKLIFT	
12v 2.2kw		Engine: K3D, K4D, K4E, 325D	
G/R			
			
Dimensions (mm)		Teeth: 13	
Pinion Offset:	Mt. Holes Cnt. to Cnt.	Spigot Diameter	Pinion Diameter
no	118	77	40
			Pinion At Rest
			28

S17096
STARTER 12V MITSUBISHI
INDUSTRIAL
Manufacturers: Forklift,
Mitsubishi

S17097 CW		Suits: KOMATSU, MITSUBISHI FORKLIFTS	
12v 1.6kw		Engine: L2E, L2A	
OSGR			
			
Dimensions (mm)		Note: Both Mt. Holes Threaded	
		Teeth: 15	
Pinion Offset:	Mt. Holes Cnt. to Cnt.	Spigot Diameter	Pinion Diameter
yes	104	77	45
			Pinion At Rest
			17

S17097
SUIT KOMATSU FORKLIFT
Manufacturers: Forklift,
Komatsu, Mitsubishi

S17100 CW		Suits: PERKINS	
12v 1.6kw		Engine: -	
G/R			
			
Dimensions (mm)		Teeth: 10	
Pinion Offset:	Mt. Holes Cnt. to Cnt.	Spigot Diameter	Pinion Diameter
no	127	89	40
			Pinion At Rest
			21

S17100
STARTER N.D G/R 10TH
PERKINS/HYSTER
Manufacturers: Perkins, Hyster,
Forklift

S17177 CW		Suits: MITSU FORKLIFT	
12v 10th		Engine:	
			
Dimensions (mm)		Teeth: 10	
Pinion Offset:	Mt. Holes Cnt. to Cnt.	Spigot Diameter	Pinion Diameter
	106	77	31
			Pinion At Rest
			19

S17177
STARTER MITSU FORKLIFT
10TH PMGR
Manufacturers: Doosan,
Mitsubishi, Forklift

S17278 CW		Suits: KOMATSU FORKLIFT	
12v		Engine: TOYOTA 2FGL, 3FG	
D/D			
			
Dimensions (mm)		Teeth: 9	
Pinion Offset:	Mt. Holes Cnt. to Cnt.	Spigot Diameter	Pinion Diameter
no	105	82	29
			Pinion At Rest
			32

S17278
STARTER ND 12V toyota
engine
Manufacturer: Forklift

FORKLIFT

S17392		CW	Suits: DAEWOO
12v 2.0kw		Engine: 1.3L, 2.0L	
G/R			
			
Dimensions (mm)		Teeth: 10	
Pinion Offset: no	Mt. Holes Cnt. to Cnt.: 127	Spigot Diameter: 89	Pinion Diameter: 40
			Pinion At Rest: 18

S17392
STR 12V 10TH CAT &
DAEWOO LIFT
Manufacturers: Forklift,
Daewoo, Caterpillar

S17425		CW	Suits: NISSAN BLUEBIRD, NAVARA, VANETTE
12v 1.2kw		Engine: Z20	
PMGR			
			
Dimensions (mm)		Teeth: 9	
Pinion Offset: no	Mt. Holes Cnt. to Cnt.: 110	Spigot Diameter: 82	Pinion Diameter: 29
			Pinion At Rest: 7

S17425
STR.NISSAN 2.4L Z PLANETRY
Manufacturers: Nissan, Forklift

S18067		CW	Suits: FORKLIFT
12v 2.0kw		Engine: C201	
G/R			
			
Dimensions (mm)		Teeth: 9	
Pinion Offset: no	Mt. Holes Cnt. to Cnt.: 120	Spigot Diameter: 95	Pinion Diameter: 32
			Pinion At Rest: 20

S18067
STARTER 12V 2KW G/R
ISUZU 2.2DI
Manufacturers: Isuzu, Forklift

S18164P		CW	Suits: CATERPILLAR, KOBELCO 1995-
24v 5.5kw		Engine: MITSUBISHI	
Planetary			
			
Dimensions (mm)		Teeth: 13	
Pinion Offset: yes	Mt. Holes Cnt. to Cnt.: 104/104/144	Spigot Diameter: 100	Pinion Diameter: 47.5
			Pinion At Rest: 23

S18164P
STR 24V MITSI 3 HOLE 5.5
PLANETRY
Manufacturers: Forklift,
Kobelco, Mitsubishi, Caterpillar

S18171		CW	Suits: HYSTER, YALE, PERKINS
12v 2.7kw		Engine:	
			
Dimensions (mm)		Teeth: 13	
Pinion Offset: NO	Mt. Holes Cnt. to Cnt.: 105 x 105 x 145	Spigot Diameter: 87	Pinion Diameter: 50
			Pinion At Rest: 35

S18171
STARTER 12V 2.2KW YALE
13TH
Manufacturers: Yale, Forklift,
Hyster, Perkins

S18173		CW	Suits: YALE, SUMITOMO FORKLIFT
12v 2.2kw		Engine: ZB, DB	
G/R			
			
Dimensions (mm)		Teeth: 13	
Pinion Offset: yes	Mt. Holes Cnt. to Cnt.: 105/105/145	Spigot Diameter: 100	Pinion Diameter: 50
			Pinion At Rest: 32

S18173
YALE FORKLIFT MITSI ENGINE
12VOLT
Manufacturers: Forklift, Yale

S18198		CW	Suits: HYSTER FORKLIFT
12v 2.0kw		Engine: GM 4.3L V6	
G/R			
			
Dimensions (mm)		Teeth: 10	
Pinion Offset: no	Mt. Holes Cnt. to Cnt.: 127	Spigot Diameter: 89	Pinion Diameter: 41
			Pinion At Rest: 47

S18198
STR (WET)G/R SUIT HYSTER
FORKLIFT
Manufacturers: Forklift, Hyster

S18246		CW	Suits: CATERPILLAR
24v 5kw		Engine: MITSUBISHI S6E, S6S	
PLGR			
			
Dimensions (mm)		Teeth: 10	
Pinion Offset: no	Mt. Holes Cnt. to Cnt.: 115/105/105	Spigot Diameter: 82	Pinion Diameter: 39
			Pinion At Rest: 22

S18246
STARTER 24V 10TH
CATAPILLAR WET
Manufacturers: Forklift,
Mitsubishi, Caterpillar

S18973		CW	Suits: NISSAN
12v 1.2kw		Engine:	
			
Dimensions (mm)		Teeth: 9	
Pinion Offset:	Mt. Holes Cnt. to Cnt.: 108	Spigot Diameter: 83	Pinion Diameter: 29
			Pinion At Rest: 19

S18973
STR 12V SUIT NISSAN F/LIFT
Manufacturers: Nissan, Forklift

FORKLIFT

S19719		CW		Suits: MITSUBISHI	
12V 2.8KW		Engine: S4S, S6S			
					
Dimensions (mm)		Teeth: 10			
Pinion Offset: NO	Mt. Holes Cnt. to Cnt. 114	Spigot Diameter 82	Pinion Diameter 38	Pinion At Rest 24	

S19719
STARTER S4S/ S6S 12V
2.8KW 10TH G/R
Manufacturers: Mitsubishi,
Forklift

S2216		CW		Suits: AUDI	
12v 2.0kw PMGR		Engine: DIESEL			
					
Dimensions (mm)		Teeth: 9			
Pinion Offset: no	Mt. Holes Cnt. to Cnt. 102	Spigot Diameter 82	Pinion Diameter 25	Pinion At Rest 15	

S2216
AUDI 1.9L DIESEL STARTER -
EUROLIFT LINDE
Manufacturers: Forklift, Audi

S358		CW		Suits: CROWN FORKLIFT (NIPPONDENSO)	
12v 1.0kw G/R		Engine: -			
					
Dimensions (mm)		Teeth: 8			
Pinion Offset: yes	Mt. Holes Cnt. to Cnt. 103	Spigot Diameter 67	Pinion Diameter 28	Pinion At Rest 13	

S358
STARTER ND GR SUIT CROWN
F/LIFT
Manufacturer: Forklift

S4328		CW		Suits: VARIOUS (NIPPONDENSO)	
12v 2kw G/R		Engine: -			
					
Dimensions (mm)		Teeth: 9			
Pinion Offset: no	Mt. Holes Cnt. to Cnt. 127	Spigot Diameter 88	Pinion Diameter 29	Pinion At Rest 46	

S4328
STARTER 12V ND RPL DELCO
9TH 29MM
Manufacturer: Forklift

S6034		CW		Suits: MITSUBISHI FORKLIFT	
12v 2.0kw G/R		Engine: S4S, 4DQ			
					
Dimensions (mm)		Teeth: 10			
Pinion Offset: yes	Mt. Holes Cnt. to Cnt. 115	Spigot Diameter 82	Pinion Diameter 39	Pinion At Rest 22	

S6034
STARTER 12V G/R S4S 4DQ
2KW
Manufacturers: Forklift,
Mitsubishi

S6034HD		CW		Suits: MITSUBISHI FORKLIFT (HEAVY DUTY)	
12v 2.2 kw PLGR		Engine: S4S, 4DQ			
					
Dimensions (mm)		Teeth: 10			
Pinion Offset: no	Mt. Holes Cnt. to Cnt. 115	Spigot Diameter 82.5	Pinion Diameter 38	Pinion At Rest 24	

S6034HD
STARTER MITSU S4S 12V PLGR
TYPE H/D
Manufacturers: Mitsubishi,
Forklift

S6144		CW		Suits: MITSUBISHI FORKLIFT, FD25, FD30, FD35 (see S6048 for 12v)	
24v 3.2kw G/R		Engine: S4E			
					
Dimensions (mm)		Teeth: 11			
Pinion Offset: yes	Mt. Holes Cnt. to Cnt. 105	Spigot Diameter 82	Pinion Diameter 42	Pinion At Rest 22	

S6144
STARTER 24V G/R SUIT MIT
Manufacturers: Forklift,
Mitsubishi

S6182		CW		Suits: MITSUBISHI FORKLIFT	
24v 5.0kw G/R		Engine: S6E, 4DQ			
					
Dimensions (mm)		Teeth: 10			
Pinion Offset: yes	Mt. Holes Cnt. to Cnt. 104	Spigot Diameter 82	Pinion Diameter 39	Pinion At Rest 22	

S6182
STARTER 24V 5.0KW S6E 4DQ
Manufacturers: Forklift,
Mitsubishi, Caterpillar

S6471		CW		Suits: YALE FORKLIFT	
12v 2.7kw G/R		Engine: HA, XA			
					
Dimensions (mm)		Teeth: 13			
Pinion Offset: no	Mt. Holes Cnt. to Cnt. 145/105/104	Spigot Diameter 100	Pinion Diameter 50	Pinion At Rest 32	

S6471
STR YALE FORK 12V 14TH CW
Manufacturers: Forklift, Yale

FORKLIFT

S6570		CW		Suits: JOHN DEERE, CLARK	
12v 2.5kw G/R		Engine: 3179, 4039, 4219, 4276			
					
Dimensions (mm)		Teeth: 10			
Pinion Offset:	Mt. Holes Cnt. to Cnt.	Spigot Diameter	Pinion Diameter	Pinion At Rest	
no	105	82.5	32	45.5	


S6570
28MT 12V 2.5KW 10TH SUIT
JOHN DEERE
Manufacturers: John Deere,
Delco, Bobcat, Forklift

S7067		CW		Suits: CLARK FORKLIFT (DRY CLUTCH)	
12v 2.5kw G/R		Engine: -			
					
Dimensions (mm)		Teeth: 10			
Pinion Offset:	Mt. Holes Cnt. to Cnt.	Spigot Diameter	Pinion Diameter	Pinion At Rest	
no	90/90/127	89	32	45.5	

S7067
STARTER 12V 10TH40MM
28MT(DRY)
Manufacturer: Forklift

S8610		CW		Suits: HALLA FORKLIFT	
24v G/R		Engine: FORKLIFT			
					
Dimensions (mm)		Teeth: 9			
Pinion Offset:	Mt. Holes Cnt. to Cnt.	Spigot Diameter	Pinion Diameter	Pinion At Rest	
no	95/114/144	100	95	30	

S8610
STARTER 24V G/R HALLA
FORKLIFT
Manufacturer: Forklift

S9048		CW		Suits: ISUZU KOMATSU FORKLIFT	
12v 2.5kw G/R		Engine: -			
					
Dimensions (mm)		Teeth: 11			
Pinion Offset:	Mt. Holes Cnt. to Cnt.	Spigot Diameter	Pinion Diameter	Pinion At Rest	
yes	120	95	38	22	

S9048
STARTER 12V G/R ISUZU H/D
Manufacturers: Forklift, Isuzu,
Komatsu

S9057		CW		Suits: TOYOTA FORKLIFTS DA11, FD100, FD150	
24v 4.5kw G/R		Engine: 4 CYL, 2D DIESEL			
					
Dimensions (mm)		Teeth: 11			
Pinion Offset:	Mt. Holes Cnt. to Cnt.	Spigot Diameter	Pinion Diameter	Pinion At Rest	
no	134/111/110	105	40	54.5	

S9057
STR N/D 24V 4.5KW SUIT D
SERIES
Manufacturers: Forklift, Toyota

S9064		CW		Suits: TOYOTA FORKLIFT	
12v 2.5kw G/R		Engine: ID2, 2J			
					
Dimensions (mm)		Teeth: 11			
Pinion Offset:	Mt. Holes Cnt. to Cnt.	Spigot Diameter	Pinion Diameter	Pinion At Rest	
yes	113	90	40	16	

S9064
STARTER 12V 11TH TOYOTA
FORK WET!
Manufacturers: Forklift,
Toyota

S988NGR		CW		Suits: NISSAN	
12v 2.0kw G/R		Engine: SD22, SD25			
					
Dimensions (mm)		Teeth: 9			
Pinion Offset:	Mt. Holes Cnt. to Cnt.	Spigot Diameter	Pinion Diameter	Pinion At Rest	
no	110	82	35	11	

S988NGR
STR DENSO G/R SUIT SD22-25
FORKLIFT
Manufacturers: Nissan, Forklift

HINO

02012220510 Suits: HINO COACH TRUCK
24V 80AMP
Engine:

Dimensions (mm)						Note: -
Adj. Hole Diameter	Pivot Hole Diameter	Adj. to Pivot	Leg/Foot Length	Pulley Diameter	Number of Grooves	
11	14	235	85	92		2-V

02012220510
ALT 24V 80A SAWAFUJI 3PIN
J08C HINO
Manufacturer: Hino

A1312 Suits: SAWAFUJI
24v 40AMP
Engine:

Dimensions (mm)						Note: -
Adj. Hole Diameter	Pivot Hole Diameter	Adj. to Pivot	Leg/Foot Length	Pulley Diameter	Number of Grooves	
10	8	n/a	80x2	98		2-V

A1312
ALT 24V 40A SAWAFUJI EX
REG PAD MNT
Manufacturer: Hino

A1314 Suits: HINO BUS
24v 130a
E/R
Engine: -

Dimensions (mm)						Note: -
Adj. Hole Diameter	Pivot Hole Diameter	Adj. to Pivot	Leg/Foot Length	Pulley Diameter	Number of Grooves	
10	n/a	248	110/80	94		2-V

A1314
ALTERNATOR HINOBUS 24V
130A ER
Manufacturer: Hino

A1315 Suits: HINO BUS
24v
150a E/R
Engine: -

Dimensions (mm)						Note: Pad Mount
Adj. Hole Diameter	Pivot Hole Diameter	Adj. to Pivot	Leg/Foot Length	Pulley Diameter	Number of Grooves	
10	n/a	n/a	99/61	80		2-V

A1315
ALTERNATOR HINO BUS
24V 150A
Manufacturer: Hino

A1401 Suits: HINO BUS
24v
25a I/R
Engine: -

Dimensions (mm)						Note: Vac Pump
Adj. Hole Diameter	Pivot Hole Diameter	Adj. to Pivot	Leg/Foot Length	Pulley Diameter	Number of Grooves	
6	10	172	98	82		1-V

A1401
ALTERNATOR 24V 25A HINO
VAC PMP
Manufacturer: Hino

A4025 Suits: HINO BUSES & COACHES
24v
35a I/R
Engine: H06C, H06CT, H07C

Dimensions (mm)						Note: -
Adj. Hole Diameter	Pivot Hole Diameter	Adj. to Pivot	Leg/Foot Length	Pulley Diameter	Number of Grooves	
8	14	222	96	92		2-V

A4025
ALT 24V35A LRG VAC BUS P.S.
Manufacturers: Nissan, Hino

A4026 Suits: SAWAFUJI
24V 40AMP
Engine:

Dimensions (mm)						Note: -
Adj. Hole Diameter	Pivot Hole Diameter	Adj. to Pivot	Leg/Foot Length	Pulley Diameter	Number of Grooves	
9	14	221	96	92		2-V

A4026
GEN SAWAFUJI ALT 24V 40A
LGE PUMP
Manufacturer: Hino

A5070 Suits: NISSAN
24v
55a I/R
Engine:

Dimensions (mm)						Note: -
Adj. Hole Diameter	Pivot Hole Diameter	Adj. to Pivot	Leg/Foot Length	Pulley Diameter	Number of Grooves	
8	12	221.5	85.5	84		2-V

A5070
ALT 24V 55AMP IC NISSAN
TRUCK FE6
Manufacturers: Nissan, Hino

A5071 Suits: HINO
24v
40a I/R
Engine: ED100, EH100

Dimensions (mm)						Note: -
Adj. Hole Diameter	Pivot Hole Diameter	Adj. to Pivot	Leg/Foot Length	Pulley Diameter	Number of Grooves	
8	14	216	86	92		2-V

A5071
ALT 24V A/M 55AMP
SUIT HINO
Manufacturer: Hino

HINO

A5072 24v 30a I/R		Suits: HINO (BRUSHLESS) Engine: Various			
					
CORE EXCHANGE					
Dimensions (mm)					
Adj. Hole Diameter	Pivot Hole Diameter	Adj. to Pivot	Leg/Foot Length	Pulley Diameter	Number of Grooves
10.5	14	218	42	92	1-V

A5072
ALTERNATOR 24V 30A HINO
SNGL LEG
Manufacturer: Hino

A5074 24v 50a I/R		Suits: HINO SAWAFUJI Engine:-			
					
Dimensions (mm)					
Adj. Hole Diameter	Pivot Hole Diameter	Adj. to Pivot	Leg/Foot Length	Pulley Diameter	Number of Grooves
8	14	220	86	82	2-V

A5074
ALT, SAWAFUJI 24V 50A HINO
Manufacturer: Hino

A5076 24v 35a I/R		Suits: HINO Engine: JO			
					
CORE EXCHANGE					
Dimensions (mm)					
Adj. Hole Diameter	Pivot Hole Diameter	Adj. to Pivot	Leg/Foot Length	Pulley Diameter	Number of Grooves
8.5	14	170.5	71	80	1-V

A5076
ALTERNATOR HINO JO 1995-
Manufacturer: Hino

A5095 24V 35AMP		Suits: HINO Engine:			
					
Dimensions (mm)					
Adj. Hole Diameter	Pivot Hole Diameter	Adj. to Pivot	Leg/Foot Length	Pulley Diameter	Number of Grooves
12	14	220	98	80	2-v

A5095
ALT.24V35A HINO I/R
1PM.98LGS
Manufacturer: Hino

A877 24v 50a I/R		Suits: HINO DUTRO Engine:			
					
Dimensions (mm)					
Adj. Hole Diameter	Pivot Hole Diameter	Adj. to Pivot	Leg/Foot Length	Pulley Diameter	Number of Grooves
M8	10	170	58	76	2-V

A877
ALT DENSO D/P 24V 50A
HINO DUTRO
Manufacturer: Hino

S1472 24v 7.0kw G/R		Suits: HINO Engine: EF550, EF750, DK100, K130, F17, F20			
					
Dimensions (mm)					
Pinion Offset	Mt. Holes Cnt. to Cnt.	Spigot Diameter	Pinion Diameter	Pinion At Rest	Teeth: 11
no	178/164/120	122	47	42	

S1472
STR 24V SUIT HINO
Manufacturer: Hino

S1472N 24v 6.0kw		Suits: HINO Engine: EF550, EF750, EK100, K130, F17, F20, K13, K13C			
					
Dimensions (mm)					
Pinion Offset	Mt. Holes Cnt. to Cnt.	Spigot Diameter	Pinion Diameter	Pinion At Rest	Teeth: 11
no	178/164/120	122	47	42	

S1472N
STR HINO NSENSO 24V
6.0KW 11TH
Manufacturer: Hino

S1473 24v 6.0kw PLGR		Suits: HINO Engine: E13C			
					
Dimensions (mm)					
Pinion Offset	Mt. Holes Cnt. to Cnt.	Spigot Diameter	Pinion Diameter	Pinion At Rest	Teeth: 11
n/a	155/146/95	122	47	49	

S1473
STARTER HINO K SERIES 24V
6KW AM
Manufacturer: Hino

S1502 24v 6.0kw G/R		Suits: HINO Engine: EK100, EK200, EP100			
					
Dimensions (mm)					
Pinion Offset	Mt. Holes Cnt. to Cnt.	Spigot Diameter	Pinion Diameter	Pinion At Rest	Teeth: 11
no	178/165/119	121	47	42	

S1502
STARTER 24V 7KW SAWAFUJI
Manufacturer: Hino

HINO

S1503 CW Suits: HINO	
24v 6.0kw G/R Engine: EK100, EK200, EM100, EP100	
	
Dimensions (mm) Note: NIPPONDENSO Teeth: 11	
Pinion Offset: no	Mt. Holes Cnt. to Cnt. 178/165/120
Spigot Diameter 122	Pinion Diameter 47
	Pinion At Rest 42

S1503
STR 24V DENSO 6KW HINO
Manufacturer: Hino

S82076 CW Suits: HINO (SAWAFUJI TYPE)	
24v 5.5kw G/R Engine: EC100, EH700, H06C, H07C	
	
Dimensions (mm) Teeth: 11	
Pinion Offset: no	Mt. Holes Cnt. to Cnt. 141/121/106
Spigot Diameter 100	Pinion Diameter 40
	Pinion At Rest 28

S82076
STR HINO SAWAFUJI 24V G/R
Manufacturer: Hino

S89045 CW Suits: HINO	
24v 4.5kw G/R Engine: JO SERIES JO 505C, 505D	
	
Dimensions (mm) Teeth: 11	
Pinion Offset: n/a	Mt. Holes Cnt. to Cnt. 143
Spigot Diameter 105	Pinion Diameter 40
	Pinion At Rest 30

S89045
STARTER HINO 24V JO
NOSELESS
Manufacturer: Hino

S89047 Suits: HINO	
24v 4.5kw Engine: J05, S05	
	
Dimensions (mm) TOP HOLE THREADED Teeth: 11	
Pinion Offset: yes	Mt. Holes Cnt. to Cnt. 195
Spigot Diameter 105	Pinion Diameter 40
	Pinion At Rest 30

S89047
STR 24V 4.5KW SUIT HINO
S05C,S05D "99-
Manufacturer: Hino

S9020 CW Suits: HINO	
24v 4.5kw G/R Engine: DK10, DK20, DS50, DS70	
	
Dimensions (mm) Teeth: 13	
Pinion Offset: no	Mt. Holes Cnt. to Cnt. 133/133/103
Spigot Diameter 100	Pinion Diameter 46
	Pinion At Rest 35

S9020
STARTER 24V 13TH HINO
DK10 EB100 EB200 DS50
Manufacturer: Hino

S9045 CW Suits: HINO	
24v 4.5kw G/R Engine: JO SERIES	
	
Dimensions (mm) Note: Top Mt. Hole Threaded Teeth: 11	
Pinion Offset: no	Mt. Holes Cnt. to Cnt. 139
Spigot Diameter 105	Pinion Diameter 40
	Pinion At Rest 30

S9045
STARTER NDENSO 24V SUIT
HINO JO SERIES
Manufacturer: Hino

S9065 CW Suits: TOYOTA DYNA	
12v 2.5kw G/R Engine: 6.9T 1W DIESEL	
	
Dimensions (mm) Note: Top Mt. Hole Threaded Teeth: 11	
Pinion Offset: n/a	Mt. Holes Cnt. to Cnt. 152
Spigot Diameter 105	Pinion Diameter 40
	Pinion At Rest 34.5

S9065
STARTER 12V DENSO SUIT 1W
Manufacturers: Toyota, Hino

S9067 CW Suits: HINO P-FD16, P-FD17	
24v 4.5kw G/R Engine: EC100, EH700	
	
Dimensions (mm) Teeth: 11	
Pinion Offset: no	Mt. Holes Cnt. to Cnt. 141/120/106
Spigot Diameter 100	Pinion Diameter 40
	Pinion At Rest 28

S9067
STR DENSO 24V 11TH HINO
3BLT
Manufacturer: Hino

S9067L CW Suits: HINO (BATTERY POST LEFT)	
24v 4.5kw G/R Engine: H06C, H07C, H07D (Late Model)	
	
Dimensions (mm) Teeth: 11	
Pinion Offset: no	Mt. Holes Cnt. to Cnt. 141/120/106
Spigot Diameter 100	Pinion Diameter 40
	Pinion At Rest 28

S9067L
STARTER DENSO 24V SUIT
H07C HINO
Manufacturer: Hino

HINO



S9068

STR 24V N/D 11TH HINO
2HOLE
Manufacturer: Hino



S9070

STR DENSO 24V G/R SUIT
1W 11TH
Manufacturer: Hino



S9104

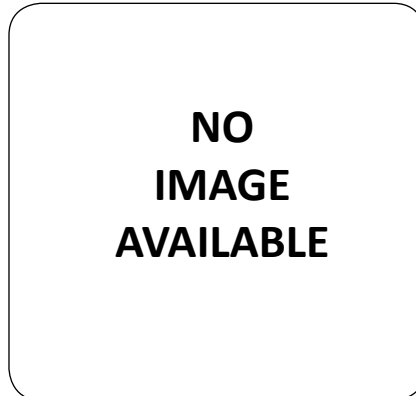
STR DENSO 5.5KW H/DUTY
SUIT HINO
Manufacturer: Hino

INTERNATIONAL



A12490

ALT BOSCH 12V 160AMP,D+,W
Manufacturers: Kenworth, Mack,
Volvo, Caterpillar, Cummins,
International, John Deere,
Massey Ferguson, Volvo Penta,
Bosch



A2510JN

ALT.INTERNATIONAL TRUCK
Manufacturer: International



LRS172

STARTER 12V LUCAS SUIT
INT/CASE
Manufacturer: International

ISUZU

0-24000-0088 CW Suits: ISUZU INDUSTRIAL
24v 5.5kw Engine: NIKKO, 4HK1

Dimensions (mm)			Teeth: 13		
Pinion Offset: yes	Mt. Holes Cnt. to Cnt. 59/89/114	Spigot Diameter 90	Pinion Diameter 46	Pinion At Rest 15	

0-24000-0088
STR NIKKO 24V 5.5KW 13TH
O/SET ISUZU 4HK1
Manufacturer: Isuzu

0-33000-5650 Suits: ISUZU
12V 60A Engine: 4BD1

Dimensions					Note: -
Adj. Hole Diameter 6	Pivot Hole Diameter 9	Adj. to Pivot 170	Leg/Foot Length 77	Pulley Diameter 77	Number of Grooves 1-V

0-33000-5650
ALTERNATOR 12V NIKKO
ALT 12OCLOCK
Manufacturer: Isuzu

0-33000-5660 Suits: ISEKI, ISUZU
12v 60AMP Engine: 6BB1 6BD1

Dimensions (mm)					Note: -
Adj. Hole Diameter 9	Pivot Hole Diameter 11	Adj. to Pivot 193	Leg/Foot Length 69	Pulley Diameter 89	Number of Grooves 2v

0-33000-5660
ALTERNATOR 12V ISEKI
TRACTOR
Manufacturers: Isuzu, Iseki

100211-2681 Suits: ISUZU FORWARD
24v Engine: 6BD1T, 6GM1
40a I/R

Dimensions (mm)					
Adj. Hole Diameter 12	Pivot Hole Diameter 14	Adj. to Pivot 190	Leg/Foot Length 70	Pulley Diameter 82	Number of Grooves 2-V

100211-2681
ALT SUIT ISUZU 24V 40A
6BDIT, 6GM1
Manufacturer: Isuzu

A1200N Suits: KOMATSU
24v Engine: 4BD1
25a I/R

Dimensions (mm)					
Adj. Hole Diameter 6	Pivot Hole Diameter 8	Adj. to Pivot 172	Leg/Foot Length 80	Pulley Diameter 83	Number of Grooves 1-V

A1200N
ALTERNATOR NIKKO 24V
30A 4BD1T
Manufacturers: Komatsu,
Isuzu

A12251M Suits: KOMATSU
24v 40AMP Engine:

Dimensions (mm)					
Adj. Hole Diameter 6	Pivot Hole Diameter 11	Adj. to Pivot 164	Leg/Foot Length 69	Pulley Diameter 85	Number of Grooves 9

A12251M
ALTERNATOR 24V 40A 9
RIB KOMATSU
Manufacturers: Komatsu,
Isuzu

A12258 Suits: ISUZU TRUCKS
24v Engine: 6HE1, 6BD1 etc
40a I/R

Dimensions (mm)					
Adj. Hole Diameter 12	Pivot Hole Diameter 14	Adj. to Pivot 226	Leg/Foot Length 70	Pulley Diameter 82	Number of Grooves 2-V

A12258
ALTERNATOR 24V 40A
B\LESS NIKKO
Manufacturers: Isuzu, Komatsu

A1225880 Suits: ISUZU (SPECIAL)
24v Engine:-
80a I/R

Dimensions (mm)					
Adj. Hole Diameter 12	Pivot Hole Diameter 14	Adj. to Pivot 227	Leg/Foot Length 70	Pulley Diameter 80	Number of Grooves 2-V

A1225880
ALTERNATOR NIKKO 24V 80A
ISUZU (SPECIAL)
Manufacturer: Isuzu

A12258M Suits: ISUZU TRUCKS (MITSUBISHI TYPE)
24v Engine: 6HE1, 6BD1 etc
50a I/R



Dimensions (mm)					
Adj. Hole Diameter 12	Pivot Hole Diameter 14	Adj. to Pivot 226	Leg/Foot Length 70	Pulley Diameter 82	Number of Grooves 2-V

A12258M
ALTERNATOR 24V 50A SUIT
ISUZU
Manufacturers: Isuzu,
Komatsu


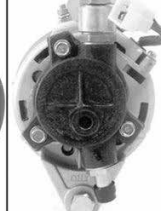
ISUZU

A12263 24v 30AMP		Suits: ISUZU Engine: 6SA1				
						
Dimensions (mm)						Note: -
Adj. Hole Diameter	Pivot Hole Diameter	Adj. to Pivot	Leg/Foot Length	Pulley Diameter	Number of Grooves	
12	14	191	69	82	2-v	

A12263
ALTERNATOR 24V 35A NIKKO,
ISUZU
Manufacturers: Isuzu, Komatsu

A12266 24v 25a I/R		Suits: ISUZU Engine: 6BD1 6BB1				
						
Dimensions (mm)						Note: -
Adj. Hole Diameter	Pivot Hole Diameter	Adj. to Pivot	Leg/Foot Length	Pulley Diameter	Number of Grooves	
12	15	189	69	82	2-v	



A12266
ALT 24V 25A NIKKO SUIT 6BD1
& 6BB1
Manufacturers: Isuzu, Komatsu

A12331 24v 25a E/R		Suits: ISUZU Engine: -				
						
Dimensions (mm)						Note: -
Adj. Hole Diameter	Pivot Hole Diameter	Adj. to Pivot	Leg/Foot Length	Pulley Diameter	Number of Grooves	
8	10	155	101	82	1-V	

A12331
ALT ISUZU 24V 25A VAC ER/EF
Manufacturer: Isuzu

A12360 24v 30a I/R		Suits: ISUZU EXCAVATOR Engine: -				
						
Dimensions (mm)						Note: -
Adj. Hole Diameter	Pivot Hole Diameter	Adj. to Pivot	Leg/Foot Length	Pulley Diameter	Number of Grooves	
13	14	191	70	83	2-V	


A12360
ALT REP NIKKO HITACHI
EXCAVATOR 24V
Manufacturers: Hitachi, Isuzu,
Komatsu

A13521 12v 60a I/R		Suits: ISUZU TROOPER 1992-94 Engine: -				
						
Dimensions (mm)						Note: -
Adj. Hole Diameter	Pivot Hole Diameter	Adj. to Pivot	Leg/Foot Length	Pulley Diameter	Number of Grooves	
6	10	164	58	50	4	



A13521
ALT.ISUZU TROOPER 1992-94
Manufacturer: Isuzu

A13564 12v 60a I/R		Suits: HONDA Engine: 3.2L				
						
Dimensions (mm)						Note: -
Adj. Hole Diameter	Pivot Hole Diameter	Adj. to Pivot	Leg/Foot Length	Pulley Diameter	Number of Grooves	
6	10	165	59	50	4	

A13564
ALT.HONDA PASSPORT, ISUZU,
RODEO
Manufacturers: Isuzu, Honda

A13935 12v 90a I/R		Suits: HONDA ISUZU Engine: V6 3.2L				
						
Dimensions (mm)						Note: -
Adj. Hole Diameter	Pivot Hole Diameter	Adj. to Pivot	Leg/Foot Length	Pulley Diameter	Number of Grooves	
6	10	162	58	58	6	

A13935
ALTERNATOR SUIT HONDA/
ISUZU 3.2
Manufacturers: Isuzu, Honda

A14732 12v 55a I/R		Suits: ISUZU GEMINI Engine: 1300, 1800, 2000				
						
Dimensions (mm)						Note: -
Adj. Hole Diameter	Pivot Hole Diameter	Adj. to Pivot	Leg/Foot Length	Pulley Diameter	Number of Grooves	
6	10	162	58	56	5	

A14732
ALT.ISUZU GEO 1985-89 D-IG-L
Manufacturer: Isuzu

A14960 12v 60a I/R		Suits: HOLDEN RODEO ISUZU TROOPER Engine: 4JA1, 4ZD1, 4ZE1, TF				
						
Dimensions (mm)						Note: -
Adj. Hole Diameter	Pivot Hole Diameter	Adj. to Pivot	Leg/Foot Length	Pulley Diameter	Number of Grooves	
6	10	154	76	64	1-V	

A14960
ALT.HONDA ISUZU 1991-95
Manufacturers: Isuzu, Holden,
GM

ISUZU

A20095
12v
80a I/R

Suits: ISUZU/HOLDEN
RODEO
Engine:

Dimensions					Note: -
Adj. Hole Diameter	Pivot Hole Diameter	Adj. to Pivot	Leg/Foot Length	Pulley Diameter	Number of Grooves
7	10	170	81	82	1V

A20095
ALT 12V HITACHI V/PUMP
ISUZU/HOLDEN
Manufacturers: Holden, Isuzu

A20212
12v 90A

Suits: ISUZU D-MAX
Engine:

Dimensions					Note: -
Adj. Hole Diameter	Pivot Hole Diameter	Adj. to Pivot	Leg/Foot Length	Pulley Diameter	Number of Grooves
6	10	158	80	57	7

A20212
ALTERNATOR ISUZU D-MAX
90A NEW
Manufacturer: Isuzu

A5770
24v
30a I/R

Suits: ISUZU
Engine: 4BD1, 6BD1

Dimensions (mm)					
Adj. Hole Diameter	Pivot Hole Diameter	Adj. to Pivot	Leg/Foot Length	Pulley Diameter	Number of Grooves
12	14	191	70	82	2-V

A5770
ALTERNATOR NIKKO 24V 40A
ISUZU I/R
Manufacturer: Isuzu

A5770V
24v
40a I/R

Suits: ISUZU
Engine: DESIEL D4D

Dimensions (mm)					
Adj. Hole Diameter	Pivot Hole Diameter	Adj. to Pivot	Leg/Foot Length	Pulley Diameter	Number of Grooves
12	14	190	69	83	2-v

A5770V
ALT 24V 40A V/PUMP, RPL
NIKKO
Manufacturer: Isuzu

A70767
12v
70a I/R

Suits: ISUZU WIZARD
Engine: -

Dimensions (mm)					
Adj. Hole Diameter	Pivot Hole Diameter	Adj. to Pivot	Leg/Foot Length	Pulley Diameter	Number of Grooves
6	10	160	80	62	2-V

A70767
ALT ISUZU 12V 70A IF/IF LIGHT
/SENSE 4JX1
Manufacturer: Isuzu

A801
12v 80a
I/R

Suits: ISUZU, BIGHORN,
IRMSCHER, ELF, MU
Engine: 4JG2,

Dimensions (mm)					
Adj. Hole Diameter	Pivot Hole Diameter	Adj. to Pivot	Leg/Foot Length	Pulley Diameter	Number of Grooves
6	10	170	85.5	82	1-V

Note: Replace Relay CR-011, 50cc Vac Pump

A801
ALTERNATOR 12V 80A VAC
ISUZU
Manufacturers: Isuzu, Holden

A850
12v 50AMP

Suits: ISUZU BIGHORN TROOPER
Engine: 4JA1 4JB1

Dimensions (mm)					
Adj. Hole Diameter	Pivot Hole Diameter	Adj. to Pivot	Leg/Foot Length	Pulley Diameter	Number of Grooves
M8	10	168	80	82	1-v

A850
ALT. ISUZU 12V VAC 30CC PMP
Manufacturer: Isuzu

A851
12v 60a
I/R

Suits: ISUZU, BIGHORN,
IRMSCHER, TROOPER
Engine: 4FD1, 4FC1, 4FB1

Dimensions (mm)					
Adj. Hole Diameter	Pivot Hole Diameter	Adj. to Pivot	Leg/Foot Length	Pulley Diameter	Number of Grooves
6	10	166	89	82	1-V

Note: Charge Relay CR-011, 50cc Vac Pump

A851
ALTERNATOR ISUZU 12V
60A 50CC
Manufacturer: Isuzu

A85100
12v
70a I/R

Suits: ISUZU UNIVERSAL
(30cc Vac Pump)
Engine: -

Dimensions (mm)					
Adj. Hole Diameter	Pivot Hole Diameter	Adj. to Pivot	Leg/Foot Length	Pulley Diameter	Number of Grooves
6	10	174	100	82	1-V

Note: Plug config Green - light, Blue - sense, White - relay

A85100
ALT 12V ISUZU 100MM LEG
UNI VAC
Manufacturer: Isuzu

ISUZU

A852 24v 50a I/R				Suits: ISUZU 4HG1, 4HF1 Engine: -	
					
Dimensions (mm) Note: 50cc Vac Pump @ 11 o'clock					
Adj. Hole Diameter	Pivot Hole Diameter	Adj. to Pivot	Leg/Foot Length	Pulley Diameter	Number of Grooves
8	10	172	80	82	3-V

A852
ALT. 24V ISUZU 50CC 11 OCL 3 PULLEY
Manufacturer: Isuzu

A8524 24v 25a I/R				Suits: COMMON ISUZU Engine: Various	
					
Dimensions (mm)					
Adj. Hole Diameter	Pivot Hole Diameter	Adj. to Pivot	Leg/Foot Length	Pulley Diameter	Number of Grooves
6.5	10	170	81	82	1-V

A8524
ALT 24V VAC SUIT ISUZU 50CC 11 OCLOCK
Manufacturer: Isuzu

A853 12v 50a				Suits: ISUZU (Change charge relay part #CR-011) Engine: 4FC1, 4FD1, 4FG1	
					
Dimensions (mm) Note: Threaded, 30cc Vac Pump 11 o'clock Adj.					
Adj. Hole Diameter	Pivot Hole Diameter	Adj. to Pivot	Leg/Foot Length	Pulley Diameter	Number of Grooves
6	m8/10	171	80	80	1-V

A853
ALTERNATOR 12V ISUZU VAC 11CLK (80MM LEG
Manufacturer: Isuzu

A854 24v 40a I/R				Suits: COMMON ISUZU Engine: Various	
					
Dimensions (mm) Note: 30cc Vac Pump					
Adj. Hole Diameter	Pivot Hole Diameter	Adj. to Pivot	Leg/Foot Length	Pulley Diameter	Number of Grooves
8	10	173	81	82.5	2-V

A854
ALTERNATOR 24V 30CC ISUZU 12OCLOCK
Manufacturer: Isuzu

A855 24v 50a I/R				Suits: ISUZU Engine: Common	
					
Dimensions (mm) Note: 50cc Vac Pump					
Adj. Hole Diameter	Pivot Hole Diameter	Adj. to Pivot	Leg/Foot Length	Pulley Diameter	Number of Grooves
6	10	175	81	82	1-V

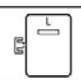


A855
ALTERNATOR 24V 50CC VAC ISUZU
Manufacturer: Isuzu

A856 24v 40a I/R				Suits: COMMON ISUZU Engine: Various	
					
Dimensions (mm) Note: Top Mt. Hole is Plain					
Adj. Hole Diameter	Pivot Hole Diameter	Adj. to Pivot	Leg/Foot Length	Pulley Diameter	Number of Grooves
8	10	173.5	81	82	1-V

A856
ALTERNATOR ISUZU 24V VAC 4BD1
Manufacturer: Isuzu

A857 12v 25AMP				Suits: ISUZU Engine: 3.6L DSL	
					
Dimensions (mm) Note: -					
Adj. Hole Diameter	Pivot Hole Diameter	Adj. to Pivot	Leg/Foot Length	Pulley Diameter	Number of Grooves
M8	10	172	81	83	1-V

A857
Replace with A8524
Manufacturer: Isuzu

A858 24v 50a I/R				Suits: ISUZU, NPS, NPR Engine: 4HG1, 4HF1	
					
Dimensions (mm) Note: Single Wire					
Adj. Hole Diameter	Pivot Hole Diameter	Adj. to Pivot	Leg/Foot Length	Pulley Diameter	Number of Grooves
8	10	175	80	82	3-V

A858
ALTERNATOR 24V 80A ISUZU 1 WIRE
Manufacturer: Isuzu

A860 24v 40a I/R				Suits: ISUZU Engine: -	
					
Dimensions (mm) Note: 50cc Vac Pump					
Adj. Hole Diameter	Pivot Hole Diameter	Adj. to Pivot	Leg/Foot Length	Pulley Diameter	Number of Grooves
8	10	183	80	85	2-V

A860
ALTERNATOR 24V VAC 50CC ISUZU
Manufacturer: Isuzu

ISUZU

A870		Suits: ISUZU	
12v 70a I/R		Engine: -	
			
Note: 12 o'clock - 50cc Vac Pump			
Dimensions (mm)		Teeth: 9	
Adj. Hole Diameter	Pivot Hole Diameter	Adj. to Pivot	Leg/Foot Length
6	10	175	80
Pulley Diameter		Number of Grooves	
82		2-V	

A870
ALTERNATOR 12V 70A ISUZU
12OCLK 50CC
Manufacturer: Isuzu

S13-557		Suits: ISUZU	
12v 1.4kw PMGR		Engine: 4J	
			
Dimensions (mm)		Teeth: 9	
Pinion Offset:	Mt. Holes Cnt. to Cnt.	Spigot Diameter	Pinion Diameter
no	120	95	35
Pinion At Rest		10	

S13-557
STARTER G/R LATE 4J ISUZU
HOLDEN 12V
Manufacturer: Isuzu

S16270		Suits: ISUZU	
12v 1.0kw		Engine: 1800cc	
			
Dimensions (mm)		Teeth: 9	
Pinion Offset:	Mt. Holes Cnt. to Cnt.	Spigot Diameter	Pinion Diameter
no	127	89	29
Pinion At Rest		21	

S16270
STR.CHEVY LUV OPEL
ISUZU1976-84
Manufacturer: Isuzu

S16739		Suits: ISUZU, ISEKI	
12v 2.0kw G/R Nippondenso		Engine: C190, C223, C240, 4FC1, 4LE1	
			
Dimensions (mm)		Teeth: 9	
Pinion Offset:	Mt. Holes Cnt. to Cnt.	Spigot Diameter	Pinion Diameter
no	120	95	32
Pinion At Rest		20	

S16739
STARTER 2KW 9TH 32MM N/D
Manufacturer: Isuzu

S16740		Suits: ISUZU	
12v 2.0kw G/R		Engine: 4FG1	
			
Dimensions (mm)		Teeth: 9	
Pinion Offset:	Mt. Holes Cnt. to Cnt.	Spigot Diameter	Pinion Diameter
no	127	89	29
Pinion At Rest		22	

S16740
STR.HITACHI G/R ISUZU 9TH
29MM
Manufacturer: Isuzu

S16878		Suits: ISUZU	
12v 1.2kw G/R		Engine: PETROL 4ZC1, 4ZC1T, 4ZE1	
			
Dimensions (mm)		Teeth: 9	
Pinion Offset:	Mt. Holes Cnt. to Cnt.	Spigot Diameter	Pinion Diameter
no	127	89	29
Pinion At Rest		23	

S16878
STR G/R SUIT ISUZU 9TH
29MM
Manufacturer: Isuzu

S17044		Suits: ISUZU (NIPPONDENSO)	
12v 2.0kw G/R		Engine: 4JX1, 4JA1, 4JB1, 4JG2	
			
Dimensions (mm)		Teeth: 9	
Pinion Offset:	Mt. Holes Cnt. to Cnt.	Spigot Diameter	Pinion Diameter
no	120	95	32
Pinion At Rest		11	

S17044
STARTER DENSO G/R 4JB1
ISUZU
Manufacturer: Isuzu

S17079		Suits: ISUZU	
12v 1.4kw G/R		Engine: 3KC1, 3KR1	
			
Dimensions (mm)		Teeth: 9	
Pinion Offset:	Mt. Holes Cnt. to Cnt.	Spigot Diameter	Pinion Diameter
no	110	80	29
Pinion At Rest		22	

S17079
STARTER ISUZU 3KC1 G/R 9TH
29MM
Manufacturer: Isuzu

S17303		Suits: ISUZU	
12v 2.2kw G/R		Engine: 4JX1, 4JA1, 4JB-4JG	
			
Dimensions (mm)		Teeth: 9	
Pinion Offset:	Mt. Holes Cnt. to Cnt.	Spigot Diameter	Pinion Diameter
no	120	95	32
Pinion At Rest		10	

S17303
STARTER ISUZU 2.2KW
4JB-4JG
Manufacturer: Isuzu

ISUZU

S17381		CW	Suits: ISUZU	
12v 1.4kw G/R		Engine: 3AB		
				
Dimensions		Teeth: 9		
Pinion Offset:	Mt. Holes Cnt. to Cnt.	Spigot Diameter	Pinion Diameter	Pinion At Rest
no	120	95	32	20

S17381
IZUZU 3AB,3LD, STR 9TH 32MM
Manufacturer: Isuzu

S17546		CW	Suits: ISUZU RODEO 1992-00	
12v 1.4kw G/R		Engine: 6VD1 3.2L V6		
				
Dimensions (mm)		Teeth: 9		
Pinion Offset:	Mt. Holes Cnt. to Cnt.	Spigot Diameter	Pinion Diameter	Pinion At Rest
no	82	n/a	29	n/a

S17546
STARTER ISUZU 3.2L V6
92-2000
Manufacturer: Isuzu

S17601		CW	Suits: ISUZU SNOWMOBILE	
12v D/D		Engine: VARIOUS		
				
Dimensions (mm)		Teeth: 9		
Pinion Offset:	Mt. Holes Cnt. to Cnt.	Spigot Diameter	Pinion Diameter	Pinion At Rest
no	91	68	31	29

S17601
STR ND 12V 9TH
Manufacturers: Isuzu, Small engines

S18056		CW	Suits: ISUZU	
12v 1.0kw D/D		Engine: 3KC1		
				
Dimensions (mm)		Teeth: 8		
Pinion Offset:	Mt. Holes Cnt. to Cnt.	Spigot Diameter	Pinion Diameter	Pinion At Rest
no	110	80	28	20

S18056
STARTER 12V D/D SUIT
ISUZU 3KC1
Manufacturer: Isuzu

S18067		CW	Suits: FORKLIFT	
12v 2.0kw G/R		Engine: C201		
				
Dimensions (mm)		Teeth: 9		
Pinion Offset:	Mt. Holes Cnt. to Cnt.	Spigot Diameter	Pinion Diameter	Pinion At Rest
no	120	95	32	20

S18067
STARTER 12V 2KW G/R
ISUZU 2.2DI
Manufacturers: Isuzu, Forklift

S18100		CW	Suits: ISUZU (NIKKO TYPE)	
24v 4.5kw G/R		Engine: 6BD1, 6BG1		
				
Dimensions (mm)		Teeth: 11		
Pinion Offset:	Mt. Holes Cnt. to Cnt.	Spigot Diameter	Pinion Diameter	Pinion At Rest
n/a	111/111/135	105	40	39

S18100
STARTER NIKKO SUIT 6BD1
ISUZU 'EXCHANGE'
Manufacturer: Isuzu

S18194		CW	Suits: ISUZU INDUSTRIAL	
24v 4.5kw G/R Nikko		Engine: 4 CYL DIESEL		
				
Dimensions (mm)		Note: Also S9080		Teeth: 9
Pinion Offset:	Mt. Holes Cnt. to Cnt.	Spigot Diameter	Pinion Diameter	Pinion At Rest
no	120	95	35	17

S18194
STARTER SUIT ISUZU INDUS-
TRIAL 24V SC\$200
Manufacturer: Isuzu

S18296		CW	Suits: ISUZU	
12v 2.0kw G/R		Engine: 4JA1, 4JB1, 4JG2, 4JX1		
				
Dimensions (mm)		Teeth: 9		
Pinion Offset:	Mt. Holes Cnt. to Cnt.	Spigot Diameter	Pinion Diameter	Pinion At Rest
no	120	95	32	11

S18296
STARTER 4JB1 etc. G/R ISUZU
Manufacturer: Isuzu

S18299		CW	Suits: ISUZU	
12v 2.2kw G/R		Engine: 4 CYL DIESEL		
				
Dimensions (mm)		Teeth: 9		
Pinion Offset:	Mt. Holes Cnt. to Cnt.	Spigot Diameter	Pinion Diameter	Pinion At Rest
no	120	95	32	20

S18299
STARTER HITACHI 12V OSGR
9TH ISUZU
Manufacturer: Isuzu

ISUZU

S1839 CCW		Suits: ISUZU APPLICATIONS		
24v 4.0kw 11th		Engine: 4BE1, 4HF1, 4HJ1, 4HE1		
				
Dimensions (mm)		Teeth: 11		
Pinion Offset:	Mt. Holes Cnt. to Cnt.	Spigot Diameter	Pinion Diameter	Pinion At Rest
N/A	170	94	40	45

S1839
STARTER 24V 11TH CCW 4BE-4HJ1,4HF1,4HK1
Manufacturer: Isuzu

S18491 CW		Suits: YANMAR 1992-98		
12v G/R		Engine: 4TNE94, SE50		
				
Dimensions (mm)		Teeth: 9		
Pinion Offset:	Mt. Holes Cnt. to Cnt.	Spigot Diameter	Pinion Diameter	Pinion At Rest
no	120	95	35	20

S18491
STARTER 12V 3KW, YANMAR/ISUZU 9TH G/R
Manufacturers: Yanmar, Isuzu

S210-108 CW		Suits: ISUZU		
24v 11kw G/R		Engine: E120, 6RA1, 6RB1		
				
Dimensions (mm)		Teeth: 11		
Pinion Offset:	Mt. Holes Cnt. to Cnt.	Spigot Diameter	Pinion Diameter	Pinion At Rest
no	157/137/169	122	47	48

S210-108
STARTER 24V E120 11KW HITACHI
Manufacturer: Isuzu

S30678 CCW		Suits: ISUZU		
12v 2.0kw G/R Nippondenso		Engine: 1.8L, 2.0L DIESEL		
				
Dimensions (mm)		Teeth: 11		
Pinion Offset:	Mt. Holes Cnt. to Cnt.	Spigot Diameter	Pinion Diameter	Pinion At Rest
no	120	75	34	39

S30678
STARTER 12V CCW ISUZU/ROVER 11TH
Manufacturers: Rover, Isuzu

S385 CW		Suits: ISUZU (NIPPONDENSO)		
12v 1.0kw G/R		Engine: 3 CYLINDER		
				
Dimensions (mm)		Teeth: 9		
Pinion Offset:	Mt. Holes Cnt. to Cnt.	Spigot Diameter	Pinion Diameter	Pinion At Rest
yes	108	80	29	23

S385
STARTER DENSO REP S114-385
Manufacturer: Isuzu

S429 CW		Suits: ISUZU		
12v 1.0kw G/R		Engine: 3KR-1		
				
Dimensions (mm)		Teeth: 9		
Pinion Offset:	Mt. Holes Cnt. to Cnt.	Spigot Diameter	Pinion Diameter	Pinion At Rest
no	110	80	29	21

S429
STARTER 12V N/D G/R RPL HIT S114-429
Manufacturer: Isuzu

S5006 CCW		Suits: ISUZU		
12v 2.0kw G/R		Engine: 2.0 DIESEL		
				
Dimensions (mm)		Teeth: 11		
Pinion Offset:	Mt. Holes Cnt. to Cnt.	Spigot Diameter	Pinion Diameter	Pinion At Rest
no	120	75	34	39

S5006
STARTER 12V CCW ISUZU/ROVER 11TH
Manufacturer: Isuzu

S6000 CW		Suits: ISUZU		
12V 2.0kw 9th		Engine: C240, C190 4LE1, 4FC1, LFE1		
				
Dimensions (mm)		Teeth: 9		
Pinion Offset:	Mt. Holes Cnt. to Cnt.	Spigot Diameter	Pinion Diameter	Pinion At Rest
N/A	119	95	32	20

S6000
STARTER 12V HIT G/R ISUZU 9TH32MM
Manufacturer: Isuzu

S6071 CW		Suits: ISUZU		
24v 7.5kw		Engine: V10		
				
Dimensions (mm)		Teeth: 12		
Pinion Offset:	Mt. Holes Cnt. to Cnt.	Spigot Diameter	Pinion Diameter	Pinion At Rest
no	168/115/141	104	45	28

S6071
STARTER NIKKO ISUZU V10 7.5KW
Manufacturer: Isuzu

ISUZU

S6102		CW	Suits: ISUZU	
24v 3.5kw		Engine: 4JB1		
G/R				
				
Dimensions (mm)		Teeth: 9		
Pinion Offset:	Mt. Holes Cnt. to Cnt.	Spigot Diameter	Pinion Diameter	Pinion At Rest
no	120	95	32	20

S6102
STARTER 24V REP S24-07
Manufacturer: Isuzu

S6103		CW	Suits: ISUZU	
24v 3.5kw		Engine: 4BA1, 4BB1, 4BC1, 4BC2, 4BD1, 4BE1, 4BG1		
G/R				
				
Dimensions (mm)		Teeth: 9		
Pinion Offset:	Mt. Holes Cnt. to Cnt.	Spigot Diameter	Pinion Diameter	Pinion At Rest
no	120	95	35	20

S6103
STR HITACHI 24V 9TH
G/R ISUZU
Manufacturer: Isuzu

S80871		CW	Suits: ISUZU	
24v 7.0kw		Engine: 10PE1		
PMGR				
				
Dimensions (mm)		Teeth: 12		
Pinion Offset:	Mt. Holes Cnt. to Cnt.	Spigot Diameter	Pinion Diameter	Pinion At Rest
n/a	167/140/114	105	44	29

S80871
STR 7KW SUIT ISUZU 61L 8P
9E1 10PE1 12PE1
Manufacturer: Isuzu

S9000		CW	Suits: ISUZU TRUCKS	
24v 5.5kw		Engine: 6WG, 6WA, 6WF		
				
Dimensions (mm)		Teeth: 11		
Pinion Offset:	Mt. Holes Cnt. to Cnt.	Spigot Diameter	Pinion Diameter	Pinion At Rest
no	167/147/109	105	47	41

S9000
STARTER ND 6WG,6WA,
ISUZU,24V
Manufacturer: Isuzu

S9000M		CW	Suits: ISUZU	
27v 7.0kw		Engine: 6WG1, 6WA1		
PLGR				
				
Dimensions (mm)		Teeth: 11		
Pinion Offset:	Mt. Holes Cnt. to Cnt.	Spigot Diameter	Pinion Diameter	Pinion At Rest
no	168/109/147	105	47	41

S9000M
STARTER SUIT ISUZU 6WA1
7KW MITSU
Manufacturer: Isuzu

S9001		CW	Suits: ISUZU	
24v 4.5kw		Engine: 6H, 6HE1		
G/R				
				
Dimensions (mm)		Teeth: 11		
Pinion Offset:	Mt. Holes Cnt. to Cnt.	Spigot Diameter	Pinion Diameter	Pinion At Rest
no	150	105	40	43

S9001
STR 24V G/R ISUZU 6HE1
Manufacturer: Isuzu

S9006		CW	Suits: ISUZU	
24v 4.5kw		Engine: 6HH1		
G/R				
				
Dimensions (mm)		Teeth: 11		
Pinion Offset:	Mt. Holes Cnt. to Cnt.	Spigot Diameter	Pinion Diameter	Pinion At Rest
yes	162.5	95	40	45

S9006
STARTER 24V G/R ISUZU
6HH1-6HK1
Manufacturer: Isuzu

S9011		CW	Suits: ISUZU	
24v 4.5kw		Engine: 6SA, 6SD, 6HH1		
G/R				
				
Dimensions (mm)		Teeth: 11		
Pinion Offset:	Mt. Holes Cnt. to Cnt.	Spigot Diameter	Pinion Diameter	Pinion At Rest
no	174	105	40	57

S9011
STR 6SD1 ISUZU 24V 4.5KW
Manufacturer: Isuzu

S9048		CW	Suits: ISUZU KOMATSU FORKLIFT	
12v 2.5kw		Engine: -		
G/R				
				
Dimensions (mm)		Teeth: 11		
Pinion Offset:	Mt. Holes Cnt. to Cnt.	Spigot Diameter	Pinion Diameter	Pinion At Rest
yes	120	95	38	22

S9048
STARTER 12V G/R ISUZU H/D
Manufacturers: Forklift, Isuzu,
Komatsu

ISUZU

S9055 CW		Suits: ISEKI 1984-	
12v 2.5kw		Engine: 4B01 4B01	
G/R			
			
Dimensions (mm)		Teeth: 11	
Pinion Offset:	Mt. Holes Cnt. to Cnt.	Spigot Diameter	Pinion Diameter
no	134/111/110	105	40
			Pinion At Rest
			40

S9055
STR 12V G/R ISEKI/ISUZU/
DOOSAN 11TH
Manufacturers: Iseki, Doosan,
Isuzu

S9056 CW		Suits: ISUZU	
24v 5.5kw		Engine: 6BD1, 6BG1	
G/R			
			
Dimensions (mm)		Teeth: 11	
Pinion Offset:	Mt. Holes Cnt. to Cnt.	Spigot Diameter	Pinion Diameter
no	110x110x135	104	40
			Pinion At Rest
			40

S9056
STARTER 24V ISUZU G/R
5.5KW
Manufacturer: Isuzu

S9060 CW		Suits: ISUZU FSR, JBR, JCR, SBR, SCR	
24v 4.5kw		Engine: 6BF1, 6BG1, 6BB1, 6BD1	
G/R			
			
Dimensions (mm)		Teeth: 11	
Pinion Offset:	Mt. Holes Cnt. to Cnt.	Spigot Diameter	Pinion Diameter
no	134/111/110	105	40
			Pinion At Rest
			41

S9060
STARTER 24V SUIT 6 CYL ISUZU
Manufacturer: Isuzu

S9063 CW		Suits: ISUZU (NIPPONDENSU)	
24v 4.5kw		Engine: 6BB1, 6BD1	
G/R			
			
Dimensions (mm)		Teeth: 11	
Pinion Offset:	Mt. Holes Cnt. to Cnt.	Spigot Diameter	Pinion Diameter
no	110/110/135	104	40
			Pinion At Rest
			40

S9063
STARTER 24V 11TH G/R
ISUZU 4.5KW
Manufacturer: Isuzu

S9079 CW		Suits: ISUZU TRUCKS (Replace S24-03) Hitachi Type	
24v 4.5kw		Engine: 4BC1, 4BC2, 4BB1	
G/R			
			
Dimensions (mm)		Note: Heavy Duty	
Pinion Offset:	Mt. Holes Cnt. to Cnt.	Spigot Diameter	Pinion Diameter
yes	120	95	40
			Pinion At Rest
			20

S9079
STR 24V G/R SUIT ISUZU
Manufacturer: Isuzu

S9080 CW		Suits: ISUZU DIGGERS	
24v 4.5kw		Engine: 4BB1, 4BA1, 4BD1T, 4BC1, 4BC2	
G/R			
			
Dimensions (mm)		Note: Heavy Duty	
Pinion Offset:	Mt. Holes Cnt. to Cnt.	Spigot Diameter	Pinion Diameter
yes	120	95	40
			Pinion At Rest
			23

S9080
STR N/D SUIT ISUZU 24V H/D
Manufacturer: Isuzu

S9220 CW		Suits: ISUZU	
24v 7.0kw		Engine: 6WA1, 6WG1	
G/R			
			
Dimensions (mm)		Teeth: 11	
Pinion Offset:	Mt. Holes Cnt. to Cnt.	Spigot Diameter	Pinion Diameter
no	109/144/167	104	47
			Pinion At Rest
			44

S9220
STARTER 7KW GR SUIT
6WA1 ISUZU
Manufacturer: Isuzu



S9492 CW		Suits: ISUZU	
12v 3.0kw		Engine: 6BD1	
G/R			
			
Dimensions (mm)		Teeth: 11	
Pinion Offset:	Mt. Holes Cnt. to Cnt.	Spigot Diameter	Pinion Diameter
no	135/111/111	105	40
			Pinion At Rest
			41

S9492
ND 12V 3.0KW ISUZU
6BD1 11TH
Manufacturer: Isuzu


SE120 CW		Suits: ISUZU	
24v 6.5kw		Engine: 6RA1, E120, 6RB1	
G/R			
			
Dimensions (mm)		Teeth: 11	
Pinion Offset:	Mt. Holes Cnt. to Cnt.	Spigot Diameter	Pinion Diameter
no	157/137/169	122	47
			Pinion At Rest
			47.5

SE120
STR SUIT E120 6RB1 ISUZU
7.4KW 11TH NIKKO
Manufacturer: Isuzu

JOHN DEERE

A12131		B+	D+	W	Suits: JOHN DEERE	
12v		○	○	○	Engine: -	
110a I/R						
						
Dimensions (mm)						
Adj. Hole Diameter	Pivot Hole Diameter	Adj. to Pivot	Leg/Foot Length	Pulley Diameter	Number of Grooves	
10	12	198	101	n/a	n/a	

A12131
REPLACE WITH A12490 OR A1001
Manufacturers: John Deere, Bosch

A12188		Suits: JOHN DEERE, YANMAR		
12v		Engine: -		
40a I/R				
				
Dimensions (mm)				
Adj. Hole Diameter	Pivot Hole Diameter	Adj. to Pivot	Leg/Foot Length	Pulley Diameter
6	10	150	21	69
Number of Grooves: 1V				


A12188
ALT 12V 40AMP
Manufacturers: John Deere, Yanmar

A12356		P	IG	L	Suits: JOHN DEERE	
12v		Engine: -				
40a I/R						
						
Dimensions (mm)						
Adj. Hole Diameter	Pivot Hole Diameter	Adj. to Pivot	Leg/Foot Length	Pulley Diameter	Number of Grooves	
7	10	156	21	69	1-V	

A12356
ALTERNATOR 40A P.I.G.L
YANMAR
Manufacturers: Yanmar, Kubota, John Deere

A12490		B+	D+	W	Suits: USA DIESEL	
12v		○	○	○	Engine: -	
160a						
						
Dimensions (mm)						
Adj. Hole Diameter	Pivot Hole Diameter	Adj. to Pivot	Leg/Foot Length	Pulley Diameter	Number of Grooves	
10	12	198	101	NIL	NIL	

A12490
ALT BOSCH 12V 160AMP,D+,W
Manufacturers: Kenworth, Mack, Volvo, Caterpillar, Cummins, International, John Deere, Massey Ferguson, Volvo Penta, Bosch

A12683		B+	D+	W	Suits: JOHN DEERE	
12v		○	○	○	Engine: -	
120a I/R						
						
Dimensions (mm)						
Adj. Hole Diameter	Pivot Hole Diameter	Adj. to Pivot	Leg/Foot Length	Pulley Diameter	Number of Grooves	
8	8	166	56	n/a	n/a	

A12683
ALTERNATOR 12V 120A
JOHN DEERE
Manufacturer: John Deere

A13710		B+	D+	W	Suits: MERCEDES CL500	
12v		○	○	○	1998 on	
143a I/R		Engine: 5.0L				
						
Dimensions (mm)						
Adj. Hole Diameter	Pivot Hole Diameter	Adj. to Pivot	Leg/Foot Length	Pulley Diameter	Number of Grooves	
10	10	156	56	60	6/8	

A13710
ALT,12v148A MERC(6 RIB)
J DEERE (8 RIB)
Manufacturers: Mercedes Benz, John Deere

S1052		CCW	Suits: JOHN DEERE, KOHLER		
12v		Engine: 10HP - 16HP			
PMDD					
					
Dimensions (mm)					Teeth: 9
Body Length	Pinion Offset	Mt. Holes Cnt. to Cnt.	Spigot Diameter	Pinion Diameter	Pinion At Rest
147	n/a	67	n/a	32	39

S1052
STR KOHLER 10HP-16HP
Manufacturers: John Deere, Kohler, Small engines

S1053		CCW	Suits: JOHN DEERE, KOHLER		
12v		Engine: 10HP-16HP			
PMDD					
					
Dimensions (mm)					Teeth: 10
Body Length	Pinion Offset	Mt. Holes Cnt. to Cnt.	Spigot Diameter	Pinion Diameter	Pinion At Rest
148	n/a	67	n/a	32	38

S1053
STR KOHLER 10-16HP
Manufacturers: John Deere, Kohler, Small engines

S1055		CCW	Suits: JOHN DEERE, KOHLER		
12v		Engine: 18HP - 23HP			
PMDD					
					
Dimensions (mm)					Teeth: 9
Body Length	Pinion Offset	Mt. Holes Cnt. to Cnt.	Spigot Diameter	Pinion Diameter	Pinion At Rest
212	yes	88.5/63/53	70	36	52

S1055
STR KOHLER 18-23HP
Manufacturers: John Deere, Kohler, Small engines

JOHN DEERE

S17382		CW	Suits: JOHN DEERE with YANMAR ENGINE		
12v 1.0kw			Engine: 3T72, 3TNA72		
G/R					
					
CORE EXCHANGE					
Dimensions (mm)		Teeth: 11			
Pinion Offset:	Mt. Holes Cnt. to Cnt.	Spigot Diameter	Pinion Diameter	Pinion At Rest	
no	120	95	34	21	

S17382
STR DENSO G/R 11TH 34MM
YANMAR
Manufacturers: Yanmar, John Deere

S17618		CW	Suits: JOHN DEERE 1990-		
12v 4.0kw			Engine: VARIOUS		
G/R					
					
Dimensions (mm)		Teeth: 10			
Pinion Offset:	Mt. Holes Cnt. to Cnt.	Spigot Diameter	Pinion Diameter	Pinion At Rest	
n/a	90/90/127	88	40	48	


S17618
STR 12V John Deere 12v
4KW D/D
Manufacturers: John Deere, Caterpillar

S17618GR		CW	Suits: JOHN DEERE 1990-		
12v 3.0kw			Engine: VARIOUS		
OSGR					
					
CORE EXCHANGE					
Dimensions (mm)		Teeth: 10			
Pinion Offset:	Mt. Holes Cnt. to Cnt.	Spigot Diameter	Pinion Diameter	Pinion At Rest	
no	90/90/127	89	40	47	

S17618GR
STARTER 12V 4KW ND
J.DEERE & CAT
Manufacturer: John Deere

S18309		CCW	Suits: JOHN DEERE KAWASAKI		
12v 0.4kw			Engine:		
D/D					
					
Dimensions (mm)		Teeth: 9			
Pinion Offset:	Mt. Holes Cnt. to Cnt.	Spigot Diameter	Pinion Diameter	Pinion At Rest	
n/a	89	62	29	27	

S18309
STARTER HIT 9TH CCW
JOHN DEERE
Manufacturers: John Deere, Kawasaki, Small engines

S18350		CCW	Suits: HONDA, JOHN DEERE		
12v 0.6kw			Engine: Honda 11, 13 HP		
PMDD					
					
Dimensions (mm)		Teeth: 14			
Pinion Offset:	Mt. Holes Cnt. to Cnt.	Spigot Diameter	Pinion Diameter	Pinion At Rest	
no	92	n/a	30	9	

S18350
STARTER HONDA 14TH PMDD
Manufacturers: Honda, Small engines, John Deere

S18533		CCW	Suits: JOHN DEERE		
12v			Engine: KAWASAKI 10HP		
D/D					
					
Dimensions (mm)		Teeth: 9			
Pinion Offset:	Mt. Holes Cnt. to Cnt.	Spigot Diameter	Pinion Diameter	Pinion At Rest	
n/a	68	62	27	8	

S18533
STARTER KAWASAKI 10-12HP
Manufacturers: John Deere, Kawasaki

S18978		CW	Suits: JOHN DEERE		
12v 3.0kw			Engine: VARIOUS		
G/R (Wet Clutch)					
					
CORE EXCHANGE					
Dimensions (mm)		Teeth: 11			
Pinion Offset:	Mt. Holes Cnt. to Cnt.	Spigot Diameter	Pinion Diameter	Pinion At Rest	
n/a	90/90/127	89	40	47	

S18978
STR ND G/R 12V 3KW 11TH
WET JOHN DEERE
Manufacturer: John Deere

S5777		CCW	Suits: JOHN DEERE		
12v			Engine: 16 - 18.5hp		
PMDD					
					
Dimensions (mm)		Teeth: 14			
Pinion Offset:	Mt. Holes Cnt. to Cnt.	Spigot Diameter	Pinion Diameter	Pinion At Rest	
no	58	n/a	41	34	

S5777
STARTER BRIGGS - JOHN
DEERE 16-18.5 HP 2000-06
Manufacturers: Small engines, John Deere

S6570		CW	Suits: JOHN DEERE, CLARK		
12v 2.5kw			Engine: 3179, 4039, 4219, 4276		
G/R					
					
Dimensions (mm)		Teeth: 10			
Pinion Offset:	Mt. Holes Cnt. to Cnt.	Spigot Diameter	Pinion Diameter	Pinion At Rest	
no	105	82.5	32	45.5	

S6570
28MT 12V 2.5KW 10TH SUIT
JOHN DEERE
Manufacturers: John Deere, Delco, Bobcat, Forklift

JOHN DEERE

S9019		CW	Suits: JOHN DEERE	
12v 2.5kw G/R			Engine: VARIOUS	
				
Dimensions (mm)		Teeth: 11		
Pinion Offset:	Mt. Holes Cnt. to Cnt.	Spigot Diameter	Pinion Diameter	Pinion At Rest
no	127/90/90	88.5	40	48

S9019
STR 12V 11TH SUIT
JOHN DEERE
Manufacturer: John Deere

S9025		CW	Suits: JOHN DEERE	
12V 2.5KW			Engine:	
				
Dimensions (mm)		Teeth: 10		
Pinion Offset:	Mt. Holes Cnt. to Cnt.	Spigot Diameter	Pinion Diameter	Pinion At Rest
	89x89x127	89	40	48

S9025
STR 12V G/R 10TH REP C.A.V.
Manufacturer: John Deere

S9028		CW	Suits: JOHN DEERE, ZETOR	
12v 2.5kw G/R			Engine: -	
				
Dimensions (mm)		Teeth: 11		
Pinion Offset:	Mt. Holes Cnt. to Cnt.	Spigot Diameter	Pinion Diameter	Pinion At Rest
no	127/90/90	88.5	40	48

S9028
STR 12V 11TH J. DEERE &
ZETOR
Manufacturer: John Deere

S9085		CW	Suits: JOHN DEERE WITH YANMAR ENGINE	
12v 2.5kw G/R			Engine: 3T90	
				
Dimensions (mm)		Teeth: 15		
Pinion Offset:	Mt. Holes Cnt. to Cnt.	Spigot Diameter	Pinion Diameter	Pinion At Rest
no	110/47 x 2	95	45	23.5

S9085
STR 2.5KW 15TH 4BOLT
YANMAR
Manufacturers: Yanmar, John Deere

SM51747		CW	Suits: JOHN DEERE	
			Engine: KOHLER	
				
Dimensions (mm)		Teeth: 11		
Pinion Offset:	Mt. Holes Cnt. to Cnt.	Spigot Diameter	Pinion Diameter	Pinion At Rest
	66		28	

SM51747
STARTER JOHN DEERE W/
KOHLER ENGINE
Manufacturers: John Deere,
Kohler

KOBELCO

S18164P		CW	Suits: CATERPILLAR, KOBELCO		
24v 5.5kw			1995-		
Planetary			Engine: MITSUBISHI		
					
Dimensions (mm)			Teeth: 13		
Pinion Offset:	Mt. Holes Cnt. to Cnt.	Spigot Diameter	Pinion Diameter	Pinion At Rest	
yes	104/104/144	100	47.5	23	

S18164P

STR 24V MITSU 3 HOLE

5.5 PLANETRY

Manufacturers: Forklift, Kobelco, Mitsubishi, Caterpillar

S18219		CW	Suits: YANMAR MARINE & INDUSTRIAL		
12v 1.2kw			Engine: 3JH3, 4JH3		
PMGR					
					
Dimensions (mm)			Teeth: 11		
Pinion Offset:	Mt. Holes Cnt. to Cnt.	Spigot Diameter	Pinion Diameter	Pinion At Rest	
yes	120	95	34	20	

S18219

STARTER HITACHI YANMAR

PMGR - KOBELCO

Manufacturers: Yanmar, Kobelco

S18539		CW	Suits: KOBELCO, MITSU IND		
24v 4.2kw			Engine: 4D33, 4D34, 6D31, 6D34		
					
Dimensions (mm)			Teeth: 11		
Pinion Offset:	Mt. Holes Cnt. to Cnt.	Spigot Diameter	Pinion Diameter	Pinion At Rest	
yes	144	100	40	22	

S18539

STARTER MITSU 24V PLTRY

6D34- KOBELCO

Manufacturers: Kobelco, Mitsubishi

S2062U		CW	Suits: MITSUBISHI FUSO		
24v 6.0kw			Engine: 6D22 6D20 6D22-T		
G/R					
					
Dimensions (mm)			Teeth 13		
Pinion Offset:	Mt. Holes Cnt. to Cnt.	Spigot Diameter	Pinion Diameter	Pinion At Rest	
n/a	148 x 109 x 134	100	56	70	

S2062U

STARTER N DENSO 24V



SUIT 6D22

Manufacturers: Fuso, Mitsubishi, Kobelco

KOMATSU

A1200N 24v 25a I/R		Suits: KOMATSU Engine: 4BD1			
					
Dimensions (mm)					
Adj. Hole Diameter	Pivot Hole Diameter	Adj. to Pivot	Leg/Foot Length	Pulley Diameter	Number of Grooves
6	8	172	80	83	1-V



A1200N
ALTERNATOR NIKKO 24V
30A 4BD1T
Manufacturers: Komatsu,
Isuzu

A12243 24v 20a		Suits: KOMATSU FORKLIFT Engine: NIKKO			
					
Dimensions (mm)					
Adj. Hole Diameter	Pivot Hole Diameter	Adj. to Pivot	Leg/Foot Length	Pulley Diameter	Number of Grooves
6	8	156	82	77	1-V

A12243
ALT KOMATSU 24V 20A
WAS A900N
Manufacturers: Forklift,
Komatsu

A12249		Suits: - Engine: -			
					
Dimensions (mm)					
Adj. Hole Diameter	Pivot Hole Diameter	Adj. to Pivot	Leg/Foot Length	Pulley Diameter	Number of Grooves
13	16	186	68.5	94	2-V


A12249
NIKKO ALTERNATOR SEALED
24V 20A
Manufacturer: Komatsu

A12251 24v 25a I/R		Suits: KOMATSU PC300 Engine: 6D108			
					
Dimensions (mm)					
Adj. Hole Diameter	Pivot Hole Diameter	Adj. to Pivot	Leg/Foot Length	Pulley Diameter	Number of Grooves
10	15	165	71	95	1-V


A12251
ALTERNATOR 24V 25A EF/IR
KOMATSU
Manufacturer: Komatsu

A12251D 24v 30a I/R		Suits: KOMATSU Engine: 4D95L, 4D105, 6D95L, 6D125 etc			
					
Dimensions (mm)					
Adj. Hole Diameter	Pivot Hole Diameter	Adj. to Pivot	Leg/Foot Length	Pulley Diameter	Number of Grooves
10	14	168	70	-	2-V

A12251D
ALTERNATOR KOMATSU
DOUBLE PULLEY
Manufacturer: Komatsu

A12251M 24v 40AMP		Suits: KOMATSU Engine: -			
					
Dimensions (mm)					
Adj. Hole Diameter	Pivot Hole Diameter	Adj. to Pivot	Leg/Foot Length	Pulley Diameter	Number of Grooves
6	11	164	69	85	9



A12251M
ALTERNATOR 24V 40A 9
RIB KOMATSU
Manufacturers: Komatsu,
Isuzu

A12258 24v 40a I/R		Suits: ISUZU TRUCKS Engine: 6HE1, 6BD1 etc			
					
Dimensions (mm)					
Adj. Hole Diameter	Pivot Hole Diameter	Adj. to Pivot	Leg/Foot Length	Pulley Diameter	Number of Grooves
12	14	226	70	82	2-V

A12258
ALTERNATOR 24V 40A
B\LESS NIKKO
Manufacturers: Isuzu, Komatsu

A12258M 24v 50a I/R		Suits: ISUZU TRUCKS (MITSUBISHI TYPE) Engine: 6HE1, 6BD1 etc			
					
Dimensions (mm)					
Adj. Hole Diameter	Pivot Hole Diameter	Adj. to Pivot	Leg/Foot Length	Pulley Diameter	Number of Grooves
12	14	226	70	82	2-V

A12258M
ALTERNATOR 24V 50A
SUIT ISUZU
Manufacturers: Isuzu, Komatsu



A12259 24v 40a		Suits: KOMATSU Engine: -			
					
Dimensions (mm)					
Adj. Hole Diameter	Pivot Hole Diameter	Adj. to Pivot	Leg/Foot Length	Pulley Diameter	Number of Grooves
10	12	201	101	82	2-V

A12259
ALT NIKKO 24V KOMATSU
101MM LEG
Manufacturer: Komatsu

KOMATSU

A12263 24v 30AMP		Suits: ISUZU			
		Engine: 6SA1			
					
Dimensions (mm) Note: -					
Adj. Hole Diameter	Pivot Hole Diameter	Adj. to Pivot	Leg/Foot Length	Pulley Diameter	Number of Grooves
12	14	191	69	82	2-v

A12263
ALTERNATOR 24V 35A
NIKKO, ISUZU
Manufacturers: Isuzu, Komatsu

A12266 24v 25a I/R		Suits: ISUZU			
		Engine: 6BD1 6BB1			
					
Dimensions (mm) Note: -					
Adj. Hole Diameter	Pivot Hole Diameter	Adj. to Pivot	Leg/Foot Length	Pulley Diameter	Number of Grooves
12	15	189	69	82	2-v

A12266
ALT 24V 25A NIKKO SUIT
6BD1 & 6BB1
Manufacturers: Isuzu, Komatsu

A12360 24v 30a I/R		Suits: ISUZU EXCAVATOR			
		Engine: -			
					
Dimensions (mm) Note: -					
Adj. Hole Diameter	Pivot Hole Diameter	Adj. to Pivot	Leg/Foot Length	Pulley Diameter	Number of Grooves
13	14	191	70	83	2-V



A12360
ALT REP NIKKO HITACHI
EXCAVATOR 24V
Manufacturers: Hitachi, Isuzu,
Komatsu

A7297 24v 45AMP		Suits: INDUSTRIAL APPS DELCO 20			
		Engine: -			
					
Dimensions (mm) Note: -					
Adj. Hole Diameter	Pivot Hole Diameter	Adj. to Pivot	Leg/Foot Length	Pulley Diameter	Number of Grooves
13	13	198	102		

A7297
ALT, S/E, 24V 45A BRUSHLESS
20SI
Manufacturers: Komatsu,
Delco, Caterpillar, Cummins

A875 24V 35AMP		Suits: KOMATSU			
		Engine: -			
					
Dimensions (mm) Note: -					
Adj. Hole Diameter	Pivot Hole Diameter	Adj. to Pivot	Leg/Foot Length	Pulley Diameter	Number of Grooves
9	11	160	58	75	8

A875
ALTERNATOR 24V IR/IF
KOMATSU MULTI RIB
Manufacturer: Komatsu

A900N 24v 20a		Suits: KOMATSU FORKLIFT			
		Engine: NIKKO			
					
Dimensions (mm) Note: -					
Adj. Hole Diameter	Pivot Hole Diameter	Adj. to Pivot	Leg/Foot Length	Pulley Diameter	Number of Grooves
6	8	156	82	77	1-V

A900N
USE A12243
Manufacturers: Forklift,
Komatsu

AR4020E4 24v 20a I/R		Suits: MITSUBISHI CATERPILLAR			
		Engine: -			
					
Dimensions (mm) Note: Sealed Unit					
Adj. Hole Diameter	Pivot Hole Diameter	Adj. to Pivot	Leg/Foot Length	Pulley Diameter	Number of Grooves
12	14	197	102	91	2-V

AR4020E4
ALT 24V 20A SEALED MIT
CAT, can be S/E
Manufacturers: Caterpillar,
Komatsu

S1440X CW 24v 8.0kw PLGR/Nippondenso		Suits: REPLACES 39MT, 40MT, 42MT			
		Engine: Various			
					
Dimensions (mm) Note: Replaces Delco 12 Tooth Teeth: 13					
Pinion Offset:	Mt. Holes Cnt. to Cnt.	Spigot Diameter	Pinion Diameter	Pinion At Rest	
n/a	126 x 3	92	47	47	

S1440X
ND STR 24V 8.0KW PLNTRY
REP 12TH
Manufacturers: Komatsu,
Delco, Nippondenso

S1450X CW 24v 8.0kw PLGR		Suits: REPLACES 39MT 40MT 42MT NIPPON DENSO			
		Engine: Various			
					
Dimensions (mm) Note: Replaces 11th Delco Teeth 12					
Pinion Offset:	Mt. Holes Cnt. to Cnt.	Spigot Diameter	Pinion Diameter	Pinion At Rest	
n/a	126 x 3	90	57	47	

S1450X
ND STR 12TH, 24V 8.0KW
PLNTRY, REP 11TH DELCO
Manufacturers: Komatsu,
Delco, Nippondenso

KOMATSU

S16223 CW		Suits: KOMATSU	
12v 1.2kw		Engine: P40	
P/E			
			
Dimensions (mm)		Teeth: 9	
Pinion Offset:	Mt. Holes Cnt. to Cnt.:	Spigot Diameter:	Pinion Diameter:
no	105	82	29
			Pinion At Rest:
			32

S16223
STARTER 12V P/E
KOMATSU P40
Manufacturers: Komatsu,
Toyota, Forklift

S16738 CW		Suits: KOMATSU 1980-96	
12v 1.4kw		Engine: -	
G/R			
			
Dimensions (mm)		Teeth: 9	
Pinion Offset:	Mt. Holes Cnt. to Cnt.:	Spigot Diameter:	Pinion Diameter:
n/a	120	95	32
			Pinion At Rest:
			20

S16738
STR HIT 9TH 32MM G/R ISEKI
Manufacturers: Komatsu, Iseki

S17097 CW		Suits: KOMATSU, MITSUBISHI FORKLIFTS	
12v 1.6kw		Engine: L2E, L2A	
OSGR			
			
Dimensions (mm)		Note: Both ML Holes Threaded	
Pinion Offset:	Mt. Holes Cnt. to Cnt.:	Spigot Diameter:	Pinion Diameter:
yes	104	77	45
			Pinion At Rest:
			17

S17097
SUIT KOMATSU FORKLIFT
Manufacturers: Forklift,
Komatsu, Mitsubishi

S18103 CW		Suits: KOMATSU PC75, PC90 (WET CLUTCH)	
24v 3.5kw		Engine: 4D95	
G/R			
			
Dimensions (mm)		Note: Nikko Type	
Pinion Offset:	Mt. Holes Cnt. to Cnt.:	Spigot Diameter:	Pinion Diameter:
no	120	95	35
			Pinion At Rest:
			20

S18103
STR REP NIKKO G/R 24V
9TH(WET)
Manufacturer: Komatsu

S18103M CW		Suits: KOMATSU PC75-PC90 (WET CLUTCH)	
24v 3.2kw		Engine: 4D95	
G/R			
			
Dimensions (mm)		Note: Mitsubishi Type	
Pinion Offset:	Mt. Holes Cnt. to Cnt.:	Spigot Diameter:	Pinion Diameter:
no	120	95	35
			Pinion At Rest:
			19

S18103M
STR(WET) SUIT KOMATSU
4D95 MIT TYPE
Manufacturer: Komatsu

S18104 CW		Suits: KOMATSU (WET CLUTCH)	
24v 5.5kw		Engine: 6D95L	
G/R			
			
Dimensions (mm)		Note: CORE EXCHANGE	
Pinion Offset:	Mt. Holes Cnt. to Cnt.:	Spigot Diameter:	Pinion Diameter:
n/a	150	105	40
			Pinion At Rest:
			13

S18104
STARTER now S9081
Manufacturer: Komatsu

S18105 CW		Suits: KOMATSU (NIKKO TYPE)	
24v 7.5kw		Engine: 6D105	
G/R			
			
Dimensions (mm)		Teeth: 13	
Pinion Offset:	Mt. Holes Cnt. to Cnt.:	Spigot Diameter:	Pinion Diameter:
n/a	118/118/136	105	46
			Pinion At Rest:
			53

S18105
STARTER KOMATSU S6D105
7.5KW
Manufacturer: Komatsu

S18107 CW		Suits: KOMATSU	
24v 7.5kw		Engine: G0605A,6D125,S6D125	
			
Dimensions (mm)		Teeth: 13	
Pinion Offset:	Mt. Holes Cnt. to Cnt.:	Spigot Diameter:	Pinion Diameter:
	127x127x127	92	45
			Pinion At Rest:
			47

S18107
STARTER NIKKO 24V 12 TOOTH
KOMATSU
Manufacturer: Komatsu

S18392 CW		Suits: VOLVO	
24v 6.6kw		Engine: 12.0L	
DD			
			
Dimensions (mm)		Teeth: 12	
Pinion Offset:	Mt. Holes Cnt. to Cnt.:	Spigot Diameter:	Pinion Diameter:
no	126 x 3	92	46
			Pinion At Rest:
			47

S18392
STR VOLVO 24V 12T 6.6KW
CO-AXIAL
Manufacturers: Volvo,
Komatsu, Bosch

KOMATSU

S3930		CW	Suits: KOMATSU	
24v 11kw G/R			Engine: S6D125, S6D140, S6D170, SA170, SA8V170, SA12V170	
				
Dimensions (mm)		Teeth: 11		
Pinion Offset:	Mt. Holes Cnt. to Cnt.	Spigot Diameter	Pinion Diameter	Pinion At Rest
no	126.5 x 3	92	56	48

S3930
STARTER 24V11KW SAWAFUJI
KOMATSU
Manufacturer: Komatsu

S4900M		CW	Suits: KOMATSU PC75-PC90 (WET CLUTCH)	
24v 3.2kw G/R			Engine: 4D95	
				
Dimensions (mm)		Teeth: 9		
Pinion Offset:	Mt. Holes Cnt. to Cnt.	Spigot Diameter	Pinion Diameter	Pinion At Rest
n/a	145	95	35	19

S4900M
STARTER 24V MIT G/R RPL
NIKKO (WET)
Manufacturer: Komatsu

S9034		CW	Suits: KOMATSU - NIPPONDENSO (WET CLUTCH)	
24v 4.5kw G/R			Engine: S6D170	
				
Dimensions (mm)		Teeth: 10		
Pinion Offset:	Mt. Holes Cnt. to Cnt.	Spigot Diameter	Pinion Diameter	Pinion At Rest
yes	127	88	40	49

S9034
STARTER 24V ND WET
(CUMMINS)10TH
Manufacturers: Komatsu,
Cummins

S9048		CW	Suits: ISUZU KOMATSU FORKLIIFT	
12v 2.5kw G/R			Engine: -	
				
Dimensions (mm)		Teeth: 11		
Pinion Offset:	Mt. Holes Cnt. to Cnt.	Spigot Diameter	Pinion Diameter	Pinion At Rest
yes	120	95	38	22

S9048
STARTER 12V G/R ISUZU H/D
Manufacturers: Forklift, Isuzu,
Komatsu

S9053		CW	Suits: KOMATSU 1986- (WET CLUTCH)	
24v 4.5kw G/R			Engine: 6D95	
				
Dimensions (mm)		Teeth: 12		
Pinion Offset:	Mt. Holes Cnt. to Cnt.	Spigot Diameter	Pinion Diameter	Pinion At Rest
no	125/125/125	100	47	20

S9053
STR 24V 12TH G/R SUIT
KOMATSU (wet)
Manufacturer: Komatsu

S9078		CW	Suits: KOMATSU - Replaces Nikko	
24v 4.5kw G/R			Engine: 6D105 4D105	
				
Dimensions (mm)		Teeth: 13		
Pinion Offset:	Mt. Holes Cnt. to Cnt.	Spigot Diameter	Pinion Diameter	Pinion At Rest
no	137 x 118 x 118	100	46	50

S9078
STR 24V (WET) 13TH
KOMATSU
Manufacturer: Komatsu

S9081		CW	Suits: KOMATSU PC200, PC300 (WET CLUTCH)	
24v 4.5kw G/R			Engine: 6D95L	
				
Dimensions (mm)		Teeth: 11		
Pinion Offset:	Mt. Holes Cnt. to Cnt.	Spigot Diameter	Pinion Diameter	Pinion At Rest
no	150	105	40	15

S9081
STR 24V (WET)ND SUIT
KOMATSU
Manufacturer: Komatsu

S9180		CW	Suits: KOMATSU (NIPPONDENSO)	
24v 4.5kw G/R (Wet)			Engine: 4D95L	
				
Dimensions (mm)		Teeth: 9		
Pinion Offset:	Mt. Holes Cnt. to Cnt.	Spigot Diameter	Pinion Diameter	Pinion At Rest
no	120	95	34.6	19

S9180
STR 24V 9TH (WET) KOMATSU
4D95L
Manufacturer: Komatsu

LISTER PETTER

S18158		CW		Suits: LISTER PETTER	
12v 1.4kw				Engine: LPA2, LPWS2/3	
G/R					
					
Dimensions (mm) Note: Both Mt. Holes Threaded Teeth: 11					
Pinion Offset:	Mt. Holes Cnt. to Cnt.	Spigot Diameter	Pinion Diameter	Pinion At Rest	
yes	127	89	44	26	

S18158
STR LISTER PETTER LPA2
LPWS2/3
Manufacturer: Lister Petter

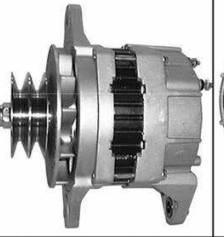
S7061		CW		Suits: LISTER (WET CLUTCH)	
12v 2.5kw				Engine: -	
G/R					
					
Dimensions (mm) Teeth: 10					
Pinion Offset:	Mt. Holes Cnt. to Cnt.	Spigot Diameter	Pinion Diameter	Pinion At Rest	
no	90/90/127	89	40	45.5	

S7061
STARTER 12V 10TH40MM
28MT(WET)
Manufacturers: Lister Petter,
Delco

SU6		CW		Suits: LISTER, GARDNER (Cradle Mount)	
24v				Engine: U6	
D/D					
					
Dimensions (mm) Teeth: 12					
Pinion Offset:	Mt. Holes Cnt. to Cnt.	Spigot Diameter	Pinion Diameter	Pinion At Rest	
n/a	n/a	101	47	n/a	

SU6
STARTER C.A.V 24V U6 12TH
Manufacturer: Lister Petter

MACK

A1001				Suits: CATERPILLAR	
12v 120a				Engine: Various	
I/R, E/F 22SI					
					
Dimensions (mm)					
Adj. Hole Diameter	Pivot Hole Diameter	Adj. to Pivot	Leg/Foot Length	Pulley Diameter	Number of Grooves
10	10	198	101	89	2-V

A1001
ALTERNATOR 12V 150A IR/EF
21SI/ 22SI APPS
Manufacturers: Yanmar,
Kenworth, Mack, Caterpillar,
Cummins

A1101		B+ D+ W		Suits: CATERPILLAR	
24v				Engine: Various, Universal H/duty	
80a					
					
Dimensions (mm)					
Adj. Hole Diameter	Pivot Hole Diameter	Adj. to Pivot	Leg/Foot Length	Pulley Diameter	Number of Grooves
10	13	198	101	n/a	n/a

A1101
ALTERNATOR 24V 70A REP
DELCO 27SI
Manufacturers: GM, Ken-
worth, Mack, Caterpillar,
Cummins

A12349				Suits:	
12v				Engine: Diesel	
130a					
					
Dimensions (mm) Genuine Nippon and Denso					
Adj. Hole Diameter	Pivot Hole Diameter	Adj. to Pivot	Leg/Foot Length	Pulley Diameter	Number of Grooves
10	12	198	101	n/a	n/a

A12349
ND Alternator 12v 130 amp
Mack applications
Manufacturers: Mack,
Cummins

MACK

A12490		B+	D+	W	Suits: USA DIESEL	
12v		0	0	0	Engine:-	
160a						
						
Dimensions (mm)						
Adj. Hole Diameter	Pivot Hole Diameter	Adj.to Pivot	Leg/Foot Length	Pulley Diameter	Number of Grooves	
10	12	198	101	NIL	NIL	

A12490

ALT BOSCH 12V 160AMP,D+,W
Manufacturers: Kenworth, Mack, Volvo, Caterpillar, Cummins, International, John Deere, Massey Ferguson, Volvo Penta, Bosch

A8058		Suits: MARINE				
12v		REPLACE. LEECE NEVILLE MOTOROLLA				
160a I/R		Engine:				
						
Dimensions (mm)						
Adj. Hole Diameter	Pivot Hole Diameter	Adj.to Pivot	Leg/Foot Length	Pulley Diameter	Number of Grooves	
10	12	215	100	n/a	n/a	



A8058

ALT,S/E,12V 160 AMP REP MOTOROLA
Manufacturers: Leece Neville, Kenworth, Mack, Volvo, Volvo Penta

A8080		Suits: KENWORTH, MACK,				
12V 110A		VOLVO, ETC				
		33SI DELCO				
						
Dimensions						
Adj. Hole Diameter	Pivot Hole Diameter	Adj.to Pivot	Leg/Foot Length	Pulley Diameter	Number of Grooves	
10	12	195	102	N/A	N/A	

A8080

ALT 12V 110A 33SI S/EXCITING USA DELCO
Manufacturers: Kenworth, Mack, Volvo

A8361		Suits: CATERPILLAR				
12v		Engine: -				
100a I/R						
						
Dimensions (mm)						
Adj. Hole Diameter	Pivot Hole Diameter	Adj.to Pivot	Leg/Foot Length	Pulley Diameter	Number of Grooves	
10.2 (2)	12 (2)	190/189	101 (2)	89	2-V	

A8361

ALT DELCO QUAD MOUNT 12V 120A
Manufacturers: Cummins, Kenworth, Mack

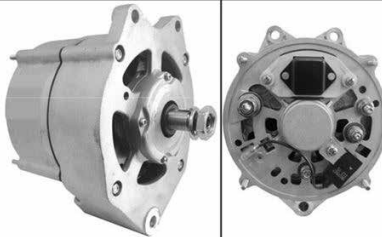
S7158		Suits: MACK TRUCKS				
24v 4.5kw		28MT DELCO				
OSGR		Engine: CUMMINS				
						
Dimensions (mm)						
Pinion Offset:	Mt. Holes Cnt. to Cnt.	Spigot Diameter	Pinion Diameter	Teeth 10		
no	90 x 90 x 127	89	32	Pinion At Rest 46		

S7158

STR 28MT 24V WET 10TH 32MM
Manufacturers: Mack, Delco, Cummins

MAN

A0109 B+ D+ W Suits: MERCEDES (BOSCH)
24v Engine: -
55a



Dimensions (mm)					
Adj. Hole Diameter	Pivot Hole Diameter	Adj. to Pivot	Leg/Foot Length	Pulley Diameter	Number of Grooves
10	10	175 x 2	80	n/a	n/a

A0109
BOSCH 24V 55A MAN MERC
Manufacturers: Mercedes
Benz, Man, DAF, Bosch

A20617 W S G V DFM Suits: MAN BUS
24v Engine: -
120a I/R



Dimensions					
Adj. Hole Diameter	Pivot Hole Diameter	Adj. to Pivot	Leg/Foot Length	Pulley Diameter	Number of Grooves
13	11	160	80		

A20617
ALT BOSCH 24V 120amp
MAN Bus/Truck
Manufacturer: Man

S231007 CW Suits: MAN 1994-02
24v 4.0kw
PLGR Engine: -



Dimensions					Teeth 11	
Pinion Offset:	Mt. Holes Cnt. to Cnt.	Spigot Diameter	Pinion Diameter	Pinion At Rest		
n/a	126/81/92	89	40	28		

S231007
STARTER REP BOSCH 24V
11TH MAN
Manufacturers: Man, Bosch

mitsubishi

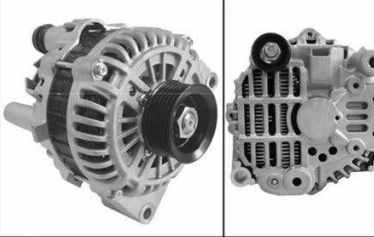
A11055 Suits: MITSUBISHI LANCER
12V 110A I/R 2004-2010
G S L F (C) (FR) Engine: 2.4L



Dimensions (mm)					
Adj. Hole Diameter	Pivot Hole Diameter	Adj. to Pivot	Leg/Foot Length	Pulley Diameter	Number of Grooves
10	10	132	53	72	6

A11055
ALTERNATOR MITSU IR/IF
12V 110AMP CW
Manufacturer: Mitsubishi

A11096 L S Suits: HOLDEN COMMODORE
12v Engine: Gen 3
140a I/R



Dimensions (mm)					
Adj. Hole Diameter	Pivot Hole Diameter	Adj. to Pivot	Leg/Foot Length	Pulley Diameter	Number of Grooves
10	10	139	50 x 2	58	6

A11096
ALT COMMODORE GEN 3,
LS1, 140AMP
Manufacturers: Holden, GM,
Mitsubishi

A11097 L FR Suits: HOLDEN COMMODORE
12v Engine: LS2 - VZ
140a I/R



Dimensions (mm)						Note: Double Mounts. Check for ORC
Adj. Hole Diameter	Pivot Hole Diameter	Adj. to Pivot	Leg/Foot Length	Pulley Diameter	Number of Grooves	
7	7	136	48 x 2	49	6	

A11097
ALT, 12V 140A HOLDEN VZ,
RVC REG LS2
Manufacturers: GM, Holden,
Mitsubishi

MITSUBISHI

A11170
12v
105a

Suits: MITSUBISHI
LANCER
Engine: 2.0L

Dimensions (mm)

Adj. Hole Diameter	Pivot Hole Diameter	Adj. to Pivot	Leg/Foot Length	Pulley Diameter	Number of Grooves
9	10	183	64.5	65	6

Note: -

A11170
MITSUBISHI LANCER ES 2.0L
Manufacturer: Mitsubishi

A12231
12v
40a I/R

Suits: MITSUBISHI INDUSTRIAL
Engine: L3 L3E L4 DIESEL

Dimensions (mm)

Adj. Hole Diameter	Pivot Hole Diameter	Adj. to Pivot	Leg/Foot Length	Pulley Diameter	Number of Grooves
M6	8	145	40	68	1-V

A12231
ALTERNATOR 12V BABY MITSU
Manufacturer: Mitsubishi

A12435
24v
40a

Suits: MITSUBISHI
Engine:

Dimensions (mm)

Adj. Hole Diameter	Pivot Hole Diameter	Adj. to Pivot	Leg/Foot Length	Pulley Diameter	Number of Grooves
10	12	189	80	81	1-V

Note: Large Vac Pump

A12435
ALT, 24V MITSU LGE VAC
PMP L & R
Manufacturer: Mitsubishi

A13197
12v
65a I/R

Suits: MITSUBISHI
Engine: -

Dimensions (mm)

Adj. Hole Diameter	Pivot Hole Diameter	Adj. to Pivot	Leg/Foot Length	Pulley Diameter	Number of Grooves
6	8	156	48	55	4

A13197
ALTERNATOR. MITSU IR/IF
S/L OFFSET ADJUS
Manufacturer: Mitsubishi

A13249
12v 75a
I/R, I/F

Suits: HYUNDAI
Engine: CANTRA SONATA
1.6L 1.8L 2.0L

Dimensions (mm)

Adj. Hole Diameter	Pivot Hole Diameter	Adj. to Pivot	Leg/Foot Length	Pulley Diameter	Number of Grooves
6	8	176	77	64	4

A13249
ALT, 12V IR/IF SUIT MITSUBISHI
Manufacturers: Mitsubishi,
Hyundai

A13257
12v
75a I/R

Suits: MITSUBISHI PAJERO,
L300
Engine: 6G72

Dimensions (mm)

Adj. Hole Diameter	Pivot Hole Diameter	Adj. to Pivot	Leg/Foot Length	Pulley Diameter	Number of Grooves
6 x 2	8	176	55	69	5

A13257
ALT. MITSUBISHI 12V 75A
DOUBLE ADJUSTER
Manufacturer: Mitsubishi

A13351
12v
110a I/R, I/F

Suits: HYUNDAI SONATA '90-94
Engine: 3.0L

Dimensions (mm)

Adj. Hole Diameter	Pivot Hole Diameter	Adj. to Pivot	Leg/Foot Length	Pulley Diameter	Number of Grooves
6	8	178	55	64	5

A13351
ALT. HYUNDAI/MITSU 3L
1995-96, 6G72, 6G74
Manufacturers: Mitsubishi,
Hyundai

A13450
12v
90a I/R, I/F

Suits: MITSUBISHI
Engine: -

Dimensions (mm)

Adj. Hole Diameter	Pivot Hole Diameter	Adj. to Pivot	Leg/Foot Length	Pulley Diameter	Number of Grooves
6	10	174	55	70	4

A13450
ALT. MITSU INT FAN 90A
Manufacturer: Mitsubishi

A13451
12v
70a I/R

Suits: MITSUBISHI 1992-96
Engine: 2.4L

Dimensions (mm)

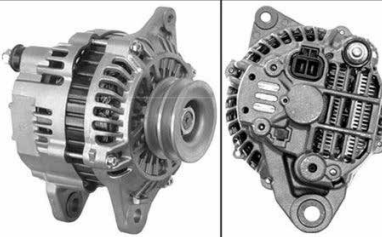
Adj. Hole Diameter	Pivot Hole Diameter	Adj. to Pivot	Leg/Foot Length	Pulley Diameter	Number of Grooves
6	8	176	80	67	4

A13451
ALT. MITSUBISHI 1992-96
2.4L 4G64
Manufacturer: Mitsubishi

MITSUBISHI

A13577
12v
75a I/R

Suits: MITSUBISHI
PAJERO
Engine: 4M40 2.8L DIESEL

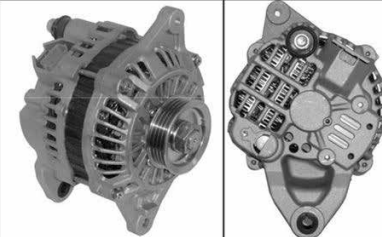


Dimensions (mm)					
Adj. Hole Diameter	Pivot Hole Diameter	Adj. to Pivot	Leg/Foot Length	Pulley Diameter	Number of Grooves
6	12	177.5	53.5	84	2-V

A13577
ALT.MITSUBISHI PAJERO
4M40 90A
Manufacturer: Mitsubishi

A13585
12v
90a I/R

Suits: MITSUBISHI GALANT
1995-96
Engine: -



Dimensions (mm)					
Adj. Hole Diameter	Pivot Hole Diameter	Adj. to Pivot	Leg/Foot Length	Pulley Diameter	Number of Grooves
6	8	176	80	61	4

A13585
ALT.GALANT MITSUBISHI
1995-96
Manufacturer: Mitsubishi

A13586
12v 75AMP

Suits: MITSUBISHI
Engine: 4G63



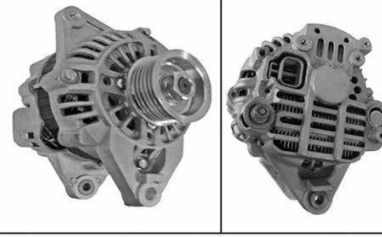
Dimensions (mm)					
Adj. Hole Diameter	Pivot Hole Diameter	Adj. to Pivot	Leg/Foot Length	Pulley Diameter	Number of Grooves
M8	8	176	80	64	4

Note: -

A13586
ALT.VARIOUS MITSU 4 PIN
MITSU MODELS
Manufacturer: Mitsubishi

A13597
12v 110AMP

Suits: MITSUBISHI 1996-0N
Engine: 3.0L



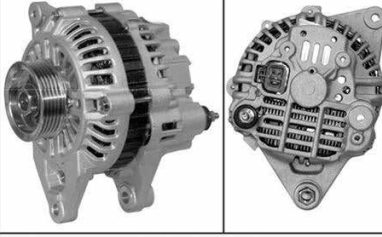
Dimensions (mm)					
Adj. Hole Diameter	Pivot Hole Diameter	Adj. to Pivot	Leg/Foot Length	Pulley Diameter	Number of Grooves
M8	8	178	55	65	6

Note: -

A13597
ALT, MITSU V3000
Manufacturer: Mitsubishi

A13615
12v
90a I/R

Suits: MITSUBISHI
Engine: 3.5L



Dimensions (mm)					
Adj. Hole Diameter	Pivot Hole Diameter	Adj. to Pivot	Leg/Foot Length	Pulley Diameter	Number of Grooves
6.5	10	180	55	69	5

A13615
ALT.MITSUBISHI PAJERO V6
Manufacturer: Mitsubishi

A13702
12v
90a I/R

Suits: HYUNDAI SONATA
1996-97
Engine: 6G72



Dimensions (mm)					
Adj. Hole Diameter	Pivot Hole Diameter	Adj. to Pivot	Leg/Foot Length	Pulley Diameter	Number of Grooves
6	8	172	54	57	4

A13702
ALT HYUNDAI 1996-97 90A
Manufacturers: Mitsubishi,
Hyundai

A13787
12v
90a

Suits: MITSUBISHI
Engine: -

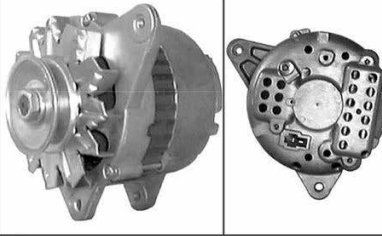


Dimensions (mm)					
Adj. Hole Diameter	Pivot Hole Diameter	Adj. to Pivot	Leg/Foot Length	Pulley Diameter	Number of Grooves
7	10	176	64	60	4

A13787
ALTERNATOR MITSU 4 PIN
Manufacturer: Mitsubishi

A14268
12v
45a I/R

Suits: MITSUBISHI MIRAGE,
LANCER
Engine: 4G11, 4G12, 4G15, 4G32

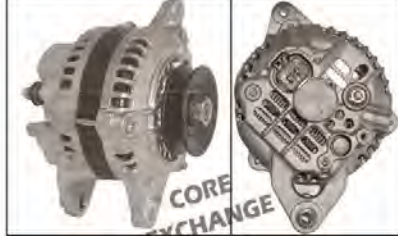


Dimensions (mm)					
Adj. Hole Diameter	Pivot Hole Diameter	Adj. to Pivot	Leg/Foot Length	Pulley Diameter	Number of Grooves
6	10	150	47	72	2-V

A14268
ALT MITSU EF/IR GALANT
Manufacturer: Mitsubishi

A14430
12v
55a I/R

Suits: MITSUBISHI PICKUP
Engine: -



Dimensions (mm)					
Adj. Hole Diameter	Pivot Hole Diameter	Adj. to Pivot	Leg/Foot Length	Pulley Diameter	Number of Grooves
6	8	175	55	74	1-V

CORE EXCHANGE

A14430
ALTERNATOR 12V MITSU L300
Manufacturer: Mitsubishi

MITSUBISHI

A14432
12v
70a I/R

Suits: MITSUBISHI PICKUP
Engine: 2.6L

Dimensions (mm)					
Adj. Hole Diameter	Pivot Hole Diameter	Adj. to Pivot	Leg/Foot Length	Pulley Diameter	Number of Grooves
6	8	175	55	66	1-V

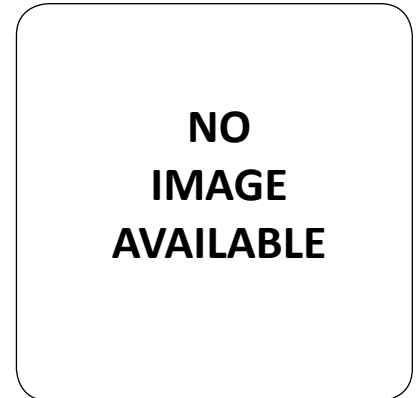
A14432
ALT.CHRYSLER MITSU
PICKUP 2.6L
Manufacturer: Mitsubishi

A14436
12v
75a I/R

Suits: HYUNDAI SONATA
LANTRA, EXCEL PONY
Engine: 1.5L

Dimensions (mm)					
Adj. Hole Diameter	Pivot Hole Diameter	Adj. to Pivot	Leg/Foot Length	Pulley Diameter	Number of Grooves
6	8	173	55	59	4

A14436
ALT.MITSU IF/IR MITSUBISHI
1987-94
Manufacturers: Mitsubishi,
Hyundai



A14438
ALT. MITSU STARION/MITSU
UTE L300
Manufacturer: Mitsubishi

A14690
12v
50a I/R

Suits: MITSUBISHI DELICA,
PAJERO
Engine: 4D55, 4D56

Dimensions (mm)					
Adj. Hole Diameter	Pivot Hole Diameter	Adj. to Pivot	Leg/Foot Length	Pulley Diameter	Number of Grooves
6	8	174.5	53.5	74	1-V

A14690
ALT 12V VAC SUIT MITSU DIESEL
Manufacturer: Mitsubishi

A14692
12v
50a I/R

Suits: MITSUBISHI
Engine: 2.3L DIESEL

Dimensions (mm)					
Adj. Hole Diameter	Pivot Hole Diameter	Adj. to Pivot	Leg/Foot Length	Pulley Diameter	Number of Grooves
6	8	165	51	73	1-V

Note: 30cc Vac Pump

A14692
ALT 12V VAC MIT.DIESEL
EX FAN
Manufacturer: Mitsubishi

A14706
12v
65a I/R, I/F

Suits: MITSUBISHI
Engine: -

Dimensions (mm)					
Adj. Hole Diameter	Pivot Hole Diameter	Adj. to Pivot	Leg/Foot Length	Pulley Diameter	Number of Grooves
6	8	175	55	56	4

A14706
ALT.MITSU IF/IR R&L 4R18
Manufacturer: Mitsubishi

A14950
12v
55a I/R

Suits: HYUNDAI
Engine: -

Dimensions (mm)					
Adj. Hole Diameter	Pivot Hole Diameter	Adj. to Pivot	Leg/Foot Length	Pulley Diameter	Number of Grooves
6	8	155	46	74	1-V

A14950
ALT, HYUNDAI, MITSU
Manufacturers: Mitsubishi,
Hyundai

A2187
24v
30a I/R

Suits: MITSUBISHI TRUCKS
Engine: 6D10 to 6D22

Dimensions (mm)					
Adj. Hole Diameter	Pivot Hole Diameter	Adj. to Pivot	Leg/Foot Length	Pulley Diameter	Number of Grooves
10	12	174	80	82	2-V

A2187
ALTERNATOR 24V 30A MIT
6D10/22
Manufacturer: Mitsubishi


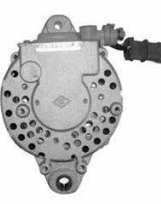
A2188
24v
40a I/R

Suits: MITSUBISHI
Engine: 6D14, 6D32



Dimensions (mm)					
Adj. Hole Diameter	Pivot Hole Diameter	Adj. to Pivot	Leg/Foot Length	Pulley Diameter	Number of Grooves
10	12	189	80	82	2-V

A2188
ALT 24V40AMP MITSU
D/PULLEY
Manufacturer: Mitsubishi

MITSUBISHI

A2188-60 24v 60a I/R		Suits: MITSUBISHI Engine: 6D series			
					
Dimensions (mm) Note: Double Pulley MD					
Adj. Hole Diameter	Pivot Hole Diameter	Adj. to Pivot	Leg/Foot Length	Pulley Diameter	Number of Grooves
10	12	190	82	72	2-V


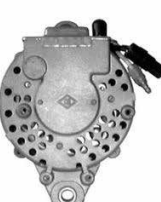
A2188-60
ALT 24V 60AMP MITSU
D/PULLEY MD
Manufacturer: Mitsubishi

A2188BL 24v 40a I/R		Suits: MITSUBISHI Engine: 6CYL			
					
Dimensions (mm) Note: Brushless					
Adj. Hole Diameter	Pivot Hole Diameter	Adj. to Pivot	Leg/Foot Length	Pulley Diameter	Number of Grooves
10	12	189	80	82	2-V

A2188BL
ALTERNATOR 24V BRUSHLESS
6CYL MITSU
Manufacturer: Mitsubishi

A2188BV 24v 40a I/R		Suits: MITSUBISHI TRUCKS Engine: 4D30 to 4D32, 6D14 to 6D32			
					
Dimensions (mm) Note: Large Pump					
Adj. Hole Diameter	Pivot Hole Diameter	Adj. to Pivot	Leg/Foot Length	Pulley Diameter	Number of Grooves
10	12	189	80	82	2-V

A2188BV
ALT, MITSU 24V LGE VAC D/P
Manufacturer: Mitsubishi

A2189 24v 40a I/R		Suits: MITSUBISHI Engine: 8DC SERIES			
					
Dimensions (mm)					
Adj. Hole Diameter	Pivot Hole Diameter	Adj. to Pivot	Leg/Foot Length	Pulley Diameter	Number of Grooves
10	12	182	80	103	1-V



A2189
ALTERNATOR 24V40A INT
REG MIT
Manufacturer: Mitsubishi

Suits: - Engine: -					
CORE EXCHANGE					
Dimensions (mm) Note: -					
Adj. Hole Diameter	Pivot Hole Diameter	Adj. to Pivot	Leg/Foot Length	Pulley Diameter	Number of Grooves
-	-	-	-	-	-

A33676
ALT MITSU 12V VAC TRADER
Manufacturer: Mitsubishi

A3T11191 12v 90a I/R		Suits: MITSUBISHI GALANT Engine: 2.0L V6			
					
Dimensions (mm) Note: -					
Adj. Hole Diameter	Pivot Hole Diameter	Adj. to Pivot	Leg/Foot Length	Pulley Diameter	Number of Grooves
6	10	176	49	70	4

A3T11191
ALT, 47MM LEG, ODD MITSU
Manufacturer: Mitsubishi

A3TA1491 12v 80a I/R		Suits: MITSUBISHI FTO 1995-97 Engine: -			
					
Dimensions (mm)					
Adj. Hole Diameter	Pivot Hole Diameter	Adj. to Pivot	Leg/Foot Length	Pulley Diameter	Number of Grooves
-	-	-	-	-	4

A3TA1491
ALT MITSU FTO 4 PIN REG
Manufacturer: Mitsubishi

A3TA1591 12v 90a I/R		Suits: MITSUBISHI FTO Engine: FTO V6			
					
Dimensions (mm) Note: -					
Adj. Hole Diameter	Pivot Hole Diameter	Adj. to Pivot	Leg/Foot Length	Pulley Diameter	Number of Grooves
11	10	130	66	60	4

A3TA1591
ALTERNATOR MITSU FTO 2 PIN
Manufacturer: Mitsubishi

A3TA2291 12v 120a I/R		Suits: MITSUBISHI DIAMANTE 94-97 Engine: -			
					
Dimensions (mm)					
Adj. Hole Diameter	Pivot Hole Diameter	Adj. to Pivot	Leg/Foot Length	Pulley Diameter	Number of Grooves
6	10	175	55	65	6

A3TA2291
ALT MIT 12V 120A 4 PIN 6GA
Manufacturer: Mitsubishi

MITSUBISHI

A3TA7291
12v
125a I/R

Suits: MITSUBISHI
PAJERO
Engine: 6G74

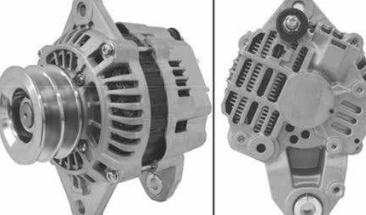


Dimensions (mm)					
Adj. Hole Diameter	Pivot Hole Diameter	Adj. to Pivot	Leg/Foot Length	Pulley Diameter	Number of Grooves
6	10	180	62	60	5

A3TA7291
ALTERNATOR 12V 125A
MITSI 4 PIN
Manufacturer: Mitsubishi

A40456
24v
40a I/R, I/F

Suits: MITSUBISHI CANTER
Engine: 4D33-4D36

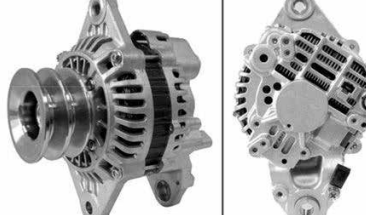


Dimensions (mm)					
Adj. Hole Diameter	Pivot Hole Diameter	Adj. to Pivot	Leg/Foot Length	Pulley Diameter	Number of Grooves
10	12	176	82	79	2-V

A40456
ALTERNATOR 24V40AMP
MITSI I/F L&R
Manufacturer: Mitsubishi

A40486
24v
40a I/R

Suits: MITSUBISHI CANTER,
FUSO
Engine: 4D33, 4D34, 4D35

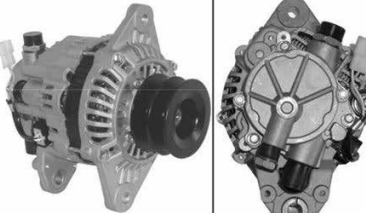


Dimensions (mm)					
Adj. Hole Diameter	Pivot Hole Diameter	Adj. to Pivot	Leg/Foot Length	Pulley Diameter	Number of Grooves
10	12	189	81	82	2-V

A40486
ALT, 24V 40A MITSI I/F I/R,
L&R ONLY
Manufacturer: Mitsubishi

A40486V
24v
35a I/R

Suits: MITSUBISHI
Engine: 6D14-6D17



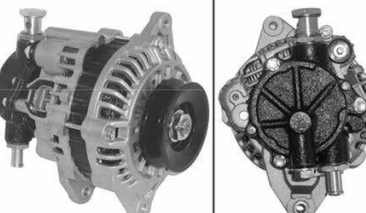
Dimensions (mm)					
Adj. Hole Diameter	Pivot Hole Diameter	Adj. to Pivot	Leg/Foot Length	Pulley Diameter	Number of Grooves
10	10	190	80	82	2-V

Note: Medium Pump

A40486V
ALTERNATOR 24V MED
PUMP 6D14-17 L&R
Manufacturer: Mitsubishi

A4243
12v
75a I/R

Suits: MITSUBISHI
Engine: -



Dimensions (mm)					
Adj. Hole Diameter	Pivot Hole Diameter	Adj. to Pivot	Leg/Foot Length	Pulley Diameter	Number of Grooves
6	8	174	55	82	1-V

Note: Vac Pump, 17mm Pipe

A4243
ALTERNATOR MITSI VAC
75A 17MM PIPE
Manufacturer: Mitsubishi

A4244
12v
75a I/R

Suits: HYUNDAI
Engine: H100 DIESEL



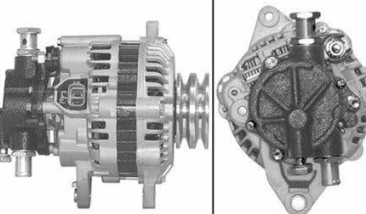
Dimensions (mm)					
Adj. Hole Diameter	Pivot Hole Diameter	Adj. to Pivot	Leg/Foot Length	Pulley Diameter	Number of Grooves
6	10	182	56	79	2-V

Note: 30cc VAC PUMP

A4244
ALT, MITSI..HYUNDAI VAC.
Manufacturers: Mitsubishi,
Hyundai

A4245
12v
75a I/R

Suits: MITSUBISHI DELICA,
PAJERO
Engine: 4D56



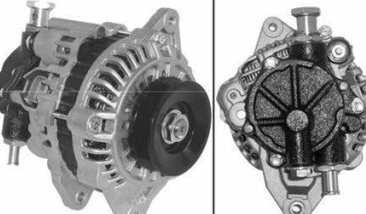
Dimensions (mm)					
Adj. Hole Diameter	Pivot Hole Diameter	Adj. to Pivot	Leg/Foot Length	Pulley Diameter	Number of Grooves
6	8	175	55	78.5	2-V

Note: Return Pipe 17mm Diameter

A4245
ALTERNATOR 12V 75A
IR/IF 4D56
Manufacturer: Mitsubishi

A4246
12v
75a I/R, I/F

Suits: MITSUBISHI
(12mm Single Pulley)
Engine: -



Dimensions (mm)					
Adj. Hole Diameter	Pivot Hole Diameter	Adj. to Pivot	Leg/Foot Length	Pulley Diameter	Number of Grooves
6	8	174	55	82	1-V

Note: VAC PUMP

A4246
ALT MITSI IR/IF 12V 75A VAC
12MM SNG PUL
Manufacturer: Mitsubishi

A4247
12v
75a I/R

Suits: HYUNDAI, MITSI
H100, L300, DELICA
Engine: 2.5L Diesel



Dimensions (mm)					
Adj. Hole Diameter	Pivot Hole Diameter	Adj. to Pivot	Leg/Foot Length	Pulley Diameter	Number of Grooves
6	8	182	55	77	2-V

Note: 30cc VAC PUMP, 17mm Drain

A4247
ALT MITS 12V 75A 30CC VP
Manufacturers: Mitsubishi,
Hyundai

MITSUBISHI

A4248 12V 105AMP		Suits: MITSU PAJERO, DELICA			
Engine: 4D68					
					
Dimensions (mm) Note: -					
Adj. Hole Diameter	Pivot Hole Diameter	Adj. to Pivot	Leg/Foot Length	Pulley Diameter	Number of Grooves
M8	8	182	55	82	1-v



A4248
ALTERNATOR MIT VAC
105A 4D68
Manufacturer: Mitsubishi

A4249 12V 75AMP		Suits: MITSU			
Engine: 4D68					
					
Dimensions (mm) Note: -					
Adj. Hole Diameter	Pivot Hole Diameter	Adj. to Pivot	Leg/Foot Length	Pulley Diameter	Number of Grooves
M8	8	182	55	77	1-v

A4249
ALTERNATOR MITSU 75A VAC
Manufacturer: Mitsubishi

A5186 24v 50AMP		Suits: MITSUBISHI FUSO, CANTER			
Engine: 6D11T, 6DI5					
					
Dimensions (mm) Note: -					
Adj. Hole Diameter	Pivot Hole Diameter	Adj. to Pivot	Leg/Foot Length	Pulley Diameter	Number of Grooves
10	13	210	80	82	2-v

A5186
ALTERNATOR SUIT MITSU
24V 70A
Manufacturer: Mitsubishi

A630 12v 50a I/R		Suits: MITSUBISHI CANTER			
Engine: 4D31, 4D32, 4D33					
					
Dimensions (mm) Note: A70183 24v Version					
Adj. Hole Diameter	Pivot Hole Diameter	Adj. to Pivot	Leg/Foot Length	Pulley Diameter	Number of Grooves
10	12	175	80	84	1-V

A630
ALTERNATOR 12V 50A
CANTER VAC
Manufacturer: Mitsubishi

A70183 24V 25AMP		Suits: MITSUBISHI CANTER			
Engine: 4D30, 4D31, 4D32, 4D34					
					
Dimensions (mm) Note: -					
Adj. Hole Diameter	Pivot Hole Diameter	Adj. to Pivot	Leg/Foot Length	Pulley Diameter	Number of Grooves
10	12	176	80	82	1-v

A70183
ALTERNATOR 24V MITSU
CANTER VAC
Manufacturer: Mitsubishi

A83183 12v 75a I/R		Suits: MITSUBISHI			
Engine: 4D56					
					
Dimensions (mm) Note: 30cc Vac Pump					
Adj. Hole Diameter	Pivot Hole Diameter	Adj. to Pivot	Leg/Foot Length	Pulley Diameter	Number of Grooves
6	8	175	55	82	1-V

A83183
ALT.MIT 12V I/R I/F
VAC PMP 4D56
Manufacturer: Mitsubishi

BXM-123 12v 1.4kw PMGR		Suits: MITSUBISHI MAGNA			
Engine: 2.0 - 2.6L					
					
Dimensions (mm) Teeth: 9					
Pinion Offset:	Mt. Holes Cnt. to Cnt.	Spigot Diameter	Pinion Diameter	Pinion At Rest	
n/a	105	77	29	10	

BXM-123
STARTER BOSCH MITSU MAGMA
Manufacturer: Mitsubishi

BXM1233 12V 85A		Suits: MITSU MAGNA 91-96			
Engine: 2.6L					
					
Dimensions					
Adj. Hole Diameter	Pivot Hole Diameter	Adj. to Pivot	Leg/Foot Length	Pulley Diameter	Number of Grooves
8	8	186	69	55	4

BXM1233
ALT BOSCH 12V 85A MITSU
MAGNA
Manufacturers: Mitsubishi,
Bosch

BXM133 12v 1.4kw PMGR		Suits: MITSUBISHI 4 CYL			
Engine: 2.0L 2.6L					
					
Dimensions (mm) Teeth: 9					
Pinion Offset:	Mt. Holes Cnt. to Cnt.	Spigot Diameter	Pinion Diameter	Pinion At Rest	
n/a	105	77	29	14	

BXM133
STARTER BOSCH SUIT AUSSIE
MITSUBISHI MAGNA
Manufacturers: Mitsubishi,
Bosch



MITSUBISHI

BXM1348		Suits: MITSUBI MAGNA	
12v 108a I/R		Engine: V6 3L	
			
Dimensions			
Adj Hole Diameter	Pivot Hole Diameter	Adj to Pivot	Number of Grooves
6	10	170	6
Leg/Foot Length	Pulley Diameter		
55	60		

BXM1348
ALT 12V 108A MITSU
MAGNA V6 3.0L
Manufacturer: Mitsubishi

MOT60481		Suits: MITSUBISHI	
12v 1.2kw PMGR		Engine: INDUSTRIAL	
			
Dimensions (mm) Note: Both Mt. Holes Threaded Teeth: 14			
Pinion Offset	Mt. Holes Cnt. to Cnt.	Spigot Diameter	Pinion At Rest
yes	105	77	16
Pinion Diameter			
42			

MOT60481
STARTER 12V MITSU IND 14TH
Manufacturer: Mitsubishi

M2T62871		Suits: MITSUBISHI	
12v 2.2kw		Engine:	
			
Dimensions (mm) Teeth: 11			
Pinion Offset	Mt. Holes Cnt. to Cnt.	Spigot Diameter	Pinion At Rest
no	115/142/90	88	41
Pinion Diameter			
35			

M2T62871
STR MIT 12V CCW 2.2KW
Manufacturer: Mitsubishi

M9T60271		Suits: MITSUBISHI INDUSTRIAL	
24v 5.5kw PLGR		Engine: 6D40	
			
Dimensions (mm) Teeth: 11			
Pinion Offset	Mt. Holes Cnt. to Cnt.	Spigot Diameter	Pinion At Rest
n/a	134	100	70
Pinion Diameter			
48			

M9T60271
STARTER MITSU SUIT 6D40
Manufacturers: Fuso,
Mitsubishi

M9T60971		Suits: MITSUBISHI	
24V 5.5KW PLGR		Engine: 6M70	
			
Dimensions Teeth: 11			
Pinion Offset	Mt. Holes Cnt. to Cnt.	Spigot Diameter	Pinion At Rest
no	136	90	58
Pinion Diameter			
48			

M9T60971
STR, MITSU 6M70 5.5 KW
PLANETRY OE
Manufacturer: Mitsubishi

M9T81771		Suits: MITSUBISHI	
24v 7kw		Engine: 6D24,6M70,8DC11,8M2	
			
Dimensions (mm) Teeth: 11			
Pinion Offset	Mt. Holes Cnt. to Cnt.	Spigot Diameter	Pinion At Rest
	134	89	59
Pinion Diameter			
48			

M9T81771
Starter 24v Fuso 6D24/
6M70 PLANETRY
Manufacturer: Mitsubishi

S16500		Suits: MITSUBISHI	
12v 9.0a D/D		Engine: 4G52	
			
Dimensions (mm) Teeth: 9			
Pinion Offset	Mt. Holes Cnt. to Cnt.	Spigot Diameter	Pinion At Rest
n/a	105	77	17
Pinion Diameter			
29			

S16500
STR CHRYSLER 1600 2000
W/AT 1971
Manufacturer: Mitsubishi

S16793		Suits: MITSUBISHI FORKLIFT	
12v 0.9kw D/D		Engine: 4G53	
			
Dimensions (mm) Teeth: 8			
Pinion Offset	Mt. Holes Cnt. to Cnt.	Spigot Diameter	Pinion At Rest
no	105	77	20.5
Pinion Diameter			
29			

S16793
STARTER CLARK FORKLIFT
Manufacturers: Forklift,
Mitsubishi

S16853		Suits: MITSUBISHI DELICA, L300, PAJERO	
12v 2.0kw G/R		Engine: 4D55, 4D56, 4D55-T, 4D56-T	
			
Dimensions (mm) Note: Both Mt. Holes Threaded Teeth: 10			
Pinion Offset	Mt. Holes Cnt. to Cnt.	Spigot Diameter	Pinion At Rest
yes	105	77	3
Pinion Diameter			
40			

S16853
STR.MITSU 4D55/56 DIESELG/R
Manufacturer: Mitsubishi

MITSUBISHI

S16854		CW	Suits: MITSUBISHI PAJERO	
12v 2.0kw		Engine: 4D55, 4D56		
G/R				
				
Dimensions (mm)		Note: Both Mt. Holes Threaded		Teeth: 10
Pinion Offset:	Mt. Holes Cnt. to Cnt.:	Spigot Diameter	Pinion Diameter	Pinion At Rest
yes	105	77	32	10

S16854
STARTER MIT DIESEL 2.2KW
4D55/56
Manufacturer: Mitsubishi

S16939		CW	Suits: HYUNDAI	
12v 1.2kw		Engine: 4G61, 4G63, 4G64		
PMGR				
				
Dimensions (mm)		Teeth: 8		
Pinion Offset:	Mt. Holes Cnt. to Cnt.:	Spigot Diameter	Pinion Diameter	Pinion At Rest
no	105	77	28	18

S16939
STARTER, HYUNDAI, MITSU
PMGR
Manufacturers: Mitsubishi,
Forklift, Hyundai

S16940		CW	Suits: HYUNDAI	
12v 0.9kw		Engine: 4G15/4G13		
D/D				
				
Dimensions (mm)		Teeth: 8		
Pinion Offset:	Mt. Holes Cnt. to Cnt.:	Spigot Diameter	Pinion Diameter	Pinion At Rest
no	105	77	28	16

S16940
STR. MITSU 85-95
COMMON - 8TH
Manufacturers: Mitsubishi,
Hyundai

S17081		CW	Suits: MITSUBISHI EQUIPMENT 1986-93	
12v 2.0kw		Engine: -		
G/R WET				
				
Dimensions (mm)		Teeth: 11		
Pinion Offset:	Mt. Holes Cnt. to Cnt.:	Spigot Diameter	Pinion Diameter	Pinion At Rest
yes	105	82	42	22

S17081
STARTER 12V 11TH MITSU
G/R WET
Manufacturers: Mitsubishi,
Forklift

S17096		CW	Suits: CLARK FORKLIFT	
12v 2.2kw		Engine: K3D, K4D, K4E, 325D		
G/R				
				
Dimensions (mm)		Teeth: 13		
Pinion Offset:	Mt. Holes Cnt. to Cnt.:	Spigot Diameter	Pinion Diameter	Pinion At Rest
no	118	77	40	28

S17096
STARTER 12V MITSUBISHI
INDUSTRIAL
Manufacturers: Forklift,
Mitsubishi

S17097		CW	Suits: KOMATSU, MITSUBISHI FORKLIFTS	
12v 1.6kw		Engine: L2E, L2A		
OSGR				
				
Dimensions (mm)		Note: Both ML Holes Threaded		Teeth: 15
Pinion Offset:	Mt. Holes Cnt. to Cnt.:	Spigot Diameter	Pinion Diameter	Pinion At Rest
yes	104	77	45	17

S17097
SUIT KOMATSU FORKLIFT
Manufacturers: Forklift,
Komatsu, Mitsubishi

S17131		CW	Suits: MITSUBISHI 1990-95	
12v 1.2kw		Engine: 6G71, 6G72, 6G73		
PMGR				
				
Dimensions (mm)		Note: Both Mt. Holes Threaded		Teeth: 8
Pinion Offset:	Mt. Holes Cnt. to Cnt.:	Spigot Diameter	Pinion Diameter	Pinion At Rest
no	97	78	28	17

S17131
STR. MITSU 1990-95 3.0L V6
Manufacturer: Mitsubishi

S17141		CW	Suits: MITSUBISHI TRACTOR	
12v 1.4kw		Engine: VARIOUS		
G/R				
				
Dimensions (mm)		Teeth: 15		
Pinion Offset:	Mt. Holes Cnt. to Cnt.:	Spigot Diameter	Pinion Diameter	Pinion At Rest
yes	118	76	45	29

S17141
STARTER MITSUBISHI 15TH
TRACTOR
Manufacturer: Mitsubishi

S17177		CW	Suits: MITSU FORKLIFT	
12v 10th		Engine:		
				
Dimensions (mm)		Teeth: 10		
Pinion Offset:	Mt. Holes Cnt. to Cnt.:	Spigot Diameter	Pinion Diameter	Pinion At Rest
	106	77	31	19

S17177
STARTER MITSU FORKLIFT
10TH PMGR
Manufacturers: Doosan,
Mitsubishi, Forklift

MITSUBISHI

S17217		CW	Suits: HYUNDAI	
12v 1.4kw			Engine: 6G72, 1.6L, 2.0L	
PMGR				
				
Dimensions (mm) Note: Both Mt. Holes Threaded Teeth: 8				
Pinion Offset:	Mt. Holes Cnt. to Cnt.	Spigot Diameter	Pinion Diameter	Pinion At Rest
no	105	77	28	10

S17217
STR.MITSI 2.0L 2.4L 1991-99
8TH PMGR
Manufacturers: Mitsubishi,
Hyundai

S17244		CW	Suits: FORD AG TRACTOR	
12v 1.2kw			Engine: 3-77, 3-81, 3-85 DIESEL	
G/R				
				
Dimensions (mm) Teeth: 11				
Pinion Offset:	Mt. Holes Cnt. to Cnt.	Spigot Diameter	Pinion Diameter	Pinion At Rest
yes	111	74	34	19

S17244
STARTER MITSI G/R FORD/
MIT 3CYL
Manufacturers: Ford,
Mitsubishi

S17288		CW	Suits: HYUNDAI	
12v 0.9kw			Engine: 4G12, 4G15, 4G32	
D/D				
				
Dimensions (mm) Note: Both Mt. Holes Threaded Teeth: 8				
Pinion Offset:	Mt. Holes Cnt. to Cnt.	Spigot Diameter	Pinion Diameter	Pinion At Rest
no	105	77	28	10

S17288
STR.MITSI / HYUNDAI
Manufacturers: Mitsubishi,
Hyundai

S17566		CW	Suits: MITSUBISHI	
12v 1.4kw			Engine: 3.0L V6	
PMGR				
				
Dimensions (mm) Note: Comes with Shield Teeth: 8				
Pinion Offset:	Mt. Holes Cnt. to Cnt.	Spigot Diameter	Pinion Diameter	Pinion At Rest
no	98	73	28	14

S17566
STR.MITSI V6 3.0L C/W SHIELD
Manufacturer: Mitsubishi

S17732		CW	Suits: MITSUBISHI	
12v 0.8kw			1995-03	
D/D			Engine: 1.3 - 1.8L	
				
Dimensions (mm) Teeth: 8				
Pinion Offset:	Mt. Holes Cnt. to Cnt.	Spigot Diameter	Pinion Diameter	Pinion At Rest
no	105	77	28	10

S17732
STARTER 12V SUIT MITSI 95-03
Manufacturer: Mitsubishi

S17772		CW	Suits: MITSUBISHI MIRAGE	
12v 1.2kw			1998-99	
PMGR			Engine: 1.5 - 1.8L	
				
Dimensions (mm) Teeth: 8				
Pinion Offset:	Mt. Holes Cnt. to Cnt.	Spigot Diameter	Pinion Diameter	Pinion At Rest
no	105	77	28	11

S17772
STARTER MIT PMGR MIRAGE
98-2002
Manufacturer: Mitsubishi

S17795		CW	Suits: MITSUBISHI 1998-00	
12v 1.2kw			Engine: V6	
PMGR				
				
Dimensions (mm) Teeth: 8				
Pinion Offset:	Mt. Holes Cnt. to Cnt.	Spigot Diameter	Pinion Diameter	Pinion At Rest
no	95	71	28	12

S17795
STARTER 12V MITSI PMGR
V6 98-00
Manufacturer: Mitsubishi

S17796		CW	Suits: MITSUBISHI	
12v 1.4kw			Engine: 2.4L	
PMGR				
				
Dimensions (mm) Teeth: 9				
Pinion Offset:	Mt. Holes Cnt. to Cnt.	Spigot Diameter	Pinion Diameter	Pinion At Rest
no	105	77	35	7

S17796
STR,PMGR, MITSI, PAJERO
2.4L,PETROL
Manufacturer: Mitsubishi

S18164P		CW	Suits: CATERPILLAR, KOBELCO	
24v 5.5kw			1995-	
Planetary			Engine: MITSUBISHI	
				
Dimensions (mm) Teeth: 13				
Pinion Offset:	Mt. Holes Cnt. to Cnt.	Spigot Diameter	Pinion Diameter	Pinion At Rest
yes	104/104/144	100	47.5	23

S18164P
STR 24V MITSI 3 HOLE 5.5
PLANETRY
Manufacturers: Forklift,
Kobelco, Mitsubishi, Caterpillar

MITSUBISHI

S18246		CW	Suits: CATERPILLAR	
24v 5kw			Engine: MITSUBISHI S6E, S6S	
PLGR				
				
Dimensions (mm)		Teeth: 10		
Pinion Offset: no	Mt. Holes Cnt. to Cnt. 115/105/105	Spigot Diameter 82	Pinion Diameter 39	Pinion At Rest 22

S18246
STARTER 24V 10TH
CATAPILLAR WET
Manufacturers: Forklift,
Mitsubishi, Caterpillar

S18539		CW	Suits: KOBELCO, MITSUBI IND	
24v 4.2kw			Engine: 4D33, 4D34, 6D31, 6D34	
				
Dimensions (mm)		Teeth: 11		
Pinion Offset:	Mt. Holes Cnt. to Cnt. 144	Spigot Diameter 100	Pinion Diameter 40	Pinion At Rest 22

S18539
STARTER MITSUBI 24V PLTRY
6D34- KOBELCO
Manufacturers: Kobelco,
Mitsubishi

S18963		CW	Suits: MITSUBISHI/FUSO	
24v 5.5kw			Engine: 6D22	
PLGR				
				
Dimensions		Teeth 11		
Pinion Offset: yes	Mt. Holes Cnt. to Cnt. 133/148/109	Spigot Diameter 100	Pinion Diameter 47	Pinion At Rest 68

S18963
STARTER 6D22 24V 5.5KW
PLANETRY TYPE
Manufacturers: Fuso,
Mitsubishi

S18971		CW	Suits: MITSUBISHI FUSO CANTER	
12V 3.6kw			Engine: 4D33 4D34	
PLGR				
				
Dimensions (mm)		Teeth 9		
Pinion Offset: yes	Mt. Holes Cnt. to Cnt. 145	Spigot Diameter 60	Pinion Diameter 35	Pinion At Rest 18

S18971
STR 12V 3.6KW CANTER
PLGR...
Manufacturers: Mitsubishi,
Fuso

S19037		CW	Suits: MITSUBISHI LANCER OUTLANDER	
12v 1.4kw			Engine: 2L, 2.4L	
				
Dimensions (mm)		Teeth 8		
Pinion Offset: yes	Mt. Holes Cnt. to Cnt. 94	Spigot Diameter 70	Pinion Diameter 26	Pinion At Rest 24

S19037
STARTER MITSUBI PMGR
1.4KW 12V CW
Manufacturer: Mitsubishi

S19719		CW	Suits: MITSUBISHI	
12V 2.8KW			Engine: S4S, S6S	
				
Dimensions (mm)		Teeth 10		
Pinion Offset: NO	Mt. Holes Cnt. to Cnt. 114	Spigot Diameter 82	Pinion Diameter 38	Pinion At Rest 24

S19719
STARTER S4S/ S6S 12V 2.8KW
10TH G/R
Manufacturers: Mitsubishi,
Forklift

S2059		CW	Suits: MITSUBISHI	
24v 5.5kw			Engine: 6D10, 6D16, 6D17	
G/R				
				
Dimensions (mm)		Teeth: 11		
Pinion Offset: no	Mt. Holes Cnt. to Cnt. 153	Spigot Diameter 110	Pinion Diameter 41	Pinion At Rest 68

S2059
STR 24V SUIT MITSUBI 6D10/16
Manufacturer: Mitsubishi



S2062M			Suits: MITSUBISHI, FUSO	
24v 5.5kw			Engine: 6D22, 6D20, 6D22-T	
				
Dimensions (mm)		Teeth: 13		
Pinion Offset:	Mt. Holes Cnt. to Cnt. 147x109x134	Spigot Diameter 100	Pinion Diameter 54	Pinion At Rest 70

S2062M
STARTER SUIT 6D22 G/R MD
Manufacturers: Fuso,
Mitsubishi

S2062U		CW	Suits: MITSUBISHI FUSO	
24v 6.0kw			Engine: 6D22 6D20 6D22-T	
G/R				
				
Dimensions (mm)		Teeth 13		
Pinion Offset: n/a	Mt. Holes Cnt. to Cnt. 148 x 109 x 134	Spigot Diameter 100	Pinion Diameter 56	Pinion At Rest 70

S2062U
STARTER N DENSO 24V
SUIT 6D22
Manufacturers: Fuso,
Mitsubishi, Kobelco

MITSUBISHI

S32354		CW	Suits: MITSUBISHI		
12v 1.0kw		Engine: 6A11 6A12			
PMGR					
					
Dimensions (mm)		Teeth: 8			
Pinion Offset:	Mt. Holes Cnt. to Cnt.	Spigot Diameter	Pinion Diameter	Pinion At Rest	
n/a	105	74	28	15	

S32354
STR MITSU 12V PMGR
Manufacturer: Mitsubishi

S32607		CW	Suits: MITSUBISHI		
12v 0.9kw		Engine: 1600, 1800, 2000 cc			
D/D					
					
Dimensions (mm)		Teeth: 8			
Pinion Offset:	Mt. Holes Cnt. to Cnt.	Spigot Diameter	Pinion Diameter	Pinion At Rest	
n/a	105	77	26.5	10	

S32607
MITSU STR 8TH OFFSET
Manufacturer: Mitsubishi

S32694		CW	Suits: MITSUBISHI GALANT		
12v 1.4kw		V6 2.5L			
PMGR		Engine: 6A12, 6A13			
					
Dimensions (mm)		Teeth: 8			
Pinion Offset:	Mt. Holes Cnt. to Cnt.	Spigot Diameter	Pinion Diameter	Pinion At Rest	
n/a	105	74	28	9	

S32694
STR 12V PMGR MITSU 1THRD
1PLN 8TH
Manufacturer: Mitsubishi

S5071U		CW	Suits: MITSUBISHI FUSO		
24v 6.0kw		Engine: 8DC V8 DIESEL			
G/R					
					
Dimensions (mm)		Teeth: 13			
Pinion Offset:	Mt. Holes Cnt. to Cnt.	Spigot Diameter	Pinion Diameter	Pinion At Rest	
yes	134 x 119 x 118	100	56	58	

S5071U
STR, 24V 5.5KW NDGR
MITSU V8
Manufacturers: Fuso,
Mitsubishi

S5072		CW	Suits: MITSUBISHI V8		
24v 7.0kw		Engine: 8DC			
G/R					
					
Dimensions (mm)		Teeth: 12			
Pinion Offset:	Mt. Holes Cnt. to Cnt.	Spigot Diameter	Pinion Diameter	Pinion At Rest	
yes	135/119/118	100	53	58	

S5072
STARTER MITSU 7KW PLGR
8DC93-10
Manufacturer: Mitsubishi

S5074		CW	Suits: MITSUBISHI		
24v 6.0kw		Engine: 6D40			
PMGR					
					
Dimensions (mm)		Teeth: 13			
Pinion Offset:	Mt. Holes Cnt. to Cnt.	Spigot Diameter	Pinion Diameter	Pinion At Rest	
no	133/126/139	102	55	71	

S5074
STARTER MITSUBISHI 6D40
24V 6KW
Manufacturer: Mitsubishi

S6034		CW	Suits: MITSUBISHI FORKLIFT		
12v 2.0kw		Engine: S4S, 4DQ			
G/R					
					
Dimensions (mm)		Teeth: 10			
Pinion Offset:	Mt. Holes Cnt. to Cnt.	Spigot Diameter	Pinion Diameter	Pinion At Rest	
yes	115	82	38	22	

S6034
STARTER 12V G/R S4S 4DQ 2KW
Manufacturers: Forklift,
Mitsubishi

S6034HD		CW	Suits: MITSUBISHI FORKLIFT (HEAVY DUTY)		
12v 2.2 kw		Engine: S4S, 4DQ			
PLGR					
					
Dimensions (mm)		Teeth: 10			
Pinion Offset:	Mt. Holes Cnt. to Cnt.	Spigot Diameter	Pinion Diameter	Pinion At Rest	
no	115	82.5	38	24	

S6034HD
STARTER MITSU S4S 12V PLGR
TYPE H/D
Manufacturers: Mitsubishi,
Forklift

**NO
IMAGE
AVAILABLE**

S6036
STARTER MITSU 12V 9T
Manufacturer: Mitsubishi

MITSUBISHI

S6040		CW	Suits: MITSUBISHI, PAJERO CANTER		
12v 2.0kw			Engine: 4M40		
PLGR					
					
Dimensions (mm)		Teeth: 10			
Pinion Offset:	Mt. Holes Cnt. to Cnt.	Spigot Diameter	Pinion Diameter	Pinion At Rest	
no	114	77	33	10	

S6040
STARTER 12V MITSU SUIT
4M40 4M41
Manufacturer: Mitsubishi

S6133		CW	Suits: MITSUBISHI CANTER		
24v 3.2kw			Engine: 4DR30, 4DR5		
G/R					
					
Dimensions (mm)		Teeth: 9			
Pinion Offset:	Mt. Holes Cnt. to Cnt.	Spigot Diameter	Pinion Diameter	Pinion At Rest	
no	145/105/105	100	35	23	

S6133
STARTER 24V G/R M2T64271
Manufacturer: Mitsubishi

S6134		CW	Suits: MITSUBISHI 1973-82		
12v 2.0kw			Engine: -		
G/R					
					
Dimensions (mm)		Teeth: 11			
Pinion Offset:	Mt. Holes Cnt. to Cnt.	Spigot Diameter	Pinion Diameter	Pinion At Rest	
no	105/105/144	100	34	22	

S6134
STARTER 12V MITSU G/R
11TH REP P/E
Manufacturer: Mitsubishi

S6137		CW	Suits: MITSUBISHI CANTER		
24v 3.7kw			Engine: 4D33, 4D34		
PLGR					
					
Dimensions (mm)		Teeth: 9			
Pinion Offset:	Mt. Holes Cnt. to Cnt.	Spigot Diameter	Pinion Diameter	Pinion At Rest	
no	145	60	35	18	

S6137
STARTER 24V MITSUBISHI
PLGR CANTER 4D33
Manufacturer: Mitsubishi

S6138		CW	Suits: MITSUBISHI CANTER		
24v 3.2kw			Engine: 4D30/31/32/34, 4DR5		
G/R					
					
Dimensions (mm)		Teeth: 9			
Pinion Offset:	Mt. Holes Cnt. to Cnt.	Spigot Diameter	Pinion Diameter	Pinion At Rest	
no	144	60	35	17	

S6138
STARTER 24V 3.2 G/R CANTER
Manufacturers: Fuso,
Mitsubishi

S6144		CW	Suits: MITSUBISHI FORKLIFT, FD25, FD30, FD35 (see S6048 for 12v)		
24v 3.2kw			Engine: S4E		
G/R					
					
Dimensions (mm)		Teeth: 11			
Pinion Offset:	Mt. Holes Cnt. to Cnt.	Spigot Diameter	Pinion Diameter	Pinion At Rest	
yes	105	82	42	22	

S6144
STARTER 24V G/R SUIT MIT
Manufacturers: Forklift,
Mitsubishi

S6145		CW	Suits: MITSUBISHI		
24v 5.0kw			Engine: 6D31		
G/R					
					
Dimensions (mm)		Teeth: 11			
Pinion Offset:	Mt. Holes Cnt. to Cnt.	Spigot Diameter	Pinion Diameter	Pinion At Rest	
no	145	100	40	23	

S6145
STARTER 24V G/R 6D31
Manufacturer: Mitsubishi

S6182		CW	Suits: MITSUBISHI FORKLIFT		
24v 5.0kw			Engine: S6E, 4DQ		
G/R					
					
Dimensions (mm)		Teeth: 10			
Pinion Offset:	Mt. Holes Cnt. to Cnt.	Spigot Diameter	Pinion Diameter	Pinion At Rest	
yes	104	82	39	22	

S6182
STARTER 24V 5.0KW S6E 4DQ
Manufacturers: Forklift,
Mitsubishi, Caterpillar

S7040		CW	Suits: MITSUBISHI - Late Model		
12v 2.0kw			Engine: 4D56		
PLGR					
					
Dimensions (mm)		Note: Mt. Holes Threaded		Teeth: 10	
Pinion Offset:	Mt. Holes Cnt. to Cnt.	Spigot Diameter	Pinion Diameter	Pinion At Rest	
no	105	77	30	3	

S7040
STARTER MITSU
4D56,4D68,LATE DIESEL
Manufacturer: Mitsubishi

MITSUBISHI

S7107		CW	Suits: MITSUBISHI CANTER		
24v 5.0kw			Engine: 6D17		
PMGR					
					
Dimensions (mm)			Teeth: 11		
Pinion Offset:	Mt. Holes Cnt. to Cnt.	Spigot Diameter	Pinion Diameter	Pinion At Rest	
no	152	110	40	67	

S7107
STARTER MITSU 24V PLANETRY 6D17
Manufacturer: Mitsubishi

S9004		CW	Suits: MITSUBISHI		
24v 4.5kw			Engine: 6D31		
G/R					
					
Dimensions (mm)			Teeth: 11		
Pinion Offset:	Mt. Holes Cnt. to Cnt.	Spigot Diameter	Pinion Diameter	Pinion At Rest	
no	144	100	40	21	

S9004
STR 24V 11TH SUIT MITSU 6D31 H.D
Manufacturer: Mitsubishi

S9097		G/R	Suits: KATO, MITSU IND		
24v 4.5kw			Engine:		
					
Dimensions (mm)			Teeth: 11		
Pinion Offset:	Mt. Holes Cnt. to Cnt.	Spigot Diameter	Pinion Diameter	Pinion At Rest	
no	109x113x143	99	40	21	

S9097
STR 24V ND G/R 4.5KW SUIT KATO
Manufacturer: Mitsubishi

NISSAN

A11341		Suits: NISSAN MAXIMA, MURANO	
12V 130A		Engine: 3.5L V6	
			
Dimensions			Note: -
Adj. Hole Diameter	Pivot Hole Diameter	Adj. to Pivot	Leg/Foot Length
6	10	174	77
			Pulley Diameter
			55
			Number of Grooves
			7

A11341
ALT MAXIMA/MURANO LATE
Manufacturer: Nissan

A11343		Suits: NISSAN TIIDA	
12v 110a		Engine: MR20DE, MR18 DE	
			
Dimensions			Note: C/W ORC Pulley
Adj. Hole Diameter	Pivot Hole Diameter	Adj. to Pivot	Leg/Foot Length
8	8	127	57 x 2
			Pulley Diameter
			50
			Number of Grooves
			6

A11343
ALT, TIIDA, NISSAN SENTRA 07-08 110A with c/p
Manufacturer: Nissan

A12136		Suits: NISSAN FORKLIFT	
12v 40a I/R		Engine:	
			
Dimensions (mm)			
Adj. Hole Diameter	Pivot Hole Diameter	Adj. to Pivot	Leg/Foot Length
8	8	154	81
			Pulley Diameter
			74
			Number of Grooves
			1-V

A12136
ALTERNATOR NISSAN FORK 12V 40A
Manufacturers: Nissan, Forklift

NISSAN

A12153
12v 50AMP

Suits: NISSAN LIFT TRUCKS
Engine: H15, H20, H25



Dimensions (mm)					
Adj. Hole Diameter	Pivot Hole Diameter	Adj. to Pivot	Leg/Foot Length	Pulley Diameter	Number of Grooves
M6	8	156	80	69	1-v

Note: -

A12153
Alternator 12v 50a suit TCM
Manufacturer: Nissan

A12324
24v
35a I/R

Suits: NISSAN
Engine: INDUSTRIAL



Dimensions (mm)					
Adj. Hole Diameter	Pivot Hole Diameter	Adj. to Pivot	Leg/Foot Length	Pulley Diameter	Number of Grooves
8	10	175	80	84	2-V

A12324
ALT NISSAN 24v.. W/L AND
IGN REG
Manufacturers: Hitachi, Nissan

A13250
12v 70a
I/R

Suits: NISSAN PULSAR,
SENTRA 1989-90
Engine: GA16, GA18

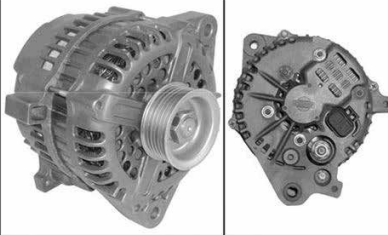


Dimensions (mm)					
Adj. Hole Diameter	Pivot Hole Diameter	Adj. to Pivot	Leg/Foot Length	Pulley Diameter	Number of Grooves
6	10	175	81,5	64	4

A13250
ALT.NISSAN ...NOW a13334 +
W145-38 ADAPT.
Manufacturer: Nissan

A13261
12v
85a

Suits: NISSAN INFINITI
Engine: Q45 - 4.5L



Dimensions (mm)					
Adj. Hole Diameter	Pivot Hole Diameter	Adj. to Pivot	Leg/Foot Length	Pulley Diameter	Number of Grooves
8	10	158	65	59	6

A13261
ALT.INFINITI Q45 4.5L
Manufacturer: Nissan

A13273
12v 80a
I/R

Suits: NISSAN CEDRIC, CEFIRO,
MAXIMA, SKYLINE, SX
Engine: 240SX, RB20DET

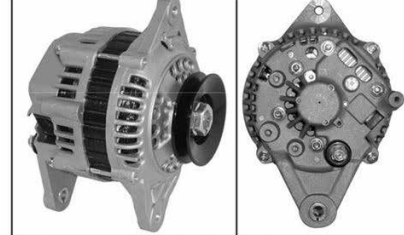


Dimensions (mm)					
Adj. Hole Diameter	Pivot Hole Diameter	Adj. to Pivot	Leg/Foot Length	Pulley Diameter	Number of Grooves
6	10	174	81	74	4

A13273
ALT.NISSAN 240SX 1991-94
Manufacturer: Nissan

A13285
12v
70a

Suits: NISSAN PATHFINDER
PICKUP 1990
Engine: D21




Dimensions (mm)					
Adj. Hole Diameter	Pivot Hole Diameter	Adj. to Pivot	Leg/Foot Length	Pulley Diameter	Number of Grooves
6	8	174	82	78	1-V

A13285
ALT.NISSAN PATHFINDER
PICKUP1990
Manufacturer: Nissan

A13324
12v
70a I/R

Suits: NISSAN 300ZX, FAIRLADY,
GLORIA, MAXIMA, TERRANO
Engine: VG30DE

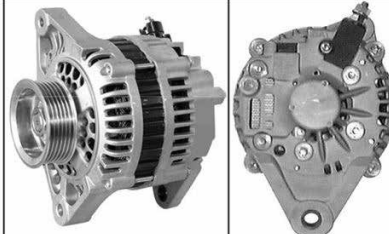


Dimensions (mm)					
Adj. Hole Diameter	Pivot Hole Diameter	Adj. to Pivot	Leg/Foot Length	Pulley Diameter	Number of Grooves
6	10	167	80	64	4

A13324
ALT.NISSAN 300ZX 1990-93
WO/TURBO
Manufacturer: Nissan

A13329
12v 80a
I/R

Suits: NISSAN GAZELLE, PRIMERA
PULSAR, SENTRA, SUNNY, SILVIA
Engine: SR18, SR20



Dimensions (mm)					
Adj. Hole Diameter	Pivot Hole Diameter	Adj. to Pivot	Leg/Foot Length	Pulley Diameter	Number of Grooves
6	10	165	80	71	6

A13329
ALTERNATOR SR20 NISSAN
1991-98
Manufacturer: Nissan

A13334
12v
70a I/R

Suits: NISSAN EXA, NX,
PULSAR, SENTRA
Engine: GA16DE



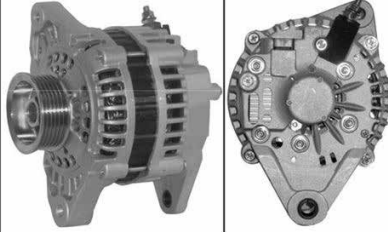
Dimensions (mm)					
Adj. Hole Diameter	Pivot Hole Diameter	Adj. to Pivot	Leg/Foot Length	Pulley Diameter	Number of Grooves
6	10	167	80	64	4

A13334
ALT.NISSAN NX SENTRA
1991-94
Manufacturer: Nissan

NISSAN

A13474
12v
70a I/R

Suits: NISSAN ALTIMA
1992-94
Engine: 2.4L




Dimensions (mm)					
Adj. Hole Diameter	Pivot Hole Diameter	Adj. to Pivot	Leg/Foot Length	Pulley Diameter	Number of Grooves
6	10	164	80	63	6

A13474
ALT.NISSAN ALTIMA 2.4L
1992-94
Manufacturer: Nissan

A13477
12v
95a I/R

Suits: NISSAN MAXIMA
1992-94
Engine: 3.0L



Dimensions (mm)					
Adj. Hole Diameter	Pivot Hole Diameter	Adj. to Pivot	Leg/Foot Length	Pulley Diameter	Number of Grooves
6	8	158	80	65	5

A13477
ALT.NISSAN MAXIMA 12V
95AMP
Manufacturer: Nissan

A13533
12v
70a I/R

Suits: NISSAN PATHFINDER
1991-94
Engine: VG30E

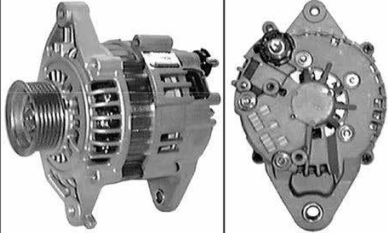


Dimensions (mm)					
Adj. Hole Diameter	Pivot Hole Diameter	Adj. to Pivot	Leg/Foot Length	Pulley Diameter	Number of Grooves
6.5	8	168.5	82	78	1-V

A13533
NOW USE A13285
Manufacturer: Nissan

A13637
12v
70a I/R

Suits: NISSAN SENTRA
Engine: GA13DE, GA15DE, GA16DE




Dimensions (mm)					
Adj. Hole Diameter	Pivot Hole Diameter	Adj. to Pivot	Leg/Foot Length	Pulley Diameter	Number of Grooves
6	10	166	82	64	6

A13637
ALT.NISSAN SENTRA &
200SX 1.6L GA15
Manufacturer: Nissan

A13637CP
12v
75a I/R

Suits: NISSAN
Engine: -




Dimensions (mm)					
Adj. Hole Diameter	Pivot Hole Diameter	Adj. to Pivot	Leg/Foot Length	Pulley Diameter	Number of Grooves
6	10	168	80	59	7

Note: Clutch Pulley

A13637CP
ALT.NISSAN ZD30...inc O.R.C.
Manufacturer: Nissan

A13638
12v
90a I/R

Suits: NISSAN PATHFINDER
1996-97 (HITACHI)
Engine: 3.3L



Dimensions (mm)					
Adj. Hole Diameter	Pivot Hole Diameter	Adj. to Pivot	Leg/Foot Length	Pulley Diameter	Number of Grooves
10	10	156	81	67	6

A13638
ALT.HIT 90A PATHFINDER
Manufacturer: Nissan

A13639
12v
110a I/R

Suits: NISSAN MAXIMA &
CEFIRO 1994-96
Engine: VQ20DE, VQ25DE, VQ30DE

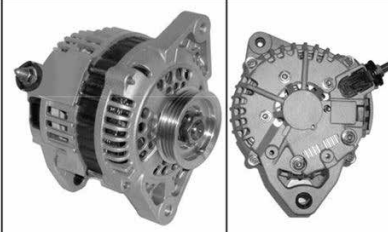


Dimensions (mm)					
Adj. Hole Diameter	Pivot Hole Diameter	Adj. to Pivot	Leg/Foot Length	Pulley Diameter	Number of Grooves
6	10?	160?	82	69	6

A13639
ALT.NISSAN MAXIMA, CEFIRO.
A32.A33
Manufacturer: Nissan

A13641
12v
80a I/R

Suits: NISSAN 1995-97
Engine: 240SX



Dimensions (mm)					
Adj. Hole Diameter	Pivot Hole Diameter	Adj. to Pivot	Leg/Foot Length	Pulley Diameter	Number of Grooves
6	10	165	80	65	4

A13641
ALT.NISSAN 240SX 1995-97
Manufacturer: Nissan

A13705
12v
110a I/R

Suits: NISSAN
Engine: TD27, TD32, TD42,
QD32, VG33



Dimensions (mm)					
Adj. Hole Diameter	Pivot Hole Diameter	Adj. to Pivot	Leg/Foot Length	Pulley Diameter	Number of Grooves
6	8	176	82	69	1V

A13705
ALT, 12v 110A NISSAN,
PATHFINDER ETC L,S.
Manufacturer: Nissan

NISSAN

A13705D
12v
110a I/R

Suits: NISSAN PATHFINDER
Engine: QD32

Dimensions (mm)					
Adj. Hole Diameter	Pivot Hole Diameter	Adj. to Pivot	Leg/Foot Length	Pulley Diameter	Number of Grooves
6	10	175	80	85	2-V

A13705D
ALTERNATOR NISSAN
PATHFINDER 110A DOUBLE
PULLEY
Manufacturer: Nissan

A13712
12v
110a I/R

Suits: NISSAN MAXIMA
(LATE)
Engine: -

Dimensions (mm)					
Adj. Hole Diameter	Pivot Hole Diameter	Adj. to Pivot	Leg/Foot Length	Pulley Diameter	Number of Grooves
6	10	158	80	63	6

A13712
ALT 3 PIN SUIT MAXIMA LATE
Manufacturer: Nissan

A13760
12v
100a

Suits: NISSAN
Engine: -

Dimensions (mm)					
Adj. Hole Diameter	Pivot Hole Diameter	Adj. to Pivot	Leg/Foot Length	Pulley Diameter	Number of Grooves
9	11	166	80	55	6

A13760
ALTERNATOR NISSAN PRESAGE
KA24DE 100A
Manufacturer: Nissan

A13900
12v
110a I/R

Suits: NISSAN PATHFINDER
Engine: 3.5L

Dimensions (mm)					
Adj. Hole Diameter	Pivot Hole Diameter	Adj. to Pivot	Leg/Foot Length	Pulley Diameter	Number of Grooves
6	10	155	80	60	6

A13900
ALT, 12V 110A NISSAN,
VQ35DE
Manufacturer: Nissan

A14241
12v
70a I/R

Suits: NISSAN PULSAR, STANZA
Engine: CA16DE, CA18DE, CA20E

Dimensions (mm)					
Adj. Hole Diameter	Pivot Hole Diameter	Adj. to Pivot	Leg/Foot Length	Pulley Diameter	Number of Grooves
6.25	10	177	81.5	63 &	4 & 6

Note: Thin D/E Housing

A14241
ALTERNATOR IF/IR NISSAN
CA18
Manufacturer: Nissan

A14242
12v
80a I/R

Suits: NISSAN BLUEBIRD,
SKYLINE
Engine: CA18, CA20

Dimensions (mm)					
Adj. Hole Diameter	Pivot Hole Diameter	Adj. to Pivot	Leg/Foot Length	Pulley Diameter	Number of Grooves
6	10	174	80	63 & 67	4 & 6

Note: Thick D/E Housing

A14242
ALT HITACHI IR/IF CA18
Manufacturer: Nissan

A14244
12v
70a I/R

Suits: NISSAN BLUEBIRD,
Engine: GA16, GA18, GA20

Dimensions (mm)					
Adj. Hole Diameter	Pivot Hole Diameter	Adj. to Pivot	Leg/Foot Length	Pulley Diameter	Number of Grooves
6	10	178	81.5	67.5	2-V

A14244
ALTERNATOR NISSAN IF/IR
Manufacturer: Nissan

A14255
12V 60A

Suits: NISSAN
Engine: -

Dimensions (mm)					
Adj. Hole Diameter	Pivot Hole Diameter	Adj. to Pivot	Leg/Foot Length	Pulley Diameter	Number of Grooves
8	10	175	80	69	1V

A14255
ALTERNATOR NISSAN
EF/IR 60A L&S
Manufacturer: Nissan

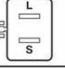


A14661
12v
90a I/R

Suits: NISSAN CEDRIC,
MAXIMA
Engine: VG20E, VG20ET


Dimensions (mm)					
Adj. Hole Diameter	Pivot Hole Diameter	Adj. to Pivot	Leg/Foot Length	Pulley Diameter	Number of Grooves
6	8	173	80	69	4

A14661
ALT IR/IF SUIT NISSAN
MAXIMA VG30
Manufacturer: Nissan

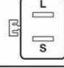


NISSAN

A14663 12v 70a I/R				Suits: NISSAN NAVARA, SAFARI, PATHFINDER, TERRENO Engine: TD27, TD42	
					
Dimensions (mm) Note: 50cc Vac Pump					
Adj. Hole Diameter	Pivot Hole Diameter	Adj. to Pivot	Leg/Foot Length	Pulley Diameter	Number of Grooves
6	10	173	80	84	2-V

A14663
ALT HIT 70A VAC DBL PUL
NISSAN TD27
Manufacturer: Nissan

A14664 24v 35a I/R				Suits: NISSAN SAFARI, PATROL Engine: TD42	
					
Dimensions (mm) Note: 50cc Vac Pump					
Adj. Hole Diameter	Pivot Hole Diameter	Adj. to Pivot	Leg/Foot Length	Pulley Diameter	Number of Grooves
6	10	173	80	84	2-V

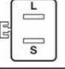

A14664
ALT, TD42 24V LG VAC D/P
Manufacturer: Nissan

A1466470 24v 70a I/R				Suits: NISSAN SPECIAL (HI OUTPUT) Engine: TD42	
					
Dimensions (mm)					
Adj. Hole Diameter	Pivot Hole Diameter	Adj. to Pivot	Leg/Foot Length	Pulley Diameter	Number of Grooves
6	10	178	80	83	2-V

A1466470
ALTERNATOR 24V 70A
SPECIAL TD42
Manufacturer: Nissan

A14665 12v 60a I/R				Suits: NISSAN Engine: SD22, SD23, SD25, LD20	
					
Dimensions (mm) Note: 30cc Vac Pump					
Adj. Hole Diameter	Pivot Hole Diameter	Adj. to Pivot	Leg/Foot Length	Pulley Diameter	Number of Grooves
6	10	175	80	78	2-V

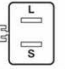

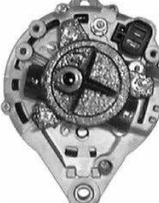
A14665
REPLACE WITH A14663
IF ROOM
Manufacturer: Nissan

A14666 12v 90a I/R				Suits: NISSAN PATHFINDER Engine: TD27, TD42	
					
Dimensions (mm) Note: 50cc Vac Pump					
Adj. Hole Diameter	Pivot Hole Diameter	Adj. to Pivot	Leg/Foot Length	Pulley Diameter	Number of Grooves
6	10	173	80	84	2-V

A14666
ALT 12V 90A 50CC PMP
SUIT NISSAN
Manufacturer: Nissan

A14719 12v 75a I/R				Suits: NISSAN SENTRA, PULSAR 1986-88 Engine: -	
					
Dimensions (mm) CORE EXCHANGE					
Adj. Hole Diameter	Pivot Hole Diameter	Adj. to Pivot	Leg/Foot Length	Pulley Diameter	Number of Grooves
6	10	174	80	65	4

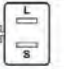


A14719
ALT. NISSAN SENTRA
PULSAR1986-88
Manufacturer: Nissan

A14753 12v 70a I/R				Suits: NISSAN LAUREL, SENTRA, PULSAR, LANGLEY Engine: RD28	
					
Dimensions (mm) Note: Some adj. brackets maybe threaded					
Adj. Hole Diameter	Pivot Hole Diameter	Adj. to Pivot	Leg/Foot Length	Pulley Diameter	Number of Grooves
8	10	174	80	74	1-V

A14753
ALT 70A, SUIT RD28/CD17..
NISSAN
Manufacturer: Nissan

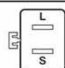
A14754 12v 70a I/R				Suits: NISSAN VANETTE Engine: LD20	
					
Dimensions (mm) CORE EXCHANGE					
Adj. Hole Diameter	Pivot Hole Diameter	Adj. to Pivot	Leg/Foot Length	Pulley Diameter	Number of Grooves
6	10	176	80	94	1-V

A14754
ALT 12V 70A LD20 LGE
SP & PMP
Manufacturer: Nissan

A14755 12v 90a I/R				Suits: NISSAN CERINA Engine: CD20T	
					
Dimensions (mm) CORE EXCHANGE					
Adj. Hole Diameter	Pivot Hole Diameter	Adj. to Pivot	Leg/Foot Length	Pulley Diameter	Number of Grooves
6.5	10	158	82	83	1-V

A14755
ALT 90A LGE PMP
CD20T LR190-
Manufacturer: Nissan

NISSAN

A14979 12v 70a I/R			Suits: NISSAN Engine: RB20
			
Dimensions (mm)			
Adj. Hole Diameter	Pivot Hole Diameter	Adj. to Pivot	Leg/Foot Length
6	10	175	81
Pulley Diameter	Number of Grooves		
70	4		

A14979
ALT.NISSAN 70A RB20 1987-88
Manufacturer: Nissan

A17417 12v 70a I/R			Suits: NISSAN AVENIR, VANETTE Engine: CD20
			
Dimensions (mm)			
Adj. Hole Diameter	Pivot Hole Diameter	Adj. to Pivot	Leg/Foot Length
8.5	10	174	80
Pulley Diameter	Number of Grooves		
83	1-V		



A17417
ALTERNATOR CD20 SML
PMP S/PLY
Manufacturer: Nissan

A17418 12v 70AMP		Suits: NISSAN Engine: CD20	
			
Dimensions (mm)			
Adj. Hole Diameter	Pivot Hole Diameter	Adj. to Pivot	Leg/Foot Length
9	10	175	81
Pulley Diameter	Number of Grooves		
84	1-v		

A17418
ALTERNATOR CD20 SM PUMP
SNG PULLEY
Manufacturer: Nissan

A23156 12v 70AMP		Suits: NISSAN CUBE MICRA Engine: 1.4L	
			
Dimensions (mm)			
Adj. Hole Diameter	Pivot Hole Diameter	Adj. to Pivot	Leg/Foot Length
11	10	164	66
Pulley Diameter	Number of Grooves		
50	6		

A23156
ALT, NISSAN MICRA / CUBE
12V 70A
Manufacturer: Nissan

A23215 12v 90a I/R			Suits: NISSAN PATROL Y61 Engine: 3.0L
			
Dimensions (mm)			
Adj. Hole Diameter	Pivot Hole Diameter	Adj. to Pivot	Leg/Foot Length
M8	10	167	80
Pulley Diameter	Number of Grooves		
60	7		

A23215
ALT, 12V NISSAN C/W ORC
Manufacturer: Nissan

A23917 12V 130a			Suits: NISSAN Engine: YD25 DIESEL
			
Dimensions (mm)			
Adj. Hole Diameter	Pivot Hole Diameter	Adj. to Pivot	Leg/Foot Length
M8	10	163	80
Pulley Diameter	Number of Grooves		
65	7		

A23917
ALT, NISSAN YD25
2005- LSC INC ORC
Manufacturer: Nissan

A23918 12v 150a			Suits: NISSAN PATHFINDER Engine: 2.5L
			
Dimensions (mm)			
Adj. Hole Diameter	Pivot Hole Diameter	Adj. to Pivot	Leg/Foot Length
6	10	164	80
Pulley Diameter	Number of Grooves		
64	7		

A23918
ALT NISSAN NAVARA
2005- 150A SPECIAL
Manufacturer: Nissan

A24075 12V 140AMP		Suits: NISSAN Engine: 1.6L, 1.8L	
			
Dimensions (mm)			
Adj. Hole Diameter	Pivot Hole Diameter	Adj. to Pivot	Leg/Foot Length
10	10	127	58x2
Pulley Diameter	Number of Grooves		
55	7		

A24075
ALT, NISSAN 12V 140A TIIDA
C/W SOLID PULLEY
Manufacturer: Nissan

A2TG0091 12v 90a I/R			Suits: NISSAN INFINITI Engine: QG15DE, QG18DE
			
Dimensions (mm)			
Adj. Hole Diameter	Pivot Hole Diameter	Adj. to Pivot	Leg/Foot Length
M8	10	170	80
Pulley Diameter	Number of Grooves		
60	6		

A2TG0091
ALT 12V 90A SUIT QG15,
QG18 NISSAN
Manufacturer: Nissan

NISSAN

A3066
12v
80a I/R

Suits: NISSAN
Engine: SR20DE

Dimensions (mm)

Adj. Hole Diameter	Pivot Hole Diameter	Adj. to Pivot	Leg/Foot Length	Pulley Diameter	Number of Grooves
6	10	165	80	70	3

CORE EXCHANGE

A3066
ALTERNATOR 12V NISSAN
SR20DE
Manufacturer: Nissan

A4025
24v
35a I/R

Suits: HINO BUSES & COACHES
Engine: H06C, H06CT, H07C

Dimensions (mm)

Adj. Hole Diameter	Pivot Hole Diameter	Adj. to Pivot	Leg/Foot Length	Pulley Diameter	Number of Grooves
8	14	222	96	92	2-V

A4025
ALT 24V35A LRG VAC BUS P.S.
Manufacturers: Nissan, Hino

A5070
24v
55a I/R

Suits: NISSAN
Engine:

Dimensions (mm)

Adj. Hole Diameter	Pivot Hole Diameter	Adj. to Pivot	Leg/Foot Length	Pulley Diameter	Number of Grooves
8	12	221.5	85.5	84	2-V

A5070
ALT 24V 55AMP IC NISSAN
TRUCK FE6
Manufacturers: Nissan, Hino

A5075
24v
45a I/R

Suits: NISSAN
Engine: Truck/bus

Dimensions (mm)

Note: Sawafuji. Brushless

Adj. Hole Diameter	Pivot Hole Diameter	Adj. to Pivot	Leg/Foot Length	Pulley Diameter	Number of Grooves
11	12	218	85	82	2-V

A5075
ALT, SAWAFUJI 24V 50AMP
NISSAN
Manufacturer: Nissan

A5075M
24v
45a I/R

Suits: NISSAN
Engine: Truck/bus

Dimensions (mm)

Note: Sawafuji. Brushless

Adj. Hole Diameter	Pivot Hole Diameter	Adj. to Pivot	Leg/Foot Length	Pulley Diameter	Number of Grooves
11	12	218	85	69	9

A5075M
ALT, SAWAFUJI 24V 50AMP
NISSAN M/PULLEY
Manufacturer: Nissan

A81713
12v
110a I/R

Suits: NISSAN PRIMERA, X-TRAIL
Engine: -

Dimensions (mm)

Note: Clutch Pulley

Adj. Hole Diameter	Pivot Hole Diameter	Adj. to Pivot	Leg/Foot Length	Pulley Diameter	Number of Grooves
10	10	157	56	52	6

A81713
ALT, X TRAIL & PRIMERA
110A QR20, P12 (INC. ORC)
Manufacturer: Nissan

A960
24v
40a I/R

Suits: NISSAN TRUCK
Engine:

Dimensions (mm)

Adj. Hole Diameter	Pivot Hole Diameter	Adj. to Pivot	Leg/Foot Length	Pulley Diameter	Number of Grooves
8	11	225	70	82	2-V

A960
ALT, 24V NISSAN TRUCK
3 PIN TRIANGLE
Manufacturer: Nissan

A967
24v
40a I/R

Suits: NISSAN TRUCK
Engine: -

Dimensions (mm)

Adj. Hole Diameter	Pivot Hole Diameter	Adj. to Pivot	Leg/Foot Length	Pulley Diameter	Number of Grooves
8	11	225	70	82	2-V

A967
ALTERNATOR SUIT NISSAN
24V 40A
Manufacturer: Nissan

AA0046
12v
70a I/R



Suits: NISSAN MARCH (Mitsubishi Version)
Engine: -

Dimensions (mm)

Adj. Hole Diameter	Pivot Hole Diameter	Adj. to Pivot	Leg/Foot Length	Pulley Diameter	Number of Grooves
10	10	164	65	50	6

AA0046
ALT MITSU 12V SUIT NISSAN
MARCH
Manufacturer: Nissan

NISSAN

AL-1611 12v 75a I/R, I/F		Suits: NISSAN Engine: -			
					
Dimensions (mm)					
Adj. Hole Diameter	Pivot Hole Diameter	Adj. to Pivot	Leg/Foot Length	Pulley Diameter	Number of Grooves
10	10	164	65	50	6


AL-1611
ALTERNATOR NISSAN INT FAN
Manufacturer: Nissan

LR170-718 12v 70a I/R		Suits: NISSAN (Mitsubishi Version) Engine: RB20			
					
Dimensions (mm)					
Adj. Hole Diameter	Pivot Hole Diameter	Adj. to Pivot	Leg/Foot Length	Pulley Diameter	Number of Grooves
6	10	177	80	70	4

LR170-718
NISSAN RB 20 MITSU VERSION
A5T41094B
Manufacturer: Nissan

LR180-712 12V 80AMP		Suits: NISSAN Engine: VG30E, VG30ET			
					
Dimensions (mm) Note: -					
Adj. Hole Diameter	Pivot Hole Diameter	Adj. to Pivot	Leg/Foot Length	Pulley Diameter	Number of Grooves
M8	8	176	80	75	4

LR180-712
ALT NISSAN 12V 80A
Manufacturer: Nissan

LR190-760 12v 90A		Suits: NISSAN CUBE Engine:			
					
Dimensions (mm) Note: -					
Adj. Hole Diameter	Pivot Hole Diameter	Adj. to Pivot	Leg/Foot Length	Pulley Diameter	Number of Grooves
10	10	163	65	55	5



LR190-760
ALT 12V SUIT NISSAN MARCH
Manufacturer: Nissan

LR270-03B 24v 70a I/R		Suits: NISSAN Engine: TD42, Various			
					
Dimensions (mm) Note: 120cc Vac Pump					
Adj. Hole Diameter	Pivot Hole Diameter	Adj. to Pivot	Leg/Foot Length	Pulley Diameter	Number of Grooves
8	14	216	98	92	2-V

LR270-03B
ALTERNATOR 24V 70A
LARGE PUMP
Manufacturers: Hitachi, Nissan

LR270-06 24V 70AMP		Suits: NISSAN Engine:			
					
Dimensions (mm) Note: -					
Adj. Hole Diameter	Pivot Hole Diameter	Adj. to Pivot	Leg/Foot Length	Pulley Diameter	Number of Grooves
M10	12	220	98	84	2-v

LR270-06
ALTERNATOR 24V 70A
Manufacturer: Nissan

LT225-23 24v 25a E/R		Suits: NISSAN TRUCKS Engine: RD8, PD6, PD6-T, ND6			
					
Dimensions (mm) Note: CORE EXCHANGE					
Adj. Hole Diameter	Pivot Hole Diameter	Adj. to Pivot	Leg/Foot Length	Pulley Diameter	Number of Grooves
8	12	221	70	82	3-V

LT225-23
ALTERNATOR HITACHI 24V
25A 3V PULLEY
Manufacturer: Nissan

MOT31971 12v 1.2kw PMGR		Suits: NISSAN CUBE Engine:			
					
Dimensions (mm) NOTE: BOTH MOUNT HOLES THREADED Teeth: 10					
Pinion Offset:	Mt. Holes Cnt. to Cnt.	Spigot Diameter	Pinion Diameter	Pinion At Rest	
N/A	153	70	27	20	

MOT31971
STR SUIT NISSAN CUBE
Manufacturer: Nissan

MOT71786 12v 1.0kw PMGR		Suits: NISSAN Engine: KA24DE			
					
Dimensions (mm) Note: CORE EXCHANGE Teeth: 8					
Pinion Offset:	Mt. Holes Cnt. to Cnt.	Spigot Diameter	Pinion Diameter	Pinion At Rest	
no	110	70	28	28	

MOT71786
STARTER 12V NISSAN
VERY RARE PMGR
Manufacturer: Nissan

NISSAN

S114-751 CW		Suits: NISSAN		
12v 1.7kw		Engine: VH41DE		
PMGR				
				
Dimensions (mm)		Teeth: 8		
Pinion Offset:	Mt. Holes Cnt. to Cnt.	Spigot Diameter	Pinion Diameter	Pinion At Rest
no	93	70	29	44

S114-751
NISSAN VH41DE 8TH PMGR
Manufacturer: Nissan

S114-847 CW		Suits: NISSAN		
12v 1.4kw		Engine: QD25DD		
PMGR				
				
Dimensions (mm)		Teeth: 10		
Pinion Offset:	Mt. Holes Cnt. to Cnt.	Spigot Diameter	Pinion Diameter	Pinion At Rest
n/a	95	68	33	36

S114-847
STARTER 12V PMGR NISSAN
VQ25DD, VQ30DD
Manufacturer: Nissan

S1360 CW		Suits: NISSAN		
24v 5.5kw		Engine: FD33		
G/R				
				
Dimensions (mm)		Note: NIKKO TYPE		
Pinion Offset:	Mt. Holes Cnt. to Cnt.	Spigot Diameter	Pinion Diameter	Pinion At Rest
n/a	136/111/109	104	40	29

S1360
STARTER NIKKO G/R 24V
NISSAN ENGINE OE
Manufacturer: Nissan

S14762 CW		Suits: NISSAN		
12v 1.4kw		Engine: SR20		
PMGR				
				
Dimensions (mm)		Note: Also Comes with Nose		
Pinion Offset:	Mt. Holes Cnt. to Cnt.	Spigot Diameter	Pinion Diameter	Pinion At Rest
no	106	82	29	4

S14762
STARTER SR20 SERENA
(NO NOSE)
Manufacturer: Nissan

S14763 CW		Suits: NISSAN		
12v 1.4kw		Engine: SR20DE		
PMGR				
				
Dimensions (mm)		Teeth: 8		
Pinion Offset:	Mt. Holes Cnt. to Cnt.	Spigot Diameter	Pinion Diameter	Pinion At Rest
n/a	105	82.5	28	4

S14763
STARTER NISSAN SR20...HAS
NOSE CONE
Manufacturer: Nissan

S16207GR CW		Suits: NISSAN FORKLIFT 1975-		
12v 1.0kw		Engine: DIL		
G/R				
				
Dimensions (mm)		Teeth: 9		
Pinion Offset:	Mt. Holes Cnt. to Cnt.	Spigot Diameter	Pinion Diameter	Pinion At Rest
no	108	70	29	19

S16207GR
STARTER SUIT NISSAN
9TH G/R
Manufacturers: Forklift,
Nissan

S16209 CCW		Suits: NISSAN BLUEBIRD, NAVARA		
12v 1.0kw		Engine: Z18, Z20		
PMGR				
				
Dimensions (mm)		Teeth: 9		
Pinion Offset:	Mt. Holes Cnt. to Cnt.	Spigot Diameter	Pinion Diameter	Pinion At Rest
n/a	110	82	28	8

S16209
STARTER NISSAN Z20 9TH
Manufacturer: Nissan

S16210 CW		Suits: NISSAN BLUEBIRD		
12v 1.2kw		Engine: CA18, CA20		
PMGR				
				
Dimensions (mm)		Note: No Thread in Mt. Holes		
Pinion Offset:	Mt. Holes Cnt. to Cnt.	Spigot Diameter	Pinion Diameter	Pinion At Rest
no	110	82	29	8

S16210
STR 1.2KW PMGR NISSAN
9TH NO THREAD
Manufacturers: Nissan, Forklift

S16211 CW		Suits: NISSAN 210 series 1971-82		
12v 1.4kw		Engine: A12, A15		
PMGR				
				
Dimensions (mm)		Teeth: 9		
Pinion Offset:	Mt. Holes Cnt. to Cnt.	Spigot Diameter	Pinion Diameter	Pinion At Rest
no	105	70	28	12

S16211
STR.NISSAN 210SERIES
1971-82 8TH A12
Manufacturers: Nissan, Forklift

NISSAN

S16660		CW	Suits: NISSAN
12v 1.4kw		Engine: TB42/45	
G/R			
			
Dimensions (mm)		Teeth: 9	
Pinion Offset:	MT. Holes Cnt. to Cnt.	Spigot Diameter	Pinion Diameter
no	110	82	35
			Pinion At Rest
			11


S16660
STR HIT G/R 12V 9TH 35MM
TB42 NISSAN
Manufacturer: Nissan

S16732		CCW	Suits: NISSAN PULSAR, SENTRA 1986-88
12v 0.8kw		Engine: E15E, E15S	
G/R			
			
Dimensions (mm)		Teeth: 25	
Pinion Offset:	MT. Holes Cnt. to Cnt.	Spigot Diameter	Pinion Diameter
n/a	115	n/a	67
			Pinion At Rest
			n/a

S16732
STR NISSAN SENTRA W/AT
1986-88
Manufacturer: Nissan

S16733		CW	Suits: NISSAN
12v 1.4kw		Engine: LD28	
G/R			
			
Dimensions (mm)		Teeth: 9	
Pinion Offset:	MT. Holes Cnt. to Cnt.	Spigot Diameter	Pinion Diameter
no	110	82	35
			Pinion At Rest
			8

S16733
STR.NISSAN LD28 HITACHI G/R
Manufacturer: Nissan

S16774		CW	Suits: NISSAN BLUEBIRD 1984-86
12v 1.4kw		Engine: CA16, CA18, CA20	
D/D			
			
Dimensions (mm)		Teeth: 8	
Note: Both Mt. Holes Threaded			
Pinion Offset:	MT. Holes Cnt. to Cnt.	Spigot Diameter	Pinion Diameter
no	110	82.5	28
			Pinion At Rest
			2.5

S16774
STARTER NISSAN CA18-20
Manufacturer: Nissan

S16775		CCW	Suits: NISSAN PULSAR, SENTRA
12v 1.2kw		Engine: E13, E13S, VE13S	
PMGR			
			
Dimensions (mm)		Teeth: 8	
Pinion Offset:	MT. Holes Cnt. to Cnt.	Spigot Diameter	Pinion Diameter
n/a	110	70	28
			Pinion At Rest
			44

S16775
STR.CCW NISSAN SENTRA & PULSAR
Manufacturer: Nissan

S16794		CW	Suits: NISSAN FORKLIFT
12v 1.2kw		Engine: H20	
PMGR			
			
Dimensions (mm)		Teeth: 8	
Pinion Offset:	MT. Holes Cnt. to Cnt.	Spigot Diameter	Pinion Diameter
yes	109	82	28
			Pinion At Rest
			7

S16794
STARTER NISSAN H20,
H15 8TH
Manufacturers: Nissan,
Forklift

S16798		CW	Suits: NISSAN & YALE FORKLIFTS
12v 0.8kw		Engine: D5	
D/D			
			
Dimensions (mm)		Teeth: 8	
Pinion Offset:	MT. Holes Cnt. to Cnt.	Spigot Diameter	Pinion Diameter
no	104.5	74	28
			Pinion At Rest
			20

S16798
STARTER YALE FORKLIFT
8TH D/D
Manufacturers: Forklift, Yale,
Nissan

S16805		CW	Suits: NISSAN
12v 1.4kw		Engine: Z18, Z20	
PMGR			
			
Dimensions (mm)		Teeth: 8	
Pinion Offset:	MT. Holes Cnt. to Cnt.	Spigot Diameter	Pinion Diameter
no	110	82	28
			Pinion At Rest
			10

S16805
STR SUIT NISSAN Z18-20
8TH P/E
Manufacturer: Nissan

S16806		CCW	Suits: NISSAN MAXIMA 1985-89 (WITH MANUAL/TRANS)
12v 1.4kw		Engine: VG20ET	
G/R			
			
Dimensions (mm)		Teeth: 21	
Pinion Offset:	MT. Holes Cnt. to Cnt.	Spigot Diameter	Pinion Diameter
n/a	105	n/a	60
			Pinion At Rest
			n/a

S16806
STR.NISSAN MAXIMA
W/MT 1985-88
Manufacturer: Nissan

NISSAN

S16809		CW	Suits: NISSAN DIESEL		
12v 2kw			Engine: CDT7C CD20		
					
Dimensions (mm)		Teeth: 9			
Pinion Offset:	Mt. Holes Cnt. to Cnt.	Spigot Diameter	Pinion Diameter	Pinion At Rest	
yes	105	82	35	4	

S16809
STR 12V HIT, 9TH NISSAN
CD17/CD20
Manufacturer: Nissan

S16810		CW	Suits: NISSAN		
12v 2.0kw G/R			Engine: CD17, CD20		
					
Dimensions (mm)		Teeth: 11			
Pinion Offset:	Mt. Holes Cnt. to Cnt.	Spigot Diameter	Pinion Diameter	Pinion At Rest	
yes	107	82	41	5	

S16810
STR,NISSAN G/R SUIT
CD17/CD20
Manufacturer: Nissan

S16816		CCW	Suits: NISSAN PULSAR, SENTRA M/T		
12v 1.2kw			Engine: E15, E15S		
					
Dimensions (mm)		Teeth: 8			
Pinion Offset:	Mt. Holes Cnt. to Cnt.	Spigot Diameter	Pinion Diameter	Pinion At Rest	
n/a	110	70	28	39	

S16816
STR.CCW 8TH PULSAR
SENTRA M/T
Manufacturer: Nissan

S16817		CW	Suits: NISSAN PATHFINDER, NAVARA		
12v 1.4kw PMGR			Engine: VG30E		
					
Dimensions (mm)		Note: Both Mt. Holes Threaded		Teeth: 9	
Pinion Offset:	Mt. Holes Cnt. to Cnt.	Spigot Diameter	Pinion Diameter	Pinion At Rest	
no	109	82.5	29	13.5	

S16817
STR.12V 1.4KW NISSAN
PATHFINDER 1988-89 VG30
Manufacturer: Nissan

S16900		CW	Suits: NISSAN PULSAR 1988-90		
12v 1.4kw PMGR			Engine: 1.8L		
					
Dimensions (mm)		Note: 1 Plain Hole, 1 Threaded		Teeth: 10	
Pinion Offset:	Mt. Holes Cnt. to Cnt.	Spigot Diameter	Pinion Diameter	Pinion At Rest	
no	110	82	30	4	

S16900
STR.NISSAN PULSAR 1.8L
1988-90
Manufacturer: Nissan

S16919		CW	Suits: NISSAN P12, Y11, G10, PRIMERA		
12v 1.2kw PMGR			Engine: 2.0L QR20DE, QR20EE		
					
Dimensions (mm)		Teeth: 10			
Pinion Offset:	Mt. Holes Cnt. to Cnt.	Spigot Diameter	Pinion Diameter	Pinion At Rest	
yes	130	82	32	24	

S16919
STR, NISS, P12, 2002- PMGR
QR20DD
Manufacturer: Nissan

S16982		CW	Suits: NISSAN		
12v 1.2kw G/R			Engine: CA18, CA20		
					
Dimensions (mm)		Teeth: 8			
Pinion Offset:	Mt. Holes Cnt. to Cnt.	Spigot Diameter	Pinion Diameter	Pinion At Rest	
no	110	82	27	4	

S16982
STR.NISSAN CA18 85-88
Manufacturer: Nissan

S16991		CCW	Suits: NISSAN PULSAR WITH TURBO 1983-84		
12v 2.0kw G/R			Engine: 1.5L		
					
Dimensions (mm)		Teeth: 21			
Pinion Offset:	Mt. Holes Cnt. to Cnt.	Spigot Diameter	Pinion Diameter	Pinion At Rest	
no	114	n/a	60	n/a	

S16991
STR.NISSAN PULSAR WITH
TURBO
Manufacturer: Nissan

S16998		CW	Suits: NISSAN		
12v 1.4kw PMGR			Engine: CA18i, CA20S		
					
Dimensions (mm)		Note: Offset Bolt Holes		Teeth: 10	
Pinion Offset:	Mt. Holes Cnt. to Cnt.	Spigot Diameter	Pinion Diameter	Pinion At Rest	
no	105	82	32	4	

S16998
STR.NISSAN OFFSET
BOLT HOLES
Manufacturer: Nissan

NISSAN

S17069		CCW	Suits: NISSAN TERRANO, MAXIMA, LEOPARD	
12v 1.4kw G/R			Engine: VG20E, VG30DE	
				
Dimensions (mm)		Teeth: 21		
Pinion Offset:	Mt. Holes Cnt. to Cnt.	Spigot Diameter	Pinion Diameter	Pinion At Rest
no	105	0	60	0

S17069
STR.INFINITI M30 3.0L
1990-98
MANUFACTURER: NISSAN

S17104		CW	Suits: NISSAN 300ZX 1987-89	
12v 1.4kw G/R			Engine: 3.0L	
				
Dimensions (mm)		Teeth: 9		
Pinion Offset:	Mt. Holes Cnt. to Cnt.	Spigot Diameter	Pinion Diameter	Pinion At Rest
no	110	82	29	14

S17104
STR.NISSAN 300ZX 3.
0L1987-89
Manufacturer: Nissan

S17145		CCW	Suits: NISSAN MAXIMA 3.0L 1989-94	
12v 1.4kw G/R			Engine: VG30E	
				
Dimensions (mm)		Teeth: 21		
Pinion Offset:	Mt. Holes Cnt. to Cnt.	Spigot Diameter	Pinion Diameter	Pinion At Rest
no	111	n/a	57	n/a

S17145
STR. 12V 1.4KW 21TH NIS VG
3L 1989-94
Manufacturer: Nissan

S17146		CW	Suits: NISSAN PULSAR, SENTRA	
12v 1.2kw PMGR			Engine: GA15S, GA15DE, GA16DE	
				
Dimensions (mm)		Teeth: 8		
Pinion Offset:	Mt. Holes Cnt. to Cnt.	Spigot Diameter	Pinion Diameter	Pinion At Rest
no	106.5	70	28	12.5

S17146
STR.NISSAN PULSAR, SENTRA
Manufacturer: Nissan

S17161		CW	Suits: NISSAN 240SX Engine: KA24E	
12v 1.4kw PMGR				
				
Dimensions (mm)		Note: Both Mt. Holes Threaded		
Pinion Offset:	Mt. Holes Cnt. to Cnt.	Spigot Diameter	Pinion Diameter	Pinion At Rest
no	105	70	28	27

S17161
STR.NISSAN 240SX 2.4L
1989-95
Manufacturer: Nissan

S17180		CW	Suits: NISSAN INFINITY 1990-94	
12v 1.7kw PMGR			Engine: 4.5L	
				
Dimensions (mm)		Teeth: 8		
Pinion Offset:	Mt. Holes Cnt. to Cnt.	Spigot Diameter	Pinion Diameter	Pinion At Rest
n/a	116	70	27	42

S17180
STR.INFINITI Q45 4.5L 1990-94
Manufacturer: Nissan

S17196		CW	Suits: NISSAN D21 PICKUP 1990-95	
12v 1.2kw PMGR			Engine: 3.0L	
				
Dimensions (mm)		Teeth: 9		
Pinion Offset:	Mt. Holes Cnt. to Cnt.	Spigot Diameter	Pinion Diameter	Pinion At Rest
no	110	82	28	13

S17196
STR.12V 1.4KW NISSAN PIKUP
D21 3L1990-95 VG30
Manufacturer: Nissan

S17246		CW	Suits: NISSAN (Noseless, Both Mt. Holes Threaded)	
12v 1.2kw PMGR			Engine: SR18DE, SR20DE	
				
Dimensions (mm)		Teeth: 9		
Pinion Offset:	Mt. Holes Cnt. to Cnt.	Spigot Diameter	Pinion Diameter	Pinion At Rest
no	106	83	29	45

S17246
STARTER SR18/20 NOSELESS
Manufacturer: Nissan

S17425		CW	Suits: NISSAN BLUEBIRD, NAVARA, VANETTE	
12v 1.2kw PMGR			Engine: Z20	
				
Dimensions (mm)		Teeth: 9		
Pinion Offset:	Mt. Holes Cnt. to Cnt.	Spigot Diameter	Pinion Diameter	Pinion At Rest
no	110	82	29	7

S17425
STR.NISSAN 2.4L Z PLANETRY
Manufacturers: Nissan, Forklift

NISSAN

S17478		CW	Suits: NISSAN ALTIMA	
12v 1.4kw			1993-95	
PMGR			Engine: -	
				
Dimensions (mm)				Teeth: 8
Pinion Offset:	Mt. Holes Cnt. to Cnt.	Spigot Diameter	Pinion Diameter	Pinion At Rest
no	106	70	28	28

S17478
STR.NISSAN ALTIMA 1993-95
MANUFACTURER: NISSAN

S17479		CCW	Suits: NISSAN MAXIMA	
12v 2.0kw			1991-95	
PMGR			Engine: 3.0L	
				
Dimensions (mm)				Teeth: 13
Pinion Offset:	Mt. Holes Cnt. to Cnt.	Spigot Diameter	Pinion Diameter	Pinion At Rest
no	110	60	41	56

S17479
STR.NISSAN MAXIMA 3.0L
1993-95
Manufacturer: Nissan

S17683		CW	Suits: NISSAN PATHFINDER	
12v 1.4kw			1995-97	
PMGR			Engine: V6	
				
Dimensions (mm)				Note: Both Mt. Holes Threaded
				Teeth: 9
Pinion Offset:	Mt. Holes Cnt. to Cnt.	Spigot Diameter	Pinion Diameter	Pinion At Rest
yes	110	82	29	16

S17683
STR-PATHFINDER V6 95-2000
VG33
Manufacturer: Nissan

S17685		CW	Suits: NISSAN	
12v 1.4kw			Engine: 2.4L	
PMGR				
				
Dimensions (mm)				Teeth: 9
Pinion Offset:	Mt. Holes Cnt. to Cnt.	Spigot Diameter	Pinion Diameter	Pinion At Rest
no	110	82	28	8

S17685
STARTER NISSAN 2.4L PICKUP
AUTO TRANS
Manufacturer: Nissan

S17688		CCW	Suits: NISSAN SENTRA,	
12v 0.9kw			200SX 1985-99	
D/D			Engine: 1.6L	
				
Dimensions (mm)				Teeth: 8
Pinion Offset:	Mt. Holes Cnt. to Cnt.	Spigot Diameter	Pinion Diameter	Pinion At Rest
no	110	70	28	42

S17688
STARTER SENTRA 8TH CCW
Manufacturer: Nissan

S17695		CCW	Suits: NISSAN MAXIMA,	
12v 1.4kw			CEFIRO 1994 on	
PMGR			Engine: VQ20, VQ25, VQ30DE	
				
Dimensions (mm)				Teeth: 8
Pinion Offset:	Mt. Holes Cnt. to Cnt.	Spigot Diameter	Pinion Diameter	Pinion At Rest
no	97.5	75	32.5	55

S17695
STR MAXIMA VQ 1995
PMGR 8TH
Manufacturer: Nissan

S17713		CCW	Suits: NISSAN MAXIMA,	
12v 1.4kw			CEFIRO 1994 on	
PMGR			Engine: VQ20, VQ25, VQ30DE	
				
Dimensions (mm)				Teeth: 10
Pinion Offset:	Mt. Holes Cnt. to Cnt.	Spigot Diameter	Pinion Diameter	Pinion At Rest
no	95	75	32.5	55

S17713
STARTER LATE MAXIMA VQ
PMGR 10TH
Manufacturer: Nissan

S17745		CW	Suits: NISSAN PRIMERA	
12v 1.4kw			2 Threaded Holes	
PMGR			Engine: SR18DE, SR20DE	
				
Dimensions (mm)				Note: Both Mt. Holes Threaded
				Teeth: 8
Pinion Offset:	Mt. Holes Cnt. to Cnt.	Spigot Diameter	Pinion Diameter	Pinion At Rest
no	106	82	29	43

S17745
STR NISSAN SR18/SR20D
Manufacturer: Nissan

S17745H		CW	Suits: NISSAN 4WD	
12v 1.4kw			Engine: SR18, SR20	
				
Dimensions (mm)				Teeth: 11
Pinion Offset:	Mt. Holes Cnt. to Cnt.	Spigot Diameter	Pinion Diameter	Pinion At Rest
no	106	82	29	42

S17745H
STR NISSAN SR20 HIT. TYPE
4WD
Manufacturer: Nissan

NISSAN

S17745P CW		Suits: NISSAN 4WD		
12v 1.4kw		1 HOLE THREADED, 1 PLAIN		
PMGR		Engine: SR18, SR20		
				
Dimensions (mm)		Teeth: 11		
Pinion Offset: no	Mt. Holes Cnt. to Cnt.: 106	Spigot Diameter: 82	Pinion Diameter: 29	Pinion At Rest: 42

S17745P
STARTER S17745 WITH 1
PLAIN MOUNT HOLE
Manufacturer: Nissan

S17779 CCW		Suits: NISSAN MAXIMA, CEFIRO		
12v 1.4kw		Engine: V6 2.0 2.5 3.0		
PMGR				
				
Dimensions (mm)		Teeth: 11		
Pinion Offset: no	Mt. Holes Cnt. to Cnt.: 95	Spigot Diameter: 75	Pinion Diameter: 34	Pinion At Rest: 55

S17779
STARTER MAXIMA VQ PMGR
2000 11TH
Manufacturer: Nissan

S17833 CCW		Suits: NISSAN SENTRA/XTRAIL		
12v 2.0kw		2003-05		
PMGR		Engine: 2.5L		
				
Dimensions (mm)		Teeth: 13		
Pinion Offset: yes	Mt. Holes Cnt. to Cnt.: 115	Spigot Diameter: 82	Pinion Diameter: 42	Pinion At Rest: 56

S17833
STR NISSAN 13TH CCW
SENTRA/ XTRAIL 03-05
Manufacturer: Nissan

S17834		Suits: NISSAN PATHFINDER		
12v 1.4kw		FRONTIER		
		Engine: 3.5L V6		
				
Dimensions (mm)		Teeth: 12		
Pinion Offset: yes	Mt. Holes Cnt. to Cnt.: 94	Spigot Diameter: 77	Pinion Diameter: 36	Pinion At Rest: 26

S17834
STR NISSAN 3.5L FRONTIER/
PATHFINDER
Manufacturer: Nissan

S17835 CCW		Suits: NISSAN 2003-06		
12v 2.0kw		Engine: 2.5L		
PMGR				
				
Dimensions (mm)		Teeth: 13		
Pinion Offset: yes	Mt. Holes Cnt. to Cnt.: 107	Spigot Diameter: 75	Pinion Diameter: 40	Pinion At Rest: 61

S17835
STR NISSAN 13TH CCW 2.5L
03-06 QR20,QR25
Manufacturer: Nissan

S17863 CCW		Suits: NISSAN		
12v 1.7kw		Engine: 3.5L		
				
Dimensions (mm)		Teeth: 13		
Pinion Offset:	Mt. Holes Cnt. to Cnt.: 91	Spigot Diameter: 74	Pinion Diameter: 40	Pinion At Rest: 50

S17863
STR Nissan Murano/
Maxima,CCW
Manufacturer: Nissan

S17982		Suits: NISSAN CUBE, TIIDA		
12V 1KW PMGR		Engine: 1.8L-2L		
				
Dimensions		Teeth: 10		
Pinion Offset: YES	Mt. Holes Cnt. to Cnt.: 151	Spigot Diameter: 70	Pinion Diameter: 27	Pinion At Rest: 21

S17982
STARTER 12V NISSAN
CUBE/ TIIDA
Manufacturer: Nissan

S18058 CW		Suits: NISSAN SAFARI, PATROL		
24v 4.5kw		Engine: TD42		
G/R				
				
Dimensions (mm)		Teeth: 11		
Pinion Offset: no	Mt. Holes Cnt. to Cnt.: 115/80/140	Spigot Diameter: 105	Pinion Diameter: 40	Pinion At Rest: 10

S18058
STR 24V NISSAN TD42 11TH.
Manufacturer: Nissan

S18058D CW		Suits: NISSAN (DELCO 28MT TYPE)		
24v 4.5kw		Engine: TD42		
G/R				
				
Dimensions (mm)		Teeth: 11		
Pinion Offset: n/a	Mt. Holes Cnt. to Cnt.: 115/80/140	Spigot Diameter: 105	Pinion Diameter: 40	Pinion At Rest: 10

S18058D
STARTER NISSAN TD42
(DELCO TYPE)
Manufacturer: Nissan

NISSAN

S18059		CW	Suits: NISSAN (HITACHI TYPE)
24v 4.5kw		Engine: FD6, FE6	
G/R			
			
Dimensions (mm)		Teeth: 11	
Pinion Offset: no	Mt. Holes Cnt. to Cnt. 136/112/109	Spigot Diameter 105	Pinion Diameter 40
			Pinion At Rest 33

S18059
STR HITACHI 24V FE/FD6
NISSAN
MANUFACTURER: NISSAN

S18059M		CW	Suits: NISSAN (MITSUBISHI TYPE)
24v		Engine: FD6, FE6	
PLGR			
			
Dimensions (mm)		Teeth: 11	
Pinion Offset: no	Mt. Holes Cnt. to Cnt. 136/112/109	Spigot Diameter 105	Pinion Diameter 40
			Pinion At Rest 33

S18059M
STARTER MITSU FD/FE6 NISSAN
24V also S9077
Manufacturer: Nissan

S18059S		CW	Suits: NISSAN, UD (SAWAFUJI TYPE)
24v 5.5kw		Engine: FD6, FE6	
G/R			
			
Dimensions (mm)		Teeth: 11	
Pinion Offset: no	Mt. Holes Cnt. to Cnt. 136/112/109	Spigot Diameter 105	Pinion Diameter 40
			Pinion At Rest 33

S18059S
USE HITACHI S18059 OR
ND S9077
Manufacturer: Nissan

S18061		CW	Suits: NISSAN VAN, UTE
12v 2.0kw		Engine: SD23, SD25	
G/R			
			
Dimensions (mm)		Note: HITACHI TYPE	
Pinion Offset: no	Mt. Holes Cnt. to Cnt. 110	Spigot Diameter 83	Pinion Diameter 36
			Pinion At Rest 12

S18061
STARTER HITACHI 2KW
G/R SD25
Manufacturer: Nissan

S18088		CW	Suits: NISSAN
24v 6.0kw		Engine: ND, NE, NF	
G/R			
			
Dimensions (mm)		Teeth: 11	
Pinion Offset: n/a	Mt. Holes Cnt. to Cnt. 115/115/132	Spigot Diameter 104	Pinion Diameter 40
			Pinion At Rest 30

S18088
STARTER SAWAFUJI ND-NF
NISSAN TRUCK
Manufacturer: Nissan

S18095		-	Suits: NISSAN RB/H20 EX
PMGR		Engine: -	
			
Dimensions (mm)		Teeth: -	
Pinion Offset: no	Mt. Holes Cnt. to Cnt. -	Spigot Diameter -	Pinion Diameter -
			Pinion At Rest -

S18095
REPLACE WITH S16794
Manufacturer: Nissan

S18502		CW	Suits: CITROEN
12v 1.4kw		Engine: 1.4 - 1.9L DIESEL	
PMGR			
			
Dimensions (mm)		Note: 1 Mt. Hole Threaded	
Pinion Offset: no	Mt. Holes Cnt. to Cnt. 85/83/121	Spigot Diameter n/a	Pinion Diameter 25
			Pinion At Rest n/a

S18502
STR RENAULT/PEUGEOT/
CITREON
Manufacturers: Renault,
Citroen, Nissan

S18973		CW	Suits: NISSAN
12v 1.2kw		Engine:	
			
Dimensions (mm)		Teeth: 9	
Pinion Offset:	Mt. Holes Cnt. to Cnt. 108	Spigot Diameter 83	Pinion Diameter 29
			Pinion At Rest 19

S18973
STR 12V SUIT NISSAN F/LIFT
Manufacturers: Nissan, Forklift

S19092		CW	Suits: NISSAN
12v		Engine:	
			
Dimensions (mm)		Teeth: 10	
Pinion Offset: 7	Mt. Holes Cnt. to Cnt. 77x80x28x153	Spigot Diameter 79	Pinion Diameter 27
			Pinion At Rest 18

S19092
STARTER NISSAN VERSA/TIIDA
1.6L 2009
Manufacturer: Nissan

NISSAN

S21098 CW Suits: NISSAN UD	
24v 5.5kw G/R Engine: PD6, PD6T, PE6	
	
Dimensions (mm) Teeth: 11	
Pinion Offset: no	Mt. Holes Cnt. to Cnt. 132/115/113
Spigot Diameter 105	Pinion Diameter 40
	Pinion At Rest 39

S21098
STARTER 24V PD6 NISSAN
ALSO S9066
Manufacturer: Nissan

S24-05A CW Suits: NISSAN	
24v 3.0kw G/R Engine: TD27, TD23	
	
Dimensions (mm) Teeth: 9	
Pinion Offset: yes	Mt. Holes Cnt. to Cnt. 119
Spigot Diameter 95	Pinion Diameter 36
	Pinion At Rest 9

S24-05A
NISSAN TD27 24V
Manufacturer: Nissan

S32182 CW Suits: NISSAN LAUREL	
12v 2.0kw G/R Engine: RD28	
	
Dimensions (mm) Teeth: 9	
Pinion Offset: no	Mt. Holes Cnt. to Cnt. 110
Spigot Diameter 82	Pinion Diameter 35
	Pinion At Rest 8

S32182
STR G/R NISSAN LAUREL RD28
Manufacturer: Nissan

S32584 CCW Suits: NISSAN	
12v 2.0kw G/R Engine: CD20T	
	
Dimensions (mm) Note: Big Nose Teeth: 11	
Pinion Offset: no	Mt. Holes Cnt. to Cnt. 109/90/123
Spigot Diameter 82	Pinion Diameter 42
	Pinion At Rest 67

S32584
STARTER SUIT CD20T CCW
G/R BIG NOSE
Manufacturer: Nissan

S32715 CW Suits: NISSAN 02-03	
12v 2.0kw G/R Engine: YD25	
	
Dimensions (mm) Teeth: 12	
Pinion Offset: yes	Mt. Holes Cnt. to Cnt. 107
Spigot Diameter 68	Pinion Diameter 47
	Pinion At Rest 31

S32715
STARTER G/R NISSAN YD25
02-03
Manufacturer: Nissan

S33079 CW Suits: NISSAN MARCH, MICRA	
12v 1.2kw PMGR Engine: 1.0 - 1.3L	
	
Dimensions (mm) Teeth: 8	
Pinion Offset: no	Mt. Holes Cnt. to Cnt. 105
Spigot Diameter 72	Pinion Diameter 28
	Pinion At Rest 10

S33079
STARTER NISSAN MARCH/
MICRA
Manufacturer: Nissan

S33080 CW Suits: NISSAN MICRA	
12v 0.7kw D/D Engine: 1.1L, 1.3L, 1.4L	
	
Dimensions (mm) Teeth: 8	
Pinion Offset: no	Mt. Holes Cnt. to Cnt. 107
Spigot Diameter 70	Pinion Diameter 27
	Pinion At Rest 11

S33080
STR NISSAN MICRA/MARCH
2004 -
Manufacturer: Nissan

S33307 CW Suits: NISSAN FRONTIER, NAVARA	
12v PMGR Engine: 2.5L DSL	
	
Dimensions (mm) Teeth: 11	
Pinion Offset: yes	Mt. Holes Cnt. to Cnt. 107
Spigot Diameter 70	Pinion Diameter 45
	Pinion At Rest 31

S33307
STARTER YD25 2006 ON
PLANETRY
Manufacturer: Nissan

S3505 CW Suits: NISSAN AVENIER, BLUEBIRD, VANETTE	
12v 1.6kw G/R Engine: LD20	
	
Dimensions (mm) Teeth: 11	
Pinion Offset: no	Mt. Holes Cnt. to Cnt. 110
Spigot Diameter 82	Pinion Diameter 42
	Pinion At Rest 8

S3505
STR MITSU 12V G/R LD20
Manufacturer: Nissan

NISSAN

S3596		CW	Suits: NISSAN MARCH, MICRA	
12v 1.2kw PMGR			Engine: -	
				
Dimensions (mm)				Teeth: 8
Pinion Offset:	Mt. Holes Cnt. to Cnt.	Spigot Diameter	Pinion Diameter	Pinion At Rest
no	107	72	28	10

S3596
STARTER NISSAN MARCH/
MICRA
Manufacturer: Nissan

S6006		CW	Suits: NISSAN NAVARA	
12v 2kw G/R			Engine: TD23 TD25	
				
Dimensions (mm)				Teeth: 9
Pinion Offset:	Mt. Holes Cnt. to Cnt.	Spigot Diameter	Pinion Diameter	Pinion At Rest
NO	120	95	35	11

S6006
STARTER 12V 2KW G/R TD23
Manufacturer: Nissan

S6007L		CW	Suits: NISSAN	
12v 2.5kw OSGR			Engine: ZD30DDTI	
				
Dimensions (mm)				Teeth: 9
Pinion Offset:	Mt. Holes Cnt. to Cnt.	Spigot Diameter	Pinion Diameter	Pinion At Rest
n/a	120	95	35	10

S6007L
STARTER NISSAN ZD30,
QD32 DDI
Manufacturer: Nissan

S6007N		CW	Suits: NISSAN CARAVAN, NAVARA, URVAN, VANETTE	
12v 2.0kw G/R			Engine: TD23, TD25, TD27, TD27T, QD32	
				
Dimensions (mm)				Teeth: 9
Pinion Offset:	Mt. Holes Cnt. to Cnt.	Spigot Diameter	Pinion Diameter	Pinion At Rest
no	120	95	35	11

S6007N
STARTER NISSAN TD27, QD32
Manufacturer: Nissan

S6043H		CW	Suits: NISSAN HITACHI TYPE	
12v 2.5kw G/R			Engine: TD42	
				
Dimensions (mm)				Teeth: 11
Pinion Offset:	Mt. Holes Cnt. to Cnt.	Spigot Diameter	Pinion Diameter	Pinion At Rest
n/a	154 x 115 x 80	105	40	7

S6043H
STARTER SUIT TD42 12V 2KW
HITACHI G/R
Manufacturer: Nissan

S6143		CW	Suits: NISSAN	
24v 3.2kw G/R			Engine: ED33, FD33, FD35	
				
Dimensions (mm)				Teeth: 10
Pinion Offset:	Mt. Holes Cnt. to Cnt.	Spigot Diameter	Pinion Diameter	Pinion At Rest
no	137/94/82	105	39	12

S6143
STARTER 24V 10TH 3.2KW
G/R NISSAN
Manufacturer: Nissan

S6143-12		CW	Suits: NISSAN	
12v G/R			Engine: ED33, FD35	
				
Dimensions (mm)				Teeth: 10
Pinion Offset:	Mt. Holes Cnt. to Cnt.	Spigot Diameter	Pinion Diameter	Pinion At Rest
no	137/94/82	105	39	12

S6143-12
STARTER 12V ED33,FD35
Manufacturer: Nissan

S7149		CW	Suits: NISSAN	
24v 4.5kw G/R			Engine: SD33, SD33T	
				
Dimensions (mm)				Teeth: 11
Pinion Offset:	Mt. Holes Cnt. to Cnt.	Spigot Diameter	Pinion Diameter	Pinion At Rest
no	14/99/94	105	40	10

S7149
STARTER 24V 11TH G/R
SUIT SD33
Manufacturer: Nissan

S870		CW	Suits: NISSAN	
12v 1.4kw G/R			Engine: TB42, TB45	
				
Dimensions (mm)				Teeth: 9
Pinion Offset:	Mt. Holes Cnt. to Cnt.	Spigot Diameter	Pinion Diameter	Pinion At Rest
no	110	82	36	12

S870
STARTER SUIT NISSAN, TB42, 45
Manufacturer: Nissan

NISSAN

S9033		CW	Suits: NISSAN UD4, UD6	
24v 4.5kw			Engine: -	
G/R				
				
Dimensions (mm)		Teeth: 11		
Pinion Offset:	Mt. Holes Cnt. to Cnt.	Spigot Diameter	Pinion Diameter	Pinion At Rest
no	132/114/113	105	40.5	67

S9033
STARTER 24V 11TH G/R
UD4,UD6
MANUFACTURER: NISSAN

S9043		CW	Suits: NISSAN (NIPPONDENSO)	
24v 4.5kw			Engine: FD42, FD46	
G/R				
				
Dimensions (mm)		Teeth: 11		
Pinion Offset:	Mt. Holes Cnt. to Cnt.	Spigot Diameter	Pinion Diameter	Pinion At Rest
no	140/112/93	105	40	11

S9043
STR 24V 11TH G/R DENSO
FD42/46
Manufacturer: Nissan

S9066		CW	Suits: NISSAN UD	
24v 4.5kw			Engine: PD6, PD6T, PE6, PF6	
G/R				
				
Dimensions (mm)		Teeth: 11		
Pinion Offset:	Mt. Holes Cnt. to Cnt.	Spigot Diameter	Pinion Diameter	Pinion At Rest
no	132/115/113	105	40	39

S9066
STARTER 24V SUIT NISSAN
PD6,PE6,PF6
Manufacturer: Nissan

S9077		CW	Suits: NISSAN UD	
24v 4.5kw			Engine: FE6, FD6	
G/R				
				
Dimensions (mm)		Teeth: 11		
Pinion Offset:	Mt. Holes Cnt. to Cnt.	Spigot Diameter	Pinion Diameter	Pinion At Rest
no	135/111/108	104.5	40	31

S9077
STR 24V N/D SUIT NISSAN FE6
Manufacturer: Nissan

S9088		CW	Suits: NISSAN	
24v 4.5kw			Engine: NE, NF, ND6, NE6	
G/R				
				
Dimensions (mm)		Teeth: 11		
Pinion Offset:	Mt. Holes Cnt. to Cnt.	Spigot Diameter	Pinion Diameter	Pinion At Rest
yes	132/115/115	104.5	40	34

S9088
STARTER ND6/NF6 NISSAN
24V 11TH
Manufacturer: Nissan

S9099		CW	Suits: NISSAN (NIPPONDENSO)	
24v 4.5kw			Engine: TD42	
G/R				
				
Dimensions (mm)		Teeth: 11		
Pinion Offset:	Mt. Holes Cnt. to Cnt.	Spigot Diameter	Pinion Diameter	Pinion At Rest
no	80/115/140	105	40	13

S9099
STR ND 24V 11TH SUIT TD42
Manufacturer: Nissan

S9102		CW	Suits: NISSAN TRUCK (NIPPONDENSO)	
24v 4.5kw			Engine: MD92	
G/R				
				
Dimensions (mm)		Teeth: 11		
Pinion Offset:	Mt. Holes Cnt. to Cnt.	Spigot Diameter	Pinion Diameter	Pinion At Rest
no	130/122/111	105	40	32

S9102
STARTER DENSO G/R SUIT
NISSAN MD92
Manufacturer: Nissan

S9111		CW	Suits: NISSAN	
24v 5.5kw			Engine: PD, PE, PF	
G/R				
				
Dimensions (mm)		Teeth: 11		
Pinion Offset:	Mt. Holes Cnt. to Cnt.	Spigot Diameter	Pinion Diameter	Pinion At Rest
no	131/115/113	105	40	40

S9111
STARTER 5.5KW SUIT
NISSAN PD/F
Manufacturer: Nissan

S9115		CW	Suits: NISSAN TRUCKS (NIPPONDENSO)	
24v 5.5kw			Engine: RF8, RG8, RE8, RF10	
G/R				
				
Dimensions (mm)		Teeth: 11		
Pinion Offset:	Mt. Holes Cnt. to Cnt.	Spigot Diameter	Pinion Diameter	Pinion At Rest
no	152/147/104	122	48	40

S9115
STR 24V ND 5.5KW RF8 RG8
RF10 RE10 NISSAN
Manufacturer: Nissan

NISSAN

S9116		CW	Suits: NISSAN TRUCKS (NIPPONDENSO)	
24v 5.5kw		Engine: RD8		
G/R				
				
Dimensions (mm)		Teeth: 11		
Pinion Offset:	Mt. Holes Cnt. to Cnt.	Spigot Diameter	Pinion Diameter	Pinion At Rest
no	155/135/112	122	46	40

S9116
STARTER 24V ND 5.5KW RD8
NISSAN
Manufacturer: Nissan

S988NGR		CW	Suits: NISSAN	
12v 2.0kw		Engine: SD22, SD25		
G/R				
				
Dimensions (mm)		Teeth: 9		
Pinion Offset:	Mt. Holes Cnt. to Cnt.	Spigot Diameter	Pinion Diameter	Pinion At Rest
no	110	82	35	11

S988NGR
STR DENSO G/R SUIT SD22-25
FORKLIFT
Manufacturers: Nissan, Forklift

SGD6		CW	Suits: NISSAN	
24v 5.5kw		Engine: GD6		
G/R				
				
Dimensions (mm)		Teeth: 11		
Pinion Offset:	Mt. Holes Cnt. to Cnt.	Spigot Diameter	Pinion Diameter	Pinion At Rest
no	141/107/155	122	47	40

SGD6
STARTER SUIT NISSAN GD6
11TH G/R
Manufacturer: Nissan

SRD8		CW	Suits: NISSAN	
24v		Engine: RD8		
				
Dimensions (mm)		Teeth: 11		
Pinion Offset:	Mt. Holes Cnt. to Cnt.	Spigot Diameter	Pinion Diameter	Pinion At Rest
no	114x134x155	120	48	38

SRD8
STARTER NISSAN RD8 24V G/R
Manufacturer: Nissan

SRF8		CW	Suits: NISSAN TRUCKS	
24v 7.0kw		Engine: RF8		
G/R				
				
Dimensions (mm)		Teeth: 11		
Pinion Offset:	Mt. Holes Cnt. to Cnt.	Spigot Diameter	Pinion Diameter	Pinion At Rest
no	152/147/104	122	48	40

SRF8
STARTER 7.5KW G/R NISSAN
RF8
Manufacturer: Nissan

SCANIA

A0101 Suits: SCANIA
24v
80a I/R Engine: Various

Dimensions					
Adj. Hole Diameter	Pivot Hole Diameter	Adj. to Pivot	Leg/Foot Length	Pulley Diameter	Number of Grooves
11	11	173	72	89	1-V

Note: Requiring High Output 24v

A0101
ALTERNATOR REP BOSCH
24V 80A (NEW)
Manufacturers: Scania, Bosch

A0104 Suits: SCANIA (BOSCH)
24v
65a Engine: -

Dimensions (mm)					
Adj. Hole Diameter	Pivot Hole Diameter	Adj. to Pivot	Leg/Foot Length	Pulley Diameter	Number of Grooves
10	10	130/182	68	n/a	n/a

A0104
ALTERNATOR BOSCH 24V 65A
SCANIA
Manufacturers: Scania, Bosch

A12723 Suits: SCANIA
24v
100a Engine: -

Dimensions (mm)					
Adj. Hole Diameter	Pivot Hole Diameter	Adj. to Pivot	Leg/Foot Length	Pulley Diameter	Number of Grooves
10	10	156	89	72	8

A12723
ALT SCANIA 24V 100AMP
8 GROOVE
Manufacturer: Scania

A238770 Suits: VOLVO, REAULT, SCANIA, RPL MITSU TYPE
24v
110a Engine: DELTZ, KHD

Dimensions (mm)					
Adj. Hole Diameter	Pivot Hole Diameter	Adj. to Pivot	Leg/Foot Length	Pulley Diameter	Number of Grooves
10	10	155	56 x 2		

A238770
ALTERNATOR SUIT VOLVO BUS/
TRUCK 24V 110A
Manufacturers: Volvo, Renault,
Scania, Deutz

BX371004 CW Suits: SCANIA
24v 6.7kw Engine:

Dimensions (mm)					
Pinion Offset	Mt. Holes Cnt. to Cnt.	Spigot Diameter	Pinion Diameter	Pinion At Rest	Teeth: 11
	127x127x127	92	42	47	

BX371004
STARTER SCANIA 6.7KW
Manufacturer: Scania

BX371006 CW Suits: SCANIA
24v 6.7kw Engine:

Dimensions (mm)					
Pinion Offset	Mt. Holes Cnt. to Cnt.	Spigot Diameter	Pinion Diameter	Pinion At Rest	Teeth: 11
	127x127x127	92	42	48	

BX371006
BOSCH SCANIA 24V 6.7KW
11TH
Manufacturers: Scania, Bosch

BX469001 Suits: MERCEDES,
24v
80a I/R Engine: -

Dimensions (mm)					
Adj. Hole Diameter	Pivot Hole Diameter	Adj. to Pivot	Leg/Foot Length	Pulley Diameter	Number of Grooves
12	11	160/160	82	97	2-V

BX469001
ALTERNATOR 24V BOSCH TRUCK
MERC/ SCANIA
Manufacturers: Scania, Mercedes
Benz, Bosch, DAF, Renault

**NO
IMAGE
AVAILABLE**

BX489192
ALTERNATOR 24V 55A
SINGLE LEG
Manufacturer: Scania

BXU-2455 Suits: UNIVERSAL (BOSCH)
24v
55a I/R Engine: -

Dimensions					
Adj. Hole Diameter	Pivot Hole Diameter	Adj. to Pivot	Leg/Foot Length	Pulley Diameter	Number of Grooves
8	8	173	81	n/a	n/a

BXU2455
ALTERNATOR BOSCH 24V
55A RPL AC5
Manufacturers: Bosch, GM,
Scania

SCANIA

BXU2455A		B+	D+	W	Suits: UNIVERSAL
24v		○	○	○	
55a		Engine:			
					
Dimensions (mm)					
Adj. Hole Diameter	Pivot Hole Diameter	Adj.to Pivot	Leg/Foot Length	Pulley Diameter	Number of Grooves
M10	10	188	68	64	1-v

BXU2455A

ALT BOSCH 24V 55A TWIN LEG
Manufacturers: Bosch, Scania

BXU2490		B+	D+	W	Suits: SCANIA
24v		○	○	○	
90a I/R		Engine: Various			
					
Dimensions					
Adj. Hole Diameter	Pivot Hole Diameter	Adj.to Pivot	Leg/Foot Length	Pulley Diameter	Number of Grooves
10	10	130/127	66	N/A	N/A

BXU2490

BOSCH ALT 24V 90A SUIT
SCANIA
Manufacturers: Scania, Bosch

S17321		CW	Suits: SCANIA
24v 5.5kw			
DD		Engine: 8.5-16L	
			
Dimensions (mm)			Teeth 11
Pinion Offset:	Mt. Holes Cnt. to Cnt.	Spigot Diameter	Pinion Diameter
n/a	127 x 3	92	40
			Pinion At Rest
			47

S17321

STARTER SCANIA/ FIAT 24V
CO-AXIAL TYPE 11TH
Manufacturers: Scania, Fiat

S19795		CW	Suits: SCANIA
24v 5.5kw			
PLGR		Engine: 9L to 13L	
			
Dimensions (mm)			Teeth 12
Pinion Offset:	Mt. Holes Cnt. to Cnt.	Spigot Diameter	Pinion Diameter
YES	126 x 3	92	45
			Pinion At Rest
			46

S19795

STARTER 24V 12TH 5.5KW
PLGR SUIT SCANIA
Manufacturer: Scania

S9037		CW	Suits: SCANIA
24v 4.5kw			
G/R		Engine:	
			
Dimensions (mm)			Teeth 11
Pinion Offset:	Mt. Holes Cnt. to Cnt.	Spigot Diameter	Pinion Diameter
n/a	126 x 3	92	40
			Pinion At Rest
			42

S9037

STARTER 24V 11TH G/R SUIT
SCANIA
Manufacturer: Scania