



EARTHQUIP

AFFORDABLE HEAVY EQUIPMENT SOLUTIONS

DRIVE TRAIN



NEW REPLACEMENT PARTS FOR HEAVY EQUIPMENT

Clutch Section

- Clutch Components **1**
- Clutch Discs
 - 14 in Disc Diameter **2**
 - 15 1/2 in Clutch **4**
- Clutch Assembly
 - Auto Self-Adjusting **5**
 - Speedshift - Low Pedal Effort Heavy Duty Clutch **6**
 - Standard angled Clutch Assembly **8**
 - Medium Duty Clutch - Stamped Steel Covers **9**

Fuller Transmissions

- FS 4005
 - Case Assembly **11**
 - Input Shaft **12**
 - Countershaft & Idler Gear **12**
 - Mainshaft Assembly **13**
 - Shifter Components **13**
- FS 4205A
 - Case Assembly **14**
 - Input Shaft **14**
 - Mainshaft Assembly **15**
- FS 5106
 - Case Assembly **15**
 - Input Shaft **16**
 - Countershaft & Idler Gear **17**
 - Mainshaft Assembly **17**
 - Shifter Components **18**
- FS 5005A/C and FS 5205A
 - Case Assembly **18**
 - Input Shaft **19**
 - Countershaft & Idler Gear **20**
 - Mainshaft Assembly **21**
- FS 5406/FS 6205A/FS 6206A/FS 6306A/FS-FSO 6406A
 - Case Assembly **21**
 - Input Shaft **22**
 - Countershaft & Idler Gear **22**
 - Countershaft & Idler Gear **23**
 - Mainshaft Assembly **23**
 - Shifter Components **25**
- Fuller Bell Housing Components **26**
- FRO/RT/RTO 14210, 15210, 16210, 18210
 - Transmission Kits **27**
 - Electronic Control Unit **27**
 - Main Case Components **28**
 - Shift Cover Components **30**
 - Auxiliary Components **30**
 - Auxiliary Housing Components **31**
- RT/RTO/RTOO/RTLO 14613 and 14813
 - Transmission Kits **32**
 - Main Case Components **33**
 - Auxiliary Components - Early Style **35**
 - Auxiliary Components - Current Style **36**
 - Auxiliary Housing Components **37**
 - Cover Components **38**
 - Shifter Components **39**
 - Range Cylinder **39**
 - Intermediate Cylinder Components **40**
- RTLO 16618
 - Transmission Kits **40**
 - Main Case Components **41**
 - Auxiliary Components **43**
 - Auxiliary Housing Components **44**
 - Cover Components **45**
 - Shifter Components **45**
 - Range Cylinder Components **46**
 - Intermediate Cylinder Components **46**
- Miscellaneous Models
 - Models RT 610, 613/RTO 610/RT6610 **47**
 - Models RT 906, 910, 915/RTO 910, 915 **47**
 - Models RT/RTLO 1157, 13707, 11607, 11707 **48**
 - Models RT 1258LL, 7608, 8608, 11608, 11708, 14608, 14708, 16908 **48**
 - Models RT 6609, 8609, 9509, 11509, 11709, 12509, 12709, 13609, 14609, 14909, 16709, 16909 **49**
 - Models RT/RTO/RTLO 11610, 12610, 14610, 14710, 15610, 16710/RTF 1110 **51**
 - Model RT 11613, 12713, 12913, 14713, 14913, 16713, 16913, 18913, 20913 **54**

- Model RT 11613, 12713, 12913, 14713, 14913, 16713, 16913, 18913, 20913 **55**
- Model RT 14715, 5715/RT 11615, 11715, 14615, 15615, 16915 **56**
- Model RT/RTLO 14718, 16718, 18718, 14918, 16918, 18918, 20918, 22918 **58**

- Additional Components **60**
- Fuller Miscellaneous Bearings **61**
- Selector Valves **62**
- Shift Medallions **62**
- Transmission Selector Valves
 - Selector Valves **63**
- Conversion Kits **66**
- Selector Valve **66**
- Shifter Boot **67**
- Miscellaneous Valves
 - TW-1 Control Valve **67**
 - TW-4 Control Valve **68**
 - Pressure Regulator **68**
 - Transmission Range Valve **69**
 - Countershaft Brake Valve **69**
 - Valve Inserts and Breather **70**
 - Filter Assemblies **70**
 - Regulator/Filter Assemblies **71**
 - Slave Valves **71**
 - Miscellaneous Components **72**
 - Transmission Section - Oil Cooler **73**
 - TW-1 Control Valve **74**
 - TW-4 Control Valve **74**
 - Pressure Regulator **75**
 - Transmission Range Valve **75**
 - Countershaft Brake Valve **76**
 - Valve Inserts and Breather **76**
 - Filter Assemblies **77**
 - Regulator/Filter Assemblies **77**
 - Slave Valves **78**
 - Miscellaneous Components **79**
 - Oil Cooler **79**
- Air System Hoses **80**

Mack Bell Housing Components

- Bell Housing
 - Mack Application **80**
 - Components **82**

Mack Transmissions

- TRTXL-107/1070
 - 12 Speed Transmission **83**
 - Compound, Main and Rear Case Assembly **84**
 - Input Shaft Components **85**
 - Compound Case Components **85**
 - Main Case Components **86**
 - Rear Case Components **88**
 - Shifter Components **89**
 - Remote Shifter **90**
- T2050
 - 5 Speed Transmission **91**
 - Case and Cover Assemblies **93**
 - Input Shaft **93**
 - Main Case Components - Original Mainshaft Design **94**
 - Shifter Components **95**
 - Main Case Components - Current Mainshaft Design **96**
- T2060 & T2070
 - Short Auxiliary Case, Top Shift **97**
 - Compound and Main Case Assembly **98**
 - Oil Pump Components **99**
 - Input Shaft Components **100**
 - Main Case Components **100**
 - Rear Case Components **101**
 - Shifter Components **102**
- T2060A
 - 6 Speed Transmission - Kits **103**
 - Case and Cover Assembly **103**
 - Input Shaft Components **104**
 - Main Case Components **104**
 - Shifter Components **105**
- T2070 A & C
 - Long Auxiliary Case, Rear Mounted Shifter Transmission - Kits **106**
 - Compound & Main Case Assembly **107**
 - Input Shaft Components **108**
 - Main Case Components **108**

- Rear Case Components **109**
- Shifter Components **110**
- T2070 B & D
 - Long Auxiliary Case, Multi-Speed Reverse Transmission - Kits **111**
 - Compound & Main Case Assembly **112**
 - Input Shaft Components **113**
 - Main Case Components - Long Rear Case, Multi-Speed Reverse, Rear Mounted Main Shifter **114**
 - Rear Case Components **115**
 - Shifter Components **116**
- T2080, T2090 and T2100
 - 8/9/10 Speed Transmission - Short Auxiliary Case, Top Mount **117**
 - Compound and Main Case Assembly **119**
 - Oil Pump Components **120**
 - Input Shaft **120**
 - Main Case Components **121**
 - Rear Case Components - Original Design Synchronizer **122**
 - Rear Case Components - Updated Design Synchronizer **124**
 - Shifter Components **126**
- T2080B
 - 8 Speed Transmission - Kits **127**
 - Input Shaft Components **128**
 - Compound and Main Case Assembly **128**
 - Compound and Main Case Assembly **129**
 - Main Case Components **129**
 - Rear Case Components **131**
 - Synchronizer Update **133**
 - Front Shifter Components **134**
 - Rear Shifter Components **135**
- T2110 B and D
 - 11 Speed Transmission - Multi-Speed Reverse **136**
 - Input Shaft Components **137**
 - Compound and Main Case Assembly **138**
 - Main Case Components **139**
 - Rear Case Components **140**
 - Front Shifter Components **142**
 - Rear Shifter Components **143**
- T2130 and T2180
 - 13/18 Speed Transmission **144**
 - Oil Pump Components **145**
 - Input Shaft Components **146**
 - Main Case Components **146**
 - Rear Case Components **148**
 - Auxiliary Mainshaft Update **150**
 - Synchronizer Update **151**
 - Shifter Components **152**
- T309L and T310
 - Transmission **153**
 - Compound and Main Case Assembly **154**
 - Input Shaft **155**
 - Main Case Components **155**
 - Rear Case Components **156**
 - Shifter Components **158**
- T310M
 - Transmission Kits **160**
 - Compound and Main Case Assembly **162**
 - Input Shaft **162**
 - Main Case Components **163**
 - Rear Case Components **164**
 - Shifter Components **166**
- T313L and T318L
 - Transmission Kits **168**
 - Compound and Main Case Assembly **169**
 - Input Shaft **169**
 - Main Case Components **170**
 - Rear Case Components **171**
 - Shifter Components **173**
 - Speedometer Adapters **175**
 - Miscellaneous Components **176**
- Shifter Lever Components
 - Shifter Boots **177**
 - Shifter Lever **179**
- Selector Valves
 - T2070/T2080 **179**
 - T2090/T2100 **180**
 - T2130 **180**
 - T2180/T310M **181**
 - Miscellaneous Valves **181**
 - Slave Valves - Mack Transmission **182**
 - Slave Valves - Rockwell Transmission **182**

Rockwell Transmission

- 9, 10, 13 Speed
 - Auxiliary Drive Gear Assembly **183**
 - Input Shaft Assembly **183**
 - Main Case Countershaft **184**
 - Reverse Idler Assembly **185**
 - Auxiliary Countershaft Assembly **186**
 - Synchronizer and Output Shaft Assembly **187**
 - Piston Housing Assembly - Manual (9 and 10 Speed) **188**
 - Piston Housing Assembly - Air Filter Regulator (9 and 10 Speed) **188**
 - Selector Valve **189**

Volvo Transmission

- I Shift **189**

Driveshaft Components

- Universal Joints
 - Outside Snap Ring Style **190**
 - Inside Snap Ring Style **190**
 - Outside Snap Ring/Inside Snap Ring **191**
 - Bearing Plate Style **191**
 - Half Round Style **192**
 - Bearing Plate, Wing Bearing Style **192**
 - Spring Tab Style **193**
 - Wing Bearing Style Drilled Holes **193**
 - RPL Type **194**
- Hardware **195**
- Propeller Shaft
 - Slip Yokes **196**
 - Center Bearings **196**
 - Tube Shafts - Splined Midship and Slip Tube Shafts **197**
 - Yoke Tubes **197**
 - Splined Drive Yoke Reference Chart
 - Wing Type **198**
 - Bearing Plate Type **200**
 - RPL - 25R Series **204**
 - Flanged Yoke Type **206**
 - Dust Shields /Slings **206**
 - Wear Rings (Repair Sleeves) **207**

Dana/Eaton Differential

- 170 / 190 Series Heavy Tandem Axle **208**
- Gear Sets **208**

Eaton Differentials

- DS 34,38,340,380,400,341,381,401,402,451
 - Service Kits **209**
 - Forward Axle Single Reduction **210**
- DT/DP 34,38,340,380,400,341,381,401,402,451
 - Service Kits **215**
 - Forward Axle Double Reduction **215**
- RS 34,38,340,380,400,341,381,401,402,451
 - Service Kits **221**
 - Rear Axle **221**
- RT/RP 34,38,340,380,400,341,381,401,402,451
 - Service Kits **223**
 - Rear Axle **224**
- DS/DA/DD 344,404,405,45
 - Service Kits **226**
 - Forward Axle **226**
- RS/RA/RD 344,404,405,454
 - Service Kits **229**
 - Rear Axle **229**
- DD/DS 461,521,581,601
 - Service Kits **230**
 - Forward-Rear Differential **231**
- RD/RS 461,521,581
 - Service Kits **234**
 - Rear-Rear Differential **234**
- Miscellaneous Components
 - Models 461,485,521,581,601 **236**
 - Model 15201,15301 Single Axle **236**
 - Model 16200,16220 Single Axle **237**
 - Model 16244,16344 Single Axle **237**
 - Model 17221,17321,18221,18321 Single Axle **238**
 - Model 19050 Single Axle **238**
 - Model 23221,23321,26221,26321,35327 **239**
 - Model 1350 Through 20000 **239**
 - Miscellaneous Bearing, Cups and Cones **240**

International/Dana Differential

- 34,000 Lb Forward Rear N340 **240**
- Forward Rear **240**
- Gear Sets **243**
- 34/38/40000 Lb J340S/ J380S/ J400S
- Forward Rear **243**
- 46,000 Lb Forward Rear W460S **245**
- 34/38000 Lb Rear Rear G340S, J340S, J380S **247**
- 34,000 Lb Rear Rear N340 **248**
- 46000 Lb Rear Rear W460 **249**

Mack Differentials

- CRDPC 92/112
- Service Kits **250**
- CRDPC 92/112 **251**
- With Lockout **256**
- CRD 93/113
- Service Kits **258**
- CRD 93/113 **258**
- CRD 93A
- Service Kits **262**
- CRD 93A **262**
- CRD 150
- CRD 150 **265**
- w/ Lockout **268**
- CRD 150 Assembly **268**
- CRD 151
- CRD 151 **269**
- Assembly **271**
- CRDP 95 and CRD 96
- CRDP 95 **271**
- CRD 96
- CRD 96 **274**
- CRDP 200/202
- Service Kits **275**
- CRDP 200/202 **275**
- CRDP 200/202 **276**
- CRDP 200/202
- CRDP 200/202 **276**
- CRD 201/203
- CRD 201/203 **278**

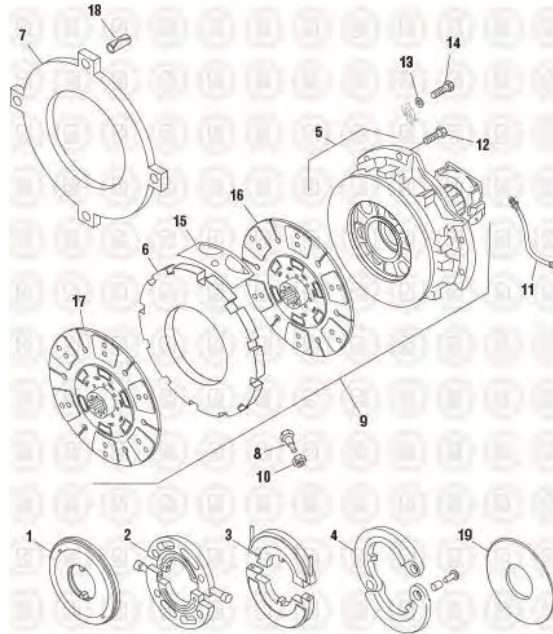
Ring Gear Key Chart **281**

Rockwell Differential

- SQHP and SQ-100
- Forward Differential **281**
- SQAR and SQR-100
- Service Kits **284**
- Rear Differential **284**
- SSHD
- Service Kits **286**
- Forward Rear Axle **286**
- Forward Rear Axle Components **288**
- SSHR
- Service Kits **289**
- Rear Differential **289**
- RD/RP/RT 17140, 20140, 34145, 40140, 40145, 44145
- Service Kits **291**
- Forward Tandem Axle **292**
- Forward Tandem Axle Output (Thru) Shaft Assembly **294**
- Single Axles 16140, 16141, 17140, 17141, 17145, 19145, 20140, 20145, 21134, 22145 Rear-Rear Axle for Tandems 34145, 40140, 40145, 44145
- Service Kits **295**
- Single Axle/Rear Tandem Axles Rear-Rear **296**
- RD/RP 20160, 23160, 23164, 25160, 26160
- Service Kits **298**
- Forward Tandem Axle **298**
- Forward Tandem Axle Output (Thru) Shaft Assembly **301**
- RS 21160/161, 23160/161, 24160/161, 25160/161, 26160/161, RR 20160, 23160, 23164, 25160, 26160
- Service Kits **301**
- Single Axle and Rear Tandem Axle **302**
- Miscellaneous Components
- Miscellaneous Components **304**
- Miscellaneous Gear Sets **304**
- Miscellaneous Bearing, Cups and Cones **305**

Drive Axles

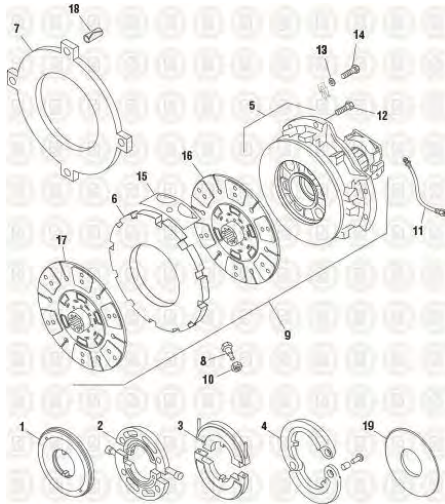
- Flange Axle Gasket **306**
- Flanged Axle **307**
- Additional Components
- Spacer and Shim Chart **308**
- Seals **312**



CLUTCH SECTION – CLUTCH COMPONENTS

KEY	OEM REF.	DESCRIPTION	KEY	OEM REF.	DESCRIPTION
1	MAK495KB241P1	BRAKE, Clutch, Torque Limiting (2in Input Shaft)	5	MAK11HB4254P4	PLATE, Pressure, Assembly (15-1/2incDia.) (3600 lb) (Easy Pedal) (2in x 10 Spline) (For 9 Spring Application)
1	MAK495KB241P2	BRAKE, Clutch, Torque Limiting (1-3/4in Input Shaft)	5	DAN155698-6	PLATE, Pressure, Assembly (15-1/2in Dia.) (4000lb) (Easy Pedal Type) (2in x 10 Spline) (For Ceramic Application)
2	MAK2104-127200	BRAKE, Clutch (2 pc.) (2in Input Shaft) (Aluminum)	6	DAN125197	PLATE, Intermediate (14in Dia.)
3	N/A	BRAKE, Clutch (2 pc.) (1-3/4in Input Shaft) (Steel)	6	MAK597HB328	PLATE, Intermediate (14in Dia.) (.810in thick)
3	N/A	BRAKE, Clutch (2 pc.) (2in Input Shaft) (Steel)	6	MAK2104-113C49	PLATE, Intermediate (14in Dia.) (.630in thick)
4	MAK5063-BK313	BRAKE,Clutch (2in Input Shaft) (Steel)	7	MAK2104-125324	PLATE, Intermediate (8.562in I.D.) (15-1/2in Dia.) (.760in thick)
4	N/A	BRAKE, Clutch (2in Input Shaft) (Snap Lock)	7	N/A	PLATE, Intermediate (8.562in I.D.) (15-1/2in Dia.) (.810in thick)
4	N/A	BRAKE, Clutch (+.062in thicker) (2in Input Shaft)(Snap Lock)	7	MAK597HB340	PLATE, Intermediate (9.903in I.D.) (15-1/2in Dia.) (.760in thick)
4	N/A	BRAKE, Clutch (+.125in thicker) (2in Input Shaft) (Snap Lock)	8	MAK2104-274C6	PIN, Intermediate Plate Drive
4	N/A	BRAKE, Clutch (1-3/4in Input Shaft) (Snap Lock)	8	MAK183GC191	PIN, Intermediate Plate Drive (Threaded) (Lg.)
5	MAK2104-1453901	PLATE, Pressure, Assembly (14in Dia.) (3600 lb) (Easy Pedal Type)(2in x 10 Spline)	8	MAK183GC145	PIN, Clutch, Intermediate Plate Drive
5	MAK11HB4152P2	PLATE, Pressure, Assembly (14in Dia.) (3600 lb) (2in x 10 Spline)	9	N/A	ASSEMBLY,Clutch
5	DAN145400-4	PLATE, Pressure, Assembly (14in Dia.) (3600 lb) (Easy Pedal Type) (1-3/4in x 10 Spline)	10	MAK21AX814	NUT
5	MAK11HB4246P2	PLATE, Pressure, Assembly (15-1/2in Dia.) (3600 lb) (2in x 10 Spline)	11	FULCLT008P	ASSEMBLY, Hose (Lubrication) (8in Lg.) (1/8in P.T.)
5	MAK11HB4152P3	PLATE, Pressure, Assembly (14in Dia.) (3600 lb) (1-3/4in x 10 Spline)	11	MAK36RU170	ASSEMBLY, Hose (Lubrication) (13-1/2in Lg.)(1/8in P.T.)

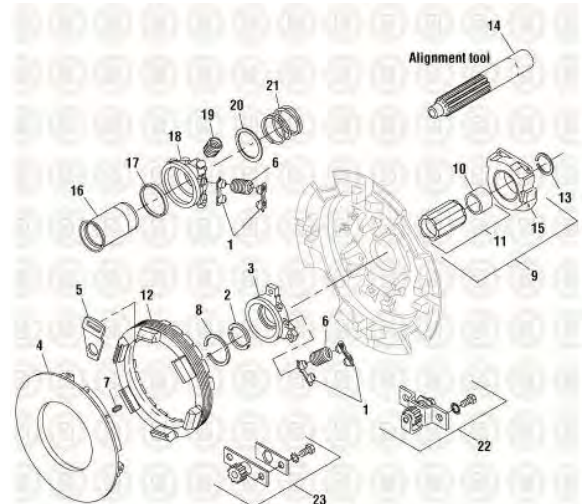
Continued



CLUTCH SECTION – CLUTCH COMPONENTS

Continued

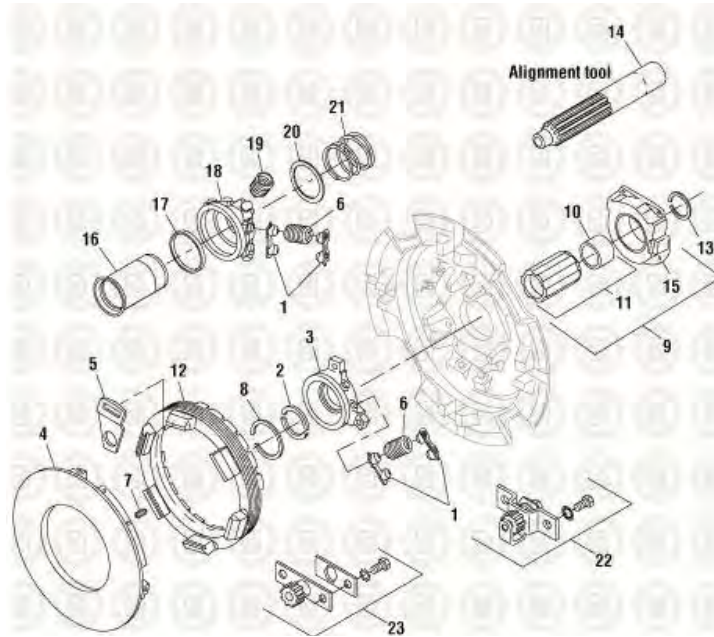
KEY	OEM REF.	DESCRIPTION
11	MAK36RU171	ASSEMBLY, Hose (Lubrication) (15in Lg.) (1/8in P.T.)
11	MAK42QE2308	ASSEMBLY, Hose (Lubrication) (10-1/4in Lg.)(1/8in P.T.)
12	MAK419GC114	SCREW, Clutch Mounting (14in) (3/8-16in x 1-1/4in)
12	MAK419GC115	SCREW, Clutch Mounting (15-1/2in) (7/16-14in x 2-1/2in)
13	MAK36AX3	WASHER, Lock
14	MAK4AX17	SCREW (3/8-16in x 7/8in)
15	MAK761HB123	SPRING, Anti-Rattle
16	N/A	DISC, Clutch, Rear
17	N/A	DISC, Clutch, Rear
18	MAK2104-123C80	PIN, Roll, Separator, Intermediate Plate
19	DAN125C-41	SPACER, Brake (2in Input Sh)



CLUTCH COMPONENTS – CLUTCH DISCS – 14 IN DISC DIAMETER

KEY	OEM REF.	DESCRIPTION
1	MAK2104-178C6	PIVOT, Spring (6 req'd)
2	MAK2104-236C8	RING, Retaining, Clutch Sleeve (1-3/4in)
2	MAK2104-236C18	RING, Retaining, Clutch Sleeve (2in)
3	MAK2104-242C34	RETAINER, Sleeve (2in) (for Valueline Clutch application)
3	MAK2104-242C109	RETAINER, Sleeve(2in) (for Stamped Angle Spring Clutches)
3	MAK2104-242C101	RETAINER Sleeve (1-3/4in) (for Stamped Angle Spring Clutches)
3	MAK2104-242C32	RETAINER, Sleeve (1-3/4in) (for Valueline Clutch application)
4	MAK301SC42	PLATE, Pressure (14in)
5	MAK2104-173C54	LEVER, Clutch (6 req'd) (Pin style)
5	MAK2104-173C73	LEVER, Clutch (6 req'd)
6	DAN277C-216	SPRING, Clutch (3600 Lb.) (6 req'd)
6	MAK2104-277C96	SPRING, Clutch (2800 Lb.) (6 req'd)
6	MAK2104-277C88	SPRING, Clutch (3200 Lb.) (6 req'd)
7	MAK2104-230C22	SPRING, Return (4 req'd)
8	MAK2104-236C20	RING, Retaining
9	MAK85105621	ASSEMBLY, Release Sleeve & Bearing (2in) (Greaseable)
9	MAK2104-127859	ASSEMBLY, Release Sleeve & Bearing (2in) (Greaseable)

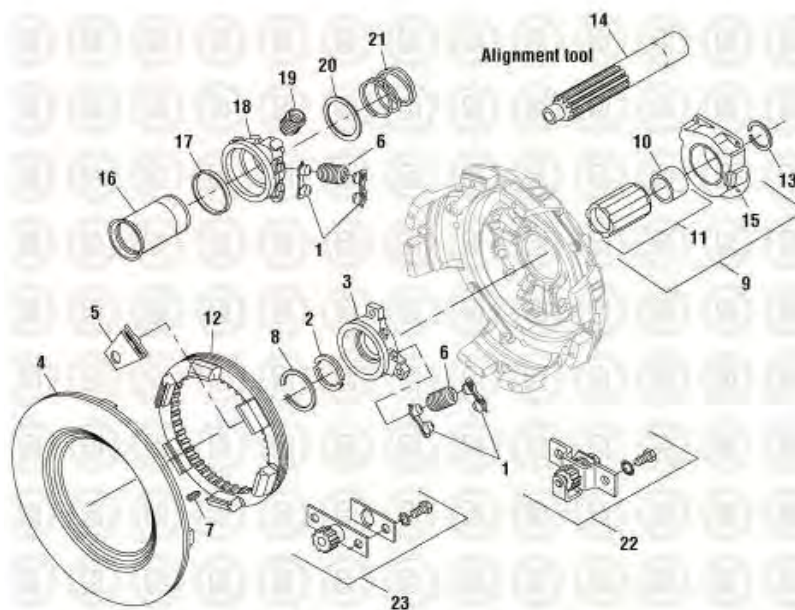
Continued



CLUTCH COMPONENTS – CLUTCH DISCS – 14 IN DISC DIAMETER

Continued

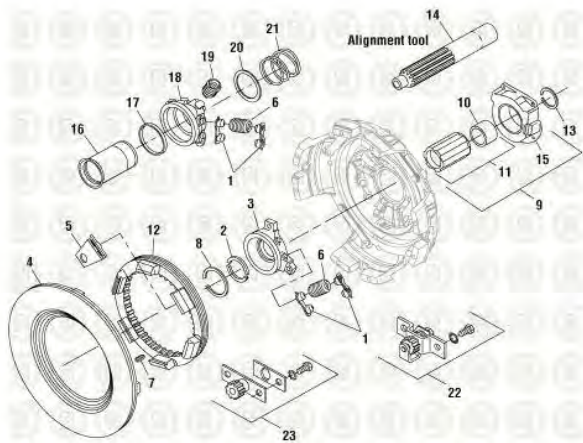
KEY	OEM REF.	DESCRIPTION	KEY	OEM REF.	DESCRIPTION
9	MAK2104-127860X	ASSEMBLY, Release Sleeve & Bearing (1-3/4in) (Greaseable)	16	DAN125388	ASSEMBLY, Sleeve (2in) (w/ Bushing) (for Easy Pedal Application)
9	MAK2104-127865	ASSEMBLY, Release Sleeve & Bearing (2in)(w/ Sealed Bearing)	17	DAN200C-155	SEAT, Sleeve (Thrust Washer) (for Easy Pedal Application)
9	MAK2104-127889	ASSEMBLY, Release Sleeve & Bearing (1-3/4in) (Single Disc Application) (Greaseable)	18	DAN242C-173	RETAINER, Sleeve (for Easy Pedal Application)
9	MAK2104-127864	ASSEMBLY, Release Sleeve & Bearing (1-3/4in) (w/ Sealed Bearing)	19	DAN277C-353	SPRING, Assist (3 req'd) (for Easy Pedal Application)
10	MAK2104-257C29	BUSHING, Release Sleeve (1-3/4in)	20	DAN200C-156	WASHER, Sleeve (for Easy Pedal Application)
10	MAK2104-257C30	BUSHING, Release Sleeve (2in)	21	DAN277C-403	SPRING, Sleeve (for Easy Pedal Application)
11	MAK2104-127857	SLEEVE (1-3/4in) (w/Bushing)	22	DAN125489	ADJUSTER, Spring Loaded
11	MAK2104-127393	SLEEVE (2in) (w/Bushing)	23	DAN125300	ADJUSTER
12	DAN195C-98	RING, Adjusting (Acme Thread)			
12	MAK2104-195C69	RING, Adjusting (Self-Adjusting)			
13	MAK2104-236C13	RING, Retaining			
14	N/A	TOOL, Clutch Alignment (1-3/4in x 10 Spline Pilot dia. 1.180)			
14	N/A	TOOL, Clutch Alignment (2in x 10 Spline Pilot dia. 1.180)			
15	MAK2104-127879	ASSEMBLY, Release Bearing & Housing (Without Sleeve) (Greaseable) (for Easy Pedal & Valueline Applications)			



CLUTCH SECTION – CLUTCH COMPONENTS – 15 1/2 IN CLUTCH

KEY	OEM REF.	DESCRIPTION	KEY	OEM REF.	DESCRIPTION
1	MAK2104-178C6	PIVOT, Spring (6 req'd)	8	MAK2104-236C20	RING, Retaining
2	MAK2104-236C8	RING, Retaining, Clutch Sleeve (1-3/4in)	9	MAK85105621	ASSEMBLY, Release Sleeve & Bearing (2in) (Greaseable)
2	MAK2104-236C18	RING, Retaining, Clutch Sleeve (2in)	9	MAK2104-127859	ASSEMBLY, Release Sleeve & Bearing (2in)(Greaseable)
3	MAK2104-242C34	RETAINER, Sleeve (2in) (for Valuline Clutch Applications)	9	MAK2104-127860X	ASSEMBLY, Release Sleeve & Bearing (1-3/4in)(Greaseable)
3	MAK2104-242C32	RETAINER, Sleeve (1-3/4in) (for Valuline Clutch Applications)	9	MAK2104-127865	ASSEMBLY, Release Sleeve & Bearing (2in)(w/ Sealed Bearing)
4	DAN170C-536	PLATE, Pressure (15-1/2in Dia.) (For Ceramic Application) (Strap driven)	9	MAK2104-127889	ASSEMBLY, Release Sleeve & Bearing (1-3/4in) (Single Disc Application) (Greaseable)
4	MAK2104-170C452	PLATE, Pressure (15-1/2in Dia.) (For Ceramic Application) (Retractor Spring Driven)	9	MAK2104-127864	ASSEMBLY, Release Sleeve & Bearing (1-3/4in) (w/Sealed Bearing)
4	MAK2104-170C385	PLATE, Pressure (15-1/2in) (For Organic Application)	10	MAK2104-257C29	BUSHING, Release Sleeve (1-3/4in)
5	MAK2104-173C54	LEVER, Clutch (6 req'd)(Pin style)	10	MAK2104-257C30	BUSHING, Release Sleeve (2in)
5	MAK2104-173C73	LEVER, Clutch (6 req'd)	11	MAK2104-127857	SLEEVE (1-3/4in) (w/ Bushing)
6	DAN277C-216	SPRING, Clutch (3600 Lb.)(6 req'd)	11	MAK2104-127393	SLEEVE (2in) (w/ Bushing)
6	DA N277C-383	SPRING, Clutch (4000 Lb.) (6 req'd)	12	DAN195C-98	RING, Adjusting (Acme Thread)
6	DAN277C-418	SPRING, Clutch (4200 Lb.) (6 req'd)	12	MAK2104-195C69	RING, Adjusting
6	MAK2104-277C96	SPRING, Clutch (2800 Lb.) (6 req'd)	13	MAK2104-236C13	RING, Retaining
6	MAK2104-277C88	SPRING, Clutch (3200 Lb.) (6 req'd)			
7	MAK2104-230C22	SPRING, Return (4 req'd)			

Continued



CLUTCH SECTION – CLUTCH COMPONENTS – 15 1/2 IN CLUTCH

Continued

KEY	OEM REF.	DESCRIPTION
14	N/A	TOOL, Clutch Alignment (1-3/4in x 10 Spline; Pilot dia. 1.180)
14	N/A	TOOL, Clutch Alignment (2in x 10 Spline; Pilot dia. 1.180)
15	MAK2104-127879	ASSEMBLY, Release Bearing & Housing (Without Sleeve)(Greaseable) (for Easy Pedal & Valueline Applications)
16	DAN125388	ASSEMBLY, Sleeve (2in) (w/ Bushing) (for Easy Pedal Application)
17	DAN200C-155	SEAT, Sleeve (Thrust Washer) (for Easy Pedal Application)
18	DAN242C-173	RETAINER, Sleeve (for Easy Pedal Applications)
19	DAN277C-353	SPRING, Assist (3 req'd) (for Easy Pedal Application)
20	DAN200C-156	WASHER, Sleeve (for Easy Pedal Application)
21	DAN277C-403	SPRING, Sleeve (for Easy Pedal Application)
22	DAN125489	ADJUSTER, Spring Loaded
23	DAN125300	ADJUSTER



CLUTCH COMPONENTS – CLUTCH ASSEMBLY – AUTO SELF-ADJUSTING

KEY	OEM REF.	DESCRIPTION
	DAN209701-74	SPLINES, 15½ in x 2 in x 10
	DAN209701-73	SPLINES, 15½ in x 2 in x 10
	DAN209701-61	SPLINES, 15½ in x 2 in x 10
	DAN209701-85	SPLINES, 15½ in x 2 in x 10
	DAN209701-32	SPLINES, 15½ in x 2 in x 10 Included Spline Saver 10 Splines
	DAN209701-82	SPLINES, 15½ in x 2 in x 10
	DAN209701-92	SPLINES, 15½ in x 2 in x 10

CLUTCH COMPONENTS – CLUTCH ASSEMBLY – SPEED-SHIFT - LOW PEDAL EFFORT HEAVY DUTY CLUTCH



KEY **OEM REF.** **DESCRIPTION**
 DAN108391-82 15-1/2in x 2in x 10
 Dual Zerk
 Not for flywheel with 10in opening



KEY **OEM REF.** **DESCRIPTION**
 DAN108391-78 15-1/2in x 2in x 10
 Dual Zerk
 Not for flywheel with 10in opening



KEY **OEM REF.** **DESCRIPTION**
 DAN108391-81 15-1/2in x 2in x 10



KEY **OEM REF.** **DESCRIPTION**
 DAN108391-81 15-1/2in x 2in x 10



KEY **OEM REF.** **DESCRIPTION**
 DAN108935-51 15-1/2in x 2in x 10
 Dual Zerk
 Mack Application only



KEY **OEM REF.** **DESCRIPTION**
 DAN108391-74B 15-1/2in x 2in x 10



KEY **OEM REF.** **DESCRIPTION**
 DAN108925-85 15-1/2in x 2in x 10
 Dual Zerk



KEY **OEM REF.** **DESCRIPTION**
 DAN108925-85 15-1/2in x 2in x 10
 Dual Zerk



KEY **OEM REF.** **DESCRIPTION**
 DAN108935-94 15-1/2in x 2in x 10
 Dual Zerk
 Mack Application only



KEY **OEM REF.** **DESCRIPTION**
 DAN108391-93 15-1/2in x 2in x 10
 Dual Zerk

CLUTCH COMPONENTS – CLUTCH ASSEMBLY – SPEED-SHIFT - LOW PEDAL EFFORT HEAVY DUTY CLUTCH



KEY	OEM REF.	DESCRIPTION
	DAN108925-25	15-1/2in x 2in x 10 Dual Zerk



KEY	OEM REF.	DESCRIPTION
	DAN108035-82	14in x 1-3/4in x 10



KEY	OEM REF.	DESCRIPTION
	DAN108063-59	14in x 1-3/4in x 10



KEY	OEM REF.	DESCRIPTION
	DAN108034-82	14in x 2in x 10



KEY	OEM REF.	DESCRIPTION
	DAN108034-61	14in x 2in x 10



KEY	OEM REF.	DESCRIPTION
	DAN108050-59	14in x 2in x 10 Dual Zerk Super Duty



KEY	OEM REF.	DESCRIPTION
	MAK2104-1080501A	14in x 2in x 10 Super Duty



KEY	OEM REF.	DESCRIPTION
	DAN108034-30B	14in x 2in x 10

**CLUTCH COMPONENTS – CLUTCH ASSEMBLY –
 STANDARD ANGLED CLUTCH ASSEMBLY**



KEY **OEM REF.** **DESCRIPTION**
 MAK11HB4155AP2 14in x 1-3/4 x 10



KEY **OEM REF.** **DESCRIPTION**
 DAN107091-82 15-1/2in x 2 x 10
 Not for flywheel with 10in opening



KEY **OEM REF.** **DESCRIPTION**
 DAN107091-78 15-1/2in x 2 x 10
 Not for flywheel with 10in opening



KEY **OEM REF.** **DESCRIPTION**
 DAN107091-81 15-1/2in x 2 x 10



KEY **OEM REF.** **DESCRIPTION**
 DAN107091-55 15-1/2in x 2 x 10



KEY **OEM REF.** **DESCRIPTION**
 MAK11HB59P66 15-1/2in x 2 x 10
 Sealed Release Bearing



KEY **OEM REF.** **DESCRIPTION**
 DAN107925-82 15-1/2in x 2 x 10
 Dual Zerk



KEY **OEM REF.** **DESCRIPTION**
 DAN107935-51 15-1/2in x 2 x 10
 Dual Zerk
 Mack application only



KEY **OEM REF.** **DESCRIPTION**
 DAN107091-74 15-1/2in x 2 x 10



KEY **OEM REF.** **DESCRIPTION**
 DAN107034-30 14in x 2 x 10

**CLUTCH COMPONENTS – CLUTCH ASSEMBLY –
 STANDARD ANGLED CLUTCH ASSEMBLY**



KEY	OEM REF.	DESCRIPTION
	DAN107034-19	14in x 2 x 10



KEY	OEM REF.	DESCRIPTION
	MAK2104-10705052	14in x 2 x 10



KEY	OEM REF.	DESCRIPTION
	DAN107034-82	14in x 2 x 10



KEY	OEM REF.	DESCRIPTION
	DAN107034-61	14in x 2 x 10



KEY	OEM REF.	DESCRIPTION
	DAN107050-59	14in x 2 x 10 Dual Zerk Super Duty

**CLUTCH COMPONENTS – CLUTCH ASSEMBLY –
 MEDIUM DUTY CLUTCH - STAMPED STEEL COVERS**



KEY	OEM REF.	DESCRIPTION
	DAN107683-5	14in x 1-3/4in x 10 Single Plate



KEY	OEM REF.	DESCRIPTION
	DAN107237-10	14in x 1-3/4in x 10 Two Plate



KEY	OEM REF.	DESCRIPTION
	DAN107237-22	14in x 1-3/4in x 10 Two Plate



KEY	OEM REF.	DESCRIPTION
	DAN107237-24	14in x 1-3/4in x 10 Two Plate



KEY	OEM REF.	DESCRIPTION
	DAN107342-12	14in x 2in x 10 Two Plate

**CLUTCH COMPONENTS – CLUTCH ASSEMBLY –
 MEDIUM DUTY CLUTCH - STAMPED STEEL COVERS**



KEY	OEM REF.	DESCRIPTION
	DAN107342-24	14in x 2in x 10 Two Plate



KEY	OEM REF.	DESCRIPTION
	DAN104200-1	365mm x 1-3/4in x 10 Two Plate



KEY	OEM REF.	DESCRIPTION
	DAN107606-1	310mm x 1-1/2in x 10 Single Plate



KEY	OEM REF.	DESCRIPTION
	DAN104100-2	365mm x 1-3/4in x 10 Single Plate



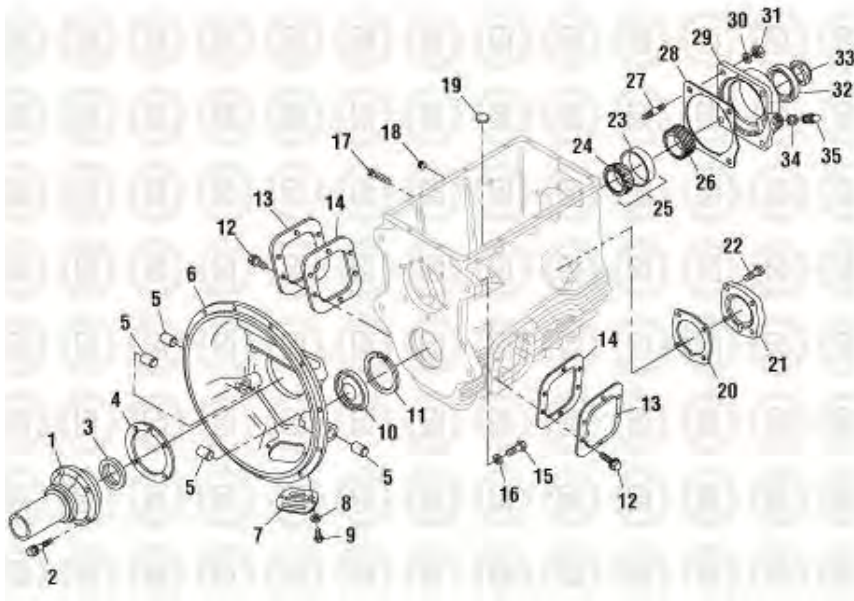
KEY	OEM REF.	DESCRIPTION
	DAN107621-1	350mm x 1-1/2in x 10 Single Plate



KEY	OEM REF.	DESCRIPTION
	DAN104100-1	365mm x 1-3/4in x 10 Single Plate

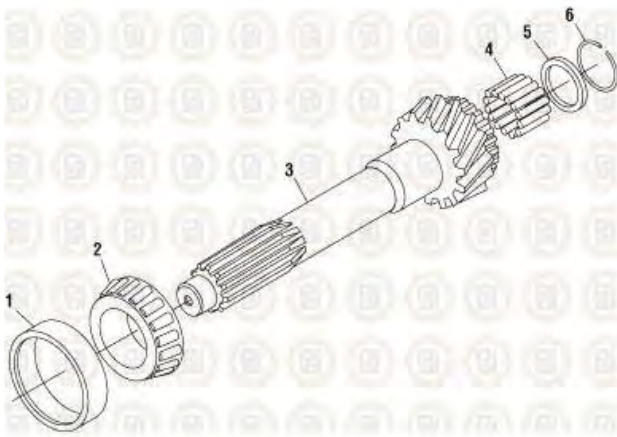


KEY	OEM REF.	DESCRIPTION
	DAN107350-4	350mm x 1-1/2in x 10 Single Plate Includes release bearing



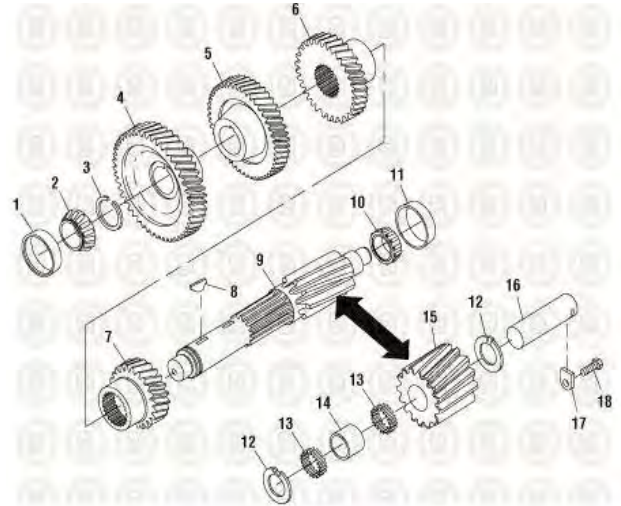
FULLER TRANSMISSIONS – FS 4005 – CASE ASSEMBLY

KEY	OEM REF.	DESCRIPTION	KEY	OEM REF.	DESCRIPTION
1	FUL4300882	COVER, Front Bearing	23	FUL654166	CUP, Bearing
2	MAK4AX17	SCREW	24	FUL654137	CONE, Bearing
3	FUL4300798	SEAL, Front	25	FULK-3919	KIT, Bearing
3	DDC5116224	SEAL, Front	26	FUL21555	GEAR, Speedo
3	FUL4300121	SEAL, Front	26	FUL3314356	GEAR, Speedo Drive (5 Teeth)
4	FUL240321	GASKET, Cover	26	FUL331448	GEAR, Speedo Drive (6 Teeth)
5	FUL12815	BUSHING	26	FUL86301	GEAR, Speedo Drive (5 Teeth)
5	FUL8677	BUSHING	27	FUL239433	STUD (1/2in-20x2-5/16in)
6	FULA-5205	HOUSING, Bell	28	FUL240329	SHIM (.004)
7	FUL23380	COVER	28	FUL240330	SHIM (.007)
8	MAK36AX1	WASHER	28	FUL240331	SHIM (.010)
9	FUL1C408	CAPSCREW	28	FUL240332	SHIM (.020)
10	FUL239783	CUP, Countershaft	28	FUL4300981	SHIM (.040)
11	FUL240040	RING, Retaining	29	FUL4300846	COVER, Rear Bearing
12	MAK6AX1304X	SCREW	29	FUL4300877	COVER, Rear Bearing
13	FUL201398	COVER, PTO	29	FUL4300972	COVER, Rear Bearing
14	FUL1684	GASKET	29	FUL4301053	COVER, Rear Bearing
15	FULX-8-903	SCREW	30	MAK36AX5	WASHER
16	FUL4E09	WASHER	31	MAK20AX5	NUT
17	MAK49AX224	PLUG	32	FUL4300203	SEAL
18	MAK49AX235	PLUG	32	FUL208385	SEAL
19	FUL14373	MAGNET	33	ROK1227-Z-936	NUT
20	FUL240017	SHIM (.004)	34	FUL4301954	SEAL, Sensor
20	FUL240018	SHIM (.007)	35	FUL86016	SLEEVE
20	FUL240019	SHIM (.010)			
20	FUL240020	SHIM (.020)			
20	FUL4300980	SHIM (.040)			
21	FUL4300261	COVER, Rear Bearing			
22	MAK4AX1	SCREW			



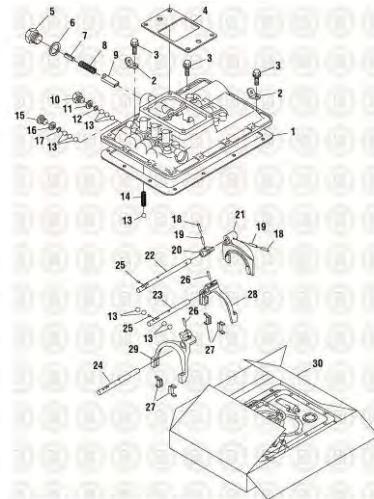
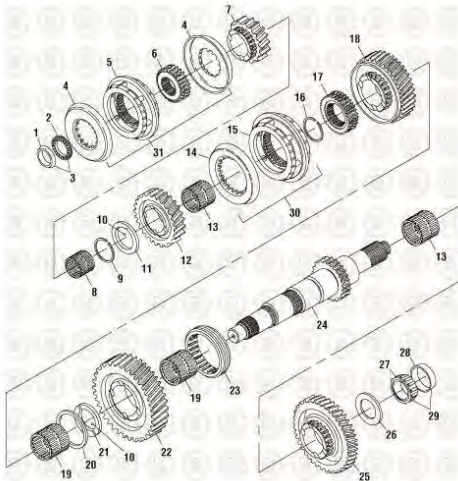
FULLER TRANSMISSIONS – FS 4005 – INPUT SHAFT

KEY	OEM REF.	DESCRIPTION
1	FUL235417	CUP, Bearing (1-3/4in Input Shaft)
1	MAK64AX283	CUP, Bearing (1-1/2in Input Shaft)
2	FUL235418	CONE, Bearing (1-3/4in Input Shaft)
2	MAK62AX460	CONE, Bearing (1-1/2in Input Shaft)
3	FUL239809	PINION, Input (B, C Ratio) (1-1/2in x 10 Spline, Push Clutch)
3	FUL238903	PINION, Input (A Ratio) (1-1/2in Push Clutch)
3	FUL240489	PINION, Input (B, C Ratio) (1-3/4in Push/Pull Clutch)
3	FUL3315536	PINION, Input (B, C Ratio) (1-3/4in Push/Pull Clutch)
3	FUL3315857	PINION, Input (A Ratio) (1-3/4in Push/Pull Clutch)
3	FUL239813	PINION, Input (A Ratio)
4	FUL235414	BEARING, Roller
5	FUL235415	WASHER
6	FUL235416	RING, Retaining



FULLER TRANSMISSIONS – FS 4005 COUNTERSHAFT & IDLER GEAR

KEY	OEM REF.	DESCRIPTION
1	TIM25821	CUP
2	TIM25877	CONE
3	FUL224069	RING, Retaining
4	FUL241012	GEAR, Countershaft (A Ratio)
4	FUL241013	GEAR, Countershaft (B, C Ratio)
5	FUL4301717	GEAR, 4th (A, B Ratio)
5	FUL241015	GEAR, 4th (C Ratio)
6	FUL241016	GEAR, 3rd
7	FUL241017	GEAR, 2nd
8	FUL230292	KEY
9	FUL241018	COUNTERSHAFT
10	FUL666554	CONE, Bearing
11	FUL730362	CUP, Bearing
12	FUL240023	WASHER
13	FUL235376	BEARING, Roller
14	FUL240024	WASHER
15	FUL4301592	GEAR, Idler
16	FUL240022	SHAFT, Idler
17	FUL201929	LOCK
18	MAK4AX1	SCREW (3/8in-16 x 1in)

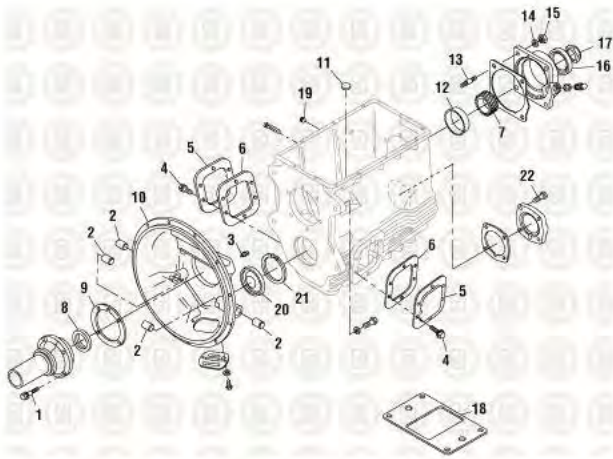


FULLER TRANSMISSIONS – FS 4005 MAINSHAFT ASSEMBLY

FULLER TRANSMISSIONS – FS 4005 SHIFTER COMPONENTS

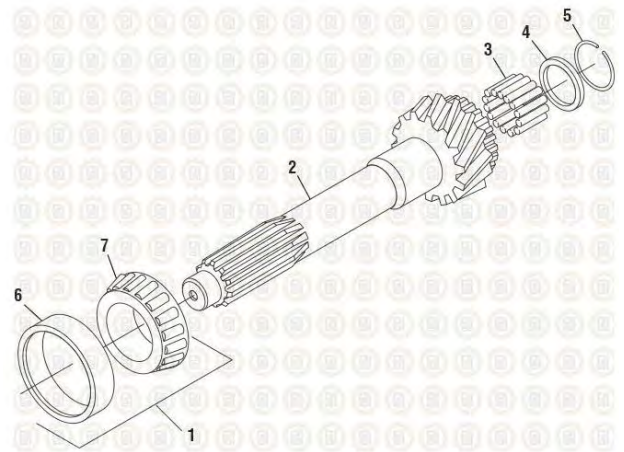
KEY	OEM REF.	DESCRIPTION
1	FUL235383	RACE, Bearing
2	FUL235382	BEARING, Thrust
3	FULK-3704	KIT, Bearing Includes Bearings (1) 900610 (1) 900611
4	FUL228296	CUP, Synchronizer
5	FULA-5401	ASSEMBLY, Synchronizer
6	FUL23694	HUB, Clutch
7	FUL22079	GEAR, Mainshaft 4th (A, B Ratio)
7	FUL239815	GEAR, Mainshaft 4th (C Ratio)
8	FUL239651	BEARING, Roller
9	FUL224069	RING, Retaining
10	FUL10J06	BALL (3/16in)
11	FUL23127	WASHER
12	FUL21546	GEAR, Mainshaft 3rd
13	FUL239818	BEARING, Roller
14	FUL228306	CUP, Synchronizer
15	FULA-5693	ASSEMBLY, Synchronizer
16		RING, Retaining
17	FUL21547	HUB, Clutch
18	FUL21545	GEAR, Mainshaft 2nd
19	FUL239653	BEARING, Roller
20	FUL235379	RETAINER
21	FUL235378	WASHER, Split
22	FUL239787	GEAR, Mainshaft 1st
23	FUL239832	CLUTCH, Sliding
24	FUL23695	MAINSHAFT
25	FUL239789	GEAR, Reverse
26	FUL240026	WASHER
27	FUL654137	CONE, Bearing
28	FUL654166	CUP, Bearing
29	FULK-3919	KIT, Bearing Includes Bearings (1)900491 (1)900531
30	FULK-2113	KIT, Synchronizer
31	FULK-2114	KIT, Synchronizer

KEY	OEM REF.	DESCRIPTION
1	FUL240038	GASKET, Rail Housing
2	FUL238370	EYE, Lifting
3	MAK4AX1	SCREW
4	FUL4301958	GASKET, Lever Housing
5	FUL235621	PLUG (1in)
6	FUL235622	GASKET, Plug
7	FUL240496	SPACER
8	FUL233794	SPRING
9	FUL23576	PLUNGER
10	FUL4303656	PLUG (9/16in-18)
11	FUL15900	GASKET
12	FUL4301719	RETAINER, Ball
13	FUL10J14	BALL (7/16in)
14	FUL4303939	SPRING
15	MAK6635-8HP5ONS	PLUG (3/4in - 16)
16	FUL17179	GASKET
17	FUL4301718	RETAINER, Ball
18	FUL1JM3528	PIN
19	FUL1JM6028	PIN
20	FUL4300402	SHIFTER, Block,1st/Reverse
21	FUL4300401	YOKE, Shift 1st/Reverse
22	FUL4300400	RAIL, 1st/Reverse Yoke
23	FUL21548	RAIL, 2nd/3rd Yoke
24	FUL4300429	RAIL, 4th/5th Yoke
25	FUL201044	PIN
26	FUL14J1818	PIN
27	FUL227675	INSERT, Yoke
28	FUL240322	YOKE, 2nd/3rd
29	FUL240324	YOKE, 4th/5th
30	FULK-2143	SET, Gasket



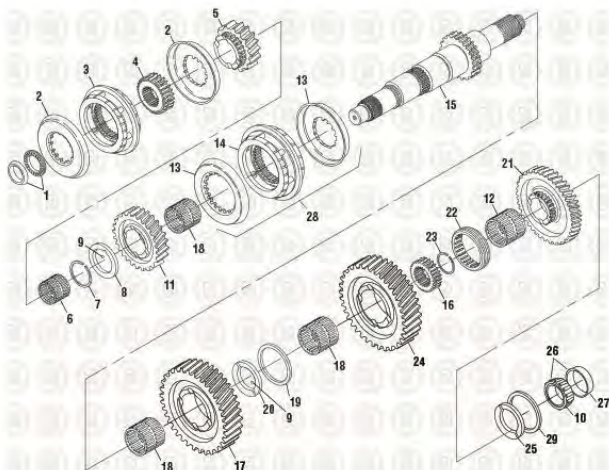
FULLER TRANSMISSIONS – FS 4205A – CASE ASSEMBLY

KEY	OEM REFERENCE	DESCRIPTION
1	MAK4AX17	SCREW
2	FUL12815	BUSHING
2	FUL8677	BUSHING
3	MAK44AX65	FITTING
4	MAK6AX1304X	SCREW
5	FUL201398	COVER, PTO
6	FUL1684	GASKET
7	FUL21555	GEAR, Speedo
8	FUL4300798	SEAL
8	FUL4300204	SEAL
8	FUL4300121	SEAL
9	FUL240321	GASKET
10	FULA-5205	HOUSING, Bell
11	FUL14373	MAGNET
12	FULK-3919	KIT, Bearing
13	FUL23944	STUD
14	MAK36AX5	WASHER
15	MAK20AX5	NUT
16	FUL 4300203	SEAL (for 2.503in Shaft)
17	FUL14704	NUT
18	FUL4301958	GASKET
19	MAK49AX224	PLUG
20	FUL239783	CUP, Countershaft
21	FUL240040	RING, Retaining
22	MAK4AX1	SCREW



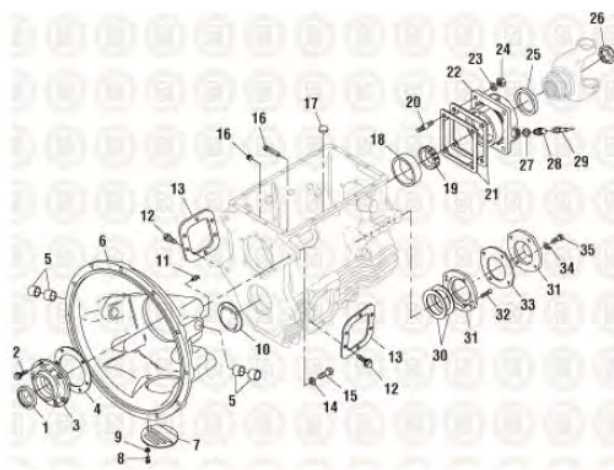
FULLER TRANSMISSIONS – FS 4205A – INPUT SHAFT

KEY	OEM REF.	DESCRIPTION
1	FULK-4153	KIT, Bearing (1-3/4in Input Shaft) Includes Bearing (1)900533 (1)900494
1	FULK-4154	KIT, Bearing (1-1/2in Input Shaft) Includes Bearings (1)GCU-6692 (1)GBG-6691
2	FUL4301625	PINION, Input (1-3/4in Push/Pull Clutch) (FS 4205B) (Use Front Bearing Cover 23147)
2	FUL4301526	PINION, Input (1-1/2in Push Clutch)
2	FUL4301614	PINION, Input (1-3/4in Push/Pull Clutch)
2	FUL4301615	PINION, Input (1-1/2in Push/Pull Clutch)
2	FUL4301616	PINION, Input (1-1/2in Push Clutch)
2	FUL4301618	PINION, Input (1-1/2in Push Clutch)
2	FUL4301620	PINION, Input (1-1/2in Push Clutch)
2	FUL4301622	PINION, Input (1-3/4in Push Clutch)
3	FUL235414	BEARING
4	FUL235415	WASHER
5	FUL235416	RING
6	FUL235417	CUP, Bearing (1-3/4in Input Shaft)
6	MAK64AX283	CUP, Bearing (1-1/2in Input Shaft)
7	FUL235418	CONE, Bearing (1-3/4in Input Shaft)
7	MAK62AX460	CONE, Bearing (1-1/2in Input Shaft)



FULLER TRANSMISSIONS – FS 4205A – MAINSHAFT ASSEMBLY

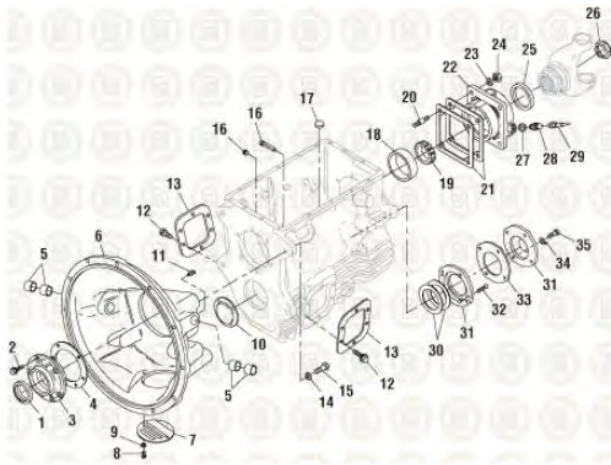
KEY	OEM REF.	DESCRIPTION
1	FULK-3704	KIT, Bearing
2	FUL3001435	CUP, Synchronizer
3	FULA-6609	ASSEMBLY, Synchronizer
4	FUL4303689	HUB, Clutch (4th/5th)(FS 4205A, FS 5205A)
5	FUL4303796	GEAR, Mainshaft 4th
6	FUL239651	BEARING
7	FUL224069	RING
8	FUL23127	WASHER
9	FUL10J06	BALL
10	FUL654137	CONE
11	FUL4301528	GEAR, Mainshaft 3rd
12	FUL239818	BEARING
13	FUL4301467	CUP, Synchronizer
14	FULA-6608	ASSEMBLY, Synchronizer
15	FUL240037	RING
16	FUL4301533	HUB, Clutch
17	FUL4301529	GEAR, Mainshaft 2nd
18	FUL239653	BEARING
19	FUL235379	RETAINER
20	FUL235378	WASHER
21	FUL4301530	GEAR, Mainshaft 1st
22	FUL4301566	CLUTCH, Sliding
23	FUL4301532	MAINSHAFT (4205 A,B,C)
24	FUL4301531	GEAR, Reverse
25	FUL240026	WASHER
26	FULK-3919	KIT,Bearing Includes Bearings (1) 900531 (1) 900491
27	FUL654166	CUP
28	FULK-3421	KIT,Synchronizer Includes Synchronizer Assembly (1) 900114 Cups (2) 900121



FULLER TRANSMISSIONS – FS 5106 – CASE ASSEMBLY

KEY	OEM REF.	DESCRIPTION
1	FUL4300798	SEAL, Front
1	DDC5116224	SEAL, Front
1	FUL4300121	SEAL, Front
1	FUL19110	SEAL, Front
2	MAK4AX17	SEAL
3	FUL21893	COVER, Front Bearing (Push) (use w/ Seal 136013)
3	FUL3316171	COVER, Front Bearing (Pull) (use w/ Seal 900571)
3	FUL4300887	COVER, Front Bearing (Push) (use w/ Seal 636007)
4	FUL3315659	GASKET, Cover
5	FUL12815	BUSHING
5	FUL8677	BUSHING
6	FULA-5205	HOUSING ,Bell (#2 Push)
6	FULA-5634	HOUSING, Bell (#2 Pull)
6	FULA-5751	HOUSING, Bell (#2 Push)
7	FUL23380	COVER
8	FUL1C408	SCREW (1/4in-20)
9	MAK36AX1	WASHER, Lock
10	FUL3315679	CUP, Plug
11	FUL4300301	FITTING (45°)
11	MAK44AX65	FITTING (90°)
13	FUL201398	COVER, PTO
14	MAK36AX7X	WASHER, Lock (5/8in)
15	MAK429GC114A	SCREW (5/8in-11 x 2-1/4in)
16	MAK49AX224	PLUG (3/4in Magnetic)
17	FUL14373	MAGNET
18	MAK64AX244	CUP
19	FUL3316160	GEAR, Speedo (16 Teeth)
19	FUL3316283	GEAR, Speedo (6 Teeth)
19	FUL4300003	GEAR, Speedo (6 Teeth)
19	FUL86302	GEAR, Speedo Drive (5 Teeth)

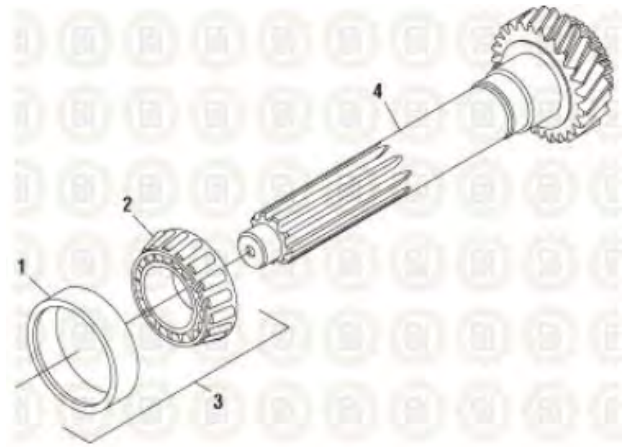
Continued



FULLER TRANSMISSIONS – FS 5106 – CASE ASSEMBLY

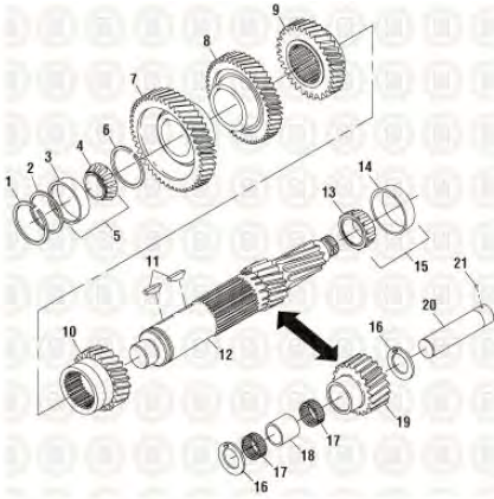
Continued

KEY	OEM REF.	DESCRIPTION
20	FUL239433	STUD (1/2in-20 x 2-5/16in)
21	FUL3315662	SHIM (.004)
21	FUL3315663	SHIM (.007)
21	FUL3315664	SHIM (.010)
21	FUL3315665	SHIM (.020)
21	FUL4300978	SHIM (.040)
22	FUL21947	COVER,Rear Bearing (use w/ Seal EF76910)
23	MAK36AX5	WASHER (1/2in)
24	MAK20AX5	NUT (1/2in-20)
25	ROKA-1205-A-1925	SEAL
26	ROK1227-Z-936	NUT (1-1/4in-18)
27	FUL4301954	SEAL, Sensor
28	FUL3316225	SLEEVE
28	FUL86147	SLEEVE
29	FUL86303	GEAR, Speedo Driven (15 Teeth)
30	FUL3315681	SHIM (.004)
30	FUL3315682	SHIM (.007)
30	FUL3315683	SHIM (.010)
30	FUL3315684	SHIM (.020)
30	FUL4300977	SHIM (.040)
31	FUL4301607	COVER, Rear Bearing
32	FUL9G416H	SCREW (1/4in-20 x 1in)
33	FUL3315671	GASKET, Cover
34	FUL238370	EYE, Lifting
35	FULX-8C-604	SCREW



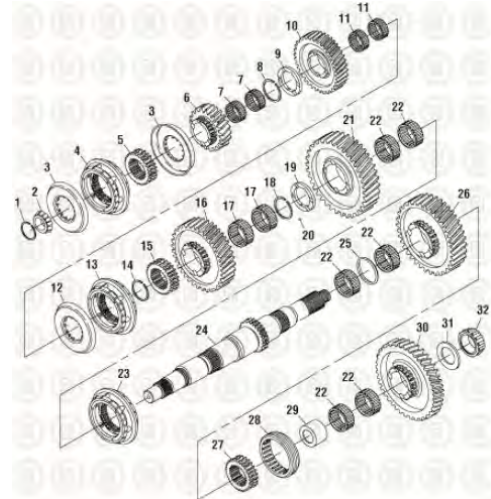
FULLER TRANSMISSIONS – FS 5106 – INPUT SHAFT

KEY	OEM REF.	DESCRIPTION
1	MAK64AX244	CUP, Bearing (for 1.50in Input)
1	MAK8236-39520	CUP, Bearing (for 1.75in Input)
2	MAK62AX481	CONE, Bearing (for 1.75in Input)
2	MAK8236-45284	CONE, Bearing (for 1.50in Input)
3	NTNSET410	SET, Cup & Cone Includes Bearings (1)HCU-4870 (1)ABG-9126-TIM
3	NTNSET408	SET, Cup & Cone (1-3/4in Input) Includes Bearings (1)HCU-7173- TIM (1)HBG-7175
4	FUL21896	SHAFT, Input (1.50in Push/Pull)
4	FUL21898	SHAFT, Input (1.75in Push/Pull)
4	FUL21988	SHAFT, Input (1.50in Push/Pull)
4	FUL3316257	SHAFT, Input (1.75in Push/Pull)
4	FUL3316314	SHAFT, Input (1.50in Push)
4	FUL4300889	SHAFT, Input (1.50in Push)



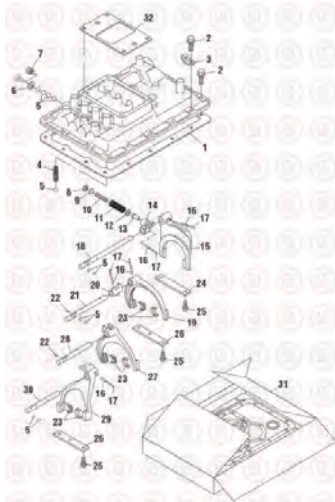
FULLER TRANSMISSIONS – FS 5106 – COUNTERSHAFT & IDLER GEAR

KEY	OEM REF.	DESCRIPTION
1	FUL3315686	RING, Retaining
2	FUL3315687	WASHER
3	FUL1313645	CUP, Bearing
4	FUL791943	CONE, Bearing
5	FULK-3795	KIT, Cup & Cone Includes Bearings (1)900492 (1)900532
6	FUL3315752	RING, Retaining
7	FUL3315743	GEAR, Countershaft Drive
8	FUL3315745	GEAR, 5th Countershaft
9	FUL3315747	GEAR, 4th Countershaft
10	FUL4303240	GEAR, 3th Countershaft
11	FUL230292	KEY
12	FUL4303238	COUNTERSHAFT
13	MAK62AX321	CONE
14	MAK64AX16	CUP, Bearing
15	NTNSET406	SET, Cup & Cone Includes Bearings (1)HBG-6029 (1)GCU-6034
16	FUL3315673	WASHER (used w/ Gear 3315753)
17	FUL3315674	BEARING, Roller
18	FUL3315676	SPACER
19	FULK-3530	GEAR, Reverse Idler (Old Style)
19	FUL4304320	GEAR, Reverse Idler (New Style)
20	FUL3315672	SHAFT, Reverse Idler
21	FUL10J06	BALL (3/16in)



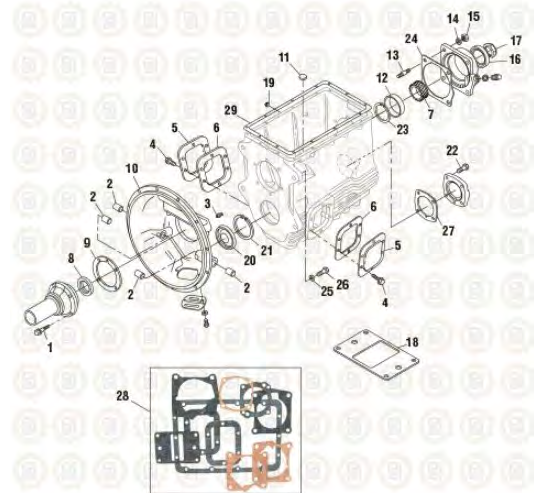
FULLER TRANSMISSIONS – FS 5106 – MAINSHAFT ASSEMBLY

KEY	OEM REF.	DESCRIPTION
1	FUL3313798	RING, Snap
2	FUL710787	CONE, Bearing
3	FUL228306	CUP, Synchronizer
4	FULA-5693	ASSEMBLY, Synchronizer
5	FUL3315738	HUB, Clutch
6	FUL3315720	GEAR, 5th Mainshaft
7	FUL3315737	BEARING
8	FUL3315728	RING, Retaining
9	FUL3315727	WASHER
10	FUL3315715	GEAR, 4th Mainshaft
11	FUL4124075	BEARING
12	FUL3315730	CUP, Synchronizer
13	FULA-5692	ASSEMBLY, Synchronizer
14	FUL3315725	RING, Snap
15	FUL3315723	HUB, Clutch
16	FUL22075	GEAR, 3rd Mainshaft
17	FUL3315722	BEARING
18	FUL3315717	RING, Snap
19	FUL3315719	WASHER
20	FUL10J06	BALL (3/16in)
21	FUL3315705	GEAR, 2nd Mainshaft
22	FUL3315703	BEARING
23	FULA-5721	ASSEMBLY, Synchronizer
24	FUL23301	SHAFT, Main
25	FUL3315702	SPACER
26	FUL3315700	GEAR, 1st Mainshaft
27	FUL3315696	HUB, Reverse Clutch
28	FUL3315694	CLUTCH, Sliding
29	FUL3315698	BUSHING
30	FUL3315692	GEAR, Reverse
31	FUL3315704	WASHER
32	MAK8236-45284	CONE, Bearing



FULLER TRANSMISSIONS – FS 5106 – SHIFTER COMPONENTS

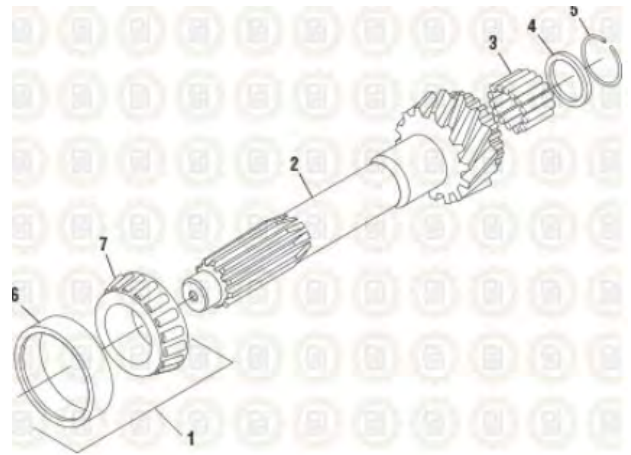
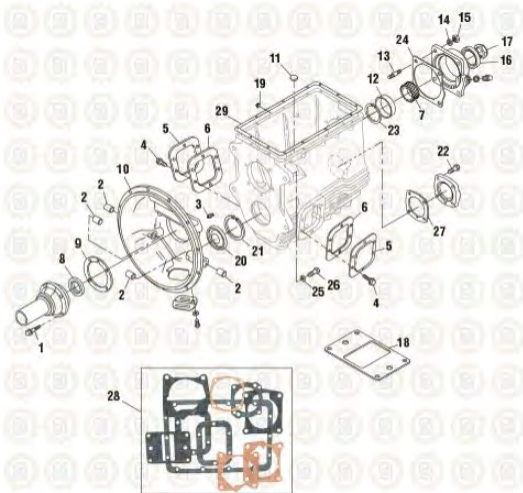
KEY	OEM REF.	DESCRIPTION
1	FUL4300854	GASKET, Cover
2	MAK4AX1	SCREW (3/8in-16 x 1 in)
3	FUL238370	EYE, Lifting
4	FUL3315765	SPRING
5	FUL10J14	BALL (7/16)
6	FUL15900	GASKET
7	FUL22941	SWITCH, Neutral
8	FUL21736	RING, Snap
9	FUL3316295	WASHER
10	FUL21724	SPRING
11	FUL21723	SPRING
12	FUL3316298	WASHER
13	FUL3316296	PLUNGER
14	FUL3316300	BLOCK, Shift Reverse
15	FUL3315897	YOKE, Reverse
16	FUL1JM3528	PIN
17	FUL1JM6028	PIN
18	FUL23296	RAIL, Reverse Yoke
19	FUL3315772	YOKE, 1st/2nd
20	FUL3315778	SHIFTER Block,1st/2nd
21	FUL23297	RAIL, 1st/2nd Yoke
22	FUL201044	PIN
23	FUL227675	INSERT, Yoke
24	FUL3315757	RETAINER, Shift Bar
25	ROKS-268-1	SCREW (3/8in-16 x 1in)
26	FUL4301279	RETAINER, Shift Bar
27	FUL3315777	YOKE, 3rd/4th
28	FUL23298	RAIL, 3rd/4th
29	FUL3315782	YOKE, 5th/6th
30	FUL23299	RAIL, 5th/6th
31	FULK-2181	SET, Gasket (FS 5106, FS 6206A) Includes Gaskets (1)931010 (1)931015 (1)931016 (1)931017 (1)931009 (1)EF64510-001 (1) EF64510-010 (1)EF64510-012
32	FUL4301958	GASKET, Lever Housing



FULLER TRANSMISSIONS – FS 5005A/C AND FS 5205A – CASE ASSEMBLY

KEY	OEM REF.	DESCRIPTION
1	MAK4AX17	SCREW
2	FUL12815	BUSHING
2	FUL8677	BUSHING
3	MAK44AX65	FITTING
4	MAK6AX1304X	SCREW
5	FUL201398	COVER, PTO
6	FUL1684	GASKET
7	FUL21555	GEAR, Speedo
8	FUL4300798	SEAL
8	DDC5116224	SEAL
8	FUL4300121	SEAL
9	FUL240321	GASKET
10	FULA-5205	HOUSING, Bell
11	FUL14373	MAGNET
12	FULK-3919	KIT, Bearing (5205)
13	FUL23944	STUD (5205)
14	MAK36AX5	WASHER
15	MAK20AX5	NUT
16	ROKA-1205-A-1925	SEAL (for 2.753in Shaft)
16	FUL4300203	SEAL (for 2.503in Shaft)
16	FUL235655	SEAL (for 2.75in Shaft)
16	MAK88AX359P2	SEAL (for 2.505in Shaft)
17	ROK1227-Z-936	NUT
18	FUL4301958	GASKET
19	MAK49AX224	PLUG
20	FUL3315679	CUP, Countershaft (5005)
20	FUL239783	CUP, Countershaft (5205)
21	FUL240040	RING, Retaining (5205)
21	FUL3315686	RING, Retaining (5005)
22	MAK4AX1	SCREW
23	FUL226331	RING, Retaining

Continued



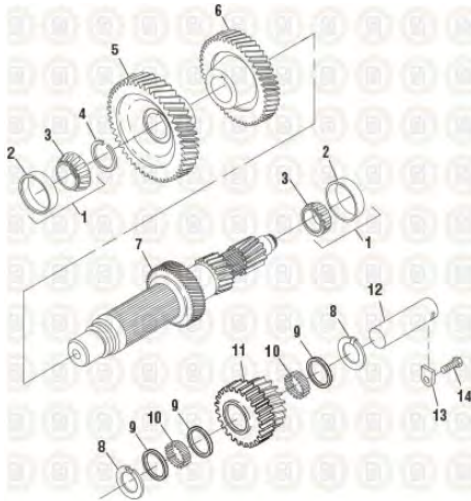
FULLER TRANSMISSIONS – FS 5005A/C AND FS 5205A – CASE ASSEMBLY

Continued

KEY	OEM REF.	DESCRIPTION
24	FUL4300852	GASKET, Rear Housing
25	MAK36AX7X	WASHER, Lock
26	MAK429GC114A	SCREW
27	FUL22014	GASKET, Bearing Cover
28	FULK-2085	SET, Gasket (5005) Includes Gaskets (2)EF64510-012 (1)931022 (1)900348 (1)931010 (1)931021 (1)EF64570-007 (1)931013
28	FULK-7030	SET, Gasket (5205) Includes Gasket set (1)931020 Gasket (1)EF39070
29	FUL228330	GASKET, Shift Cover

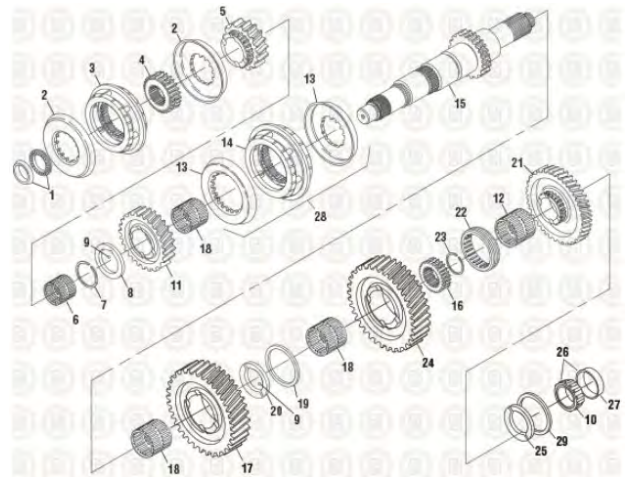
FULLER TRANSMISSIONS – FS 5005A/C AND FS 5205A – INPUT SHAFT

KEY	OEM REF.	DESCRIPTION
1	FULK-4153	KIT, Bearing (1-3/4in Input Shaft) Includes Bearing (1)900533 (1)900494
1	FULK-4154	KIT, Bearing (1-1/2in Input Shaft) Includes Bearings (1)GCU-6692 (1)GBG-6691
2	FUL4301825	PINION, Input (1-3/4in Push/Pull Clutch)
2	FUL4301874	PINION, Input (1-1/2in Push Clutch)
2	FUL4301875	PINION, Input (1-1/2in Push Clutch)
2	FUL4301876	PINION, Input (1-3/4in Push Clutch)
2	FUL4301877	PINION, Input (1-3/4in Push/Pull Clutch) (Use w/ Front Bearing Cover 23147)
2	FUL4301879	PINION, Input (1-1/2in Push Clutch)
2	FUL4301898	PINION, Input (1-1/2in Push Clutch)
3	FUL235414	BEARING
4	FUL235415	WASHER
5	FUL235416	RING
6	FUL235417	CUP, Bearing (1-3/4in Input Shaft)
6	MAK64AX283	CUP, Bearing (1-1/2in Input Shaft)
7	FUL235418	CONE, Bearing (1-3/4in Input Shaft)
7	MAK62AX460	CONE, Bearing (1-1/2in Input Shaft)



**FULLER TRANSMISSIONS – FS 5005A/C AND FS 5205A –
COUNTERSHAFT & IDLER GEAR**

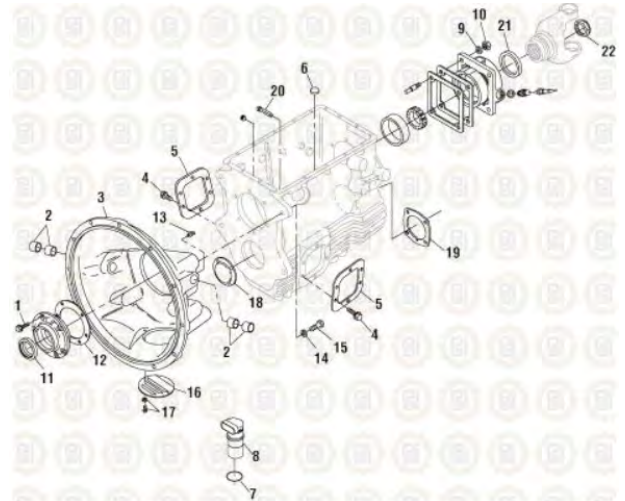
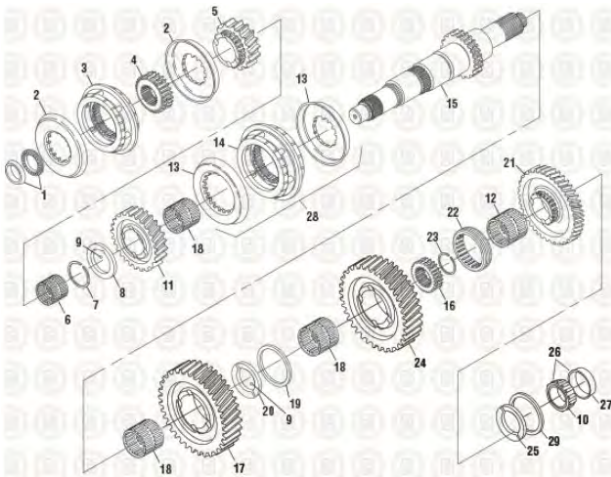
KEY	OEM REF.	DESCRIPTION
1	FULK-3859	KIT,Bearing Includes Bearings (1)900531 (1)900492
2	FUL654166	CUP, Bearing
2	FUL791943	CONE, Bearing
2	FUL 224024	RING, Snap
5	FUL4301181	GEAR, Countershaft Drive
6	FUL4301691	GEAR, Countershaft 4th
7	FUL4301185	COUNTERSHAFT (FS 5005A, FS 5205A)
8	FUL240023	WASHER, Idler Gear
9	FUL235413	SPACER, Idler Gear
10	FUL235412	BEARING, Roller
11	FUL235392	GEAR, Idler
12	FUL203609	SHAFT, Idler
13	FUL201929	LOCK, Shaft
14	FULX-8C-600	SCREW, Idler Gear



**FULLER TRANSMISSIONS – FS 5005A/C AND FS 5205A –
MAINSHAFT ASSEMBLY**

KEY	OEM REF.	DESCRIPTION
1	FULK-3704	KIT, Bearing
2	FUL3001435	CUP, Synchronizer (5205)
2	FUL228296	CUP, Synchronizer (5005)
3	FULA-6609	ASSEMBLY, Synchronizer (5205)
3	FULA-5401	ASSEMBLY, Synchronizer (5005)
4	FUL4303689	HUB, Clutch (4th/5th)
4	FUL23694	HUB, Clutch (4th/5th)(5005)
5	FULK-3303	GEAR, Mainshaft 4th
5	FUL239353	GEAR, Mainshaft 4th (5005)
6	FUL239651	BEARING
7	FUL224069	RING
8	FUL4303687	WASHER
9	FUL10J06	BALL
10	FUL237227	CONE, Bearing
11	FUL4301686	GEAR, Mainshaft 3rd
11	FUL239352	GEAR, Mainshaft 3rd (5005)
12	FUL239818	BEARING
13	FUL4301467	CUP, Synchronizer
13	FUL228306	CUP, Synchronizer
14	FULA-5693	ASSEMBLY, Synchronizer (5005)
14	FULA-6608	ASSEMBLY,Synchronizer (5205)
15	FUL4301684	MAINSHAFT (1.96 spline) (5205)
15	FUL4301933	MAINSHAFT (1.96 spline) (5205)
15	FUL4302992	MAINSHAFT (1.75 spline) (5205)
15	FUL23696	MAINSHAFT (1.96 spline) (5005)
15	FUL23697	MAINSHAFT (2.00 spline) (5005)
15	FUL23698	MAINSHAFT (1.75 spline) (5005)
16	FUL235371	HUB, Clutch (1st/Reverse) (5005)
16	FUL4301706	HUB, Clutch (1st/Reverse) (5205)
17	FUL235366	GEAR, Mainshaft 2nd (5005)

Continued



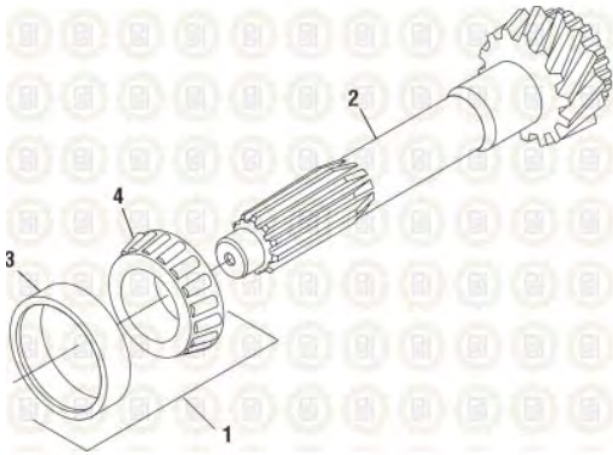
FULLER TRANSMISSIONS – FS 5005A/C AND FS 5205A – MAINSHAFT ASSEMBLY

FULLER TRANSMISSIONS – FS 5406/FS 6205A/FS 6206A/FS 6306A/FS-FSO 6406A – CASE ASSEMBLY

Continued

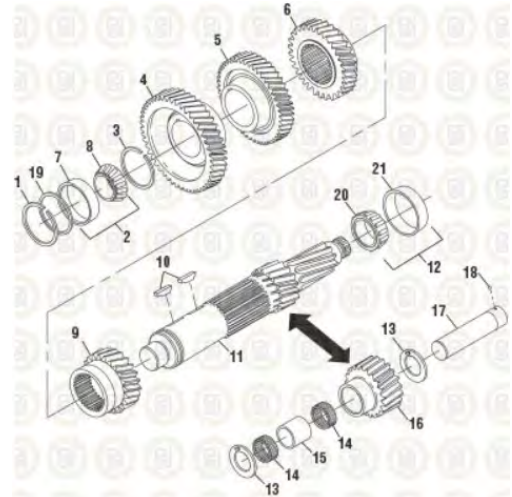
17	FUL4301687	GEAR, Mainshaft 2nd (5205)
18	FUL239653	BEARING (5205)
18	FUL235376	BEARING (5005)
19	FUL235379	RETAINER
20	FUL235378	WASHER
21	FUL4301688	GEAR, Mainshaft 1st (5205)
21	FUL235363	GEAR, Mainshaft 1st (5005)
22	FUL235373	CLUTCH, Sliding(5005)
22	FUL4304466	CLUTCH, Sliding
23	FUL235372	RING, Snap
24	FUL4301689	GEAR, Reverse Mainshaft
24	FUL235365	GEAR, Reverse Mainshaft (5005)
25	FUL235374	WASHER
26	FULK-4158	KIT, Bearing (Output Shaft)
26	FULK-4162	KIT, Bearing (Output Shaft) Includes Bearings (1)900496 (1)900534
27	FUL235422	CUP, Bearing
28	FULK-3421	KIT, Synchronizer Includes Synchronizer Assembly (1)900114 Cups (2)900121
29	FUL235375	RETAINER

KEY	OEM REFERENCE	DESCRIPTION
1	MAK4AX17	SCREW
2	FUL12815	BUSHING
2	FUL8677	BUSHING
3	FULA-5205	HOUSING, Bell
3	FULA-5631	HOUSING, Bell
3	FULA-5634	HOUSING, Bell
3	FULA-5751	HOUSING, Bell
3	FULA-5878	HOUSING, Bell
3	FULA-6228	HOUSING, Bell
3	FULA-7514	HOUSING, Bell
4	MAK6AX1304X	SCREW
5	FUL201398	COVER, PTO
6	FUL14373	MAGNET
7	MAK56AX533	O-RING
8	FULK-3454	SENSOR, Speed (Single) (2 pin) (NSS) Includes Bracket (1)900367 Screw (1)040047
8	FULK-3455	SENSOR, Speed (Dual) (4 pin) (NSS) Includes Bracket (1)900367 Screws (1)040047 (1)ESC-0007
9	MAK36AX5	WASHER
10	MAK20AX5	NUT
11	FUL4300798	SEAL, Oil
11	DDC5116224	SEAL, Oil
11	FUL4300121	SEAL, Oil
11	FUL19110	SEAL, Front Oil(FS 6206A)
12	FUL3315659	GASKET
13	MAK44AX65	FITTING, 90 deg.
13	FUL4300301	FITTING, 45 deg.
14	MAK36AX7X	LOCKWASHER
15	MAK429GC114A	SCREW
16	FUL23380	COVER
17	FULX-8L-408	ASSEMBLY, Screw & Washer
18	FUL3315679	PLUG
19	FUL3315671	GASKET, Cover
20	MAK49AX224	PLUG (3/4in Magnetic)
21	MAK88AX319P2	SEAL
22	ROK1227-Z-936	NUT (FS 6206A)



FULLER TRANSMISSIONS – FS 5406/FS 6205A/FS 6206A/FS 6306A/FS-FSO 6406A – INPUT SHAFT

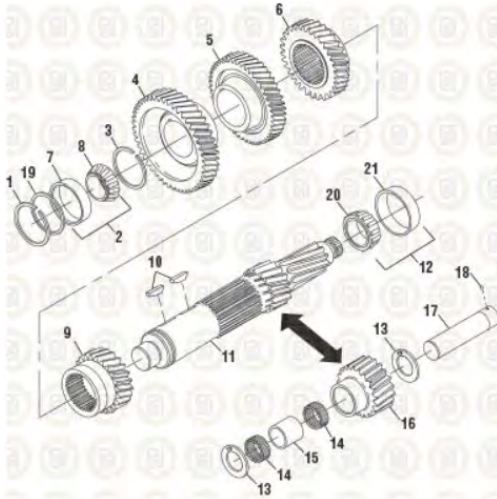
KEY	OEM REF.	DESCRIPTION
1	NTNSET410	KIT, Bearing (1-1/2in Input Shaft)
2	FUL4301485	PINION, Input Shaft
2	FUL4301403	PINION, Input Shaft
2	FUL4301748	PINION, Input Shaft (FS 6205A/B, FS6305A/B)
2	FUL4304933	PINION, Input Shaft (FS 5406N)
2	FUL4301750	PINION, Input Shaft (1-3/4in) (FS 6205, FS 6305) (Used w/ Front Bearing Cover 4300888, 4301144)
2	FUL4301402	SHAFT, Input
2	FUL4301404	SHAFT, Input
2	FUL4301408	SHAFT, Input
2	FUL4301409	SHAFT, Input
2	FUL4303867	PINION, Input Shaft (FS 5406A)
3	MAK64AX244	CUP
3	MAK8236-39520	CUP
4	MAK62AX481	CONE
4	MAK9383-45284	CONE



FULLER TRANSMISSIONS – FS 5406/FS 6205A/FS 6206A/FS 6306A/FS-FSO 6406A – COUNTERSHAFT & IDLER GEAR

KEY	OEM REF.	DESCRIPTION
1	FUL3315686	RING, Retaining
2	FULK-3795	KIT, Bearing Includes Bearings (1)900492 (2)900532
3	FUL3315752	RING, Retaining
4	FUL4304935	GEAR, Drive Countershaft (FS 5406N)
4	FUL4304541	GEAR, Drive Countershaft (FS 6406B)
5	FUL4304542	GEAR, 5th/OD Countershaft (FSO 6406A)
4	FUL3315743	GEAR, Drive (FS 6306A)
4	FUL4303297	GEAR, Drive Countershaft (FS 5406A)
5	FUL4301478	GEAR, 5th Countershaft (FS 6406B/FS 6306A)
6	FUL4304097	GEAR, 4th Countershaft (FS 5406A/FSO 6406A)
6	FUL4303241	GEAR, 4th Countershaft (FS 6306A)
7	FUL1313645	CUP
8	FUL791943	CONE
9	FUL4304056	GEAR, 3rd Countershaft (FS 5406A/FS 6406A,B)
9	FUL4303240	GEAR, 3rd Countershaft
10	FUL230292	KEY
11	FUL4303299	COUNTERSHAFT (FS 5406A)
11	FUL4303238	COUNTERSHAFT
12	NTNSET406	SET, Cup & Cone Includes Bearings (1)HBG-6029 (1)GCU-6034
13	FUL315673	SHAFT, Reverse Idler
14	FUL3315674	BEARING
15	FUL3315676	SPACER
16	FUL4304319	GEAR, Reverse Idler (FS 5406A)

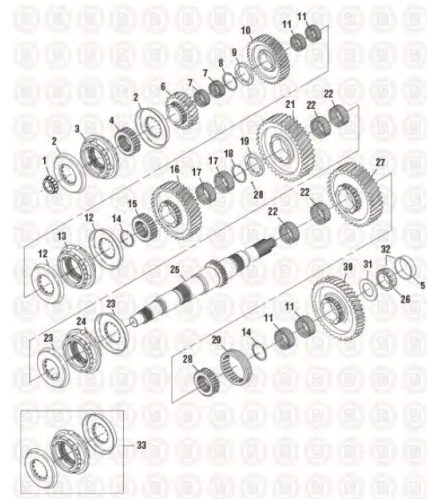
Continued



FULLER TRANSMISSIONS – FS 5406/FS 6205A/FS 6206A/FS 6306A/FS-FSO 6406A – COUNTERSHAFT & IDLER GEAR

Continued

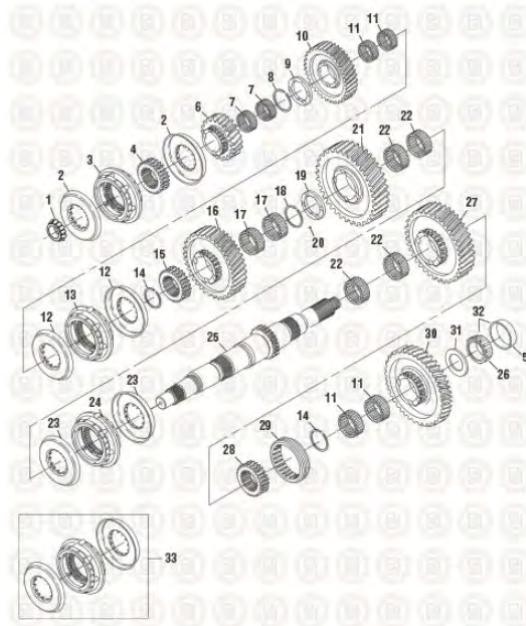
KEY	OEM REF.	DESCRIPTION
16	FULK-3528	GEAR, Reverse Idler
16	FUL4304318	GEAR, Reverse Idler (Current)
17	FUL3315672	SHAFT, Idler (FS 5406A/FSO 6406A)
17	FUL3315673	SHAFT, Idler
18	FUL10J06	BALL
19	FUL3315687	WASHER
20	MAK64AX16	CUP
21	MAK62AX321	CONE



FULLER TRANSMISSIONS – FS 5406/FS 6205A/FS 6206A/FS 6306A/FS-FSO 6406A – MAINSHAFT ASSEMBLY

KEY	OEM REF.	DESCRIPTION
1	FUL710787	CONE
2	FUL4301467	CUP, Synchronizer (FS 6205A, FS 6305A, FS 6306A, FS 6406A)
2	FUL228306	CUP, Synchronizer (FS 6206A)
3	FULA-5693	ASSEMBLY, Synchronizer (5th/6th) (FS 6206A)
3	FULA-6608	ASSEMBLY, Synchronizer (5th/6th) (FS 5406A, FS 6205A, FS 6306A)
4	FUL4301476	HUB, Clutch (5th/6th) (FS 5406A, FS 6306A, FS 6406A)
4	FUL3315738	HUB, Clutch (5th/6th) (FS 6206A)
4	FUL4301766	HUB, Clutch (5th/6th) (FS 6305A)
5	MAK4AX244	CUP
6	FUL4304932	GEAR, 5th Mainshaft (FS 6406)
6	FUL4304543	GEAR, 5th/OD Mainshaft (FSO 6406A)
6	FUL4301477	GEAR, 5th (FS 6306A) (FS 5406A, FS 6306A)
6	FUL3315720	GEAR, 5th (FS 6206A)
6	FUL4301759	GEAR, 4th (FS 6305A)
7	FUL3315737	BEARING
8	FUL3315728	RING, Retaining
9	FUL3315727	WASHER
10	FUL4303233	GEAR, 4th Mainshaft (FS 6306A)
10	FUL4301761	GEAR, Mainshaft (3rd) (FS 6205A, FS 6305B)
10	FUL4304098	GEAR, 4th Mainshaft (FS 5406A, FSO 6406A)
10	FUL4304931	GEAR, 4th Mainshaft (FS 6406N)
10	FUL3315715	GEAR, 4th (FS 6206A)
11	FUL4304555	BEARING, Roller (FS 5406A, FS 6406)
11	FUL4124075	BEARING

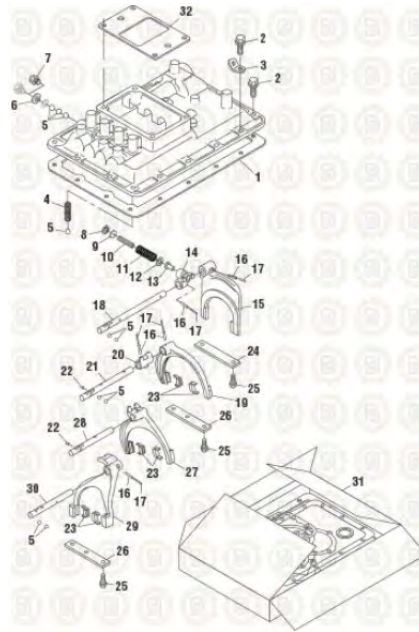
Continued



**FULLER TRANSMISSIONS – FS 5406/FS 6205A/FS 6206A/
FS 6306A/FS-FSO 6406A – MAINSHAFT ASSEMBLY**

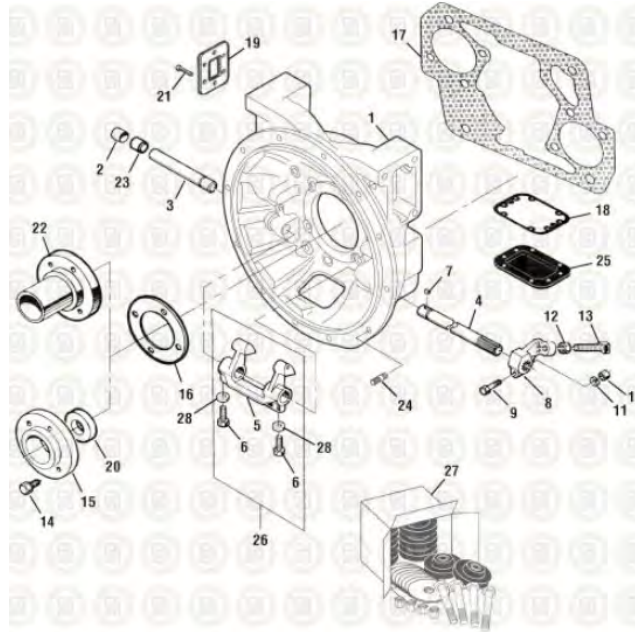
Continued

KEY	OEM REF.	DESCRIPTION	KEY	OEM REF.	DESCRIPTION
12	FUL4301466	CUP, Synchronizer(3rd/4th)	24	FULA-6154	ASSEMBLY, Synchronizer (FS 6305A/B) (1st/REV)
13	FULA-6136	ASSEMBLY, Synchronizer (3rd/4th) (FS 5406A, FS 6205A, FS 6306A)	24	FULA-5721	ASSEMBLY, Synchronizer (FS 6206A)
11	FUL4304555	BEARING, Roller (FS 6406)	24	FULA-7934	ASSEMBLY, Synchronizer (1st/2nd) (FS 5406A, FSO 6406A, FSO 8406A)
13	FULA-6156	ASSEMBLY, Synchronizer (3rd/4th) (FS 5306A)	25	FUL4304549	MAINSHAFT (FS 6406)
13	FULA-5725	ASSEMBLY, Synchronizer (FS 6206A)	25	FUL4301468	MAINSHAFT
14	FUL3315725	RING, Retaining	26	FUL5557003	CONE
15	FUL4301475	HUB, Clutch (3rd/4th)	27	FUL4304545	GEAR, 1st
15	FUL4301765	HUB, Clutch (2nd/3rd) (FS 6205A)	27	FUL4303230	GEAR, 1st
16	FUL4303232	GEAR, 3rd (FS 6206A, FS 6306A)	27	FUL4303947	GEAR, 1st (FS 5406A)
16	FUL4304930	GEAR, 3rd (FS 6406N)	28	FUL4301474	HUB, Reverse
16	FUL4304057	GEAR, 3rd (FS 5406A, FSO 6406A)	29	FUL4301852	CLUTCH, Sliding (FS 6205A)
16	FUL4301762	GEAR, 2nd (FS 6205A)	29	FUL4301473	CLUTCH, Sliding
17	FUL3315722	BEARING	30	FUL4301484	GEAR, Reverse
18	FUL3315717	RING, Retaining	30	FUL4304500	GEAR, Reverse (FS 5406A, FSO 6406A)
19	FUL3315719	WASHER	31	FUL4301492	WASHER
20	FUL10J06	BALL	32	FULK-4160	KIT, Bearing
21	FUL4304929	GEAR, 2nd Mainshaft (FS 6406N)	33	FULK-7051	KIT, Synchronizer (3rd/4th) Includes Assembly Synchronizer (1)900106 Cup Synchronizers (2)900120
21	FUL4304544	GEAR, 2nd Mainshaft (FS 5406A, FS 6406A)	33	FULK-7050	KIT,Synchronizer(1st/2nd) Includes Assembly Synchronizer (1)900105 Cup Synchronizers (2)900119
21	FUL4303231	GEAR, 2nd Mainshaft	33	FULK-3421	KIT,Synchronizer(5th/6th) Includes Assembly Synchronizer (1)900114 Cup Synchronizers (2)900121
21	FUL4301763	GEAR, 1st (FS 6205A)			
22	FUL3315703	BEARING			
23	FUL4301465	CUP, Synchronizer (1st/2nd)			
24	FULA-6135	ASSEMBLY, Synchronizer (1st/2nd) (FS 6306A)			



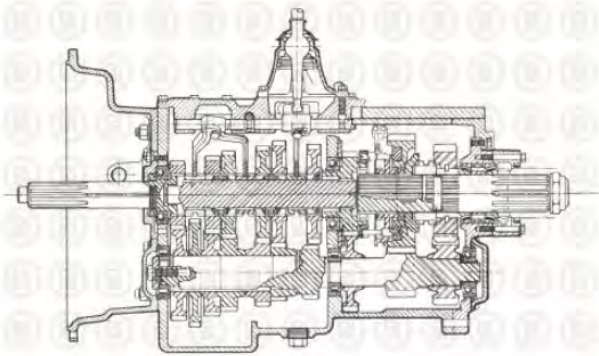
**FULLER TRANSMISSIONS – FS 5406/FS 6205A/FS 6206A/
FS 6306A/FS-FSO 6406A – SHIFTER COMPONENTS**

KEY	OEM REF.	DESCRIPTION	KEY	OEM REF.	DESCRIPTION
1	FUL4300854	GASKET, Cover	26	FUL4301279	RETAINER, Shift Bar
2	MAK4AX1	SCREW (3/8in-16 x 1in)	27	FULA-6139	YOKE, 3rd/4th (FS 5406A, FS 6306A)
3	FUL238370	EYE, Lifting	27	FUL3315777	YOKE, 3rd/4th (FS 6206A)
4	FUL3315765	SPRING	28	FUL4301471	RAIL, 3rd/4th (FS 5406A, FS 6306A)
5	FUL10J14	BALL (7/16in)	28	FUL23298	RAIL, 3rd/4th (FS 6206A)
6	FUL15900	GASKET	29	FULA-6138	YOKE, 5th/6th (FS 5406A, FS 6306A)
7	FUL22941	SWITCH, Neutral	29	FUL3315782	YOKE, 5th/6th (FS 6206A)
8	FUL21736	RING, Snap	30	FUL4301472	RAIL, 5th/6th (FS 6306A)
9	FUL3316295	WASHER	30	FUL4301472	RAIL, 5th/6th (FS 5406A, FS 6306A)
10	FUL21724	SPRING	31	FULK-2181	SET, Gasket (FS 6206A) Includes Gaskets (1)931010 (1)931015 (1)931016 (1)931017 (1)931009 (1)EF64510-001 (1)EF64510-010 (1)EF64510-012
11	FUL21723	SPRING	31	FULK-7028	SET, Gasket (FS 5406A, FS 6306A) Includes Gaskets (1)931010 (1)931015 (1)931016 (1)931017 (1)EF64570-007
12	FUL3316298	WASHER	32	FUL4301958	GASKET, Lever Housing
13	FUL3316296	PLUNGER			
14	FUL3316300	BLOCK, Shift Reverse			
15	FUL3315897	YOKE, Reverse			
16	FUL1JM3528	PIN			
17	FUL1JM6028	PIN			
18	FUL4301469	RAIL, Reverse Yoke (FS5406A, FS 6306A)			
18	FUL23296	RAIL, Reverse Yoke (FS 6206A)			
19	FUL3315772	YOKE, 1st/2nd			
20	FUL3315778	SHIFTER Block, 1st/2nd			
21	FUL4301470	RAIL, 1st/2nd Yoke (FS 6306A)			
21	FUL23297	RAIL, 1st/2nd Yoke (FS 6206A)			
21	FUL4304561	RAIL, 1st/2nd Yoke (FS 5406A)			
22	FUL201044	PIN			
23	FUL227675	INSERT, Yoke			
24	FUL3315757	RETAINER, Shift Bar			
25	ROKS-268-1	SCREW (3/8in-16 x 1in)			



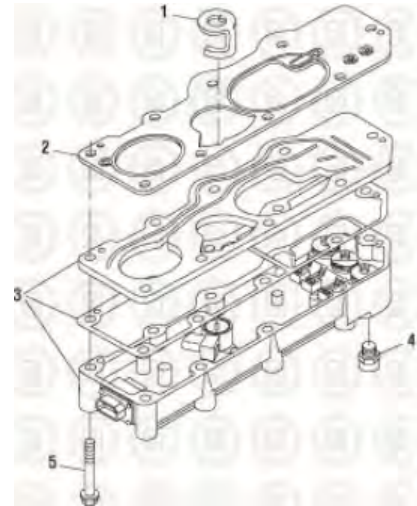
FULLER TRANSMISSIONS – FULLER BELL HOUSING COMPONENTS

KEY	OEM REF.	DESCRIPTION	KEY	OEM REF.	DESCRIPTION
1	FULA-4916	BELLOUSING (For Mounting a Fuller Transmission to a Mack Engine)	16	FUL15059	GASKET (RT 6613)
2	FUL8677	BUSHING	17	FUL14310	GASKET
3	MAK604KC127	SHAFT, Clutch Release	17	FUL15060	GASKET (RT 6613)
3	FUL14494	SHAFT, Clutch Release	17	FUL4306584	GASKET (RT 11069)
3	MAK604KC121P2	SHAFT, Clutch Release	18	FUL16929	GASKET, PTO Cover
4	MAK2104-106C939	SHAFT, Clutch Release	19	FUL1684	GASKET, PTO Case
4	FUL1983	SHAFT, Clutch Release (#1 Housing)	20	FUL16976	SEAL (1-3/4in)
4	FUL1984	SHAFT, Clutch Release (#2 Housing)	20	FUL16977	SEAL (2in)
4	MAK2104-106C1094	SHAFT, Clutch Release	21	MAK6AX1359X	SCREW (3/8in-16 x 1in)
4	MAK604KC122P1	SHAFT, Clutch Release	22	FUL14370	COVER (1-3/4in Push) (RT 11609)
5	FUL12817	YOKE, Clutch Release	22	FUL16277	COVER (1-3/4in Push) (RT 6613)
5	MAK2104-105C137	YOKE, Clutch Release	23	FUL12815	BUSHING, Shaft, Clutch Release
6	FULX-7-603	SCREW (3/8in-24 x 1) (2 Req'd)	24	FUL5966	STUD, Bellhousing (6 Req'd)
7	FULX-6-11	KEY	25	FUL16596	COVER, PTO (8 Holes)
8	FUL1966	ARM, Adjusting	25	FUL4302809	COVER, PTO (8 Holes)
9	FULX-7-601	SCREW (3/8in-24 x 1-3/4in)	26	FULA-2268	KIT, Yoke Includes Screws (2)EF01120 Yoke (1)EF61140
10	MAK20AX3	NUT	27	MAK204SX389	KIT, Rear Engine Mount Includes Washers (8)QWA-4595 Screws (4)QSC-4597 Nuts (4)QNT-4605 Insulators (8)FMM-4670 (Using Fuller Transmission)
11	MAK36AX3	WASHER	28	MAK441SZ459	WASHER (1/4in)
12	MAK23AX335	NUT			
13	FULX-8-802	SCREW, Adjusting			
14	MAK6AX1308X	SCREW (3/8in-16 x 1-1/4in)			
15	FUL14267	COVER (1-3/4in Pull) (RT 11609)			
15	FUL15111	COVER (2in Pull) (RT 12513)			
15	FUL20550	COVER (2in Pull) (RT 11609)			
15	FUL15019	COVER (1-3/4in, Pull) (RT 6613)			
16	FUL14311	GASKET (RT 11609)			



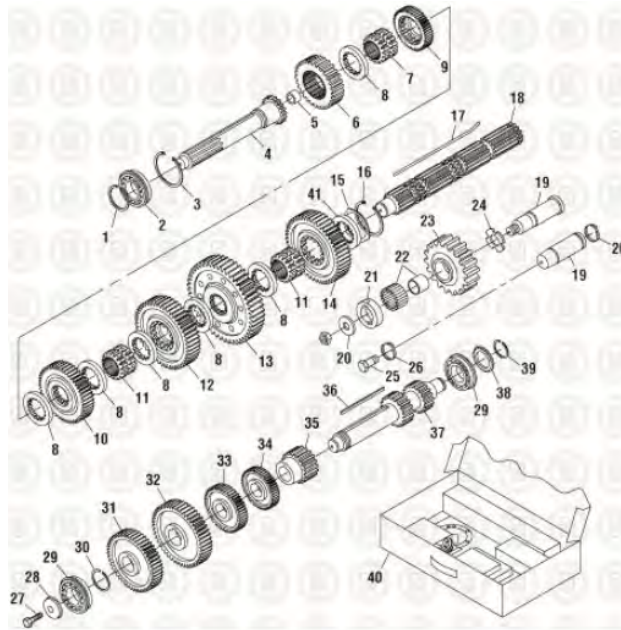
FULLER TRANSMISSIONS – FRO/RT/RTO 14210, 15210, 16210, 18210 – TRANSMISSION KITS

KEY	OEM REF.	DESCRIPTION
1	FULK-2924	KIT, Bearing & Seal (Electronic Speedo) Includes Bearings (2)GBG-6089 (4)EF61550 (1)EF89660 (4)EM89650 (1)GBG-6798 (1)GBG-6083 Springs (3)EF25380 Bushing (1)EF34050 Retaining Rings (1)EF28370 (2)EF28380 Shim Kit (1)EF72550 Seal Kit (1)EF67990 Gasket (1)EF34270 Piston Kit (1)EF17230
1	FULK-3132	KIT, Bearing & Seal (Mechanical Speedo) Includes Bearings (2)GBG-6089 (4)EF61550 (1)GBG-8966 (4)GBG-8965 (1)GBG-6798 (1)GBG-6083 Springs (3)EF25380 Bushing (1)EF34050 Retaining Rings (1)EF28370 (2)EF28380 Seal Kit (1)EF69520 Shim Kit (1)EF72550 Gasket Kit (1)EF34270 Piston Kit (1)EF17230
2	FULK-2921	KIT, Gasket Includes Gaskets (1)EF34290 (1)EF69850 (1)EF34280 (1)EF64510-003 (2)EF64520-006 (1)EF64520-008 (1)EF64510-019 (1)EF64510-012 (1)EF64510-018 (1)EF64510-010 (1)900340



FULLER TRANSMISSIONS – FRO/RT/RTO 14210, 15210, 16210, 18210 – ELECTRONIC CONTROL UNIT

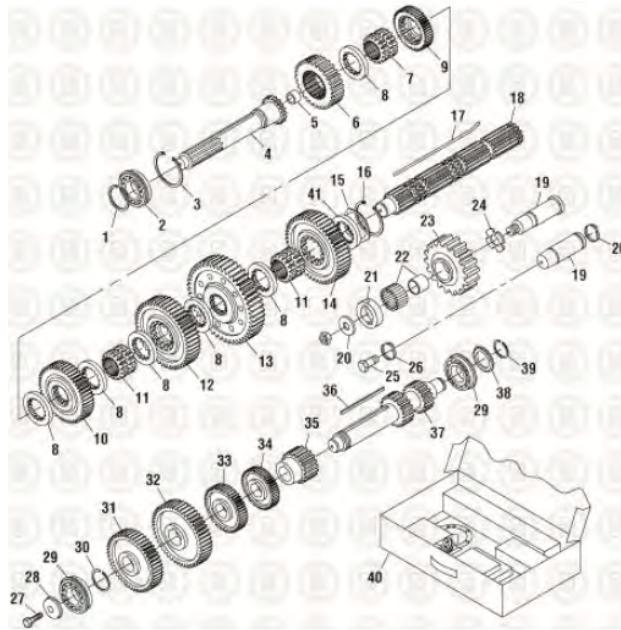
KEY	OEM REF.	DESCRIPTION
1	FUL4304175	WASHER
2	FUL4304186	PLATE, Seal
3	FULS-2818RX	CONTROL, Electronic
4	MAK541KB23	BREATHER
5	FULX-8C-0809M	SCREW (M8 X 70mm)



FULLER TRANSMISSIONS – FRO/RT/RTO 14210, 15210, 16210, 18210 – MAIN CASE COMPONENTS

KEY	OEM REF.	DESCRIPTION	KEY	OEM REF.	DESCRIPTION
1	FUL16980	RING	16	FUL4302184	RING
2	FUL4301417	BEARING	17	FUL4302316	KEY
3	FUL4303362	RING, Retaining (use w/ FUL4304642)	18	FUL4304617	MAINSHAFT
3	FUL4302486	RING, Retaining (use w/ FUL4304010)	19	FULK-3150	KIT, Idler Shaft
4	FULS-2822	ASSEMBLY, Input Shaft (use w/ FUL4304642/4304641)	19	FUL4305512	SHAFT, Reverse Idler (Latest Design)
5	FUL16566	BUSHING	20	FUL14283	WASHER
6	FUL4305880	GEAR, Main Drive (FRO 12210B)	21	FUL4302241	WASHER
6	FUL4304635	GEAR, Main Drive (FR 9210B)	22	MAK3088-14287	BEARING
6	FUL4304642	GEAR, Main Drive (15210, 17210)	23	FUL4303117	GEAR, Reverse Idler
6	FUL4304641	GEAR, Main Drive (use w/ 900090) (14210C)	24	FUL4302982	WASHER
7	FUL4304014	CLUTCH, Sliding	25	FULX-8-1600M	SCREW (M16 x 2 x 30mm)
8	FUL4302258	WASHER	26	FUL4303336	RING
9	FUL4304007	GEAR, Mainshaft (OD) (FRO 12210B)	27	MAK419GC113B	SCREW (5/8in-18 x 1-3/4in)
9	FUL4304001	GEAR, Mainshaft, 4th	28	FUL4304024	RETAINER, Bearing
9	FUL4304750	GEAR, Mainshaft (OD)	29	FUL4304080	BEARING
10	FUL4302529	GEAR, Mainshaft, 3rd (RTOF 15210B)	30	FUL4302081	RING, Snap
10	FUL4302506	GEAR, 3rd Mainshaft (12210C, 14210C)	31	FUL4303121	GEAR, Countershaft Drive (14210B, 15210C)
11	FUL4302265	CLUTCH, Sliding	31	FUL4303875	COUNTERSHAFT, Drive Gear (FRO 15210B)
12	FUL4302421	GEAR, 2nd	31	FUL4303120	COUNTERSHAFT, Drive Gear (FRO 14210C)
13	FUL4302411	GEAR, Mainshaft	32	FUL15953	GEAR, PTO (Lower)
13	FUL4303880	GEAR, Mainshaft, 1st (FR 13210B)	32	FUL15952	GEAR, PTO (Upper)
14	FUL4303033	GEAR, Mainshaft Reverse	33	FUL4302271	GEAR, OD Countershaft (FR 9210/11210/15210B)
15	FUL4302312	SPACER	33	FUL4303184	GEAR, OD Countershaft (C Ratio)
			33	FUL4305879	GEAR, Countershaft, 4th (FRW 15210)

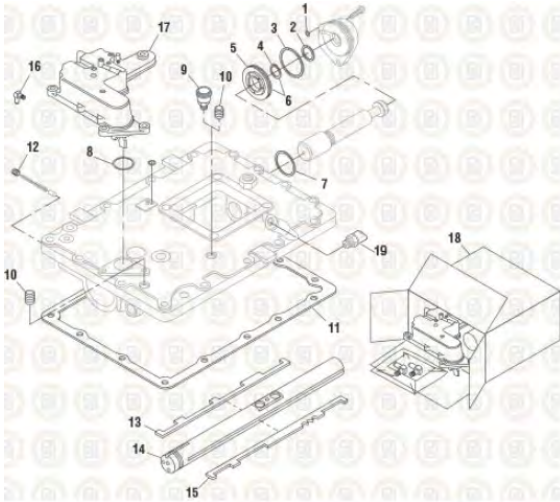
Continued



FULLER TRANSMISSIONS – FRO/RT/RTO 14210, 15210, 16210, 18210 – MAIN CASE COMPONENTS

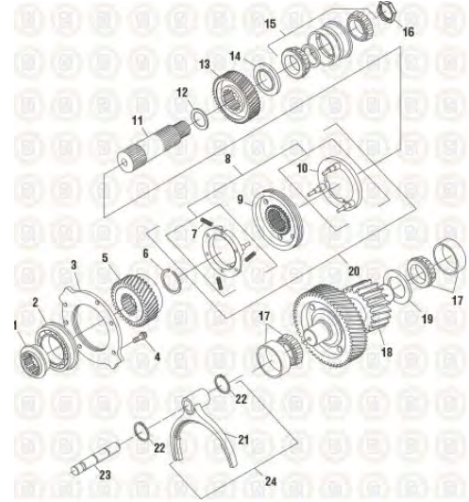
Continued

KEY	OEM REF.	DESCRIPTION	KEY	OEM REF.	DESCRIPTION
33	FUL4303737	GEAR, Countershaft, 4th (FR 15210B)	38	FUL4302792	GEAR, Drive Pump (for Models w/ Pump)
33	FUL4306033	GEAR, OD Countershaft (FRO 15210B)	39	FUL4302082	RING
34	FUL4304491	GEAR, Countershaft, 3rd (B Ratio)	40	FULK-3416	KIT, Gear Update (FR 11210B, 14210B, 15210B) Includes Pinion Assembly (1)900090 Key (1)900230 Gears (1)900015 (1)900013 Sliding Clutch (1)900125 Ring (1)900220
34	FUL4302422	GEAR, Countershaft 3rd (C Ratio)	40	FULK-3419	KIT, Gear Update (FRO 12210B, 15210B) Includes Gears (1)900008 (1)900012 Sliding Clutch (1)900125 Pinion Assembly (1)900090 Key (1)900230 Ring (1)900220
35	FUL4302420	GEAR, Countershaft 2nd	40	FULK-3420	KIT, Main Drive Gear (15210, 16210) Includes Pinion Assembly (1)900090 Gears (1)900021 (1)900031 Sliding Clutch (1)900125 Ring (1)900220 Key Selector (1)900230
36	FUL4302317	KEY	40	FULK-3600	KIT, Pinion (for 900090-Current Design) Includes Bushings (4)EF61030 Rings (1)EF27470 (1)900220 Cover (1)EF69470 Bearings (1)GBG-8966 (1)EBG-8688 Yoke (1)GCY-6113 Brake (1)CCB-9690 Gasket Kit (1)900171 Pinion Assembly (1)900090
37	FUL4303877	COUNTERSHAFT, Standard (FRO 15210B)	40	FULK-3602	KIT, Pinion (For FUL4302315-Original design)
37	FULK-3262	COUNTERSHAFT, Kit (C Ratio) (w/ Reverse & 1st Gear-Standard)	41	FUL4302259	WASHER
37	FUL4303878	COUNTERSHAFT, Lower w/ Pump (FRO 14210B, 15210B)			
37	FULK-3264	COUNTERSHAFT, Kit (C Ratio) (w/ Reverse & 1st Gear-Lower w/ Pump)			
37	FULK-3266	COUNTERSHAFT, Kit (w/ Reverse & 1st Gear, Thru Shaft PTO & Pump) (FRO 14210C, FROF 15210C)			
37	FUL4303950	COUNTERSHAFT (w/ Thru Shaft PTO) (Lower & Upper) (FRO 14210B, 15210B)			
37	FULK-3265	COUNTERSHAFT, Kit (w/ Reverse & 1st Gear, Lower & Upper w/ Thru Shaft PTO) (FRO 14210C, FROF 15210C)			
37	FULK-3270	COUNTERSHAFT, Kit (w/ Reverse & 1st Gear) (FRO 14210B, 14210C, 15210B, 15210C)			



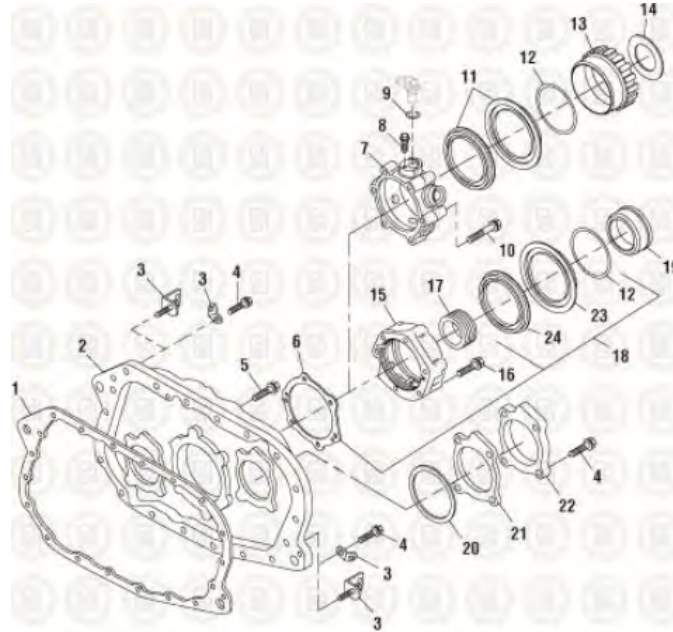
FULLER TRANSMISSIONS – FRO/RT/RTO 14210, 15210, 16210, 18210 – SHIFT COVER COMPONENTS

KEY	OEM REF.	DESCRIPTION
1	FUL14197	O-RING, Range
2	FUL14765	O-RING
3	FUL5568507	O-RING
4	FUL4302080	RING, Retaining
5	FUL4302177	PISTON, Range (NSS only in kit EF17220)
6	FULK-3128	KIT, Piston Range Includes Range Piston (1)EF17210 Ring (1)GRI-2724
7	FUL20423	O-RING
8	FUL15569	O-RING
9	FUL4304602	BREATHER (Use w/ Housing 4304435)
10	MAK49AX233	PLUG (3/8in)
10	MAK49AX244	PLUG (1/4in)
11	FUL4302156	GASKET, Shift
12	MAK49AX230	PLUG
13	FUL4304604	KEY, Selector (Old Design)
14	FUL4303037	SHAFT (Old Design)
14	FUL4305078	SHAFT (New Design)
15	FUL4302159	KEY, Selector (New Design)
16	MAK3088-5554902	FITTING
17	FULA-6342	ASSEMBLY, Air Module
18	FULK-3245	KIT, Air Module Includes Assembly (1)900363 Fittings (2)840077 O-Rings (2)EF29180 (1)121220 Lubricant (1)GSL-0383
19	FUL14197	SWITCH, Reverse (Normally Open)
20	FUL4304438	FORK, 4th/5th
21	FULK-3916	BAR, Shift



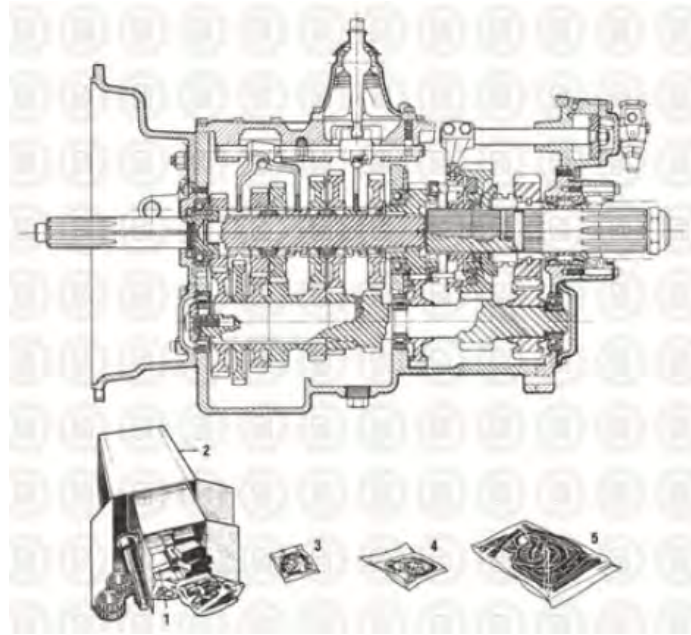
FULLER TRANSMISSIONS – FRO/RT/RTO 14210, 15210, 16210, 18210 – AUXILIARY COMPONENTS

KEY	OEM REFERENCE	DESCRIPTION
1	FUL4302313	BEARING
2	MAK46AX517	BEARING
3	FUL4302257	RETAINER
4	FULX-8-1003M	SCREW (M10 x 1.5 x 25mm)
5	FUL4302435	GEAR, Auxiliary Main Drive
6	FUL17399	RING, Retaining
7	FUL14897	SPRING
8	FULK-2446	KIT, Synchronizer (w/o Clutch) Includes Synchronizer Kit (1) Spring (3)EF25380
9	FUL4300924	CLUTCH, Sliding
10	FULA-5917	SYNCHRONIZER, High
11	FUL4302276	MAINSHAFT
12	FUL4302243	WASHER
13	FUL4302427	GEAR, Auxiliary Mainshaft (14210C, 15210C)
13	FUL4302413	GEAR, Auxiliary Mainshaft (14210B, 15210B)
14	FUL22898	SPACER
15	FUL5556503	BEARING
16	FUL4302321	NUT
17	FUL4302074	BEARING
18	FULA-6436	COUNTERSHAFT (C Ratio w/ C/S FUL4302583)
18	FULA-6434	ASSEMBLY, Countershaft (B Ratio)
19	FUL22903	SPACER, Countershaft (FROF 16210A)
20	FULK-3495	KIT, Synchronizer Includes Synchronizer Kit (1)EF25280 Sliding Clutch (1)EF25530
21	FUL4302179	FORK, Range
22	FUL4302080	RING, Retaining
23	FULK-3131	KIT, Yoke Bar
24	FULK-3130	KIT, Range Fork Includes Fork (1)900206 Retaining Ring (1) GRI-2724



FULLER TRANSMISSIONS – FRO/RT/RTO 14210, 15210, 16210, 18210 – AUXILIARY HOUSING COMPONENTS

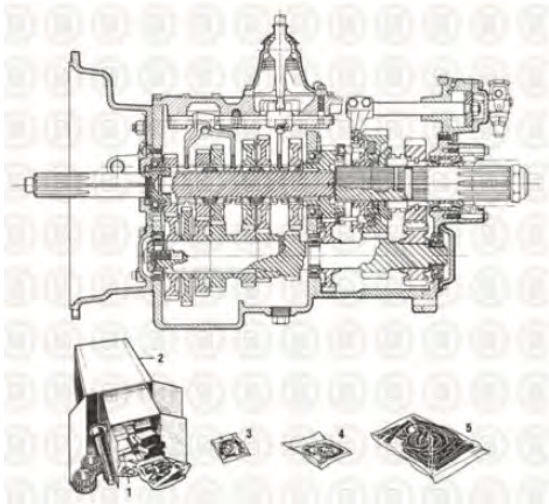
KEY	OEM REF.	DESCRIPTION	KEY	OEM REF.	DESCRIPTION
1	FUL14335	GASKET	18	FULK-2262	KIT, Oil Seal w/ Slinger (Mechanical) Includes Seal (1)EF69580 Slinger (1)EF69590 Gaskets (1)EF64510-015 (1)EF64520-002 (1)900340 (1)EF69850 Collar (1)EF30270 Washer 91)EF24430
2	FULS-2691	HOUSING, Rear	19	FULS-2503	SPACER, Speedo (Mechanical)
2	FULK-3239	HOUSING, Rear Replacing	20	FULK-2805	KIT, Shim Includes Shims (1)EF72550-033 (1)EF72550-036 (1)EF72550-039 (2)EF72550-042 (2)EF72550-045 (2)EF72550-048 (2)EF72550-051 (2)EF72550-054 (2)EF72550-057 (2)EF72550-060 (2)EF72550-063 (2)EF72550-066 (2)EF72550-069
3	FULK-3517	KIT, Eye Lifting	21	FUL21345	GASKET
3	FUL20815	EYE, Lifting (Current design)	22	FUL4302320	COVER
4	FULX-8-1003M	SCREW (M10 x 1.5 x 25mm)	23	FUL20808	SLINGER
5	FULX-8-1006M	SCREW (M10 x 1.5 x 45mm)	24	FUL20807	SEAL
5	FULX-8-1005M	SCREW (M10 x 1.5 x 35mm)			
6	FUL4302247	GASKET, Cover (Purple Edge)			
6	FUL1009551	GASKET, Cover (Red Edge)			
7	FULS-2809	COVER, Rear Bearing (Magnetic Pick-up)			
8	FULX-8-0801M	SCREW (M8 x 1.25 x 12mm)			
9	MAK56AX533	O-RING			
10	FULX-8-1009M	SCREW (M10 x 1.5 x 50mm)			
10	FULX-8-1008M	SCREW (M10 x 80)			
11	FULK-2918	KIT, Oil Seal (Magnetic) Includes Seal (1)EF69840 Gaskets 91)EF69850 (1)900340 Slinger (1)EF69860 O-Ring (1)EF29220			
12	FUL5568511	O-RING			
13	FULS-2501	RING, Exciter			
14	FUL4304653	SLINGER, Oil (Magnetic)			
15	FULS-2502	COVER, Rear Bearing (Mechanical-4:00 Opening)			
15	FULS-2859	COVER, Rear Bearing (Mechanical-6:00 Opening)			
16	FULX-8-1007M	SCREW (M10 x 1.5 x 75mm)			
17	FUL86104	GEAR, Speedo Drive (Mechanical)			



FULLER TRANSMISSIONS – RT/RTO/RTOO/RTLO 14613 AND 14813 – TRANSMISSION KITS

KEY	OEM REF.	DESCRIPTION	KEY	OEM REF.	DESCRIPTION
1	FULK-1554	KIT, Bearing and Seal (Auxiliary Range Rebuild) Includes Bearings (2)GBG-6138 (1)GBG-3871 (2)GBG-6166 Bearing Kit (1)GBG-6090 Gaskets (1)EF64510-015 (2)EF64510-004 (1)EF64510-019 (1)EF64510-005 (1)EF64510-014 Rings (2)EF27540 (1)EF27520 (1)EF27480 Springs (3)EF25380 Spacer (1)EF10870 Valve (1)EF36610	2	FULK-1972	KIT, Bearing and Seal (Overhaul) Includes Bearings (1)GBG-3871 (2)GBG-6138 (2)GBG-6171 (1)GBG-6087 (1)GBG-6083 (2)GBG-6137 (2)GBG-6089 (2)GBG-6166 Bearing Kit (1)GBG-6090 Seal Kit (1)EF69530 Springs (3)EF16610 (3)EF25380 Clutches (2)EF26060 Rings (5)EF27410 (1)EF27470 (1)EF27520 (1)EF27540 (2)EF27550 (2)GRI-2706 O-Rings (1)EF30160 (2)EF30180 (1)EGA-0420 O-Ring Kit (1)EF39690 Bushing (1)EF34060 Valve (1)EF36610 Adapters (2)EF42090 Gasket Kit (1)EF64550 Cover (1)EF69470 Pinion Assembly (1)EF67490 Collets (4)EF42170
1	FULK-2278	KIT, Bearing and Seal (Rebuild) (RTLO) Includes Bearings (2)GBG-6171 (1)GBG-6087 (1)GBG-6083 (2)GBG-6089 (2)GBG-6137 (4)GBG-6155 Bearing Kit (1)GBG-6090 Seal Kit (1)EF69520 Gasket Kit (1)EF64550 Rings (2)GRI-2706 (1)EF27410 (2)EF27550 (1)27470 Springs (3)EF25380 Bushing (1)EF34050 O-Rings (2)EF30180 O-Ring Kit (1)EF39690 Shim Kit (1)EF72550 Valve (1)EF36610	3	FULK-2002	KIT, O-Ring Includes O-Rings (1)EF30190 (1)EF30260 O-Ring Kit (1)EF39760 Gasket (1)EF64510-013
1	FULK-1871	KIT, Bearing and Seal (Rebuild) Includes Bearings (1)GBG-3871 (2)GBG-6138 (2)GBG-6171 (2)GBG-6165 (1)GBG-6083 (1)GBG-6087 (2)GBG-6137 Bearing Kit (1)GBG-6090 Springs (3)EF25380 Rings (5)EF27410 (1)EF27470 (1)EF27520 (1)EF27540 (2)EF27550 (2)GRI-2706 O-Rings (1)EF30160 (2)EF30180 (1)EGA-0420 O-Ring Kit (1)EF39690 Bushings (1)EF34050 (1)EF34060 Gasket Kit (1)EF64550 Seal Kit (1)EF69530 Valve (1)EF36610	3	FULK-1447	KIT, O-Ring Includes O-Rings (1)EF30150 (1)EF30160 (1)EF30170 (1)EF30140 (1)EGA-0430 (1)EGA-0420 Gaskets (1)EF64510-014 (1)EF39060 Nuts (1)HNU-0079 (1)ENU-2780 Sealant (1)GSL-0383
			4	FULK-1450	KIT, O-Ring,Range Cylinder Includes O-Rings (1)EF30150 (1)EF30170 (1)GGA-2932 Gaskets (1)EF64510-014 (1)EF64510-005 Nut (1)ER01960 Lubricant (1)GSL-0383

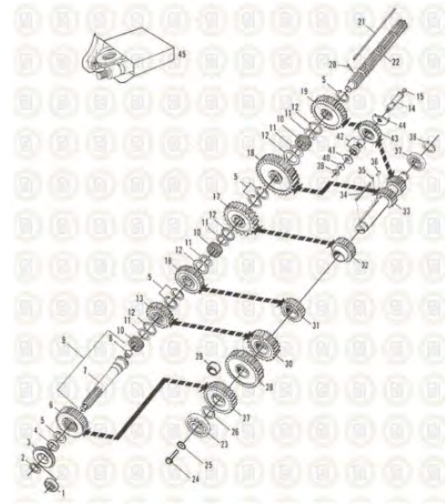
Continued



FULLER TRANSMISSIONS – RT/RTO/RTOO/RTLO 14613 AND 14813 – TRANSMISSION KITS

Continued

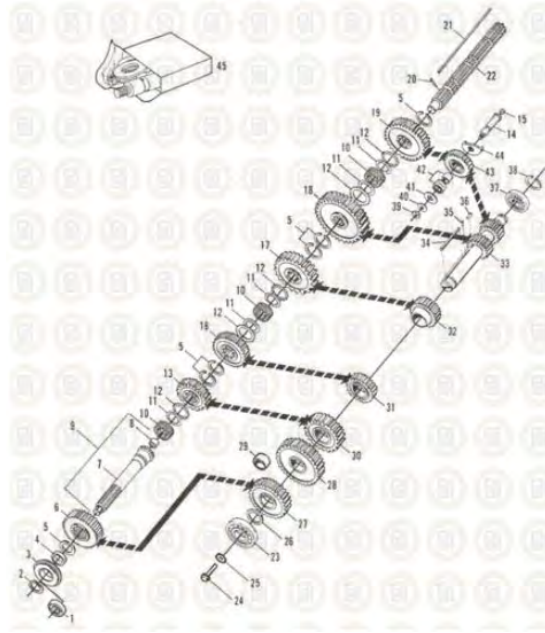
KEY	OEM REF.	DESCRIPTION
4	FULK-1451	KIT, O-Ring, Splitter Includes O-Rings (1)EF30140 (1)EF30160 (1)EGA-0420 Nut (1)ENU-2780
5	FULK-1783	KIT, Gasket Includes Gaskets (1)EF64510-001 (1)EF64510-002 (1)EF64510-003 (2)EF64510-004 (1)EF64510-005 (1)EF64510-006 (1)EF64510-007 (1)EF64510-008 (1)EF64510-009 (1)EF64510-010 (1)EF64510-011 (1)EF64510-012 (1)EF64510-013 (1)EF64510-014 (1)EF64510-015 (1)EF64510-016 (1)EF64510-017 (1)EF64510-018 (1)EF64510-019



FULLER TRANSMISSIONS – RT/RTO/RTOO/RTLO 14613 AND 14813 – MAIN CASE COMPONENTS

KEY	OEM REF.	DESCRIPTION
1	FUL8997	NUT (Use w/EF67380)
2	FUL16980	RING, Retaining
3	MAK3088-81504	BEARING
4	FUL16463	SPACER
5	FUL14750	RING, Retaining
6	FUL21019	GEAR (RTOO)
6	FUL20458	GEAR (RT/RTO/RTLO)
6	FUL22961	GEAR (RTOO) (Back Taper Clutch Teeth)
7	FUL16465	PINION (2in Pull) (Use S-1128)
7	FUL20535	PINION (2in Pull) (Use S-1659)
8	FUL16566	BUSHING
9	FULS-1409	ASSEMBLY, Pinion (2in x 10 Spline-Pull w/ Seal) Includes Pinion EF18837
9	FULS-1128	ASSEMBLY, Pinion (2in x 10 Spline-Pull) Includes Pinion EF67380
9	FULS-1659	ASSEMBLY, Pinion (2in x 10 Spline-Pull) Includes Pinion EF67390
10	FUL16118	CLUTCH, Sliding (Use w/16465)
10	FUL4304317	CLUTCH, Sliding
11	FUL14711	SPACER (.249in thk) (Use w/Hex Key, 17109)
11	FUL14712	SPACER (.254 in thk) (Use w/Hex Key, 17109)
11	FUL14713	SPACER (.259 in thk) (Use w/Hex Key, 17109)
11	FUL14714	SPACER (.264 in thk) (Use w/Hex Key, 17109)
11	FUL14715	SPACER (.269 in thk) (Use w/Hex Key, 17109)
11	FUL14716	SPACER (.274 in thk) (Use w/Hex Key, 17109)
12	FUL14749	SPACER

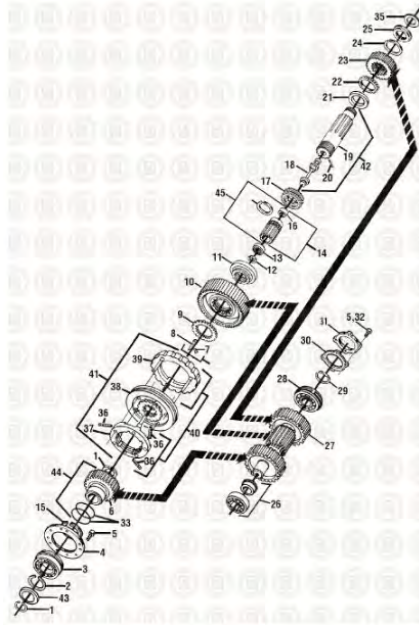
Continued



**FULLER TRANSMISSIONS – RT/RT0/RT00/RTLO 14613
AND 14813 – MAIN CASE COMPONENTS**

Continued

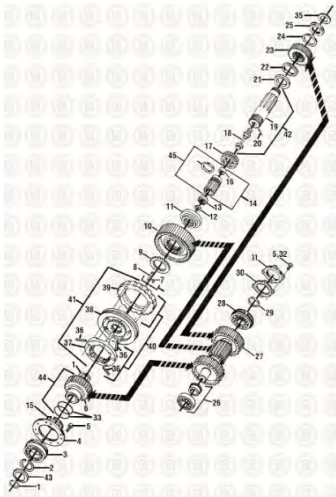
KEY	OEM REF.	DESCRIPTION	KEY	OEM REF.	DESCRIPTION
13	FUL21587	GEAR (RTLO)	28	FUL15953	GEAR, PTO (Left)
13	FUL21261	GEAR (RT00)	28	FUL15952	GEAR (Right)
13	FUL20391	GEAR (RT/RTO)	29	FUL16390	SPACER (PTO Gear Replacement)
13	FUL22960	GEAR (RT00) (Back Taper Clutch Teeth)	30	FUL21588	GEAR (RTLO)
13	FUL4303476	GEAR (RT/RTF/RTO/RTOF)	30	FUL21020	GEAR (RT/RTO)
14	FUL16405	SHAFT	31	FUL19623	GEAR (RT00)
15	FUL5202	PLUG	31	FUL20482	GEAR (RT/RTO)
16	FUL21589	GEAR (RTLO)	32	FUL20471	GEAR (RT/RTO)
16	FUL19622	GEAR (RT00)	32	FUL21025	GEAR (RT00)
16	FUL20390	GEAR (RT/RTO)	33	FULA-6689	COUNTERSHAFT
17	FUL21591	GEAR (RTLO)	33	FUL19549	COUNTERSHAFT
17	FUL21024	GEAR (RT00)	34	FUL19673	KEY
17	FUL20389	GEAR (RT/RTO)	35	MAK31AX532	PIN
18	FUL4300654	GEAR, Low (RTLO)	36	FULX-6-E	KEY
18	FUL16754	GEAR, Low (RT/RTO/RT00)	37	FUL11888	BEARING (2 pc bearing assembly)
19	FUL16756	GEAR, Reverse	37	MAK67AX224	BEARING
20	FUL62504	PIN	38	MAK97AX181	RING, Retaining
21	FUL4304615	KEY (3 Sided) (Current)	39	MAK21AX360	NUT
21	FUL4304614	KEY (3 Sided)	40	FUL14283	WASHER, Idler
21	FUL17109	KEY (Hex Key)	41	FUL4302982	WASHER
22	FULS-1561	KIT, Mainshaft (RTLO)	42	MAK3088-14287	BEARING
23	MAK3088-19551	BEARING	43	FUL16757	GEAR, Reverse Idler
24	MAK419GC113B	SCREW	44	FUL16403	WASHER
25	FUL19548	RETAINER	45	FULK-2059	KIT, Reverse Shaft Includes Shaft (1)EF61210 Washers (1)EF01780 (1)EF01870 Nut (1)HNU-5977 Plug (1)EF01530
26	FUL19198	RING, Retaining			
27	FUL21586	GEAR (RTLO)			
27	FUL20459	GEAR (RT/RTO)			
27	FUL21018	GEAR (RT00)			



FULLER TRANSMISSIONS – RT/RTO/RTOO/RTLO 14613 AND 14813 – AUXILIARY COMPONENTS - EARLY STYLE

KEY	OEM REF.	DESCRIPTION	KEY	OEM REF.	DESCRIPTION
1	FUL16763	RING, Retaining	23	FUL20917	GEAR (RTO/RTOO 14613 & 14813)
2	FUL16628	RING,Retaining	23	FUL19220	GEAR (RT 14613 & 14813)
3	MAK46AX517	BEARING	24	FUL14327	RING,Retaining
4	FUL16138	RETAINER	25	FUL16315	SPACER
5	MAK6AX1359X	SCREW (3/8in-16 x 1in)	26	MAK67AX264	BEARING (RT 14613)
6	FUL19216	GEAR (RTOO 14613) (Use K-1789, EF65290)	26	MAK3088-4300828	BEARING (RTO 14613 & 14813)
6	FUL4300547	GEAR	27	FULA-4957	COUNTERSHAFT(RTO 14613)
6	FUL22883	GEAR (RTO 14813) (Use K-2168)	27	FULA-4956	COUNTERSHAFT(RT 14613)
7	FUL14832	PIN (Use EF26750)	27	FULA-4726	COUNTERSHAFT(RTOO 14613)
8	FUL15516	KEY (Use EF26750)	27	FULA-5463	COUNTERSHAFT(RTO 14813)
9	FUL15932	SPACER (.203in thk)	28	MAK3088-81057	BEARING
9	FUL17257	SPACER (.207in thk)	29	FUL16723	RING,Retaining
9	FUL17258	SPACER (.211in thk)	30	FUL17097	GASKET
10	FUL20388	GEAR (RT/RTO 14613 & 14813)	31	FUL16724	COVER
10	FUL19214	GEAR (RTOO 14613 & 14813)	32	MAK4AX1	SCREW (3/8in-16 x 1-1/4in)
11	FUL19131	COUPLER	33	FUL17453	O-RING
12	FUL14291	RING, Retaining	34	FULA-3697	KEY Assy
13	MAK46AX38	BEARING	35	FUL11956	NUT
14	FULA-4410	KIT, Mainshaft, Range (Can Use EF63680) Includes Bushing (1)EF34060	35	FUL22254	NUT, Flanged
15	FUL18135	RING, Retaining	36	FUL14897	SPRING
16	FUL16516	BUSHING	37	FULA-5917	SYNCHRONIZER, Hi (Use EF25350)
17	FUL19132	CLUTCH, Sliding	38	FUL20323	CLUTCH, Sliding
18	FULK-1644	KIT, Quill (Incl: (1)EF51260)	38	FUL16759	CLUTCH, Sliding
19	FUL18018	SHAFT, Main (Use EF63450)	39	FULA-4416	SYNCHRONIZER, Lo (Use EF25350)
20	FUL16833	PIN (Use EF63360)	40	FULK-2446	KIT, Synchronizer (Big Pin) (w/o Clutch) (K-1946 Type) (Incl: Hi & Lo Rings and Springs)
21	FUL18019	WASHER			
22	FUL18251	WASHER			

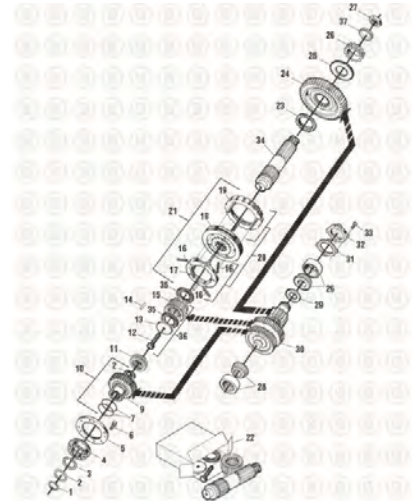
Continued



FULLER TRANSMISSIONS – RT/RTO/RTOO/RTLO 14613 AND 14813 – AUXILIARY COMPONENTS - EARLY STYLE

Continued

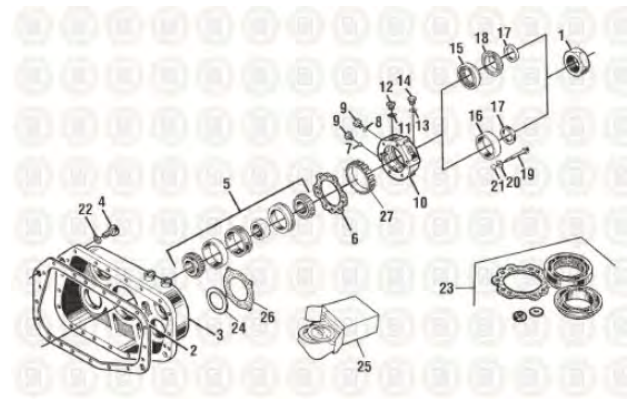
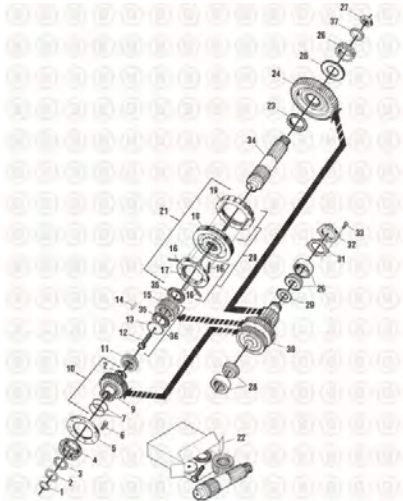
KEY	OEM REF.	DESCRIPTION
40	FULK-2445	KIT, Synchronizer (Small Pin) (K-1945 Type) (Incl: Hi & Lo Rings & Springs)
41	FULK-2448	KIT, Synchronizer (Big Pin) (K-1948 Type) (Incl: (1)EF25280 (1)EF25980)
42	FULA-4414	KIT, Mainshaft Includes Shaft (1)EF63430 Pin (1)EF51260 Quill (1)EF63350
43	FUL21320	RETAINER
44	FULK-1789	KIT, Aux. Drive(RTOO) Includes Gear (1)EF64480 O-Ring (2)EF30180
44	FULK-2316	KIT, Auxiliary Drive Includes Gear (1)900140 O-Rings (2)EF30180 Retainer (1)EF10880
45	FULK-1546	KIT, Mainshaft, Range Includes Shaft Kit (1)EF63670 Ring (1)EF27490



FULLER TRANSMISSIONS – RT/RTO/RTOO/RTLO 14613 AND 14813 – AUXILIARY COMPONENTS - CURRENT STYLE

KEY	OEM REF.	DESCRIPTION
1	FUL21320	RETAINER
2	FUL16763	RING, Retaining
3	FUL16628	RING, Retaining
4	MAK46AX517	BEARING
5	FUL16138	RETAINER, Bearing
6	MAK6AX1359X	SCREW (3/8in-16 x 1in)
7	FUL17453	O-RING
8	FUL21599	WASHER
9	FUL4303558	GEAR (Use K-3189)
10	FULK-3189	KIT, Auxiliary Drive Gear
11	FUL21930	CLUTCH, Sliding
12	MAK419GC113B	SCREW (5/8in-18 x 1-3/4in)
13	FULA-6340	RETAINER
14	MAK31AX532	PIN
15	FUL21931	GEAR
15	FUL4302376	GEAR, Auxiliary Mainshaft
16	FUL14897	SPRING
17	FULA-5917	SYNCHRONIZER, Hi (Use EF25280)
18	FUL20323	CLUTCH, Sliding
19	FULA-4937	SYNCHRONIZER, Lo (Use EF25280)
20	FULK-2446	KIT, Synchronizer (Big Pin) (w/o Clutch) (K-1946 Type) (Incl: Hi & Lo Rings & Springs)
21	FULK-2448	KIT, Synchronizer (Big Pin) (K-1948 Type) (Incl: (1)EF25280 (1)EF25980)
22	FULK-2795	KIT, Auxiliary Mainshaft Includes Mainshaft (1)900152 Gear (1)900058 Bearings (2)EF64610 Retainer (1)EF30880 Screw (1)ESC-1610
23	FUL19203	SPACER
24	FUL21918	GEAR

Continued



FULLER TRANSMISSIONS – RT/RTO/RTOO/RTLO 14613 AND 14813 – AUXILIARY COMPONENTS - CURRENT STYLE

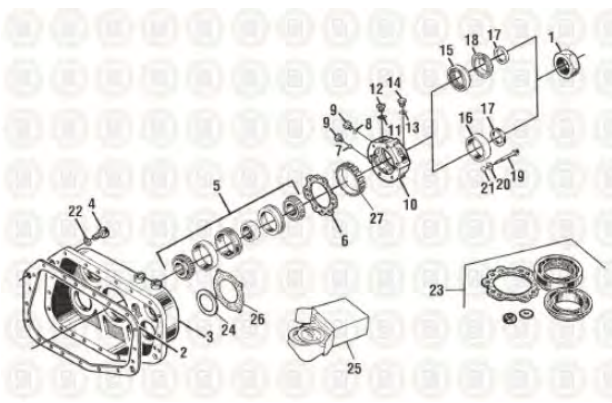
Continued

KEY	OEM REF.	DESCRIPTION
25	FUL16772	WASHER
26	FUL16295	SPACER, Speedometer
27	FUL11956	NUT
27	FUL22254	NUT, Flanged
28	MAK3088-4302074	SET, Bearing (Cup and Cone)
29	FUL4300184	SPACER
30	FULA-5899	COUNTERSHAFT
31	FUL4300186	GASKET
32	FUL4300185	COVER
33	MAK6AX1308X	SCREW (3/8in-16 x 1-1/4in)
34	FUL4302059	MAINSHAFT, Auxiliary (Current)
35	FUL4302058	BEARING, Thrust
36	FULK-2617	KIT, Retainer Replacement Includes Screw (1)ESC-1610 Bearing (1)EF64610 Retainer (1)EF30880 Gear (1)EF61860
36	FULK-2796	KIT, Retainer Replacment Includes Screw (1)ESC-1610 Bearing (1)EF64610 Retainer (1)EF30880 Gear (1)900058
37	FUL20191	GEAR, Speedo

FULLER TRANSMISSIONS – RT/RTO/RTOO/RTLO 14613 AND 14813 – AUXILIARY COMPONENTS - AUXILIARY HOUSING COMPONENTS

KEY	OEM REF.	DESCRIPTION
1	FUL11956	NUT
1	FUL22254	NUT, Flanged
2	FUL14335	GASKET
3	FUL18786	HOUSING, Rear
3	FUL18743	HOUSING (w/Oil Cooler)
4	FULX-8L-604	SCREW (3/8in-16 x 2in)
4	MAK6AX1308X	SCREW (3/8in-16 x 1-1/4in)
4	MAC6AX1309X	SCREW (3/8in-16 x 1-1/2in)
5	MAK3088-15260	KIT, Bearing
6	FUL15532	GASKET, Rear Bearing Cover
7	MAK153KB15	BUSHING
8	MAK56AX533	O-RING
9	FUL20226	PLUG
10	FULS-1429	COVER, Rear Bearing
11	FUL17179	GASKET
12	MAK49AX224	PLUG, Magnetic
13	FUL13679	O-RING
14	FUL20224	PLUG
15	FUL20807	SEAL, Oil
16	FUL19109	SEAL, Oil (3-3/4in I.D.)
17	FUL16295	SPACER
18	FUL20808	SLINGER
19	FULX-8-605	SCREW (3/8in-16 x 3)
20	FUL17106	WASHER
21	FUL19709	COLLAR
22	MAK36AX3	WASHER, Lock
23	FULK-2262	KIT, Seal, Oil (Incl: (1)EF24430 (1)EF30270 (1)EF64510-015 (1)EF64520-002 (1)EF69580 (1)EF69590)
24	FUL4302345	SHIM
24	FUL21452	SHIM
24	FUL21453	SHIM

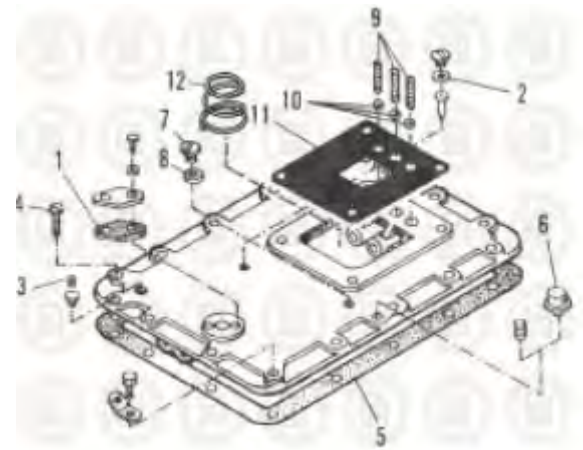
Continued



FULLER TRANSMISSIONS – RT/RTO/RTOO/RTLO 14613 AND 14813 – AUXILIARY COMPONENTS - AUXILIARY HOUSING COMPONENTS

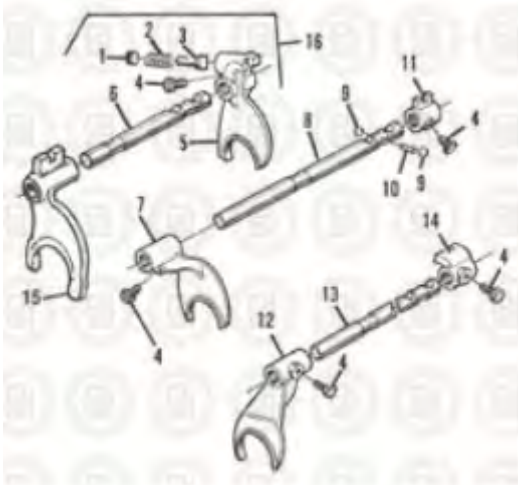
Continued

KEY	OEM REF.	DESCRIPTION
24	FUL21454	SHIM
24	FUL21455	SHIM
24	FUL21456	SHIM
24	FUL21457	SHIM
24	FUL21458	SHIM
24	FUL21459	SHIM
24	FUL21460	SHIM
24	FUL21461	SHIM
24	FUL21684	SHIM
24	FUL21685	SHIM
24	FUL23151	GAUGE
25	FULK-2805	KIT, Shim (RTLO 14613) Includes Shims (2)EF72550-042 (2)EF72550-045 (2)EF72550-048 (2)EF72550-051 (2)EF72550-054 (1)EF72550-069 (2)EF72550-033 (1)EF72550-036 (1)EF72550-039 (1)EF72550-057 (1)EF72550-060 (1)EF72550-063 (1)EF72550-066 Gauge (1)EF72550-100
26	FUL4300186	GASKET, Countershaft Cover
27	FUL20191	GEAR, Speedo



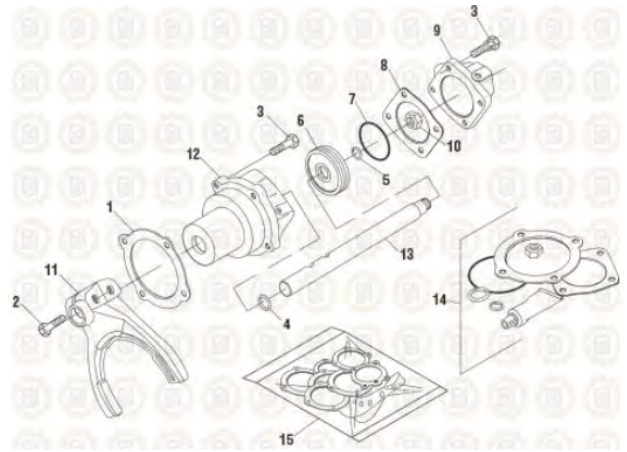
FULLER TRANSMISSIONS – RT/RTO/RTOO/RTLO 14613 AND 14813 – COVER COMPONENTS

KEY	OEM REF.	DESCRIPTION
1	FUL20209	GASKET
2	FUL15900	GASKET
3	MAK49AX233	PLUG
4	MAK6AX1308X	SCREW (3/8in-16 x 1-1/4in)
4	MAK6AX1309X	SCREW (3/8in-16 x 1-1/2in)
5	FUL14918	GASKET
6	FUL4304602	BREATHER
7	MAK49AX224	PLUG, Magnetic
8	FUL17179	GASKET
9	FUL15918	SPRING
10	MAK48AX17	BALL
11	FUL19870	GASKET
12	FUL2536	SPRING, Shift Lever



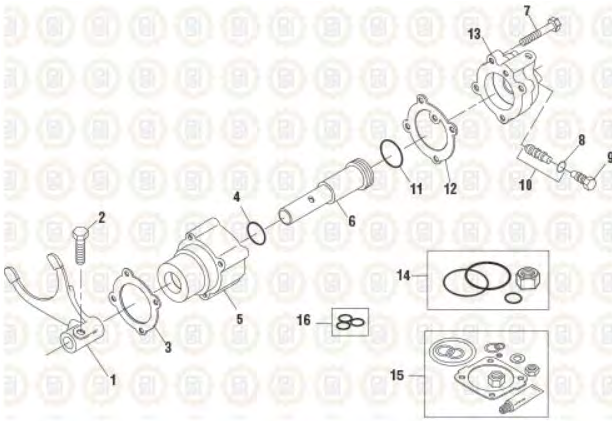
FULLER TRANSMISSIONS – RT/RT0/RT00/RTLO 14613 AND 14813 – SHIFTER COMPONENTS

KEY	OEM REFERENCE	DESCRIPTION
1	FUL8968	PLUG
2	FUL6392	SPRING
3	FUL10019	PLUNGER
4	FUL3220	SCREW, Lock
5	FUL16131	FORK, Shift, Reverse
6	FUL16132	RAIL, Yoke, Reverse
7	FUL16135	FORK, Shift, 2nd
8	FUL16133	RAIL, Yoke, 2nd
9	MAK48AX12	BALL (3/4in Dia.)
10	FUL1634	PIN
11	FUL14658	SHIFTER Block, 2nd
11	FUL15770	SHIFTER Block, 2nd (F)
12	FUL16136	FORK, Shift, Direct
13	FUL16134	RAIL, Yoke, Direct
14	FUL14912	SHIFTER Block, Direct (F)
14	FUL14659	SHIFTER Block, Direct
14	FUL19063	SHIFTER Block (RTOX/RTLO)
15	FUL20450	FORK, 3rd, Direct (RTOX)
16	FULS-1219	KIT, Fork (Incl: (1)EF06390 (1)16630 (1)EF16770 (1)16830)



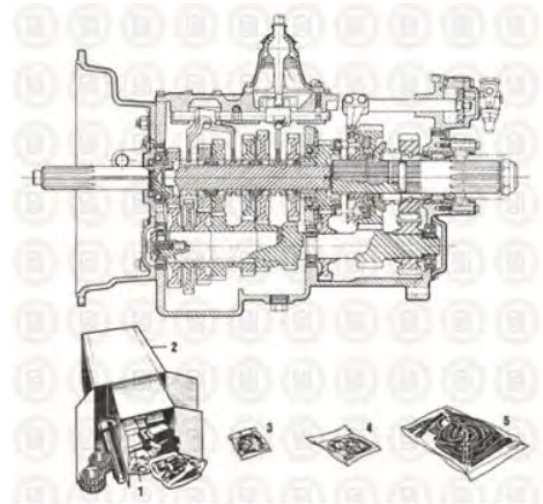
FULLER TRANSMISSIONS – RT/RT0/RT00/RTLO 14613 AND 14813 – RANGE CYLINDER

KEY	OEM REF.	DESCRIPTION
1	FUL14347	GASKET
2	FULX-7-810	SCREW
3	MAK6AX1308X	SCREW (3/8in-16 x 1-1/4in)
4	FUL14765	O-RING
5	MAK446GC1131	O-RING
6	FUL14341	PISTON
7	FUL14344	O-RING
8	FUL14349	GASKET, Auxiliary Cylinder Cover
9	FUL19690	COVER, Cylinder Range
10	ROKNL-110-1	NUT, Locking (5/8in-18)
10	MAK20AX7	NUT (5/8in-18)
11	FUL22823	FORK (RTLO 14610A)
12	FUL16778	CYLINDER, Range
12	FUL16777	CYLINDER, Range
13	FUL16776	RAIL, Yoke
13	FUL4300183	RAIL, Yoke (RTLO 14613)
14	FULK-2002	KIT, O-Ring, Range (RTLO 14613) Includes O-Rings (1)EF30190 (1)EF30260 O-Ring Kit (1)EF39760 Gasket (1)EF64510-013
14	FULK-1450	KIT, O-Ring, Range Cylinder Includes O-Rings (1)EF30150 (1)EF30170 (1)GGA-2932 Gaskets (1)EF64510-014 (1)EF64510-005 Nut (1)EF01960 Lubricant (1)GSL-0383
15	FULK-1603	KIT, Gasket Includes Gaskets (2)EF64510-004 (1)EF64510-005 (1)EF64510-006 (1)EF64510-013 (1)EF64510-014 (1)EF64510-015 (1)EF64510-019 (2)EF64530-001 (2)EF64510-021 Collar (1)EF30270



FULLER TRANSMISSIONS – RT/RT0/RT00/RTLO 14613 AND 14813 – INTERMEDIATE CYLINDER COMPONENTS

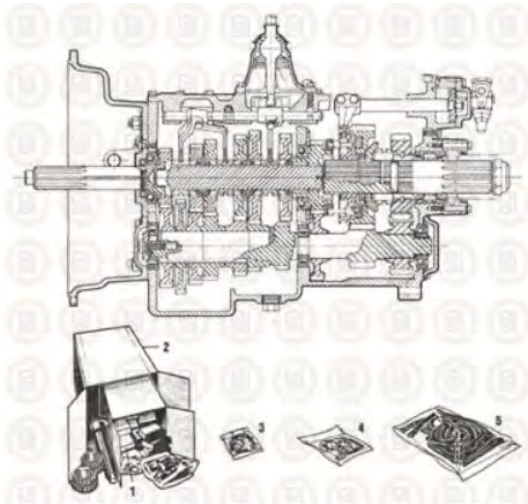
KEY	OEM REF.	DESCRIPTION
1	FUL19128	FORK, Shift
1	FUL21607	FORK, Shift (RTLO 14613)
2	FUL3220	SCREW, Lock
3	FUL14632	GASKET
4	FUL21208	O-RING
4	MAK122SB99	O-RING (RTLO 14613)
5	FUL21210	CYLINDER, Intermediate
6	FUL16961	RAIL, Yoke & Piston
6	FUL4300182	RAIL, Yoke & Piston
7	FULX-8-540	SCREW (5/16in-18 x 1-7/8in)
8	FUL13653	O-RING
9	FUL15719	PLUG
10	FUL19974	VALVE, Insert
11	FUL14621	O-RING
11	FUL21209	O-RING (RTLO 14613)
12	FUL17073	GASKET
13	FUL4300927	COVER, Cylinder
13	FUL21760	COVER (RTLO 14613)
14	FULK-1451	KIT, O-Ring, Intermediate Cylinder Includes O-Rings (1)EF30140 (1)EF30160 (1)EGA-0420 Nut (1)ENU-2780
15	FULK-1447	KIT, O-Ring, Range & Intermediate Cylinder Includes O-Ring (1)EF30150 (1)EF30160 (1)EF30170 (1)EF30140 (1)EGA-0430 (1)EGA-0420 Gaskets (1)EF64510-014 (1)EF39060 Nuts (1)HNU-0079 (1)ENU-2780 Sealant (1)GSL-0383
16	FULK-1457	KIT, O-Ring, Insert Valve Includes (3)EF30130



FULLER TRANSMISSIONS – RTLO 16618 – TRANSMISSION KITS

KEY	OEM REF.	DESCRIPTION
1	FULK-2278	KIT, Bearing and Seal (Rebuild) (Incl: (2)GRI-2706 (3)EF25380 (1)EF27410 (2)EF27550 (2)EF30180 (1)EF34050 (1)EF36610 (1)EF39690 (1)EF64550 (1)EF69520 (1)EF72550 (2)GBG-6171 (1)GBG-6087 (1)GBG-6083 (2)GBG-6089 (1)GBG-6090 (2)GBG-6137 (4)GBG-6155 (1)EF27470)
1	FULK-2338	KIT, Bearing and Seal (Auxiliary Range Rebuild) (Incl: (3)EF25380 (1)EF36610 (1)EF42070 (1)EF64530 (1)EF69520 (1)EF39690 (1)EF72550 (1)GBG-6090 (4)GBG-6155)
2	FULK-2993	KIT, Bearing and Seal (Overhaul) (Incl: (1)EF27410 (3)EF25380 (3)EF16610 (1)EF26060 (2)EF27550 (1)EF27470 (2)EF30180 (1)EF36610 (4)EF42170 (1)EF42070 (1)EF69520 (1)EF39690 (1)EF64550 (1)EF72550 (1)EF67490 (2)GRI-2706 (1)BSR-0385 (2)GBG-6171 (1)GBG-6083 (1)GBG-6090 (4)GBG-6155 (1)GBG-6087 (2)GBG-6137 (2)GBG-6089)
3	FULK-1447	KIT, O-Ring (Incl: (1)EF30140 (1)EF30150 (1)EF30160 (1)EF30170 (1)EF39060 (1)EF64510-014 (1)HNU-0079 (1)EGA-0420 (1)EGA-0430 (1)ENU-2780 (1)GSL-0383)
4	FULK-1450	KIT, O-Ring, Range Cylinder (Incl: (1)GSL-0383 (1)EGA-0430 (1)EF30150 (1)EF30170 (1)EF64510-005 (1)EF64510-014 (1)EF01960)
4	FULK-1451	KIT, O-Ring, Splitter (Incl: (1)EF04200 (1)EF27800 (1)EF30140 (1)EF30160)

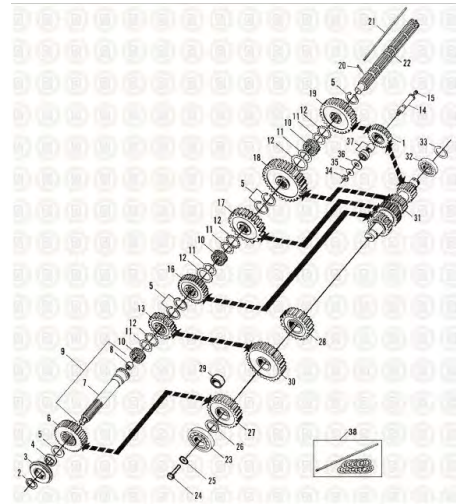
Continued



FULLER TRANSMISSIONS – RTLO 16618 – TRANSMISSION KITS

Continued

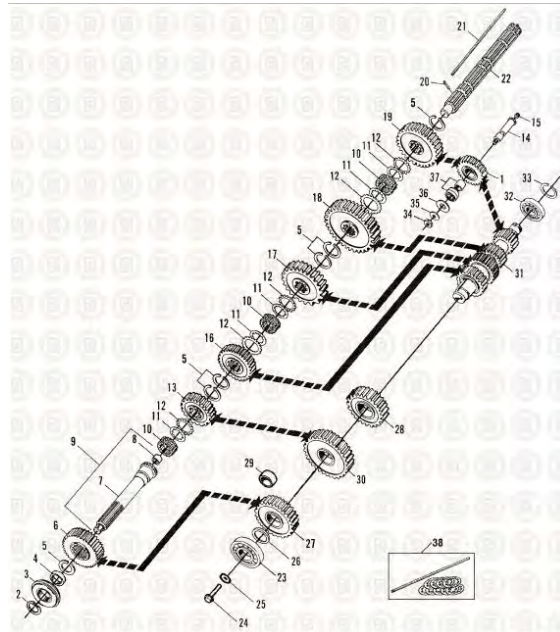
KEY	OEM REF.	DESCRIPTION
5	FULK-1783	KIT, Gasket (Incl: (1)EF64510-001 (1)EF64510-002 (1)EF64510-003 (2)EF64510-004, (1)EF64510-005 (1)EF64510-006 (1)EF64510-007 (1)EF64510-008 (1)EF64510-009 (1)EF64510-010 (1)EF64510-011 (1)EF64510-012 (1)EF64510-013 (1)EF64510-014 (1)EF64510-015 (1)EF64510-016 (1)EF64510-017 (1)EF64510-018 (1)EF64510-019)



FULLER TRANSMISSIONS – RTLO 16618 – MAIN CASE COMPONENTS

KEY	OEM REF.	DESCRIPTION
1	FUL16757	GEAR, Reverse Idler
2	FUL16980	RING, Retaining
3	MAK3088-81504	BEARING
4	FUL16463	SPACER
5	FUL14750	RING, Retaining
6	FUL21019	GEAR (RTOO)
6	FUL20458	GEAR (RTLO)
6	FUL22961	GEAR (RTOO) (Back Taper Clutch Teeth)
6	FUL22961	GEAR (RTOO) (Back Taper Clutch Teeth)
7	FUL20535	PINION (2in Pull) (Use EF67490)
7	FULS-1660	PINION (2in Push)
8	FUL16566	BUSHING
9	FULS-1659	ASSEMBLY, Pinion
10	FUL16118	CLUTCH, Sliding (Use w/ 16465)
11	FUL4300830	WASHER (.224in thk) (Use w/ EF26780 Key)
11	FUL4300382	WASHER (.249in thk) (Use w/ EF26780 Key)
11	FUL4300383	WASHER (.254in thk) (Use w/ EF26780 Key)
11	FUL4300384	WASHER (.259in thk) (Use w/ EF26780 Key)
11	FUL4300385	WASHER (.264in thk) (Use w/ EF26780 Key)
11	FUL4300386	WASHER (.269in thk) (Use w/ EF26780 Key)
11	FUL4300387	WASHER (.274in thk) (Use w/ EF26780 Key)
11	FUL14711	SPACER (.249in thk) (Use w/ Hex Key, 17109)
11	FUL14712	SPACER (.254in thk) (Use w/ Hex Key, 17109)

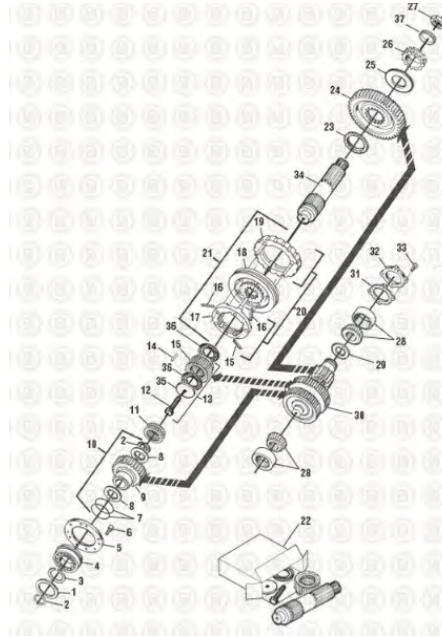
Continued



**FULLER TRANSMISSIONS – RTLO 16618 –
 MAIN CASE COMPONENTS**

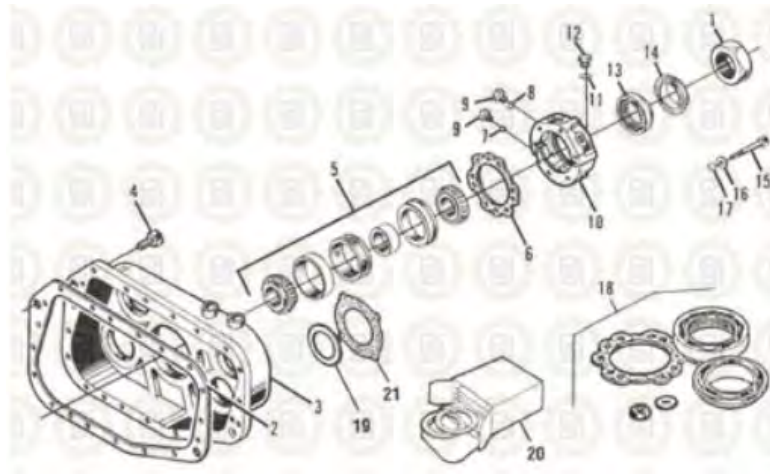
Continued

KEY	OEM REF.	DESCRIPTION	KEY	OEM REF.	DESCRIPTION
11	FUL14713	SPACER (.259in thk) (Use w/ Hex Key, 17109)	31	FULA-6689	COUNTERSHAFT Assembly (RTLO)
11	FUL14714	SPACER (.264in thk) (Use w/ Hex Key, 17109)	32	FUL11888	BEARING (2 pc bearing assembly)
11	FUL14715	SPACER (.269in thk) (Use w/ Hex Key, 17109)	32	MAK67AX224	BEARING
11	FUL14716	SPACER (.274in thk) (Use w/ Hex Key, 17109)	33	MAK97AX181	RING, Retaining
12	FUL14749	SPACER	34	MAK21AX360	NUT
13	FUL21587	GEAR (3rd)	35	FUL14283	WASHER, Idler
14	FUL16405	SHAFT	36	FUL4302982	WASHER
15	FUL5202	PLUG	37	MAK3088-14287	BEARING
16	FUL21589	GEAR (2nd)	38	FULK-2366	KIT, Key and Washer (Incl: (1)EF26780 (5)EF10570-249 (2)EF10570-254 (1)EF10570-259)
17	FUL21591	GEAR (1st)			
18	FUL4300654	GEAR, Low (RTLO)			
19	FUL16756	GEAR, Reverse			
20	FUL62504	PIN			
21	FUL4304614	KEY (3 Sided)			
22	FULS-1561	KIT, Mainshaft (RTLO) (Incl: EF51270 EF26780)			
23	MAK3088-19551	BEARING			
24	MAK419GC113B	SCREW			
25	FUL19548	RETAINER			
26	FUL19198	RING, Retaining			
27	FUL21586	GEAR (RTLO)			
28	FUL15953	GEAR, PTO (Left)			
28	FUL15952	GEAR (Right)			
29	FUL16390	SPACER (PTO Gear Replacement)			
30	FUL21588	GEAR (RTLO) (3rd)			



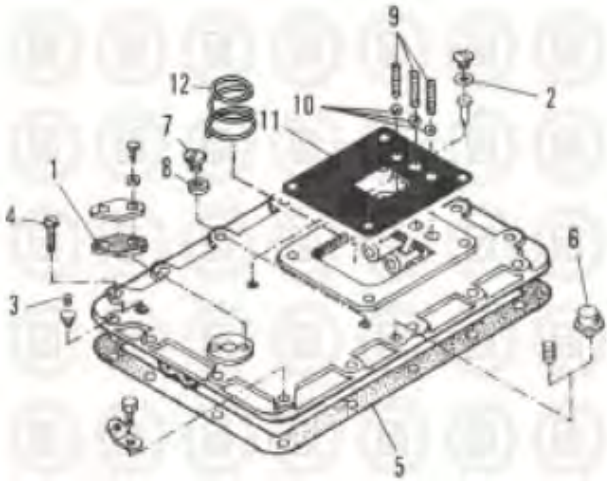
**FULLER TRANSMISSIONS – RTLO 16618 –
AUXILIARY COMPONENTS**

KEY	OEM REF.	DESCRIPTION	KEY	OEM REF.	DESCRIPTION
1	FUL21320	RETAINER	22	FULK-2795	KIT, Auxiliary Mainshaft Includes Mainshaft (1)900152 Gear (1)900058 Bearings (2)EF64610 Retainer (1)EF30880 Screw (1)ESC-1610
2	FUL16763	RING, Retaining	23	FUL19203	SPACER
3	FUL16628	RING, Retaining	24	FUL21918	GEAR
4	MAK46AX517	BEARING	25	FUL16772	WASHER
5	FUL16138	RETAINER, Bearing	26	FUL16295	SPACER
6	MAK6AX1359X	SCREW (3/8in-16 x 1in)	27	FUL11956	NUT
7	FUL17453	O-RING	27	FUL22254	NUT
8	FUL21599	WASHER	28	MAK3088-4302074	SET, Bearing (Cup and Cone)
9	FUL4303558	GEAR (Use K-3189)	29	FUL4300184	SPACER
10	FULK-3189	KIT, Auxiliary Drive Gear	30	FULA-5899	COUNTERSHAFT
11	FUL21930	CLUTCH, Sliding	31	FUL4300186	GASKET
12	MAK419GC113B	SCREW (5/8in-18 x 1-3/4in)	32	FUL4300185	COVER
13	FULK-2796	KIT, Retainer Replacement Includes Screw (1)ESC-1610 Bearing (1)EF64610 Retainer (1)EF30880 Gear (1)900058	33	MAK6AX1308X	SCREW (3/8in-16 x 1-1/4in)
14	MAK31AX532	PIN	34	FUL4302059	MAINSHAFT, Auxiliary (Current)
15	FUL21931	GEAR	35	FULA-6340	RETAINER
15	FUL4302376	GEAR, Auxiliary Mainshaft	36	FUL4302058	BEARING, Thrust
16	FUL14897	SPRING	37	FUL20191	GEAR, Speedo
17	FULA-5917	SYNCHRONIZER, High (Use EF25280)			
18	FUL20323	CLUTCH, Sliding			
19	FULA-4937	SYNCHRONIZER, Low (Use EF25280)			
20	FULK-2446	KIT, Synchronizer (Big Pin) (K-1946 Type) (Incl: Hi & Lo Rings & Springs)			
21	FULK-2448	KIT, Synchronizer (Big Pin) (K-1948 Type) (Incl: (1)EF25280 (1)EF25980)			



**FULLER TRANSMISSIONS – RTLO 16618 –
AUXILIARY HOUSING COMPONENTS**

KEY	OEM REF.	DESCRIPTION	KEY	OEM REF.	DESCRIPTION
1	FUL11956	NUT	19	FUL21456	SHIM
1	FUL22254	NUT, Flanged	19	FUL21457	SHIM
2	FUL14335	GASKET	19	FUL21458	SHIM
3	FUL4300181	HOUSING, Rear	19	FUL21459	SHIM
4	FULX-8L-604	SCREW (3/8in-16 x 2in)	19	FUL21460	SHIM
4	MAK6AX1308X	SCREW (3/8in-16 x 1-1/4in)	19	FUL21461	SHIM
4	MAC6AX1309X	SCREW (3/8in-16 x 1-1/2in)	19	FUL21684	SHIM
5	MAK3088-15260	KIT, Bearing	19	FUL21685	SHIM
6	FUL15532	GASKET, Rear Bearing Cover	19	FUL23151	GAUGE
7	MAK153KB15	BUSHING	20	FULK-2805	KIT, Shim (Incl: (1)EF72550-033 (1)EF72550-036 (1)EF72550-039 (2)EF72550-042 (2)EF72550-045 (2)EF72550-048 (2)EF72550-051 (2)EF72550-054 (1)EF72550-057 (1)EF72550-060 (1)EF72550-063 (1)EF72550-066 (1)EF72550-069 (1)EF72550-100)
8	MAK56AX533	O-RING	21	FUL4300186	GASKET, Countershaft Cover
9	FUL20226	PLUG			
10	FULS-1558	COVER, Rear Bearing			
10	FULS-1560	COVER, Rear Bearing (External C/S PTO)			
11	CAT6J2245	O-RING			
12	FUL20224	PLUG			
13	FUL20807	SEAL, Oil			
14	FUL20808	SLINGER			
15	FULS-8-611	SCREW (3/8in-16 x 3-1/4in)			
16	FUL17106	WASHER			
17	FUL19709	COLLAR			
18	FULK-2262	KIT, Seal, Oil (Incl: (1)EF24430 (1)EF30270 (1)EF64510-015 (1)EF64520-002 (1)EF69580 (1)EF69590)			
19	FUL4302345	SHIM			
19	FUL21452	SHIM			
19	FUL21453	SHIM			
19	FUL21454	SHIM			
19	FUL21455	SHIM			



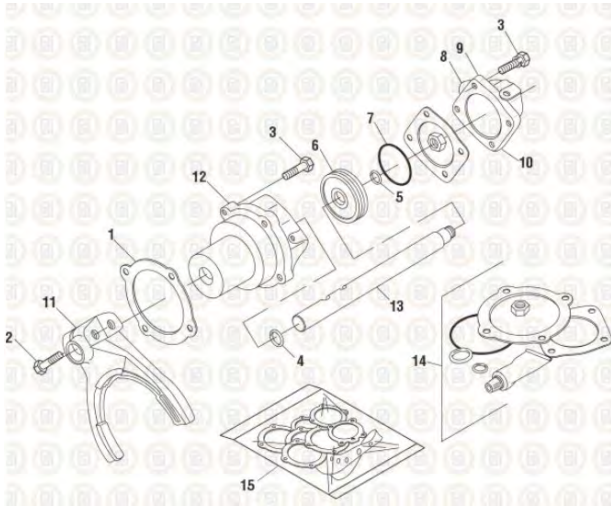
**FULLER TRANSMISSIONS – RTLO 16618 –
COVER COMPONENTS**

KEY	OEM REF.	DESCRIPTION
1	FUL20209	GASKET
2	FUL15900	GASKET
3	MAK49AX233	PLUG
4	MAK6AX1308X	SCREW (3/8in-16 x 1-1/4in)
4	MAK6AX1309X	SCREW (3/8in-16 x 1-1/2in)
5	FUL14918	GASKET
6	FUL4304602	BREATHER
7	MAK49AX224	PLUG, Magnetic
8	FUL17179	GASKET
9	FUL15918	SPRING
10	MAK48AX17	BALL
11	FUL19870	GASKET
12	FUL2536	SPRING, Shift Lever



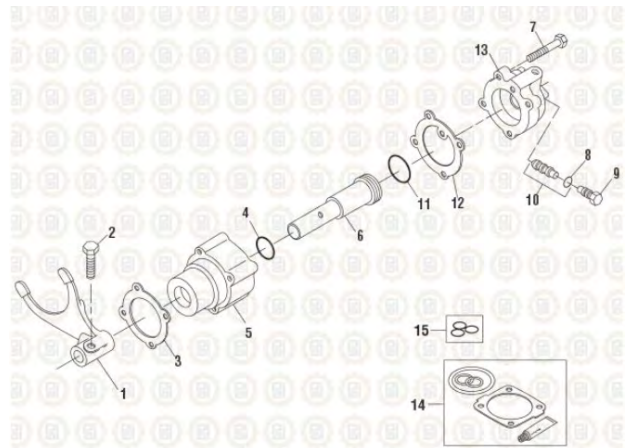
**FULLER TRANSMISSIONS – RTLO 16618 –
SHIFTER COMPONENTS**

KEY	OEM REF.	DESCRIPTION
1	FUL8968	PLUG
2	FUL6392	SPRING
3	FUL10019	PLUNGER
4	FUL3220	SCREW, Lock
5	FUL16338	FORK, Low Reverse (RTLOF)
6	FUL14908	RAIL, Yoke,Reverse
7	FUL16135	FORK, Shift,2nd
8	FUL14910	RAIL, Yoke,2nd
9	MAK48AX12	BALL (3/4in Dia.)
10	FUL1634	PIN
11	FUL22942	SHIFTER Block,2nd
12	FUL16136	FORK, Shift, Direct
13	FUL14909	RAIL, Yoke, Direct
14	FUL14912	SHIFTER Block, Direct



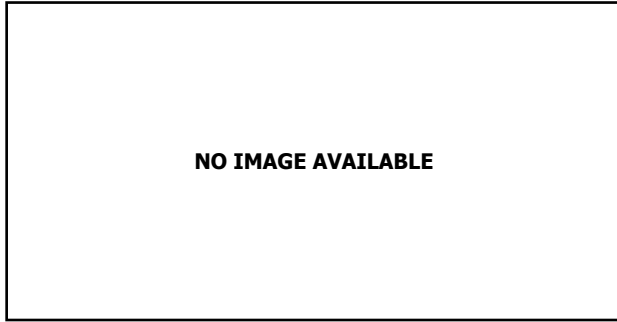
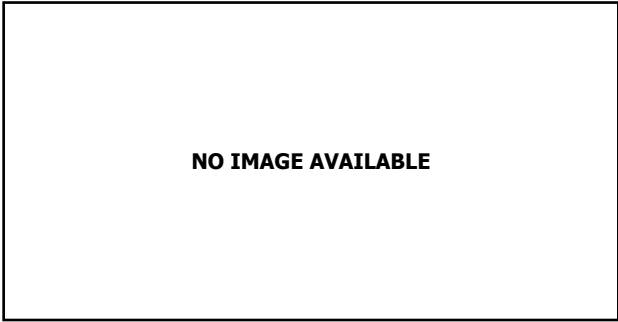
**FULLER TRANSMISSIONS – RTLO 16618 –
RANGE CYLINDER COMPONENTS**

KEY	OEM REF.	DESCRIPTION
1	FUL14347	GASKET
2	FULX-7-810	SCREW
3	MAK6AX1308X	SCREW (3/8in-16 x 1-1/4in)
4	FUL14765	O-RING
5	MAK446GC1131	O-RING
6	FUL14341	PISTON
7	FUL14344	O-RING
8	FUL14349	GASKET, Auxiliary Cylinder Cover
9	FUL19690	COVER, Cylinder Range
10	ROKNL-110-1	NUT, Locking (5/8in-18)
10	MAK20AX7	NUT (5/8in-18)
11	FUL22823	FORK, Shift
12	FUL16778	CYLINDER, Range
13	FUL4300183	RAIL, Yoke
14	FULK-2002	KIT, O-Ring, Range (RTLO 16618) (Incl: (1)EF30190 (1)EF30260 (1)EF39760 (1)EF64510-013)
14	FULK-1450	KIT, O-Ring, Range Cylinder (Incl: (1)GSL-0383 (1)EGA-0430 (1)ER01960 (1)EF30150 (1)EF30170 (1)EF64510-005 (1)EF64510-014)
15	FULK-1603	KIT, Gasket (Incl: (1)EF30270 (2)EF64510-004 (1)EF64510-005 (1)EF64510-006 (1)EF64510-013 (1)64510-014 (1)EF64510-015 (1)EF64510-019 (2)EF64530-001)



**FULLER TRANSMISSIONS – RTLO 16618 –
INTERMEDIATE CYLINDER COMPONENTS**

KEY	OEM REF.	DESCRIPTION
1	FUL21607	FORK, Shift
2	FUL3220	SCREW, Lock
3	FUL14632	GASKET
4	FUL21208	O-RING
5	FUL21609	CYLINDER, Intermediate
6	FUL4300182	RAIL, Yoke & Piston
7	FULX-8-540	SCREW (5/16in-18 x 1-7/8in)
8	FUL13653	O-RING
9	FUL4301233	ADAPTER
10	FUL19974	VALVE, Insert
11	FUL21209	O-RING
12	FUL17073	GASKET
13	FUL21760	COVER (RTLO 14613)
14	FULK-2078	KIT, O-Ring, Intermediate Cylinder (Incl: (1)GSL-0383 (1)EF30190 (1)EF30260 (1)EF64510-013)
15	FULK-1457	KIT, O-Ring, Insert Valve (Incl: (3)EF30130)

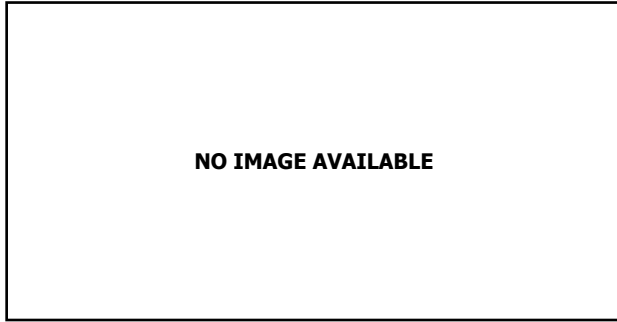
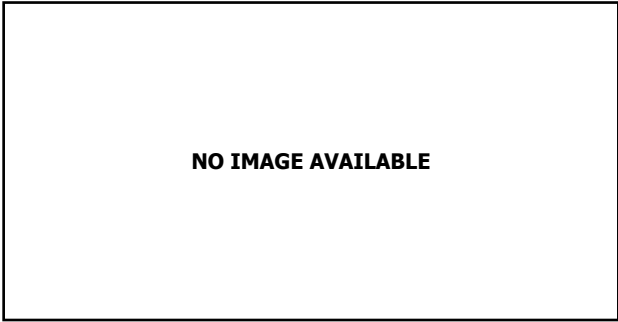


**FULLER TRANSMISSIONS – MISCELLANEOUS MODELS –
 MODELS RT 610, 613/RTO 610/RT6610**

KEY	OEM REF.	DESCRIPTION
1	FUL16230	GEAR, Mainshaft (RT 610/613)
1	FUL16230	GEAR, Mainshaft (RT 610/613)
1	FUL18440	GEAR, Mainshaft, 4th (RT 610)
1	FUL18449	GEAR, Mainshaft, O.D. (RT 610)
1	FUL16229	GEAR, Mainshaft (RT 610/613)
1	FUL16228	GEAR, Mainshaft (RT 610/613)
2	FUL16246	GEAR, Auxiliary, Mainshaft (RT 610)
2	FUL19208	GEAR, Auxiliary, Mainshaft (RT 6610)
3	FUL18667	GEAR, Auxiliary Drive (RT 610)
3	FUL16236	GEAR, Auxiliary Drive (RT 610)
3	FUL19305	GEAR, Auxiliary Drive (RT 6610/RTO 6610)
4	FUL18448	GEAR, Maindrive (RTO 610)
5	FUL18438	GEAR, Pinion, Maindrive (RT 610)
5	FUL15972	GEAR, Pinion, Maindrive (RT 610/613)
6	FUL15974	CLUTCH, Sliding (RT 610/613)
7	FULK-1670	KIT, Gear (Helix) (RT 610/613)
8	FUL18666	MAINSHAFT, Auxiliary (RT 6610)
9	FUL16020	SEAL, Oil Front Cover (1-1/2in) (510/610/613)
10	FUL16241	CLUTCH, Sliding, Synchronizer (RT 610)
11	MAK67AX242	BEARING, Countershaft (RT 610)
12	FUL18665	MAINSHAFT (RT 610/6610)
13	FUL16252	GEAR, 3rd Countershaft
14	FULK-2444	KIT, Synchronizer (RT 610/6610) Includes Synchronizer Assemblies (1)900128 (1)900129 Springs (3)EF25380
15	FULK-2003	KIT, Lever Bushing (RT 6610)
16	FULK-1958	KIT, O-Ring (RT, RTO 6610) Includes O-Rings (1)321255 (1)321339 Lubricant (1)GSL-0383
17	FULA-6112	ASSEMBLY, Synchronizer (Hi Range) (RT 6610)
17	FULA-6114	ASSEMBLY, Synchronizer (Lo Range) (RT 6610)

**FULLER TRANSMISSIONS – MISCELLANEOUS MODELS –
 MODELS RT 906, 910, 915/RTO 910, 915**

KEY	OEM REF.	DESCRIPTION
1	FUL16002	GEAR, Mainshaft (RTO 910/915)
2	FUL14303	GEAR, Countershaft, O.D. (RTO 910/915)
2	FUL16003	GEAR, Countershaft (RTO 910/915)
3	FUL14320	MAINSHAFT, Auxiliary (RT 906/910)
4	FUL14660	PINION, Input (1-3/4in Push) (RT 906/910/915)
5	FUL20022	GEAR, Mainshaft, Auxiliary (RT 915)
6	FUL16519	GEAR, Auxiliary, Lo (RT 915)
7	FULA-4520	ASSEMBLY, Countershaft (RT 915)
8	FULA-4128	COUNTERSHAFT Assembly, Auxiliary (RT 910)
9	FULS-1661	ASSEMBLY, Input Pinion (RT910)



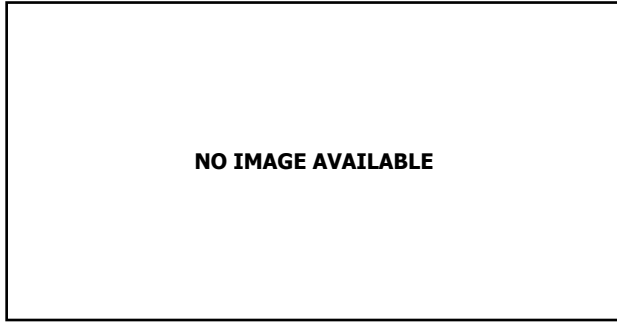
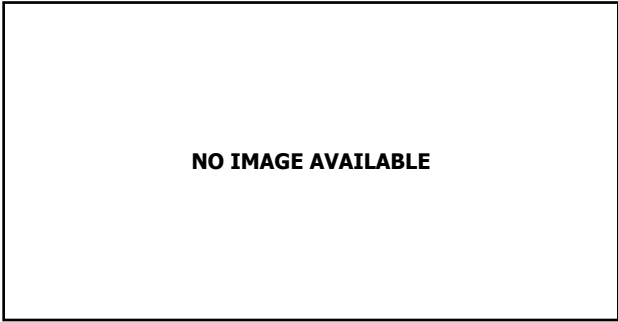
**FULLER TRANSMISSIONS – MISCELLANEOUS MODELS –
MODELS RT/RTLO 1157, 13707, 11607, 11707**

KEY	OEM REF.	DESCRIPTION
1	FUL4300290	GEAR, Mainshaft (RT 13707 DLL)
2	FUL20085	RING, Retaining (RT 11607L/LL & RTLO 11707LL)
3	FUL21352	BUSHING, Auxiliary Mainshaft (RT 11607LL)
4	FUL21354	WASHER (RT 11707/13707)
5	FUL4300297	GEAR, OD Mainshaft (RTO 13707)
6	FUL19202	MAINSHAFT, Auxiliary (RTO/RTOF 11607L)
7	FUL4301320	PISTON, Range (RTO 11707LL)
8	FULK-2427	KIT, Range Cylinder (RTO 110707LL/13707MLL) Includes Piston Range (1)900406 Gasket (1)EF64520-004 O-Ring (1)EGA-3174

**FULLER TRANSMISSIONS – MISCELLANEOUS MODELS –
MODELS RT 1258LL, 7608, 8608, 11608, 11708, 14608,
14708, 16908**

KEY	OEM REF.	DESCRIPTION
1	FUL15959	CLUTCH, Sliding (RT/RTO 11608)
2	FULK-1848	KIT, Auxiliary Drive Gear (RT 1258LL)
2	FULK-2311	KIT, Auxiliary Drive Gear (RT 8608) Includes Gear (1)EF64150 O-Rings (2)EF30180 Retainer (1)EF10880
3	FUL22028	GEAR, Maindrive (RTO 11608LL/14608LL)
3	FUL21671	GEAR, Maindrive (RT 7608LL)
4	FULK-1800	KIT, Small Parts (RT 14608) Includes Washer (1)EF10780 Spacers (1)EF10790 (3)EF10830-249 (1)EF10830-254 (1)EF10830-259 (3)EF10860 Springs (3)EF16610 (3)EF25380 Rings (3)EF27410 (1)EF27420 (2)EF27550 (1)EF27830 (2)GRI-2706 Pin (1)EF51060 Balls (3)GDB-1665
4	FULK-1799	KIT, Small Parts (RT 11608LL) Includes Pin (1)EF51060 Rings (1)EF27520 (1)EF27480 (1)EF27420 (2)EF27540 (2)EF27550 (3)EF27410 (2)GRI-2706 Washers (1)EF60060 (1)EF60090 (1)EF60080 Balls (3)GDB-1665 Spacers (1)EF10830-254 (1)EF10830-259 (3)EF10830-249 (3)EF10860
5	FUL206147	MAINSHAFT (RT 7608LL)
6	FUL4303360	GEAR, Auxiliary Mainshaft (RT 16908LL)
6	FUL21319	GEAR, Auxiliary Mainshaft (RT 14708LL)
7	FUL16517	FORK, Shift (RT 11608LL)
8	FUL4305294	GASKET (RTO 14708LL)
9	FULK-3500	ASSEMBLY, Countershaft, Auxiliary
10	FUL4300466	GEAR, Auxiliary Drive (RT 8608)
11	FULA-4989	ASSEMBLY, Key & Pin
12	FUL20628	RING, Retaining
13	FUL20576	GEAR, Countershaft Maindrive (RT 7608LL)

Continued



**FULLER TRANSMISSIONS – MISCELLANEOUS MODELS –
MODELS RT 1258LL, 7608, 8608, 11608, 11708, 14608,
14708, 16908**

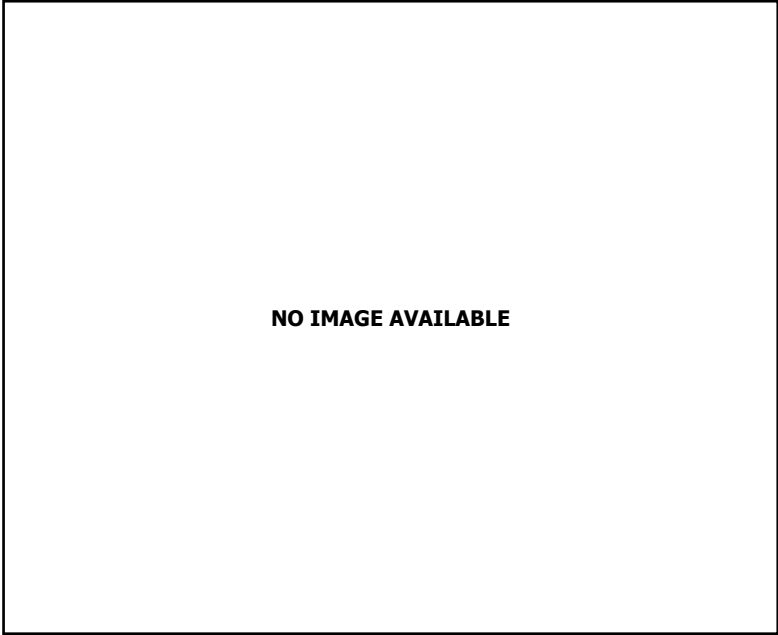
**FULLER TRANSMISSIONS – MISCELLANEOUS MODELS
– MODELS RT 6609, 8609, 9509, 11509, 11709, 12509,
12709, 13609, 14609, 14909, 16709, 16909**

Continued

KEY	OEM REF.	DESCRIPTION
14	FUL20794	GEAR, Mainshaft, Lo (RT 7608LL)
14	FUL22370	GEAR, Mainshaft, Lo (RT 7608LL)
15	FUL20597	GEAR, Mainshaft, Reverse (RT 7608LL)
16	FUL20617	WASHER, Thrust (.260in)
16	FUL20618	WASHER, Thrust (.264in)
16	FUL20619	WASHER, Thrust (.269in)
16	FUL20620	WASHER, Thrust (.274in)
16	FUL20621	WASHER, Thrust (.279in)
17	PKR169PMNS-5	FITTING, 90°Elbow (1/8in pipe to 5/32in line push lock)
18	FULA-6863	HOUSING, Splitter
19	FULK-3331	KIT, Splitter Valve (11608/14608) Includes Housing (1)900416 Fitting (1)840076 O-Rings (1)900323 (1)EF30130 (1) EF29080 Lubricant (1)GSL-0383
20	FUL19213	MAINSHAFT, Auxiliary (RT 7608LL, RTXF 11608LL)
20	FULA-4738	ASSEMBLY, Auxiliary Mainshaft (RT 7608LL, RTXF 11608LL) Includes Mainshaft (1)900155 Quill (1)EF63350 Pin (1)EF51260
21	FUL19063	SHIFTER Block (RTX 11608LL/14608B, RTX 14708LL, RTO 16908LL)
22	FUL20832	BEARING(RT 7608LL)
23	FUL4301320	PISTON, Range (RTX/RTXF 11708, RTX/RTXF 14708, RTO 14908)
24	FULK-2427	KIT, Range Cylinder (RTX/RTXF 11708, RTX/RTXF 14708, RTO 14908) Includes Range Piston (1)900406 Gasket (1)EF64520-004 O-Ring (1)EGA-3174
25	FUL4300894	RETAINER
26	FUL18926	BAR, Yoke
27	FUL84103	UNION, Tubing (Push/Lock 5/32 in Air Line)

KEY	OEM REFERENCE	DESCRIPTION
1	FUL16886	GEAR, Maindrive
1	FUL21671	GEAR, Maindrive (RT 7608LL, 8609)
1	FUL18518	GEAR, Maindrive (RTO 11509, RTXF 12509)
2	FUL4300247	GEAR, Countershaft (RT 16709)
2	FUL4300241	GEAR, Countershaft (RT 16709)
2	FUL16889	GEAR, Countershaft
2	FUL20583	GEAR, Countershaft (PTO) (RT 8609)
3	FUL4300240	GEAR, Mainshaft (RTLO 16709)
3	FUL16887	GEAR, Mainshaft
3	FUL16888	GEAR, Mainshaft
3	FUL4303476	GEAR, Mainshaft (RT 14609A)
4	FUL18725	GEAR, Auxiliary Drive
4	FUL4300466	GEAR, Auxiliary Drive (11609, 13609, 14609)
4	FUL21321	GEAR, Auxiliary Drive (RT 11709/12709)
4	FUL19305	GEAR, Auxiliary Drive (RT 6609/RT 8609)
5	FUL21499	GEAR
6	FUL22027	GEAR, Mainshaft (O.D.) (RTO 14609A, RTX 12609A)
6	FUL23102	GEAR, Mainshaft, O.D. (RT12709)
7	FULA-4723	COUNTERSHAFT, Auxiliary (RT 14609)
7	FULA-4728	ASSEMBLY, Countershaft (RTO 11109B, RTX/RTXF 14609B/R)
8	FUL4303477	GEAR, Mainshaft, 1st (RT 14609)
9	FUL4303409	GEAR, Mainshaft, Lo (RT 14609)
9	FUL20794	GEAR, Mainshaft, Lo (RT 8609)
9	FUL4300242	GEAR, Mainshaft, Lo (RTX/B/H 16709)
10	FUL4302384	GEAR, Mainshaft, 2nd (RT 14609)
11	FUL4302381	GEAR, Mainshaft, 3rd/O.D. (RT 14609)
11	FUL21672	GEAR, Mainshaft, 3rd
12	FULK-3156	KIT, Mainshaft Update (RT 14609)

Continued

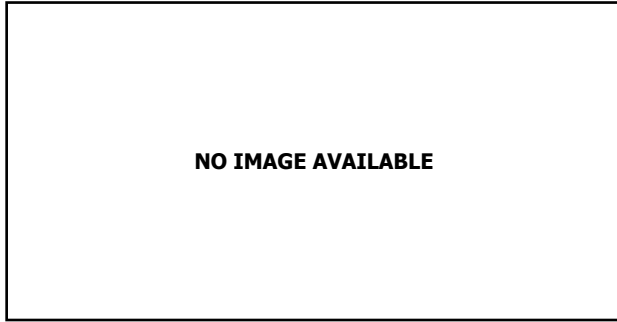
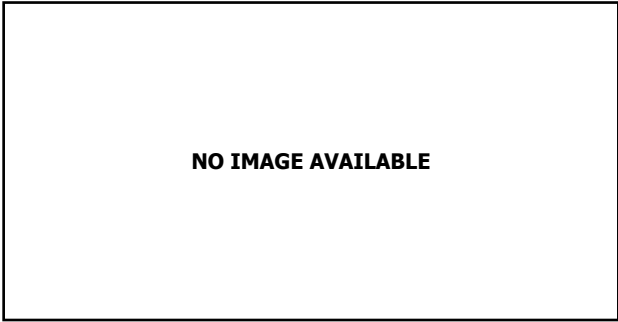


**FULLER TRANSMISSIONS – MISCELLANEOUS MODELS
– MODELS RT 6609, 8609, 9509, 11509, 11709, 12509,
12709, 13609, 14609, 14909, 16709, 16909**

Continued

KEY	OEM REFERENCE	DESCRIPTION	KEY	OEM REFERENCE	DESCRIPTION
12	FULK-2988	KIT, Mainshaft Update (RTX 14609B)	24	FULK-2444	KIT, Synchronizer (RT 6609, 8609) Includes Synchronizer Assemblies (1)900128 (1)900129 Springs (3)EF25380
13	FUL21352	BUSHING, Auxiliary Mainshaft (RTO 16909)	25	FUL20606	BEARING, Auxiliary Countershaft (RT 8609)
14	FULK-1800	KIT, Small Parts (RT 14609)	26	FUL15982	BEARING, Auxiliary Mainshaft (RT 8609)
14	FULK-2410	KIT, Small Parts (RT 12709A)	27	FULA-4989	ASSEMBLY, Key & Pin
15	FUL19467	GEAR, Auxiliary Mainshaft (RT 9509a/b)	28	FUL20628	RING, Retaining
15	FUL19667	GEAR, Auxiliary Mainshaft (RT 14609)	29	FUL20576	GEAR, Countershaft Maindrive (RT 8609)
15	FUL4300035	GEAR, Auxiliary Mainshaft (RTO/RTX 12709, 13709, 14709, 16709)	30	FUL20597	GEAR, Mainshaft, Reverse (RT 8609)
16	FUL20614	MAINSHAFT, Auxiliary (RT 8609)	30	FUL23653	GEAR, Mainshaft, Reverse (11709/12709)
16	FUL4300312	MAINSHAFT, Auxiliary (RTX 16709B)	31	FUL22899	WASHER, Thrust (.258in)
16	FUL19202	MAINSHAFT, Auxiliary (RTO 11109A, RTXF 14609B)	31	FUL20617	WASHER, Thrust (.260in)
16	FUL4303359	MAINSHAFT, Auxiliary (RTOF 16909 ALL)	31	FUL20618	WASHER, Thrust (.264in)
16	FUL4300904	MAINSHAFT, Auxiliary (RTOCF 16709A)	31	FUL20619	WASHER, Thrust (.269in)
17	FULK-2918	KIT, Seal (Rear) (RT 11909, 16909)	31	FUL20620	WASHER, Thrust (.274in)
18	FULK-2256	KIT, Seal (RT 14609)	31	FUL20621	WASHER, Thrust (.279in)
19	FUL21322	GEAR, Auxiliary Maindrive (RT 11709/12709)	31	FUL21347	WASHER, Thrust (RTO 1409MML)
20	FUL19203	SPACER (RT 14609)	32	FULK-1958	KIT, O-Ring (RT 6609, 8609) Includes O-Rings (1)321225 (1)321339 Lubricant (1)BSL-0383
20	FUL22898	SPACER (11709, 12709, 16709)	33	FUL19652	RAIL, Range Cylinder Shift (RT 14609, RTO 16109)
21	FULA-5156	ASSEMBLY, Mainshaft (RTO 16909)			
22	FUL16778	CYLINDER, Range			
23	FUL22915	CLUTCH, Sliding (RT 14109A)			

Continued



**FULLER TRANSMISSIONS – MISCELLANEOUS MODELS
– MODELS RT 6609, 8609, 9509, 11509, 11709, 12509,
12709, 13609, 14609, 14909, 16709, 16909**

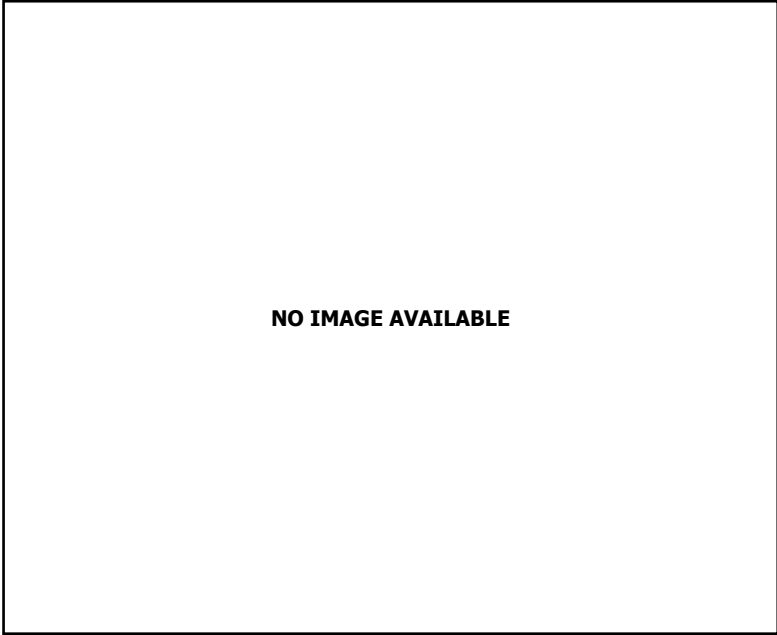
Continued

KEY	OEM REFERENCE	DESCRIPTION
34	FULA-6160	ASSEMBLY, Rail/Fork (RT 14609, RTO 16109) Includes Rail (1)900395 fork (1)EF06470 Screws (2)BSC-0004
35	FULK-2958	COUNTERSHAFT (RT 11709, 12709 /RTXF 11709, 12709, 13709, 14709, 16709)
36	FULS-2928	PINION, Input (1-3/4in) (RT 8709)
37	FULA-5474	ASSEMBLY, Yoke (16709)
38	FULA-6112	ASSEMBLY, Synchronizer (Hi Range) (RT 8609)
39	FULA-6114	ASSEMBLY, Synchronizer (Lo Range) (RT 8609)
40	FULK-3367	KIT, Oil Pump (RT/RTO 11613) Includes Oil Pump assembly (1)900254 Plug (1)900258 Bolt kit (1)900440 Tube (1)900257
41	FUL17332	PIN, Dowel
42	FUL20832	BEARING, Countershaft (RT 8609)
43	FUL4303774	GEAR, Oil Pump (RT/RTO 11613)
44	FULA-5160	ASSEMBLY, Reduction Yoke (RTO 14909MML)
45	FUL4301320	PISTON, Range (RTO 14909)
46	FULK-2427	KIT, Range Cylinder (RTOF 11709, 14709, 16909, RTO 14909) Includes Range Piston (1)900406 Gasket (1)EF64520-004 O-Ring (1)EGA-3174
47	FULK-2311	KIT, Auxiliary Drive Gear (11609, 13609, 14609) Includes Gear (1)EF64150 O-Rings (2)EF30180 Retainer (1)EF10880

**FULLER TRANSMISSIONS – MISCELLANEOUS MODELS
– MODELS RT/RTO/RTLO 11610, 12610, 14610, 14710,
15610, 16710/RTF 1110**

KEY	OEM REFERENCE	DESCRIPTION
1	FUL22027	GEAR, Mainshaft (O.D.) (RTAO 16710B)
1	FUL20377	GEAR, Mainshaft, 4th (RT 14610)
1	FUL20379	GEAR, Mainshaft, 3rd (RT 14610)
1	FUL20381	GEAR, Mainshaft, 2nd (RT 14610)
1	FUL20383	GEAR, Mainshaft, 1st (RT 14610)
1	FUL4303428	GEAR, Mainshaft, 2nd (RTXF 15710)
1	FUL4303969	GEAR, Mainshaft, 3rd (RTLO 11610B)
1	FUL4301220	GEAR, Mainshaft (RTXF 13710C)
1	FUL4300858	GEAR, Mainshaft, 1st (11710, 12710, 13710, 14710, 15710, 16710)
1	FUL4303620	GEAR, Mainshaft, 1st (RTX 16710B)
1	FUL4301396	GEAR, Mainshaft, Lo (11610, 13710, 15610, 17610, 18610)
2	FUL20380	GEAR, Countershaft, 3rd (RT 14610)
2	FUL20382	GEAR, Countershaft, 2nd (RT 14610)
3	FUL19277	GEAR, Auxiliary, Mainshaft (RT14610)
3	FUL4300124	GEAR, Auxiliary Mainshaft (RTLO 14610A)
3	FUL4302376	GEAR, Auxiliary Mainshaft (RTLO 14610A)
3	FUL4302090	GEAR, Auxiliary Mainshaft (RT 11710, 12710, 13710, 15710, 16710)
3	FUL4301400	GEAR, Auxiliary Mainshaft (RTLO-14610B/15610B, RTLOF-14610B/15610B)
3	FUL4302092	GEAR, Auxiliary Mainshaft, Reduction (14710, 16710)
4	FUL20460	GEAR, Pinion, Maindrive (RTO 14610)
5	FUL4300810	VALVE, Insert (RTLO 14610A)
6	FUL4300466	GEAR, Auxiliary Drive (11610, 12610, 14610)
6	FUL17894	GEAR, Auxiliary Drive (RTF 1110)

Continued

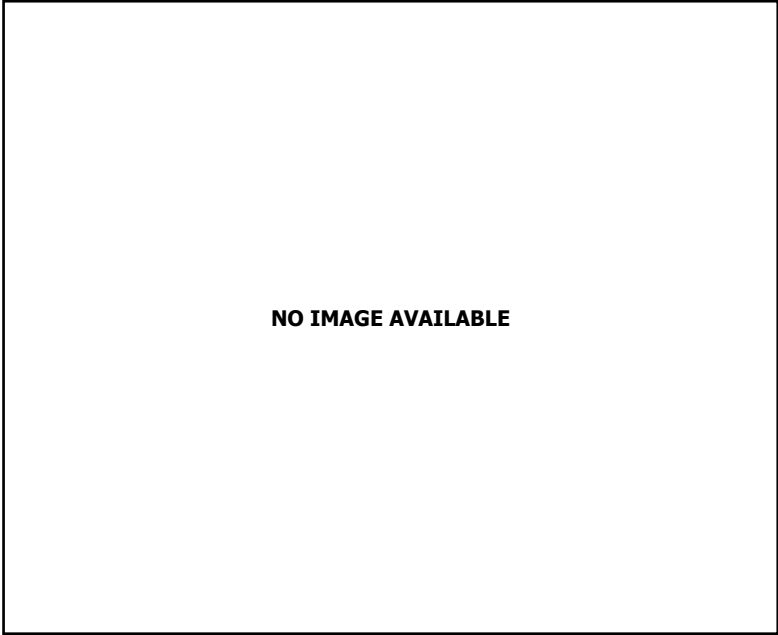


**FULLER TRANSMISSIONS – MISCELLANEOUS MODELS
– MODELS RT/RTO/RTLO 11610, 12610, 14610, 14710,
15610, 16710/RTF 1110**

Continued

KEY	OEM REFERENCE	DESCRIPTION	KEY	OEM REFERENCE	DESCRIPTION
6	FUL21321	GEAR, Auxiliary Drive (RTO 14710)*	13	FUL4305052	GEAR, Countershaft (O.D.) (RT 16710B)
7	FULK-2295	KIT, Gasket (RTLO 14610) Includes Gaskets (1)EF64510-003 (2)EF64510-004 (1)EF64510-005 (1)EF64510-006 (1)EF64510-009 (1)EF64510-010 (1)EF64510-012 (1)EF64510-013 (1)EF64510-014 (1)EF64510-015 (1)EF64510-017 (1)EF64510-018 (1)EF64510-019 (2)EF64530-001 Washers (1)EF24430 Collar (1)EF30270 O-Rings (1)EF30750	14	FUL4302695	GEAR, Mainshaft Splitter (RT 16710B)
7	FULK-2327	KIT, Gasket (RT 14710/11710)	15	FULA-6387	COUNTERSHAFT, Auxiliary (RTLO 14610B)
8	FUL20462	COUNTERSHAFT (RT 14610)	15	FULA-6338	COUNTERSHAFT, Auxiliary Assembly
8	FUL4303621	COUNTERSHAFT (RTX 16710B)	16	FUL5568539	O-RING, Range Cylinder
8	FULK-2960	COUNTERSHAFT (11710, 14710, 16710)	17	FULK-1800	KIT, Small Parts (RT 14610)
8	FUL4303962	GEAR, Countershaft (RTLO 11610B)	18	FULK-2640	KIT, Auxiliary Drive Gear (RTLO 14610B)
9	FULK-3243	KIT, Countershaft Update (RTLO 11610B) Includes Gear (1)900087 Spacer (1)900088 Key (1)EF26520	18	FULK-2311	KIT, Auxiliary Drive Gear (11609, 13609, 14609) Includes Gear (1)EF64150 O-Rings (2)EF30180 Retainer (1)EF10880
9	FULK-1926	KIT, Countershaft (RTOF 14610)	19	FUL4305997	CLUTCH, Sliding, 1st/2nd (RTO 10910B)
10	FUL19203	SPACER (RT 14610)	19	FUL4305996	CLUTCH, Sliding (RTO 10910B)
10	FUL4303964	SPACER, Countershaft (RTLO 11610B)	19	FUL22915	CLUTCH, Sliding (RTLO 14610A)
10	FUL22898	SPACER (14710, 16710)	20	MAK3088-21356	SET, Bearing, Rear Mainshaft (RT 14710)
11	FUL4300247	GEAR, Countershaft (RTA 16710C)	21	FUL18922	FORK, Shift, 1st/2nd (RT 11710/14710)
11	FUL21586	GEAR, Countershaft (RT 16710C)	22	FULK-2298	KIT, O-Ring, Air Cylinder (RTL/RTLO) Includes O-Ring Kit (1)EF39690 O-Rings (1)EF30130 (1)EF29180 (1)EF29080 (1)EF29190 Gaskets (1)EF64510-006 (1)900341
11	FUL20461	GEAR, Countershaft (RT 14610)	23	FUL4303432	GASKET, Shift Tower
12	FUL22025	GEAR, Maindrive (RTO 14610)	24	FUL22826	GASKET, Range Cover

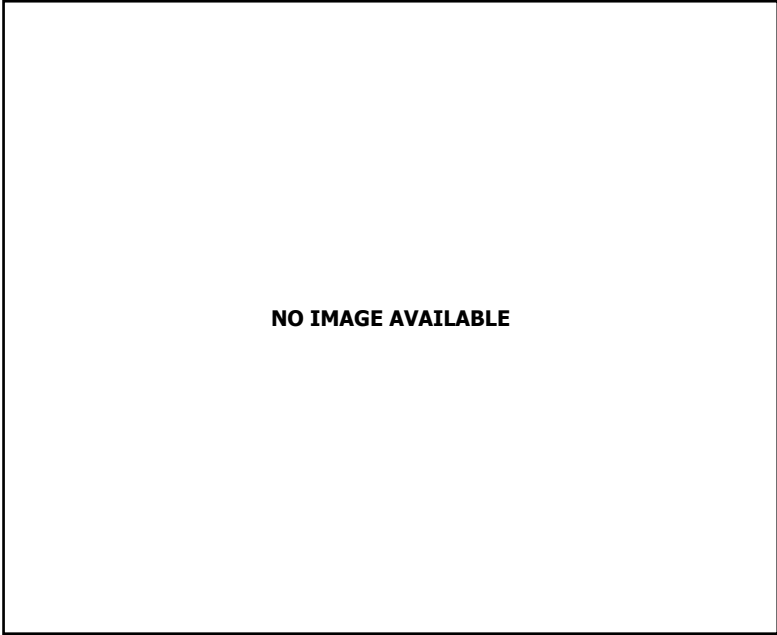
Continued



**FULLER TRANSMISSIONS – MISCELLANEOUS MODELS
 – MODELS RT/RTO/RTLO 11610, 12610, 14610, 14710,
 15610, 16710/RTF 1110**

Continued

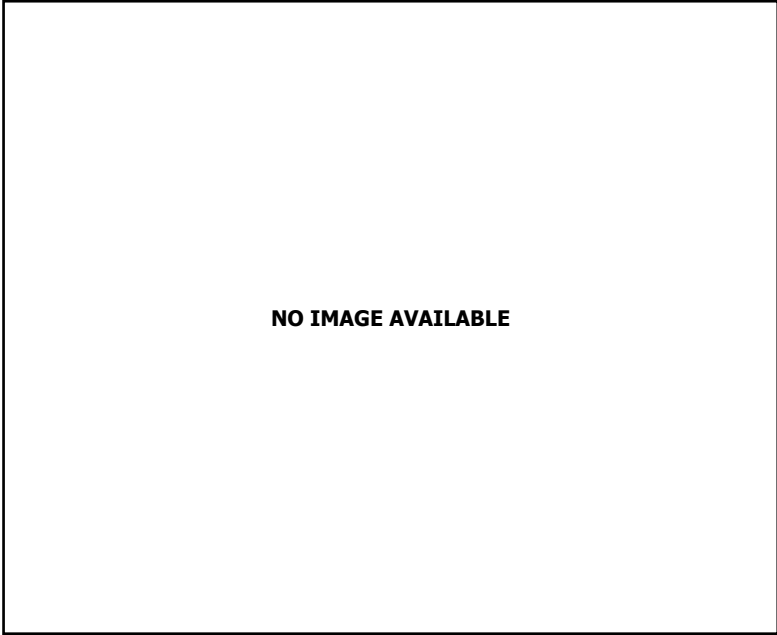
KEY	OEM REFERENCE	DESCRIPTION	KEY	OEM REFERENCE	DESCRIPTION
25	FUL4302864	GASKET, Pump Cover (RT 14210C)	34	FULK-2796	KIT, Retainer Includes Mainshaft (1)900058 Bearing (1)EF64610 Retainer (1)EF30880 Screw (1)EF16100
26	FUL5568534	O-RING, Splitter Cylinder	35	FUL4303968	KEY, Countershaft (RT 11610)
27	FUL4302683	GEAR, Auxiliary Maindrive (RTLO 14610A)	36	FULS-2130	HOUSING, Shift Tower Lever (High)
27	FULK-2867	KIT, Auxiliary Maindrive Gear (RTLO 14610A) Includes Gear (1)900139 O-Rings (2)EF30180 Retainer (1)EF10880	37	FULK-2446	KIT, Synchronizer (Big Pin) (w/o Clutch) (14610A) (K-1946 type) Includes Hi & Lo Rings and Springs
28	FUL4300312	MAINSHAFT, Auxiliary (RTX/RT 14710B, 15710B/C, 16709B/C)	37	FULK-3496	KIT, Synchronizer (Big Pin) (w/ Clutch) (14610A) Includes Synchronizer kit (1)EF25280 Sliding Clutch (1)900124
28	FUL4302059	MAINSHAFT, Auxiliary	38	FULK-3334	KIT, Range Cylinder Repair (11610, 13610, 13710, 15610, 16610, 17610, 18610) Includes O-Rings (1)EF29180 (2)EF30750 (1)EF29190 Fitting (1)840076 Lubricant (1)GSL-0383 Cover (1)
28	FUL19202	MAINSHAFT, Auxiliary (RTXF 14610)	39	FUL18926	BAR, Yoke
28	FUL4300904	MAINSHAFT, Auxiliary (RTL 14710B)			
29	FUL23653	GEAR, Mainshaft Reverse (10710, 12710,14710,16710)			
29	FUL4301222	GEAR, Mainshaft Reverse (11710, 12710, 13710, 14710, 15710, 16710)			
30	FUL19652	RAIL, Range Cylinder Shift (RT 14610)			
31	FULA-6160	ASSEMBLY, Rail/Fork (RT 14610) Includes Rail (1)900395 Fork (1)EF06470 Screws (2)BSC-0004			
32	FUL22899	WASHER, Thrust (.258in)			
33	FULK-2795	KIT, Mainshaft (RTLO 14610A) Includes Mainshaft (1)900152 Bearings (2)EF64610 Gear (1)900058 Retainer (1)EF30880 Screw (1)EF16100			



**FULLER TRANSMISSIONS – MISCELLANEOUS MODELS –
 MODEL RT 11613, 12713, 12913, 14713, 14913, 16713,
 16913, 18913, 20913**

KEY	OEM REFERENCE	DESCRIPTION	KEY	OEM REFERENCE	DESCRIPTION
1	FULK-2803	KIT, O- Ring, Splitter (RT 12713/14713) Includes O-Rings (1)EF30130 (1)EF30260 (1)EF30190 Gaskets (1)EF64510-006 (1)EF64510-013 Lubricant (1)GSL-0383 Nut (1)BNU-0192	7	FULK-2808	KIT, Auxiliary Drive Gear (RT 16713)
1	FULK-2804	KIT, O-Ring, Complete (RT 12713/14713) Includes O-Rings (1)EF30130 (1)EF30170 (1)EF30150 (1)EF30190 (1)EF30260 (1)EGA-0430 Gaskets (1)EF64510-005 (1)EF64510-014 (1)EF64510-013 (1)EF64510-006 Lubricant (1)GSL-0383 Nuts (1)BNU-0192 (1)EF01960	8	FULK-1959	KIT, Auxiliary Gear, Splitter (RT 11613)
2	FUL4300190	GEAR (RT 14713)	8	FULK-1960	KIT, Auxiliary Gear, Splitter (RT 11613)
2	FUL19221	GEAR, Auxiliary, Mainshaft (RT 11613)	9	FULS-2560	ASSEMBLY, Mainshaft (RTLO 18913A)
2	FUL4300940	GEAR, Auxiliary Mainshaft (RTLO 12713, 14713, 16713, 18913A)	10	FUL4302041	GEAR, Auxiliary Maindrive (RTLO 16713)
3	FUL4300907	CLUTCH, Auxiliary (RT 14713/16713)	10	FUL4304084	GEAR, Auxiliary Maindrive (RTLO 20913A)
3	FUL4300191	GEAR, Countershaft (RTLO 14713/16713A)	11	FULK-2918	KIT, Seal (Rear) (RT 12913/14913/16913) Includes Seal (1)EF69840 Gasket (1)EF69850 Slinger (1)EF69860 O-Ring (1)EF29220
4	FUL4300241	GEAR, Countershaft (RTLO 16713)	12	FUL4300911	SPACER, Auxiliary Drive Gear (RT 4713/16713)
5	FUL4301842	WASHER, Thrust (RTLO 12713/14713/16713/18913)	12	FUL4300912	SPACER (RT 14713)
6	FUL4300938	GEAR, Mainshaft (RT14713)	13	FULA-6224	FORK, Shift, Range (RT 14713)
6	FUL4300240	GEAR, Mainshaft (RTLO 16713)	14	FUL4303386	CLUTCH, Synchronizer (RT 12713) (Used in EF25510 Kit)
6	FUL4303476	GEAR, Mainshaft (RTLO 11613)	15	FUL4303673	SPACER, Mainshaft Bearing (RT 14713)
6	FUL4300242	GEAR, Mainshaft (RTLO 16710)	16	FUL4303185	WASHER, Auxiliary Drive (RT 14713)
			17	FULK-3200	KIT, Synchronizer Includes Clutch (1)EF25410
			18	FULA-6604	ASSEMBLY, Auxiliary Countershaft (Early) (RTLO 16713A)

Continued

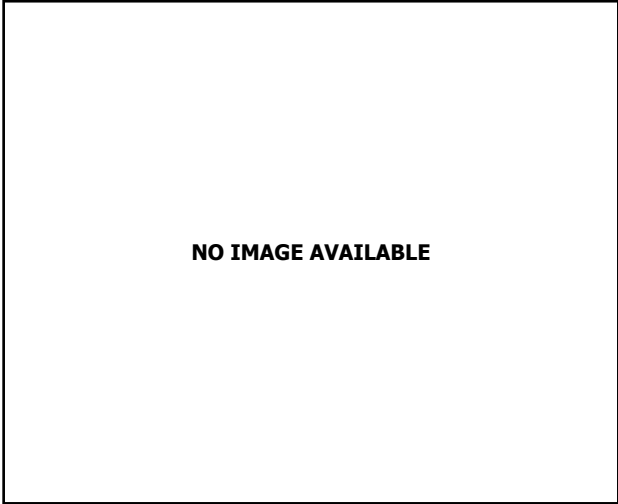
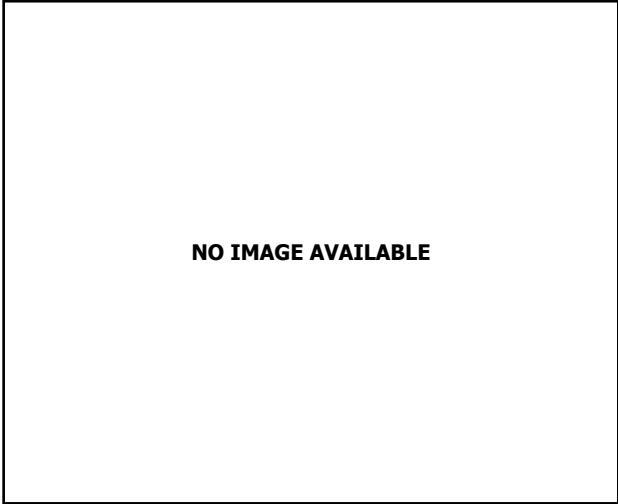


**FULLER TRANSMISSIONS – MISCELLANEOUS MODELS –
 MODEL RT 11613, 12713, 12913, 14713, 14913, 16713,
 16913, 18913, 20913**

Continued

KEY	OEM REFERENCE	DESCRIPTION	KEY	OEM REFERENCE	DESCRIPTION
18	FULA-6756	ASSEMBLY, Auxiliary Countershaft (Current) (RTLO 12713, 14713, 16713A, 18913A)	23	FULK-3342	KIT, Bearing & Seal (RTLO 12913A, 16913, 18913A) Includes Bearings (2)GBG-6089 (4)EF61550 (2)GBG-8954 (2)GBG-6137 (1)GBG-6798 (1)EF68630 (1)EF60870 Rings (1)EF27410 (1)EF27470 (1)900208 (2)EF28380 Springs (3)EF25380 (3)EF16610 Clutch (1)EF26370 Adapters (2)EF42090 Fittings (1)840076 Shim Kit (1)EF72550 Seal Kit (1)EF67990 Gasket Kit (1)EF89960 O-Ring Kit (1)900321 Pinion Assembly (1)EF67490
19	FUL21210	CYLINDER, Splitter (RT 11613)	23	FULK-3343	KIT, Bearing and Seal (RTLO 16913A, RTLOF 16913A) Includes Bearings (2)EF60890 (1)EF60870 (4)EF61550 (2)EF61370 (2)GBG-8954 (1)GBG-6798 (1)EF68630 Rings (1)EF27410 (1)EF27470 (4)EF27830 (2)EF28380 Springs (3)EF25380 Bushing (1)EF34050 Shim Kit (1)EF72550 Seal Kit (1)EF67990 Gasket Kit (1)EF89960 O-Ring Kit (1)900321
19	FUL4303582	CYLINDER, Splitter (RTLO 12713A, 14713A, 16713A, 18913A)	24	FUL23653	GEAR, Mainshaft Reverse (14913, 18913, 20913)
20	FUL4302047	SPACER, Washer	25	PKR169PMNS-5 /32-2	FITTING, 90°Elbow (1/8in pipe to 5/32in line push lock)
21	FUL4303649	MAINSHAFT, Auxiliary (12913A, 14913A, 16913A, 18913A, 20913A)	26	FULA-6863	HOUSING, Splitter
21	FUL19213	MAINSHAFT, Auxiliary (RTOOF 11613, RTO 11813)			
21	FULA-4738	ASSEMBLY, Auxiliary Mainshaft (RTOOF 11613, RTO 11813) Includes Mainshaft (1)900155 Quill (1)EF63350 Pin (1)EF51260			
21	FUL4301075	MAINSHAFT, Auxiliary (RTLO 14713A, 16713A)			
21	FUL4300904	MAINSHAFT, Auxiliary (RTLO 16713A)			
22	FULK-3341	KIT, O-Ring (RTLO 12913A, 14913A, 16913A, 20913A) Includes O-Rings (1)321312 (2)321338 (2)321369 (1)321377 (1)321387 (1)EF29080 (4)EF30130 (1)EF30170 (1)EF30190 (1)EF30260 (2)EF30750 Gasket (1)EF64510-005 (1)EF64510-023 (1)900341 Nuts (1)ER01960 (1)BNU-0192 Lubricant (1)GSL-0383			

Continued



**FULLER TRANSMISSIONS – MISCELLANEOUS MODELS –
MODEL RT 11613, 12713, 12913, 14713, 14913, 16713,
16913, 18913, 20913**

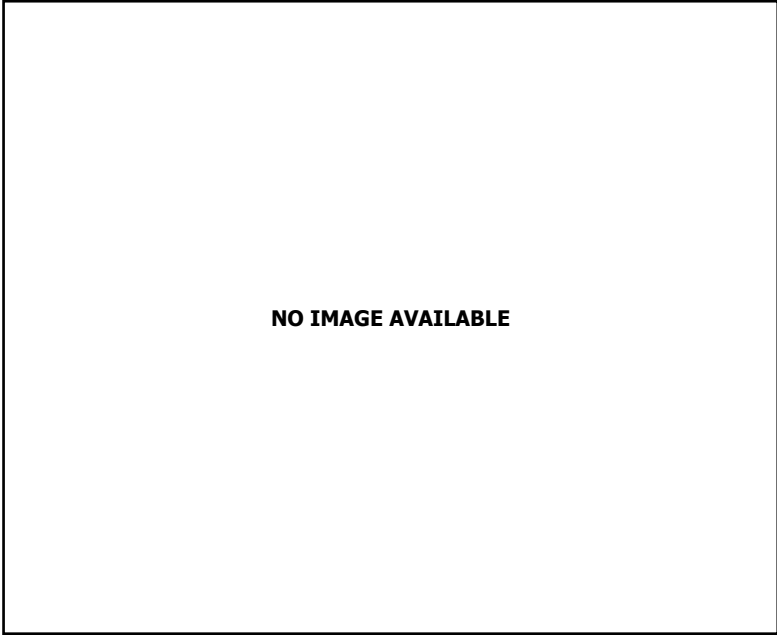
**FULLER TRANSMISSIONS – MISCELLANEOUS MODELS –
MODEL RT 14715, 5715/RT 11615, 11715, 14615, 15615,
16915**

Continued

KEY	OEM REFERENCE	DESCRIPTION
27	FULK-3331	KIT, Splitter Valve (11613, 16913) Includes Housing (1)900416 Fitting (1)840076 O-Rings (1)900323 (1)EF30130 (1)EF29080 Lubricant(1)GSL-0383
28	FULK-3202	KIT, Countershaft (RTLO/F 16713A) Includes Assembly (1) 900189 Spacer (1) EF10260
29	FUL4303412	GEAR, Mainshaft, Lo (RTLO/F 16713A)
30	FULK-2958	COUNTERSHAFT (RT 11709, 12709 /RTXF 11709, 12709, 13709, 14709, 16709)
31	FULA-6188	ASSEMBLY, Range Yoke (RTLO 16713A)
32	FULA-6429	RETAINER, Assembly
33	FULK-3367	KIT, Oil Pump (RT/RTO 11613) Includes Oil Pump assembly (1)900254 Plug (1)900258 Bolt kit (1)900440 Tube (1)900257
34	FUL20552	COVER, Front Bearing (RT 11613) (1-3/4in Pull)
35	FUL4303774	GEAR, Oil Pump (RT/RTO 11613)

KEY	OEM REFERENCE	DESCRIPTION
1	FUL4302484	GEAR, Mainshaft (RT 14715)
1	FUL21361	GEAR, Mainshaft (Lo Range) (RT 11715/14715/15715)
1	FUL20377	GEAR, Mainshaft, 4th (RT 14615)
1	FUL20379	GEAR, Mainshaft, 3rd (RT 14615)
1	FUL20381	GEAR, Mainshaft, 2nd (RT 14615)
1	FUL20383	GEAR, Mainshaft, 41st (RT 14615)
1	FUL4303428	GEAR, Mainshaft, 2nd (RTO 16915)
2	FUL21364	GASKET, Rear Mainshaft Housing (RT 14715/15715)
2	FUL21331	GASKET, Cylinder Assembly (RT 14715/15715)
2	FUL21332	GASKET, Cylinder Assembly (RT 14715/15715)
2	FUL4305978	GASKET, Countershaft Cover (RT 14715/15715)
3	MAK3088-21356	SET, Bearing, Rear Mainshaft (RT 15715/14710)
4	FUL15959	CLUTCH, Sliding (RT/RTO 11615)
4	FUL21360	CLUTCH, Sliding (RT 14715/15715)
5	FULK-2061	KIT, Gasket (RT 11715)
6	FUL15403	FORK, Shift
7	FULA-5156	ASSEMBLY, Mainshaft (Incl: (2)EF34120)
8	FUL21352	BUSHING, Auxiliary Mainshaft (Used in EF66530)
9	FUL21350	WASHER (RT11715)
10	FUL20462	COUNTERSHAFT (RT 14615)
10	FUL20463	COUNTERSHAFT (RT 14615)
10	FULA-5158	COUNTERSHAFT (RT 15715)
10	FULA-4819	COUNTERSHAFT Assembly (RT 14615)
11	FUL22027	GEAR, Mainshaft (O.D.) (RTXF 14615)

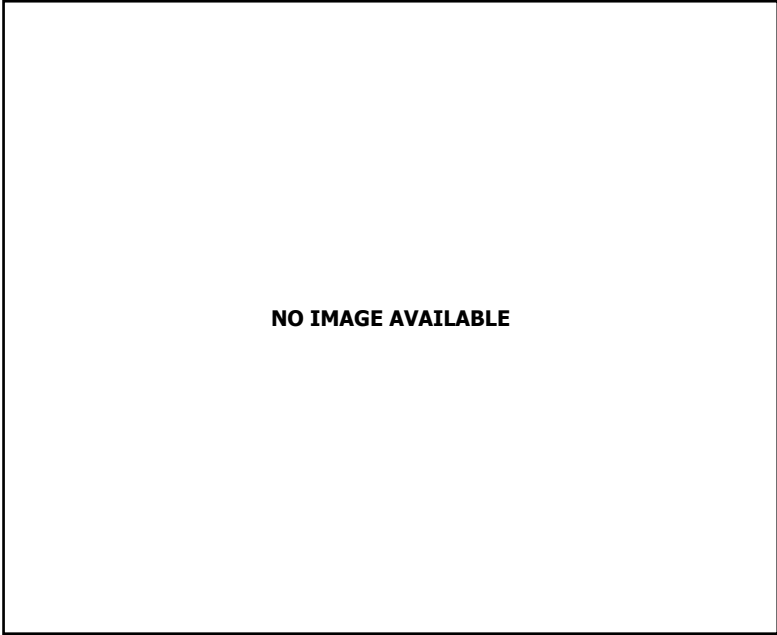
Continued



**FULLER TRANSMISSIONS – MISCELLANEOUS MODELS –
 MODEL RT 14715, 5715/RT 11615, 11715, 14615, 15615,
 16915**

Continued

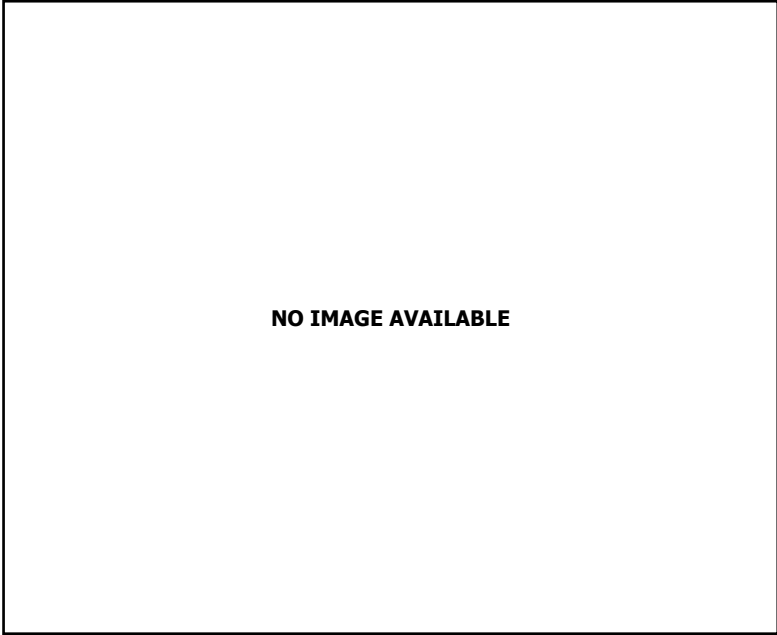
KEY	OEM REFERENCE	DESCRIPTION	KEY	OEM REFERENCE	DESCRIPTION
11	FUL20480	GEAR, Mainshaft, O.D. (RTO 15615)	18	FUL19315	GEAR, Auxiliary, Mainshaft (RT 11615)
12	FUL20380	GEAR, Countershaft, 3rd (RT 14615)	18	FUL4300677	GEAR, Auxiliary, Mainshaft (RT 14915)
12	FUL20382	GEAR, Countershaft, 2nd (RT 14615)	19	FULA-5159	FORK, Range (RT 16915)
12	FUL20461	GEAR, Countershaft (RT 14615)	20	PKR169PMNS-5 /32-2	FITTING, 90°Elbow (1/8in pipe to 5/32in line push lock)
13	FULK-1926	KIT, Countershaft (RTF 14615, RT 15615) Includes Keys (1)EF26920 (1)EF31830 Pin (1)EF51240 Countershaft (1)EF60690	21	FULA-6863	HOUSING, Splitter
14	FUL21325	MAINSHAFT, Auxiliary (RT 14715/15715)	22	FULK-3331	KIT, Splitter Valve (11615, 14615) Includes Housing(1)900416 Fitting (1)840076 O-Rings (1)900323(1)EF30130 (1)EF29080 Lubricant (1)GSL-0383
14	FUL4303359	MAINSHAFT, Auxiliary (RTO 14915)	23	FUL15113	COVER, Front Bearing (RT 14615)
14	FUL19213	MAINSHAFT, Auxiliary (RTXF/RTX 11615)	24	FUL4303357	GEAR, Maindrive Auxiliary (Severe Service)
14	FULA-4738	ASSEMBLY, Auxiliary Mainshaft (RTXF/RTX 11615) Includes Mainshaft (1)900155 Quill (1)EF63350 Pin (1)EF51260	25	FULK-3367	KIT, Oil Pump (RT/RTO 11613) Includes Oil Pump assembly (1)900254 Plug (1)900258 Bolt kit (1)900440 Tube (1)900257
14	MAK3088-21355	BEARING, Rear, Mainshaft (RT 11715)	26	FUL4303774	GEAR, Oil Pump (RT/RTO 11613)
15	FULK-2256	KIT, Seal (RT15615)	27	FUL4301320	PISTON, Range (RTO 14909)
16	FULK-2054	KIT, O-Ring (RTX-RTSF 11715/14715/15715)	28	FULK-2427	KIT, Range Cylinder (RTOF 11709, 14709, 16909, RTO 14909) Includes Range Piston (1)900406 Gasket (1)EF64520-004 O-Ring (1)EGA-3174
17	FUL21358	WASHER, Auxiliary Mainshaft (RT 15715)	29	FUL4300894	RETAINER, Drive Gear (15715)
18	FUL20024	GEAR, Auxiliary, Mainshaft (RT 11615)	30	FUL18926	BAR, Yoke
18	FUL19277	GEAR, Auxiliary, Mainshaft (RT 14615)			



**FULLER TRANSMISSIONS – MISCELLANEOUS MODELS –
 MODEL RT/RTLO 14718, 16718, 18718, 14918, 16918,
 18918, 20918, 22918**

KEY	OEM REFERENCE	DESCRIPTION	KEY	OEM REFERENCE	DESCRIPTION
1	FUL4302662	GEAR, Maindrive (RT 14718, 16718)	5	FUL4303420	GEAR, Mainshaft (RTLO 14918, 16918)
1	FUL4305068	GEAR, Maindrive (RT 14718, 16718)	5	FUL4300240	GEAR, Mainshaft (RTLO 16718)
1	FUL4304510	GEAR, Maindrive (RTLO 16918)	6	FULK-2808	KIT, Auxiliary Drive Gear (RT 16718)
1	FUL4305910	GEAR, Maindrive (FTLO 14918B)	6	FULK-3480	KIT, Auxiliary Drive Gear (RTLO 14918B, 16918B) Includes Gear (1)EF59310 Ring (1)900208 Spacer (1)900136 Washer (1)EF10290
2	FUL4300190	GEAR, Mainshaft, O.D. (RT 14718)	7	FUL4301795	GEAR, Reduction (RTLO 14918)
2	FUL4302393	GEAR, Mainshaft, O.D. (RT 14718, 16718) *	8	FUL4303422	GEAR, Auxiliary Mainshaft (RTLO 14718, 16718)
2	FUL4302394	GEAR, Mainshaft (RT 14718)*	8	FUL4304086	GEAR, Auxiliary Mainshaft (RTLOF 20918B)
2	FUL4302670	GEAR, Mainshaft (RT 18718)	9	FUL4303424	RING, Retaining (RT 14918)
2	FUL4303701	GEAR, Mainshaft (RTLO 18918B, RTLO 20918B)	9	FUL4301254	RING, Retaining (RT/RTLO 22918)
2	FUL4304516	GEAR, Mainshaft (RTLO 20918B)	10	FULK-3122	KIT, Auxiliary Mainshaft Gear (RT 14918)
3	FUL4304060	GEAR, Countershaft (RTLO 16918)*	11	FULK-2937	COUNTERSHAFT (RTLO 16718)
3	FUL4300247	GEAR, Countershaft (RT 18918)	11	FULK-3220	COUNTERSHAFT, Auxiliary (RTLO 16918)
3	FUL4304508	GEAR, Countershaft (RT 18918, 20918)*	11	FUL4304073	COUNTERSHAFT (RTLO 16918)
3	FUL4300241	GEAR, Countershaft (RTLO 16718)	11	FULK-2947	COUNTERSHAFT (14918, 16918, 18918, 22918) FUL 4302652
3	FUL4300191	GEAR, Countershaft (O.D.) (RT 14718)	12	FULK-2918	KIT, Seal (Rear) (14918, 16918, 18918, 20918, 22918)
3	FUL4304518	GEAR, Countershaft (RTLO 18918, FTRO 20918)	13	FULA-6224	FORK, Shift,Range (RT 16718)
3	FUL4304765	GEAR, Countershaft (RTLO 18918, RTLO 20918)	14	FUL4300911	SPACER, Auxiliary Drive Gear (RT 14718)
4	FUL4301842	WASHER, Thrust (RTLO 14718, 16918)	15	FUL4303124	SPACER, Countershaft (RTLO 16918B/RTLOF 18918B)
5	FUL4304514	GEAR, Mainshaft (RT 18918, 20918)			
5	FUL4304512	GEAR, Mainshaft (RTLO 18918)			

Continued

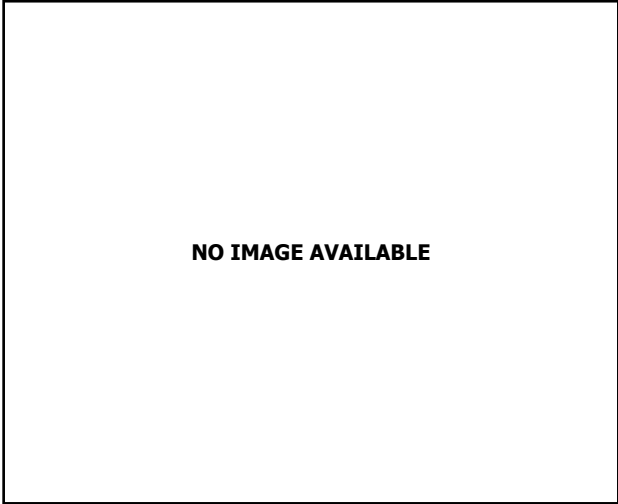
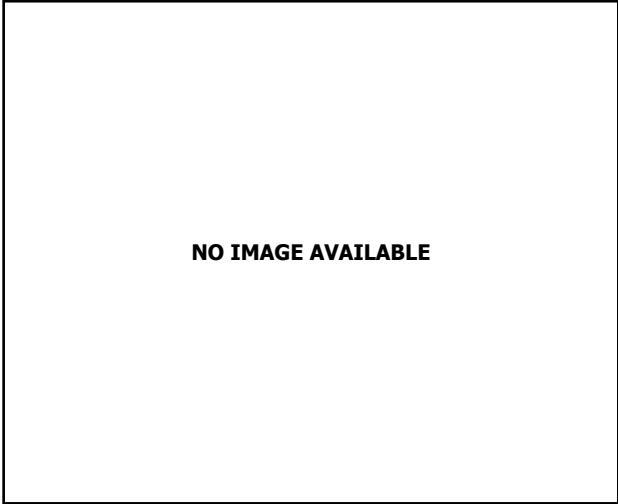


**FULLER TRANSMISSIONS – MISCELLANEOUS MODELS –
 MODEL RT/RTLO 14718, 16718, 18718, 14918, 16918,
 18918, 20918, 22918**

Continued

KEY	OEM REFERENCE	DESCRIPTION	KEY	OEM REFERENCE	DESCRIPTION
16	FULK-3288	KIT, Gasket (RT 16918, 18918)	28	FULK-3510	KIT, O-Ring Includes O-Rings (2)EF30130 (1)EF30170 (1)GGA-2932 (1)EF30150 (2)EF30750 (1)EF30260 (1)EF30190 Nuts (1)BNU-0192 (1)HNU-0079 Lubricant (2)GSL-0383 Gaskets (1)EF64510-005 (1)900347 (1)EF64510-006 (1)EF64510-013
16	FULK-3453	KIT, Gasket Includes Gaskets (1)EF64510-003 (1)EF64520-008 (1)EF64510-018	28	FULK-2846	KIT, O-Ring (RTLO 14718B) Includes O-Rings (1)EF30150 (1)EF30170 (1)EGA-3174 (1)GGA-2932 (1)EGA-0420 (1)EF30280 (1)EF30750 Gaskets (1)EF64520-005 (1)EF64520-004 Lubricant (1)GSL-0383
17	FUL4303386	CLUTCH, Synchronizer (RT 14718, 18918) (Used in EF25510 Kit)	29	FUL23653	GEAR, Mainshaft Reverse (14918, 16918, 22918)
18	FULK-3200	KIT, Synchronizer Includes Clutch (1)EF25410	30	PKR169PMNS-5/ 32-2	FITTING, 90°Elbow (1/8in pipe to 5/32 in line push lock)
19	FUL4303705	MAINSHAFT, Auxiliary (RT 14918/18918/22918)	31	FULA-6863	HOUSING, Splitter
19	FUL4300904	MAINSHAFT, Auxiliary (RTLOF 14718B, RTLO 18718B)	32	FULK-3331	KIT, Splitter Valve (14718, 22918) Includes Housing (1)900416 Fitting (1)840076 O-Rings (1)900323 (1) EF330130 (1)EF29080 Lubricant (1)GSL-0383
20	FUL4302712	BEARING, Countershaft (RT 16918)	33	FUL4301844	SLEEVE, Bearing
21	FUL4300902	SET, Bearing	34	FULS-1786	YOKE, Assembly (RTLO 16918)
22	FUL4303822	CLUTCH, Sliding (RTLO 14918, 16918, 18918, 20918, 22918)	35	FUL4301843	RETAINER, Bearing (RTLOF 18918)
23	FUL4304499	SPACER, Mainshaft (RTLO 14918, RTLO 22918)	36	FULK-3367	KIT, Oil Pump (RTLO 14918) Includes Oil Pump assembly (1)900254 Plug (1)900258 Bolt kit (1)900440 Tube (1)900257
23	FUL4304500	SPACER, Mainshaft (FTLO 14918, RTLO 22918)			
24	FULA-7011	YOKE, Assembly, Splitter (RTLO 16918 - Early Style)			
24	FULA-7012	YOKE, Assembly, Splitter (RTLO 18918, RTLO 20918)			
25	FUL2536	SPRING, Shift Lever (RTLO 14918B)			
26	FUL5566510	BEARING, Auxiliary Mainshaft			
27	FUL691955	GASKET, Cylinder Range			

Continued



**FULLER TRANSMISSIONS – MISCELLANEOUS MODELS –
 MODEL RT/RTLO 14718, 16718, 18718, 14918, 16918,
 18918, 20918, 22918**

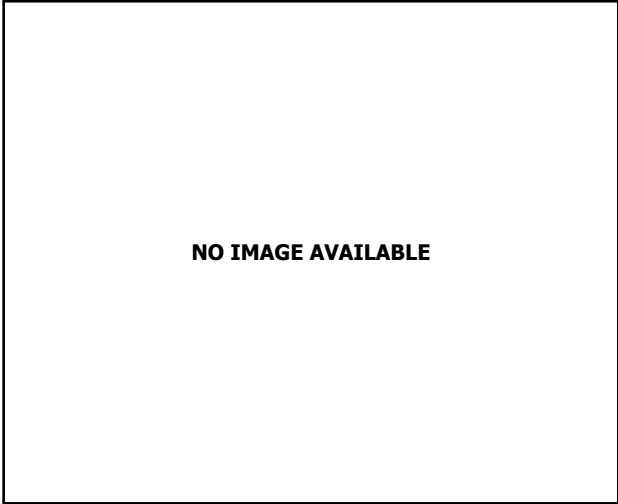
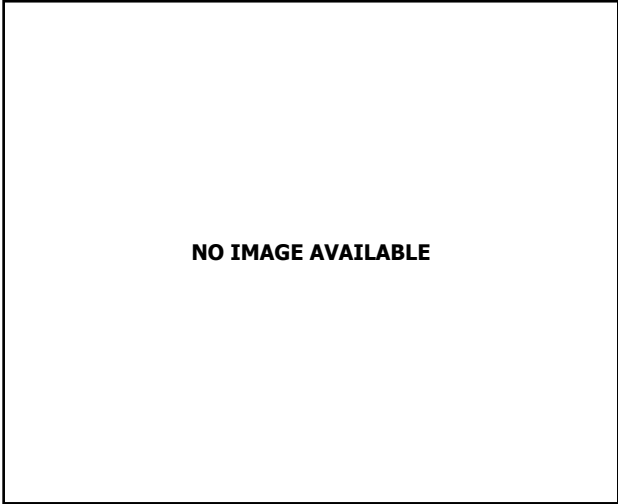
Continued

KEY	OEM REFERENCE	DESCRIPTION
37	FUL4304084	GEAR, Auxiliary Maindrive (RTLOF 20918B)
38	FUL4303774	GEAR, Oil Pump (RTLO 14918)
39	FUL19063	BLOCK, Shifter
40	FULA-7786	YOKE, Clutch Release Assembly
41	FUL4305715	TUBE, Lube
42	FUL5586663	EXCHANGER, Heat
43	FUL18128	PIN, Case Alignment
44	FUL4304023	PLUG, Case (Magnetic) (1-1/16in-12) (O-Ring included)
45	FUL18299	PIN, Shifter
46	FUL4304722	O-RING, Shift Lever Housing (RTLO 14718B, RTLO 16718B, RTLO 18718B)

**FULLER TRANSMISSIONS – MISCELLANEOUS MODELS –
 ADDITIONAL COMPONENTS**

KEY	OEM REF.	DESCRIPTION
1	FUL4301466	CUP, Synchronizer (FS 5306A)
2	MAK4AX25	SCREW
2	MAK4AX27	SCREW
2	MAK4AX155	SCREW
3	FUL4302322	SEAL,Rear
3	FUL20762	SEAL, Oil (FS 6305B)
3	MAK88AX386P2	SEAL (RTO 11609/RTO 14609B/ RTF 11613/RTF 15615)
3	MAK88AX391P2	SEAL
4	FUL15114	O-RING (A-5000 Valve)
4	MAK343SB31	O-RING
4	MAK446GC1215	O-RING
5	FUL14364	GASKET, Slave Valve Adapter
5	FUL19871	GASKET
5	FUL16784	GASKET
5	FUL19410	GASKET, Oil Pump
5	FUL20514	GASKET, Lube System
5	FUL16661	GASKET, PTO Brake Cover
5	FUL16827	GASKET, Oil
5	FUL20579	GASKET, Housing
5	FUL20789	GASKET, Front Cover
5	FUL4300799	GASKET, Housing
5	FUL4300853	GASKET, Cover (FS 8206A)
6	FUL14709	CLUTCH (T955)
7	FUL4304936	GEAR, Countershaft, 5th (FS 6406N)
7	FUL4304937	GEAR, Countershaft, 4th (FS 6406N)
8	FUL12128	NUT, Mainshaft
9	FUL4302323	SLINGER, Oil
10	FUL20921	FINGER, Shift

Continued



**FULLER TRANSMISSIONS – MISCELLANEOUS MODELS –
ADDITIONAL COMPONENTS**

Continued

KEY	OEM REF.	DESCRIPTION
11	FULK-7028	SET, Gasket (FS 6305 B) Includes Gaskets (1)931010 (1)931015 (1)931016 (1)931017 (1)EF64570-007
11	FULK-3518	SET, Gasket (RTO 10910B) Includes Gaskets (1)900340 (1)EF64510-003 (1)EF64510-019 (1)EF64510-005 (1)931010 (1)EF69850 (1)EF64510-017 (1)EF64510-012 (1)EF64510-010 (1)GGK-6455-001 (2)EF64520-006 (1)900347
12	FULS-1406	PINION, Input (FS 5205 A)

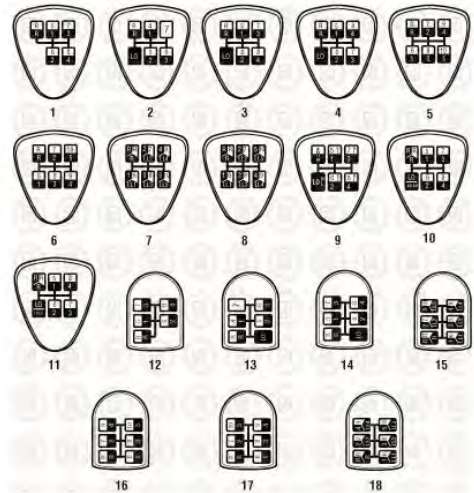
**FULLER TRANSMISSIONS – MISCELLANEOUS MODELS –
FULLER MISCELLANEOUS BEARINGS**

KEY	OEM REF.	DESCRIPTION
1	FUL4301851	SET
1	MAK46AX495	BEARING
1	MAK3088-14367	KIT, Bearing
1	FUL14367	BEARING
1	MAK67AX286	BEARING
1	MAK3088-81566	BEARING
1	MAK46AX303	BEARING
1	MAK46AX410	BEARING
1	MAK46AX442	BEARING
1	FUL5566508	BEARING
1	MAK46AX75	BEARING
1	MAK46AX489	BEARING (15 Rollers)
1	MAK46AX115	BEARING
1	MAK46AX40	BEARING
1	MAK46AX309	BEARING
1	MAK46AX531	BEARING
1	MAK46AX490	BEARING
1	NTN932	CUP, Bearing
1	NTN4T-938/932	SET, Bearing Includes Bearings (1)806929 (1)806989
1	NTN938	CONE, Bearing



FULLER TRANSMISSIONS – SELECTOR VALVES

KEY	OEM REF.	DESCRIPTION
1	MAK3088-A4491	All Ports 1/16in P.T.
1	FULA-4491	
2	MAK3088-A4487	All Ports 1/16in P.T.
2	FULA-4487	
2	FULK-1553	KIT, Valve (Incl: (1)EF36930 Valve (3)EF42130 Adapters)
3	FULA-4490	
3	MAK3088-A4490	All Ports 1/16in P.T.
4	MAK3088-A4494	All Ports 1/16in P.T.



FULLER TRANSMISSIONS – SHIFT MEDALLIONS

KEY	OEM REF.	DESCRIPTION
1	FUL5586102	MEDALLION
2	FUL5586103	MEDALLION
3	FUL5586104	MEDALLION
4	FUL5586105	MEDALLION
5	FUL5586106	MEDALLION
6	FUL5586107	MEDALLION
7	FUL5586111	MEDALLION
8	FUL5586112	MEDALLION
9	FUL5586114	MEDALLION
10	FUL5586115	MEDALLION
11	FUL5586116	MEDALLION
12	FUL20880	MEDALLION
13	FUL20881	MEDALLION
14	FUL20882	MEDALLION
15	FUL21820	MEDALLION
16	FUL20884	MEDALLION
17	FUL20885	MEDALLION
18	FUL21818	MEDALLION



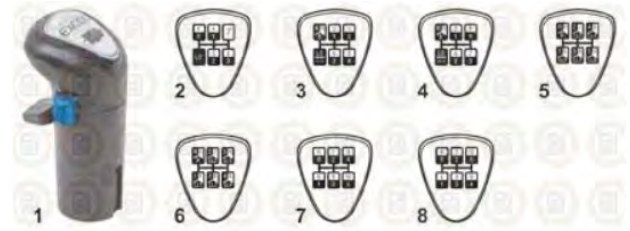
FULLER TRANSMISSIONS – TRANSMISSION SELECTOR VALVES – SELECTOR VALVES

KEY	OEM REF.	DESCRIPTION
1	MAK3088-A6913	All Ports 1/16in P.T. w/ Mfg. Logo Medallion (w/o Shift Diagram)
1	FULA-6913	All Ports 1/16in P.T. w/ Mfg. Logo Medallion (w/o Shift Diagram) Gold Medallion EF13940 can be used with this Valve
NEW	FULA-6913	All Ports 1/16in P.T. w/ Mfg. Logo Medallion (w/o Shift Diagram)
1	MAK3088-S2629	All Ports 1/16in P.T. w/ Medallion EF15430
1	FULS-2629	All Ports 1/16in P.T. w/ Medallion EF15430
1	MAK3088-S2579	All Ports 1/16in P.T. w/ Medallion EF15440
1	FULS-2579	All Ports 1/16in P.T. w/ Medallion EF15440
1	FULS-2579	All Ports 1/16in P.T. w/ Medallion EF15440
2	FUL5586104	MEDALLION
3	FUL5586105	MEDALLION
	FULK-3193	KIT, Repair (Current Style)
	MAK3088-K1826	KIT, Repair (Early Style)
	FULK-1826	KIT, Repair



FULLER TRANSMISSIONS – TRANSMISSION SELECTOR VALVES – SELECTOR VALVES

KEY	OEM REF.	DESCRIPTION
1	MAK3088-A6918	All Ports 1/16in P.T. w/ Mfg. Logo Medallion (w/o Shift Diagram)
1	FULA-6918	All Ports 1/16in P.T. w/ Mfg. Logo Medallion (w/o Shift Diagram)
1	MAK3088-S2588	All Ports 1/16in P.T. w/ Medallion EF15490
1	FULS-2588	All Ports 1/16in P.T. w/ Medallion EF15490
2	FUL5586114	MEDALLION



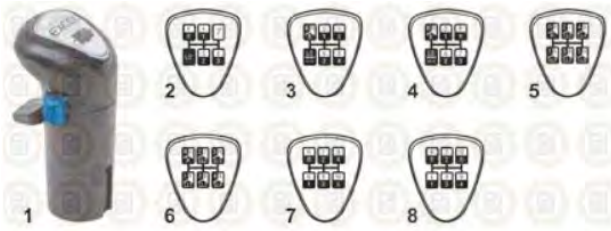
FULLER TRANSMISSIONS – TRANSMISSION SELECTOR VALVES – SELECTOR VALVES

KEY	OEM REF.	DESCRIPTION
1	MAK3088-A6909	All Ports 1/16in P.T. w/ Mfg. Logo Medallion (w/o Shift Diagram)
1	FULA-6909	All Ports 1/16in P.T. w/ Mfg. Logo Medallion (w/o Shift Diagram)
1	FULA-6909	All Ports 1/16in P.T. w/ Mfg. Logo Medallion (w/o Shift Diagram)
1	MAK3088-S2570	All Ports 1/16in P.T. w/ Medallion EF15410
1	FULS-2570	All Ports 1/16in P.T. w/ Medallion EF15410
1	MAK3088-S2576	All Ports 1/16in P.T. w/ Medallion EF15420
1	FULS-2576	All Ports 1/16in P.T. w/ Medallion EF15420
1	MAK3088-S2571	All Ports 1/16in P.T. w/ Medallion EF15430
1	FULS-2571	All Ports 1/16in P.T. w/ Medallion EF15430
1	MAK3088-S2572	All Ports 1/16in P.T. w/ Medallion EF15440
1	FULS-2572	All Ports 1/16in P.T. w/ Medallion EF15440
1	MAK3088-S2574	All Ports 1/16in P.T. w/ Medallion EF15450
1	FULS-2574	All Ports 1/16in P.T. w/ Medallion EF15450
1	MAK3088-S2575	All Ports 1/16in P.T. w/ Medallion EF15460
1	FULS-2575	All Ports 1/16in P.T. w/ Medallion EF15460
2	FUL5586102	MEDALLION
3	FUL5586103	MEDALLION
4	FUL5586104	MEDALLION
5	FUL5586105	MEDALLION
6	FUL5586106	MEDALLION
7	FUL5586107	MEDALLION
	MAK3088-K1921	KIT, Repair
	FULK-1921	KIT, Repair

FULLER TRANSMISSIONS – TRANSMISSION SELECTOR VALVES – SELECTOR VALVES

KEY	OEM REF.	DESCRIPTION
1	MAK3088-A6915	All Ports 1/16in P.T. w/ Mfg. Logo Medallion (w/o Shift Diagram)
1	FULA-6915	All Ports 1/16in P.T. w/ Mfg. Logo Medallion (w/o Shift Diagram)
1	FULA-6915	All Ports 1/16in P.T. w/ Mfg. Logo Medallion (w/o Shift Diagram)
1	MAK3088-S2580	All Ports 1/16in P.T. w/ Medallion EF15420
1	FULS-2580	All Ports 1/16in P.T. w/ Medallion EF15420
1	MAK3088-S2581	All Ports 1/16in P.T. w/ Medallion EF15510
1	FULS-2581	All Ports 1/16in P.T. w/ Medallion EF15510
1	MAK3088-S2582	All Ports 1/16in P.T. w/ Medallion EF15520
1	FULS-2582	All Ports 1/16in P.T. w/ Medallion EF15520
1	MAK3088-S2584	All Ports 1/16in P.T. w/ Medallion EF15470
1	FULS-2584	All Ports 1/16in P.T. w/ Medallion EF15470
1	MAK3088-S2585	All Ports 1/16in P.T. w/ Medallion EF15480
1	FULS-2585	All Ports 1/16in P.T. w/ Medallion EF15480
1	MAK3088-S2586	VALVE, Selector All Ports 1/16in P.T. w/ Medallion EF15450
1	FULS-2586	All Ports 1/16in P.T. w/ Medallion EF15450
1	MAK3088-S2587	All Ports 1/16in P.T. w/ Medallion EF15460
1	FULS-2587	All Ports 1/16in P.T. w/ Medallion EF15460
2	FUL5586103	MEDALLION

Continued



FULLER TRANSMISSIONS – TRANSMISSION SELECTOR VALVES – SELECTOR VALVES

Continued

KEY	OEM REF.	DESCRIPTION
3	FUL5586115	MEDALLION
4	FUL5586116	MEDALLION
5	FUL5586111	MEDALLION
6	FUL5586112	MEDALLION
7	FUL5586106	MEDALLION
8	FUL5586107	MEDALLION
	FULK-3192	KIT, Repair (Current Style)
	MAK3088-K1922	KIT, Repair (Early Style)
	FULK-1922	KIT, Repair (Early Style)



FULLER TRANSMISSIONS – TRANSMISSION SELECTOR VALVES – SELECTOR VALVES

KEY	OEM REF.	DESCRIPTION
	MAK3088-A6910	All Ports 1/16in P.T. w/ Mfg. Logo Medallion (w/o Shift Diagram)
	FULA-6910	All Ports 1/16in P.T. w/ Mfg. Logo Medallion (w/o Shift Diagram) Gold Medallion EF13940 can be used with this Valve
	FULK-3190	KIT, Repair (Current Style)
	FULK-2347	KIT, Repair (Early Style)



FULLER TRANSMISSIONS – CONVERSION KITS

KEY	OEM REF.	DESCRIPTION
	FULK-1560	KIT, Conversion
	FULK-2030	KIT, Conversion (A-4488 & A-4490)

FULLER TRANSMISSIONS – SELECTOR VALVE



KEY	OEM REF.	DESCRIPTION
	FULA-7313	All Ports 1/16in P.T. w/ Mfg. Logo Medallion (w/o Shift Diagram) 13 Speed



KEY	OEM REF.	DESCRIPTION
	FULA-7315	All Ports 1/16in P.T. w/ Mfg. Logo Medallion (w/o Shift Diagram) 7, 8, 9 & 15 Speed



KEY	OEM REF.	DESCRIPTION
	FULA-7318	All Ports 1/16in P.T. w/ Mfg. Logo Medallion (w/o Shift Diagram) 18 Speed



FULLER TRANSMISSIONS – SHIFTER BOOT

KEY	OEM REF.	DESCRIPTION
	FUL10427	BOOT, Shifter (3in Diameter)



FULLER TRANSMISSIONS – MISCELLANOUS VALVES – TW-1 CONTROL VALVE

KEY	OEM REF.	DESCRIPTION
1	MAK3088-14651	Supply Port (1) 1/8in P.T. Delivery Ports (2) 1/8in P.T.
2	MAK7546-8023 MAK745-101805	Cover Plate KIT, Repair



**FULLER TRANSMISSIONS – MISCELLANOUS VALVES –
TW-4 CONTROL VALVE**

KEY	OEM REF.	DESCRIPTION
	MAK745-276635	Supply Port (1) 1/8in P.T. Delivery Ports (2) 1/8in P.T.

**FULLER TRANSMISSIONS – MISCELLANOUS VALVES –
PRESSURE REGULATOR**

KEY	OEM REF.	DESCRIPTION
	MAK3088-16743	Supply Port (1) 1/4in P.T. Delivery Ports (2) 1/8in P.T. Pressure Setting 60+2.5psig
	FUL16743	Supply Port (1) 1/4in P.T. Delivery Ports (2) 1/8in P.T. Pressure Setting 60+2.5psig



**FULLER TRANSMISSIONS – MISCELLANOUS VALVES –
 TRANSMISSION RANGE VALVE**

KEY	OEM REF.	DESCRIPTION
	FULA-3546	Inlet Port (1) 1/8in P.T. Outlet Port (1) 1/8in P.T.
	FULA-3546	Inlet Port (1) 1/8in P.T. Outlet Port (1) 1/8in P.T.
	MAK3088-K1566	KIT, Repair
	FULK-1566	KIT, Repair



**FULLER TRANSMISSIONS – MISCELLANOUS VALVES –
 COUNTERSHAFT BRAKE VALVE**

KEY	OEM REF.	DESCRIPTION
	MAK3088-16859	All Ports 1/8in P.T.
	NAV 1662532C1	All Ports 1/8in P.T.



**FULLER TRANSMISSIONS – MISCELLANOUS VALVES –
 VALVE INSERTS AND BREATHER**

KEY	OEM REF.	DESCRIPTION
1	FUL19974	VALVE, Insert
2	FUL4300810	VALVE, Insert
3	FUL4304602	BREATHER, Transmission



**FULLER TRANSMISSIONS – MISCELLANOUS VALVES –
 FILTER ASSEMBLIES**

KEY	OEM REF.	DESCRIPTION
1	MAK3088-A4041	Inlet Port (1) 1/4in P.T. Outlet Port (1) 1/4in P.T.
1	FULA-4041	Inlet Port (1) 1/4in P.T. Outlet Port (1) 1/4in P.T.
2	FUL16918	O-RING
3	FUL16920	FILTER
4	FUL16919	SPRING
	KIT, Repair	MID RN13A

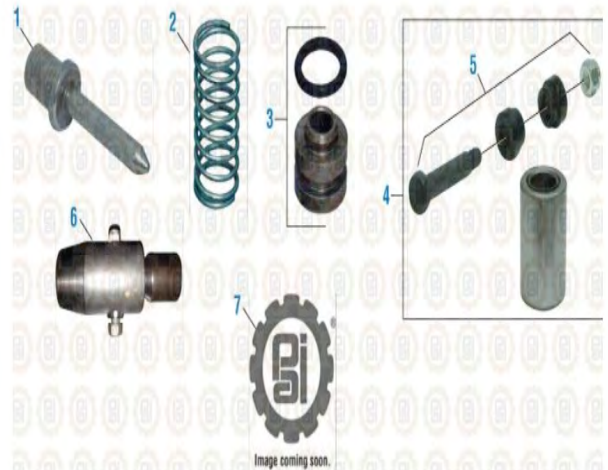


**FULLER TRANSMISSIONS – MISCELLANOUS VALVES –
REGULATOR/FILTER ASSEMBLIES**

KEY	OEM REF.	DESCRIPTION
1	MAK3088-A4740	ASSEMBLY, Filter Supply Port (1) 3/8in P.T.,
1	FULA-4740	ASSEMBLY, Filter
2	MAK3088-19670	FILTER
3	MAK3088-19671	O-RING
4	MAK446GC1131	O-RING
	MAK3088-K1698	KIT, Repair
5	MAK3088-K2170	ASSEMBLY, Filter Supply Port (1) 3/8in P.T. Delivery Ports (3) 1/8in P.T. 63 psig Setting
5	FULK-2170	ASSEMBLY, Filter Supply Port (1) 3/8in P.T. Delivery Ports (3) 1/8in P.T. 63 psig Setting
6	ROKA-3280-X-9072	ASSEMBLY, Filter Supply Port (1) 3/8in P.T. Delivery Ports (3) 1/8in P.T. 67 psig Setting
6	ROKA-3280-X-9072	ASSEMBLY, Filter Supply Port (1) 3/8in P.T. Delivery Ports (3) 1/8in P.T. 67 psig Setting

**FULLER TRANSMISSIONS – MISCELLANOUS VALVES –
SLAVE VALVES**

KEY	OEM REF.	DESCRIPTION
	MAK3088-A4688	VALVE Supply Ports (2) 1/8in P.T. Delivery Port (1) 1/8in P.T. Control Port (1) 1/8in P.T.
	FULA-4688	VALVE Supply Ports (2) 1/8in P.T. Delivery Port (1) 1/8in P.T. Control Port (1) 1/8in P.T.
	MAK3088-K1699	KIT, Repair
	FULK-1699	KIT, Repair
	FUL15758	GASKET



FULLER TRANSMISSIONS – MISCELLANOUS VALVES – SLAVE VALVES

KEY	OEM REF.	DESCRIPTION
	MAK3088-A5000	VALVE Supply Ports (2) 1/8in P.T. Delivery Port (3) 1/8in P.T. Control Port 1/8in P.T.
	FULA-5000	VALVE Supply Ports (2) 1/8in P.T. Delivery Port (3) 1/8in P.T. Control Port 1/8in P.T.
	MAK3088-K2424	KIT, Valve Includes Gasket EF36780 and Mtg. Bolts
	FULK-2424	KIT, Valve Includes Gasket EF36780 and Mtg. Bolts
	MAK3088-K1935	KIT, Repair
	FUL19481	GASKET

FULLER TRANSMISSIONS – MISCELLANOUS VALVES – MISCELLANEOUS COMPONENTS

KEY	OEM REFERENCE	DESCRIPTION
1	FUL20490	PIN
2	FUL21268	SPRING
3	FULK-1969	KIT, Sleeve Include Sleeve (1)EF16230 O-Ring (1)EGA-0450
4	FULK-3399	KIT, Shift Lever
5	FULK-2003	KIT, Bolt w/ Bushings
6	FULS-1794	ASSEMBLY, Shift Isolator
7	FUL4303030	PIN, Shift Lever (Image coming soon)
8	FUL18299	PIN, Shifter (Image coming soon)



**FULLER TRANSMISSIONS – MISCELLANOUS VALVES –
TRANSMISSION SECTION – OIL COOLER**

KEY	OEM REF.	DESCRIPTION
1	FUL18025	CORE, Oil Cooler 14-3/8in Length, 6in Wide 1-1/2in Thickness



**FULLER TRANSMISSIONS – MISCELLANOUS VALVES –
TRANSMISSION SECTION – OIL COOLER**

KEY	OEM REF.	DESCRIPTION
2	FUL4304827	FILTER, Oil



FULLER TRANSMISSIONS – MISCELLANOUS VALVES – TW-1 CONTROL VALVE

KEY	OEM REF.	DESCRIPTION
1	MAK3088-14651	Supply Port (1) 1/8in P.T. Delivery Ports (2) 1/8in P.T.
2	MAK7546-8023	Cover Plate



FULLER TRANSMISSIONS – MISCELLANOUS VALVES – TW-4 CONTROL VALVE

KEY	OEM REF.	DESCRIPTION
	MAK745-276635	Supply Port (1) 1/8in P.T. Delivery Ports (2) 1/8in P.T.



**FULLER TRANSMISSIONS – MISCELLANOUS VALVES –
 PRESSURE REGULATOR**

KEY	OEM REF.	DESCRIPTION
	MAK3088-16743	Supply Port (1) 1/4in P.T. Delivery Ports (2) 1/8in P.T. Pressure Setting 60+2.5psig
	FUL 16743	Supply Port (1) 1/4in P.T. Delivery Ports (2) 1/8in P.T. Pressure Setting 60+2.5psig



**FULLER TRANSMISSIONS – MISCELLANOUS VALVES –
 TRANSMISSION RANGE VALVE**

KEY	OEM REF.	DESCRIPTION
	FULA-3546	Inlet Port (1) 1/8in P.T. Outlet Port (1) 1/8in P.T.
	FULA-3546	Inlet Port (1) 1/8in P.T. Outlet Port (1) 1/8in P.T.
	MAK 20QE2116	KIT, Repair
	FULK-1566	KIT, Repair



**FULLER TRANSMISSIONS – MISCELLANOUS VALVES –
COUNTERSHAFT BRAKE VALVE**

KEY	OEM REF.	DESCRIPTION
	MAK3088-16859	All Ports 1/8in P.T.
	FUL16859	All Ports 1/8in P.T.



**FULLER TRANSMISSIONS – MISCELLANOUS VALVES –
VALVE INSERTS AND BREATHER**

KEY	OEM REF.	DESCRIPTION
1	FUL19974	VALVE, Insert
2	FUL4300810	VALVE, Insert
3	FUL4304602	BREATHER, Transmission



**FULLER TRANSMISSIONS – MISCELLANOUS VALVES –
FILTER ASSEMBLIES**

KEY	OEM REF.	DESCRIPTION
1	MAK3088-A4041	Inlet Port (1) 1/4in P.T. Outlet Port (1) 1/4in P.T.
1	FULA-4041	Inlet Port (1) 1/4in P.T. Outlet Port (1) 1/4in P.T.
2	FUL16918	O-RING
3	FUL16920	FILTER
4	FUL16919	SPRING
	MAK3088-K1486	KIT, Repair
	FULK-1486	KIT, Repair



**FULLER TRANSMISSIONS – MISCELLANOUS VALVES –
REGULATOR/FILTER ASSEMBLIES**

KEY	OEM REF.	DESCRIPTION
1	MAK3088-A4740	ASSEMBLY,Filter (Supply Port (1) 3/8in P.T., Delivery Ports (3)1/8in P.T.)
1	FULA-4740	ASSEMBLY,Filter (Supply Port (1)3/8in P.T., Delivery Ports (3)1/8in P.T.)
2	MAK3088-19670	FILTER
3	MAK3088-19671	O-RING
	MAK446GC1131	O-RING
4	MAK3088-K1698	KIT,Repair
5	MAK3088-K2170	ASSEMBLY,Filter Supply Port (1) 3/8in P.T. Delivery Ports (3) 1/8in P.T. 63 psig Setting
5	FULK-2170	ASSEMBLY,Filter Supply Port (1) 3/8in P.T. Delivery Ports (3) 1/8in P.T. 63 psig Setting
6	ROKA-3280-X-9072	ASSEMBLY,Filter Supply Port (1) 3/8in P.T. Delivery Ports (3) 1/8in P.T. 63 psig Setting
6	ROKA-3280-X-9072	ASSEMBLY,Filter Supply Port (1) 3/8in P.T. Delivery Ports (3) 1/8in P.T. 63 psig Setting

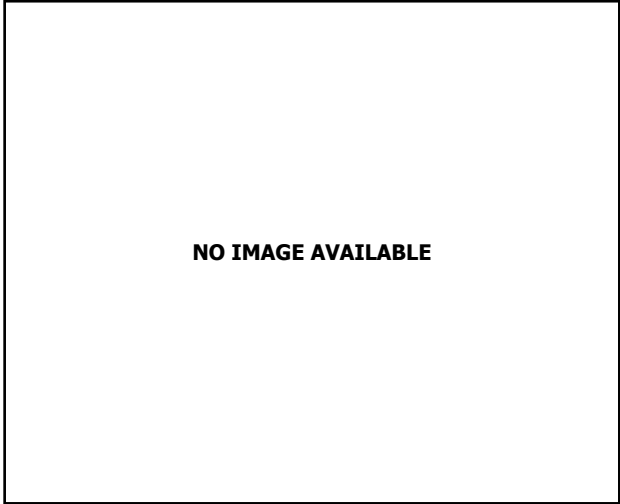


FULLER TRANSMISSIONS – MISCELLANOUS VALVES – SLAVE VALVES

KEY	OEM REF.	DESCRIPTION
	MAK3088-A4688	VALVE Supply Ports (2) 1/8in P.T. Delivery Port (1) 1/8in P.T. Control Port (1) 1/8in P.T.
	FULA-4688	VALVE Supply Ports (2) 1/8in P.T. Delivery Port (1) 1/8in P.T. Control Port (1) 1/8in P.T.
	MAK3088-K1699	KIT,Repair
	FULK-169	KIT,Repair
	FUL15758	GASKET

FULLER TRANSMISSIONS – MISCELLANOUS VALVES – SLAVE VALVES

KEY	OEM REF.	DESCRIPTION
	MAK3088-A5000	VALVE Supply Ports (2) 1/8in P.T. Delivery Port (3) 1/8in P.T. Control Port 1/8in P.T.
	FULA-5000	VALVE Supply Ports (2) 1/8in P.T. Delivery Port (3) 1/8in P.T. Control Port 1/8in P.T.
	MAK3088-K2424	KIT,Valve Includes Gasket EF36780 and Mtg. Bolts
	FULK-2424	KIT,Valve Includes Gasket EF36780 and Mtg. Bolts
	MAK3088-K1935	KIT,Repair
	FUL19481	GASKET



FULLER TRANSMISSIONS – MISCELLANOUS VALVES – MISCELLANEOUS COMPONENTS

KEY	OEM REFERENCE	DESCRIPTION
1	FUL20490	PIN
2	FUL21268	SPRING
3	FULK-1969	KIT, Sleeve Include Sleeve (1)EF16230 O-Ring (1)EGA-0450
4	FULK-3399	KIT, Shift Lever
5	FULK-2003	KIT, Bolt w/ Bushings
6	FULS-1794	ASSEMBLY, Shift Isolator
7	FUL4303030	PIN, Shift Lever
8	FUL18299	PIN, Shifter

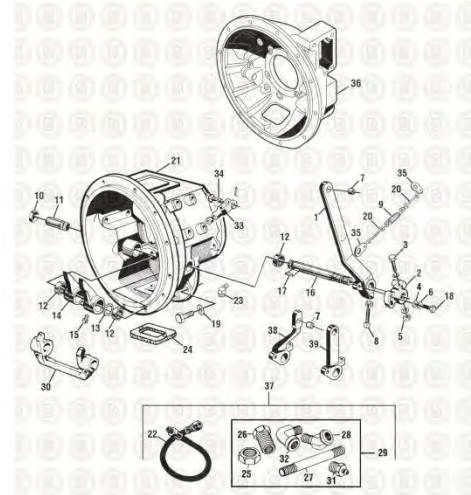
FULLER TRANSMISSIONS – MISCELLANOUS VALVES – OIL COOLER

KEY	OEM REF.	DESCRIPTION
3	FUL17237	FILTER, Oil



AIR SYSTEM HOSES

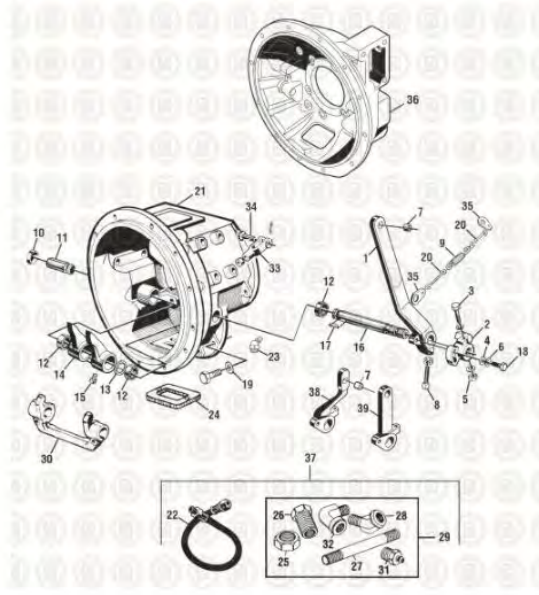
KEY	OEM REF.	DESCRIPTION
1	FUL68526	TUBING (White)
1	FUL82013	TUBING (Black)
1	N/A	TUBING (Black)
1	N/A	TUBING (Red)
1	FUL75120	TUBING (Red)
1	N/A	TUBING (Black)
1	FUL75320	TUBING (Black)
1	FUL75520	TUBING (Green)
1	FUL75720	TUBING (Blue)
1	N/A	SHEATHING, Plastic
1	FUL80120	SHEATHING, Plastic
2	N/A	TUBING (White)
2	FUL75100	TUBING (Red)
2	N/A	TUBING (Black)
2	FUL75300	TUBING (Black)
2	FUL75500	TUBING (Green)
2	FUL75700	TUBING (Blue)
3	MAK6635-PFT2AWHT1000	TUBING (White)
4	FUL55527	HOSE, Assembly
4	FUL55525	HOSE, Assembly
4	FUL55506	HOSE, Assembly
4	FUL55507	HOSE, Assembly
4	FUL55516	HOSE, Assembly
4	FUL55526	HOSE, Assembly
4	FUL55524	HOSE, Assembly
4	FUL55522	HOSE, Assembly
4	FUL55523	HOSE, Assembly
4	FUL55508	HOSE, Assembly
4	FUL55518	HOSE, Assembly
4	FUL55509	HOSE, Assembly



MACK BELL HOUSING COMPONENTS – BELL HOUSING - MACK APPLICATION

KEY	OEM REF.	DESCRIPTION
1	MAK13RU3124	LEVER,Clutch Release
2	MAK14RU265B	LEVER,Adjusting (Straight Side Spline)
2	MAK4RU362	LEVER, Adjusting (Involute Spline)
3	MAK1AX409	SCREW, Cap (3/8in-24 x 2-1/2in)
4	MAK37AX472U	WASHER
5	MAK21AX852	NUT (3/8in-24)
6	MAK36AX3	WASHER
7	MAK80AX206	BUSHING
8	MAK7AX234	SCREW, Adjusting
9	MAK58AX88	SPRING, Clutch Return
10	MAK79AX60Z	PLUG
11	MAK604KC127	SHAFT(RH)
11	MAK604KC270A	SHAFT(RH)
11	MAK604KC121P2	SHAFT(RH)(Fuller)
12	FUL12815	BUSHING, Clutch Release Shaft
12	MAK67AX327	BEARING, Clutch Release Shaft (Internal Seal) (3 req'd)
13	MAK88AX350P3	SEAL (Use w/Bearing w/o Int. Seal)
14	MAK301KD315B	YOKE, Clutch Release
15	MAK7AX264X	SCREW, Lock(Dog Point)
16	MAK2104-106C939	SHAFT(LH)
16	MAK604KC260B	SHAFT(Straight Side Spline)
16	MAK604KC31	SHAFT(Involute Spline)
16	MAK604KC122P1	SHAFT(LH)(Fuller)
17	MAK441SZ459	WASHER ,Fork(1/4in)
17	MAK43AX41	KEY
18	MAK2AX321	SCREW
19	MAK711GC1100P6	WASHER
20	MAK70AX28	EXTENSION(6-1/4in) (R Model)

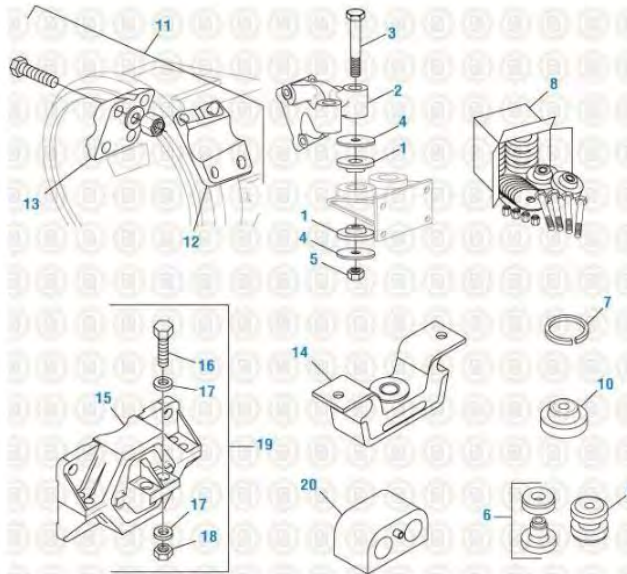
Continued



**MACK BELL HOUSING COMPONENTS – BELL HOUSING -
 MACK APPLICATION**

Continued

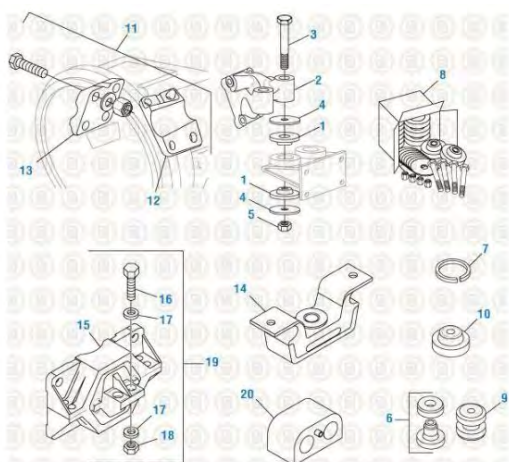
KEY	OEM REF.	DESCRIPTION	KEY	OEM REF.	DESCRIPTION
20	MAK70AX38	EXTENSION(9-7/8in) (F Model)	36	FULA-4348	BELLHOUSING (Use when mounting a Fuller Transmission to a Mack Engine) Includes Bushings (8)EF61030 Fittings (4)FGF-0171
20	MAK70AX40	EXTENSION(10-5/8in)(R Model)	37	MAK201SC15	KIT,Bearing Lube Includes Hose (1)MLK-4157 Bearing Lube Kit (1)MLH-4159
21	MAK51KC359EP3	HOUSING, Bell(Maxitorque)	38	MAK13RU3126	LEVER, Clutch Adjusting
22	MAK36RU170	ASSEMBLY, Hose(Lubrication)	38	MAK13RU3162P3	LEVER, Clutch Release
22	MAK36RU171	ASSEMBLY, Hose(Lubrication)	38	MAK13RU3126P4	LEVER, Clutch Release
22	MAK42QE2308	ASSEMBLY, Hose(Lubrication)	39	MAK33MX36M	LEVER, Clutch Release
23	MAK44AX98	FITTING, Grease	39	MAK33MX43M4	LEVER, Clutch Release
24	MAK629KB42	GASKET, Inspection Cover			
25	MAK20AX30	NUT(9/16in-18)			
26	MAK63AX531	FITTING			
27	MAK63AX284	NIPPLE(1/8in Pipe)			
28	MAK63AX3654	ELBOW, Fitting(45 deg.)			
29	N/A	KIT,Release Bearing Lubrication Includes Fittings (1)FGF-0173 (1)MLF-4144 Nut (1)MNU-0274 Nipple (1)MPN-4146 Elbows (2)EF42060 (1)MLF-4143			
30	MAK2104-105C137	YOKE (Use w/Fuller Transmission)			
31	MAK44AX115	FITTING,Grease			
32	MAK3088-12845	ELBOW, Fitting(1/8in x 1/8in) (90 deg.)			
33	MAK84AX190	CLEVIS(1/2in-20 Thd.) (1/2in pin)			
34	MAK33AX50	PIN			
35	MAK35AX735	WASHER, Return Spring Anchor			
36	FULA-3722	BELLHOUSING			



MACK BELL HOUSING COMPONENTS – BELL HOUSING COMPONENTS

KEY	OEM REFERENCE	DESCRIPTION	KEY	OEM REFERENCE	DESCRIPTION
1	MAK20QL245P1	INSULATOR	8	MAK204SX216	KIT,Rear Engine Mount (Premium) Includes Insulators (8) FMM-4676 Screws (4)QSC-4600 Nuts (4)QNT-4605 Washers (8)QWA-4595
1	MAK20QL1118A	INSULATOR	8	N/A	KIT,Rear Engine Mount (Fuller Transmission)(CH Model) Includes Insulators (8)FMM-4670 Screws (4)QSC-4599 Nuts (4)QNT-4605 Washers (8)WA-4595
1	MAK20QL1175	INSULATOR (Extra Oil Resistant)	8	MAK204SX389	KIT,Rear Engine Mount (Use with Fuller Transmission) (R/RD Model) Includes Insulators (8)FMM-4670 Screws (4)QSA-4597 Nuts (4)QNT-4605 Washers (8)QWA-4595
1	MAK20QL252P3	INSULATOR, Engine	9	MAK20QL37P4	INSULATOR, Engine(Front/Aux)
2	MAK158GB4609A	BRACKET (Left)	9	MAK8077380	BUSHING, Engine
2	MAK158GB4608A	BRACKET (Right)	10	MAK20QL324M	INSULATOR, Transmission (Superliner)
3	MAK27AM55	SCREW, Flanged Head(M20 x 2.5 x 180)	11	N/A	KIT,Bellhousing(Repair) Includes Screws (8)ESC-0135 Nuts (8)FNU-0269 Washers (16)FWA-0047 Spacers(1)QSP-1597 (1)QSP-1598
3	MAK1AX191	SCREW (3/4in-16 x 4-1/2in)	12	MAK11QL4830	SPACER,nTransmission Mount(Right)
3	MAK1AX127	SCREW (3/4in-16 x 5in)	13	MAK11QL4831	SPACER,Transmission Mount(Left)
3	MAK1AX339	SCREW (3/4in-16 x 5-1/2in)	14	MAK20QL338M	MOUNT,nRear Engine (Newer CH, RD, RB Models)
3	MAK1AX375	SCREW (3/4in-16 x 6in)			
3	MAK1AX201	SCREW (3/4in-16 x 6-1/4in)			
3	MAK1AX503	SCREW (3/4in-16 x 6-1/2in)			
4	MAK271AM5001	WASHER			
4	MAK15QD1132	WASHER(D)			
5	MAK191AM7	NUT, Locking Flanged (M20 x 2.5)			
5	MAK21AX440	NUT (3/4in-16)			
6	MAK20QL303	INSULATOR (New Design) (Extra Oil Resistant)			
7	MAK20QL197	INSULATOR, Auxiliary Trans(Front)			
8	MAK204SX216	KIT,Rear Engine Mount Includes Insulators (8)FMM-4670 Screws (4)QSC-4600 Nuts (4)QNT-4605 Washers (8)QWA-4595			

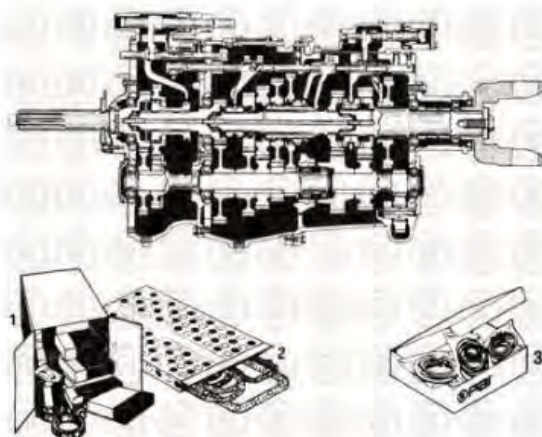
Continued



MACK BELL HOUSING COMPONENTS – BELL HOUSING COMPONENTS

Continued

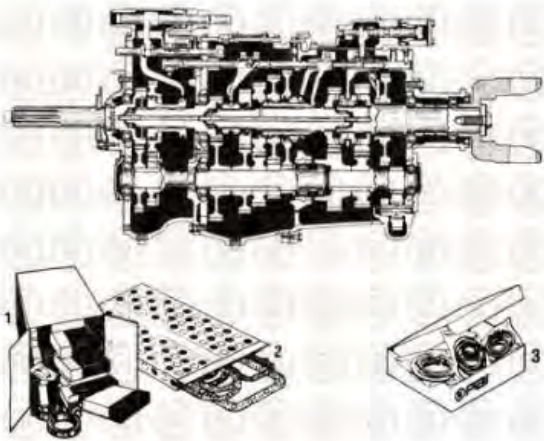
KEY	OEM REF.	DESCRIPTION
15	MAK20QL47AM	MOUNT, Rear Engine (Newer CH, CV, CX, CL Models)
15	MAK20499472	MOUNT, Rear Engine
16	MAK11AM29	SCREW (M20 x 2.5 x 140 Hex Head, 10.9 w/ patch lock)
17	MAK35AX1368	WASHER
18	MAK171AM7	NUT(M20 x 2.5 x 30)
19	N/A	KIT, Rear Engine Mount (Newer CH, CV, CX, CL Models w/ Mack or Fuller Transmissions) Includes Rear Mounts (2)803975 Screws (4)840031 Washers (8)FWA-0164 Nuts (4)FNU-0435
20	MAK71RU21717M	SPACER, Mount (Used w/ 803975 Mount)



MACK TRANSMISSIONS – TRTXL-107/1070 – 12 SPEED TRANSMISSION

KEY	OEM REF.	DESCRIPTION
1	MAK208SH104	KIT,Bearing and Seal(TRTXL-107, 12 Speed) Includes (1)GBG-0520 (6)GSP-3101 (1)GGS-3910 (1)GGS-3970 (1)GBG-6011 (1)GSL-6012 (3)GBG-6100 (1)GBG-6132 (1)GOS-6182 (1)GOS-6200 (3)GBG-6580 (3)GBG-6581 (1)GBG-6590 (2)GBG-6593 (3)GBG-6601 (3)GBG-6610 (1)GBG-6620 (1)GBG-6622 (3)GBG-6631 (3)GBG-6640 (1)GOS-6720 (1)GOS-6590 (1)GBG-7321 (1)GBK-6562-100 (1)GBK-6562-200)
1	MAK208SH104A	KIT,Bearing and Seal (Super Duty) Includes (1)GBG-0520 (1)GBG-6071 (1)GSL-6012 (3)GBG-6132 (1)GOS-6182 (1)GOS-6200 (3)GBG-6582 (3)GBG-6583 (1)GBG-6590 (2)GBG-6593 (3)GBG-6601 (3)GBG-6612 (1)GBG-6620 (1)GBG-6622 (3)GBG-6631 (3)GBG-6640 (1)GOS-6720 (1)GOS-6950 (1)GBG-7321 (1)GGS-3910 (6)GSP-3101 (3)GBG-6100 (1)GBK-6562-100 (1)GBK-6562-200 (1)GGS-3970)

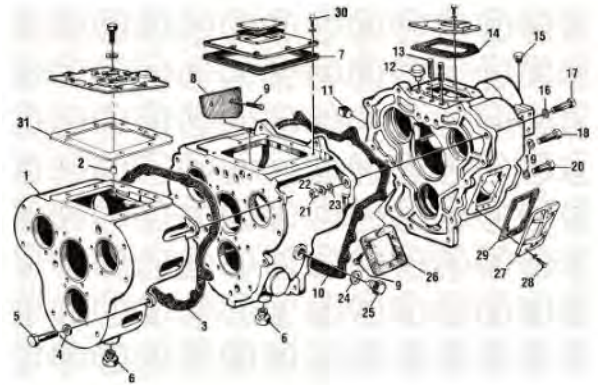
Continued



MACK TRANSMISSIONS – TRTXL-107/1070 – 12 SPEED TRANSMISSION

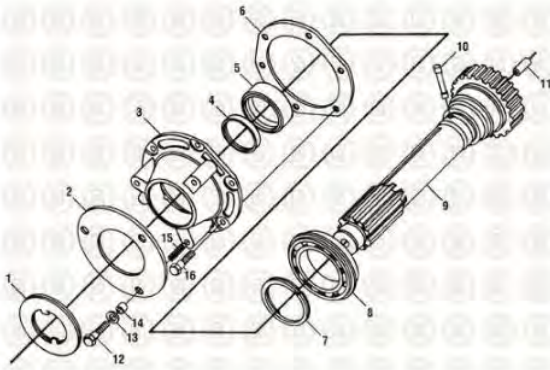
Continued

KEY	OEM REF.	DESCRIPTION
2	MAK207SH27A	KIT,Gasket, Transmission(TRTXL-107) Includes (1)BSR-0385 (3)GGA-2991 (3)GGA-2992 (3)GGA-2994 (1)GGS-3970-001 (1)GGS-3970-002 (1)GGS-3970-004 (1)GGS-3970-005 (1)GGS-3970-006 (1)GGS-3970-007 (2)GGS-3970-008 (1)EF64510-012 (2)GGS-3970-012 (1)GGS-3970-014 (1)GGS-3970-015 (1)GGS-3970-016 (1)GGS-3970-019 (1)GGS-3970-020)
2	N/A	KIT,Gasket, Transmission (Minor Rebuild) Includes (1)GGS-3970-002 (1)GGS-3970-005 (1)GGS-3970-006 (2)GGS-3970-012 (1)GGS-3970-016 (1)EF64510-010)
3	MAK208SH102	KIT,O-Ring/Retaining Ring Includes (1)GRI-2701 (1)GRI-2702 (1)GRI-2703 (3)GRI-2704 (3)GRI-2707 (2)GRI-2717 (4)GRI-2718 (1)GRI-2794 (1)ESR-2832 (1)GGA-2993 (2)BGA-3003 (3)BGA-3004 (3)BGA-3005 (2)BGA-3006 (2)BGA-3007 (2)BGA-3008 (6)BGA-3009 (1)GRK-3973-100)



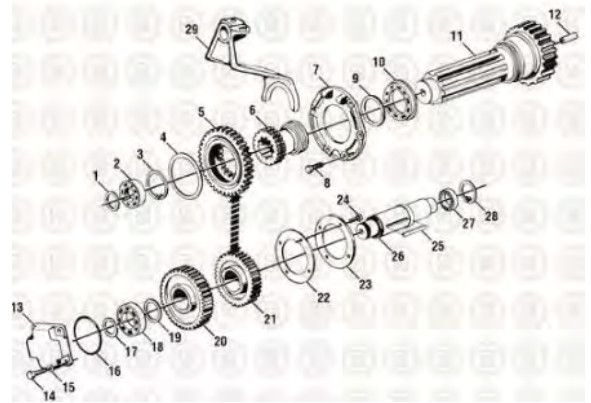
MACK TRANSMISSIONS – TRTXL-107/1070 – COMPOUND, MAIN AND REAR CASE ASSEMBLY

KEY	OEM REF.	DESCRIPTION
1	MAK281KB114	CASE, Compound
2	MAK150KB121	BUSHING, Compound
3	MAK617KB45	GASKET, Compound
4	MAK711GC1100P6	WASHER
5	MAK4AX289	SCREW,Case Mounting (1/2in-13 x 2in)
5	MAK6AX1260	SCREW
6	MAK49AX235	PLUG,Drain
7	MAK618KB32A	GASKET
8	MAK414KB118	COVER, Oil Cleaner
9	MAK6AX1359X	SCREW(3/8in-16 x 1in)
10	MAK617KB44	GASKET
11	MAK63AX1041	PLUG, Fill
12	MAK541KB29	BREATHER
13	MAK150KB164P1	BUSHING
14	MAK616KB36AP2	GASKET
15	MAK366KC126	PLUG, Reverse Switch
16	MAK37AX98	WASHER
17	MAK90KB111A	SCREW, Dowel
18	MAK6AX1325	SCREW
19	MAK37AX474	WASHER
20	MAK6AX1327	SCREW
21	MAK20AX5	NUT (1/2in-20)
22	MAK36AX5	WASHER, Lock
23	MAK37AX10	WASHER, Flat
24	MAK57AX45	GASKET
25	MAK49AX133	PLUG, Magnetic
26	MAK412KB213P3	COVER, PTO(R.H.)(6 hole)
27	FUL16596	COVER, PTO(L.H.)(8 hole)
28	MAK6AX1316	SCREW
29	MAK648KB23	GASKET, PTO Cover
30	MAK6AX1306X	SCREW, Cover Mounting (3/8in-16 x 7/8in)
31	MAK616KB37	GASKET, Cover, Compound



MACK TRANSMISSIONS – TRTXL-107/1070 – INPUT SHAFT COMPONENTS

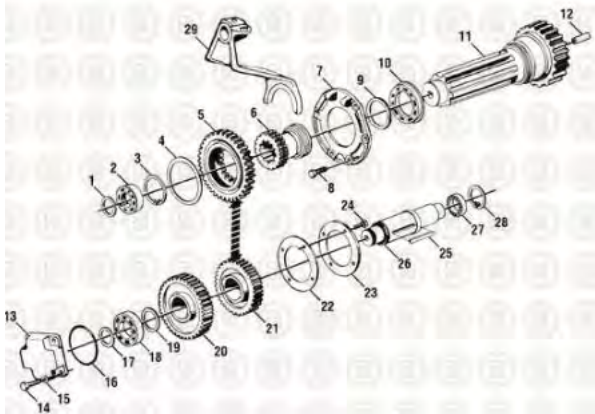
KEY	OEM REF.	DESCRIPTION
1	MAK495KB241P1	BRAKE, Clutch Disc
2	MAK351KC222	PLATE, Clutch Brake
3	MAK403KB271P1	COVER
4	MAK88AX454	SEAL
5	MAK789KC117	SLEEVE, Oil Pump
6	MAK628KB310P1	GASKET (.015in thk)
6	MAK628KB310P2	GASKET (.032in thk)
7	MAK97AX226	RING, Retaining
8	MAK46AX482	BEARING
9	MAK764KB468E	GEAR Includes Tube (1)GTB-0480
10	MAK432KC13	PISTON, Oil Pump
11	MAK186KD129	TUBE, Oil
12	MAK86KB15	SCREW
13	MAK226KD112	WASHER
14	MAK796KC128	SLEEVE
15	MAK107KD158A	SPRING
16	MAK6AX1317X	SCREW(7/16in-14 x 1-1/4in)



MACK TRANSMISSIONS – TRTXL-107/1070 – COMPOUND CASE COMPONENTS

KEY	OEM REF.	DESCRIPTION
1	MAK97AX54	RING, Retaining
2	MAK67AX311	BEARING
3	MAK97AX125	RING, Retaining
4	MAK233KD26A	WASHER, Thrust
5	MAK751KB3198B	GEAR, Lo Range
6	MAK320KB332F	CLUTCH, Lo/Direct
7	MAK403KB49	COVER
8	MAK6AX1317X	SCREW (7/16in-14 x 1-1/4in)
9	MAK97AX226	RING, Retaining
10	MAK46AX410	BEARING
11	MAK764KB4140B	GEAR, Main Drive (w/o Oil Hole)
11	MAK764KB1229	GEAR, Main Drive
12	MAK186KD129	TUBE, Oil
13	MAK399KB244A	COVER
14	MAK6AX1308X	SCREW (3/8in-16 x 1-1/4in)
15	MAK37AX472U	WASHER
16	MAK56AX352	O-RING
17	MAK97AX181	RING, Retaining
18	MAK46AX303	BEARING
18	MAK67AX345	BEARING, Roller (Opt.) (Extreme Service)
19	MAK503KC12	RING, Retaining
20	MAK757KB323A	GEAR, C/S, Main Drive
21	MAK757KB330A	GEAR, C/S, Lo
22	MAK742KC26P1	SHIM (.025in thk)
22	MAK742KC26P2	SHIM (.005in thk)
23	MAK223KD27A	WASHER, Thrust
24	MAK6AX1359X	SCREW (3/8in-16 x 1in)
25	MAK42AX629	KEY
26	MAK605KC246	COUNTERSHAFT, Compound (TRTXL-107)

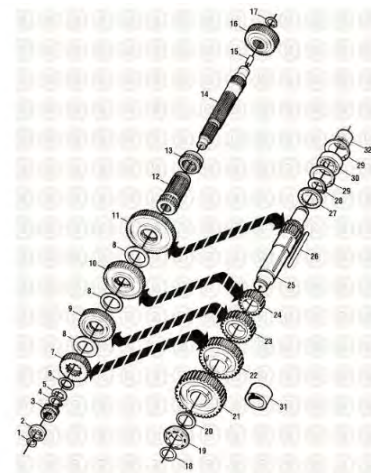
Continued



MACK TRANSMISSIONS – TRTXL-107/1070 – COMPOUND CASE COMPONENTS

Continued

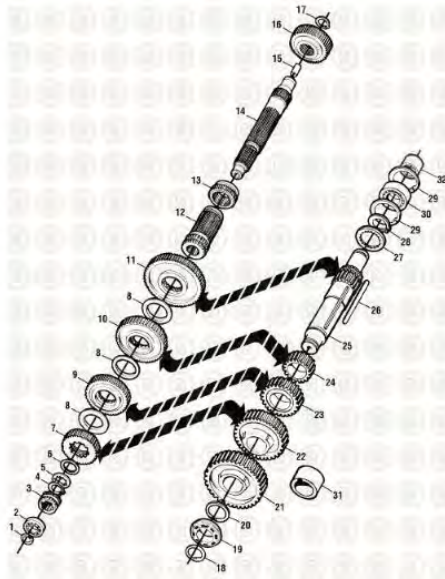
KEY	OEM REF.	DESCRIPTION
26	MAK605KC248	COUNTERSHAFT, Compound (TRTXL-1070)
27	MAK46AX64	BEARING
28	MAK97AX166	RING, Retaining
29	MAK575KB42C	FORK, Compound(w/ Hole)



MACK TRANSMISSIONS – TRTXL-107/1070 – MAIN CASE COMPONENTS

KEY	OEM REF.	DESCRIPTION
1	MAK97AX54	RING, Retaining
2	MAK46AX511	BEARING
3	MAK320KB2126A	CLUTCH, 4th/5th
4	MAK97AX238	RING, Retaining
5	MAK228K-D236AP245	WASHER, Thrust (Dash No. indicates thickness size by inches)
5	MAK228K-D236AP260	WASHER, Thrust (Dash No. indicates thickness size by inches)
5	MAK228K-D236AP275	WASHER, Thrust (Dash No. indicates thickness size in inches)
6	MAK233KD25	WASHER, Thrust
7	MAK751KB3109B	GEAR, 4th
8	MAK233KD246	WASHER, Thrust
8	MAK233KD24	WASHER, Thrust
9	MAK751KB3108A	GEAR, 3rd(Use w/ GWA-5981)
9	MAK751KB3358	GEAR, 3rd(Use w/ GWA-5974)
10	MAK751KB3106B	GEAR, 2nd
11	MAK751KB3476	GEAR, 1st
12	MAK320KB340B	CLUTCH, 2nd/3rd
13	MAK320KB2116A	CLUTCH, 1st
14	MAK615KC4180	SHAFT,Main (.141in Retaining Ring Groove) Includes GTB-0480
15	MAK186KD129	TUBE, Oil
16	MAK764KB3203B	GEAR, Main Drive
16	MAK764KB3242	GEAR, Main Drive (TRTXL-1070) (Mates w/ GGB-2602 Clutch)
16	MAK764KB3266	GEAR, Main Drive (TRTXL-1070B) (Mates w/ GGB-2612 Clutch)
17	MAK97AX152	RING, Retaining
17	MAK97AX89	RING, Retaining
18	MAK97AX181	RING, Retaining

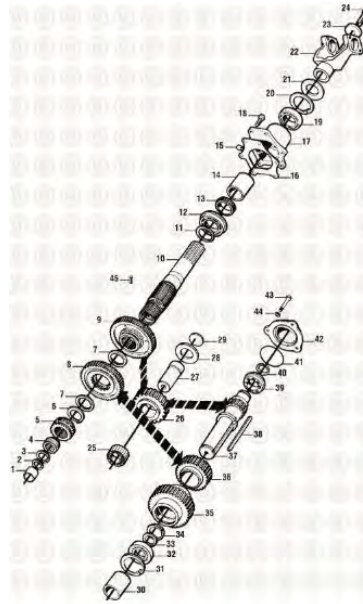
Continued



MACK TRANSMISSIONS – TRTXL-107/1070 – MAIN CASE COMPONENTS

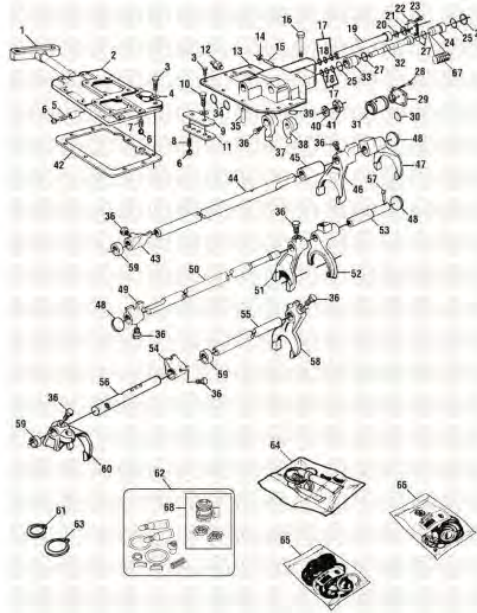
Continued

KEY	OEM REF.	DESCRIPTION	KEY	OEM REF.	DESCRIPTION
19	MAK46AX303	BEARING	27	MAK228KD237P233	WASHER, Thrust (Dash No. indicates thickness size by inches)
19	MAK46AX508	BEARING (Opt.) (Large Dia. Retaining Ring)	27	MAK228KD237P248	WASHER, Thrust (Dash No. indicates thickness size by inches)
19	MAK67AX346	BEARING, Roller (Opt.) (Extreme Service)	27	MAK228KD237P263	WASHER, Thrust (Dash No. indicates thickness size by inches)
20	MAK503KC12	RING, Retaining	28	MAK97AX151	RING, Retaining
21	MAK757KB321A	GEAR, Countershaft, Main Drive	29	MAK97AX171	RING, Retaining
22	MAK757KB316A	GEAR, Countershaft, 4th	30	MAK67AX321	BEARING
23	MAK757KB242A	GEAR, Countershaft, 3rd	31	MAK31KD2109A	SPACER, Countershaft (Opt.) (Used w/Gear w/o Hub) (1-9/16in Lg.)
24	MAK757KB243A	GEAR, Countershaft ,2nd	31	MAK31KD2109AP4	SPACER, Countershaft (Opt.) (Used w/Gear w/o Hub) (1-15/16in Lg.)
25	MAK605KC3104A	COUNTERSHAFT, Front	32	MAK80AX774	SPACER
26	MAK42AX613	KEY			
27	MAK228KD237P143	WASHER, Thrust (Dash No. indicates thickness size by inches)			
27	MAK228KD237P158	WASHER, Thrust (Dash No. indicates thickness size by inches)			
27	MAK228KD237P173	WASHER, Thrust (Dash No. indicates thickness size by inches)			
27	MAK228KD237P188	WASHER, Thrust (Dash No. indicates thickness size by inches)			
27	MAK228KD237P203	WASHER, Thrust (Dash No. indicates thickness size by inches)			
27	MAK228KD237P218	WASHER, Thrust (Dash No. indicates thickness size by inches)			



MACK TRANSMISSIONS – TRTXL-107/1070 – REAR CASE COMPONENTS

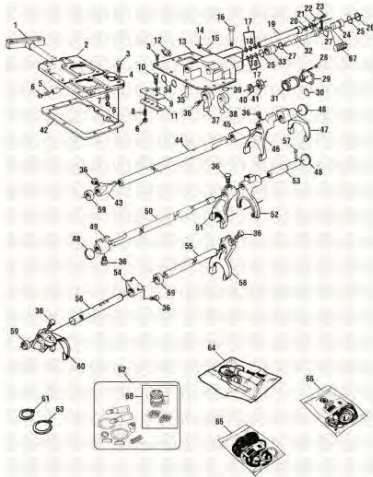
KEY	OEM REF.	DESCRIPTION	KEY	OEM REF.	DESCRIPTION
1	MAK441KC14	RACE, Bearing	25	MAK67AX310	BEARING
2	MAK97AX233	RING, Retaining	26	MAK751KB257B	GEAR, Reverse Idler
3	MAK97AX231	RING, Retaining	27	MAK611KC118	SHAFT, Reverse Idler
4	MAK67AX320	BEARING	28	MAK233KD112A	WASHER, Thrust
5	MAK320KB3119	CLUTCH, Lo/Direct	29	MAK79AX39	PLUG
6	MAK97AX91	RING, Retaining	30	MAK80AX774	SPACER
7	MAK228KD220	WASHER, Thrust	31	MAK97AX171	RING, Retaining
8	MAK751KB3494	GEAR, Lo Range(Current)	32	MAK67AX291	BEARING
9	MAK736KB318A	GEAR, Reverse	33	MAK97AX239	RING, Retaining
10	MAK615KC233B	SHAFT, Main, Rear (TRTXL-1070) (For Coarse Spline Yoke)	34	MAK97AX83	RING, Retaining
10	MAK615KC228A	SHAFT, Main, Rear (TRTXL-1070) (For Fine Spline Yoke)	35	MAK757KB3137A	GEAR, Countershaft, Main Drive (TRTXL-1070)
11	MAK742KC29	SHIM	35	MAK757KB352B	GEAR, Countershaft, Main Drive (TRTXL-107)
12	MAK46AX410	BEARING	36	MAK757KB355	GEAR,C/S,Lo Range
13	MAK291KD215	GEAR, Speedometer	37	MAK605KC3183A	COUNTERSHAFT, Rear
14	MAK31KD236	SPACER	37	MAK605KC3184A	COUNTERSHAFT, Rear (Use for PTO Drive)
15	MAK153KB15	BUSHING	38	MAK42AX628	KEY
16	MAK628KB312AP2	GASKET (.031in thk)	39	MAK46AX483	BEARING
16	MAK628KB312AP1	GASKET (.015in thk)	39	MAK67AX344	BEARING,Roller (Opt.) (Extreme Service)
17	MAK406KB152B	COVER	40	MAK97AX181	RING, Retaining
18	MAK6AX1396X	SCREW (5/8in-11 x 1-1/2in)	41	MAK56AX431	O-RING (L.H./Low)
19	MAK67AX322	BEARING	41	MAK56AX353	O-RING (R.H.)
20	MAK97AX232	RING, Retaining	42	MAK399KB248A	COVER
21	MAK88AX391P2	SEAL	43	MAK6AX1317X	SCREW (7/16in-14 x 1-1/4in)
22	MAK171MU52P18	YOKE, Drive (2-1/2in x 10 Spline, 3-1/2in Dia. Hub)	44	MAK35AX1542	WASHER
23	MAK297KB124P1	CLAMP	45	MAK31AX644	PIN,Mainshaft
24	MAK3AX1803X	SCREW(7/8in-14 x 3in)			



MACK TRANSMISSIONS – TRTXL-107/1070 – SHIFTER COMPONENTS

KEY	OEM REF.	DESCRIPTION	KEY	OEM REF.	DESCRIPTION
1	MAK136KC25BP1	INTERLOCK	28	MAK6AX1314	SCREW
1	MAK136KC312	INTERLOCK	29	MAK414KB2127	COVER
2	MAK393KB420A	COVER	30	MAK541KB19	BREATHER
3	MAK6AX1308X	SCREW (3/8in-16 x 1-1/4in)	31	MAK476KB316A	CYLINDER, Airshift
4	MAK37AX265	WASHER	32	MAK591KC2322	RAIL, Direct (TRTXL-1070)
5	MAK107KD140	SPRING	32	MAK591KC2294B	RAIL, Direct (TRTXL-107)
6	MAK48AX17	BALL	33	MAK336KC265	PISTON, Direct
7	MAK107KD116	SPRING	34	MAK79AX75Z	PLUG
8	MAK107KD157	SPRING	35	MAK502KB113	DOWEL
9	MAK413KB13	COVER	36	MAK7AX264X	SCREW, Lock (Dog Point)
10	MAK6AX1359X	SCREW (3/8in-16 x 1in)	37	MAK170KC276	LEVER, Reverse
11	MAK628KB124	GASKET	38	MAK170KC292	LEVER, Direct
12	MAK1MR2297	SWITCH, Reverse	39	MAK79AX58	PLUG
13	MAK408KB217A	COVER	40	MAK35AX1028	WASHER
14	MAK49AX234Z	PLUG	41	MAK22AX40	NUT
15	MAK136KC120	PLUNGER	42	MAK616KB37	GASKET, Cover, Compound
16	MAK6AX1313	SCREW	43	MAK699KC2132C	SHIFTER, 1st/Reverse
17	MAK56AX438	O-RING, Lo/Direct Shift (4 Req'd)	44	MAK591KC2266A	RAIL, 1st/Reverse(TRTXL-1070)
18	MAK56AX436	O-RING, Lo/Direct Range Shift (2 Req'd)	45	MAK31KD1151	SPACER
19	MAK591KC2283A	RAIL, Reverse	46	MAK575KB3128A	FORK, 1st
20	MAK56AX437	O-RING	47	MAK575KB3153	FORK, Reverse
21	MAK56AX434	O-RING	48	MAK79AX35	PLUG (1in Welch)
22	MAK414KB262	COVER	49	MAK699KC2126C	SHIFTER, 2nd/3rd
23	MAK6AX1292X	SCREW	50	MAK591KC2277B	RAIL, 2nd/3rd(TRTXL-107)
24	MAK336KC232	PISTON, Lo Range	50	MAK591KC2281A	RAIL, 2nd/3rd(TRTXL-1070)
25	MAK56AX441	O-RING, Direct Shift (2 Req'd)	51	MAK575KB3130A	FORK, 2nd/3rd
26	MAK56AX439	O-RING(2 Req'd)	52	MAK575KB3170B	FORK, Direct
27	MAK56AX440	O-RING(2 Req'd)			

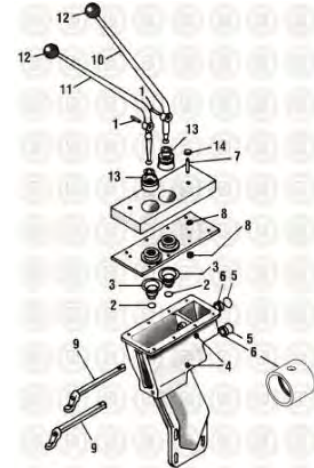
Continued



MACK TRANSMISSIONS – TRTXL-107/1070 – SHIFTER COMPONENTS

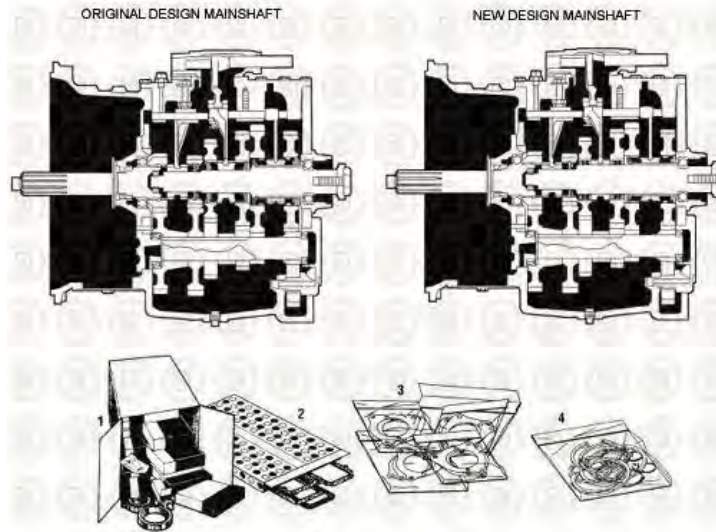
Continued

KEY	OEM REF.	DESCRIPTION
53	MAK591KC2327A	RAIL, Direct
54	MAK699KC2148	SHIFTER, 4th/5th
55	MAK591KC2214A	RAIL, 4th/5th (TRTXL-107)
55	MAK591KC2228A	RAIL, 4th/5th (TRTXL-1070)
56	MAK591KC2232P1	RAIL, Compound (TRTXL-1070)
56	MAK591KC325	RAIL, Compound (TRTXL-107)
57	MAK7AX265X	SCREW
58	MAK575KB394H	FORK, 4th/5th
59	MAK88AX370P3	SEAL
60	MAK575KB42C	FORK, Compound
61	MAK97AX121	RING, Retaining
62	MAK14RC1131	KIT, Valve, Major
63	MAK97AX126	RING, Retaining
64	MAK14RC1130	KIT, Valve, Minor
65	MAK342SH594	KIT, Retaining Ring Includes Rings (1)GRI-2701 (1)GRI-2703 (1)GRI-2711 (1)GRI-2712 (1)GRI-2713 (3)GRI-2715 (3)GRI-2716 (1)GRI-2719 (1)GRI-2731 (1)GRI-2732 (3)GRI-2734 (9)GRI-2735 (1)ESR-2832 (1)GRI-2733 (3)GRI-2704 (1)GRI-2702 (6)GRI-2706 (12)GRI-2707 (1)GRI-2714 (2)GRI-2717 (4)GRI-2718 (1)GRI-2794
66	MAK207SH32	KIT,O-Ring Includes O-Rings (2)BGA-3004 (1)BGA-3003 (4)BGA-3008 (2)BGA-3005 (4)BGA-3009 (2)BGA-3006 (1)GGA-2993 (1)BGA-3007 (1)ER64420 Lubricant (1)GSL-0383 Breather (1)ER64420
67	MAK107KD1172	SPRING (TRTXL-1070)
68	MAK9054-P58987	ROTOR



MACK TRANSMISSIONS – TRTXL-107/1070 – REMOTE SHIFTER

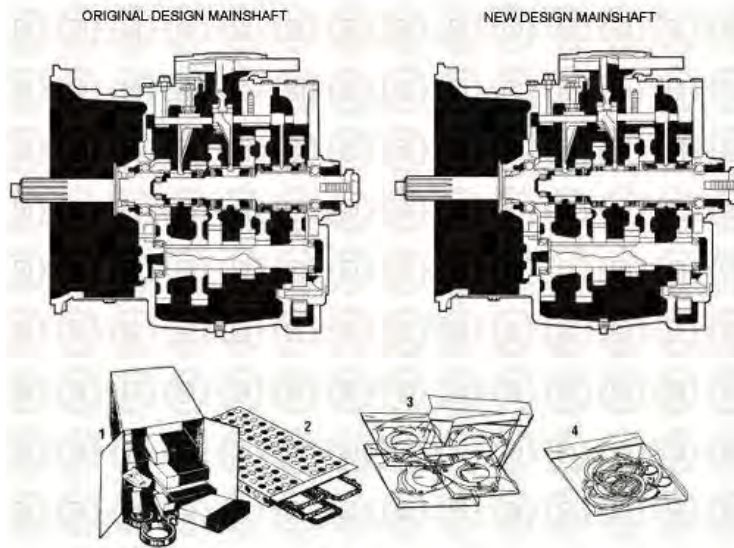
KEY	OEM REF.	DESCRIPTION
1	MAK305KC17A	PIN, Shift Lever
2	MAK97AX70	RING, Retaining
3	MAK57QL178C	SPRING
4	MAK44AX115	FITTING, Grease
5	MAK88AX349P3	SEAL
6	MAK80AX767	BUSHING, Shift Rail, Remote
7	MAK96AX431	ROD
8	MAK20AX1	NUT (1/4in-28)
9	MAK31RG235AP3	RAIL, Shift (Compound & Main)
10	MAK168KC3603P3	SHIFTER (Main) (MR & Late MB Models)
11	MAK168KC3573	LEVER (Compound)
12	MAK25MY23P1	KNOB
13	MAK8MY219	BOOT
14	MAK21AX347	NUT



**MACK TRANSMISSIONS – T2050 - 5 SPEED
TRANSMISSION – T2050**

KEY	OEM REF.	DESCRIPTION	1	N/A	Kit,Bearing and Seal (Original Design Mainshaft)
1	MAK208SH100	KIT,Bearing and Seal (New Design Mainshaft) Includes Bearings (3)GCU-6036 (3)GBG-6037 (3)GBG-6071 (2)GBG-6102 (1)GBG-6593 (1)GBG-6620 (3)GBG-6035 (3)GCU-6038 (1)BBG-7642 Gasket Kit (1)GGS-3971 Ring Kit (1)GBK-6573-100 Rings,Retaining (1)GRI-2824 (1)GRI-2834 Washers (3)GWA-5972 (3)GWA-5973 (1)GWA-5984 (1)GTW-5999 (4)GTW-5998 (4)GWA-5983 Springs (1)GSP-1672 (2)GSP-1673 (3)GSP-1676 Balls (4)GDB-1665 (3)GDB-1666 Plugs (1)GKP-3448 (1)GCP-3495 (1)GPP-3578 (3)GKP-3492 (4)GCP-3495 (2)GPP-3571 Bushing (1)GBG-0520 Pin (1)GPN-5112 (1)GPN-1654 Screws (4)GSC-6116 Shim Kit (1)GBK-6573-400 Plunger (1)GPL-2519			Includes Bearings (1)GBG-6593 (3)GBG-6037 (3)GBG-6071 (2)GBG-6102 (1)GBG-6620 (3)GBG-6035 (3)GCU-6038 (3)GCU-6036 (1)BBG-7642 Seals (1)GOS-6720 (1)GOS-6951 (3)GOS-6201 Gaskets (1)GGK-3924 (1)GGK-3921 (1)GGK-3836 O-Ring Kit (1)GBK-6565-200 O-Ring (3)GGA-2942 (3)GGA-2955 (1)321229 Ring Kit (1)GRK-6573-100 Rings (2)GRI-2817 (1)GRI-2824 (2)GRI-2733 (1)GRI-2711 (1)GRI-2701 (1)GRI-2786 Washers (3)GWA-5973 (1)GWA-5984 (1)GWA-5983 (3)GWA-5972 (1)GTW-5999 (1)GTW-5998 (3)GWA-5976 (3)GWA-5978 (1)GWA-5993 (1)GWA-5985 Springs (1)GSP-1672 (2)GSP-1673 (3)GSP-1676 Balls (4)GDB-1665 (3)GDB-1666 Plugs (1)GKP-3488 (2)GPP-3571 (1)GCP-3495 (4)GCP-3484 (1)GPP-3578 Pins (1)GPN-1654 (2)GPN-5112 Screws (4)GSC-6116 Shim Kit (1)GBK-6573-400 Sealant (1)BSR-0385 Plunger (1)GPL-2519

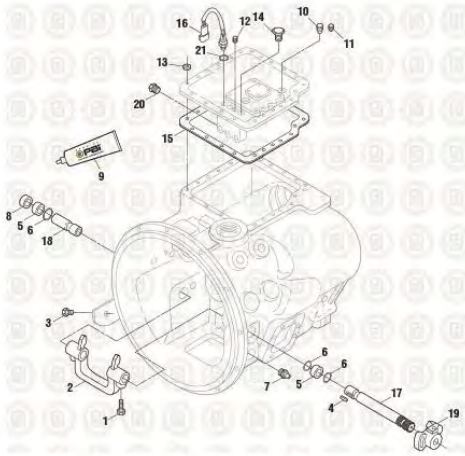
Continued



**MACK TRANSMISSIONS – T2050 - 5 SPEED
TRANSMISSION – T2050**

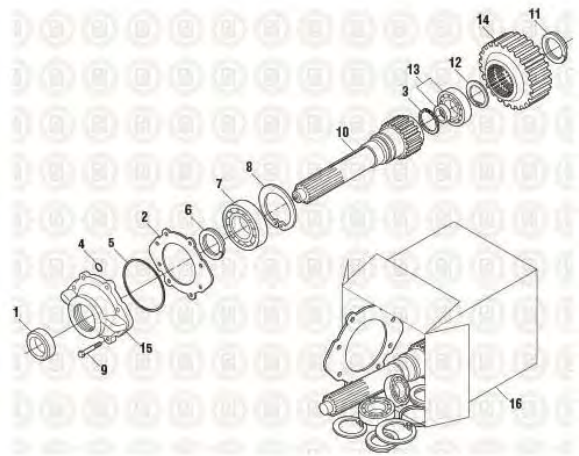
Continued

KEY	OEM REF.	DESCRIPTION	5	N/A	KIT,Small Parts
2	MAK207SH28	KIT,Gasket Includes Gaskets (1)GGK-3836 (1)GGS-3970-012 Seals (3)GOS-6201 (1)GOS-6702 (1)GOS-6951 O-Rings (1)BGA-2500 (1)GGA-2941 (3)GGA-2942 (1)GGA-244 (2)GGA-2945 (3)GGA-2955 (1)321229 Sealant (1)BSR-0385			Includes Balls (4)GDB-1665 (3)GDB-1666 Springs (1)GSP-1672 (2)GSP-1673 (3)GSP-1676 Plugs (4)GCP-3484 (1)GKP-3488 (1)GCP-3495 (2)GPP-3571 Pins (2)GPN-5112 Screws (4)GSC-6116
2	N/A	KIT,Gasket Includes Gaskets (1)GGS-3970-012 (1)GGK-3836 Seals (3)GOS-6201 O-Rings (2)EGA-3877 (3)GGA-2955 (1)BGA-2500 (1)GGA-2944 (1)GGA-2941 (3)GGA-2942 (1)321229			
2	N/A	KIT,Gasket Includes Gaskets (1)GGK-3836 (1)GGK-3921 (1)GGK-3924 O-Rings (3)GGA-2942 (3)GGA-2955 Plug (1)GPP-3578 Seal (3)GOS-6201			
3	N/A	KIT,Shim Includes Shims (3)GSH-5995-003 (3)GSH-5995-015 (3)GSH-5995-030 (3)GSH-5995-006			
4	N/A	KIT,Retaining Rings Includes Rings,Retaining (1)GRI-2714 (1)GRI-2798 (1)GRI-2797 (1)ESR-2832 (1)GRI-2701 (2)GRI-2733 (2)GRI-2785 (2)GRI-2734 (1)GRI-2784 (1)GRI-2719 (1)GRI-2786 (1)GRI-2816 (2)GRI-2817			



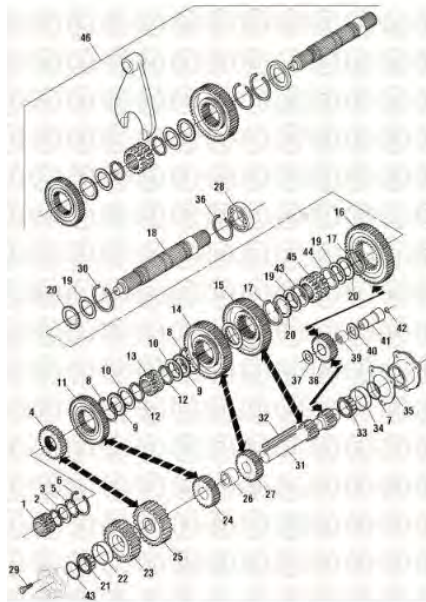
MACK TRANSMISSIONS – T2050 – CASE AND COVER ASSEMBLIES

KEY	OEM REF.	DESCRIPTION
1	MAK7AX264X	SCREW, Lock (Dog Point)
2	MAK301KD43B	YOKE, Clutch Release
3	MAK6AX1359X	SCREW (3/8in-16 x 1in)
4	MAK43AX41	KEY
5	MAK67AX204	BEARING (2 Req'd) TOF B-1612
6	MAK88AX349P3	SEAL
7	MAK44AX115	FITTING, Grease (1/8in x 27 Thread)
8	MAK79AX71	PLUG (1-1/4in Cup)
9	MAK3092340	SEALANT, Silicone Rubber (Cartridge gun tube 310 ml)
9	MAK342SX32	SEALANT, Silicone Rubber
10	MAK49AX259	PLUG, Pivot
11	MAK49AX262	PLUG, Shift Rail
12	MAK79AX57X	PLUG (7/8in Cup)
13	MAK37AX7U	WASHER
14	MAK541KB25	BREATHER
15	MAK629KB411	GASKET, Cover
16	MAK1MR2297	SWITCH, Reverse
16	MAK1MR3481M	SWITCH, Reverse (w/ Plug) (Normally Opened)
17	MAK604KC34A	SHAFT, Clutch Release
18	MAK604KC277A	SHAFT, Clutch Release
19	MAK14RU265B	LEVER, Adjusting (Straight Side Spline)
19	MAK4RU362	LEVER, Adjusting (Involute Spline)
20	MAK49AX234Z	PLUG
21	MAK56AX381	O-RING



MACK TRANSMISSIONS – T2050 – INPUT SHAFT COMPONENTS

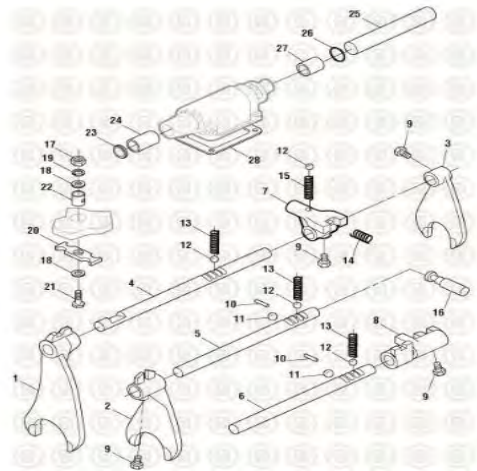
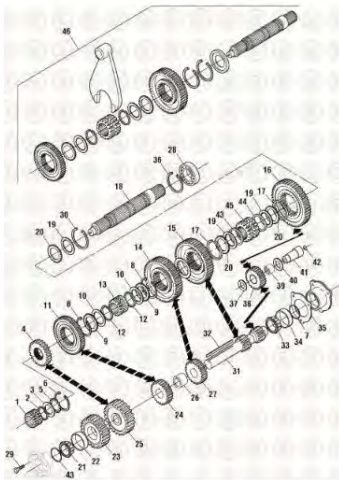
KEY	OEM REF.	DESCRIPTION
1	MAK88AX454	SEAL, Oil
2	MAK629KB328B	GASKET, Front Cover
3	MAK97AX54	RING, Retaining
4	MAK56AX543	O-RING, Cover
5	MAK56AX347	O-RING, Cover
6	MAK97AX226	RING, Retaining
7	MAK46AX410	BEARING, Main Drive
8	MAK97AX262	RING, Retaining
9	MAK6AX1317X	SCREW (7/16in-14 x 1-1/4in)
10	MAK764KB4203E	GEAR, Main Drive
11	MAK97AX260	RING, Retaining
12	MAK97AX125	RING, Retaining
13	MAK67AX311	BEARING
14	MAK764KB3267A	GEAR, Main Drive
15	MAK403KB295	COVER, Main Drive
16	N/A	KIT, Input Shaft (w/o Oil Pump and w/o Flywheel PTO units) Includes Main Drive Gear (1)EM67350 Gasket (1)GGK-3921 Seal (1)EM67200 Rings (1)GRI-2714 (1)GRI-2798 (1)GRI-2701 (1)ESR-2832 (1)GRI-2797 Bearings (1)EM65930 (1)EM66200



MACK TRANSMISSIONS – T2050 – MAIN CASE COMPONENTS - ORIGINAL MAINSHAFT DESIGN

KEY	OEM REF.	DESCRIPTION	KEY	OEM REF.	DESCRIPTION
1	MAK320KB3136	CLUTCH, Sliding	25	MAK757KB444A	GEAR, Countershaft,5th
2	MAK97AX238	RING, Retaining	26	MAK31KD2109AP2	SPACER, Countershaft (1-5/8in thk.)
3	MAK223KD241	WASHER,Thrust	27	MAK757KB2110	GEAR, Countershaft, 2nd
4	MAK751KB3450A	GEAR, Mainshaft,5th	28	MAK46AX490	BEARING
5	MAK223KD317A	WASHER,Thrust	29	MAK6AX1317X	SCREW (7/16in-14 x 1-1/4in)
6	MAK97AX266	RING, Retaining	30	MAK97AX158	RING, Retaining, Bearing
7	MAK56AX508	O-RING, Countershaft, Rear Bearing Retainer	31	MAK605KC474A	COUNTERSHAFT (w/o Rear PTO)
8	MAK97AX267	RING, Retaining	32	MAK42AX643	KEY
9	MAK223KD316A	WASHER, Thrust	33	MAK62AX487	CONE
10	MAK223KD249	WASHER, Thrust	34	MAK64AX292	CUP
11	MAK751KB3490	GEAR, Mainshaft, 3rd (When replacing Original design (751KB3370) (When replacing Original design (751KB3370)	35	MAK741KC321BP3	SHIM (.003in thk)
12	MAK97AX151	RING, Retaining	35	MAK741KC321BP6	SHIM (.006in thk)
13	MAK320KB3137A	CLUTCH, Sliding	35	MAK741KC321BP15	SHIM (.015in thk)
14	MAK751KB3372A	GEAR, Mainshaft, 2nd	35	MAK741KC321BP30	SHIM (.030in thk)
15	MAK751KB3468	GEAR, Mainshaft, 1st	36	MAK97AX274	RING, Retaining
16	MAK751KB3376A	GEAR, Mainshaf, Reverse	37	MAK223KD262P2	WASHER, Thrust
17	MAK97AX272	RING, Retaining, Reverse Gear Thrust Washer	38	MAK751KB284	GEAR, Reverse Idler
18	MAK615KC4202	MAINSHAFT	39	MAK67AX334	BEARING
19	MAK223KD248	WASHER, Thrust, 1st/Reverse	40	MAK223KD262	WASHER, Thrust
20	MAK223KD318A	WASHER, Thrust, 1st/Reverse	41	MAK611KC230	SHAFT, Reverse Idler
21	MAK62AX489	CONE	42	MAK79AX39	PLUG, Expansion
22	MAK64AX294	CUP	43	MAK56AX539	O-RING, Countershaft, Forward Bearing Retainer
23	MAK757KB445	GEAR, Countershaft, Maindrive	44	MAK97AX159	RING, Retaining
24	MAK757KB3321	GEAR, Countershaft, 3rd	45	MAK320KB3138A	CLUTCH, Sliding

Continued



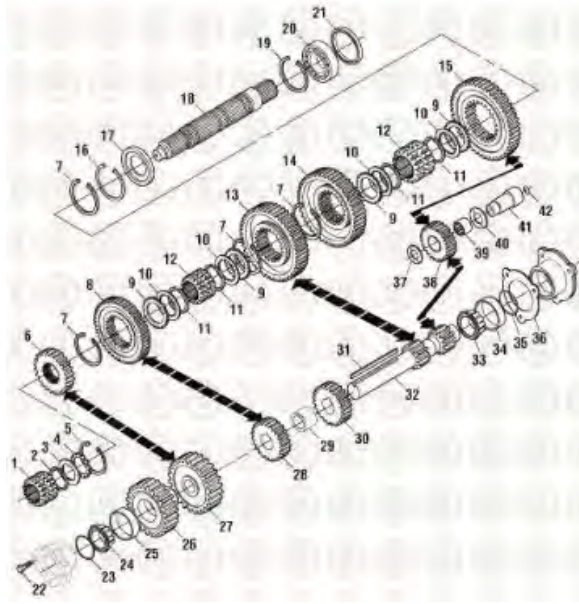
MACK TRANSMISSIONS – T2050 – MAIN CASE COMPONENTS - ORIGINAL MAINSHAFT DESIGN

Continued

KEY	OEM REF.	DESCRIPTION
46	N/A	KIT, Mainshaft Update Includes Gears (1)GGB-6467 (1)GGB-6478 Washers (2)GWA-5983 (2)GTW-5998 Rings (2)GRI-2734 (2)GRI-2785 (1)GRI-2834 Clutch (1)GGB-2534 Spacer (1)GSP-5969 Mainshaft (1)GMS-6688 Fork (1)GSF-0634

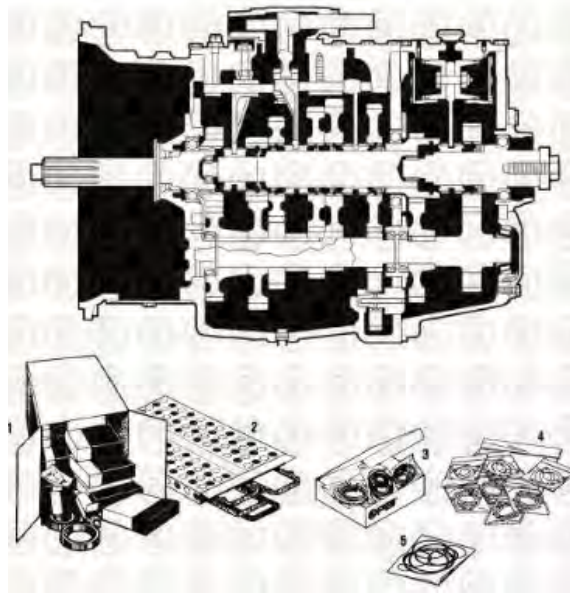
MACK TRANSMISSIONS – T2050 – SHIFTER COMPONENTS

KEY	OEM REF.	DESCRIPTION
1	MAK575KB3303C	FORK, Shift (4th/5th)
2	MAK575KB3320D	FORK, Shift (2nd/3rd)
3	MAK575KB3330B	FORK, Shift (1st/Rev.) (Original Design)
3	MAK575KB3306B	FORK, Shift (1st/Rev.) (New Design)
4	MAK591KC3120	RAIL, Shift (1st/Rev.)
5	MAK591KC3100	RAIL, Shift (2nd/3rd)
6	MAK591KC3127	RAIL, Shift (4th/5th)
7	MAK699KC328	SHIFTER (1st/Rev.)
8	MAK699KC329A	SHIFTER (4th/5th)
9	MAK7AX264X	SCREW, Lock (Dog Point)
10	MAK301KC242	PIN, Interlock
11	MAK48AX12	BALL, Detent (3/4in Dia.)
12	MAK48AX17	BALL, Detent (1/2in Dia.)
13	MAK107KD157	SPRING
14	MAK107KD118	SPRING
15	MAK107KD116	SPRING
16	MAK411KC18A	PLUNGER
17	MAK21AX28	NUT
18	MAK3AX1446X	WASHER, Lock
19	MAK36AX5	WASHER, Lock
20	MAK521KC13	ROCKER
21	MAK3AX1859	BOLT, Hex (1/2in-20 x 2-1/2in)
21	MAK311KC27B	PIN, Pivot
22	MAK31KD2169	SPACER, Rocker Pivot Pin
23	MAK79AX42	PLUG
24	MAK80AX762	BUSHING
25	MAK591KC2244A	RAIL, Shift
26	MAK88AX311P4	SEAL
27	MAK80AX747	BUSHING
28	MAK629KB250	GASKET, Shifter



MACK TRANSMISSIONS – T2050 – MAIN CASE COMPONENTS - CURRENT MAINSHAFT DESIGN

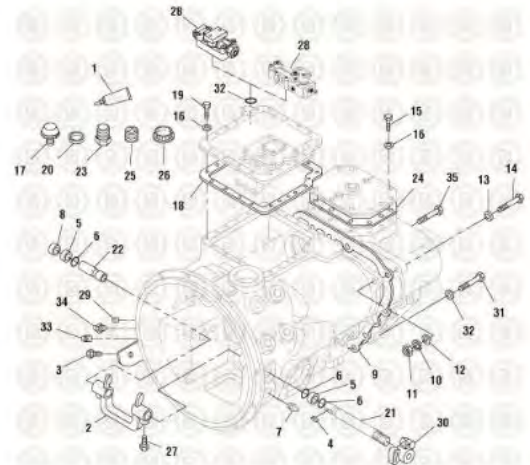
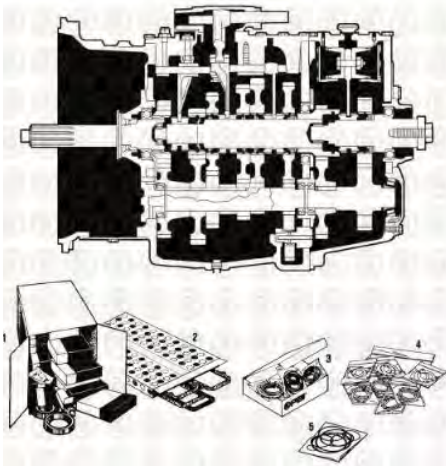
KEY	OEM REF.	DESCRIPTION	KEY	OEM REF.	DESCRIPTION
1	MAK320KB3136	CLUTCH, Sliding	28	MAK757KB3321	GEAR, Countershaft (3rd)
2	MAK555AM4	RING, Retaining	29	MAK31KD2112	SPACER, Countershaft
3	MAK223KD241	WASHER, Thrust	30	MAK757KB2110	GEAR, Countershaft (2nd)
4	MAK223KD317A	WASHER, Thrust	31	MAK42AX643	KEY
5	MAK97AX266	RING, Retaining	32	MAK605KC474A	COUNTERSHAFT (w/o Rear PTO)
6	MAK751KB3450A	GEAR, Mainshaft (4th)	33	MAK62AX487	CONE
7	MAK97AX171	RING, Retaining	34	MAK64AX292	CUP
8	MAK751KB3490A	GEAR, Mainshaft (3rd)	35	MAK56AX508	O-RING, Countershaft, Rear Bearing Retainer
9	MAK223KD316A	WASHER, Thrust	36	MAK741KC321CP3	SHIM (.003in thk)
10	MAK223KD249	WASHER, Thrust	36	MAK741KC321CP6	SHIM (.006in thk)
11	MAK97AX151	RING, Retaining	36	MAK741KC321CP15	SHIM (.015in thk)
12	MAK320KB3137A	CLUTCH, Sliding	36	MAK741KC321CP30	SHIM (.030in thk)
13	MAK751KB3533	GEAR, Mainshaft (2nd)	37	MAK223KD262P2	WASHER, Thrust
14	MAK751KB3467	GEAR, Mainshaft (1st)	38	MAK751KB284	GEAR, Reverse Idler
15	MAK751KB3396B	GEAR, Mainshaft (Reverse)	39	MAK67AX334	BEARING
16	MAK555AM5	RING, Retaining	40	MAK223KD262	WASHER, Thrust
17	MAK31KD2168	SPACER, Mainshaft, Reverse	41	MAK611KC230	SHAFT, Reverse Idler
18	MAK615KC4208	MAINSHAFT	42	MAK79AX39	PLUG, Expansion
19	MAK97AX274	RING, Retaining			
20	MAK46AX490	BEARING			
21	MAK88AX463	SEAL			
22	MAK6AX1317X	SCREW (7/16in-14 x 1-1/4in)			
23	MAK56AX539	O-IRNG, Countershaft, Forward Bearing Retainer			
24	MAK62AX489	CONE			
25	MAK64AX294	CUP			
26	MAK757KB445	GEAR, Countershaft, Maindrive			
27	MAK757KB444A	GEAR, Countershaft (5th)			



**MACK TRANSMISSIONS – T2060 & T2070 – SHORT
AUXILIARY CASE, TOP SHIFT**

KEY	OEM REF.	DESCRIPTION	KEY	OEM REF.	DESCRIPTION
1	MAK208SH101A	KIT,Bearing and Seal(T2070) Includes Bearings (1)GBG-6083 (3)GBG-6071 (2)GBG-6102 (1)GBG-6133 (1)GBG-6594 (1)GBG-6620 (1)GBG-7319 (3)GBG-6033 (3)GBG-6035 (6)GBG-6037 (3)GCU-6036 (6)GCU-6038 (3)GCU-6034 SpringS (1)GSP-1671 (1)GSP-1672 (1)GSP-1673 (3)GSP-1676 Ring Kit (1)GRK-2771 Rings (5)GRI-2735 O-Ring (1)321229 O-Ring Kit (1)GKT-3748 Bushings (1)GSP-3104 Washers (1)GWA-5985 (3)GWA-5937 (1)GWA-5984 (6)GWA-5983 (1)WA-5997 (1)GWA-5994 (3)GWA-5972 (5)GTW-5998 (1)GTW-5999 Shim Kit (1)GBK-6565-400 Plugs (3)GKP-3492 (1)GKP-3488 (2)GPP-3571 (1)GCP-3495 (2)GCP-3484 (1)GPP-3575 Pins (1)GPN-1656 (2)GPN-5112 (1)GPN-1654 (1)GPN-1655 Balls (3)GDB-1665 (3)GDB-1666 Slave Valve Repairs Kit (1)GKT-3986 (1)EF39740 Retaining Rings (1)GRI-2824 Screws (6)GSC-6116 Retainer (1)GSP-5988 Gasket Kit (1)GGS-3971	1	N/A	KIT,Bearing and Seal(T2060) Includes Bearings (1)GGB-6593 (6)GBG-6037 (3)GBG-6071 (2)GBG-6102 (1)GBG-6620 (3)GBG-6035 (6)GCU-6038 (3)GCU-6036 (1)BBG-7642 (1)GBG-6083 (3)GCU-6034 (1)GBG-6133 (3)GBG-6033 SealS (1)GOS-6720 (1)GOS-6951 (3)GOS-6201 Gaskets (1)GGK-3924 (1)GGK-3921 (1)GGK-3836 (1)GGK-3835 (1)GGK-3837 O-Rings (3)GGA-2942 (3)GGA-2955 (3)GGA-2949 O-Ring Kit (1)GKT-3748 Rings (1)GRI-2824 (1)GRI-270 (1)GRI-2786 (5)GRI-2735 Ring Kit (1)GRK-2771 WasherS (3)GWA-5973 (1)GWA-5984 (1)GWA-5983 (3)GWA-5972 (1)GTW-5999 (5)GTW-5998 Springs (1)GSP-1672 (1)GSP-1673 (3)GSP-1676 (1)GSP-1671 Balls (4)GDB-1665 (3)GDB-1666 Plugs (1)GKP-3488 (2)GPP-3571 (1)GCP-3495 (2)GCP-3484 (1)GPP-3578 (3)GKP-3492 Pins (1)GPN-1654 (2)GPN-5112 (1)GPN-1655 (1)GPN-1656 Screws (4)GSC-6116 Shim Kit (1)GBK-6565-400 Sealant (1)BSR-0385 Bushing (1)GSP-3104 Slave Valve Repair (1)GKT-3986

Continued



**MACK TRANSMISSIONS – T2060 & T2070 – SHORT
AUXILIARY CASE, TOP SHIFT**

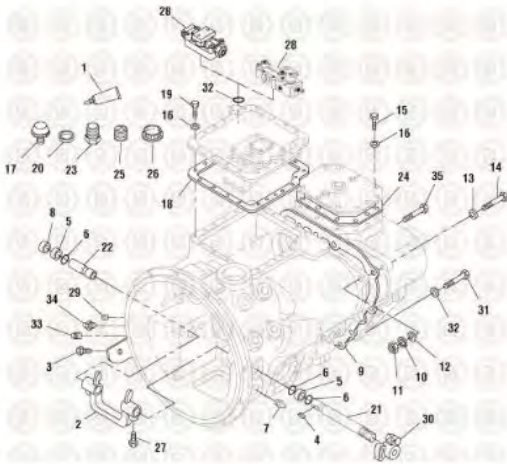
Continued

KEY	OEM REF.	DESCRIPTION
2	MAK207SH29	KIT,Gasket,Transmission Includes Gaskets (1)GGK-3835 (1)GGK-3836 (1)GGK-3837 (1)GGS-3970-012 (1)GGK-3921 (1)GGK-3924 Seals (3)GOS-6201 (1)GOS-6720 (1)GOS-6951 O-Rings (3)GGA-2942 (1)BGA-3004 (2)GGA-2956 (3)GGA-2955 (1)EF30180 (3)GGA-2949 (2)GGA-2946 (2)GGA-2947 (2)GGA-2951 (1)321229 Sealant (1)BSR-0385
3	N/A	KIT,Retaining Rings Includes Retaining Rings (1)GRI-2701 (1)GRI-2714 (7)GRI-2734 (1)GRI-2784 (1)GRI-2787 (1)GRI-2795 (1)GRI-2797 (1)GRI-2798 (1)GRI-2799 (1)ESR-2832 (1)GRI-2711 (1)GRI-2791
4	MAK207SH34	KIT,Shim Includes Shims (3)GSH-5995-015 (3)GSH-5995-030 (3)GSH-5996-003 (3)GSH-5996-006 (3)GSH-5996-015 (3)GSH-5996-030 (3)GSH-5995-006 (3)GSH-5995-003
5	N/A	KIT,O-Rings Includes O-Rings (3)GGA-2942 (1)GGA-2946 (1)GGA-2954 (1)EGS-3905-009 (1)GGA-2933 (1)GGA-2934 (1)GGA-2935 (1)EF30180 (1)GGA-2936 (2)EF30150 (2)GGA-2937 (3)GGA-2949 (1)GGA-2932 (1)GGA-2956

**MACK TRANSMISSIONS – T2060 & T2070 – COMPOUND
AND MAIN CASE ASSEMBLY**

KEY	OEM REF.	DESCRIPTION
1	MAK3092340	SEALANT, Silicone (Cartridge gun tube 310 ml)
1	MAK342SX32	SEALANT, Silicone Rubber
2	MAK301KD43B	YOKE, Clutch Release
3	MAK6AX1359X	SCREW, Cover, PTO (3/8in-16 x 1in)
4	MAK43AX41	KEY
5	MAK67AX204	BEARING(2 req'd)
6	MAK88AX349P3	SEAL
7	MAK44AX115	FITTING ,Grease (1/8in x 27 Thread)
8	MAK79AX71	PLUG(1-1/4in Cup)
9	MAK629KB53A	GASKET
10	MAK36AX5	WASHER, Lock
11	MAK20AX5	NUT
12	MAK37AX10	WASHER, Flat
13	MAK37AX98	WASHER
14	MAK90KB111A	SCREW, Dowel
15	MAK6AX1309X	SCREW (3/8in-16 x 1-1/2in)
16	MAK37AX7U	WASHER
17	MAK541KB25	BREATHER
18	MAK629KB411	GASKET, Cover
19	MAK6AX1308X	SCREW (3/8in-16 x 1-1/4in)
20	MAK79AX57X	PLUG (7/8in Cup)
21	MAK604KC34A	SHAFT, Clutch Release
22	MAK604KC277A	SHAFT, Clutch Release
23	MAK49AX262	PLUG, Shift Rail
24	MAK629KB318	GASKET, Cover
25	MAK49AX234Z	PLUG,Temp. Sending Unit Boss (1/4in NPT)
26	MAK49AX259	PLUG, Pivot

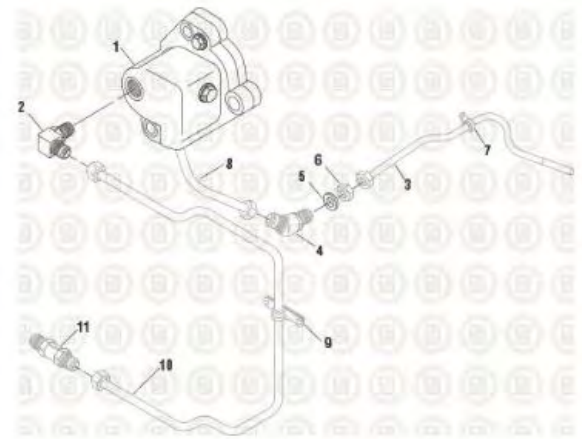
Continued



MACK TRANSMISSIONS – T2060 & T2070 – COMPOUND AND MAIN CASE ASSEMBLY

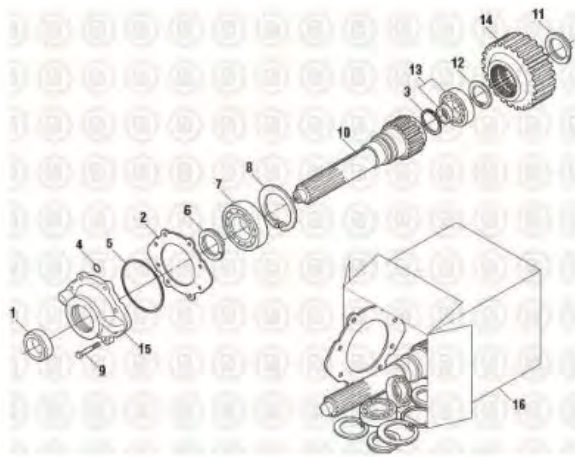
Continued

KEY	OEM REF.	DESCRIPTION
27	MAK7AX264X	SCREW, Lock (Dog Point)
28	MAK216KD41	VALVE, Slave (Early)
28	MAK216KD42B	VALVE, Slave (Current)
29	MAK37AX474	WASHER, Flat (1/2in)
30	MAK14RU265B	LEVER, Adjusting (Straight Side Spline)
30	MAK4RU362	LEVER, Adjusting (Involute Spline)
31	MAK6AX1327	SCREW (1/2in-13 x 2in)
32	MAK56AX436	O-RING, Mounting



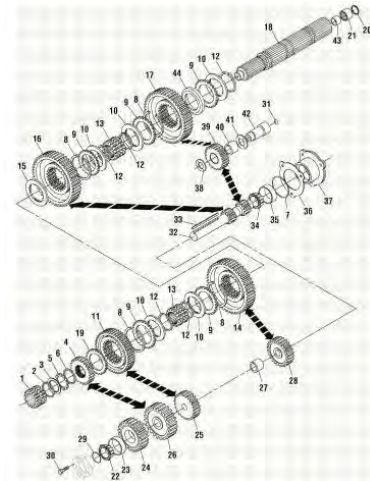
MACK TRANSMISSIONS – T2060 & T2070 – T2060 & T2070 - OIL PUMP COMPONENTS

KEY	OEM REF.	DESCRIPTION
1	MAK431KC45	PUMP, Transmission Oil
2	MAK63AX3477	FITTING, 90 deg. Elbow (3/4in x 3/4in)
3	MAK186KD4135	TUBE, Suction Pipe
4	MAK63AX3851	FITTING, 45 deg.
5	MAK56AX410	O-RING, Fitting
6	MAK21AX925	NUT (7/8in-14)
7	MAK83AX21	CLAMP (5/8in ID)
8	MAK186KD3283	TUBE, Inlet Assembly
9	MAK83AX990	CLAMP (1/2in dia.)
10	MAK186KD4134A	TUBE, Discharge Assembly
11	MAK63AX3850	FITTING, Bulkhead (3/4in-16, 1/2in OD tube)
11	MAK10MF433M	FITTING, Bulkhead (w/o Nut)



MACK TRANSMISSIONS – T2060 & T2070 – INPUT SHAFT COMPONENTS

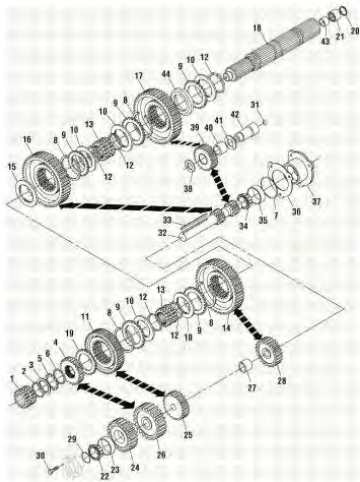
KEY	OEM REF.	DESCRIPTION
1	MAK88AX454	SEAL, Oil
2	MAK629KB328B	GASKET, Front Cover
3	MAK97AX54	RING, Retaining
4	MAK56AX543	O-RING, Cover
5	MAK56AX347	O-RING, Cover
6	MAK97AX226	RING, Retaining
7	MAK46AX410	BEARING, Main Drive
8	MAK97AX262	RING, Retaining
9	MAK6AX1317X	SCREW (7/16in-14 x 1-1/4in)
10	MAK764KB4203E	GEAR, Main Drive
11	MAK97AX260	RING, Retaining
12	MAK97AX125	RING, Retaining
13	MAK67AX311	BEARING
14	MAK764KB3267A	GEAR, Main Drive
15	MAK403KB295	COVER, Main Drive
16	N/A	KIT, Input Shaft (w/o Oil Pump and w/o Flywheel PTO units) Includes Main Drive Gear (1)EM67350 Gasket (1)GGK-3921 Seal (1)EM67200 Rings (1)GRI-2714 (1)GRI-2798 (1)GRI-2701 Bearings (1)EM65930 (1)EM66200 MAK 403KB288



MACK TRANSMISSIONS – T2060 & T2070 – MAIN CASE COMPONENTS

KEY	OEM REFERENCE	DESCRIPTION
1	MAK320KB3136	CLUTCH, Sliding
1	MAK320KB3152	CLUTCH, Sliding (5th & 6th) (T2060)
2	MAK97AX238	RING, Retaining (Use w/ Early Mainshaft)
2	MAK555AM4	RING, Retaining (Use w/ Current Mainshaft)
3	MAK223KD241	WASHER, Thrust
4	MAK751KB3450A	GEAR, 5th Mainshaft
5	MAK223KD317A	WASHER, Thrust
6	MAK97AX266	RING, Retaining
7	MAK56AX545	O-RING, Countershaft Rear Bearing Retainer
8	MAK97AX172	RING, Retaining
8	MAK97AX267	RING, Retaining
9	MAK223KD316A	WASHER, Thrust
10	MAK223KD249	WASHER, Thrust
11	MAK751KB3490	GEAR, 3rd Mainshaft Rear Bearing Retainer (When replacing early design 751KB3370, use (1)GGB-6475 and (3) GGB-6483 Gears)
12	MAK97AX151	RING, Retaining
13	MAK320KB3137A	CLUTCH, Sliding
13	MAK320KB3151	CLUTCH, Sliding (1st & 2nd / 3rd & 4th)(T2060)
14	MAK751KB3372A	GEAR, 2nd Mainshaft
15	MAK233KD39	WASHER, Thrust
16	MAK751KB3467	GEAR, 1st Mainshaft
17	MAK751KB3396A	GEAR, Reverse
18	MAK615KC4209	MAINSHAFT, Front
18	MAK615KC4203	MAINSHAFT, Front(Current)
19	MAK223KD253	WASHER, Thrust (Not Used On All Variations)
20	MAK97AX265	RING, Retaining

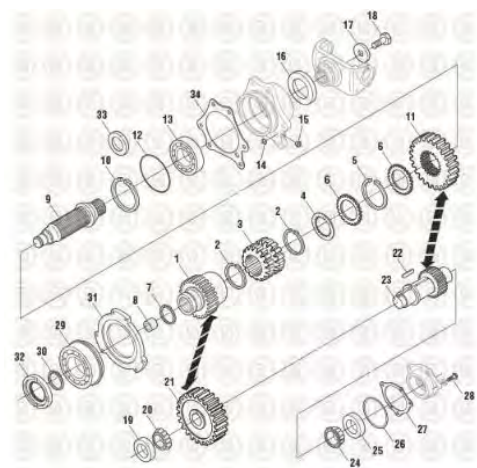
Continued



MACK TRANSMISSIONS – T2060 & T2070 – MAIN CASE COMPONENTS

Continued

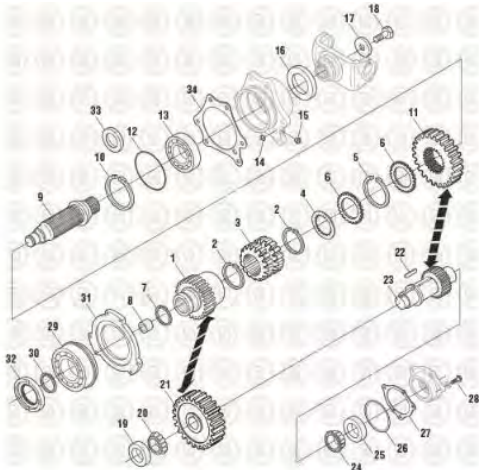
KEY	OEM	DESCRIPTION
21	MAK67AX335	BEARING
22	MAK62AX489	CONE
23	MAK64AX294	CUP
24	MAK757KB445	GEAR, Maindrive Countershaft
25	MAK757KB3321	GEAR, 3rd Countershaft (Current Design) (Goes w/ GGB-6475, must change both)
26	MAK757KB444A	GEAR, 5th Countershaft
27	MAK31KD2112	SPACER
28	MAK757KB2110	GEAR, 2nd Countershaft
29	MAK56AX539	O-RING, Countershaft Forward Bearing Retainer
30	MAK6AX1317X	SCREW (7/16in-15 x 1-1/4in)
31	MAK79AX39	PLUG, Expansion
32	MAK605KC474A	COUNTERSHAFT (w/o Rear PTO)
32	MAK605KC479	COUNTERSHAFT (w/ PTO)
33	MAK42AX643	KEY
34	MAK62AX487	CONE
35	MAK64AX292	CUP
36	MAK741KC321CP3	SHIM (.003in thk)
36	MAK741KC321CP6	SHIM (.006in thk)
36	MAK741KC321CP15	SHIM (.015in thk)
36	MAK741KC321CP30	SHIM (.030in thk)
37	MAK451KC3108A	RETAINER
38	MAK223KD262P2	WASHER, Thrust
39	MAK751KB284	GEAR, Reverse Idler
40	MAK67AX334	BEARING, Reverse Idler
40	MAK67AX347	BEARING, Reverse Idler(T2060)
41	MAK223KD262	WASHER, Thrust
42	MAK611KC230	SHAFT, Reverse Idler
43	MAK80AX775	RACE, Bearing
44	MAK31KD331	SPACER, Mainshaft(Reverse)



MACK TRANSMISSIONS – T2060 & T2070 – REAR CASE COMPONENTS

KEY	OEM REF.	DESCRIPTION
1	MAK764KB4240A	GEAR, Maindrive
2	MAK97AX151	RING, Retaining
3	MAK320KB3137A	CLUTCH, Sliding
4	MAK223KD249	WASHER, Thrust
5	MAK97AX267	RING, Retaining
6	MAK223KD316A	WASHER, Thrust
7	MAK97AX258	RING, Retaining
8	MAK80AX775	BUSHING
9	MAK601KC411C	MAINSHAFT, Auxiliary Rear (T2060/T2070)
10	MAK97AX274	RING, Retaining
11	MAK751KB3382A	GEAR, Mainshaft(T2070)
11	MAK751KB3375A	GEAR, Mainshaft(T2060)
12	MAK56AX432	O-RING
13	MAK46AX490	BEARING
14	MAK56AX540	O-RING
15	MAK153KB15	BUSHING, Speedo
16	MAK88AX463	SEAL
17	MAK297KB219P2	CLAMP
18	MAK3AX1803X	SCREW (7/8in-14 x 3in)
19	MAK64AX292	CUP
20	MAK62AX487	CONE
21	MAK757KB4106	GEAR, Countershaft Drive(Keyed)
21	MAK22031266	GEAR, Countershaft Drive(Splined)
22	MAK42AX641	KEY
23	MAK605KC487	COUNTERSHAFT
23	MAK605KC481	COUNTERSHAFT (w/ PTO) (T2060)
23	MAK605KC486	COUNTERSHAFT (w/o PTO) (T2060)
24	MAK62AX292	CONE

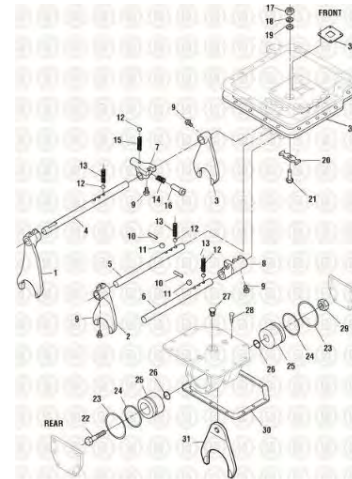
Continued



MACK TRANSMISSIONS – T2060 & T2070 – REAR CASE COMPONENTS

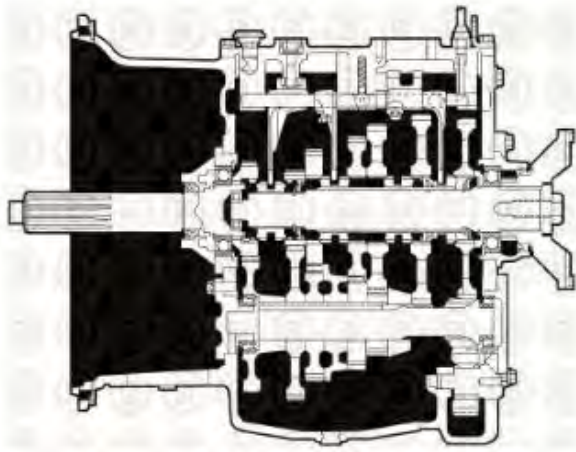
Continued

KEY	OEM REF.	DESCRIPTION
25	MAK64AX16	CUP
26	MAK56AX541	O-RING
27	MAK741KC323P3	SHIM (.003in thk)
27	MAK741KC323P6	SHIM (.006in thk)
27	MAK741KC323P15	SHIM (.015in thk)
27	MAK741KC323P30	SHIM (.030in thk)
28	MAK6AX1317X	SCREW (7/16in-14 x 1-1/4in)
29	MAK46AX517	BEARING
30	MAK97AX265	RING, Retaining
31	MAK451KC420B	RETAINER
32	MAK31KD2136	RETAINER
33	MAK31KD2149	SPACER
34	MAK629KB331A	GASKET



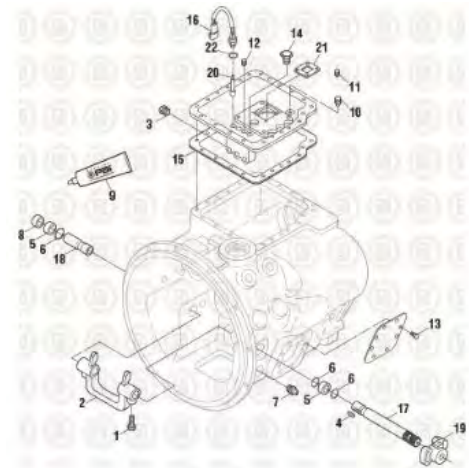
MACK TRANSMISSIONS – T2060 & T2070 – SHIFTER COMPONENTS

KEY	OEM REF.	DESCRIPTION
1	MAK575KB3303C	FORK, Shift (4th/5th)
2	MAK575KB3320D	FORK, Shift (2nd/3rd)
3	MAK575KB3306B	FORK, Shift (1st/Rev.) (T2060/T2070)
4	MAK591KC3120	RAIL, Shift (1st/Rev.)
5	MAK591KC3100	RAIL, Shift (2nd/3rd)
6	MAK591KC3101	RAIL, Shift (4th/5th)
7	MAK699KC328	SHIFTER (1st/Rev.)
8	MAK699KC329	SHIFTER (4th/5th)
9	MAK7AX264X	SCREW, Lock (Dog Point)
10	MAK301KC242	PIN, Interlock
11	MAK48AX12	BALL, Detent (3/4in Dia.)
12	MAK48AX17	BALL, Detent (1/2in Dia.)
13	MAK107KD157	SPRING
14	MAK107KD118	SPRING
15	MAK107KD116	SPRING
16	MAK411KC18A	PLUNGER
17	MAK21AX28	NUT
18	MAK37AX6	WASHER, Lock
19	MAK36AX5	WASHER, Flat
20	MAK521KC13	ROCKER
21	MAK311KC27A	PIN, Pivot
22	MAK3AX1923	SCREW (5/8in-18 x 2-1/2in)
23	MAK56AX534	O-RING
24	MAK56AX513	O-RING
25	MAK336KC311	PISTON
26	MAK56AX533	O-RING
27	MAK541KB25	BREATHER
28	MAK6AX1308X	SCREW (3/8in-16 x 1-1/4in)
29	MAK21AX360	NUT
30	MAK629KB318	GASKET, Cover
31	MAK575KB3380	FORK
31	MAK575KB3327D	FORK
32	MAK629KB411	GASKET, Front Cover
33	MAK629KB250	GASKET



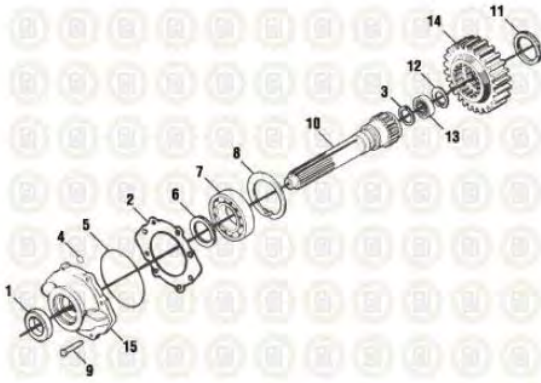
MACK TRANSMISSIONS – T2060A – 6 SPEED TRANSMISSION - KITS

KEY	OEM REF.	DESCRIPTION
1	N/A	KIT, Bearing and Seal Includes Bearings (1)GBG-6593 (3)GBG-6037 (3)GBG-6071 (2)GBG-6102 (3)GBG-6035 (3)GCU-6038 (3)GCU-6036 (1)BBG-7642 (1)GBG-6620 (3)GBG-8964 Seals (1)GOS-6951 (3)GOS-6201 (1)GOS-6720 Gaskets (1)GGK-3924 (1)GGK-3921 (1)GGK-3836 O-Rings (3)GGA-2942 (3)GGA-2952 (1)321229 Rings (1)GRI-2824 (1)GRI-2701 (1)GRI-2786 (1)GRI-2784 (3)GRI-2734 (3)GRI-2735 (1)GRI-2834 (1)GRI-2714 (1)GRI-2798 (1)GRI-2797 (1)GRI-2832 Washers (3)GWA-5973 (1)GWA-5984 (3)GWA-5983 (3)GWA-5972 (1)GTW-5999 (3)GTW-5998 Plugs (1)GPP-3578 (2)BDP-7630 (1)EPP-3575 (3)GKP-3492 Shim Kit (1)GRK-6573-400 Sealant (1)BSR-0385
2	N/A	KIT, Shim Includes Shims (3)GSH-5995-003 (3)GSH-5995-015 (3)GSH-5995-030 (3)GSH-5995-006



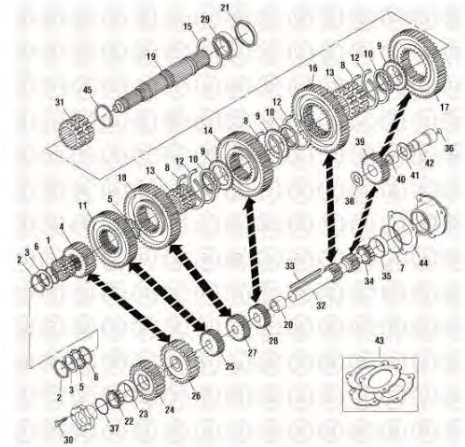
MACK TRANSMISSIONS – T2060A – CASE AND COVER ASSEMBLY

KEY	OEM REF.	DESCRIPTION
1	MAK7AX264X	SCREW, Lock (Dog Point)
2	MAK301KD43B	YOKE, Clutch Release
3	MAK49AX234Z	PLUG (1/2in NPT)
4	MAK43AX41	KEY
5	MAK67AX204	BEARING (2 Req'd)
6	MAK88AX349P3	SEAL
7	MAK44AX115	FITTING, Grease (1/8in x 27 Thread)
8	MAK79AX71	PLUG (1-1/4in Cup)
9	MAK3092340	SEALANT, Silicone Rubber (Cartridge gun tube 310 ml)
9	MAK342SX32	SEALANT, Silicone Rubber
10	MAK49AX259	PLUG, Pivot
11	MAK49AX262	PLUG, Shift Rail
12	MAK79AX57X	PLUG (7/8in Cup)
13	MAK6AX1315	BOLT
14	MAK541KB25	BREATHER
15	MAK629KB411	GASKET, Cover
16	MAK1MR3481M	SWITCH, Reverse (w/ Plug) (Normally Opened)
17	MAK604KC34A	SHAFT, Clutch Release
18	MAK604KC277A	SHAFT, Clutch Release
19	MAK14RU265B	LEVER, Adjusting (Straight Side Spline)
19	MAK4RU362	LEVER, Adjusting (Involute Spline)
20	MAK301KC278	PIN, Reverse Switch
21	MAK629KB250	GASKET
22	MAK56AX381	O-RING



MACK TRANSMISSIONS – T2060A – INPUT SHAFT COMPONENTS

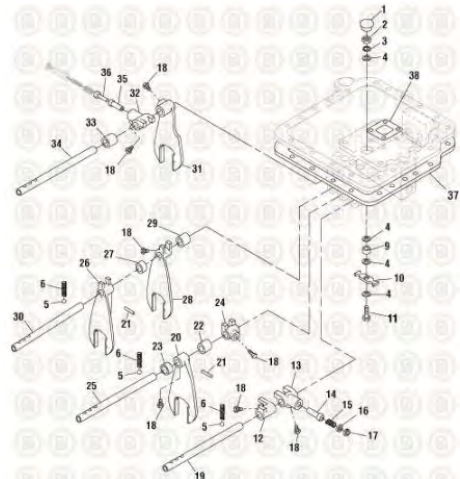
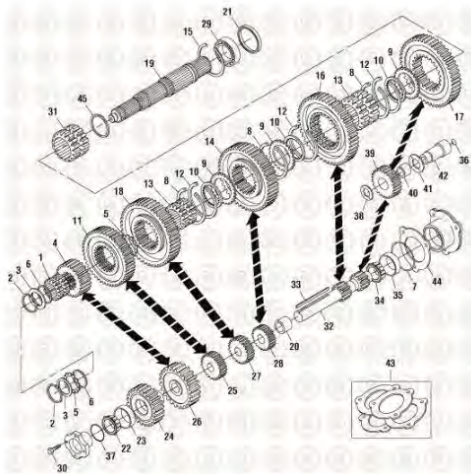
KEY	OEM REF.	DESCRIPTION
1	MAK88AX454	SEAL, Oil
2	MAK629KB328B	GASKET, Front Cover
3	MAK97AX54	RING, Retaining
4	MAK56AX543	O-RING, Cover
5	MAK56AX347	O-RING, Cover
6	MAK97AX226	RING, Retaining
7	MAK46AX410	BEARING, Main Drive
8	MAK97AX262	RING, Retaining
9	MAK6AX1317X	SCREW (7/16in-14 x 1-1/4in)
10	MAK764KB4265	SHAFT, Input
11	MAK97AX260	RING, Retaining
12	MAK97AX125	RING, Retaining
13	MAK67AX311	BEARING
14	MAK764KB3302	GEAR, Main Drive
15	MAK403KB295	COVER, Main Drive



MACK TRANSMISSIONS – T2060A – MAIN CASE COMPONENTS

KEY	OEM REF.	DESCRIPTION
1	MAK320KB3144	CLUTCH, Sliding
2	MAK555AM4	RING, Retaining
3	MAK223KD241	WASHER, Thrust
4	MAK751KB4104	GEAR, Mainshaft(6th)
5	MAK223KD317A	WASHER, Thrust
6	MAK97AX266	RING, Retaining
7	MAK56AX508	O-RING, Countershaft, Rear Bearing Retainer
8	MAK97AX171	RING, Retaining
9	MAK223KD316A	WASHER, Thrust
10	MAK223KD249	WASHER, Thrust
11	MAK751KB3523	GEAR, Mainshaft (4th or 5th)
12	MAK97AX151	RING, Retaining
13	MAK320KB3143	CLUTCH, Sliding
14	MAK751KB3522	GEAR, Mainshaft
15	MAK97AX274	RING, Retaining
16	MAK751KB4106	GEAR, Mainshaft (1st)
17	MAK751KB4107	GEAR, Mainshaft (Reverse)
18	MAK751KB4105	GEAR, Mainshaft (3rd)
19	MAK615KC4200	MAINSHAFT
20	MAK31KD330	SPACER, Countershaft
21	MAK88AX463	SEAL, Rear
22	MAK62AX489	CONE
23	MAK64AX294	CUP
24	MAK757KB4112	GEAR, Countershaft (Maindrive)
25	MAK757KB3347	GEAR, Countershaft (4th)
26	MAK757KB4111	GEAR, Countershaft (6th)
27	MAK757KB3345	GEAR, Countershaft (3rd)
28	MAK757KB3346	GEAR, Countershaft (2nd)
29	MAK46AX490	BEARING
30	MAK6AX1317X	SCREW (7/16in-14 x 1-1/4in)
31	MAK320KB3145	CLUTCH, Sliding

Continued



MACK TRANSMISSIONS – T2060A – MAIN CASE COMPONENTS

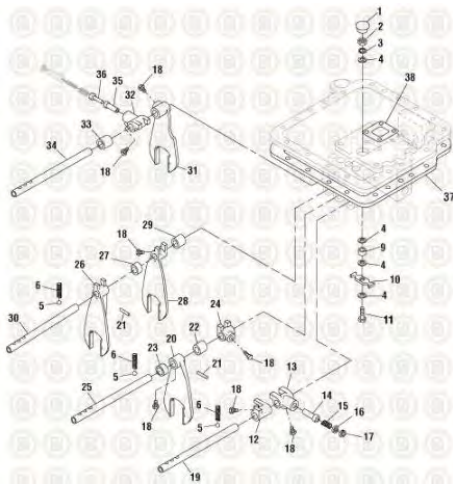
MACK TRANSMISSIONS – T2060A – SHIFTER COMPONENTS

Continued

KEY	OEM REF.	DESCRIPTION
32	MAK605KC4178	COUNTERSHAFT (w/o Rear PTO)
32	MAK605KC4177	COUNTERSHAFT
32	MAK605KC4157	COUNTERSHAFT
33	MAK42AX613	KEY (1/2in x 7in)
34	MAK62AX487	CONE
35	MAK64AX292	CUP
36	MAK79AX39	PLUG, Expansion
37	MAK56AX539	O-RING, Countershaft Forward Bearing Retainer
38	MAK223KD262P2	WASHER, Thrust
39	MAK751KB284	GEAR, Reverse Idler
40	MAK67AX334	BEARING
41	MAK223KD262	WASHER, Thrust
42	MAK611KC230	SHAFT, Reverse Idler
43	N/A	KIT, Shim Includes Shims (3)GSH-5995-003 (3)GSH-5995-006 (3)GSH-5995-015 (3)GSH-5995-030
44	MAK741KC321CP3	SHIM (.003in thk)
44	MAK741KC321CP6	SHIM (.006in thk)
44	MAK741KC321CP15	SHIM (.015in thk)
44	MAK741KC321CP30	SHIM (.030in thk)
45	MAK555AM5	RING, Retaining
45	MAK97AX291	RING, Retaining
46	MAK31KD331	SPACER, Mainshaft

KEY	OEM REF.	DESCRIPTION
1	MAK49AX259	PLUG, Snaplock (1-1/4in)
2	MAK21AX918	NUT, Hex (1/2-20 UNF)
3	MAK36AX5	WASHER, Lock (1/2-20 UNF)
4	MAK35AX1446X	WASHER, Flat (1/2-20 UNF)
5	MAK107KC254	SPRING, Shift
6	MAK48AX19	BALL, Interlock (13/16in dia)
7	MAK107KC251	SPRING, Shift Rail
8	MAK48AX3	BALL, Shift Rail (3/8in dia)
9	MAK31KD2169	SPACER, Pivot Pin
10	MAK521KC114	BRACKET, Rocker
11	MAK3AX250	BOLT, Pivot Pin (1/2-20 UNF x 2-1/2in)
12	MAK699KC343A	SHIFTER, 5/6 Speed Latch
13	MAK699KC336A	SHIFTER, 5/6
14A	MAK411KC32	PLUNGER, Shifter (Prior to 4/2000)
14B	MAK411KC33	PLUNGER, Shifter (After to 4/2000)
15A	MAK107KC257	PLUNGER, Shift Plunger (Prior to 4/2000)
15B	MAK107KC258	PLUNGER, Shift Plunger (After to 4/2000)
16	MAK35AX1445X	WASHER, Flat
17A	MAK446KC25	RING, Retaining (Prior to 4/2000)
17B	MAK446KC26	RING, Retaining (After to 4/2000)
18	MAK7AX264X	SCREW, Locking Hex Head
19	MAK591KC49	RAIL, 5th & 6th Shift
20	MAK591KC3400	FORK (3rd & 4th)
21	MAK301KC248	PIN, Shift Rail Interlock (1/4in x 5/8in Lg)
22	MAK31KD1162P4	SPACER (.032in)
23	MAK31KC1162P3	SPACER (.022in Lg)

Continued



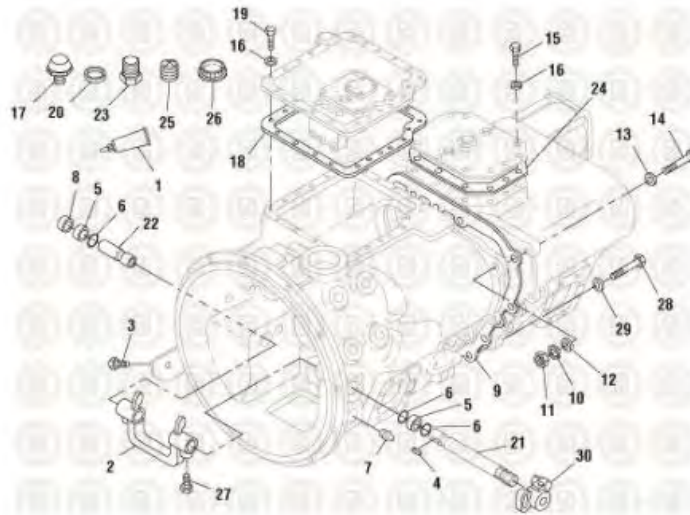
MACK TRANSMISSIONS – T2060A – SHIFTER COMPONENTS

Continued

KEY	OEM REF.	DESCRIPTION
24	MAK699KC344B	SHIFTER, Block (3rd & 4th)
25	MAK591KC415	RAIL (3rd & 4th)
26	MAK575KB481	FORK (1st & 2nd)
27	MAK31KC1162P5	SPACER (.045in Lg)
28	MAK575KB468	FORK (5th & 6th)
29	MAK31KC1162P7	SPACER (1.42in Lg)
30	MAK591KC411	RAIL (1st & 2nd)
31	MAK575KB70	FORK, Reverse Speed
32	MAK699KC345	SHIFTER, Reverse Speed
32	MAK699KC352	SHIFTER, Reverse Speed
33	MAK31KC1162P2	SPACER, Reverse (.68in Lg)
34	MAK591KC412	RAIL, Reverse Shift
35A	MAK441KC221	PLUNGER, Outer (Prior to 6/21/1999)
35B	MAK441KC221	PLUNGER, Outer (After 6/21/1999)
36	MAK411KC220P2	PLUNGER, Innter
37	MAK629KB411	GASKET, Shift Cover
38	MAK629KB250	GASKET, Shifter

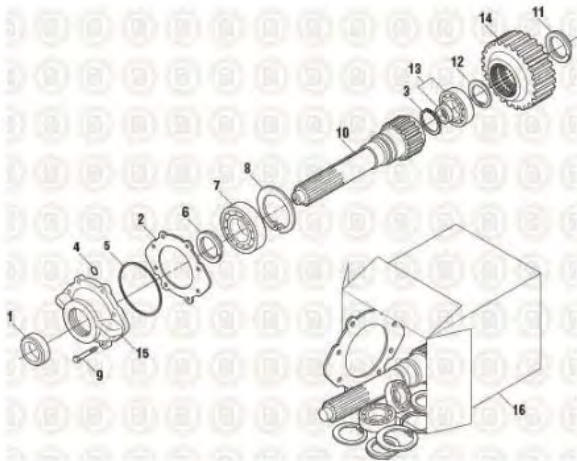
MACK TRANSMISSIONS – T2070 A & C – LONG AUXILIARY CASE, REAR MOUNTED SHIFTER TRANSMISSION - KITS

KEY	OEM REF.	DESCRIPTION
1	N/A	KIT, Bearing and Seal Includes Bearings (2)GBG-6102 (1)GBG-6593 (1)GBG-6133 (1)GBG-6620 (1)GBG-6083 (3)GBG-6071 (1)GGB-7642 (3)GCU-6036 (6)GCU-6038 (3)GCU-6034 (3)GBG-6035 (6)GBG-6037 (3)GBG-6033 Bushings (1)GSP-3104 Washers (5)GWA-5983 (5)GTW-5998 (1)GWA-5984 (1)GTW-5999 (3)GWA-5973 (3)GWA-5972 Retaining Rings (1)GRI-2824 Spacers (1)GSP-5947 Gasket Kit (1)GGS-3838 O-Ring (1)321229 Ring Kit (1)GRK-2774
2	MAK207SH31B	KIT, Transmission Gasket Includes Gaskets (1)GGK-3837 (1)GGK-3921 (1)GGK-3924 (1)GGK-3839 (1)GGK-3836 Seals (1)GOS-6951 (1)GOS-6720 (3)GOS-6201 Sealant (1)BSR-0385 O-Rings (3)GGA-2942 (1)BGA-3004 (1)GGA-2932 (1)GGA-2933 (1)GGA-2934 (1)GGA-2935 (1)GGA-2936 (1)GGA-2937 (1)GGA-2938 (1)GGA-2931 (3)GGA-2949 (1)GGA-2954 (1)EF30180 (1)GGA-2946 (1)EGS-3905-009 (1)321229
3	MAK342SH592	KIT, Retaining Ring Includes Retaining Rings (1)GRI-2714 (1)GRI-2798 (1)ESR-2832 (5)GRI-2785 (1)GRI-2719 (2)GRI-2784 (1)GRI-2799 (6)GRI-2734 (1)GRI-2701 (1)GRI-2787 (1)GRI-2795 (1)GRI-2786 (5)GRI-2735 (1)GRI-2711 (1)GRI-2797



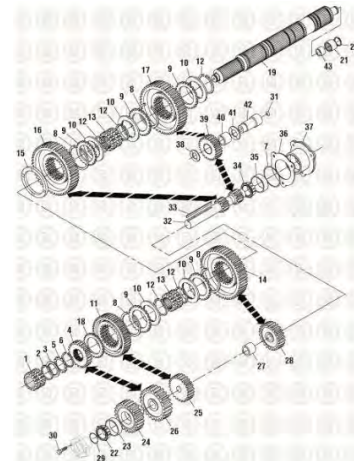
MACK TRANSMISSIONS – T2070 A & C – COMPOUND & MAIN CASE ASSEMBLY

KEY	OEM REF.	DESCRIPTION	KEY	OEM REF.	DESCRIPTION
1	MAK3092340	SEALANT, Silicone Rubber (Cartridge gun tube 310 ml)	24	MAK629KB318	GASKET, Cover
1	MAK342SX32	SEALANT, Silicone Rubber	25	MAK49AX234Z	PLUG, Temperature Sending Unit Boss (1/4in NPT)
2	MAK301KD43B	YOKE, Clutch Release	26	MAK49AX259	PLUG, Pivot
3	MAK6AX1359X	SCREW, Cover, PTO (3/8in-16 x 1in)	27	MAK7AX264X	SCREW, Lock (Dog Point) (7/16in-20)
4	MAK43AX41	KEY	28	MAK6AX1327	SCREW (1/2in-13 x -2in)
5	MAK67AX204	BEARING (2 req'd)	29	MAK37AX474	WASHER, Flat (1/2in)
6	MAK88AX349P3	SEAL	30	MAK14RU265B	LEVER, Adjusting (Straight Side Spline)
7	MAK44AX115	FITTING, Grease (1/8in x 27 Thread)	30	MAK4RU362	LEVER (Involute Spline)
8	MAK79AX71	PLUG (1-1/4in Cup)			
9	MAK629KB53A	GASKET			
10	MAK36AX5	WASHER, Lock			
11	MAK20AX5	NUT (1/2in-20)			
12	MAK37AX10	WASHER, Flat			
13	MAK37AX98	WASHER			
14	MAK90KB111A	SCREW, Dowel			
15	MAK6AX1309X	SCREW (3/8in-16 x 1-1/2in)			
16	MAK37AX7U	WASHER			
17	MAK541KB25	BREATHER			
18	MAK629KB411	GASKET, Cover			
19	MAK6AX1308X	SCREW (3/8in-16 x 1-1/4in)			
20	MAK79AX57X	PLUG (7/8in Cup)			
21	MAK604KC34A	SHAFT, Clutch Release			
22	MAK604KC277A	SHAFT, Clutch Release			
23	MAK49AX262	PLUG, Shift Rail			



MACK TRANSMISSIONS – T2070 A & C – INPUT SHAFT COMPONENTS

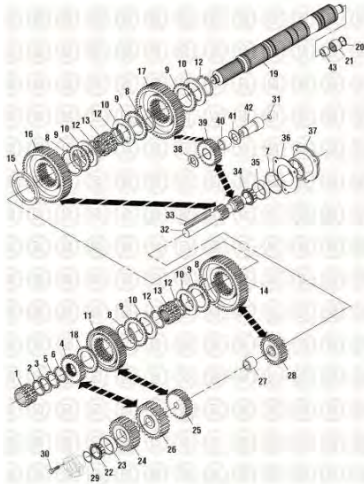
KEY	OEM REF.	DESCRIPTION
1	MAK88AX454	SEAL, Oil
2	MAK629KB328B	GASKET, Front Cover
3	MAK97AX54	RING, Retaining
4	MAK56AX543	O-RING, Cover
5	MAK56AX347	O-RING, Cover
6	MAK97AX226	RING, Retaining
7	MAK46AX410	BEARING, Main Drive
8	MAK97AX262	RING, Retaining
9	MAK6AX1317X	SCREW (7/16in-14 x 1-1/4in)
10	MAK764KB4203E	GEAR, Main Drive
11	MAK97AX260	RING, Retaining
12	MAK97AX125	RING, Retaining
13	MAK67AX311	BEARING
14	MAK764KB3267A	GEAR, Main Drive
15	MAK403KB295	COVER, Main Drive
16	N/A	KIT, Input Shaft (w/o Oil Pump and w/o Flywheel PTO units) Includes Main Drive Gear (1)EM67350 Gasket (1)GGK-3921 Seal (1)EM67200 Rings (1)GRI-2714 (1)GRI-2798 (1)GRI-2701 (1)ESR-2832 (1)GRI-2797 Bearings (1)EM65930 (1)EM66200



MACK TRANSMISSIONS – T2070 A & C – MAIN CASE COMPONENTS

KEY	OEM REF.	DESCRIPTION
1	MAK320KB3136	CLUTCH, Sliding
2	MAK97AX238	RING, Retaining (Use w/ Early Mainshaft)
2	MAK555AM4	RING, Retaining (Use w/ Current Mainshaft)
3	MAK223KD241	WASHER, Thrust
4	MAK751KB3450A	GEAR, Mainshaft
6	MAK97AX266	RING, Retaining
7	MAK56AX545	O-RING, Countershaft Rear Bearing Retainer
8	MAK97AX267	RING, Retaining
9	MAK223KD316A	WASHER, Thrust
10	MAK223KD249	WASHER, Thrust
11	MAK751KB3490A	GEAR, Mainshaft (3rd) (Current Design) (When Replacing Early Design (751KB3370) Use (1)GGB-6475 & (3)GGB-6483)
12	MAK97AX151	RING, Retaining
13	MAK320KB3137A	CLUTCH, Sliding
14	MAK751KB3372A	GEAR, Mainshaft(2nd)
15	MAK233KB39	WASHER, Thrust
16	MAK751KB3467	GEAR, Mainshaft(1st)
17	MAK751KB3396B	GEAR, Reverse
18	MAK223KD253	WASHER, Thrust (Not used on all variations)
19	MAK615KC4204A	MAINSHAFT
20	MAK97AX265	RING, Retaining
21	MAK67AX335	BEARING
22	MAK62AX489	CONE
23	MAK64AX294	CUP
24	MAK757KB445	GEAR, Countershaft, Maindrive

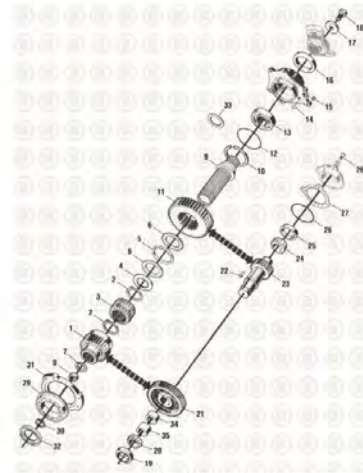
Continued



MACK TRANSMISSIONS – T2070 A & C – MAIN CASE COMPONENTS

Continued

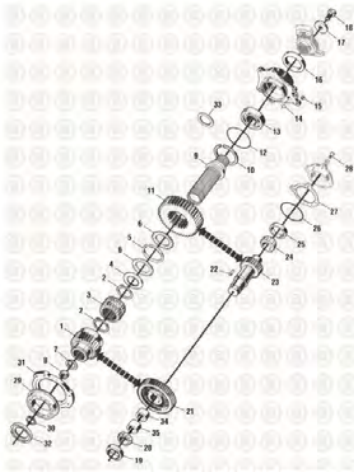
KEY	OEM REF.	DESCRIPTION
25	MAK757KB3321	GEAR, Countershaft (3rd) (Current Design) (Goes w/ GGB-6475, Must Change Both)
26	MAK757KB444A	GEAR, Countershaft (5th)
27	MAK31KD2112	SPACER
28	MAK757KB2110	GEAR, Countershaft (2nd)
29	MAK56AX539	O-RING, Countershaft (Forward Bearing Retainer)
30	MAK6AX1317X	SCREW (7/16in-15 x 1-1/4in)
31	MAK79AX39	PLUG, Expansion
32	MAK605KC474A	COUNTERSHAFT (w/o Rear PTO)
32	MAK605KC479	COUNTERSHAFT (w/ PTO)
33	MAK42AX643	KEY
34	MAK62AX487	CONE
35	MAK64AX292	CUP
36	MAK741KC321CP3	SHIM (.003in thk)
36	MAK741KC321CP6	SHIM (.006in thk)
36	MAK741KC321CP15	SHIM (.015in thk)
36	MAK741KC321CP30	SHIM (.030in thk)
37	MAK451KC3108A	RETAINER
38	MAK223KD262P2	WASHER, Thrust
39	MAK751KB284	GEAR, Reverse Idler
40	MAK67AX334	BEARING, Reverse Idler
41	MAK223KD262	WASHER, Thrust
42	MAK611KC230	SHAFT, Reverse Idler
43	MAK80AX775	RACE, Bearing



MACK TRANSMISSIONS – T2070 A & C – REAR CASE COMPONENTS

KEY	OEM REF.	DESCRIPTION
1	MAK764KB4252	GEAR, Maindrive
2	MAK97AX151	RING, Retaining
3	MAK320KB3137A	CLUTCH, Sliding
4	MAK223KD249	WASHER, Thrust
5	MAK97AX267	RING, Retaining
6	MAK223KD316A	WASHER, Thrust
7	MAK97AX258	RING, Retaining
8	MAK67AX335	BEARING
9	MAK601KC441	MAINSHAFT, Auxiliary Rear
10	MAK97AX274	RING, Retaining
11	MAK751KB3382A	GEAR, Mainshaft
12	MAK56AX432	O-RING
13	MAK46AX490	BEARING
14	MAK56AX540	O-RING
15	MAK153KB15	BUSHING, Speedo
16	MAK88AX463	SEAL
17	MAK297KB219P2	CLAMP
18	MAK3AX1803X	SCREW (7/8in-14 x 2-1/4in)
19	MAK64AX292	CUP
20	MAK62AX487	CONE
21	MAK757KB4106	GEAR, Countershaft Drive (Keyed)
21	MAK22031266	GEAR, Countershaft Drive (Splined)
22	MAK42AX647	KEY, Countershaft
23	MAK605KC4118	COUNTERSHAFT
24	MAK62AX292	CONE
25	MAK64AX16	CUP
26	MAK56AX541	O-RING
27	MAK741KC323P3	SHIM (.003in thk)
27	MAK741KC323P6	SHIM (.006in thk)

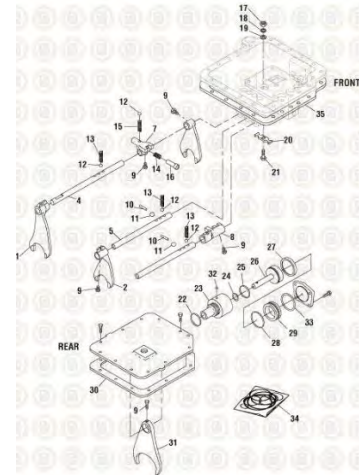
Continued



MACK TRANSMISSIONS – T2070 A & C – REAR CASE COMPONENTS

Continued

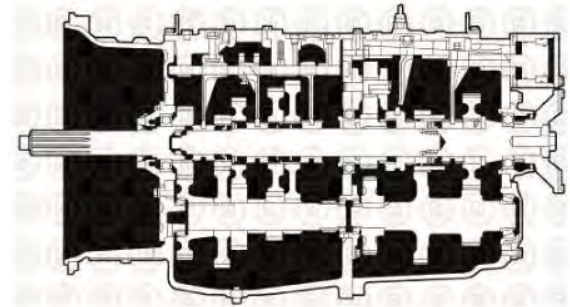
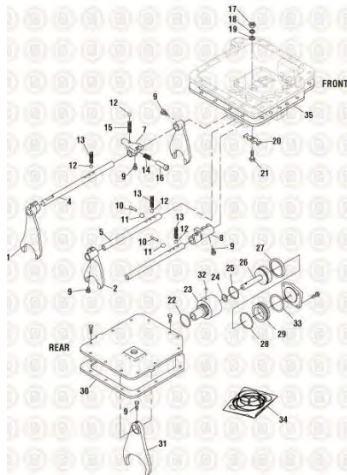
KEY	OEM REF.	DESCRIPTION
27	MAK741KC323P15	SHIM (.015in thk)
27	MAK741KC323P30	SHIM (.030in thk)
28	MAK6AX1317X	SCREW (7/16in-14 x 1-1/4in)
29	MAK46AX517	BEARING
30	MAK97AX265	RING, Retaining
31	MAK451KC420B	RETAINER
32	MAK31KD2136	RETAINER
33	MAK31KD2149	SPACER
34	MAK31KD2109AP2	SPACER
35	MAK31KD2109AP4	SPACER



MACK TRANSMISSIONS – T2070 A & C – SHIFTER COMPONENTS

KEY	OEM REF.	DESCRIPTION
1	MAK575KB3303C	FORK, Shift (4th/5th)
2	MAK575KB3320D	FORK, Shift (2nd/3rd)
3	MAK575KB3306B	FORK, Shift (1st/Reverse)
4	MAK591KC3164	RAIL, Shift (1st/Reverse)
5	MAK591KC3165	RAIL, Shift (2nd/3rd)
6	MAK591KC3166	RAIL, Shift (4th/5th)
7	MAK699KC328	SHIFTER (1st/Rev.)
8	MAK669KC329A	SHIFTER (4th/5th)
9	MAK7AX264X	SCREW, Lock (Dog Point) (7/16in-20)
10	MAK301KC248	PIN, Interlock
11	MAK48AX19	BALL, Detent (13/16in dia)
12	MAK48AX17	BALL, Detent (1/2in Dia.)
13	MAK107KD157	SPRING
14	MAK107KD118	SPRING
15	MAK107KD116	SPRING
16	MAK411KC18A	PLUNGER
17	MAK21AX918	NUT
18	MAK35AX1446X	WASHER, Lock
19	MAK36AX5	WASHER, Flat
20	MAK521KC114	ROCKER
21	MAK311KC215	PIN, Pivot
22	MAK56AX557	O-RING
23	MAK55KC420	CYLINDER, Range
24	MAK56AX556	O-RING
25	MAK56AX560	O-RING
26	MAK591KC2370	ASSEMBLY, Rail
27	MAK56AX559	O-RING
28	MAK56AX561	O-RING
29	MAK336KC334	PISTON, Range Shift
30	MAK629KB335A	GASKET, Cover

Continued



MACK TRANSMISSIONS – T2070 A & C – SHIFTER COMPONENTS

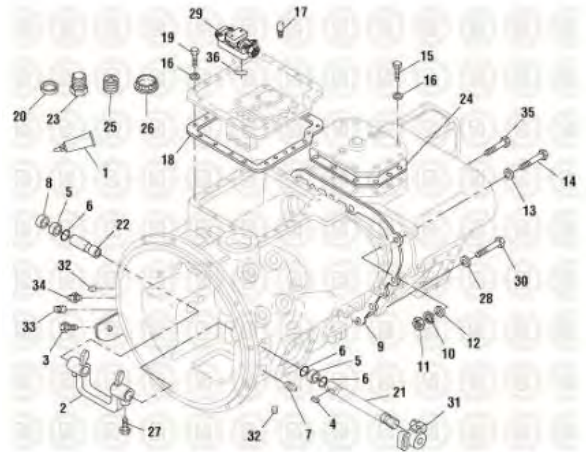
Continued

KEY	OEM REF.	DESCRIPTION
31	MAK575KB3380	FORK
32	MAK541KB19	BREATHER
33	MAK56AX558	O-RING
34	N/A	KIT, O-Ring Range Cylinder Includes O-Rings (1)GGA-2954 1)GGA-2953 (1)GGA-2932 (1)GGA-2934 (1)GGA-2936 (1)GGA-2933 (1)GGA-2946 (1)EF30180
35	MAK629KB411	GASKET, Shift Cover

MACK TRANSMISSIONS – T2070 B & D – LONG AUXILIARY CASE, MULTI-SPEED REVERSE TRANSMISSION - KITS

KEY	OEM REF.	DESCRIPTION
1	N/A	KIT, Bearing and Seal Includes Bearings (2)GBG-6102 (1)GBG-6593 (3)GBG-6035 (6)GBG-6037 (3)GCU-6036 (6)GCU-6038 (1)BBG-7642 (1)GBG-6133 (3)GBG-6033 (3)GCU-6034 (3)GBG-6148 (1)GBG-6083 (1)GBG-6620 Seals (3)GOS-6201 (1)GOS-6720 (1)GOS-6951 Bushing (1)GSP-3104 Gaskets (1)GGK-3921 (1)GGK-3924 (1)GGK-3837 (1)GGK-3836 O-Ring Kit (1)GBK-5942-200 Retaining Rings (1)GRI-2824 (1)GSP-5988 Kit (1)GRK-2774 Washers (1)GWA-5984 (1)GTW-5999 (6)GTW-5998 (6)GWA-5983 (3)GWA-5919 (3)GWA-5972 Springs (1)GSP-1673 (3)GSP-1676 (1)GSP-1672 Balls (4)GDB-1665 Shim Kit (1)GBK-6565-400 Sealant (1)BSR-0385
2	MAK207SH31B	KIT, Gasket, Transmission Includes Gaskets (1)GGK-3837 (1)GGK-3921 (1)GGK-3839 (1)GGK-3836 (1)GGK-3824 Seals (1)GOS-6951 (1)GOS-6720 (3)GOS-6201 Sealant (1)BSR-0385 O-Rings (3)GGA-2942 (1)GBA-3004 (1)GGA-2932 (1)GGA-2933 (1)GGA-2934 (1)GGA-2935 (1)GGA-2936 (1)GGA-2937 (1)GGA-2938 (1)GGA-2931 (3)GGA-2949 (1)GGA-2954 (1)EF30180 (1)GGA-2946 (1)EGS-3905-009 (1)321229
3	MAK207SH34	KIT, Shim Includes Shims (3)GSH-5995-015 (3)GSH-5995-030 (3)GSH-5996-006 (3)GSH-5996-015 (3)GSH-5996-030 (3)GSH-5995-006 (3)GSH-5995-003 (3)GSH-5996-003

Continued



**MACK TRANSMISSIONS – T2070 B & D – LONG
 AUXILIARY CASE, MULTI-SPEED REVERSE
 TRANSMISSION - KITS**

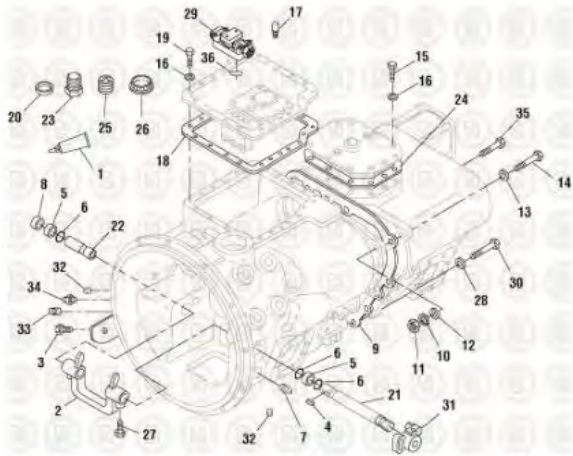
Continued

KEY	OEM REF.	DESCRIPTION
4	N/A	KIT, O-Ring (Major) Includes O-Rings (3)GGA-2942 (1)GGA-2932 (1)GGA-2954 (1)EGS-3905-009 (1)GGA-2933 (1)GGA-2934 (1)GGA-2935 (1)EF30180 (1)GGA-2936 (1)EF30150 (2)GGA-2937 (3)GGA-2949 (1)GGA-2946 (1)GGA-2956
5	MAK342SH592	KIT, Retaining Ring Includes Rings (1)GRI-2701 (1)GRI-2714 (1)GRI-2719 (6)GRI-2734 (5)GRI-2785 (1)GRI-2786 (1)GRI-2787 (1)GRI-2795 (1)GRI-2797 (1)GRI-2798 (1)GRI-2799 (1)ESR-2832 (5)GRI-2735 (1)GRI-2711

**MACK TRANSMISSIONS – T2070 B & D – COMPOUND &
 MAIN CASE ASSEMBLY**

KEY	OEM REF.	DESCRIPTION
1	MAK3092340	SEALANT, Silicone Rubber (Cartridge gun tube 310 ml)
1	MAK342SX32	SEALANT, Silicone Rubber
2	MAK301KD43B	YOKE, Clutch Release
3	MAK6AX1359X	SCREW (3/8in-16 x 1in)
4	MAK43AX41	KEY
5	MAK67AX204	BEARING (2 req'd)
6	MAK88AX349P3	SEAL
7	MAK44AX115	FITTING, Grease (1/8in x 27 thd)
8	MAK79AX71	PLUG, Cup (1-1/4in)
9	MAK629KB53A	GASKET
10	MAK36AX5	WASHER, Lock
11	MAK20AX5	NUT (1/2in-20)
12	MAK37AX10	WASHER, Flat
13	MAK37AX98	WASHER
14	MAK90KB111A	SCREW, Dowel
15	MAK6AX1309X	SCREW (3/8in-16 x 1-1/2in)
16	MAK37AX7U	WASHER
17	MAK541KB23	BREATHER
18	MAK629KB411	GASKET, Cover
19	MAK6AX1308X	SCREW (3/8in-16 x 1-1/4in)
20	MAK79AX57X	PLUG, Cup (7/8in)
21	MAK604KC34A	SHAFT, Clutch Release
22	MAK604KC277A	SHAFT, Clutch Release
23	MAK49AX262	PLUG, Shift Rail
24	MAK629KB318	GASKET, Cover
25	MAK49AX234Z	PLUG, Temperature Sending Unit Boss (1/4in NPT)
26	MAK49AX259	PLUG, Pivot

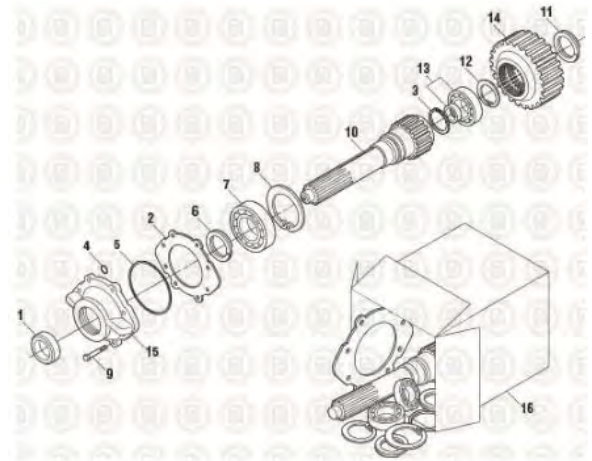
Continued



MACK TRANSMISSIONS – T2070 B & D – COMPOUND & MAIN CASE ASSEMBLY

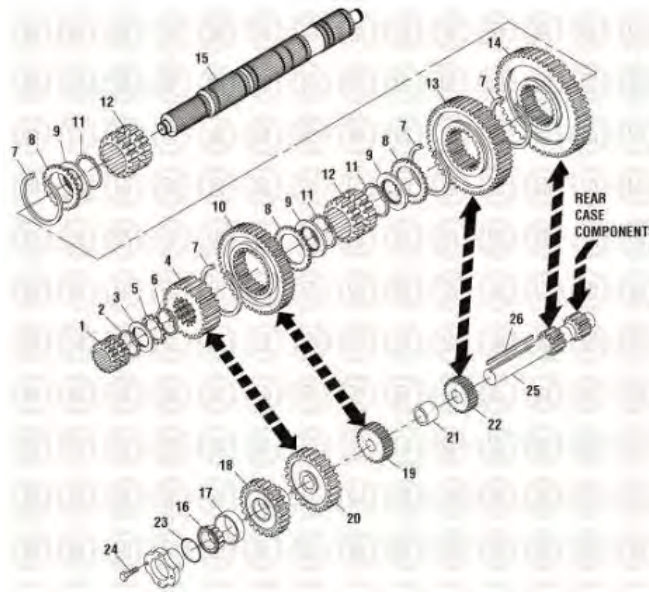
Continued

KEY	OEM REF.	DESCRIPTION
27	MAK7AX264X	SCREW, Lock (Dog Point) (2 req'd) (7/16in-20)
28	MAK37AX474	WASHER
29	MAK216KD42B	VALVE, Slave
30	MAK6AX1327	SCREW (1/2in-13 x 2in)
31	MAK14RU265B	LEVER, Adjusting (Straight Side Spline)
31	MAK4RU362	LEVEL, Adjusting (Involute Spline)
32	MAK49AX224	PLUG, Magnetic Filler
33	MAK63AX1041	PLUG, Oil Fill
34	MAK44AX115	FITTING, Grease (1/8in x 27 thd)
35	MAK6AX1325	SCREW, Short (1/2in-13 x 1-3/4in)
36	MAK56AX436	O-RING, Mounting



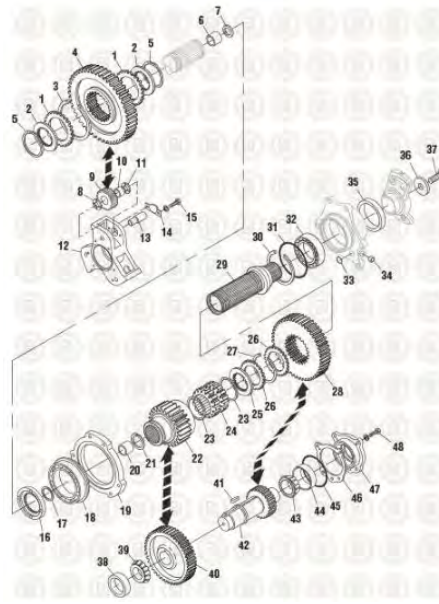
MACK TRANSMISSIONS – T2070 B & D – INPUT SHAFT COMPONENTS

KEY	OEM REF.	DESCRIPTION
1	MAK88AX454	SEAL, Oil
2	MAK629KB328B	GASKET, Front Cover
3	MAK97AX54	RING, Retaining
4	MAK56AX543	O-RING, Cover
5	MAK56AX347	O-RING, Cover
6	MAK97AX226	RING, Retaining
7	MAK46AX410	BEARING, Main Drive
8	MAK97AX262	RING, Retaining
9	MAK6AX1317X	SCREW (7/16in-14 x 1-1/4in)
10	MAK764KB4203E	GEAR, Main Drive
11	MAK97AX260	RING, Retaining
12	MAK97AX125	RING, Retaining
13	MAK67AX311	BEARING
14	MAK764KB3267A	GEAR, Main Drive
15	MAK403KB295	COVER, Main Drive
16	N/A	KIT, Input Shaft (w/o Oil Pump and w/o Flywheel PTO units) Includes Main Drive Gear (1)EM67350 Gasket (1)GGK-3921 Seal (1)EM67200 Rings (1)GRI-2714 (1)GRI-2798 (1)GRI-2701 (1)ESR-2832 (1)GRI-2797 Bearings (1)EM65930 (1)EM66200



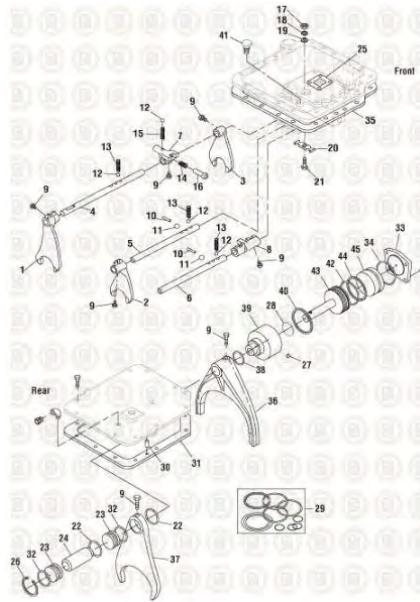
MACK TRANSMISSIONS – T2070 B & D – MAIN CASE COMPONENTS - LONG REAR CASE, MULTI-SPEED REVERSE, REAR MOUNTED MAIN SHIFTER

KEY	OEM REF.	DESCRIPTION	KEY	OEM REF.	DESCRIPTION
1	MAK320KB3136	CLUTCH, Sliding	22	MAK757KB2110	GEAR, Countershaft (2nd)
2	MAK97AX238	RING, Retaining (Use w/ Early Mainshaft)	23	MAK56AX539	O-RING, Countershaft (Forward Bearing Retainer)
2	MAK555AM4	RING, Retaining (Use w/ Current Mainshaft)	24	MAK6AX1317X	SCREW (7/16in-15 x 1-1/4in)
3	MAK223KD241	WASHER, Thrust	25	MAK605KC474A	COUNTERSHAFT (w/o Rear PTO)
4	MAK751KB3450A	GEAR, Mainshaft (5th)	25	MAK605KC479	COUNTERSH AFT (w/ PTO)
5	MAK223KD317A	WASHER, Thrust	26	MAK42AX643	KEY
6	MAK97AX266	RING, Retaining			
7	MAK97AX267	RING, Retaining			
8	MAK223KD316A	WASHER, Thrust			
9	MAK223KD249	WASHER, Thrust When Replacing Early Design (751kb3370) Use (1)GGB-6475 & (3)GGB-6483)			
10	MAK751KB3490A	GEAR, Mainshaft (3rd)			
11	MAK97AX151	RING, Retaining			
12	MAK320KB3137A	CLUTCH, Sliding			
13	MAK751KB3372A	GEAR, Mainshaft (2nd)			
13	MAK751KB3533	GEAR, Mainshaft			
14	MAK751KB3467	GEAR, Mainshaft (1st)			
15	MAK615KC4204A	MAINSHAFT			
16	MAK62AX489	CONE			
17	MAK64AX294	CUP			
18	MAK757KB445	GEAR, Countershaft, Maindrive			
19	MAK757KB3321	GEAR, Countershaft (3rd) (Current Design)			
20	MAK757KB444A	GEAR, Countershaft (5th)			
21	MAK31KD2112	SPACER			



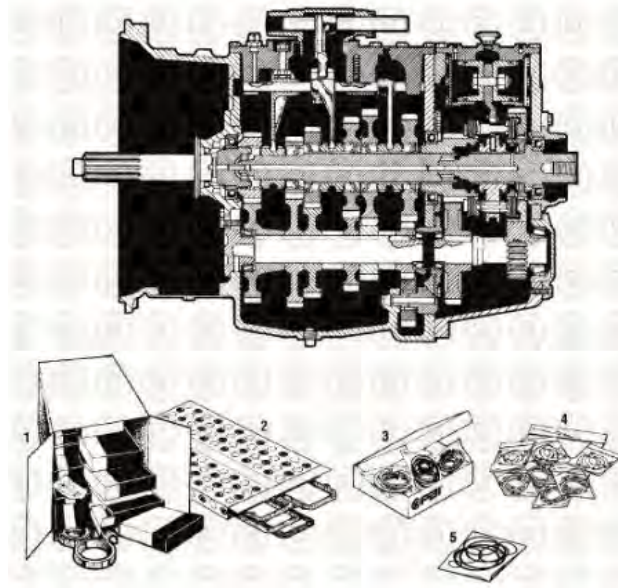
MACK TRANSMISSIONS – T2070 B & D – REAR CASE COMPONENTS

KEY	OEM REFERENCE	DESCRIPTION	KEY	OEM REFERENCE	DESCRIPTION
1	MAK223KD316A	WASHER, Thrust	27	MAK97AX267	RING, Retaining
2	MAK223KD249	WASHER, Thrust	28	MAK751KB3382A	GEAR, Mainshaft
3	MAK97AX267	RING, Retaining	28	MAK751KB3375A	GEAR, Mainshaft
4	MAK751KB3490A	GEAR, Mainshaft (3RD) (When Replacing Early Desing (75KB3379) Use (1)GGB-6475 & (3)GGB-6483	29	MAK601KC441	MAINSHAFT, Auxiliary Rear
5	MAK97AX151	RING, Retaining	29	MAK601KC411C	MAINSHAFT, Auxiliary Rear
6	MAK67AX335	BEARING	30	MAK97AX274	RING, Retaining
7	MAK97AX265	RING, Retaining	31	MAK56AX432	O-RING
8	MAK223KD267	WASHER, Thrust	32	MAK46AX490	BEARING
9	MAK751KB2104	GEAR, Reverse Idler	33	MAK56AX540	O-RING
10	MAK67AX343	BEARING, Reverse Idler	34	MAK163KB15	BUSHING, Speedo
11	MAK223KD262	WASHER, Thrust	35	MAK88AX463	SEAL
12	MAK251KB56	CAGE, Reverse Idler Gear	36	MAK297KB219P2	CLAMP
13	MAK611KC33	SHAFT, Reverse Idler	37	MAK3AX1803X	SCREW (7/8in-14 x 2-1/4in)
14	MAK207KC22	LOCKPLATE, Reverse Idler Shaft	38	MAK64AX292	CUP
15	MAK6AX1296X	SCREW, Self Lock (5/16in-18 x 3/4in)	39	MAK62AX487	CONE
16	MAK31KD2136	RETAINER	40	MAK757KB4106	GEAR, Countershaft Drive (Keyed)
17	MAK97AX265	RING, Retaining	40	MAK22031266	GEAR, Countershaft Drive (Splined)
18	MAK46AX517	BEARING	41	MAK42AX641	KEY
19	MAK451KC420B	RETAINER	42	MAK605KC486	COUNTERSHAFT
20	MAK67AX335	BEARING	43	MAK62AX292	CONE
21	MAK97AX258	RING, Retaining	44	MAK64AX16	CUP
22	MAK764KB4240	GEAR, Maindrive	45	MAK56AX541	O-RING
22	MAK764KB4252	GEAR, Maindrive	46	MAK741KC323P3	SHIM (.003in thk)
23	MAK97AX151	RING, Retaining	46	MAK741KC323P6	SHIM (.006in thk)
24	MAK320KB3137A	CLUTCH, Sliding	46	MAK741KC323P15	SHIM (.015in thk)
25	MAK223KD249	WASHER, Thrust	46	MAK741KC323P30	SHIM (.030in thk)
26	MAK223KD316A	WASHER, Thrust	47	MAK451KC3112	RETAINER, Rear Compound Shaft
			48	MAK6AX1317X	SCREW (7/16in-14 x 1-1/4in)



MACK TRANSMISSIONS – T2070 B & D – SHIFTER COMPONENTS

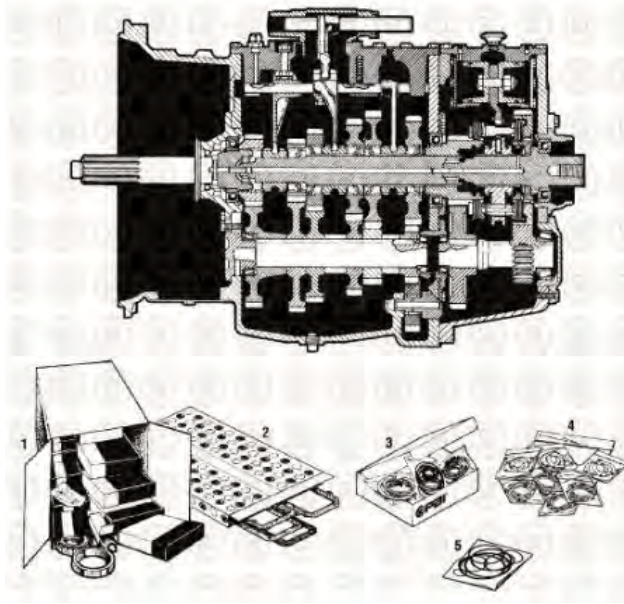
KEY	OEM REF.	DESCRIPTION	KEY	OEM REF.	DESCRIPTION
1	MAK575KB3303C	FORK, Shifter (4th/5th)	29	MAK207SH36A	KIT, Range Cylinder O-Ring (Early) Includes O-Rings (1)GGA-2932 (1)GGA-2954 (1)GGA-2934 (1)GGA-2935 (1)GGA-2931 (1)GGA-2938 (2)EF30150 (1)GGA-2933 (1)GGA-2936 (3)GGA-2937 (1)321229
2	MAK575KB3320D	FORK, Shift (2nd/3rd)	29	MAK207SH38	KIT, Range Cylinder O-Ring (Late) Includes O-Rings (1)GGA-2915 (1)GGA-2916 (1)GGA-2933 (2)EF30150 (2)GGA-2937 (1)GGA-2931 Wear Ring (1)GWR-2914 Gasket (1)GGK-2913
3	MAK575KB3306B	FORK, Shift (1st/Reverse)	30	MAK502KB113	DOWEL
4	MAK591KC3164	RAIL, Shift (1st/Reverse)	31	MAK629KB335A	GASKET, Shift Cover, Compound
5	MAK591KC3165	RAIL, Shift (2nd/3rd)	32	MAK56AX568	O-RING, Splitter Cover
6	MAK591KC3166	RAIL, Shift (4th/5th)	33	MAK414KB398A	COVER, Hi/Lo Shift
7	MAK699KC328	SHIFTER (1st/Reverse)	34	MAK56AX558	O-RING, Housing Cover
8	MAK699KC329A	SHIFTER (4th/5th)	35	MAK629KB411	GASKET, Shift Cover
9	MAK7AX264X	SCREW, Lock (Dog Point) (7/16in-20)	36	MAK575KB457	FORK, Splitter
10	MAK301KC248	PIN, Interlock	37	MAK575KB3380	FORK (Hi/Lo)
11	MAK48AX19	BALL, Detent (13/16in dia)	38	MAK56AX557	O-RING
12	MAK48AX17	BALL, Detent (1/2in Dia.)	39	MAK55KC420	CYLINDER, Range
13	MAK107KD157	SPRING	40	MAK56AX561	O-RING, Shift, Piston
14	MAK107KD118	SPRING	41	MAK541KB25	BREATHER
15	MAK107KD116	SPRING	42	MAK56AX559	O-RING, Shift, Piston
16	MAK411KC18A	PLUNGER	43	MAK591KC2370	ASSEMBLY, Rail w/ Piston
17	MAK20AX5	NUT (1/2in-20)	44	MAK56AX560	O-RING, Shift, Piston
18	MAK35AX1446X	WASHER, Lock	45	MAK336KC334	PISTON
19	MAK36AX5	WASHER, Flat			
20	MAK521KC114	ROCKER			
21	MAK311KC215	PIN, Pivot			
22	FUL14765	O-RING			
23	MAK336KC221	PLUG, Shift Cover (3/4in ID)			
24	MAK591KC3177	RAIL, Forward-Reverse (Multi-Speed)			
25	MAK629KB250	GASKET, Shifter			
26	MAK97AX113	RING			
27	MAK541KB19	BREATHER			
28	MAK56AX556	O-RING			



**MACK TRANSMISSIONS – T2080, T2090 AND T2100 –
8/9/10 SPEED TRANSMISSION - SHORT AUXILIARY
CASE, TOP MOUNT**

KEY	OEM REF.	DESCRIPTION	KEY	OEM REF.	DESCRIPTION
1	MAK208SH101A	KIT, Bearing and Seal Includes Bearings (1)GBG-6083 (3)GCU-6034 (3)GCU-6036 (6)GBG-6037 (3)GBG-6071 (2)GBG-6102 (1)GBG-6133 (1)GBG-6594 (1)GBG-6620 (3)GBG-6035 (1)GBG-7319 (6)GCU-6038 (3)GBG-6033 Gasket Kit (1)GGS-3971 O-Ring (1)321229 O-Ring Kit (1)GKT-3748 Ring (5)GRI-2735 (1)GRI-2824 (1)GSP-5988 Ring Kit (1)GRK-2771 Washers (1)GWA-5985 (3)GWA-5973 (1)GWA-5984 (6)GWA-5983 (1)GWA-5997 (1)GWA-5994 (3)GWA-5972 (5)GTW-5998 (1)GTW-5999 Springs (1)GSP-1671 (1)GSP-1672 (1)GSP-1673 (3)GSP-1676 Bushing (1)GSP-3104 Balls (3)GDB-1665 (3)GDB-1666 Plugs (3)GKP-3492 (1)GKP-3488 (2)GPP-3571 (1)GCP-3495 (2)GCP-3484 (1)GPP-3578 Pins (1)GPN-1655 (1)GPN-1656 (2)GPN-5112 (1)GPN-1654 Screws (6)GSC-6116 Shim Kit (1)GBK-6565-400 Slave Valve Repair Kit (1)GKT-3986	1	N/A	KIT, Bearing and Seal, Economy Includes Bearings (1)GBG-6083 (3)GBG-6033 (3)GCU-6034 (3)GBG-6035 (3)GCU-6036 (6)GBG-6037 (6)GCU-6038 (3)GBG-6071 (2)GBG-6102 (1)GBG-6133 (1)GBG-6620 (1)GBG-7319 (1)GBG-6594 Gasket Kit (1)GGS-3971 O-Rings (1)EF30180 (1)321229 O-Ring Kit (1)GKT-3748 Rings (5)GRI-2735 (1)GSP-5988 Ring Kit (1)GRK-2771 Bushing (1)GSP-3104 Washers (1)GWA-5984 (1)GWA-5985 (6)GWA-5983 (1)GWA-5994 (5)GTW-5998 (1)GTW-5999 (1)GWA-5997 (3)GWA-5972 (3)GWA-5973 Shim Kit (1)GBK-6565-400

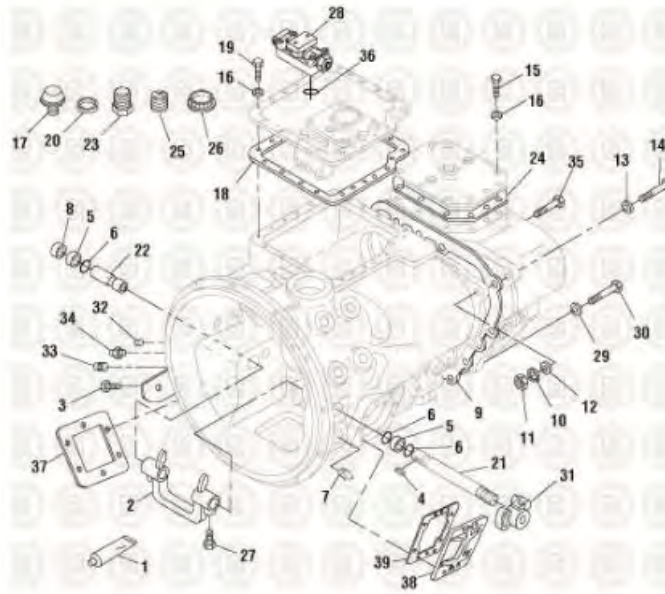
Continued



**MACK TRANSMISSIONS – T2080, T2090 AND T2100 –
8/9/10 SPEED TRANSMISSION - SHORT AUXILIARY
CASE, TOP MOUNT**

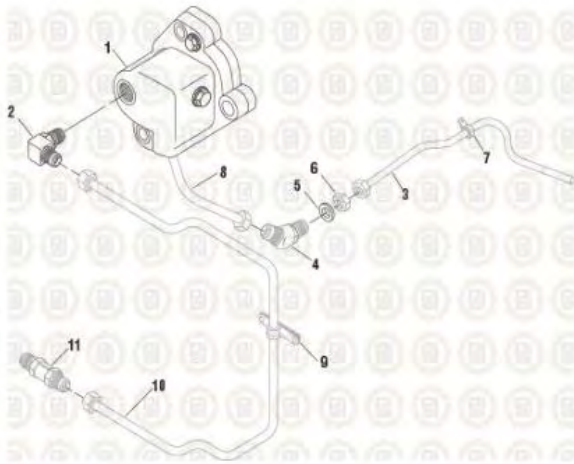
Continued

KEY	OEM REF.	DESCRIPTION	KEY	OEM REF.	DESCRIPTION
1	N/A	KIT, Bearing and Seal (T2090 & T2100) Includes Bearings (2)GBG-6083 (3)GCU-6034 (3)GCU-6036 (6)GBG-6037 (3)GBG-6071 (2)GBG-6102 (1)GBG-6133 (1)GBG-6593 (1)GBG-6620 (2)GBG-6035 (1)GBG-7319 (6)GCU-6038 (3)GBG-6033 Springs (1)GSP-1671 (1)GSP-1672 GSP-(1)1673 (3)GSP-1676 Ring Kit (1)GRK-277 Rings (4)GRI-2735 (1)GRI-2824 Bushing (1)GSP-3104 Gasket Kit (1)GGS-3971 Shim Kit (GBK-6565-400 Plugs (3)GKP-3492 (1)GKP-3488 (2)GPP-3571 (1)GCP-3495 (2)GCP-3484 (1)GPP-3578 Pins (1)GPN-1655 (1)GPN-1656 (2)GPN-5112 (1)GPN-1654 Balls (3)GDB-1665 (3)GDB-1666 Slave Valve Repair Kit (1)GKT-3986 Washers (3)GWA-5973 (1)GWA-5984 (4)GWA-5983 (1)GWA-5997 (3)GWA-5972 (1)GTW-5999 (4)GTW-5998 Screws (6)GSC-6116 Retainer (1)GSP-5988 O-Ring (1)321229 O-Ring Kit (1)GBK-6565-200	3	N/A	KIT, Retaining Ring Includes Rings (1)GRI-2701 (1)GRI-2714 (1)GRI-2719 (7)GRI-2734 (1)GRI-2784 (1)GRI-2787 (1)GRI-2795 (1)GRI-2797 (1)GRI-2798 (1)GRI-2799 (1)ESR-2832 (1)GRI-2711
			4	MAK207SH34	KIT, Shim Includes (3)GSH-5995-015 (3)GSH-5995-030 (3)GSH-5996-003 (3)GSH-5996-006 (3)GSH-5996-015 (3)GSH-5996-030 (3)GSH-5995-006 (3)GSH-5995-003
			5	N/A	KIT, O-Ring Includes O-Rings (1)GGA-2954 (1)GGA-2935 (1)GGA-2932 (1)GGA-2934 (1)GGA-2936 (1)GGA-2933 (1)GGA-2946 (1)EF30180
2	MAK207SH29	KIT, Gasket Includes Gaskets (1)GGK-3835 (1)GGK-3836 (1)GGK-3837 (1)GGS-3970-012 (1)GGK-3921 (1)GGK-3924 Seals (3)GOS-620 (1)GOS-6720 (1)GOS-6951 O-Rings (3)GGA-2942 (1)BGA-3004 (2)GGA-2956 (3)GGA-2955 (1)EF30180 (3)GGA-2949 (1)321229 Sealant (1)BSR-0385 O-Ring Kit (1)GKT-3748			



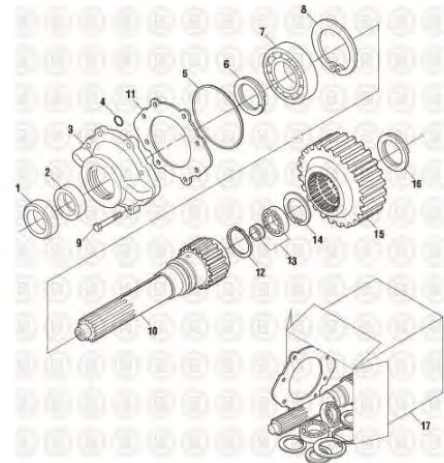
**MACK TRANSMISSIONS – T2080, T2090 AND T2100 –
COMPOUND AND MAIN CASE ASSEMBLY**

KEY	OEM REFERENCE	DESCRIPTION	KEY	OEM REFERENCE	DESCRIPTION
1	MAK3092340	SEALANT, Silicone Rubber (Cartridge gun tube 310 ml)	25	MAK49AX234Z	PLUG, Temperature Sending Unit Boss (1/4in NPT)
1	MAK342SX32	SEALANT, Silicone Rubber	26	MAK49AX259	PLUG, Pivot
2	MAK301KD43B	YOKE, Clutch Release	27	MAK7AX264X	SCREW, Lock (Dog Point) (2 req'd)
3	MAK6AX1359X	SCREW (3/8in-16 x 1in)	28	MAK216KD41	VALVE, Slave (Early)
4	MAK43AX41	KEY	28	MAK216KD42B	VALVE, Slave (Current)
5	MAK67AX204	BEARING (2 req'd)	29	MAK37AX474	WASHER
6	MAK88AX349P3	SEAL	30	MAK6AX1327	SCREW, Long (1/2in-13 x 2in)
7	MAK44AX115	FITTING, Grease (1/8in x 27 thread)	31	MAK14RU265B	LEVER, Adjusting (Straight Side Spline)
8	MAK79AX71	PLUG (1-1/4in Cup)	31	MAK4RU362	LEVER, Adjusting (Involute Spline)
9	MAK629KB412	GASKET	32	MAK49AX224	PLUG, Magnetic Filler
10	MAK36AX5	WASHER, Lock	33	MAK63AX1041	PLUG, Oil Fill
11	MAK20AX5	NUT (1/2in-20)	34	MAK44AX115	FITTING, Grease (1/8in x 27 thread)
12	MAK37AX10	WASHER, Flat	35	MAK6AX1325	SCREW, Short (1/2in-13 x 1-3/4in)
13	MAK37AX98	WASHER	36	MAK56AX436	O-RING, Mounting
14	MAK90KB111A	SCREW, Dowel	37	MAK412KB213P3	COVER, PTO (RH) (6 hole)
15	MAK6AX1309X	SCREW (3/8in-16 x 1-1/2in)	38	MAK412KB310B	COVER, PTO (LH) (8 hole)
16	MAK37AX7U	WASHER	39	MAK648KB23	GASKET
17	MAK541KB23	BREATHER			
18	MAK629KB411	GASKET, Cover			
19	MAK6AX1308X	SCREW (3/8in-16 x 1-1/4in)			
20	MAK79AX57X	PLUG (7/8in Cup)			
21	MAK604KC34A	SHAFT, Clutch Release			
22	MAK604KC277A	SHAFT, Clutch Release			
23	MAK49AX262	PLUG, Shift Rail			
24	MAK629KB318	GASKET, Cover			



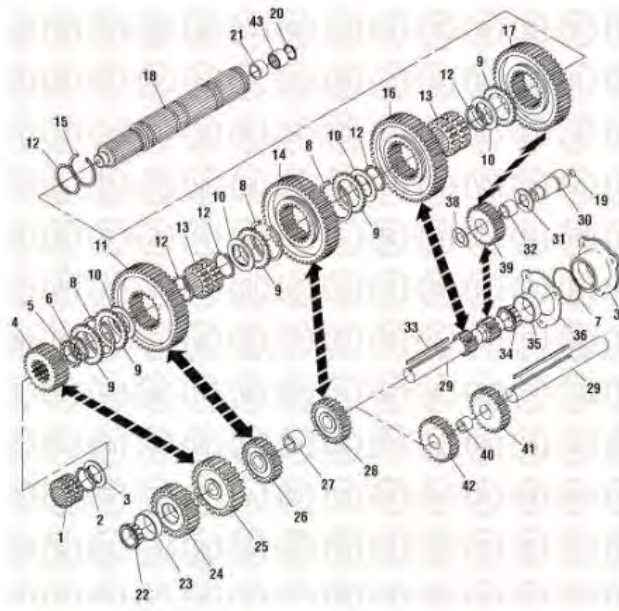
MACK TRANSMISSIONS – T2080, T2090 AND T2100 – OIL PUMP COMPONENTS

KEY	OEM REF.	DESCRIPTION
1	MAK431KC45	PUMP, Transmission Oil
2	MAK63AX3477	FITTING, 90 deg. Elbow (3/4in x 3/4in)
3	MAK186KD4135	TUBE, Suction Pipe
4	MAK63AX3851	FITTING, 45 deg.
5	MAK56AX410	O-RING, Fitting
6	MAK21AX925	NUT (7/8in-14)
7	MAK83AX21	CLAMP (5/8in ID)
8	MAK186KD3283	TUBE, Inlet Assembly
9	MAK83AX990	CLAMP (1/2in dia.)
10	MAK186KD4134	TUBE, Discharge Assembly
11	MAK63AX3850	FITTING, Bulkhead (3/4in-16,1/2in OD tube)
11	MAK10MF433M	FITTING, Bulkhead (w/o Nut)



MACK TRANSMISSIONS – T2080, T2090 AND T2100 – INPUT SHAFT

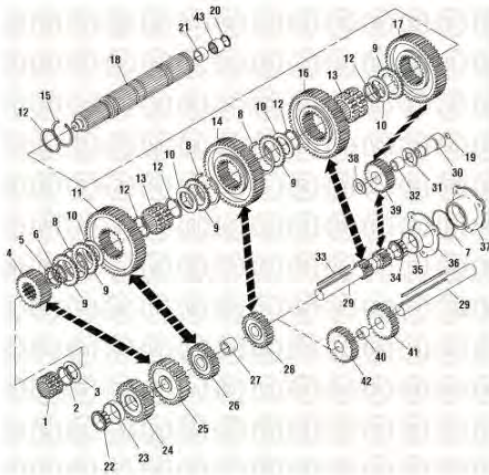
KEY	OEM REF.	DESCRIPTION
1	MAK88AX454	SEAL, Oil
2	MAK789KC117	SLEEVE, Oil Pump (Non-Current)
3	MAK403KB295	COVER, Main Drive
4	MAK56AX543	O-RING, Cover
5	MAK56AX347	O-RING, Cover
6	MAK97AX226	RING, Retaining
7	MAK46AX410	BEARING, Main Drive
8	MAK97AX262	RING, Retaining
9	MAK6AX1317X	SCREW (7/16in-in14 x 1-1/4in)
10	MAK764KB4203E	GEAR, Main Drive
11	MAK629KB328B	GASKET, Front Cover
12	MAK97AX54	RING, Retaining
13	MAK67AX311	BEARING
14	MAK97AX125	RING, Retaining
15	MAK764KB3267A	GEAR, Pinion (T2080)
15	MAK764KB264A	GEAR, Pinion (T2090)
15	MAK764KB3260A	GEAR, Pinion (T2100)
16	MAK97AX260	RING, Retaining
17	N/A	KIT, Input Shaft (w/o Oil Pump and w/o Flywheel PTO units) Includes Main Drive Gear (1)EM67350 Gasket(1)GGK-3921 Seal(1)EM67200 Rings (1)GRI-2714 (1)GRI-2798 (1)GRI-2701 (1)ESR-2832 (1)GRI-2797 Bearings (1)EM65930 (1)EM66200



MACK TRANSMISSIONS – T2080, T2090 AND T2100 – MAIN CASE COMPONENTS

KEY	OEM REF.	DESCRIPTION	KEY	OEM REF.	DESCRIPTION
1	MAK320KB3136	CLUTCH, Sliding	18	MAK615KC4209	MAINSHAFT, Front (T2090, T2100)
2	MAK555AM4	RING, Retaining	18	MAK615KC4203	MAINSHAFT, Front (T2090, T2100) (Current)
3	MAK223KD241	WASHER, Thrust (1 req'd)	19	MAK79AX39	PLUG, Expansion
4	MAK751KB3450A	GEAR, Mainshaft (4th/8th)	20	MAK97AX265	RING, Retaining
5	MAK223KD317A	WASHER, Thrust (1 req'd)	20	MAK555AM5	RING, Retaining
6	MAK97AX266	RING, Retaining	21	MAK80AX775	BUSHING
7	MAK56AX541	O-RING	22	MAK62AX489	CONE
8	MAK97AX171	RING, Retaining	23	MAK64AX294	CUP
8	MAK97AX267	RING, Retaining (T2080)	24	MAK757KB434	GEAR, Maindrive Countershaft (T2090)
9	MAK223KD316A	WASHER, Thrust (5 req'd)	24	MAK757KB442	GEAR, Maindrive Countershaft (T2100)
10	MAK223KD249	WASHER, Thrust (5 req'd)	24	MAK757KB445	GEAR, Maindrive Countershaft (T2080)
11	MAK751KB3341B	GEAR, Mainshaft (T2090 & T2100)	25	MAK757KB428A	GEAR, Countershaft (T2090, T2100)
11	MAK751KB3490A	GEAR, Mainshaft (T2080)	25	MAK757KB444A	GEAR, Countershaft (T2080)
12	MAK97AX172	RING, Snap (T2080, T2090, T2100)	26	MAK757KB3247	GEAR, Countershaft (T2100)
12	MAK97AX151	RING, Retaining (4 req'd)	26	MAK757KB3321	GEAR, Countershaft (T2080)
13	MAK320KB3137A	CLUTCH, Sliding (2 req'd)	26	MAK757KB3223	GEAR, Countershaft (T2090)
14	MAK751KB3342	GEAR, Mainshaft (T2090)	27	MAK31KD2109AP2	SPACER, Countershaft (1-5/8in thk) (T2090 & T2100)
14	MAK751KB3372A	GEAR, Mainshaft (T2080)	27	MAK31KC2112	GEAR, Countershaft (T2080)
14	MAK751KB3363A	GEAR, Mainshaft (T2100)	28	MAK757KB3228	GEAR, Countershaft (T2100)
15	MAK31KD2136	RETAINER	28	MAK757KB2110	GEAR, Countershaft (T2080)
16	MAK751KB3469	GEAR, Lo Mainshaft (T2090)	28	MAK757KB3232	GEAR, Countershaft (T2090)
16	MAK751KB3467	GEAR, Lo Mainshaft (T2080)	29	MAK605KC474A	COUNTERSHAFT (T2080)
16	MAK751KB3466	GEAR, Lo Mainshaft (T2100)			
17	MAK751KB3359	GEAR, Reverse Mainshaft (T2090 & T2100)			
17	MAK751KB3396B	GEAR, Reverse Mainshaft (T2080)			

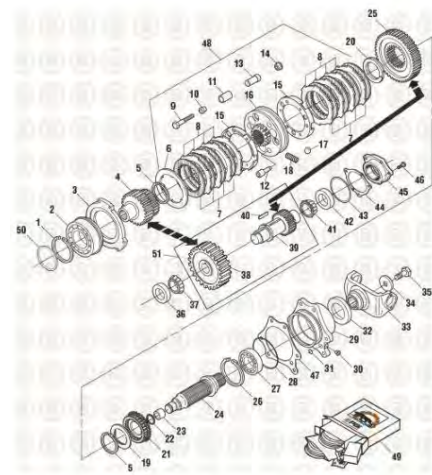
Continued



MACK TRANSMISSIONS – T2080, T2090 AND T2100 – MAIN CASE COMPONENTS

Continued

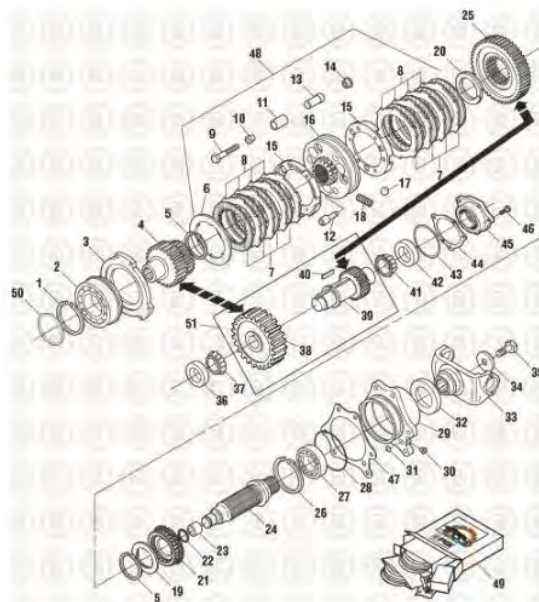
KEY	OEM REF.	DESCRIPTION
29	MAK605KC3188	COUNTERSHAFT (T2090 & T2100)
30	MAK611KC230	SHAFT, Reverse Idle
31	MAK223KD262	WASHER, Thrust (3 req'd)
32	MAK67AX334	BEARING
33	MAK42AX643	KEY (T2080)
33	MAK42AX642	KEY (T2090, T2100)
34	MAK62AX487	CONE
35	MAK64AX292	CUP
36	MAK741KC321BP3	SHIM (.003in thk)
36	MAK741KC321BP6	SHIM (.006in thk)
36	MAK741KC321CP15	SHIM (.015in thk)
36	MAK741KC321BP30	SHIM (.030in thk)
37	MAK451KC398A	RETAINER
38	MAK223KD262P2	WASHER, Thrust (3 req'd)
39	MAK751KB268	GEAR (T2090/T2100)
39	MAK751KB284	GEAR
40	MAK31KD2109AP3	SPACER (1-15/16in thk) (T2090 & T2100)
41	MAK757KB3177	GEAR, Reverse Counter-shaft(T2090)
42	MAK757KB3229	GEAR, Countershaft (T2100)
43	MAK67AX335	BEARING



MACK TRANSMISSIONS – T2080, T2090 AND T2100 – REAR CASE COMPONENTS - ORIGINAL DESIGN SYNCHRONIZER

KEY	OEM REFERENCE	DESCRIPTION
1	MAK97AX259	RING, Retaining (Use w/ Early Main Drive Gear)
2	MAK46AX517	BEARING
3	MAK451KC420B	RETAINER
4	MAK764KB4248	GEAR, Compound, Main Drive (Early)
5	MAK97AX151	RING, Retaining
6	MAK351KC331B	PLATE, Synchronizer
7	MAK495KB361	DISC, Friction (8 req'd)
8	MAK495KB367	DISC, Reaction (8 req'd)
9	MAK6AX1606X	SCREW, Synchronizer (5/16in-18 x 1-7/8in)
10	MAK298KB213	CLAMP, Support Pin (Front)
11	MAK301KC243C	SLEEVE, Synchronizer Support
12	MAK301KC241B	PIN, Synchronizer (Lo Clutch)
13	MAK301KC240B	PIN, Synchronizer (Hi Clutch)
14	MAK298KB214	CLAMP, Support Pin (Rear)
15	MAK53KC486E	HOUSING, Synchronizer
16	MAK320KB450C	CLUTCH, Synchronizer (Early)
17	MAK48AX17	BALL, Synchronizer
18	MAK107KD244	SPRING (Opt.) (Use w/ GDB-1665)
18	MAK58AX273	SPRING (Use w/ GPL-2523)
18	MAK107KD247	SRING (1-15/16in Lg) (T2090 & T2100)
19	MAK223KD261A	WASHER, Thrust
20	MAK97AX284	RING, Retaining
21	MAK84KC43	HUB, Lo Range (Early)
22	MAK97AX258	RING, Retaining
23	MAK80AX775	BUSHING
24	MAK601KC422	SHAFT, Main
25	MAK751KB3348A	GEAR, Lo Range
26	MAK97AX274	RING, Retaining

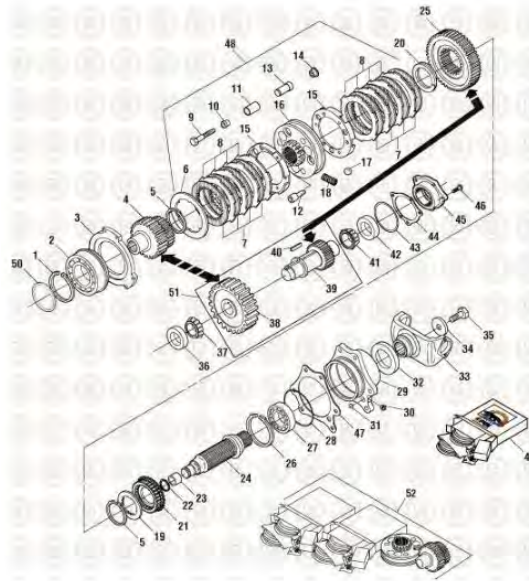
Continued



**MACK TRANSMISSIONS – T2080, T2090 AND T2100 –
REAR CASE COMPONENTS - ORIGINAL DESIGN
SYNCHRONIZER**

Continued

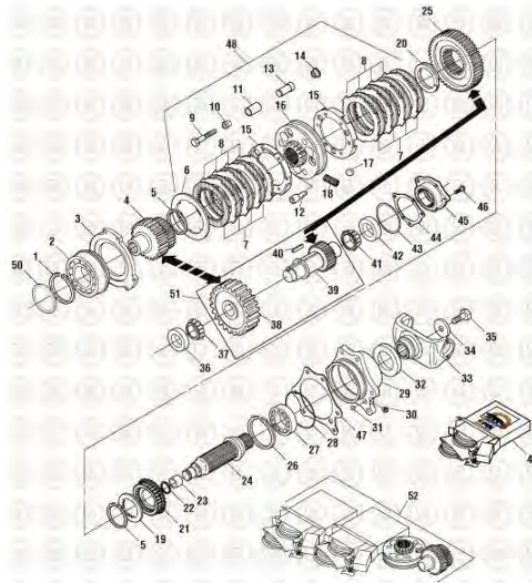
KEY	OEM REFERENCE	DESCRIPTION	KEY	OEM REFERENCE	DESCRIPTION
27	MAK46AX522	BEARING (w/ Oil Control Sleeve)	47	MAK629KB331A	GASKET
27	MAK46AX489	BEARING (15 Rollers)	48	MAK320KB3140C	ASSY, Synchronizer (Early) Includes (1)GGB-2532 (3)GSL-2524 (3)GCL-2516 (3)GPN-2521 (6)GDB-1665 (8)GSD-2525 (2)GSH-2515 (3)GSC-2201 (3)GCL-2517 (3)GPN-2522 (6)GSP-1669 (8)GSD-2526)
28	MAK56AX432	O-RING	49	MAK208SH99	KIT, Synchronizer Includes (8)GSD-2525 (8)GSD-2526 (3)GPN-2521 (3)GPN-2522 (6)GPL-2523 (6)GDB-1665 (6)GSP-1668 (6)GSP-1669)
29	MAK406KB464D	COVER (T2090 & T2100)	50	MAK504KC229	RETAINER (Use w/ Early Main Drive Gear)
29	MAK406KB234A	COVER	50	MAK31KD2136	RETAINER (Use w/ GGB-6429 or GGB-6202)
30	MAK153KB15	BUSHING, Speedometer Drive	51	MAK605KC476	KIT, Countershaft Includes Countershaft (1)806907 Gear (1)GGB-6481 Key (1)GKY-2689
31	MAK56AX540	O-RING			
32	MAK88AX463	SEAL			
33	MAK8235-176NYS3810	YOKE (1760 Series)			
34	MAK297KB219P2	CLAMP			
35	MAK3AX1803X	SCREW (7/8in-14 x 3in)			
36	MAK64AX292	CUP			
37	MAK62AX487	CONE			
38	MAK757KB4106	GEAR, Main Drive (Keyed)			
38	MAK22031266	GEAR, Main Drive (Splined)			
39	MAK605KC488	COUNTERSHAFT (Keyed)			
39	MAK605KC4243	COUNTERSHAFT (Splined)			
40	MAK42AX641	KEY			
41	MAK62AX292	CONE			
42	MAK64AX16	CUP			
43	MAK56AX541	O-RING			
44	MAK741KC323P3	SHIM (.003in thk)			
44	MAK741KC323P6	SHIM (.006in thk)			
44	MAK741KC323P15	SHIM (.015in thk)			
44	MAK741KC323P30	SHIM (.030in thk)			
45	MAK451KC3112	RETAINER			
46	MAK6AX1317X	SCREW (7/16in-14 x 1-1/4in)			



**MACK TRANSMISSIONS – T2080, T2090 AND T2100 –
REAR CASE COMPONENTS - UPDATED DESIGN
SYNCHRONIZER**

KEY	OEM REFERENCE	DESCRIPTION	KEY	OEM REFERENCE	DESCRIPTION
1	MAK97AX259	RING, Retaining (Use w/ Early Main Drive Gear)	21	MAK84KC46	HUB, Lo Range
2	MAK46AX517	BEARING	21	MAK84KC410	HUB, Lo Range (Used w/ GSA-2498 Synchronizer)
3	MAK451KC420B	RETAINER	22	MAK97AX258	RING, Retaining
4	MAK764KB4270	GEAR, Compound, Main Drive	23	MAK80AX775	BUSHING
4	MAK764KB4278	GEAR, Compound, Main Drive (Used w/ GSA-2498 Synchronizer)	24	MAK601KC422	SHAFT, Main (Current)
5	MAK97AX151	RING, Retaining	25	MAK751KB3348A	GEAR, Lo Range
6	MAK351KC331B	PLATE, Synchronizer	26	MAK97AX274	RING, Retaining
7	MAK495KB361	DISC, Friction (8 req'd)	27	MAK46AX522	BEARING (w/ Oil Control Sleeve)
8	MAK495KB367	DISC, Reaction (8 req'd)	27	MAK46AX489	BEARING, Cage(15 Rollers)
9	MAK6AX1606X	SCREW, Synchronizer (5/16in- 18 x 1-7/8in)	28	MAK56AX432	O-RING
10	MAK298KB213	CLAMP, Support Pin (Front)	29	MAK406KB234A	COVER
11	MAK301KC243C	SLEEVE, Synchronizer Support	30	MAK153KB15	BUSHING, Speedometer Drive
12	MAK301KC34	PIN, Synchronizer (Lo Clutch)	31	MAK56AX540	O-RING
13	MAK301KC33	PIN, Synchronizer (Hi Clutch)	32	MAK88AX463	SEAL
14	MAK298KB214	CLAMP, Support Pin (Rear)	33	MAK8235- 176NYS3810	YOKE (1760 Series)
15	MAK53KC486E	HOUSING, Synchronizer	34	MAK297KB219P2	CLAMP
16	MAK21636360	CLUTCH, Synchronizer (Backtapper Gear) (w/ GSA-2497 & GSA-2498 Syn- chronizer)	35	MAK3AX1803X	SCREW (7/8in-14 x 2-1/4in)
16	MAK320KB459A	CLUTCH, Synchronizer	36	MAK64AX292	CUP
17	MAK48AX17	BALL, Synchronizer	37	MAK62AX487	CONE
18	MAK107KD244	SPRING	38	MAK757KB4106	GEAR, Main Drive (Keyed)
18	MAK58AX276	SPRING	38	MAK22031266	GEAR, Main Drive (Splined)
19	MAK223KD261A	WASHER, Thrust	39	MAK605KC4220	COUNTERSHAFT (w/o PTO) (18 Teeth)
20	MAK97AX284	RING, Retaining	39	MAK605KC488	COUNTERSHAFT (Keyed)
			39	MAK605KC4243	COUNTERSHAFT (Splined Shaft)
			40	MAK42AX641	KEY

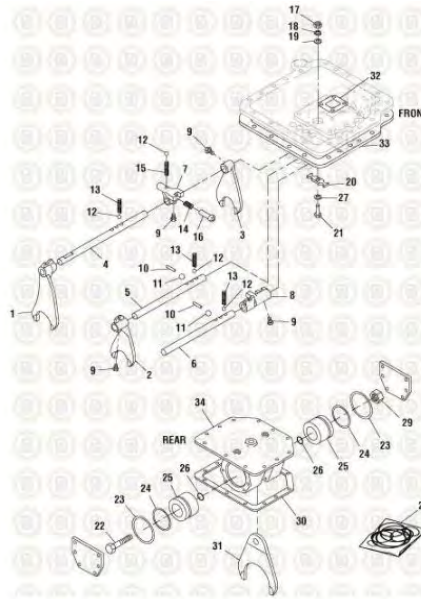
Continued



**MACK TRANSMISSIONS – T2080, T2090 AND T2100 –
REAR CASE COMPONENTS - UPDATED DESIGN
SYNCHRONIZER**

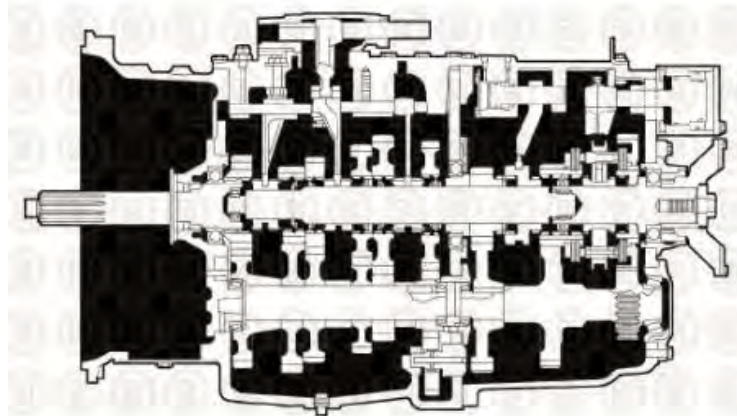
Continued

KEY	OEM REFERENCE	DESCRIPTION	KEY	OEM REFERENCE	DESCRIPTION
41	MAK62AX292	CONE	49	MAK208SH99A	KIT, Synchronizer (Used w/ GSA-2504 Synchronizer) Includes Discs (8)GSD-2525 (8)GSD-2526 Springs (6)GSP-2506 Pins (3)GPN-2507 (3)GPN-2508 (3)GPN-2509 Sleeves (3)GSL-2524
42	MAK64AX16	CUP	50	MAK31KD2136	RETAINER (Use w/ GGB-6429 Gear)
43	MAK56AX541	O-RING	51	MAK605KC476	KIT, Countershaft Includes Countershaft (1)806907 Gear (1)GGB-6481 Key (1)GKY-2689
44	MAK741KC323P3	SHIM (.003in thk)	52	N/A	KIT, Synchronizer Upgrade Includes Hub (1)806810 Gear (1)806831 Synchronizer Assembly (1)GSA-2497
44	MAK741KC323P6	SHIM (.006in thk)			
44	MAK741KC323P15	SHIM (.015in thk)			
44	MAK741KC323P30	SHIM (.030in thk)			
45	MAK451KC3112	RETAINER			
46	MAK6AX1317X	SCREW (7/16in-14 x 1-1/4in)			
47	MAK629KB331A	GASKET			
48	MAK320KB464	ASSEMBLY, Synchronizer Includes Discs (8)GSD-2525 (8)GSD-2526 Clutch (1)GGB-2542 Housings (2)GSH-2515 Sleeves (3)GSL-2524 Screws (3)GSC-2201 Clamps (3)GCL-2516 (3)GCL-2517 Pins (3)GPN-2508 (3)GPN-2509 (3)GPN-2507 Springs (3)GSP-2506			
48	MAK320KB3147	ASSEMBLY, Synchronizer (Updated)(Late-Current) Includes Screws (3)GSC-2201 Pins (3)GPN-2507 Discs (8)GSD-2525 (8)GSD-2526 Spring (3)GSP-2506 Clamps (3)GCL-2516 (3)GCL-2517 Clutch (1)GGB-2499			
49	MAK85132094	KIT, Synchronizer (Backtapper Gear) Includes Discs (8)GSD-2525 (8)GSD-2526 Springs (6)GSP-2506 Pins (3)GPN-2507 (3)GPN-2508 (3)GPN-2509 Sleeves (3)GSL-2524			



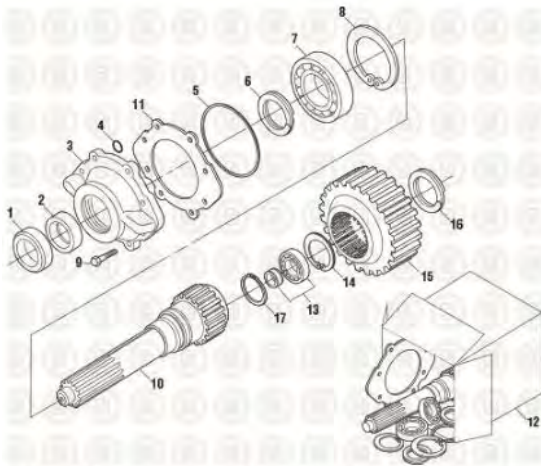
**MACK TRANSMISSIONS – T2080, T2090 AND T2100 –
 SHIFTER COMPONENTS**

KEY	OEM REF.	DESCRIPTION	KEY	OEM REF.	DESCRIPTION
1	MAK575KB3303C	FORK, Shift (4th/5th)	16	MAK411KC18A	PLUNGER
2	MAK575KB3320D	FORK, Shift (2nd/3rd)	17	MAK21AX28	NUT (1/2in-20 NF)
3	MAK575KB3306B	FORK, Shift (1st/Reverse)	18	MAK37AX6	WASHER, Lock
4	MAK591KC3102	RAIL, Shift (1st/Reverse) (T2080)	19	MAK36AX5	WASHER, Flat
4	MAK591KC3164A	RAIL, Shift (1st/Reverse) (T2090 & T2100)	20	MAK521CK114	ROCKER
5	MAK591KC3100	RAIL, Shift (2nd/3rd) (T2080)	21	MAK311KC215	PIN, Pivot (T2080)
5	MAK591KC3165A	RAIL, Shift (2nd/3rd) (T2090 & T2100)	21	MAK3AX2050	PIN, Pivot (T2090 & T2100)
6	MAK591KC3127	RAIL, Shift (4th/5th) (T2080)	22	MAK3AX1935	SCREW
6	MAK591KC3166A	RAIL, Shift (4th/5th) (T2090 & T2100)	23	MAK56AX534	O-RING
7	MAK699KC328	SHIFTER (1st/Rev.) (T2080)	24	MAK56AX513	O-RING
7	MAK699KC42	SHIFTER (1st/Rev) (T2090 & T2100)	25	MAK336KC311	PISTON
8	MAK699KC329	SHIFTER (4th/5th) (T2090)	26	MAK56AX533	O-RING
8	MAK699KC43	SHIFTER (4th/5th) (T2090 & T2100)	27	MAK35AX1446X	WASHER
9	MAK7AX264X	SCREW, Lock (Dog Point) (7/16in-20)	28	MAK207SH35	KIT, O-Ring (T2090 & T2100) Includes O-Rings (2)GGA-2946 (2)GGA-2951 (2)GGA-2947
10	MAK301KC242	PIN, Interlock	29	MAK21AX360	NUT
10	MAK301KC248	PIN, Interlock (T2090 & T2100)	30	MAK629KB318	GASKET, Cover
11	MAK48AX19	BALL, Detent (13/16in Dia.) (T2090 & T2100)	31	MAK575KB450	FORK
11	MAK48AX12	BALL, Detent (3/4in Dia.)	32	MAK629KB250	GASKET, Shifter
12	MAK48AX17	BALL, Detent (1/2in Dia.)	33	MAK629KB411	GASKET, Shifter Cover
13	MAK107KD157	SPRING	34	MAK393KB56	COVER, Auxiliary Shift
14	MAK107KD118	SPRING			
15	MAK107KD116	SPRING			



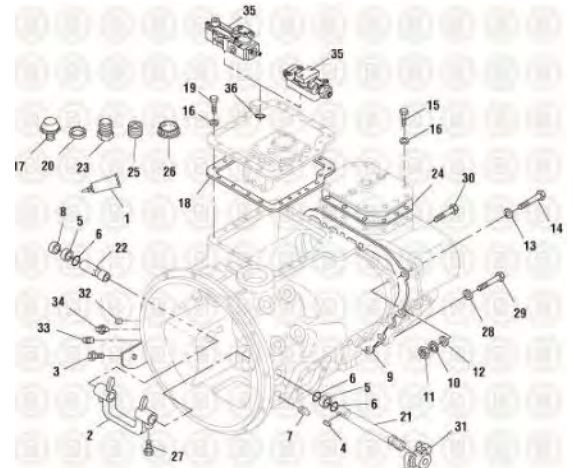
**MACK TRANSMISSIONS – T2080B – 8 SPEED
 TRANSMISSION - KITS**

KEY	OEM REF.	DESCRIPTION	KEY	OEM REF.	DESCRIPTION
1	MAK208SH107A	KIT, Bearing and Seal Includes Bearings (2)GBG-6102 (1)GBG-6620 (1)GBG-6133 (1)GSP-3104 (6)GBG-6037 (3)GBG-6071 (3)GCU-6034 (1)GBG-6594 (1)GBG-6083 (3)GBG-6035 (6)GCU-6038 (1)GBG-7319 (3)GBG-6033 (3)GCU-6036 Gaskets (1)GGK-3836 Kit (1)GGS-3838 O-Ring (1)321229 O-Ring Kit (1)GKT-3748 Rings (1)GSP-5988 Kit (1)GRK-2774 Washers (3)GWA-5973 (1)GWA-5984 (6)GWA-5983 (6)GTW-5998 (3)GWA-5972 (1)GTW-5999 Springs (1)GSP-1671 (1)GSP-1672 (1)GSP-1673 (3)GSP-1676	3	MAK342SH592	KIT, Retaining Ring Includes Rings (1)GRI-2701 (1)GRI-2714 (1)GRI-2719 (6)GRI-2734 (2)GRI-2784 (5)GRI-2785 (1)GRI-2786 (1)GRI-2787 (1)GRI-2795 (1)GRI-2797 (1)GRI-2798 (1)GRI-2799 (1)ESR-2832
2	MAK207SH31B	KIT, Gasket Includes Gaskets (1)GGK-3839 (1)GGK-3921 (1)GGK-3924 (1)EGK-3836 (1)GGK-3837 Seals (3)GOS-6201 (1)GOS-6720 (1)GOS-6951 O-Rings (1)GGA-2931 (1)GGA-2932 (1)GGA-2933 (1)GGA-2934 (1)GGA-2935 (1)GGA-2936(1)GGA-2937 (1)GGA-2938 (3)GGA-2942 (1)GGA-2954 (1)BGA-3004 (1)EF30180 (3)GGA-2949 (1)GGA-2946 (1)EGS-3905-009 (1)321229 Sealant (1)BSR-0385	4	MAK207SH34	KIT, Shim Includes Shims (3)GSH-5995-015 (3)GSH-5995-030 (3)GSH-5996-003 (3)GSH-5996-006 (3)GSH-5996-015 (3)GSH-5996-030 (3)GSH-5996-006 (3)GSH-5995-003



MACK TRANSMISSIONS – T2080B – INPUT SHAFT COMPONENTS

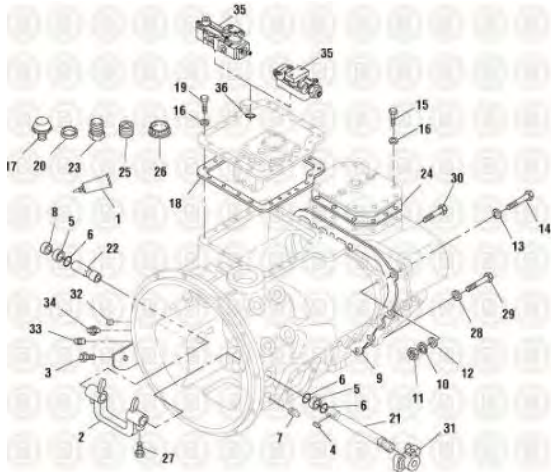
KEY	OEM REF.	DESCRIPTION
1	MAK88AX454	SEAL, Oil
2	MAK789KC117	SLEEVE, Oil Pump (Non-Current)
3	MAK403KB295	COVER, Main Drive
4	MAK56AX543	O-RING, Cover
5	MAK56AX347	O-RING, Cover
6	MAK97AX226	RING, Retainer
7	MAK46AX516	BEARING, Main Drive
8	MAK97AX262	RING, Retaining
9	MAK6AX1317X	SCREW (7/16in-14 x 1-1/4in)
10	MAK764KB4203E	GEAR, Main Drive
11	MAK629KB328B	GASKET, Front Cover
12	N/A	KIT, Input Shaft (w/o Oil Pump and w/o Flywheel PTO units) Includes Main Drive Gear (1)EM67350 Gasket (1)GGK-3921 Seal (1)EM67200 Rings (1)GRI-2714 (1)GRI-2798 (1)GRI-2701 (1)ESR-2832 (1)GRI-2797 Bearings (1)EM65930 (1)EM66200
13	MAK67AX311	BEARING
14	MAK97AX125	RING, Retaining
15	MAK764KB3267A	GEAR, Pinion
16	MAK97AX260	RING, Retaining
17	MAK97AX54	RING, Retaining



MACK TRANSMISSIONS – T2080B – COMPOUND AND MAIN CASE ASSEMBLY

KEY	OEM REF.	DESCRIPTION
1	MAK3092340	SEALANT, Silicone Rubber (Cartridge gun tube 310 ml)
1	MAK342SX32	SEALANT, Silicone Rubber
2	MAK301KD43B	YOKE, Clutch Release
3	MAK6AX1359X	SCREW (3/8in-16 x 1in)
4	MAK43AX41	KEY
5	MAK67AX204	BEARING (2req'd)
6	MAK88AX349P3	SEAL
7	MAK44AX115	FITTING, Grease (1/8in x 27 thd)
8	MAK79AX71	PLUG (1-1/4in Cup)
9	MAK629KB53A	GASKET
10	MAK36AX5	WASHER, Lock
11	MAK20AX5	NUT
12	MAK37AX10	WASHER, Flat
13	MAK37AX98	WASHER
14	MAK90KB111A	SCREW, Dowel
15	MAK6AX1309X	SCREW (3/8in-16 x 1-1/2in)
16	MAK37AX7U	WASHER
17	MAK541KB23	BREATHER
18	MAK629KB411	GASKET, Cover
19	MAK6AX1308X	SCREW (3/8in-16 x 1-1/4in)
20	MAK79AX57X	PLUG (7/8in Cup)
21	MAK604KC34A	SHAFT, Clutch Release
22	MAK604KC277A	SHAFT, Clutch Release
23	MAK49AX262	PLUG, Shift Rail
24	MAK629KB335A	GASKET, Cover
25	MAK49AX234Z	PLUG, Temperature Sending Unit Boss (1/4in NPT)
26	MAK49AX259	PLUG, Pivot

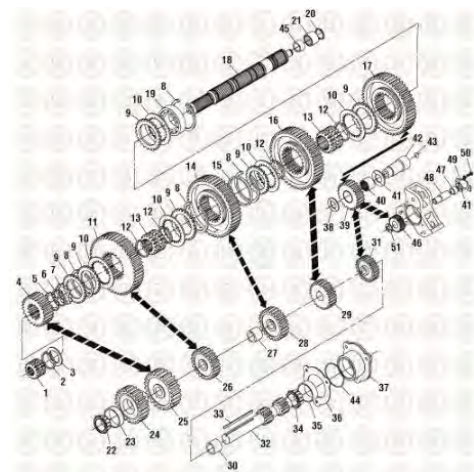
Continued



MACK TRANSMISSIONS – T2080B – COMPOUND AND MAIN CASE ASSEMBLY

Continued

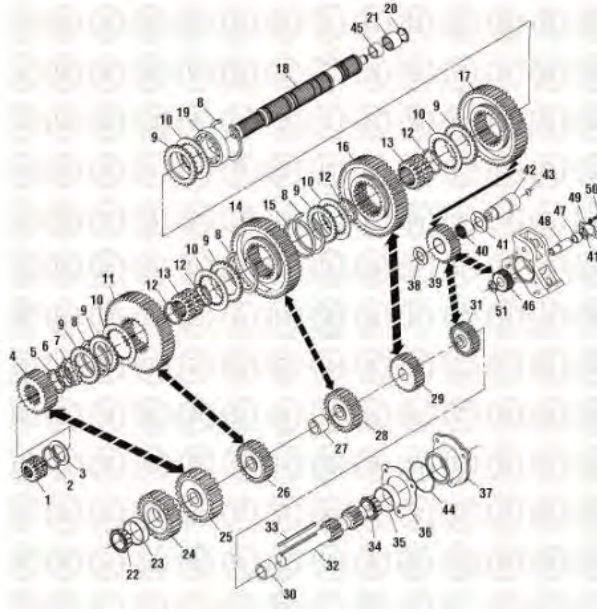
KEY	OEM REF.	DESCRIPTION
27	MAK7AX264X	SCREW, Lock (Dog Point) (2req'd)
28	MAK37AX474	WASHER
29	MAK6AX1327	SCREW, Long (1/2in-13 x 2in)
30	MAK6AX1325	SCREW, Short (1/2in-13 x 1-3/4in)
31	MAK14RU265B	LEVER, Adjusting (Straight Side Spline)
31	MAK4RU362	LEVER (Involute Spline)
32	MAK49AX224	PLUG, Magnetic Filler
33	MAK63AX1041	PLUG, Oil Fill
34	MAK44AX115	FITTING, Grease (1/8in x 27 thd)
35	MAK216KD41	VALVE, Slave (Early)
35	MAK216KD42B	VALVE, Slave (Current)
36	MAK56AX436	O-RING, Mounting



MACK TRANSMISSIONS – T2080B – MAIN CASE COMPONENTS

KEY	OEM REF.	DESCRIPTION
1	MAK320KB3136	CLUTCH, Sliding
2	MAK97AX238	RING, Retaining (Use w/ Early Mainshaft)
2	MAK555AM4	RING, Retaining (Use w/ Current Mainshafts)
3	MAK223KD241	WASHER, Thrust (1 req'd)
4	MAK751KB3450A	GEAR, Mainshaft (4th/8th)
5	MAK223KD317A	WASHER, Thrust (1 req'd)
6	MAK97AX266	RING, Retaining
7	MAK223KD253	WASHER, Thrust
8	MAK97AX171	RING, Retaining
9	MAK223KD316A	WASHER, Thrust (5 req'd)
10	MAK223KD249	WASHER, Thrust (5 req'd)
11	MAK751KB3490A	GEAR, Mainshaft (3rd/8th)
12	MAK97AX151	RING, Retaining (4 req'd)
13	MAK320KB3137A	CLUTCH, Sliding (2 req'd)
14	MAK751KB3372A	GEAR, Mainshaft (2nd/7th)
15	MAK233KD39	WASHER,Thrust
16	MAK751KB3467	GEAR, Mainshaft (1st/6th)
17	MAK751KB3396B	GEAR, Mainshaft, Reverse
18	MAK615KC4204A	MAINSHAFT
19	MAK46AX517	BEARING, Mainshaft (Rear)
20	MAK555AM5	RING, Retaining
21	MAK67AX335	BEARING
22	MAK62AX489	CONE
23	MAK64AX294	CUP
24	MAK757KB445	GEAR, Countershaft, Maindrive (T2080B)
25	MAK757KB444A	GEAR, Countershaft (4th/8th) (T2080B)
26	MAK757KB3321	GEAR, Countershaft
27	MAK31KD2112	SPACER, Countershaft (1-5/8in thk)(T2080B)

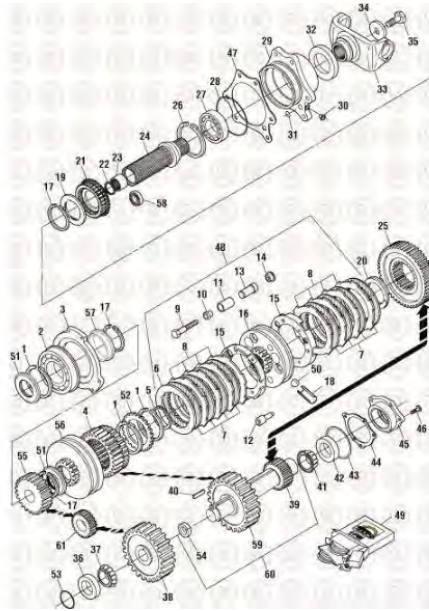
Continued



MACK TRANSMISSIONS – T2080B – MAIN CASE COMPONENTS

Continued

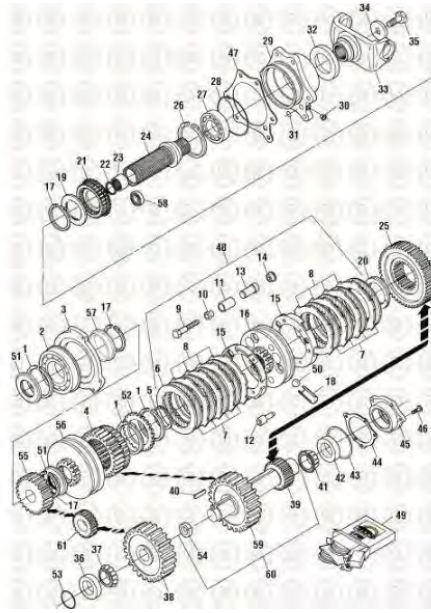
KEY	OEM REF.	DESCRIPTION	KEY	OEM REF.	DESCRIPTION
28	MAK757KB2110	GEAR, Countershaft (1st/5th)(T2080B)	39	MAK751KB284	GEAR, Reverse Idler
29	MAK757KB3316	GEAR, Countershaft	40	MAK67AX334	BEARING
30	MAK31KD2109AP3	SPACER, Countershaft (1-5/16in thk)	41	MAK223KD262	WASHER, Thrust (3 req'd)
31	MAK757KB3177	GEAR, Countershaft, Reverse	42	MAK611KC230	SHAFT, Reverse Idler
32	MAK605KC474A	COUNTERSHAFT	43	MAK79AX39	PLUG, Expansion
33	MAK42AX643	KEY	44	MAK56AX541	O-RING
34	MAK62AX487	CONE	45	TOFIR1816	RACE, Bearing
35	MAK64AX292	CUP	46	MAK751KB2104	GEAR, Reverse Idler
36	MAK741KC321CP3	SHIM (.003in thk)	47	MAK67AX343	BEARING, Reverse Idler
36	MAK741KC321CP5	SHIM (.005in thk)	48	MAK611KC33	SHAFT, Reverse Idler
36	MAK741KC321CP6	SHIM (.006in thk)	49	MAK207KC22	LOCKPLATE, Reverse Idler Shaft
36	MAK741KC321CP7	SHIM (.007in thk)	50	MAK6AX1296X	SCREW, Self Lock (5/16in-18 x 3/4in)
36	MAK741KC321CP15	SHIM (.015in thk)	51	MAK223KD267	WASHER, Thrust
36	MAK741KC321CP30	SHIM (.030in thk)			
36	MAK741KC321P40	SHIM (.040in thk)			
36	MAK741KC321P50	SHIM (.050in thk)			
36	MAK741KC321P60	SHIM (.060in thk)			
36	MAK741KC323AP5	SHIM (.005in thk)			
36	MAK741KC323AP7	SHIM (.007in thk)			
36	MAK741KC323P70	SHIM (.070in thk)			
36	MAK741KC323P80	SHIM (.080in thk)			
36	MAK741KC323P90	SHIM (.090in thk)			
36	MAK741K-C323AP100	SHIM (.100in thk)			
37	MAK751KC3108A	RETAINER			
38	MAK223KD262P2	WASHER, Thrust (3 req'd)			



MACK TRANSMISSIONS – T2080B – REAR CASE COMPONENTS

KEY	OEM REF.	DESCRIPTION	KEY	OEM REF.	DESCRIPTION
1	MAK97AX267	RING, Retaining	17	MAK97AX151	RING, Retaining (Use w/ Mainshaft GMS-5948)
2	MAK46AX517	BEARING	17	MAK555AM7	RING, Retaining (Use w/ Mainshaft GMS-5966)
3	MAK451KC420B	RETAINER	18	MAK107KD247	SPRING
4	MAK751KB4128	GEAR, Compound, Main Drive (Use w/ Update Synchronizer & Original Output Shaft)	19	MAK223KD249	WASHER, Thrust (Use w/ Hub GGB-6209)
4	MAK751KB4123	GEAR, Compound, Main Drive (Current) (Use w/ Mainshaft GMS-5966 & Synchronizer Assembly GSA- 2504)	20	MAK97AX284	RING, Retaining
4	MAK751KB4176	GEAR, Compound, Main Drive (Use w/ GSA-2498 Synchronizer)	21	MAK84KC47	HUB, Lo Range (Current)
5	MAK97AX171	RING, Retaining	21	MAK84KC411	HUB, Lo Range (Use w/ GSA-2498 Synchronizer)
6	MAK351KC331B	PLATE, Synchronizer	22	MAK97AX265	RING, Retaining
7	MAK495KB361	DISC, Friction (8 req'd)	23	MAK67AX335	BEARING, Roller
8	MAK495KB367	DISC, Reaction (8 req'd)	24	MAK601KC441	MAINSHAFT (Early)
9	MAK6AX1606X	SCREW, Synchronizer (5/16in-18 x 1-7/8in)	24	MAK601KC442	MAINSHAFT (Replaces 601KC429)
10	MAK298KB213	CLAMP, Support Pin (Front)	25	MAK751KB3493	GEAR, Lo Range
11	MAK301KC243C	SLEEVE, Synchronizer Support	26	MAK97AX274	RING, Retaining
12	MAK301KC34	PIN, Synchronizer (Lo Clutch)	27	MAK46AX522	BEARING (w/ Oil Control Sleeve)
13	MAK301KC33	PIN, Synchronizer (Hi Clutch)	28	MAK56AX432	O-RING
14	MAK298KB214	CLAMP, Support Pin (Rear)	29	MAK406KB234A	COVER
15	MAK53KC486E	HOUSING, Synchronizer	30	MAK153KB15	BUSHING, Speedometer Drive
16	MAK21636360	CLUTCH, Synchronizer (Backtapper Gear) (w/ GSA-2497 & GSA-2498 Synchronizer)	31	MAK56AX540	O-RING
16	MAK320KB459A	CLUTCH, Synchronizer (Current)	32	MAK88AX463	SEAL
			33	N/A	YOKE
			34	MAK297KB219P2	CLAMP
			35	MAK3AX1803X	SCREW (7/8in-14 x 2-1/4in)
			36	MAK64AX292	CUP

Continued

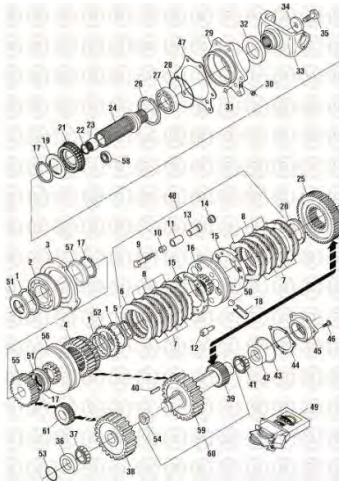


MACK TRANSMISSIONS – T2080B – REAR CASE COMPONENTS

Continued

KEY	OEM REF.	DESCRIPTION	KEY	OEM REF.	DESCRIPTION
37	MAK62AX487	CONE	49	MAK208SH99A	KIT, Synchronizer (For GSA-2504) Includes Discs (8)GSD-2525 (8)GSD-2526 Pins (3)GPN-2508 (3)GPN-2509 (3)GPN-2507 Springs (3)GSP-2506 Sleeves (3)GSL-2524
38	MAK757KB3326	GEAR, Maindrive (43 Teeth)	48	MAK320KB3147	ASSEMBLY, Synchronizer (Current) Includes Discs (8)GSD-2525 (8)GSD-2526 Clutch (1)GGB-2542 Housings (2)GSH-2515 Sleeves (3)GSL-2524 Screws (3)GSC-2201 Clamps (3)GCL-2516 (3)GCL-2517 Pins (3)GPN-2508 (3)GPN-2509 (3)GPN-2507 Springs (3)GSP-2506
39	MAK605KC4227	COUNTERSHAFT (Current)	50	MAK48AX17	BALL, Synchronizer
40	MAK42AX647	KEY (1/2in x 5-7/16in)	51	MAK31KD2136	RETAINER (Use w/ GGB-6429 or GGB-6202)
40	MAK42AX641	KEY (1/2in x 1-7/8in) (Use w/ GSC-8954 Countershaft)	52	MAK223KD316A	WASHER, Thrust
41	MAK62AX292	CONE	53	MAK56AX539	O-RING ,Countershaft, Forward Bearing Retainer
42	MAK64AX16	CUP	54	MAK31KD2109AP2	SPACER, Countershaft (1-5/8in Thk.)
43	MAK56AX541	O-RING	55	MAK751KB3495A	GEAR, Compound
44	MAK741KC323P3	SHIM (.003in thk)	56	MAK320KB3141	CLUTCH
44	MAK741KC323P6	SHIM (.006in thk)	57	MAK788KC286	SLEEVE
44	MAK741KC323P15	SHIM (.015in thk)	58	MAK46AX538	BEARING, Roller
44	MAK741KC323P30	SHIM (.030in thk)	59	MAK757KB4106	GEAR, CountershaftAuxiliary (Keyed)
45	MAK451KC3112	RETAINTER			
46	MAK6AX1317X	SCREW (7/16in-14 x 1-1/4in)			
47	MAK629KB331A	GASKET			
48	MAK320KB464	ASSEMBLY, Synchronizer Includes Synchro Assembly (1)GSA-2498 Sleeve (3)GSL-2524 Pins (3)GPN-2509 (3)GPN-2508 Housing (2)GSH-2515			
48	MAK85132094	ASSEMBLY, Synchronizer (Backtapper Gear) Includes Discs (8)GSD-2525 (8)GSD-2526 Pins (3)GPN-2507 Spring (3)GSP-2506 Screws (3)GSC-2201 Clamps (3)GCL-2516 (3)GCL-2517 Clutch (1)GGB-2499			

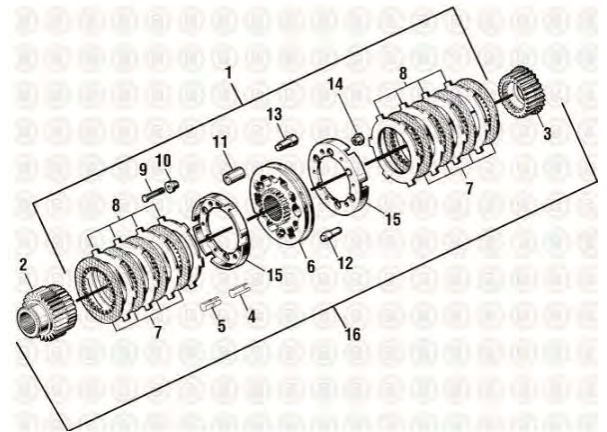
Continued



MACK TRANSMISSIONS – T2080B – REAR CASE COMPONENTS

Continued

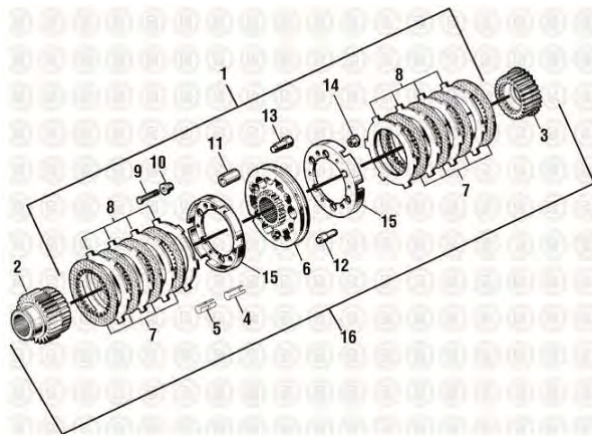
KEY	OEM REF.	DESCRIPTION
59	MAK22031266	GEAR, Countershaft, Auxiliary (Splined)
60	MAK605KC4134	KIT, Countershaft, Compound Includes Countershaft (1)GCS-8945 Gear (1)GGB-6481 Spacer (1)GSP-1063-002 Keys (2)GKY-2689
61	MAK751KB2104	GEAR, Reverse Idler



MACK TRANSMISSIONS – T2080B – SYNCHRONIZER UPDATE

KEY	OEM REF.	DESCRIPTION
1	MAK320KB464	ASSEMBLY, Synchronizer (Complete) Includes Synchro Assembly (1)GSA-2498 Sleeves (3)GSL-2524 Pins (3)GPN-2509 (3)GPN-2509 Housings (2)GSH-2515
1	MAK320KB3147	ASSEMBLY, Synchronizer (Replaces GSA-2505) Includes Discs (8)GSD-2525 (8)GSD-2526 Clutch (1)GGB-2542 Housing (2)GSH-2515 Sleeves (3)GSL-2524 Screws (3)GSC-2201 Clamps (3)GCL-2516 (3)GCL-2517 Pins (3)GPN-2508 (3)GPN-2509 (3)GPN-2507 Springs (3)GSP-2506
2	MAK751KB4128	GEAR, Main Drive (Use with Original Mainshaft)
2	MAK751KB4123	GEAR, Main Drive (Use with Mainshaft Update)
2	MAK751KB4176	GEAR, Main Drive (Used w/ GSA-2497 Synchronizer)
3	MAK84KC47	HUB, Lo Range(Replaces GGB-6209)
3	MAK84KC411	HUB,Lo Range (Used w/ GSA-2498 Synchronizer)
4	MAK107KD247	SPRING
5	MAK301KC35	PIN, Synchronizer
6	MAK21636360	CLUTCH, Synchronizer (Backtapper Gear) (Use with Mainshaft Update)
6	MAK320KB459A	CLUTCH, Synchronizer (Current)
7	MAK495KB361	DISC, Friction (8 req'd)
8	MAK495KB367	DISC, Reaction (8 req'd)

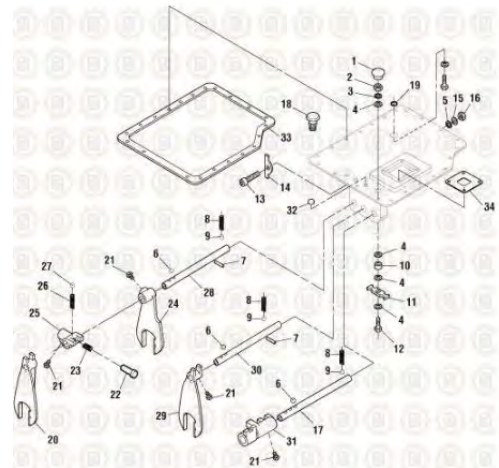
Continued



MACK TRANSMISSIONS – T2080B – SYNCHRONIZER UPDATE

Continued

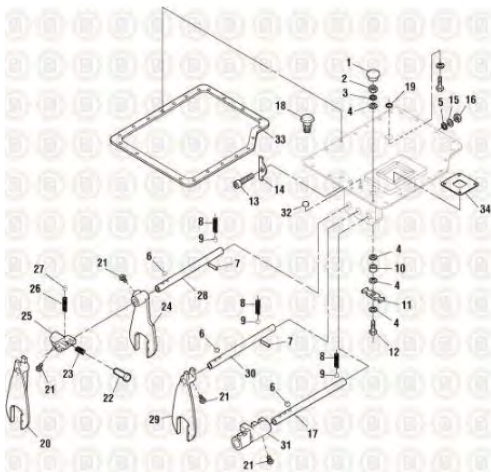
KEY	OEM REF.	DESCRIPTION
9	MAK6AX1606X	SCREW, Synchronizer (5/16in-18 x 1-3/4in)
10	MAK298KB213	CLAMP, Support Pin (Front)
11	MAK301KC243C	SLEEVE, Synchronizer Support
12	MAK301KC34	PIN, Synchronizer (Lo Clutch) (Update)
13	MAK301KC33	PIN, Synchronizer (Hi Clutch) (Update)
14	MAK298KB214	CLAMP, Support Pin (Rear)
15	MAK53KC486E	HOUSING, Synchronizer
16	N/A	KIT, Synchronizer Upgrade Synchronizer Assembly (1)GSA-2497



MACK TRANSMISSIONS – T2080B – FRONT SHIFTER COMPONENTS

KEY	OEM REF.	DESCRIPTION
1	MAK49AX259	PLUG
2	MAK21AX918	NUT
3	MAK36AX5	WASHER, Lock (1/2in)
4	MAK35AX1446X	WASHER
5	MAK37AX7U	WASHER
6	MAK48AX19	BALL, Interlock (13/16in dia.)
7	MAK301KC248	PIN, Shift Rail Interlock
8	MAK107KD157	SPRING, Shift Rail (Till 8/15/2000)
8	MAK107KC256	SPRING, Shift Rail (8/16/2000 and Newer)
9	MAK48AX17	BALL, Shift Rail (3/8in dia.)
10	MAK31KD2169	SPACER
11	MAK521KC114	ROCKER
12	MAK311KC215	BOLT, Hex Head (1/2-20in x 2-1/2in)
13	MAK311KC28A	PIN
14	MAK521KC216	ROCKER, Range Shift
15	MAK36AX3	WASHER (13/32in ID x 3/4in OD)
16	MAK20AX3	NUT (3/8in-24 NF)
17	MAK591KC3166	RAIL, Shift (4th /5th)
18	MAK541KB25	BREATHER
19	MAK56AX436	O-RING, Lo/Direct Range Shift
20	MAK575KB3303C	FORK
21	MAK7AX264X	SCREW
22	MAK411KC18A	PLUNGER
23	MAK107KD118	SPRING
24	MAK575KB3306B	FORK, Shift (1st Reverse)
25	MAK699KC328	SHIFTER (1st Reverse)
26	MAK107KD116	SPRING

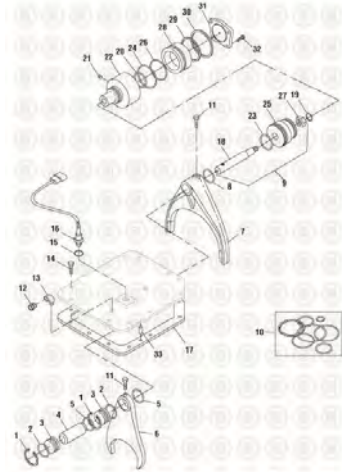
Continued



MACK TRANSMISSIONS – T2080B – FRONT SHIFTER COMPONENTS

Continued

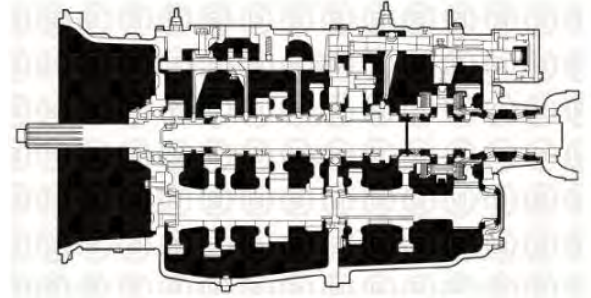
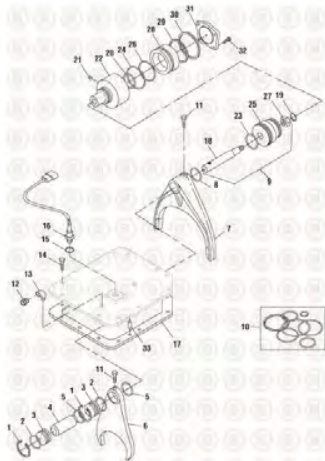
KEY	OEM REF.	DESCRIPTION
27	MAK48AX17	BALL
28	MAK591KC3164A	RAIL, Shift (1st/Reverse)
29	MAK575KB3320D	FORK
30	MAK591KC3165A	RAIL, Shift (2nd/3rd)
31	MAK699KC329A	SHIFTER (4th/5th)
32	MAK79AX57X	PLUG
33	MAK629KB411	GASKET
34	MAK629KB250	GASKET, Shifter



MACK TRANSMISSIONS – T2080B – REAR SHIFTER COMPONENTS

KEY	OEM REF.	DESCRIPTION
1	MAK97AX113	RING, Retaining (1-1/4in ID)
2	MAK56AX568	O-RING (1-7/16in OD-1-3/16in ID) (2 req'd)
3	MAK336KC221	PLUG, Shift Cover (3/4in ID)
4	MAK591KC3177	RAIL, Forward-Reverse (Multi-Speed)
5	FUL14765	O-RING (1in ID x 1/4in OD) (2 req'd)
6	MAK575KB467A	FORK, Hi-Reverse
7	MAK575KB457	FORK, Range (Hi-Lo)
8	MAK56AX557	O-RING (2-5/16in ID x 2-1/2in OD)
9	MAK591KC2370	ASSEMBLY, Rail
10	N/A	KIT,O-Ring Range Includes O-Rings (1)GGA-3946 (1)EGS-3905-009 (1)GGA-2933 (1)GGA-2934 (1)GGA-2936 (1)EF30180 (1)GGA-2954
11	MAK7AX264X	SCREW
12	MAK63AX6	BUSHING, Reducer (1/4-1/8in NPT)
13	MAK745-230809	FITTING
14	MAK551KC28	SCREW (3/8-16 NC X 1-1/4in)
15	MAK56AX381	O-RING
16	MAK1MR3482M	SWITCH, Back-up (w/Connector) (Normally Open)
17	MAK629KB335A	GASKET, Cover Rear
18	MAK591KC3180	RAIL
19	MAK446GC1103	O-RING
20	MAK56AX557	O-RING
21	MAK541KB19	BREATHER
22	MAK55KC420	CYLINDER, Range
23	MAK56AX533	O-RING

Continued



MACK TRANSMISSIONS – T2080B – REAR SHIFTER COMPONENTS

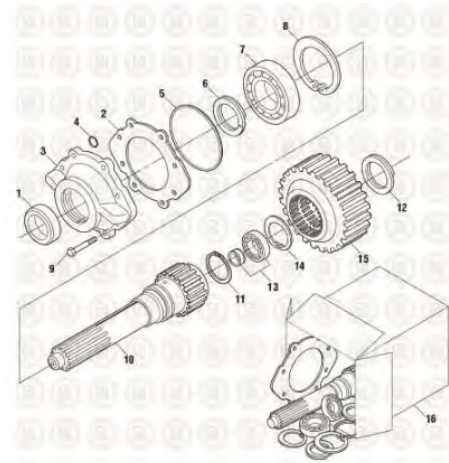
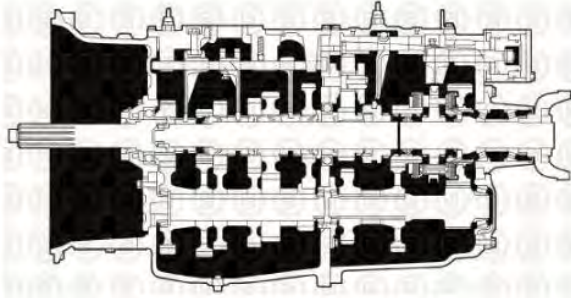
Continued

KEY	OEM REF.	DESCRIPTION
24	MAK56AX561	O-RING
25	MAK336KC335	PISTON, Range
26	MAK56AX559	O-RING
27	MAK21AX360	NUT
28	MAK33KC334	PISTON, Range
29	FUL17453	O-RING
30	MAK56AX558	O-RING
31	MAK414KC3113	COVER
32	MAK6AX1710	BOLT
33	MAK502KB113	DOWEL

MACK TRANSMISSIONS – T2110 B AND D – 11 SPEED TRANSMISSION - MULTI-SPEED REVERSE

KEY	OEM REF.	DESCRIPTION
1	N/A	KIT, Bearing & Seal Includes Bearings (1)GBG-6593 (6)GBG-6037 (3)GBG-6148 (2)GBG-6102 (1)GBG-6620 (3)GBG-6035 (6)GCU-6038 (3)GCU-6036 (1)GBG-6083 (3)GCU-6034 (3)GBG-6033 (2)GCU-8969 (1)GBG-8967 (1)GBG-8968 Gasket Kit (1)GBK-8955-300 O-Rings (1)321229 (2)EF30150 (1)GGA-2937 O-Ring Kit (1)GBK-5942-200 Rings (1)GSP-5988 Ring Kit (91)GBK-8955-100 Washers (3)GWA-5919 (1)GWA-5984 (1)GWA-5983 (3)GWA-5972 (1)GTW-5999 (4)GTW-5998 Springs (1)GSP-1672 (1)GSP-1673 (3)GSP-1676 Balls (4)GDB-1665 Plugs (2)GPP-3571 (1)GCP-3495 (1)GPP-3578 Shim Kit (1)GBK-6565-400
2	MAK207SH42	KIT, Gasket & Seal Includes Gaskets (1)GGK-3924 (1)GGK-3921 (1)GGK-3839 (1)GGK-3836 (1)GGK-3837 (1)GGK-3834 (1)GGK-2913 Seals (3)GOS-6201 (1)GOS-6720 (1)GOS-6951 Sealant (1)BSR-0385 O-Rings (1)GGA-2933 (3)GGA-2942 (3)GGA-2949 (1)321229 (2)EF30150 (1)GGA-2937
3	MAK207SH34	KIT, Shim Includes Shims (3)GSH-5995-003 (3)GSH-5995-006 (3)GSH-5996-015 (3)GSH-5995-030 (3)GSH-5996-003 (3)GSH-5996-006 (3)GSH-5996-015 (3)GSH-5996-030

Continued

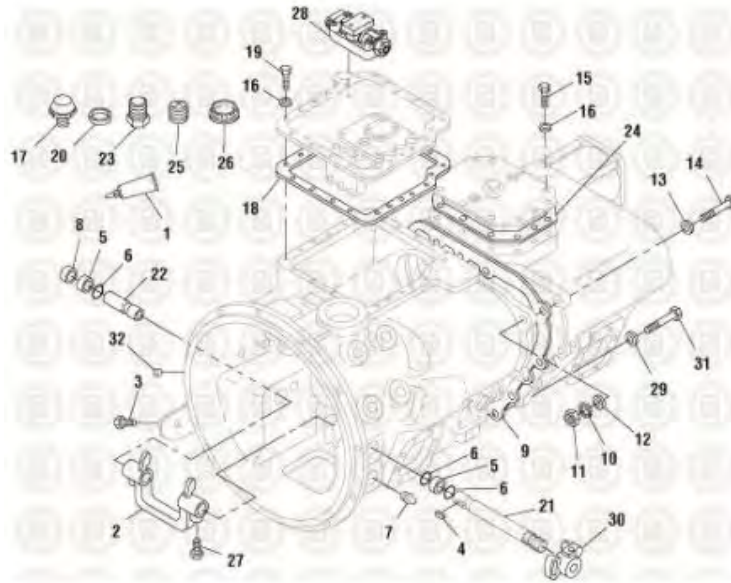


**MACK TRANSMISSIONS – T2110 B AND D – 11 SPEED
TRANSMISSION - MULTI-SPEED REVERSE**
Continued

KEY	OEM REF.	DESCRIPTION
4	N/A	KIT, O-Ring Includes O-Rings (3)GGA-2942 (1)GGA-2932 (1)GGA-2954 (1)EGS-3905-009 (1)GGA-2933 (1)GGA-2934 (1)GGA-2935 (1)EF30180 (1)GGA-2936 (1)EF30150 (2)GGA-2937 (3)GGA-2949 (1)GGA-2946 (1)GGA-2956
5	N/A	KIT, Retaining Rings Includes Rings (1)GRI-2701 (1)GRI-2714 (5)GRI-2735 (1)GRI-2784 (2)GRI-2787 (1)GRI-2797 (1)GRI-2798 (1)GRI-2824 (10)GRI-2734

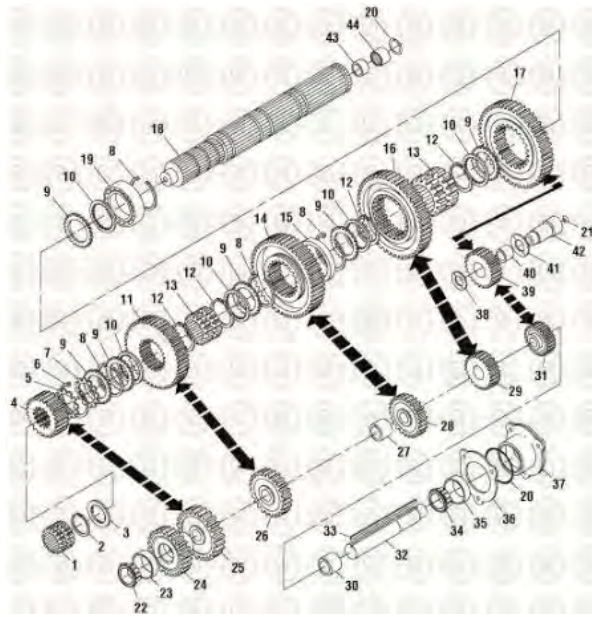
**MACK TRANSMISSIONS – T2110 B AND D – INPUT
SHAFT COMPONENTS**

KEY	OEM REF.	DESCRIPTION
1	MAK88AX454	SEAL, Oil
2	MAK629KB328B	GASKET, Front Cover
3	MAK403KB295	COVER, Main Drive
4	MAK56AX543	O-RING, Cover
5	MAK56AX347	O-RING, Cover
6	MAK97AX226	RING, Retaining
7	MAK46AX410	BEARING, Main Drive
8	MAK97AX262	RING, Retaining
9	MAK6AX1317X	SCREW (7/16in-14 x 1-1/4in)
10	MAK764KB4203E	GEAR, Main Drive
11	MAK97AX54	RING, Retaining
12	MAK97AX260	RING, Retaining
13	MAK67AX311	BEARING
14	MAK97AX125	RING, Retaining
15	MAK764KB3260A	GEAR, Pinion
16	N/A	KIT, Input Shaft (w/o Oil Pump and w/o Flywheel PTO units) Includes Main Drive Gear (1)EM67350 Gasket (1)GGK-3921 Seal (1)EM67200 Rings (1)GRI-2714 (1)GRI-2798 (1)GRI-2701 (1)ESR-2832 (1)GRI-2797 Bearings (1)EM65930 (1)EM66200



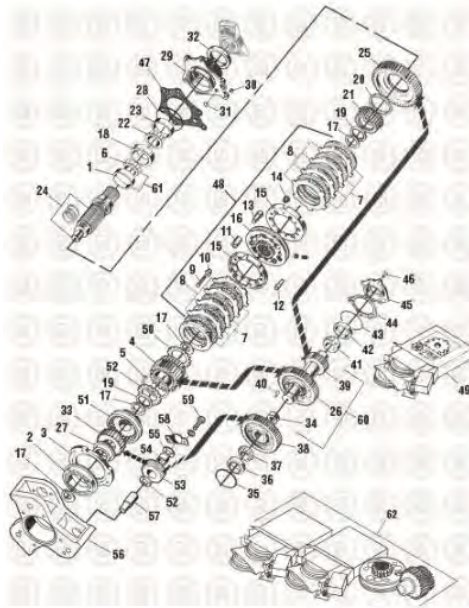
MACK TRANSMISSIONS – T2110 B AND D – COMPOUND AND MAIN CASE ASSEMBLY

KEY	OEM REF.	DESCRIPTION	KEY	OEM REF.	DESCRIPTION
1	MAK3092340	SEALANT, Silicone Rubbe (Cartridge gun tube 310 ml)	25	MAK49AX234Z	PLUG, Temperature Sending Unit Boss (1/4in NPT)
1	MAK342SX32	SEALANT, Silicone Rubber	26	MAK49AX259	PLUG, Pivot
2	MAK301KD43B	YOKE, Clutch Release	27	MAK7AX264X	SCREW, Lock (Dog Point)
3	MAK6AX1359X	SCREW, PTO Cover (3/8in-16 x 1in)	28	MAK216KD41	VALVE, Slave (Early)
4	MAK43AX41	KEY	28	MAK216KD42B	VALVE, Slave (Current)
5	MAK67AX204	BEARING (2 req'd)	29	MAK35AX1249	WASHER
6	MAK88AX349P3	SEAL	30	MAK14RU265B	LEVER, Adjusting (Straight Side Spline)
7	MAK44AX115	FITTING, Grease (1/8in x 27 Thread)	30	MAK4RU362	LEVER (Involute Spline)
8	MAK79AX71	PLUG, Cup(1-1/4in)	31	MAK6AX1327	SCREW (1/2in-13 x 2in)
9	MAK629KB53A	GASKET	32	MAK49AX224	PLUG, Magnetic Filler
10	MAK36AX5	WASHER, Lock			
11	MAK21AX918	NUT			
12	MAK37AX10	WASHER, Flat			
13	MAK37AX98	WASHER			
14	MAK90KB111A	SCREW, Dowel			
15	MAK551KC29	SCREW (3/8in-16 x 1-1/2in)			
16	MAK37AX7U	WASHER			
17	MAK541KB25	BREATHER			
18	MAK629KB411	GASKET, Cover			
19	MAK551KC28	SCREW			
20	MAK79AX57X	PLUG, Cup(7/8in)			
21	MAK604KC34A	SHAFT, Clutch Release			
22	MAK604KC277A	SHAFT, Clutch Release			
23	MAK49AX262	PLUG, Shift Rail			
24	MAK629KB318	GASKET, Cover			



MACK TRANSMISSIONS – T2110 B AND D – MAIN CASE COMPONENTS

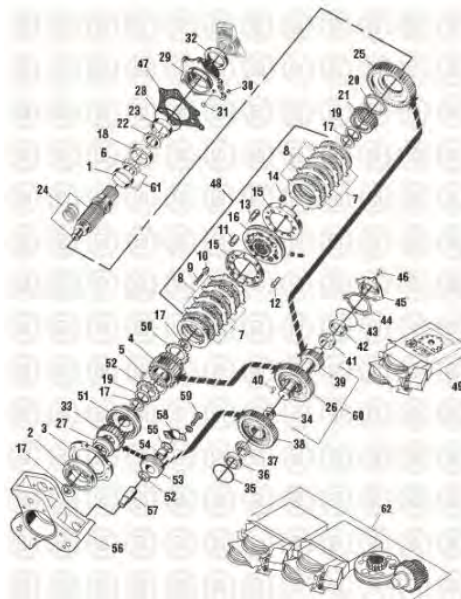
KEY	OEM REF.	DESCRIPTION	KEY	OEM REF.	DESCRIPTION
1	MAK320KB3136	CLUTCH	25	MAK757KB428A	GEAR, Countershaft (4th/8th)
2	MAK97AX238	RING, Retaining (Use w/ Early Mainshaft)	26	MAK757KB3223	GEAR, Countershaft
2	MAK555AM4	RING, Retaining (Use w/ Current Mainshafts)	27	MAK31KD2109AP2	SPACER, Countershaft (1-5/8in thk)
3	MAK223KD241	WASHER, Thrust (1 req'd)	28	MAK757KB3312B	GEAR, Countershaft (1st/5th)
4	MAK751KB3450A	GEAR, Mainshaft (4th/8th)	29	MAK757KB3316	GEAR, Countershaft
5	MAK223KD317A	WASHER, Thrust (1 req'd)	30	MAK31KD2109AP3	SPACER, Countershaft (1-5/16in thk)
6	MAK97AX266	RING, Retaining	31	MAK757KB3177	GEAR, Countershaft, Reverse
7	MAK223KD253	WASHER, Thrust	32	MAK605KC4182	COUNTERSHAFT
8	MAK97AX171	RING, Retaining	33	MAK42AX642	KEY
9	MAK223KD316A	WASHER, Thrust (5 req'd)	34	MAK62AX487	CONE
10	MAK223KD249	WASHER, Thrust (5 req'd)	35	MAK64AX292	CUP
11	MAK751KB3366B	GEAR, Mainshaft (3rd/8th)	36	MAK741KC321CP3	SHIM (.003in thk)
12	MAK97AX151	RING, Retaining (2 req'd)	36	MAK741KC321CP6	SHIM (.006in thk)
13	MAK320KB3137A	CLUTCH, Sliding (2 req'd)	36	MAK741KC321CP15	SHIM (.015in thk)
14	MAK751KB3363A	GEAR, Mainshaft (2nd/7th)	36	MAK741KC321CP30	SHIM (.030in thk)
15	MAK233KD39	WASHER, Thrust	37	MAK451KC398B	RETAINER
16	MAK751KB3466	GEAR, Mainshaft (1st/6th)	38	MAK223KD267	WASHER, Thrust (3 req'd)
17	MAK751KB4122	GEAR, Mainshaft, Reverse	39	MAK751KB2104	GEAR, Reverse Idler
18	MAK615KC4205	MAINSHAFT	40	MAK67AX343	BEARING
19	MAK46AX517	BEARING, Mainshaft (Rear)	41	MAK223KD262	WASHER, Thrust (3 req'd)
20	MAK56AX508	O-RING, Countershaft, Rear Bearing Retainer	42	MAK611KC43	SHAFT, Reverse Idler
21	MAK79AX39	PLUG, Expansion	43	TOFIR1816	RACE, Bearing
22	MAK62AX489	CONE	44	MAK67AX335	BEARING
23	MAK64AX294	CUP			
24	MAK757KB434A	GEAR, Countershaft, Maindrive			



MACK TRANSMISSIONS – T2110 B AND D – REAR CASE COMPONENTS

KEY	OEM REFERENCE	DESCRIPTION	KEY	OEM REFERENCE	DESCRIPTION
1	NTN394A	CUP (Available in Timken by adding -TIM)	18	MAK31KD2176	SPACER
2	MAK46AX517	BEARING	19	MAK223KD249	WASHER, Thrust
3	MAK251KB56	COVER, Bearing Retainer	20	MAK97AX284	RING, Retaining
4	MAK751KB4128	GEAR, Compound, Main Drive	21	MAK84KC47	HUB, Lo Range
4	MAK751KB4177	GEAR	21	MAK84KC411	HUB, Lo Range (Used w/ GSA-2498 Synchronizer)
4	MAK751KB4175	GEAR, Compound (Used w/ GSA-2497 Synchronizer)	22	NTN390A	CONE
5	MAK97AX171	RING, Retaining	23	NTN394A	CUP (Available in Timken by adding -TIM)
6	NTN399A	CONE(Available in Timken by adding -TIM)	24	MAK601KC439P2	MAINSHAFT
7	MAK495KB361	DISC, Friction (8 req'd)	25	MAK751KB3493	GEAR, Lo Range
8	MAK495KB367	DISC, Reaction (8 req'd)	26	MAK757KB4106	GEAR, Auxiliary Countershaft(Keyed)
9	MAK6AX1606X	SCREW, Synchronizer (5/16in-18 x 1-7/8in)	26	MAK22031266	GEAR, Auxiliary Countershaft(Splined)
10	MAK298KB213	CLAMP, Support Pin (Front)	27	MAK788KC286	SLEEVE
11	MAK301KC243C	SLEEVE, Synchronizer Support	28	MAK56AX432	O-RING
12	MAK301KC34	PIN, Synchronizer (Lo Clutch)	29	MAK406KB52	COVER
13	MAK301KC33	PIN, Synchronizer (Hi Clutch)	30	MAK153KB15	BUSHING, Speedometer Drive
14	MAK298KB214	CLAMP, Support Pin (Rear)	31	MAK56AX540	O-RING
15	MAK53KC486E	HOUSING, Synchronizer	32	MAK88AX463	SEAL
16	MAK21636360	CLUTCH, Synchronizer (Backtapper Gear) (Used w/ GSA-2497 & GSA-2498 Synchronizer)	33	MAK751KB3495A	GEAR, Compound
16	MAK320KB459A	CLUTCH, Synchronizer (Used w/ GSA-2497 & GSA-2498 Synchronizer)	34	MAK31KD2109AP2	SPACER, Countershaft (1-5/8in thk.)
17	MAK97AX151	RING, Retaining	35	MAK56AX539	O-RING, Countershaft, Forward Bearing Retainer
			36	MAK64AX292	CUP
			37	MAK62AX487	CONE

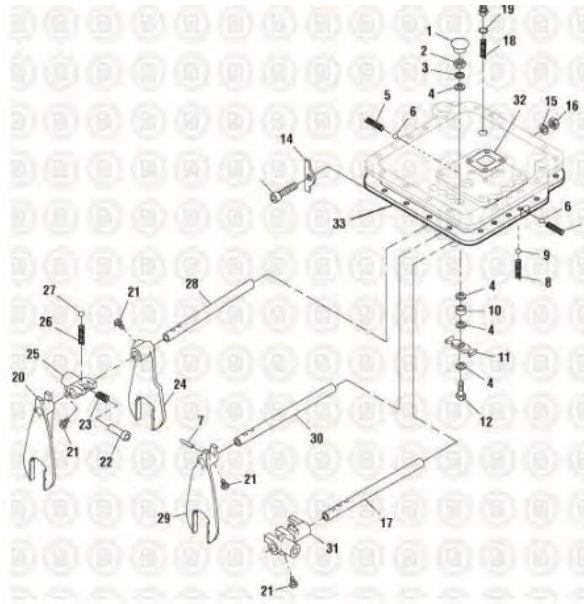
Continued



MACK TRANSMISSIONS – T2110 B AND D – REAR CASE COMPONENTS

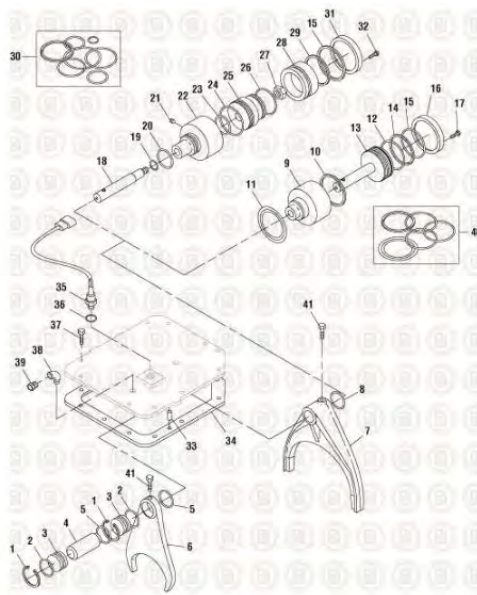
Continued

KEY	OEM REFERENCE	DESCRIPTION	KEY	OEM REFERENCE	DESCRIPTION
38	MAK757KB3326	GEAR, Countershaft Multi-Speed Reverse	49	MAK208SH99A	KIT, Synchronizer Includes Discs (8)GSD-2525 (8)GSD-2526 Pins (3)GPN-2508 (3)GPN-2509 (3) GPN-2507 Springs (3) GSP-2506 Sleeves (3) GSL-2524
39	MAK605KC4227	COUNTERSHAFT (Use w/ (2)GKY-2674 GSP-1063-002, GGB-6481)	50	MAK223KD316A	WASHER, Thrust
40	MAK42AX647	KEY, Countershaft (1/2in x 5-7/16in)	51	MAK320KB3141	CLUTCH
40	MAK42AX641	KEY (1/2in x 1-7/8in) (Use with GSC-8945)	52	MAK223KD267	WASHER, Thrust
41	MAK62AX292	CONE	53	MAK751KB2104	GEAR, Reverse Idler
42	MAK64AX16	CUP	54	MAK67AX343	BEARING, Reverse Idler
43	MAK56AX541	O-RING	55	MAK223KD262	WASHER, Thrust
44	MAK741KC323P3	SHIM (.003in thk)	56	MAK251KB56	CAGE, Reverse Idler Gear
44	MAK741KC323P6	SHIM (.006in thk)	57	MAK611KC333	SHAFT, Reverse Idler
44	MAK741KC323P15	SHIM (.015in thk)	58	MAK207KC22	LOCKPLATE, Reverse Idler Shaft
44	MAK741KC323P30	SHIM (.030in thk)	59	MAK6AX1296X	SCREW, Self Lock (5/16in-18 x 3/4in)
45	MAK451KC3112	RETAINER	60	MAK605KC4134	KIT, Countershaft Includes Countershaft (1)GSC-8945 Gear (1)GGB-6481 Spacer (1)GSP-1063-002 Keys (2)GKY-2689
46	MAK6AX1317X	SCREW (7/16in-14 x 1-1/4in)	61	DDC8929430	KIT, Bearing Includes Bearings (2)GBG-8968 (2)GCU-8969
47	MAK629KB331A	GASKET			
49	MAK85132094	ASSEMBLY, Synchronizer (Backtapper Gear) Includes Screws (3)GSC-2201 Pins (3)GPN-2507 Discs (8)GSD-2525 (8)GSD-2526 Spring (3)GSP-2506 Clamps(3)GCL-2516 (3)GCL-2517 Clutch (1)GGB-2499			
48	MAK320KB3147	ASSEMBLY, Synchronizer			
49	MAK85132094	ASSEMBLY, Synchronizer (Backtapper Gear) (For GSA-2497)			



MACK TRANSMISSIONS – T2110 B AND D – FRONT SHIFTER COMPONENTS

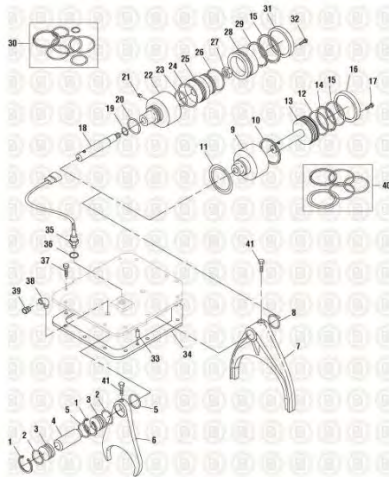
KEY	OEM REF.	DESCRIPTION	KEY	OEM REF.	DESCRIPTION
1	MAK49AX259	PLUG	27	MAK48AX17	BALL
2	MAK21AX918	NUT	28	MAK591KC3164A	RAIL, Shift (1st/Reverse)
3	MAK36AX5	WASHER	29	MAK575KB3320D	FORK
4	MAK35AX1446X	WASHER	30	MAK591KC3165A	RAIL, Shift (2nd/3rd)
5	MAK107KD256	SPRING, Shift Rail	31	MAK699KC43	SHIFTER (4th/5th)
6	MAK48AX19	BALL, Interlock (13/16in dia)	32	MAK629KB250	GASKET, Cover
7	MAK301KC248	PIN	33	MAK629KB411	GASKET
8	MAK107KD256	SPRING, Shift Rail			
9	MAK48AX3	BALL, Shift Rail (3/8in dia.)			
10	MAK31KD2169	SPACER			
11	MAK107KD256	BRACKET, Rocker			
12	MAK3AX2050	BOLT, Hex Head (1/2-20in x 2-1/2in)			
13	MAK3AX1731	SCREW (3/8-24 NF x 1-3/4in)			
14	MAK521KC216	ROCKER, Range Shift			
15	MAK37AX265	WASHER (13/32in ID x 3/4in OD)			
16	MAK20AX3	NUT (3/8in-24 NF)			
17	MAK591KC3166	RAIL, Shift (4th/5th)			
18	MAK107KD242	SPRING			
19	MAK56AX436	O-RING			
20	MAK575KB3303C	FORK			
21	MAK7AX264X	SCREW			
22	MAK411KC18A	PLUNGER			
23	MAK107KD118	SPRING			
24	MAK575KB3306B	FORK			
25	MAK699KC42	SHIFTER (1st/Reverse)			
26	MAK107KD116	SPRING			



MACK TRANSMISSIONS – T2110 B AND D – REAR SHIFTER COMPONENTS

KEY	OEM REF.	DESCRIPTION	KEY	OEM REF.	DESCRIPTION
1	MAK97AX113	RING, Retaining (1-1/4in ID)	26	MAK56AX559	O-RING
2	MAK56AX568	O-RING (1-7/16in OD - 1-3/16in ID)	27	MAK21AX360	NUT
3	MAK336KC221	PLUG, Shift Cover (3/4in ID)	28	MAK336KC334	PISTON, Range
4	MAK591KC3177	RAIL, Forward-Reverse (Multi-Speed)	29	FUL17453	O-RING
5	FUL14765	O-RING (1in ID x 1-1/4in OD)	30	N/A	KIT, O-Ring Range Includes O-Rings (1)GGA-2946 (1)EGS-3905-009 (1)GGA-2933 (1)GGA-2934 (1)GGA-2936 (1)EF30180 (1)GGA-2954
6	MAK575KB467A	FORK, Hi-Reverse	30	N/A	KIT, O-Ring Range (Major) Includes Rings (3)GGA-2942 (1)GGA-2932 (1)GGA-2954 (1)EGS-3905-009 (1)GGA-2933 (1)GGA-2934 (1)GGA-2935 (1)EF30180 (1)GGA-2936 (2)EF30150 (2)GGA-2937 (3)GGA-2949 (1)GGA-2946 (1)GGA-2956
7	MAK575KB457	FORK, Range (Hi-Lo)	31	MAK414KB3113	COVER
8	MAK56AX557	O-RING (2-5/16in ID x 2-1/2in OD)	32	MAK6AX1710	BOLT
9	MAK55KC421	CYLINDER, Range Housing	33	MAK502KB113	DOWEL
10	MAK561KC23	O-RING	34	MAK629KB335A	GASKET, Cover Rear
11	MAK629KB251	GASKET	35	MAK1MR3482M	SWITCH, Back-up (w/ Connector) (Normally Open)
12	MAK561KC22	O-RING	36	MAK56AX381	O-RING
13	MAK591KC3194	RAIL, Range (w/ 5.50in Shaft)	37	MAK551KC28	SCREW (3/8-16 NC x 1-1/4in)
13	MAK591KC3194P2	RAIL, Range (w/ 6.25in Shaft)	38	MAK745-230809	FITTING
14	MAK89KB21	RING, Wear	39	MAK63AX6	BUSHING ,Reducer (1/4-1/8in NPT)
15	MAK56AX558	O-RING			
16	MAK414KB3113	COVER			
17	MAK6AX1642	BOLT			
18	MAK591KC3180	RAIL			
19	MAK446GC1103	O-RING			
20	MAK56AX557	O-RING			
21	MAK641KB19	BREATHER			
22	MAK55KC420	CYLINDER, Range			
23	MAK56AX533	O-RING			
25	MAK336KC335	PISTON, Range			

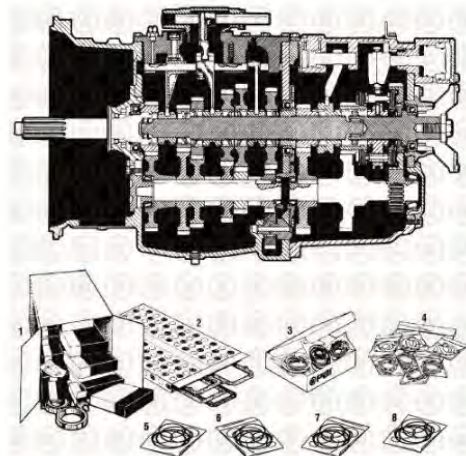
Continued



MACK TRANSMISSIONS – T2110 B AND D – REAR SHIFTER COMPONENTS

Continued

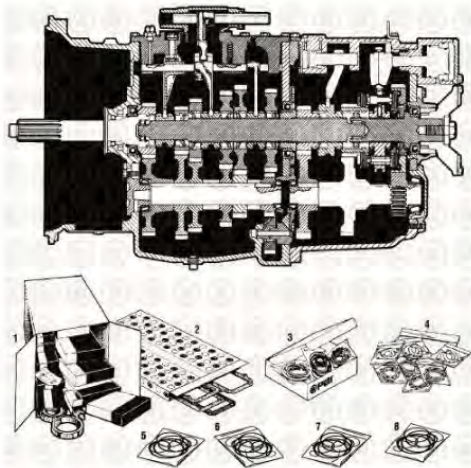
KEY	OEM REF.	DESCRIPTION
40	MAK207SH36A	KIT, Range Cylinder O-Ring (Early) Includes O-Rings (1)GGA-2932 (1)GGA-2954 (1)GGA-2934 (1)GGA-2935 (1)GGA-2931 (1)GGA-2938 (2)EF30150 (1)GGA-2933 (1)GGA-2936 (3)GGA-2937 (1)321229
40	MAK207SH38	KIT, Range Cylinder Includes Ring (1)GWR-2914 O-Rings (1)GGA-2915 (1)GGA-2916 (1)GGA-2933 (2)EF30150 (2)GGA-2937 Gasket (1)GGK-2913
41	MAK7AX264X	SCREW, Lock



MACK TRANSMISSIONS – T2130 AND T2180 – 13/18 SPEED TRANSMISSION

KEY	OEM REF.	DESCRIPTION
1	MAK208SH107A	KIT, Bearing and Seal Includes Bearings (2)GBG-6102 (1)GBG-6620 (1)GBG-6133 (1)GSP-3104 (6)GBG-6037 (3)GCU-6034 (1)GBG-6594 (1)GBG-6083 (3)GBG-6035 (6)GCU-6038 (1)GBG-7319 (3)GBG-6033 (3)GCU-6036 (3)GBG-6071 Gaskets (1)GGK-3836 Kit (1)GGS-3838 O-Rings (1)321229 O-Ring Kit (1)GKT-3748 Rings (1)GSP-5988 Kit (1)GRK-2774 Washers (3)GWA-5973 (1)GWA-5984 (6)GWA-5983 (6)GTW-5998 (3)GWA-5972 (1)GTW-5999 Springs (1)GSP-1671 (1)GSP-1672 (1)GSP-1673 (3)GSP-1676 Balls (3)GDB-1665 (3)GDB-1666 Plugs (3)GDP-3492 (1)GKP-3488 (1)GCP-3484 (2)GPP-3571 (1)GPP-3578 (1)GCP-3495 Pin (1)GPN-5112 Screws (6)GSC-6116
2	MAK207SH31B	KIT, Gasket Includes Gaskets (1)GGK-3839 (1)GGK-3921 (1)GGK-3924 (1)EGK-3836 (1)GGK-3837 Seals (3)GOS-6201 (1)GOS-6720 (1)GOS-6951 O-Rings (1)GGA-2931 (1)GGA-2932 (1)GGA-2933 (1)GGA-2934 (1)GGA-2935 (1)GGA-2936 (1)GGA-2937 (1)GGA-2938 (3)GGA-2942 (1)GGA-2954 (1)BGA-3004 (1)EF30180 (3)GGA-2949 (1)GGA-2946 (1)EGS-3905-009 (1)321229 Sealant (1)BSR-0385
3	MAK342SH592	KIT, Retaining Ring (T2080B/T2130/T2180) (Incl: (1)GRI-2701 (1)GRI-2714 (1)GRI-2719 (6)GRI-2734 (2)GRI-2784 (5)GRI-2785 (1)GRI-2786 (1)GRI-2787 (1)GRI-2795 (1)GRI-2797 (1)GRI-2798 (1)GRI-2799 (1)ESR-2832)

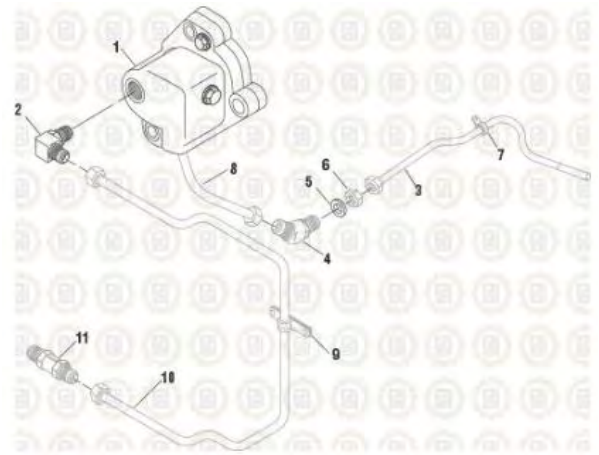
Continued



MACK TRANSMISSIONS – T2130 AND T2180 – 13/18 SPEED TRANSMISSION

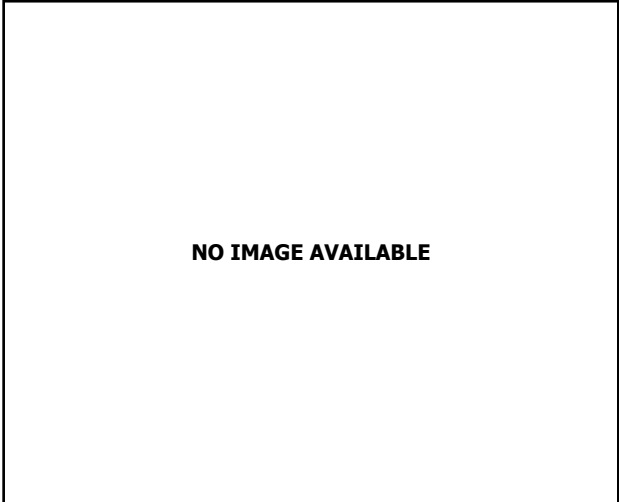
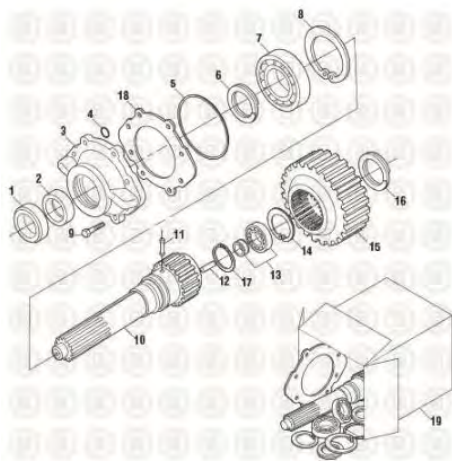
Continued

KEY	OEM REF.	DESCRIPTION
4	MAK207SH34	KIT, Shim (Incl: (3)GSH-5995-015 (3)GSH-5995-030 (3)GSH-5996-003 (3)GSH-5996-006 (3)GSH-5996-015 (3)GSH-5996-030 (3)GSH-5995-006 (3)GSH-5995-003)
5	MAK207SH36A	KIT, O-Ring (T2130/T2180) (Incl: (1)GGA-2932 (1)GGA-2954 (1)GGA-2934 (1)GGA-2935 (1)GGA-2931 (1)GGA-2937 (1)GGA-2938 (1)321229
6	N/A	KIT, O-Ring (T2180)(Major) (Incl: (2)GGA-2946 (2)GGA-2951 (2)GGA-2947 (1)GGA-2931 (1)EF30180 (1)GGA-2954 (1)GGA-2932 (2)GGA-2933 (1)GGA-2936 (1)EGS-3905-009 (1)GGA-2934 (1)GGA-2937 (1)GGA-2935 (1)GGA-2938 (1)321229
7	MAK207SH35	KIT, O-Ring(Range Cylinder) (Early) (Range Cylinder) (Incl: (2)GGA-2946 (2)GGA-2951 (2)GGA-2947)
7	MAK207SH38	KIT, O-Ring(Range Cylinder) (Late) Includes O-Rings (1)GGA-2915 (1)GGA-2916 (1)GGA-2933 (2)EF30150 (2)GGA-2937 (1)GGA-2931 Wear Ring (1)GWR-2914 Gasket (1)GGK-2913
8	N/A	KIT, O-Ring (Rear Mt., Range Cylinder) (Incl: (1)GGA-2946 (1)EGS-3905-009 (1)GGA-2933 (1)GGA-2934 (1)EF30180 (1)GGA-2936)



MACK TRANSMISSIONS – T2130 AND T2180 – OIL PUMP COMPONENTS

KEY	OEM REF.	DESCRIPTION
1	MAK431KC45	PUMP, Transmission Oil
2	MAK63AX3477	FITTING, 90 deg. Elbow (3/4in x 3/4in)
3	MAK186KD4135	TUBE, Suction Pipe
4	MAK63AX3851	FITTING, 45 deg.
5	MAK56AX410	O-RING, Fitting
6	MAK21AX925	NUT (7/8in-14)
7	MAK83AX21	CLAMP (5/8in ID)
8	MAK186KD3283	TUBE, Inlet Assembly
9	MAK83AX990	CLAMP (1/2in dia.)
10	MAK186KD4134A	TUBE, Discharge Assembly
11	MAK63AX3850	FITTING, Bulkhead (3/4in-16,1/2in OD tube)
11	MAK10MF433M	FITTING, Bulkhead (w/o Nut)



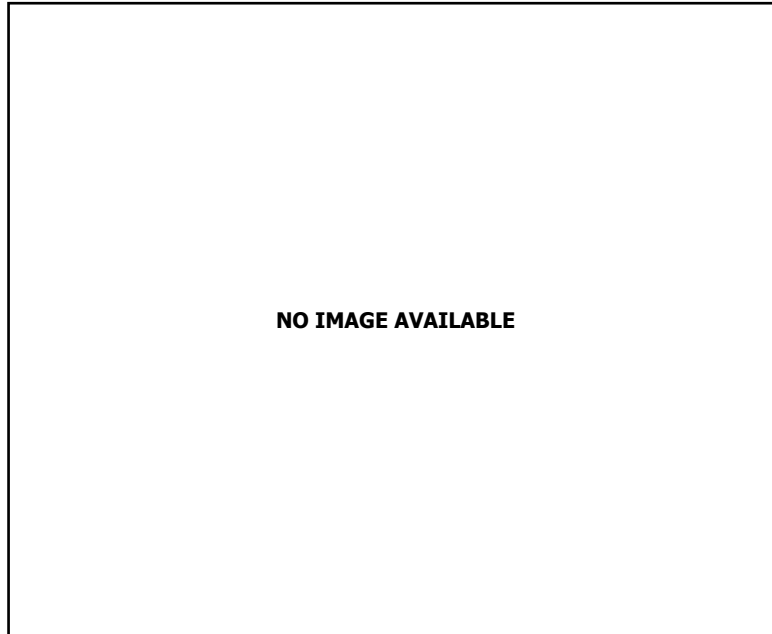
MACK TRANSMISSIONS – T2130 AND T2180 – INPUT SHAFT COMPONENTS

MACK TRANSMISSIONS – T2130 AND T2180 – MAIN CASE COMPONENTS

KEY	OEM REF.	DESCRIPTION
1	MAK88AX454	SEAL, Oil
2	MAK789KC117	SLEEVE, Oil Pump (Non-Current)
3	MAK403KB295	COVER, Main Drive
4	MAK56AX543	O-RING, Cover
5	MAK56AX347	O-RING, Cover
6	MAK97AX226	RING, Retaining
7	MAK46AX410	BEARING, Main Drive
7	MAK46AX516	BEARING, Main Drive
8	MAK97AX262	RING, Retaining
9	MAK6AX1317X	SCREW (7/16in-14 x 1-1/4in)
10	MAK764KB4203E	GEAR, Main Drive
11	MAK432KC13	PISTON, Oil Pump (Not used w/ GGB-6735) (Non-Current)
12	MAK186KD129	TUBE, Oil (Not used w/ GGB-6735)
13	MAK67AX311	BEARING
14	MAK97AX125	RING, Retaining
15	MAK764KB3264A	GEAR, Pinion(T2130/T2180)
16	MAK97AX260	RING, Retaining
17	MAK97AX54	RING, Retaining
18	MAK629KB328B	GASKET, Front Cover
19	N/A	KIT, Input Shaft (w/o Oil Pump and w/o Flywheel PTO units) Includes Main Drive Gear (1)EM67350 Gasket (1)GGK-3921 Seal (1)EM67200 Rings (1)GRI-2714 (1)GRI-2798 (1)GRI-2701 (1)ESR-2832 (1)GRI-2797 Bearings (1)EM65930 (1)EM66200

KEY	OEM REFERENCE	DESCRIPTION
1	MAK320KB3136	CLUTCH, Sliding
2	MAK97AX238	RING, Retaining (Use w/ Early Mainshaft)
2	MAK555AM4	RING, Retaining (Use w/ Current Mainshafts)
3	MAK223KD241	WASHER, Thrust (1 req'd)
4	MAK751KB3450A	GEAR, Mainshaft (4th/8th)
5	MAK223KD317A	WASHER, Thrust (1 req'd)
6	MAK97AX266	RING, Retaining
7	MAK223KD253	WASHER, Thrust
8	MAK97AX267	RING, Retaining
9	MAK223KD316A	WASHER, Thrust (5 req'd)
10	MAK223KD249	WASHER, Thrust (5 req'd)
11	MAK751KB3341B	GEAR, Mainshaft (T2130/T2180)
12	MAK97AX151	RING, Retaining (2 req'd)
13	MAK320KB3137A	CLUTCH, Sliding (2 req'd)
14	MAK751KB3342B	GEAR, Mainshaft (T2130/T2180)
15	MAK233KD39	WASHER, Thrust
16	MAK751KB486C	GEAR, Mainshaft, Lo(T2130/T2180)
17	MAK751KB3396B	GEAR, Mainshaft, Reverse (T2130/2180)
18	MAK615KC4204A	MAINSHAFT (T2130/T2180)
19	MAK186KD129	TUBE, Oil
20	MAK555AM5	RING, Retaining
21	MAK67AX335	BEARING (Inner Race)
22	MAK62AX489	CONE
23	MAK64AX294	CUP
24	MAK757KB434A	GEAR, Countershaft, Maindrive (T2130/T2180)
25	MAK757KB428A	GEAR, Countershaft (4th/8th)
26	MAK757KB3223	GEAR, Countershaft (T2130/T2180)

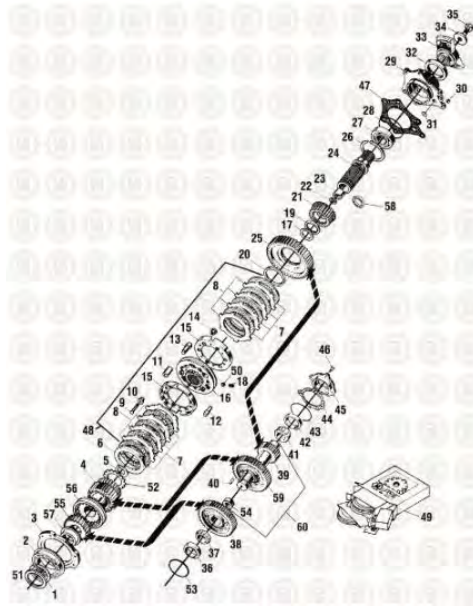
Continued



**MACK TRANSMISSIONS – T2130 AND T2180 – MAIN
CASE COMPONENTS**

Continued

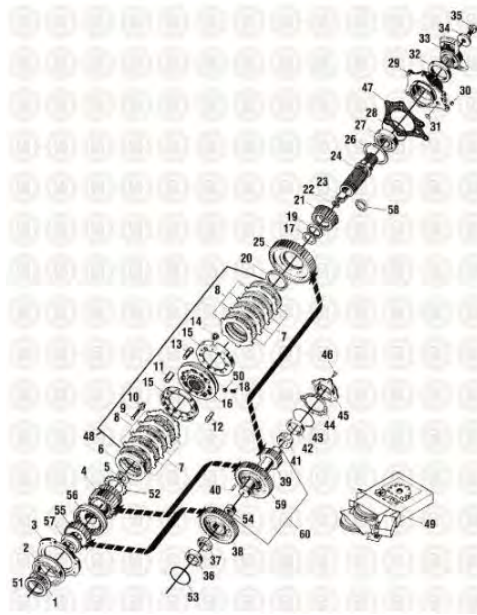
KEY	OEM REFERENCE	DESCRIPTION	KEY	OEM REFERENCE	DESCRIPTION
27	MAK31KD2109AP2	SPACER, Countershaft (1-5/8in thk)	39	MAK751KB284	GEAR, Reverse Idler (T2130/T2180)
28	MAK757KB3312B	GEAR ,Countershaft (1st/5th) (T2130/T2180)	40	MAK67AX334	BEARING
29	MAK757KB3316	GEAR, Countershaft (T2130/T2180)	41	MAK223KD262	WASHER, Thrust(3 req'd)
30	MAK31KD2109AP3	SPACER ,Countershaft (1-5/16in Lg.)	42	MAK611KC230	SHAFT, Reverse Idler
31	MAK757KB3177	GEAR, Countershaft, Reverse	43	MAK79AX39	PLUG, Expansion
32	MAK605KC4114	COUNTERSHAFT (T2130/T2180)	44	MAK56AX508	O-RING, Countershaft, Rear Bearing Retainer
33	MAK42AX642	KEY	45	MAK80AX775	RACE, Bearing
34	MAK62AX487	CONE	46	MAK56AX539	O-RING (Front Countershaft Cover)
35	MAK64AX292	CUP			
36	MAK741KC321CP3	SHIM (.003in thk)			
36	MAK741KC321CP5	SHIM (.005in thk)			
36	MAK741KC321CP6	SHIM (.006in thk)			
36	MAK741KC321CP7	SHIM (.007in thk)			
36	MAK741KC321CP15	SHIM (.015in thk)			
36	MAK741KC321CP30	SHIM (.030in thk)			
36	MAK741KC321P40	SHIM (.040in thk)			
36	MAK741KC321P50	SHIM (.050in thk)			
36	MAK741KC321P60	SHIM (.060in thk)			
36	MAK741KC313AP7	SHIM (.007in thk)			
36	MAK741KC313P70	SHIM (.070in thk)			
36	MAK741KC313P80	SHIM (.080in thk)			
36	MAK741KC313P90	SHIM (.090in thk)			
37	MAK451KC398A	RETAINER			
38	MAK223KD262P2	WASHER, Thrust (3 req'd)			



MACK TRANSMISSIONS – T2130 AND T2180 – REAR CASE COMPONENTS

KEY	OEM REF.	DESCRIPTION	KEY	OEM REF.	DESCRIPTION
1	MAK97AX259	RING, Retaining	7	MAK495KB361	DISC, Friction (8 req'd)
2	MAK46AX517	BEARING	8	MAK495KB367	DISC, Reaction (8 req'd)
3	MAK451KC420B	RETAINER	9	MAK6AX1606X	SCREW, Synchronizer (5/16in-18 x 1-7/8in)
4	MAK751KB4128	GEAR, Compound, Main Drive (Use w/ Update Synchronizer & Original Output Staff)	10	MAK298KB213	CLAMP, Support Pin (Front)
4	MAK751KB4123	GEAR, Compound, Main Drive(Current) (Use w/ Mainshaft GMS-5966 & Synchronizer Assembly GSA-2504)	11	MAK301KC243C	SLEEVE, Synchronizer Support
4	MAK751KB489	GEAR, Compound, Main Drive (Use w/ Original Mainshaft & Synchronizer Assembly GSA-2505)	12	MAK301KC34	PIN, Synchronizer (Lo Clutch) (Update)
4	MAK751KB498	GEAR, Compound, Main Drive (Use w/ Mainshaft GMS-6656 & GSA-2505)	12	MAK301KC241B	PIN, Synchronizer (Lo Clutch)
4	MAK751KB4130	KIT, Synchronizer Includes Hub (1)806811 Gear (1)806830 Synchronizer Assembly (1)GSA-2497	13	MAK301KC33	PIN, Synchronizer(Hi Clutch) (Update)
4	MAK751KB4175	GEAR, Compound, Main Drive Synchronizer Assembly (1)GSA-2497	13	MAK301KC240B	PIN, Synchronizer (Hi Clutch)
4	MAK751KB4176	GEAR, Compound, Main Drive Synchronizer Assembly (1)GSA-2497 (Used w/ GSA-2497 Synchronizer)	14	MAK298KB214	CLAMP, Support Pin (Rear)
4	MAK751KB4177	GEAR, Compound, Main Drive (Use w/ GSA-2497 Synchronizer)	15	MAK53KC486E	HOUSING, Synchronizer
5	MAK97AX267	RING, Retaining	16	MAK21636360	CLUTCH, Synchronizer (Backtapper Gear) (Update)
6	MAK351KC331B	PLATE, Synchronizer	16	MAK320KB450C	CLUTCH, Synchronizer (Early)
			16	MAK320KB459	CLUTCH, Synchronizer (Current)
			17	MAK97AX151	RING, Retaining (Use w/ Pin GGB-6209)
			18	MAK107KD244	SPRING (Opt.) (Use w/ Ball GDB-1665)
			18	MAK58AX276	SPRING (Use w/ Ball GDB-1665)
			19	MAK223KD249	WASHER, Thrust (Use w/ Pin GGB-6209)
			20	MAK97AX284	RING, Retaining
			21	MAK84KC47	HUB, Lo Range (Current)
			21	MAK84KC42	HUB, Lo Range

Continued

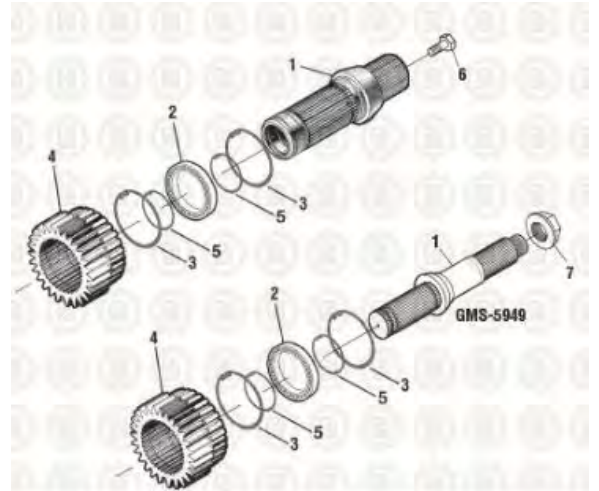
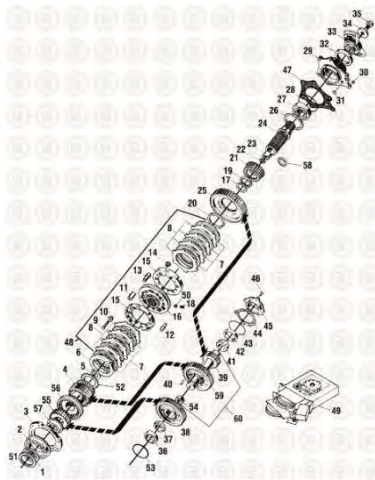


MACK TRANSMISSIONS – T2130 AND T2180 – REAR CASE COMPONENTS

Continued

KEY	OEM REF.	DESCRIPTION	KEY	OEM REF.	DESCRIPTION
21	MAK84KC411	HUB, Lo Range (Used w/ GSA-2497 Synchronizer)	44	MAK741KC323P3	SHIM (.003in thk)
22	MAK97AX265	RING, Retaining	44	MAK741KC323P6	SHIM (.006in thk)
23	MAK67AX335	BEARING, Roller	44	MAK741KC323P15	SHIM (.015in thk)
24	MAK601KC442	MAINSHAFT (Replaces 601KC432)	44	MAK741KC323P30	SHIM (.030in thk)
25	MAK751KB3493	GEAR, Lo Range	45	MAK451KC3112	RETAINER
26	MAK97AX274	RING, Retaining	46	MAK6AX1317X	SCREW (7/16in-14 x 1-1/4in)
27	MAK46AX522	BEARING (w/ Oil Control Sleeve)	47	MAK629KB331A	GASKET
28	MAK56AX432	O-RING	48	MAK320KB464	ASSEMBLY, Synchronizer Includes Synchro Assembly (1)GSA-2498 Sleeves (3)GSL-2524 Pins (3)GPN-2509 (3)GPN-2508 Housing (2)GSH-2515
29	MAK406KB234A	COVER	48	MAK320KB3147	ASSEMBLY, Synchronizer (Current)
30	MAK153KB15	BUSHING, Speedometer Drive	48	MAK320KB3140C	ASSEMBLY, Synchronizer (Early) Includes Housings (2)GSH-2515 Sleeves (3)GSL-2524 Screws (3)GSC-2201 Clamps (3)GCL-2516 (3)GCL-2517 Pins (3)GPN-2521 (3)GPN-2522 Balls (6)DDB-1665 Springs (6)GSP-1669 Clutch (1)GGB-2532 Discs (8)GSD-2525 (8)GSD-2526 Plate (1)GSP-2514
31	MAK56AX540	O-RING	49	MAK85132094	KIT, Synchronizer (Backtapper Gear) (For GSA-2497) Includes Screws (3)GSC-2201 Clutch (1)GGB-2499 Discs (8)GSD-2525 (8)GSD-2526 Pins (3)GPN-2507 Springs (3)GSP-2506 Clamps (3)GCL-2516 (3)GCL-2517
32	MAK88AX463	SEAL			
33	N/A	YOKE			
34	MAK297KB219P2	CLAMP			
35	MAK3AX1803X	SCREW (7/8in-14 x 3in)			
36	MAK64AX292	CUP			
37	MAK62AX487	CONE			
38	MAK757KB4108	GEAR, Main Drive (Underdrive)			
39	MAK605KC4227	COUNTERSHAFT (Current) (Use w/ GKY-2674, GSP-1063-002 & GGB-6481)			
40	MAK42AX647	KEY (1/2in x 5-7/16in)			
40	MAK42AX641	KEY (1/2in x 1-7/8in) (Use w/ GSC-8945 Countershaft)			
41	MAK62AX292	CONE			
42	MAK64AX16	CUP			
43	MAK56AX541	O-RING			

Continued



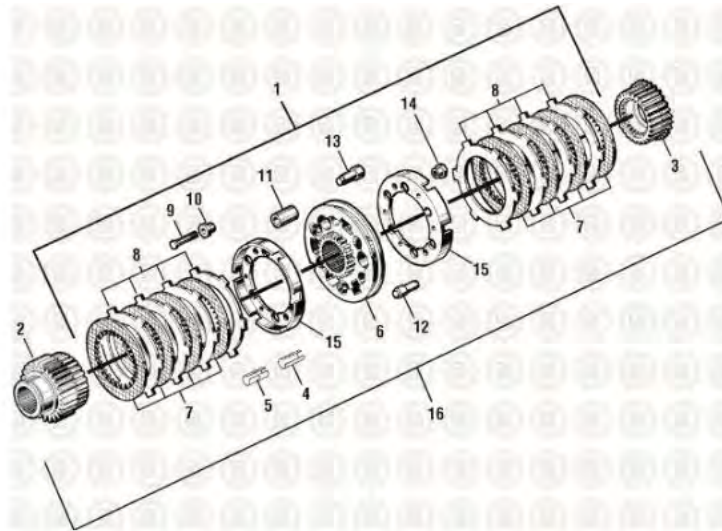
MACK TRANSMISSIONS – T2130 AND T2180 – REAR CASE COMPONENTS

Continued

KEY	OEM REF.	DESCRIPTION
49	MAK208SH99	KIT, Synchronizer (For GSA-2505) Includes Discs (8)GSD-2525 (8)GSD-2526 Pins (3)GPN-2521 (3)GPN-2522 Balls (6)GDB-1665 Springs (6)GPN-2522
49	MAK208SH99A	KIT, Synchronizer (For GSA-2504) Includes Discs (8)GSD-2525 (8)GSD-2526 Pins (3)GPN-2508 (3)GPN-2509 (6)GPN-2507 Springs (6)GSP-2506 Sleeves (3)GSL-2524
50	MAK48AX17	BALL, Synchronizer
51	MAK504KC229	RETAINER (Use w/ Early Main Drive Gear)
51	MAK31KD2136	RETAINER (Use w/ GGB-6429)
52	MAK223KD316A	WASHER, Thrust
53	MAK56AX539	O-RING, Countershaft, (Use w/ Early Main Drive Gear)
54	MAK31KD2109AP2	SPACER, Countershaft (Use w/ Early Main Drive Gear)
55	MAK751KB3491	GEAR, Compound, Main Drive
56	MAK320KB3141	CLUTCH
57	MAK788KC286	SLEEVE
58	MAK46AX538	BEARING, Roller (Use w/ Early Main Drive Gear)
59	MAK757KB4106	GEAR, Auxiliary Counter-shaft(Keyed)
59	MAK22031266	GEAR, Auxiliary Countershaft(Splined)
60	MAK605KC4134	KIT, Countershaft, Compound (T2130, T2130B & T2180) Includes Countershaft (1)GCS-8945 Gear (1)GGB-6481 Spacer (1)GSP-1063-002 Keys (2)GKY-2689

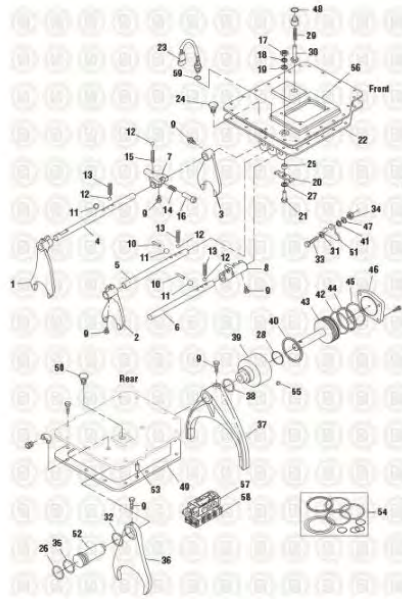
MACK TRANSMISSIONS - T2130 AND T2180 - AUXILIARY MAINSHAFT UPDATE

KEY	OEM REF.	DESCRIPTION
1	MAK601KC443	MAINSHAFT, Auxiliary (T2130A, T2180A)
1	MAK601KC442	MAINSHAFT, Auxiliary (T2130, T2180) (Replaces (1)601KC429 Mainshaft & (1)601KC432)
2	MAK46AX538	BEARING (Replaces (2 ea.)GWA-5983 & GTW-5998)
3	MAK97AX267	RING, Retaining (Replaces (1)GRI-2735)
4	MAK751KB4123	GEAR, Mainshaft, Auxiliary (Replaces (1)751KB489) (Use w/ Update Synchronizer) (GSA-2504)
4	MAK751KB498	GEAR, Mainshaft,Auxiliary (Replaces (1)751KB489) (Use w/ Early Synchronizer) (GSA-2505)
4	MAK751KB4130	KIT, Synchronizer Includes Hub (1)806811 Gear (1)806830 Synchronizer Assembly (1)GSA-2497
4	MAK751KB4176	GEAR, Mainshaft,Auxiliary (Use w/ GSA-2498 Synchronizer)
5	MAK97AX151	RING, Retaining (.078in Thick)
5	MAK555AM7	RING, Retaining (.118in Thick)
6	MAK3AX1749X	SCREW (7/8in-14)
7	FUL22254	NUT



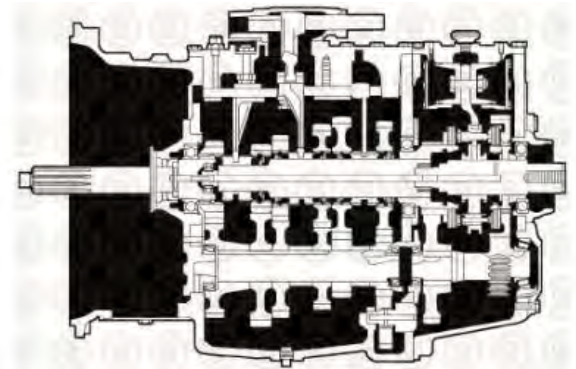
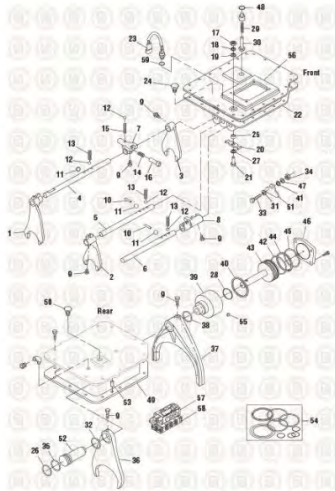
**MACK TRANSMISSIONS – T2130 AND T2180 –
 SYNCHRONIZER UPDATE**

KEY	OEM REFERENCE	DESCRIPTION	KEY	OEM REFERENCE	DESCRIPTION
1	MAK320KB464	ASSEMBLY, Synchronizer (Back taper Gear) Includes Synchro Assembly (1)GSA-2498 Sleeves (3)GSL-2524 Pins (3)GPN-2509 (3)GPN-2508 Housings (2)GSH-2515	6	MAK21636360	CLUTCH, Synchronizer (Backtapper Gear) (Used w/ GSA-2497 Synchronizer)
1	MAK320KB3147	ASSEMBLY, Synchronizer (Replaces GSA-2505) Includes Discs (8)GSD-2525 (8)GSD-2526 Clutch (1)GGB-2542 Housings (2)GSH-2515 Sleeves (3)GSL-2524 Screws (3)GSC-2201 Clamps (3)GCL-2516 (3)GCL-2517 Pins (3)GPN-2508 (3)GPN-2509 (3)GPN-2507 Springs (3)GSP-2506	6	MAK320KB459A	CLUTCH, Synchronizer (Current)
2	MAK751KB4128	GEAR, Main (T2080B/T2130/T2180) (Used w/ Original Mainshaft)	7	MAK495KB361	DISC, Friction (8 req'd)
2	MAK751KB4123	GEAR, Main Drive (T2080B,D/T2130/T2180) (Used w/ Original Mainshaft)	8	MAK495KB367	DISC, Reaction (8 req'd)
2	MAK751KB4175	GEAR, Main Drive (Used w/ GSA-2497 Synchronizer)	9	MAK6AX1606X	SCREW, Synchronizer (5/16in-18 x 1-3/4in)
2	MAK751KB4176	GEAR, Main Drive (Used w/ GSA-2497 Synchronizer)	10	MAK298KB213	CLAMP, Support Pin(Front)
2	MAK751KB4177	GEAR, Main Drive (Used w/ GSA-2497 Synchronizer)	11	MAK301KC243C	SLEEVE, Synchronizer Support
3	MAK84KC47	HUB, Lo Range (T2080B/T2130/T2180) (Replaces GGB-6209)	12	MAK301KC34	PIN, Synchronizer (Lo Clutch) (Update)
3	MAK84KC411	HUB, Lo Range(Used w/ GSA-2497 Synchronizer)	13	MAK301KC33	PIN, Synchronizer (Hi Clutch) (Update)
4	MAK107KD247	SPRING	14	MAK298KB214	CLAMP, Support Pin (Rear)
5	MAK301KC35	PIN, Synchronizer	15	MAK53KC486E	HOUSING, Synchronizer
			16	N/A	KIT, Synchronizer Upgrade Includes Hub (1)806811 Gear (1)806829 Synchronizer Assembly (1)GSA-2497
			16	N/A	KIT, Synchronizer Upgrade Includes Hub (1)806811 Gear (1)806830 Synchronizer Assembly (1)GSA-2497
			16	MAK751KB4130	KIT, Synchronizer Upgrade (Use Kit 806808) Includes Hub (1)806811 Gear (1)806830 Synchronizer Assembly (1)GSA-2497



MACK TRANSMISSIONS – T2130 AND T2180 – SHIFTER COMPONENTS

KEY	OEM REF.	DESCRIPTION	KEY	OEM REF.	DESCRIPTION
1	MAK575KB3303C	FORK, Shift(4th/5th)	26	MAK56AX552	O-RING
2	MAK575KB3320D	FORK, Shift(2nd/3rd)	27	MAK35AX1446X	WASHER
3	MAK575KB3306B	FORK, Shift(1st/Reverse)	28	MAK56AX556	O-RING
4	MAK591KC3102B	RAIL (1st/Reverse)	29	MAK107KD242	SPRING, Range Shift Valve
5	MAK591KC3100A	RAIL (2nd/3rd)	29	MAK107KD1179	SPRING, Range Shift Valve (w/o Flywheel PTO)
6	MAK591KC3127	RAIL (4th/5th)	30	MAK529KC25A	PIN
7	MAK699KC328	SHIFTER (1st/Reverse)	31	MAK37AX265	WASHER
8	MAK699KC329A	SHIFTER (4th/5th)	32	MAK56AX568	O-RING, Splitter Cover
9	MAK7AX264X	SCREW, Lock(Dog Point) (2 req'd)(7/16in-20)	33	MAK311KC28A	PIN
10	MAK301KC242	PIN, Interlock	34	MAK20AX3	NUT
11	MAK48AX12	BALL, Detent (3/4in Dia.)	35	MAK56AX569	O-RING, Splitter Cover
12	MAK48AX17	BALL, Detent (1/2in Dia.)	36	MAK575KB3378	FORK, Splitter
13	MAK107KD157	SPRING	37	MAK575KB457	FORK (Hi/Lo)
14	MAK107KD118	SPRING	38	MAK56AX557	O-RING
15	MAK107KD116	SPRING	39	MAK55KC420	CYLINDER, Range
16	MAK411KC18A	PLUNGER (1st/Reverse)	40	MAK56AX560	O-RING, Shift, Piston
17	MAK21AX28	NUT	41	MAK37AX7U	WASHER
18	MAK36AX5	WASHER, Lock (1/2in)	42	MAK56AX559	O-RING, Shift, Piston
19	MAK37AX6	WASHER	43	MAK591KC2370	ASSEMBLY, Rail w/ Piston
20	MAK521KC114	ROCKER	44	MAK56AX561	O-RING, Shift, Piston
21	MAK311KC215	PIN, Rocker Pivot	45	MAK56AX558	O-RING, Housing Cover
22	MAK629KB411	GASKET (Main Case Cover)	46	MAK414KB398A	COVER, Hi/Lo Shift
23	MAK1MR3481M	SWITCH, Reverse(w/ Plug) (Short reach)	47	MAK36AX3	WASHER, Lock(3/8in)
23	MAK1MR1375	SWITCH, Reverse(w/ Plug)	48	MAK56AX436	O-RING, Lo/Direct Range Shift
24	MAK541KB25	BREATHER (Main Case)	49	MAK629KB335A	GASKET, Shift Cover, Compound
25	MAK31KD2169	SPACER	50	MAK541KB23	BREATHER (Range Case)
			51	MAK521KC214	ROCKER



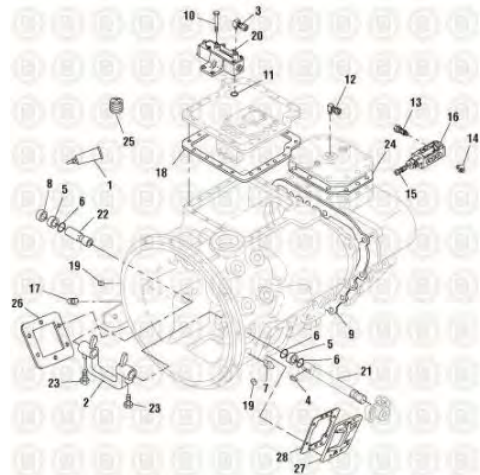
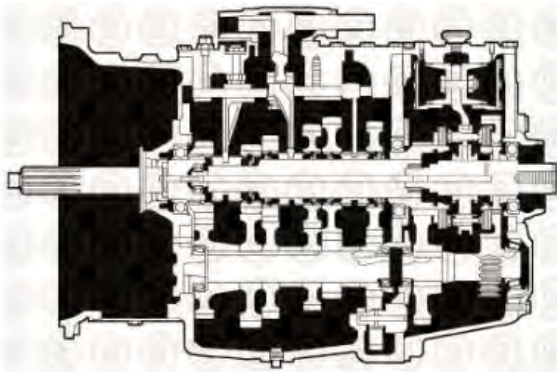
MACK TRANSMISSIONS – T2130 AND T2180 – SHIFTER COMPONENTS

KEY	OEM REF.	DESCRIPTION
52	MAK336KC333	RAIL
53	MAK502KB113	DOWEL
54	MAK207SH36A	KIT, Range Cylinder O-Ring (Early) Includes O-Rings (1)GGA-2932 (1)GGA-2954 (1)GGA-2934 (1)GGA-2935 (1)GGA-2931 (1)GGA-2938 (2)EF30150 (1)GGA-2933 (1)GGA-2936 (3)GGA-2937 (1)321229
54	MAK207SH38	KIT, Range Cylinder Includes O-Rings (1)GGA-2915 (1)GGA-2916 (1)GGA-2933 (2)GGA-2937 (2)EF31050 Gasket (1)GGK-2913
55	MAK541KB19	BREATHER
56	MAK629KB250	GASKET, Cover
57	MAK216KD235	VALVE, Air Directional
58	MAK216KD234	VALVE, Air Directional
59	MAK56AX381	O-RING

MACK TRANSMISSIONS – T309L AND T310 – TRANSMISSION

KEY	OEM REF.	DESCRIPTION
1	MAK208SH114	KIT, Bearing and Seal (T309L) Includes Bearings (1)GBG-6594 (1)GBG-6083 (1)GBG-7319 (3)GBG-6033 (6)GBG-6037 (3)GBG-6035 (3)GCU-6034 (6)GCU-6038 (3)GCU-6036 (2)GBG-6102 (1)GBG-6620 (3)GBG-6071 (1)GBG-6133 (1)GSP-3104-TIM Gasket Kit (1)GBK-8955-300 Rings (1)GSP-5988 Ring Kit (1)ERK-8997 Springs (1)GSP-1672 (1)GSP-1673 (3)GSP-2506 (3)807001 Shim Kits (1)GBK-8955-400 (1)GBK-8963-400 Washers (1)GTW-5999 (4)GTW-5998 (1)GWA-5997 (3)GWA-5973 (4)GTW-1021 (1)GTW-1022 (3)FWA-0395 Screws (1)FSC-0913 (7)GSC-6116 Spacers (1)GSP-5979 Pins (2)GPN-5139 Balls (3)GDB-1665 (3)GDB-1566 Plugs (1)GPP-3578 (1)GPP-3571 (3)GSP-3484 (1)GCP-3495 Plunger (1)GPL-2519
2	MAK207SH42	KIT, Gaskets and Seals Includes Sealant (1)BSR-0385 Gaskets (1)GGK-3924 (1)GGK-3921 (1)GGK-3839 (1)GGK-3836 (1)GGK-3837 (1)GGK-3834 (1)GGK-2913 Seals (3)GOS-6201 (1)GOS-6720 (1)GOS-6951 O-Rings (1)GGA-2933 (3)2942 (3)GGA-2949 (1)321229 (2)EF30150 (1)GGA-2937
3	MAK342SH598	KIT, Ring (T309L) Includes Rings (1)GRI-2824 (1)ESR-2832 (1)GRI-2714 (1)GRI-2798 (1)GRI-2786 (1)GRI-2701 (1)GRI-2784 (1)GRI-2795 (1)GRI-2799 (1)GRI-2787 (2)GRI-2847 (6)GRI-2735 (1)GRI-2797 (2)GRI-2785 (1)GRI-2734

Continued



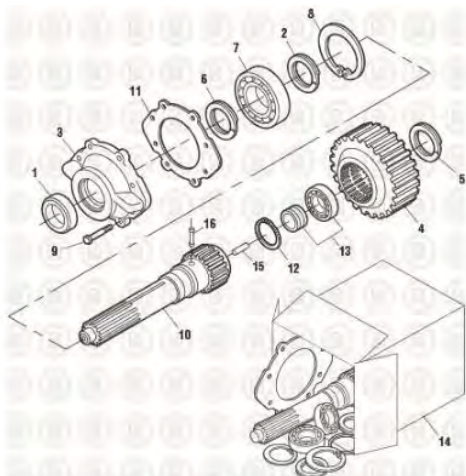
MACK TRANSMISSIONS – T309L AND T310 – TRANSMISSION

Continued

KEY	OEM REF.	DESCRIPTION
4	MAK207SH36A	KIT, O-Ring(Range Cylinder) (Early) Includes O-Rings (1)GGA-2932 (1)GGA-2954 (1)GGA-2934 (1)GGA-2935 (1)GGA-2931 (1)GGA-2938 (2)EF30150 (1)GGA-2933 (1)GGA-2936 (3)GGA-2937 (1)321229
4	MAK207SH38	KIT, O-Ring(Range Cylinder) (Late) Includes Wear Ring (1)GWR-2914 O-Rings (1)GGA-2915 (1)GGA-2916 (1)GGA-2933 (2)EF30150 (2)GGA-2937 Gasket (1)GGK-2913
5	MAK207SH46	KIT, Shi (Front Box Countershaft) Includes Shims (6)GSH-5995-003 (3)GSH-5995-005 (3)GSH-5995-006 (3)GSH-5995-007 (3)GSH-5995-015 (3)GSH-5995-030 (3)GSH-5995-040 (3)GSH-5995-050 (3)GSH-5995-060
5	MAK207SH47	KIT,Shi (Rear Box Countershaft) Includes Shims (3)GSH-5996-003 (3)GSH-5996-005 (3)GSH-5996-006 (3)GSH-5996-007 (3)GSH-5996-015 (9)GSH-5996-030 (3)GSH-5996-070 (3)GSH-5996-080 (3)GSH-5996-090

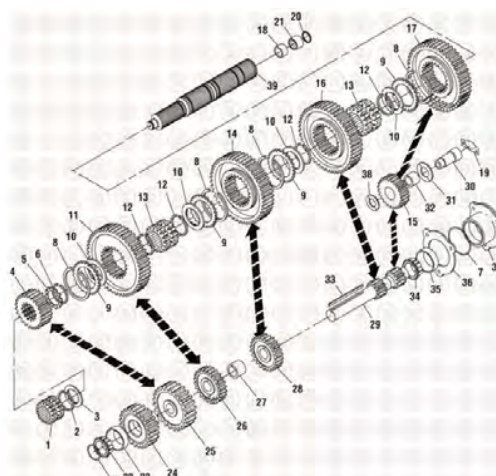
MACK TRANSMISSIONS – T309L AND T310 – COMPOUND AND MAIN CASE ASSEMBLY

KEY	OEM REF.	DESCRIPTION
1	MAK3092340	SEALANT, Silicone Rubber (Cartridge gun tube 310 ml)
1	MAK342SX32	SEALANT, Silicone Rubber
2	MAK301KD43Bx	YOKE, Clutch Release
3	MAK63AX54122	FITTING (3 req'd)
4	MAK43AX41	KEY
5	MAK67AX204	BEARING (2 req'd)
6	MAK88AX349P3	SEAL
7	MAK44AX115	FITING, Grease(1/8in x 27)
8	MAK79AX71	PLUG, Cup(1-1/4in)
9	MAK629KB53A	GASKET
10	MAK6AX1294	SCREW (2 req'd)
11	MAK56AX436	O-RING
12	MAK9032-1469X4	FITTING (2req'd)
13	MAK63AX51081R	FITTING (2req'd)
14	MAK63AX3654	ELBOW
15	MAK63AX54128	FITTING
16	MAK216KD235	VALVE,Air
17	MAK63AX1041X	PLUG, Oil Fill (1-1/4in NPT)
18	MAK629KB411	GASKET, Cover
19	MAK49AX224	PLUG, Magnetic Filler
20	MAK216KD42B	VALVE, Slave
21	MAK604KC34A	SHAFT, Clutch Release
22	MAK604KC277A	SHAFT, Clutch Release
23	MAK7AX264X	SCREW, Lock(Dog Point)(2req'd) (7/16in-20)
24	MAK629KB335A	GASKET, Cover
25	MAK49AX234Z	PLUG, Temperature Sending Unit Boss(1/4in NPT)
26	MAK412KB213P3	COVER, PTO (RH) (6 hole)
27	MAK412KB310B	COVER, PTO (LH) (8 hole)
28	MAK648KB23	GASKET



MACK TRANSMISSIONS - T309L AND T310 - INPUT SHAFT

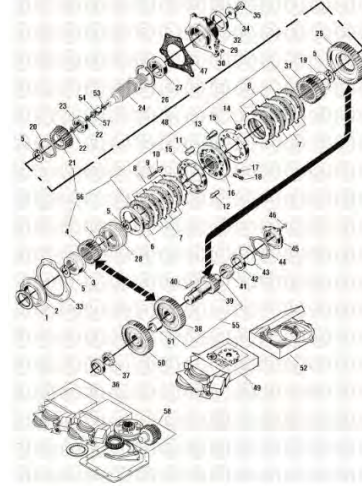
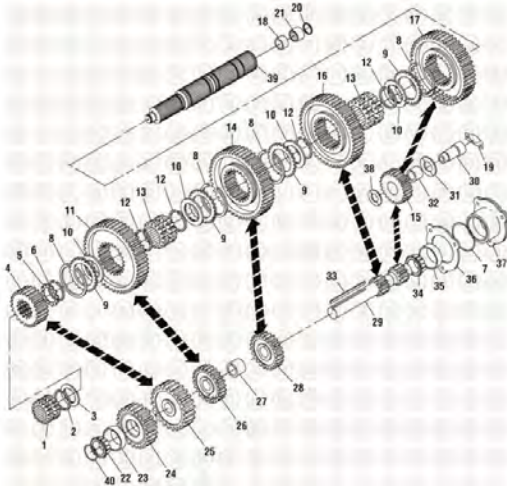
KEY	OEM REF.	DESCRIPTION
1	MAK88AX454	SEAL, Oil
2	MAK97AX260	RING, Retaining
3	MAK403KB295	COVER, Main Drive
4	MAK764KB3308	GEAR
5	MAK97AX125	RING, Retaining
6	MAK97AX226	RING, Retaining
7	MAK49AX410	BEARING, Main Drive
8	MAK97AX262	RING, Retaining
9	MAK551KC210	SCREW
10	MAK764KB4203E	GEAR, Main Drive (w/o Oil Pump)
10	MAK764KB293	SHAFT, Input (w/ Oil Pump) (w/ Oil Tube GTB-0480)
11	MAK629KB328B	GASKET, Front Cover
12	MAK97AX54	RING, Retaining
13	MAK67AX311	BEARING
14	N/A	KIT, Input Shaft (w/o Oil Pump and w/o Flywheel PTO units) Includes Main Drive Gear (1)EM67350 Gasket (1)GGK-3921 Seal (1)EM67200 Rings (1)GRI-2714 (1)GRI-2798 (1)GRI-2701 (1)ESR-2832 (1)GRI-2797 Bearings (1)EM65930 (1)EM66200
15	MAK186KD129	TUBE, Oil (w/ Shaft Input 806735)
16	MAK432KC13	PISTON, Oil Pump (used w/ Input Shaft 806735)



MACK TRANSMISSIONS – T309L AND T310 – MAIN CASE COMPONENTS

KEY	OEM REFERENCE	DESCRIPTION
1	MAK320KB3148	CLUTCH, Sliding
2	MAK555AM4	RING, Retaining
3	MAK223KD241	WASHER, Thrust (1 req'd)
4	MAK751KB3539	GEAR, 4th/8th Mainshaft
5	MAK223KD329	WASHER, Thrust (1 req'd)
6	MAK97AX266	RING, Retaining
7	MAK56AX539	O-RING
8	MAK97AX172	RING, Snap(T309L, T310)
8	MAK97AX171	RING, Retaining
9	MAK223KD328	WASHER, Thrust (4 req'd)
10	MAK223KD249	WASHER, Thrust (5 req'd)
11	MAK751KB4140	GEAR, 2nd/6th Mainshaft
12	MAK97AX151	RING, Retaining (2 req'd)
13	MAK320KB3149	CLUTCH, Sliding (2 req'd)
14	MAK751KB4141	GEAR, 1st/5th
15	MAK751KB284	GEAR (24 teeth)
15	MAK751KB2104	GEAR
16	MAK751KB4147	GEAR, Lo-Range Speed
16	MAK751KB4148	GEAR, Lo-Range Speed
17	MAK751KB4168	GEAR, Reverse
18	MAK80AX775	RACE, Bearing
19	MAK207KC22	RETAINER, Idler Shaft
20	MAK97AX258	RING
21	MAK67AX335	BEARING
22	MAK62AX489	CONE
23	MAK64AX294	CUP
24	MAK757KB434A	GEAR, Maindrive Countershaft
25	MAK757KB428A	GEAR, 4th/8th Countershaft (54 teeth)
26	MAK757KB3223	GEAR, 2nd/6th Countershaft
27	MAK31KD2109AP2	SPACER ,Countershaft (1-5/8in thk)

Continued



MACK TRANSMISSIONS – T309L AND T310 – MAIN CASE COMPONENTS

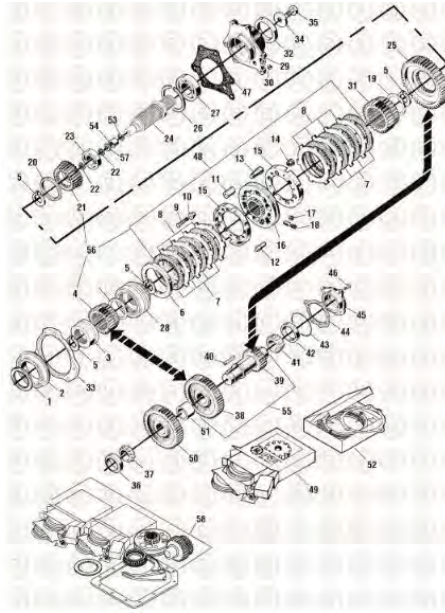
Continued

KEY	OEM REFERENCE	DESCRIPTION
28	MAK757KB3312B	GEAR, 1st/5th Countershaft
29	MAK605KC4206	COUNTERSHAFT
29	MAK605KC4210	COUNTERSHAFT
29	MAK605KC4199	COUNTERSHAFT
29	MAK605KC4232	COUNTERSHAFT (w/o PTO)
29	MAK605KC4233	COUNTERSHAFT (PTO Version)
30	MAK611KC230	SHAFT, Reverse Idler
31	MAK223KD262	WASHER, Thrust (3 req'd)
32	MAK67AX334	BEARING
33	MAK42AX643	KEY
34	MAK62AX487	CONE
35	MAK64AX292	CUP
36	MAK741KC321CP3	SHIM (.003in thk)
36	MAK741KC321CP5	SHIM (.005in thk)
36	MAK741KC321CP6	SHIM (.006in thk)
36	MAK741KC321CP7	SHIM (.007in thk)
36	MAK741KC321CP15	SHIM (.015in thk)
36	MAK741KC321CP30	SHIM (.030in thk)
36	MAK741KC321P40	SHIM (.040in thk)
36	MAK741KC321P50	SHIM (.050in thk)
36	MAK741KC321P60	SHIM (.060in thk)
37	MAK451KC3108A	RETAINER, Housing
38	MAK223KD262P2	WASHER, Thrust (3 req'd)
39	MAK615KC4209	MAINSHAFT, Front (T309)
39	MAK615KC4203	MAINSHAFT
40	MAK56AX539	O-RING (Front Countershaft Cover)

MACK TRANSMISSIONS – T309L AND T310 – REAR CASE COMPONENTS

KEY	OEM REFERENCE	DESCRIPTION
1	MAK31KD2136	RETAINER
2	MAK46AX517	BEARING
3	MAK788KC286	SLEEVE
4	MAK764KB4270	GEAR, Compound (T309L)
4	MAK764KB4278	GEAR, Compound (T309L) (Used w/ GSA-2497 Synchronizer)
4	MAK764KB4279	GEAR, Compound (Used w/ GSA-2497 Synchronizer)
5	MAK97AX151	RING, Retaining
6	MAK351KC331B	PLATE, Synchronizer
7	MAK495KB361	DISC, Friction (8req'd)
8	MAK495KB367	DISC, Reaction (8 req'd)
9	MAK6AX1606X	SCREW, Synchronizer (5/16in x 1-7/8in)
10	MAK298KB213	CLAMP, Support Pin (Front)
11	MAK301KC243C	SLEEVE, Synchronizer Support
12	MAK301KC34	PIN, Synchronizer (Lo Clutch)
13	MAK301KC33	PIN, Synchronizer (Hi Clutch)
14	MAK298KB214	CLAMP, Support Pin (Rear)
15	MAK53KC486E	HOUSING, Synchronizer
16	MAK21636360	CLUTCH, Synchronizer (Backtapper Gear) (Used w/ GSA-2497 Synchronizer)
16	MAK320KB459A	CLUTCH, Synchronizer
17	MAK301KC35	PIN
18	MAK107KD247	SPRING
19	MAK223KD261A	WASHER (T309L)
20	MAK97AX284	RING, Retainer
21	MAK84KC46	HUB, Lo Range (T309L)
21	MAK84KC410	HUB, Lo Range (Used w/ GSA-2497 Synchronizer)
22	MAK97AX258	RING, Retaining(T309L)

Continued

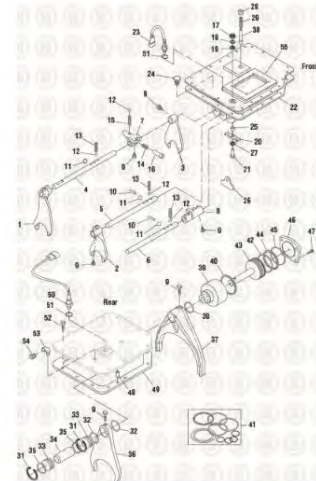
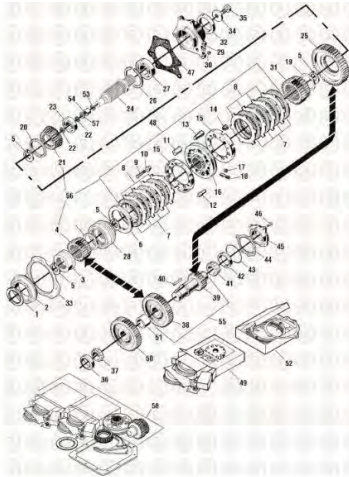


MACK TRANSMISSIONS – T309L AND T310 – REAR CASE COMPONENTS

Continued

KEY	OEM REFERENCE	DESCRIPTION	KEY	OEM REFERENCE	DESCRIPTION
23	MAK46AX538	BEARING	43	MAK56AX541	O-RING
24	MAK601KC422	MAINSHAFT (T309L)	44	MAK741KC323P3	SHIM (.003in thk)
25	MAK751KB3493	GEAR, Lo Range	44	MAK741KC323P6	SHIM (.006in thk)
25	MAK751KB4165	GEAR, Lo Range	44	MAK741KC323AP7	SHIM (.007in thk)
26	MAK97AX274	RING, Retaining	44	MAK741KC323P15	SHIM (.015in thk)
27	MAK46AX522	BEARING (w/ Oil Control Sleeve)	44	MAK741KC323P30	SHIM (.030in thk)
28	MAK320KB3141	CLUTCH, Compound	44	MAK741KC323P70	SHIM (.070in thk)
29	MAK406KB234A	COVER	44	MAK741KC323P80	SHIM (.080in thk)
30	MAK153KB15	BUSHING, Speedometer Drive	44	MAK741KC323P90	SHIM (.090in thk)
31	MAK751KB4123	GEAR, Hi Range	45	MAK451KC3112	RETAINER
31	MAK751KB4176	GEAR, Hi Range (Used w/ GSA 2497 Synchronizer)	46	MAK6AX1317X	SCREW (7/16in-14 x 1-1/4in)
32	MAK88AX463	SEAL	47	MAK629KB331A	GASKET
33	MAK451KC420B	RETAINER (T309L)	48	MAK320KB464	ASSEMBLY, Synchronizer Includes Synchro Assy (1)GSA-2498 Sleeve (3)GSL-2524 Pin (3)GPN-2509 Pin (3)GPN-2508 Housing (2)GSH-2515
34	MAK297KB219P2	CLAMP (T310M)	48	MAK320KB3147	ASSEMBLY, Synchronizer Includes Discs (8)GSD-2525 (8)GSD-2526 Clutch (1)GGB-2542 Housings (2)GSH-2515 Sleeves (3)GSL-2524 (3)GSC-2201 Clamps (3)GCL-2516 (3)GCL-2517 Pins (3)GPN-2509 (3)GPN-2507 Springs (3)GSP-2506
35	MAK3AX1803X	SCREW (7/8in-14 x 2-1/4in)	49	MAK85132094	ASSEMBLY, Synchronizer (Backtapper Gear) Includes Screw (3)GSC-2201 Pins (3)GPN-2507 Discs (8)GSD-2525 (8)GSD-2526 Spring (3)GSP-2506 Clamps (3)GCL-2516 (3)GCL-2517 Clutch (1)GGB-2499
36	MAK64AX292	CUP			
37	MAK62AX487	CONE			
38	MAK757KB4106	GEAR, Main Drive (Keyed)			
38	MAK22031266	GEAR, Main Drive (Splined)			
39	MAK605KC4220	COUNTERSHAFT (w/o PTO-18 teeth)			
39	MAK605KC488	COUNTERSHAFT (23 teeth)			
39	MAK605KC4243	COUNTERSHAFT (Splined Shaft)			
40	MAK42AX647	KEY (1/2in x 5-7/16in)			
40	MAK42AX641	KEY (1/2in x 1-7/8in)			
41	MAK62AX292	CONE			
42	MAK64AX16	CUP			

Continued



MACK TRANSMISSIONS – T309L AND T310 – REAR CASE COMPONENTS

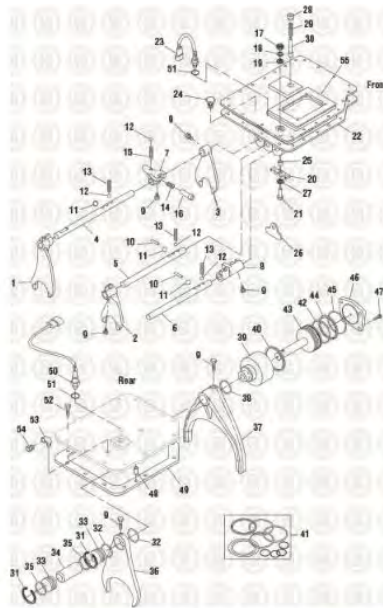
Continued

KEY	OEM REFERENCE	DESCRIPTION
49	MAK208SH99	KIT, Synchronizer (Used w/ GSA-2504 Synchronizer) Includes Discs (8)GSD-2525 (8)GSD-2526 Pins (3)GPN-2521 (3)GPN-2522 Balls (6)GDB-1665 Springs (6) GSP-1669
50	MAK757KB3326	GEAR, Compound Reverse
51	MAK31KD2109AP2	SPACER, Countershaft (1-5/8in thk)
52	MAK207SH47	KIT, Shim Includes Shims (3)GSH-5996-003 (3)GSH-5996-005 (3)GSH-5996-006 (3)GSH-5996-007 (3)GSH-5996-015 (9)GSH-5996-030 (3)GSH-5996-070 (3)GSH-5996-080 (3)GSH-5996-090
53	MAK97AX265	RING, Retaining
54	MAK80AX775	RACE, Bearing
55	MAK605KC476	KIT, Countershaft Includes Countershaft (1)806907 Gear (1)GGB-6481 Key (1)GKY-2689
56	N/A	KIT, Synchronizer Upgrade Includes Synchronizer (1)GSA-2497 Hub (1)806810 Gear (1)806831
56	N/A	KIT, Synchronizer Upgrade Includes Synchronizer (1)GSA-497 Hub (1)806810 Gear (1)806832
57	MAK67AX335	BEARING
58	MAK85148829	KIT, Synchronizer Repair Includes Synchronizer (1)GSA-2497 Hub (1)806810 Gear (1)806831 Fork (1)GSF-0662 Screws (1)GSC-6116 (1)GSC-6060 Plate (1)GSP-2514 Rings (1)GRI-2836 (1)GRI-2734 (1)GRI-2787 Washer (1)GWA-5997 O-Ring (1)GGA-2933 Seal (1)GOS-6951 Gaskets (1)GGK-3837 (1)GGK-2913 (1)BGK-3831 (1)GGK-3924

MACK TRANSMISSIONS – T309L AND T310 – SHIFTER COMPONENTS

KEY	OEM REF.	DESCRIPTION
1	MAK575KB3303C	FORK, Shift (4th/5th)
2	MAK575KB3320D	FORK, Shift (2nd/3rd)
3	MAK575KB3306B	FORK, Shift (1st/Reverse)
4	MAK591KC3164A	RAIL, Shift (1st/Reverse)
5	MAK591KC3165A	RAIL, Shift (2nd/3rd)
6	MAK591KC3166A	RAIL, Shift (4th/5th)
7	MAK699KC42	SHIFTER (1st/Rev)
8	MAK699KC43	SHIFTER (4th/5th)
9	MAK7AX264X	SCREW, Lock(Dog Point) (2 req'd)(7/16in-20)
10	MAK301KC248	PIN, Interlock
11	MAK48AX19	BALL, Detent (13/16in dia.)
12	MAK48AX17	BALL, Detent (13/16in dia.)
13	MAK107KD260	SPRING
14	MAK107KD118	SPRING
15	MAK107KD116	SPRING
16	MAK411KC18A	PLUNGER
17	MAK21AX28	NUT (1/2in-20 NF)
18	MAK37AX6	WASHER, Lock
19	MAK36AX5	WASHER, Flat
20	MAK521KC114	ROCKER
21	MAK311KC215	PIN, Pivot
21	MAK3AX2050	PIN, Pivot
22	MAK629KB411	GASKET
23	MAK1MR3481M	SWITCH
24	MAK541KB29	BREATHER
25	MAK31KD2169	SPACER
26	MAK521KC216	INTERLOCK, Rocker Range
27	MAK35AX1446X	WASHER
28	MAK796KC287	SLEEVE
29	MAK107KD242	SPRING
30	MAK529KC25A	PIN

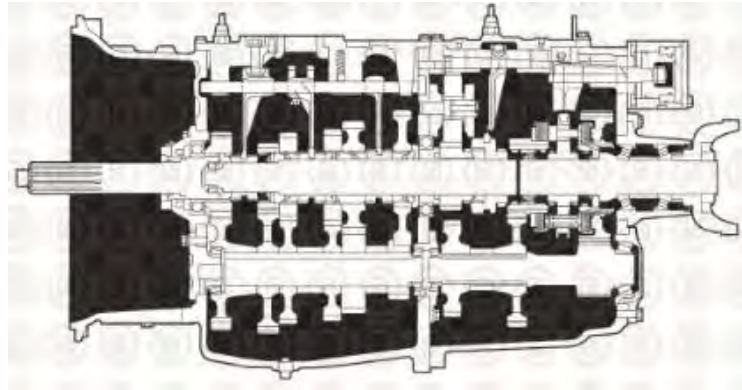
Continued



MACK TRANSMISSIONS – T309L AND T310 – SHIFTER COMPONENTS

Continued

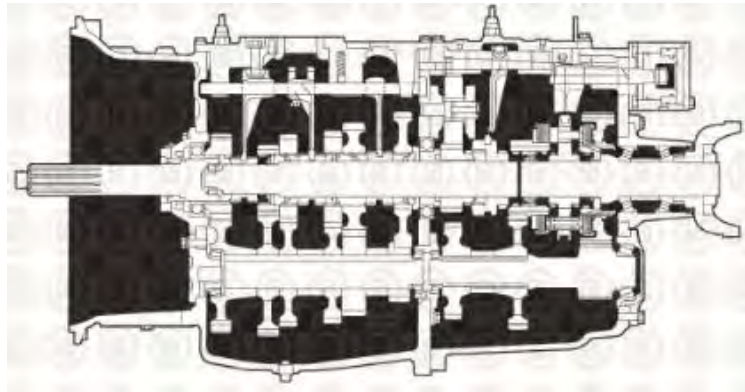
KEY	OEM REF.	DESCRIPTION	KEY	OEM REF.	DESCRIPTION
31	MAK97AX113	RING,Retaining (1-1/4in ID)	47	MAK6AX1642	BOLT
32	MAK56AX568	O-RING (1-7/16in OD - 1-3/16in ID)	48	MAK502KB113	DOWEL
33	MAK366KC221	PLUG, Shift Cover (3/4in ID)	49	MAK629KB335A	GASKET, Cover Rear
34	MAK591KC3177	RAIL, Forward-Reverse (Multi-Speed)	50	MAK1MR3482M	SWITCH, Back-up (w/ Connector) (Normally Open)
35	MAK 56AX564	O-RING (1in ID x 1-1/4in OD)	51	MAK56AX381	O-RING
36	MAK575KB467A	FORK, Hi-Reverse	52	MAK551KC28	SCREW (3/8-16 NC x 1-1/4in)
37	MAK575KB457	FORK, Range (Hi-Lo)	53	MAK745-230809	FITTING
38	MAK56AX557	O-RING (2-5/16in ID x 2-1/2inOD)	54	MAK63AX6	BUSHING, Reducer (1/4-1/8in NPT)
39	MAK55KC421	CYLINDER, Range Housing	55	MAK629KB250	GASKET, Cover
40	MAK561KC23	O-RING			
41	MAK207SH38	KIT, Range Cylinder O-Ring (Late) Includes Ring (1)GWR-2914 O-Rings (1)GGA-2915 (1)GGA-2916 (1)GGA-2933 (2)GGA-2937 (2)EF30150 Gasket (1)GGK-2913			
41	MAK207SH36A	KIT, Range Cylinder O-Ring (Early) Includes O-Rings (1)GGA-2932 (1)GGA-2954 (1)GGA-2934 (1)GGA-2935 (1)GGA-2931 (1)GGA-2938 (2)EF30150 (1)GGA-2933 (1)GGA-2936 (3)GGA-2937 (1)321229			
42	MAK561KC22	O-RING			
43	MAK591KC3194P2	RAIL, Range (w/ 6.25in Shaft)			
43	MAK591KC3194	RAIL, Range (w/ 5.50in Shaft)			
45	MAK56AX558	O-RING			
46	MAK414KB3113	COVER			



MACK TRANSMISSIONS – T310M – TRANSMISSION KITS

KEY	OEM REF.	DESCRIPTION	KEY	OEM REF.	DESCRIPTION
1	MAK208SH116	KIT, Bearing and Seal Includes Bearings (2)GBG-6102 (1)GBG-6593 (1)GBG-6620 (1)GBG-6083 (3)GBG-6035 (3)GCU-6036 (6)GBG-6037 (6)GCU-6038 (1)GBG-7319 (1)GBG-6655 (1)GBG-6133 (3)GBG-6033 (3)GCU-6034 (3)GBG-6148 Bushing (1)GSP-3104 Gasket Kit (1)GBK-8955-300 Rings (3)GRI-2836 (1)GRI-2786 (2)GRI-2785 (1)GRI-2824 (4)GRI-2735 Ring Kit (1)GRK-2771 Springs (1)GSP-1673 (1)GSP-1672 Range Cylinder Kit (1)GKT-3758 O-Ring Kit (1)GBK-8955-200 Shim Kit (1)GBK-6565-400 Ball(4)GDB-1665 Washers (7)GTW-5998 (1)GTW-1022 (4)GTW-1021 (3)GWA-5972 (3)GWA-5919 Retainer (1)GSP-5988	1	MAK208SH116B	KIT, Bearing and Seal (Major Rebuild kit) Includes Bearings (1)GBG-6593 (1)GBG-6083 (1)GBG-7319 (1)GBG-6655 (3)EM60350 (3)GBG-6033 (6)EM60370 (3)GCU-6034 (6)EM60380 (3)ER60360 (2)GBG-6102 (1)GBG-6620 (1)GBG-6133 (3)GBG-6148 (1)GSP-3104 Gasket kit (1)GBK-8955-300 Springs (1)GSP-1672 (1)GSP-1673 (3)GSP-2506 (3)807001 O-Ring Kit (1)GBK-8955-200 Shim Kits (1)GBK-8955-400 (1)GBK-8963-400 Washers (1)GTW-5999 (6)GTW-5998 (3)GWA-5972 (3)GWA-5919 (4)GTW-1021 (1)GTW-1022 (3)FWA-0395 Screws (1)FSC-0928 (8)GSC-6116 Retainer (1)GSP-5988 Spacers (1)GSP-5979 (1)807005 Pins (2)GPN-5139 Ring Kit (1)ERK-8997 Plunger(1)GPL-2519 Balls (4)GDB-165 (3)GDB-1566 Plugs (1)GPP-3578 (2)GPP-3571 (3)GCP-3484 (1)GCP-3495
			2	MAK207SH42	KIT, Gaskets and Seals Includes Sealant (1)BSR-0385 Gaskets (1)GGK-3924 (1)GGK-3921 (1)GGK-3839 (1)GGK-3836 (1)GGK-3837 (1)GGK-3834 (1)GGK-2913 Seals (3)GOS-6201 (1)GOS-6720 (1)GOS-6951 O-Rings (1)GGA-2933 (3)GGA-2942 (3)GGA-2949 (1)321229 (2)EF30150 (1)GGA-2937

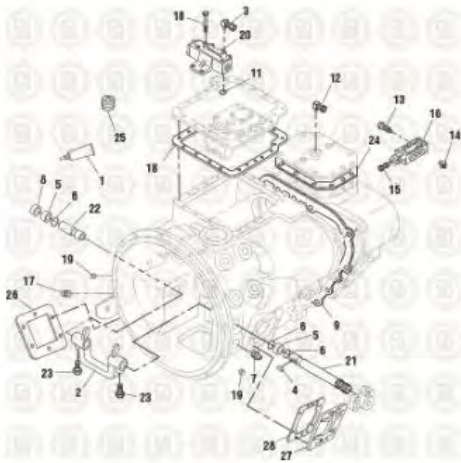
Continued



MACK TRANSMISSIONS – T310M – TRANSMISSION KITS

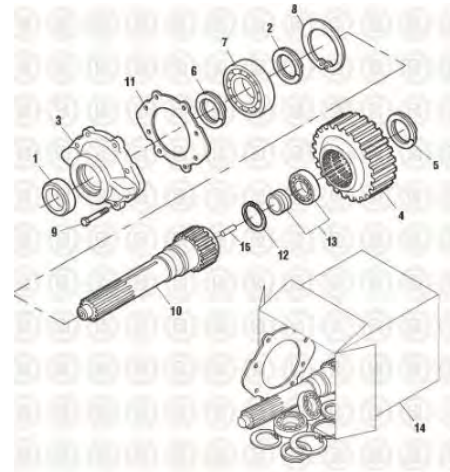
Continued

KEY	OEM REF.	DESCRIPTION	KEY	OEM REF.	DESCRIPTION
3	N/A	KIT, Rings Includes Rings (1)GRI-2701 (1)GRI-2714 (3)GRI-2734 (3)GRI-2735 (1)GRI-2784 (1)GRI-2786 (1)GRI-2797 (1)GRI-2798 (1)GRI-2824 (1)ESR-2832 (1)GRI-2834 Plugs (3)GKP-3492 (1)EPP-3575 (1)GPP-3578 (2)BDP-7630	5	MAK207SH47	KIT, Shim (Rear Box Countershaft) Include Shims (3)GSH-5996-003 (3)GSH-5996-005 (3)GSH-5996-006 (3)GSH-5996-007 (3)GSH-5996-015 (9)GSH-5996-030 (3)GSH-5996-070 (3)GSH-5996-080 (3)GSH-5996-090
3	MAK207SH36A	KIT, O-Ring (Range Cylinder) (Early) Includes O-Rings (1)GGA-2932 (1)GGA-2954 (1)GGA-2934 (1)GGA-2935 (1)GGA-2931 (1)GGA-2938 (2)EF30150 (1)GGA-2933 (1)GGA-2936 (3)GGA-2937 (1)321229	6	N/A	KIT, O-Ring Includes O-Rings (3)GGA-2942 (3)GGA-2949 (2)GGA-2937 (2)EF30150 (1)BBA-3004 (1)GGA-2933 (1)121284
4	MAK207SH38	KIT, O-Ring (Range Cylinder) (Late) Includes Wear Ring (1)GWR-2914 O-Rings (1)GGA-2915 (1)GGA-2916 (1)GGA-2933 (2)EF30150 (2)GGA-2937 Gasket (1)GGK-2913			
5	MAK207SH46	KIT, Shim (Front Box Countershaft) Includes Shims (6)GSH-5995-003 (3)GSH-5995-005 (3)GSH-5995-006 (3)GSH-5995-007 (3)GSH-5995-015 (3)GSH-5995-030 (3)GSH-5995-040 (3)GSH-5995-050 (3)GSH-5995-060			



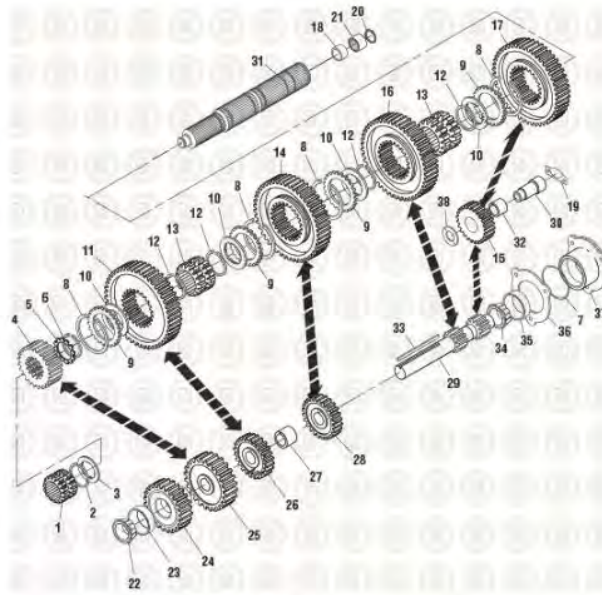
MACK TRANSMISSIONS – T310M – COMPOUND AND MAIN CASE ASSEMBLY

KEY	OEM REF.	DESCRIPTION
1	MAK3092340	SEALANT, Silicone Rubber (Cartridge gun tube 310 ml)
1	MAK342SX32	SEALANT, Silicone Rubber
2	MAK301KD43B	YOKE, Clutch Release
3	MAK63AX54122	FITTING (3 req'd)
4	MAK43AX41	KEY
5	MAK67AX204	BEARING (2 req'd)
6	MAK88AX349P3	SEAL
7	MAK44AX115	FITTING, Grease (1/8in x 27)
8	MAK79AX71	PLUG, Cup (1-1/4in)
9	MAK629KB53A	GASKET
10	MAK6AX1294	SCREW (2 req'd) (1/4in-20)
11	MAK56AX436	O-RING
12	MAK9032-1469X4	FITTING (2 req'd)
13	MAK63AX51081R	FITTING (2 req'd)
14	MAK63AX3654	ELBOW
15	MAK63AX54128	FITTING
16	MAK216KD235	VALVE, Air Directional
17	MAK63AX1041X	PLUG, Oil Fill (1-1/4in NPT)
18	MAK629KB411	GASKET, Cover
19	MAK49AX224	PLUG, Magnetic Filler
20	MAK216KD42B	VALVE, Slave
21	MAK604KC34A	SHAFT, Clutch Release
22	MAK604KC277A	SHAFT, Clutch Release
23	MAK7AX264X	SCREW, Lock (Dog Point) (2 req'd) (7/16in-20)
24	MAK629KB335A	GASKET, Cover
25	MAK49AX234Z	PLUG, Temperature Sending Unit Boss(1/4in NPT)
26	MAK412KB213P3	COVER, PTO (RH) (6 hole)
27	MAK412KB310B	COVER, PTO (LH) (8 hole)
28	MAK648KB23	GASKET



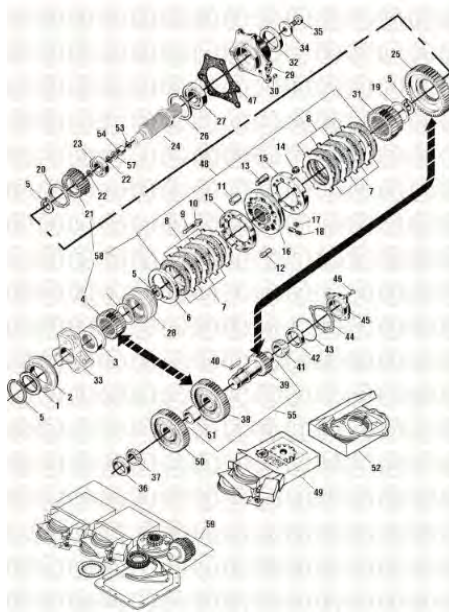
MACK TRANSMISSIONS – T310M – INPUT SHAFT

KEY	OEM REF.	DESCRIPTION
1	MAK88AX454	SEAL, Oil
2	MAK97AX260	RING, Retaining
3	MAK403KB295	COVER
4	MAK764KB330	GEAR
5	MAK97AX125	RING, Retaining
6	MAK97AX226	RING, Retaining
7	MAK46AX410	BEARING, Main Drive
8	MAK97AX262	RING, Retaining
9	MAK551KC210	SCREW
10	MAK764KB4203E	GEAR, Main Drive
10	MAK764KB293	SHAFT, Input(w/ Oil Pump) (w/ Oil Tube GTB-0480)
11	MAK629KB328B	GASKET, Front Cover
12	MAK97AX54	RING, Retaining
13	MAK67AX311	BEARING
14	N/A	KIT, Input Shaft (w/o Oil Pump and w/o Flywheel PTO units) Includes Main Drive Gear (1)EM67350 Gasket (1)GGK-3921 Seal (1)EM67200 Rings (1)GRI-2714 (1)GRI-2798 (1)GRI-2701 (1)ESR-2832 (1)GRI-2797 Bearings (1)EM65930 (1)EM66200
15	MAK186KD129	TUBE, Oil (w/ Shaft Input 806735)



MACK TRANSMISSIONS – T310M – MAIN CASE COMPONENTS

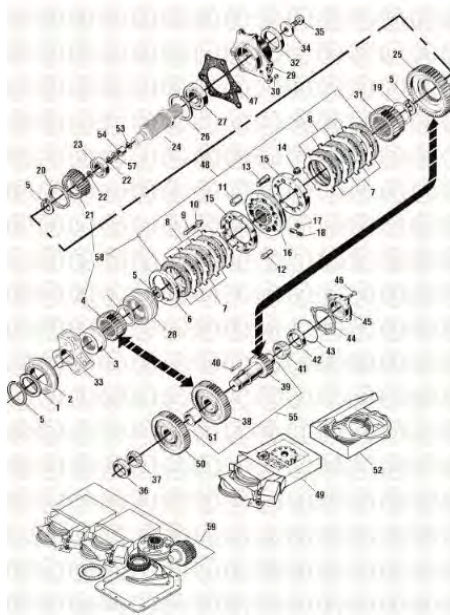
KEY	OEM REFERENCE	DESCRIPTION	KEY	OEM REFERENCE	DESCRIPTION
1	MAK320KB3148	CLUTCH, Sliding	26	MAK757KB3223	GEAR, 2nd/6th Countershaft
2	MAK555AM4	RING ,Retaining	27	MAK31KD2109AP2	SPACER, Countershaft (1-5/8in thk)
3	MAK223KD241	WASHER ,Thrust (1 req'd)	28	MAK757KB3312B	GEAR, 1st/5th Countershaft
4	MAK751KB3539	GEAR, 4th/8th Mainshaft	28	MAK22031266	GEAR, Countershaft (31 teeth)
5	MAK223KD329	WASHER, Thrust (1 req'd)	29	MAK605KC4206	COUNTERSHAFT
6	MAK97AX266	RING, Retaining	29	MAK605KC4232	COUNTERSHAFT (w/o PTO)
7	MAK56AX539	O-RING	29	MAK605KC4233	COUNTERSHAFT (PTO Version)
8	MAK97AX172	RING, Snap (T310M)	30	MAK611KC230	SHAFT, Reverse Idler
8	MAK97AX171	RING, Retaining	31	MAK615KC4209	MAINSHAFT, Front (T309, T310)
9	MAK223KD328	WASHER, Thrust (4 req'd)	31	MAK615KC4203	MAINSHAFT, Front
10	MAK223KD249	WASHER, Thrust (5 req'd)	32	MAK67AX334	BEARING
11	MAK751KB4140	GEAR, 2nd/6th Mainshaft	33	MAK42AX642	KEY
12	MAK97AX151	RING, Retaining (2 req'd)	34	MAK62AX487	CONE
13	MAK320KB3149	CLUTCH, Sliding (2 req'd)	35	MAK64AX292	CUP
14	MAK751KB4141	GEAR, 1st/5th	36	MAK741KC321CP3	SHIM (.003in thk)
15	MAK751KB268	GEAR	36	MAK741KC321CP5	SHIM (.005in thk)
16	MAK751KB4147	GEAR, Lo-Range Speed	36	MAK741KC321CP6	SHIM (.006in thk)
16	MAK751KB4164	GEAR, 1st/6th	36	MAK741KC321CP7	SHIM (.007in thk)
17	MAK751KB4163	GEAR, Reverse	36	MAK741KC321CP15	SHIM (.015in thk)
18	MAK80AX775	RACE, Bearing	36	MAK741KC321CP30	SHIM (.030in thk)
19	MAK07KC22	RETAINER, Idler Shaft	36	MAK741KC321P40	SHIM (.040in thk)
20	MAK97AX265	RING	36	MAK741KC321P50	SHIM (.050in thk)
21	MAK67AX335	BEARING	36	MAK741KC321P60	SHIM (.060in thk)
22	MAK62AX489	CONE	37	MAK451KC3112	RETAINER, Housing
23	MAK64AX294	CUP	38	MAK23KD262P2	WASHER, Thrust (3 req'd)
24	MAK757KB434A	GEAR, Maindrive Countershaft	39	MAK56AX539	O-RING (Front Countershaft Cover)
25	MAK757KB4126	GEAR, 4th/8th Countershaft (53 teeth)			



MACK TRANSMISSIONS – T310M – REAR CASE COMPONENTS

KEY	OEM REFERENCE	DESCRIPTION	KEY	OEM REFERENCE	DESCRIPTION
1	MAK31KD2136	RETAINER	20	MAK97AX284	RING, Retaining
2	MAK46AX517	BEARING	21	MAK84KC47	HUB, Lo Range
3	MAK788KC286	SLEEVE	21	MAK84KC46	HUB, Lo Range
4	MAK764KB4270	GEAR, Compound	21	MAK84KC410	HUB, Lo Range (used w/ GSA-2497 Synchronizer)
4	MAK751KB3495A	GEAR, Compound	21	MAK84KC411	HUB, Lo Range (used w/ GSA-2497 Synchronizer)
4	MAK764KB4278	GEAR, Compound (used w/ GSA-249 Synchronizer)	22	MAK97AX267	RING, Retaining
4	MAK764KB4279	GEAR, Compound(used w/ GSA-2497 Synchronizer)	22	MAK97AX258	RING, Retaining
5	MAK97AX151	RING, Retaining	23	MAK46AX538	BEARING
6	MAK351KC331B	PLATE, Synchronizer	24	MAK601KC422	MAINSHAFT
7	MAK495KB361	DISC, Friction (8 req'd)	25	MAK751KB4165	GEAR, Lo Range
8	MAK495KB367	DISC, Reaction (8 req'd)	26	MAK97AX274	RING, Retaining
9	MAK6AX1606X	SCREW, Synchronizer (5/16in-18 x 1-7/8in)	27	MAK46AX522	BEARING (w/ Oil Control Sleeve)
10	MAK298KB213	CLAMP, Support Pin (Front)	28	MAK320KB3141	CLUTCH, Compound
11	MAK301KC243C	SLEEVE, Synchronizer Support	29	MAK406KB234A	COVER
12	MAK301KC34	PIN, Synchronizer (Lo Clutch)	30	MAK153KB15	BUSHING, Speedometer Drive
13	MAK301KC33	PIN, Synchronizer (Hi Clutch)	31	MAK751KB4123	GEAR, Hi Range
14	MAK298KB214	CLAMP, Support Pin (Rear)	31	MAK751KB4176	GEAR, Hi Range (used w/ GSA-2497 Synchronizer)
15	MAK53KC486E	HOUSING, Synchronizer	32	MAK88AX463	SEAL
16	MAK21636360	CLUTCH, Synchronizer (Backtapper Gear) (used w/ GSA-2497 Synchronizer)	33	MAK451KC420B	RETAINER
16	MAK320KB459A	CLUTCH, Synchronizer	34	MAK297KB219P2	CLAMP
17	MAK301KC35	PIN	34	MAK297KB29A	CLAMP
18	MAK107KD247	SPRING	35	MAK3AX1803X	SCREW (7/8in-14 x 2-1/4in)
19	MAK223KD249	WASHER	36	MAK64AX292	CUP
			37	MAK62AX487	CONE
			38	MAK757KB4106	GEAR, Main Drive (Keyed)

Continued

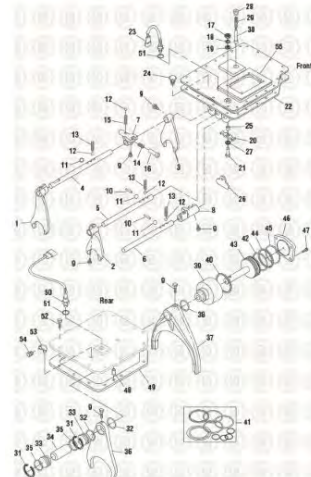
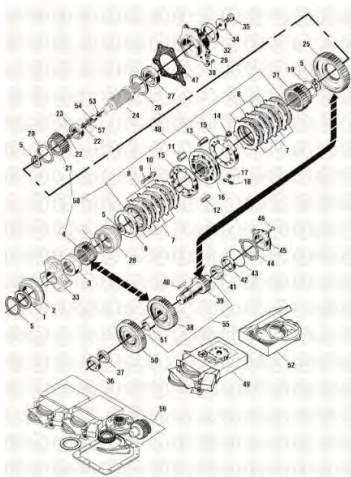


MACK TRANSMISSIONS – T310M – REAR CASE COMPONENTS

Continued

KEY	OEM REFERENCE	DESCRIPTION	KEY	OEM REFERENCE	DESCRIPTION
38	MAK22031266	GEAR, Main Drive (Splined)	48	MAK320KB3147	ASSEMBLY, Synchronizer Includes Discs (8)GSD-2525 (8)GSD-2526 Clutch (1)GGB-2542 Housings (2)GSH-2515 Sleeves (3)GSL-2524 Screws (3)GSC-2201 Clamps (3)GCL-2516 (3)GCL-2517 Pins (3)GPN-2508 (3)GPN-2509 (3)GPN-2507 Springs (3)GSP-2506
39	MAK605KC4227	COUNTERSHAFT	49	MAK85132094	ASSEMBLY, Synchronizer (Backtapper Gear) (Used with GSA-2497 Synchronizer) Includes Screws (3)GSC-2201 Pins (3)GPN-2507 Discs (8)GSD-2525 (8)GSD-2526 Springs (3)GSP-2506 Clamps (3)GCL-2516 (3)GCL-2517 Clutch (1)GGB-2499
39	MAK605KC4220	COUNTERSHAFT (w/o PTO) (18 teeth)	49	MAK208SH99	KIT, Synchronizer (Used w/ GSA-2504 Synchronizer) Includes Discs (8)GSD-2525 (8)GSD-2526 Pins (3)GPN-2521 (3)GPN-2522 Balls (6)GDB-1665 Springs (6)GSP-1669
39	MAK605KC488	COUNTERSHAFT (Keyed)	50	MAK757KB3326	GEAR, Compound Reverse
39	MAK605KC4243	COUNTERSHAFT (Splined Shaft)	51	MAK31KD2109AP2	SPACER, Countershaft (1-5/8in thk)
40	MAK42AX647	KEY (1/2in x 5-7/16in)	52	MAK207SH47	KIT, Shim Includes Shims (3)GSH-5996-003 (3)GSH-5996-005 (3)GSH-5996-006 (3)GSH-5996-007 (3)GSH-5996-015 (9)GSH-5996-030 (3)GSH-5996-070 (3)GSH-5996-080 (3)GSH-5996-090
40	MAK42AX641	KEY (1/2in x 1-7/8in) (Use w/ GSC-8945 Countershaft)	53	MAK97AX265	RING, Retaining
41	MAK62AX292	CONE			
42	MAK64AX16	CUP			
43	MAK56AX541	O-RING			
44	MAK741KC323P3	SHIM (.003in thk)			
44	MAK741KC323P6	SHIM (.006in thk)			
44	MAK741KC323AP7	SHIM (.007in thk)			
44	MAK741KC323P15	SHIM (.015in thk)			
44	MAK741KC323P30	SHIM (.030in thk)			
44	MAK741KC323P70	SHIM (.070in thk)			
44	MAK741KC323P80	SHIM (.080in thk)			
44	MAK741KC323P90	SHIM (.090in thk)			
45	MAK451KC3112	RETAINER			
46	MAK6AX1317X	SCREW (7/16in-14 x 1-1/4in)			
47	MAK629KB331A	GASKET			
48	MAK320KB464	ASSEMBLY, Synchronizer (Used with GSA-2498 Synchronizer) Includes Synchro Assembly (1)GSA-2498 Sleeves (3)GSL-2524 Pins (3)GPN-2509 (3)GPN-2508 Housings (2)GSH-2515			

Continued



MACK TRANSMISSIONS – T310M – REAR CASE COMPONENTS

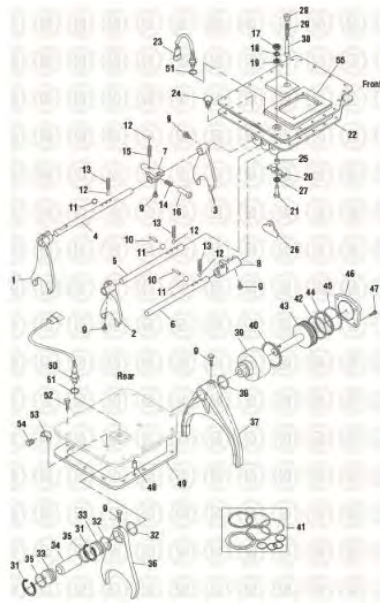
Continued

KEY	OEM REFERENCE	DESCRIPTION
54	MAK80AX775	RACE,Bearing
55	MAK605KC4134	KIT, Countershaft Includes Countershaft (1)GSC-8945 Gear (1)GGB-6481 Spacer (1)GSP-1063-002 Keys (2)GKY-2689
57	MAK67AX335	BEARING
58	N/A	KIT, Synchronizer Upgrade Includes Hub (1)806810 Gear (1)806831 Synchronizer (1)GSA-2497
58	N/A	KIT, Synchronizer Upgrade Includes Hub (1)806811 Gear (1)806829 Synchronizer (1)GSA-2497
58	N/A	KIT, Synchronizer Upgrade Includes Hub (1)806811 Gear (1)806828 Synchronizer (1)GSA-2497
59	MAK85148828	KIT, Synchronizer Repair Includes Hub (1)806811 Gear (1)806829 Gaskets (1)GGK-3924 (1)GGK-3837 (1)GGK-2913 (1)GGK-3839 Synchronizer (1)GSA_2497 Fork (1)GSF-0662 Screws (1)GSC-6116 (1)GSC-6060 Plate (1)GSP-2514 Rings (3)GRI-2836 (2)GRI-2785 (1)GRI-2787 Washer (1)GTW-5998 Bearing (1)GBG-6655 O-Ring (1)GGA-2933 Seal (1)GOS-6951

MACK TRANSMISSIONS – T310M – SHIFTER COMPONENTS

KEY	OEM REF.	DESCRIPTION
1	MAK575KB3303C	FORK, Shift,4th/5th
2	MAK575KB3320D	FORK, Shift,2nd/3rd
3	MAK575KB3306B	FORK, Shift,1st/Reverse
4	MAK591KC3164A	RAIL, Shift,1st/Reverse
5	MAK591KC3165A	RAIL, Shift,2nd/3rd
6	MAK591KC3166A	RAIL, Shift,4th/5th
7	MAK699KC42	SHIFTER, 1st/Reverse
8	MAK699KC43	SHIFTER, 4th/5th
9	MAK7AX264X	SCREW, Lock(Dog Point)
10	MAK301KC248	PIN, Interlock
11	MAK48AX19	BALL, Detent (13/16in dia.)
12	MAK48AX17	BALL, Detent (13/16in dia.)
13	MAK107KD260	SPRING
14	MAK107KD118	SPRING
15	MAK107KD116	SPRING
16	MAK411KC18A	PLUNGER
17	MAK21AX28	NUT (1/2in-20 NF)
18	MAK37AX6	WASHER, Lock
19	MAK36AX5	WASHER, Flat
20	MAK521KC114	ROCKER
21	MAK311KC215	PIN, Pivot
21	MAK3AX2050	PIN, Pivot
22	MAK629KB411	GASKET
23	MAK1MR3481M	SWITCH
24	MAK541KB29	BREATHER
25	MAK31KD2169	SPACER
26	MAK521KC216	INTERLOCK, Rocker Range
27	MAK35AX1446X	WASHER
28	MAK796KC287	SLEEVE
29	MAK107KD242	SPRING
30	MAK529KC25A	PIN
31	MAK97AX113	RING, Retaining (1-1/4in ID)

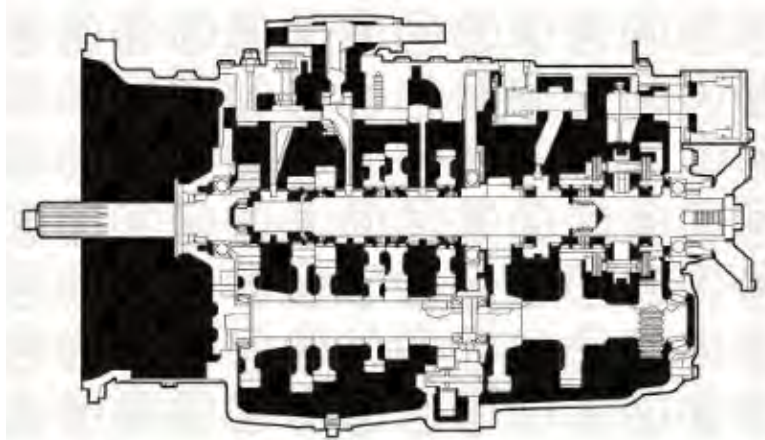
Continued



MACK TRANSMISSIONS – T310M – SHIFTER COMPONENTS

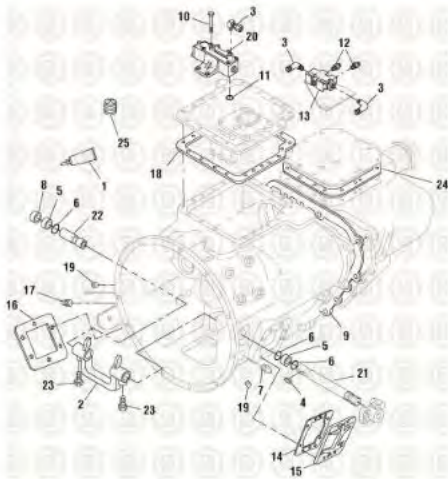
Continued

KEY	OEM REF.	DESCRIPTION	KEY	OEM REF.	DESCRIPTION
32	MAK56AX568	O-RIN (1-7/16in OD - 1-3/16in ID)	44	MAK629KB251	GASKET (T309L)
33	MAK366KC221	PLUG, Shift Cover (3/4in ID)	44	MAK89KB21	RING, Wear (T310M)
34	MAK591KC3177	RAIL, Forward-Reverse (Multi-Speed)	45	MAK56AX558	O-RING
35	FUL14765	O-RING (1in ID x 1-1/4in OD)	46	MAK414KB3113	COVER
36	MAK575KB467A	FORK, Hi-Reverse	47	MAK6AX1642	BOLT
37	MAK575KB457	FORK, Range (Hi-Lo)	48	MAK502KB113	DOWEL
38	MAK56AX557	O-RING (2-5/16in ID x 2-1/2in OD)	49	MAK629KB335A	GASKET, Cover Rear
39	MAK55KC421	CYLINDER, Range Housing	50	MAK1MR3482M	SWITCH, Back-up (w/ Connector) (Normally Open)
40	MAK561KC23	O-RING	51	MAK56AX381	O-RING
41	MAK207SH36A	KIT, Range Cylinder O-Rin (Early) Includes O-Rings (1)GGA-2932 (1)GGA-2954 (1)321229 (1)GGA-2934 (1)GGA-2935 (1)GGA-2931 (1)GGA-2938 (2)EF30150 (1)GGA-2933 (1)GGA-2936 (3)GGA-2937	52	MAK551KC28	SCREW (3/8-16 NC x 1-1/4in)
41	MAK207SH38	KIT, Range Cylinder O-Ring(Late) Includes Ring (1)GWR-2914 O-Rings (1)GGA-2915 (1)GGA-2916 (1)GGA-2933 (2)GGA-2937 (2)EF30150 Gasket (1)GGK-2913	53	MAK745-230809	FITTING
41	N/A	KIT, O-Ring Includes O-Rings (3)GGA-2942 (3)GGA-2949 (2)GGA-2937 (2)EF30150 (1)BGA-3004 (1)GGA-2933 (1)121284	54	MAK63AX6	BUSHING, Reducer (1/4-1/8in NPT)
42	MAK561KC22	O-RING	55	MAK629KB250	GASKET,Cover
43	MAK591KC3194	RAIL, Range (w/ 5.50in Shaft)			
43	MAK591KC3194P2	RAIL, Range (w/ 6.25in Shaft)			



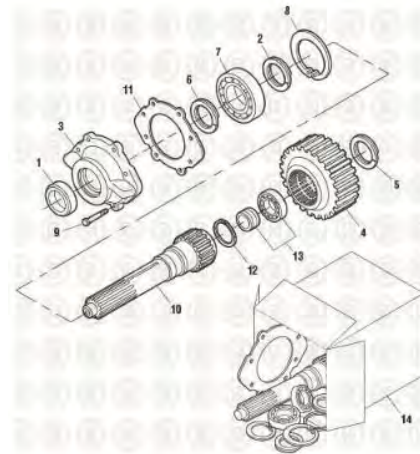
**MACK TRANSMISSIONS – T313L AND T318L
 –TRANSMISSION KITS**

KEY	OEM REF.	DESCRIPTION	KEY	OEM REF.	DESCRIPTION
1	MAK208SH117B	KIT, Bearing Includes Bearings (1)GBG-6593 (1)GBG-6083 (1)GBG-7319 (1)GBG-6655 (3)GBG-6033 (6)GBG-6037 (3)GBG-6035 (3)GCU-6034 (6)GCU-6038 (3)GCU-6036 (2)GBG-6102 (1)GBG-620 (3)GBG-6071 (1)GBG-6133 (1)GSP-3014-TIM Springs (1)GSP-1672 (1)GSP-1673 (3)GSP-2506 (3)807001 Washers (1)GTW-5999 (6)GTW-5998 (4)GTW-1201 (1)1022 (3)FWA-0395 (3)GWA-5973 Screw (1)FSC-0928 Retainer (1)GSP-5988 Spacer (1)GSP-5979 Pins (1)807005 (2)GPN-5139 Balls (4)GDB-1665 (3)GDB-1566 Plugs (1)GPP-3578 (1)GPP-3571 (3)GSP-3484 (1)GSP-3495 Plunger (1)GPL-2519 Gasket Kit (1)806860 Shim Kits (1)GBK-8955-400 (1)GBK-8963-400 O-Ring (1)321229 Ring Kit (1)ERK-8997 Screws (6)GSC-6116	3	MAK342SH598	KIT, Ring Includes Rings (1)GRI-2824 (1)ERS-2832 (1)GRI-2714 (1)GRI-2798 (1)GRI-2786 (1)GRI-2701 (1)GRI-2784 (1)GRI-2795 (1)GRI-2799 (1)GRI-2787 (2)GRI-2847 (6)GRI-2735 (1)GRI-2797 (2)GRI-2785 (10)GRI-2734
2	MAK207SH44A	KIT, Gasket Includes Gaskets (1)GGK-3924 (1)GGK-3839 (1)GGK-3836 (1)GGK-3837 (1)GGK-2913 (1)GGK-3921 Seals (3)GOS-6201 (1)GOS-6720 (1)GOS-6951 O-Rings (3)GGA-2942 (3)GGA-2949 (1)GGA-2931 (1)GGA-2933 (1)GGA-2937 (1)GGA-2938 (1)321229 Sealant (1)BSR-0385			



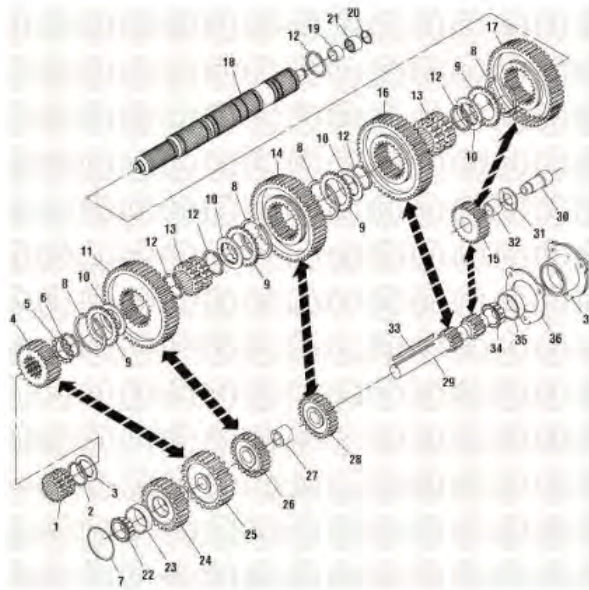
**MACK TRANSMISSIONS – T313L AND T318L
– COMPOUND AND MAIN CASE ASSEMBLY**

KEY	OEM REF.	DESCRIPTION
1	MAK3092340	SEALANT, Silicone Rubber (Cartridge gun tube 310 ml)
1	MAK342SX32	SEALANT, Silicone Rubber
2	MAK301KD43B	YOKE, Clutch Release
3	MAK63AX54122	FITTING(3 req'd)
4	MAK43AX41	KEY
5	MAK67AX204	BEARING(2 req'd)
6	MAK88AX349P3	SEAL
7	MAK44AX115	FITTING, Grease (1/8in x 27thd)
8	MAK79AX71	PLUG (1-1/4in Cup)
9	MAK629KB53A	GASKET
10	MAK6AX1294	SCREW (2 req'd) (1/4in-20)
11	MAK56AX436	O-RING
12	MAK63AX54121	FITTING
13	MAK20QE2344	VALVE, Shuttle
14	MAK648KB23	GASKET
15	MAK412KB310B	COVER, PTO (LH) (8 hole)
16	MAK412KB213P3	COVER, PTO (RH) (6 hole)
17	MAK63AX1041X	PLUG, Oil Fill (1-1/4in NPT)
18	MAK629KB411	GASKET, Cover
19	MAK49AX224	PLUG, Magnetic Filler
20	MAK216KD42B	VALVE, Slave
21	MAK604KC34A	SHAFT, Clutch Release
22	MAK604KC277A	SHAFT, Clutch Release
23	MAK7AX264X	SCREW, Lock(Dog Point) (2 req'd)(7/16in-20)
24	MAK629KB335A	GASKET, Cover
25	MAK49AX234Z	PLUG, Temperature Sending Unit Boss(1/4in NPT)



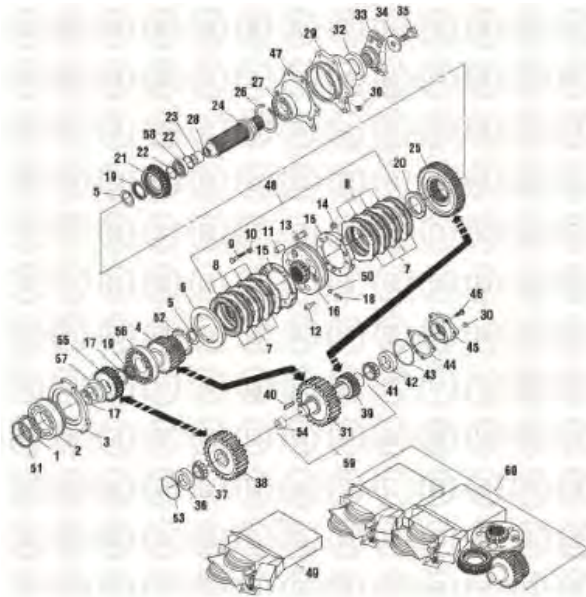
**MACK TRANSMISSIONS – T313L AND T318L – INPUT
SHAFT**

KEY	OEM REF.	DESCRIPTION
1	MAK88AX454	SEAL, Oil
2	MAK97AX260	RING, Retaining
3	MAK403KB295	COVER, Main Drive (up to 3/31/04)
4	MAK764KB3308	GEAR
5	MAK97AX125	RING, Retaining
6	MAK97AX226	RING, Retaining
7	MAK46AX410	BEARING
8	MAK97AX262	RING, Retaining
9	MAK551KC210	SCREW
10	MAK764KB4203E	GEAR, Main Drive
11	MAK629KB328B	GASKET, Front Cover
12	MAK97AX54	RING, Retaining
13	MAK67AX311	BEARING
14	N/A	KIT, Input Shaft (w/o Oil Pump and w/o Flywheel PTO units) Includes Main Drive Gear (1)EM67350 Gasket (1)GGK-3921 Seal (1)EM67200 Rings (1)GRI-2714 (1)GRI-2798 (1)GRI-2701 (1)ESR-2832 (1)GRI-2797 Bearings (1)EM65930 (1)EM66200



MACK TRANSMISSIONS – T313L AND T318L – MAIN CASE COMPONENTS

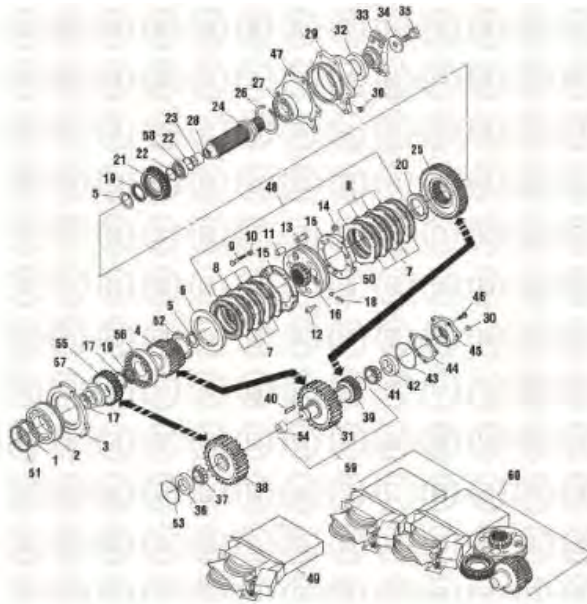
KEY	OEM REF.	DESCRIPTION	KEY	OEM REF.	DESCRIPTION
1	MAK320KB3148	CLUTCH, Sliding	26	MAK757KB3223	GEAR, Countershaft
2	MAK555AM4	RING, Retaining	27	MAK31KD2109AP2	SPACER, Countershaft (1-5/8in thk)
3	MAK223KD241	WASHER, Thrust (1 req'd)	28	MAK757KB3312B	GEAR, Countershaft
4	MAK751KB3539	GEAR, Mainshaft (4th/8th)	28	MAK22031266	GEAR, Countershaft (31 teeth)
5	MAK223KD329	WASHER, Thrust (1 req'd)	29	MAK605KC4201	COUNTERSHAFT(w/o Rear PTO)
6	MAK97AX266	RING, Retaining	29	MAK605KC4199	COUNTERSHAFT (w/o Rear PTO w/ Oil Pump)
7	MAK56AX539	O-RING	29	MAK605KC4204	COUNTERSHAFT (w/o Rear PTO w/ Oil Pump)
8	MAK97AX171	RING, Retaining	30	MAK611KC230	SHAFT, Reverse Idler
9	MAK223KD328	WASHER, Thrust (4 req'd)	31	MAK223KD262P2	WASHER, Thrust(3 req'd)
10	MAK223KD249	WASHER, Thrust (5 req'd)	32	MAK67AX334	BEARING
11	MAK751KB4140	GEAR, Mainshaft (2nd/6th)	33	MAK42AX643	KEY
12	MAK97AX151	RING, Retaining (2 req'd)	34	MAK62AX487	CONE
13	MAK320KB3149	CLUTCH, Sliding (2 req'd)	35	MAK64AX292	CUP
14	MAK751KB4141	GEAR, 1st5th Speed	36	MAK741KC321CP3	SHIM (.003in thk)
15	MAK751KB284	GEAR (24 teeth) (T309L)	36	MAK741KC321CP5	SHIM (.005in thk)
16	MAK751KB4148	GEAR, Lo-Range Speed (51 teeth/35 spline)	36	MAK741KC321CP6	SHIM (.006in thk)
16	MAK751KB4164	GEAR, 1st/6th	36	MAK741KC321CP7	SHIM (.007in thk)
17	MAK751KB4168	GEAR, Reverse	36	MAK741KC321CP15	SHIM (.015in thk)
18	MAK615KC4204A	MAINSHAFT	36	MAK741KC321CP30	SHIM (.030in thk)
19	MAK80AX775	RACE, Bearing	36	MAK741KC321P40	SHIM (.040in thk)
20	MAK97AX258	RING	36	MAK741KC321P50	SHIM (.050in thk)
21	MAK67AX335	BEARING	36	MAK741KC321P60	SHIM (.060in thk)
22	MAK62AX489	CONE	37	MAK451KC3108A	RETAINER, Housing
23	MAK64AX294	CUP			
24	MAK757KB434A	GEAR, Countershaft, Maindrive (47 teeth)			
25	MAK757KB428A	GEAR, Countershaft			



MACK TRANSMISSIONS – T313L AND T318L – REAR CASE COMPONENTS

KEY	OEM REFERENCE	DESCRIPTION	KEY	OEM REFERENCE	DESCRIPTION
1	MAK97AX258	RING, Retaining	18	MAK107KD247	SPRING
2	MAK46AX517	BEARING	19	MAK223KD249	WASHER, Thrust (Use w/ Pin GGB-6209)
3	MAK451KC420B	RETAINER	21	MAK84KC411	HUB, Lo Range (Used w/ GSA 2498 Synchronizer)
4	MAK751KB4123	GEAR, Compound, Main Drive	20	MAK97AX284	RING, Retaining
4	MAK751KB4130	KIT, Synchronizer Includes Hub (1)806811 Gear (1)806830 Synchronizer Assembly (1)GSA-2497	21	MAK84KC47	HUB, Lo Range
4	MAK751KB4176	GEAR, Compound, Main Drive (Used w/ GSA 2498 Synchronizer)	22	MAK97AX267	RING, Retaining
4	MAK751KB4177	GEAR, Compound, Main Drive (Used w/ GSA 2497 Synchronizer)	23	MAK67AX335	BEARING, Roller
5	MAK555AM7	RING, Retaining	24	MAK601KC442	MAINSHAFT
6	MAK351KC331B	PLATE, Synchronizer	24	MAK601KC422	MAINSHAFT
7	MAK495KB361	DISC, Friction (8 req'd)	25	MAK751KB3493	GEAR, Lo Range
8	MAK495KB367	DISC, Reaction (8 req'd)	26	MAK97AX274	RING, Retaining
9	MAK6AX1606X	SCREW, Synchronizer (5/16in-18 x 1-7/8in)	27	MAK46AX522	BEARING (w/ Oil Control Sleeve)
10	MAK298KB213	CLAMP, Support Pin (Front)	28	MAK97AX265	RING, Retaining
11	MAK301KC243C	SLEEVE, Synchronizer Support	28	MAK605KC4134	KIT, Countershaft, Compound Includes Countershaft (1)GCS-8945 Gear (1)GGB-6481 Spacer (1)GSP-1063-002 Keys (2)GKY-2689
12	MAK301KC34	PIN, Synchronizer (Lo Clutch)	29	MAK406KB234A	COVER
13	MAK301KC33	PIN, Synchronizer (Hi Clutch)	30	MAK49AX271	PLUG
14	MAK298KB214	CLAMP, Support Pin (Rear)	31	MAK757KB4106	GEAR, Countershaft, Auxiliary(Keyed)
15	MAK53KC486E	HOUSING, Synchronizer	31	MAK22031266	GEAR, Countershaft, Auxiliary(Splined)
16	MAK21636360	CLUTCH, Synchronizer	32	MAK88AX463	SEAL
16	MAK320KB459A	CLUTCH, Synchronizer	33	N/A	YOKE
17	MAK97AX151	RING, Retaining (Use w/ Pin GGB-6209)	34	MAK297KB219P2	CLAMP
			35	MAK3AX1803X	SCREW (7/8in-14 x 2-1/4in)

Continued

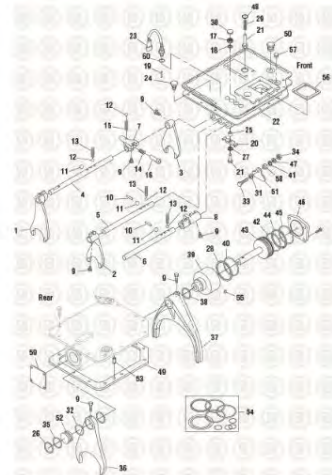
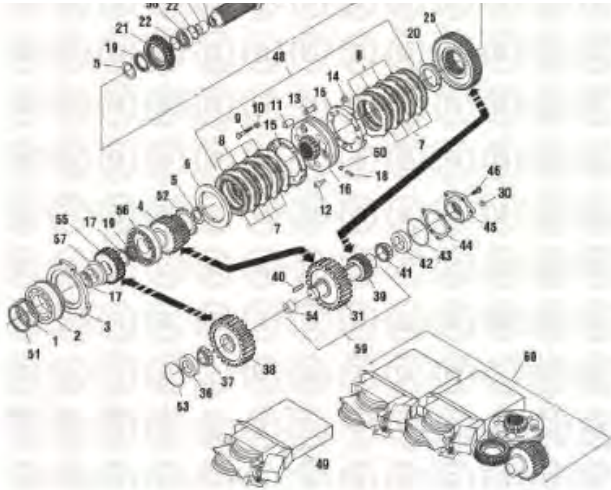


MACK TRANSMISSIONS – T313L AND T318L – REAR CASE COMPONENTS

Continued

KEY	OEM REFERENCE	DESCRIPTION	KEY	OEM REFERENCE	DESCRIPTION
36	MAK64AX292	CUP TIM LM501310	49	MAK208SH99A	KIT,Synchronizer(For GSA-2504) Includes Discs (8)GSD-2525 (8)GSD-2526 Pins (3)GPN-2508 (3)GPN-2509 (3)GPN-2507 Springs (3)GSP-2506 Sleeves (3)GSL-2524
37	MAK62AX487	CONE	50	MAK301KC35	PIN
38	MAK757KB4108	GEAR, Main Drive (Underdrive)	51	MAK31KD2136	RETAINER
39	MAK605KC4227	COUNTERSHAFT	52	MAK223KD249	WASHER, Thrust
40	MAK42AX647	KEY (1/2in x 5-7/16)	53	MAK56AX539	O-RING, Countershaft, Retainer
40	MAK42AX641	KEY (1/2in x 1-7/8in) (Use w/ GSC-8945 Countershaft)	54	MAK31KD2109AP2	SPACER, Countershaft (1-5/8in thk.)
41	MAK62AX292	CONE	55	MAK751KB3491A	GEAR, Compound, Main Drive
42	MAK64AX16	CUP	56	MAK320KB3141	CLUTCH
43	MAK56AX541	O-RING	56	MAK320KB3142	CLUTCH, Sliding Auxilliary(T313, T318)
44	MAK741KC323P3	SHIM (.003in thk)	57	MAK788KC286	SLEEVE
44	MAK741KC323P6	SHIM (.006in thk)	58	MAK46AX538	BEARING, Roller
44	MAK741KC323P15	SHIM (.015in thk)	59	MAK605KC4134	KIT, Countershaft,Compound Includes Countershaft (1)GCS-8945 Keys (2)GKY-2689 Gear (1)GGB-6481 Spacer (1)GSP-1063-002
44	MAK741KC323P30	SHIM (.030in thk)	60	N/A	KIT, Synchronizer Upgrade Includes Hub (1)806811 Gear (1)806829 Synchronizer Assembly (1)GSA-2497
45	MAK451KC3112	RETAINER			
46	MAK6AX1317X	SCREW (7/16in-14 x 1-1/4in)			
47	MAK629KB331A	GASKET			
48	MAK320KB464	ASSEMBLY, Synchronizer (Complete) Includes Synchro Assembly (1)GSA-2498 Sleeves (3)GSL-2524 Pins (3)GPN-2509 (3)GPN-2508 Housings (2)GSH-2515			
48	MAK320KB3147	ASSEMBLY, Synchronizer			
49	MAK85132094	ASSEMBLY, Synchronizer (Backtapper Gear)			

Continued



MACK TRANSMISSIONS – T313L AND T318L – REAR CASE COMPONENTS

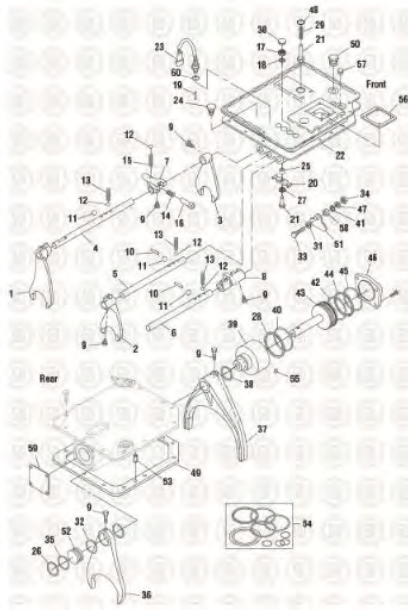
Continued

KEY	OEM REFERENCE	DESCRIPTION
60	N/A	KIT, Synchronizer Upgrade Includes Hub (1)806811 Gear (1)806830 Synchronizer Assembly (1)GSA-2497
61	MAK85148828	KIT, Synchronizer Repair Includes Fork (1)GSF-0662 Synchronizer (1)GSA-2497 Plate (1)GSP-2514 Rings (2)GRI-2785 (1)GRI-2787 (3)GRI-2836 O-Ring (1)GGA-2933 Gaskets (1)GGK-2913 (1)GGK-3837 (1)GGK-3839 (1)GGK-3924 Washer (1)GTW-5998 Screws (1)GSC-6060 (1)GSC-6116 Bearing (1)EM66550 Seal (1)GOS-6951 Hub (1)806811 Gear (1)806829

MACK TRANSMISSIONS – T313L AND T318L – SHIFTER COMPONENTS

KEY	OEM REF.	DESCRIPTION
1	MAK575KB3303C	FORK, Shift,4th/5th
2	MAK575KB3320D	FORK, Shift,2nd/3rd
3	MAK575KB3306B	FORK, Shift,1st/Reverse
4	MAK591KC3164A	RAIL, Lo/Reverse
5	MAK591KC3165A	RAIL, 1st/5th/2nd/6th
6	MAK591KC3166A	RAIL, 4th/5th
7	MAK699KC42	SHIFTER, 1st/Reverse
8	MAK699KC43	SHIFTER, 4th/5th
9	MAK7AX264X	SCREW, Lock (Dog Point)
10	MAK301KC248	PIN, Interlock
11	MAK48AX19	BALL, Detent (13/16in Dia.)
12	MAK48AX17	BALL, detent (1/2in Dia.)
13	MAK107KD260	SPRING
14	MAK107KD118	SPRING
15	MAK107KD116	SPRING
16	MAK411KC18A	PLUNGER, 1st/Reverse
17	MAK21AX918	NUT
18	MAK36AX5	WASHER, Lock
19	MAK301KC278	PIN, Backup Switch
20	MAK521KC114	ROCKER
21	MAK311KC215	PIN, Rocker Pivot
21	MAK3AX2050	BOLT
22	MAK629KB411	GASKET (Main Case Cover)
23	MAK1MR3481M	SWITCH, Reverse (w/ Plug) (Short reach)
24	MAK541KB29	BREATHER (Main Case)
25	MAK31KD2169	SPACER
26	MAK56AX552	O-RING
27	MAK35AX1446X	WASHER
28	MAK446GC1103	O-RING
29	MAK107KD242	SPRING, Range Shift Valve

Continued



MACK TRANSMISSIONS – T313L AND T318L – SHIFTER COMPONENTS

Continued

KEY	OEM REF.	DESCRIPTION	KEY	OEM REF.	DESCRIPTION
29	MAK107KD1179	SPRING, Range Shift Valve (w/o Flywheel PTO)	54	MAK207SH36A	KIT, Range Cylinder O-Ring (Early) Includes O-Rings (1)GGA-2932 (1)GGA-2954 (1)321229 (1)GGA-2934 (1)GGA-2935 (1)GGA-2931 (1)GGA-2938 (2)EF30150 (1)GGA-2933 (1)GGA-2936 (3)GGA-2937
30	MAK49AX259	PLUG	54	MAK207SH38	KIT, Range Cylinder O-Ring (Late) Includes O-Rings (1)GGA-2914 (1)GGA-2915 (1)GGA-2916 (1)GGA-2931(1)GGA-2933 (2)GGA-2937 (2)EF31050 Gasket (1)GGK-2913
31	MAK37AX265	WASHER	55	MAK541KB19	BREATHER
32	MAK56AX568	O-RING, Splitter Cover	56	MAK629KB250	GASKET, Cover
33	MAK3AX1731	SCREW (3/8in-24 x 1-3/4in)	57	MAK79AX57X	PLUG
34	MAK20AX3	NUT (3/8in-24)	58	MAK31KD2170	SPACER
35	MAK56AX569	O-RING, Splitter Cover	59	MAK414KB2146	COVER, Compound Piston
36	MAK575KB3378	FORK, Splitter	60	MAK56AX381	O-RING
37	MAK575KB457	FORK, Hi/Lo			
38	MAK56AX557	O-RING			
39	MAK55KC420	CYLINDER, Range			
40	MAK56AX595	O-RING, Shift, Piston			
41	MAK37AX7U	WASHER			
42	MAK56AX559	O-RING, Shift, Piston			
43	MAK591KC2370	ASSEMBLY, Rail w/ Piston			
43	MAK591KC3194P2	RAIL, Range (w/ 6.25in Shaft)			
44	MAK56AX561	O-RING, Shift,Piston			
45	MAK56AX558	O-RING, Housing Cover			
46	MAK414KB3113	COVER, Hi/Lo Shift			
47	MAK36AX3	WASHER, Lock(3/8in)			
48	MAK56AX436	O-RING, Lo/Direct Range Shift			
49	MAK629KB335A	GASKET, Shift Cover, Compound			
50	MAK49AX262	PLUG			
51	MAK521KC216	ROCKER			
52	MAK336KC333	RAIL			
53	MAK502KB113	DOWEL			



MACK TRANSMISSIONS – SPEEDOMETER ADAPTERS

KEY	OEM REF.	DESCRIPTION	KEY	OEM REF.	DESCRIPTION
1	MAK119AX4802	ADAPTER	5	MAK119AX5310	ADAPTER
1	MAK119AX4801	ADAPTER	5	MAK119AX5322	ADAPTER
1	MAK119AX3702	ADAPTER	5	MAK119AX5289	ADAPTER
1	MAK119AX3704	ADAPTER	6	MAK119AX5247	ADAPTER
1	MAK119AX3705	ADAPTER	6	MAK119AX5200	ADAPTER
1	MAK119AX3706	ADAPTER	6	MAK119AX5227	ADAPTER
1	MAK119AX3707	ADAPTER			
1	MAK119AX3710	ADAPTER			
1	MAK119AX3724	ADAPTER			
2	MAK119AX5800	ADAPTER			
2	MAK119AX6804	ADAPTER			
3	MAK119AX6200	ADAPTER			
3	MAK119AX6201	ADAPTER			
4	MAK119AX3700	ADAPTER			
4	MAK119AX3709	ADAPTER			
4	MAK119AX3714	ADAPTER			
4	MAK119AX3723	ADAPTER			
4	MAK119AX3725	ADAPTER			
4	MAK119AX3726	ADAPTER			
4	MAK119AX3738	ADAPTER			
4	MAK119AX4817	ADAPTER			
5	MAK119AX5304	ADAPTER			
5	MAK119AX5309	ADAPTER			
5	MAK119AX5314	ADAPTER			
5	MAK119AX5300	ADAPTER			
5	MAK119AX5302	ADAPTER			
5	MAK119AX5308	ADAPTER			



MACK TRANSMISSIONS – MISCELLANEOUS COMPONENTS

KEY	OEM REFERENCE	DESCRIPTION	KEY	OEM REFERENCE	DESCRIPTION
1	MAK25MY23P1	KNOB (1/2in Thd.) (Silver)	7	MAK119AX3201	ADAPTER
1	MAK25MY23P1	KNOB (1/2in Thd.) (Blue)	8	MAK32GB174	BRACKET, Filter, Transmission
1	MAK25MY23P1	KNOB (1/2in Thd.) (Red)	9	MAK2MD3131	FILTER, Transmission
1	MAK25MY19P3	KNOB (7/16in Thd.) (Silver) (B)	10	MAK291KD226	GEAR, Speedo Drive
1	MAK25MY19P3	KNOB (7/16in Thd.) (Blue) (M)	11	MAK736KB222	GEAR, Rear Mounted PTO, Sliding (TRL 107)
1	MAK25MY19P3	KNOB (7/16in Thd.) (Silver)	12	MAK8235-2297T4180	TUBE, Adhesive
1	MAK25MY19P3	KNOB (7/16in Thd.) (Blue)	13	MAK3088-71206	LUBRICANT
2	MAK291KD225	GEAR, Speedo Drive	14	MAK88AX401P2	SEAL, PTO, Input Shaft
2	MAK291KD194P2	GEAR, Speedo Drive	14	MAK88AX410P3	SEAL, PTO, Output Shaft
3	MAK773KB152P2	GEAR, Speedo Driven (13 Teeth) (.104in Sq. Drive)	15	MAK269KB21	BOOT, Shift Lever
3	MAK773KB155P2	GEAR, Speedo Driven (14 Teeth) (.150in Sq. Drive) Interchangeable with GGS-6525	16	MAK312GB3109	COOLER, Transmission
3	MAK773KB153P3	GEAR, Speedo Driven (15 Teeth) (.150in Sq. Drive)	17	MAK312GB3105	COOLER, Transmission
3	MAK773KB154P2	GEAR, Speedo Driven(14 Teeth) (.104in Sq. Drive)	18	MAK25162256	HOUSING, Shift Lever (T309L, T310)
3	MAK773KB222P10	GEAR, Speedo Driven (13 Teeth) (.150in Sq. Drive)			
3	MAK773KB222P11	GEAR, Speedo Driven (14 Teeth) (.150in Sq. Drive) Interchangeable with GGS-6521			
3	MAK773KB222P12	GEAR, Speedo Driven (15 Teeth) (.150in Sq. Drive)			
4	MAK64MT2112M	SENSOR, Oil Temperature, Transmission			
5	MAK98AX3034	DRIVE Shaft, Speedo Adapter (.150 Sq. x 3/16 Tang.)			
6	MAK98AX3039	DRIVE Shaft, Speedo Adapter (.150 Sq. x 150 Tang.)			

**MACK TRANSMISSIONS – SHIFTER LEVER COMPONENTS
 – SHIFTER BOOTS**



KEY	OEM REF. MAK27MY236	DESCRIPTION Boot Retainer Used w/ FBT-1506 & FBT-1507 Boots
------------	-------------------------------	---



KEY	OEM REF. MAK8MY46M	DESCRIPTION Shifter Boot (9-1/2in x 10-1/4in Base)
------------	------------------------------	---



KEY	OEM REF. MAK8MY352	DESCRIPTION Shifter Boot (4in x 7-1/4in Base)
------------	------------------------------	--



KEY	OEM REF. KENK04245	DESCRIPTION Shifter Boot (8-1/2in Diameter)
------------	------------------------------	--



KEY	OEM REF. MAK8MY38 MAK27MY29303	DESCRIPTION Shifter Boot (5in x 7-1/2in Base) Shifter Boot (5in x 7-1/2in Base) (w/ Air Line Opening)
------------	---	---



KEY	OEM REF. KENK04279	DESCRIPTION Shifter Boot (7-3/4in x 7-3/4in Base)
------------	------------------------------	--

Continued

**MACK TRANSMISSIONS – SHIFTER LEVER COMPONENTS
 – SHIFTER BOOTS**

Continued



KEY	OEM REF.	DESCRIPTION
	KENK042702	Shifter Boot (7in Diameter)



KEY	OEM REF.	DESCRIPTION
	FTL68D885	Shifter Boot (9in Diameter)



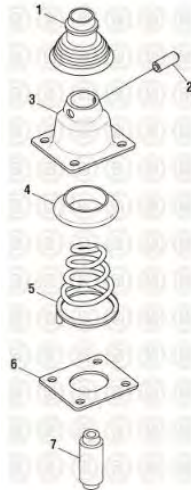
KEY	OEM REF.	DESCRIPTION
	NAV286655C4	Shifter Boot (6-1/2in x 8-3/4in Base)



KEY	OEM REF.	DESCRIPTION
	MAK8MY3116AM	Inner Shifter Boot
	MAK8MY419M	Gear Shift Lever Boot
	MAK8MY426M7	Gear Shift Lever Boot Assembly Includes Boots (1)803405 (1)803406



KEY	OEM REF.	DESCRIPTION
	NAV291068C2	Shifter Boot (7-3/4in x 10-1/2in Base)



**MACK TRANSMISSIONS – SHIFTER LEVER COMPONENTS
 – SHIFTER LEVER**

KEY	OEM REFERENCE	DESCRIPTION
1	MAK269KB14	BOOT, Shift
2	MAK305KC13	PIN, Shift Lever
3	MAK25162256	HOUSING, Shifter
4	MAK237KD12	WASHER, Spring
5	MAK116KD11	SPRING, Lever
6	MAK629KB250	GASKET, Shift Housing
7	MAK25164706	BUSHING, Isolator



**MACK TRANSMISSIONS – SELECTOR VALVES – T2070/
 T2080**

KEY	OEM REF.	DESCRIPTION
1	MAK20QE3333A	4 Ports 3/16in Tube (Includes Medallion)
2	MAK22MY31	MEDALLION



**MACK TRANSMISSIONS – SELECTOR VALVES – T2090/
 T2100**

KEY	OEM REF.	DESCRIPTION
1	MAK20QE3334A	3 Ports 3/16in Tube (Includes Medallion)
2	MAK22MY31	MEDALLION
3	MAK17QE344M	TUBING Assembly



MACK TRANSMISSIONS – SELECTOR VALVES – T2130

KEY	OEM REFERENCE	DESCRIPTION
1	MAK20QE3335A	4 Ports 3/16in Tube (Includes Medallion)
2	MAK22MY31	MEDALLION



**MACK TRANSMISSIONS – SELECTOR VALVES – T2180/
 T310M**

KEY	OEM REF.	DESCRIPTION
1	MAK20QE3336A	4 Ports 3/16in Tube (Includes Medallion)
2	MAK22MY31	MEDALLION
	MAK20QE4183M	VALVE, Selector 4 Ports 3/16in Tube

**MACK TRANSMISSIONS – SELECTOR VALVES
 – MISCELANEOUS VALVES**



KEY	OEM REF.	DESCRIPTION
	MAK20QE398	VALVE, Selector All Ports 1/16in P.T.

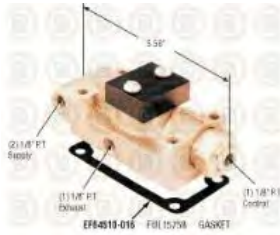


KEY	OEM REF.	DESCRIPTION
	MAK14RC1131	KIT, Valve, Major Includes Selector Cylinder
	MAK14RC1130	KIT, Valve, Minor



KEY	OEM REF.	DESCRIPTION
	MAK63AX3338	FITTING (1/16in Male x 1/4in Tube) (Use w/ LSV-3692)

MACK TRANSMISSIONS – SELECTOR VALVES – SLAVE VALVES - MACK TRANSMISSION



KEY	OEM REF.	DESCRIPTION
	MAK216KD41	VALVE, Slave Supply Ports (2) 1/8in P.T. Delivery Port (1) 1/8in P.T. Control Port (1) 1/8in P.T.

NO IMAGE AVAILABLE

KEY	OEM REF.	DESCRIPTION
	MAK28KB122	KIT, Slave Valve



KEY	OEM REF.	DESCRIPTION
	MAK216KD42B	VALVE, Slave (8/9/10/13/18 Speed) (All Ports 1/8in P.T.)

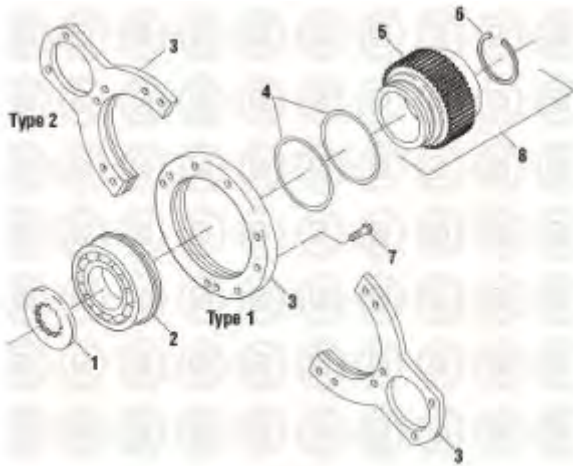
NO IMAGE AVAILABLE

KEY	OEM REF.	DESCRIPTION
	MAK28KB240	KIT, Slave Valve



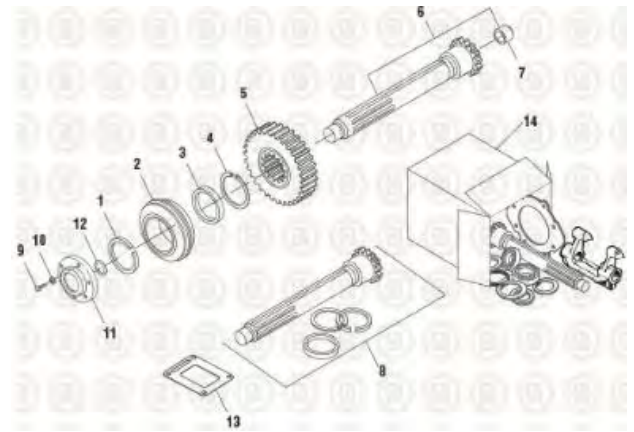
MACK TRANSMISSIONS – SELECTOR VALVES – SLAVE VALVES - ROCKWELL TRANSMISSION

KEY	OEM REF.	DESCRIPTION
	MAK8235-KIT5385	All Ports 1/8in P.T. (9/10/13 Speed) (Incl: Pictured Components) (Valve O.E. Number A-3280-Y-8761)



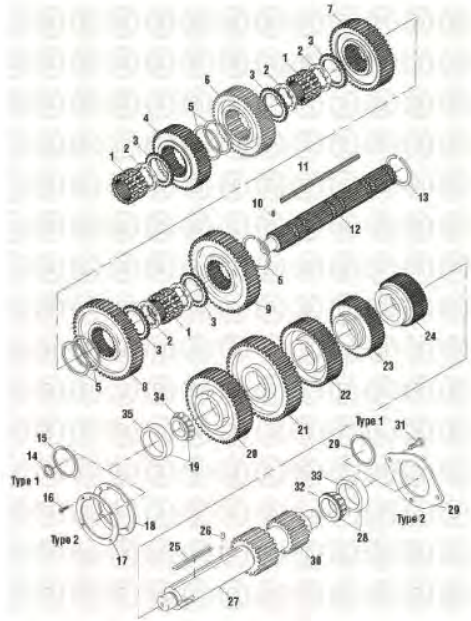
**ROCKWELL TRANSMISSION – 9, 10, 13 SPEED
– AUXILIARY DRIVE GEAR ASSEMBLY**

KEY	OEM REF.	DESCRIPTION
1	ROK42X-1250	WASHER, Thrust
2	ROKA-1228-H-1204	BEARING
3	ROK3105-Z-1092	RETAINER (Type 1)
3	ROK3105-Y-1195	RETAINER (Type 2)
4	ROK5X-1069	O-RING
5	ROK3892-L-5316	GEAR, Auxiliary Main Drive (38 teeth)
5	ROK3892-G-5519	GEAR, Auxiliary Main Drive (38 teeth)
5	ROK3892-F-5518	GEAR, Auxiliary Main Drive (42 teeth)
6	ROK1229-W-4339	RING, Snap
7	ROKS-268-1	SCREW
8	ROKKIT5397	KIT, Auxiliary Main Drive (38 teeth) (9 & 10 speed A Ratio) Includes Gear (1)940036 Ring (1)EF27470
8	ROKKIT5447	KIT, Auxiliary Gear Main Drive(42 teeth) (10 speed, C Ratio) Includes Gear (1)940039 Ring (1)EF27470
8	ROKKIT5448	KIT, Auxiliary Gear Main Drive(38 teeth) Includes Gear (1)940037 Ring (1)EF27470



**ROCKWELL TRANSMISSION – 9, 10, 13 SPEED – INPUT
SHAFT ASSEMBLY**

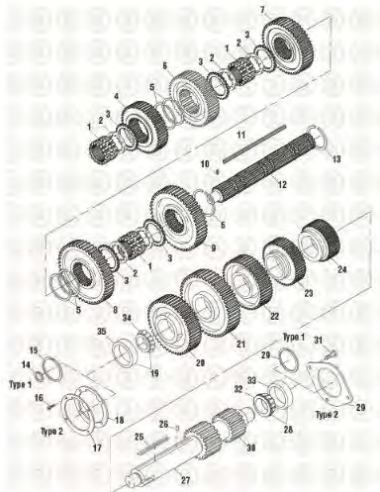
KEY	OEM REF.	DESCRIPTION
1	FUL16980	RING
2	MAK3088-81504	BEARING
3	ROK1244-J-2194	SPACER (Use w/ ROC A-3297-B-1380 Shaft)
4	ROK1229-C-4657	RING,Retaining
5	ROK3892-N-5474	GEAR, Main Drive (52T) (10-A O/D Speed 125, 145, 155, 165)
5	ROK3892-M-5473	GEAR, Main Drive (54T) (10-C O/D Speed)
5	ROK3892-W-5015	GEAR, Main Drive (50T) (10 Speed DIR 115, 125, 135, 145, 13 Speed O/D)
5	ROK3892-V-5144	GEAR, Main Drive (54T) (9-B Speed)
5	ROK3892-F-5232	GEAR, Main Drive (60T) (9-A & R O/D 115, 135, 10-A O/D Speed)
6	ROKA-3297-B-1380	PINION, Input (2in Pull Type) Includes Bushing (1)
7	ROK1225-A-1171	BUSHING
8	ROKKIT5367	KIT, Input Pinion (Kit replaces Shaft A-3297-Y-1351) Includes Pinion (1)940010 Rings (1)EF27470 (1)940064 Spacer (1)940041
9	ROKS-2610-A-2	SCREW
10	ROK1229-B-1666	WASHER
11	ROK3105-K-1155	RETAINER, Front Bearing
12	ROK1205-T-2308	SEAL, Oil
13	ROK3208-N-1080	GASKET, Shift Cover
14	N/A	KIT,Input Shaft and Cover Includes Pinion kit (1)940001 Rings (1)940060 Bearings (1)EF60870 (1)EBG-8639 Retainer (1)940027 Brake (1)EM96900 Bushing (4)EF61030 Yoke (1)GCY-6113 Gasket (1)940261 Sealant (1)BSR-0385



ROCKWELL TRANSMISSION – 9, 10, 13 SPEED – MAIN CASE COUNTERSHAFT

KEY	OEM REF.	DESCRIPTION	KEY	OEM REF.	DESCRIPTION
1	ROK3107-G-1073	CLUTCH, Sliding	15	ROKKIT5325	KIT, Snap Ring
2	ROK42X-1256	WASHER, Thrust (5.50mm)	16	ROK10X-1537	SCREW
2	ROK42X-1255	WASHER, Thrust (5.60mm) Required in Reverse Gear	17	ROK3105-E-1175	RETAINER
2	ROK42X-1257	WASHER, Thrust (5.70mm)	18	ROKKIT5364	KIT, Shim
2	ROK42X1457	WASHER, Thrust (6.92mm) Required in Reverse Gear	19	ROKA-1228-T-1346	SET, Bearing (Type 2) Contains extra cup w/ oversize OD Includes (1)806920-TIM (1)806923-TIM (1)806990-TIM
2	ROK42X1458	WASHER, Thrust (7.02mm) Required in Reverse Gear	19	ROKA-1228-W-1349	SET, Bearing (Type 1) Includes (1)806993-TIM (1)806925-TIM
2	ROK42X1459	WASHER, Thrust (7.11mm)	20	ROK3892-S-5479	GEAR, Countershaft, Drive (59T) (10 speed 'C' Ratio)
3	ROK1244-M-2041	SPACER	20	ROK3892-H-5156	GEAR, Countershaft, OD (66T)
4	ROK3892-F-5232	GEAR, Main Shaft 3rd (60T) (115, 125, 135, 145, 155)	20	ROK3892-Q-5035	GEAR, Countershaft, Drive (64T)
5	ROK1229-W-4625	RING, Snap (For S/N LB93021754 & above)	21	ROK3892-U-5013	GEAR, Countershaft, PTO (45T)
5	ROK1229-X-4418	RING, Snap (For S/N LB93021753 & below)	22	ROK3892-V-5482	GEAR, Countershaft, OD (73T) (10 speed 'C' Ratio)
6	ROK3892-M-5395	GEAR, Main Shaft 2nd (64T)	22	ROK3892-Y-5017	GEAR, Countershaft 3rd (59T)
6	ROK3892-G-5025	GEAR, Main Shaft 2nd (60T)	23	ROK3892-S-5011	GEAR, Countershaft 2nd (43T)
7	ROK3892-E-5023	GEAR, Main Shaft 1st (64T)	24	ROK3892-K-5159	GEAR, Countershaft (59T)
8	ROK3892-C-5021	GEAR, Main Shaft,PTO	24	ROK3892-A-5019	GEAR, Countershaft 1st (33T)
9	ROK3892-L-5030	GEAR, Main Shaft	25	ROK16X-1027	KEY, Countershaft (Type 1)
10	ROK43X-1158	PIN	25	ROK16X-1031	KEY, Countershaft (Type 2)
11	ROK16X-1028	KEY	26	ROK43X-1158	PIN (Type 1 only)
12	ROK3297-X-1116	MAINSHAFT For S/N LB93021753 & Below	27	ROK3297-X-1090	COUNTERSHAFT (Requires Pin 43X-1158)
12	ROK3297-J-1336	MAINSHAFT For S/N LB93021754 & Above	27	ROK3297-K-1259	COUNTERSHAFT (Type 2)
13	FUL16980	RING			
14	ROK1229-C-1121	RING, Snap (Type 1)			

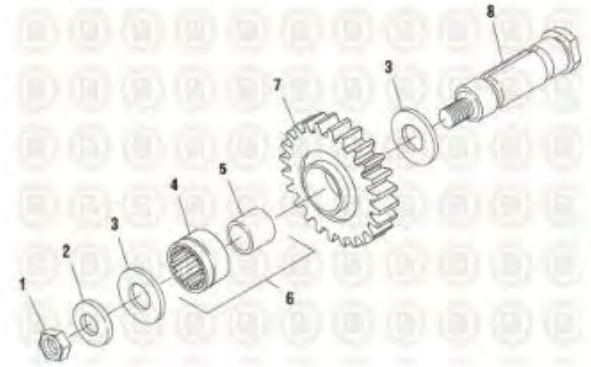
Continued



ROCKWELL TRANSMISSION – 9, 10, 13 SPEED – MAIN CASE COUNTERSHAFT

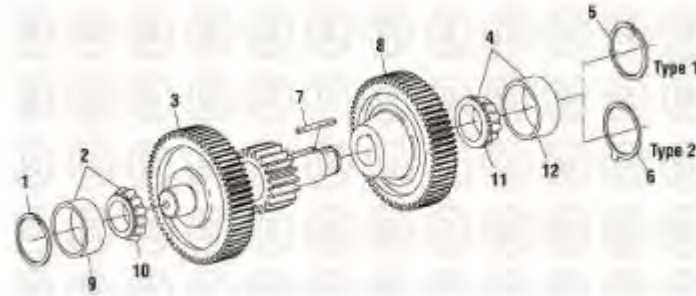
Continued

KEY	OEM REF.	DESCRIPTION
28	ROKA-1228-S-1345	SET, Bearing Contains extra cup w/ oversize OD Includes (1)806991-TIM (1)806922-TIM (1)806921-TIM
28	ROKA-1228-V-1348	SET, Bearing (Type 1) Includes (1)806924-TIM (1)806992-TIM
29	ROK1229-E-4243	RING, Snap (Type 1)
29	ROK1229-B-4656	RING, Retaining
30	ROK3892-G-5831	GEAR, Maindrive (10 speed 'C' Ratio)
31	ROKS-268-1	SCREW
31	ROKS-268-2	BOLT
32	TIMNP418109	CONE (Type 2)
32	TIM368A	CONE (Type 1)
33	ROK1228-E-1357K	CUP (Type 2) Oversize OD
33	TIMNP525386	CUP (Type 2) Standard OD
33	ROK1228-K-1363K	CUP (Type 1)
34	TIMNP449281	CONE (Type 2)
34	TIM386A	CONE (Type 1)
35	TIMXC11087DN	CUP (Type 2) Oversize OD
35	TIMNP357215	CUP (Type 2) Standard OD
35	ROK1228-J-1362K	CUP (Type 1)



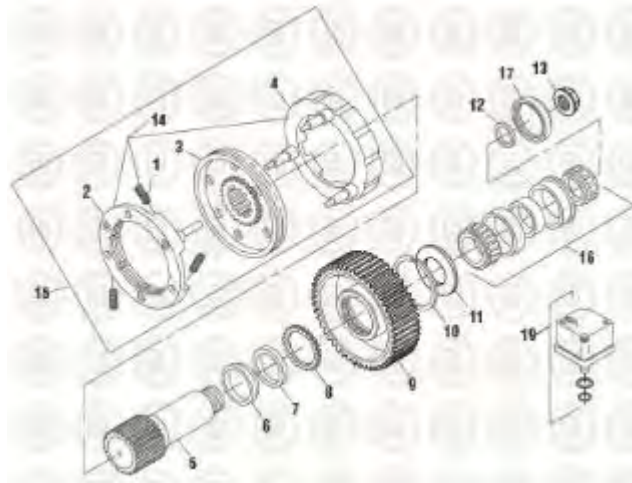
ROCKWELL TRANSMISSION – 9, 10, 13 SPEED – REVERSE IDLER ASSEMBLY

KEY	OEM REF.	DESCRIPTION
1	ROKNL-110-1	NUT, Lock
2	ROK1229-N-1626	WASHER
3	ROK42X-1258	WASHER, Thrust
4	ROK1228-E-1175	BEARING
5	ROK2297-S-5765	RACE, Bearing
6	ROKA-1228-E-1175	BEARING, Assembly Includes Bearings (1)940351 (1)940352
7	ROK3892-N-5032	GEAR, Reverse Idler (28 Tooth)
8	ROK3198-D-1070	SHAFT, Reverse Idler



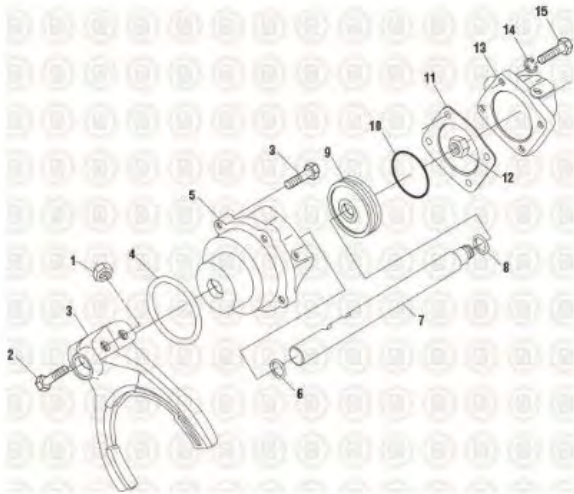
**ROCKWELL TRANSMISSION – 9, 10, 13 SPEED
– AUXILIARY COUNTERSHAFT ASSEMBLY**

KEY	OEM REF.	DESCRIPTION	KEY	OEM REF.	DESCRIPTION
1	ROK1229-C-4657	RING, Retaining (9 & 13 Speed)	4	ROKA-1228-U-1347	SET, Bearing (9 & 13 Speed-Type 2) Includes Bearings (1)806926 (1)HBG-6029 (1)GCU-6034
2	ROKA-1228-X-1350	SET, Bearing (9 Speed-Type 1) Includes Bearings (1)806931 (1)806927	6	ROK1229-N-4538	WASHER (6.431mm)
2	ROKA-1228-U-1373	SET, Bearing (13 Speed) Includes Bearings (1)806935 (1)806997	6	ROK1229-X-4548	WASHER (7.620mm)
2	ROKA-1228-S-1345	SET, Bearing (9 & 10 Speed - Type 2) Contains extra cup w/ oversize OD Includes (1)806991-TIM (1)806922-TIM (1)806921-TIM	6	ROK1229-Y-4549	WASHER (7.752mm)
3	ROK3297-G-1255	COUNTERSHAFT, Auxiliary (9 Speed-Type 1-135, 145)	6	ROK1229-P-4540	WASHER (6.563mm)
3	ROK3297-D-1252	COUNTERSHAFT, Auxiliary (9 Speed-Type, 1-115, 125)	6	ROK1229-Q-4541	WASHER (6.696mm)
3	ROK3297-W-1271	COUNTERSHAFT, Auxiliary (9 Speed-Type 2-135, 145, 155)	6	ROK1229-R-4542	WASHER (6.828mm)
3	ROK3297-Q-1265	COUNTERSHAFT, Auxiliary (9 Speed-Type 2-115, 125)	6	ROK1229-S-4543	WASHER (6.690mm)
3	ROK3287-E-1253	COUNTERSHAFT, Auxiliary (13 Speed-Type 1)	6	ROK1229-T-4544	WASHER (7.092mm)
3	ROK3297-Y-1273	COUNTERSHAFT, Auxiliary (13 Speed-Type 2)	6	ROK1229-U-4545	WASHER (7.224mm)
3	ROK3297-T-1320	COUNTERSHAFT, Auxiliary (10 Speed-115, 125 A Ratio)	6	ROK1229-V-4546	WASHER (7.356mm)
3	ROK3297-J-1284	COUNTERSHAFT, Auxiliary (10 Speed-135, 145 Ratio A)	6	ROK1229-W-4547	WASHER (7.488mm)
3	ROK3297-L-1390	COUNTERSHAFT, Auxiliary (10 Speed-Ratio C)	7	ROK16X-1009	KEY (13 Speed)
4	ROKA-1228-Y-1351	SET, Bearing (9 & 13 Speed-Type 1) Includes Bearings (1)80692 (1) GBG-6033	8	ROK3892-L-5082	GEAR, Countershaft (13 Speed, 53T)
			9	ROK1228-H-1360K	CUP
			9	NTNXC1784DD	CUP
			10	NTN27881	CONE
			10	NTN26878K	CONE
			11	MAK62AX292	CONE
			12	ROK1228-G-1359K	CUP



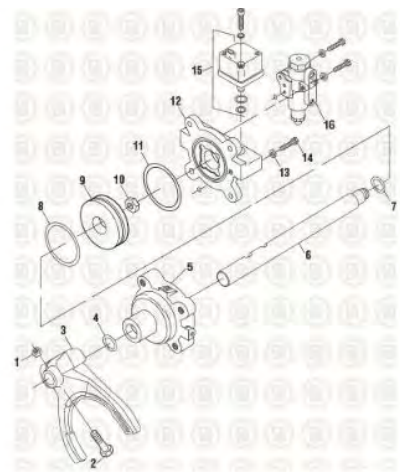
**ROCKWELL TRANSMISSION – 9, 10, 13 SPEED
 – SYNCHRONIZER AND OUTPUT SHAFT ASSEMBLY**

KEY	OEM REF.	DESCRIPTION	KEY	OEM REF.	DESCRIPTION
1	ROK2258-Z-1144	SPRING	13	FUL22254	NUT, Yoke (Flanged) ROK 1227-W-1375
2	ROKA-3203-Z-1014	ASSEMBLY, Synchro (High)	14	ROKKIT5270	SYNCHRONIZER Includes Synchronizers (1)940185 (1)940186 Springs (3)940161
3	ROK3107-S-1111	CLUTCH, Sliding	15	ROKKIT5289	SYNCHRONIZER Assembly
4	ROKA-3203-R-1006	ASSEMBLY, Synchro (Low)	16	ROKA-1228-M-1209	KIT, Bearing (9 & 10 Speed-135, 145)
5	ROK3297-V-1322	SHAFT, Output (Type 2 135, 145, 155)	16	ROKA-1228-G-1307	KIT, Bearing (9 Speed-115, 125)
5	ROK3298-P-1056	SHAFT, Output (Type 1 115, 125)	16	ROKA-1228-K-1207	KIT, Bearing (9 Speed-115, 125)
5	ROK3297-J-1076	SHAFT, Output (Type 1 135, 145)	16	ROKA-1228-H-1308	KIT, Bearing (9, 10 & 13 Speed-135, 145, 155)
5	ROK3297-Y-1247	SHAFT, Output (Type 2 115, 125)	17	RO- KA1-1205-W-2467	SEAL, Oil
5	ROK3297-C-1251	SHAFT, Output (Type 2 135, 145) (Replaced by ROK 3297-V-1322)	18	ROK1229-V-4234	RING, Retaining (13 Speed Output Shaft) (not illustrated)
6	ROK1244-R-2046	SPACER (Type 1)	19	ROKA-3280-F-9392	VALVE, Solenoid (9 & 10 Speed)
6	ROK1244-W-2103	SPACER (Type 2)			
7	ROK1244-N-2094	SPACER (Type 1 135, 145 only)			
7	ROK1244-X-2104	SPACER (Type 2)			
8	ROK1244-F-1852	SPACER			
9	ROK3892-E-5517	GEAR, Auxiliary ,Low(58T) (G Series 10 Speed A & C)			
9	ROK3892-Q-5009	GEAR, Auxiliary ,Low (40T) (Type 1 115, 125)			
9	ROK3892-E-5075	GEAR, Auxiliary ,Low (40T) (Type 2 135, 145)			
9	ROK3892-G-5311	GEAR,Auxiliary,Low (40T)(Type 2 115, 125)			
9	ROK3892-E-5309	GEAR, Auxiliary, Low (40T) (Type 2 135, 145, 155)			
10	ROK1229-Y-4211	RING, Retaining			
11	ROK42X-1221	WASHER, Thrust			
12	ROK1244-Z-1820	WASHER (For 135, 145, 155 only)			



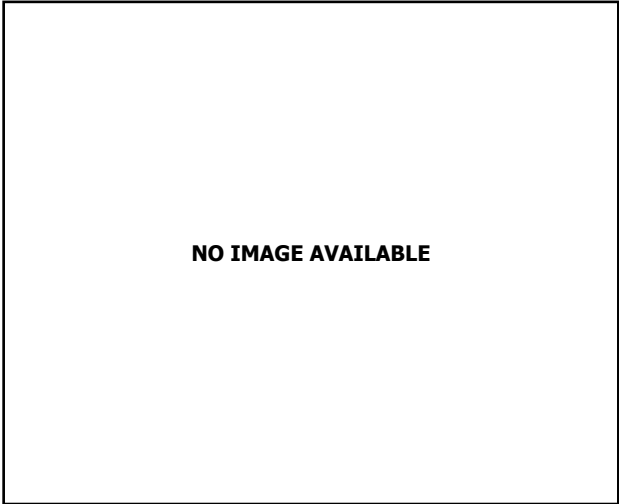
ROCKWELL TRANSMISSION – 9, 10, 13 SPEED – PISTON HOUSING ASSEMBLY - MANUAL (9 AND 10 SPEED)

KEY	OEM REF.	DESCRIPTION
1	ROKNL-25-1	Nut, Locking
2	ROK10X1534	CAPSCREW
3	ROK3296-Q-1161	FORK, Shift
4	ROK2297-A-7021	SEAL (Manual)
5	ROK3280-M-9217	HOUSING, Piston
6	ROK5X-1065	O-RING
7	ROK2244-E-1123	RAIL, Shift (9-7/8in)
8	ROK5X-1083	O-RING
9	ROKA-2230-X-1194	PISTON
10	ROK5X-1066	O-RING
11	ROK2208-K-1051	GASKET
12	ROKNL-17-1	NUT
13	ROK3266-N-1314	COVER
14	ROK1229-B-1666	WASHER ,Flat
15	ROKS-2624-A-2	SCREW



ROCKWELL TRANSMISSION - 9, 10, 13 SPEED – PISTON HOUSING ASSEMBLY – AIR FILTER REGULATOR (9 AND 10 SPEED)

KEY	OEM REF.	DESCRIPTION
1	ROKNL-25-1	Nut, Locking
2	ROK10X1534	CAPSCREW
3	ROK3296-Q-1161	FORK, Shift
4	ROK5X-1065	O-RING
5	ROK3280-D-9390	HOUSING, Piston
6	ROK2244-A-1145	RAIL, Shift (115,125)
6	ROK2244-B-1146	6 RAIL, Shift (135, 145, 155)
7	ROK5X-1083	O-RING
8	ROK5X-1066	O-RING
9	ROKA-2230-X-1194	PISTON
10	ROKNL-17-1	NUT
11	ROK5X-1217	O-RING
12	ROK3266-R-1370	COVER, Piston Housing
13	ROK1229-B-1666	WASHER, Flat
14	ROKS-2624-A-2	BOLT (3/8in-16)
15	ROKA-3280-F-9392	VALVE, Solenoid (9 & 10 Speed)
16	ROKA-3280-G-9393	ASSEMBLY, Filter/Regulator (9 & 10 Speed)

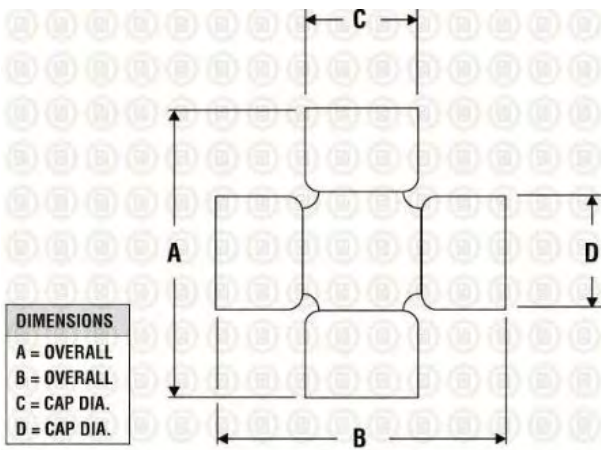


**ROCKWELL TRANSMISSION – 9, 10, 13 SPEED
– SELECTOR VALVE**

KEY	OEM REFERENCE	DESCRIPTION
	ROKA-3280-C-9467	9 - 13 Speed Transmission

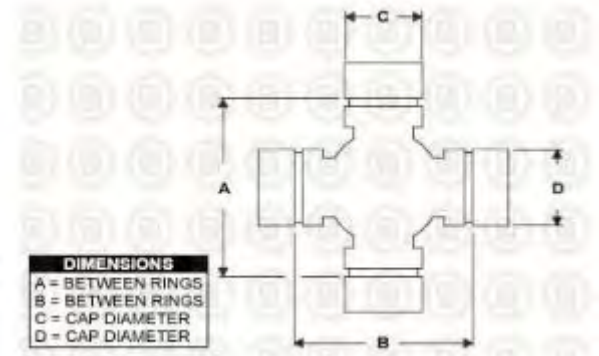
VOLVO TRANSMISSION – I SHIFT

KEY	OEM REFERENCE	DESCRIPTION
1	MAK20906486	GEAR, Mainshaft (1st & 6th) (46T)
2	MAK20532220	HUB, Synchronizer (2nd)
3	MAK20771311	ASSEMBLY, Gear
4	MAK1521596	BEARING, Cone
5	MAK1521658	SPACER



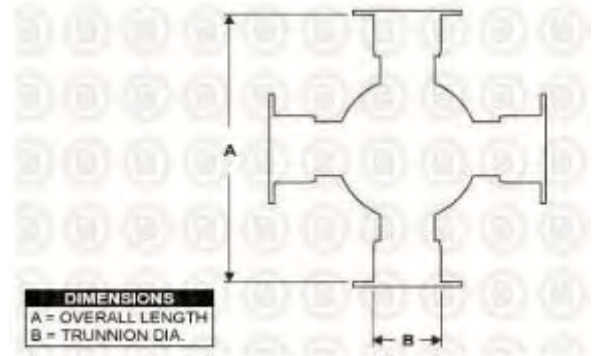
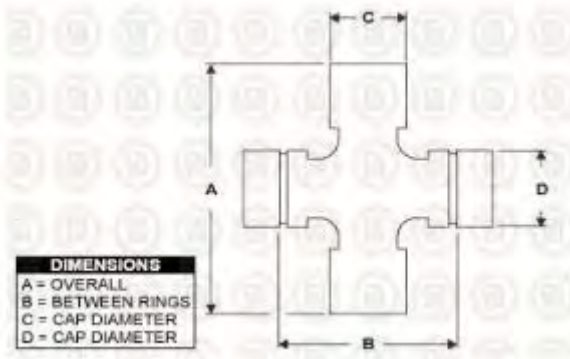
**DRIVESHAFT COMPONENTS – UNIVERSAL JOINTS –
 OUTSIDE SNAP RING STYLE**

KEY	OEM REF.	DESCRIPTION
	MAK2104-5111X	JOINT
	MAK2104-5443X	JOINT
	MAK2104-5243X	JOINT
	MAK2104-5153X	JOINT
	MAK2104-5134X	JOINT
	MAK2104-5213X	JOINT
	MAK2104-51204X	JOINT
	MAK2104-5178X	JOINT
	MAK2104-5160X	JOINT
	MAK2104-5188X	JOINT
	MAK2104-5155X	JOINT
	MAK2104-SPL90X	JOINT
	MAK2104-5165X	JOINT
	MAK2104-5185X	JOINT



**DRIVESHAFT COMPONENTS – UNIVERSAL JOINTS –
 INSIDE SNAP RING STYLE**

KEY	OEM REF.	DESCRIPTION
	MAK2104-592X	JOINT
	MAK2104-5103X	JOINT
	MAK2104-5242X	JOINT
	MAK2104-51306X	JOINT
	MAK2104-5260X	JOINT
	MAK2104-5297X	JOINT
	MAK2104-51200X	JOINT
	MAK2104-53147X	JOINT
	MAK2104-51309X	JOINT

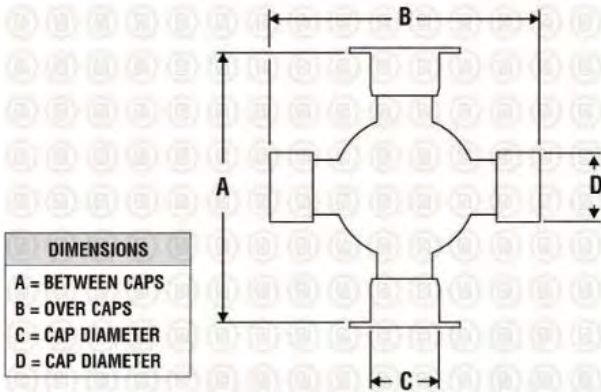


**DRIVESHAFT COMPONENTS – UNIVERSAL JOINTS
 – OUTSIDE SNAP RING/INSIDE SNAP RING**

KEY	OEM REF.	DESCRIPTION
	MAK2104-5353X	JOINT

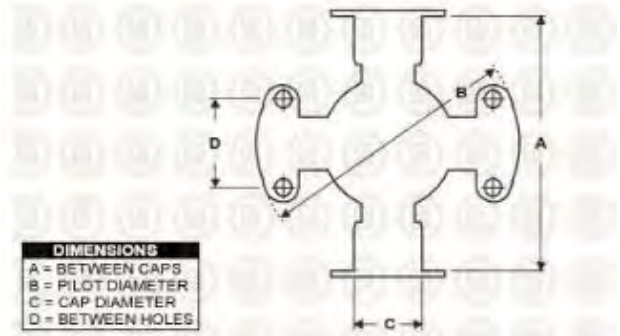
**DRIVESHAFT COMPONENTS – UNIVERSAL JOINTS
 – BEARING PLATE STYLE**

KEY	OEM REF.	DESCRIPTION
	MAK2104-5115X	JOINT
	MAK2104-5279X	JOINT
	MAK2104-5280X	JOINT
	MAK2104-5124X	JOINT
	MAK2104-5407X	JOINT
	MAK2104-5281X	JOINT



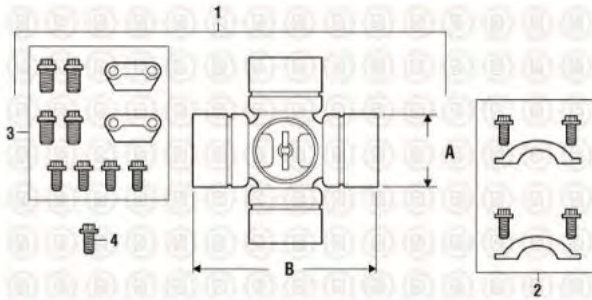
DRIVESHAFT COMPONENTS – UNIVERSAL JOINTS – HALF ROUND STYLE

KEY	OEM REF.	DESCRIPTION
	MAK2104-5438X	JOINT
	MAK2104-5674X	JOINT
	MAK2104-5515X	JOINT
	MAK2104-5675X	JOINT
	MAK2104-5469X	JOINT
	MAK2104-5677X	JOINT
	MAK2104-5510X	JOINT
	MAK2104-5676X	JOINT



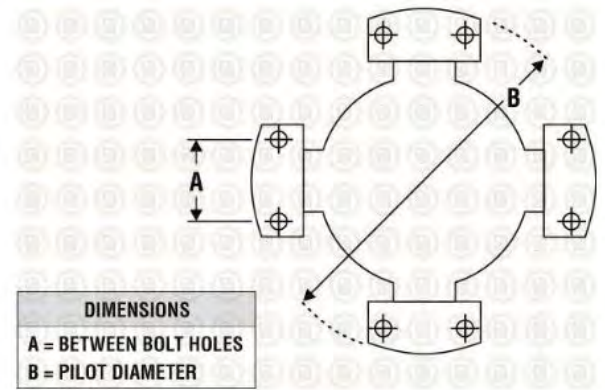
DRIVESHAFT COMPONENTS – UNIVERSAL JOINTS – BEARING PLATE, WING BEARING STYLE

KEY	OEM REF.	DESCRIPTION
	MAK2104-5324X	JOINT
	MAK2104-5326X	JOINT



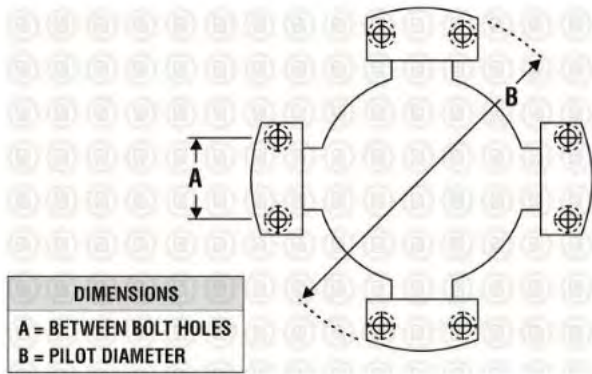
**DRIVESHAFT COMPONENTS – UNIVERSAL JOINTS
 – SPRING TAB STYLE**

KEY	OEM REF.	DESCRIPTION
1	DANSPL170X	U-JOINT
1	DANSPL250X	U-JOINT
2	DAN170-70-18X	KIT
2	DAN250-70-18X	KIT
3	DAN211941X	KIT, SPR.TAB
4	DAN12-73-125M	SCREW, 12PT



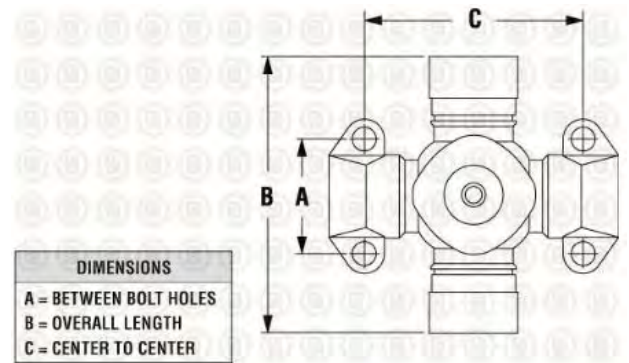
**DRIVESHAFT COMPONENTS – UNIVERSAL JOINTS
 – WING BEARING STYLE DRILLED HOLES**

KEY	OEM REF.	DESCRIPTION
	MAK2104-56106X	JOINT
	MAK2104-57105X	JOINT
	MAK2104-59016X	JOINT



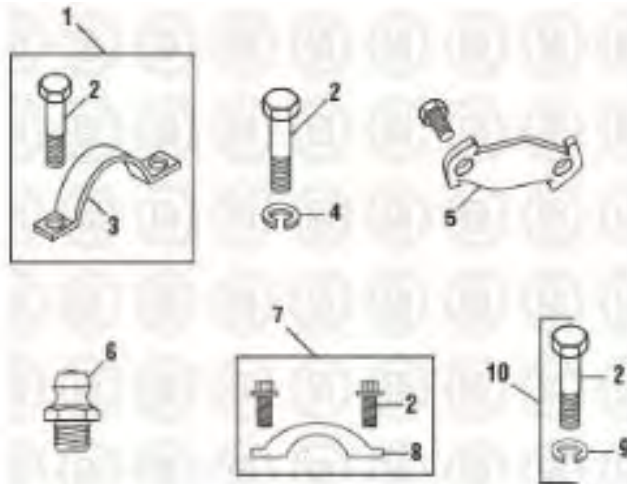
**DRIVESHAFT COMPONENTS – UNIVERSAL JOINTS
 – WING BEARING STYLE TAPPED HOLES**

KEY	OEM REF.	DESCRIPTION
	MAK2104-58200X	JOINT



**DRIVESHAFT COMPONENTS – UNIVERSAL JOINTS – RPL
 TYPE**

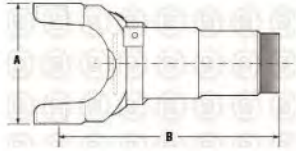
KEY	OEM REF.	DESCRIPTION
	ROKCP20RPLS	JOINT
	ROKCP25RPLS	JOINT



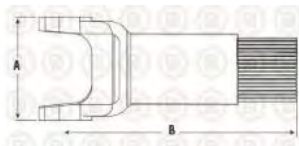
**DRIVESHAFT COMPONENTS – UNIVERSAL JOINTS
 HARDWARE**

KEY	OEM REF.	DESCRIPTION	KEY	OEM REF.	DESCRIPTION
1	MAK2104-37038X	KIT, Strap 1480/1550 Series	5	MAK48RU1903	LOCKSTRAP (Used on U-Joints JUJ-6910 & JUJ-6930)
1	MAK2104-57028X	KIT, Strap (1610 Series) (Use w/ U-Joint JUJ-6882)	6	MAK44AX114	FITTING, Grease (1/4in x 28 Thd.)
1	MAK2104-657018X	KIT, Strap 1710/1760/1810 Series (Use w/ U-Joints JUJ-6912,6916,6937)	7	DAN170-70-18X	KIT, Retainer (Use w/ U-Joint SPL 170)
2	MAK2104-573109	SCREW (5/16in-24 x 9/16in)	7	DAN250-70-18X	KIT, Retainer (Use w/ U-Joint SPL 250)
2	MAK2104-673210	SCREW (3/8in-24 x 9/16in)	8	DAN170-70-19	STRAP (Used in Kit JKT-6927)
2	MAK1AX74	SCREW (1/2in-20 x 2-1/2in)	9	MAK2104-657089	RING, Retaining
2	MAK2104-873340	SCREW (1/2in-20 x 2-1/2in Lg.) (Hex Lock Head) (Used w/ U-Joint JUJ-6933)	10	ROKKITRPL2520	KIT, Hardware Includes Screws (4)940202 Rings (2)ESR-2832
2	DAN12-73-125M	SCREW (M12 x 1.25 x 25) (Used w/ U-Joints JUJ-6976 & JUJ-6978)			
2	MAK2104-773315	SCRE (7/16in-20 x 7/8in)			
2	MAK3AX1812	SCREW (3/8in-24 x 2in)			
2	MAK2104-673412	SCREW (3/8in-24 x 3/4in) (12 pt) (Used in JKT-6925 Kit)			
2	MAK2104-673516	SCREW (1/2in-20 x 1in) (12 pt) (Used in Kit JKT-6926)			
2	ROKCS82052	CAPSCREW (1/2in-20 x 1-3/4in) (12 pt)			
3	N/A	STRAP (Used in Kit JKT-6925)			
3	MAK25102037	STRAP (Used in Kit JKT-6926)			
4	MAK36AX3	WASHER, Lock (3/8in ID)			
4	MAK36AX5	WASHER, Lock (1/2in ID)			
5	MAK2104-98741	LOCKSTRAP (Used on U-Joint JUJ-6880)			

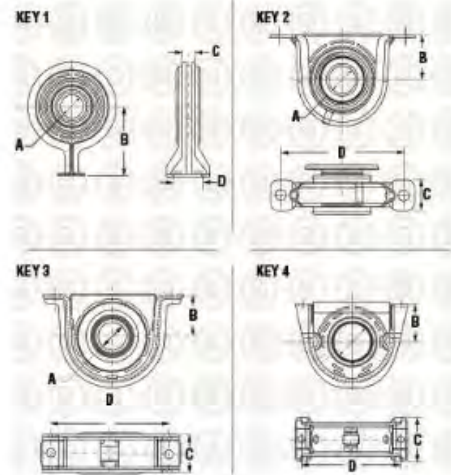
DRIVESHAFT COMPONENTS – PROPELLER SHAFT – SLIP YOKES



KEY	OEM REFERENCE	DESCRIPTION
	DAN10-3-18KX	YOKE, Slip
	DAN4-3-1241KX	YOKE, Slip
	MAK8235-17N32651X	YOKE, Slip
	DAN6-3-2551KX	YOKE, Slip
	DAN6.3-3-41KX	YOKE, Slip
	DAN6.3-3-21KX	YOKE, Slip
	MAK80MU240	YOKE, Slip

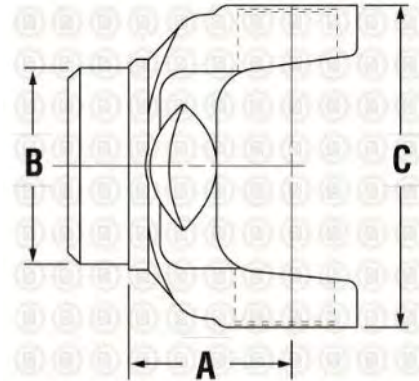
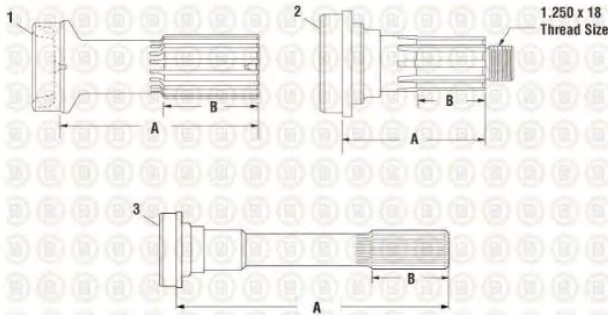


KEY	OEM REFERENCE	DESCRIPTION
	DAN250-82-21X	YOKE, Slip



DRIVESHAFT COMPONENTS – PROPELLER SHAFT – CENTER BEARINGS

KEY	OEM REF.	DESCRIPTION
1	DAN210527X	BEARING, Center
2	MAK2104-2100881X	BEARING, Center
2	MAK2104-2103701X	BEARING, Center
2	MAK2104-2108661X	BEARING, Center
2	DAN210873-1X	BEARING, Center
3	MAK2104-2101401X	BEARING, Center
3	MAK2104-2101441X	BEARING, Center
3	MAK2104-2103911X	BEARING, Center
3	MAK2104-2104331X	BEARING, Center
3	MAK2104-2100842X	BEARING, Center
3	MAK2104-2102071X	BEARING, Center
3	MAK35MU31	BEARING, Center
3	MAK2104-2108811X	BEARING, Center
4	MAK35MU32P3	BEARING, Center
4	DAN5003323	BEARING, Center
4	MAK35MU32P4	BEARING, Center



Outside (OSR)

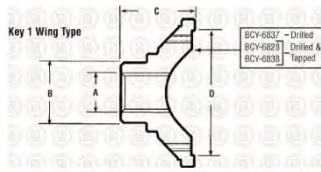
**DRIVESHAFT COMPONENTS – PROPELLER SHAFT – TUBE
 SHAFTS - SPLINED MIDSHIP AND SLIP TUBE SHAFTS**

KEY	OEM REFERENCE	DESCRIPTION
1	DAN2-40-971	SHAFT, Stub
1	DAN2-40-1031	SHAFT, Stub
3	DAN3-53-451	SHAFT, Tube
2	DAN5-53-141	SHAFT, Tube
2	DAN5-53-191	SHAFT, Tube
2	DAN6-53-411	SHAFT, Tube
2	DAN6-53-201	SHAFT, Tube, Splined Midship
1	DAN5-40-1051	SHAFT, Tube
2	DAN6.5-53-91	SHAFT, Tube, Splined Midship
2	DAN6-53-311	SHAFT, Tube, Splined Midship
2	DAN6.3-53-21	SHAFT, Tube
2	DAN6.5-53-171	SHAFT, Tube
1	MAK61MU37	SHAFT, Tube, Slip
1	DAN6-40-621	SHAFT, Stub
1	DAN6.5-40-201	SHAFT, Tube, Slip
1	DAN6.5-40-191	SHAFT, Tube, Slip
1	DAN8-40-101	SHAFT, Tube, Slip

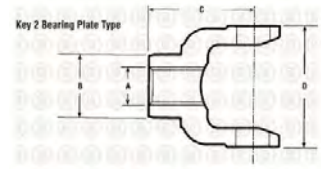
**DRIVESHAFT COMPONENTS – PROPELLER SHAFT – YOKE
 TUBES**

KEY	OEM REFERENCE	DESCRIPTION
	DAN2-28-1757	Yoke, Tube
	DAN2-28-437	Yoke, Tube
	DAN3-28-557	Yoke, Tube
	DAN3-28-537	Yoke, Tube
	DAN4-28-307	Yoke, Tube
	DAN5-28-627	Yoke, Tube
	DAN6-28-347	Yoke, Tube
	DAN6.3-28-17	Yoke, Tube
	DAN6.5-28-117	Yoke, Tube
	DAN6.5-28-127	Yoke, Tube

**DRIVESHAFT COMPONENTS – PROPELLER SHAFT –
SPLINED DRIVE YOKE REFERENCE CHART - WING TYPE**



KEY	OEM REFERENCE	DESCRIPTION
1	MAK38MU3362	
1	MAK192MU51P18	
1	MAK8235-92NYS4017	



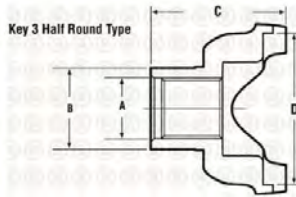
KEY	OEM REFERENCE	DESCRIPTION
2	DAN5-4-6261	
2	DAN5-4-5721	
2	DAN5-4-5751	
2	DAN5-4-5751	
2	MAK38MU158	
2	DAN6-4-6331	
2	DAN6-4-6321	
2	DAN6-4-6481	
2	DAN6-4-6451	
2	MAK2104-643221	
2	MAK38MU3154	
2	DAN6-4-3241	
2	MAK171MU52P32	
2	MAK-38MU3232P15	
2	DAN6-4-5521	
2	MAK2104-645501	
2	DAN6-4-6871-X	
2	DAN6-4-6401	
2	MAK2104-646411X	
2	DAN6-4-6371	
2	MAK38MU3140	
2	MAK38MU364P1	
2	MAK8235-17N42441	
2	DAN6-4-5791	
2	DAN6-4-7541	
2	DAN6-4-4591	
2	MAK38MU353P1	
2	MAK171MU52P27	
2	MAK2104-645071X	

KEY	OEM REFERENCE	DESCRIPTION
2	DAN6-4-5711	
2	MAK171MU52P53	
2	MAK171MU52P31	
2	MAK38MU3232P18	
2	DAN6-4-7181X	
2	DAN6-4-7161	
2	DAN6-4-7761	
2	DAN6-4-7771X	
2	MAK171MU52P18	
2	MAK38MU3135	
2	MAK2104-646921X	
2	DAN6-4-5351	
2	DAN6-4-7071X	
2	DAN6-4-6821	
2	DAN6-4-6931X	
2	MAK176MU52P11	
2	DAN6.3-4-1391X	
2	MAK8235-176NYS3810	
2	MAK181MU52P19	
2	DAN6.5-4-1891	
2	DAN6.5-4-2701	
2	MAK181MU52P30	
2	DAN6.5-4-3721	
2	MAK2104-6543731X	
2	MAK2104-6543201	
2	MAK2104-6543581X	
2	MAK181MU52P36	
2	MAK2104-6543911	
2	MAK181MU52P16	
2	MAK2104-6543451	
2	MAK181MU52P3	
2	DAN6.5-4-3491	
2	MAK181MU52P32	
2	MAK2104-6544631	

Continued

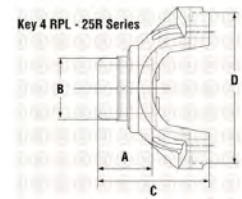
**DRIVESHAFT COMPONENTS – PROPELLER SHAFT –
 SPLINED DRIVE YOKE REFERENCE CHART - WING TYPE**

Continued



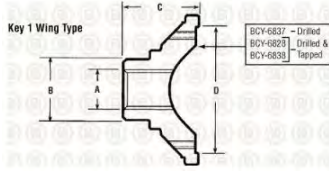
KEY	OEM REFERENCE	DESCRIPTION
3	DAN90-4-71-1	
3	DAN170-4-281-1X	
3	DAN250-4-21-1	
3	DAN250-4-271-1	
3	MAK2104-5471711	
3	DAN5-4-6321-1	
3	DAN6-4-9021-1	
3	DAN6-4-1981-1	
3	DAN6-4-7141-1	
3	MAK171MU51P32	
3	MAK171MU51P20	
3	DAN6-4-8361-1X	
3	DAN6-4-7621-1	
3	DAN6-4-7631-1X	
3	DAN6-4-6371-1	
3	MAK171MU51P4	
3	MAK171MU51P2	
3	DAN6-4-8461-1	
3	MAK25102169	
3	DAN6-4-4601-1	
3	DAN6-4-5841-1	
3	DAN6-4-8341-1X	
3	DAN6-4-7481-1	
3	DAN6.3-4-531-1	
3	MAK176MU51P20	
3	DAN6.3-4-1511-1	
3	MAK2104-63415211X	
3	DAN6.3-4-1411-1	
3	DAN6.3-4-5221-1X	
3	MAK2104-6341611	
3	MAK2104-63415611X	
3	MAK2104-6343911	
3	MAK176MU51P9	
3	DAN6.3-4-641-1	
3	MAK176MU51P25	
3	MAK176MU51P35	
3	DAN6.3-4-651-1	
3	MAK176MU51P3	
3	DAN6.3-4-711-1	

KEY	OEM REFERENCE	DESCRIPTION
3	MAK176MU51P15	
3	DAN6.5-4-3261-1	
3	MAK181MU51P12	
3	DAN6.5-4-1891-1	
3	MAK181MU51P22	
3	DAN6.5-4-3441-1	
3	DAN6.5-4-3251-1	
3	DAN6.5-4-4271-1X	
3	MAK181MU51P41	
3	DAN6.5-4-2101-1	
3	DAN6.5-4-4291-1X	
3	MAK181MU51P32	
3	DAN6.5-4-4631-1	

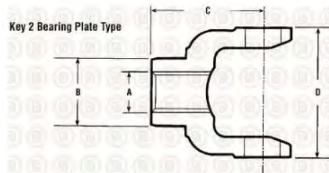


KEY	OEM REFERENCE	DESCRIPTION
4	ROK25WYS3813	
4	ROK25WYS3813A	

**DRIVESHAFT COMPONENTS – PROPELLER SHAFT –
 SPLINED DRIVE YOKE REFERENCE CHART - BEARING
 PLATE TYPE**



KEY	OEM REFERENCE	DESCRIPTION
1	MAK38MU3362	
1	MAK192MU51P18	
1	MAK8235-92NYS4017	



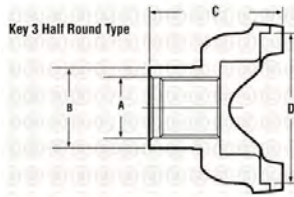
KEY	OEM REFERENCE	DESCRIPTION
2	DAN5-4-6261	
2	DAN5-4-5721	
2	DAN5-4-5751	
2	DAN5-4-5731	
2	MAK38MU158	
2	DAN6-4-6331	
2	DAN6-4-6321	
2	DAN6-4-6481	
2	DAN6-4-6451	
2	MAK2104-643221	
2	MAK38MU3154	
2	DAN6-4-3241	
2	MAK171MU52P32	
2	MAK38MU3232P15	
2	DAN6-4-5521	
2	MAK2104-645501	
2	DAN6-4-6871-X	
2	DAN6-4-6401	
2	MAK2104-646411X	
2	DAN6-4-6371	
2	MAK38MU3140	
2	MAK38MU364P1	
2	MAK8235-17N42441	
2	DAN6-4-5791	
2	DAN6-4-7541	
2	DAN6-4-4591	
2	MAK38MU353P1	

KEY	OEM REFERENCE	DESCRIPTION
2	MAK171MU52P27	
2	MAK2104-645071X	
2	DAN6-4-5711	
2	MAK171MU52P53	
2	MAK171MU52P31	
2	MAK38MU3232P18	
2	DAN6-4-7181X	
2	DAN6-4-7161	
2	DAN6-4-7761	
2	DAN6-4-7771X	
2	MAK171MU52P18	
2	MAK38MU3135	
2	MAK2104-646921X	
2	DAN6-4-5351	
2	DAN6-4-7071X	
2	DAN6-4-6821	
2	DAN6-4-6931X	
2	MAK176MU52P11	
2	DAN6.3-4-1391X	
2	MAK8235-176NYS3810	
2	MAK181MU52P19	
2	DAN6.5-4-1891	
2	DAN6.5-4-2701	
2	MAK181MU52P30	
2	DAN6.5-4-3721	
2	MAK2104-6543731X	
2	MAK2104-6543201	
2	MAK2104-6543581X	
2	MAK181MU52P36	
2	MAK2104-6543911	
2	MAK181MU52P16	
2	MAK2104-6543451	
2	MAK181MU52P3	
2	DAN6.5-4-3491	
2	MAK181MU52P32	
2	MAK2104-6544631	

Continued

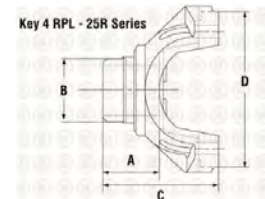
**DRIVESHAFT COMPONENTS – PROPELLER SHAFT –
 SPLINED DRIVE YOKE REFERENCE CHART - BEARING
 PLATE TYPE**

Continued



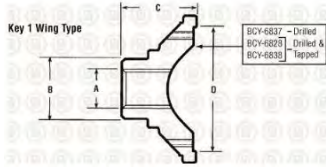
KEY	OEM REFERENCE	DESCRIPTION
3	DAN90-4-71-1	
3	DAN170-4-281-1X	
3	DAN250-4-21-1	
3	DAN250-4-271-1	
3	MAK2104-5471711	
3	DAN5-4-6321-1	
3	DAN6-4-9021-1	
3	DAN6-4-1981-1	
3	DAN6-4-7141-1	
3	MAK171MU51P32	
3	MAK171MU51P20	
3	DAN6-4-8361-1X	
3	DAN6-4-7621-1	
3	DAN6-4-7631-1X	
3	DAN6-4-6371-1	
3	MAK171MU51P4	
3	MAK171MU51P2	
3	DAN6-4-8461-1	
3	MAK25102169	
3	DAN6-4-4601-1	
3	DAN6-4-5841-1	
3	DAN6-4-8341-1X	
3	DAN6-4-7481-1	
3	DAN6.3-4-531-1	
3	MAK176MU51P20	
3	DAN6.3-4-1511-1	
3	MAK2104-63415211X	
3	DAN6.3-4-1411-1	
3	DAN6.3-4-5221-1X	
3	MAK2104-6341611	
3	MAK2104-63415611X	
3	MAK2104-6343911	
3	MAK176MU51P9	
3	DAN6.3-4-641-1	
3	MAK176MU51P25	
3	MAK176MU51P35	

KEY	OEM REFERENCE	DESCRIPTION
3	DAN6.3-4-651-1	
3	MAK176MU51P3	
3	DAN6.3-4-711-1	
3	MAK176MU51P15	
3	DAN6.5-4-3261-1	
3	MAK181MU51P12	
3	DAN6.5-4-1891-1	
3	MAK181MU51P22	
3	DAN6.5-4-3441-1	
3	DAN6.5-4-3251-1	
3	DAN6.5-4-4271-1X	
3	MAK181MU51P41	
3	DAN6.5-4-2101-1	
3	DAN6.5-4-4291-1X	
3	MAK181MU51P32	
3	DAN6.5-4-4631-1	

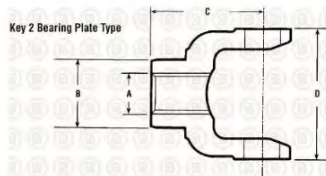


KEY	OEM REFERENCE	DESCRIPTION
4	ROK25WYS3813	
4	ROK25WYS3813A	

**DRIVESHAFT COMPONENTS – PROPELLER SHAFT –
 SPLINED DRIVE YOKE REFERENCE CHART - BEARING
 PLATE TYPE**



KEY	OEM REFERENCE	DESCRIPTION
1	MAK38MU3362	
1	MAK192MU51P18	
1	MAK8235-92NYS4017	



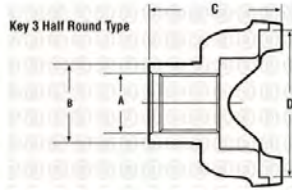
KEY	OEM REFERENCE	DESCRIPTION
2	DAN5-4-6261	
2	DAN5-4-5721	
2	DAN5-4-5751	
2	DAN5-4-5731	
2	MAK38MU158	
2	DAN6-4-6331	
2	DAN6-4-6321	
2	DAN6-4-6481	
2	DAN6-4-6451	
2	MAK2104-643221	
2	MAK38MU3154	
2	DAN6-4-3241	
2	MAK171MU52P32	
2	MAK38MU3232P15	
2	DAN6-4-5521	
2	MAK2104-645501	
2	DAN6-4-6871-X	
2	DAN6-4-6401	
2	MAK2104-646411X	
2	DAN6-4-6371	
2	MAK38MU3140	
2	MAK38MU364P1	
2	MAK8235-17N42441	
2	DAN6-4-5791	
2	DAN6-4-7541	
2	DAN6-4-4591	
2	MAK38MU353P1	

KEY	OEM REFERENCE	DESCRIPTION
2	MAK171MU52P27	
2	MAK2104-645071X	
2	DAN6-4-5711	
2	MAK171MU52P53	
2	MAK171MU52P31	
2	MAK38MU3232P18	
2	DAN6-4-7181X	
2	DAN6-4-7161	
2	DAN6-4-7761	
2	DAN6-4-7771X	
2	MAK171MU52P18	
2	MAK38MU3135	
2	MAK2104-646921X	
2	DAN6-4-5351	
2	DAN6-4-7071X	
2	DAN6-4-6821	
2	DAN6-4-6931X	
2	MAK176MU52P11	
2	DAN6.3-4-1391X	
2	MAK8235-176NYS3810	
2	MAK181MU52P19	
2	DAN6.5-4-1891	
2	DAN6.5-4-2701	
2	MAK181MU52P30	
2	DAN6.5-4-3721	
2	MAK2104-6543731X	
2	MAK2104-6543201	
2	MAK2104-6543581X	
2	MAK181MU52P36	
2	MAK2104-6543911	
2	MAK181MU52P16	
2	MAK2104-6543451	
2	MAK181MU52P3	
2	DAN6.5-4-3491	
2	MAK181MU52P32	
2	MAK2104-6544631	

Continued

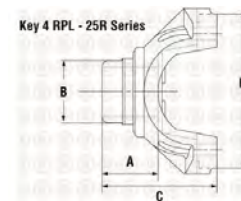
**DRIVESHAFT COMPONENTS – PROPELLER SHAFT –
SPLINED DRIVE YOKE REFERENCE CHART - BEARING
PLATE TYPE**

Continued



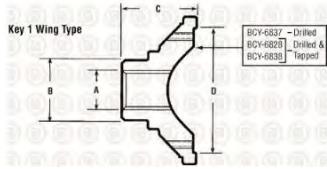
KEY	OEM REFERENCE	DESCRIPTION
3	DAN90-4-71-1	
3	DAN170-4-281-1X	
3	DAN250-4-21-1	
3	DAN250-4-271-1	
3	MAK2104-5471711	
3	DAN5-4-6321-1	
3	DAN6-4-1981-1	
3	DAN6-4-7141-1	
3	MAK171MU51P32	
3	MAK171MU51P20	
3	DAN6-4-8361-1X	
3	DAN6-4-7621-1	
3	DAN6-4-7631-1X	
3	DAN6-4-6371-1	
3	MAK171MU51P4	
3	MAK171MU51P2	
3	DAN6-4-8461-1	
3	MAK25102169	
3	DAN6-4-4601-1	
3	DAN6-4-5841-1	
3	DAN6-4-8341-1X	
3	DAN6-4-7481-1	
3	DAN6.3-4-531-1	
3	MAK176MU51P20	
3	DAN6.3-4-1511-1	
3	MAK2104-63415211X	
3	DAN6.3-4-1411-1	
3	DAN6.3-4-5221-1X	
3	MAK2104-6341611	
3	MAK2104-63415611X	
3	MAK2104-6343911	
3	MAK176MU51P9	
3	DAN6.3-4-641-1	
3	MAK176MU51P25	
3	MAK176MU51P35	
3	DAN6.3-4-651-1	
3	MAK176MU51P3	

KEY	OEM REFERENCE	DESCRIPTION
3	DAN6.3-4-711-1	
3	MAK176MU51P15	
3	DAN6.5-4-3261-1	
3	MAK181MU51P12	
3	DAN6.5-4-1891-1	
3	MAK181MU51P22	
3	DAN6.5-4-3441-1	
3	DAN6.5-4-3251-1	
3	DAN6.5-4-4271-1X	
3	MAK181MU51P41	
3	DAN6.5-4-2101-1	
3	DAN6.5-4-4291-1X	
3	MAK181MU51P32	
3	DAN6.5-4-4631-1	

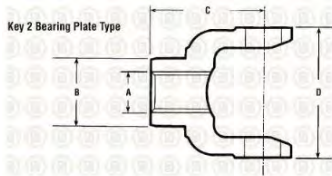


KEY	OEM REFERENCE	DESCRIPTION
4	ROK25WYS3813	
4	ROK25WYS3813A	

**DRIVESHAFT COMPONENTS – PROPELLER SHAFT –
 SPLINED DRIVE YOKE REFERENCE CHART – RPL - 25R
 SERIES**



KEY	OEM REFERENCE	DESCRIPTION
1	MAK38MU3362	
1	MAK192MU51P18	
1	MAK8235-92NYS4017	



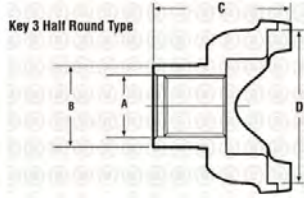
KEY	OEM REFERENCE	DESCRIPTION
2	DAN5-4-6261	
2	DAN5-4-5721	
2	DAN5-4-5751	
2	DAN5-4-5731	
2	MAK38MU158	
2	DAN6-4-6331	
2	DAN6-4-6321	
2	DAN6-4-6481	
2	DAN6-4-6451	
2	MAK2104-643221	
2	MAK38MU3154	
2	DAN6-4-3241	
2	MAK171MU52P32	
2	MAK38MU3232P15	
2	DAN6-4-5521	
2	MAK2104-645501	
2	DAN6-4-6871-X	
2	DAN6-4-6401	
2	MAK2104-646411X	
2	DAN6-4-6371	
2	MAK38MU3140	
2	MAK38MU364P1	
2	MAK8235-17N42441	
2	DAN6-4-5791	
2	DAN6-4-7541	
2	DAN6-4-4591	
2	MAK38MU353P1	

2KEY	OEM REFERENCE	DESCRIPTION
2	MAK171MU52P27	
2	MAK2104-645071X	
2	DAN6-4-5711	
2	MAK171MU52P53	
2	MAK171MU52P31	
2	MAK38MU3232P18	
2	DAN6-4-7181X	
2	DAN6-4-7161	
2	DAN6-4-7761	
2	DAN6-4-7771X	
2	MAK171MU52P18	
2	MAK38MU3135	
2	MAK2104-646921X	
2	DAN6-4-5351	
2	DAN6-4-7071X	
2	DAN6-4-6821	
2	DAN6-4-6931X	
2	MAK176MU52P11	
2	DAN6.3-4-1391X	
2	MAK8235-176NYS3810	
2	MAK181MU52P19	
2	DAN6.5-4-1891	
2	DAN6.5-4-2701	
2	MAK181MU52P30	
2	DAN6.5-4-3721	
2	MAK2104-6543731X	
2	MAK2104-6543201	
2	MAK2104-6543581X	
2	MAK181MU52P36	
2	MAK2104-6543911	
2	MAK181MU52P16	
2	MAK2104-6543451	
2	MAK181MU52P3	
2	DAN6.5-4-3491	
2	MAK181MU52P32	
2	MAK2104-6544631	

Continued

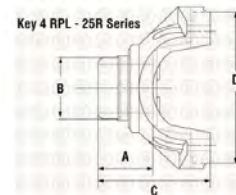
**DRIVESHAFT COMPONENTS – PROPELLER SHAFT –
SPLINED DRIVE YOKE REFERENCE CHART – RPL - 25R
SERIES**

Continued

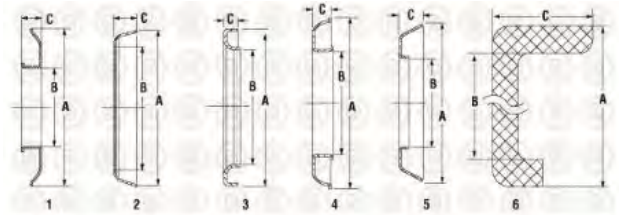
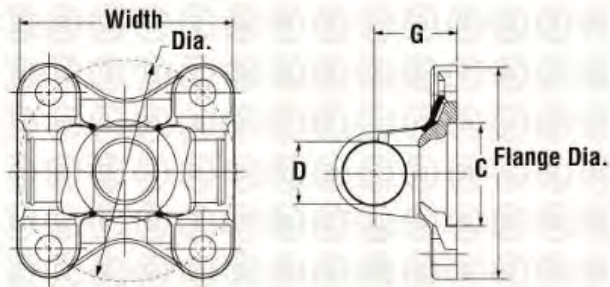


KEY	OEM REFERENCE	DESCRIPTION
3	DAN90-4-71-1	
3	DAN170-4-281-1X	
3	DAN250-4-21-1	
3	DAN250-4-271-1	
3	MAK2104-5471711	
3	DAN5-4-6321-1	
3	DAN6-4-9021-1	
3	DAN6-4-1981-1	
3	DAN6-4-7141-1	
3	MAK171MU51P32	
3	MAK171MU51P20	
3	DAN6-4-8361-1X	
3	DAN6-4-7621-1	
3	DAN6-4-7631-1X	
3	DAN6-4-6371-1	
3	MAK171MU51P4	
3	MAK171MU51P2	
3	DAN6-4-8461-1	
3	MAK25102169	
3	DAN6-4-4601-1	
3	DAN6-4-5841-1	
3	DAN6-4-8341-1X	
3	DAN6-4-7481-1	
3	DAN6.3-4-531-1	
3	MAK176MU51P20	
3	DAN6.3-4-1511-1	
3	MAK2104-63415211X	
3	DAN6.3-4-1411-1	
3	DAN6.3-4-5221-1X	
3	MAK2104-6341611	
3	MAK2104-63415611X	
3	MAK2104-6343911	
3	MAK176MU51P9	
3	DAN6.3-4-641-1	
3	MAK176MU51P25	
3	MAK176MU51P35	
3	DAN6.3-4-651-1	
3	MAK176MU51P3	

KEY	OEM REFERENCE	DESCRIPTION
3	DAN6.3-4-711-1	
3	MAK176MU51P15	
3	DAN6.5-4-3261-1	
3	MAK181MU51P12	
3	DAN6.5-4-1891-1	
3	MAK181MU51P22	
3	DAN6.5-4-3441-1	
3	DAN6.5-4-3251-1	
3	DAN6.5-4-4271-1X	
3	MAK181MU51P41	
3	DAN6.5-4-2101-1	
3	DAN6.5-4-4291-1X	
3	MAK181MU51P32	
3	DAN6.5-4-4631-1	



KEY	OEM REFERENCE	DESCRIPTION
4	ROK25WYS3813	
4	ROK25WYS3813A	

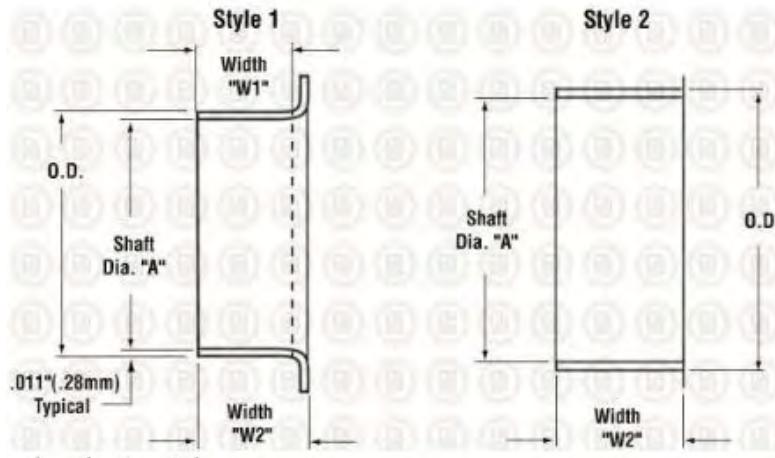


**DRIVESHAFT COMPONENTS – PROPELLER SHAFT –
 SPLINED DRIVE YOKE REFERENCE CHART - FLANGED
 YOKE TYPE**

KEY	OEM REFERENCE	DESCRIPTION
	DAN2-2-479	
	DAN4-2-669	

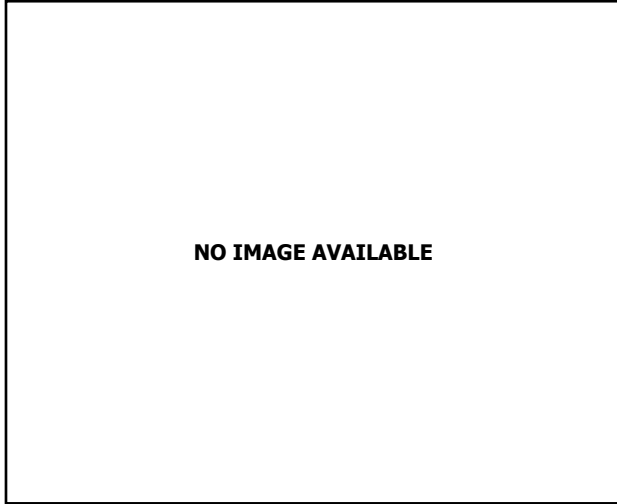
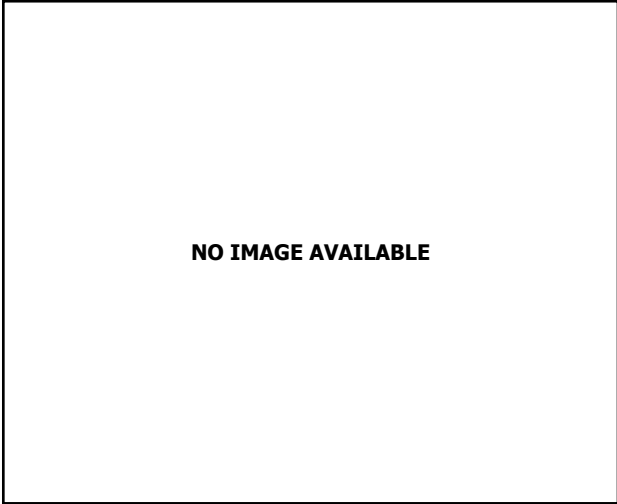
**DRIVESHAFT COMPONENTS – PROPELLER SHAFT – DUST
 SHIELDS /SLINGERS**

KEY	OEM REF.	DESCRIPTION
5	DAN232200	SHIELD, DUST
4	FUL20808	SLINGER
3	MAK2104-230746	SHEILD, DU
1	DAN231022	SHIELD, DUST
1	MAK2104-231102	SHIELD, DS
2	DAN231047	SHIELD, DUST
3	DAN232042-2	SHIELD, DUST
6	MAK34RU2224P2	SHIELD
4	DAN232511	SHIELD, DUST
3	DAN232042-6	SHIELD, DUST
1	DAN231179	SHIELD, DUST
3	MAK2104-23204210	SHIELD
6	MAK34RU2224P10	SHIELD
1	DAN231803	SHIELD, DUST
2	DAN231745	SHIELD, DUST
1	ROKDEFR643	SHIELD, DUST
1	MAK2104-231615	SHIELD



DRIVESHAFT COMPONENTS – PROPELLER SHAFT – WEAR RINGS (REPAIR SLEEVES)

KEY	OEM REF.	DESCRIPTION	KEY	OEM REF.	DESCRIPTION
1	MAK1458-99248	RING, WEAR	2	CUM3924986	RING, WEAR
1	MAK1458-99250	RING, WEAR	2	NAV675861C2	RING, WEAR
1	CUM3906080	RING, WEAR	2	NAV1827174C1	RING, WIDE
1	MAK1458-99259	RING, WEAR	2	MAK75KH16	RING
1	MAK1458-99262	RING, WEAR	2	DDC23516636	RING, WEAR
1	MAK1458-99274	RING, WEAR	2	MAK7843-3101037	RING
1	MAK1458-99275	RING	2	CUM3925532	RING, WEAR
1	MAK1458-99293	RING, WEAR	2	NAV1817866C91	RING, WEAR
1	CUM3908277	RING, WEAR	2	MAK532GC222A	RING
1	MAK1458-99300	RING, WEAR	2	MAK532GC220B	RING
1	CUM3010464	RING, WEAR	2	NAV1814607C1	RING, WEAR
1	MAK1458-99325	RING, WEAR	2	NAV1812056C1	RING, WEAR
1	CUM3820918	RING, WEAR			
1	MAK1458-99350	RING			
1	CUM3820917	RING, WEAR			
1	MAK1458-99363	RING, WEAR			
1	CUM3006742	RING, WEAR			
1	CUM3010465	RING, WEAR			
1	MAK1458-99372	RING, WEAR			
1	MAK1458-99499	RING, WEAR			
1	CUM3906081	RING, WEAR			
1	CUM3006743	RING, WEAR			
1	CUM3006237	RING, WEAR			
1	CUM3819774	RING, WEAR			
2	DDC5192439	RING, WEAR			
2	DDC5198502	RING, WEAR			
2	CUM3076501	RING, WEAR			
2	CUM190397	SLEEVE, ACC-DRV			
2	CUM3922599	RING, WEAR			

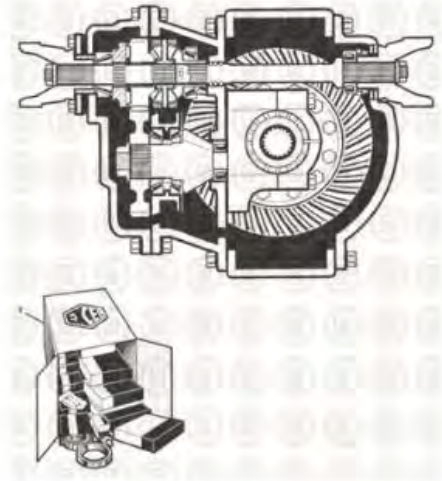
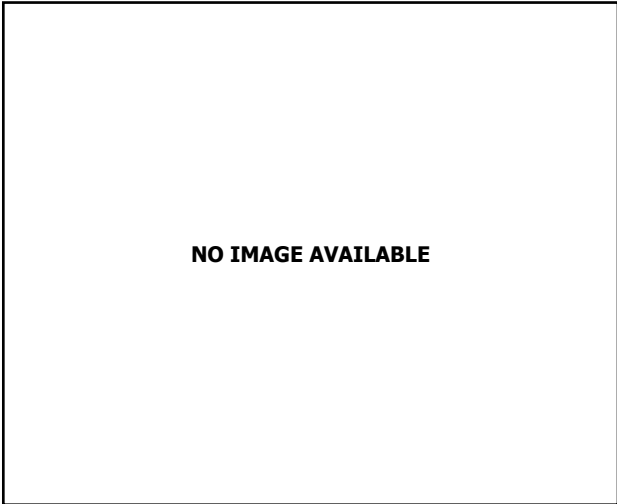


DANA/EATON DIFFERENTIAL – 170 / 190 SERIES HEAVY TANDEM AXLE

KEY	OEM REF.	DESCRIPTION
1	DAN300GD101	GEAR, Differential Side
2	DAN131040	GEAR, Spider Pinion
3	DAN131039	SPIDER ,Differential
4	DAN513868	KIT, Differential Nest Includes Spider (1)960250 Gears (2)960220 (4)960225
5	DAN131345	GEAR, Helical
6	DAN129856	FORK, Shift
7	DAN129859	SPRING, Fork
8	DAN510870	KIT, Shift Fork Includes Fork (1)960177 Spring (1)960179
9	DAN131344	BUSHING
10	DAN131048	CUP, Bearing
10	DAN139972	CUP, Pinion Bearing
11	DAN131042	CONE, Bearing
11	DAN139971	CONE, Pinion Bearing
12	DAN514238	KIT, Bearing and Seal

DANA/EATON DIFFERENTIAL – GEAR SETS

KEY	OEM REF.	DESCRIPTION
	513882	
	513883	
	513884	
	513885	
	513886	
	513887	
	513888	
	513889	
	513890	
	513891	
	513892	
	513893	
	513894	
	513895	
	513896	
	513897	
	513898	

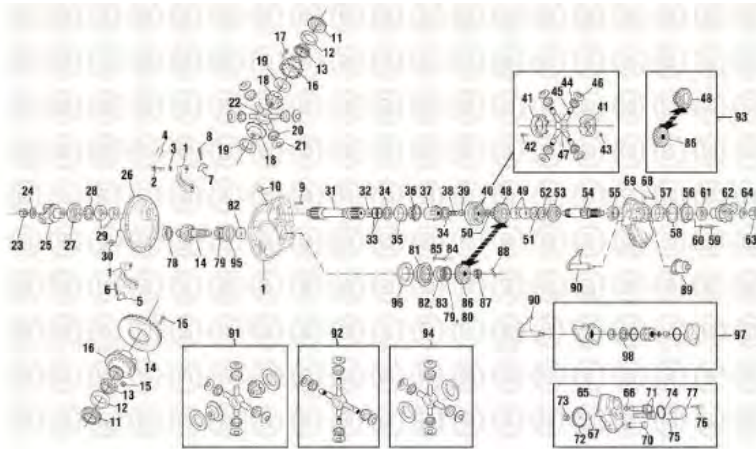


DANA/EATON DIFFERENTIAL – GEAR SETS

KEY	OEM REF.	DESCRIPTION
	513914	
	513915	
	513916	
	513917	
	513918	
	513919	
	513920	
	513921	
	513922	
	513923	
	513924	
	513925	
	513926	
	513927	
	513928	
	513930	
	513930	
	513931	
	513932	
	513933	

EATON DIFFERENTIALS – DS 34,38,340,380,400,341,381, 401,402,451 – SERVICE KITS

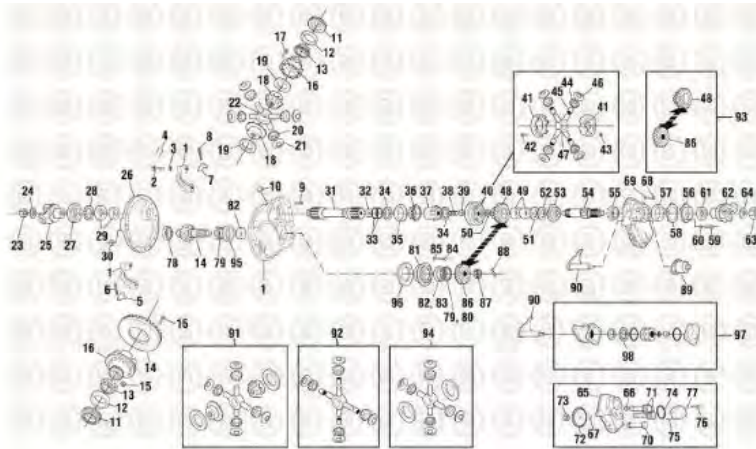
KEY	OEM REF.	DESCRIPTION
1	EAT99044	KIT, Bearing and Seal (34, 38 DS) Includes Bearings (1)ACU-9061 (1)GCU-6020 (1)BBG-7372 (1)BBG-7490 (1)BCU-7637 (1)GGB-7638 (1)GGB-7333 (1)GCU-7332 (1)GBG-6630 (1)BBG-6167 (2)BCU-7118 (1)GGB-7405 Seals (2)EE73060
1	EAT106845	KIT, Bearing and Seal (DS 340, 380, 400-P) Includes Bearings (1)ACU-9061 (1)GCU-6020 (1)BBG-7372 (1)BBG-7490 (1)GBG-6630 (1)BCU-7637 (1)BBG-7638 (1)GBG-6023 (1)GCU-6024 (1)GGB-6167 (2)BCU-7118 (1)BBG-7409 (1)BBG-7405 Seals (1)EE73060 (1)EE73050
1	EAT114394	KIT, Bearing and Seal Includes Bearings (1)ACU-9061 (1)BBG-7372 (1)GBG-6630 (1)BCU-7166 (1)EE71590 (1)BCU-7158 (1)BBG-6167 (1)BBG-7398 (1)BCU-7118 (1)EE71120 (1)BBG-7490 (1)BBG-7409 (1)BBG-7164 (1)ER60200
1	EAT211222	KIT, Bearing and Seal (DS 341,402,451-Current) Includes Bearings (1)BBG-7409 (1)ER74900 (1)ER60200 (1)EE71120 (1)ER71640 (1)EE90610 (1)EE73720 (1)GBG-6630 (1)BCU-7166 (1)EE71590 (1)ER71580 (1)BBG-6168 (1)BBG-7398 (1)BCU-7118 Seals (1)EE73060 (1)EE73050



EATON DIFFERENTIALS – DS 34,38,340,380,400,341,381, 401,402,451 – FORWARD AXLE SINGLE REDUCTION

KEY	OEM REF.	DESCRIPTION	KEY	OEM REF.	DESCRIPTION
1	EAT115690	HOUSING and Caps (DS 341, 381, 401, 402, 451)	16	EAT103865	CASE Assy (Ratio 3.36 - 5.29) (Not Sold Separately, Use EE70340 Kit)
1	EAT120924	HOUSING and Caps (DS 340, 380, 400)	16	EAT88677	CASE Assy (Ratio 5.57 - 7.17)
1	EAT120923	HOUSING and Caps (34, 38 DS)	17	EAT96271	SCREW (12 req'd)
2	EAT127179	SCREW (4 req'd)	18	EAT110527	GEAR, Side (DS 381, 402)
3	EAT26772	WASHER (4 req'd)	18	EAT37069	GEAR, Side (38 DS, DS 380)
4	EAT90538	LOCKWIRE (DS 340, 380, 400, 34 & 38 DS)	18	EAT37072	GEAR, Side (34 DS, DS 340)
5	EAT14275	LOCK (RH)	18	EAT110525	GEAR, Side (DS 341)
6	EAT90876	PIN, Cotter (RH)	18	EAT85486	GEAR, Side (DS 400, 401, 451)
7	EAT13377	LOCK (LH)	19	EAT127386	WASHER, Thrust, Side Gear (2 req'd)
8	EAT90873	PIN, Cotter (LH)	20	EAT104139	PINION
9	EAT7641	PIN	21	EAT27810	WASHER, Thrust, Pinion (4 req'd)
10	ROKP-212	PLUG (3/4in P.T.)	22	EAT38289	SPIDER
11	EAT110243	NUT, Adjusting (L.H.) (DS 341, 381, 401, 402, 451)	23	EAT95205	NUT
11	EAT31562	NUT, Adjusting (RH)	24	EAT4327	WASHER
11	EAT27842	NUT, Adjusting (LH) (DS 340, 380, 400, 34 & 38 DS)	25		YOKE
12	MAK64AX183	CUP (LH)	26	EAT107320	COVER (DS 341, 381, 401, 402, 451)
12	MAK64AX72	CUP (RH)	26	EAT75336	COVER (34, 38 DS, DS 340, 380, 400)
13	MAK62AX159	CONE (RH)	27	EAT127720	SEAL, Rear
13	MAK62AX413	CONE (LH)	28	EAT45516	RING, Retaining
14	N/A	SET,Gear	29	MAK67AX291	BEARING
15	EAT70745	KIT, Bolt (5/8in) (Incl: (16)EE08260 (16)EE01960)	30	MAK49AX188	PLUG, Magnetic (1in)
15	EAT69957	KIT, Bolt (1/2in)	30	MAK49AX224	PLUG, Magnetic (3/4in)
16	EAT127823	CASE Assembly (Ratio 3.08 - 3.25) (DS 341, 402, 451 only)			

Continued

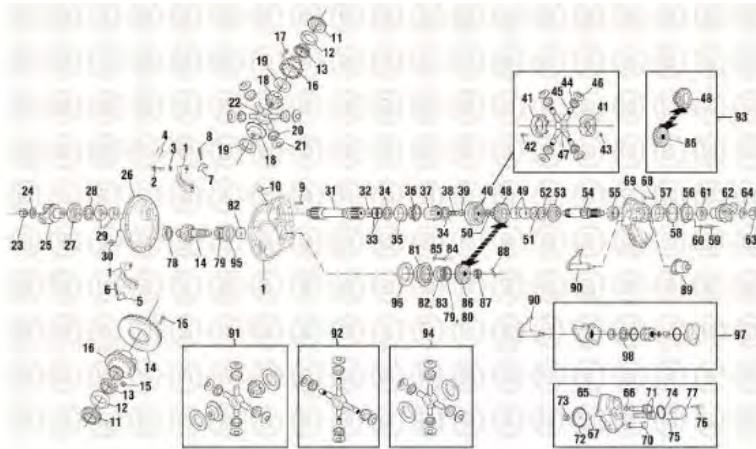


EATON DIFFERENTIALS – DS 34,38,340,380,400,341,381, 401,402,451 – FORWARD AXLE SINGLE REDUCTION

Continued

KEY	OEM REF.	DESCRIPTION	KEY	OEM REF.	DESCRIPTION
31	EAT115123	ASSEMBLY, Shaft (1-3/4in- 34) (DS 34, 381, 401, 405, 451) (Incl: (1)EE06610 (1)EE16470 (1)EE22520 (2)EE29870) Shaft (1)EE22910-001(NSS)	40	EAT104509	ASSEMBLY, Interaxle, Differen- tial (Incl: (1)EE08020 (1)EE21180 (4)EE31080 (4)EE34160 (4)EE95820)
31	EAT98603	ASSEMBLY, Shaft (1-3/4in-10) (Incl: (1)EE22350 (2)EE29870) Shaft (1)EE23020-001(NSS)	40	EAT213608	ASSEMBLY, Interaxle, Differen- tial (DS 341, 402, 451, w/ Pump only) (Incl: (1)EE08070 (1)EE21190 (4)EE30890 (4)EE95820)
32	EAT48922	BUSHING (Early Version Output Shaft Only)	41	EAT94810	ASSEMBLY, Case (Incl: (8)EE08440 (8)EE02790)
33	EAT46526	O-RING (2 req'd)	41	N/A	ASSEMBLY, Case (Used in EE21330 Assembly) (Incl: (8)EE08440 (8)EE02790)
34	FUL11364	RING, Retaining (2 req'd)	41	EAT91850	ASSEMBLY, Case (34, 38 DS only) (Incl: (8)EE08440 (8)EE02790)
35	EAT51232	CUP (DS 340, 380, 400, 34 & 38 DS)	42	EAT85438	SCREW (5/16in-24 x 2-1/2in Lg.) (8 req'd)
35	MAK2719-110811	CUP (DS 341, 381, 401, 402, 451)	43	EAT57637	NUT (5/16in) (8 req'd)
36	EAT51233	CONE (DS 340, 380, 400, 34 & 38 DS)	44	EAT95210	PINION (34, 38 DS only)
36	MAK8235-29675	CONE (DS 341, 381, 401, 402, 451)	44	EAT95214	PINION
37	EAT85436	GEAR (DS 340, 380, 400)	45	EAT95215	BUSHING
37	EAT110810	GEAR (DS 341, 381, 401, 402, 451)	45	EAT95211	BUSHING (34, 38 DS only)
37	EAT85909	GEAR (34, 38 DS)	46	EAT127785	WASHER, Thrust (DS 341, 402, 451) (w/ Pump)
38	EAT51238	SPRING (DS 341, 402, 451)	46	EAT85437	WASHER, Thrust
39	EAT51228	BEARING, Thrust (DS 341, 402, 451)	46	EAT25968	WASHER, Thrust (34, 38 DS Only)
40	EAT95213	ASSEMBLY, Interaxle, Differen- tial (34, 38 DS only) (Incl: (8)EE02790 (1)EE08010 (8)EE08440 (4)EE31170 (4)EE34170 (4)EE94430 (1)EAT91850)	47	EAT95216	SPIDER
			47	EAT127783	SPIDER (DS 341, 402, 451) (w/ Pump)

Continued

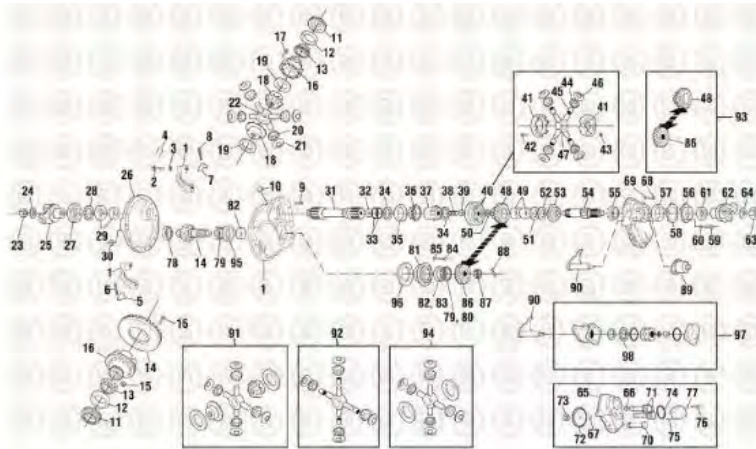


**EATON DIFFERENTIALS – DS 34,38,340,380,400,341,381,
401,402,451 – FORWARD AXLE SINGLE REDUCTION**

Continued

KEY	OEM REF.	DESCRIPTION	KEY	OEM REF.	DESCRIPTION
48	EAT128042	GEAR, Side (DS 341, 381, 401, 402, 451) (Incl: (2)EE34180)	55	MAK62AX347	CONE (DS 341, 381, 401, 402, 451)
48	EAT45476	GEAR, Side (34, 38 DS) (Incl: (2)EE34190)	55	MAK2719-83469	CONE (34, 38 DS)
48	EAT85432	GEAR, Side (DS 340, 380, 400) (Incl: (2)EE34180)	56	EAT211634	ASSEMBLY, Cover (w/o Pump) (DS 341, 402, 451) (Incl: (1)ER71580 (1)EE73050)
49	EAT85991	BUSHING	56	EAT110826	ASSEMBLY, Cover (w/o Pump) (DS 381, 401, 402, 451) (Incl: (1)ER71580 (1)EE73050)
49	EAT48921	BUSHING (34, 38 DS only)	56	EAT85423	ASSY, Cover (w/o Pump) (DS 340, 380, 400) (Incl: (1)EE60240, & (1)EE73050)
50	EAT85997	RING, Retaining	56	EAT86813	ASSY, Cover (34, 38 DS) (Incl: (1)EE73320 (1)EE73060)
50	EAT46983	RING, Retaining (34, 38 DS only)	57	MAK64AX289	CUP (DS 340, 380, 400)
51	EAT85429	WASHER	57	MAK8235-1228N638	CUP (DS 341, 381, 401, 402, 451)
51	EAT45477	WASHER (34, 38 DS)	57	MAK2719-83462	CUP (34, 38 DS)
52	EAT45478	WASHER, 'D'	58	EAT45498	SHIM (.003in)
52	EAT85992	WASHER, 'D' (DS 340)	58	EAT70709	SHIM (.005in)
53	EAT45480	CLUTCH, Sliding	58	EAT45499	SHIM (.010in)
53	EAT128016	CLUTCH, Sliding (Current)	58	EAT85406	SHIM (.020in)
54	EAT115126	KIT, Input Shaft (w/ Pump) (44 Teeth Spline, 2.250in Dia.) (Incl: (1)EE22540 (1)EE30950)	59	MAK6AX1324X	SCREW
54	EAT115122	KIT, Input Shaft (w/o Pump) (44 Teeth Spline, 2.250in Dia.) (Incl: (1)EE22540 (1)EE30950)	60	MAK36AX5	WASHER
54	EAT103289	KIT, Input Shaft (w/o Pump) (16 Teeth Spline, 2.125in Dia.) (Incl: (1)EE22540 (1)EE30950)	61	NAT475012N	SEAL(early design of BOS-7305/ EE73050)
54	EAT106709	KIT, Input Shaft (w/Pump) (16 Teeth Spline, 2.125in Dia.) (Incl: (1)EE22540 (1)EE30950)	61	EAT127719	SEAL
54	EAT98693	KIT, Input Shaft (w/o Pump) (10 Teeth Spline, 1.969in Dia.) (Incl: (1)EE22550 (1)EE30950)	61	EAT127720	SEAL (34, 38 DS only)
55	MAK62AX474	CONE (DS 340, 380, 400)	62	N/A	YOKE
			63	EAT95206	NUT, Locking (34, 38 DS only)
			63	EAT95207	NUT, Locking (1-5/8in)
			63	EAT128049	NUT

Continued

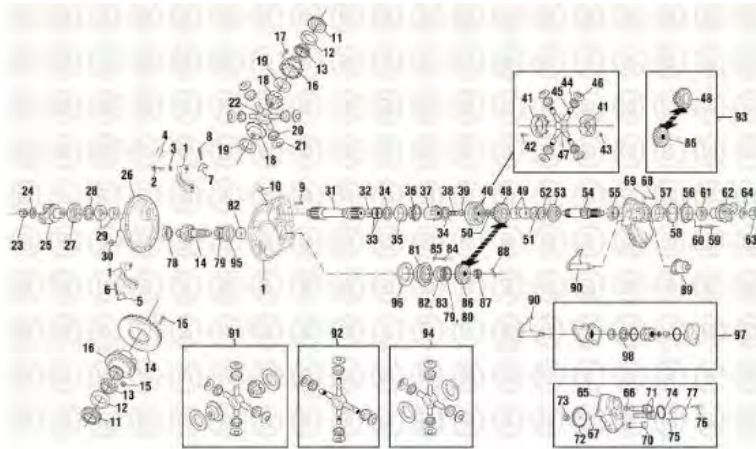


EATON DIFFERENTIALS – DS 34,38,340,380,400,341,381, 401,402,451 – FORWARD AXLE SINGLE REDUCTION

Continued

KEY	OEM REF.	DESCRIPTION	KEY	OEM REF.	DESCRIPTION
64	EAT85404	WASHER	81	EAT110733	ASSY, Pinion Bearing Cage (DS 341, 381, 401, 402, 451) (Incl: (1)ER71180)
64	EAT56864	WASHER (34, 38 DS only)	81	EAT107322	ASSY, Pinion Bearing Cage (Ratios 3.55 & 3.70) (Incl: (1)ER71180)
65	EAT45481	ASSEMBLY, Cover (w/o Pump)	81	EAT107324	ASSY, Pinion Bearing Cage (DS 340, 380, 400, 34 & 38 DS)
65	EAT102627	ASSEMBLY, Cover (w/ Pump)	82	MAK64AX42	CUP, Pinion, Bearing, Inner
66	MAK49AX235	PLUG (1in)	83	MAK64AX237	CUP, Pinion, Bearing, Outer (DS 341, 381, 401, 402, 451)
67	EAT9797	PLUG	83	MAK64AX42	CUP, Pinion, Bearing, Outer (DS 340, 380, 400, 34 & 38 DS)
68	EAT12063	SCREW (4 req'd)	84	EAT62158	SCREW
68	EAT90069	SCREW (4 req'd)	85	EAT37207	WASHER
68	EAT81855	SCREW (12pt.) (1 req'd)	86	EAT113556	GEAR (DS 340, 380, 400) (Use w/ EE94450 for Upgrade)
69	EAT90417	WASHER, Lock	86	EAT74991	GEAR (DS 340, 380, 400, 34 & 38 DS)
70	EAT102611	SCREEN, Magnetic Filter	86	EAT110845	GEAR, Pinion Drive (DS 341, 381, 401, 402, 451)
71	EAT106368	KIT, Lubrication Pump (Incl: Keys 72-77)	86	EAT46977	GEAR (Ratio 3.70) (DS 340, 380, 400, 34 & 38 DS)
72	EAT111448	GEAR, Drive	87	EAT118806	NUT, Slotted (1-5/8in-18)
73	EAT111451	NUT, Locking	87	EAT95206	NUT, Locking (1-1/2in-18) (34, 38 DS)
74	EAT102620	O-RING	87	EAT126182	NUT, Slotted, Pinion (M42 x 1.5) (Use w/ Metric Gear Sets)
75	EAT102617	PIN	87	EAT128049	NUT (M42 x 1.5)
76	EAT102618	SCREW	87	EAT127588	NUT (M39 x 1.5)
77	EAT90419	WASHER	88	EAT118807	PIN, Roll (Use w/ Metric Gear Sets)
78	MAK2719-15828	BEARING (Early) (DS 381, 401, 402, 451, 340, 380, 400, 34 & 38 DS)	89	EAT123216	ASSEMBLY, Lockout (w/ Pump)
78	MAK2719-127051	BEARING (DS 341, 402, 451)			
78	MAK2719-129175	BEARING (Use w/ Metric Gear Sets)			
79	MAK8235-72200C	CONE, Inner (34, 38 DS Only)			
79	MAK2719-85439	CONE, Inner			
80	MAK62AX439	CONE, Outer (DS 341, 381, 401, 402, 451)			
81	EAT110731	ASSY, Pinion Bearing Cag (Ratios 3.55 & 3.70) (Incl: (1)ER71180)			

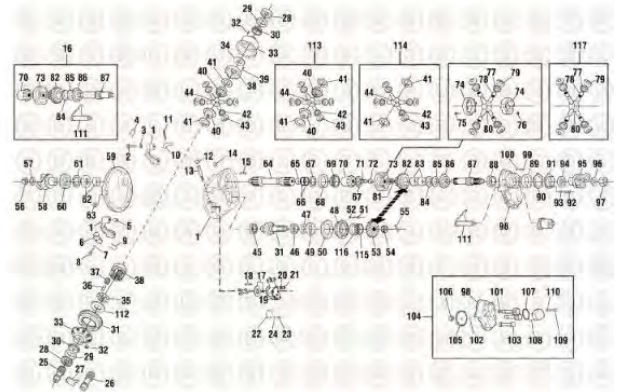
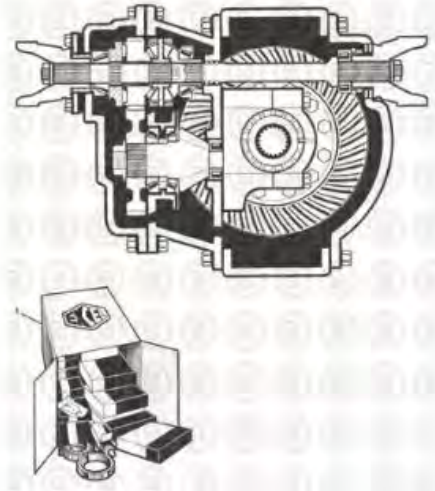
Continued



**EATON DIFFERENTIALS – DS 34,38,340,380,400,341,381,
401,402,451 – FORWARD AXLE SINGLE REDUCTION**

Continued

KEY	OEM REF.	DESCRIPTION	KEY	OEM REF.	DESCRIPTION
89	EAT123217	ASSEMBLY, Lockout (w/o Pump)	96	EAT62829	SHIM (.005in)
90	EAT45859	FORK, Lockout (w/o Pump)	96	EAT45462	SHIM (.010in)
90	EAT102613	FORK (w/ Pump)	96	EAT62830	SHIM (.020in)
91	EAT114469	KIT, Differential (DS 341) (Incl: (4)EE30590 (1)EE08030 (4)EE94420 (2)EE95880 (2)EE30340)	96	EAT45463	SHIM (.030in)
91	EAT114470	KIT, Differential (DS 381, 402) (Incl: (1)EE08030 (2)EE30340 (4)EE30590 (4)EE94420 (2)EE94470)	97	EAT34779	KIT, Lockout Body
91	EAT98853	KIT, Differential (DS 400, 401, 451) (Incl: (1)EE08030 (2)EE30340 (4)EE30590 (4)EE94420 (2)EE95920)	98	EAT96916	FELT, Piston Oiler (Used in EE06720 Kit)
91	EAT98850	KIT, Differential (34 DS, DS 340) (Incl: (1)EE08030 (2)EE30340 (4)EE30590 (4)EE94420 (2)EE94490)			
91	EAT85358	KIT, Differential (38 DS, DS 380) (Incl: (1)EE08030 (2)EE30340 (4)EE30590 (4)EE94420 (2)EE94480)			
92	EAT96381	KIT, Differential (Incl: (1)EE08020 (4)EE31080 (4)EE34160 (4)EE95820)			
92	EAT96380	KIT, Differential (34, 38 DS Only) (Incl: (1)EE94430 (1)EE34170 (1)EE31170 (1)EE08010)			
93	EAT113561	KIT, Drive Gear Upgrade (DS 340, 380, 400 Upgrade Drive Gears Original Gear Set) (Incl: (1)EE94450 (1)EE95990)			
94	EAT118748	KIT, Differential (Less Side Gear) (Incl: (1)EE08030 (2)EE30340 (4)EE30590 (4)EE94420)			
95	N/A	SPACER			
96	EAT45461	SHIM (.003in)			



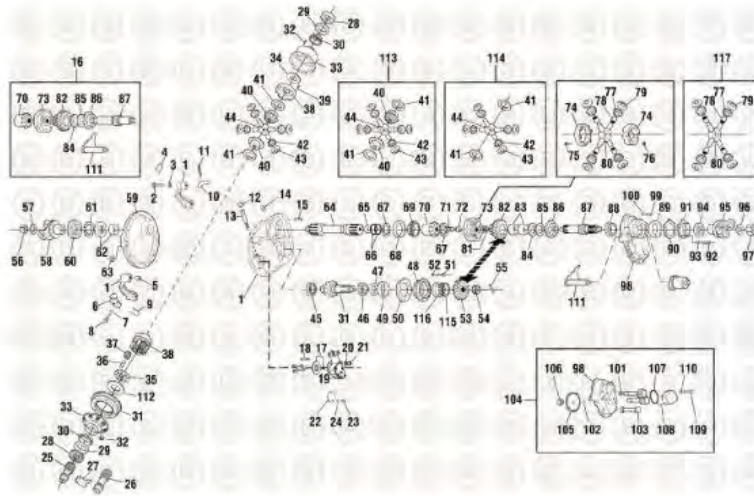
EATON DIFFERENTIALS – DT/DP 34,38,340,380,400,341, 381,401,402,451 – SERVICE KITS

KEY	OEM REF.	DESCRIPTION
1	EAT99045	KIT, Bearing and Seal (DT 340, 380) (Incl: (1)ER03850 (1)ER60200 (1)EE60230 (1)EE60240 (1)EE61670 (1)EE66300 (2)ER71180 (1)EE73050 (1)EE73060 (1)EE73560 (1)ER74050 (1)EE74090 (1)EE74240 (1)ER74900 (1)EE76370 (1)EE76380)
1	EAT99054	KIT, Bearing and Seal (34, 38 DT) (Incl: (1)ER03850 (1)ER60200 (1)EE61670 (1)EE66300 (2)ER71180 (2)EE73060 (1)EE73320 (1)EE73330 (1)EE73560 (2)ER74050 (1)EE74240 (1)ER74900 (1)EE76370 (1)EE76380)
1	EAT115125	KIT, Bearing and Seal (DT 341, 381, 401) (Incl: (1)ER03850 (1)ER60200 (1)EE61670 (1)EE66300 (1)EE71120 (1)ER71180 (1)ER71580 (1)EE71590 (1)ER71640 (1)EE71660 (1)EE73050 (1)EE73060 (1)EE73560 (1)EE73980 (1)EE74090 (1)EE74240 (1)ER74900)

EATON DIFFERENTIALS – DT/DP 34,38,340,380,400,341, 381,401,402,451 – FORWARD AXLE DOUBLE REDUCTION

KEY	OEM REF.	DESCRIPTION
1	EAT120925	ASSEMBLY, Differential Housing (34, 38 DT/DP)
2	EAT32732	SCREW (4 req'd)
3	EAT32912	WASHER (4 req'd)
4	EAT90538	WIRE
5	EAT32730	BUSHING (2 req'd)
6	EAT37745	LOCK (R.H.)
7	EAT37746	BUSHING,Lock (R.H.) (2 req'd)
8	EAT37747	SCREW (2 req'd)
9	EAT12563	WIRE
10	EAT13377	LOCK (L.H.)
11	EAT90873	PIN,Cotter
12	EAT9797	PLUG (Lower)
12	MAK79AX42	PLUG (Upper)
13	EAT113801	ASSEMBLY, Shaft and O-Ring
14	MAK49AX235	PLUG, Filler (3/4in P.T.)
15	EAT7641	PIN (2 req'd)
16	N/A	KIT, Input/Differential Includes Differential Assembly (1)EE21330 Shaft Kit (1)EE24110 Fork (1)EE06770 Clutch (1)EE96090 Side Gears (1)EE94450 (1)EE94500
16	N/A	KIT, Input/Differential (Current) Includes Differential Assembly (1)EE21330 Shaft Kit (1)EE24110 Fork (1)EE06770 Clutch (1)EE94400 Washer (1)EE31090 Side Gears (1)EE94450 (1)EE94500
17	EAT119855	SEAL and Spring Assembly (DT only)
18	EAT119863	STUD (2 req'd) (DT only)
19	EAT73503	MOTOR, Air-Shift
20	MAK37AX256	WASHER (DT only)
21	EAT63028	NUT (2 req'd) (DT only)

Continued

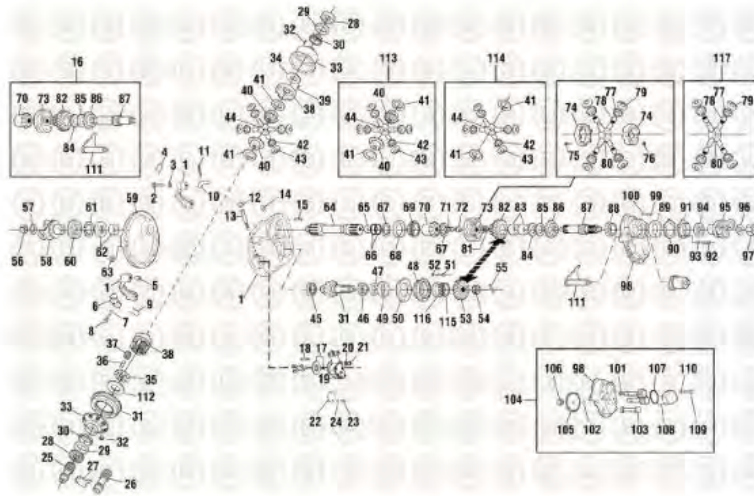


**EATON DIFFERENTIALS – DT/DP 34,38,340,380,400,341,
381,401,402,451 – FORWARD AXLE DOUBLE REDUCTION**

Continued

KEY	OEM REF.	DESCRIPTION	KEY	OEM REF.	DESCRIPTION
22	EAT45521	COVER (DP only)	40	EAT37072	GEAR, Side (DT/DP 340 & 34 DT/DP)
23	EAT20807	SCREW (2 req'd) (DP only)	40	EAT110525	GEAR, Side (DT/DP 341)
24	MAK36AX4	WASHER (2 req'd) (DP only)	40	EAT85486	GEAR, Side (2 req'd) (DT/DP 400, 401, 451)
25	EAT113596	CLUTCH (DT only)	41	EAT127386	WASHER, Thrust (2 req'd)
26	EAT113598	GEAR,Sun (DP only)	42	EAT104139	PINION (4 req'd)
27	EAT43178	RETAINER (DP only)	43	EAT27810	WASHER, Thrust (4 req'd)
28	EAT110243	NUT, Adjusting (L.H.) (DT/DP 341, 381, 401, 402, 451)	44	EAT38289	SPIDER
28	EAT56932	NUT, Adjusting (R.H.)	45	MAK2719-15828	BEARING
28	EAT27842	NUT, Adjusting (L.H.) (DT/DP 340, 380, 400 & 34, 38 DT/DP)	46	MAK8235-72200C	CONE, Inner (34, 38 DT/DP)
29	MAK64AX183	CUP (R.H.)	46	MAK2719-85439	CONE, Inner (DT/DP 341, 381, 401, 402, 451, 340, 380, 400)
29	MAK64AX281	CUP (L.H.)	47	N/A	SPACER
30	MAK62AX458	CONE (R.H.)	48	EAT110731	ASSEMBLY, Cage and Cup (Ratio 3.55 - 3.70) (DT/DP 341, 381, 401, 402, 451)
30	MAK62AX413	CONE (L.H.)	48	EAT110733	ASSEMBLY, Cage and Cup (Other Ratios) (DT/DP 341, 381, 401, 402, 451)
31	N/A	SET, Gear	48	EAT107322	ASSEMBLY, Cage and Cup (Ratios 3.55 & 3.70)(DT/DP 340, 380, 400 & 34, 38 DT/DP)
32	EAT87955	KIT, Bolt and Nut	48	EAT107324	ASSEMBLY, Cage and Cup (Other Ratios)(DT/DP 341, 380, 400 & 34, 38 DT/DP)
33	EAT27838	CASE, Gear Support (R.H.)	49	MAK64AX42	CUP, Inner
33	EAT110148	CASE, Gear Support (L.H.)	50	EAT45461	SHIM (.003in)
34	EAT43270	WASHER, Thrust	50	EAT62829	SHIM (.005in)
35	EAT56931	CLUTCH Plate	50	EAT45462	SHIM (.010in)
36	EAT27861	PIN (4 req'd)	50	EAT62830	SHIM (.020in)
37	EAT27835	GEAR (4 req'd)			
38	EAT101878	ASSEMBLY, Differential Case (Incl: (8)Case Bolts,Key 39)			
39	EAT96283	SCREW			
40	EAT110527	GEAR, Side (DT/DP 381, 402)			
40	EAT37069	GEAR, Side (DT/DP 380 & 38 DT/DP)			

Continued

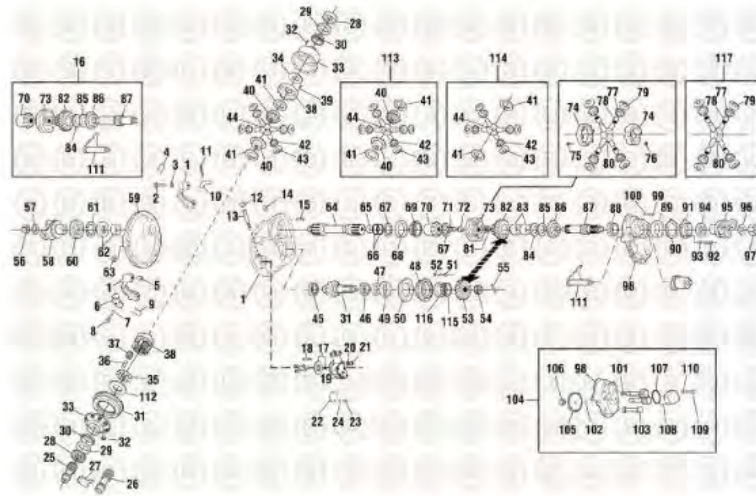


**EATON DIFFERENTIALS – DT/DP 34,38,340,380,400,341,
381,401,402,451 – FORWARD AXLE DOUBLE REDUCTION**

Continued

KEY	OEM REF.	DESCRIPTION	KEY	OEM REF.	DESCRIPTION
50	EAT45463	SHIM (.030in)	60	EAT127720	SEAL
51	EAT62158	SCREW	61	EAT45516	RING ,Retaining
52	EAT37207	WASHER	62	MAK67AX291	BEARING
53	EAT74991	GEAR, Helical (DT/DP 340, 380, 400 & 34, 38 DT/DP, D & E)	63	EAT77944	PLUG, Magnetic (1in)
53	EAT110845	GEAR, Helical (DT/DP 341, 381, 401, 402, 451)	63	MAK49AX188	PLUG, Magnetic (1in)
53	EAT46977	GEAR, Helical (34, 38 DT/DP, B & C)	64	EAT115123	ASSEMBLY, Output Shaft (34 Teeth Spline) (DT/DP 341, 381, 401, 402, 451) Includes Spring (1)EE16470 Bearing (1)EE06610 Nut (1)EE22520 O-Ring (1)EE29870 Shaft (1)EE22910-001(NSS)
54	EAT118806	NUT (1-5/8in-18, Slotted) (DT/DP 341, 381, 401, 402, 451)	64	EAT98603	ASSEMBLY, Output Shaft (10 Teeth Spline) (DT/DP 340, 380, 40 & 34, 38 DT/DP) Includes O-Rings (2)EE29870 Nut (1)EE22350 Shaft (1)EE22910-001(NSS)
54	EAT95206	NUT (1/2in Locking)	65	EAT48922	BUSHING (DT/DP 340, 380,400 & 34, 38 DT/DP)
54	EAT95207	NUT (1-5/8in Locking)	66	EAT46526	O-RING (2 req'd)
54	EAT118854	NUT (1-1/2in-18, Slotted) (DT/DP 340, 380, 400 & 34, 38 DT/DP)	67	FUL11364	RING, Retaining (2 req'd)
55	EAT118807	PIN (DT/DP 341, 381, 401, 402, 451)	68	EAT51232	CUP, Inner (DT/P 340, 380, 400 & 34, 38 DT/DP)
55	EAT118855	PIN (DT/DP 340, 380, 400 & 34, 38 DT/DP)	68	MAK2719-110811	CUP, Inner (DT/DP 341, 381, 401, 402, 451)
56	EAT95205	NUT	69	EAT51233	CONE (DT/DP 340, 380, 400 & 34/38 DT/DP)
57	EAT4327	WASHER	69	MAK8235-29675	CONE (DT/DP 341, 381, 401, 402, 451)
58	N/A	YOKE			
59	EAT107320	COVER (DT/DP 341, 381, 401, 402, 451) (Incl: (1)EE73060 (1)EE66300 (1)ER76300)			
59	EAT75336	COVER (3/4in Plug) (DT/DP 340, 380, 400 & 34, 38 DT/DP)			
59	EAT77750	COVER (1in Plug) (34, 38 DT/DP)			

Continued

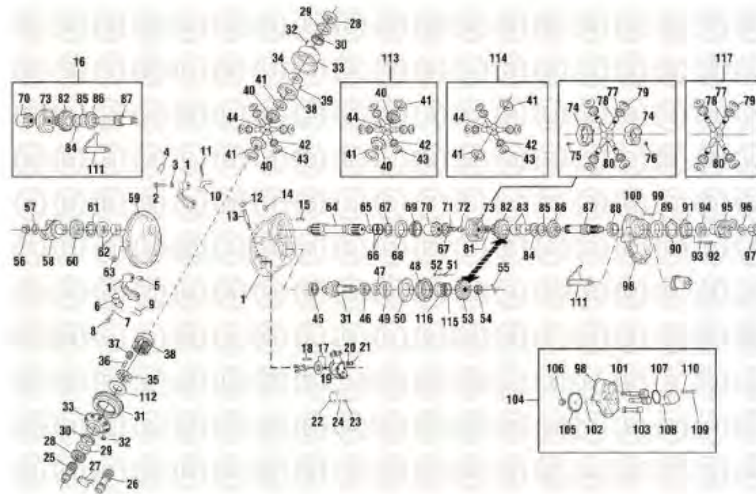


**EATON DIFFERENTIALS – DT/DP 34,38,340,380,400,341,
381,401,402,451 – FORWARD AXLE DOUBLE REDUCTION**

Continued

KEY	OEM REF.	DESCRIPTION	KEY	OEM REF.	DESCRIPTION
70	EAT85436	GEAR, Side (DT/DP 340, 380, 400)	75	EAT85438	SCREW (8 req'd) (5/16in-24 X 2-1/2in)
70	EAT110810	GEAR, Side (DT/DP 341, 381, 401, 402, 451)	76	EAT57637	NUT (8 req'd)
70	EAT85909	GEAR, Side (34, 38 DT/DP)	77	EAT95210	PINION (34, 38 DT/DP)
71	EAT51238	SPRING (DT/DP 341, 381, 401, 402, 451)	77	EAT95214	PINION (DT/DP 341, 381, 401, 402, 451, 340, 380, 400)
72	EAT51228	BEARING	78	EAT95215	BUSHING (DT/DP 340, 380, 400)
73	EAT95213	ASSEMBLY, Differential (34, 38 DT/DP) Includes Case Assembly (1)EAT 91850 Pinions (4)EE94430 Spider (1)EE08010 Bushings (4)EE34170 Nuts (8)EE02790 Screws (8)EE08440 Washers (4)EE31170	78	EAT95211	BUSHING (34, 38 DT/DP)
73	EAT104509	ASSEMBLY, Differential (DT/DP 340, 380, 400) Includes Case Assembly (1)EE21180 Pinions (4)EE95820 Spiders (1)EE08020 Bushings (4)EE34160 Washers (4)EE31080	79	EAT127785	WASHER, Thrust (DT/DP 341, 381, 401, 402, 451)
73	EAT213608	ASSEMBLY, Differential (DT/DP 341, 381, 401, 402, 451) Includes Case Assembl (1)EE21190 Pinions (4)EE95820 Spider (1)EE08070 Washers (4)EE30890	79	EAT85437	WASHER (DT/DP 340, 380, 400)
74	EAT94810	ASSEMBLY, Case (DT/DP 340, 380, 400) Includes Half Cases (2)EE21170 Nuts (8)EE02790 Screws (8)EE08440	79	EAT25968	WASHER, Thrust (34, 38 DT/DP)
74	EAT91850	ASSEMBLY, Case (34, 38 DT/DP) Includes Screws (8)EE08440 Nuts (8)EE02790	80	EAT95216	SPIDER (DT/DP 340, 380, 400)
			80	EAT127783	SPIDER (DT/DP 341, 381, 401, 402, 451)
			81	EAT85997	RING, Retaining (DT/ DP 341,381,401,402, 451,340,380,400)
			81	EAT46983	RING, Retaining (34, 38 DT/DP)
			82	EAT128042	GEAR, Side (DT/DP 341, 381, 401, 402, 451) Includes Bushings (2)EE34180
			82	EAT45476	GEAR, Side (34, 38 DT/DP) Includes Bushings (2)EE34190
			82	EAT85432	GEAR, Side (DT/DP 340, 380, 400) Includes Bushings (2)EE34180
			83	EAT85991	BUSHING (DT/DP 341, 381, 401, 402 451, 340, 380, 400)
			83	EAT48921	BUSHING (34, 38 DT/DP)

Continued

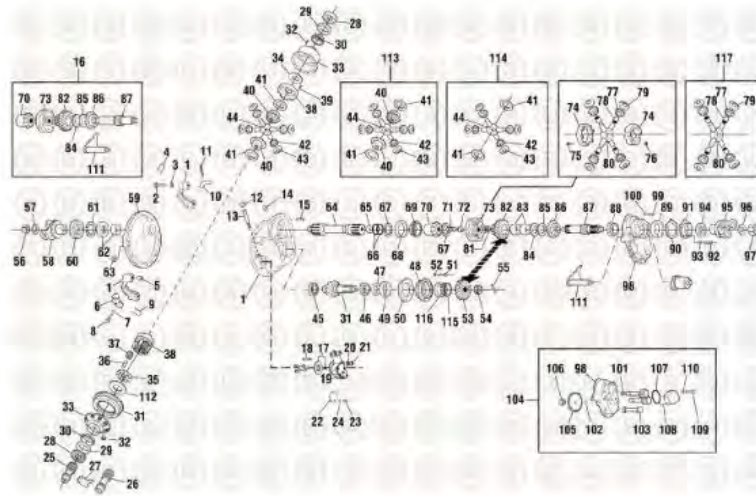


EATON DIFFERENTIALS – DT/DP 34,38,340,380,400,341, 381,401,402,451 – FORWARD AXLE DOUBLE REDUCTION

Continued

KEY	OEM REF.	DESCRIPTION	KEY	OEM REF.	DESCRIPTION
84	EAT85429	WASHER (DT/DP 341, 381, 401, 402, 451, 340, 380, 400)	90	EAT45499	SHIM (.010in)
84	EAT45477	WASHER (34, 38 DT/DP)	90	EAT85406	SHIM (.020in)
85	EAT45478	WASHER, 'D'	91	EAT211888	ASSEMBLY, Cover (w/ Pump) (DT/DP 341, 381, 401, 402, 451) (Incl: (1)ER71580 (1)EE73050)
86	EAT45480	CLUTCH (DT/DP 341, 381, 401, 402, 451) Includes Nut (1)EE22540 Washer (1)EE30950	91	EAT102629	ASSEMBLY, Cover (w/Pump) (DT/DP 340, 380, 400) (Incl: (1)EE60240 (1)EE73050)
87	EAT115122	KIT, Input Shaft (w/o Pump) (DT/DP 341, 381, 401, 402, 451) Includes Nut (1)EE25540 Washer(1)EE30950	92	MAK6AX1324X	SCREW (5 req'd)
87	EAT103289	KIT, Input Shaft (w/o Pump) (DT/DP 341, 380, 400) Includes Nut (1)EE22540 Washer (1)EE30950	93	MAK36AX5	WASHER (5 req'd)
87	EAT106709	KIT, Input Shaft (w/Pump) (DT/DP 340,380,400) Includes Nut (1)EE22540 Washer (1)EE30950	94	NAT475012N	SEAL (early design of BOS-7305/ EE73050)
87	EAT98693	KIT, Input Shaft (w/o Pump) (34, 38 DT/DP) Includes Nut (1)EE22550 Washer (1)EE30950	94	EAT127719	SEAL (DT/DP 341, 381, 401, 402, 451, 340, 380, 400)
88	MAK62AX474	CONE, Input Shaft (DT/DP 340, 380, 400)	94	EAT127720	SEAL (34, 38 DT/DP)
88	MAK62AX347	CONE, Input Shaft (DT/DP 341, 381, 401, 402, 451)	95	N/A	YOKE
88	MAK2719-83469	BEARING, Input Shaft (34, 38 DT/DP)	96	EAT85404	WASHER (DT/DP 341, 381, 401, 402, 451, 340, 380, 400)
89	MAK64AX289	CUP, Input Shaft (DT/DP 340, 380, 400)	96	EAT56864	WASHER (34, 38 DT/DP)
89	MAK8235-1228N638	CUP, Input Shaft	97	EAT95206	NUT (1-1/2in-18) (34, 38 DT/DP)
89	MAK2719-83462	CUP (34, 38 DT/DP)	97	EAT95207	NUT (1-5/8in-18) (DT/DP 341, 381, 401, 402, 451, 340, 380, 400)
90	EAT45498	SHIM (.003in)	97	EAT128049	NUT (M42 x 1.5)
90	EAT70709	SHIM (.005in)	97	EAT127588	NUT (M39 x 1.5)
			98	EAT45481	ASSEMBLY, Cover (w/o Pump)
			98	EAT102627	ASSEMBLY, Cover (w/Pump)
			99	EAT12063	SCREW (4 req'd)
			99	EAT90069	SCREW (5 req'd)
			100	EAT90417	WASHER (9 req'd)

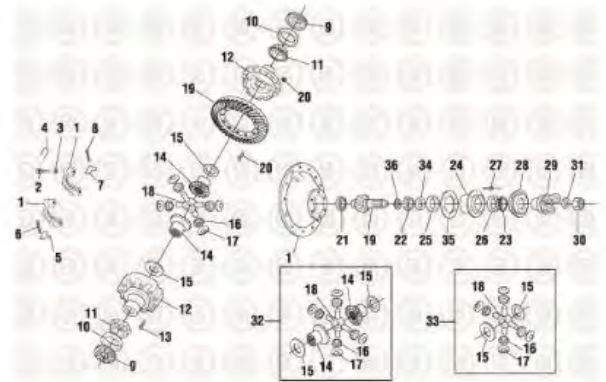
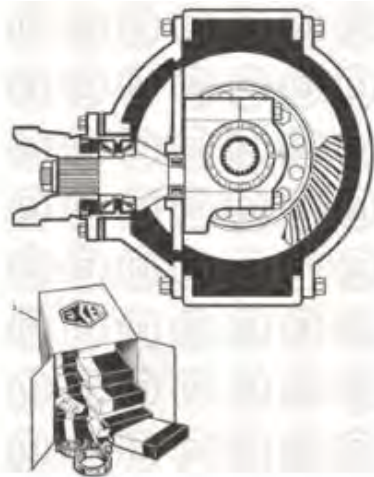
Continued



EATON DIFFERENTIALS – DT/DP 34,38,340,380,400,341, 381,401,402,451 – FORWARD AXLE DOUBLE REDUCTION

Continued

KEY	OEM REF.	DESCRIPTION	KEY	OEM REF.	DESCRIPTION
101	MAK49AX235	PLUG (3/4in P.T.)	113	EAT98853	KIT, Differential, Wheel (DT/DP 400, 401, 451) Includes Spider (1)EE08030 Pinions (4)EE94420 Side Gears (2)EE95920 Washers (2)EE30340 (4)EE30590
102	EAT9797	PLUG, Cup	113	EAT98850	KIT, Differential, Wheel (DT/DP 340 & 34 DT/DP) Includes Spider (1)EE08030 Pinions (4)EE94420 Side Gears (2)EE94490 Washers (2)EE30340 (4)EE30590
103	EAT102611	SCREEN	113	EAT85358	KIT, Differential, Wheel (DT/DP 380 & 38 DT/DP) Includes Spider (1)EE08030 Pinions (4)EE94420 Side Gears (2)EE94480 Washers (2)EE30340 (4)EE30590
104	EAT106368	KIT, Lubrication Pump (Incl: (1)EE29860)	114	EAT118748	KIT, Differential, Wheel Includes Spider(1)EE08030 (4)EE94420 Washers (2)EE30340 (4)EE30590
105	EAT111448	GEAR, Drive, Pump (DT/DP 341, 381, 401, 402, 451)	115	MAK62AX439	CONE, Outer (DT/DP 341, 381, 401, 402, 451)
105	EAT102609	GEAR, Drive, Pump (DT/DP 340,380,400)	115	MAK8235-72200C	CONE, Outer (DT/DP 340,380,400 & 34,38 DT/DP)
106	EAT111451	NUT, Locking (DT/DP 341, 381, 401, 402, 451)	116	MAK64AX237	CUP, Outer (DT/DP 341,381,401,402,451)
106	EAT63028	NUT, Locking (DT/DP 340, 380, 400)	116	MAK64AX42	CUP (DT/DP 340,380,400 & 34,38 DT/DP)
107	EAT102620	O-RING	117	EAT96381	KIT, Differential, Interaxle (DT/DP 340, 380, 400) Includes Spider (1)EE08020 Pinions (4)EE95820 Bushings (4)EE34160 Washers (4)EE31080
108	EAT102617	PIN	117	EAT96380	KIT, Differential, Interaxle (34, 38 DT/DP)
109	EAT102618	SCREW			
110	EAT90419	WASHER			
111	EAT45859	FORK, Lockout (w/o Pump)			
111	EAT102613	FORK, Lockout			
112	EAT127386	WASHER, Thrust			
113	EAT114469	KIT, Differential, Wheel (DT/DP 341) Includes Spider (1)EE08030 Pinions (4)EE94420 Side Gears (2)EE95880 Washers (2)EE30340 (4)EE30590			
113	EAT114470	KIT, Differential, Wheel (DT/DP 381, 402) Includes Spider (1)EE08030 Pinions (4)EE9442 Side Gears (2)EE94470 Washers (2)EE30340 (4)EE30590			



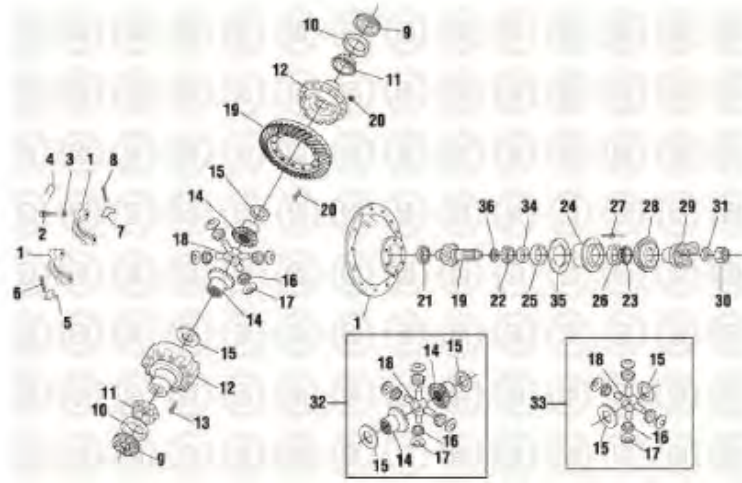
EATON DIFFERENTIALS – RS 34,38,340,380,400,341,381, 401,402,451 – SERVICE KITS

EATON DIFFERENTIALS – RS 34,38,340,380,400,341,381, 401,402,451 – REAR AXLE

KEY	OEM REF.	DESCRIPTION
1	EAT99041	KIT, Bearing and Seal (34, 38 RS)(RS 340, 380) (RS 341,381,401,402)(Early) Includes Bearings (1)ER60200 (1)ER90610 (1)ER74900 (1)EE73720 (1)BBG-6167 (2)ER74110 (2)EE74040 Seal (1)EE73070 Sealant (1)BSR-0385
1	EAT211223	KIT, Bearing and Seal (RS 341,381,402,451)(Current) Includes Bearings (1)ER60200 (1)ACU-9061 (1)BBG-7490 (1)BBG-7372 (1)BBG-6168 (1)BCU-7118 (1)EE74040 (1)EE74110 (1)BBG-7405 Seal (1)EE73070 Sealant (1)BSR-0385

KEY	OEM REF.	DESCRIPTION
1	EAT211219	ASSEMBLY, Housing and Cap
1	EAT67804	ASSEMBLY, Housing and Cap
2	EAT127179	SCREW (4 req'd)
3	EAT26772	WASHER (4 req'd)
4	EAT90538	WIRE, Lock (RS 340, 380, 400, 34, 38 RS Only)
5	EAT13377	LOCK (R.H.)
6	EAT90873	PIN, Cotter (R.H.)
7	EAT14275	LOCK (L.H.)
8	EAT90876	PIN, Cotter (L.H.)
9	EAT110243	NUT, Adjusting (R.H.) (RS 341, 381, 401, 402, 451)
9	EAT27842	NUT, Adjusting (R.H.) (RS 340, 380, 400 & 34, 38 RS)
9	EAT31562	NUT, Adjusting (R.H.)
10	MAK64AX183	CUP (R.H.)
10	MAK64AX72	CUP (L.H.)
11	MAK62AX159	CONE (L.H.)
11	MAK62AX413	CONE (R.H.)
12	EAT127823	ASSEMBLY, Differential Case (Ratio 3.08 - 3.25) (RS 341, 402, 451 only)
12	EAT103865	ASSEMBLY, Differential Case (Ratio 3.36 - 5.29) (Not sold separately, Use EE70340 Kit)
12	EAT88677	ASSEMBLY, Differential Case (Ratio 5.57 - 7.17)
13	EAT96271	SCREW (12 req'd)
14	EAT110527	GEAR, Side (RS 381, 402)
14	EAT37069	GEAR, Side (38 RS, RS 380)
14	EAT37072	GEAR, Side (34 RS, RS 340)
14	EAT110525	GEAR, Side (RS 341)
14	EAT85486	GEAR, Side (RS 400, 401, 451)
15	EAT127386	WASHER, Thrust (2 req'd)

Continued

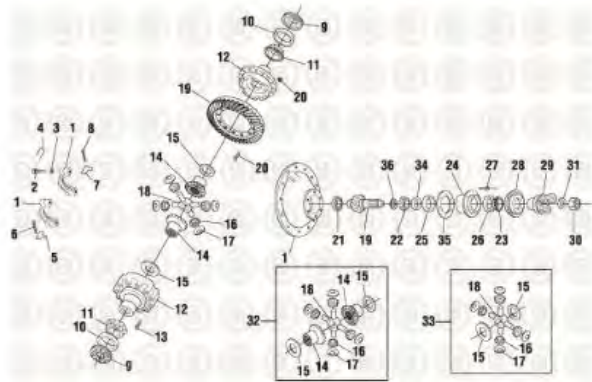


EATON DIFFERENTIALS – RS 34,38,340,380,400,341,381, 401,402,451 – REAR AXLE

Continued

KEY	OEM REF.	DESCRIPTION	KEY	OEM REF.	DESCRIPTION
16	EAT104139	PINION, Side	25	MAK64AX132	CUP, Inner (RS 341, 402, 451)
17	EAT27810	WASHER, Thrust (4 req'd)	26	MAK64AX132	CUP, Outer
18	EAT38289	SPIDER	27	EAT113325	SCREW (6 req'd)
19	N/A	SET, Gear	28	EAT127721	SEAL
20	EAT70745	KIT, Bolt (5/8in) (Incl: (16) EE08260 (16)EE01960)	29	N/A	YOKE
20	EAT69957	KIT, Bolt (1/2in)	30	EAT95205	NUT, Pinion (For 1-3/4in Spline)
21	MAK2719-15828	BEARING (RS 341, 381, 401, 402, 451, 340, 380, 400 & 34, 38 RS)	30	EAT95206	NUT, Pinion (For 1-31/32in Spline)
21	MAK2719-127051	BEARING (RS 341, 402, 451)	30	EAT127589	NUT, Pinion (M36 x 1.5) (Use w/ Metric Gear Sets)
21	MAK2719-129175	BEARING (Use w/ Metric Gear Sets)	31	EAT56864	WASHER
22	MAK2719-12496	CONE, Inner (RS 341, 381, 401, 402, 451,340, 380, 400 & 34, 38 RS)	31	EAT4327	WASHER (34,38 RS)
22	MAK8235-72200C	CONE, Inner (RS 341, 402, 451)	32	EAT114469	KIT,Differentials (RS 341) Includes Washers (4)EE30590 (2)EE30340 Spider (1)EE08030 Pinions (4)EE94420 Gears (2)EE95880
23	MAK2719-12496	CONE, Outer	32	EAT114470	KIT,Differentials (RS 381, 402) Includes Washers (4)EE30590 (2)EE30340 Spider (1)EE08030 Pinions (4)EE94420 Gears (2)EE94470
24	EAT127039	ASSEMBLY, Cage and Cup (Ratios 3.55, 3.70) (RS 341, 402, 451)	32	EAT98853	KIT,Differentials (RS 400,401,451) Includes Washers (4)EE30590 (2)EE30340 Spider (1)EE08030 Pinions (4)EE94420 Gears (2)EE95920
24	EAT75108	ASSEMBLY, Cage and Cup (Ratios 3.55, 3.70) (RS 341, 381, 401, 402 & 34, 38 RS)	32	EAT98850	KIT,Differentials (34 RS, RS 340) Includes Washers (4)EE30590 (2)EE30340 Spider (1)EE08030 Pinions (4)EE94420 Gears (2)EE94990
24	EAT107496	ASSEMBLY, Cage and Cup (Ratio 3.08, 3.25, 3.36, 3.90 - 7.17) (RS 341, 402, 451)			
24	EAT75110	ASSEMBLY, Cage and Cup (Ratio 3.08, 3.25, 3.36, 3.90 - 7.17) (RS 341, 381, 401, 402, 451, 340, 380, 400 & 34, 38 RS)			
25	MAK64AX42	CUP, Inner (RS 341, 381, 401, 402, 451, 340, 380, 400 & 34, 38 RS)			

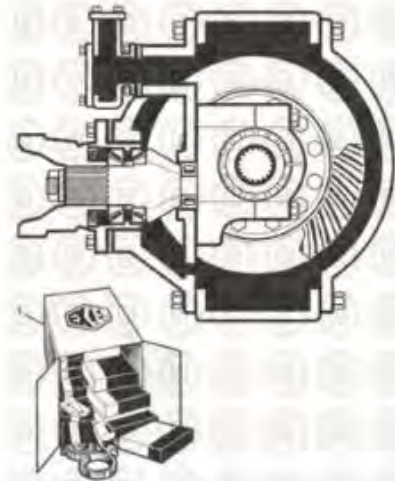
Continued



**EATON DIFFERENTIALS – RS 34,38,340,380,400,341,381,
 401,402,451 – REAR AXLE**

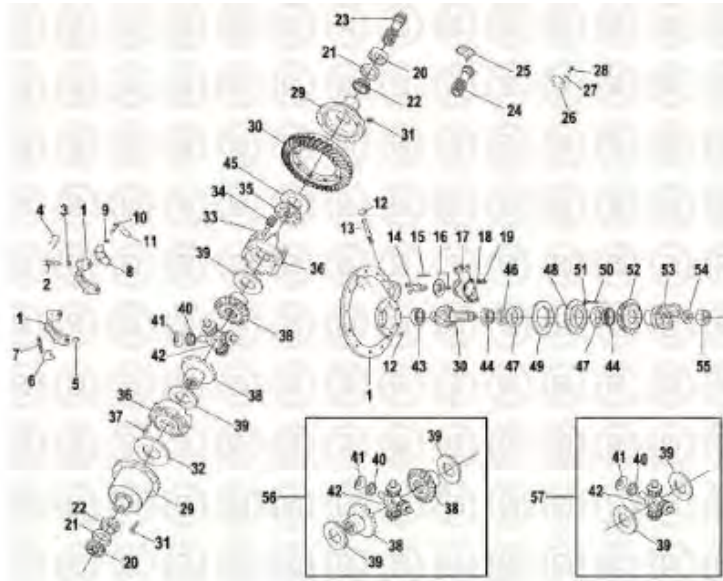
Continued

KEY	OEM REF.	DESCRIPTION
32	EAT85358	KIT, Differentials (38 RS, RS 380) Includes Washers (4)EE30590 (2)EE30340 Spider (1)EE08030 Pinions (4)EE94420 Gears (2)EE94480
33	EAT114469	KIT, Differential (RS 341) (Incl: (1)EE95880 (2)EE30340 (1)EE94420 (4)EE30590 (1)EE08030)
34	EAT118748	KIT, Differential (Less Side Gears) (Incl: (1)EE08030 (2)EE30340 (4)EE30590 (4)EE94420)
35	N/A	SPACER
35	EAT107567	SHIM (.003in)
35	EAT107568	SHIM (.005in)
35	EAT107569	SHIM (.010in)
35	EAT107570	SHIM (.020in)
36	EAT129169	SPACER, Yoke (Use w/ Metric Gear Sets)



**EATON DIFFERENTIALS – RT/RP 34,38,340,380,400,341,
 381,401,402,451 – SERVICE KITS**

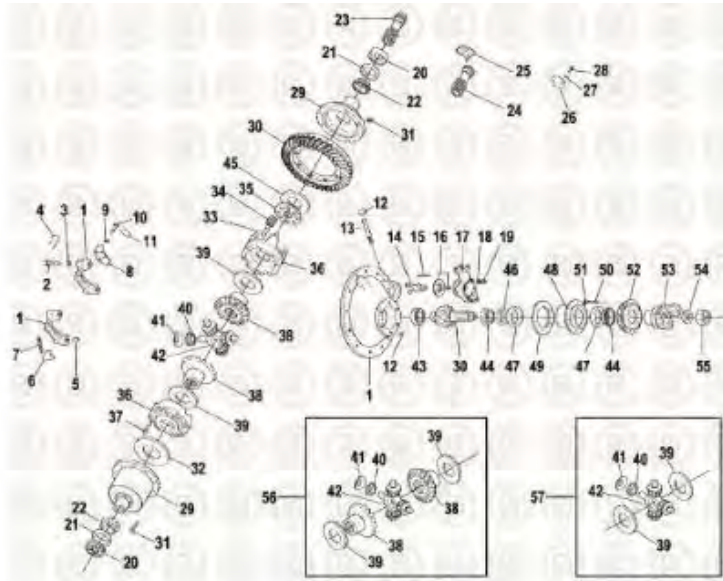
KEY	OEM REF.	DESCRIPTION
1	EAT99051	KIT, Bearing and Seal (34, 38 RT/RP) (RT/RP 341, 380, 400) (RT/RP 341, 381, 401, 402, 451) (Incl: (1)ER03850 (1)ER60200 (1)EE61670 (1)EE73080 (1)EE73560 (2)EE74040 (2)EE74110 (1)EE74240 (1)ER74900)



**EATON DIFFERENTIALS – RT/RP 34,38,340,380,400,341,
381,401,402,451 – REAR AXLE**

KEY	OEM REF.	DESCRIPTION	KEY	OEM REF.	DESCRIPTION
1	EAT67759	HOUSING and Caps	22	MAK62AX458	CONE (L.H.)
2	EAT32732	SCREW, Bearing Cap (2 req'd)	22	MAK62AX413	CONE (R.H.)
2	EAT127180	SCREW, Bearing Cap (2 req'd)	23	EAT113596	CLUTCH (RT Only)
3	EAT32912	WASHER (4 req'd)	24	EAT113598	GEAR, Sun (RP Only)
4	EAT90538	WIRE	25	EAT43178	RETAINER, Sun Gear (RP Only)
5	EAT32730	BUSHING (2 req'd)	26	EAT45521	COVER (RP Only)
6	EAT13377	LOCK (R.H.)	27	EAT20807	SCREW (RP Only) (2 req'd)
7	EAT90873	PIN, Cotter	28	MAK36AX4	WASHER, Lock (RP Only) (2 req'd)
8	EAT37745	LOCK (L.H.)	29	EAT110148	HOUSING, Gear Support (R.H.) (RT/RP 341, 381, 401, 402, 451)
9	EAT37746	BUSHING (2 req'd)	29	EAT116568	HOUSING, Gear Support (R.H.) (RT/RP 340, 380, 400, 34 & 38 RT/RP)
10	EAT37747	SCREW (L.H.) (2 req'd)	30	N/A	SET, Gear
11	EAT12563	WIRE	31	EAT87955	KIT, Bolt and Nut
12	EAT9797	PLUG (Lower)	32	EAT127386	WASHER, Thrust (R.H.)
12	MAK79AX42	PLUG (Upper)	33	EAT27861	PIN, Idler (4 req'd)
13	EAT113801	ASSEMBLY, Shaft and O-Ring (RT Only)	34	EAT27835	GEAR, Idler (4 req'd)
14	EAT32425	FORK Assembly (34, 38 RT)	35	EAT56931	CLUTCH Plate
15	EAT119863	STUD (2 req'd) (RT Only)	36	EAT101878	CASE Assembly, Differential (Incl: (8)Case Bolts,Key 37)
16	EAT119855	SEAL and Spring Assembly (RT Only)	37	EAT96283	SCREW (8 req'd)
17	EAT73507	MOTOR, Air-Shift (RT Only)	38	EAT110527	GEAR, Side (RT/RP 381, 402)
18	MAK37AX256	WASHER, Lock (RT Only) (2 req'd)	38	EAT37069	GEAR, Side (RT/RP 380 & 38 RT/RP)
19	EAT63028	NUT (RT Only) (2 req'd)	38	EAT37072	GEAR, Side (RT/RP 340 & 34 RT/RP)
20	EAT110243	NUT, Adjusting (R.H.) (RT/RP 341, 381, 401, 402, 451)	38	EAT110525	GEAR, Side (RT/RP 341)
20	EAT27842	NUT, Adjusting (R.H.) (RT/RP 340, 380, 400, 34 & 38 RT/RP)	38	EAT85486	GEAR, Side (RT/RP 400, 401, 451)
20	EAT56932	NUT, Adjusting (L.H.)			
21	MAK64AX183	CUP (L.H.)			
21	MAK64AX281	CUP (R.H.)			

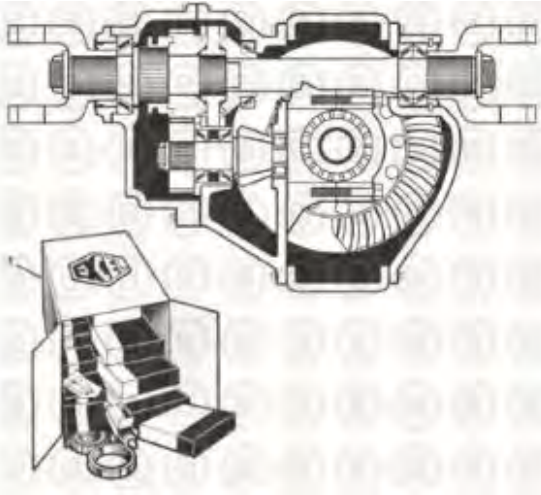
Continued



**EATON DIFFERENTIALS – RT/RP 34,38,340,380,400,341,
381,401,402,451 – REAR AXLE**

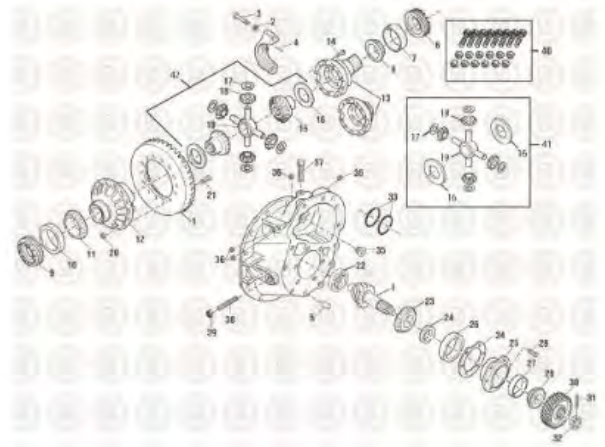
Continued

KEY	OEM REF.	DESCRIPTION	KEY	OEM REF.	DESCRIPTION
39	EAT127386	WASHER, Thrust (2 req'd)	56	EAT114469	KIT, Differential, Wheel (RT/RP 341) Includes Pinions (4)EE94420 Spider (1)EE08030 Sider Gears (2)EE95880 Washers (4)EE30590 (2)EE30340
40	EAT104139	PINION (4 req'd)	56	EAT114470	KIT, Differential, Wheel (RT/RP 381, 402) Includes Pinions (4)EE94420 Spider (1)EE08030 Side Gears (2)EE94470 Washers (4)EE30590 (2)EE30340
41	EAT27810	WASHER (4 req'd)	56	EAT98853	KIT, Differential, Wheel (RT/RP 400, 401, 451) Includes Pinion (4)EE94420 Spider (1)EE08030 Side Gears (2)EE95920 Washers (2)EE30340 (4)EE30590
42	EAT38289	SPIDER	56	EAT98850	KIT, Differential, Wheel (RT/RP 340, 34 RT/RP) Includes Pinion (4)EE94420 Spider (1)EE08030 Side Gears (2)EE94490 Washers (2)EE30340 (4)EE30590
43	MAK2719-15828	BEARING	56	EAT85358	KIT, Differential, Wheel (RT/RP 380, 38 RT/RP) Includes Pinion (4)EE94420 Spider (1)EE08030 Side Gears (2)EE94480 Washers (2)EE30340 (4)EE30590
44	MAK2719-12496	CONE (2 req'd)	57	EAT118748	KIT, Differential, Wheel Includes Pinions (4)EE94420 Spider (1)EE08030 Washers (2)EE30340 (4)EE30590
45	EAT43270	WASHER, Thrust (L.H.)			
46	N/A	SPACER			
47	MAK64AX132	CUP (2 req'd)			
48	EAT75108	ASSEMBLY, Cage (Ratios 3.5 & 3.70) (Incl: (2)EE74110)			
48	EAT75110	ASSEMBLY, Cage (Other Ratios) (Incl: (2)EE74110)			
49	EAT107567	SHIM (.003in)			
49	EAT107568	SHIM (.005in)			
49	EAT107569	SHIM (.010in)			
49	EAT107570	SHIM (.020in)			
50	EAT113325	SCREW (6 req'd)			
51	EAT37207	WASHER (6 req'd)			
52	EAT127721	SEAL (RT/RP 341, 381, 401, 402, 451)			
52	EAT119427	SEAL (RT/RP 340, 380, 400, 34 & 38 RT/RP)			
53	N/A	YOKE			
54	EAT56864	WASHER (RT/RP 341, 381, 401, 402, 451, 340, 380, 400)			
54	EAT4327	WASHER (34, 38 RT/RP)			
55	EAT95205	NUT, Pinion (1-1/4in-12)			
55	EAT95206	NUT, Pinion (1-1/2in-18)			



**EATON DIFFERENTIALS – DS/DA/DD 344,404,405,45
– SERVICE KITS**

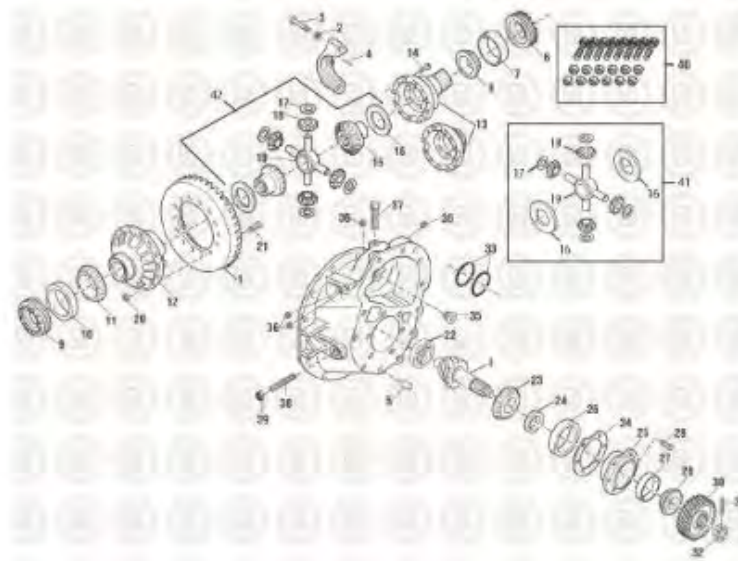
KEY	OEM REF.	DESCRIPTION
1	EAT216220	KIT, Bearing and Seal (DS/DA 344/404/405/454) Includes Bearings (1)EE73720 (1)EE90610 (1)EE73280 (1)ER71180 (1)EE74090 (1)EM71200 (1)ER74900 (1)ER71640 (1)EM73970 (1)EM91220 (2)ER60390 (1)ER60200 (2)ER60360 (1)ER71650 (1)EE74110 Shim Kit (1)EE70910-400 Washers (4)EE31240 (1)EE31310 (2)EE30340 Seals (1)EE72940 (1)EE72950 (1)EE72960 O-Rings (2)EE29580 (1)EE28270 (1)EE28290 (1)GRI-2785 Sealants (1)BSR-0385
1	EAT217463	KIT, Bearing and Seal (DD 404/405/454) Includes Bearings (1)EM91220 (1)EE76310 (1)BBG-7634 (2)ER60360 (1)ER71650 (1)EE74110 (2)ER60390 (1)EE73720 (1)EE90610 (1)ER71640 (1)BBG-7397 (1)ER71180 (1)EE74090 (1)EM71200 (1)BBG-7328 Washers (2)EE30340 (4)EE31240 (1)EE31310 Shim Kit (1)EE70910-400 Seals (1)EE72950 (1)EE72960 (1)EE72940 Sealants (1)BSR-0385 O-Rings (2)EE29580 (1)EE28270 (1)EE28290 (1)GRI-2785
2	N/A	KIT, Shim Includes Shims (1)EE72890-003 (1)EE72890-005 (1)EE72890-010 (1)EE72890-020 (1)EE72890-030



**EATON DIFFERENTIALS – DS/DA/DD 344,404,405,454
– FORWARD AXLE**

KEY	OEM REF.	DESCRIPTION
1	N/A	SET, Gear
2	EAT210288	WASHER
3	EAT210095	SCREW
4	EAT90873	PIN, Cotter
5	EAT7641	PIN, Dowel
6	EAT129130	ADJUSTER (All DS/DA Models)
6	EAT128616	ADJUSTER (DD 404, 405, 454)
7	EAT15092	CUP (DD 404/405/454)
7	MAK64AX183	CUP (All DS/DA Models)
8	MAK62AX413	CONE (All DS/DA Models)
8	EAT128604	CONE (DD 404/405/454)
9	EAT129128	ADJUSTER
10	MAK64AX72	CUP
11	MAK62AX159	CONE
12	EAT508653	ASSEMBLY, Case (DA/DS Models) (Ratio 2.64 - 3.25)
12	EAT508654	ASSEMBLY, Case (DA/DS Models) (Ratio 3.36 - 3.90)
12	EAT508655	ASSEMBLY, Case (DA/DS Models) (Ratio 4.11 - 4.88)
12	EAT508656	ASSEMBLY, Case (DS/DS Models) (Ratio 5.29 - 6.50)
12	EAT508724	ASSEMBLY, Case (DD 404/405/454) (Ratio 2.64 - 3.25)
12	EAT508725	ASSEMBLY, Case (DD 404/405/454) (Ratio 3.36 - 3.90)
12	EAT508726	ASSEMBLY, Case (DD 404/405/454) (Ratio 4.11 - 4.88)

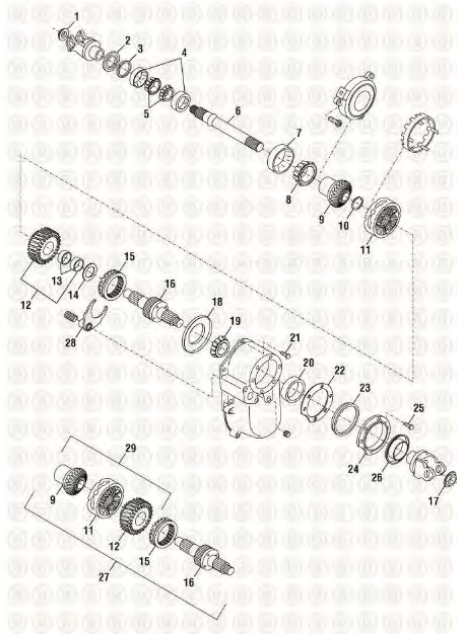
Continued



**EATON DIFFERENTIALS – DS/DA/DD 344,404,405,454
– FORWARD AXLE**

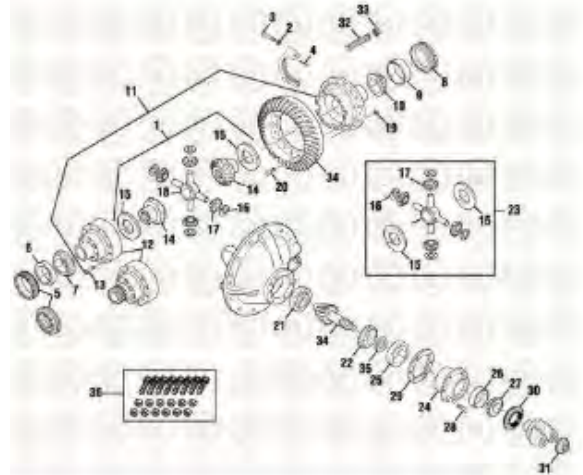
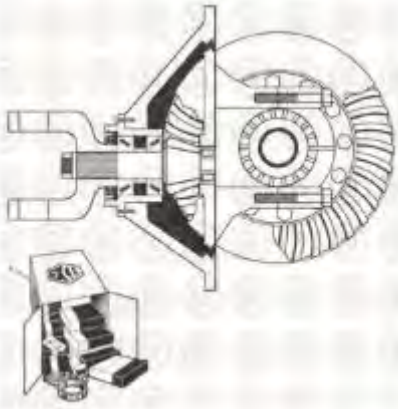
Continued

KEY	OEM REF.	DESCRIPTION	KEY	OEM REF.	DESCRIPTION
12	EAT508727	ASSEMBLY, Case (DD 404/405/454) (Ratio 5.29 - 6.50)	32	EAT126182	NUT, Slotted (M42 x 1.5)
13	EAT127498	CASE Half (R.H.) (All DS/DA Models)	33	EAT127545	O-RING
13	EAT128607	CASE Half (R.H.) (DD 404/405/454)	34	EAT127595	SHIM (.003in thk)
14	EAT127465	SCREW (DS/DA Models)	34	EAT127596	SHIM (.005in thk)
14	EAT128619	SCREW (DD 404/405/454)	34	EAT127597	SHIM (.010in thk)
15	EAT127368	GEAR, Side (41T Spline) (All Except DA/DS 344)	34	EAT127598	SHIM (.020in thk)
15	EAT127367	GEAR, Side (39T Spline) (DA/DS 344)	34	EAT127599	SHIM (.030in thk)
16	EAT127386	WASHER, Thrust, Side Gear	35	EAT19411	PLUG, Poppet Valve (P Model)
17	EAT127369	WASHER, Thrust, Spider Pinion	36	EAT90897	PLUG (P Model)
18	EAT127364	PINION, Spider	37	EAT127649	FILTER, Screen
19	EAT127359	SPIDER, Differential	38	EAT126193	SCREW, Thrust (454 Model)
20	MAK171AM5006	NUT	39	EAT210184	NUT, Jam
21	MAK2719-129686	SCREW	40	MAK2719-508652	KIT, Bolt Includes Screws (16)EE03560 Nuts (16)ENU-0407
22	MAK2719-127484	BEARING	41	EAT216228	KIT, Differential (w/o Side Gears) Includes Spider (1)EE07820 Pinions (4)EE75590 Washers (2)EE30340 (4)EE31240
23	MAK2719-85439	CONE, Inner	42	EAT216229	KIT, Differential (DS 404) Includes Spider (1)EE07820 Pinions (4)EE75590 Gears (2)EE75380 Washers (2)EE30340 (4)EE31240
24	N/A	SPACER			
25	EAT127601	ASSEMBLY, Cage, Pinion (Incl: (1)ER71180 (1)EE74110)			
26	MAK64AX42	CUP, Inner			
27	MAK64AX132	CUP, Outer			
28	EAT127535	CONE, Outer			
29	EAT210115	SCREW			
30	EAT127523	GEAR, Pinion, Helical			
31	EAT118807	PIN, Roll			



**EATON DIFFERENTIALS – DS/DA/DD 344,404,405,454
– FORWARD AXLE**

KEY	OEM REFERENCE	DESCRIPTION	KEY	OEM REFERENCE	DESCRIPTION
1	EAT127588	NUT (M39 x 1.5)	19	MAK62AX157	CONE
2	EAT127592	SEAL	20	MAK64AX52	CUP
3	EAT127538	RING, Retaining (.103in thk)	21	EAT210091	SCREW
3	MAK97AX267	RING, Retaining (.109in thk)	22	EAT127595	SHIM (.003in thk)
4	MAK64AX294	CUP	22	EAT127596	SHIM (.005in thk)
5	MAK8235-LM104949	CONE	22	EAT127597	SHIM (.010in thk)
6	EAT216227	KIT, Shaft Includes Shaft (1) Nut (1)EE22550	22	EAT127598	SHIM (.020in thk)
7	MAK8235-29630	CUP	22	EAT127599	SHIM (.030in thk)
8	MAK8235-29675	CONECONE (Use w/ EE96240 prior to June 2008)	23	EAT128703	SEAL (V-Ring)
8	EAT132060	CONE(Use w/ 132443 after June 2008)	24	EAT129575	COVER (Current)
9	EAT127645	GEAR, Side, Output (prior to June 2008)	24	EAT127602	COVER (Early)
9	EAT132443	GEAR, Side, Output (after June 2008)	25	EAT210115	SCREW
10	EAT85997	RING, Retaining	26	EAT127591	SEAL, Front
11	EAT128634	ASSEMBLY, Interaxle Differential	27	N/A	KIT, Front Section Includes Side Gears (1)EE96210 (1)EE96240 Sliding Clutch (1)EE96260 Assembly (1)EE21040 Input Shaft Kit (1)EE96230
11	EAT134192	ASSEMBLY, Interaxle Differential (Current)	27	N/A	KIT, Front Section Includes Side Gears (1)EE96210 (1)EE96340 Sliding Clutch (1)EE96260 Assembly (1)EE21040 Input Shaft Kit (1)EE96230
12	EAT127495	GEAR, Side, Input	28	EAT129783	FORK, Shift
13	EAT129371	BUSHING	29	EAT504404-1	KIT, Input/Differential (Minor) Includes Differential Assembly (1)960254 Side Gears (1)EE96240 (1)EE96210
14	EAT128702	WASHER, Thrust	29	EAT504404-5	KIT, Input/Differential (Minor) (After June 2008) Includes Differential Assembly (1)960254 Side Gears (1)EE96340 (1)EE96210
15	EAT127510	CLUTCH, Sliding, Lockout			
16	EAT216226	KIT, Shaft, Input Includes Shaft (1) Washer (1)EE31310 Nut (1)EE22540			
17	EAT128049	NUT (M42 x 1.5)			
18	EAT128700	SLINGER			
18	EAT128700	SLINGER			



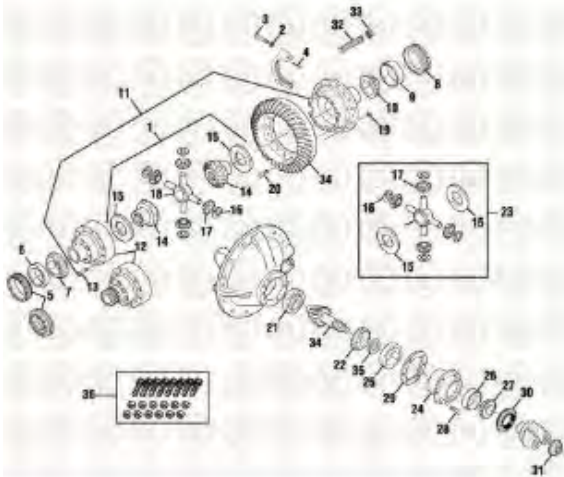
**EATON DIFFERENTIALS – RS/RA/RD 344,404,405,454
– SERVICE KITS**

KEY	OEM REF.	DESCRIPTION
1	EAT216221	KIT, Bearing and Seal (RS/RA 344, 404, 405, 454) Includes Bearings (1)BBG-7490 (1)ACU-9061 (1)BBG-7372 (1)BBG-7329 (1)BCU-7118 (1)BBG-7407 (1)ER60200 (1)EE74040 (1)EE74110 Washers (2)EE30340 (4)EE31240 Shim Kit (1)EE70910-400 Sealants (1)EE72950 (1)BSR-0385
1	EAT217464	KIT, Bearing and Seal (RD 404, 405, 454) Includes Bearings (1)EE76310 (1)BBG-7634 (1)EE90610 (1)ER74070 (1)R71180 (1)ER73720 (1)EE74040 (1)EE74110 (1)BBG-7329 Washers (2)EE30340 (4)EE31240 Shim Kit (1)EE70910-400 Sealant (1)BSR-0385 Seals (1)EE72950
2	N/A	KIT, Shim Includes Shims (1)EE72890-003 (1)EE72890-005 (1)EE72890-010 (1)EE72890-020 (1)EE72890-030

**EATON DIFFERENTIALS – RS/RA/RD 344,404,405,454
– REAR AXLE**

KEY	OEM REF.	DESCRIPTION
1	EAT216229	KIT, Differential (RA/RS/RD 404, 405, 454)
1	EAT217461	KIT, Differential (RA & RS 344)
2	EAT210288	WASHER
3	EAT210095	SCREW
4	EAT90873	PIN, Cotter
5	EAT129130	ADJUSTER (RA/RS Models)
5	EAT128616	ADJUSTER (RD 404, 405, 454)
6	EAT15092	CUP (RD 404, 405, 454)
6	MAK64AX183	CUP (RA/RS Models)
7	MAK62AX413	CONE (RA/RS Models)
7	EAT128604	CONE (RD 404, 405, 454)
8	EAT129128	ADJUSTER
9	MAK64AX72	CUP
10	MAK62AX159	CONE
11	EAT508653	ASSEMBLY, Case (RA/RS Models) (Ratio 2.64 - 3.25)
11	EAT508654	ASSEMBLY, Case (RA/RS Models) (Ratio 3.36 - 3.90)
11	EAT508655	ASSEMBLY, Case (RA/RS Models) (Ratio 4.11 - 4.88)
11	EAT508656	ASSEMBLY, Case (RA/RS Models) (Ratio 5.29 - 6.50)
11	EAT508724	ASSEMBLY, Case (RD 404, 405, 454) (Ratio 2.64 - 3.25)
11	EAT508725	ASSEMBLY, Case (RD 404, 405, 454) (Ratio 3.36 - 3.90)
11	EAT508726	ASSEMBLY, Case (RD 404, 405, 454) (Ratio 4.11 - 4.88)
11	EAT508727	ASSEMBLY, Case (RD 404, 405, 454) (Ratio 5.29 - 6.50)
12	EAT127498	CASE HALF (R.H.) (RA/RS Models)

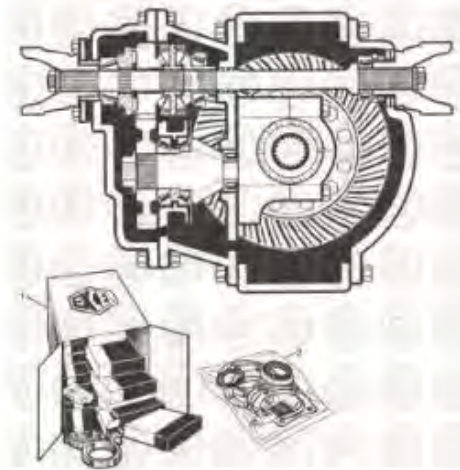
Continued



EATON DIFFERENTIALS – RS/RA/RD 344,404,405,454 – REAR AXLE

Continued

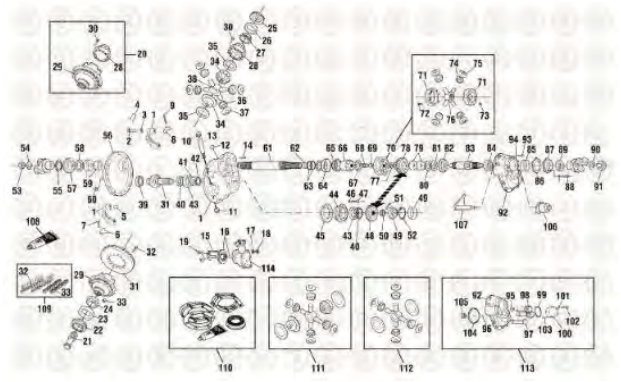
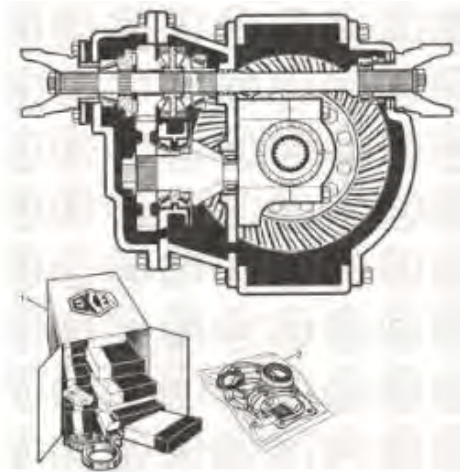
KEY	OEM REF.	DESCRIPTION
12	EAT128607	CASE HALF (RD 404, 405, 454)
13	EAT127465	SCREW (RA/RS Models)
13	EAT128619	SCREW (RD Models)
14	EAT127368	GEAR, Side (RA/RS/RD 404, 405, 454)
14	EAT127367	GEAR, Side (RA/RS 344) (39 Spline)
15	EAT127386	WASHER, Thrust (Side Gear)
16	EAT127369	WASHER, Thrust (Spider Pinion)
17	EAT127364	PINION, Spider
18	EAT127359	SPIDER, Differential
19	MAK171AM5006	NUT
20	MAK2719-129686	SCREW
21	MAK2719-127485	BEARING
22	MAK62AX250	CONE
23	EAT216228	KIT,Differential (w/o Side Gears) Includes Spider (1)EE07820 Pinions (4)EE75590 Washers (2)EE30340 (4)EE31240
24	EAT127600	ASSEMBLY, Cage
25	MAK64AX42	CUP
26	MAK64AX132	CUP
27	MAK2719-12496	CONE
28	EAT210115	SCREW
29	EAT216225	KIT, Seal/Shim Includes Seal (1)EE72950 Shims (2) EE72890-003 (2) EE72890-005 (2)EE72890-010 (2)EE72890-020 Sealant (1)BSR-0385
30	EAT127591	SEAL
31	EAT127589	NUT, Pinion (M36 x 1.5)
32	EAT126193	SCREW, Thrust (RA/RS/RD 454)
33	EAT210184	NUT
34	N/A	SET,Gear
35	N/A	SPACER
36	MAK2719-508652	KIT, Bolt (Incl: (16)EE03560 (16)ENU-0407)



EATON DIFFERENTIALS – DD/DS 461,521,581,601 – SERVICE KITS

KEY	OEM REF.	DESCRIPTION
1	EAT217621	KIT, Bearing & Seal (DD) (Incl: (1)BSR-0385 (1)GKP-3497 (1)BBG-6076 (1)BBG-6145 (1)BBG-6174 (2)BCU-7118 (1)BBG-7157 (1)BCU-7158 (2)BBG-7407 (1)BCU-7624 (1)BBG-7625 (1)BCU-7626 (1)BBG-7627 (1)BCU-7631 (1)BBG-7632 (1)EE10620-950 (1)EF27830 (2)EE28180 (1)EE28260 (1)EE29860 (2)EE30760 (2)EE30960 (4)EE30970 (4)EE30990 (1)EE31050 (1)EE73120 (2)EE34130 (1)EE34140 (1)EE34830 (1)EE44630 (1)EE51010 (1)EE72870-003 (1)EE72870-005 (1)EE72870-010 (1)EE72870-020 (1)EE72870-030 (1)EE72880-003 (1)EE72880-005 (1)EE72880-010 (1)EE72880-020 (1)EE73130)
1	EAT122437	KIT, Bearing & Seal (DS) Includes Bearings (1)EM75020 (1)BCU-7631 (1)EE48090 (1)EE76320 (1)BBG-6174 (2)ER74070 (2)ER71180 (1)BBG-6145 (1)BBG-6076 (1)ER71580 (1)BCU-7626 (1)BBG-7627 (1)BBG-7157 Spacers (1)EE10620-950 Shims (1)EE72870-003 (1)EE72870-005 (1)EE72870-010 (1)EE72870-020 (1)EE72880-003 (1)EE72880-005 (1)EE72880-010 O-Rings (2)EE30760 (1)EE29860 Seals (1)EE73050 (1)EE73030 Bushings (2)EE34130 (1)EE34140 Washers (1)EE30370 (2)EE30960 (4)EE30970 (1)EE30980 (4)EE30990 (1)EE31050 (1)EE44630 Sealant (1)BSR-0385 Screen (1)EE51010 Rings (2)EE28180 (1)EF27830 (1)EE28260

Continued



**EATON DIFFERENTIALS – DD/DS 461,521,581,601
– SERVICE KITS**

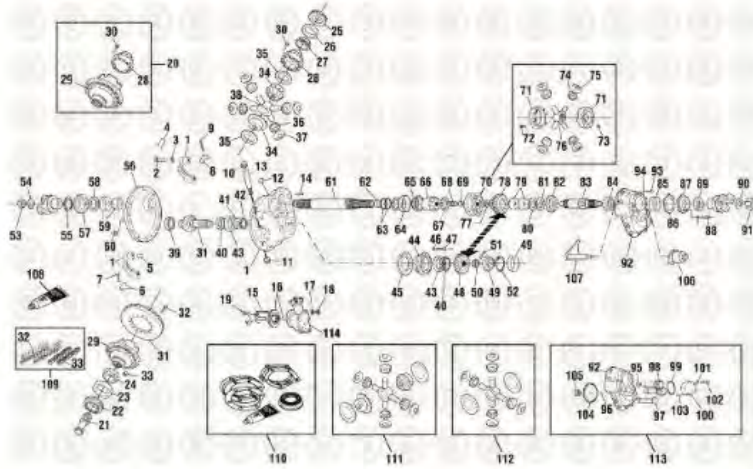
Continued

KEY	OEM REF.	DESCRIPTION
1	EAT122421	KIT, Bearing & Seal (DT/DP) (Incl: (1)BSR-0385 (1)GKP-3497 (1)BBG-6076 (1)BBG-6145 (1)BBG-6174 (2)BCU-7118 (1)BBG-7157 (1)BCU-7158 (2)BBG-7407 (1)BCU-7624 (1)BBG-7625 (1)BCU-7626 (1)BBG-7627 (1)BCU-7631 (1)BBG-7632 (1)EE10620-950 (2)EE27830 (2)EE28180 (1)EE28260 (1)EE30370 (2)EE30760 (1)EE31050 (3)EE31060 (4)EE31070 (2)EE34130 (1)EE34140 (1)EE44630 (1)EE51010 (1)EE72870-003 (1)EE72890-005 (1)EE72870-010 (1)EE72870-020 (1)EE72870-030 (1)EE72880-003 (1)EE72880-005 (1)EE72880-010 (1)EE72880-020 (1)EE73030 (1)EE73050)
2	EAT118111	KIT, Seal & Shim (DS) (Incl: (1)BSR-0385 (1)EE72870-003 (1)EE72870-005 (1)EE72870-010 (1)EE72870-020 (1)EE72880-003 (1)EE72880-005 (1)EE72880-010 (1)EE73030 (1)EE73050)
2	EAT118119	KIT, Seal & Shim (DT/DP) (Incl: (1)BSR-0385 (1)EE15080 (1)EE72870-003 (1)EE72870-005 (1)EE72870-010 (1)EE72870-020 (1)EE72870-030 (1)EE72880-003 (1)EE72880-005 (1)EE72880-010 (1)EE72880-020 (1)EE73030 (1)EE73050)

**EATON DIFFERENTIALS – DD/DS 461,521,581,601
– FORWARD-REAR DIFFERENTIAL**

KEY	OEM REF.	DESCRIPTION
1	EAT106710	KIT, Differential Carrier & Bearing Cap Incl: Keys 2-5, 10-18)
2	EAT32732	SCREW, Bearing Cap
3	EAT32912	WASHER, Flat
4	EAT12563	LOCKWIRE
5	EAT32730	BUSHING, Dowel
6	EAT45448	LOCK, Bearing Cap Adjuster (R.H.)
7	EAT210601	SCREW
8	EAT14275	LOCK, Bearing Cap Adjuster (L.H.)
9	EAT90876	PIN, Cotter (L.H.)
10	MAK79AX42	PLUG, Expansion (Upper)
11	EAT9797	PLUG, Expansion (Lower)
12	MAK49AX235	PLUG, Filler
13	EAT113801	ASSEMBLY, Shift Fork Shaft
14	EAT7641	PIN, Carrier Cover Dowel
15	EAT119863	STUD, Shift Unit Mounting
16	EAT119855	SEAL & Spring Assembly
17	MAK37AX256	WASHER, Flat
18	EAT63028	NUT, Stud
19	EAT84508	FORK, Shift (w/ Roller)
20	EAT217619	KIT, Wheel Differential Case (Ratio 3.55 - 4.11)
20	EAT217620	KIT, Wheel Differential Case (Ratio 4.33 - 6.67)
21	EAT935088	CLUTCH, Sliding
22	EAT82451	ADJUSTER, Differential Bearing (R.H.)
23	EAT21632	CUP, Differential (R.H.)
24	MAK2719-102660	CONE, Differential (R.H.)
25	EAT21637	ADJUSTER, Differential Bearing (L.H.)

Continued

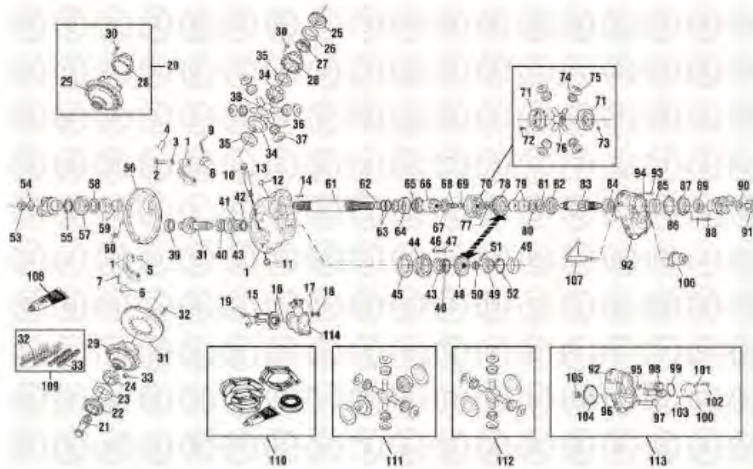


EATON DIFFERENTIALS – DD/DS 461,521,581,601– FORWARD-REAR DIFFERENTIAL

Continued

KEY	OEM REF.	DESCRIPTION	KEY	OEM REF.	DESCRIPTION
26	EAT15092	CUP, Differential (L.H.)	45	EAT45463	SHIM (.030in thk)
27	EAT27876	CONE, Differential (L.H.)	46	EAT37207	WASHER, Lock
28	EAT108138	CASE, Half (L.H.) (DT/DP Only)	47	EAT62158	SCREW, Bearing Cage
28	EAT86777	CASE, Differential (Plain Half)	48	EAT119995	GEAR, Helical Pinion
29	EAT126301	CASE Half (R.H.) (DT/DP Only)	49	MAK2719-78916	BEARING, Outer Pinion Support
29	EAT128980	CASE, Differential (Flanged Half) (Ratios 3.55 - 4.11)	50	EAT126182	NUT, Pinion Shaft End
29	EAT128981	CASE, Differential (Flanged Half) (Ratios 4.33 - 6.67)	51	EAT118807	PIN, Pinion Nut Spring
30	EAT88503	SCREW, Differential	52	EAT78937	RING,Retaining
31	N/A	SET,Gear	53	EAT210508	NUT, Output Shaft
32	EAT67586	SCREW	54	EAT210509	WASHER, Output Shaft
33	ROKNL-110-1	NUT	55	EAT78922	WASHER, Rear Bearing Retaining
34	EAT118959	GEAR, Side (DT/DP)	56	EAT107863	ASSEMBLY, Axle Housing Cover (Incl: Keys 57-59)
34	EAT86784	GEAR, Side (DS 480 P)	57	EAT210737	SEAL, Output Shaft Oil
34	EAT93401	GEAR, Side (DS)	58	EAT78937	RING, Retaining
35	EAT27274	WASHER, Thrust, Side Gear	59	MAK2719-78936	BEARING, Output Shaft
36	EAT86780	GEAR,Pinion	60	MAK49AX188	PLUG, Filler, Magnetic (1in)
37	EAT86781	WASHER, Thrust, Side Pinion	60	MAK49AX234Z	PLUG, Filler (1/2in)
38	EAT86778	SPIDER	61	EAT122419	KIT, Output Shaft (Incl: Keys 53,54,63,67)
39	MAK2719-126187	BEARING, Pinion	62	EAT48922	BUSHING, Output Shaft
40	MAK62AX250	CONE, Pinion	63	EAT78931	O-RING, Output Shaft
41	EAT78904	SPACER, Pinion Bearing	64	EAT24328	CUP, Output Shaft
42	N/A	SPACER	65	EAT24330	CONE, Output, Shaft
43	MAK64AX42	CUP, Pinion	66	EAT78911	GEAR, Side, Output Shaft
44	EAT78914	ASSEMBLY, Cage (Incl: Key 43)	67	FUL11364	RING, Retaining, Side Gear
45	EAT45461	SHIM (.003in thk)	68	EAT127095	SPRING, Output Shaft Compression
45	EAT62829	SHIM (.005in thk)			
45	EAT45462	SHIM (.010in thk)			
45	EAT62830	SHIM (.020in thk)			

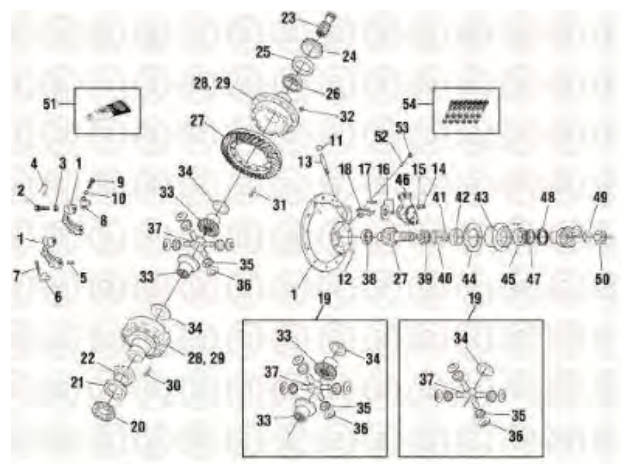
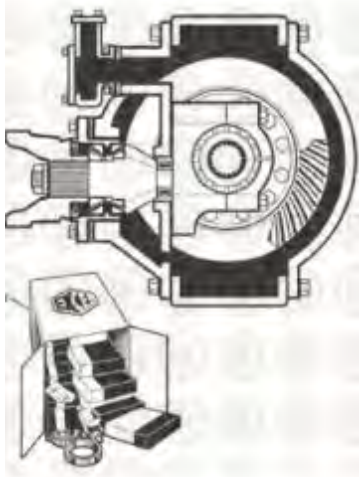
Continued



EATON DIFFERENTIALS – DD/DS 461,521,581,601 – FORWARD-REAR DIFFERENTIAL

Continued

KEY	OEM REF.	DESCRIPTION	KEY	OEM REF.	DESCRIPTION
69	EAT51228	BEARING, Thrust, Output Shaft	92	EAT103536	ASSEMBLY, Carrier Cover (Incl: Keys 95-96)
70	EAT512845	DIFFERENTIAL, Assembly, Interaxle (Incl: Keys 71-76)	93	EAT90069	SCREW, Carrier Cover (Short)
71	EAT211252	ASSEMBLY, Interaxle Case (Incl: (8)EE02790 (8)EE08820)	93	EAT9309	SCREW, Carrier Cover (Long)
72	EAT57636	SCREW, Case	93	EAT81855	SCREW, Carrier Cover (Socket Head)
73	EAT57637	NUT, Case(5/16in-24), Locking (8 Req'd)	94	EAT90417	WASHER, Lock
74	EAT95218	PINION, Side	95	MAK49AX235	PLUG, Pipe
75	EAT126180	WASHER, Thrust, Side Pinion	96	EAT9797	PLUG, Expansion
76	EAT130904	SPIDER	97	EAT102611	SCREEN, Magnetic Filter
77	EAT78909	RING, Retaining, Helical Side Gear	98	EAT102625	ASSEMBLY, Pump Gear and Shaft
78	EAT113331	GEAR, Side Gear and Bushing (Incl: (1)EE34130)	99	EAT102620	O-RING, Cover
79	EAT75063	BUSHING, Helical Side Gear	100	EAT102607	COVER, Lube Pump
80	EAT79034	WASHER, Helical Side Gear	101	EAT90419	WASHER, Lock
81	EAT56360	WASHER, 'D', Helical Side Gear	102	EAT102618	SCREW, Cover
82	EAT119948	CLUTCH, Sliding, Lockout	103	EAT102617	PIN, Dowel, Cover
83	EAT122418	KIT, Input Shaft (Incl: EE22240)	104	EAT119946	GEAR, Pump Drive
84	MAK8235-JM511946	CONE, Input Shaft	105	EAT111451	NUT, Lock, Drive Gear
85	MAK8235-1228N638	CUP, Input Shaft	106	EAT123218	ASSEMBLY, Lockout, Air-Operated
86	EAT78918	SHIM (.003in thk)	107	EAT103529	ASSEMBLY, Shift Fork and Push Rod
86	EAT78919	SHIM (.005in thk)	108	MAK342SX32	SEALANT
86	EAT78920	SHIM (.010in thk)	109	EAT70745	KIT, Bolt (5/8IN) (Incl: (16)EE08260 (16)BNU-0196)
86	EAT113130	SHIM (.020in thk)	110	EAT118111	KIT, Oil Seal & Shim (DS)
87	EAT111691	ASSEMBLY, Input Bearing Cover (Incl: Keys 85 & 89)	110	EAT118119	KIT, Oil Seal & Shim (DT/DP)
88	EAT126243	SCREW, Bearing Cover	111	EAT114472	KIT, Wheel Differential (w/ Side Gears) (Incl: Keys 34-38)
89	EAT210736	SEAL, Oil, Input Shaft	112	EAT118749	KIT, Wheel Differential (w/o Side Gears) (Incl: Keys 35-38)
90	EAT126242	WASHER, Input Shaft Nut	113	EAT121302	KIT, Lube Pump Replacement (Incl: Keys 98-105)
91	EAT126155	NUT, Input Shaft	114	EAT73503	MOTOR,Air-Shift



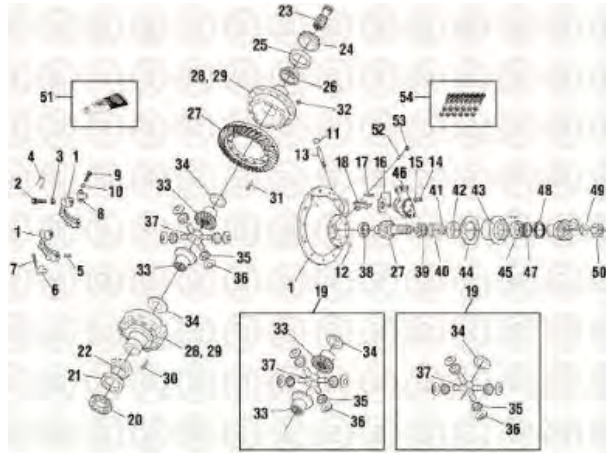
EATON DIFFERENTIALS – RD/RS 461,521,581 – SERVICE KITS

EATON DIFFERENTIALS – RD/RS 461,521,581 – REAR-REAR DIFFERENTIAL

KEY	OEM REF.	DESCRIPTION
1	EAT122434	KIT, Bearing & Seal (RS) (1)BBG-6174 (1)BCU-7631 (1)EM75020 (1)EE76320 (1)EE48090 (1)BBG-7629 (1)ER74070 (1)BCU-7628 (1)BCU-7118 Spacer (1)EE10620-552 Sealant (1)BSR-0385 Shims (1)EE72860-003 (1)EE72860-005 (1)EE72860-010 (1)EE72860-020 (1)EE72860-030 Washers (2)EE30960 (4)EE30970 Seal (1)EE73020
1	EAT122424	KIT, Bearing & Seal (RT/RP) (Incl: (1)BSR-0385 (1)GKP-3497 (1)BBG-6174 (1)BCU-7118 (1)BBG-7407 (1)BCU-7624 (1)BBG-7625 (1)BCU-7628 (1)BBG-7629 (1)BCU-7631 (1)BBG-7632 (1)EE15080 (1)EE10620-552 (1)EE30390 (3)EE31060 (4)EE31070 (1)EE34830 (1)EE72860-003 (1)EE72860-005 (1)EE72860-010 (1)EE72860-020 (1)EE72860-030 (1)EE73020)
1	EAT217622	KIT, Bearing & Seal (RD) (Incl: (1)BSR-0385 (1)GKP-3497 (1)BBG-6174 (1)BCU-7118 (1)BBG-7407 (1)BCU-7624 (1)BBG-7625 (1)BCU-7628 (1)BBG-7629 (1)BCU-7631 (1)BBG-7632 (1)EE10620-552 (1)EE15080 (3)EE30960 (4)EE30970 (1)EE34830 (1)EE72860-003 (1)EE72860-005 (1)EE72860-010 (1)EE72860-020 (1)EE72860-030 (1)EE73140)

KEY	OEM REF.	DESCRIPTION
1	EAT98590	KIT, Differential Carrier & Bearing Cap (RD)
1	EAT122432	KIT, Differential Carrier & Bearing Cap (RS)
2	EAT32732	SCREW (2 req'd for RD)
2	EAT127180	SCREW (2 req'd for RD) (4 req'd for RS)
3	EAT32912	WASHER, Flat
4	EAT12563	LOCKWIRE
5	EAT32730	BUSHING, Dowel
6	EAT14275	LOCK, Bearing Cap Adjuster (R.H.)
7	EAT90876	PIN, Cotter (R.H.)
8	EAT45448	LOCK, Bearing Cap Adjuster (L.H.)
9	EAT210601	SCREW, Adjusting Lock (RD)
10	EAT37746	BUSHING, Dowel (RD)
11	MAK79AX42	PLUG, Expansion (Upper) (RD)
12	EAT9797	PLUG, Expansion (Lower) (RD)
13	EAT113801	ASSEMBLY, Shift Fork Shaft (Incl: O-Ring)
14	EAT63028	NUT
15	MAK37AX256	WASHER, Flat
16	EAT119855	ASSY, Seal and Spring
17	EAT119863	STUD, Shift Fork Mounting
18	EAT84508	ASSEMBLY, Shift Fork and Roller
19	EAT114472	KIT, Side Gear
19	EAT118749	KIT, Side Gear (w/o Side Gears)
20	EAT21637	ADJUSTER, Differential Bearing (RH)
21	EAT15092	CUP, Differential (RH)
22	EAT27876	CONE, Differential (RH)
23	EAT935088	CLUTCH, Sliding
24	EAT39448	ADJUSTER, Differential (LH) (RS)

Continued



EATON DIFFERENTIALS – RD/RS 461,521,581 – REAR-REAR DIFFERENTIAL

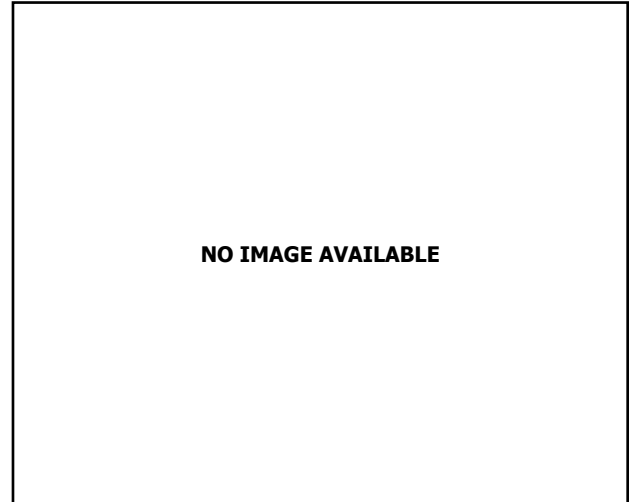
Continued

KEY	OEM REF.	DESCRIPTION	KEY	OEM REF.	DESCRIPTION
24	EAT82451	ADJUSTER, Differential (LH) (RD)	42	EAT27238	CUP, Pinion (Inner)
25	EAT21632	CUP, Differential (LH) (RD)	43	EAT210592	ASSEMBLY, Pinion Bearing Cage & Cup (Incl: Keys 42 & 45)
25	EAT19259	CUP, Differential (LH) (RS)	44	EAT67920	SHIM (.003in thk)
26	MAK2719-102660	CONE, Differential (LH) (RD)	44	EAT67921	SHIM (.005in thk)
26	MAK62AX219	CONE, Differential (LH) (RS)	44	EAT67922	SHIM (.010in thk)
27	N/A	SET, Gear	44	EAT67923	SHIM (.020in thk)
28	EAT217619	KIT, Differential Case (Ratios 3.55 - 4.11)(RD) (Incl: Key 30)	44	EAT67924	SHIM (.030in thk)
28	EAT98610	KIT, Differential Case (Ratios 3.55 - 4.11)(RS) (Incl: Key 30)	45	MAK64AX42	CUP, Pinion (Outer)
29	EAT217620	KIT, Differential Case (Ratios 4.33 - 6.67) (RD) (Incl: Key 30)	46	EAT73507	MOTOR, Air-Shift
29	EAT121845	KIT, Differential Case (Ratios 4.33 - 6.67) (RS) (Incl: Key 30)	47	MAK62AX250	CONE, Pinion (Outer)
30	EAT88503	SCREW, Differential Case	48	EAT210724	SEAL, Oil, Pinion
31	EAT67586	SCREW	49	EAT210509	WASHER, Flat
32	ROKNL-110-1	NUT	50	EAT210508	NUT, Locking, Pinion
33	EAT118959	GEAR, Side (RT/RP)	51	MAK342SX32	SEALANT
33	EAT93401	GEAR, Side (RS)	52	EAT126193	SCREW, Thrust (RS)
34	EAT27274	WASHER, Thrust, Side Gear	53	EAT210184	NUT (RS)
35	EAT86780	GEAR, PINION	54	EAT70745	KIT, Bolt (5/8in) Includes Screws (16)EE08260 Nuts (16)ER01960
36	EAT86781	WASHER, Thrust, Side Pinion			
37	EAT86778	SPIDER			
38	MAK2719-126187	BEARING, Pilot			
39	EAT27239	CONE, Pinion (Inner)			
40	EAT31366	SPACER, Pinion Bearing			
41	N/A	SPACER			



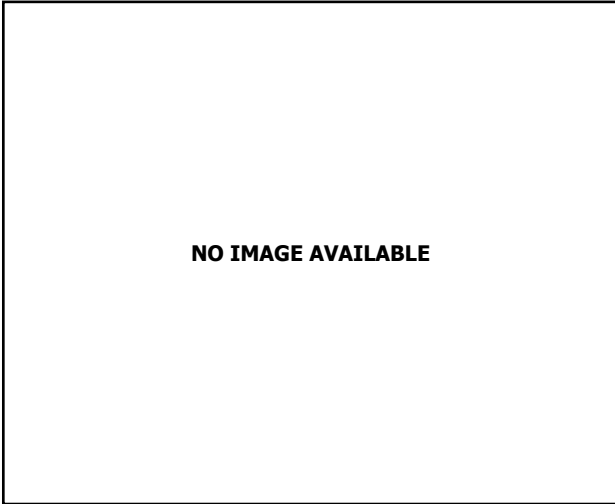
EATON DIFFERENTIALS – MISCELLANEOUS COMPONENTS – MODELS 461,485,521,581,601

KEY	OEM REF.	DESCRIPTION
1	EAT83799	NUT, Pinion (1-3/4in-12)
2	EAT83726	WASHER, Thrust, Side Gear (DT/DP)
3	EAT108145	WASHER, Thrust, Spider Pinion (DT/DP)
4	EAT78922	WASHER, Bearing Retaining (DS/DT/DP)
5	EAT113866	SEAL (RS)
6	EAT113594	CLUTCH, Sliding (DT/RT 485)
7	EAT126306	GEAR, Idler (DT/DP 461, 521, 581)
8	EAT108142	PINION, Spider (DT/DP 461, 521, 581)
9	EAT126255	CLUTCH, Sliding (DT/DP 461)
10	EAT108141	SPIDER, Differential
11	EAT126302	PIN, Idler (DT/DP/RT/RP 461) (Used w/ Gear EE95730)

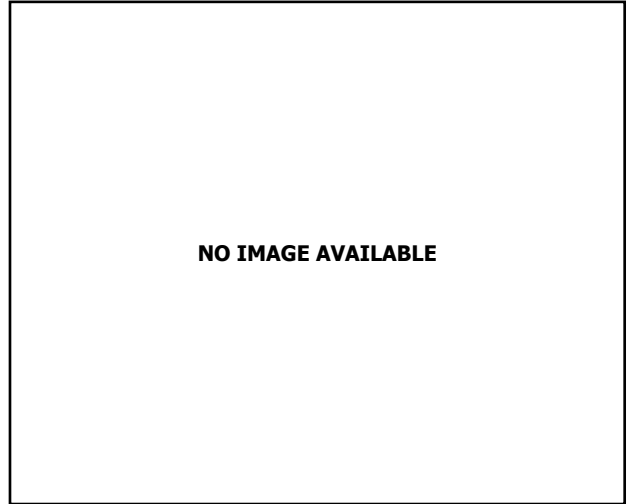


EATON DIFFERENTIALS – MISCELLANEOUS COMPONENTS – MODEL 15201,15301 SINGLE AXLE

KEY	OEM REF.	DESCRIPTION
1	EAT113450	SET, Gear (5.86 Ratio)
1	EAT98756	SET, Gear (5.83 Ratio)
1	EAT98757	SET, Gear (6.33 Ratio)
2	EAT113599	CLUTCH, Sliding
3	EAT74057	GEAR, Idler
4	EAT110522	SIDE, Gear
5	EAT95203	NUT, Lock, Pinion (1in-20)
6	EAT20821	PIN, Idler
7	EAT935830	SEAL



NO IMAGE AVAILABLE



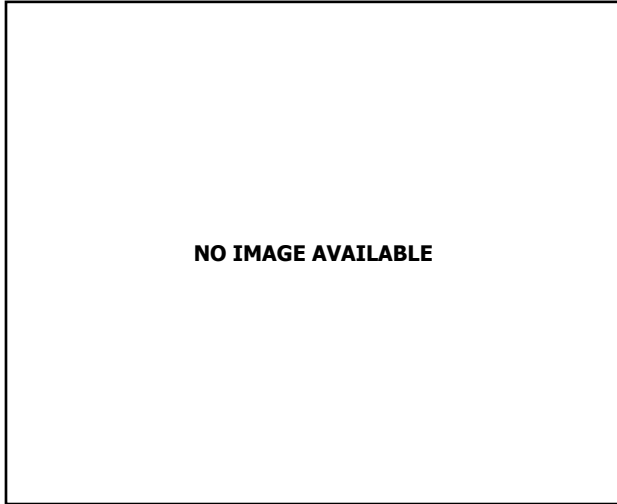
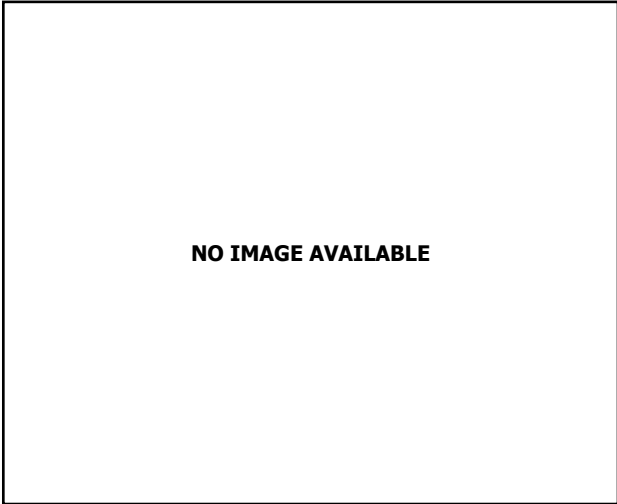
NO IMAGE AVAILABLE

**EATON DIFFERENTIALS – MISCELLANEOUS
COMPONENTS – MODEL 16200,16220 SINGLE AXLE**

KEY	OEM REF.	DESCRIPTION
1	EAT98742	SET, Gear (6.14 Ratio)
1	EAT98741	SET, Gear (5.57 Ratio)
1	EAT98743	SET, Gear (6.50 Ratio)
1	EAT98744	SET, Gear (7.17 Ratio)
2	EAT32425	FORK
3	EAT18346	WASHER, Thrust, Side Gear

**EATON DIFFERENTIALS – MISCELLANEOUS
COMPONENTS – MODEL 16244,16344 SINGLE AXLE**

KEY	OEM REF.	DESCRIPTION
1	EAT96798	SET, Gear (4.88 Ratio)
1	EAT96799	SET, Gear (5.57 Ratio)
1	EAT113455	SET, Gear (6.57 Ratio)
2	EAT74023	CLUTCH, Plate
3	EAT113629	CLUTCH, Sliding
4	EAT95204	NUT, Lock, Pinion (1-1/8in-18)
5	EAT27859	CASE Half (L.H.)
5	EAT27860	CASE Half (R.H.)
6	EAT27875	GEAR, Idler
7	EAT14935	PIN, Idler
8	EAT110524	GEAR, Side
9	EAT102500	PINION Gear, Spider
10	EAT25971	SPIDER
11	EAT32425	FORK

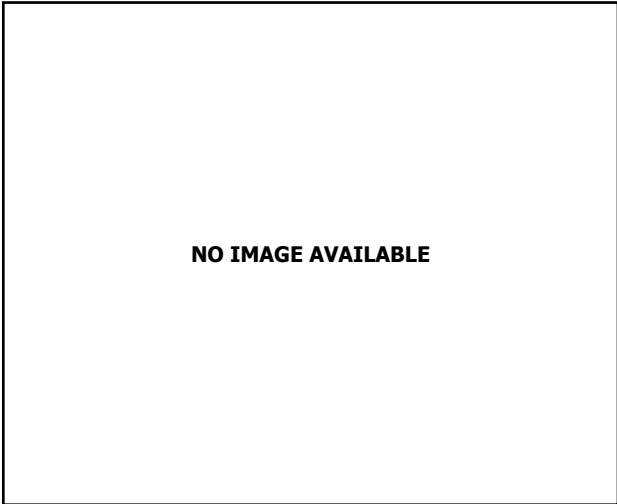


EATON DIFFERENTIALS – MISCELLANEOUS COMPONENTS – MODEL 17221,17321,18221,18321 SINGLE AXLE

KEY	OEM REF.	DESCRIPTION
1	EAT113467	SET, Gear (6.57 Ratio)
2	EAT113596	CLUTCH

EATON DIFFERENTIALS – MISCELLANEOUS COMPONENTS – MODEL 19050 SINGLE AXLE

KEY	OEM REF.	DESCRIPTION
1	EAT121545	SET, Gear (4.56/6.34 Ratio) (19050 T/P)
1	EAT121759	SET, Gear (4.88 Ratio) (19050S)
1	EAT121760	SET, Gear (5.29 Ratio) (19050S)
1	EAT121761	SET, Gear (5.57 Ratio) (19050S)
1	EAT121762	SET, Gear (5.83 Ratio) (19050S)
1	EAT121764	SET, Gear (6.50 Ratio) (19050S)
1	EAT121765	SET, Gear (7.17 Ratio) (19050S)
1	EAT121549	SET, Gear (6.14/8.55 Ratio) (19050 T/P)
1	EAT121551	SET, Gear (7.17/9.97 Ratio) (19050 T/P)
1	EAT121547	SET, Gear (5.29/7.35 Ratio) (19050 T/P)
1	EAT121550	SET, Gear (6.57/9.14 Ratio) (19050 T/P)
1	EAT121548	SET, Gear (5.57/7.75 Ratio) (19050 T/P)
1	EAT121546	SET, Gear (4.88/6.78 Ratio) (19050 T/P)
2	EAT126008	PIN, Idler
3	EAT126001	PINION, Spider
4	EAT121748	KIT, Differential Includes Spider (1)EE07840 Side Gears (4)EE95850 (2)EE25890 Washers (4)EE31210 (2)EE31220
5	EAT126002	SPIDER
6	EAT126003	WASHER, Thrust (Spider Pinion)
7	EAT126004	WASHER, Thrust (Side Gear)
8	EAT126000	GEAR, Side
9	EAT210133	NUT, Lock

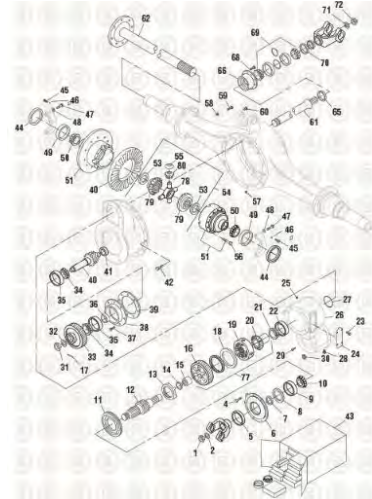
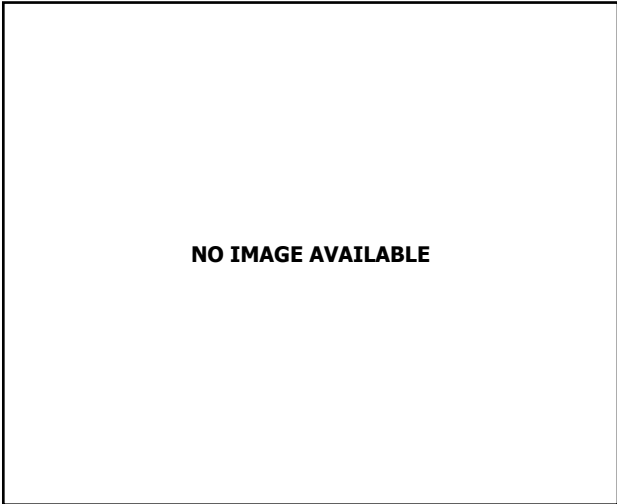


EATON DIFFERENTIALS – MISCELLANEOUS COMPONENTS – MODEL 23221,23321,26221,26321,35327

KEY	OEM REF.	DESCRIPTION
1	EAT98108	SET, Gear (4.11/5.60)
1	EAT98109	SET, Gear (4.33/5.90)
1	EAT98110	SET, Gear (4.56/6.21)
1	EAT98111	SET, Gear (4.88/6.64)
1	EAT98112	SET, Gear (5.43/7.39 Ratio)
1	EAT98113	SET, Gear (6.17/8.40 Ratio)
1	EAT98114	SET, Gear (6.67/9.08 Ratio)
2	EAT126305	ADJUSTER (L.H.)
3	EAT108142	PINION, Spider (35327)

EATON DIFFERENTIALS – MISCELLANEOUS COMPONENTS – MODEL 1350 THROUGH 20000

KEY	OEM REF.	DESCRIPTION
1	EAT40635	MOTOR, Diff. Shift (Models 1350 through 20000)
2	EAT113745	MOTOR, Diff. Shift (Current)
3	EAT113743	ASSEMBLY, Shift Housing
4	EAT32861	SWITCH, Shift (15200/23221)
5	EAT113744	CIRCUITBOARD (Use w/ EE09460 Motor)
6	EAT122000	KIT, Shift Repair, 2 Speed
7	EAT211319	CIRCUITBOARD, 2 Speed
8	EAT73503	MOTOR, Air Shift (Forward Differential)
8	EAT73507	MOTOR, Air Shift (Rear Differential)



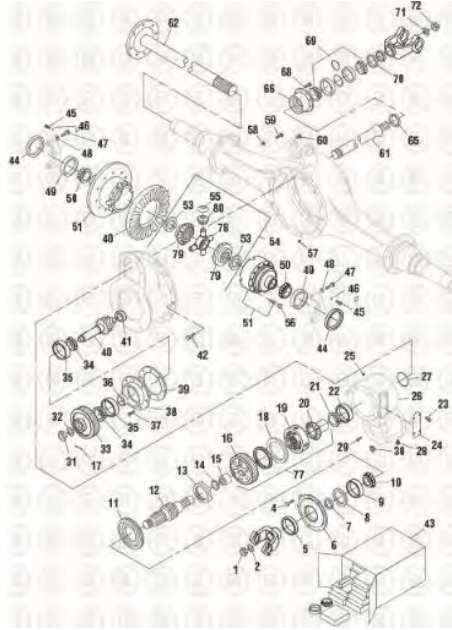
EATON DIFFERENTIALS – MISCELLANEOUS BEARING, CUPS AND CONES

INTERNATIONAL/DANA DIFFERENTIAL – 34,000 LB FORWARD REAR N340 – FORWARD REAR

KEY	OEM REF.	DESCRIPTION
1	MAK62AX81	CONE
1	MAK64AX182	CUP
1	MAK62AX219	CONE
1	MAK62AX75	CONE
1	MAK64AX142	CUP
1	MAK2719-126187	BEARING
1	MAK46AX303	BEARING
1	MAK64AX52	CUP
1	MAK64AX89	CUP
1	MAK46AX40	BEARING
1	MAK2719-127485	BEARING
1	MAK64AX88	CUP
1	MAK62AX308	CONE
1	MAK62AX207	CONE
1	MAK62AX37	CONE
1	MAK62AX494	CONE
1	MAK64AX235	CUP
1	MAK64AX242	CUP
1	MAK64AX35	CUP
1	MAK64AX165	CUP
1	MAK46AX531	BEARING
1	MAK46AX534	BEARING, Clutch Pilot (Sealed)*
1	MAK62AX157	CONE

KEY	OEM REF.	DESCRIPTION
1	ROK1227-D-940	NUT, Input Shaft
2	NAV390362R1	WASHER, Input Shaft
3	MAK342SX32	SEALANT
4	MAK4AX66	SCREW (1/2-13 UNC x 1-1/4in)
5	NAV1691145C2	SEAL, Oil Input (After 7-15-91)
5	MAK88AX355P2	SEAL, Oil Input (Before 7-15-91)
6	NAV1691153C91	RETAINER, Front Bearing
7	NAV1665324C1	SPACER, Input
8	NAV1665316C1	SHIM (.003in thk)
8	NAV1665317C1	SHIM (.005in thk)
8	NAV1665318C1	SHIM (.010in thk)
8	NAV1665319C1	SHIM (.030in thk)
9	MAK64AX237	CUP
10	MAK62AX439	CONE
11	NAV1665308C1	GEAR, Oil Pump
12	NAV1692964C91	SHAFT, Input
12	NAV1693019C91	SHAFT, Input w/ nut (After 9-1-91)
13	NAV1665332C1	CLUTCH, Slide
14	NAV2501605C91	WASHER, Thrust
15	NAV1665374C91	BEARING
16	NAV1665309C91	GEAR, Helical
17	NAV19415R1	PIN
18	NAV1665312C1	SLINGER, Oil
19	NAV1665307C91	ASSEMBLY, Interaxle Case
20	NAV1665300C1	GEAR, Side
21	MAK8235-JLM710949C	CONE
22	MAK8235-JLM710910	CUP
23	NAV16678R1	SCREW (5/16-18 UNC x 1in)
24	NAV1664306C1	COVER, Oil Pump
25	NAV586045C1	PLUG

Continued

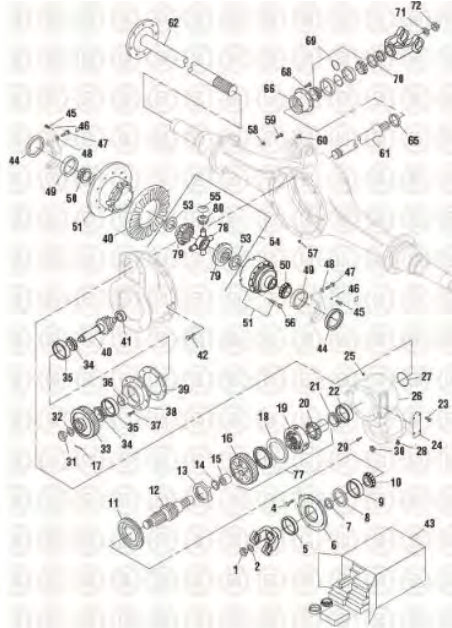


**INTERNATIONAL/DANA DIFFERENTIAL – 34,000 LB
FORWARD REAR N340 – FORWARD REAR**

Continued

KEY	OEM REF.	DESCRIPTION	KEY	OEM REF.	DESCRIPTION
26	NAV1665301C91	COVER, Interaxle	43	NAV1665333C91	KIT, Bearing & Seal Includes Bearings (1)BCU-7112 (1)GGB-7398 (1)BBG-8978 (1)BBG-7155 (1)BCU-7156 (1)BBG-7408 (2)GCU-7118 (1)BBG-7327 (2)GCU-6020 (2)BBG-6149 (2)BBG-7636 (2)BCU-7635 Seals (1)BOS-7291 (1)43611 O-Ring (1)421260
27	NAV21003R1	O-RING	44	NAV1665313C1	ADJUSTER, Differential Bearing
28	NAV1665376C1	PLUG, Drain	45	NAV26310R1	BOLT
29	NAV1691240C1	BOLT (1/2-13 UNC x 1-1/4in)	46	NAV1665314C1	LOCK
30	NAV586045C1	PLUG	47	NAV1691245C1	BOLT
31	EAT83799	NUT	48	NAV25712R1	WASHER
32	NAV1665324C1	SPACER	49	TIM495	CONE
33	NAV1665380C1	GEAR, Helical	50	MAK64AX183	CUP
34	MAK8235-72225C	CONE	51	NAV1665327C91	ASSEMBLY, Case (For 3.06 thru 4.44 Ratio) Includes bolts (8)440012
35	MAK64AX42	CUP	51	NAV1665328C91	ASSEMBLY, Case (For 4.78 thru 6.14 Ratio) Includes Bolts (8)440012
36	NAV360453C1	SPACER (.718in thk)	52	NAV157490R1	RIVET
36	NAV360457C1	SPACER (.722in thk)	53	NAV157494R1	THRUSTWASHER
36	NAV360461C1	SPACER (.726in thk)	54	NAV1651276C91	Kit, Differential Includes Spider (1)497125 Side Gears (2)497139 Pinion (4)497155 Thrustwashers (2)480909 (4)480908
36	NAV360465C1	SPACER (.730in thk)	55	NAV864360R1	THRUSTWASHER
36	NAV360469C1	SPACER (.734in thk)	56	NAV1691252C1	BOLT, Case (9/16in - 12 x 3-3/4in)
36	NAV393975C1	SPACER (.738in thk)	57	NAV1665376C1	PLUG, Drain
36	NAV393979C1	SPACER (.742in thk)	58	ROKA-1199-P-1394	BREATHER
37	NAV1691152C1	BOLT			
38	NAV1665303C91	CAGE			
39	NAV1665320C1	SHIM (.003in thk)			
39	NAV1665321C1	SHIM (.005in thk)			
39	NAV1665322C1	SHIM (.010in thk)			
39	NAV1665323C1	SHIM (.030in thk)			
40	N/A	SET, Gear			
41	MAK8235-1228F552	BEARING			
42	NAV1691152C1	BOLT (9/16-12 UNC x 1-1/2in)			

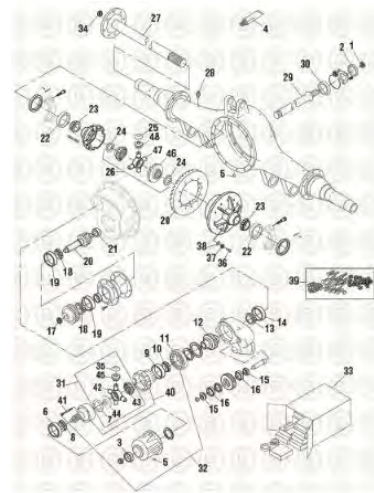
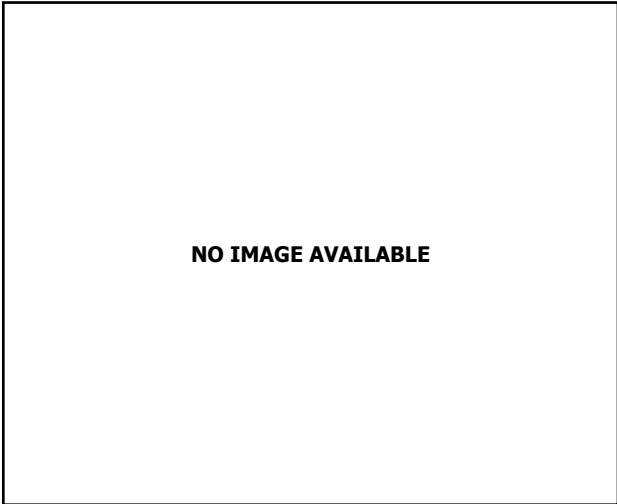
Continued



**INTERNATIONAL/DANA DIFFERENTIAL – 34,000 LB
 FORWARD REAR N340 – FORWARD REAR**

Continued

KEY	OEM REF.	DESCRIPTION	KEY	OEM REF.	DESCRIPTION
59	NAV586046C1	PLUG	76	NAV1665212C92	DIFFERENTIAL, No-Spi (4.44 Ratio)
60	NAV586045C1	PLUG	76	NAV1665214C92	DIFFERENTIAL, No-Spin (4.78 Ratio)
61	NAV1665379C91	SHAFT, Output w/ nut	77	NAV1665325C91	KIT, Interaxle Differential Includes Gears (1)497140 (1)497141 Oil Slinger (1)497090 Assembly (1)497100
62	NAV2502179C1	SHAFT, Axle	78	NAV864356R2	SPIDER
65	NAV1665378C1	SPACER, Output Shaft	79	NAV2506000C1	GEAR,Side
66	NAV1692929C91	CAGE ,Output Shaft	80	NAV2506003C1	PINION
67	NAV1691147C2	SEAL, Oil (7-15-91 & Later)			
68	MAK6AX1359X	SCREW (3/8-16 UNC x 1in)			
69	NAV1677057C91	KIT, Output Shaft Bearing			
70	NAV1691144C2	SEAL, Oil Output Shaft			
71	NAV597194C1	WASHER, Output Shaft			
72	NAV1696471C1	NUT			
73	NAVLF689	FILTER, Pump			
74	NAV1665373C91	SCREEN, Pump			
75	NAV1660842C91	PUMP, Oil			
76	NAV1665205C92	DIFFERENTIAL, No-Spin (3.06 Ratio)			
76	NAV1665206C92	DIFFERENTIAL, No-Spin (3.21 Ratio)			
76	NAV1665207C92	DIFFERENTIAL, No-Spin (3.42 Ratio)			
76	NAV1665208C92	DIFFERENTIAL, No-Spin (3.54 Ratio)			
76	NAV1665209C92	DIFFERENTIAL, No-Spin (3.73 Ratio)			
76	NAV1665210C92	DIFFERENTIAL, No-Spin (3.91 Ratio)			
76	NAV1665211C92	DIFFERENTIAL, No-Spin (4.10 Ratio)			



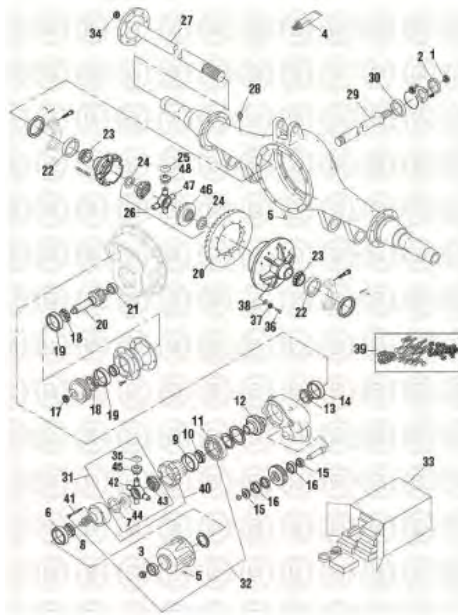
**INTERNATIONAL/DANA DIFFERENTIAL – 34,000 LB
FORWARD REAR N340 – GEAR SETS**

**INTERNATIONAL/DANA DIFFERENTIAL – 34/38/40000
LB J340S/ J380S/ J400S – FORWARD REAR**

KEYS	OEM REF.	DESCRIPTION
	NAV1665335C91	GEAR, Set
	NAV1665336C91	GEAR, Set
	NAV1665337C91	GEAR, Set
	NAV1665338C91	GEAR, Set
	NAV1665339C91	GEAR, Set
	NAV1665340C91	GEAR, Set
	NAV1665341C91	GEAR, Set
	NAV1665342C91	GEAR, Set
	NAV1665344C91	GEAR, Set
	NAV1665346C91	GEAR, Set
	NAV1665348C91	GEAR, Set
	NAV1665349C91	GEAR, Set
	NAV1665350C91	GEAR, Set

KEY	OEM REF.	DESCRIPTION
1	ROK1227-D-940	NUT, Input
2	NAV1691147C2	SEAL, Output Shaft Oil (After 7-15-91)
2	MAK88AX355P2	SEAL, Output Shaft Oil (Prior to 7-15-91)
3	NAV1691146C91	SEAL, Interaxle
4	MAK342SX32	SEALANT
5	MAK49AX235	PLUG, Drain Magnetic
6	MAK8235-JLM710910	CUP
7	NAV464248C1	THRUSTWASHER
7	NTNMWA4860	BEARING
8	MAK8235-JLM710949C	CONE
9	NTN28921	CUP
10	NTN28985	CONE
11	NAV1695385C91	BEARING
12	NAV2500275C1	GEAR, Helical Drive
13	MAK8235-JLM710949C	CONE
14	MAK8235-JLM710910	CUP
15	MAK62AX460	CONE (New Design)
15	NTN3877	CONE (Old Design)
16	MAK64AX283	CUP (New Design)
16	NTN3820	CUP (Old Design)
17	EAT83799	NUT
18	MAK8235-72225C	CONE
19	MAK64AX42	CUP
20	NAV597236C91	SET,Gear (3.54 Ratio)
20	NAV597237C91	SET,Gear (3.73 Ratio)
20	NAV597238C91	SET,Gear (3.91 Ratio)
20	NAV597239C91	SET,Gear (4.10 Ratio)
20	NAV597240C91	SET,Gear (4.44 Ratio)

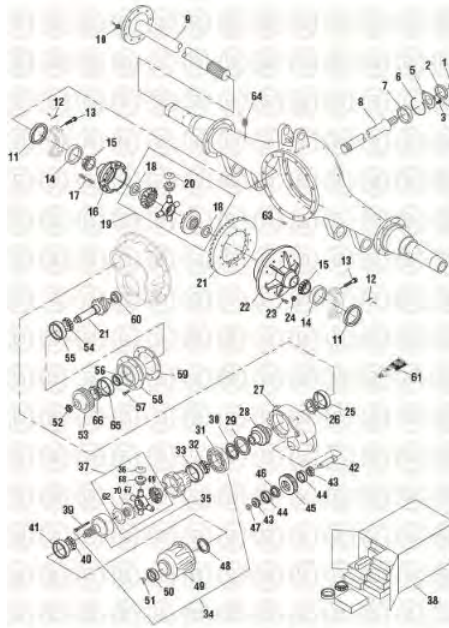
Continued



**INTERNATIONAL/DANA DIFFERENTIAL – 34/38/40000
LB J340S/ J380S/ J400S – FORWARD REAR**

Continued

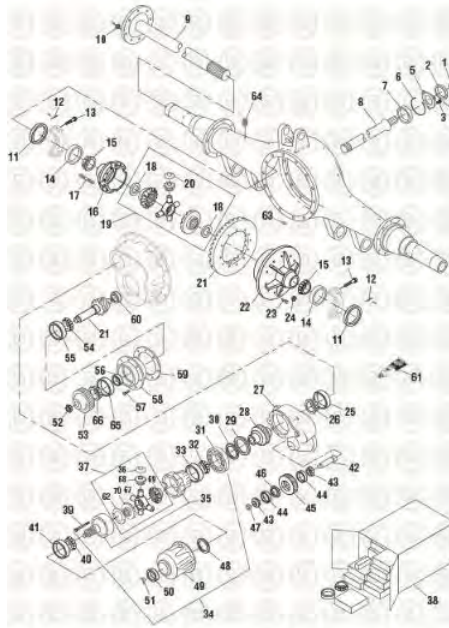
KEY	OEM REF.	DESCRIPTION	KEY	OEM REF.	DESCRIPTION
20	NAV597241C91	SET, Gear (4.78 Ratio)	33	NAV1695391C91	KIT, Bearing and Seal Includes Bearing (2)BBG-7343 (2)BCU-7342 (1)BBG-8941 (1)BCU-8942 (2)BBG-8947 (1)BBG-7553 (2)BBG-7155 (2)BCU-7156 (2)BBG-8943 (2)GBG-6691 (2)BCU-8944 (2)GCU-6692 (1)BBG-8949 (1)BBG-7323 (2)BCU-7118 (2)BBG-7408 Seals (1)436142 (1)436143 Thrustwasher (1)480912
20	NAV597242C91	SET, Gear (5.37 Ratio)	34	MAK21AX360	NUT
20	NAV597243C91	SET, Gear (6.14 Ratio)	35	NAV463413C1	WASHER
20	NAV1694169C91	SET, Gear (5.11 Ratio)	36	NAV2500165C1	BOLT, Ring Gear
20	NAV597244C91	SET, Gear (6.57)	37	MAK171AM5006	NUT
20	NAV597245C91	SET, Gear (7.17 Ratio)	38	NAV2500166C1	WASHER
20	NAV597246C91	SET, Gear (8.17 Ratio)	39	NAV2500164C91	KIT, Ring Gear Bolt Includes Nuts (16)ENU-0407 Bolts (16)440002 Washers (16)440080
21	MAK67AX263	BEARING	40	NAV1695389C91	KIT, Interaxle (w/o Housing)(7-1-93 & Later)
22	MAK64AX203	CUP	41	NAV27857R1	SCREW (12 pt Head, 1/2in NC x 2-3/4in) (Prior 7-1-93)
23	MAK62AX352	CONE	42	NAV463412C1	SPIDER
24	NAV157494R1	THRUSTWASHER	43	NAV463402C1	GEAR, Interaxle Side (Rear)
25	NAV864360R1	THRUSTWASHER	44	NAV463414C1	GEAR, Interaxle Side (Front) (NSS)
26	NAV1651271C91	KIT, Nest, Axle Gear (For 20 spline)	45	NAV463419C1	PINION, Differential (NSS)
26	NAV1651277C91	KIT, Nest, Axle Gear (For 41 spline)	46	NAV571354C1	GEAR, Side (41 Spline)
27	MAK2719-43981	AXLE, Shaft (20 spline)	47	NAV864356R2	SPIDER
27	MAK4333-571350C2	AXLE, Shaft (41 spline)	48	NAV864357R2	PINION, Spider
28	ROKA-1199-P-1394	BREATHER			
29	NAV464238C2	SHAFT, Output			
30	MAK46AX115	BEARING			
31	NAV1651265C91	ASSEMBLY, Interaxle			
32	NAV1695388C91	KIT, Interaxle (Before 7-1-93)			



**INTERNATIONAL/DANA DIFFERENTIAL – 46,000 LB
FORWARD REARW460S**

KEY	OEM REF.	DESCRIPTION	KEY	OEM REF.	DESCRIPTION
1	ROK1227-A-937	NUT	21	NAV597248C91	SET, Gear (3.73 Ratio)
2	NAV1691147C2	SEAL (7-15-91 & Later)	21	NAV597249C91	SET, Gear (3.91 Ratio)
2	MAK88AX355P2	SEAL (Prior to 7-15-91)	21	NAV597250C91	SET, Gear (4.10 Ratio)
3	MAK6AX1359X	SCREW	21	NAV597251C91	SET, Gear (4.44 Ratio)
4	MAK36AX3	WASHER	21	NAV597252C91	SET, Gear (4.78 Ratio)
5	NAV1691154C91	CAGE, Output Shaft Bearing	21	NAV597253C91	SET, Gear (5.38 Ratio)
6	NAV660433R1	RING, Output Shaft Bearing	21	NAV1698376C91	SET, Gear (5.63 Ratio)
7	MAK46AX115	BEARING	21	NAV597254C91	SET, Gear (6.14 Ratio)
8	NAV464237C2	SHAFT, Output	21	NAV597255C91	SET, Gear (6.57 Ratio)
9	NAV161087R2	AXLE, Shaft (2-21/64in x 22 spline)	21	NAV597256C91	SET, Gear (7.17 Ratio)
9	NAV1654168C1	AXLE,Shaft	22	NAV584284C1	CASE, Half (For 3.54 Ratio)
9	MAK4333-571351C2	AXLE, Shaft (2-3/8in x 46 spline)	22	NAV208523R5	CASE, Half (For 3.73 thru 4.44 Ratio)
10	MAK21AX360	NUT	22	NAV161091R5	CASE, Half (For 4.78 thru 7.17 Ratio)
11	NAV161066R2	ADJUSTER	23	NAV161060R1	BOLT
12	NAV157491R2	LOCK	24	NAV274639	NUT
13	NAV24896R1	BOLT (Prior to 7-1-93)	25	MAK8235- JLM710910	CUP
13	NAV1691245C1	BOLT (7-1-93 & Later)	26	MAK8235- JLM710949C	CONE
14	MAK64AX281	CUP	27	NAV592534C1	CASE, Interaxle
15	MAK62AX458	CONE	28	NAV2500275C1	GEAR, Helical
16	NAV161080R3	CASE, Half	29	NAV463430C2	COLLAR
17	NAV1691250C1	BOLT (3.54 Ratio)	30	NAV495024C1	RING
17	NAV1691249C1	BOLT (3.73 thru 4.44 Ratio)	31	NAV1695385C91	BEARING
17	NAV1691248C91	BOLT (4.78 thru 7.17 Ratio)	32	NTN28985	CONE
18	NAV161064R1	WASHER	33	NTN28921	CUP
19	NAV1651278C91	KIT, Nest (For 46 Spline)	34	NAV1695388C91	KIT, Interaxle (Prior to 7-1-93)
19	NAV1651272C91	KIT, Nest (For 22 Spline)			
20	NAV161061R2	WASHER			
21	NAV597247C91	SET, Gear (3.54 Ratio)			

Continued

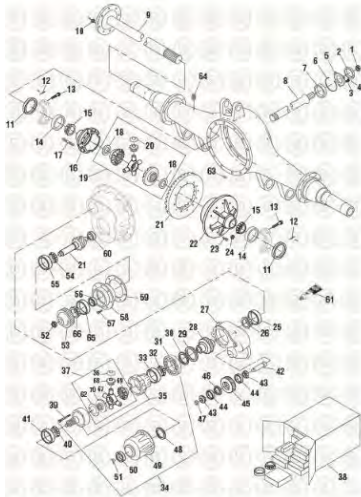


**INTERNATIONAL/DANA DIFFERENTIAL – 46,000 LB
FORWARD REARW460S**

Continued

KEY	OEM REF.	DESCRIPTION	KEY	OEM REF.	DESCRIPTION
35	NAV1695389C91	KIT, Interaxle (Interaxle (w/o Housing) (7-1-93 & Later)	46	NAV463428C2	SPACER, Old Design (1.302in)
36	NAV463413C1	WASHER	46	NAV463429C2	SPACER, Old Design (1.307in)
37	NAV1651265C91	ASSEMBLY, Interaxle	46	NAV497865C1	SPACER, Old Design (1.312in)
38	NAV1695392C91	KIT, Bearing & Seal Includes (1) BBG-7436 (1)GCU-7453 (1)BBG-7643 (1)BCU-7622 (2)BBG-7424 (2)BCU-7356 (1)BBG-8941 (1)BCU-8942 (1)BCU-7156 (1)BBG-7155 (2)BBG-8943 (1)BBG-6173 (1)BBG-8949 (1)BBG-7323 (2)BBG-8947 (1)BCU-8944 (1)GCU-6692 (1)GBG-6691 Thrustwasher (1)480912 Seals (1)436144 (1)BOS-7291 (1)436143 (1)436142	46	NAV497866C1	SPACER, Old Design (1.317in)
39	NAV27857R1	SCREW	46	NAV1654954C1	SPACER, New Design (1.637in)
40	MAK8235- JLM710949C	CONE	46	NAV1654956C1	SPACER, New Design (1.647in)
41	MAK8235- JLM710910	CUP	46	NAV1654957C1	SPACER, New Design (1.652in)
42	NAV463420C2	SHAFT, Idler Gear	46	NAV1654958C1	SPACER, New Design (1.657in)
43	MAK62AX460	CONE (New Design)	46	NAV1654959C1	SPACER, New Design (1.662in)
43	NTN3877	CONE (Old Design)	46	NAV1654960C1	SPACER, New Design (1.665in)
44	MAK64AX283	CUP (New Design)	46	NAV1654953C1	SPACER, New Design (1.632in)
44	NTN3820	CUP (Old Design)	46	NAV1654955C1	SPACER, New Design (1.642in)
45	NAV2501606C91	GEAR, Idler	47	NAV1696472C1	NUT
46	NAV463423C2	SPACER, Old Design (1.277in)	48	NAV496276C1	SHIM (.026in)
46	NAV463424C2	SPACER, Old Design (1.282in)	48	NAV496277C1	SHIM (.033in)
46	NAV463425C2	SPACER, Old Design (1.287in)	48	NAV482040C1	SHIM (.040in)
46	NAV463426C2	SPACER, Old Design (1.292in)	48	NAV482041C1	SHIM (.047in)
46	NAV463427C2	SPACER ,Old Design (1.297in)	48	NAV482042C1	SHIM (.054in)
			48	NAV482043C1	SHIM (.061in)
			48	NAV482044C1	SHIM (.068in)
			48	NAV482045C1	SHIM (.075in)
			49	NAV481119C2	HOUSING (Prior to 7-1-93)
			49	NAV1695386C1	HOUSING (7-1-93 & later)
			50	NAV1691146C91	SEAL
			51	ROK1227-D-940	NUT
			52	EAT83799	NUT
			53	NAV2500277C1	GEAR, Pinion Shaft Driven
			54	MAK62AX438	CONE, Inner

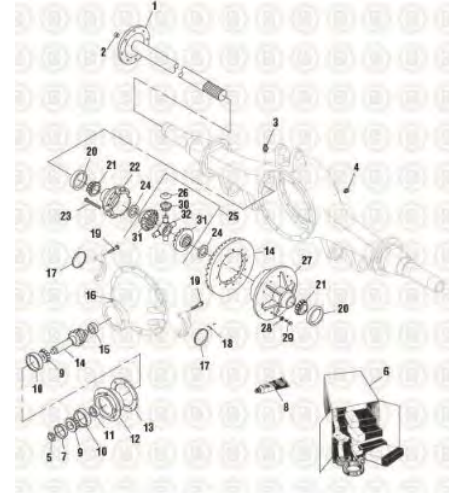
Continued



INTERNATIONAL/DANA DIFFERENTIAL – 46,000 LB FORWARD REARW460S

Continued

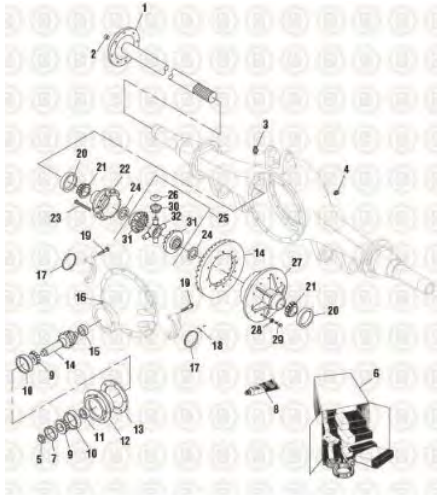
KEY	OEM REF.	DESCRIPTION
55	MAK64AX242	CUP, Inner
56	NAV892790R1	SPACER, Outer (.375in)
56	NAV1651818C1	SPACER (.894in)
56	NAV1651819C1	SPACER (.896in)
56	NAV1651820C1	SPACER (.898in)
56	NAV1651821C1	SPACER (.900in)
56	NAV1651822C1	SPACER (.902in)
56	NAV1651823C1	SPACER (.904in)
56	NAV1651824C1	SPACER (.906in)
56	NAV1651825C1	SPACER (.908in)
56	NAV1651826C1	SPACER (.910in)
56	NAV1693399C1	SPACER (.911in)
56	NAV1693400C1	SPACER (.916in)
57	NAV1691247C1	BOLT (Prior to 7-1-93)
57	NAV1691152C1	BOLT (7-1-93 & later)
58	NAV482784C91	CAGE, Pinion Bearing w/Cups
59	NAV463435C2	SHIM (.005in)
59	NAV463436C2	SHIM (.010in)
60	MAK67AX189	BEARING
61	MAK342SX32	SEALANT
62	NAV46428C1	THRUSTWASHER
62	NTNMWA4860	BEARING
63	MAK49AX235	PLUG, Drain
64	ROKA-1199-P-1394	BREATHER, Axle Housing
65	TIMHM813810	CUP, Outer
66	MAK62AX410	CONE, Outer
67	NAV463412C1	SPIDER
68	NAV463419C1	PINION, Differential (NSS)
69	NAV463402C1	GEAR, Interaxle Side (Rear)
70	NAV463414C1	GEAR, Interaxle Side (Front) (NSS)



INTERNATIONAL/DANA DIFFERENTIAL – 34/38000 LB REAR REAR G340S, J340S, J380S

KEY	OEM REF.	DESCRIPTION
1	MAK2719-62214	AXLE, Shaft (16 Splines)
2	MAK21AX360	NUT
3	ROKA-1199-P-1394	BREATHER
4	MAK49AX235	PLUG
5	ROK1227-D-940	NUT (1-3/4NF)
6	NAV1651517C91	KIT, Bearing & Seal Includes Bearings (2)BBG-7408 (2)BCU-7118 (1)BBG-7553 (2)BCU-7342 (2)BBG-7343 Seals (1)436140 (1)436139
7	NAV2503294C1	SEAL, Pinion Oil (Unitized)
7	NAV1651281C91	SEAL, Pinion Oil
8	MAK342SX32	SEALANT
9	MAK8235-72225C	CONE
10	MAK64AX42	CUP
11	NAV360453C1	SPACER (.718in thick)
11	NAV360457C1	SPACER (.722in thick)
11	NAV360461C1	SPACER (.726in thick)
11	NAV360465C1	SPACER (.730in thick)
11	NAV360469C1	SPACER (.734in thick)
11	NAV393975C1	SPACER (.738in thick)
11	NAV393979C1	SPACER (.742in thick)
12	NAV454719C91	CAGE
13	NAV896612R1	SHIM (.005in thick)
13	NAV157566R1	SHIM (.010in thick)
13	NAV157567R1	SHIM (.030in thick)
14	NAV597237C91	SET, Gear (3.73 Ratio)
14	NAV597238C91	SET, Gear (3.91 Ratio)
14	NAV597239C91	SET, Gear (4.10 Ratio)
14	NAV597240C91	SET, Gear (4.44 Ratio)
14	NAV597241C91	SET, Gear (4.78 Ratio)
14	NAV597242C91	SET, Gear (5.37 Ratio)
14	NAV597243C91	SET, Gear (6.14 Ratio)

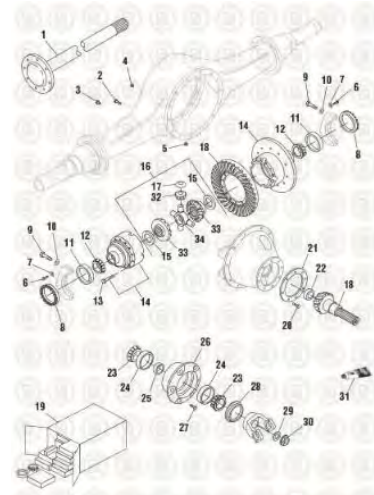
Continued



**INTERNATIONAL/DANA DIFFERENTIAL – 34/38000 LB
REAR REAR G340S, J340S, J380S**

Continued

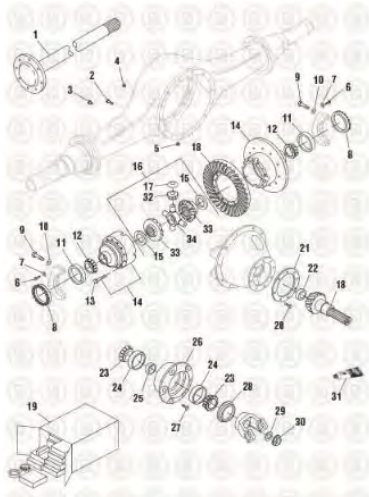
KEY	OEM REF.	DESCRIPTION
14	NAV597244C91	SET, Gear (6.57 Ratio)
14	NAV597245C91	SET, Gear (7.17 Ratio)
14	NAV597246C91	SET, Gear (8.17 Ratio)
15	MAK67AX263	BEARING
16	NAV586045C1	PLUG
17	NAV69208R1	ADJUSTER
18	NAV157491R2	LOCK
19	NAV24895R1	BOLT
20	MAK64AX203	CUP
21	MAK62AX352	CONE
22	NAV864352R2	CASE
23	NAV1691256C1	BOLT (For 3.73 thru 4.44 Ratio)
23	NAV1691255C1	BOLT (For 4.78 thru 8.17 Ratio)
24	NAV157494R1	THRUSTWASHER
25	NAV1651270C91	KIT, Gear & Spider (For 16 Splines)
25	NAV1651276C91	KIT,Gear & Spider (For 39 Splines) Includes Spider (1)497125 Side Gears (2)497139 Pinions (4)497155 Thrustwashers (2)480909 (4)480908
26	NAV864360R1	THRUSTWASHER
27	NAV505756C1	CASE (For 3.73 thru 4.44 Ratio)
27	NAV505757C1	CASE (For 4.78 thru 8.17 Ratio)
28	NAV27293R1	NUT (9/16 NF)
29	NAV157490R1	RIVET
30	NAV2506003C1	PINION
31	NAV2506000C1	GEAR, Side (39 Splines)
32	NAV864356R2	SPIDER



**INTERNATIONAL/DANA DIFFERENTIAL – 34,000 LB
REAR REAR N340**

KEY	OEM REF.	DESCRIPTION
1	NAV2502179C1	AXLE, Shaft
2	NAV586048C1	PLUG
3	ROKA-1199-P-1394	BREATHER
4	NAV586045C1	PLUG
5	MAK49AX235	PLUG, Drain Magnetic
6	MAK6AX1359X	SCREW
7	NAV1665314C1	LOCK
8	NAV1665313C1	ADJUSTER
9	NAV1691245C1	BOLT
10	NAV25712R1	WASHER
11	TIM495	CONE
12	MAK64AX183	CUP
13	NAV1691252C1	BOLT, Case (9/16in-12 x 3-3/4in)
14	NAV1665327C91	ASSEMBLY, Case, Differential (3.06 thru 4.44 Ratio) Includes Bolts (8)440012
14	NAV1665328C91	ASSEMBLY, Case, Differential (4.78 thru 6.14 Ratio) Includes Bolts (8)440012
15	NAV157494R1	THRUSTWASHER, Side Gear
16	NAV1651276C91	KIT, Differential Includes Spider (1)497125 Side Gears (2)497139 Pinions (4)497155 Thrustwashers (2)480909 (4)480908
17	NAV864360R1	THRUSTWASHER
18	NAV1665354C91	SET, Gear (3.06 Ratio)
18	NAV1665355C91	SET, Gear (3.21 Ratio)
18	NAV1665356C91	SET, Gear (3.42 Ratio)
18	NAV1665357C91	SET, Gear (3.54 Ratio)
18	NAV1665358C91	SET, Gear (3.73 Ratio)
18	NAV1665359C91	SET, Gear (3.91 Ratio)
18	NAV1665360C91	SET, Gear (4.10 Ratio)
18	NAV1665361C91	SET, Gear (4.44 Ratio)

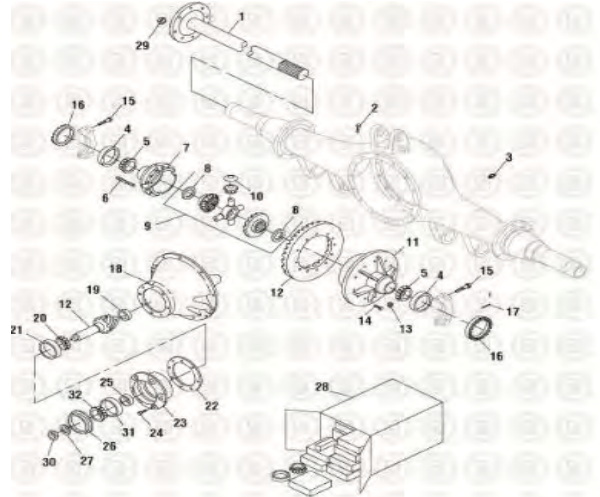
Continued



**INTERNATIONAL/DANA DIFFERENTIAL – 34,000 LB
REAR REAR N340**

Continued

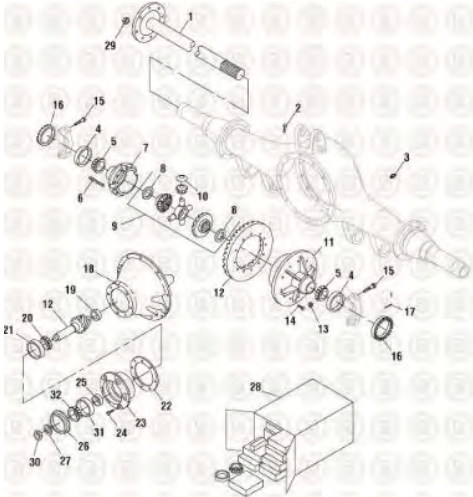
KEY	OEM REF.	DESCRIPTION
18	NAV1665363C91	SET, Gear (4.78 Ratio)
18	NAV1665365C91	SET, Gear (5.11 Ratio)
18	NAV1665367C91	SET, Gear (5.38 Ratio)
18	NAV1665368C91	SET, Gear (5.63 Ratio)
18	NAV1665369C91	SET, Gear (6.14 Ratio)
19	NAV1665329C91	KIT, Bearing & Seal Includes Bearings (2)BBG-7408 (2)BCU-7118 (1)BBG-7327 (2)BCU-6020 (2)BBG-6419 Seal (1)436140
20	NAV1691152C1	BOLT
21	NAV896612R1	SHIM (.005in)
21	NAV157566R1	SHIM (.010in)
21	NAV157567R1	SHIM (.030in)
22	MAK8235-1228F552	BEARING
23	MAK8235-72225C	CONE
24	MAK64AX42	CUP
25	NAV360453C1	SPACER (.718in)
25	NAV360457C1	SPACER (.722in)
25	NAV360461C1	SPACER (.726in)
25	NAV360465C1	SPACER (.730in)
25	NAV360469C1	SPACER (.734in)
25	NAV393975C1	SPACER (.738in)
25	NAV393979C1	SPACER (.742in)
26	NAV454719C91	CAGE, Pinion Bearing
27	NAV1691152C1	BOLT
28	NAV2503294C1	SEAL, Pinion Oil (Unitized)
28	NAV1691143C2	SEAL, Oil (7-15-91 & Later)
28	NAV1651281C91	SEAL, Oil (Prior to 7-15-91)
29	NAV390362R1	WASHER
30	ROK1227-D-940	NUT
31	MAK342SX32	SEALANT
32	NAV2506003C1	PINION
33	NAV2506000C1	GEAR, Side
34	NAV864356R2	SPIDER



**INTERNATIONAL/DANA DIFFERENTIAL – 46000 LB
REAR REAR W460**

KEY	OEM REF.	DESCRIPTION
1	NAV161087R2	AXLE, Shaft (2-21-64in x 22 Spline)
1	NAV1654168C1	AXLE, Shaft (2-3/8in x 46 Spline)
1	MAK4333-571351C2	AXLE, Shaft (2-3/8in x 46 Spline)
2	ROKA-1199-P-1394	BREATHER
3	MAK49AX235	PLUG, Magnetic Drain
4	MAK64AX281	CUP
5	MAK62AX458	CONE
6	NAV1691250C1	BOLT (For 3.54 Ratio)
6	NAV1691249C1	BOLT (For 3.73 thru 4.44 Ratio)
6	NAV1691248C1	BOLT (For 4.78 thru 7.17 Ratio)
7	NAV161080R3	CASE, Half
8	NAV161064R1	WASHER, Side Gear
9	NAV1651278C91	KIT, Nest (For 46 Spline)
9	NAV1651272C91	KIT, Nest (For 22 Spline)
10	NAV161061R2	WASHER, Pinion
11	NAV584284C1	CASE (For 3.54 Ratio)
11	NAV208523R5	CASE (For 3.73 thru 4.44 Ratio)
11	NAV161091R5	CASE (For 4.78 thru 7.17 Ratio)
12	NAV597247C91	SET, Gear (3.54 Ratio)
12	NAV597248C91	SET, Gear (3.73 Ratio)
12	NAV597249C91	SET, Gear (3.91 Ratio)
12	NAV597250C91	SET, Gear (4.10 Ratio)
12	NAV597251C91	SET, Gear (4.44 Ratio)
12	NAV597252C91	SET, Gear (4.78 Ratio)
12	NAV597253C91	SET, Gear (5.38 Ratio)
12	NAV1698376C91	SET, Gear (5.63 Ratio)
12	NAV597254C91	SET, Gear (6.14 Ratio)
12	NAV597255C91	SET, Gear (6.57 Ratio)
12	NAV597256C91	SET, Gear (7.17 Ratio)
13	NAV274639	NUT
14	NAV161060R1	RIVET

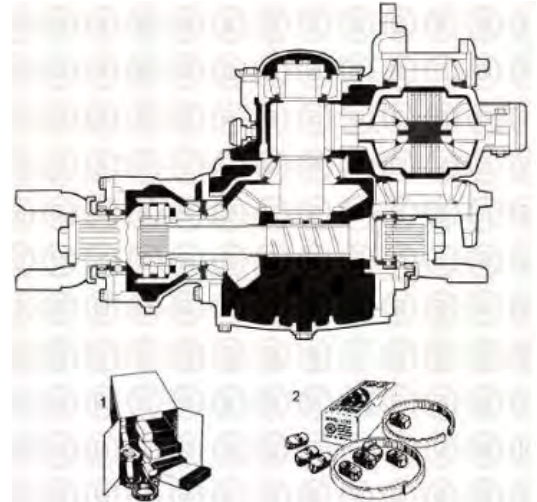
Continued



INTERNATIONAL/DANA DIFFERENTIAL – 46000 LB REAR REAR W460

Continued

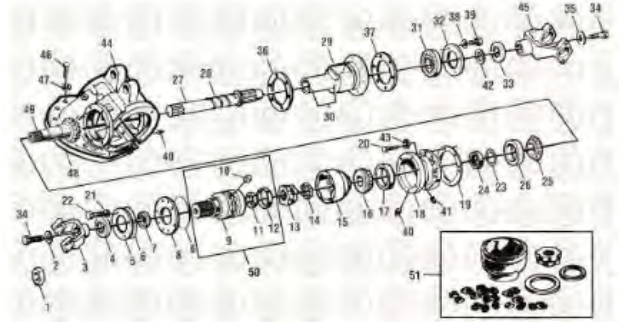
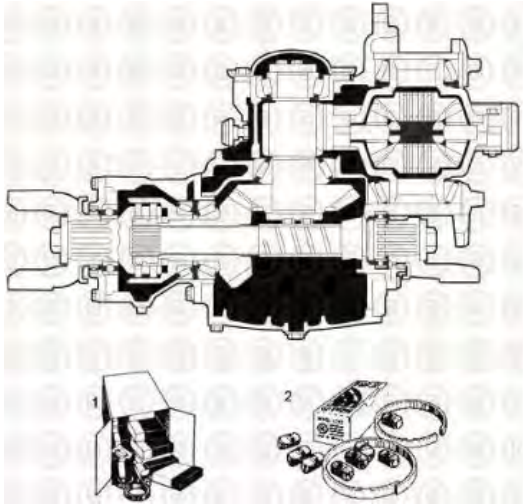
KEY	OEM REF.	DESCRIPTION
15	NAV24896R1	BOLT
16	NAV161066R2	ADJUSTER
17	NAV157491R2	LOCK
18	NAV586045C1	PLUG
19	MAK67AX189	BEARING
20	MAK62AX438	CONE (Inner)
21	MAK64AX242	CUP (Inner)
22	NAV966191R2	SHIM (.005in)
22	NAV161070R2	SHIM (.010in)
23	NAV482782C91	CAGE
24	NAV1691247C1	BOLT
25	NAV1651818C1	SPACER (.894in)
25	NAV1651819C1	SPACER (.896in)
25	NAV1693400C1	SPACER (.916in)
25	NAV1651820C1	SPACER (.898in)
25	NAV1651821C1	SPACER (.900in)
25	NAV1651822C1	SPACER (.902in)
25	NAV1651823C1	SPACER (.904in)
25	NAV1651824C1	SPACER (.906in)
25	NAV1651825C1	SPACER (.908in)
25	NAV1651826C1	SPACER (.910in)
25	NAV1693399C1	SPACER (.911in)
26	NAV2503294C1	SEAL ,Pinion Oil (Unitized)
26	NAV1691143C2	SEAL (7-15-91 & Later)
26	NAV1651281C91	SEAL (Prior to 7-15-91)
27	NAV892790R1	SPACER (.375in)
28	NAV1651519C91	KIT, Bearing & Seal Includes Bearings (1)BBG-7436 (1)GCU-7453 (1)BBG-7643 (1)BCU-7622 (2)BBG-7424 (2)BCU-7356 (1)BBG-6173 Seal (1)436140
29	MAK21AX360	NUT
30	ROK1227-D-940	NUT
31	MAK62AX410	CONE (Outer)
32	TIMHM813810	CUP (Outer)



MACK DIFFERENTIALS – CRDPC 92/112 – SERVICE KITS

KEY	OEM REF.	DESCRIPTION
1	MAK205SP72B	KIT, Bearing & Seal (w/o Lockout) (CRDPC 92/112, CRDLPC 92/112) Includes Bearings (1)BBG-7320 (1)BCU-7350 (1)BBG-7640 (1)BCU-7390 (1)BCU-7480 (1)BBG-7490 (1)BCU-7170 (1)BCU-7500 (1)GBG-6040 (1)BBG-7470 (1)EM75100 (1)EM73400 (1)EM73300 (1)BCU-7820 Seals (1)BOS-7690 (1)BOS-7310-CR Gasket (1)BBK-7121-300 O-Ring (1)BBK-7121-200
1	MAK205SP73B	KIT, Bearing & Seal (CRDPC 92/112, CRDLPC 92 w/ Lockout) Includes Bearings (1)BBG-7320 (1)BCU-7350 (1)BCU-7390 (1)BBG-7640 (1)BCU-7820 (1)BCU-7480 (1)BCU-7170 (1)BBG-7490 (1)BCU-7500 (1)GBG-6040 (1)BBG-7470 (1)EM75100 (1)EM73400 (1)73300 O-Ring (1)BBK-7125-200 Gasket (1)BBK-7125-300 Seals (1)BOS-7310-CR (1)BOS-7690
1	N/A	KIT, Bearing & Seal (opt.) (CRDPC 92/112, CRDLPC 92 w/ Lockout) (Incl: Timken Brand Cups and Cones) Includes Bearings (1)GBG-6040-TIM (1)BCU-7170-TIM (1)BBG-7320 (1)BBG-7330-TIM (1)BBG-7340-TIM (1)BCU-7350-TIM (1)BCU-7390-TIM (1)BBG-7470-TIM (1)BCU-7480-TIM (1)BBG-7490-TIM (1)BCU-7500-TIM (1)BBG-7510-TIM (1)BBG-7640 (1)BCU-7820-TIM O-Ring (1)BBK-7125-200 Seals (1)BOS-7690 (1)BOS-7310-CR Gasket (1)BBK-7125-300

Continued



MACK DIFFERENTIALS – CRDPC 92/112 – SERVICE KITS

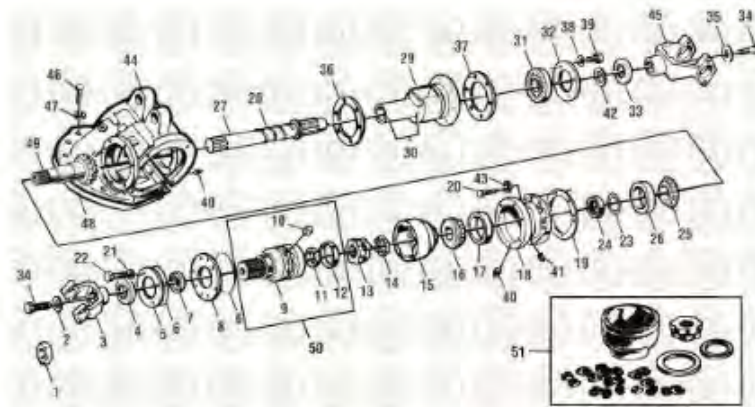
Continued

KEY	OEM REF.	DESCRIPTION
2	N/A	KIT, Wedge/Ring (CRDPC 92/112 & CRDLPC 92) Includes Wedge Set (1)BWE-1230 Rings (1)BRG-0110 (1)BRG-0120
2	MAK25KH22	KIT, Wedge/Ring (CRDPC 92/112 & CRDLPC 92) Includes Wedge Set (1)BWE-1235 Rings (1)BRG-0116 (1)BRG-0126

MACK DIFFERENTIALS – CRDPC 92/112 – CRDPC 92/112

KEY	OEM REF.	DESCRIPTION
1	MAK23AX164	NUT, Drive Yoke
2	MAK297KB124P1	CLAMP, Front Drive Yoke
3	MAK171MU52P31	YOKE, Drive (2-3/8in x 46 Spline, 3-1/2in Dia. Hub)
3	MAK171MU52P18	YOKE, Drive (2-1/2in x 10 Spline, 3-1/2in Dia. Hub)
4	MAK88AX440P4	SEAL, Front Yoke
4	MAK1458-34889	SEAL, Front Yoke
4	MAK88AX458	SEAL, Front Yoke (Flanged)
5	MAK49KH335C	COVER, Front Seal
6	MAK56AX415	O-RING
7	MAK46AX489	BEARING, Cage (15 Rollers)
7	MAK46AX533	BEARING, Cage (16 Rollers)
8	MAK53KH383B	RETAINER
9	MAK33KN381A	CAGE, Power Divider (Coarse Spline)
9	MAK33KN411A	CAGE, Power Divider (Fine Spline)
10	MAK30KN12	WEDGE, Set (24 pcs.)
10	MAK30KN114	WEDGE, Set (Current) (24 pcs.)
11	MAK35KN16A	RING, Inner Power Divider
11	MAK35KN23	RING, Inner Power Divider (Use w/ Wedge Set BWE-1235) (Current)
12	MAK35KN17A	RING, Outer Power Divider
12	MAK35KN24	RING, Outer Power Divider (Use w/ Wedge Set BWE-1235) (Current)
13	MAK32KN38	CAM, Inner Power Divider (27 Teeth x 1-3/4in Dia. Spline)
13	MAK32KN231	CAM, Inner Power Divider (35 Teeth x 1-1/2in Dia. Spline)
14	MAK267KC144A	NUT, Pinion (Coarse Spline Pinion) (2-1/4in-12)

Continued

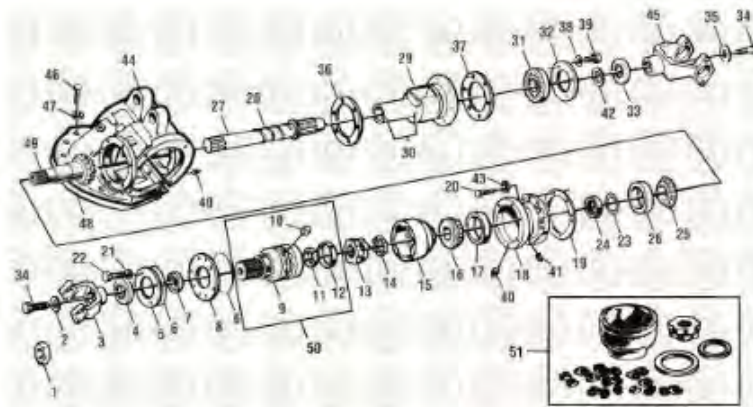


MACK DIFFERENTIALS – CRDPC 92/112 – CRDPC 92/112

Continued

KEY	OEM REF.	DESCRIPTION	KEY	OEM REF.	DESCRIPTION
14	MAK267KC214P2	NUT, Pinion (Fine Spline Pinion) (2-3/8in-12)	24	MAK52KH1111P1	SPACER (Ratios: 3.86,4.17, 4.42,4.50,4.76,5.13)
14	MAK267KC234	NUT, Pinion (Fine Spline Pinion) (2-3/8in-12, Locking)	24	MAK52KH1111P2	SPACER(Ratios: 3.65 & 3.87)
15	MAK31KN355	CAM, Outer Power Divider (Course Spline)	25	MAK62AX450	CONE,Rear Pinion
15	MAK31KN47	CAM, Outer Power Divider (Fine Spline)	26	MAK64AX35	CUP,Rear Pinion
16	MAK62AX413	CONE, Front Pinion	27	MAK90KH411	SHAFT,Interaxle Assembly (Fine Spline Yoke)(Use Cam w/ BCP-2390)
17	MAK64AX276	CUP, Front Pinion	27	MAK90KH253B	SHAFT,Interaxle Assembly (Coarse Spline Yoke) (Use w/ Cam BCP-2390)
18	MAK36KN114P1	HOUSING, Pinion Assembly (Ratios: 4.64, 5.02, 5.32, 5.55, 5.73, 6.06, 6.34, 6.45, 6.56, 7.00, 7.13, 7.49, 8.24, 9.02, 9.15,9.59) Includes Cups (1)BCU-7500 (1)BCU-7480	27	MAK90KH248AP1	SHAFT,Interaxle Assembly (Use w/ Cam BCP-7950)
18	MAK36KN114P2	HOUSING, Pinion Assembly (Ratios: 3.86,4.17,4.42, 4.50,4.76,5.13) Includes Cups (1)BCU-7500 (1)BCU-7480	28	MAK96KH16A	SPRING (Use w/ Shafts BAS-2295 & BAS-2300)
19	MAK51KH263AP10	SHIM, Pinion Housing (.010in thk)	28	N/A	SPRING (Use w/ BAS-7240)
19	MAK51KH263AP12	SHIM, Pinion Housing (.012in thk)	29	MAK53KH261B	RETAINER, Assembly Includes Tube
19	MAK51KH263AP15	SHIM, Pinion Housing (.015in thk)	30	MAK88KH25A	TUBE
19	MAK51KH263AP31	SHIM, Pinion Housing (.031in thick)	31	MAK46AX531	BEARING, Interaxle
20	MAK6AX1361X	SCREW (5/8in-11 x 1-1/2in)	32	MAK49KH339B	COVER, Rear Seal
20	MAK6AX1403X	SCREW (12pt.) (5/8in-11 x 1-1/2in)	33	MAK88AX319P2	SEAL, Rear Yoke (2.75in I.D.)
21	MAK37AX256	WASHER (7/16in I.D.)	33	MAK88AX456	SEAL, Differential (Flanged)
22	MAK6AX1360X	SCREW (7/16in-14 x 1-1/2in)	33	MAK88AX359P2	SEAL, Rear Yoke (2.5in I.D.)
23	N/A	SPACER	34	MAK3AX1803X	SCREW, Drive Yoke (7/8in-14 x 3in)
			35	MAK297KB219P2	CLAMP, Rear Yoke
			36	MAK50KH252P1	GASKET (.031in thk)
			37	MAK50KH252P2	GASKET (.015in thk)
			38	MAK37AX472U	WASHER
			39	MAK6AX1309X	SCREW (3/8in-16 x 1-1/2in)

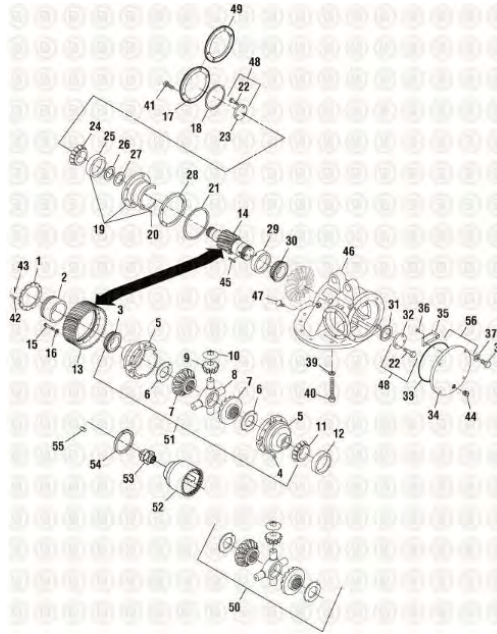
Continued



MACK DIFFERENTIALS – CRDPC 92/112 – CRDPC 92/112

Continued

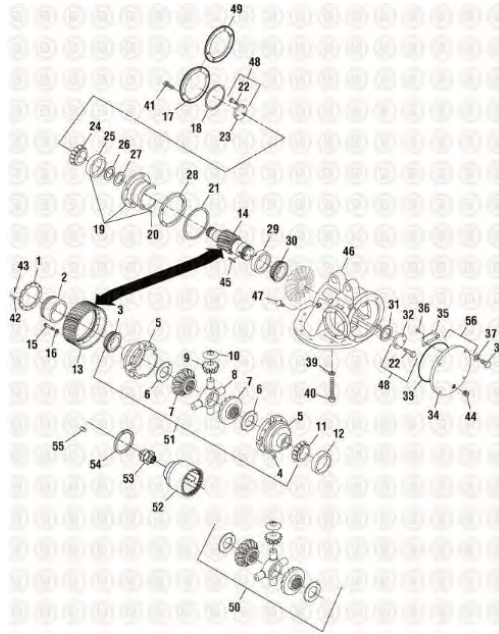
KEY	OEM REF.	DESCRIPTION	KEY	OEM REF.	DESCRIPTION
40	MAK63AX83	PLUG	51	N/A	KIT, Power Divider (Fine Spline, Outer Camp) Includes Rings (1)BRG-0116 (1)BRG-0126 Wedge Set (1)BWE-1235 Cams (1)BCP-2382 (1)BCP-2390
40	MAK49AX73	PLUG, Magnetic	51	N/A	KIT, Power Divider (Course Spline, Outer Cam) Includes Rings (1)BRG-0110 (1)BRG-0120 Wedge Set (1)BWE-1230 Cams (1)BCP-2380 (1)BCP-2390
41	MAK63AX115	PLUG, Filler	51	N/A	KIT, Power Divider (w/ Coarse Spline Cage) Includes Rings (1)BRG-0110 (1)BRG-0120 Wedge Set (1)BWE-1230 Cams (1)BCP-2380 (1)BCP-2390 Cage (1)BCP-2420
42	MAK11KD13	SLINGER			
43	MAK36AX7X	WASHER			
44	MAK64KH415P2	HOUSING, Carrier Assembly (Straddle Torque Rod Mount) Includes Caps, Screws & Washers			
45	MAK38MU3140	YOKE, Drive (2-1/32in x 10 Spline, 2-3/4in Dia. Hub)			
45	MAK171MU52P32	YOKE, Drive (2in x 39 Spline, 2-3/4in Dia. Hub)			
46	MAK3AX1665	SCREW (5/8in -18 x 2in)			
46	MAK419GC113B	SCREW (5/8in-18 x 1-3/4in)			
47	MAK15QD168P2	WASHER			
48	MAK56AX389	O-RING			
49	N/A	GEAR SET			
50	MAK33KN416A	KIT, Cage (Fine Spline) Includes Cage (1)BCP-2422 Wedge Set (1)BWE-1230 Rings (1)BRG-0110 (1)BRG-0120			
51	N/A	KIT, Power Divider (Inner Cam) Includes Cam (1)BCP-2390 Wedge Set (1)BWE-1230			
51	N/A	KIT, Power Divider (Inner Cam w/ Rings) Includes Cam (1)BCP-2390 Wedge Set (1)BWE-1235 Rings (1)BRG-0116 (1)BRG-0126			



MACK DIFFERENTIALS – CRDPC 92/112 – CRDPC 92/112

KEY	OEM REF.	DESCRIPTION	KEY	OEM REF.	DESCRIPTION
1	MAK43KH223	NUT, Adjusting	14	N/A	PINION
2	MAK64AX239	CUP, Carrier (R.H.)	15	MAK3AX1742	SCREW, Carrier (5/8in-18 x 2-1/4in) (Use w/ BCS-7020 & BCS-7025 Casings) (12 req'd)
3	MAK62AX404	CONE, Carrier (R.H.)	15	MAK3AX1804	SCREW, Carrier (9/16in-18 x 2-1/4in) (Use w/ BCS-7035 Casing) (Use w/ BWA-7230 Washers) (12 req'd)
4	MAK20AX6	NUT (9/16in-18)	15	MAK72KH23	SCREW, Carrier (5/8in-18 x 2-5/8in) (Use w/ BCS-7020 & BCS-7025 Casing) (Use w/ BNU-7001 Nuts) (12 req'd)
4	MAK108KH11	NUT (5/8in-18)	16	MAK67KH112	WASHER (9/16in)
5	MAK30KH3296	CASING (2 Pcs.) Includes Bearings (Uses (12)BSC-2190 Screws) (Forged Steel)	17	MAK57KH234B	COVER, Helical Pinion
5	MAK30KH3321	CASING (2 Pcs.) Includes Bearings (Uses (12)BSC-2190 Screws) (Cast Iron)	18	MAK56AX450	O-RING, Cover (R.H.)
5	MAK30KH3278B	CASING (2 Pcs.) Includes Bearings (Uses (12)BSC-7620 Screws) (Cast Iron)	19	MAK53KH195D	RETAINER, Assembly (Incl: Lock Pin) Includes Lock Pin (1)BPN-5122 Gasket (1)BGK-3829 Cup (1)BCU-7170
6	MAK38KH218A	WASHER, Thrust, Side Gear	20	MAK31AX57	PIN, Lock
6	MAK38KH220	WASHER, Thrust, Side Gear (Steel)	21	MAK56AX432	O-RING
7	MAK34KH261	GEAR, Side (Shallow Spline) (CRDPC92)	22	MAK3AX1883X	SCREW (Use w/ BWA-3091) (1/2in-20 x 1-3/4in)
7	MAK34KH331	GEAR, Side (Fine Spline) (43T) (CRDPC92)	22	MAK3AX1797X	SCREW (Use w/ BWA-3080, BWA-3081, BWA-3090) (1/2in-20 x 1-1/2in)
7	MAK34KH242C	GEAR, Side (CRDPC112)	23	MAK297KB116C	CLAMP (Use w/ Cast Iron Cover)
8	MAK32KH228A	SPIDER	23	MAK297KB28	CLAMP (Use w/ Stamped Cover)
9	MAK33KH263A	GEAR, Pinion Spider	24	MAK62AX166	CONE, Spur Pinion (R.H.)
10	MAK37KH27A	WASHER, Thrust, Pinion	24	MAK62AX188	CONE, Spur Pinion (R.H.)
10	MAK37KH210	WASHER, Thrust, Pinion (Steel)			
11	MAK62AX471	CONE, Carrier (L.H.)			
12	MAK64AX267	CUP, Carrier (L.H.)			
12	MAK64AX238	CUP, Carrier (L.H.)			
13	MAK61KH460	GEAR, Bull (CRDPC 921)			
13	N/A	GEAR, Bull			

Continued

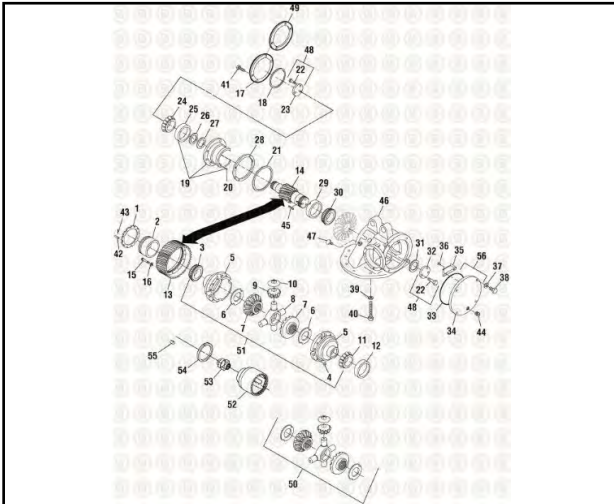


MACK DIFFERENTIALS – CRDPC 92/112 – CRDPC 92/112

Continued

KEY	OEM REF.	DESCRIPTION	KEY	OEM REF.	DESCRIPTION
25	MAK64AX90	CUP, Spur Pinion (R.H.)	39	MAK35AX1251	WASHER, Bearing Cap
26	N/A	SHIM	40	MAK6AX773	SCREW, Bearing Cap (3/4in-10 x 5in)
27	N/A	SPACER	41	MAK6AX1324X	SCREW (1/2in-13 x 1-1/2in)
28	MAK51KH264AP10	SHIM, Pinion Adjustment (.010in thk)	41	MAK6AX1681	SCREW (1/2in-13 x 1-1/2in, Flanged Hex, Grade 5)
28	MAK51KH264AP12	SHIM, Pinion Adjustment (.012in thk)	42	MAK31AX59	PIN, Adjustment Lock
28	MAK51KH264AP15	SHIM, Pinion Adjustment (.015in thk)	43	MAK29AX5	PIN, Cotter
28	MAK51KH264AP31	SHIM, Pinion Adjustment (.031in thk)	44	MAK63AX115	PLUG, Filler
29	MAK64AX288	CUP, Spur Pinion (L.H.)	44	MAK49AX224	PLUG, Filler (Magnetic)
29	MAK64AX261	CUP, Spur Pinion (L.H.)	45	N/A	KEY, Ring Gear
30	MAK62AX408	CONE, Spur Pinion (L.H.)	46	MAK64KH415P2	HOUSING, Carrier Assembly (Straddle Torque Rod Mount) Includes Caps, Screws & Washers)
30	MAK62AX437	CONE, Spur Pinion (L.H.)	47	MAK541KB29	BREATHER
31	MAK77KH210A	SPACER (Use w/ Keyed Ring Gear, as req'd)	48	N/A	KIT, Clamp Includes Clamp (1)BWA-3080 Screws (3)BSC-7940
31	MAK77KH216	SPACER (Use w/ Splined Ring Gear, as req'd)	48	N/A	KIT, Clamp Includes Clamp (1)BWA-3081 Screws (3)BSC-7940
32	MAK297KB126	CLAMP	48	N/A	KIT, Clamp Includes Clamp (1)BWA-3090 Screws (3)BSC-7940
32	MAK297KB27CP2	CLAMP (Counterbored Mounting Holes)	48	N/A	KIT, Clamp Includes Clamp (1)BWA-3091 Screws (3)BSC-0004
33	MAK56AX608	O-RING, Cover(LH) (Plastic Cover)	49	MAK50KH320	GASKET, Pinion Housing
33	MAK56AX423	O-RING, Cover(LH) (Metal Cover)	50	MAK25KH21	KIT, Nest(CRDPC92) Includes Washers (2)BWA-3040 (4)BWA-3050 Gears (4)BSP-7460 (2)BSG-2431 Spider(1)EM07910
34	MAK84KH320A	COVER (L.H.) (Metal)			
35	MAK511KB210	DUCT, Oil			
36	MAK6AX1303X	SCREW (3/8in-16 x 1-1/2in)			
37	MAK37AX7U	WASHER			
38	MAK6AX1308X	SCREW (3/8in-16 x 1-1/4in)			

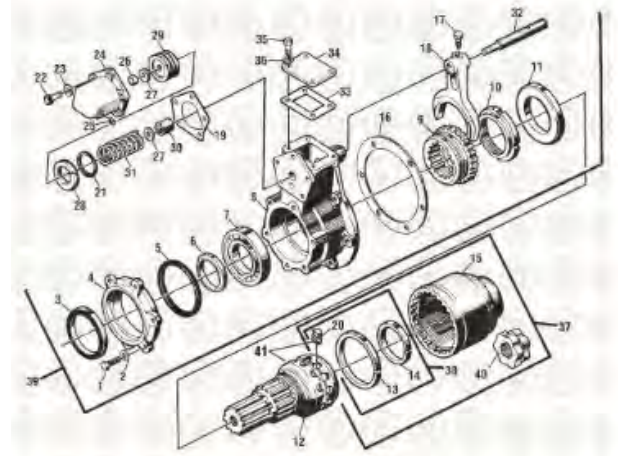
Continued



Continued

MACK DIFFERENTIALS – CRDPC 92/112 – CRDPC 92/112

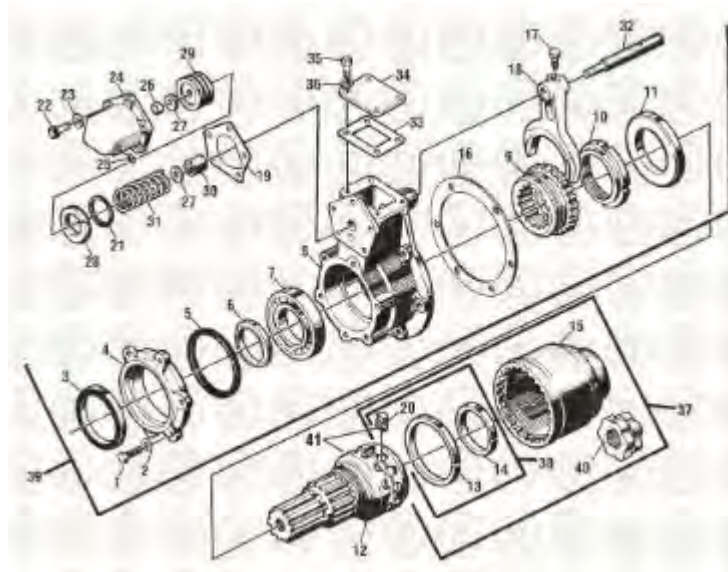
KEY	OEM REF.	DESCRIPTION
50	N/A	KIT, Nest (CRDPC112) Includes Washers (2)BWA-3040 (4)BWA-3050 Gears (2)BSG-7440 (2)BSP-7460 Spider (1)EM07910
50	N/A	KIT, Nest Includes Washers (2)BWA-3040 (4)BWA-3050 Gears (2)BSG-2438 (4)BSP-7460 Spider (1)EM07910
50	N/A	KIT, Nest Includes Washers (2)BWA-307 (4)BWA-3072 Gears (2)BSG-2437 (4)BSP-7460 Spider (1)EM07910
51	N/A	ASSEMBLY, Differential (CRDPC 92) Includes Casing (1)BSC-7025 Net Kit (1)BNK-2155
51	N/A	ASSEMBLY, Differential (CRDPC 112) Includes Casing (1)BSC-7025 Net Kit (1)BNK-2156
52	MAK31KN366	CAM, Power Divider (Outer) (CRDPC 921)
53	MAK32KN37A	CAM, Power Divider (Inner) (CRDPC 921)
54	MAK35KN110	RING, Outer (CRDPC 921)
55	MAK30KN13	WEDGE, Set (CRDPC 921)
56	MAK84KH51	KIT, Cover Includes Cover (1)BCR-7229 O-Ring (1)BGA-2990



MACK DIFFERENTIALS – CRDPC 92/112 – CRDPC 92/112 WITH LOCKOUT

KEY	OEM REF.	DESCRIPTION
1	MAK6AX1317X	SCREW (7/16in-14 x 1-1/4in)
2	MAK36AX4	WASHER
3	MAK88AX440P4	SEAL, Yoke, Front Drive Oil
3	MAK1458-34889	SEAL, Yoke
4	MAK49KH336C	COVER, Power Divider Bearing
5	MAK56AX396	O-RING, Power Divider Bearing Cover
6	MAK77KH152	SPACER, Power Divider Cage
6	MAK77KH213	SPACER, Power Divider Cage (Fine Spline)
7	MAK46AX490	BEARING, Power Divider Cage Ball
8	MAK39KN41BP2	HOUSING, Power Divider Shift
9	MAK97KH21	CLUTCH, Lockout
10	MAK21AX625	NUT, Power Divider Pilot Bearing w/ Lockout
11	MAK91KH15	BEARING, Power Divider Pilot
12	MAK33KN410A	CAGE, Power Divider w/ Lockout (Coarse Spline)
12	MAK33KN412A	CAGE, Power Divider w/Lockout (Fine Spline)
13	MAK35KN17A	RING, Power Divider, Outer
13	MAK35KN24	RING, Power Divider, Outer (Use w/ Wedge Set BWE-1235)
14	MAK35KN16A	RING, Power Divider, Inner
14	MAK35KN23	RING, Power Divider, Inner (Use w/ Wedge Set BWE-1235)
15	MAK31KN44	CAM, Female Power Divider w/ Lockout
15	MAK31KN48	CAM, Female Power Divider w/ Lockout (Fine Spline)
16	MAK50KH249	GASKET
17	MAK7AX264X	SCREW, Lock(Dog Point) (2 req'd)(7/16in-20)
18	MAK98KH21B	FORK, Shift

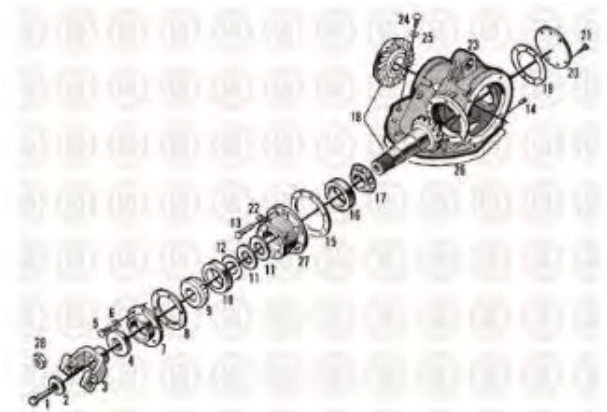
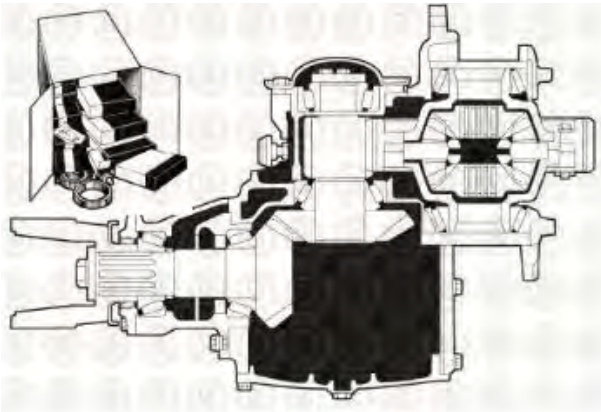
Continued



**MACK DIFFERENTIALS – CRDPC 92/112 – CRDPC 92/112
WITH LOCKOUT**

Continued

KEY	OEM REF.	DESCRIPTION	KEY	OEM REF.	DESCRIPTION
19	MAK629KB132	GASKET	38	N/A	KIT, Wedge Includes Rings (1)BGR-0110 (1)BRG-0120 Wedge Set (1)BWE-1230
20	MAK30KN12	WEDGE, Set(24 pcs.)	38	MAK25KH22	KIT, Wedge (Current) Includes Wedge Set (1)BWE-1235 Rings (1)BRG-0116 (1)BRG-0126
20	MAK30KN114	WEDGE, Set (24 pcs.) (Current)	39	N/A	ASSEMBLY, Lockout Housing Includes Screws (4)ESC-0008 (11)BSC-0011 (1)GSC-6116 Washers (2)BWA-0048 (4)FWA-0050 (1)BWA-0051 Nut (1)BNU-0261 Fork (1)BSF-0620 Spring (1)BSP-2181 Piston (1)BPA-2182 Rail (1)BSH-2183 Spacer (1)BSP-2184 Housing (1)PBH-2185 Cylinder (1)BAC-2186 O-Rings (1)EGA-2995 (1)BGA-3001 Gaskets (1)BGK-3914 (1)GGG-3915 (1)GGG-3918 Felt (1)BFT-5435 Covers (1)BCR-7227 (1)BCR-2179 Clutch (1)BBG-7841 Seal (1)BOS-7697 Bearing (1)BBG-7642
21	MAK56AX283	O-RING, Air Shift Piston	40	MAK32KN38	CAM, Power Divider, Inner (27 Teeth x 1-3/4in Dia. Spline)
22	MAK6AX1317X	SCREW (7/16in-14 x 1-1/4in)	41	MAK33KN417A	KIT, Cage Power Divider (Fine Spline) Includes Cage (1)BCP-2423 Wedge Kit (1)BWK-2161
23	MAK36AX4	WASHER			
24	MAK476KB33B	CYLINDER, Housing (Spring Return)			
24	MAK476KB33AP1	CYLINDER, Housing (Double Action)			
25	MAK49AX244	PLUG			
26	MAK21AX814	NUT (1/2in-20)			
27	MAK31KD152	WASHER			
28	MAK531KB11	FELT			
29	MAK336KC139	PISTON			
30	MAK75KH14	SPACER			
31	MAK96KH11	SPRING			
32	MAK94KH11A	RAIL			
33	MAK50KH110	GASKET			
34	MAK95KH11	COVER			
35	MAK6AX1304X	SCREW (3/8in-16 x 5/8in)			
36	MAK36AX3	WASHER, Lock			
37	N/A	KIT, Power Divider (Fine Spline) Includes Cams (1)BCP-2383 (1)BCP-2390 Rings (1)BRG-0116 (1)BRG-0126 Wedge Set (1)BWE-1235			
37	N/A	KIT, Power Divider (Course Spline) Includes Cams (1)bcp-2381 (1)BCP-2390 Rings (1)BRG-0110 (1)GRG-0120 Wedge Set (1)BWE-1230			



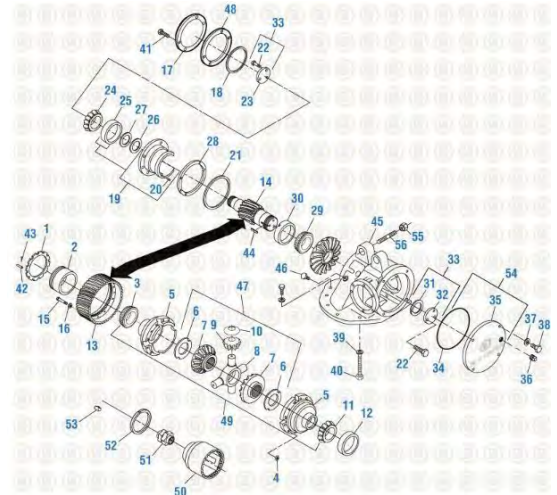
MACK DIFFERENTIALS – CRD 93/113 – SERVICE KITS

MACK DIFFERENTIALS – CRD 93/113 – CRD 93/113

KEY	OEM REF.	DESCRIPTION
1	MAK205SP71B	KIT, Bearing & Seal (Current) (CRDLP 93 & CRD 93/113) Includes (1)GBG-6040 (1)BCU-7120 (1)BCU-7170 (1)BBG-7330 (1)BBG-7340 (1)BCU-7350 (1)BCU-7390 (1)BBG-7400 (1)BCU-7410 (1)BBG-7430 (1)BBG-7470 (1)BOS-7740 (1)BCU-7820 (1)BGK-3913 (1)GGS-3916 (1)BBK-7141-200)
1	MAK205SP32P2	KIT, Bearing & Seal (Non-Current) (CRD 93/113) Includes (2)BBG-7280 (1)BCU-7390 (1)BCU-7351 (1)BBG-7430 (1)BCU-7410 (1)BBG-7401 (1)BCU-7122 (1)GBG-6040 (1)BCU-7170 (1)BBG-7471 (1)BCU-7822 (1)BOX-7741 (1)BBK-7141-200)

KEY	OEM REF.	DESCRIPTION
1	MAK3AX1803X	SCREW, Drive Yoke (7/8in-14 x 3in)
2	MAK297KB219P2	CLAMP
3	MAK171MU52P32	YOKE, Drive (2in x 39 Spline, 2-3/4in Dia. Hub)
3	MAK38MU364P1	YOKE, Drive (2-1/32in x 10 Spline, 2-3/4in Dia. Hub)
4	MAK88AX457	SEAL, Differential (Flanged)
4	MAK88AX354P2	SEAL (Can Use w/ Wear Ring 3793)
5	MAK6AX1359X	SCRE (3/8in-16 x 1in)
6	MAK37AX265	WASHER
7	MAK49KH338B	COVER
8	MAK50KH24P1	GASKET
9	MAK62AX207	CONE, Front Pinion
9	MAK62AX289	CONE, Front Pinion
9	MAK62AX173	CONE, Front Pinion
10	MAK64AX52	CUP, Front Pinion
10	MAK64AX166	CUP
11	N/A	SPACER
12	MAK55KH124	SHIM (.003in thk)
12	MAK55KH124P2	SHIM (.005in thk)
12	MAK55KH124P3	SHIM (.015in thk)
12	MAK55KH124P4	SHIM (.032in thk)
13	MAK6AX1361X	SCREW(5/8in-11 x 1-1/2in)
13	MAK6AX1403X	SCREW (12 pt.) (5/8in-11 x 1-1/2in)
14	MAK49AX73	PLUG, Magnetic
15	MAK51KH263AP10	SHIM, Pinion Housing (.010in thk)
15	MAK51KH263AP12	SHIM, Pinion Housing (.012in thk)
15	MAK51KH263AP15	SHIM, Pinion Housing (.015in thk)

Continued



MACK DIFFERENTIALS – CRD 93/113 – CRD 93/113

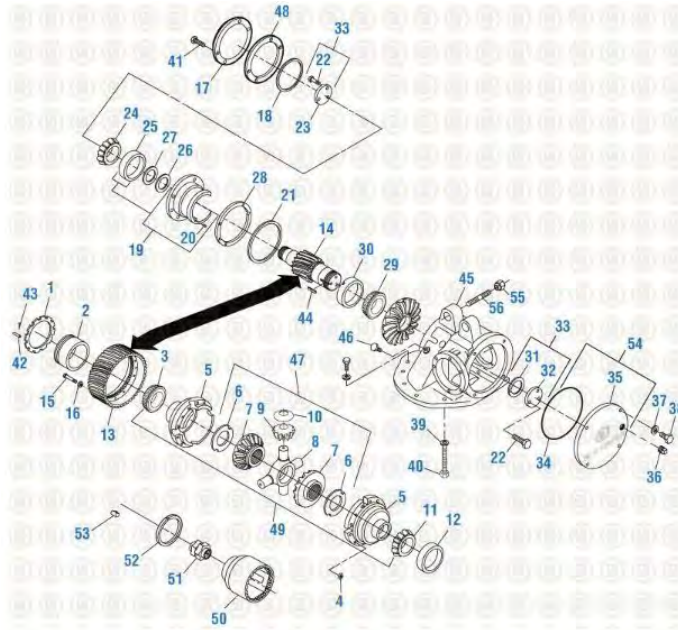
Continued

KEY	OEM REF.	DESCRIPTION
15	MAK51KH263AP31	SHIM, Pinion Housing (.031in thk)
16	MAK64AX195	CUP, Pinion, Rear
17	MAK62AX248	CONE, Pinion, Rear
18	N/A	GEAR
19	MAK50KH252P1	GASKET (.031in thk)
20	MAK57KH231A	COVER, Rear
21	MAK6AX1306X	SCREW (3/8in-16 x 7/8in)
22	MAK36AX7X	WASHER
23	MAK64KH415P2	HOUSING Assembly,Carrier (Stradle Torque Rod Mount) Includes Caps, Screws & Washers
24	MAK3AX1665	SCREW (5/8in-18 x 2in)
24	MAK419GC113B	SCREW (5/8in-18 x 1-3/4in)
25	MAK15QD168P2	WASHER
26	MAK56AX389	O-RING
27	MAK48KH110A	HOUSING, Pinion (Ratios: 4.64,5.02,5.32,5.55,5.73,6.34,6.45,6.56,7.00,7.13,7.49,8.24,9.02,9.15,9.59) Includes Bearings (1)BCU-7410 (1)BCU-7120 Housing(1)
27	MAK48KH111	HOUSING, Pinion (Ratios: 3.86,4.17,4.42,4.50,4.76) Includes Bearings (1)BCU-7410 (1)BCU-7120 Housing(1)
27	MAK48KH111AP2	HOUSING, Pinion (Ratios: 3.65 & 3.87) Includes Bearings (1)BCU-7410 (1)BCU-7120 Housing(1)
28	MAK23AX164	NUT, Drive Yoke

MACK DIFFERENTIALS - CRD 93,113 - CRD 93,113

KEY	OEM REFERENCE	DESCRIPTION
1	MAK43KH223	NUT, Adjusting
2	MAK64AX239	CUP, Carrier (RH)
3	MAK62AX404	CONE, Carrier (RH)
4	MAK20AX6	NUT (9/16in-18)
4	MAK108KH11	NUT(5/8in-18)
5	MAK30KH3296	CASING (2 Pcs.) (Includes Bearings) (Uses Screws (12)BSC-2190) (Forged Steel)
5	MAK30KH3321	CASING(2 Pcs.) (Includes Bearings) (Uses Screws (12)BSC-2190)(Cast Iron)
5	MAK30KH3278B	CASING(2 Pcs.) (Includes Bearings) (Uses Screws (12)BSC-7620)(Cast Iron)
6	MAK38KH218A	WASHER, Thrust,Side Gear
6	MAK38KH220	WASHER, Thrust,Side Gear (Steel)
7	MAK34KH261	GEAR, Side (CRD 93) (Shallow Spline)
7	MAK34KH331	GEAR, Side (CRD93) (Fine Spline)(43T)
7	MAK34KH242C	GEAR, Side (CRD 113)
8	MAK32KH228A	SPIDER (CRD 93/113)
9	MAK33KH263A	GEAR, Pinion, Spider
10	MAK37KH27A	WASHER, Thrust, Pinion
10	MAK37KH210	WASHER, Thrust, Pinion (Steel)
11	MAK62AX471	CONE, Carrier (LH)
12	MAK64AX267	CUP, Carrier (LH)
12	MAK64AX238	CUP, Carrier (LH)
13	MAK61KH460	GEAR, Bull (CRD 931)
13	N/A	GEAR, Bull
14	N/A	PINION

Continued

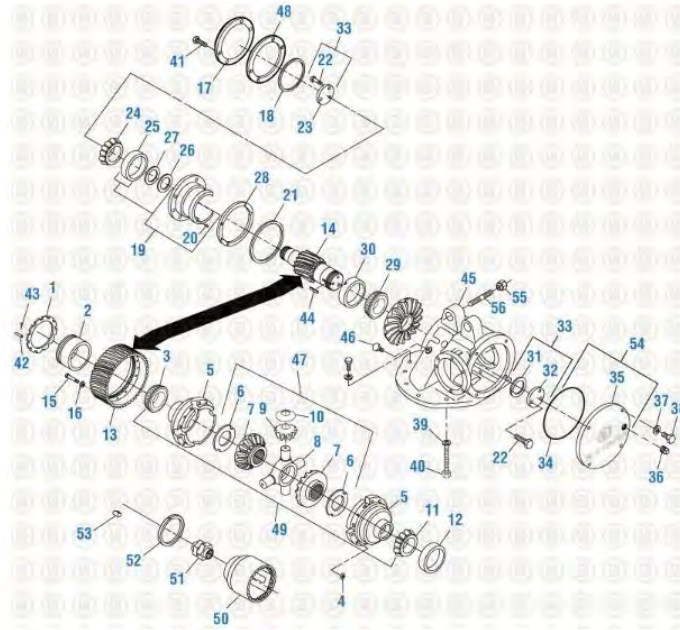


MACK DIFFERENTIALS - CRD 93,113 - CRD 93,113

Continued

KEY	OEM REFERENCE	DESCRIPTION	KEY	OEM REFERENCE	DESCRIPTION
15	MAK3AX1742	SCREW, Carrier (5/8in-18 x 2-1/4in) (BCS-7020 & BCS-7025) (12 req'd)	28	MAK51KH264AP10	SHIM, Pinion Adjustment (.010in thk)
15	MAK3AX1804	SCREW, Carrier (9/16in-18 x 2-1/4in) (BCS-7030 & BCS-7035) (Use w/ Washers BWA-7230) (12 req'd)	28	MAK51KH264AP12	SHIM, Pinion Adjustment (.012in thk)
15	MAK72KH23	SCREW, Carrie (5/8in-18 x 2-5/8in) (BCS-7020 & BCS-7025) (Use w/ Nuts BNU-7001) (12 req'd)	28	MAK51KH264AP15	SHIM, Pinion Adjustment (.015in thk)
16	MAK67KH112	WASHER (9/16in)	28	MAK51KH264AP31	SHIM, Pinion Adjustment (.031in thk)
17	MAK57KH234B	COVER, Helical Pinion	29	MAK62AX408	CONE, Spur Pinion (LH)
18	MAK56AX450	O-RING, Cover(RH)	29	MAK62AX437	CONE, Spur Pinion (LH)
19	MAK53KH195D	RETAINER Assembly , Includes Lock Pin (1)BPN-5122 Cup (1)BCU-7170	30	MAK64AX288	CUP, Spur Pinion (LH)
20	MAK31AX57	PIN, Lock	30	MAK64AX261	CUP, Spur Pinion (LH)
21	MAK56AX432	O-RING, Cover (RH)	31	MAK77KH210A	SPACER (Use w/ Keyed Ring Gear, as req'd)
22	MAK3AX1883X	SCREW (1/2in-20 x 1-3/4in) (Use w/ BWA-3091)	31	MAK77KH216	SPACER (Use w/ Splined Ring Gear, as req'd)
22	MAK3AX1797X	SCREW (1/2in-20 x 1-1/2in) (Use w/ BWA-3080, BWA-3081, BWA-3090)	32	MAK297KB126	CLAMP
23	MAK297KB116C	CLAMP (Use w/ Cast Iron Cover)	32	MAK297KB27CP2	CLAMP
23	MAK297KB28	CLAMP (Use w/ Stamped Cover)	33	N/A	KIT, Clamp Includes (1)BWA-3080 (3)BSC-7940
24	MAK62AX166	CONE, Spur Pinion (RH)	33	N/A	KIT, Clamp Includes (1)BWA-3081 (3)BSC-7940
24	MAK62AX188	CONE, Spur Pinion (RH)	33	N/A	KIT, Clamp Includes (1)BWA-3090 (3)BSC-7940
25	MAK64AX90	CUP, Spur Pinion (RH)	33	N/A	KIT, Clamp Includes (1)BWA-3091 (3)BSC-0004
26	N/A	SHIM	34	MAK56AX608	O-RING, Cover (LH) (Plastic Cover)
27	N/A	SPACER	34	MAK56AX423	O-RING, Cover (LH) (Metal Cover)

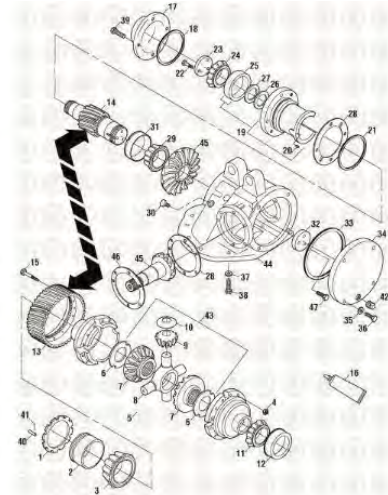
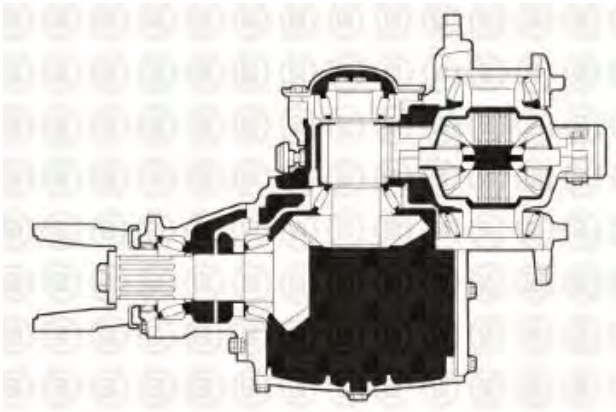
Continued



MACK DIFFERENTIALS - CRD 93,113 - CRD 93,113

Continued

KEY	OEM REFERENCE	DESCRIPTION	KEY	OEM REFERENCE	DESCRIPTION
35	MAK84KH320A	COVER (Metal) (LH)	47	N/A	KIT, Nest Includes Washers (2)BWA-3071 (4)BWA-3072 Gears (2)BSG-2437 (4)BSP-7460 Spider (1)EM0791HP
36	MAK63AX115	PLUG, Filler	48	MAK50kh320	GASKET, Pinion Housing
37	MAK37AX7U	WASHER	49	N/A	ASSEMBLY, Differential (CRD 93) Includes (1)BCS-7025 (1)BNK-2155)
38	MAK6AX1308X	SCREW (3/8in-16)	49	N/A	ASSEMBLY, Differential (CRD 113) Includes (1)BCS-7025 (1)BNK-2156
39	MAK35AX1251	WASHER, Bearing Cap	50	MAK31KN366	CAM, Power Divider (Outer) (CRD 931)
40	MAK6AX773	SCREW, Bearing Cap (3/4in-10 x 5in)	51	MAK32KN37A	CAM, Power Divider (Inner) (CRD 931)
41	MAK6AX1324X	SCREW (1/2in-13 x 1-1/2in)	52	MAK35KN110	RING, Outer
41	MAK6AX1681	SCREW (1/2in-13 x 1-1/2in, Flanged Hex, Grade 5)	53	MAK30KN13	WEDGE, Set
42	MAK31AX59	PIN, Adjustment Lock	54	MAK84KH51	KIT, Cover Includes Cover (1)BCR-7229 O-Ring (1)BGA-2990
43	MAK29AX5	PIN, Cotter	55	MAK21AX440	NUT, Locking (3/4in-16)
44	N/A	KEY, Ring Gear	56	MAK43RU1717A	STUD (3/4in-10)
45	MAK64KH415P2	HOUSING Assembly, Carrier (Straddle Torque Rod Mount) Includes Caps, Screws & Washers			
46	MAK541KB29	BREATHER			
47	MAK25KH21	KIT, Nest (CRD 93) Includes Washers (2)BWA-3040 (4)BWA-3050 Gears (4)GSP-7460 (2)BSG-2431 Spider (1)EM07910			
47	N/A	KIT, Nest (CRD 113) Includes Washers (2)BWA-3040 (4)BWA-3050 Gears (2)BSG-7440 (4)BSP-7460 Spider (1)EM07910			
47	N/A	KIT, Nest (CRD 93) Includes Washers (2)BWA-3040 (4)BWA-3050 Gears (2)BSG-2438 (4)BSP-7460 Spider (1)EM07910			



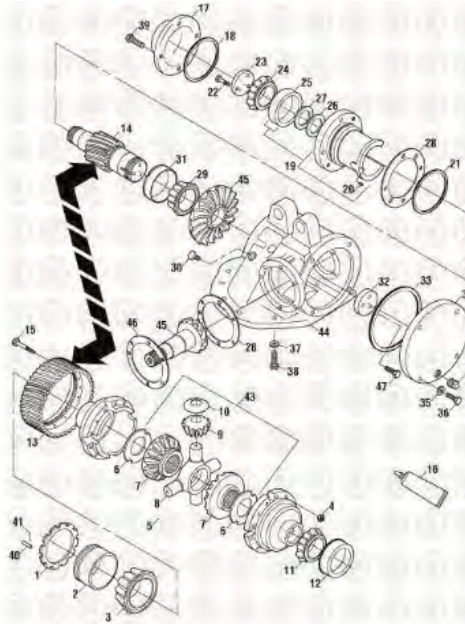
MACK DIFFERENTIALS – CRD 93A – SERVICE KITS

KEY	OEM REF.	DESCRIPTION
1	N/A	KIT, Bearing & Seal (Current) Includes Bearings (1)GBG-6040 (1)BCU-7120 (1)BCU-7170 (1)BCU-7350 (1)BBG-7090 (1)BCU-7410 (1)BBG-7430 (1)BBG-7470 (1)BCU-7820 (1)BCU-7390 (1)EM73300 (1)EM73400 Gaskets (1)BGK-3913 (1)GGS-3916 Seal (1)BOS-7310-CR O-Ring Kit (1)BBK-7141-200
1	N/A	KIT, Bearing & Seal (Early) Includes Bearings (1)GBG-6040 (1)BCU-7120 (1)BCU-7170 (1)BBG-7330 (1)BBG-7340 (1)BCU-7350 (1)BBG-7194 (1)GCU-7453 (2)BBG-7470 (1)BCU-7820 (1)BCU-7390 Gaskets (1)BGK-3913 (1)GGS-3917 Seal (1)BOS-7310-CR O-Ring Kit (1)BBK-7141-200

MACK DIFFERENTIALS – CRD 93A – CRD 93A

KEY	OEM REF.	DESCRIPTION
1	MAK43KH223	NUT, Adjusting
2	MAK64AX239	CUP, Carrier (RH)
3	MAK62AX404	CONE, Carrier (RH)
4	MAK108KH11	NUT (5/8in-18)
5	MAK30KH3296	CASING (2 Pcs.) (Forged Steel) Includes Bearings
5	MAK30KH3321	CASING (2 Pcs.) (Cast Iron) Includes Bearings
6	MAK38KH220	WASHER, Side Gear Thrust
7	MAK34KH261	GEAR, Side
8	MAK32KH228A	SPIDER
9	MAK33KH263A	GEAR, Spider
10	MAK37KH27A	WASHER, Pinion Thrust
10	MAK37KH210	WASHER, Pinion Thrust
11	MAK62AX471	CONE, Carrier (LH)
12	MAK64AX267	CUP, Carrier (LH)
13	N/A	GEAR, Bull
14	N/A	PINION
15	MAK72KH23	SCREW, Carrier (5/8in-18 x 2-5/8in) (For Casings BCS-7020, BCS-7025) (Use w/ BNU-7001 Nuts)
16	MAK342SX32	SEALANT, Silicone Rubber
16	MAK3092340	SEALANT, Silicone Rubbe (Cartridge gun tube 310ml)
17	MAK57KH234B	COVER, Helical Pinion
18	MAK56AX450	O-RING (Optional)
19	MAK53KH195D	RETAINER, Assembly Includes Lock Pin (1)BPN-5122 Cup (1)BCU-7170
20	MAK31AX57	PIN, Lock
21	MAK56AX432	O-RING, Cover(RH)
22	MAK3AX1883X	SCREW (1/2in-20 x 1-3/4in) (Use w/BWA-3091)
23	MAK297KB28	CLAMP (Use w/ Stamped Cover)

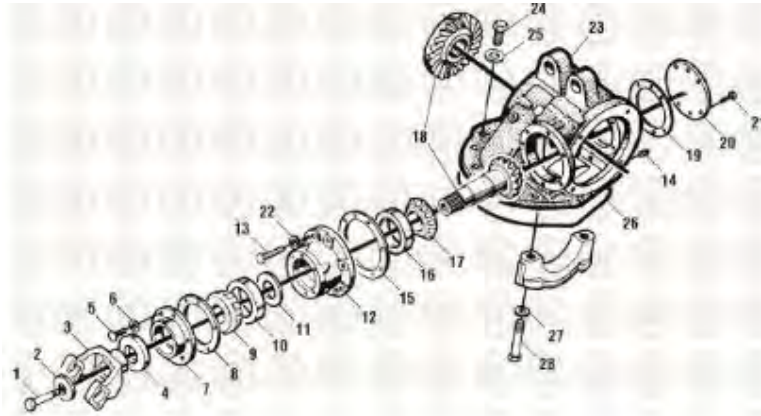
Continued



MACK DIFFERENTIALS – CRD 93A – CRD 93A

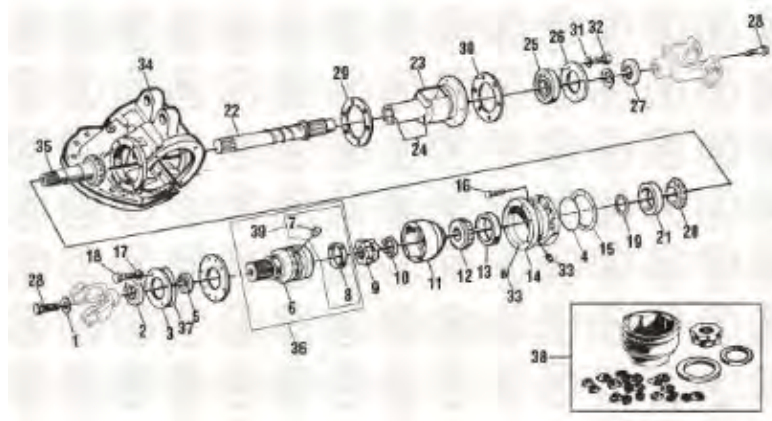
Continued

KEY	OEM REF.	DESCRIPTION	KEY	OEM REF.	DESCRIPTION
24	MAK62AX166	CONE, Spur Pinion (RH)	44	MAK64KH415P2	HOUSING Assembly, Carrier (Straddle Torque Rod Mount) Includes Caps, Screws & Washers
25	MAK64AX90	CUP, Spur Pinion (RH)	45	N/A	SET, Gear
26	N/A	SHIM	46	MAK50KH24P1	GASKET
27	N/A	SPACER	47	MAK3AX1797X	SCREW (1/2in-20 NF x 1-1/2in)
28	MAK51KH263AP10	SHIM, Pinion Adjustment (.010in thk)			
28	MAK51KH263AP12	SHIM, Pinion Adjustment (.012in thk)			
28	MAK51KH263AP15	SHIM			
28	MAK51KH263AP31	SHIM, Pinion Adjustment (.031in thk)			
29	MAK62AX408	CONE, Spur Pinion (LH)			
30	MAK541KB29	BREATHER			
31	MAK64AX288	CUP, Spur Pinion (LH)			
32	MAK297KB27CP2	CLAMP			
33	MAK56AX423	O-RING, Cover (LH)			
34	MAK84KH320A	COVER, Metal (LH)			
35	MAK37AX7U	WASHER			
36	MAK6AX1308X	SCREW (3/8in-16 x 1-1/4in)			
37	MAK35AX1251	WASHER, Bearing Cap			
38	MAK6AX773	SCREW, Bearing Cap (3/4in-10 x 5in)			
39	MAK6AX1324X	SCREW (1/2in-13 x 1-1/2in)			
40	MAK31AX59	PIN, Adjustment Lock			
41	MAK29AX5	PIN, Cotter			
42	MAK49AX224	PLUG, Filler			
43	MAK25KH21	KIT, Nest Includes Spider (1)BSP-0791 Gears (2)BSG-2431 (4)BSP-7460 Washers (2)BWA-3040 (4)BWA-3050			



MACK DIFFERENTIALS - CRD 93A - CRD 93A

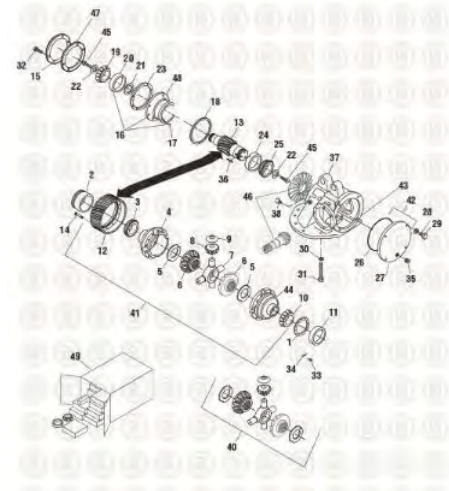
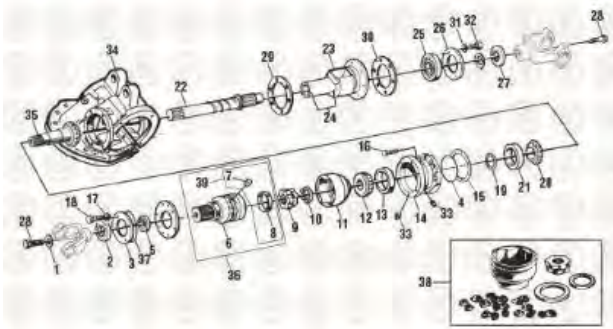
KEY	OEM REF.	DESCRIPTION	KEY	OEM REF.	DESCRIPTION
1	MAK3AX1803X	SCREW, Drive Yoke (7/8in-14 x 3in)	16	MAK64AX242	CUP, Pinion, Rear (Early)
2	MAK297KB29A	CLAMP (3-1/4in Dia.)	17	MAK62AX248	CONE, Pinion, Rear
3	MAK171MU52P31	YOKE, Drive (2-3/8in x 46 Spline,3-1/2in Dia. Hub)	17	MAK62AX408	CONE, Pinion, Rear (Early)
4	MAK88AX440P4	SEAL	18		RING & PINION
4	MAK1458-34889	SEAL	19	MAK50KH252P1	GASKET (.031in thk)
5	MAK6AX1308X	SCREW (3/8in-16 x 1-1/4in)	20	MAK57KH231A	COVER, Rear
6	MAK36AX3	WASHER, Lock (3/8in)	21	MAK6AX1306X	SCREW (3/8in-16 x 7/8in)
7	MAK49KH273	COVER	22	MAK36AX7X	WASHER, Lock
8	MAK50KH24P1	GASKET	23	MAK64KH415P2	HOUSING Assembly, Carrier (Straddle Torque Rod Mount) Includes Caps, Screws & Washers)
9	MAK62AX49	CONE, Pinion, Front	23	MAK64KH378P1	HOUSING Assembly, Carrier (Tapered Torque Rod Mount) Includes Caps, Screws & Washers)
10	MAK64AX52	CUP, Pinion, Front	24	MAK3AX1665	SCREW (5/8in-18 x 2in)
11		SPACER	24	MAK419GC113B	SCREW (5/8in-18 x 1-3/4in)
12	MAK48KH110A	HOUSING, Pinion (Ratios: 4.64,5.02,5.32,5.55,5.73 ,6.34,6.45,6.56,7.00,7.13,7.49,8. 24,9.02,9.15,9.59)	25	MAK15QD168P2	WASHER
12	MAK48KH111	HOUSING, Pinion (Ratios: 3.86,4.17, 4.42,4.50,4.76)	26	MAK56AX389	O-RING
13	MAK6AX1403X	SCREW (12 pt.) (5/8in-11 x 1-1/2in)	27	MAK35AX1251	WASHER
14	MAK49AX73	PLUG, Magnetic	28	MAK6AX773	SCREW (3/4in-10 x 5in)
15	MAK51KH263AP10	SHIM, Pinion Housing (.010in thk)			
15	MAK51KH263AP12	SHIM, Pinion Housing (.012in thk)			
15	MAK51KH263AP15	SHIM, Pinion Housing (.015in thk)			
15	MAK51KH263AP31	SHIM, Pinion Housing (.031in thk)			
16	MAK64AX195	CUP, Pinion,Rear			



MACK DIFFERENTIALS – CRD 150 – CRD 150

KEY	OEM REF.	DESCRIPTION	KEY	OEM REF.	DESCRIPTION
1	MAK297KB29A	CLAMP, Front Drive Yoke	15	MAK51KH321P15	SHIM, Pinion Housing (.015in thk)
2	MAK88AX458	SEAL, Differential Yoke (Flanged)	16	MAK6AX1735	SCREW(12pt) (5/8in-11 x 1-1/2in)
3	MAK49KH336C	COVER, Front Seal	17	MAK36AX4	WASHER (7/16in I.D.)
4	MAK561KC210	O-RING	18	MAK6AX1360X	SCREW (7/16in-14 x 1-1/2in)
5	MAK46AX533	BEARING, Cage (w/o Lockout)	19	N/A	SPACER
5	MAK46AX490	BEARING, Cage (w/ Lockout)	20	MAK89KB27	CONE, Bearing
6	MAK33KN411A	CAGE, Power Divider (Fine Spline) (w/o Lockout)	21	MAK89KB24	CUP, Bearing
6	MAK33KN412A	CAGE, Power Divider (Fine Spline) (w/ Airlock)	22	MAK90KH410	SHAFT, Interaxle Assembly
7	MAK30KN114	WEDGE, Set,Differential Power Divider (24 pcs.) (Current)	23	MAK53KH261B	RETAINER Assembly (Includes Tube)
8	MAK35KN24	RING, Outer Power Divider (Use w/ BWE-1235 Wedge Set) (Current)	24	MAK88KH25A	TUBE
9	MAK32KN38	CAM, Inner Power Divider (27 Teeth x 1-3/4 Dia. Spline)	25	MAK46AX531	BEARING
10	MAK267KC234	NUT, Pinion (2-3/8in-12 - Locking) (2-3/8in-12)	26	MAK49KH339B	COVER
11	MAK31KN415	CAM, Outer Power Divider (w/ Lockout)	27	MAK88AX456	SEAL
11	MAK31KN416	CAM, Outer Power Divider (w/o Lockout)	28	MAK21AX907	NUT, Locking (1-1/2in-18)
12	MAK89KB25	CONE, BEARING	29	MAK50KH252P1	GASKET (.03in thk)
13	MAK64AX276	CUP, Front Pinion	30	MAK50KH252P2	GASKET (.015in thk)
14	MAK36KN428	HOUSING, Pinion Assembly	31	MAK37AX265	WASHER
15	MAK51KH321P10	SHIM, Pinion Housing (.010in thk)	32	MAK6AX1733	SCREW
15	MAK51KH321P12	SHIM, Pinion Housing (.012in thk)	33	MAK49AX224	PLUG
			34	MAK21180685	HOUSING
			35	MAK24KH21	SET, Gear (19/23 T) (3.56, 3.79, 3.98 Ratio)
			35	MAK21130919	SET, Gear (15/23 T) (4.50, 4.50, 4.80, 5.31, 5.66 Ratio)

Continued



MACK DIFFERENTIALS – CRD 150 – CRD 150

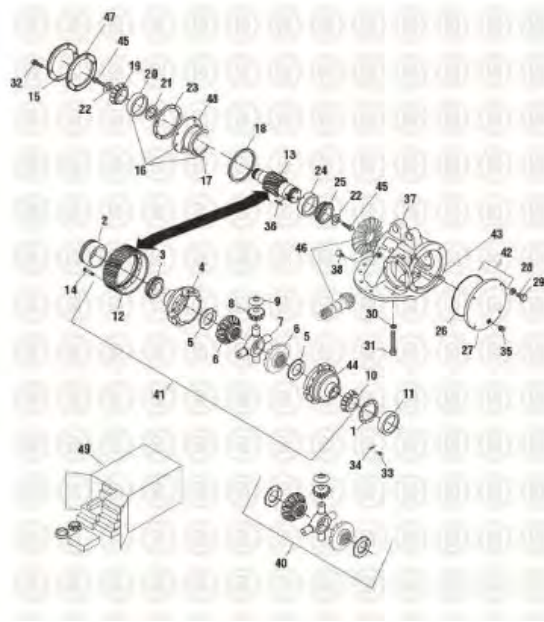
Continued

KEY	OEM REF.	DESCRIPTION
36	MAK33KN416A	KIT, Cage (Fine Spline) (w/o Air Lockout) Includes Cage (1)BCP-2422 Wedge Set (1)BWE-1235 Rings (1)BRG-0116 (1)BRG-0126
36	MAK33KN417A	KIT, Cage (Fine Spline) (w/ Air Lockout) Includes Cage (1)BCP-2433 Wedge Set (1)BWK-2161
37	MAK56AX396	O-RING
38	N/A	KIT, Power Divider (w/ Air Lockout) Includes Outer Cam (1)808100 Inner Cam (1)BCP-2390 Wedge Set (1)BWK-2161
38	N/A	KIT, Power Divider (w/o Air Lockout) Includes Outer Cam (1)808101 Inner Cam (1)BCP-2390 Wedge Set (1)BWK-2161
39	MAK25KH22	KIT, Wedge Differential Power Divider Includes Wedge set (1)BWE-1235 Rings (1)BRG-0116 (1)BRG-0126
40	MAK561KC211	SEAL, Pinion (Illustration coming soon)

MACK DIFFERENTIALS – CRD 150 – CRD 150

KEY	OEM REF.	DESCRIPTION
1	MAK43KH223	NUT, Adjusting
2	MAK64AX267	CUP, Carrier (RH)
3	MAK62AX471	CONE, Carrier(RH)
4	MAK30KH519	CASE (RH)
5	MAK38KH220	WASHER, Side Gear Thrust (Steel)
6	MAK34KH263	GEAR, Side(Fine Spline) (43T)
7	MAK32KH228A	SPIDER
8	MAK33KH263A	GEAR, Pinion Spider
9	MAK37KH210	WASHER, Pinion Thrust (Steel)
10	MAK62AX404	CONE, Carrier(LH)
11	MAK64AX239	CUP, Carrier (LH)
12	N/A	GEAR, Bull (Refer to page)
13	N/A	GEAR, Helical Pinion (Refer to page)
14	MAK72KH23	SCREW, Carrier (5/8in-18 x 2-5/8in)
15	MAK57KH311	COVER, Helical Pinion
16	MAK53KH3104	RETAINER, Assembly
17	MAK31AX92	PIN, Lock
18	MAK56AX542	O-RING
19	MAK62AX166	CONE, Spur Pinion (RH)
20	MAK64AX90	CUP, Spur Pinion (RH)
21	N/A	CHART, Shim
22	MAK297KB124P1	CLAMP, Plate
23	MAK51KH320P10	SHIM, Pinion Adjustment (.012in thk)
23	MAK51KH320P12	SHIM, Pinion Adjustment (.012in thk)
23	MAK51KH320P15	SHIM, Pinion Adjustment (.012in thk)
24	MAK89KB26	CUP, Spur Pinion
25	MAK89KB27	CONE, Spur Pinion (LH)

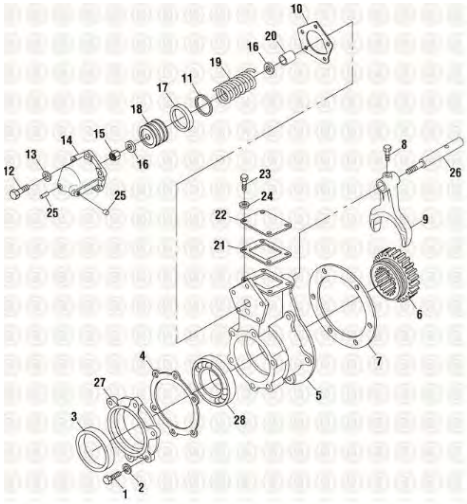
Continued



MACK DIFFERENTIALS – CRD 150 – CRD 150

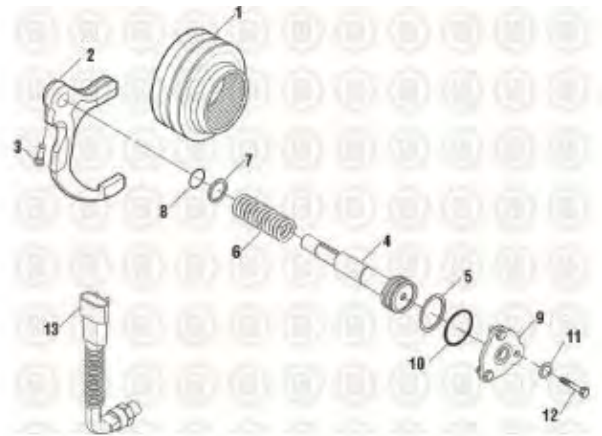
Continued

KEY	OEM REF.	DESCRIPTION	KEY	OEM REF.	DESCRIPTION
26	MAK56AX608	O-RING, Cover (LH) (Plastic Cover)	41	MA21392162	ASSEMBLY, Differential
26	MAK56AX423	O-RING, Cover (LH) (Metal Cover)	42	MAK84KH51	KIT, Cover Includes Cover (1)BCR-7229 O-Ring (1)BGA-2990
27	MAK84KH320A	COVER (LH) (Metal)	43	MAK49AX73	PLUG (Magnetic 1/2NPT)
28	MAK37AX7U	WASHER	44	MAK25109848	CASE (LH)
29	MAK6AX1734	SCREW	45	MAK3AX1803X	SCREW (7/8in-14)
30	MAK35AX1251	WASHER, Bearing Cap	46	N/A	SET, Gear (Refer to Gear Application)
31	MAK6AX773	SCREW, Bearing Cap (3/4in-10 x 5in)	47	MAK50KH319	GASKET
32	MAK6AX1737	SCREW (1/2in-13 x 1-1/2in)	48	MAK53KH435	RETAINER
33	MAK31AX59	PIN, Adjustment Lock	49	N/A	KIT, Bearing and Seal (w/ Air Lockout) Includes Bearings (1)BCU-7170 (1)BCU-7350 (1)BBG-7330 (1)BBG-7340 (1)BCU-7390 (2)806999 (1)806937 (1)GBG-6040 (1)BCU-7500 (1)806936 (1)806998 (1)BBG-7642 (1)BBG-7640 Seals (1)BOS-7697 (1)BOS-7695 O-Rings (1)121380 (1)121377 (1)BGA-2939 (1)321397 (1)BGA-2990 (1)BGA-3001 (1)EGA-299 Wear Ring (1)808107 Gasket (1)BGK-3831 (1)GGG-3915 (1)GGG-3970-019 (1)GGG-3918 (1)BGK-3908 (1)GGG-3916 (2)GGG-3917 Felt (1)BFT-5435
34	MAK29AX5	PIN, Cotter			
35	MAK49AX224	PLUG, Filler(Magnetic) (Used with Metal Cover) (3/4 NPT)			
35	MAK49AX309	PLUG, Filler (Used w/ Plastic Cover)			
36	MAK151KC123	KEY			
37	MAK21180685	HOUSING, Carrier Assembly (Straddle Torque Rod Mount)			
38	MAK541KB29	BREATHER			
39	MAK50KH319	GASKET, Pinion Housing			
40	N/A	KIT, Nest Includes Gears (2)BSG-2438 (4)BSP-7460 Washers (2)BWA-3040 (4)BWA-3050 Spider (1)EM07910			
40	N/A	KIT, Nest (CRD150) Includes Gears (2)BSG-2437 (4)BSP-7460 Washers (2)BWA-3071 Clamps (4)BWA-3072 Spider (1)EM07910			



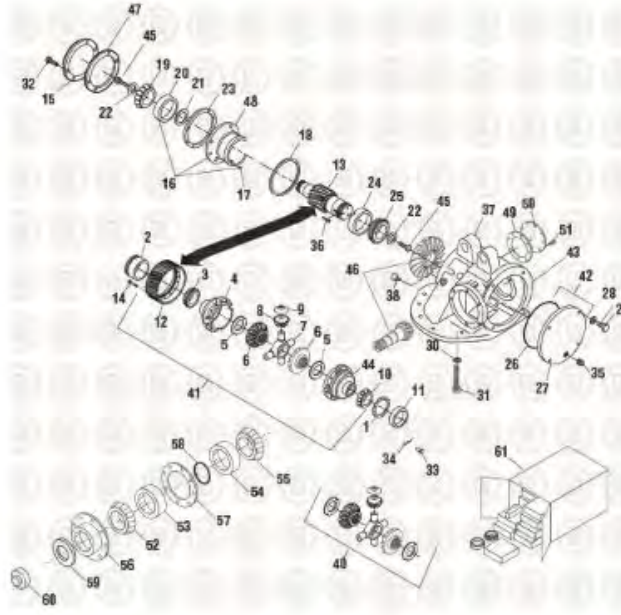
MACK DIFFERENTIALS – CRD 150 – CRD 150 W/ LOCKOUT

KEY	OEM REFERENCE	DESCRIPTION
1	MAK6AX1317X	SCREW (7/16in-14 x 1-1/4in)
2	MAK36AX4	WASHER
3	MAK88AX458	SEAL, Yoke
4	MAK50KH233	GASKET
5	MAK39KN41BP2	HOUSING, Power Divider Shift
6	MAK97KH21	CLUTCH, Lockout
7	MAK50KH249	GASKET
8	MAK7AX264X	SCREW (7/16in-20)
9	MAK98KH21B	FORK, Shift
10	MAK629KB132	GASKET
11	MAK56AX283	O-RING, Air Shift Piston
12	MAK6AX1317X	SCREW (7/16in-14 x 1-1/4in)
13	MAK36AX4	WASHER
14	MAK476KB33B	CYLINDER
15	MAK21AX814	NUT (1/2in-20)
16	MAK31KD152	WASHER
17	MAK531KB11	FELT
18	MAK336KC139	PISTON
19	MAK96KH22	SPRING, Interlock
20	MAK75KH14	SPACER
21	MAK648KB23	GASKET
22	MAK95KH11	COVER
23	MAK6AX1304X	SCREW (3/8in-16 x 5/8in)
24	MAK36AX3	WASHER, Lock
25	MAK49AX138	PLUG
26	MAK94KH11A	RAIL
27	49KH336C	COVER
28	MAK46AX490	BEARING



MACK DIFFERENTIALS – CRD 150 – CRD 150 ASSEMBLY

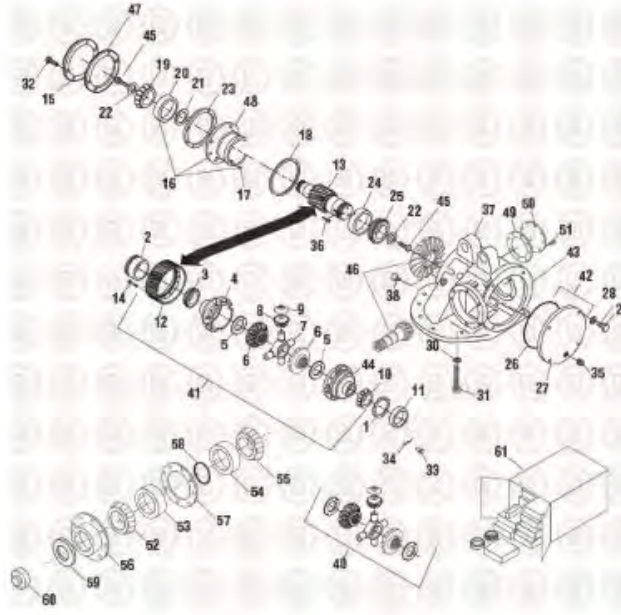
KEY	OEM REF.	DESCRIPTION
1	MAK97KH32	CLUTCH, Gear
2	MAK98KH41	CLUTCH, Fork
3	MAK551KC220	SCREW, Set (5/16 x 1-1/8in, 12pt head)
4	MAK93KH41	PISTON, Rod
5	MAK561KC27	WEAR, Ring
6	MAK96KH22	SPRING
7	MAK37AX98	WASHER
8	MAK561KC29	O-RING
9	MAK57KH312	COVER
10	MAK969397	O-RING
11	MAK36AX22	WASHER
12	MAK4AX99	SCREW
13	MAK1MR3612M	SWITCH



MACK DIFFERENTIALS – CRD 151 – CRD 151

KEY	OEM REF.	DESCRIPTION	KEY	OEM REF.	DESCRIPTION
1	MAK43KH223	NUT, Adjusting	23	MAK51KH320P15	SHIM, Pinion Adjustment (.015in thk)
2	MAK64AX267	CUP, Carrier (RH)	24	MAK89KB26	CUP, Bearing
3	MAK62AX471	CONE, Carrier (RH)	25	MAK89KB27	CONE, Spur Pinion (LH)
4	MAK30KH519	CASE (RH)	26	MAK56AX608	O-RING, Cover (LH) (Plastic Cover)
5	MAK38KH220	WASHER, Side Gear Thrust (Steel)	26	MAK56AX423	O-RING, Cover (LH) (Metal Cover)
6	MAK34KH263	GEAR, Side (Fine Spline) (43T)	27	MAK84KH320A	COVER (LH) (Metal)
7	MAK32KH228A	SPIDER	28	MAK37AX7U	WASHER
8	MAK33KH263A	GEAR, Pinion Spider	29	MAK6AX1734	SCREW
9	MAK37KH210	WASHER, PinionThrust (Steel)	30	MAK35AX1251	WASHER, Bearing Cap
10	MAK62AX404	CONE, Carrier (LH)	31	MAK6AX773	SCREW, Bearing Cap (3/4in-10 x 5in)
11	MAK64AX239	CUP, Carrier (LH)	32	MAK6AX1737	SCREW (1/2in-13 x 1-1/2in)
12	N/A	GEAR, Bull	33	MAK31AX59	PIN, Adjustment Lock
13	N/A	GEAR, Helical Pinion	34	MAK29AX5	PIN, Cotter
14	MAK72KH23	SCREW, Carrier (5/8in-18 x 2-5/8in)	35	MAK49AX224	PLUG, Filler (Magnetic) (Used with Metal Cover) (3/4 NPT)
15	MAK57KH311	COVER, Helical Pinion	35	MAK49AX309	PLUG, Filler (Used w/ Plastic Cover)
16	MAK53KH3104	RETAINER, Assembly Includes Lock Pin (1) Cup (1)BCU-7170	36	MAK151KC123	KEY
17	MAK31AX92	PIN, Lock	37	MAK21180685	HOUSING, Carrier Assembly (Straddle Torque Rod Mount)
18	MAK56AX542	O-RING	38	MAK541KB29	BREATHER
19	MAK62AX166	CONE, Spur Pinion (RH)	39	MAK50KH319	GASKET, Pinion Housing
20	MAK64AX90	CONE, Spur Pinion (RH)	40	N/A	KIT, Nest Includes Gears (2)BSG-2438 (4)BSP-7460 Washers (2)BWA-3040 (4)BWA-3050 Spider (1)EM07910
21	N/A	CHART, Shim			
22	MAK297KB124P1	CLAMP, Plate			
23	MAK51KH320P10	SHIM, Pinion Adjustment (.010in thk)			
23	MAK51KH320P12	SHIM, Pinion Adjustment (.012in thk)			

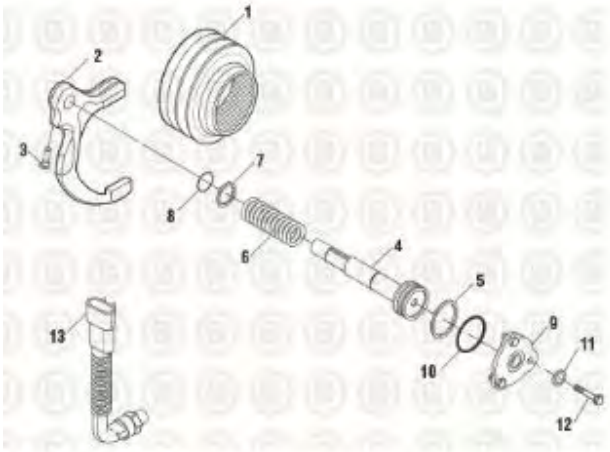
Continued



MACK DIFFERENTIALS – CRD 151 – CRD 151

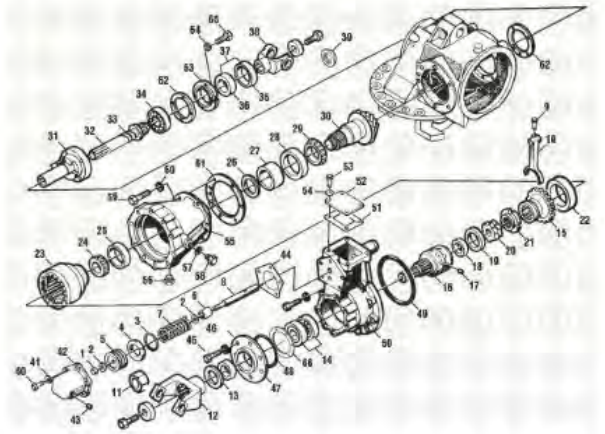
Continued

KEY	OEM REF.	DESCRIPTION	KEY	OEM REF.	DESCRIPTION
40	N/A	KIT, Nest (CRD150) Includes Gears (2)BSG-2437 (4)BSP-7460 Washers (2)BWA-3071 (4)BWA-3072 Spider (1)BSD-0791HP	57	MAK51KH321P15	SHIM
41	MAK21392162	ASSEMBLY, Differential	58	MAK561KC210	O-RING
42	MAK84KH51	KIT, Cover Includes Cover (1)BCR-7229 O-Ring (1)BGA-2990	59	MAK32QJ35	SEAL, Oil
43	MAK49AX73	PLUG (Magnetic 1/2NPT)	60	MAK267KC237	NUT, Retainer
44	MAK25109848	CASE (LH)	61	N/A	KIT, Bearing Includes Bearings (1)BCU-7170 (1)806937 (1)806936 (1)GBG-6040 (2)806999 (1)BCU-7350 (1)BBG-7330 (1)BBG-7340 (1)BCU-7390 (1)806998 (1)BCU-7500 Gaskets (1)BGK-3831 (1)GGG-3916 O-Rings (1)BGA-2939 (1)321397 (1)BGA-2990 (1)121377 (1)121380 Seal (1)836025
45	MAK3AX1803X	SCREW	62	MAK561KC211	SEAL, Pinion (Illustration coming soon)
46	MAK24KH21	SET, Gear (3.56, 3.79, 3.98 Ratio)(19/23 T)			
46	MAK21130919	SET, Gear (4.50, 4.80, 5.04, 5.31, 5.66 Ratio) (15/23 T)			
47	MAK50KH319	GASKET			
48	MAK53KH435	RETAINER			
49	MAK50KH319	GASKET			
50	MAK57KH231A	COVER			
51	MAK25501162	BOLT			
52	MAK89KB25	CONE, Bearing			
53	MAK64AX276	CUP			
54	MAK89KB24	CUP			
55	MAK89KB27	CONE, Spur Pinion (LH)			
56	MAK48KH428	HOUSING, Pinion Packed with Cups (1)BCU-7500 (1)806936			
57	MAK51KH321P10	SHIM			
57	MAK51KH321P12	SHIM			



MACK DIFFERENTIALS – CRD 151 – CRD 151 - ASSEMBLY

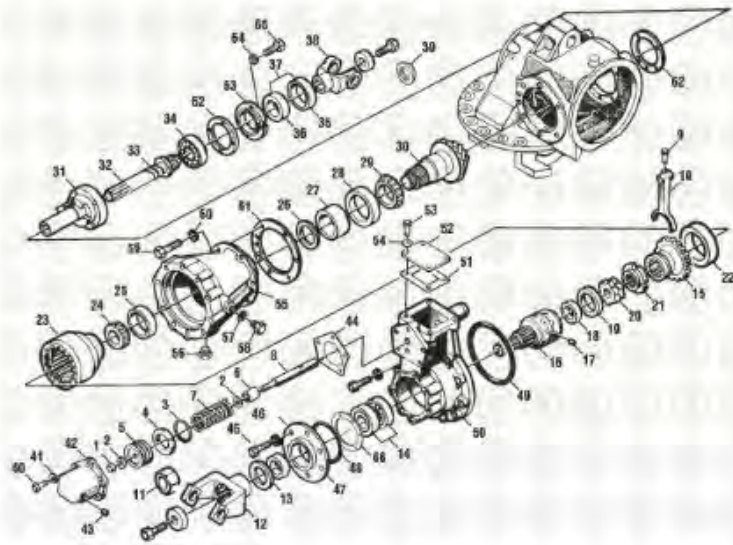
KEY	OEM REF.	DESCRIPTION
1	MAK97KH32	CLUTCH, Gear
2	MAK98KH41	CLUTCH, Fork
3	MAK551KC220	SCREW, Set (5/16 x 1-1/8in, 12pt head)
4	MAK93KH41	PISTON, Rod
5	MAK561KC27	WEAR, Ring
6	MAK96KH22	SPRING
7	MAK37AX98	WASHER
8	MAK561KC29	O-RING
9	MAK57KH312	COVER
10	MAK969397	O-RING
11	MAK36AX22	WASHER
12	MAK4AX99	SCREW
13	MAK1MR3612M	SWITCH



MACK DIFFERENTIALS – CRDP 95 AND CRD 96 – CRDP 95

KEY	OEM REFERENCE	DESCRIPTION
1	MAK21AX814	NUT, Shift Rail
2	MAK31KD152	WASHER, Shift Piston
3	MAK56AX283	O-RING
4	MAK531KB11	FELT, Shift Piston
5	MAK336KC139	PISTON
6	MAK75KH14	SPACER
7	MAK96KH11	SPRING
8	MAK94KH15	RAIL, Air Shift
9	MAK7AX264X	SCREW, Lock (Dog Point)
10	MAK98KH24	FORK, Shift
11	MAK21AX776PL	NUT, Yoke
12	MAK8235-92NYS4017	YOKE, Drive (Wing Type, 9C Series)
12	MAK38MU3386	YOKE, Drive (1760 Series)
13	MAK88AX440P4	SEAL, Yoke
13	MAK1458-34889	SEAL, Yoke
14	MAK46AX491	BEARING, Power Divider
15	MAK97KH27	CLUTCH
16	MAK33KN47	CAGE, Power Divider (Early Model)
16	MAK33KN385	CAGE, Power Divider (w/ Lockout)
17	MAK30KN13	WEDGE Set
18	MAK35KN112	RING, Inner
19	MAK35KN110	RING, Outer
20	MAK32KN233	CAM, Inner Power Divider
21	MAK267KC122	NUT
22	MAK91KH22	BEARING, Cage Pilot
23	MAK31KN325	CAM, Power Divider (w/o Lockout)
23	MAK31KN334	CAM, Power Divider (w/ Lockout)
24	MAK62AX165	CONE

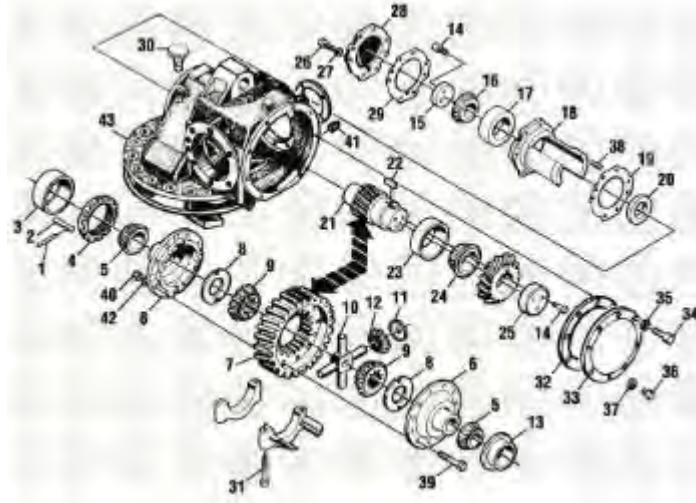
Continued



MACK DIFFERENTIALS – CRDP 95 AND CRD 96 – CRDP 95

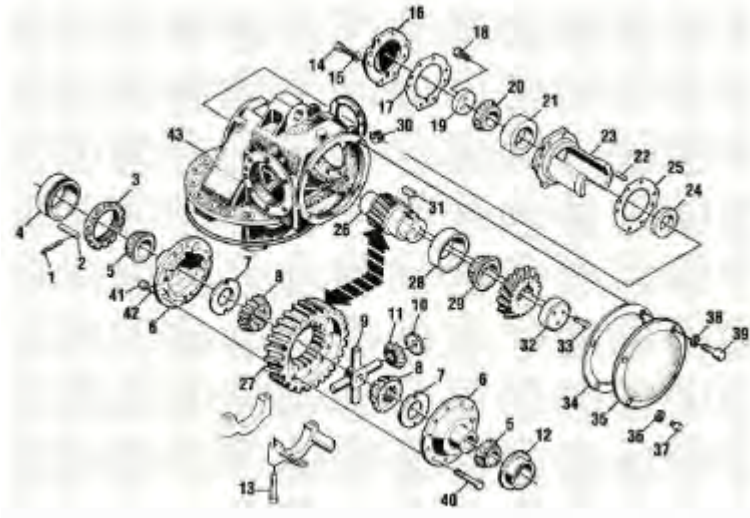
Continued

KEY	OEM REFERENCE	DESCRIPTION	KEY	OEM REFERENCE	DESCRIPTION
25	MAK64AX165	CUP	44	MAK629KB132	GASKET
26	MAK52KH173P251	SPACER (NOTE: Spacer thicknesses vary in increments .002in between .251in through .339in, when ordering specify desired thickness.)	45	MAK4AX44	SCREW
27	MAK52KH159P2	SPACER (Ratios: 7.58, 6.73 & 11.38)	46	MAK36AX5	WASHER, Lock
27	MAK52KH159P3	SPACER (Ratios: 4.60, 5.22 & 5.88)	47	MAK49KH337	COVER
28	MAK64AX38	CUP	48	MAK56AX353	O-RING
29	MAK62AX80	CONE	49	MAK56AX341	O-RING
30	N/A	GEAR	50	MAK39KN44P2	HOUSING, Lockout
31	MAK53KH226P2	RETAINER Assembly	51	MAK50KH110	GASKET
32	MAK90KH413	SHAFT, Interaxle Includes Spring (1)BSP-2299	52	MAK95KH11	COVER
33	MAK96KH18	SPRING	53	MAK6AX1304X	SCREW (3/8in-16 x 5/8in)
34	MAK46AX450	BEARING	54	MAK36AX3	WASHER, Lock
35	MAK88AX303P2	SEAL	55	MAK36KN26P1	HOUSING, Pinion (Ratios: 6.72, 7.58,8.27,9.10,10.11,11.38)
36	MAK75KH16	RING, Wear	55	MAK36KN26P2	HOUSING, Pinion (Ratios: 4.60, 5.22 & 5.88)
37	MAK27KH116	KIT, Seal (Incl: (1)BOS-7737 (1)BWR-7738)	56	MAK49AX73	PLUG, Magnetic
38	MAK8235-17N42441	YOKE, Drive (2-1/4in x 10 Spline, 3-1/8in Dia. Hub)	57	MAK39AX21	WASHER
39	MAK21AX658	NUT	58	MAK49AX145	PLUG
40	MAK6AX1317X	SCREW (7/16in-14 x 1-1/4in)	59	MAK6AX282	SCREW
41	MAK36AX4	WASHER	60	MAK36AX7X	WASHER
42	MAK476KB33B	CYLINDER, Air Housing (Spring Return)	61	MAK51KH34P20	SHIM (.020in thk)
42	MAK476KB33AP1	CYLINDER, Air Housing (Double Action)	61	MAK51KH34P22	SHIM (.022in thk)
43	MAK49AX244	PLUG	61	MAK51KH34P25	SHIM (.025in thk)
			61	MAK51KH34P31	SHIM (.031in thk)
			62	MAK50KH221P1	GASKET (.015in thk)
			62	MAK50KH221P2	GASKET (.031in thk)
			63	MAK49KH248A	COVER
			64	MAK36AX5	WASHER, Lock
			65	MAK6AX750	SCREW
			66	MAK50KH247	GASKET, Front Seal Retainer



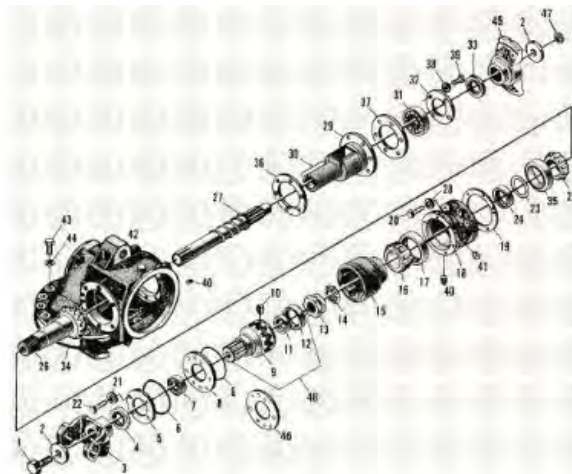
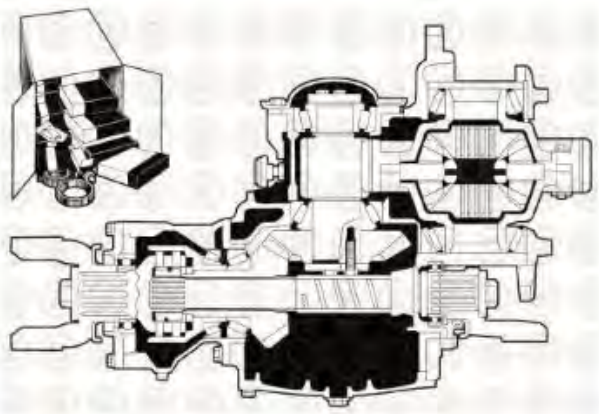
MACK DIFFERENTIALS – CRDP 95 AND CRD 96 – CRDPC 95

KEY	OEM REF.	DESCRIPTION	KEY	OEM REF.	DESCRIPTION
1	MAK29AX5	PIN, Cotter	23	MAK64AX212	CUP (LH)
2	MAK31AX59	PIN, Lock	24	MAK62AX396	CONE (LH)
3	MAK64AX240	CUP	25	MAK297KB121B	CLAMP
4	MAK43KH233	NUT, Adjusting	26	MAK6AX756	SCREW
5	MAK62AX329	CONE	27	MAK36AX5	WASHER
6	MAK30KH3366A	CASING	28	MAK57KH228A	COVER
7	N/A	GEAR, Bull	29	MAK50KH218A	GASKET
8	MAK38KH217	WASHER, Side Gear Thrust	30	MAK541KB29	BREATHER
9	MAK34KH228C	GEAR, Side	31	MAK4AX320	SCREW (7/8in-9 x 4-1/2in)
10	MAK32KH340	SPIDER (Current)	32	MAK50KH38	GASKET
10	MAK32KH230A	SPIDER	33	MAK84KH35A	COVER
11	MAK37KH137	WASHER, Spider Gear Thrust	34	MAK6AX272	SCREW
12	MAK33KH264A	GEAR, Spider	35	MAK37AX6	WASHER
13	MAK64AX241	CUP (LH)	36	MAK49AX145	PLUG
14	MAK6AX1361X	SCREW (5/8in-11 x 1-1/2in)	37	MAK39AX21	WASHER
15	MAK297KB123B	CLAMP	38	MAK31AX57	PIN, Lock
16	MAK62AX412	CONE (RH)	39	MAK3AX1739X	SCREW, Bull Gear Mounting (9/16in-18 x 3in)
17	MAK64AX235	CUP (RH)	40	MAK21AX855	NUT, Bull Gear Mounting
18	MAK53KH150AP2	RETAINER, Assembly (Ratios: 4.60, 5.22 & 5.88)	41	MAK63AX83	PLUG
19	MAK51KH232P20	SHIM (.020in thk)	42	MAK711GC1100P3	WASHER
19	MAK51KH232P22	SHIM (.022in thk)	43	MAK56AX383	O-RING
19	MAK51KH232P25	SHIM (.025in thk)			
19	MAK51KH232P31	SHIM (.031in thk)			
20	MAK52KH164P362	SPACER (NOTE: Spacer thicknesses vary in increments of .002in between .362in through .472in, when ordering specify desired thickness.)			
21	N/A	PINION, Helical			
22	MAK151KC110B	KEY			



MACK DIFFERENTIALS – CRD 96 – CRD 96

KEY	OEM REF.	DESCRIPTION	KEY	OEM REF.	DESCRIPTION
1	MAK29AX5	PIN, Cotter	25	MAK51KH232P22	SHIM (.022in thk)
2	MAK31AX59	PIN, Adjusting Nut Lock	25	MAK51KH232P25	SHIM (.025in thk)
3	MAK43KH233	NUT, Bearing Adjustment	25	MAK51KH232P31	SHIM (.031in thk)
4	MAK64AX240	CUP (RH)	26	N/A	PINION, Helical
5	MAK62AX329	CONE	27	N/A	GEAR, Bull
6	MAK30KH3366A	CASING	28	MAK64AX212	CUP (LH)
7	MAK38KH217	WASHER, Side Gear Thrust	29	MAK62AX396	CONE (LH)
8	MAK34KH228C	GEAR, Side	30	MAK63AX83	PLUG
9	MAK25101049	SPIDER, Current	31	MAK151KC110B	KEY
9	MAK32KH230A	SPIDER	32	MAK297KB121B	CLAMP
10	MAK37KH137	WASHER, Spider Gear Thrust	33	MAK6AX1361X	SCREW (5/8in-11 x 1-1/2in)
11	MAK33KH264A	GEAR, Spider	34	MAK50KH38	GASKET
12	MAK64AX241	CUP (LH)	35	MAK84KH35A	COVER
13	MAK4AX320	SCREW (7/8in-9 x 4-1/2in)	36	MAK37AX6	WASHER
14	MAK6AX756	SCREW	37	MAK6AX272	SCREW
15	MAK36AX5	WASHER, Lock	38	MAK39AX21	WASHER
16	MAK57KH228A	COVER	39	MAK49AX145	PLUG
17	MAK50KH218A	GASKET	40	MAK3AX1739X	SCREW, Bull Gear Mounting (9/16in-18 x 3in)
18	MAK6AX1361X	SCREW (5/8in-11 x 1-1/2in)	41	MAK21AX855	NUT, Bull Gear Mounting
19	MAK297KB123B	CLAMP	42	MAK711GC1100P3	WASHER
20	MAK62AX412	CONE (RH)	43	MAK56AX383	O-RING
21	MAK64AX235	CUP (RH)			
22	MAK31AX57	PIN, Lock			
23	MAK53KH160AP2	RETAINER, Assembly (Ratios: 4.60, 5.22 & 5.88)			
24	MAK52KH164P362	SPACER (NOTE: Spacer thicknesses vary in increments of .002in between .362in through .472in, when specify desired thickness.)			
25	MAK51KH232P20	SHIM (.020in thk)			



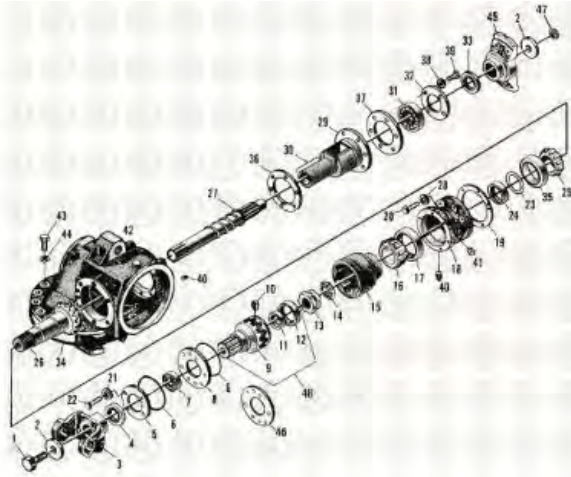
MACK DIFFERENTIALS – CRDP 200/202 – SERVICE KITS

KEY	OEM REF.	DESCRIPTION
1	MAK205SP79	KIT, Bearing & Seal (w/ Power Divider Lockout) Includes Bearing (3)GCU-7453 (1)BBG-7470 (1)BBG-7435 (1)BBG-7340 (1)BCU-7350 (1)BCU-7390 (1)HBG-4840 (1)BBG-7640 (1)BBG-7320 (1)BBG-7469 (1)EM73300 (1)ER73530 Seals (1)BOS-7697 (1)BOS-7695 O-Rings (1)BGA-2990 (1)BGA-2939 (1)BGA-3001 (1)EGA-2995 Gaskets (1)BGK-3831 (1)GGS-3915 (1)GGS-3918 (2)GGS-3916 (3)GGS-3917 Sealant (1)BSR-0385 Felt (1)BFT-5435
1	MAK205SP78	KIT, Bearing & Seal Includes Bearings (1)BCU-7390 (1)BCU-7350 (1)BBG-7435 (1)GBG-7322 (1)EM73400 (1)ER73530 (1)BBG-7469 (1)BBG-7470 (3)GCU-7453 (1)BBG-7640 (1)HBG-4840 (1)BBG-7330 Seals (1)BOS-7695 (1)BOS-7697 Gaskets (2)GGS-3916 (1)BGK-3831 (2)GGS-3917 O-Rings (1)BGA-3000 (1)BGA-2990 (1)BGA-2939 Sealant (1)BSR-0385

MACK DIFFERENTIALS – CRDP 200/202 – CRDP 200/202

KEY	OEM REF.	DESCRIPTION
1	MAK3AX1803X	SCREW, Yoke (7/8in-14 x 3in)
2	MAK297KB219P2	CLAMP
3	MAK192MU51P18	YOKE
4	MAK88AX458	SEAL, Yoke, Front
5	MAK49KH335C	COVER, Front Seal
6	MAK56AX415	O-RING, Front Cover
7	MAK46AX489	BEARING, Cage (15 Rollers)
7	MAK46AX490	BEARING, Cage (w/ Lockout)
8	MAK53KH383B	RETAINER
9	MAK33KN381A	CAGE (Coarse Spline)
9	MAK33KN411A	CAGE (Fine Spline)
10	MAK30KN12	WEDGE, Set (24 pcs.)
10	MAK30KN114	WEDGE, Set (24 pcs.) (Current)
11	MAK35KN16A	RING, Power Divider, Inner (Use w/ BWE-1230)
11	MAK35KN23	RING, Power Divider, Inner (Use w/ BWE-1235) (Current Design)
12	MAK35KN17A	RING, Power Divider, Outer (Use w/ BWE-1230)
12	MAK35KN24	RING, Power Divider, Outer (Use w/ BWE-1235) (Current Design)
13	MAK32KN38	CAM, Power Divider, Inner
14	MAK267KC234	NUT, Pinion, Locking (2-3/8in-12)
15	MAK31KN411	CAM, Power Divider, Outer
15	MAK31KN412	CAM, Power Divider, Outer(w/ Lockout)
16	MAK62AX241	CONE
17	MAK64AX88	CUP
18	MAK36KN32	HOUSING, Power Divider
19	MAK51KH318	SHIM
20	MAK429GC112P1	SCREW (5/8in-11 x 1-3/4in)

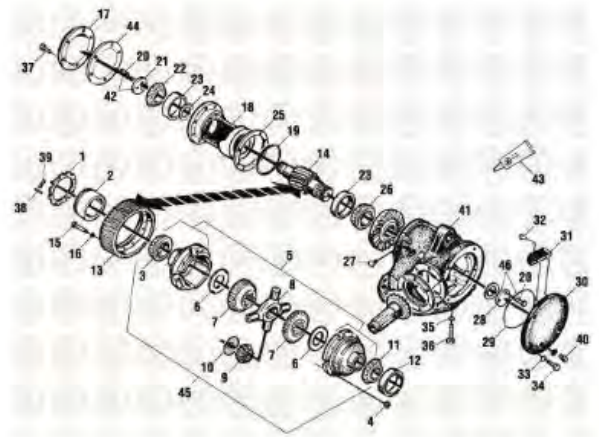
Continued



MACK DIFFERENTIALS – CRDP 200/202 – CRDP 200/202

Continued

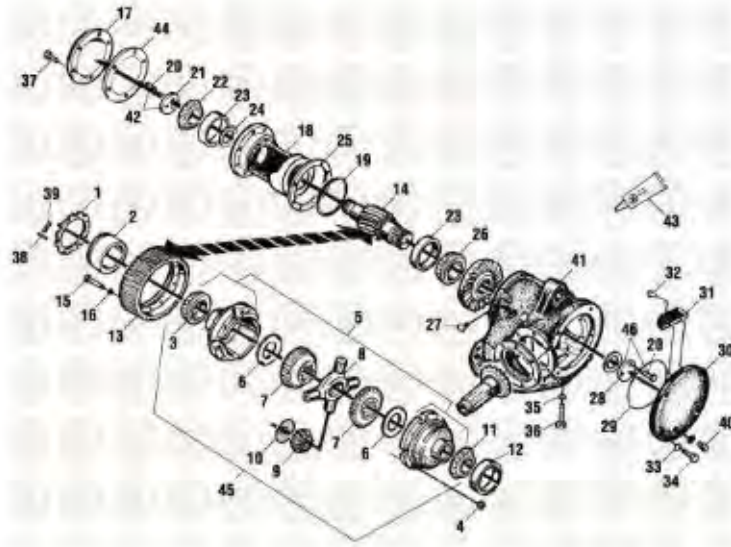
KEY	OEM REF.	DESCRIPTION
21	MAK37AX256	WASHER (7/16in I.D.)
22	MAK6AX1360X	SCREW (7/16in-14 x 1-1/2in)
23	N/A	SPACER
24	MAK52KH1111P3	SPACER
25	MAK62AX497	CONE
26	N/A	GEAR
27	MAK90KH410	SHAFT, Interaxle
28	MAK36AX7X	WASHER (5/8in I.D.)
29	MAK53KH261B	RETAINER Assembly (Include Tube)
30	MAK88KH25A	TUBE
31	MAK46AX531	BEARING, Interaxle
32	MAK49KH339B	COVER
33	MAK88AX456	SEAL
34	MAK56AX389	O-RING
35	MAK64AX242	CUP
36	MAK50KH252P2	GASKET (.015in thk)
37	MAK50KH252P1	GASKET (.031in thk)
38	MAK37AX472U	WASHER (3/8in I.D.)
39	MAK6AX1309X	SCREW (3/8in-16 x 1-1/2in)
40	MAK63AX83	PLUG
40	MAK49AX73	PLUG, Magnetic
41	MAK49AX235	PLUG, Filler
42	MAK64KH416	HOUSING, Carrier Assembly
43	MAK3AX1665	SCREW (5/8in-18 x 2in)
43	MAK419GC113B	SCREW (5/8in-18 x 1-3/4in)
44	MAK35AX1252	WASHER (5/8in I.D.)
45	MAK181MU51P19	YOKE
46	MAK50KH319	GASKET, Front Cover (Lockout Application)
47	MAK21AX907	NUT, Thru Shaft (1-1/2in-18 Locking)
48	MAK33KN416A	KIT,Cage Includes Cage (1)BCP-2422 Wedge Set (1)BWE-1230 Rings (1)BRG-0110 (1)BRG-0120



MACK DIFFERENTIALS – CRDP 200/202 – CRDP 200/202

KEY	OEM REF.	DESCRIPTION
1	MAK43KH223	NUT, Adjusting
2	MAK64AX239	CUP, Carrier (RH)
3	MAK62AX404	CONE
4	MAK108KH11	NUT (5/8in-18)
5	MAK30KH3385	SET, Case (2 pcs.) Includes Bearings
6	MAK38KH220	WASHER, Thrust, Side Gear
7	MAK34KH262	GEAR, Side (46 Teeth) (CRDPC 200/CRD 201)
7	MAK34KH263	GEAR, Side (43 Teeth) (CRDPC 202/CRD 203)
8	MAK32KH228A	SPIDER
9	MAK33KH263A	GEAR, Spider
10	MAK37KH210	WASHER, Thrust, Pinion
11	MAK62AX404	CONE, Carrier (LH) (CRDP 200)
11	MAK62AX404	CONE, Carrier (LH) (CRDP 202)
12	MAK64AX267	CUP, Carrier (LH)
13	N/A	GEAR, Bull
14	N/A	PINION, Helical
15	MAK3AX2013	SCREW, Carrier (5/8in-18 x 3-3/4in)
16	MAK711GC1146	WASHER (5/8in)
17	MAK57KH311	COVER, Helical Pinion
18	MAK53KH3103	RETAINER Assembly
19	MAK56AX542	O-RING
20	MAK3AX1883X	SCREW (Use w/ BWA-3091) (1/2in-20 x 1-3/4in)
20	MAK3AX1797X	SCREW (Optional use w/ BWA-3080) (1/2in-20 x 1-1/2in)
21	MAK297KB28	CLAMP (Use w/ Stamped Cover)
22	MAK62AX494	CONE, Spur Pinion (RH)
23	MAK64AX242	CUP, Spur Pinion (RH/LH)

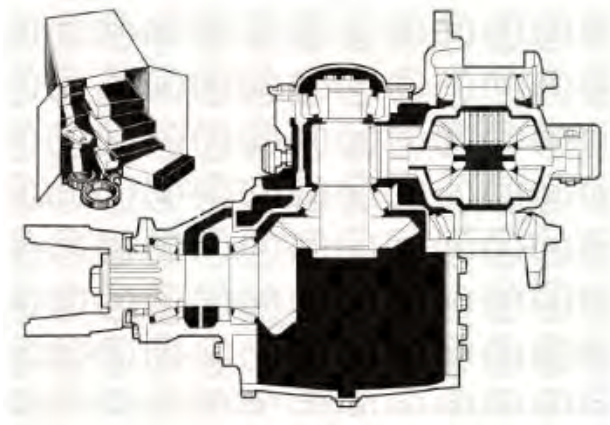
Continued



MACK DIFFERENTIALS – CRDP 200/202 – CRDP 200/202

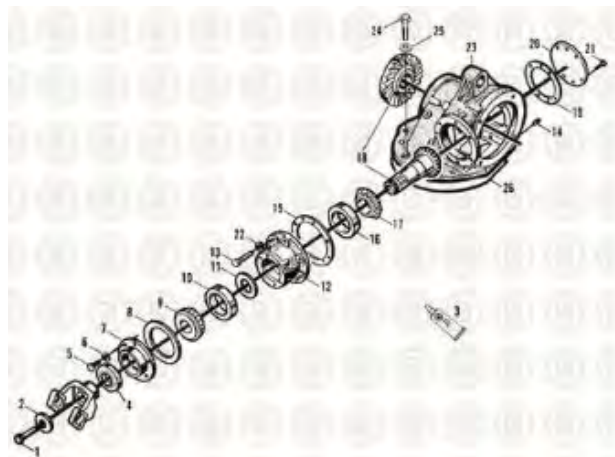
Continued

KEY	OEM REF.	DESCRIPTION	KEY	OEM REF.	DESCRIPTION
24	MAK52KH220P818	SPACER, Spur Pinion (P No. indicates thickness in thousandths of an inch.)	37	MAK6AX1324X	SCREW (1/2in-13 x 1-1/2in)
24	MAK52KH220P838	SPACER, Spur Pinion (P No. indicates thickness in thousandths of an inch.)	38	MAK31AX59	PIN, Adjustment Lock
24	MAK52KH220P842	SPACER, Spur Pinion (P No. indicates thickness in thousandths of an inch.)	39	MAK29AX5	PIN, Cotter
24	MAK52KH220P848	SPACER, Spur Pinion (P No. indicates thickness in thousandths of an inch.)	40	MAK49AX235	PLUG, Filler
24	MAK52KH220P850	SPACER, Spur Pinion (P No. indicates thickness in thousandths of an inch.)	41	MAK64KH416	HOUSING, Assembly, Carrier Includes Caps, Screws, & Washers)
24	MAK52KH220P895	SPACER, Spur Pinion (P No. indicates thickness in thousandths of an inch.)	42	N/A	KIT, Clamp Includes (1)BWA-3080 (3)BSC-7940)
25	MAK51KH320AP10	SHIM, Pinion Adjustment (.010in thk)	42	N/A	KIT, Clamp Includes (1)BWA-3091 (3)BSC-0004)
25	MAK51KH320AP12	SHIM, Pinion Adjustment (.012in thk)	43	MAK342SX32	SEALANT, Silicone Rubber
25	MAK51KH320AP15	SHIM, Pinion Adjustment (.015in thk)	44	MAK50KH319	GASKET, Pinion Housing
26	MAK62AX408	CONE, Spur Pinion (LH)	45	MAK30KH3386A	ASSEMBLY, Differential (CRDPC 202/CRD 203) Includes Spider (1)EM07910 Side Gears (2)BSG-2436 Washers (2)BWA-3071 (4)BWA-3072 Case Set (1)BCS-7024 Spider Gears (4)BSP-7460
27	MAK541KB29	BREATHER	45	MAK30KH3384	ASSEMBLY, Differential (CRDPC 200 & CRD 201) Includes Spider (1)EM07910 Side Gears (2)BSG-2437 Washers (2)BWA-3071 (4)BWA-3072 Case Set (1)BCS-7024 Spider Gears (4)BSP-7460
28	MAK297KB126	CLAMP	46	N/A	KIT, Clamp Includes Clamp (1)BWA-3080 Screws (3)BSC-7940
29	MAK56AX423	O-RING, Cover (LH)	47	N/A	KIT, Nest (CRDPC 202/CRD 203) Includes Spider (1)EM07910 Side Gears (2)BSG-2437 Washers (2)BWA-3071 (4)BWA-3072 Spider Gears (4)BSP-7460
30	MAK84KH44	COVER (LH)			
31	MAK511KB36A	TRAY, Oil			
32	MAK6AX1303X	SCREW (3/8in-16 x 1/2in)			
33	MAK37AX7U	WASHER			
34	MAK6AX1308X	SCREW (3/8in-16 x 1-1/4in)			
35	MAK35AX1251	WASHER, Bearing Cap			
36	MAK6AX773	SCREW, Bearing Cap (3/4in-10 x 5in)			



MACK DIFFERENTIALS – CRD 201/203 – SERVICE KITS

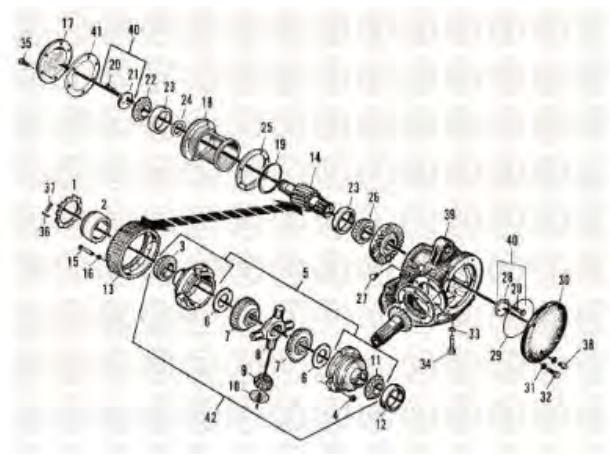
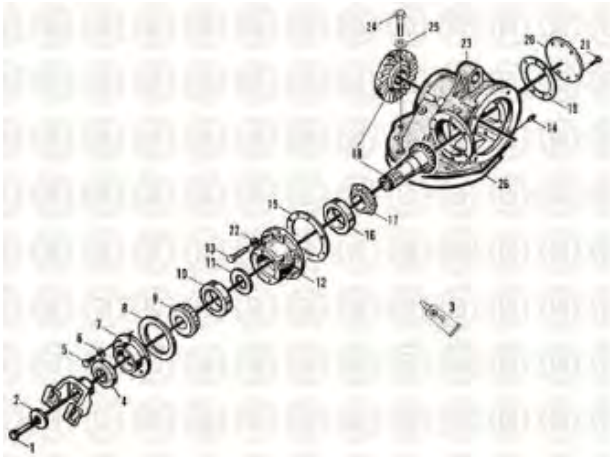
KEY	OEM REF.	DESCRIPTION
1	MAK205SP77	KIT, Bearing & Seal Includes Bearings (1)BBG-7433 (3)GCU-7453 (1)BCU-7481 (1)BCU-7390 (1)BCU-7350 (1)BBG-7470 (1)EM73400 (1)EM73300 (2)BBG-7435 Seal (1)BOS-7697 Gasket (1)BGK-3902 Sealant (1)BSR-0385 O-Rings (1)BGA-2990 (1)BGA-2939



MACK DIFFERENTIALS – CRD 201/203 – CRD 201/203

KEY	OEM REF.	DESCRIPTION
1	MAK3AX1803X	SCREW, Drive Yoke (7/8in-14 x 3in)
2	MAK297KB219P2	CLAMP, Yoke
3	MAK342SX32	SEALANT, Silicone Rubber
4	MAK88AX458	SEAL, Yoke
5	MAK6AX1359X	SCREW (3/8in-16 x 1in)
6	MAK37AX265	WASHER (3/8in I.D.)
7	MAK49KH343A	COVER
8	MAK50KH261	GASKET
9	MAK62AX494	CONE, Front Pinion
10	MAK64AX242	CUP, Front Pinion
11	MAK52KH219P482	SPACER (P No. indicates thickness in thousandths of an inch.)
11	MAK52KH219P519	SPACER (P No. indicates thickness in thousandths of an inch.)
11	MAK52KH219P525	SPACER (P No. indicates thickness in thousandths of an inch.)
11	MAK52KH219P530	SPACER (P No. indicates thickness in thousandths of an inch.)
11	MAK52KH219P546	SPACER (P No. indicates thickness in thousandths of an inch.)
12	MAK48KH321	HOUSING, Pinion
13	MAK429GC112P1	SCREW (5/8in-11 x 1-3/4in)
14	MAK49AX73	PLUG, Magnetic (1/2in NPT)
14	MAK49AX235	PLUG, Filler (3/4in NPT)
15	MAK51KH318AP10	SHIM, Pinion Housing (.010in thk)
15	MAK51KH318AP12	SHIM, Pinion Housing (.012in thk)
15	MAK51KH318AP15	SHIM, Pinion Housing (.015in thk)

Continued



MACK DIFFERENTIALS – CRD 201/203 – CRD 201/203

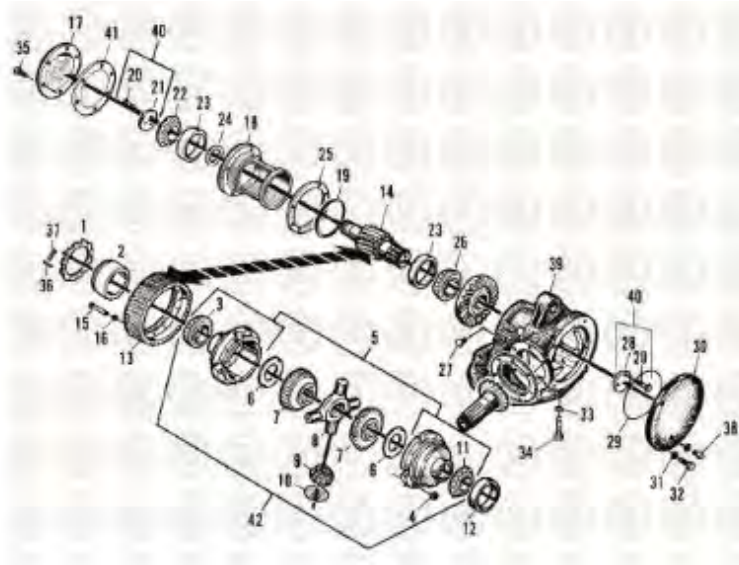
Continued

KEY	OEM REF.	DESCRIPTION
16	MAK64AX29	CUP, Rear Pinion
17	MAK62AX358	CONE ,Rear Pinion (Also available in Timken by adding -TIM)
18	N/A	GEAR, Set
19	MAK50KH252P1	GASKET (.031in thk)
20	MAK57KH231A	COVER, Rear
21	MAK6AX1306X	SCREW (3/8in-16 x 7/8in)
22	MAK36AX7X	WASHER
23	MAK64KH416P2	HOUSING Assembly, Carrier Includes Caps, Screws & Washers)
24	MAK3AX1665	SCREW (5/8in-18 x 2in)
24	MAK419GC113B	SCREW (5/8in-18 x 1-3/4in)
25	MAK35AX1252	WASHER
26	MAK56AX389	O-RING

MACK DIFFERENTIALS – CRD 201/203 – CRD 201/203

KEY	OEM REF.	DESCRIPTION
1	MAK43KH223	NUT, Adjusting
2	MAK64AX239	CUP, Carrier(RH)
3	MAK62AX404	CONE, Carrier(RH)
4	MAK108KH11	NUT (5/8in-18)
5	MAK30KH3385	SET, Case (2 pcs.) (Includes Bearings)
6	MAK38KH220	WASHER, Thrust,Side Gear
7	MAK34KH262	GEAR, Side (46 Teeth) (CRDPC 200/CRD 201)
7	MAK34KH263	GEAR, Side (43 Teeth) (CRDPC 202/CRD 203)
8	MAK32KH228A	SPIDER
9	MAK33KH263A	GEAR, Spider
10	MAK37KH210	WASHER, Thrust, Pinion
11	MAK62AX471	CONE, Carrier (LH)
12	MAK64AX267	CUP, Carrier (LH)
13	N/A	GEAR, Bull
14	N/A	PINION, Helical
15	MAK3AX2013	SCREW, Carrier (5/8in-18 x 3-3/4in)
16	MAK711GC1146	WASHER (5/8in)
17	MAK57KH311	COVER, Helical Pinion
18	MAK53KH3103	RETAINER Assembly
19	MAK56AX542	O-RING, Cover (RH)
20	MAK3AX1883X	SCREW(Use w/ BWA-3091) (1/2in-20 x 1-3/4in)
20	MAK3AX1797X	SCREW (Optional use w/ BWA-3080) (1/2in-20 x 1-1/2in)
21	MAK297KB28	CLAM (Use w/ Stamped Cover)
22	MAK62AX494	CONE, Spur Pinion (RH)
23	MAK64AX242	CUP, Spur Pinion (RH/LH)

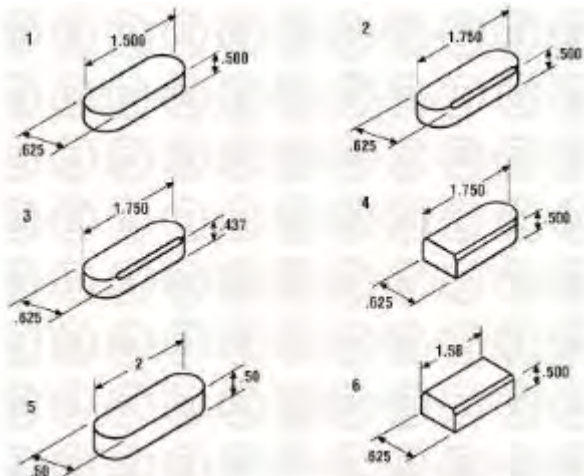
Continued



MACK DIFFERENTIALS – CRD 201/203 – CRD 201/203

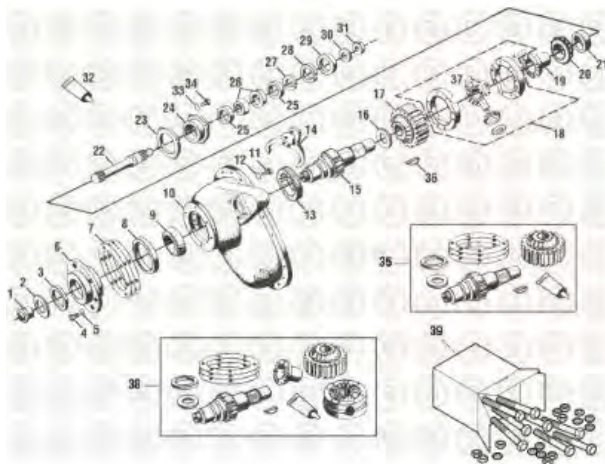
Continued

KEY	OEM REF.	DESCRIPTION	KEY	OEM REF.	DESCRIPTION
24	MAK52KH220P818	SPACER, Spur Pinion (P No. indicates thickness in thousandths of an inch.)	34	MAK6AX773	SCREW,Bearing Cap(3/4in-10 x 5in)
24	MAK52KH220P838	SPACER, Spur Pinion (P No. indicates thickness in thousandths of an inch.)	35	MAK6AX1324X	SCREW(1/2in-13 x 1-1/2in)
24	MAK52KH220P842	SPACER, Spur Pinion (P No. indicates thickness in thousandths of an inch.)	36	MAK31AX59	PIN,Adjustment Lock
24	MAK52KH220P848	SPACER, Spur Pinion (P No. indicates thickness in thousandths of an inch.)	37	MAK29AX5	PIN,Cotter
24	MAK52KH220P850	SPACER, Spur Pinion (P No. indicates thickness in thousandths of an inch.)	38	MAK49AX235	PLUG,Filler
24	MAK52KH220P895	SPACER, Spur Pinion (P No. indicates thickness in thousandths of an inch.)	39	MAK64KH416	HOUSING Assembly, Carrier Includes Caps, Screws & Washers
25	MAK51KH320AP10	SHIM,Pinion Adjustment(.010in thk)	40	N/A	KIT, Clamp Includes Clamp (1)BWA-3080 Screws (3)BSC-7940
25	MAK51KH320AP12	SHIM,Pinion Adjustment(.012in thk)	40	N/A	KIT, Clamp Includes Clamp (1)BWA-3091 Screws (3)BSC-0004
25	MAK51KH320AP15	SHIM,Pinion Adjustment(.015in thk)	41	MAK50KH319	GASKET, Pinion Housing
26	MAK62AX408	CONE,Spur Pinion(LH)	42	MAK30KH3386A	ASSEMBLY, Differential (CRDPC202/CRD203) Includes Spider (1)EM07910 Side Gears (2)BSG-2437 Washers (2)BWA-3071 (4)BWA-3072 Spider Gears (4)BSP-7460 Case Set (1)BCS-7024
27	MAK541KB29	BREATHER	42	MAK30KH3384	ASSEMBLY, Differential (CRDPC 200/CRD 201) Includes Spider (1)EM07910 Side Gears (2)BSG-2436 Washers (2)BWA-3071 (4)BWA-3072 Spider Gears (4)BSP-7460 Case Set (1)BCS-7024
28	MAK297KB126	CLAMP	43	N/A	KIT, Nest (CRDPC 202/CRD 203) Includes Spider (1)EM07910 Side Gears (2)BSG-2437 Washers (2)BWA-3071 (4)BWA-3072 Spider Gears (4)BSP-7460
29	MAK56AX423	O-RING, Cover(LH)			
30	MAK84KH44	COVER(LH)			
31	MAK37AX7U	WASHER			
32	MAK6AX1308X	SCREW (3/8in-16 x 1-1/4in)			
33	MAK35AX1251	WASHER,Bearing Cap			



RING GEAR KEY CHART

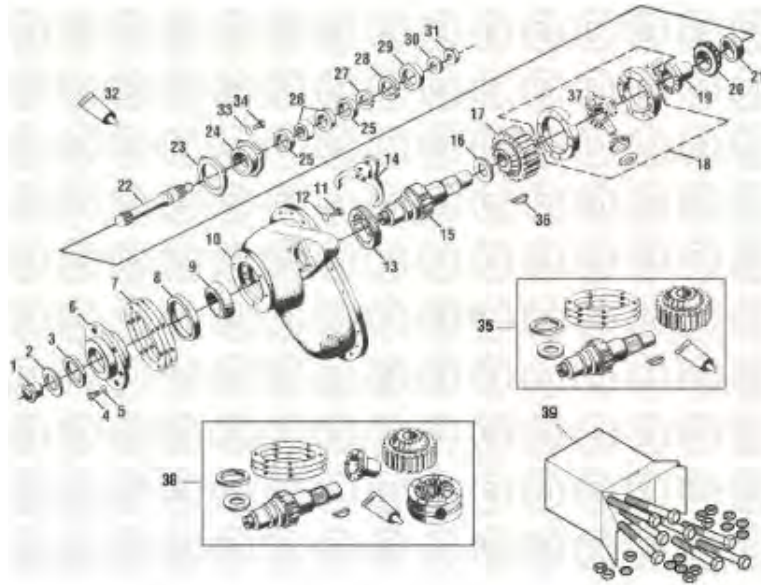
KEY	OEM REF.	DESCRIPTION
1	MAK42AX631	KEY, Ring Gear
2	MAK42AX630	KEY, Ring Gear
3	MAK151KC21	KEY, Ring Gear
4	MAK151KC123	KEY, Ring Gear
5	MAK42AX144	KEY, Ring Gear
6	MAK151KC110B	KEY, Ring Gear



ROCKWELL DIFFERENTIAL – SQHP AND SQ-100
– FORWARD DIFFERENTIAL

KEY	OEM REF.	DESCRIPTION
1	ROK1227-R-902	NUT
2	ROK1229-T-1736	WASHER
3	ROKA-1205-W-1895	SEAL, Oil
4	ROKS-2711-1	SCREW
5	ROK1229-E-1513	WASHER
6	ROKA-3226-M-585	CAGE
7	ROK2203-R-6518	SHIM (.003in thk)
7	ROK2203-S-6519	SHIM (.005in thk)
7	ROK2203-T-6520	SHIM (.010in thk)
8	MAK8235-1228N638	CUP
9	MAK8235-JM511946	CONE
10	ROK3266-H-970	COVER
10	ROK3280-U-8081	COVER (For Pump Application)
11	ROKS-1812-1	SCREW, Stop
12	ROK13-X-15	NUT
13	ROK3280-G-5519	COLLAR
14	ROKA-3296-T-150	FORK
15	ROKA1-3297-X-50	KIT, Shaft, Input (Early) (Incl: (1)ER00460 (1)ER22450)
15	ROKA1-3297-F-110	KIT, Shaft, Input (Early) (Incl: (1)ER00460 (1)ER22450)
15	ROKA1-3297-Z-1014	KIT, Shaft, Input (Current) (Incl: (1)ER00460 (1)ER22450)
15	ROKA1-3297-A-1015	KIT, Shaft, Input (Current w/ Pump) (Incl: (1)ER00460 (1)ER22450)
16	ROK1229-M-4069	WASHER, Thrust
16	ROK1229-H-2764	WASHER, Thrust
17	ROK2234-N-846	GEAR, Side
17	ROK3892-F-4738	GEAR, Drive
17	ROK3892-M-4927	GEAR, Drive (Current)
18	ROKA-3235-F-1800	ASSEMBLY, Interaxle Differential (Early style welded) (2in x 39 spline)

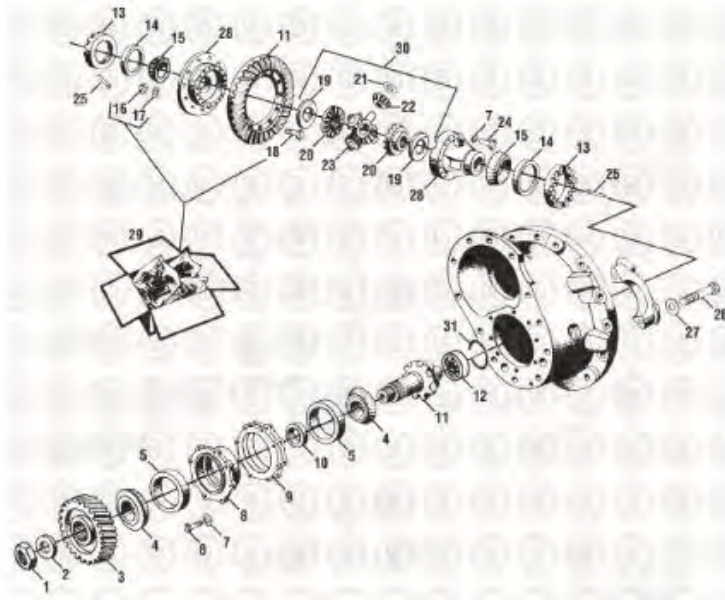
Continued



**ROCKWELL DIFFERENTIAL – SQHP AND SQ-100
– FORWARD DIFFERENTIAL**

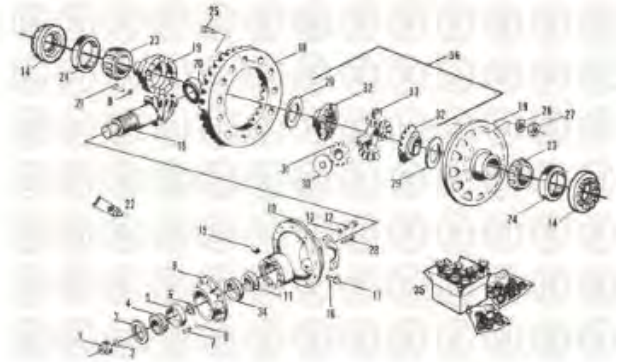
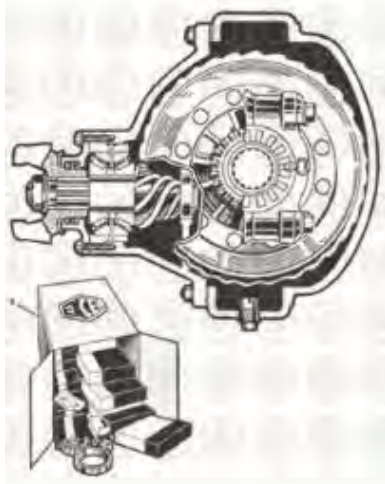
Continued

KEY	OEM REF.	DESCRIPTION	KEY	OEM REF.	DESCRIPTION
18	ROKA3-3235-F-1800	ASSEMBLY, Differential, Interaxle (Current) (Welded)	32	MAK342SX32	TUBE, Sealant (Silicone)
18	ROKA-3235-Q-2747	ASSEMBLY, Interaxle Differential (Early style bolted) (2in x 39 spline)	33	ROK1229-K-1597	WASHER
19	ROK2234-E-1019	GEAR, Side	34	ROK15-X-387	SCREW
20	MAK8235-JLM710949C	CONE	35	ROKMPS2400	KIT, Shaft, Input (Incl: (1)ER03850 (1)ER24150 (1)ER30490 (1)ER31820 (1)ER72680-003 (1)ER72680-005 (1)ER72680-010 (1)ER73170 (1)ER74460)
21	MAK8235-JLM710910	CUP	36	ROK16-X-118	KEY
22	ROK3280-T-5688	SHAFT, Thru	37	ROK3278-A-1093	SPIDER (Current)
23	ROK2208-C-445	GASKET	38	ROKMPS-3344	KIT, Interaxle Differential (SQ-100) (Incl: (1)ER03850 (1)ER21380 (1)ER24170 (1)ER30440 (1)ER72680-003 (1)ER72680-005 (1)ER72680-010 (1)ER73170 (1)ER74390 (1)ER74490)
24	ROKA-3226-X-596	ASSEMBLY, Cage	38	ROKMPS3345	KIT, Interaxle Differential (SQHP/SLP-100) (Incl: (1)ER03850 (1)ER21380 (1)ER24180 (1)ER30440 (1)ER72680-003 (1)ER72680-005 (1)ER72680-010 (1)ER73170 (1)ER74390 (1)ER74490)
25	MAK8235-LM603011	CUP	39	MAK8235-KIT1590	KIT, Bolt, Interaxle Differential (Incl: (8)BNU-0278 (8)BSC-0841 (16)AWA-1416)
26	MAK8235-LM603049	CONE			
27	ROK1829-A-859	RING, Retaining			
28	ROK1229-A-2237	RING, Retaining (.155in thk)			
28	ROK1229-B-2238	RING, Retaining (.158in thk)			
28	ROK1229-C-2239	RING, Retaining (.161in thk)			
28	ROK1229-D-2240	RING, Retaining (.164in thk)			
28	ROK1229-E-2241	RING, Retaining (.167in thk)			
28	ROK1229-F-2242	RING, Retaining (.170in thk)			
28	ROK1229-G-2243	RING, Retaining (.173in thk)			
28	ROK1229-H-2244	RING, Retaining (.176in thk)			
28	ROK1229-J-2246	RING, Retaining (.179in thk)			
28	ROK1229-K-2247	RING, Retaining (.182in thk)			
29	ROKA-1205-G-2425	SEAL (Current)			
30	MAK35AX1435	WASHER			
31	ROK1227-Q-901	NUT			



**ROCKWELL DIFFERENTIAL – SQHP AND SQ-100
– FORWARD DIFFERENTIAL**

KEY	OEM REF.	DESCRIPTION	KEY	OEM REF.	DESCRIPTION
1	ROK1227-N-898	NUT	18	ROK15-X-1707	SCREW (5/18in-18 x 2-3/16in)
2	ROK1229-N-1730	WASHER	19	ROK1229-T-1034	WASHER, Thrust
3	ROK3892-S-3945	GEAR, Drive	20	ROK2234-C-783	GEAR, Side (2.10in-41 Spline)
4	MAK62AX250	CONE	20	ROK2234-D-966	GEAR, Side (2.00in-39 Spline)
5	MAK64AX42	CUP	20	ROK2234-F-1046	GEAR, Side (SQRD)
6	NAV24862R1	SCREW	21	ROK1229-R-1032	WASHER, Thrust
7	MAK37AX6	WASHER	22	ROK2233-U-151	GEAR, Spider
8	ROKA-3226-R-564	ASSEMBLY, Cage	22	ROK2233-E-213	GEAR, Spider (SQRD)
9	ROK2203-A-6319	SHIM (.003in thk)	23	ROK3278-S-305	SPIDER
9	ROK2203-B-6320	SHIM (.005in thk)	24	ROKRS2826A1	SCREW (Grade 8, Hex Head) (1/2in-13 x 3-1/4in Lg)
9	ROK2203-C-6321	SHIM (.010in thk)	25	ROK1199-R-2176	PIN, Cotter
10	ROK2203-S-7819	SPACER (.299in thk)	26	ROKS-21238-1	SCREW
10	ROK2203-B-7828	SPACER (.328in thk)	27	ROK1229-V-1556	WASHER
10	ROK2203-T-7820	SPACER (.300in thk)	28	RO- KA19-3235-C-1173	CASE Assembly (Fast Ratio) (Incl: (16)ER00640 (16)ER09020)
10	ROK2203-U-7821	SPACER (.301in thk)	28	RO- KA28-3235-D-1174	CASE Assembly (Standard Ratio) (Incl: (16)ER00640 (16)ER09020)
10	ROK2203-V-7822	SPACER (.302in thk)	28	RO- KA26-3235-L-1156	CASE Assembly (Medium Ratio) (Incl: (16)ER00640 (16)ER09020)
10	ROK2203-W-7823	SPACER (.303in thk)	29	ROKKIT570	KIT, Bolt, Ring Gear (Incl: (12)ER00380 (12)ER00650 (12)ER01960)
10	ROK2203-X-7824	SPACER (.304in thk)	29	ROKKIT2393	KIT, Bolt, Ring Gear (Incl: (12)ER00650 (12)ER01960 (12)ER08270)
10	ROK2203-Y-7825	SPACER (.310in thk)	30	ROKKIT325	KIT, Nest, Differential (Less Spider) (Incl: (2)ER30470 (4)ER30570 (2)ER74470 (4)ER74660)
10	ROK2203-Z-7826	SPACER (.316in thk)	30	ROKKIT326	KIT, Nest, Differential (Incl: (1)ER21410 (1)ER07970)
10	ROK2203-A-7827	SPACER (.322in thk)	31	ROK1229-A-1301	RING, Retaining
11	N/A	SET, Gear			
12	ROK1228-F-552	BEARING			
13	ROK2214-Z-208	RING, Adjusting			
14	MAK8235-JM716610	CUP			
15	MAK8235-JM716649	CONE			
16	ROKNL-110-1	NUT			
17	ROK1229-N-1626	WASHER			
18	ROK15-X-1523	SCREW (5/18in-18 x 2in)			

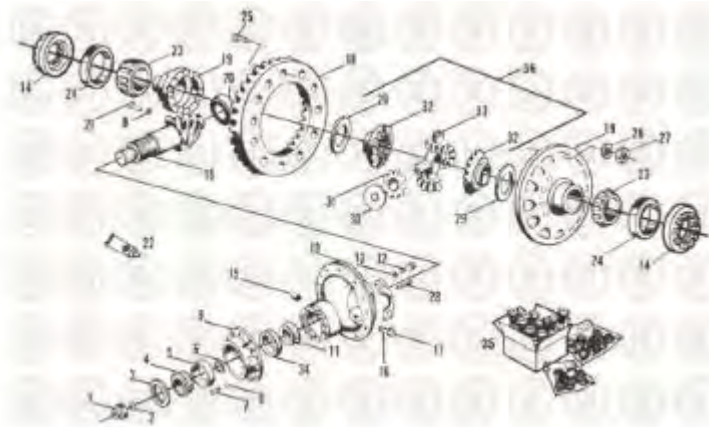


**ROCKWELL DIFFERENTIAL – SQAR AND SQR-100
– SERVICE KITS**

**ROCKWELL DIFFERENTIAL – SQAR AND SQR-100 – REAR
DIFFERENTIAL**

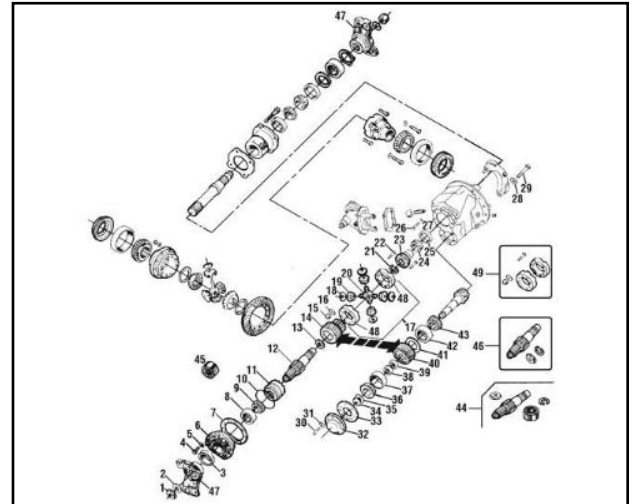
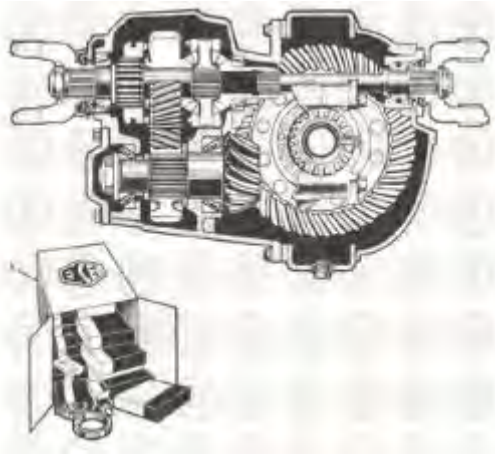
KEY	OEM REF.	DESCRIPTION
1	ROKKIT1911	KIT, Bearing and Seal Kit (SQAR) (Rear) (Incl: (1)ER71180 (1)ER77430 (1)ER75010 (2)ER73310 (1)ER03850 (1)ER75110 (2)ER73920 (2)ER03810 (1)ER74080)
1	ROKKIT2112	KIT, Bearing and Seal (SLR/SQR-100) (Rear) (Incl: (2)ER71180 (2)ER74070 (1)ER73270 (1)ER77430 (2)ER73310 (1)ER03850 (2)ER73920 (2)ER03810)

KEY	OEM REF.	DESCRIPTION
1	ROK1227-R-902	NUT, Yoke
2	ROK1229-F-2918	WASHER, Yoke
3	ROKA-1205-Y-1897	SEAL, Oil
3	ROKA1-1205-Z-2730	SEAL, Oil (Service w/ Sleeve)
4	MAK62AX250	CONE (SQR-100)
4	MAK8235-72225C	CONE (SQAR)
5	MAK64AX42	CUP
6	ROK2203-S-7819	SPACER (.299in thk)
6	ROK2203-B-7828	SPACER (.328in thk)
6	ROK2203-T-7820	SPACER (.300in thk)
6	ROK2203-U-7821	SPACER (.301in thk)
6	ROK2203-V-7822	SPACER (.302in thk)
6	ROK2203-W-7823	SPACER (.303in thk)
6	ROK2203-X-7824	SPACER (.304in thk)
6	ROK2203-Y-7825	SPACER (.310in thk)
6	ROK2203-Z-7826	SPACER (.316in thk)
6	ROK2203-A-7827	SPACER (.322in thk)
7	NAV24862R1	SCREW
8	MAK37AX6	WASHER
9	ROKA-3226-Z-806	ASSEMBLY, Bearing Cup and Retainer (SQR-100)
9	ROKA-3226-W-569	ASSEMBLY, Bearing Cup and Retainer (SQAR)
10	ROK2203-C-8115	SHIM (.003in thk)
10	ROK2203-D-8116	SHIM (.005in thk)
10	ROK2203-E-8117	SHIM (.010in thk)
11	MAK62AX250	CONE (SQ-100)
11	MAK31SP48	CONE (SQAR)
12	ROKS-21238-1	SCREW
13	ROK1229-V-1556	WASHER
14	ROK2214-Z-208	NUT, Adjusting
15	MAK49AX235	PLUG



ROCKWELL DIFFERENTIAL – SQAR AND SQR-100 – REAR DIFFERENTIAL

KEY	OEM REF.	DESCRIPTION	KEY	OEM REF.	DESCRIPTION
16	ROK15-X-1025	SCREW, Thrust	34	MAK64AX104	CUP (SQAR)
16	ROK10-X-382	SCREW, Thrust	35	ROKKIT570	KIT, Bolt, Ring Gear (Incl: (12)ER00380 (12)ER00650 (12)ER01960)
17	ROK13-X-41	NUT, Lock	35	ROKKIT2393	KIT, Bolt, Ring Gear (Incl: (12)ER00650 (12)ER01960 (12)ER08270)
18	N/A	SET, Gear	36	ROKKIT325	KIT, Nest, Differential (Incl: (2)ER30470 (4)ER30570 (2)ER74470 (4)ER74660)
19	RO- KA19-3235-C-1173	CASE Assembly (Fast Ratio 3.47 - 3.90)	36	ROKKIT326	KIT, Nest, Differential (Incl: (1)ER21410 (1)ER07970)
19	RO- KA28-3235-D-1174	CASE Assembly (Standard Ratio 4.88 - 7.80)			
19	RO- KA26-3235-L-1156	CASE Assembly (Medium Ratio 4.10 - 4.63)			
20	MAK8235-1228F552	BEARING, Ball (SQR-100)			
21	ROKRS2826A1	SCREW			
22	MAK8235- 2297T4180	TUBE, Thread Adhesive			
23	MAK8235-JM716649	CONE			
24	MAK8235-JM716610	CUP			
25	ROK15-X-1523	SCREW (8/5in-18 x 2in)			
25	ROK15-X-1707	SCREW (8/5in-18 x 2-3/16in)			
26	ROK1229-N-1626	WASHER			
27	ROKNL-110-1	NUT			
28	ROK1199-R-2176	PIN, Cotter			
29	ROK1229-T-1034	WASHER, Thrust, Side Gear			
30	ROK1229-R-1032	WASHER, Thrust, Spider Pinion			
31	ROK2233-U-151	GEAR, Spider (SQAR)			
31	ROK2233-E-213	GEAR, Spider (SQR-100)			
32	ROK2234-C-783	GEAR, Side (2.10in-41 Spline)			
32	ROK2234-D-966	GEAR, Side (2.00in- 39 Spline)			
32	ROK2234-F-1046	GEAR, Side (SQRR-100)			
33	ROK3278-S-305	SPIDER			
34	MAK64AX42	CUP (SQ-100)			



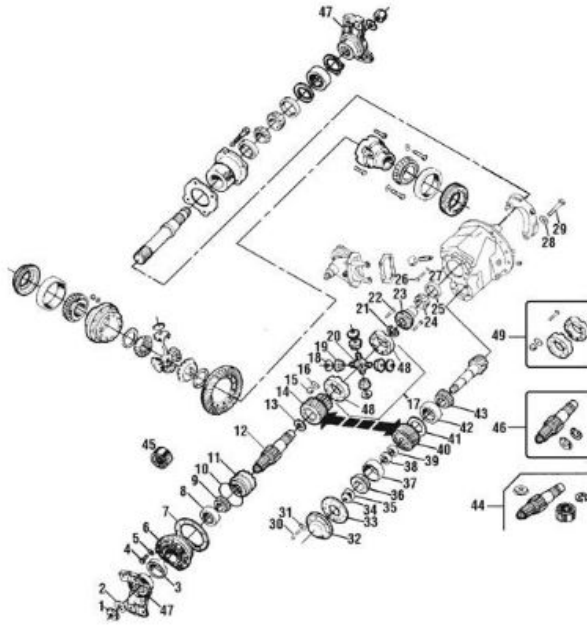
ROCKWELL DIFFERENTIAL – SSHD – SERVICE KITS

KEY	OEM REF.	DESCRIPTION
1	ROKKIT4095	KIT, Bearing and Seal (Incl: (1)ER29280 (1)BBM-0381 (1)BSR-0385 (2)GCU-6036 (2)BBG-6039 (1)BCU-7335 (1)BBG-7336 (1)BCU-7337 (1)BBG-7338 (2)BCU-7342 (2)BBG-7343 (1)BBG-7436 (1)GCU-7453 (1)BCU-7501 (1)BBG-7511 (1)BOS-7690 (1)EOS-8592)
1	ROKKIT4085	KIT, Bearing and Seal (Incl: (1)ER76940 (1)BBM-0381 (1)BSR-0385 (1)BBG-6077 (1)BBG-7323 (2)BCU-7342 (2)BBG-7343 (1)BBG-7436 (1)GCU-7453 (1)BCU-7501 (1)BBG-7511 (1)BBG-7639 (1)BOS-7690)
1	ROKKIT4080	KIT, Bearing and Seal (Late) (Incl: (2)ER73430 (2)ER73420 (1)ER75110 (1)ER74360 (1)ER76910 (1)ER73380 (1)ER73370 (1)ER73360 (1)ER73350 (1)ER29280 (1)ER60390 (1)ER75010 (1)ER74530 (1)ER03850 (1)ER85920 (1)ER60360)
1	ROKKIT4090	KIT, Bearing and Seal (Early) (Incl: (2)ER73430 (2)ER73420 (1)ER75010 (1)ER75110 (1)ER74360 (1)ER74530 (1)ER76390 (1)ER76940 (1)ER76910 (1)ER03850 (1)ER29280 (1)ER29290 (1)ER60780 (1)ER73230)

ROCKWELL DIFFERENTIAL – SSHD – FORWARD REAR AXLE

KEY	OEM REF.	DESCRIPTION
1	ROK1227-D-940	NUT
2	ROK1229-N-1730	WASHER
3	ROKA-1805-F-162	SEAL (3in I.D.) (Early)
3	MAK446GC181	SEAL (3-1/4in I.D.)
4	ROKS-2712-1	SCREW
5	ROK1229-E-1513	WASHER
6	ROK3226-M-351	ASSEMBLY, Cage (3in Bore) (Early)
6	ROKA-3226-E-629	ASSEMBLY, Cage (3-1/4in Bore) (Early)
6	ROKA-3226-N-898	ASSEMBLY, Cage
7	ROK2203-G-4089	SHIM (.003in thk)
7	ROK2203-H-4090	SHIM (.005in thk)
7	ROK2203-Q-6083	SHIM (.003in thk)
7	ROK2203-R-6084	SHIM (.005in thk)
7	ROK2203-S-6085	SHIM (.010in thk)
8	MAK8235-JH211710	CUP
9	MAK8235-JH211749	BEARING
10	ROK5-X-591	O-RING
10	ROK1205-A-911	O-RING
11	ROK3280-L-7604	COLLAR, Clutch
11	ROK3280-G-2529	COLLAR, Clutch (Early)
12	ROK3280-N-6748	SHAFT, Input
12	ROK3280-S-5609	SHAFT, Input (Early)
13	ROK1229-M-2769	WASHER, Thrust
14	ROK3892-F-1826	GEAR, Drive Input
15	ROKNL-27-1	NUT
16	ROK1229-E-1513	WASHER
17	ROKA2-3235-F-1800	ASSEMBLY, Case (Incl: Keys 15, 16, 18, 19, 20 & 22)
17	RO- KA2-3235-Q-2747	ASSEMBLY, Interaxle Differential (Bolted) (2.12in x 22 spline)

Continued



ROCKWELL DIFFERENTIAL – SSHD – FORWARD REAR AXLE

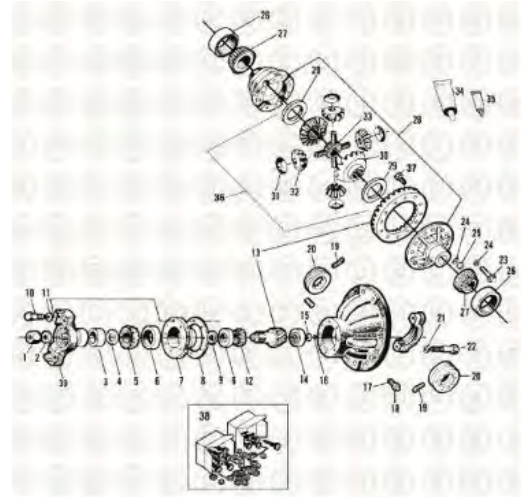
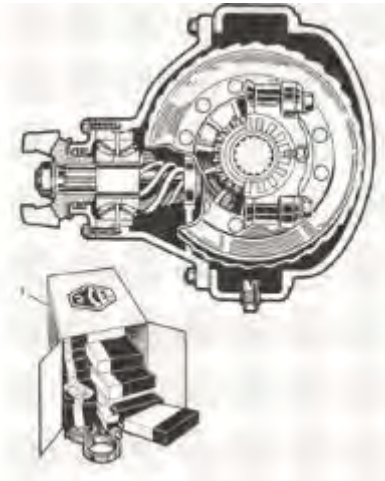
Continued

KEY	OEM REF.	DESCRIPTION	KEY	OEM REF.	DESCRIPTION
18	ROK1229-T-1606	WASHER, Thrust	34	ROK1227-D-940	NUT
19	ROK2233-W-153	GEAR	35	ROK1229-S-1605	WASHER
20	ROK3278-Y-129	SPIDER (Early)	36	MAK31SP48	CONE
20	ROK3278-V-1088	SPIDER	37	MAK64AX104	CUP
21	ROK1229-V-2570	RING, Retaining (Current)	38	ROK1244-G-787	SPACER
21	ROK1229-R-1604	RING, Retaining	39	ROKKIT521	SPACER
21	ROK1229-L-4354	RING, Retaining (Round Section)	40	ROK3892-D-1798	GEAR
22	ROK15-X-1518	SCREW	41	ROK2203-F-2788	SHIM (.003in thk)
22	ROKS-2726-1	SCREW	41	ROK2203-G-2789	SHIM (.005in thk)
23	ROK2234-F-604	GEAR, Side (Early)	41	ROK2203-H-2790	SHIM (.010in thk)
23	ROK2234-M-793	GEAR, Side	42	MAK64AX242	CUP
24	MAK8235-JLM714149	BEARING	43	MAK62AX438	CONE
24	MAK8235-A1228N326	BEARING, Ball	44	ROKMPS1942	KIT, Input Shaft (Early) (Incl: (1)ER22470 (1)ER24190 (1)ER28250 (1)ER60780)
25	MAK8235-JLM714110	CUP	45	ROK1228-P-458	BEARING, Ball
26	ROKS-21014-1	SCREW	46	ROKKIT2498	KIT, Input Shaft (Current) (Incl: (1)ER21590 (1)ER22470 (1)ER28250)
26	ROKS-21013-1	SCREW	47	N/A	YOKE, Drive
26	ROKS-21022-1	SCREW	48	ROKA-3235-B-1250	ASSEMBLY, Case (Incl: Keys 15, 16, 17 & 22)
27	ROK1229-N-1626	WASHER	49	RO- KA1-3235-G-1801	ASSEMBLY, Case (Incl: Keys 15, 16 & 22)
28	ROK1229-T-1554	WASHER			
28	ROK1229-M-1625	WASHER			
29	ROK10-X-546	SCREW			
30	ROKS-266-1	SCREW			
31	ROK1229-C-1017	WASHER			
32	ROK3262-H-112	COVER			
33	ROK2208-F-300	GASKET			
33	ROK2208-G-501	GASKET			
33	ROK2208-F-500	GASKET			



ROCKWELL DIFFERENTIAL – SSHD – FORWARD REAR AXLE COMPONENTS

KEY	OEM REF.	DESCRIPTION	KEY	OEM REF.	DESCRIPTION
1	N/A	SET, Gear	21	ROK1229-W-2597	RING, Retaining (.176in thk)
2	ROK2214-X-50	RING, Adjusting	21	ROK1229-X-2598	RING, Retaining (.179in thk)
3	MAK64AX203	CUP	21	ROK1229-Y-2599	RING, Retaining (.182in thk)
4	MAK62AX352	CONE	22	ROKA-1205-A-1925	SEAL (Use ER76910)
5	ROKNL-110-1	NUT	22	MAK88AX319P2	SEAL
6	ROK1229-N-1626	WASHER	23	ROK1229-C-2057	WASHER
7	ROKA-3235-N-1678	CASE	23	ROK1229-C-1017	WASHER
7	ROKA-3235-Q-1681	CASE (Fast Ratio 3.73 - 4.56)	24	ROK1229-T-1736	WASHER
8	ROK1229-E-993	WASHER, Thrust	25	ROK1227-J-946	NUT
9	ROK2234-K-271	GEAR, Side (2-1/4in-23 Spline)	25	ROK1227-A-937	NUT
9	ROK2234-F-344	GEAR, Side (2-3/8in-24 Spline)	26	ROK15-X-1514	SCREW
10	ROK1229-D-992	WASHER, Thrust	26	ROK15-X-1515	SCREW
11	ROK2233-U-99	PINION, Spider	27	ROK15-X-1474	SCREW
12	ROK3278-A-79	SPIDER	28	ROKKIT327	KIT, Differential Nest (Incl: (1)ER08000 (4)ER30830 (2)ER30840 (2)ER74380 (4)ER74680)
13	ROK3280-L-6720	SHAFT	28	ROKKIT383	KIT, Differential Nest (Incl: (1)ER08000 (4)ER30830 (2)ER30840 (2)ER74440 (4)ER74680)
14	ROK2208-C-445	GASKET	29	ROKKIT2393	KIT, Bolt (Square Head Bolts) (Incl: (12)ER00650 (12)ER08270 (12)ER01960)
15	ROKA-3226-W-699	CASE Assembly	29	ROKKIT948	KIT, Bolt, Gear Set (Hex Head Bolts) (Incl: (12)ER00650 (12)ER01570 (12)ER01960)
16	ROK1229-K-1597	WASHER	30		YOKE, Drive
17	ROKS-268-1	SCREW			
18	MAK64AX294	CUP (Current)			
19	MAK8235-LM104949	CONE (Current)			
20	MAK46AX115	BEARING, Ball			
21	ROK1229-P-2590	RING, Retaining (.155in thk)			
21	ROK1229-Q-2591	RING, Retaining (.159in thk)			
21	ROK1229-R-2592	RING, Retaining (.161in thk)			
21	ROK1229-S-2593	RING, Retaining (.164in thk)			
21	ROK1229-T-2594	RING, Retaining (.167in thk)			
21	ROK1229-U-2595	RING, Retaining (.170in thk)			
21	ROK1229-V-2596	RING, Retaining (.173in thk)			



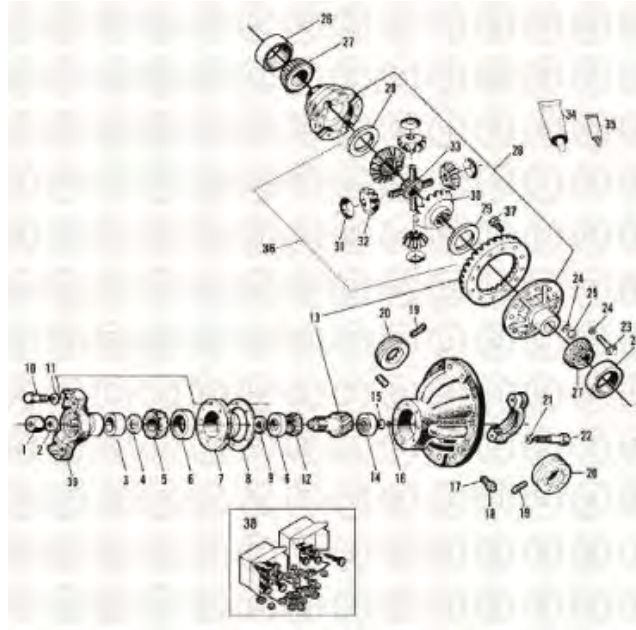
ROCKWELL DIFFERENTIAL - SSHR - SERVICE KITS

KEY	OEM REF.	DESCRIPTION
1	ROKKIT4075	KIT, Bearing and Seal Includes Bearings (1)BBG-6173 (2)GCU-7453 (1)BBG-7435 (2)BCU-7342 (2)BBG-7343 (1)BBG-7436 Seal (1)BOS-7741 Sealant (1)BSR-0385
1	ROKKIT4105	KIT, Bearing and Seal Includes Bearings (1)BBG-6173 (2)BBG-7343 (2)BCU-7342 (1)BBG-7436 (1)BBG-7435 (2)GCU-7453 Sealant (1)BSR-0385 Tube (1)BBM-0381 Seal (1)ER77360

**ROCKWELL DIFFERENTIAL – SSHR
 – REAR DIFFERENTIAL**

KEY	OEM REF.	DESCRIPTION
1	ROK1227-J-946	NUT
2	ROK1229-T-1736	WASHER
3	ROKA-1205-P-1914	SEAL (5-1/2in O.D.) (Current)
3	ROKA1-1805-S-149	SEAL (5-1/2in O.D.) (Early)
3	MAK88AX464	SEAL (3-7/8in O.D.) (Service)
4	ROK1229-E-1071	WASHER
5	MAK62AX494	CONE
6	MAK64AX242	CUP
7	ROKA-3226-L-896	ASSEMBLY, Cage
8	ROK2203-L-1260	SHIM (.003in thk)
8	ROK2203-A-469	SHIM (.005in thk)
8	ROK2203-B-470	SHIM (.010in thk)
9	ROK2203-L-1078	SPACER (.248in thk)
9	ROK2203-V-1088	SPACER (.277in thk)
9	ROK2203-W-1089	SPACER (.283in thk)
9	ROK2203-X-1090	SPACER (.289in thk)
9	ROK2203-M-1079	SPACER (.249in thk)
9	ROK2203-N-1080	SPACER (.250in thk)
9	ROK2203-P-1082	SPACER (.251in thk)
9	ROK2203-Q-1083	SPACER (.252in thk)
9	ROK2203-R-1084	SPACER (.253in thk)
9	ROK2203-S-1085	SPACER (.259in thk)
9	ROK2203-T-1086	SPACER (.265in thk)
9	ROK2203-U-1087	SPACER (.271in thk)
10	N/A	YOKE, Drive
11	MAK37AX6	WASHER
12	MAK62AX438	CONE
13	N/A	SET, Gear
14	MAK67AX189	BEARING, Ball
15	ROK1199-Z-1430	RETAINER
16	ROK1229-U-1113	RING, Retaining
17	ROK15-X-1025	SCREW, Adjusting (Early)

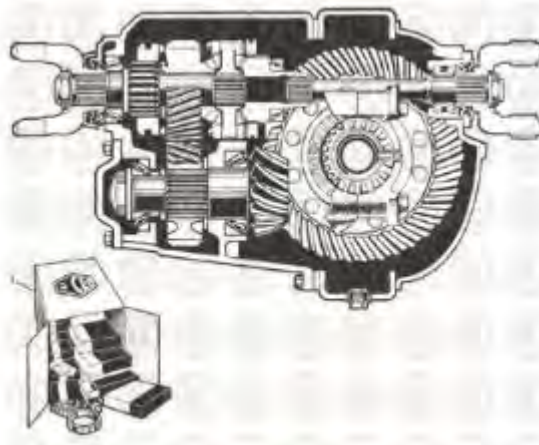
Continued



**ROCKWELL DIFFERENTIAL – SSHR
– REAR DIFFERENTIAL**

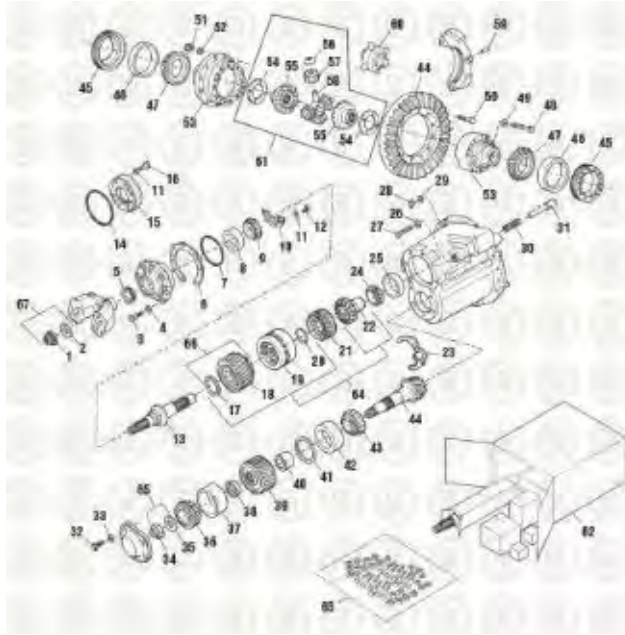
Continued

KEY	OEM REF.	DESCRIPTION	KEY	OEM REF.	DESCRIPTION
17	ROKS-11410A	SCREW, Adjusting	36	ROKKIT327	KIT, Differential Nest Includes Gears (2)ER74380 Pinions (4)ER74680 Spider (1)ER08000 Washers (2)ER30840 (4)ER30830
18	ROK13-X-41	NUT (Early)	36	ROKKIT383	KIT, Differential Nest Includes Gear (2)ER74440 Pinion (4)ER74680 Spider (1)ER08000 Washers (2)ER30840 (4)ER30830
19	ROK1199-M-2457	PIN, Cotter	37	ROK15-X-1474	SCREW
20	ROK2214-X-50	RING, Adjusting	38	ROKKIT948	KIT, Bolt Includes Washer (12)ER00650 Screw (12)ER01570 Nut (12)ER01960
21	ROK1229-T-1554	WASHER			
22	ROK10-X-546	SCREW			
23	ROK15-X-1514	SCREW (Short)			
23	ROK15-X-1515	SCREW (Long)			
24	ROK1229-N-1626	WASHER			
25	ROKNL-110-1	NUT			
26	MAK64AX203	CUP			
27	MAK62AX352	CONE			
28	RO- KA32-3235-N-1106	ASSEMBLY, Case (Early, Standard Ratio)			
28	RO- KA39-3235-Q-1109	ASSEMBLY, Case (Early, Fast Ratio)			
28	ROKA-3235-N-1678	ASSEMBLY, Case (Standard Ratio)			
28	ROKA-3235-Q-1681	ASSEMBLY, Case (Fast Ratio 3.73 - 4.56)			
29	ROK1229-E-993	WASHER, Thrust			
30	ROK2234-K-271	GEAR, Side (2-1/4in-23 Spline)			
30	ROK2234-F-344	GEAR, Side (2-3/8in-24 Spline)			
31	ROK1229-D-992	WASHER, Thrust			
32	ROK2233-U-99	PINION			
33	ROK3278-A-79	SPIDER			
34	MAK342SX32	TUBE, Sealant (Silicone)			
35	MAK8235- 2297T4180	TUBE, Thread Adhesive			



**ROCKWELL DIFFERENTIAL – RD/RP/RT 17140, 20140,
34145, 40140, 40145, 44145 – SERVICE KITS**

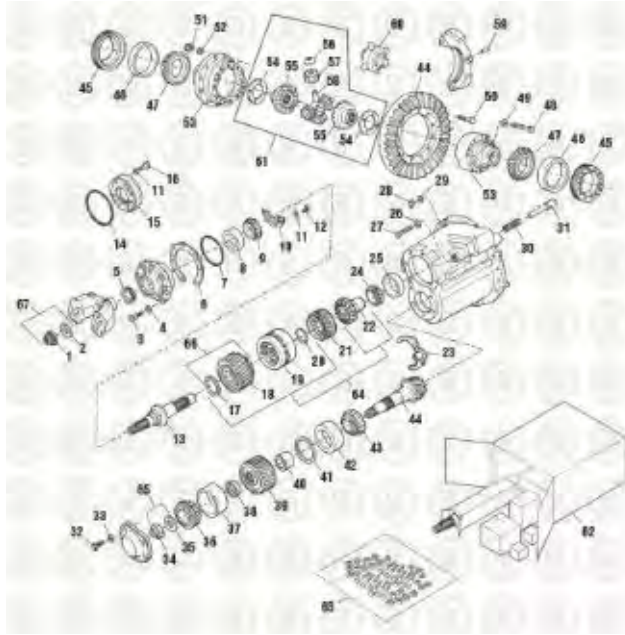
KEY	OEM REF.	DESCRIPTION	KEY	OEM REF.	DESCRIPTION
1	ROKKIT4406	KIT, Bearing and Seal Includes Bearings (1)BCU-7156 (1)BCU-7167 (1)GCU-7453 (1)BBG-7154 (1)GCU-7118 (1)BBG-7407 (1)BBG-7435 (1)BBG-7155 (1)BCU-7344 (1)BBG-7345 (1)BCU-7392 (1)BBG-7331 (2)GCU-6036 (2)BBG-6039 Seals (1)ER73170 (1)EOS-8592 O-Ring (2)ER29230 Sealant (1)BSR-0385 Tube (1)BBM-0381	1	ROKKIT4396	KIT, Bearing and Seal Includes Bearings (1)BBG-7154 (2)ER60360 (2)ER73310 (2)ER73920 (2)ER60390 (1)ER71180 (1)ER71550 (1)ER71560 (1)ER71580 (1)EM71670 (1)ER74070 (1)ER74350 (1)ER74530 Seals (1)EOS-8592 (1)ER73170 O-Rings (2)ER29230 Tube (1)BBM-0381 Sealant (1)BSR-0385
1	ROKKIT4405	KIT, Bearing and Seal Includes Bearings (1)BBG-7331 (1)BBG-7345 (1)BCU-7392 (1)BCU-7344 (1)BCU-7118 (1)GCU-7453 (1)BBG-7407 (1)BBG-7435 (1)BCU-7158 (1)BBG-7157 (1)BCU-7156 (1)BBG-7155 (2)BBG-6039 (2)ER60360 Seal (2)ER73170 Sealant (1)BSR-0385 Tube (1)BBM-0381 O-Ring (2)ER29230	1	ROKKIT4355	KIT, Bearing and Seal Includes Bearings (1)GCU-7453 (1)BCU-7118 (1)BCU-7156 (1)BBG-7435 (1)BBG-7407 (2)BCU-7635 (2)BCU-7392 (1)BBG-7155 (1)BCU-7158 (1)BBG-7157 (2)BBG-7636 (2)BBG-7331 Seals (1)ER73170 (1)ER76930 O-Ring (2)ER29230 Sealant (1)BSR-0385 Tube (1)BBM-0381
1	ROKKIT4395	KIT, Bearing and Seal Includes Bearings (1)GCU-7453 (1)BCU-7118 (1)BCU-7156 (1)BBG-7435 (1)BBG-7407 (2)GCU-6036 (2)BCU-7392 (1)BBG-7155 (1)BBG-7157 (2)BBG-7331 (2)BBG-6039 (1)BCU-7158 Seal (2)ER73170 O-Ring (2)ER29230 Tube (1)BBM-0381 Sealant (1)BSR-0385	1	ROKKIT4356	KIT, Bearing and Seal Includes Bearings (1)GCU-7453 (1)BCU-7118 (1)BCU-7156 (1)BBG-7435 (1)BBG-7407 (2)BCU-7635 (2)BCU-7392 (1)BBG-7155 (1)BCU-7158 (1)BBG-7154 (2)BBG-7636 (2)BBG-7331 Seals (1)EOS-8592 (1)ER76930 O-Ring (2)ER29230 Sealant (1)BSR-0385 Tube (1)BBM-0381



**ROCKWELL DIFFERENTIAL – RD/RP/RT 17140, 20140,
34145, 40140, 40145, 44145 – FORWARD TANDEM AXLE**

KEY	OEM REF.	DESCRIPTION	KEY	OEM REF.	DESCRIPTION
1	ROK40-X-1237	NUT, Input Shaft (Prior to 11/93) (M39 x 1.5)	13	ROKA-3297-T-1346	ASSEMBLY, Input Shaft (Pump)(Current) (2-3/8in-46 Spline)
1	ROK40-X-1233	NUT, Input Shaft (Current) (M45 x 1.5)	13	ROKA-3297-U-1347	ASSEMBLY, Input Shaft (Non-Pump) (Current)
2	ROK1229-T-1736	WASHER (Prior to 11/93)	13	ROKA-3297-Q-1161	ASSEMBLY, Input Shaft (Pump) (Prior to 11/93)
2	ROK1229-N-1730	WASHER (Current)	13	ROKA-3297-A-1197	ASSEMBLY, Input Shaft (Non-Pump)(Prior to 11/93) (Use ER24290)
3	ROKMS-212045-1	SCREW (Ductile Iron Case)	13	ROKKIT2623	ASSEMBLY, Input Shaft (Prior to 8/91) Includes Shaft and Splined Driven Pump)
3	ROK41-X-1043	SCREW (Aluminum Case)	14	ROK5-X-1034	O-RING, Oil Pump
4	MAK37AX6	WASHER	15	ROKA-3303-P-1030	PUMP (Spline Driven)
5	MAK8235- A1205P2590	SEAL, Input Shaft (All prior to 11/93)	16	ROKMS-208045-1	SCREW
5	ROKA1-1205-X-2728	SEAL, Input Shaft (All after 11/93-Service w/Sleeve)	17	ROK1229-S-4985	WASHER, Thrust
5	MAK8235- A1205R2592	SEAL, Input Shaft (All after 11/93) (Current)	18	ROK3892-R-4932	GEAR, Side/Helical Interaxle Differential (RS/RD/RT 44145)
5	ROKA1-1205-Y-2729	SEAL, Input Shaft (All prior to 11/93-Service w/Sleeve)	18	ROK3892-N-5942	GEAR, Side/Helical Interaxle Differential
6	ROK2203-K-9241	SHIM (.003in thk)	19	ROKA-3235-W-2025	ASSEMBLY, Differential Interaxle
6	ROK2203-L-9242	SHIM (.005in thk)	19	ROKA3235-N-2380	ASSEMBLY, Differential Interaxle
6	ROK2203-M-9243	SHIM (.010in thk)	20	ROK2297-E-5335	RING, Retaining
7	ROK5-X-1034	O-RING, Input Housing (RD/RP/RT 20145/22145)	21	ROK3107-M-1183	CLUTCH, IAD Sliding
8	MAK64AX13	CUP, Input Shaft	21	ROK3107-S-1059	CLUTCH, IAD Sliding
9	TIMJM511945	CONE (Current)	22	ROK2234-R-1188	GEAR, Side/Interaxle Differential (RS/RD/RT 44145)
9	MAK8235-JM511946	CONE (Prior to 11/93)	23	ROKA-3296-A-1093	FORK
10	ROK3221-P-1004	BAFFLE, Oil (Non-Pump)	24	MAK8235- JLM710949C	CONE
11	ROK1229-S-2931	WASHER ,Oil Baffle			
12	ROKMS-208016-1	SCREW			

Continued

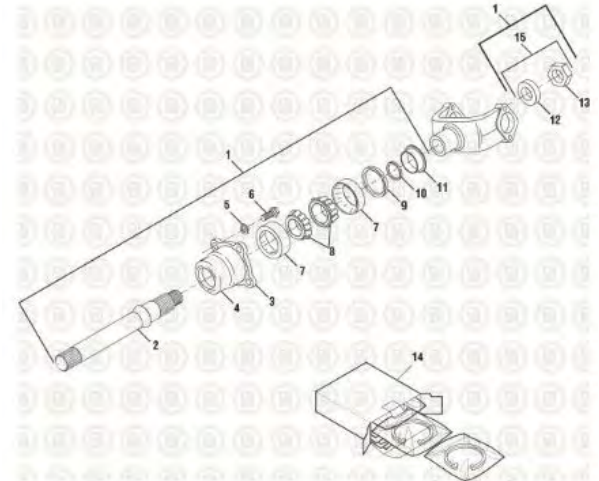
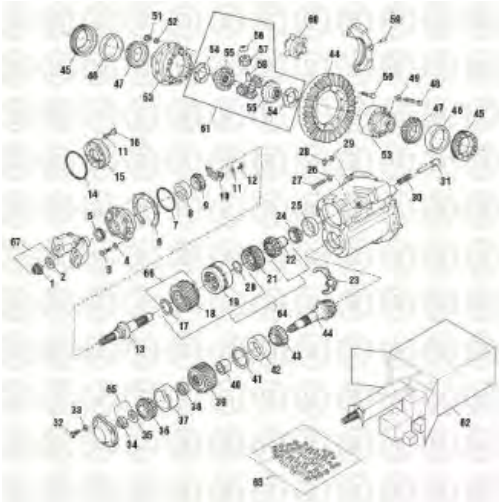


**ROCKWELL DIFFERENTIAL – RD/RP/RT 17140, 20140,
34145, 40140, 40145, 44145 – FORWARD TANDEM AXLE**

Continued

KEY	OEM REF.	DESCRIPTION	KEY	OEM REF.	DESCRIPTION
25	MAK8235-JLM710910	CUP	46	TIMJP10010A	CUP (LH w/ Lock)
26	ROKMN-312-1	NUT, Jam	46	MAK8235-JM716610	CUP (RH & LH w/o Lock)
27	ROK41-X-1208	SCREW, Adjusting	47	MAK8235-JM716649	CONE (RH & LH w/o Lock)
28	ROKNL-110-1	NUT	47	TIMJP10049	CONE (LH w/ Lock)
29	ROK1229-N-1626	WASHER	48	ROK41-X-1327	SCREW
30	ROK2258-U-411	SPRING	49	MAK37AX6	WASHER
31	ROK2244-K-1025	SHAFT	50	ROK41-X-1216	SCREW
32	ROKMS-210020-1	SCREW (Ductile Iron Case)	51	MAK21AX785	NUT
32	ROKMS-210030-1	SCREW (Aluminum Case)	52	ROK1229-N-1626	WASHER
33	ROK1229-K-1597	WASHER	53	N/A	CASE ASSEMBLY
34	ROK40-X-1145	NUT, Pinion (M50 x 2) (145 Series Only)	54	ROK1229-V-4624	WASHER, Thrust (Side Gear) (RD/RT 44145)(Current)
34	ROK40-X-1233	NUT, Pinion (M45 x 1.5) (140 & 145 Series)	54	ROK1229-Y-3015	WASHER (Prior to 11/93)
35	ROK1229-G-4063	WASHER (Use w/ ER22190)	55	ROK2234-U-1269	GEAR (40,000lb, Current) (41 Spline)
35	ROK1229-W-4521	WASHER (Use w/ ER22740)	55	ROK2234-U-1269S	GEAR (40,000lb. Prior to 11/93) (41 Spline)
36	MAK62AX250	CONE	55	ROKKIT2696	GEAR (RT 44145 Prior to 12/92) (41 Spline)
37	MAK64AX42	CUP	55	ROK2234-X-1272S	GEAR(RT 44145 1/93 to 11/93) (41 Spline)
38	N/A	SPACER	55	ROK2234-X-1272	GEAR (RT 44145 Current) (41 Spline)
39	ROK3892-N-4902	GEAR	55	ROK2234-V-1270S	GEAR (34,000lb. Prior to 11/93) (39 Spline)
40	ROK1244-V-1764	SPACER	55	ROK2234-V-1270	GEAR (34,000lb. Current) (39 Spline)
41	ROK2203-F-2788	SHIM,Cup (.003in thk)	56	ROK1229-R-1032	WASHER
41	ROK2203-G-2789	SHIM,Cup (.005in thk)	57	ROK2233-J-1024	PINION (Except RT 44145 After 1/93)
41	ROK2203-H-2790	SHIM,Cup (.010in thk)	57	ROK2233-X-1116	PINION (RT 44145 After 1/93 Only)
42	MAK64AX242	CUP			
43	MAK62AX494	CONE			
44	N/A	SET,Gear			
45	ROK2214-C-1095	ADJUSTER (R.H. & L.H. w/o Lock)			
45	ROK2214-Y-1039	ADJUSTER (LH w/ Lock)			

Continued



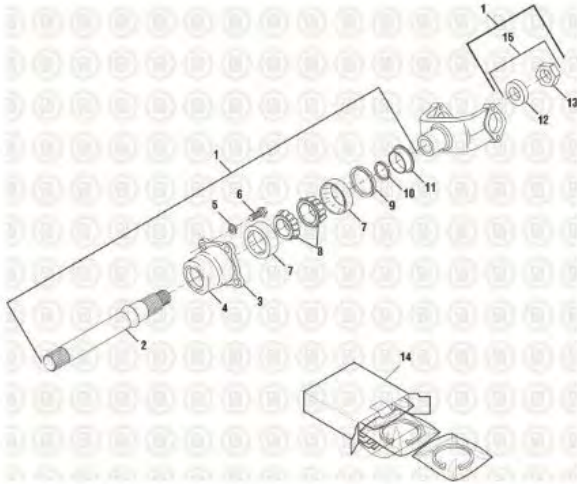
ROCKWELL DIFFERENTIAL – RD/RP/RT 17140, 20140, 34145, 40140, 40145, 44145 – FORWARD TANDEM AXLE
Continued

KEY	OEM REF.	DESCRIPTION
58	ROK3278-S-305	SPIDER (Except 44,000lb.)
58	ROK3278-Y-1117	SPIDER (44,000lb. Only)
58	ROK3278-A-1119	SPIDER, IAD(RT 140/145)
59	ROK1199-R-2176	PIN (RH & LH w/o Lock)
59	ROK1246-P-1134	PIN
60	ROKA-3230-T-1034	NEST (No Spin) (40/44,000lb. Tandems) (41 Spline)
60	ROKA-3230-U-1035	NEST (No Spin) (34,00 lb. Tandems) (39 Spline)
61	ROKKIT2311	KIT, Nest (w/o Spider) Includes Washers (4)ER30570 (2)ER31230 Pinions (4)ER75690 Gears (2)ER75510
61	ROKKIT2310	KIT, Nest (w/Spider) Includes Washers (4)ER30570 (2)ER31230 Pinions (4)ER75690 Gears (2)ER75510 Spider (1)ER07970
62	N/A	KIT, Front Section Includes Differential Assembly (1)ER21140 Input Assembly (1)ER24280 Side Gears (1)ER74620 (1)ER74750 Pinion Gear (1)ER74180 Washers (1)ER31470 (1)EE30950
63	ROKKIT2317	KIT, Gear Bolt Includes Screws (12)BSC-0329 Washer (12)ER00650 Nuts (12)FNU-0217
64	ROKKIT2488	KIT, Interaxle Differential Includes Assembly (1)ER21140 Side Gears (1)ER47620 (1)ER74750 Washer (1)ER31470 Ring (1)ER28490
65	ROKKIT2638	KIT, Hardware Includes Nut (1)ER22740 Washer (1)940050
66	ROKKIT4007	KIT,IAD Gear Includes Gear (1)94025 Thrust Washer (1)ER31470
67	ROKKIT2637	KIT,Hardware Includes Nut (1)ER22610 Washer (1)ER00460

ROCKWELL DIFFERENTIAL – RD,RP,RT 17140, 20140, 34145, 40140, 40145, 44145 – FORWARD TANDEM AXLE
OUTPUT (THRU) SHAFT ASSEMBLY

KEY	OEM REF.	DESCRIPTION
1	RO- KA1-3226-R-1214	ASSEMBLY, Output Shaft
1	ROKA1-3226-T-1112	ASSEMBLY, Output Shaft
2	ROK3297-N-1158	SHAFT, Output
2	ROK3297-E-1019	SHAFT, Output
3	MAK342SX32	SEALANT
4	ROKA-3226-R-1214	ASSEMBLY, Bearing Cage
4	ROKA-3226-T-1112	ASSEMBLY, Bearing Cage
5	ROK1229-K-1597	WASHER
6	ROK15-X-387	CAPSCREW
7	MAK64AX294	CUP
7	MAK8235-LM603011	CUP (RD17140/20140 Only)
8	MAK8235-LM104949	CONE
8	MAK8235-LM603049	CONE (RD17140/20140 Only)
9	ROK1229-A-2237	RING (0.155in) (3.94mm) (RD17140/20140 Only)
9	ROK1229-B-2238	RING (0.158in) (4.01mm) RD17140/20140 Only)
9	ROK1229-C-2239	RING (0.161in) (4.09mm) RD17140/20140 Only)
9	ROK1229-D-2240	RING (0.164in) (4.17mm) RD17140/20140 Only)
9	ROK1229-E-2241	RING (0.167in) (4.24mm) RD17140/20140 Only)
9	ROK1229-F-2242	RING (0.170in) (4.32mm) RD17140/20140 Only)
9	ROK1229-G-2243	RING (0.173in) (4.39mm) RD17140/20140 Only)
9	ROK1229-H-2244	RING (0.176in) (4.47mm) RD17140/20140 Only)
9	ROK1229-J-2246	RING (0.179in) (4.55mm) RD17140/20140 Only)
9	ROK1229-K-2247	RING (0.182in) (4.62mm) RD17140/20140 Only)
9	ROK1229-P-2590	RING (0.155in) (3.94mm)

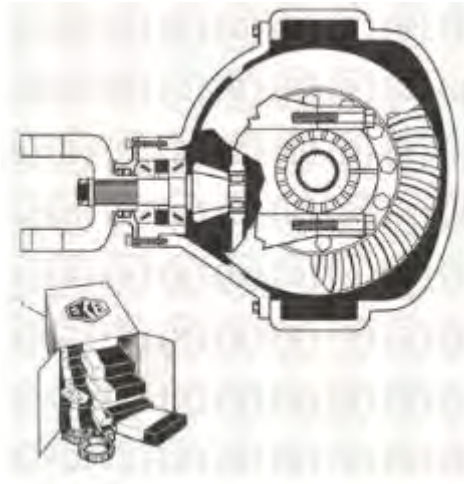
Continued



ROCKWELL DIFFERENTIAL – RD,RP,RT 17140, 20140, 34145, 40140, 40145, 44145 – FORWARD TANDEM AXLE OUTPUT (THRU) SHAFT ASSEMBLY

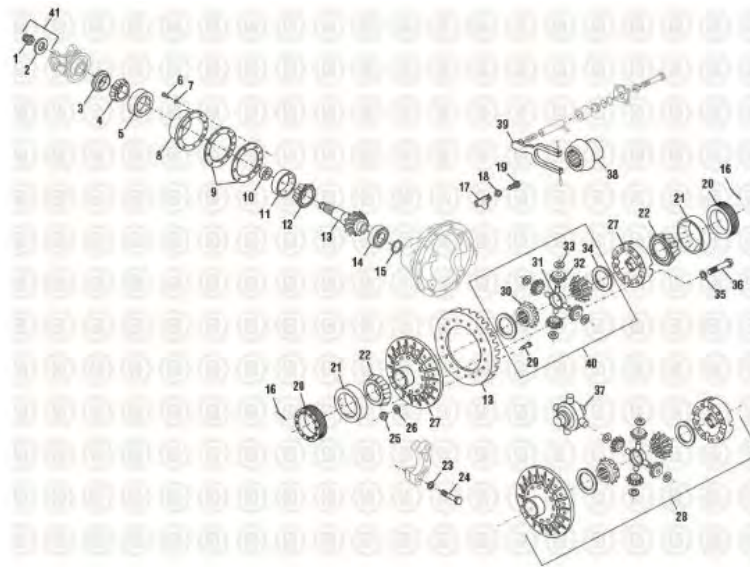
Continued

KEY	OEM REF.	DESCRIPTION
9	ROK1229-Q-2591	RING (0.158in) (4.01mm)
9	ROK1229-R-2592	RING (0.161in) (4.09mm)
9	ROK1229-S-2593	RING (0.164in) (4.17mm)
9	ROK1229-T-2594	RING (0.167in) (4.24mm)
9	ROK1229-U-2595	RING (0.170in) (4.32mm)
9	ROK1229-U-2595	RING (0.173in) (4.39mm)
9	ROK1229-W-2597	RING (0.176in) (4.47mm)
9	ROK1229-X-2598	RING (0.179in) (4.55mm)
9	ROK1229-Y-2599	RING (0.182in) (4.62mm)
10	ROK1829-A-859	RING (RD17140/20140 Only)
10	ROK1229-W-4131	RING
11	MAK8235-A1205P2590	SEAL, Output (Current)
11	ROKA-1205-W-1895	SEAL, Output
11	ROKA-1205-G-2425	SEAL, Output (Early Design Tandem) (RD17140/20140 Only)
11	ROKA1-1205-Y-2729	SEAL, Output (Service w/ Sleeve-Current)
12	ROK1229-T-1736	WASHER
12	MAK35AX1435	WASHER (RD17140/20140 Only)
13	ROK40-X-1237	NUT
13	ROK40X-1236	NUT(RD17140/20140 Only)
14	ROKKIT530	KIT,Retaining Ring (Incl: (1)ER27260-155 (1)ER27260-158 (1)ER27260-161 (1)ER27260-164 (1)ER27260-167 (1)ER27260-170 (1)ER27260-173 (1)ER27260-176 (1)ER27260-179 (1)ER27260-182)
15	ROKKIT2637	KIT,Hardware Includes Nut (1)ER22610 Washer (1)ER00460



ROCKWELL DIFFERENTIAL – SINGLE AXLES 16140, 16141, 17140, 17141, 17145, 19145, 20140, 20145, 21134, 22145 REAR-REAR AXLE FOR TANDEM 34145, 40140, 40145,44145 – SERVICE KITS

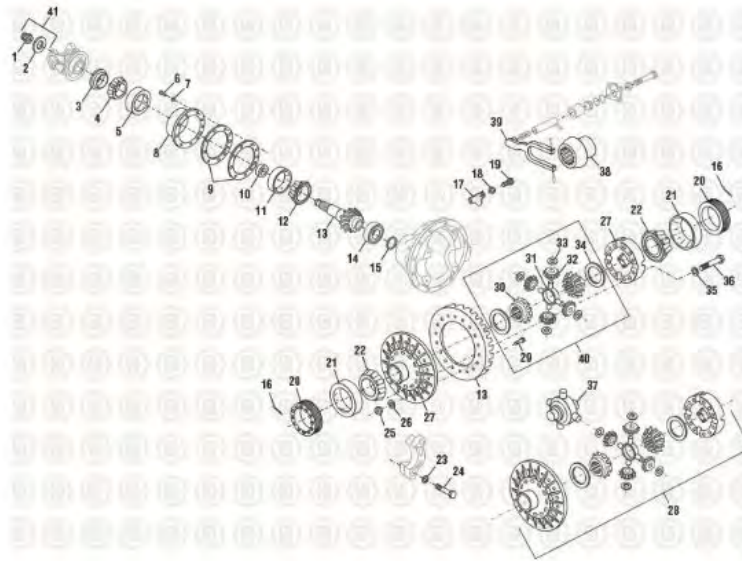
KEY	OEM REF.	DESCRIPTION
1	ROKKIT4390	KIT, Bearing and Seal (RS 21145, RR 20145, 22145) (RT 40145, 441145) (Incl: (1)ER77430 (1)BBM-0381 (1)BSR-0385 (1)BBG-7327 (1)BBG-7331 (1)BCU-7344 (1)BBG-7345 (1)BCU-7392 (1)BBG-7407 (1)BBG-7411 (1)BBG-7419 (1)BCU-7118)
1	ROKKIT4400	KIT, Bearing and Seal (RS 21145) (RR 17145, 20145, 22145) (RT 34145, 40140, 40145, 44145) Includes Bearings (1)ER74190 (1)ER71180 (1)BBG-7327 (2)ER73920 (2)ER73310 (1)ER74070 (1)EE74110 Seal (1)ER77430 Sealant (1)BSR-0385 Tube (1)BBM-0381



**ROCKWELL DIFFERENTIAL – SINGLE AXLES 16140, 16141, 17140, 17141, 17145, 19145, 20140, 20145, 21134, 22145
REAR-REAR AXLE FOR TAMDEMS 34145, 40140, 40145, 44145
– SINGLE AXLE/REAR TANDEM AXLES REAR-REAR**

KEY	OEM REF.	DESCRIPTION	KEY	OEM REF.	DESCRIPTION
1	ROK40-X-1237	NUT, Pinion	9	ROK2203-E-8117	SHIM (.008in thk) (3200-Q-1785/3200-S-1865 Housings Only)
1	ROK40-X-1236	NUT, Pinion (RS 17140 Only)	9	ROK2203-B-9804	SHIM (.020in thk) (3200-Q-1785/3200-S-1865 Housings Only)
2	ROK1229-T-1736	WASHER	10	N/A	SPACER
3	ROKA-1205-Y-1897	SEAL	11	MAK64AX42	CUP
3	ROKA-1205-D-1928	SEAL (RS 17140 Only)	11	MAK64AX132	CUP (RS 17140 Only)
4	FUL235418	CONE (RS 17140 Only)	12	MAK2719-12496	CONE (RS 17140 Only)
4	MAK8235-55206C	CONE	12	MAK62AX250	CONE
5	FUL235417	CUP (RS 17140 Only)	13	N/A	SET, Gear
5	MAK64AX132	CUP	14	MAK8235-1228F552	BALL Bearing
6	ROKMS-212045-1	SCREW, Bearing Cage	15	ROK1229-A-1301	RING, Retaining
6	ROK41-X-1043	SCREW, Bearing Cage (Aluminum)	16	ROK1199-R-2176	PIN, Lock
7	MAK37AX6	WASHER	16	ROK1246-P-1134	PIN, Lock
8	ROKA-3226-M-1053	CAGE, Pinion Bearing (2.80 - 3.21 Ratio) (Incl: Keys 5 & 11)	17	ROK1220-K-89	PLATE, Lock
8	ROKA-3226-N-1236	CAGE, Pinion Bearing (3.42 - 7.17 Ratio) (Incl: Keys 5 & 11)	18	ROKMWA-508	WASHER
8	ROKA-3226-P-1056	CAGE, Pinion Bearing (RS 17140 Only, All Ratios) (Incl: Keys 5 & 11)	19	ROKMS-208020-1	SCREW
9	ROK2203-W-9175	SHIM (.003in thk)	20	ROK2214-L-272	ADJUSTER
9	ROK2203-X-9176	SHIM (.005in thk)	20	ROK2214-C-1095	ADJUSTER
9	ROK2203-Y-9177	SHIM (.008in thk)	20	ROK2214-Y-1039	ADJUSTER
9	ROK2203-Z-9178	SHIM (.020in thk)	21	ROK1228-H-606	CUP (3200-R-1500 Housing Only)
9	ROK2203-C-8115	SHIM (.003in thk) (3200-Q-1785/3200-S-1865 Housings Only)	21	ROK1228-L1130	CUP
9	ROK2203-D-8116	SHIM (.005in thk) (3200-Q-1785/3200-S-1865 Housings Only)	21	MAK8235-JM716610	CUP
			22	ROKA-1228-H-606	CONE (3200-R-1500 Housing Only)
			22	MAK8235-JM716649	CONE
			22	TIMJP10049	CONE

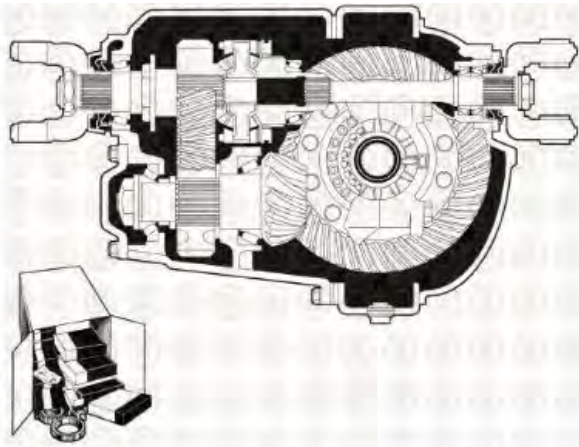
Continued



**ROCKWELL DIFFERENTIAL – SINGLE AXLES 16140, 16141, 17140, 17141, 17145, 19145, 20140, 20145, 21134, 22145
REAR-REAR AXLE FOR TAMDEMS 34145, 40140, 40145,44145
– SINGLE AXLE/REAR TANDEM AXLES REAR-REAR**

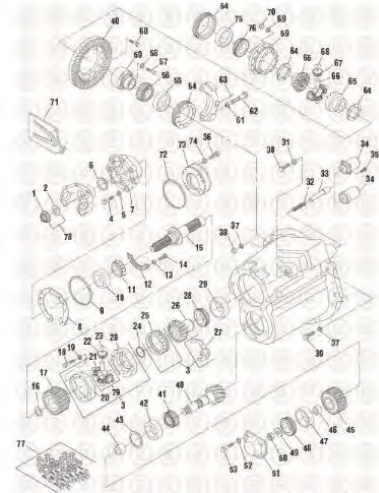
Continued

KEY	OEM REF.	DESCRIPTION	KEY	OEM REF.	DESCRIPTION
23	ROK42-X-1021	WASHER	33	ROK1229-L-1026	WASHER, Thrust (A23-3200-M-1547 Carrier Only)
24	ROKMS-220120-1	SCREW	34	ROK1229-V-4624	WASHER, Thrust (Current)
24	ROK41-X-1365	SCREW (Aluminum Housing Only)	34	ROK1229-X-4552	WASHER, Thrust (Early)
25	MAK171AM5006	NUT	34	ROK1229-Z-3172	WASHER, Thrust (A23-3200-M-1547 Carrier Only)
26	ROK1229-N-1626	WASHER	35	MAK37AX6	WASHER
27	N/A	CASE ASSEMBLY	36	ROK41-X-1327	SCREW
28	N/A	CASE ASSEMBLY	37	ROKA-3230-U-1035	ASSEMBLY, Nest (No-Spin Only) (39 Spline)
29	ROK41-X-1216	SCREW	37	ROKA-3230-V-1036	ASSEMBLY, Nest (No-Spin Only) (36 Spline)
30	ROK2234-U-1269	GEAR, Side (41 Spline) (Current) (RT 21145)	37	ROKA-3230-T-1034	ASSEMBLY, Nest (No-Spin Only) (41 Spline)
30	ROK2234-V-1270S	GEAR, Side (39 Spline) (Early)	38	ROK3107-R-1006	CLUTCH (3200-R-1500 Carrier)
30	ROK2234-V-1270	GEAR, Side (39 Spline) (Current)	38	ROK3107-D-1018	CLUTCH (3200-X-1558 Carrier)
30	ROK2234-T-1086	GEAR, Side (36 Spline)	39	ROK3296-F-188	FORK (3200-R-1500, Original Design)
30	ROK2234-X-1272S	GEAR, Side (41 Spline) (1/93 - 11/93)	39	ROK3296-N-1080	FORK (3200-N-1558, Original Design)
30	ROK2234-X-1272	GEAR, Side (41 Spline) (Current) (RT44145)	39	ROK3296-W-1167	FORK
30	ROK2234-U-1269S	GEAR, Side (41 Spline) (Early) (RT21145)	39	ROK3296-Z-1170	FORK
30	ROKKIT2696	GEAR, Side (41 Spline) (Early)	40	ROKKIT2311	KIT, Nest (w/o Spider) (Incl: (4)ER30570 (4)ER75690 (2)ER75510 (2)ER31230)
31	ROK3278-S-305	SPIDER	40	ROKKIT2310	KIT, Nest (w/ Spider) (Incl: (4)ER30570 (4)ER75690 (2)ER75510 (2)ER31230 (1)ER07970)
31	ROK3278-D-82	SPIDER (A23-3200-M-1547 Carrier Only)	41	ROKKIT2637	KIT, Hardware
31	ROK3278-Y-1117	SPIDER (RT 44145) (Current)			
32	ROK2233-J-1024	PINION			
32	ROK2233-M-1027	PINION (A23-3200-M-1547 Carrier Only)			
32	ROK2233-X-1116	PINION (RT 44145) (Current)			
33	ROK1229-R-1032	WASHER, Thrust			



ROCKWELL DIFFERENTIAL – RD/RP 20160, 23160, 23164, 25160, 26160 – SERVICE KITS

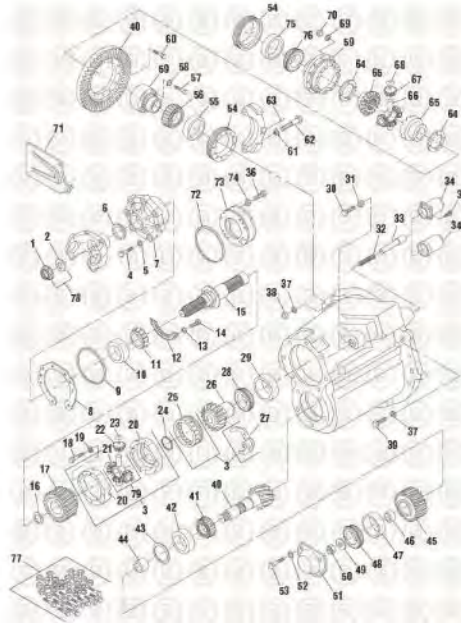
KEY	OEM REF.	DESCRIPTION
1	ROKKIT4422	KIT, Bearing & Seal (RD 23160, 23164, 26160) Includes Bearings (1)ER75110 (1)BCU-7501 (1)GCU-7453 (1)BBG-7436 (1)BCU-7622 (1)BCU-7337 (1)BBG-7338 (2)HBG-4817 (1)BBG-7623 (2)ER73530 O-Ring (1)ER29230 Seal (1)ER85910 Tube (1)BBM-0381 Sealant (2)BSR-0385
1	ROKKIT4423	KIT, Bearing & Seal (RP 23160, 23164, 26160) (RD 23160, 23164, 26160) Includes Bearings (1)ER75110 (1)BBG-7436 (1)HBG-4817 (1)ER48010 (1)ER73370 (1)ER73380 (1)ER73530 (1)EM73710 (1)ER74360 (1)ER74530 (1)ER75010 (1)EM76220 (1)EM76230 O-Ring (1)ER29230 Seal (1)ER85910 Tube (1)BBM-0381 Sealant (1)BSR-0385



ROCKWELL DIFFERENTIAL – RD,RP 20160, 23160, 23164, 25160, 26160 – FORWARD TANDEM AXLE

KEY	OEM REF.	DESCRIPTION
1	ROK40-X-1233	NUT, Input Shaft
2	ROK1229-W-4521	WASHER, Input Shaft
3	ROKA3-3235-A-2393	ASSEMBLY, Interaxle Differential (Complete) (Incl: Keys 18,19,20,21,22&23)
4	ROKMS-212040-1	SCREW
5	ROKMWA-512	WASHER
6	ROKA1-1205-X-2728	SEAL, Input Shaft (Service w/Sleeve)
6	MAK8235-A1205R2592	SEAL, Input Shaft
7	ROKA-3226-S-1137	CAGE Assembly (Incl: BCU-7622 Cup)
7	ROKA-3226-H-1126	CAGE Assembly (w/ Pump) (Incl: BCU-7622 Cup)
8	ROK2203-K-9241	SHIM (.003in thick)
8	ROK2203-L-9242	SHIM (.005in thick)
8	ROK2203-M-9243	SHIM (.010in thick)
9	ROK5-X-1034	O-RING
10	NTNHM813810	CUP
11	NTNHM813843	CONE
12	ROK3221-P-100X	BAFFLE (Not Used In Pump Applications)
13	MAK8235-1229E1669	WASHER (Not Used In Pump Applications)
14	ROKMS-208016-1	SCREW (Not Used In Pump Applications)
15	ROKA1-3297-X-1194	ASSEMBLY, Shaft (w/ Pump)
15	ROKA-3297-C-1199	ASSEMBLY, Shaft (w/o Pump)
16	ROK1229-S-4985	WASHER, Thrust
17	ROK3892-T-4934	GEAR, Helical Drive
18	ROKMS-210045A-1	SCREW
19	ROK1229-K-1597	WASHER
20	ROKA5-3235-A-2393	ASSEMBLY, Cage (Oct. 2000 and Later)

Continued

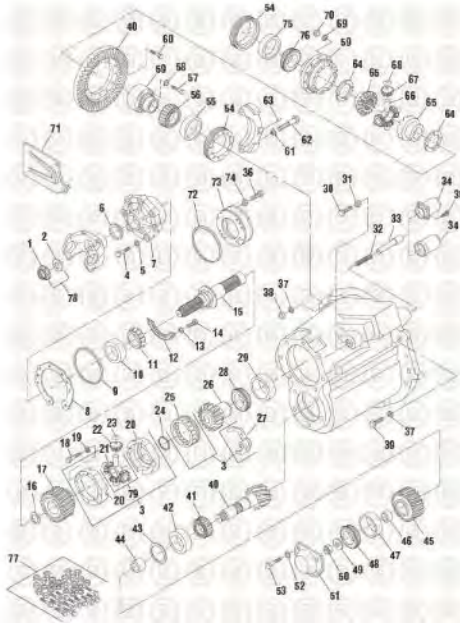


**ROCKWELL DIFFERENTIAL – RD,RP 20160, 23160,
23164, 25160, 26160 – FORWARD TANDEM AXLE**

Continued

KEY	OEM REF.	DESCRIPTION	KEY	OEM REF.	DESCRIPTION
20	ROKA1-3235-A-2393	ASSEMBLY, Cage (Before Oct. 2000)	43	ROK2203-G-2789	SHIM (.005in thk)
21	ROK3278-N-300	SPIDER	43	ROK2203-H-2790	SHIM (.010in thk)
22	ROK2233-K-245	PINION	44	ROK1244-W-1765	SPACER
23	ROK1229-Q-2929	WASHER, Thrust	45	ROK3892-U-4909	GEAR, Helical, Driven
24	ROK2297-S-5349	RING, Retaining	46	ROK2203-A-9829	SPACER, Pinion (.459in thk)
25	ROK3107-P-1212	COLLAR, Clutch	46	ROK2203-B-9830	SPACER, Pinion (.463in thk)
26	ROK2234-T-1190	GEAR, Side	46	ROK2203-C-9831	SPACER, Pinion (.467in thk)
27	ROKA-3296-T-1086	FORK	46	ROK2203-D-9832	SPACER, Pinion (.470in thk)
28	MAK8235-JLM714149	CONE	46	ROK2203-E-9833	SPACER, Pinion (.474in thk)
29	MAK8235-JLM714110	CUP	46	ROK2203-F-9834	SPACER, Pinion (.478in thk)
30	ROK41-X-1208	SCREW, Adjusting	46	ROK2203-V-9824	SPACER, Pinion (.451in thk)
31	ROKMN-312-1	NUT, Adjusting	46	ROK2203-W-9825	SPACER, Pinion (.452in thk)
32	ROK2258-U-411	SPRING	46	ROK2203-X-9826	SPACER, Pinion (.453in thk)
33	ROK2244-K-1025	SHAFT	46	ROK2203-Y-9827	SPACER, Pinion (.454in thk)
34	RO- KA2-3261-Q-1057	ASSEMBLY, Shift (Screw-in)	46	ROK2203-Z-9828	SPACER, Pinion (.455in thk)
34	ROKA-3261-L-350	ASSEMBLY, Shift (Bolt Mtg.)	46	ROK2203-G-9835	SPACER, Pinion (.482in thk)
35	ROK10-X-1334	SCREW (Use w/ ROC A2-3261-Q-1057)	46	ROK2203-H-9836	SPACER, Pinion (.483in thk)
36	ROKMS-208045-1	SCREW	46	ROK2203-J-9838	SPACER, Pinion (.484in thk)
37	ROK1229-N-1626	WASHER	46	ROK2203-K-9839	SPACER, Pinion (.485in thk)
38	ROKNL-110-1	NUT	46	ROK2203-L-9840	SPACER, Pinion (.486in thk)
39	ROKS-21028-2	SCREW	47	MAK64AX104	CUP
39	ROK10-X-1594	SCREW	48	MAK31SP48	CONE
40	N/A	SET, Gear	49	ROK1229-G-4063	WASHER
41	MAK62AX438	CONE	50	ROK40-X-1145	NUT
42	MAK64AX242	CUP	51	ROK3266-C-1095	COVER
43	ROK2203-F-2788	SHIM(.003in thk)	52	ROK1229-K-1597	WASHER
			53	ROKMS-210020-1	SCREW

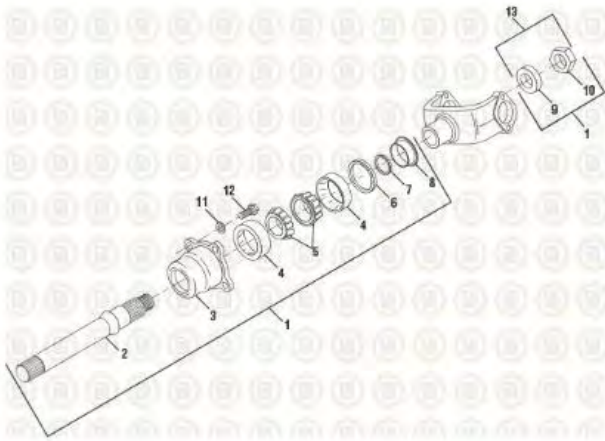
Continued



**ROCKWELL DIFFERENTIAL – RD,RP 20160, 23160,
23164, 25160, 26160 – FORWARD TANDEM AXLE**

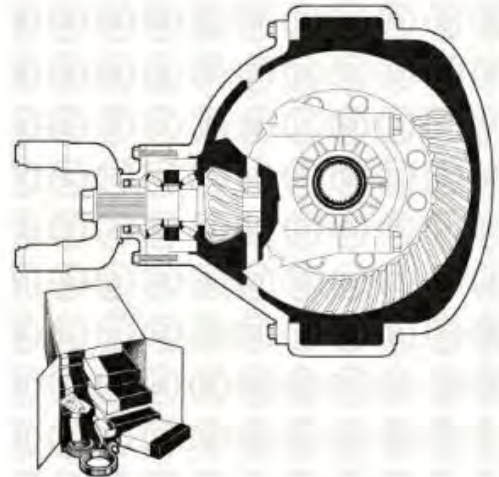
Continued

KEY	OEM REF.	DESCRIPTION	KEY	OEM REF.	DESCRIPTION
54	ROK2214-S-279	ADJUSTER (RH/LH) (1628, 1648)	65	ROK2234-C-1069	GEAR, Side
54	ROK2241-Z-1144	ADJUSTER (RH/LH) (1857) (ABS) (RH) (1858) (ABS)	66	ROK3278-W-335	SPIDER
54	ROK2214-B-1146	ADJUSTER (LH) (1858) (ABS)	67	ROK2233-M-1001	PINION, Spider Gear
54	ROK2214-J-1128	ADJUSTER (LH) (1820)	68	ROK1229-K-3001	WASHER, Thrust
54	ROK2214-G-1125	ADJUSTER (LH) (1820) (RH) (1894) (RH/LH) (Remaining Non-ABS Units)	69	ROK1229-N-1626	WASHER
55	ROKA1-1228-B-600	CUP/CONE (RH/LH) (1628, 1648)	70	MAK21AX785	NUT
55	MAK64AX182	CUP (LH) (All Other)	71	ROK3280-Z-8398	SHIELD
55	MAK64AX88	CUP (LH) (1703, 1818, 1837)	72	ROK5-X-1034	O-RING
56	ROKA1-1228-B-600	CUP/Cone (RH/LH) (1628, 1648)	73	ROKA-3303-P-1030	ASSEMBLY, Oil Pump
56	MAK62AX486	CONE (LH) (1703, 1818, 1837)	74	MAK8235-1229E1669	WASHER
56	MAK62AX308	CONE (LH) (All Other)	75	MAK64AX88	CUP (RH) (All Other)
57	ROK41-X-1275	SCREW	76	MAK62AX486	CONE (RH) (All Other)
58	ROK1229-N-1626	WASHER	77	ROKKIT2426	KIT, Bolt ,Gear Includes Screws (12)BSC-0331 Washers (12)ER00650 Nuts (12)FNU-0217
59	N/A	CASE Assembly (Incl: (12)Screws (12)Washers) Must Provide the Following Information for Correct Case Selection 1.Carrier Number 2.W/ or W/O Differential Lock 3.Ratio 4.With or Without Nest 5.With or Without No Spin Option 6.W/ or W/O ABS Components	78	ROKKIT2638	KIT, Hardware Includes Nut (1)ER22740 Washer (1)940050
60	ROK41X1276	SCREW	79	ROKKIT2248	KIT, IAD Nest Includes Spider (1)ER07770 Pinions (4)ER73960 Washers (4)ER31460
61	ROK42-X-1024	WASHER			
62	ROK41X1018	SCREW			
63	ROK19-X-1087	PIN (ABS Application Only)			
63	ROK1246-P-1134	PIN			
64	ROK1229-L-3002	WASHER, Thrust			



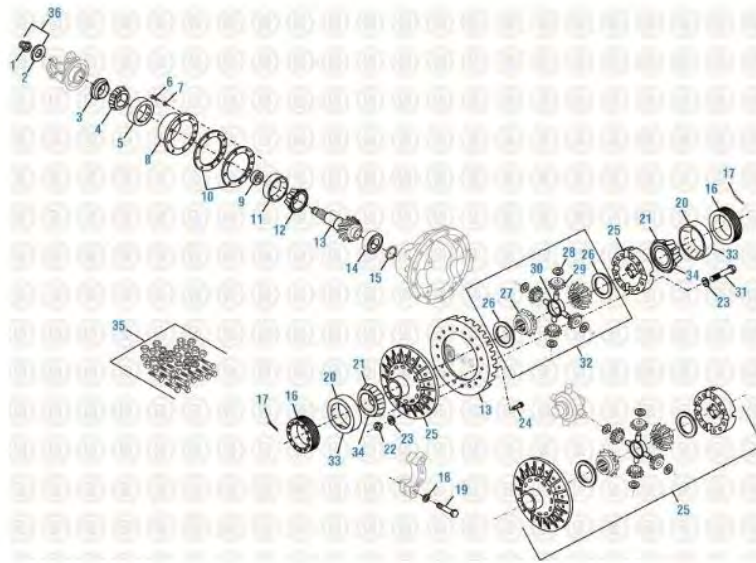
ROCKWELL DIFFERENTIAL – RD/RP 20160, 23160, 23164, 25160, 26160 – FORWARD TANDEM AXLE OUTPUT (THRU) SHAFT ASSEMBLY

KEY	OEM REF.	DESCRIPTION
1	ROKA2-3226-T-1112	ASSEMBLY, Output Shaft (Incl: Keys 2 thru 11)
2	ROK3297-V-1010	SHAFT
3	ROKA-3226-T-1112	CAGE & Cup Assembly (Incl: (2) Key 4)
4	MAK64AX294	CUP
5	MAK8235-LM104949	CONE
6	ROK1229-P-2590	SPACER, Retaining Ring (.155in thk)
6	ROK1229-R-2592	SPACER, Retaining Ring (.158in thk)
6	ROK1229-R-2592	SPACER, Retaining Ring (.161in thk)
6	ROK1229-S-2593	SPACER, Retaining Ring (.164in thk)
6	ROK1229-T-2594	SPACER, Retaining Ring (.167in thk)
6	ROK1229-U-2595	SPACER, Retaining Ring (.170in thk)
6	ROK1229-V-2596	SPACER, Retaining Ring (.173in thk)
6	ROK1229-W-2597	SPACER, Retaining Ring (.176in thk)
6	ROK1229-X-2598	SPACER, Retaining Ring (.179in thk)
6	ROK1229-Y-2599	SPACER, Retaining Ring (.182in thk)
7	ROK1229-W-4131	RING, Retaining
8	MAK8235-A1205P2590	SEAL
8	ROKA1-1205-Y-2729	SEAL (Service w/ Sleeve)
9	ROK1229-T-1736	WASHER
10	ROK40-X-1237	NUT
11	ROK1229-K-1597	WASHER
12	ROK15-X-387	SCREW
13	ROKKIT2637	KIT, Hardware Includes Nut (1)ER22610 Washer (1)ER00460



ROCKWELL DIFFERENTIAL – RS 21160/161, 23160/161, 24160/161, 25160/161, 26160/161, RR 20160, 23160, 23164, 25160, 26160 – SERVICE KITS

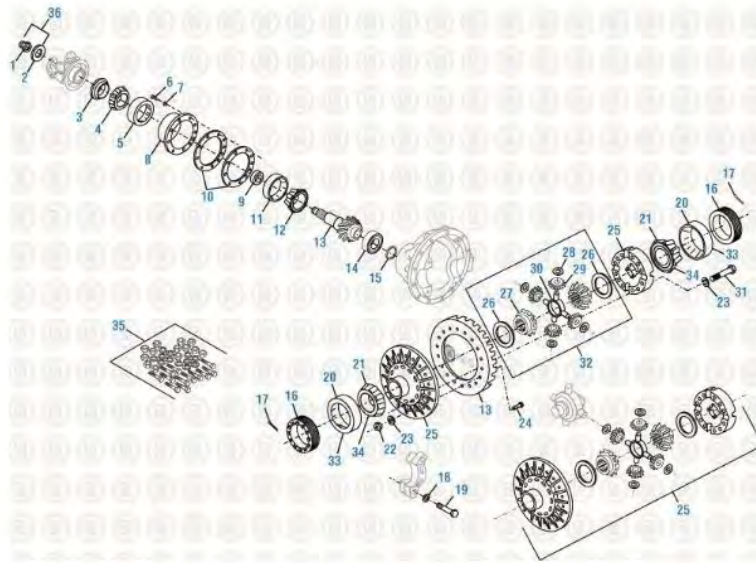
KEY	OEM REF.	DESCRIPTION
1	ROKKIT4415	KIT, Bearing & Seal (RR 23160(Early))
1	ROKKIT4426	KIT, Bearing & Seal (RR 23160 w/o Differential Lock) (Incl:(1)BBG-7552 (1)BBG-7253 (1)ER72990 (2)BCU-7353 (2)HBG-4817 (1)BCU-7252 (1)BCU-7622 (1)BBG-7623)
1	ROKKIT4428	KIT, Bearing & Seal (RR 23160 w/ Differential Lock) (Incl:(1)BBG-7552 (1)BBG-7253 (1)ER72990 (1)HBG-7371 (1)HCU-4801 (1)BCU-7353 (1)HBG-4817 (1)BCU-7252 (1)BCU-7622 (1)BBG-7623)



ROCKWELL DIFFERENTIAL – RS 21160/161, 23160/161, 24160/161, 25160/161, 26160/161, RR 20160, 23160, 23164, 25160, 26160 – SINGLE AXLE AND REAR TANDEM AXLE

KEY	OEM REFERENCE	DESCRIPTION	KEY	OEM REFERENCE	DESCRIPTION
1	ROK40-X-1233	NUT	14	ROK1228-B-1042	BEARING (1 pc. Upgraded Carrier Only) w/ New Retaining Ring 940065)
2	ROK1229-W-4521	WASHER	14	ROK1228-Y-1221	BEARING (1 pc.Upgraded Carrier Only)
3	MAC8235-A1205Q2591	SEAL	14	ROKA1-1228-P-1004	BEARING (2 pc. No Retaining Ring Design)
3	ROKA1-1205-A-2731	SEAL (Unitized)	15	ROK46-X-1029	RING ,Retaining (Use with 1228-Y-1221 & 1228-B-1042 (BBG-7552) Only)
4	NTNHM813843	CONE	16	ROK2214-X-279	RING, Adjusting (LH/RH) (Carrier 1151, 1560, 1658 & 1660)
5	NTNHM813810	CUP	16	ROK2214-G-1125	RING, Adjusting (RH) (Carrier 1708, 1712, 1823, 1825, 1892, 1897 & 1928)
6	ROKMS-212045-1	SCREW	16	ROK2214-J-1128	RING, Adjusting (RH) (Carrier 1708, 1712, 1823, 1825, 1892, 1897 & 1928)
7	NWA512	WASHER	16	ROK2214-B-1146	RING,Adjusting(LH) (Carrier 1854 (ABS))
8	ROKA-3226-R-1006	ASSEMBLY, Cage & Cup (Incl Cups)	16	ROK2214-Z-1144	RING, Adjusting (RH) (Carrie r1854 (ABS))
9	ROK2803-F-2502	SPACER (.252in thk)	16	ROK2214-Z-1144	RING, Adjusting (LH/RH) (Carrier 1856 (ABS))
9	ROK2803-G-2503	SPADER (.254in thk)	16	ROK2214-G-1125	RING, Adjusting (LH/RH) (Carrier 1706)
9	ROK2803-H-2504	SPACER (.256in thk)	17	ROK19-X-1087	PIN (ABS only)
9	ROK2803-J-2506	SPACER (.260in thk)	17	ROK1246-P-1134	PIN
9	ROK2803-L-2508	SPACER (.262in thk)	18	ROK42-X-1024	WASHER
9	ROK2803-D-2500	SPACER (.250in thk)	19	ROK41X1018	SCREW, Bearing Cap
9	ROK2803-E-2501	SPACER (.251in thk)	20	ROKA1-1228-B-600	CUP & Cone (LH/RH) (Carrier 1511, 1560, 1658 & 1660)
9	ROK2803-N-2510	SPACER (.253in thk)			
9	ROK2803-K-2507	SPACER (.261in thk)			
9	ROK2803-M-2509	SPACER (.263in thk)			
10	ROK2803-Y-2755	SHIM (.002in thk)			
10	ROK2803-Z-2756	SHIM (.005in thk)			
10	ROK2803-A-2757	SHIM (.008in thk)			
10	ROK2803-B-2758	SHIM (.020in thk)			
11	NTN9220	CUP			
12	NTN9278	CONE			
13	N/A	SET, Gear			

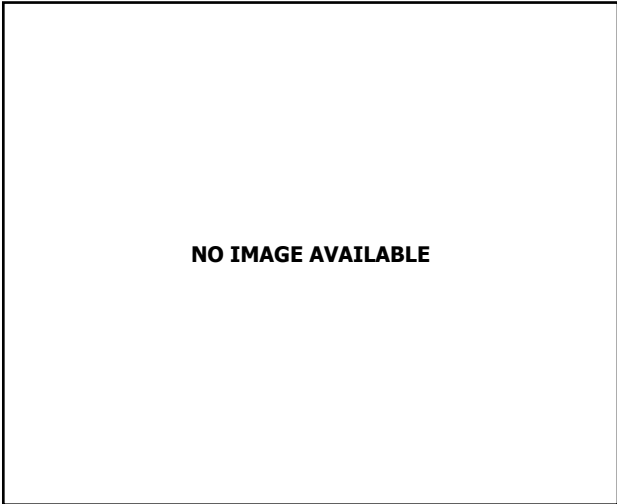
Continued



ROCKWELL DIFFERENTIAL – RS 21160/161, 23160/161, 24160/161, 25160/161, 26160/161, RR 20160, 23160, 23164, 25160, 26160 – SINGLE AXLE AND REAR TANDEM AXLE

Continued

KEY	OEM REFERENCE	DESCRIPTION	KEY	OEM REFERENCE	DESCRIPTION
20	MAK64AX182	CUP (RH) (Carrier 1708, 1712, 1823, 1825, 1892, 1897, 1928 & 1929)	32	ROKKIT2341	KIT, Nest (w/o Spider) (Incl: (2)ER31450 (2)ER77090 (4)ER73630 (4)ER31440)
20	MAK64AX88	CUP (LH) (Carrier 1708, 1712, 1823, 1825, 1892, 1897, 1928 & 1929)	32	ROKKIT2318	KIT, Nest (w/ Spider) (Incl: (2)ER31450 (2)ER77090 (4)ER73630 (4)ER31440 (1)ER07780)
21	ROKA1-1228-B-600	CUP & Cone (LH/RH) (Carrier 1511, 1560, 1658 & 1660)	33	MAK64AX88	CUP (LH/RH) (Carrier 1706)
21	MAK62AX486	CONE (LH) (Carrier 1708, 1712, 1823, 1825, 1892, 1897, 1928 & 1929)	34	MAK62AX486	CONE (LH/RH) (Carrier 1706)
21	MAK62AX308	CONE (RH) (Carrier 1708, 1712, 1823, 1825, 1892, 1897, 1928 & 1929)	35	ROKKIT2426	KIT, Bolt, Gear Includes Screws (12)GSC-0331 Washers (12)ER00650 Nuts (12)FNU-0217
22	MAK21AX785	NUT (12)	36	ROKKIT2638	KIT, Hardware Includes Nut (1)ER22740 Washer (1)940050
23	ROK1229-N-1626	WASHER (12)			
24	ROK41X1276	SCREW (12)			
25	N/A	CASE Assembly (Incl: (12)Screws (12)Washers) Must Provide the Following Information for Correct Case Selection 1.Carrier Number 2.W/ or W/O Differential Lock 3.Ratio 4.With or Without Nest 5.W/ or W/O No Spin Option 6.W/ or W/O ABS Components			
26	ROK1229-L-3002	WASHER, Thrust, Side Gear			
27	ROK2234-C-1069	GEAR, Side (46T Spline)			
27	ROK2234-D-1070	GEAR, Side (50T Spline)			
28	ROK1229-K-3001	WASHER, Thrust, Spider Pinion			
29	ROK2233-M-1001	PINION Gear			
30	ROK3278-W-335	SPIDER			
31	ROK41-X-1275	SCREW			

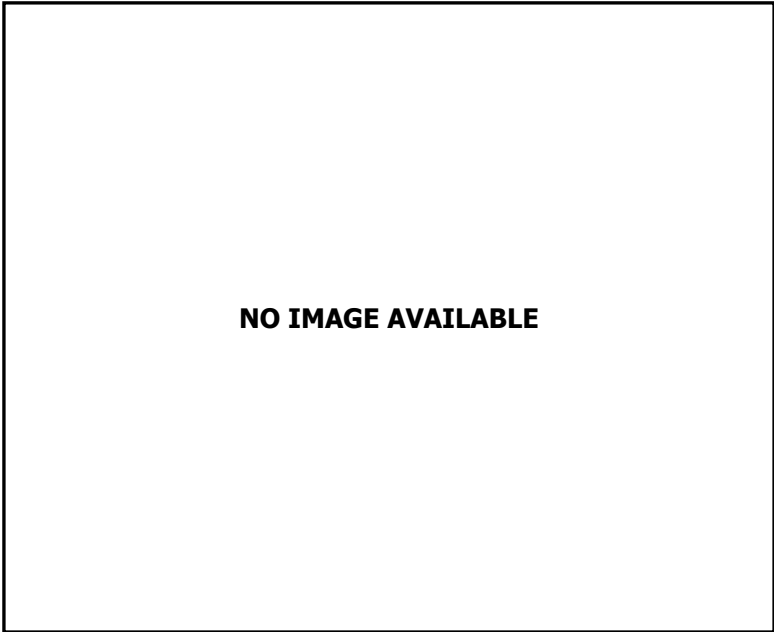


ROCKWELL DIFFERENTIAL – MISCELLANEOUS COMPONENTS – MISCELLANEOUS COMPONENTS

KEY	OEM REF.	DESCRIPTION
1	ROK1227-C-939	NUT, Input (T-223)
1	MAK21AX93	NUT
1	MAK21AX629	NUT
2	MAK21AX94	NUT, Input
2	MAK21AX95	NUT, Wheel
2	MAK21AX96	NUT, Wheel
2	MAK21AX91	NUT, Wheel
3	ROKKIT4110	KIT, Bearing and Seal (RS 170)
4	ROKS-259-1	SCREW
5	MAK8235-2297C2681	CLAMP
6	ROKA-1205-L-1598	SEAL
6	MAK8235-1199B2313	SEAL
7	MAK80AX641	BUSHING, Brake Cam
8	MAK8235-1229Z1170	RING, Retaining (Brake Cam)
9	MAK8235-KIT947	KIT, Bolt, Ring Gear (F-100/102/103) Includes Nuts (12)BNU-0261 Screws (12)BSC-0840 Washers (12)EWA-0064
10	ROK1229-L-1624	RING, Retaining (used in Bearing & Seal kit 940100)

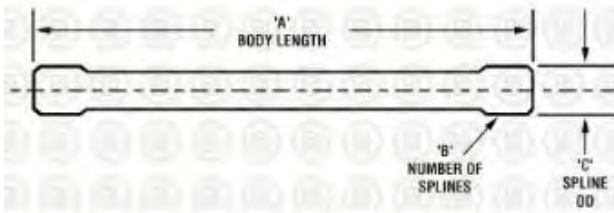
ROCKWELL DIFFERENTIAL – MISCELLANEOUS COMPONENTS – MISCELLANEOUS GEAR SETS

KEY	OEM REF.	DESCRIPTION
	ROKA-35710-3	
	ROKA-35540-5	
	ROKA-35538-10	
	ROKA-35636-6	
	ROKA-35536-6	
	ROKB-40356-4	
	ROKB-40358-2	
	ROKB-41014-3	
	ROKB-41008-3	
	ROKA-38774-3	



ROCKWELL DIFFERENTIAL – MISCELLANEOUS COMPONENTS – MISCELLANEOUS BEARING, CUPS AND CONES

KEY	OEM REF.	DESCRIPTION	KEY	OEM REF.	DESCRIPTION
1	MAK46AX38	BEARING,Ball	2	ROKKIT4435	KIT, Bearing & Seal (180 Series) (3200-U-1399 Carrier) Includes Seals (1)ER72990 Bearings (1)BBG-7435 (1)BCU-7453 (1)BBG-7253 (1)BCU-7252 (1)BCU-7258 (1)BBG-7259 (1)BBG-7254 (1)BCU-7256 (1)BBG-7257 Sealant (1)BSR-0385 Tube (1)BBM-0381
1	MAK64AX182	CUP	2	ROKKIT4437	KIT, Bearing & Seal (180 Series) (3200-W-1791 /A-1899/J-1804 Carriers) Includes Seals (1)ER72990 Bearings (1)BBG-7435 (1)GCU-7453 (1)BBG-7253 (1)BCU-7252 (1)BCU-7353 (1)HBG-4817 (1)BBG-7254 (1)BCU-7276 (1)BBG-7277 Sealant (1)BSR-0385 Tube (1)BBM-0381
1	MAK62AX316	CONE	2	ROKKIT4441	KIT, Bearing & Seal (180 Series) (3200-M-1833 Carrier) Includes Seals (1)BOS-7291 (1)ER85550 Bearings (1)BBG-7254 (2)BCU-7628 (2)806995 (1)BBG-7373P-TIM (1)HCU-4801P-TIM (1)BCU-7967 (1)BBG-7968 (1)806955 (2)806933(2)806994 (1)806934 (1)806996 (1)BCU-7622 (1)BBG-7643 Ring (1)ER28520 Tube (1)BBM-0381 Sealant (1)GSL-0383
1	MAK64AX185	CUP	3	ROKA-1228-Z-572	SET, Bearing (180 Series) (3200-M-1833 Carrier)
1	MAK49AX400	BEARING	4	ROK3892-W-4963	GEAR, IAD Side (180 Series)
1	MAK64AX89	CUP			
1	NTN9220	CUP (180 Series,Pinion)			
1	NTN9278	CONE (180 Series,Pinion)			
1	ROK1228-S-1267	BEARING, Spigot (180 Series)			
1	NTN64700	CUP (180 Series, Diff. R.H.)			
1	NTN64450	CONE (180 Series, Diff. R.H.)			
1	ROK1228-W-595	CUP (180 Series, Diff. L.H.)			
1	ROK1228-X-596	CONE (180 Series, Diff. L.H.)			
1	NTNJM822010	CUP (180 Series, Diff. R.H.)			
1	NTNJM822049	CONE (180 Series, Diff. R.H.)			
1	MAK64AX150	CUP			
1	MAK8235-1228L1130	CUP			
1	TIMJP10049	CONE			
1	MAK64AX88	CUP			
1	MAK8235-52387	CONE (Model RD 38180)			
1	MAK2719-12496	CONE			
1	MAK64AX132	CUP			
1	MAK8235-55206C	CONE			
1	MAK62AX421	CONE			
1	MAK62AX37	CONE			
1	MAK64AX35	CUP			
1	MAK8235-NP718759	CUP			
1	MAK8235-NP928171	CONE			

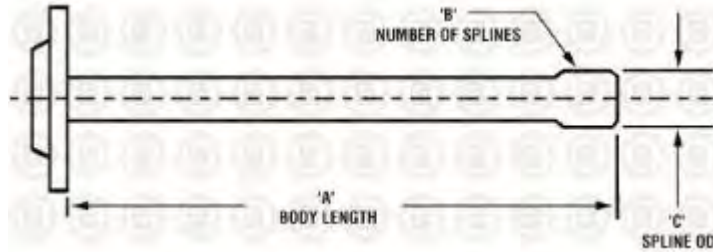


DRIVE AXLES – DRIVE AXLES

KEY	OEM REF.	DESCRIPTION
	MAK68KH356DP2	44,000 lb, Deep Spline CRDPC 92/CRD 93
	MAK68KH3219P2	44,000 lb, shallow Spline CRDPC 92/CRD 93
	MAK68KH356DP1	44,000 lb, Deep Spline CRDPC 92/CRD 93
	MAK68KH3219	44,000 lb, Shallow Spline CRDPC 92/CRD 93
	MAK68KH3217	50-58, 000lb CRDPC 112/CRD 113
	MAK68KH415	50-58, 000lb CRDPC 112/CRD 113
	MAK68KH415P2	50-58, 000lb CRDPC 112/CRD 113
	MAK68KH3231	CRDP 200/CRD 201
	MAK68KH415P3	46,000 CRDP 202 55,000 CRDP 203
	MAK68KH3231P2	CRDP 200/CRD 201
	MAK68KH3217P2	50-58, 000 lb CRDPC 112/CRD 113
	MAK68KH411	65,000 lb, Shallow Spline CRDP 95/CRD 96
	MAK68KH358P3	65,000 lb, Deep Spline CRDP 95/CRD 96
	MAK68KH3165AP4	CRD 118
	MAK68KH415P4	46,000 CRDP 202 55,000 CRDP 203
	MAK68KH358P4	65,000 lb Deep Spline CRDP 95/CRD 96
	MAK68KH411P2	65,000 lb, Shallow Spline CRDP 95/CRD 96

DRIVE AXLES – FLANGE AXLE GASKET

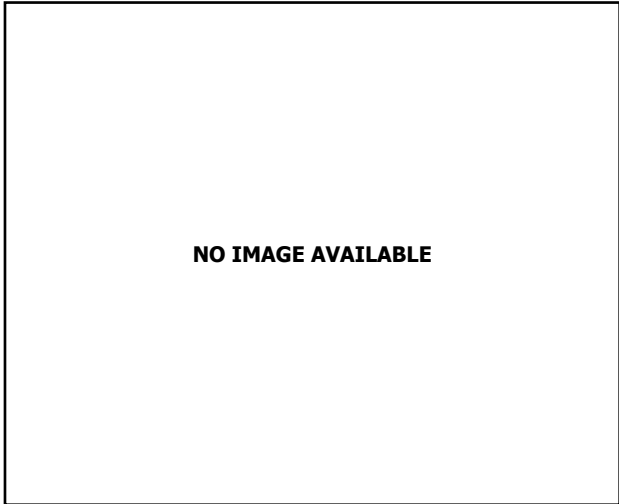
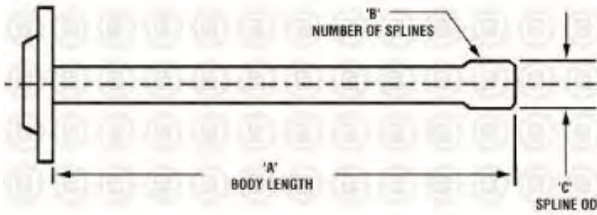
KEY	OEM REF.	DESCRIPTION
	MAK11CG198	GASKET, Flanged Axle
	ROK2208-X-440	GASKET, Flanged Axle



DRIVE AXLES – FLANGED AXLE

KEY	OEM REF.	DESCRIPTION	KEY	OEM REF.	DESCRIPTION
	MAK2719-45059	AXLE		MAK8235-3202L6564	AXLE
	MAK4333-455460C1	AXLE		MAK2719-38208	AXLE
	MAK4333-455462C1	AXLE		MAK2719-64130	AXLE
	MAK2719-110881	AXLE		MAK8235-3202R3268	AXLE
	MAK4333-571347C2	AXLE		MAK2719-62166	AXLE
	MAK4333-577549C1	AXLE		MAK8235-3202Q3423	AXLE
	NAV1699568C1	AXLE		MAK68KH3234P3	AXLE,DRIVE
	MAK8235-3202B4448	AXLE		MAK68KH3221	34,000 lb, Shallow Spline CRDPC 92/CRD 93
	MAK2719-81682	AXLE		MAK68KH3120AP2	34,000 lb, Deep Spline CRDPC 92/CRD 93
	MAK4333-455461C2	AXLE		MAK68KH3232P3	AXLE, DRIVE
	MAK4333-455463C2	AXLE		MAK68KH3226	44,000 lb CRDPC 92/CRD 93
	MAK4333-455464C2	AXLE		MAK68KH414	44,000 lb CRDPC 92/CRD 93
	MAK4103-5001831169	Midliner		MAK68KH49	CRDPC 92/CRD 93
	MAK2719-56980	AXLE		MAK68KH414P3	44,000lb CRDPC 92/CRD 93
	MAK8235-3202R8182	LONGER		MAK68KH3225P2	34,000 lb, Shallow Spline, CRD 92/CR D93
	MAK8235-3202X6472	LONGER		MAK68KH3234P4	AXLE, DRIVE
	MAK365SP65	AXLE		MAK68KH3203P2	34,000 lb,Shallow Spline CRDPC 92/CRD 93
	MAK2719-110882	AXLE		MAK68KH3120AP3	34,000 lb, Deep Spline CRDPC 92/CRD 93
	EAT128435	404/405/ 454		MAK68KH414P4	44,000 lb CRDPC 92/CRD 93
	DAN110890	AXLE, DRIVE		MAK68KH3232P4	AXLE
	MAK4333-571350C2	AXLE			
	MAK2719-110888	AXLE			
	DAN128516	AXLE, DRIVE, R/H			
	DAN128517	AXLE, DRIVE			
	EAT127437	AXLE, DRIVE			
	EAT127438	AXLE, DRIVE			

Continued



DRIVE AXLES – FLANGED AXLE

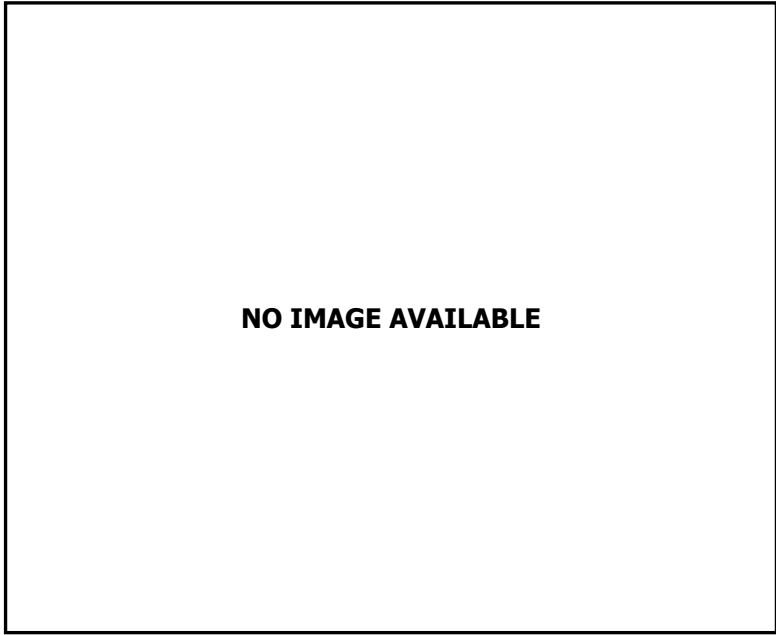
Continued

KEY	OEM REF.	DESCRIPTION
	MAK68KH3226P2	44,000 lb CRDPC 92/CRD 93
	MAK68KH49P2	CRDPC 92/CRD 93
	MAK68KH414P2	44,000 lb CRDPC 92/CRD 93
	MAK68KH3232	CRDP 202/CRD 203
	MAK68KH3232P2	CRDP 202/CRD 203
	MAK4333-571351C2	AXLE
	MAK68KH410	CRDP 200/CRD 201
	DAN110885	AXLE, DRIVE
	MAK64KH410P2	CRDP 200/CRD 201
	MAK68KH414P7	44,000lb CRD 150/CRD 151

ADDITIONAL COMPONENTS – SPACER AND SHIM CHART

KEY	OEM REF.	DESCRIPTION
	MAK55KH121P1	SHIM - .003in thk
	MAK55KH121P2	SHIM - .005in thk
	MAK52KH1112P255	SPACER - .255in thk
	MAK52KH1112P257	SPACER - .257in thk
	MAK52KH1112P258	SPACER - .258in thk
	MAK52KH1112P259	SPACER - .259in thk
	MAK52KH1112P260	SPACER - .260in thk
	MAK52KH1112P261	SPACER - .261in thk
	MAK52KH1112P262	SPACER - .262in thk
	MAK52KH1112P263	SPACER - .263in thk
	MAK52KH1112P265	SPACER - .265in thk
	MAK52KH1112P266	SPACER - .266in thk
	MAK52KH1112P267	SPACER - .267in thk
	MAK52KH1112P268	SPACER - .268in thk
	MAK52KH1112P270	SPACER - .270in thk
	MAK52KH1112P272	SPACER - .272in thk
	MAK52KH1112P274	SPACER - .274in thk
	MAK52KH1112P275	SPACER - .275in thk
	MAK52KH1112P276	SPACER - .276in thk
	MAK54KH1112P277	SPACER - .277in thk
	MAK52KH1112P278	SPACER - .278in thk
	MAK52KH1112P280	SPACER - .280in thk
	MAK52KH1112P281	SPACER - .281in thk
	MAK52KH1112P282	SPACER - .282in thk
	MAK52KH1112P283	SPACER - .283in thk
	MAK52KH1112P284	SPACER - .284in thk
	MAK52KH1112P285	SPACER - .285in thk
	MAK52KH1112P286	SPACER - .286in thk
	MAK52KH1112P287	SPACER - .287in thk
	MAK52KH1112P288	SPACER - .288in thk
	MAK52KH1112P289	SPACER - .289in thk
	MAK52KH1112P290	SPACER - .290in thk

Continued



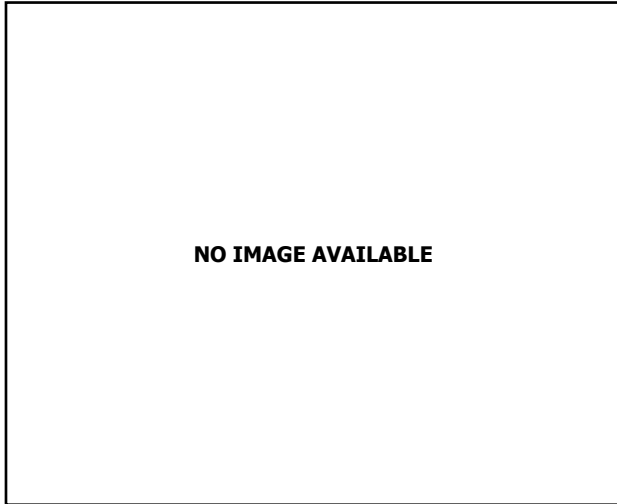
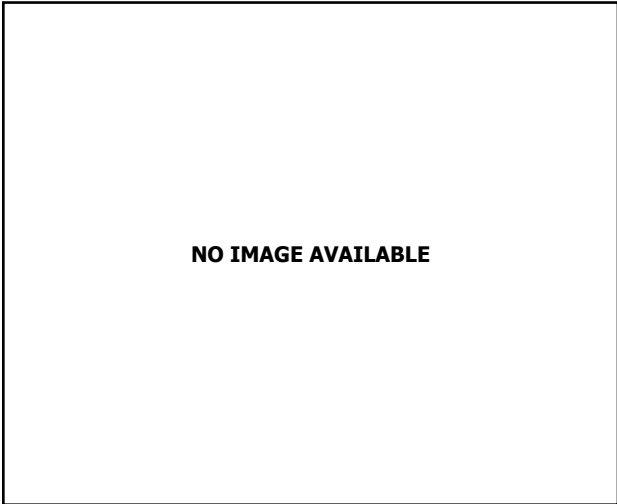
ADDITIONAL COMPONENTS – SPACER AND SHIM CHART

Continued

KEY	OEM REF.	DESCRIPTION
	MAK52KH1112P292	SPACER - .292in thk
	MAK52KH1112P293	SPACER - .293in thk
	MAK52KH1112P294	SPACER - .294in thk
	MAK52KH1112P295	SPACER - .295in thk
	MAK52KH1112P296	SPACER - .296in thk
	MAK52KH1112P297	SPACER - .297in thk
	MAK52KH1112P298	SPACER - .298in thk
	MAK52KH1112P299	SPACER - .299in thk
	MAK52KH1112P300	SPACER - .300in thk
	MAK52KH1112P301	SPACER - .301in thk
	MAK52KH1112P302	SPACER - .302in thk
	MAK52KH1112P303	SPACER - .303in thk
	MAK52KH1112P304	SPACER - .304in thk
	MAK52KH1112P305	SPACER - .305in thk
	MAK52KH1112P306	SPACER - .306in thk
	MAK52KH1112P307	SPACER - .307in thk
	MAK52KH1112P308	SPACER - .308in thk
	MAK52KH1112P309	SPACER - .309in thk
	MAK52KH1112P310	SPACER - .310in thk
	MAK52KH1112P311	SPACER - .311in thk
	MAK52KH1112P312	SPACER - .312in thk
	MAK52KH1112P313	SPACER - .313in thk
	MAK52KH1112P314	SPACER - .314in thk
	MAK52KH1112P315	SPACER - .315in thk
	MAK52KH1112P316	SPACER - .316in thk
	MAK52KH1112P317	SPACER - .317in thk
	MAK52KH1112P318	SPACER - .318in thk
	MAK52KH1112P319	SPACER - .319in thk
	MAK52KH1112P320	SPACER - .320in thk

KEY	OEM REF.	DESCRIPTION
	MAK52KH1112P321	SPACER - .321in thk
	MAK52KH1112P322	SPACER - .322in thk
	MAK52KH1112P323	SPACER - .323in thk
	MAK52KH1112P324	SPACER - .324in thk
	MAK52KH1112P325	SPACER - .325in thk
	MAK52KH1112P326	SPACER - .326in thk
	MAK52KH1112P328	SPACER - .328in thk
	MAK52KH1112P329	SPACER - .329in thk
	MAK52KH1112P330	SPACER - .330in thk
	MAK52KH1112P331	SPACER - .331in thk
	MAK52KH1112P333	SPACER - .333in thk
	MAK52KH1112P334	SPACER - .334in thk
	MAK52KH1112P335	SPACER - .335in thk
	MAK52KH1112P337	SPACER - .337in thk
	MAK52KH1112P338	SPACER - .338in thk
	MAK52KH1112P340	SPACER - .340in thk
	MAK52KH1112P341	SPACER - .341in thk
	MAK52KH1112P342	SPACER - .342in thk
	MAK52KH1112P343	SPACER - .343in thk
	MAK52KH1112P346	SPACER - .346in thk
	MAK52KH1112P348	SPACER - .348in thk
	MAK52KH1112P350	SPACER - .350in thk
	MAK52KH1112P351	SPACER - .351in thk
	MAK52KH1112P352	SPACER - .352in thk
	MAK52KH1112P355	SPACER - .355in thk
	MAK52KH1112P356	SPACER - .356in thk
	MAK32KH1112P358	SPACER - .358in thk
	MAK52KH1112P359	SPACER - .359in thk

Continued



ADDITIONAL COMPONENTS – SPACER AND SHIM CHART

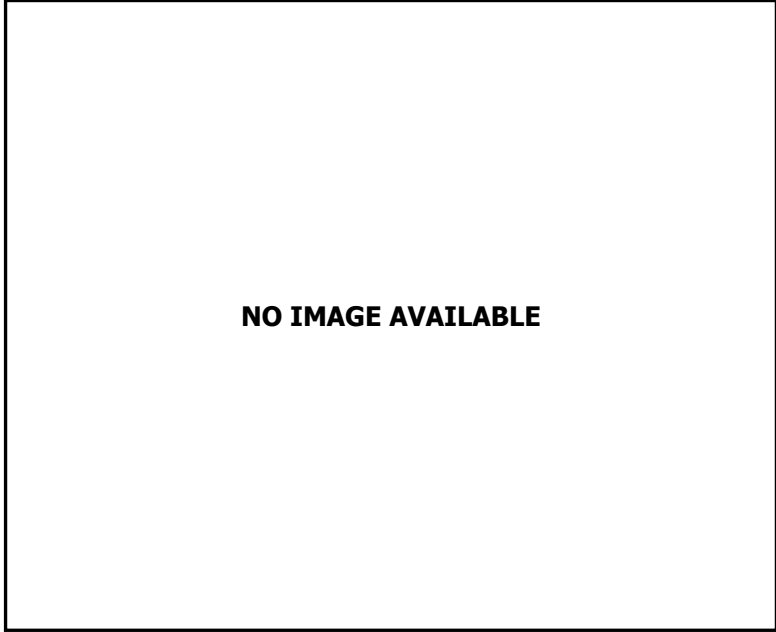
Continued

KEY	OEM REF.	DESCRIPTION
	MAK52KH1112P360	SPACER - .360in thk
	MAK52KH1112P361	SPACER - .361in thk
	MAK52KH1112P362	SPACER - .362in thk
	MAK52KH1112P363	SPACER - .363in thk
	MAK52KH1112P364	SPACER - .364in thk
	MAK52KH1112P365	SPACER - .365in thk
	MAK52KH1112P366	SPACER - .366in thk
	MAK52KH1112P367	SPACER - .367in thk
	MAK52KH1112P368	SPACER - .368in thk
	MAK52KH1112P370	SPACER - .370in thk
	MAK52KH1112P371	SPACER - .371in thk
	MAK52KH1112P372	SPACER - .372in thk
	MAK52KH1112P373	SPACER - .373in thk
	MAK52KH1112P375	SPACER - .375in thk
	MAK52KH1112P376	SPACER - .376in thk
	MAK52KH1112P377	SPACER - .377in thk
	MAK52KH1112P378	SPACER - .378in thk

ADDITIONAL COMPONENTS – SPACER AND SHIM CHART

KEY	OEM REF.	DESCRIPTION
	MAK55KH124	SHIM - .003in thk
	MAK55KH124P2	SHIM - .005in thk
	MAK55KH124P3	SHIM - .015in thk
	MAK55KH124P4	SHIM - .032in thk
	MAK52KH184P230	SPACER - .230in thk
	MAK52KH184P231	SPACER - .231in thk
	MAK52KH184P233	SPACER - .233in thk
	MAK52KH184P234	SPACER - .234in thk
	MAK52KH184P235	SPACER - .235in thk
	MAK52KH199P236	SPACER - .236in thk
	MAK52KH199P237	SPACER - .237in thk
	MAK52KH199P238	SPACER - .238in thk
	MAK52KH184P239	SPACER - .239in thk
	MAK52KH199P240	SPACER - .240in thk
	MAK52KH184P241	SPACER - .241in thk
	MAK52KH199P242	SPACER - .242in thk
	MAK52KH184P243	SPACER - .243in thk
	MAK52KH199P244	SPACER - .244in thk
	MAK52KH199P245	SPACER - .245in thk
	MAK52KH199P246	SPACER - .246in thk
	MAK52KH119P248	SPACER - .247in thk
	MAK52KH184P248	SPACER - .248in thk
	MAK52KH199P249	SPACER - .249in thk
	MAK52KH184P250	SPACER - .250in thk
	MAK52KH199P251	SPACER - .251in thk
	MAK52KH199P252	SPACER - .252in thk
	MAK52KH184P253	SPACER - .253in thk
	MAK52KH184P254	SPACER - .254in thk
	MAK52KH184P255	SPACER - .255in thk
	MAK52KH184P256	SPACER - .256in thk
	MAK52KH199P257	SPACER - .257in thk
	MAK52KH184P258	SPACER - .258in thk

Continued



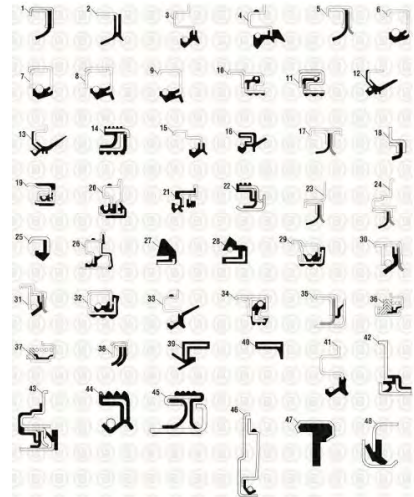
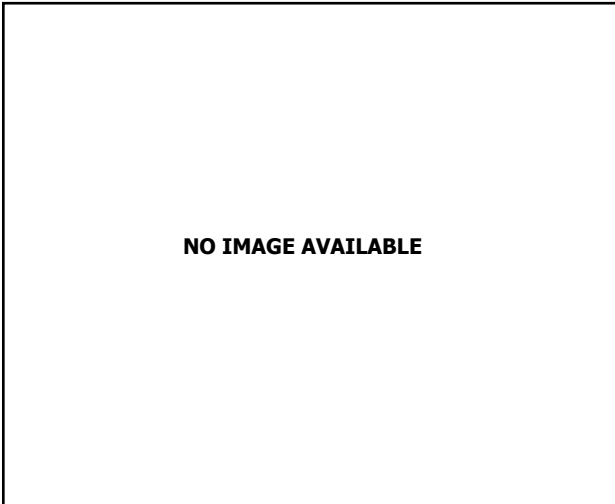
ADDITIONAL COMPONENTS – SPACER AND SHIM CHART

Continued

KEY	OEM REF.	DESCRIPTION
	MAK52KH199P259	SPACER - .259in thk
	MAK52KH184P260	SPACER - .260in thk
	MAK52KH199P261	SPACER - .261in thk
	MAK52KH184P262	SPACER - .262in thk
	MAK52KH184P263	SPACER - .263in thk
	MAK52KH184P264	SPACER - .264in thk
	MAK52KH199P265	SPACER - .265in thk
	MAK52KH184P266	SPACER - .266in thk
	MAK52KH199P267	SPACER - .267in thk
	MAK52KH184P268	SPACER - .268in thk
	MAK52KH184P269	SPACER - .269in thk
	MAK52KH199P270	SPACER - .270in thk
	MAK52KH199P271	SPACER - .271in thk
	MAK52KH199P272	SPACER - .272in thk
	MAK52KH199P273	SPACER - .273in thk
	MAK52KH199P274	SPACER - .274in thk
	MAK52KH199P275	SPACER - .275in thk
	MAK52KH199P276	SPACER - .276in thk
	MAK52KH199P277	SPACER - .277in thk
	MAK52KH199P278	SPACER - .278in thk
	MAK52KH199P279	SPACER - .279in thk
	MAK52KH199P280	SPACER - .280in thk
	MAK52KH199P281	SPACER - .281in thk
	MAK52KH199P282	SPACER - .282in thk
	MAK52KH184P283	SPACER - .283in thk
	MAK52KH199P284	SPACER - .284in thk
	MAK52KH199P285	SPACER - .285in thk
	MAK52KH199P286	SPACER - .286in thk
	MAK52KH199P287	SPACER - .287in thk

KEY	OEM REF.	DESCRIPTION
	MAK52KH199P288	SPACER - .288in thk
	MAK52KH199P289	SPACER - .289in thk
	MAK52KH199P290	SPACER - .290in thk
	MAK52KH199P291	SPACER - .291in thk
	MAK52KH199P292	SPACER - .292in thk
	MAK52KH199P293	SPACER - .293in thk
	MAK52KH199P294	SPACER - .294in thk
	MAK52KH199P295	SPACER - .295in thk
	MAK52KH199P296	SPACER - .296in thk
	MAK52KH199P297	SPACER - .297in thk
	MAK52KH199P298	SPACER - .298in thk
	MAK52KH199P299	SPACER - .299in thk
	MAK52KH199P300	SPACER - .300in thk
	MAK52KH199P301	SPACER - .301in thk
	MAK52KH199P302	SPACER - .302in thk
	MAK52KH199P303	SPACER - .303in thk
	MAK52KH199P304	SPACER - .304in thk
	MAK52KH199P305	SPACER - .305in thk
	MAK52KH199P306	SPACER - .306in thk
	MAK52KH199P308	SPACER - .308in thk
	MAK52KH199P310	SPACER - .310in thk
	MAK52KH199P311	SPACER - .311in thk
	MAK52KH199P312	SPACER - .312in thk
	MAK52KH199P314	SPACER - .314in thk
	MAK52KH199P315	SPACER - .315in thk
	MAK52KH199P316	SPACER - .316in thk
	MAK52KH199P318	SPACER - .318in thk
	MAK52KH199P320	SPACER - .320in thk

Continued



ADDITIONAL COMPONENTS – SPACER AND SHIM CHART

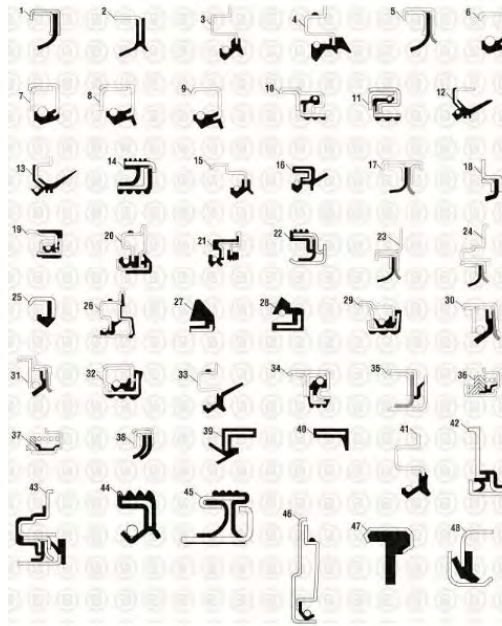
Continued

KEY	OEM REF.	DESCRIPTION
	MAK52KH199P322	SPACER - .322in thk
	MAK52KH199P324	SPACER - .324in thk
	MAK52KH199P325	SPACER - .325in thk
	MAK52KH199P326	SPACER - .326in thk
	MAK52KH199P330	SPACER - .330in thk
	MAK52KH199P331	SPACER - .331in thk
	MAK52KH199P332	SPACER - .332in thk
	MAK52KH199P334	SPACER - .334in thk
	MAK52KH199P335	SPACER - .335in thk
	MAK52KH199P336	SPACER - .336in thk
	MAK52KH199P340	SPACER - .340in thk

ADDITIONAL COMPONENTS - SEALS

KEY	OEM REF.	DESCRIPTION
	CUM212603	SEAL
	CUM70809	SEAL
	VOL8148471	SEAL
	CUM3023130	SEAL
	CUM3084713	SEAL
	DDC23512243	SEAL
	MAK8813-263585	SEAL
	DDC23539190	SEAL
	MAK447GC224A	SEAL
	DDC23522433	SEAL
	MAK447GC218	SEAL
	CUM3062676	SEAL
	MAK447GC145	SEAL
	CUM3803615	SEAL
	MAK88AX410P3	SEAL
	CAT1691750	SEAL
	MAK88AX370P3	SEAL
	MAK446CG310P5	SEAL
	MAK447GC234A	SEAL
	MAK374SK49	SEAL
	CUM3287561	SEAL
	MAK2132-1918047	SEAL
	MAK447GC210B	SEAL
	MAK88AX114	SEAL
	CAT1544482	SEAL
	CUM206948	SEAL
	VOL20579690	SEAL
	MAK8148-2351301	SEAL
	MAK88AX385P3	SEAL
	CUM3019600	SEAL
	DDC23528190	SEAL
	CAT3362212	SEAL

Continued

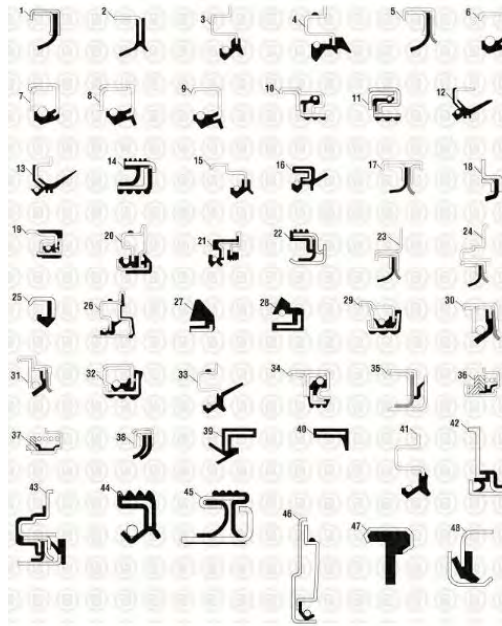


ADDITIONAL COMPONENTS - SEALS

Continued

KEY	OEM REF.	DESCRIPTION	KEY	OEM REF.	DESCRIPTION
	CUM3634007	SEAL		FUL16020	SEAL
	MAK88AX423P3	SEAL		MAK446GC310P3	SEAL
	MAK88AX349P3	SEAL		MAK88AX338P3	SEAL
	FUL20762	SEAL		CUM3020188	SEAL
	MAK88AX311P4	SEAL		VOL1546480	SEAL
	MAK8148-2350541	SEAL		CUM3078292	SEAL
	MAK8148-2350961	SEAL		MAK88AX413P3	SEAL
	CUM3065830	SEAL		CUM106276	SEAL
	MAK10QK3116M	SEAL		DDC5116224	SEAL
	MAK364SZ174	SEAL		CUM200307	SEAL
	MAK88AX428	SEAL		HDK58910-001	SEAL
	CUM3038997	SEAL		FUL19110	SEAL
	CUM3067259	SEAL		FUL4300121	SEAL
	CUM3067259	SEAL		CUM3078292	SEAL
	MAK88AX350P3	SEAL		FUL16976	SEAL
	CUM3038998	SEAL		CAT5S2106	SEAL
	CUM3003353	SEAL		MAK88AX353P2	SEAL
	CUM3074482	SEAL		MAK530AM2	SEAL
	MAK7929-SE43	SEAL		MAK88AX386P2	SEAL
	CAT8C3100	SEAL		MAK88AX401P2	SEAL
	DDC23523995	SEAL		CUM3628895	SEAL
	BEN298720	SEAL		MAK88AX414P3	SEAL
	MAK88AX339P3	SEAL		CUM3016789	SEAL
	CAT1531256	SEAL		CUM3020185	SEAL
	NAV615175C91	SEAL		CUM3004316	SEAL
	MAK447GC217A	SEAL		MAK88AX357P2	SEAL
	MAK8235-A1205V1556	SEAL		CUM3020187	SEAL
	MAK88AX337P3	SEAL		FUL16977	SEAL

Continued

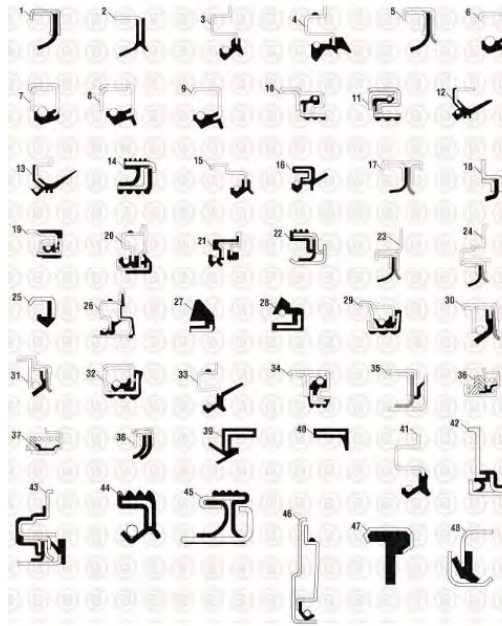


ADDITIONAL COMPONENTS - SEALS

Continued

KEY	OEM REF.	DESCRIPTION	KEY	OEM REF.	DESCRIPTION
	EAT935830	SEAL		DDC5115454	SEAL
	CUM3085867	SEAL		NAT370150A	SEAL
	CUM186780	SEAL		ROKA-1205-L-714	SEAL
	MAK447GC216A	SEAL		EAT210737	SEAL
	FTLA0249972848	SEAL		MAK2719-127719	SEAL
	CUM3937111	SEAL		MAK2719-119432	SEAL
	FUL4300203	SEAL		MAK2719-210724	SEAL
	NAV323562C91	SEAL		NAV1651281C91	SEAL
	MAK88AX359P2	SEAL		MAK2719-127591	SEAL
	NAV1691144C2	SEAL		ROKA-1205-Y-1897	SEAL
	ROKA-1205-G-2425	SEAL		NAV1691143C2	SEAL
	MAK2719-127720	SEAL		NAV1691145C2	SEAL
	CUM3922598	SEAL		MAK88AX355P2	SEAL
	MAK2719-127592	SEAL		ROKA-1805-F-162	SEAL
	CAT9Y9895	SEAL		CUM3353977	SEAL
	MAK2719-127721	SEAL		MAK8235-A1205P2590	SEAL
	MAK2719-119427	SEAL		NAV1691146C91	SEAL
	MAK88AX13P3	SEAL		ROKA-1205-W-1895	SEAL
	MAK88AX456	SEAL		NAV1691147C2	SEAL
	MAK88AX464	SEAL		NAV1691145C2	SEAL
	MAK88AX457	SEAL		MAK88AX355P2	SEAL
	MAK88AX354P2	SEAL		ROKA-1805-F-162	SEAL
	CUM3684360	SEAL		MAK2719-127591	SEAL
	CUM4890832	SEAL		ROKA-1205-Y-1897	SEAL
	FUL235655	SEAL		ROKA1-1205-Z-2730	SEAL
	MAK88AX319P2	SEAL		EAT113866	SEAL
	ROKA-1205-P-1914	SEAL			
	DDC23514608	SEAL			
	EAT210737	SEAL			

Continued

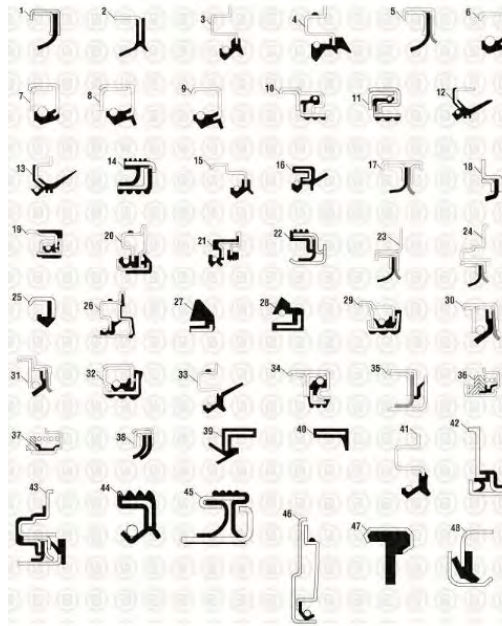


ADDITIONAL COMPONENTS - SEALS

Continued

KEY	OEM REF.	DESCRIPTION	KEY	OEM REF.	DESCRIPTION
	MAK4333-1651281C91	SEAL		MAK88AX391P2	SEAL
	CHI30140	SEAL		DDCA0169970646	SEAL
	NAV2503294C1	SEAL		CAT119-2921	SEAL
	NAV1827177C1	SEAL		NAT370012A	SEAL
	CUM3010457	SEAL		MAK88AX463	SEAL
	MAK88AX361P2	SEAL		CUM3006736	SEAL
	FUL4302322	SEAL		CUM3020183	SEAL
	MAK8235-A1205R2592	SEAL		MAK32QJ224	SEAL
	MAK446GC31	SEAL		CAT169-4166	SEAL
	MAK446GC310P2	SEAL		CAT126-0110	SEAL
	MAK88AX367P2	SEAL		FUL19109	SEAL
	MAK446GC181	SEAL		FUL20807	SEAL
	MAK88AX248BP2	SEAL		CUM3010459	SEAL
	MAK5823-370018A	SEAL		ROKKIT5389	SEAL
	MAK8235-A1205Q2591	SEAL		NAT370024A	SEAL
	ROKA1-1205-A-2731	SEAL		MAK88AX392P2	SEAL
	MAK88AX303P2	SEAL		MAK32QJ225	SEAL
	EAT210736	SEAL		CHI39988	SEAL
	MAK2719-119430	SEAL		NAT370165A	SEAL
	CUM4962745	SEAL		MAK88AX439	SEAL
	CUM3020182	SEAL		NAT370023A	SEAL
	MAK88AX440P4	SEAL		DDC5116229	SEAL
	MAK1458-34889	SEAL		MAK5823-370008A	SEAL
	MAK88AX458	SEAL		MAK5823-370009A	SEAL
	HDK30334-000	SEAL		MAK5823-370036A	SEAL
	MAK32QJ19301	SEAL		DDC5196852	SEAL
	MAK32QJ19301	SEAL		MAK32QJ235	SEAL
				MAK5823-370065A	SEAL

Continued



ADDITIONAL COMPONENTS - SEALS

Continued

KEY	OEM REF.	DESCRIPTION	KEY	OEM REF.	DESCRIPTION
	MAK5823-370065A	SEAL		MAK5823-370051A	SEAL
	MAK1204-380065A	SEAL		MAK7843-3090973	SEAL
	MAK5823-376590A	SEAL		DDC5197860	SEAL
	MAK88AX418	SEAL		MAK88AX432	SEAL
	CHI42672	SEAL		MAK5823-370005A	SEAL
	MAK88AX466	SEAL		MAK5823-370005A	SEAL
	MAK88AX466	SEAL		MAK32QJ19353	SEAL
	MAK88AX418	SEAL		MAK32QJ19353	SEAL
	NAT370030A	SEAL		MAK1458-47697	SEAL
	CUM3016792	SEAL		MAK32QJ19353	SEAL
	MAK88AX449	SEAL		NAT370006A	SEAL
	MAK88AX425	SEAL		MAK88AX374	SEAL
	MAK88AX469	SEAL		CUM5259499	SEAL
	MAK88AX469	SEAL		CAT115-4120	SEAL
	MAK88AX427	SEAL		NAV180847C1	SEAL
	NAV1822836C1	SEAL		NAT370064A	SEAL
	MAK32QJ245	SEAL		MAK88AX378	SEAL
	MAK88AX421	SEAL		MAK88AX441P3	SEAL
	MAK88AX467	SEAL		CAT222-3909	SEAL
	MAK88AX21P3	SEAL		CUM4890833	SEAL
	NAT370021A	SEAL		MAK88AX253	SEAL
	HDKS-27267-HN	SEAL		DDC23518355	SEAL
	NAT380025A	SEAL		DDC23513578	SEAL
	DDC5114335	SEAL		DDC23519651	SEAL
	MAK8235-1199B2313	SEAL		MAK88AX437P2	SEAL
	MAK5823-370025BG2	SEAL		CUM3925530	SEAL
	MAK5823-370025BG2	SEAL		MAK88AX424	SEAL
	MAK5823-370025BG2	SEAL		MAK88AX424	SEAL

Continued



ADDITIONAL COMPONENTS - SEALS

Continued

KEY	OEM REF.	DESCRIPTION
	MAK88AX424	SEAL
	MAK88AX403	SEAL
	DDC23516969	SEAL
	DDC5194462	SEAL
	MAK21347087	SEAL
	MAK32QJ251	SEAL
	CUM3685173	SEAL
	NAT370063A	SEAL
	NAV1817865C91	SEAL
	MAK8148259	SEAL
	CUM3870890	SEAL
	MAK446GC310P10	SEAL
	MAK446GC238B	SEAL
	MAK446GC235A	SEAL
	CUM3006737	SEAL
	CUM3005886	SEAL
	MAK446GC259	SEAL
	TIS65128U	SEAL
	CAT142-5868	SEAL
	CAT142-5867	SEAL
	NAV1841938C1	SEAL
	CAT100-5421	SEAL
	CAT7C4297	SEAL
	CAT4W0452	SEAL
	MAK88AX460	SEAL
	MAK88AX387P3	SEAL
	CUM4089542	SEAL
	MAK20441481	SEAL
	MAK1543896	SEAL
	CUM3016793	SEAL