



AUGUST 2015



**REPLACEMENT**  
Electronic Fuel Injectors  
& Components For:

**Detroit Diesel® – Series 60**  
**Cummins® Celect® – N14 & M11**  
**Caterpillar® – HEUI & EUI**  
**Navistar® – HEUI**



**CATERPILLAR EUI COMPONENTS**

<b>Item</b>	<b>Description</b>	<b>Item</b>	<b>Description</b>
8991000	SEAL - SOLENOID	M-2245797	GASKET SET - C10 C12
8991004	INSTALLATION KIT	M-9X7317	Seal O-Ring
8991005	Seal Ring	M-1198784	Seal O-Ring
8991000	Seal - Solenoid	M-2153198	Seal O-Ring
8991006	Capscrew	M-2274239ORK	O-RING KIT - 3406E
8991007	Capscrew	M-1662904	Seal O-Ring
8991008	Capscrew	M-9X7430	Seal O-Ring
8991021	SPRING - FOLLOWER	M-2303728	SEAL - O-RING
MCB06800-32	P&B ASSY	M-2303775	SEAL - O-RING
M-1006165	SPRING - VALVE	MCB23250-32	OIL CONTROL ASSY
M-1063385	GASKET SET - 3500 EUI	MCB23952-31	CONTROL VALVE
M-9X7735	External O-Ring	M-2421539	O-RING KIT - 3126
M-1949584	O-Ring Seal	M-1093207	Seal O-Ring
M-1080219ORK	SEAL KIT	M-1333715	Seal O-Ring
M-0618561	Seal O-Ring	M-1482903	Seal O-Ring
M-6V5266	Seal O-Ring	M-1495240	Seal O-Ring
M-1079570	Seal O-Ring	M-1504105	Seal O-Ring
M-2N7174	Gasket	M-2373800	Seal O-Ring
MCB11957-32	CHECK VALVE	M-2454907	SEAL - O-RING
MCB13701-32	HYDRAULIC PLATE	M-2454908	SEAL - O-RING
MCB13702-32	HYDRAULIC PLATE	M-2481394	O-RING KIT EXTERNAL
MCB13703-32	SPOOL VENT PLATE	M-2303728	Seal O-Ring
MCB13711-32	HYDRAULIC PLATE	M-2303775	Seal O-Ring
MCB13712-32	HYDRAULIC PLATE	M-9X7317	Seal O-Ring
M-1895390	GASKETSET-SINGLE FUELINJ.	MCB41926-32	NOZZLE ASSY 10R4761
M-2303775	Seal O-Ring	MCB41956-32	NOZZLE ASSY 10R4762
M-2303728	Seal O-Ring	MCB41976-32	NOZZLE ASSY 10R4763
M-9X7317	Seal O-Ring Fuel Inj 3400	M-6V9897	GASKET SET
M-2037767	GASKET SET - 34003	M-6V1250	Seal O-Ring
M-3E6747	Seal O-Ring	M-1949584	Seal O-Ring
M-9X7681	Seal O-Ring	MCB15017-31	NUT - NOZZLE
M-2235850	GASKET SET - 3176B	MCB41916-31	NOZZLE
M-9X7317	Seal O-Ring	MCB41918-31	NOZZLE GROUP
M-9X7722	Seal O-Ring	MCB41926-31 & -32	NOZZLE
M-2153198	Seal O-Ring	MCB41936-31 & -32	NOZZLE
		MCB41946-31	NOZZLE
		MCB41976-31 & -32	NOZZLE

Note: Indented Items are included in kit or set above

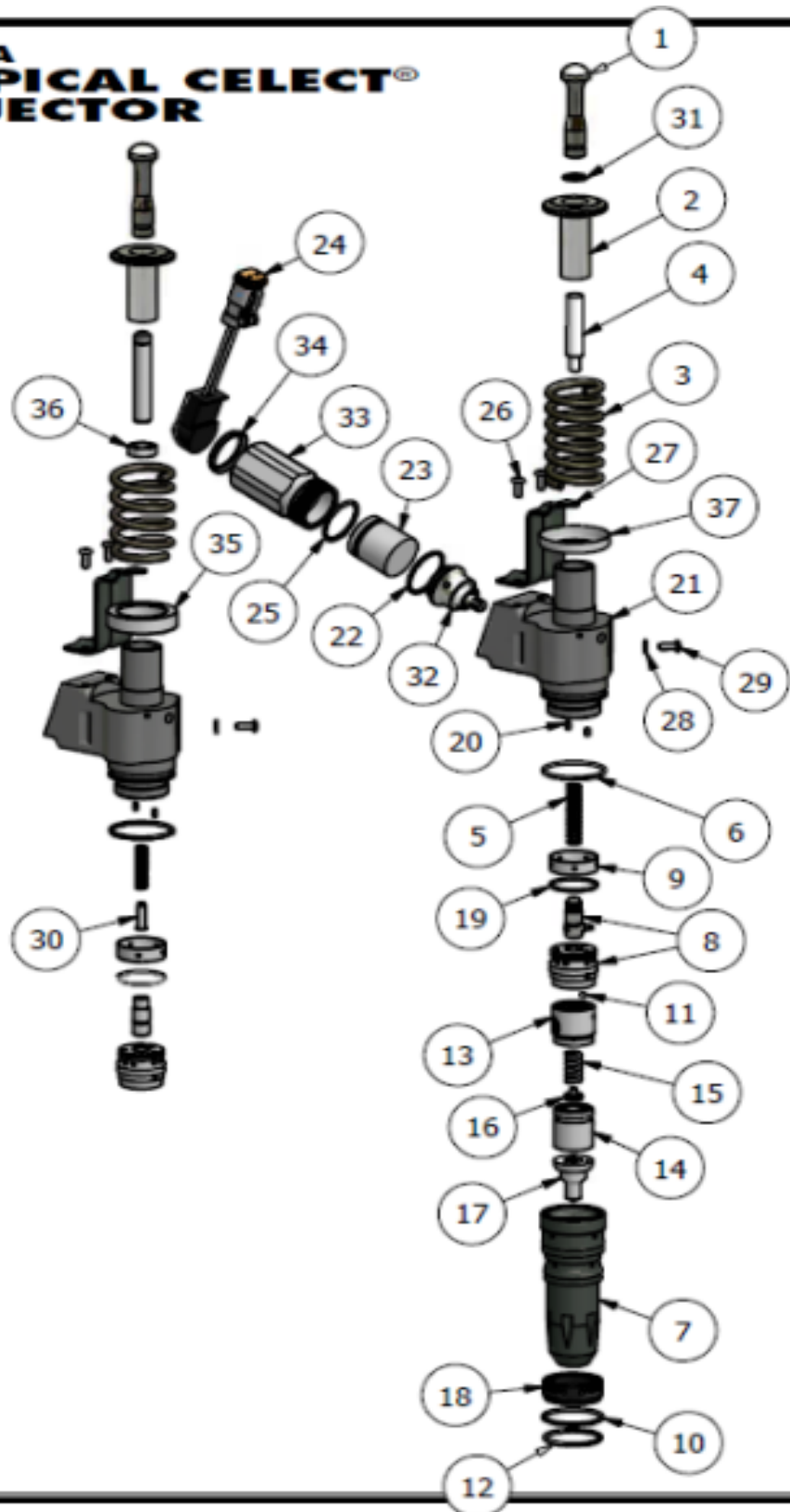
**CATERPILLAR**

Item Number	Description	Core Code
R-0R4893	REMAN INJECTOR, 3406E	C-3406ETYPE3
R-0R4987	REMAN INJECTOR, C10/C12	C-1012E
R-0R4988	REMAN INJECTOR, C10/C12	C-1012F
R-0R8773	REMAN INJECTOR, C10/C12	C-1012C
R-0R8774	REMAN INJECTOR, C10/C12	C-1012C
R-0R8775	REMAN INJECTOR, C10/C12	C-1012C
R-0R8776	REMAN INJECTOR, C10/C12	C-1012C
R-0R9348	REMAN INJECTOR, 3126B	C-3126BTYP1
R-0R9349	REMAN INJECTOR, 3126B	C-3126BTYP2
R-0R9350	REMAN INJECTOR, 3126B	C-3126BTYP2
R-0R9888	REMAN INJECTOR, C10/C12	C-1012C
R-10R0725	REMAN INJECTOR, C10/C12	C-1012A
R-10R0781	REMAN INJECTOR, 3126B	C-3126BTYP2
R-10R0782	REMAN INJECTOR, 3126B	C-3126BTYP2
R-10R0956	REMAN INJECTOR, 3406E	C-3406ETYPE1
R-10R0957	REMAN INJECTOR, 3406E	C-3406ETYPE2
R-10R0958	REMAN INJECTOR, 3406E	C-3406ETYPE2
R-10R0959	REMAN INJECTOR, 3406E	C-3406ETYPE3
R-10R0961	REMAN INJECTOR, C10/C12	C-1012B
R-10R0963	REMAN INJECTOR, C10/C12	C-1012C
R-10R0966	REMAN INJECTOR, C10/3176C	C-1012D
R-10R0967	REMAN INJECTOR, C10/C12	C-1012E
R-10R0968	REMAN INJECTOR, C12	C-1012F
R-10R1262	REMAN INJECTOR, 3126B	C-3126B1
R-10R2780	REMAN INJECTOR, 3406E	C-3406ETYPE3
R-10R2781	REMAN INJECTOR, 3406E	C-3406ETYPE2
R-10R4761	REMAN INJECTOR, C7	C-C7
R-10R4762	REMAN INJECTOR, C7	C-C7
R-10R4763	REMAN INJECTOR, C7	C-C7
R-10R8501	REMAN INJECTOR, 3406E	C-3406ETYPE2
R-10R8502	REMAN INJECTOR, 3406E	C-3406ETYPE3



Note: Indented Items are included in kit or set above

**FIG. A**  
**TYPICAL CELECT®**  
**INJECTOR**



**CUMMINS INJECTOR**

FIG. A	ITEM	DESCRIPTION	NOTE
1	M-3078226	INJECTOR PLUNGER LINK	91N14 & UP
1	M-3072485	INJECTOR PLUNGER LINK	91N14
2	M-3083863	PLUNGER COUPLING	91N14 & UP
2	M-3081342	PLUNGER COUPLING	91N14
3	M-3411340	PLUNGER COUPLING SPRING	91N14 & UP
3	7991021	PLUNGER COUPLING SPRING	91N14
4	M-3087552	UPPER PLUNGER - MALE	91N14 & UP
4	7991022	UPPER PLUNGER - FEMALE	91N14
5	M-3081388	UPPER PLUNGER SPING - MALE	91N14 & UP
5	M-3081371	UPPER PLUNGER SPING - FEMALE	91N14
6	M-3070136	O-RING SEAL TOP	Red
10	M-3070137	O-RING SEAL MIDDLE	White
12	M-3070138	O-RING SEAL BOTTOM	Blue
7	M-3073244	CUP RETAINER	
7	M-3070184	CUP RETAINER	For R-3652541
8	M-3411711	PLUNGER AND BARREL - MALE	91N14 & UP
8	7991093	PLUNGER AND BARREL - FEMALE	91N14
9	M-3070113	INJECTOR SLEEVE	
11	M-3076068	BALL CHECK	
13	M-3072823	SPRING HOUSING SPACER ASSY	
	M-3072819	-Spring Housing Spacer	
	M-3072822	-Socket Set Screw	
	M-3072820	-Spring	
	M-3072821	-Spring Guide	
14	M-3066736	VALVE SPRING HOUSING	
15	M-3066738	VALVE SPRING	
16	M-3067426	VALVE SPRING RETAINER	
16	M-3067426+1	VALVE SPRING RETAINER	Oversize .003"
16	M-3067426-1	VALVE SPRING RETAINER	Undersize .003"
17	<b>SPRAY TIP - SEE CHART ON NEXT PAGE</b>		
18	M-3071967	FILTER SCREEN	
19	M-3068959	BARREL O-RING	
20	7991016	GROOVE PIN (2 per)	91N14 & UP
21	7991019	INJECTOR BODY	91N14
21	7991025	INJECTOR BODY	
22	M-3034408	CONTROL VALVE O-RING	
23	M-3811021	SOLENOID	
24	M-3076256	WIRING HARNESS	
25	M-3075658	SOLENOID O-RING	
26	M-3075613	SOCKET HEAD CAP SCREW (2 per)	
27	M-3080766	COUPLING RETAINER	
28	M-3080421	SEALING WASHER	
29	M-3075613	SOCKET HEAD CAP SCREW	
30	7991066	PLUNGER SPRING GUIDE	
31	M-3072486	LINK RETAINER	
26	M-3075613	SOCKET HEAD CAP SCREW (2 per)	
27	M-3080766	COUPLING RETAINER	
28	M-3080421	SEALING WASHER	
29	M-3075613	SOCKET HEAD CAP SCREW	
30	7991066	PLUNGER SPRING GUIDE	
31	M-3072486	LINK RETAINER	
32	M-3034407	CONTROL VALVE ASSEMBLY	
33	Not Available	SOLENOID NUT	
34	7991091	RETAINING RING	
35	M-3080767	SPACER	91N14
36	7991026	PLUNGER SPACER	91N14
37	M-3411775	SPRING RETAINER	

Note: Indented Items are included in kit or set above

### CELECT SPRAY TIPS

DRAWING NUMBER	INJECTOR PART NUMBER	SPRAY TIP PART NUMBER	TYPE	DRAWING NUMBER	INJECTOR PART NUMBER	SPRAY TIP PART NUMBER	TYPE
17	3087557	M-3084592	M11	17	3411762	M-3409978	N14
17	3087560	M-3609861	N14	17	3411763	M-3087791	N14
17	3411752	M-3084592	M11	17	3411764	M-3088175	N14
17	3411753	M-3095043	M11	17	3411765	M-3411690	N14
17	3411754	M-3095729	M11	17	3411766	M-3411694	N14
17	3411755	M-3095734	M11	17	3411767	M-3411388	N14
17	3411756	M-3609925	M11	17	3652516	M-3076072	L10
17	3411758	M-3411404	M11	17	3652540	M-3079963	L10
17	3411759	M-3609861	N14	17	3652541	M-3076071	N14
17	3411760	M-3609855	N14	17	3652542	M-3076071	N14
17	3411761	M-3609852	N14				

### CUMMINS INJECTOR KITS

ITEM	CONTAINS REFERENCE NUMBER IN FIG. A
MCBN14INJ	6, 10, 12
MCB26124	6, 10, 12, 18
MCB26104	6, 10, 12, 19, 22, 26, 28, 29
MCB26129	5, 6, 10, 12, 11, 15, 18, 19, 22, 25, 26, 28, 29
MCB306000 1	5, 6, 10, 12, 11, 15, 16, 18, 19, 22, 24, 25, 26, 28, 29

### CUMMINS EUI COMPONENTS

Item	Description	Item	Description
7991093	BARREL & PLUNGER ASSY. FEMALE	M-129888	Seal - Square Cut Shutdown Valve
7991137	SEAL - O-RING SOLENOID	M-139988	Seal
M-3034407	VALVE - CONTROL	M-146483	Screen
M-3072820	GUIDE SPRING	M-151900	Seal O-Ring
M-3074219	RETAINER	M-160514	Washer - Fuel Pump Damper
M-3075658	SEAL - O-RING - CELECT	M-213079	Ring - Seal
M-3076072	SPRAY TIP	M-202897	Diaphragm
M-3078236	SPRING - INJECTOR CELECT	M-4026171	Gasket - Fuel Pump
M-3079963	SPRAY TIP - CELECT	M-3824010	CONNECTOR - ELECTRICAL
M-3080702	SCREW	M-3991167	SOLENOID - FUEL PUMP
M-3083872	SCREW - INJECTOR	M-4009692	SCREEN - FILTER ISX
M-3084592	SPRAY TIP	M-4025062	INJECTOR KIT - ISX
M-3087316	SCREEN, FILTER	M-3347937	Seal O-Ring
M-3095043	SPRAY TIP	M-3347939	Seal O-Ring Injector
M-3095729	SPRAY TIP	M-3330537	Seal O-Ring
M-3095734	SPRAY TIP	M-3330538	Seal O-Ring
M-3411404	SPRAY TIP	M-4025063	KIT SEAL
M-3412890	CONNECTOR - ELECTRICAL	M-3348515	Pin - Spiral
M-3609925	SPRAY TIP	M-4025062	Kit - Injector O-Ring ISX(see above)
M-3803477	CELECT SEAL KIT - FRONT DRIVE SHAFT	4025063SEAL	Seal
M-3803478	CELECT FUEL PUMP OVERHAUL SEAL KIT	M-4025063-OH	INJECTOR KIT - ISX
M-3021123	Seal O-Ring	4025063SEAL	Seal
M-3034412	Seal O-Ring	M-3348515	Pin - Spiral
M-3037537	Seal O-Ring Turbo Oil Inlt	M-4025062	Kit - Injector O-Ring ISX(see above)
M-3056415	Seal O-Ring	M-3087316	Screen, Filter
M-3080837	Gasket - Front Cover Fuel Pump	M-4009692	Screen, Filter ISX
M-3803477	Kit - Seal - Fr Drive Shaft	M-4061854	TIP SPRAY
M-100099	Seal O-Ring	M-4902924	SPRAY TIP
M-110855	Gasket	M-4902928	SPRAY TIP

Note: Indented Items are included in kit or set above

**CUMMINS EUI COMPONENTS, continued ...**

<b>Item</b>	<b>Description</b>	<b>Item</b>	<b>Description</b>
M-4916741	SEAL - O-RING - SMALL DIA.	M-3076068	Ball -check - CELECT
M-4916742	SEAL - O-RING - LARGE DIA.	M-3080811	Screw - Socket Head Cap
M-4928174	SPRAY TIP	M-3068959	Seal - O-Ring
MCB26104	CELECT INJECTOR REPAIR KIT N14	M-3066738	Spring - CELECT
M-3070136	Seal - O-Ring Injector Top	M-3081388	Spring - Injector
M-3070137	Seal - O-Ring Injector Middle	M-3081371	Spring
M-3070138	Seal - O-Ring Injector Bottom	MCB26129G	KIT REPAIR - CELECT INJECTOR
M-3075613	Screw	Same as MCB6129 <i>PLUS:</i>	
M-3080421	Washer	M-3067426	Retainer - Injector Celect
M-3068959	Seal - O-Ring	7991137	Seal O-Ring Solenoid Celect
M-3034408	Seal - O-Ring	MCB3060001	CELECT INJECTOR REPAIR KIT
MCB26105	CELECT INJECTOR REPAIR KIT L10/M11	M-3075658	Seal - O-Ring CELECT
M-3075658	Seal - O-Ring CELECT	M-3081371	Spring
M-3070136	Seal - O-Ring Injector Top	M-3067426	Retainer - Injector
M-3070137	Seal - O-Ring Injector Middle	M-3081388	Spring - Injector
M-3070138	Seal - O-Ring Injector Bottom	M-3066738	Spring - CELECT
M-3075613	Screw	M-3076256	Harness - Wiring
M-3080421	Washer	M-3070136	Seal - O-Ring Injector Top
M-3068959	Seal - O-Ring	M-3070137	Seal - O-Ring Injector Middle
M-3034408	Seal - O-Ring	M-3070138	Seal - O-Ring Injector Bottom
MCB26124	CELECT INSTALLATION SEAL KIT	M-3080421	Washer
M-3070136	Seal - O-Ring Injector Top	M-3075613	Screw
M-3070137	Seal - O-Ring Injector Middle	M-3068959	Seal - O-Ring
M-3070138	Seal - O-Ring Injector Bottom	M-3034408	Seal - O-Ring
M-3071967	Screen - Filter CELECT Inj	M-3071967	Screen - Filter Celect Injector
MCB26125	KIT - INJECTOR	7991137	Seal O-Ring Solenoid Celect
M-3070136	Seal O-Ring Injector TOP	M-3076068	Ball - Check - CELECT
M-3070137	Seal O-Ring Injector MID	MCBISXINJ	superceded by M-4025062 above
M-3070138	Seal O-Ring Injector BTM	MCBISXINJ-1	KIT SEAL - INECTOR
M-3071967	Screen - Filter Celect Injector	M-4025062	Kit - Injector O-Ring ISX(see above)
M-3075658	Seal O-Ring Celect	M-3087316	Screen, Filter
M-3034408	Seal O-Ring Celect	M-4009692	Screen, Filter ISX
M-3068959	Seal O-Ring	MCBISXINJ-2	KIT - INJECTOR O-RING
MCB26129	CELECT INJECTOR REPAIR KIT	M-3347939	Seal O-Ring Injector
M-3075613	Screw	M-2872717	Seal Injector
M-3080421	Washer	MCBM11INJ	KIT - INJECTOR O-RING
M-3075658	Seal - O-Ring CELECT	M-3070136	Seal O-Ring Injector TOP
M-3034408	Seal - O-Ring	M-3070137	Seal O-Ring Injector MID
M-3070136	Seal - O-Ring Injector Top	M-3070138	Seal O-Ring Injector BTM
M-3070137	Seal - O-Ring Injector Middle	MCBN14INJ	KIT - INJECTOR O-RING
M-3070138	Seal - O-Ring Injector Bottom	M-3070136	Seal O-Ring Injector TOP
M-3071967	Screen - Filter CELECT Inj	M-3070137	Seal O-Ring Injector MID
		M-3070138	Seal O-Ring Injector BTM

Note: Indented Items are included in kit or set above



CUMMINS

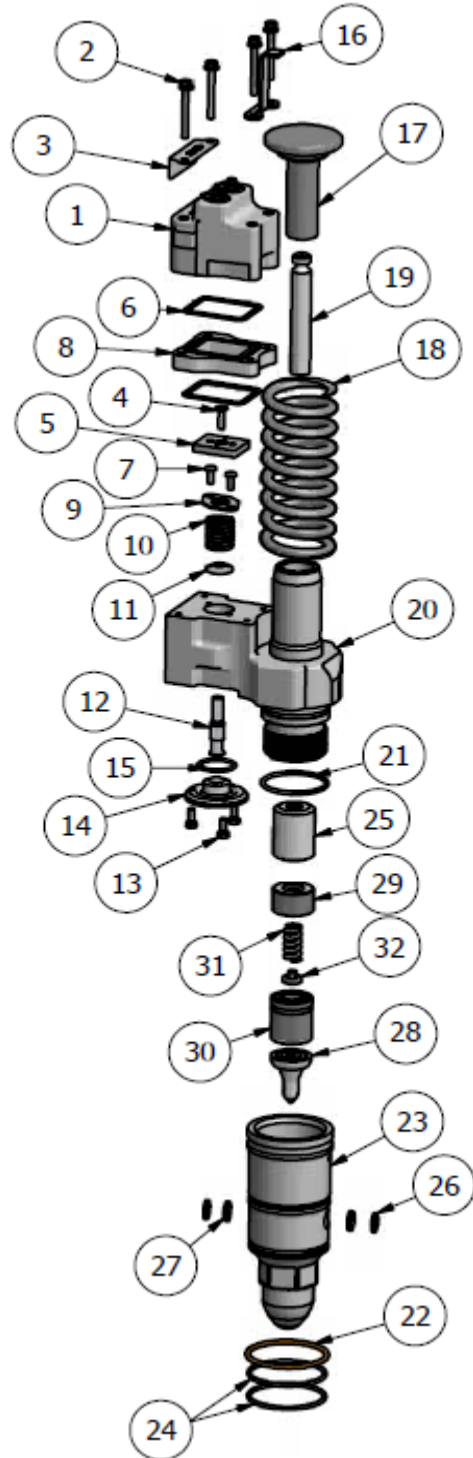
Item Number	Description	Core Code
R-3081319	INJ CELECT L10 PHASE II	C-CELECT4
R-3087557	INJ REMAN M11 CELECT	C-CELECT2
R-3087560	INJ REMAN N14 CELECT	C-CELECT3
R-3087560	INJ CELECT 94N14 NE1	C-CELECT3
R-3411753	INJ REMAN M11 CELECT	C-CELECT2
R-3411754	INJ CELECT 95M11 EURO2	C-CELECT2
R-3411756	INJ REMAN M11 CELECT	C-CELECT2
R-3411758	INJ REMAN M11 CELECT	C-CELECT2
R-3411760	INJ REMAN N14 CELECT	C-CELECT3
R-3411761	INJ REMAN N14 CELECT	C-CELECT3
R-3411762	INJ CELECT 95 N14	C-CELECT3
R-3411763	INJ REMAN N14 CELECT	C-CELECT3
R-3411764	INJ REMAN N14 CELECT	C-CELECT3
R-3411765	INJ CELECT 98 NE1	C-CELECT3
R-3411766	INJ REMAN N14 CELECT	C-CELECT3
R-3411767	INJ REMAN N14 CELECT	C-CELECT3
R-3652516	INJ CELECT L10 PHASE I	C-CELECT5
R-3652540	INJ CELECT L10 PHASE II	C-CELECT4
R-3652541	INJ CELECT N14 PHASE I	C-CELECT6
R-3652542	INJ REMAN N14 CELECT	C-CELECT1
R-4026222	INJ CELECT 99M11 DEFENDER	C-CELECT2
R-4061851	INJ CELECT EURO III M11	C-CELECT2



Note: Indented Items are included in kit or set above

### DETROIT DIESEL SERIES 60 INJECTOR

DRAWING NUMBER	PART NUMBER	DESCRIPTION
1	4991685	SOLENOID (WITHOUT GROOVE)
2	A-5235586	SCREW, SOLENOID ASSY (4 REQ PER INJECTOR)
3	4991452	LOAD PLATE
4	4991454	FLAT HEAD SCREW
5	4991453	<b>ARMATURE - CALL WITH SIZES</b>
6	A-5234224	SPACER SEAL, SOLENOID
7	4991455	PAN HEAD SCREW
8	4991456	<b>SPACER SOLENOID - CALL WITH SIZES</b>
9	4991457	RETAINER, SPRING
10	4991458	SPRING, CONTROL VALVE
11	4991469	SEAT, CONTROL VALVE SPRING
12	4991459	CONTROL VALVE - CALL WITH SIZES
13	4991470	HEX HEAD SCREW
14	4991460	<b>VALVE STOP - CALL WITH SIZES</b>
15	4991539	O-RING, INTERNAL
16	4991450	RETAINER, FOLLOWER (OLD STYLE)
16	4991598	RETAINER, FOLLOWER (NEW STYLE)
17	4991444	FOLLOWER
18	4991597	SPRING, FOLLOWER (NEW STYLE)
19	4991446	PLUNGER
20	4991471	BODY ASSEMBLY
21	A-5234701	O-RING, INTERNAL
22	A-5234702	O-RING, EXTERNAL
23	4991636	NUT ASSEMBLY (FILTERS INSTALLED)
24	A-5234699	O-RING, EXTERNAL
25	4991462	SPACER
26	4991448	FILTER RETAINER (2 REQ PER INJECTOR)
27	4991449	FILTER RETAINER (2 REQ PER INJECTOR)
28		<b>SPRAY TIP - SEE CHART ON NEXT PAGE</b>
29	4991463	CHECK VALVE CAGE
30	4991465	VALVE SPRING CAGE
31	4991464	VALVE SPRING
32	4991466	VALVE SPRING SEAT



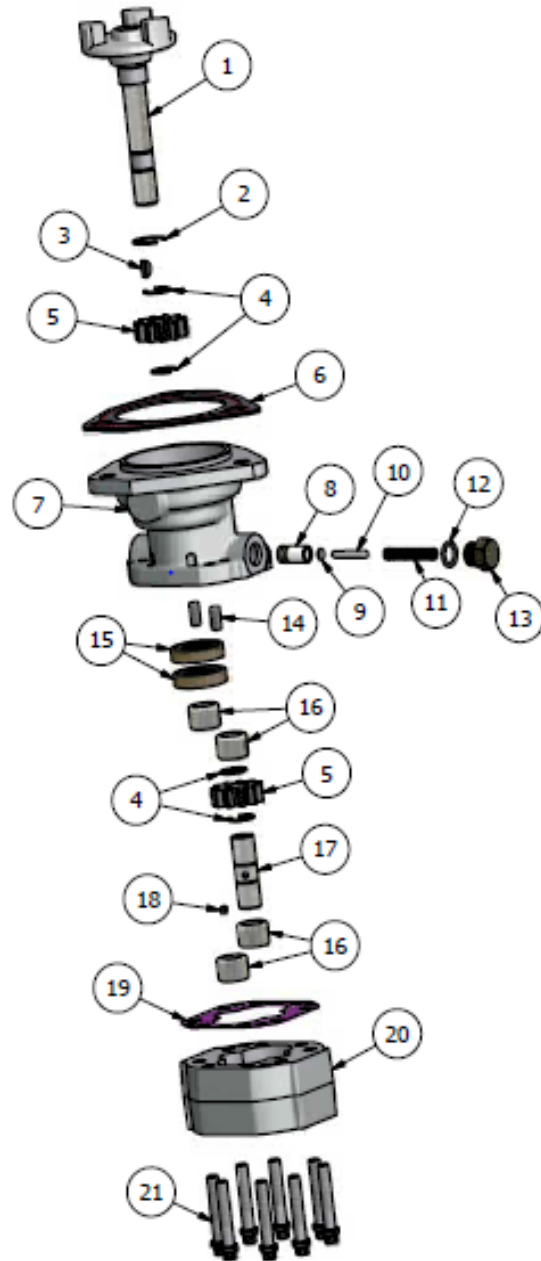
**DETROIT DIESEL SPRAY TIPS**

DRAWING NUMBER	INJECTOR PART NUMBER	SPRAY TIP PART NUMBER	NUMBER OF HOLES
28	R-5234785	4991753-C2A	9
28	R-5234795	4991754-D5	9
28	R-5234865	4991753-C1A	9
28	R-5234870	4991753-C2	9
28	R-5234935	4991753-C1	9
28	R-5234940	4991753-C3	9
28	R-5234945	4991754-D4	9
28	R-5234970	4991754-D3	9
28	R-5235550	4991752-B3	8
28	R-5235575	4991752-B5	8
28	R-5235580	4991751-A1	8
28	R-5235600	4991754-D2	9
28	R-5235605	4991753-C1	9
28	R-5235695	4991754-D3	9
28	R-5235915	4991752-B6	8
28	R-5236347	4991752-B4	8
28	R-5236977	4991752-B3	8

DRAWING NUMBER	INJECTOR PART NUMBER	SPRAY TIP PART NUMBER	NUMBER OF HOLES
28	R-5236978	4991751-A1	8
28	R-5236980	4991752-B4	8
28	R-5236981	4991752-B1	8
28	R-5237014	4991754-D2	9
28	R-5237042	4991751-A2	8
28	R-5237045	4991752-B4	8
28	R-5237099	4991752-B2	8
28	R-5237315	4991748-E3	9
28	R-5237320	4991754-D2	9
28	R-5237466	4991752-B5	8
28	R-5237473	4991748-E5	9
28	R-5237635	4991753-C2	9
28	R-5237650	4991754-D1	9
28	R-5237787	4991753-C1	9
28	R-5237820	4991753-C1A	9
28	R-5237821	4991753-C1A	9

### DETROIT DIESEL FUEL PUMP COMPONENTS

ITEM	DESCRIPTION		
A-23532981	PUMP-FUEL NEW S60 LATE STYLE		
R-23517845	PUMP-FUEL REMAN S60 LATE STYLE		
DRAWING NO.	ITEM	DESCRIPTION	QUANTITY REQUIRED
1	A-23532977	SHAFT & HUB ASSEMBLY	1
2	Not Available	RETAINER RING (LARGE)	1
3	4992018	KEY	1
4	A-8923522	SNAP RING	4
5	A-23506546	GEAR	2
6	A-23505248	GASKET, BODY	1
7	4991793	BODY, PUMP	1
8	A-8923528	VALVE, RELIEF	1
9	A-23506560	SPACER	1
10	A-23506564	PIN	1
11	A-23506557	SPRING, RELIEF VALVE	1
12	A-23506556	SEAL	1
13	A-23506555	CAP, RELIEF VALVE	1
14	A-23500694	ALIGNMENT PIN	2
15	A-23512243	OIL SEAL	2
16	A-8923526	NEEDLE BEARING	4
17	A-23506549	SHAFT, DRIVEN	1
18	A-8923521	PIN-GEAR	1
19	A-23516117	GASKET, COVER	1
20	4991794	COVER, PUMP	1
21	A-23506551	SCREW W/LOCK WASHER	8



R-23537686 was superseded by R-23517845

Note: An improved fuel pump replaced the former fuel pump, effective with July 1995 engine production. The improved and former pumps are similar, except that the improved pump has a one-piece drive shaft and hub assembly. The former pump has a separate drive shaft and drive hub. Former and improved pump assemblies are completely interchangeable. However, components of former and improved pump assemblies are not interchangeable.

The current fuel pump system consists of the following components:

- Barnes positive displacement type fuel pump with one-piece drive shaft and hub assembly
- Gear train mounting adaptor

**DETROIT EUI COMPONENTS**

Item	Description	Item	Description
4991444	FOLLOWER	A-23537111	KIT - EXTERNAL INJECTOR SEAL S
4991446	PLUNGER,S60	A-5234702	O-Ring - Injector External
4991448	RETAINER FILTER	4991720	O-Ring - Injector
4991449	FILTER - INJECTOR	4991721	O-Ring - Injector
4991450	RETAINER FOLLOWER	4991722	Washer, Injector
4991452	PLATE - LOAD	A-8929393	Bolt
4991454	SCREW - FLAT HEAD	A-23535699	Washer - Injector Hold Down Clamp
4991455	SCREW - PAN HEAD	A-23537123	KIT - EXTERNAL INJECTOR SEAL
4991457	RETAINER,SPRING,S60	4992288	Seal Ring Injector
4991458	SPRING - CONTROL VALVE	4992289	Seal Ring Injector
4991462	SPACER - INJECTOR S60	A-23535778	Washer - Injector Hold Down Clamp
4991463	CAGE - CHECK VALVE S60	A-8929393	Bolt
4991464	SPRING VALVE INJECTOR S60	A-5230001	INJECTOR REPAIR KIT
4991465	CAGE VALVE SPRING S60	4991464	Spring - Valve Injector S60
4991469	SEAT - CONTROL VALVE SPRING EU	A-5234224	Spacer - Seal Solenoid
4991470	SCREW - HEX HEAD S60	A-5234699	O-Ring - Injector External
4991539	O-RING - INJECTOR S60	A-5234701	O-Ring - Injector Internal
4991597	SPRING FOLLOWER S60(NEW STYL	A-5234702	O-Ring - Injector External
4991598	RETAINER FOLLOWER S60	4991455	Screw - Pan Head
4991636	NUT ASSEMBLY - INJ S50/60	4991458	Spring - Control Valve
4991722	WASHER,INJECTOR,S60,N3(GRAY)	4991539	O-Ring - Injector S60
A-23511870	GASKET - LOWER AUX INJ SEAL	4991466	Seat - Valve Spring S60
A-23513605	HARNESS - INJECTOR CONTROL	A-5235586	Screw - Solenoid Assembly (4 required)
A-23517845RK	S60 FUEL PUMP REPAIR KIT	4991470	Screw - Hex Head S60
A-8923526	Bearing - Fuel Pump S60	4991454	Screw - Flat Head
A-8923521	Pin - Gear Drive S60	A-23511870	Gasket - Lower Aux Inj Seal
A-8923522	Ring - Gear Retaining S60	A-5104701	Seal - O-Ring Injector Tube
A-23516117	Gasket - Fuel Pump	A-5230001-25	KIT - INJECTOR REPAIR S60 BULK
A-23516118	Gasket - Fuel Pump	Same as A-5230001 Kit above	
4991612	Gasket - Fuel Pump - Red	A-5234224	SPACER - SEAL SOLENOID
4991613	Gasket - Fuel Pump - Green	A-5234359	ELEMENT - INJECTOR FILTER DDEC
A-23505249	Coupling - Shock	A-5234368	O-RING - INJECTOR
A-23512243	Seal - Fuel Pump Oil	A-5234691	O-RING
A-23505248	Gasket - Fuel Pump	A-5234699	O-RING - INJECTOR EXTERNAL
A-23506557	Spring - Relief Valve Fuel Pump	A-5234699K	INJECTOR O-RING KIT
A-23517845RK-S	REPAIR KIT, FUEL PUMP S60 W/SHAFT	4991539	O-Ring - Injector
Same as A-23517845RK PLUS:		A-5234224	Spacer - Seal Solenoid
A-23532977	Shaft & Hub Assy	A-5234699	O-Ring - Injector External
A-23517845RK-SG	REPAIR KIT, FUEL PUMP S60 W/SHAFT & GEARS	A-5234702	O-Ring - Injector External
Same as A-23517845RK-S PLUS:		A-23511870	Gasket - Lower Aux Inj Seal
4991816	Gear - Fuel Pump Drive	A-5104701	Seal - O-Ring Injector Tube
A-23528939	FOLLOWER, SPRING, RETAINER KIT	A-5234701	O-RING - INJECTOR INTERNAL
4991597	Spring - Follower S60 (New Style)	A-5234702	O-RING - INJECTOR EXTERNAL
4991598	Retainer - Follower S60 (New Style)	A-5235586	SCREW - SOLENOID ASSEMBLY S60
A-5235586	Screw - Solenoid Assembly S60	MCB26209	INTERNAL SEAL KIT
A-23528939B	FOLLOWER SPRING & RETAINER KIT	4991539	O-Ring - Injector S60
Same as A-23528939 Kit above		A-5234701	O-Ring - Injector, Internal
A-23535699	WASHER - INJ HOLD DOWN - CLAMP	A-5234224	Spacer - Seal Solenoid
A-23535700	EXTERNAL INJECTOR SEAL KIT	MCB26209-25	KIT - INJECTOR INTERNAL SEAL S
A-5234702	O-Ring - Injector External	Same as MCB26209 Kit above	
A-23535699	Washer - Injector Hold Down Clamp	MCB26210	EXTERNAL INJECTOR SEAL REPAIR KIT
4991720	O-Ring, Injector, S60 Blue	A-5234699	O-Ring - Injector, External
4991721	O-Ring, Injector, S60 Purple	A-5234702	O-Ring - Injector, External
4991722	Washer, Injector, S60, Gray	A-5104701	Seal - O-Ring Injector Tube
A-23535778	WASHER,INJ HOLD DOWN-CLAMP,S60		

Note: Indented Items are included in kit or set above

**DETROIT EUI COMPONENTS, continued ...**

Item	Description	Item	Description
MCB26210-25	KIT - INJECTOR EXTERNAL SEAL S	MCBS60INJ	EXTERNAL INJECTOR SEAL KIT
Same as MCB26210 Kit above		A-5234699	O-Ring - Injector External
MCB-DDEC-92K	KIT O-RING	A-5234702	O-Ring - Injector External
A-5234281	Ring - Seal - Injector	A-23511870	Gasket - Lower Aux Inj Seal
A-5234224	Spacer - Seal Solenoid	A-5104701	Seal - O-Ring Injector Tube
M-131026	Seal O-Ring		
A-5234368	O-Ring Injector		
A-3045986	Seal O-Ring		

Note: Indented Items are included in kit or set above

**DETROIT DIESEL**

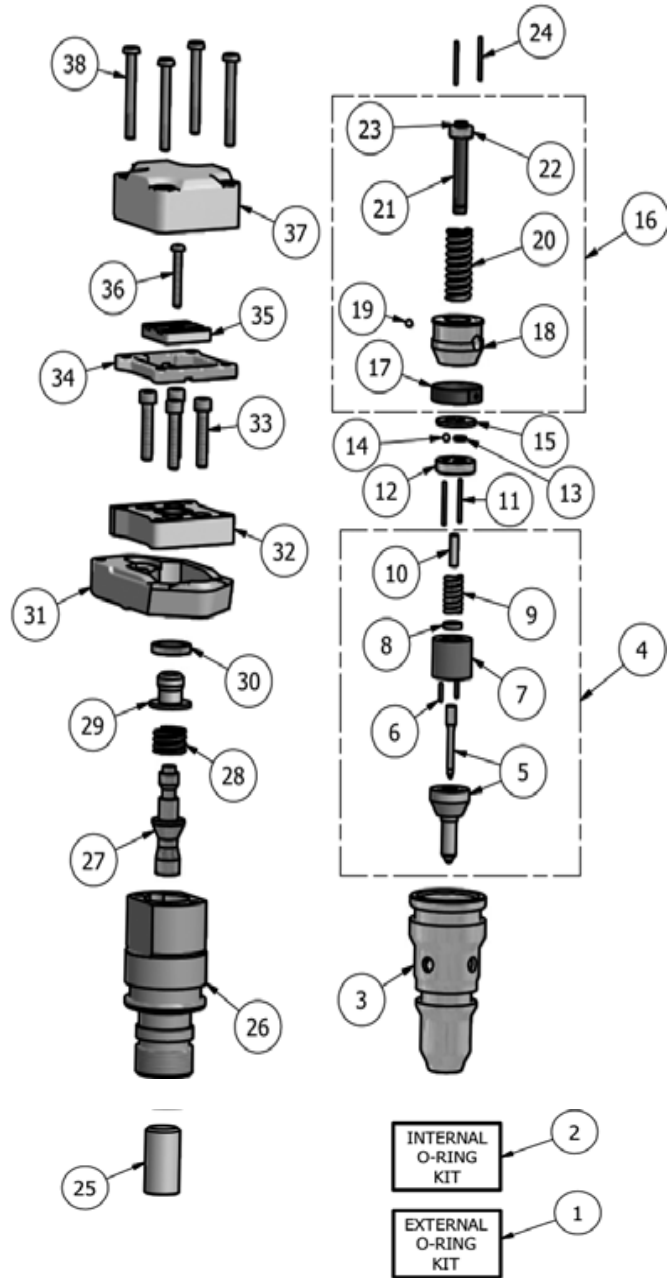
Item Number	Description	Core Code
R-5234785	INJECTOR - REMAN S60 11.1 & 12.7L	C-S60DDEC1
R-5234795	INJECTOR - REMAN S60 12.7L	C-S60DDEC2
R-5234870	INJECTOR - REMAN S60 11.1L	C-S60DDEC2
R-5234935	INJECTOR - REMAN S60 11.1L & 12	C-S60DDEC2
R-5234940	INJECTOR - REMAN S60 11.1L & 12	C-S60DDEC2
R-5234945	INJECTOR - REMAN S60 12.7L	C-S60DDEC2
R-5234970	INJECTOR - REMAN S60	C-S60DDEC2
R-5235550	INJECTOR - REMAN S50/60 8.5L	C-S60DDEC3/4
R-5235575	INJECTOR - REMAN S50/60 12.7L	C-S60DDEC3/4
R-5235580	INJECTOR - REMAN S60 11.1L	C-S60DDEC3/4
R-5235600	INJECTOR - REMAN S50/60 8.5L	C-S60DDEC3/4
R-5235605	INJECTOR - REMAN S60	C-S60DDEC3/4
R-5235695	INJECTOR - REMAN S60	C-S60DDEC3/4
R-5235915	INJECTOR - REMAN S50/60	C-S60DDEC3/4
R-5236347	INJECTOR - REMAN S50	C-S60DDEC3/4
R-5236977	INJECTOR - REMAN S50/60	C-S60DDEC3/4
R-5236978	INJECTOR - REMAN S50/60	C-S60DDEC3/4
R-5236980	INJECTOR - REMAN S60	C-S60DDEC3/4
R-5236981	INJECTOR - REMAN S50	C-S60DDEC3/4
R-5236995	INJECTOR - REMAN S60	C-S60DDEC3/4
R-5237014	INJECTOR - REMAN S60	C-S60DDEC3/4
R-5237042	INJECTOR - REMAN S60	C-S60DDEC3/4
R-5237045	INJECTOR - REMAN S60	C-S60DDEC3/4
R-5237099	INJECTOR - REMAN S60	C-S60DDEC3/4
R-5237315	INJECTOR - REMAN S60	C-S60DDEC3/4
R-5237466	INJECTOR - REMAN S60	C-S60DDEC3/4
R-5237473	INJECTOR - REMAN S60	C-S60DDEC3/4
R-5237635	INJECTOR - REMAN S60	C-S60DDEC3/4
R-5237650	INJECTOR - REMAN S60	C-S60DDEC3/4
R-5237787	INJECTOR - REMAN S60	C-S60DDEC3/4
R-5237820	INJECTOR - REMAN S60	C-S60DDEC3/4
R-5237821	INJECTOR - REMAN S60	C-S60DDEC3/4
R-5237320	INJECTOR - REMAN S60	C-S60DDEC3/4



Note: Indented Items are included in kit or set above

NAVISTAR INJECTOR

Item	Part #	Description	Qty. Req'd.
1	MCBS0008	External O-Ring Kit	1
2	See App. Chart	Internal O-Ring Kit	1
3	8991079	Nut	1
4	See App. Chart	Nozzle Group	1
5	See App. Chart	Nozzle Assembly	1
6	8991002	Dowel Pin	2
7	8991029	Spacer Sleeve	1
8	8991028	Lift Spacer	1
9	8991029	Nozzle Spring	1
9	8991106	Nozzle Spring	1
10	8991026	Stop Pin	1
11	8991001	Dowel Pin	2
12	8991080	Stop	1
13	8991081	Check Plate	1
14	8991082	Check Ball	1
15	8991083	Stop Plate	1
16	See App. Chart	Plunger & Barrel Group	1
17	REF Item 16	Retaining Spring	1
18	REF Item 16	Barrel	1
19	REF Item 16	Check Ball	1
20	REF Item 16	Spring	1
21	REF Item 16	Plunger	1
22	REF Item 16	Retaining Washer	1
23	REF Item 16	Retaining Ring	1
24	8991001	Dowel	2
25	See App. Chart	Intensifier Piston	1
26	8991091	Piston & Valve Body	1
27	8991092	Poppet Valve	1
28	8991093	Poppet Spring	1
29	8991094	Sleeve	1
30	8991095	Poppet Shim	1
31	8991096	Clamp	1
32	8991097	Adapter	1
33	8991099	Assembly Screw	4
34	8991100	Solenoid Spacer	1
35	8991101	Armature	1
36	8991102	Adjusting Screw	1
37	8991103	Solenoid	1
38	8991003	Solenoid Screw	4



Note: Indented Items are included in kit or set above



**NAVISTAR INJECTOR COMPONENTS, continued ...**

APPLICATION CHART

Item	Part #	Description	Qty. Req'd.
2	MCBS0007	Internal O-Ring Kit	1
	MCBS0530	Internal O-Ring Kit	1
4	8991135	Nozzle Group	1
	8991136	Nozzle Group	1
	8991137	Nozzle Group	1
	8991145	Nozzle Group	1
	8991146	Nozzle Group	1
	8991155	Nozzle Group	1
	8991156	Nozzle Group	1
	8991165	Nozzle Group	1
	8991166	Nozzle Group	1
	8991175	Nozzle Group	1
5	8991035	Nozzle Assembly	1
	8991036	Nozzle Assembly	1
	8991037	Nozzle Assembly	1
	8991045	Nozzle Assembly	1
	8991046	Nozzle Assembly	1
	8991055	Nozzle Assembly	1

Item	Part #	Description	Qty. Req'd.
5	8991056	Nozzle Assembly	1
	8991065	Nozzle Assembly	1
	8991066	Nozzle Assembly	1
	8991075	Nozzle Assembly	1
16	8996000	Plunger & Barrel Group	1
	8996001	Plunger & Barrel Group	1
	8996060	Plunger & Barrel Group	1
	8996061	Plunger & Barrel Group	1
	8997100	Plunger & Barrel Group	1
	8997160	Plunger & Barrel Group	1
25	8991110	Intensifier Piston	1
	8991111	Intensifier Piston	1
	8991112	Intensifier Piston	1
	8991113	Intensifier Piston	1
	8991114	Intensifier Piston	1
	8991115	Intensifier Piston	1
	8991117	Intensifier Piston	1
	8991118	Intensifier Piston	1

**NAVISTAR INJECTOR COMPONENTS, continued ...**

Part #	Description
M-1830742C92	Seal Kit, External, Injector, Navistar
M-F5TZ-9229-B1	Ring, Back-Up
M-F5TZ-9229-B2	Ring, Cushion
M-F5TZ-9229-B3	O-Ring
M-F5TZ-9229-B6	Seal, Lower Injector
M-F5TZ-9229-B8	Seal Ring
M-1830742C92-1	Seal
MCB0006	Kit, Chamber Gasket
M-2421539	O-Ring Kit, Single Fuel Injector, 3126
M-1093207	Seal O-Ring
M-1333715	Seal O-Ring Fuel Inj
M-1482903	Seal O-Ring
M-1459240	Seal O-Ring Fuel Inj
M-1504105	Seal O-Ring Fuel Inj
M-2373800	Seal O-Ring
MCB06063-31	P&B Group, 3126, 3126B
MCB07161-31	P&B Group, 3126, 3126B
MCB41006-32 & -31	Nozzle Group, 3126, 3126B
MCB41016-31	Nozzle Group, 3126, 3126B
MCB41016-32	Nozzle Group, 3126, 3126B
M-4C3Z-9C977-AA	Repair Kit, IPR
M-4C3Z-9C977-AA-1	Small O-Ring
M-4C3Z-9C977-AA-2	Large O-Ring
M-4C3Z-9C977-AA-3	Back Up Ring
M-4C3Z-9C977-AA-4	Nut
M-1817687	Water Pump, DT466E (New Generation)
M-3286277	Water Pump, 5.9L,4-6B
M-3286278	Water Pump, 5.9L,4-6B
M-3935878	Valve Cover Gasket
M-3936316	Fuel Transfer Pump, B, 6C

Part #	Description
<b>Nozzle Group</b>	
<b>Additional Cross Reference</b>	
8991135	DPE41005/31
8991136	DPE41006/31
8991137	DPE41007/31
8991145	DPE41015/31
8991146	DPE41016/31
8991155	DPE41025/31
8991156	DPE41026/31
8991165	DPE41035/31
8991166	DPE41036/31
8991175	DPE41045/31
<b>P&amp;B Group</b>	
<b>Additional Cross Reference</b>	
8996000	DPE06000/31
8996001	DPE06001/31
8996060	DPE06060/31
8996061	DPE06061/31
8997100	DPE07100/31
8997160	DPE07160/31
<b>Intensifier Piston</b>	
<b>Additional Cross Reference</b>	
8991110	DPS13053/31
8991111	DPS13056/31
8991112	DPS13057/31
8991113	DPS13055/31
8991114	DPS13050/31
8991115	DPS13052/31
8991117	DPS13051/31
8991118	DPS13054/31

Note: Indented Items are included in kit or set above

NAVISTAR COMPONENTS, continued ...

Item	Description
8991027	SPRING - INJECTOR
M-1830742C92-1	SEAL
M-1841217C91	VALVE,INJECTION PRESSURE
M-2421539	O-RING KIT, SINGLE FUEL INJECTOR 3126
M-1093207	Seal O-Ring
M-1333715	Seal O-Ring Fuel Inj
M-1482903	Seal O-Ring
M-1495240	Seal O-Ring Fuel Inj
M-1504105	Seal O-Ring Fuel Inj
M-2373800	Seal O-Ring
MCBS0007	HEUI INTERNAL O-RING KIT
MCBS0007-1	Ring - Seal Piston
MCBS0530-1	Seal Ring
MCBS0530-3	Seal Ring, Small
MCBS0007-1	RING - SEAL
MCBS0008	FORD HEUI EXTERNAL SEAL KIT
M-F5TZ-9229-B1	Ring, Back-up
M-F5TZ-9229-B2	Ring, Cushion

Item	Description
M-F5TZ-9229-B3	O-Ring
M-F5TZ-9229-B6	Seal, Lower Injector
M-F5TZ-9229-B7	Seal, Injector, Copper
MCBS0025	KIT,EXTERNAL O-RING,HEUI
M-1333715	Seal O-Ring Fuel Inj
M-1504105	Seal O-Ring Fuel Inj
M-2153198	Seal O-Ring
M-2373800	Seal O-Ring
M-1093207	Seal O-Ring
M-1495240	Seal O-Ring Fuel Inj
MCBS0530	HEUI INJECTOR INTERNAL SEAL KIT
MCBS0530-1	Seal Ring, Blue
MCBS0530-2	Seal Ring, Green, Piston Seal
MCBS0530-3	Seal Ring, Small, Blue
MCBS0530-4	Seal Ring
MCBS0530-1	SEAL RING
MCBS0530-3	SEAL RING,SMALL,BLUE (CONTOL
M-F5TZ-9229-B7	SEAL,INJECTOR, COPPER

NAVISTAR

Item Number	Description	Core Code
R-2593588C91-BA	INJECTOR - REMAN 466E	C-466E-BA
R-2593589C91-BB	INJECTOR - REMAN 466E	C-466E-BB
R-2593590C91-BC	INJECTOR - REMAN 466E	C-466E-BC
R-2593591C91-BD	INJECTOR - REMAN I530	C-466E-BD
R-2593592C91-BE	INJECTOR - REMAN 466E	C-466E-BE
R-2593593C91-BF	INJECTOR - REMAN I530	C-466E-BF
R-2593595C91-BI	INJECTOR - REMAN 466E	C-466E-BI
R-2593596C91-BG	INJECTOR - REMAN 466E	C-466E-BG
R-2593596C91-BJ	INJECTOR - REMAN 466E, I530	C-466E-BJ
R-2593597C91-BN	INJECTOR - REMAN DT530	C-466E-BN



COMMON RAIL COMPONENTS

ITEM	DESCRIPTION
M-1208775	CP-3 PUMP KIT
M-1208869	BALL
M-1209126	SPRING
M-1209200	SEAL

ITEM	DESCRIPTION
M-1209428	KIT
M-1209488	KIT
M-DSLA143P5499	NOZZLE - 503 INJ.

Note: Indented Items are included in kit or set above