

SOJAG

produits saisonniers • seasonal products

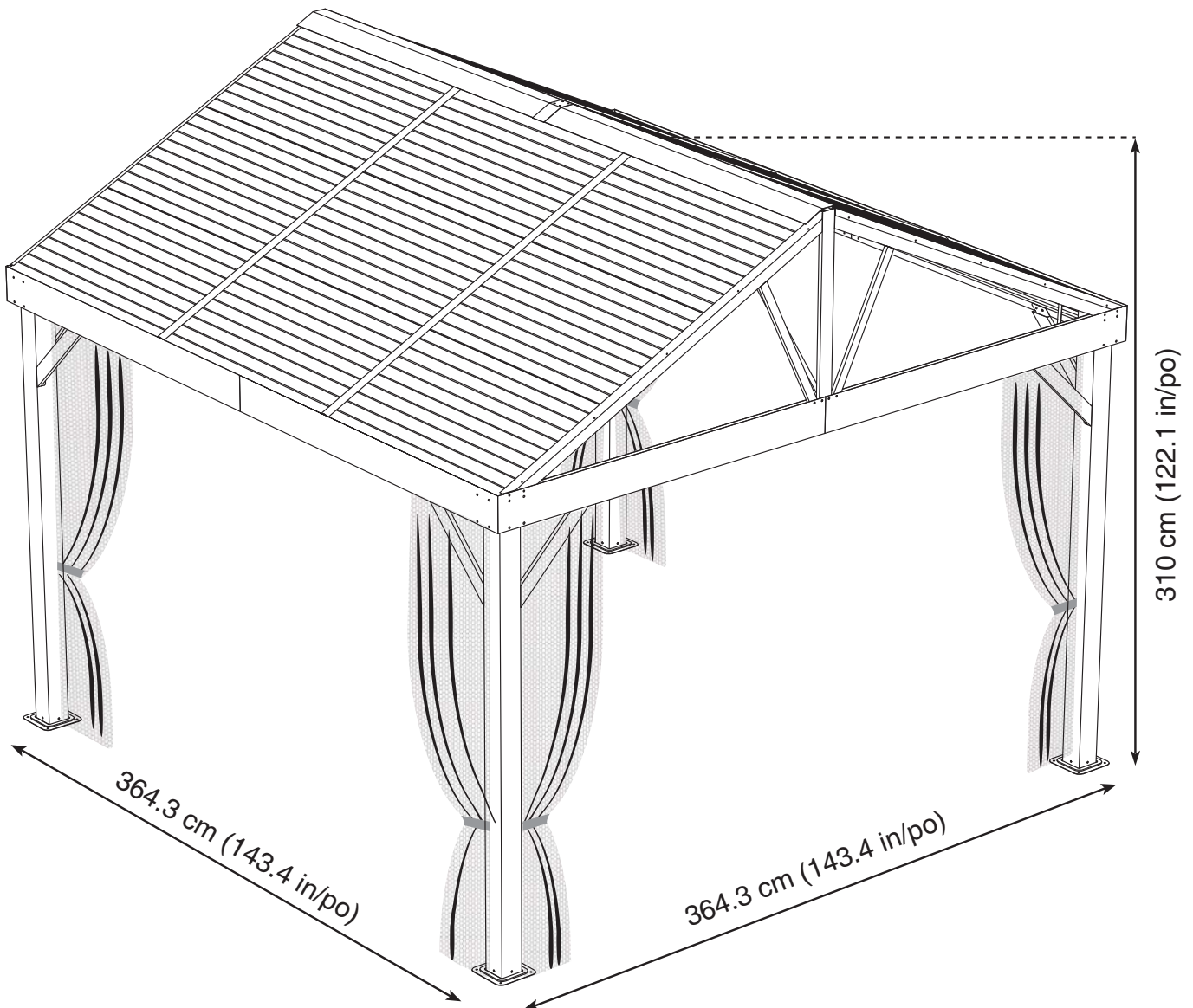


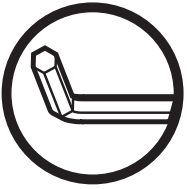
Sojag code: 500-8162776

CUP/UPC code: 772830162776

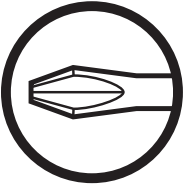
QUESTIONS? 1 866-901-1649

Assembly Manual / Guide d'assemblage / Manual de ensamblaje / 조립설명서 / Montageanleitung





Use the hex keys in the box. / Utilisez les clés hexagonales fournies dans la boîte. /
Utilice las llaves hexagonales en la caja. / 상자에 육각 키를 사용 하십시오. / Verwenden Sie
die Sechskantschlüssel in der Box.



Please use a Phillips screwdriver. / Utilisez un tournevis de type Phillips / Por favor,
use un destornillador Phillips. / 십자 드라이버를 사용 하십시오. / Bitte verwenden
Sie einen Kreuzschraubenzieher.



You may need to use a drill for this step. / Vous pouvez avoir besoin d'utiliser une
perceuse pour cette étape. / Puede que tenga que utilizar un taladro para este paso. /
이 단계에선 드릴을 사용해야 할 수도 있습니다. / Für diesen Schritt können Sie einen
Bohrer verwenden.



Wearing protective gloves is recommended. / Le port de gants de protection est recommandé /
El uso de guantes de protección se recomienda. / 보호 장갑을 착용 하는 것이 좋습니다. /
Das Tragen von Schutzhandschuhen wird empfohlen.



Two or more people are required at this stage. / Deux personnes ou plus sont nécessaires à cette
étape. / Dos o más personas se requieren en esta etapa. / 이 단계에서는 두 명 이상 이 필요합니다. /
Für diesen Bauschritt sind 2 oder mehr Personen erforderlich.

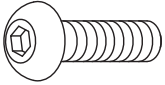


Do not tighten screws all the way for now. / Ne pas visser fermement pour l'instant. /
No atornille con firmeza por ahora. / 아직 나사를 단단히 조이지 마십시오. / Bitte die
Schrauben zum jetzigen Zeitpunkt noch nicht fest anziehen.

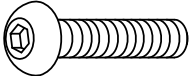


Sold separately. / Vendus séparément. / vendido en las opciones. /
옵션 판매 / Optional erhältlich

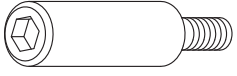
V X 274 (+10)




V1 X 4 (+1)



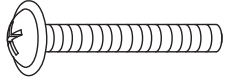
X X 32 (+3)




X1 X 24 (+4)



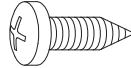
Y1 X 20 (+4)



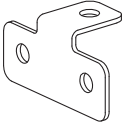
Wa X 2



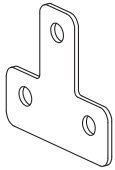
Y X 20 (+4)



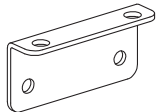
M2 X 4




M3 X 4




M4 X 2




M5 X 2

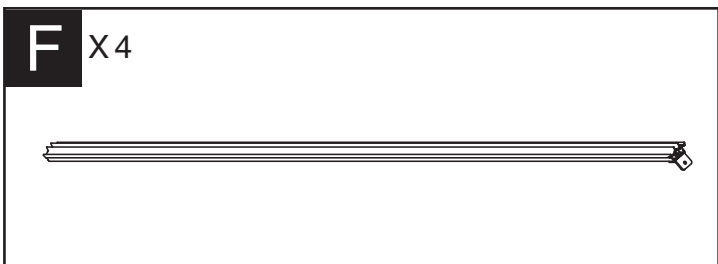
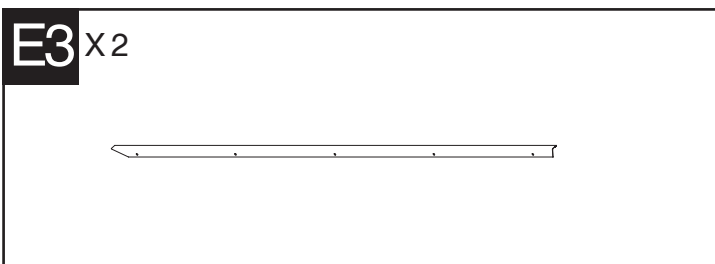
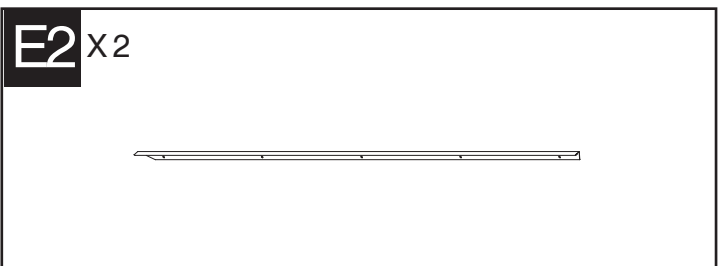
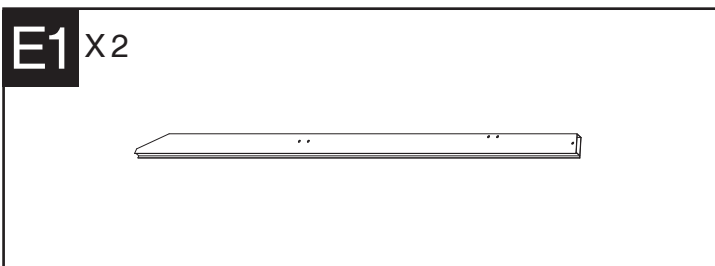
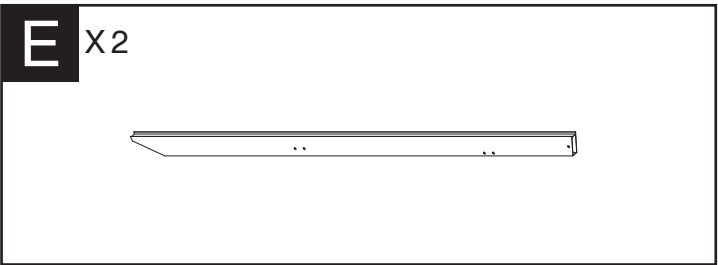
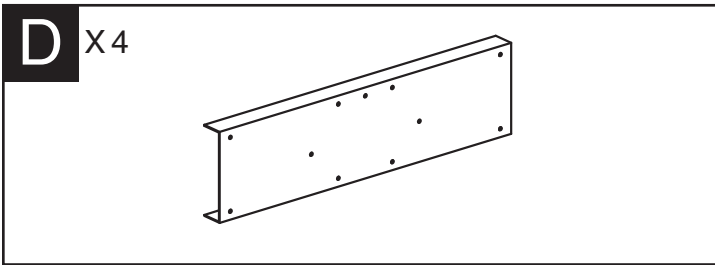
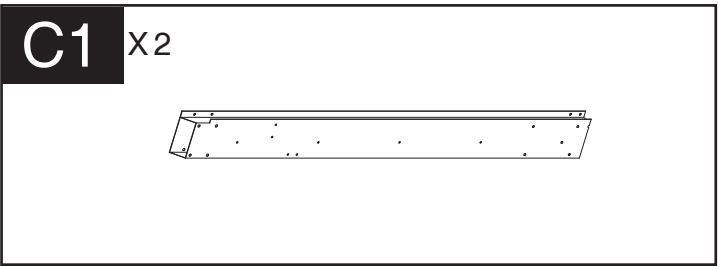
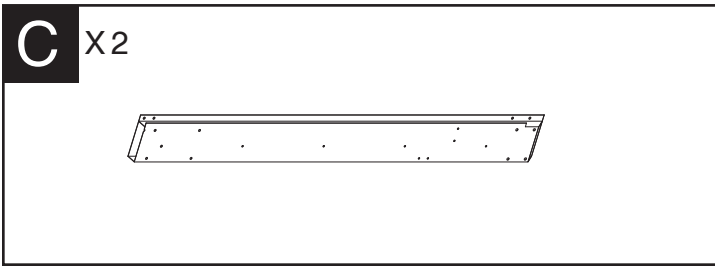
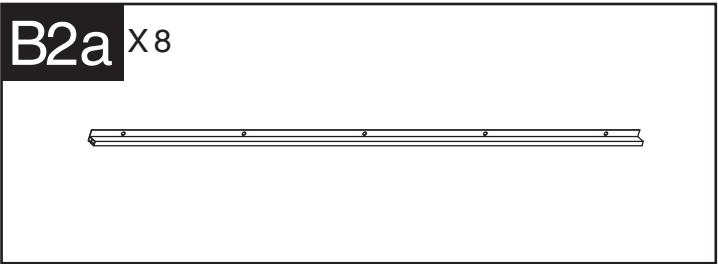
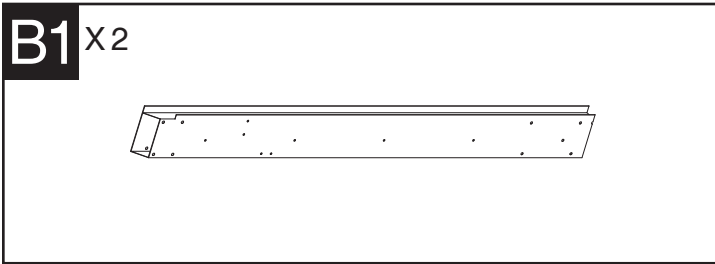
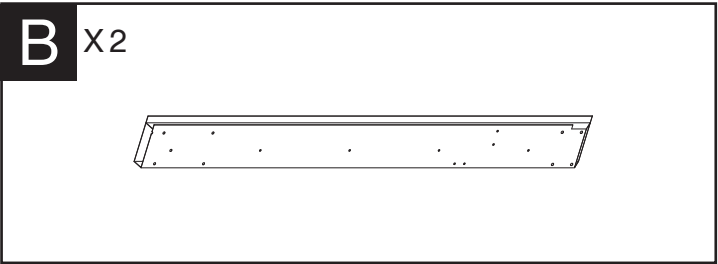
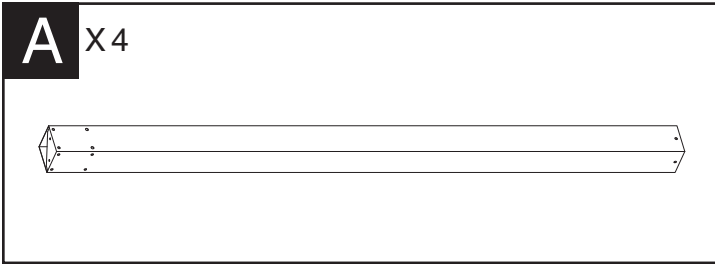


Z X 1

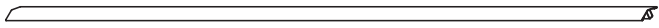


M1 X 4





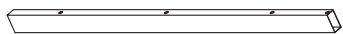
F1 X4



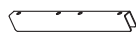
G X2



G1 X4



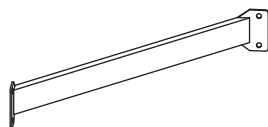
G2 X6



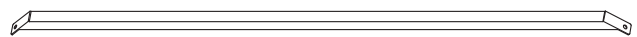
H X4



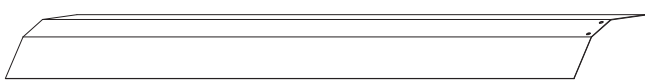
I X4



J X2



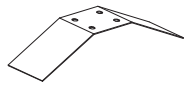
K X2



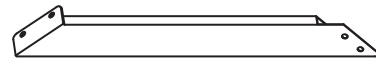
K1 X2



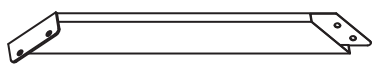
K2 X1



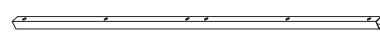
L1 X4

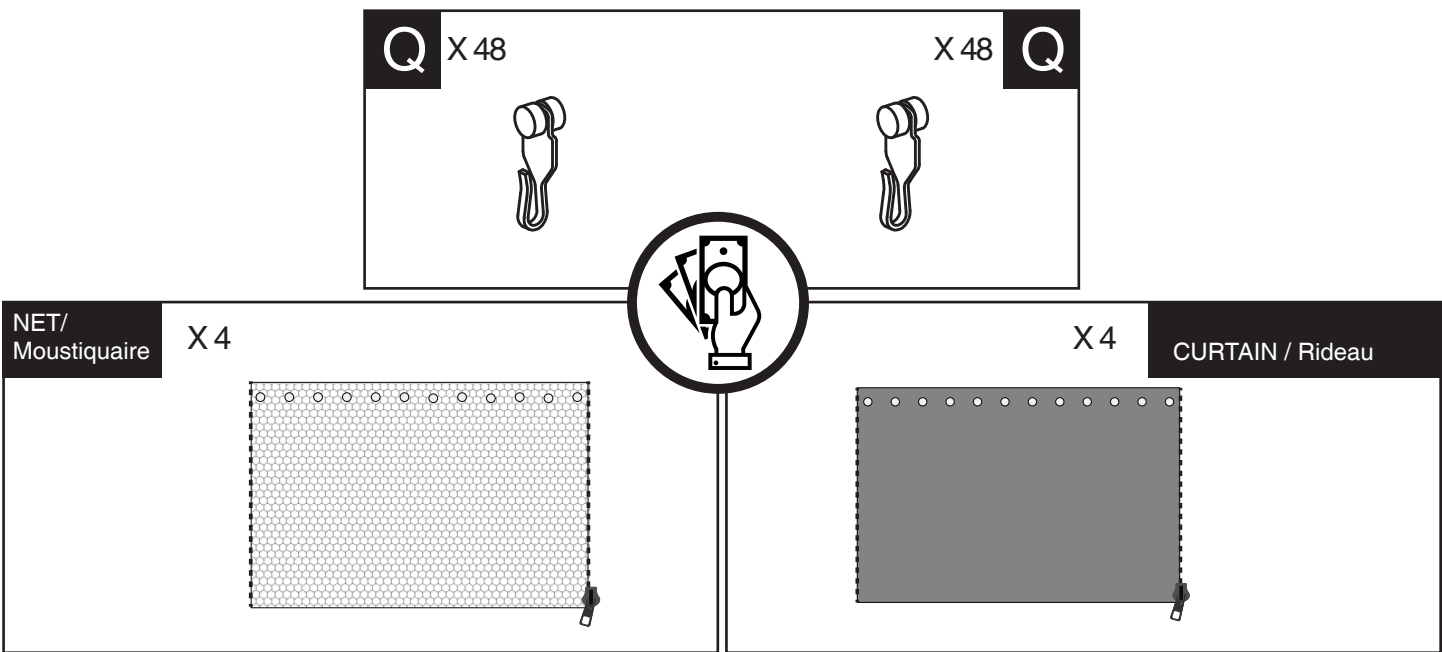
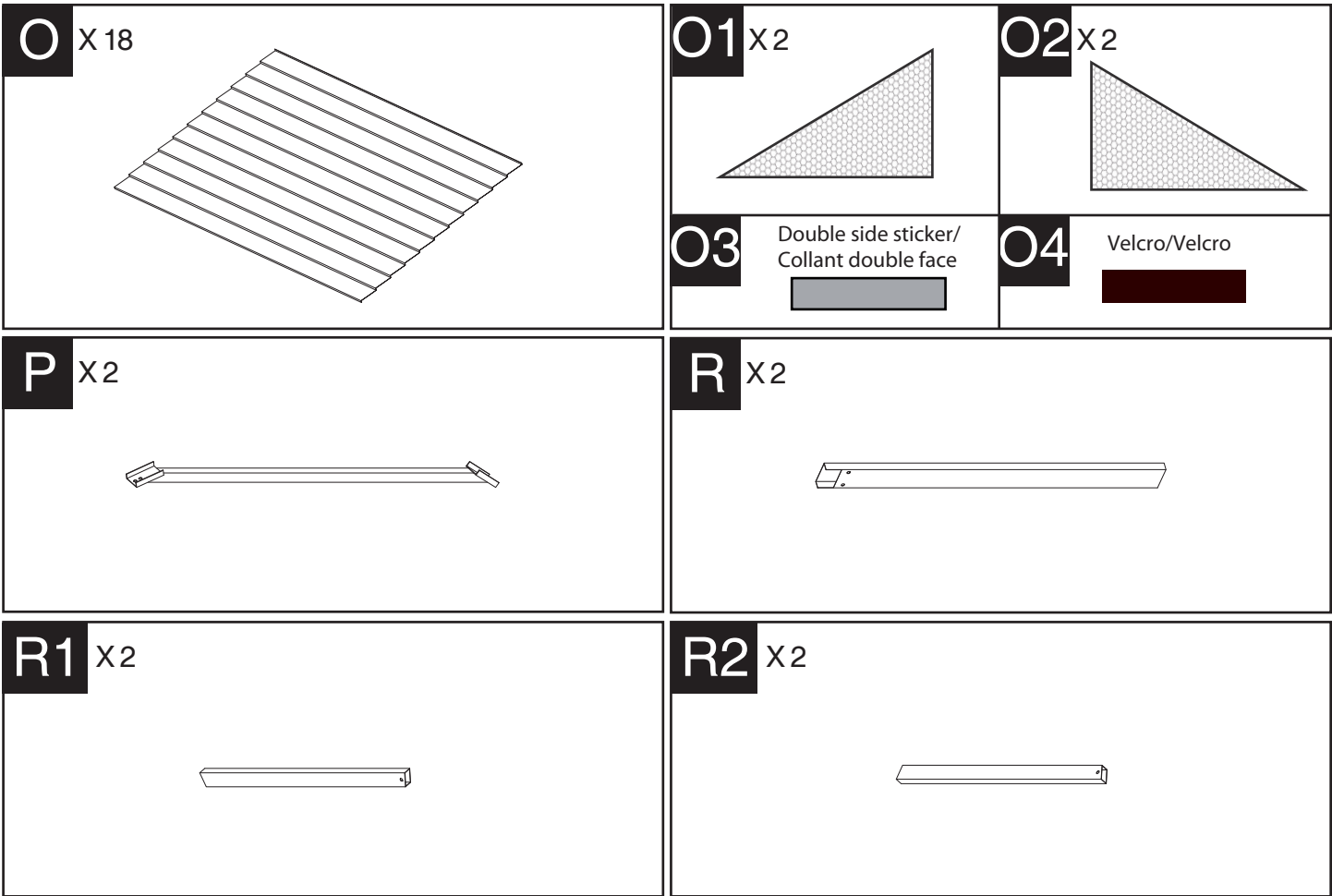


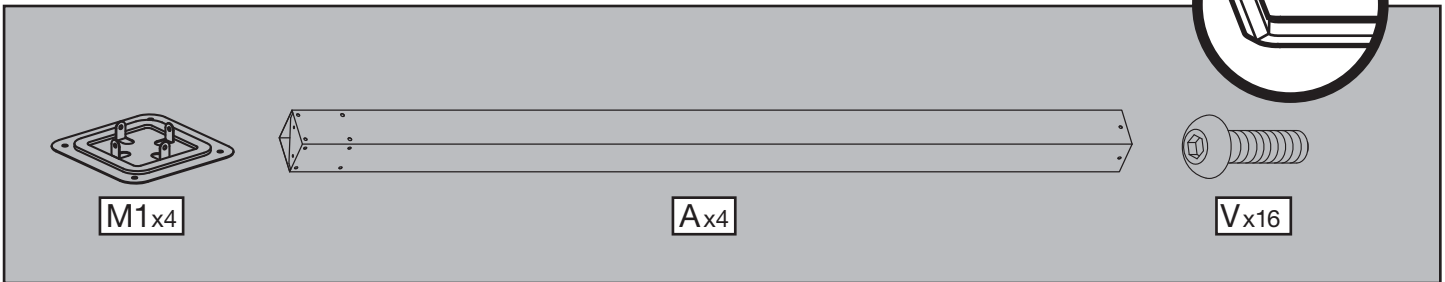
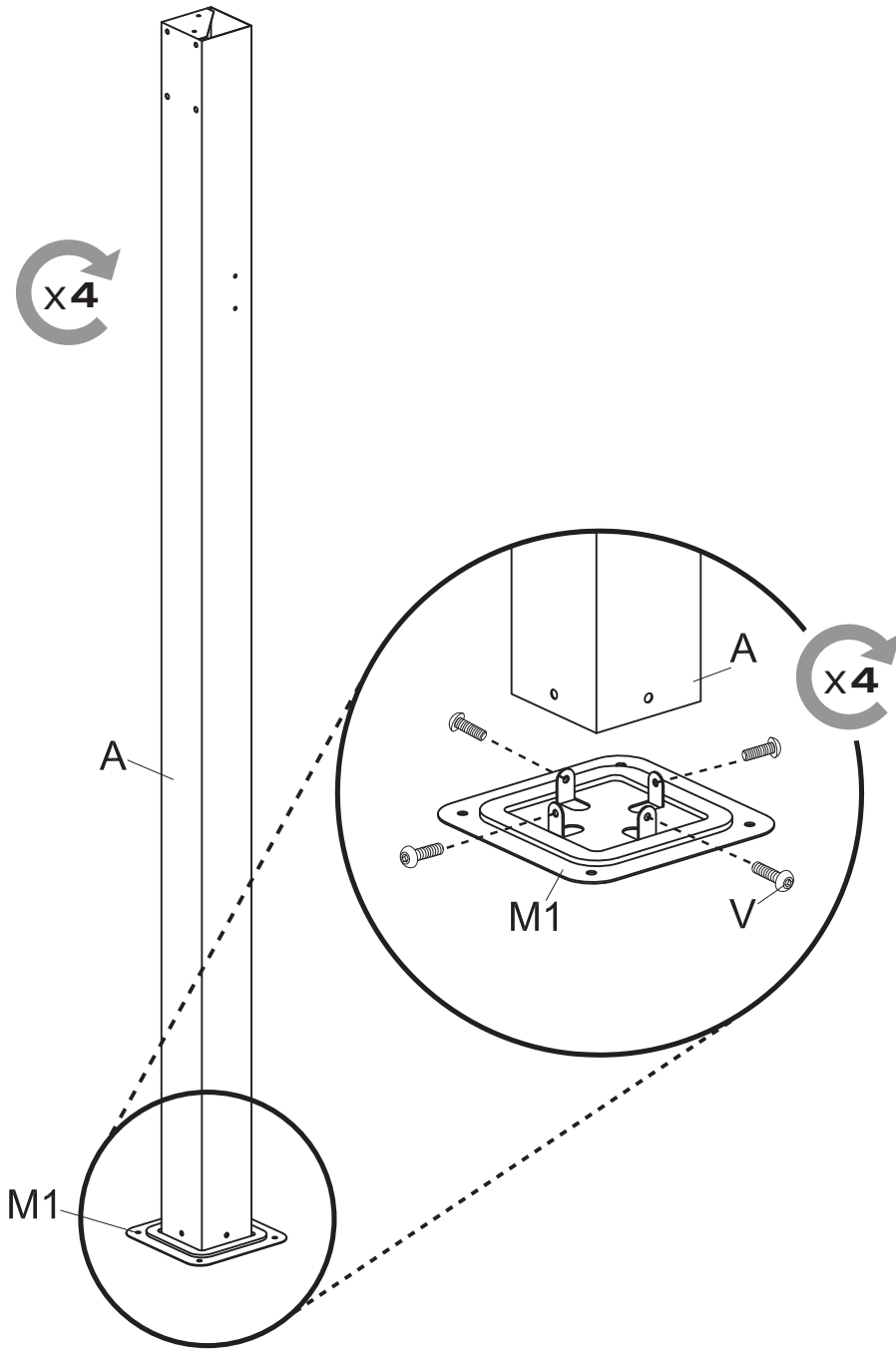
L2 X4

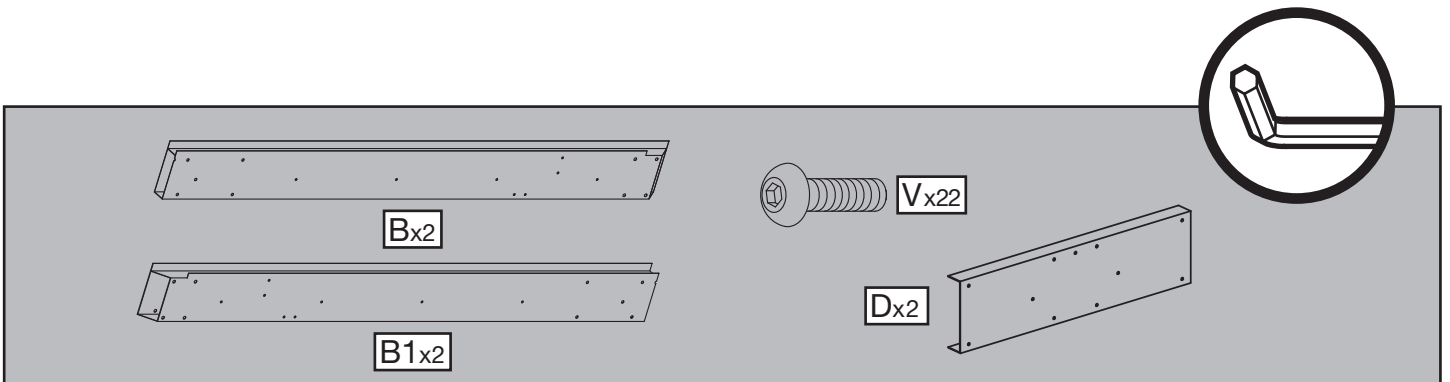
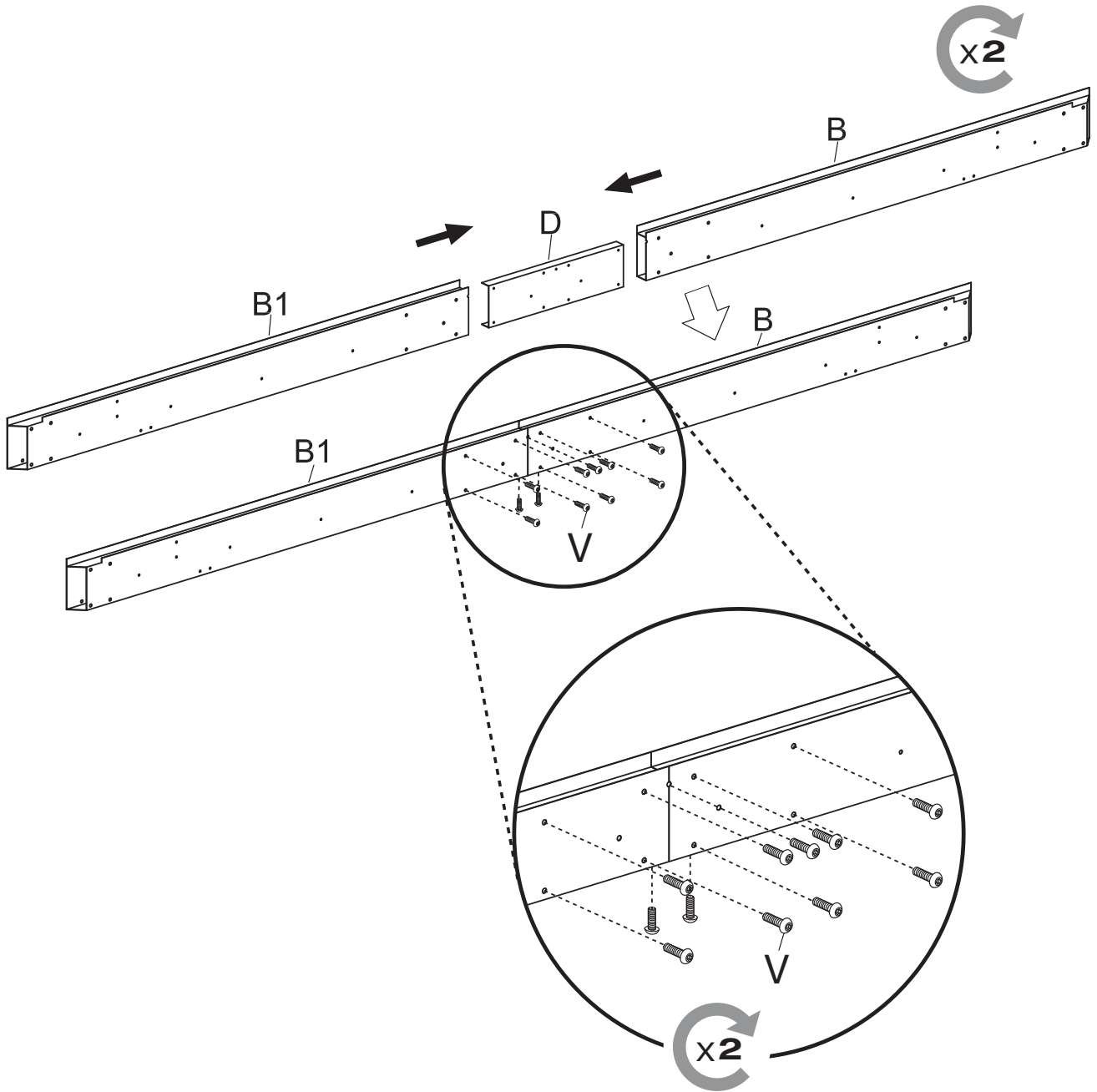


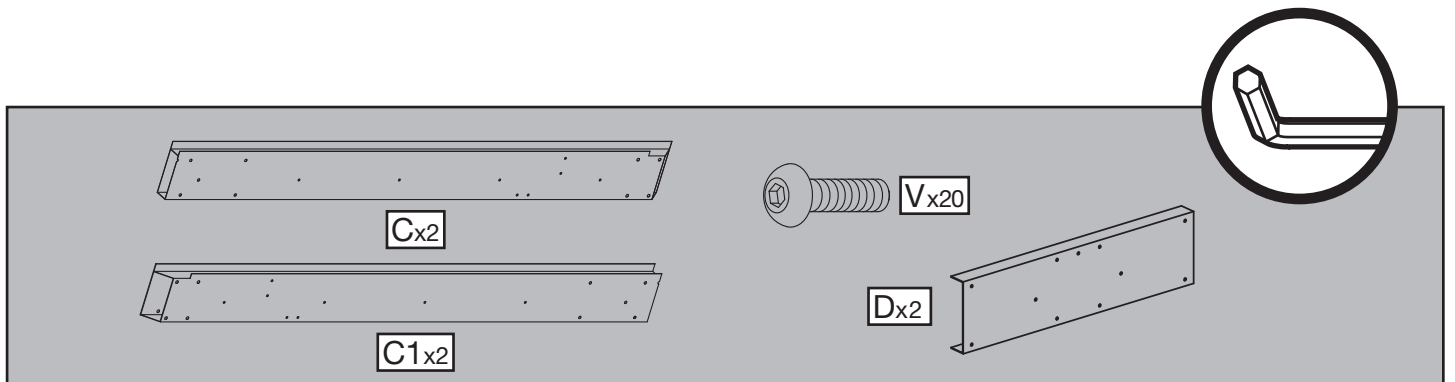
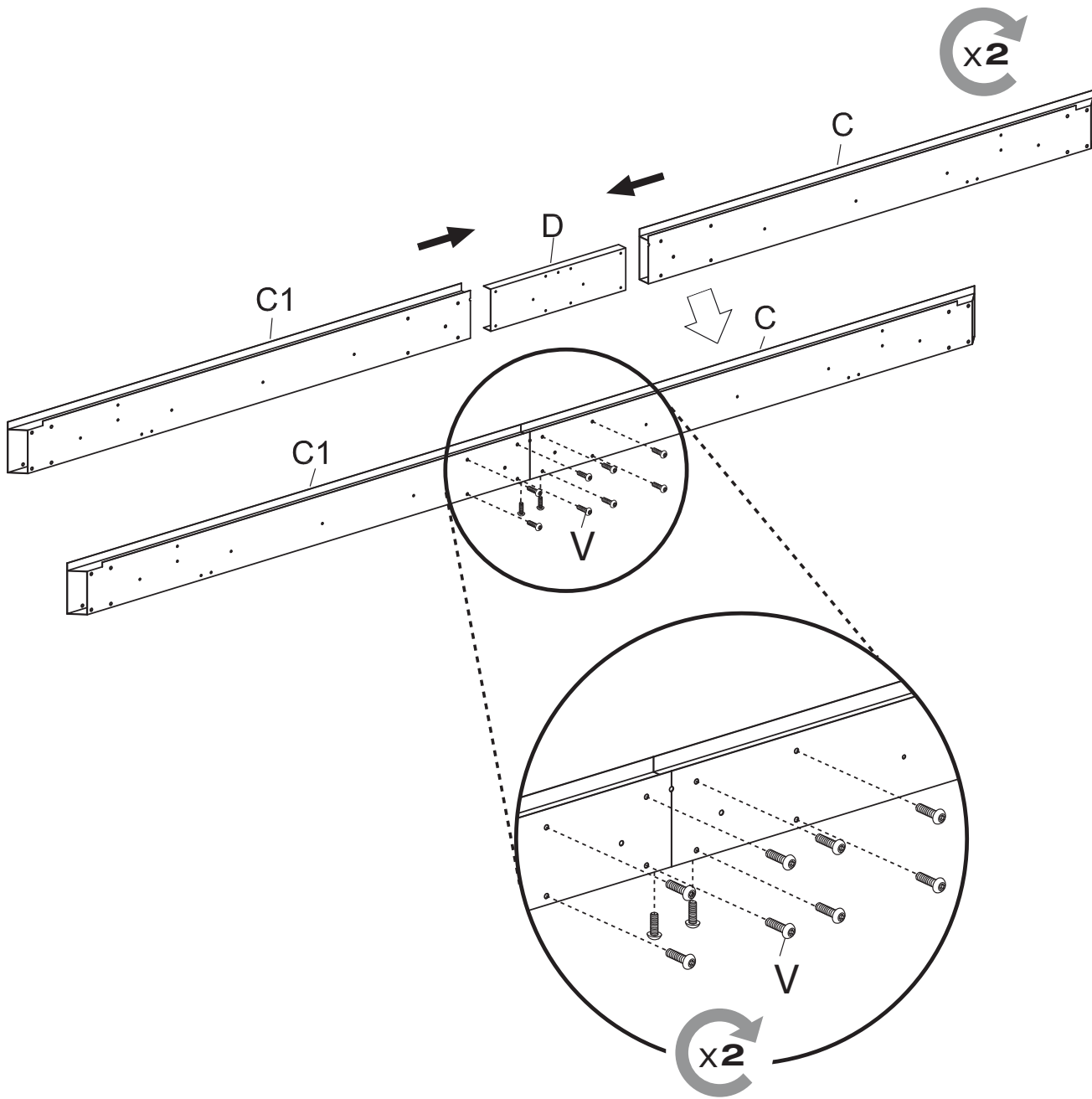
N X2

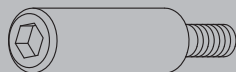
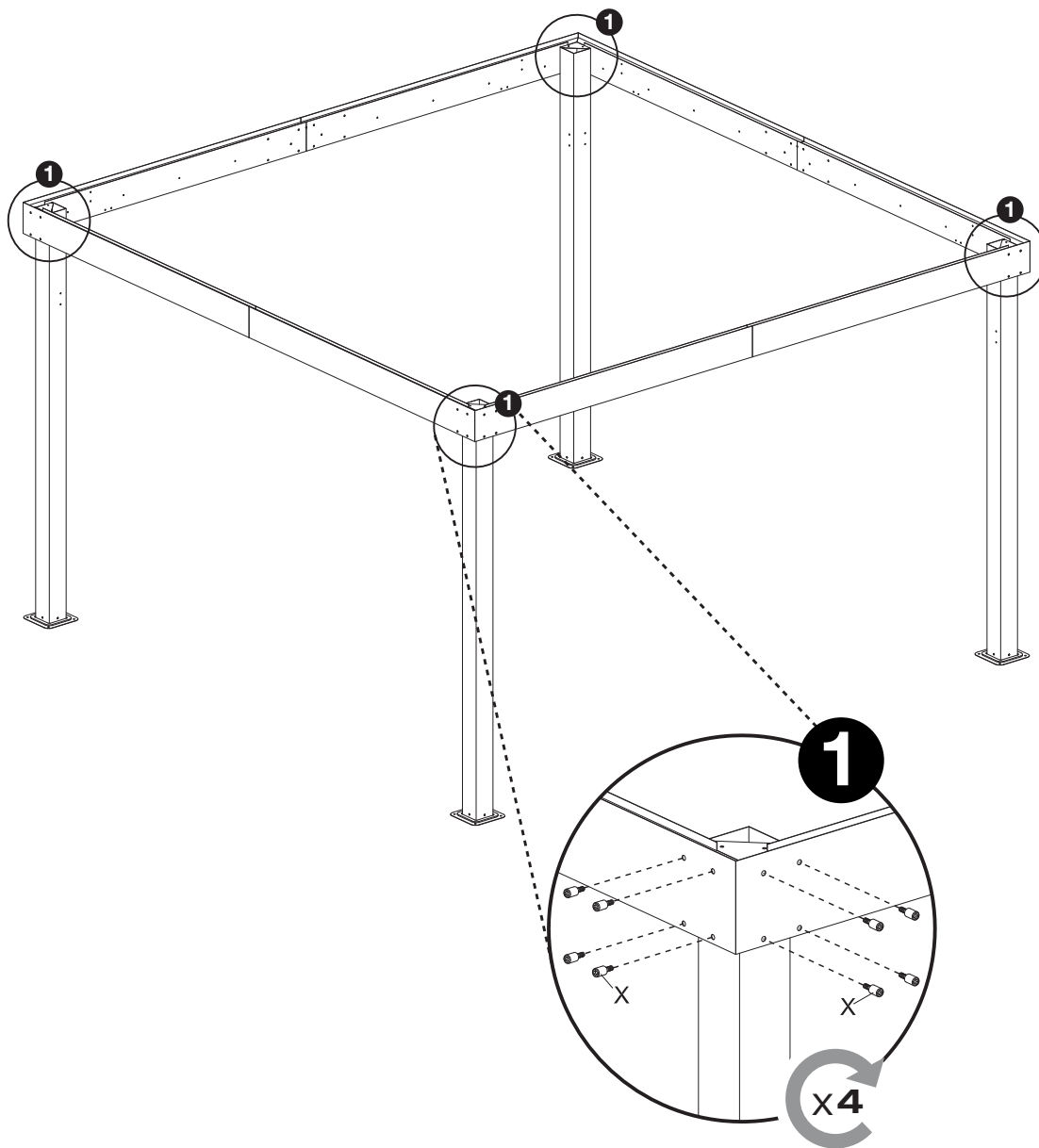




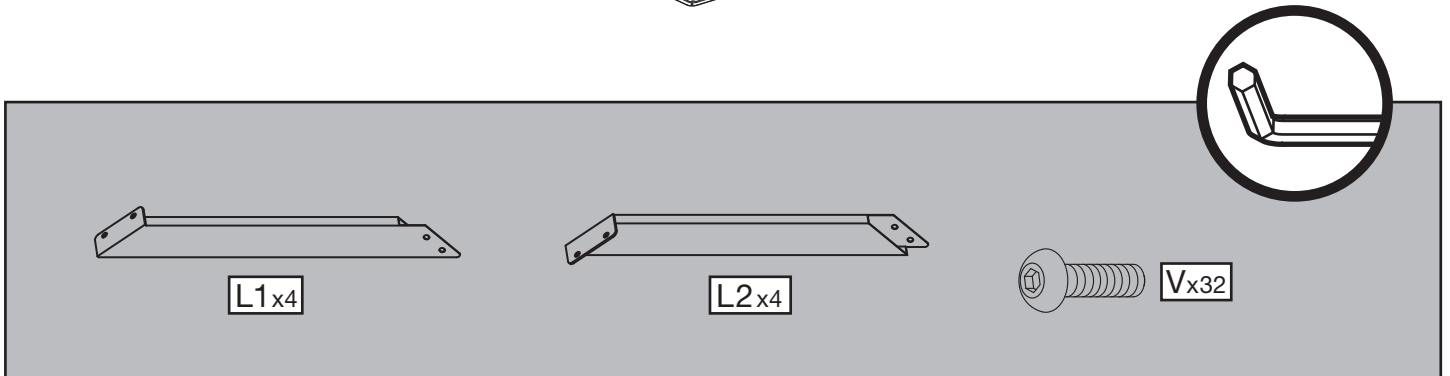
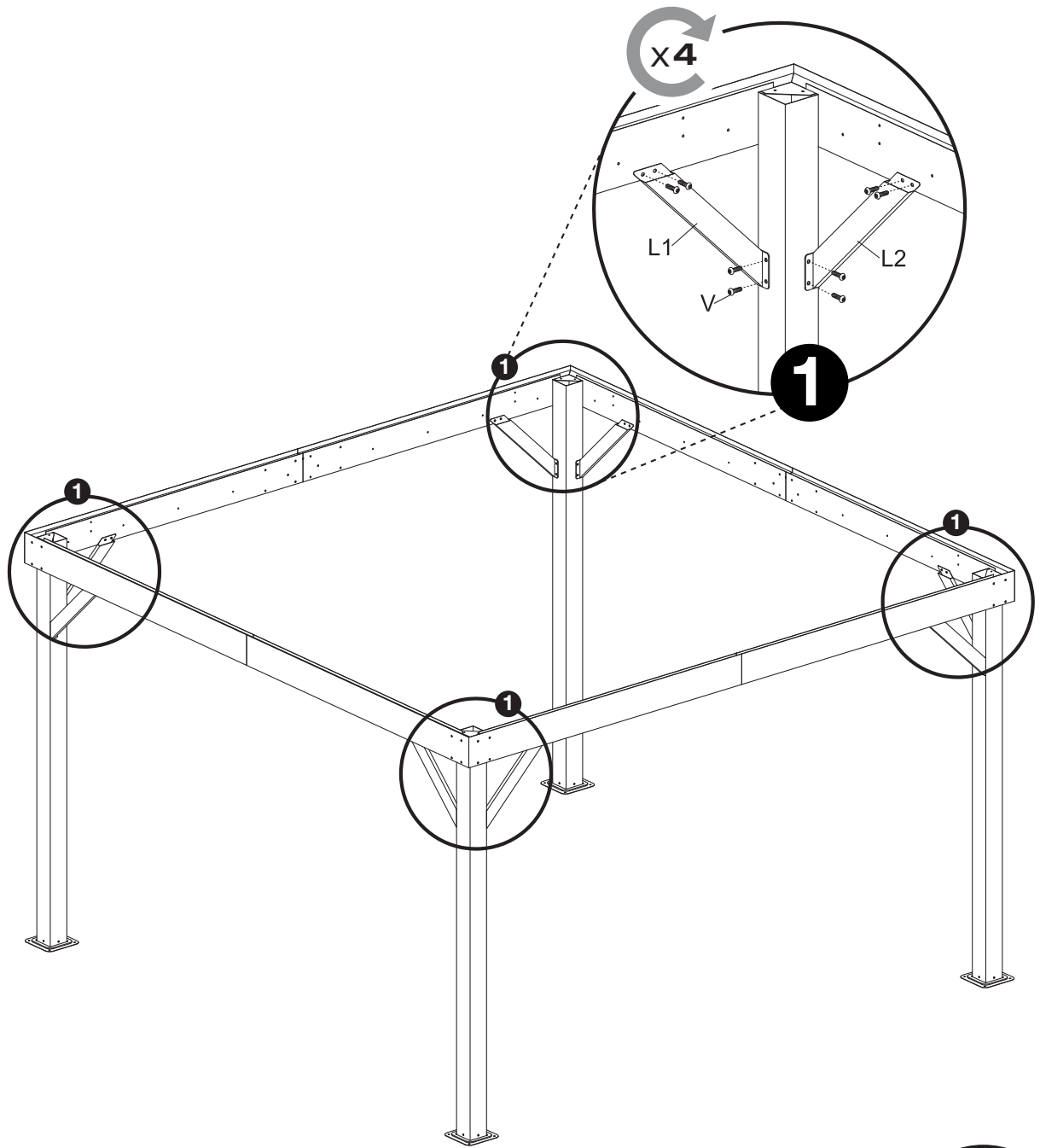


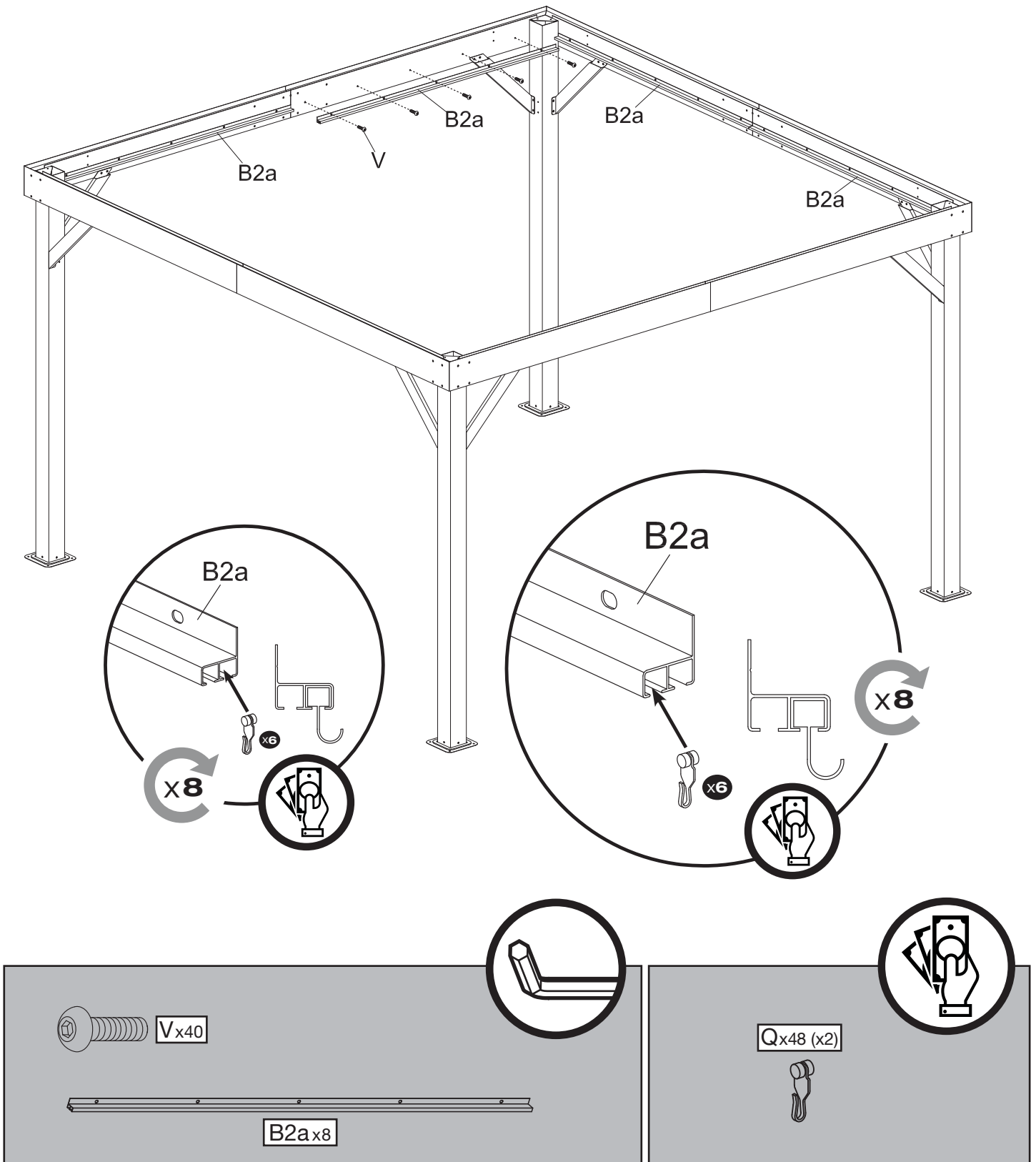


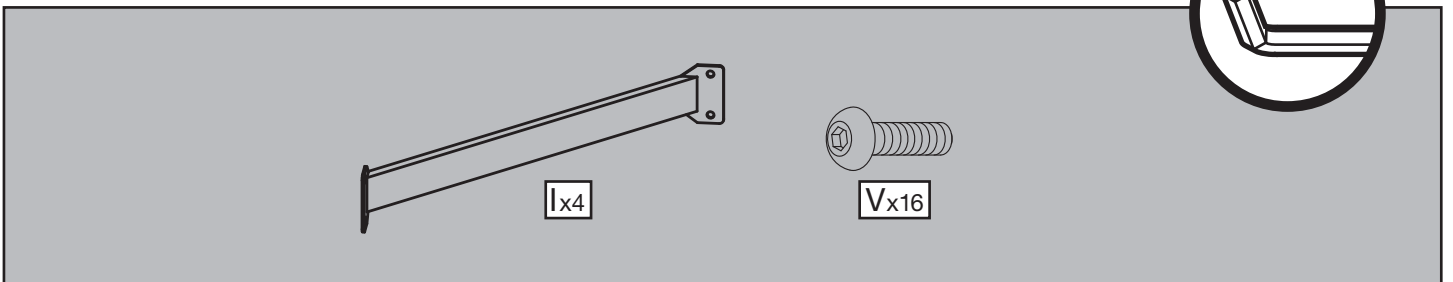
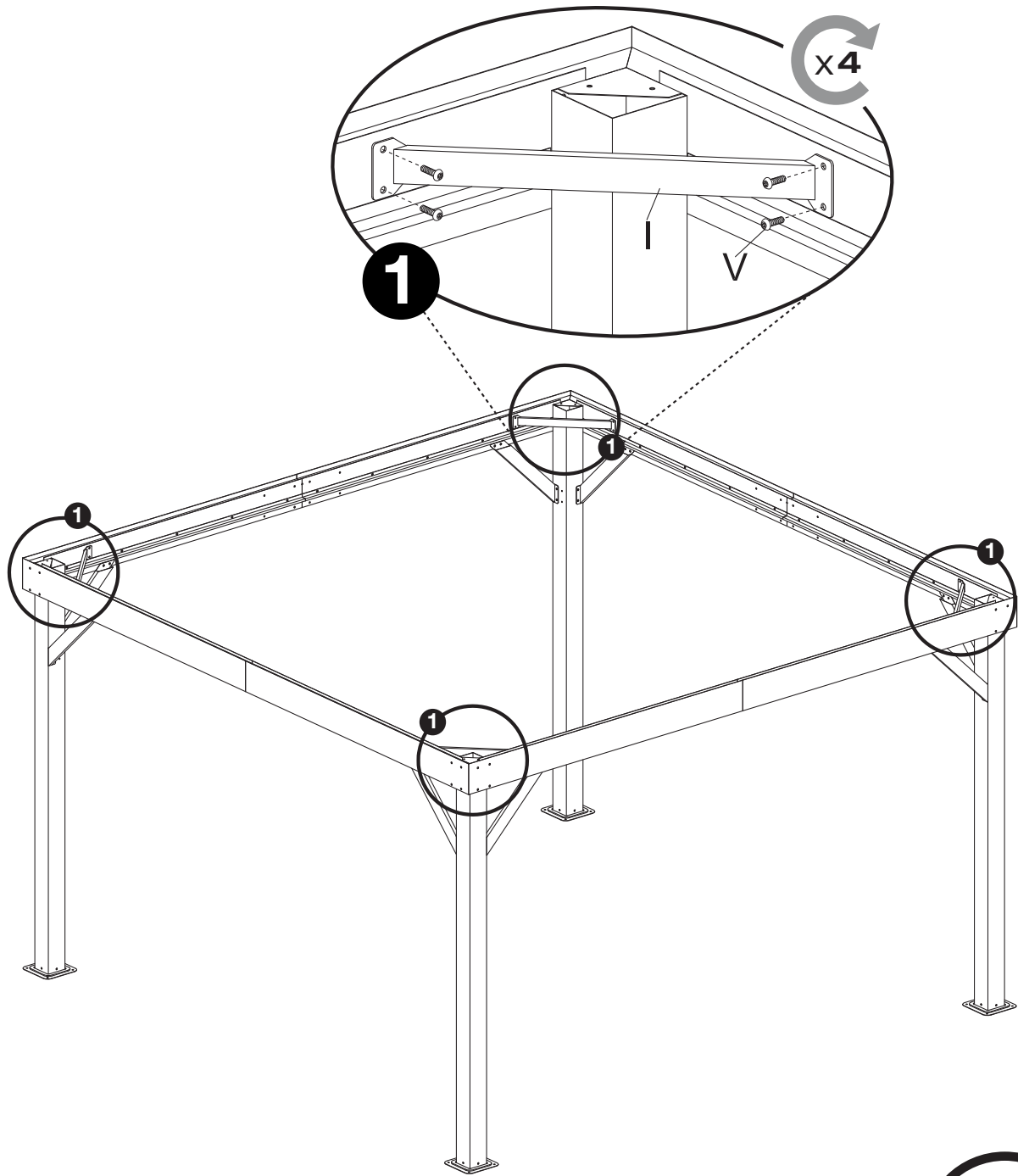


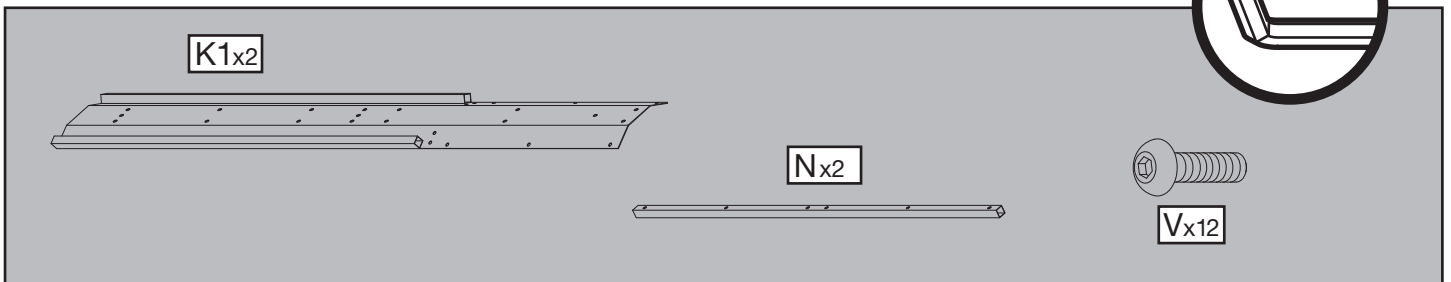
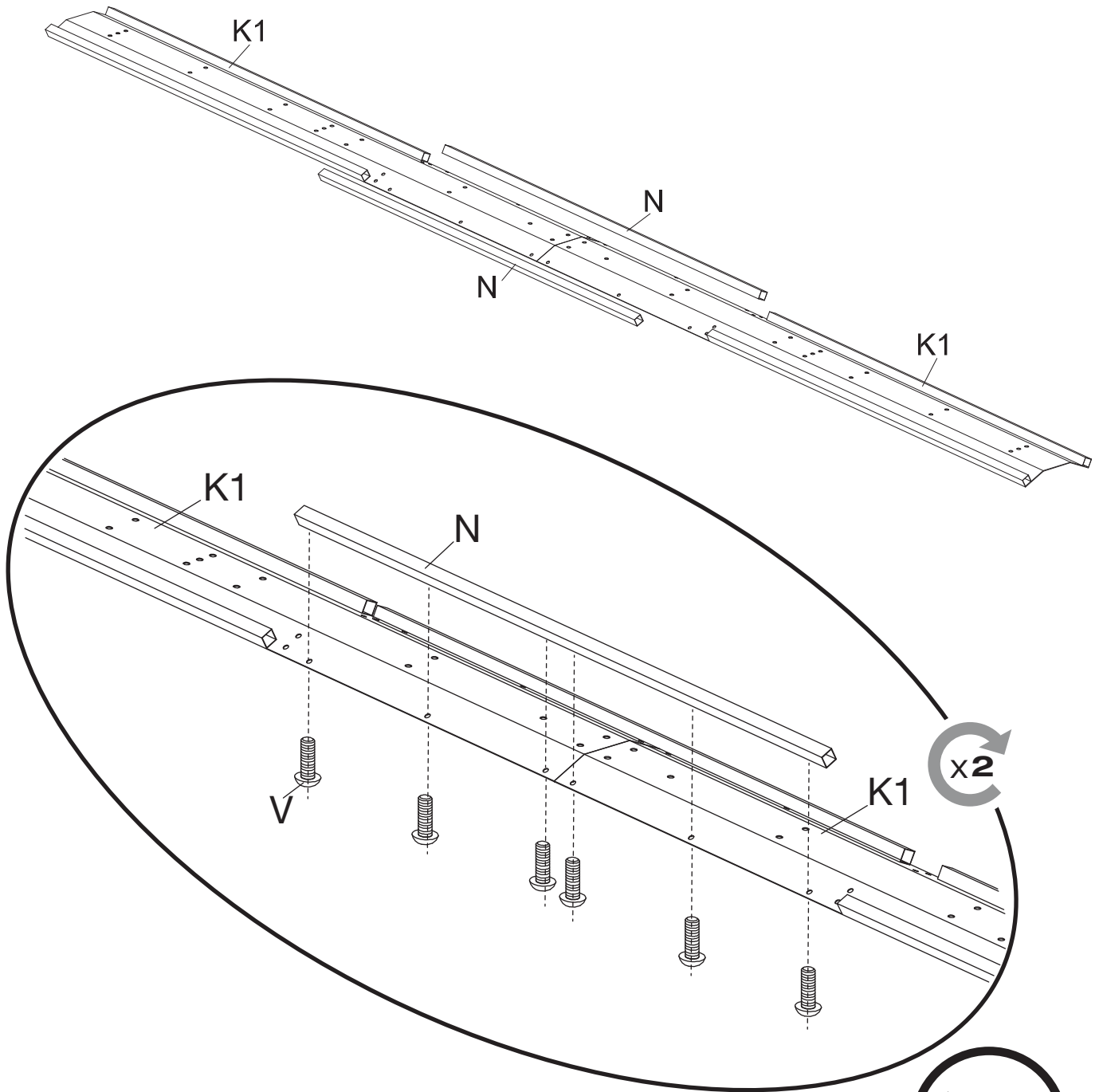


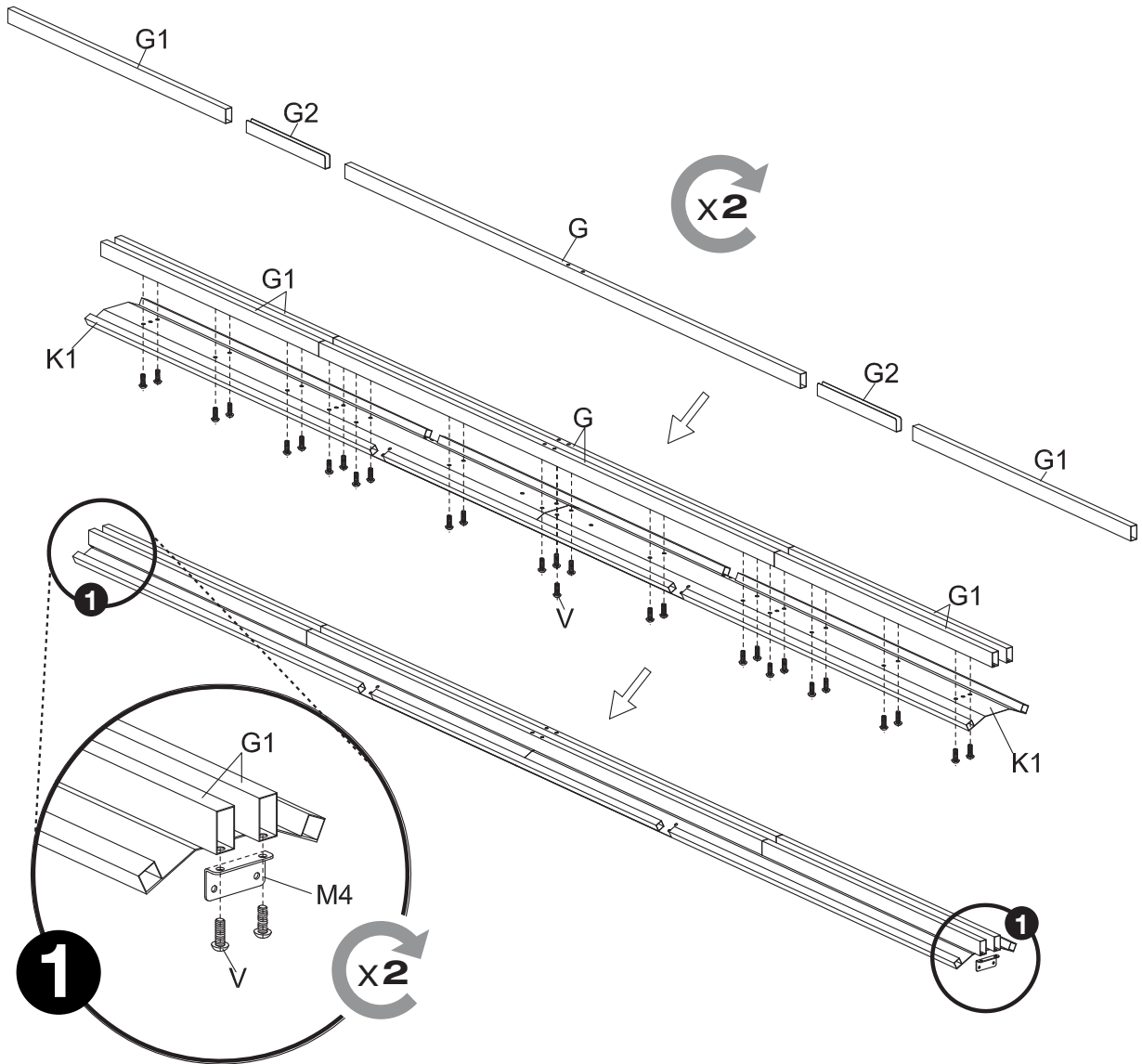
Xx32







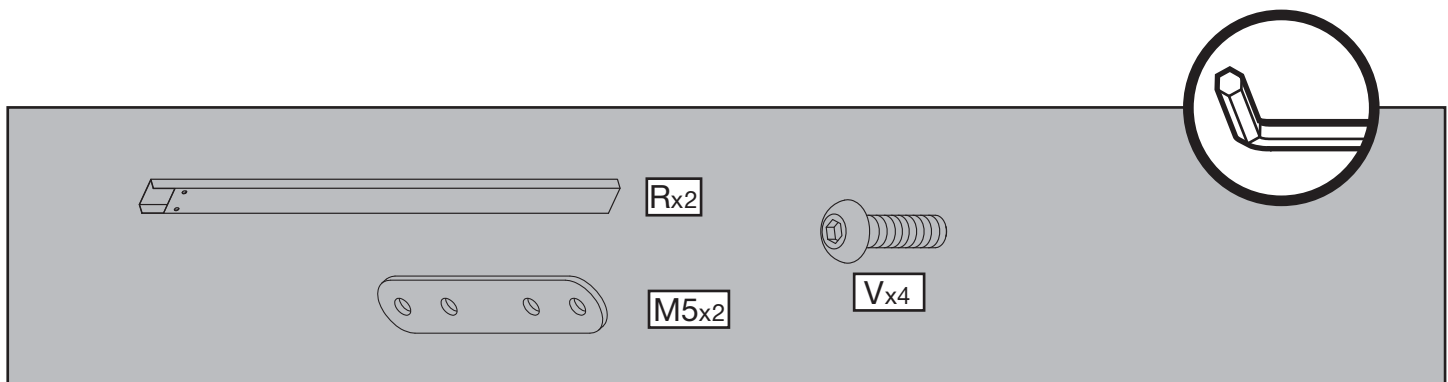
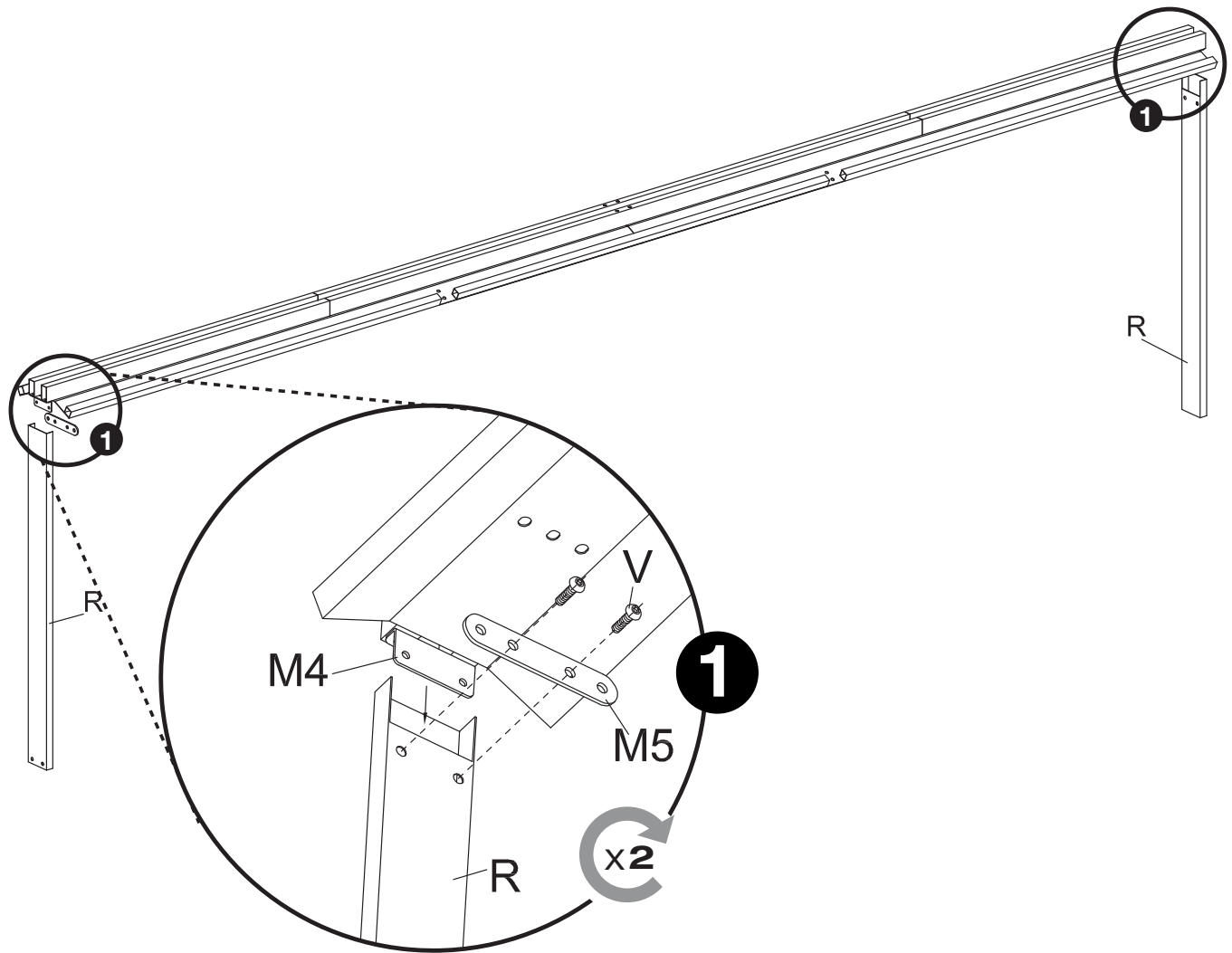


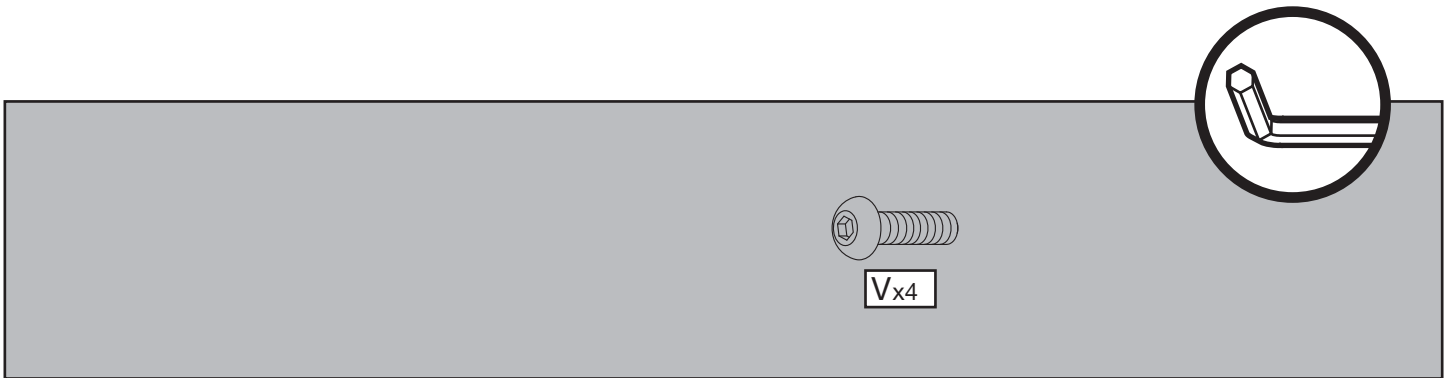
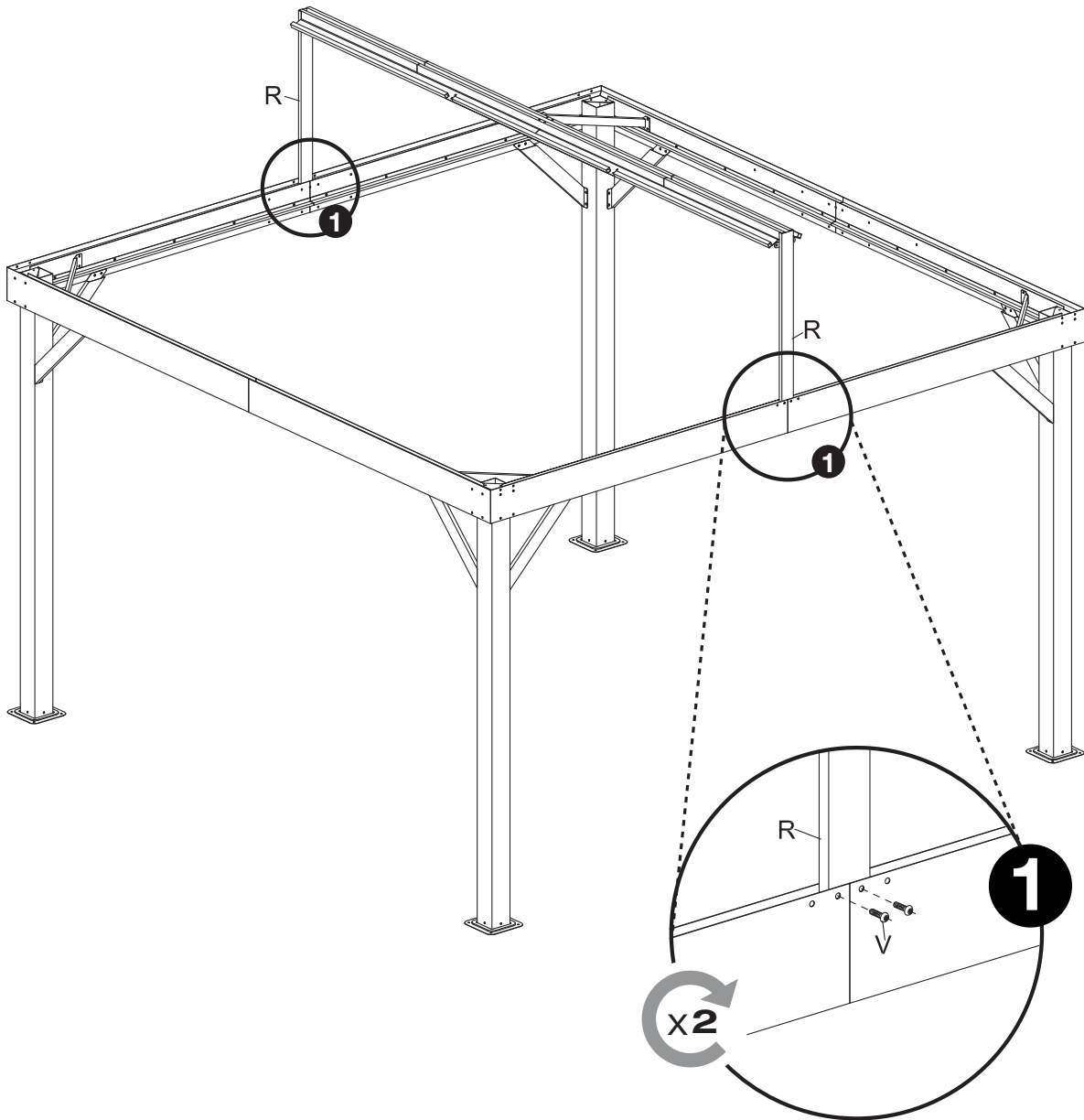


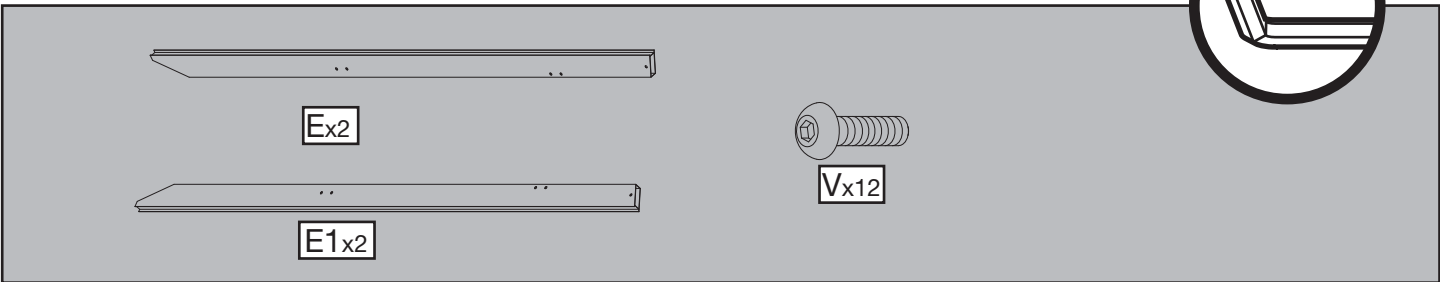
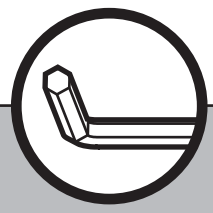
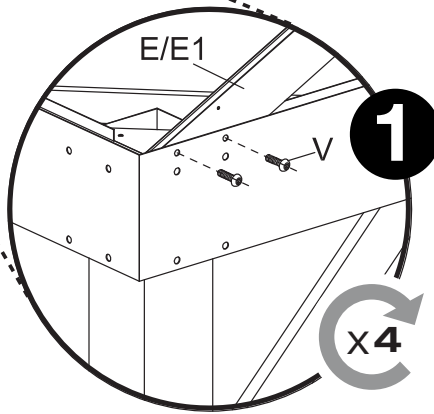
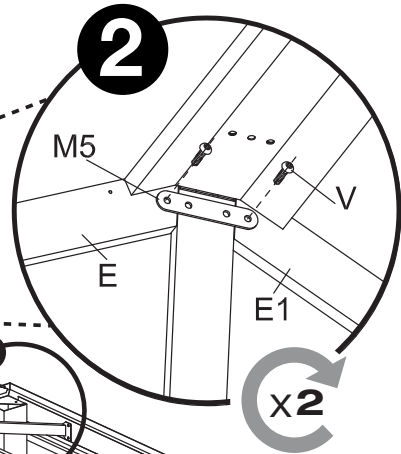
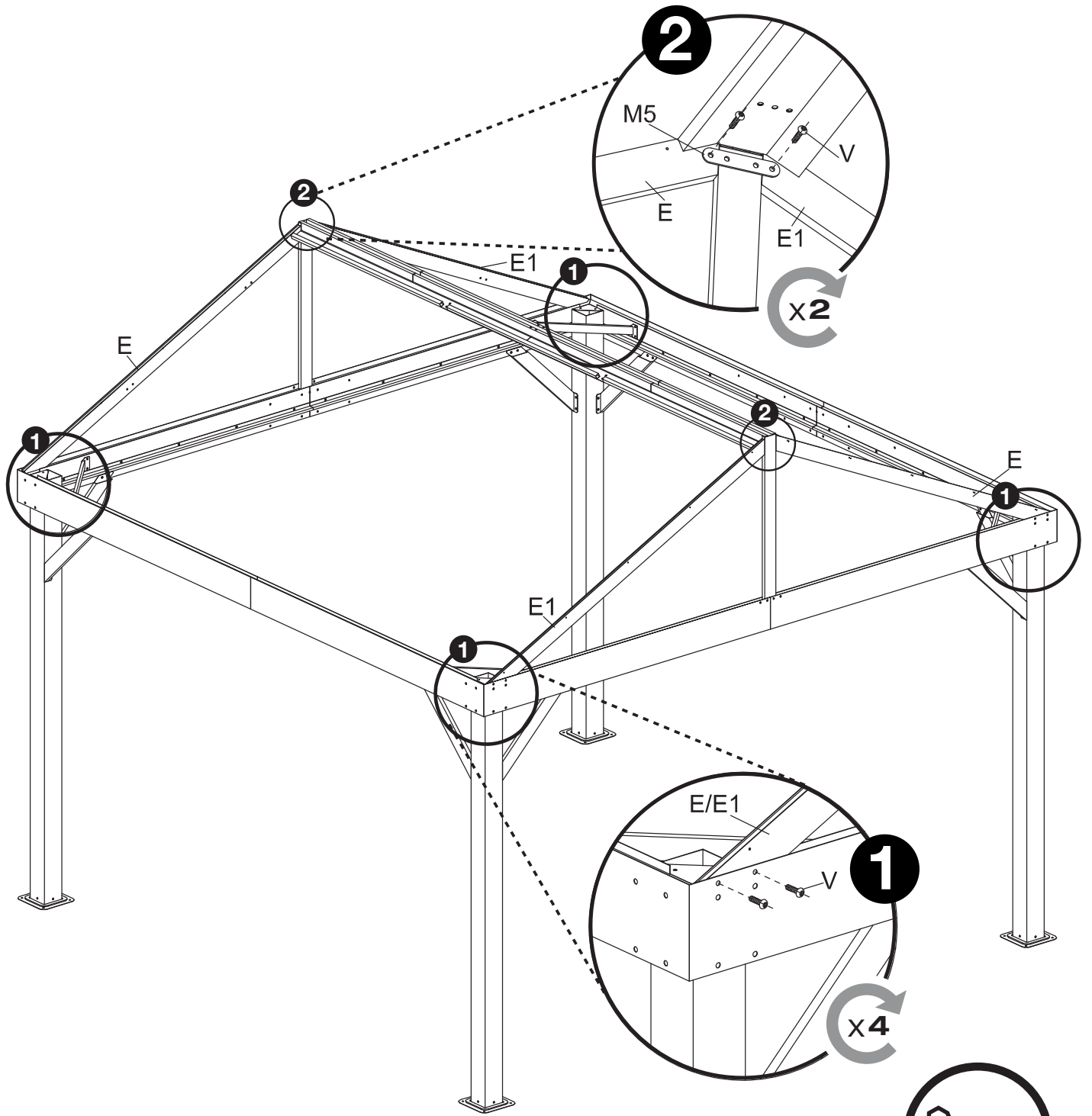
The parts list diagram shows the following components:

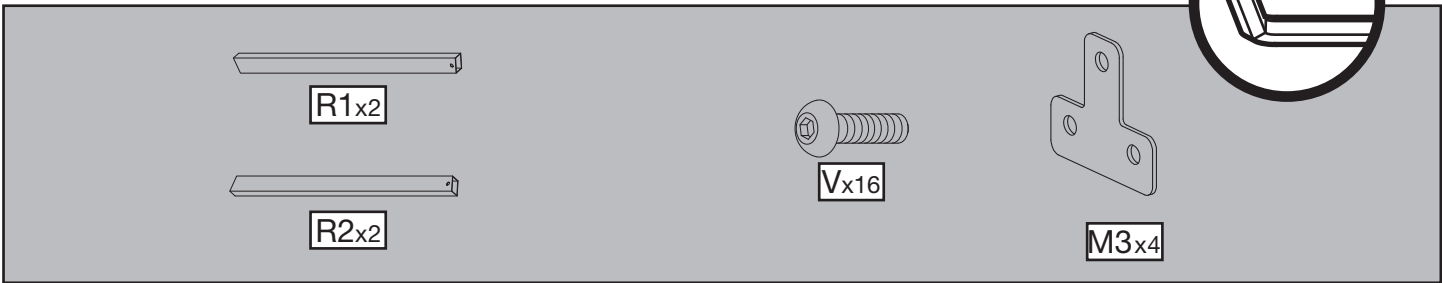
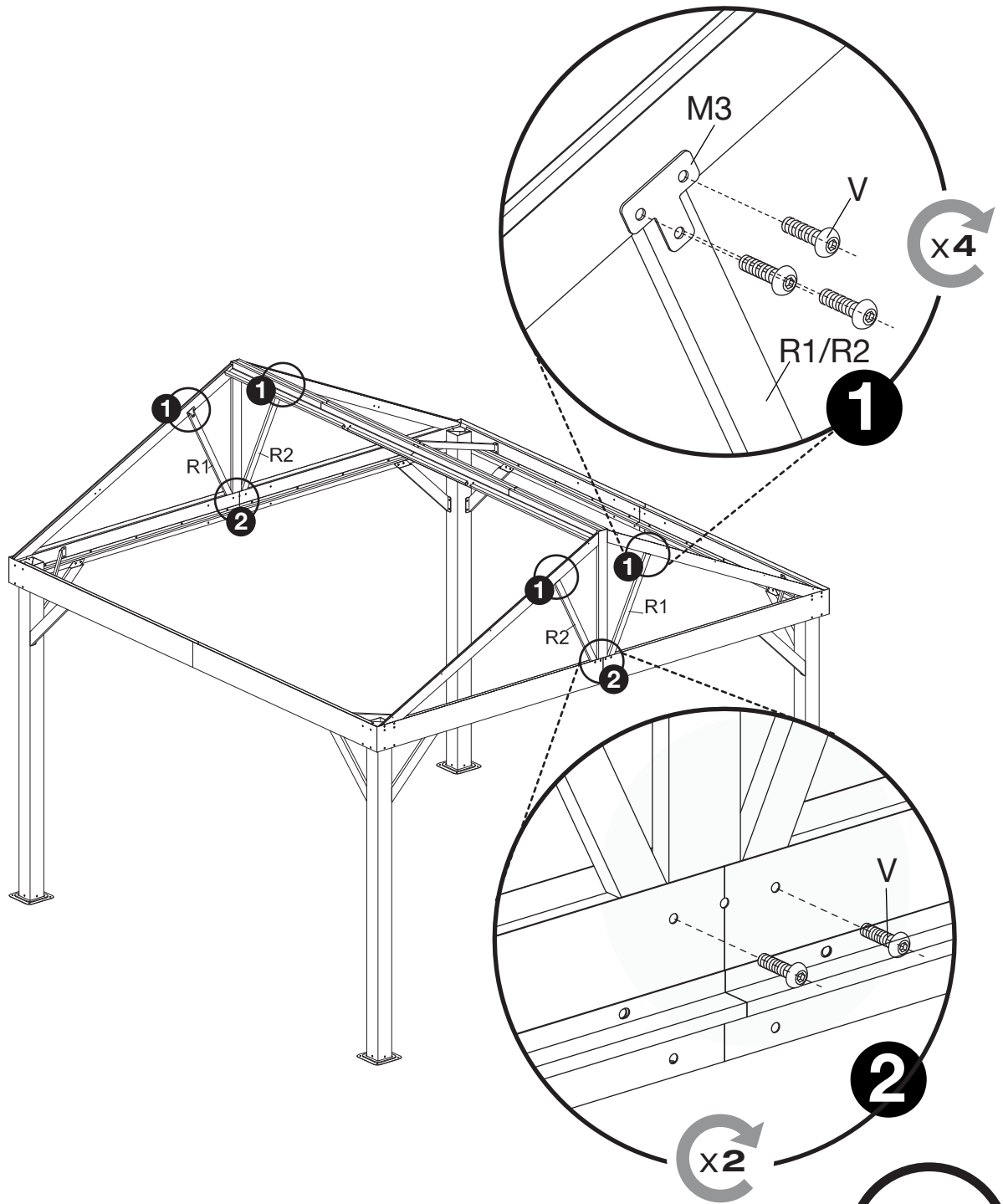
- G2x2**: Two long outer rails.
- G1x4**: Four shorter inner rails.
- G2x4**: Four small support brackets.
- M4x2**: Two metal brackets.
- Vx32**: Two screws.

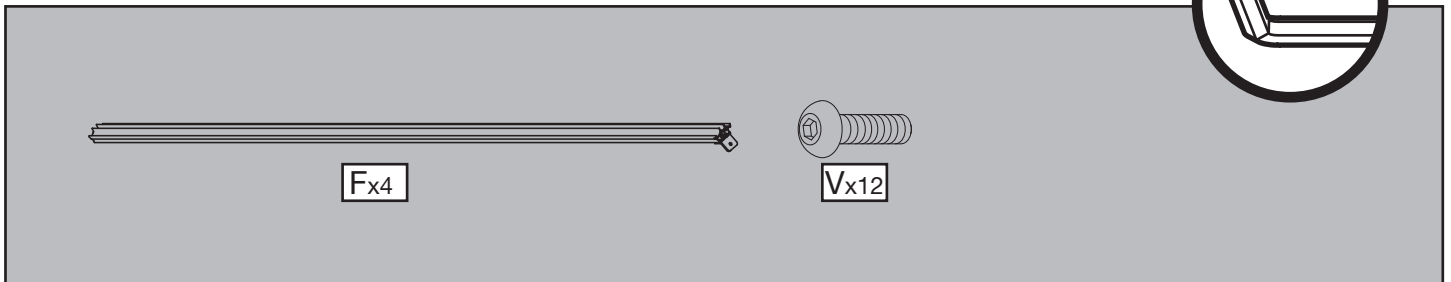
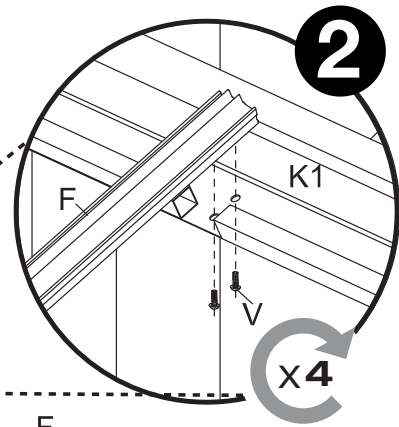
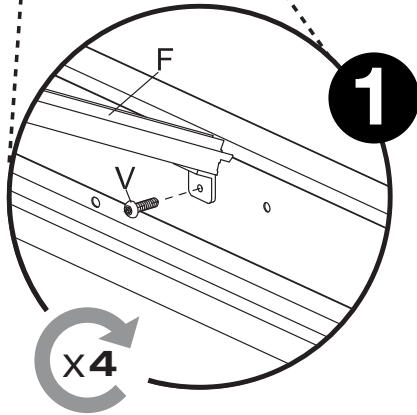
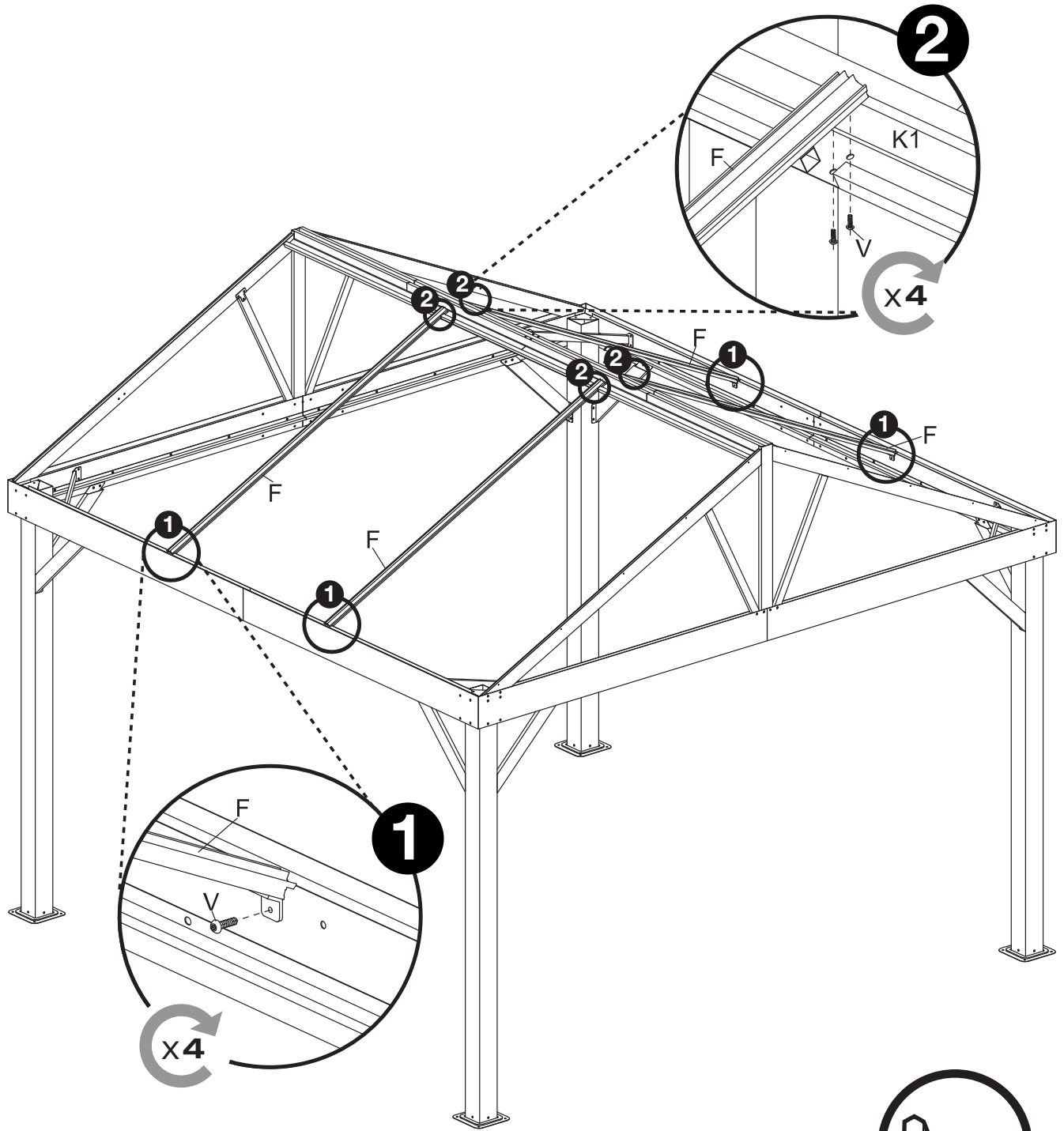
A circular inset shows a detail of the track assembly, highlighting the connection between the rails and the support brackets.

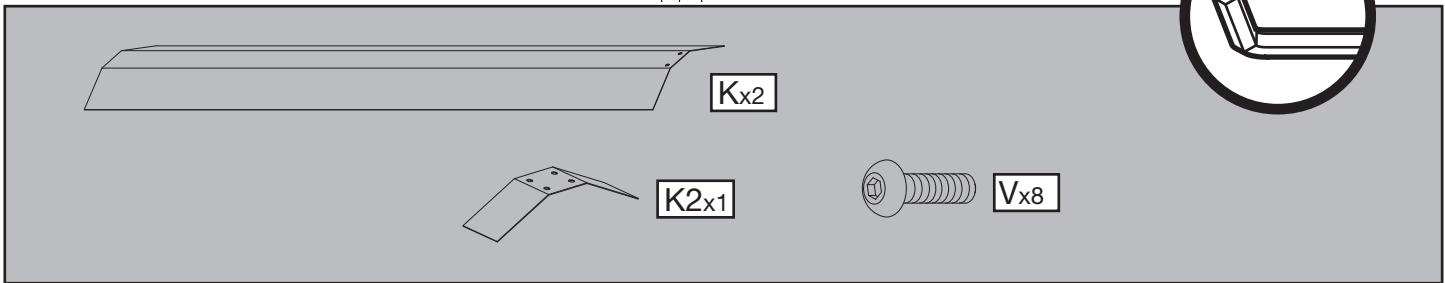
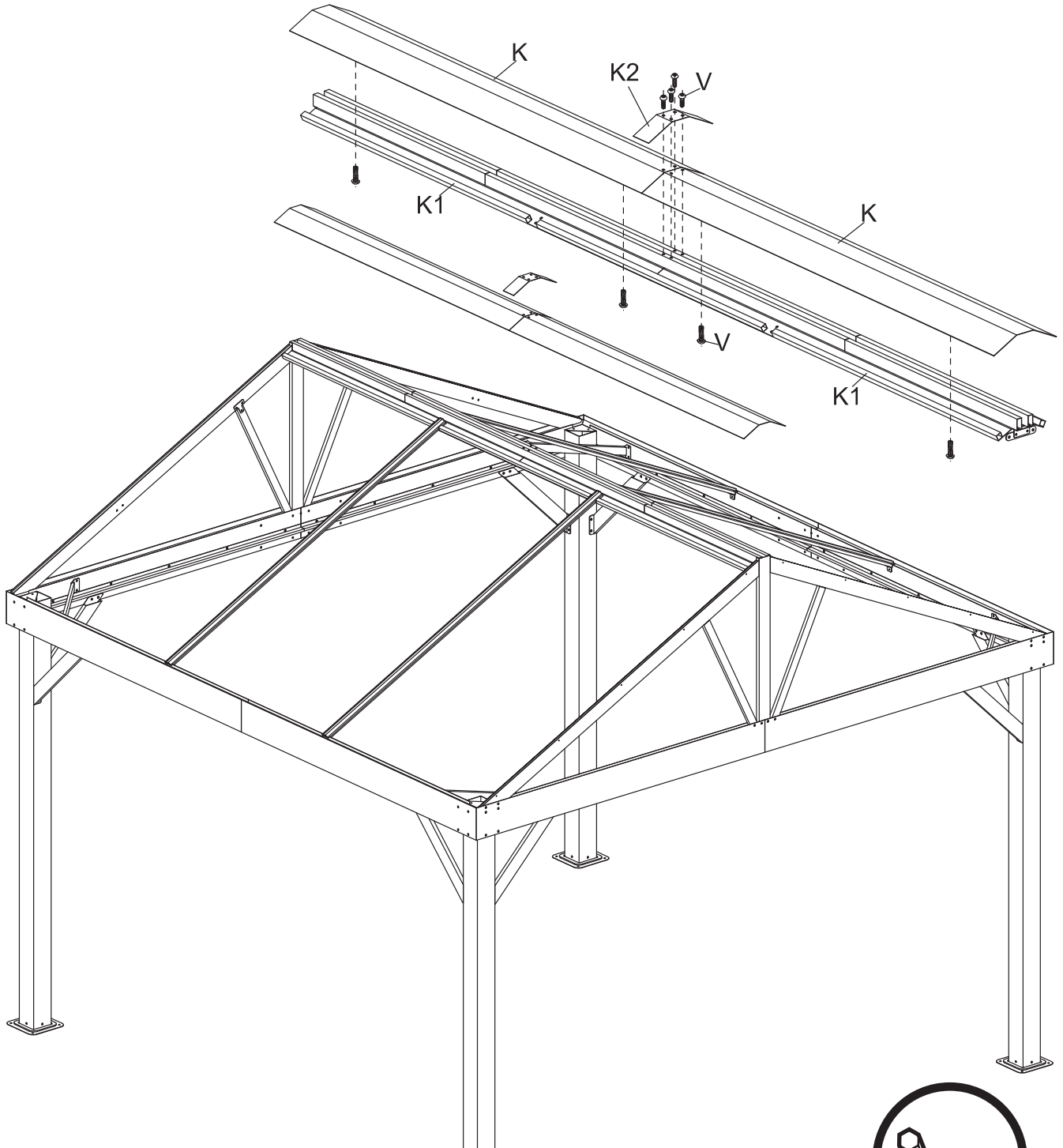


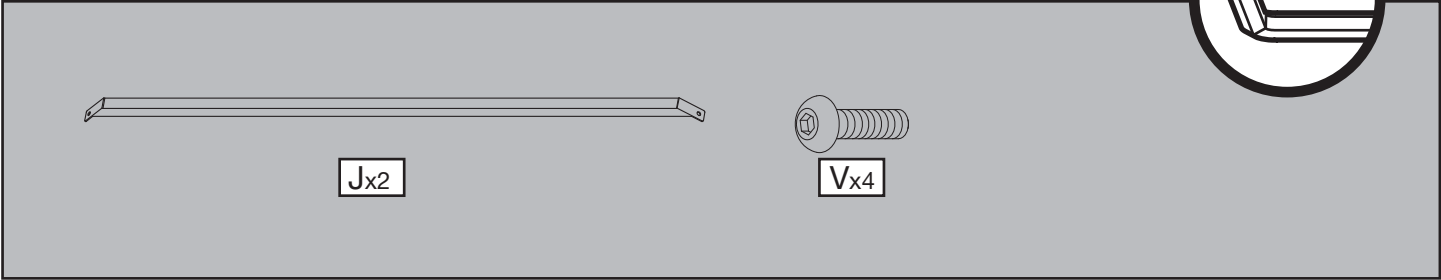
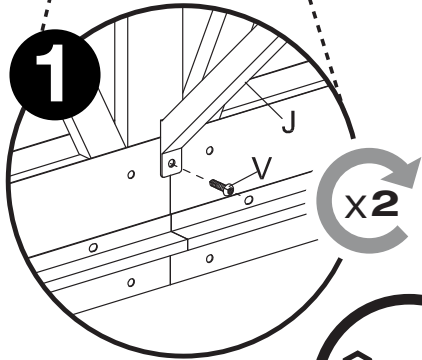
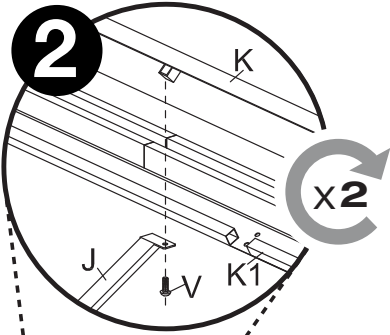
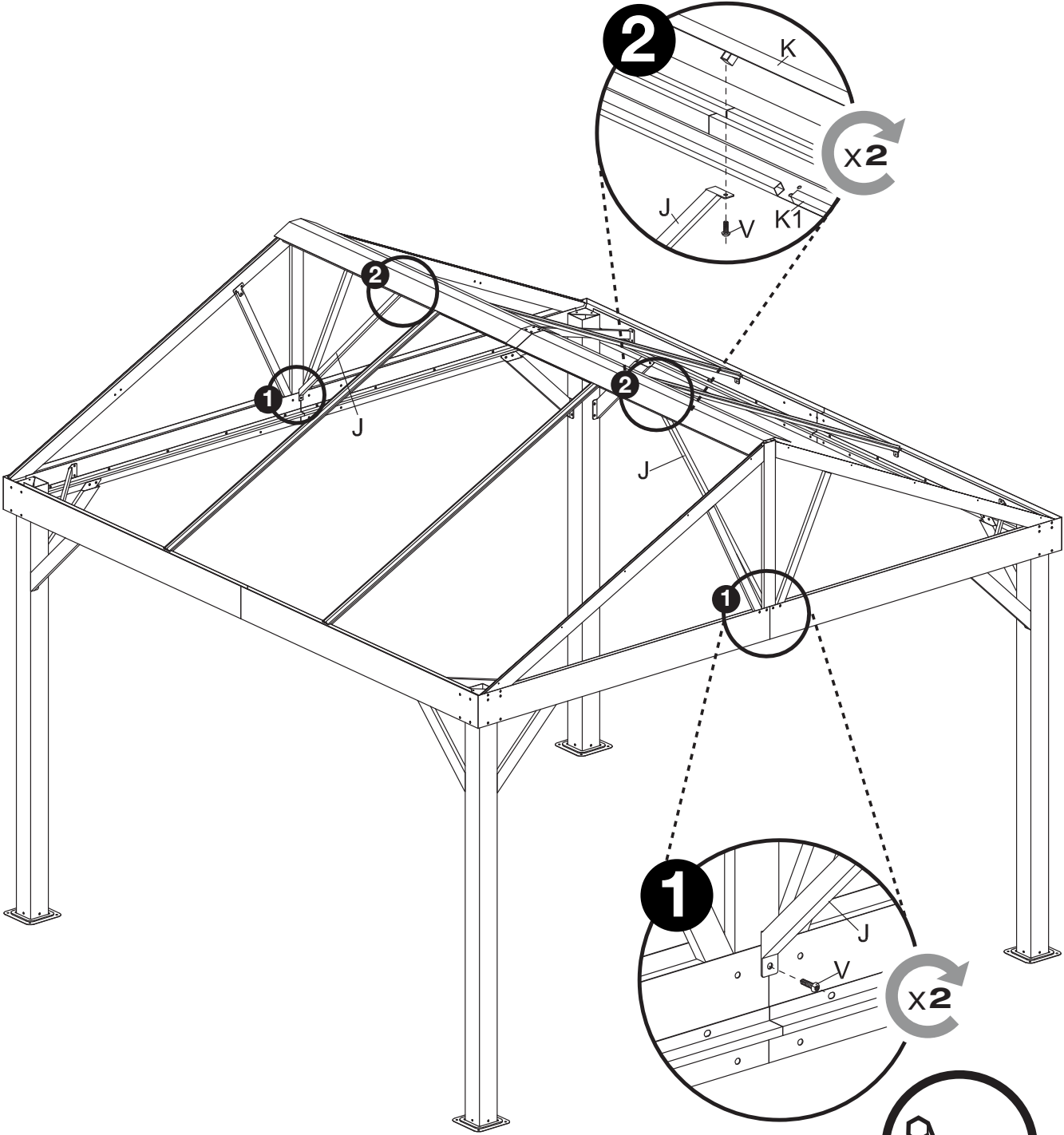


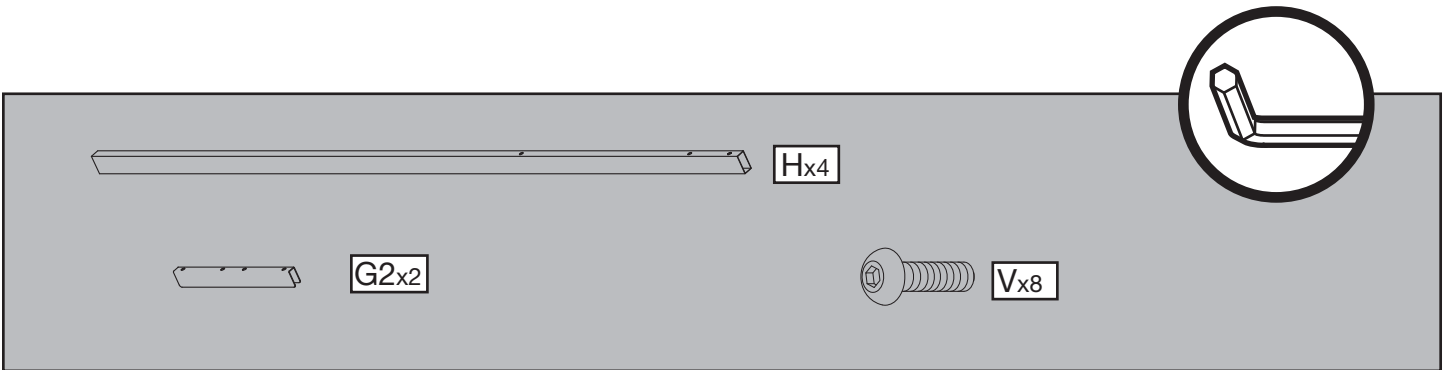
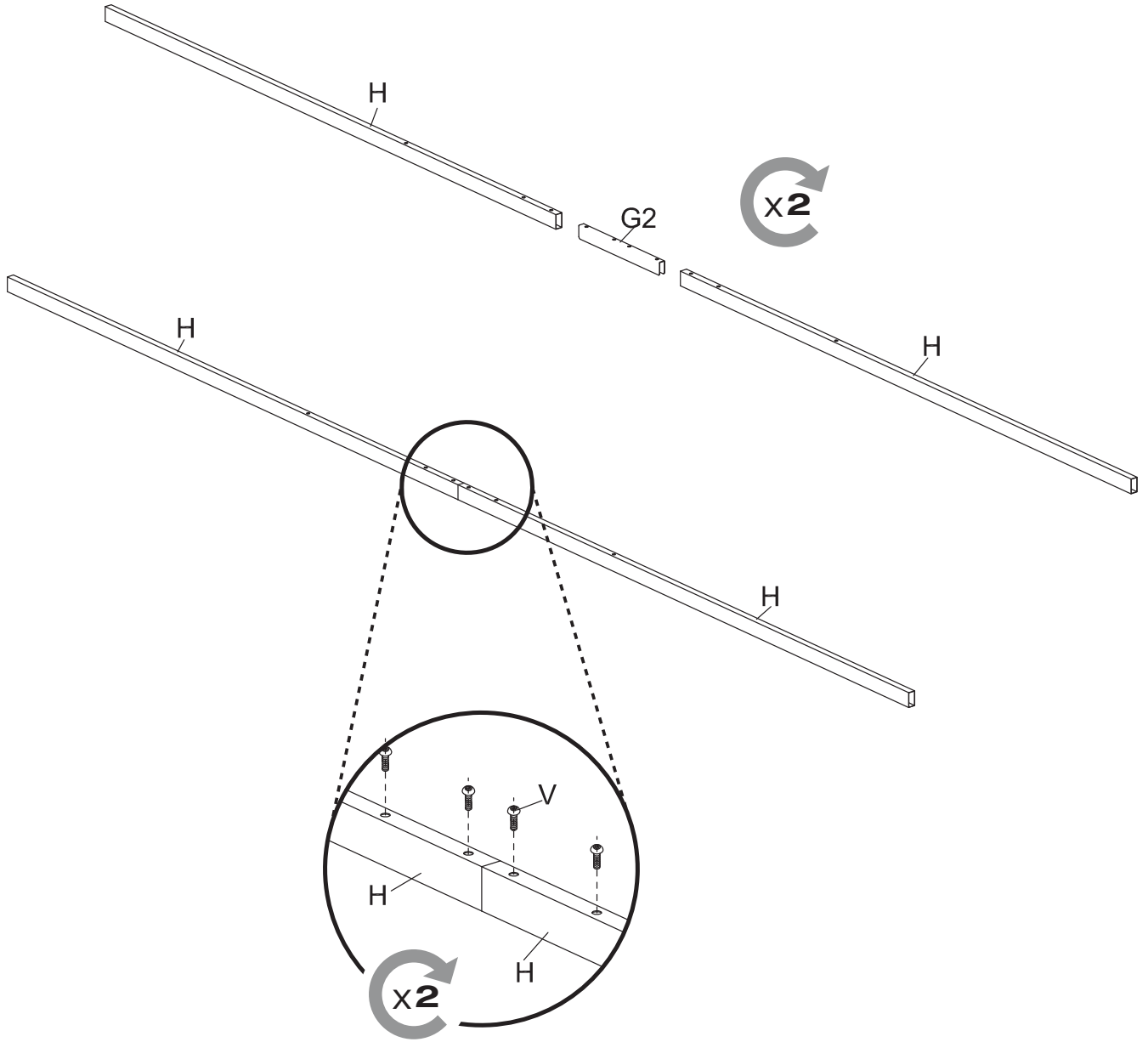


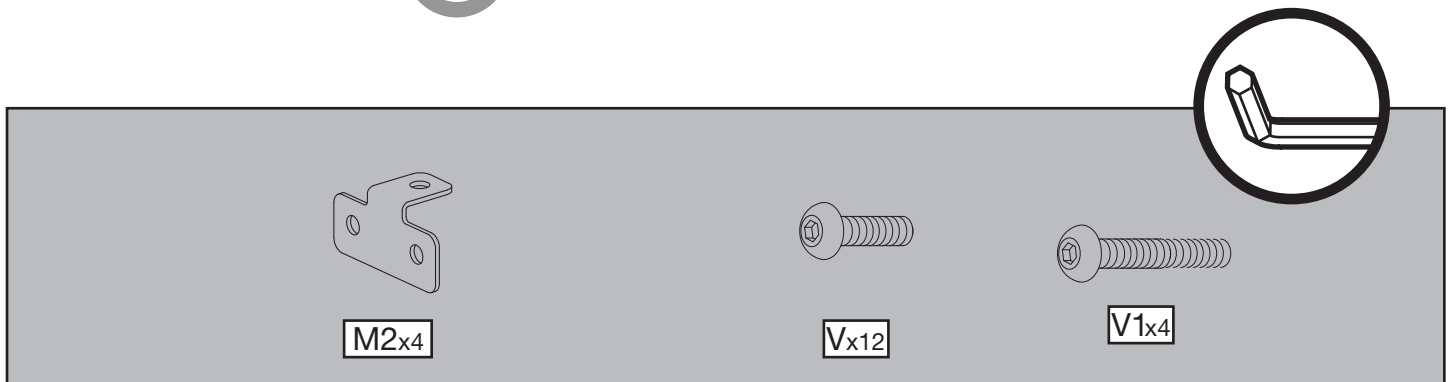
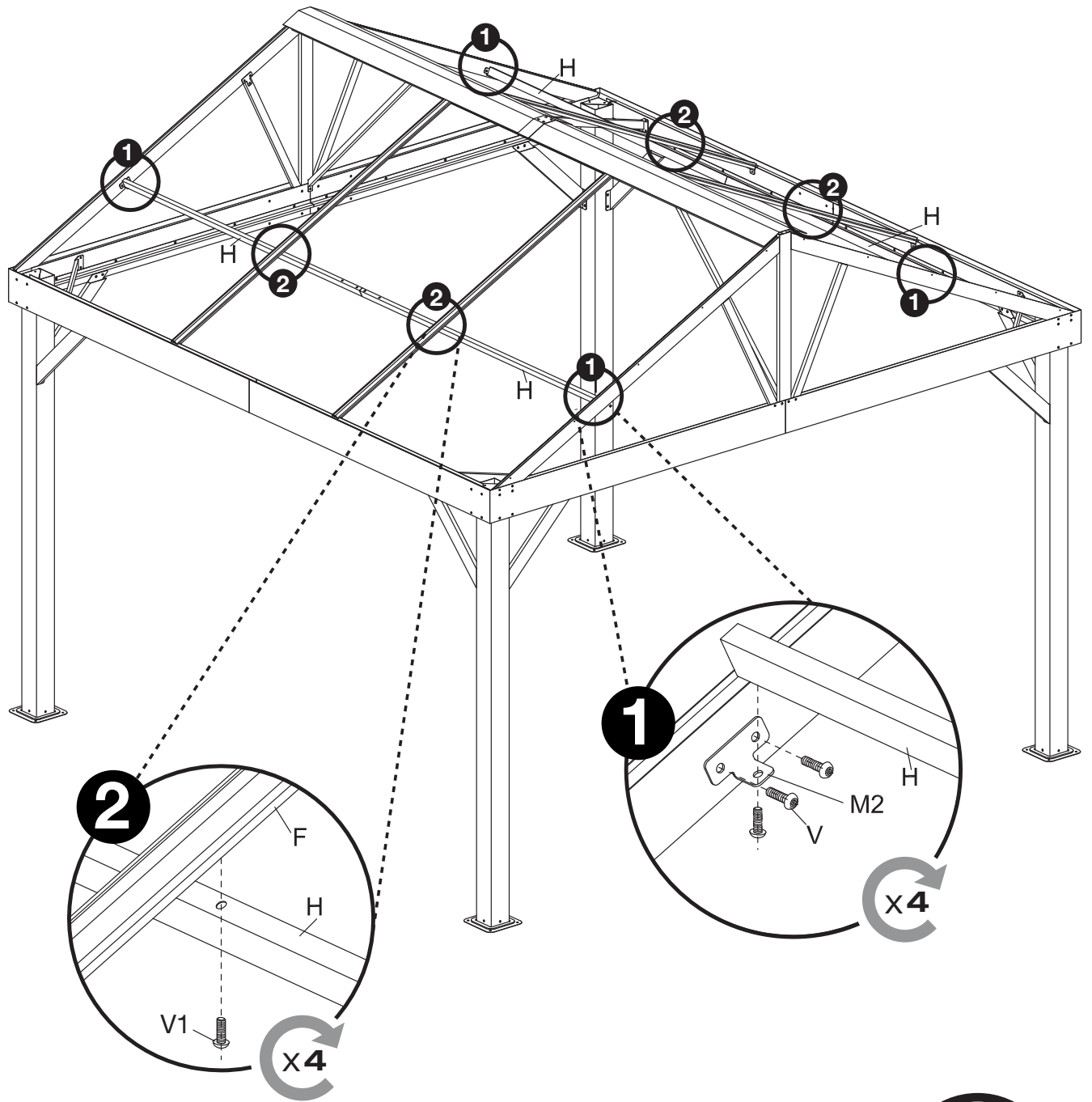


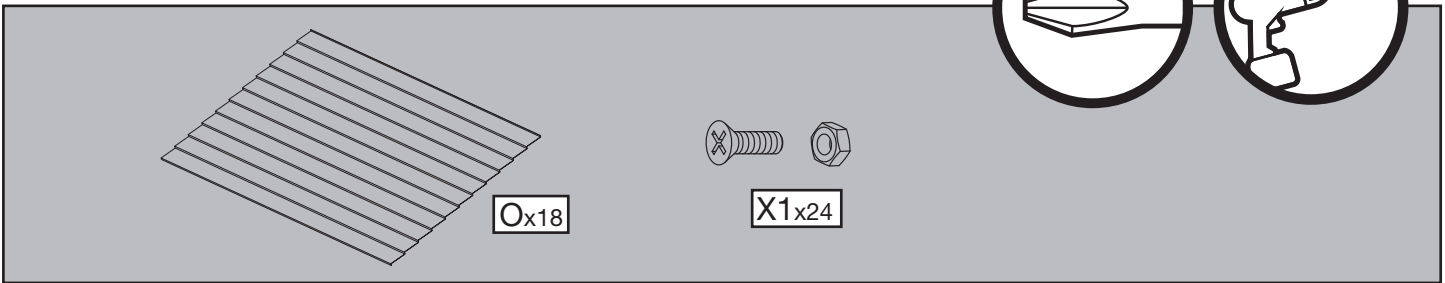
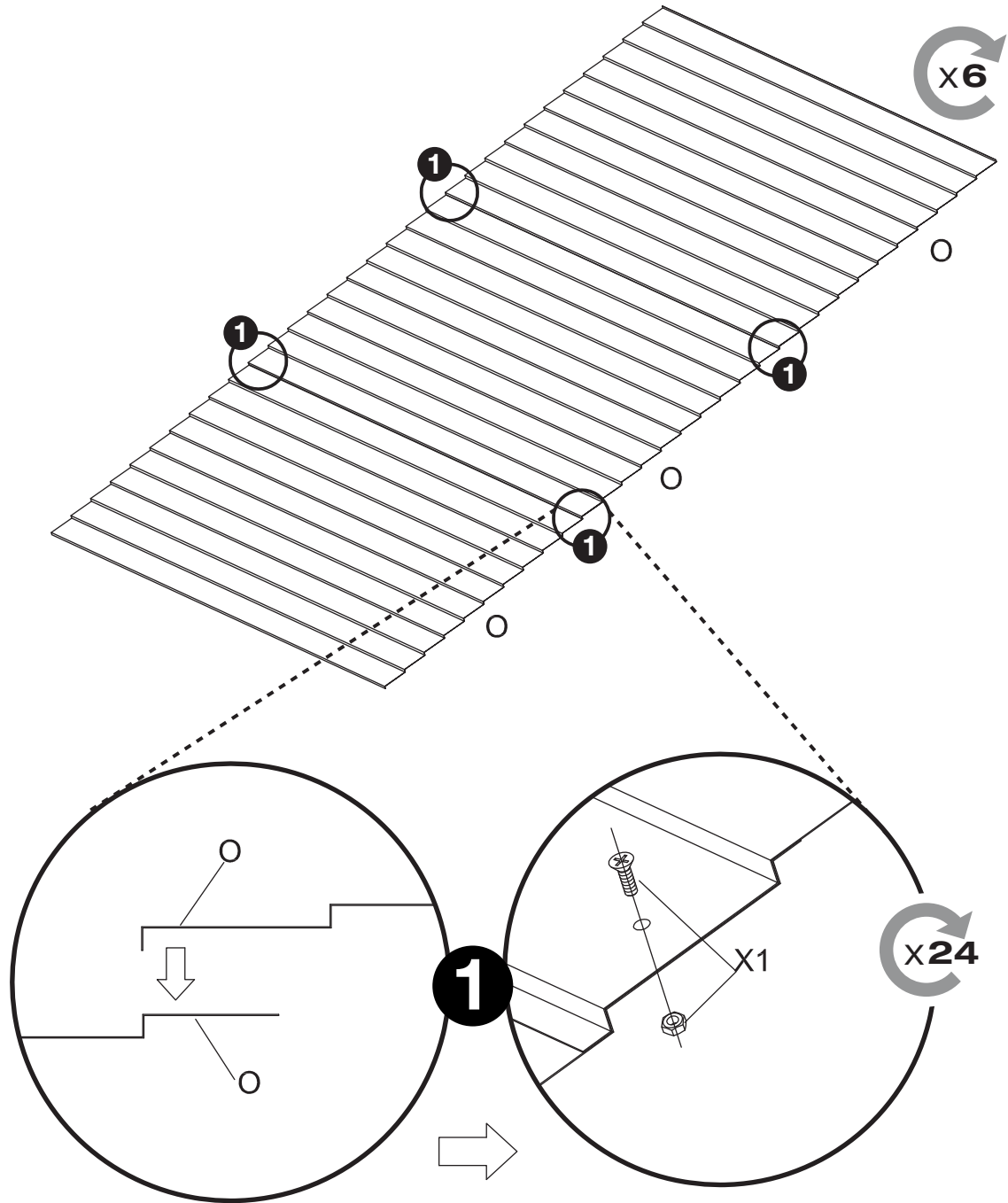


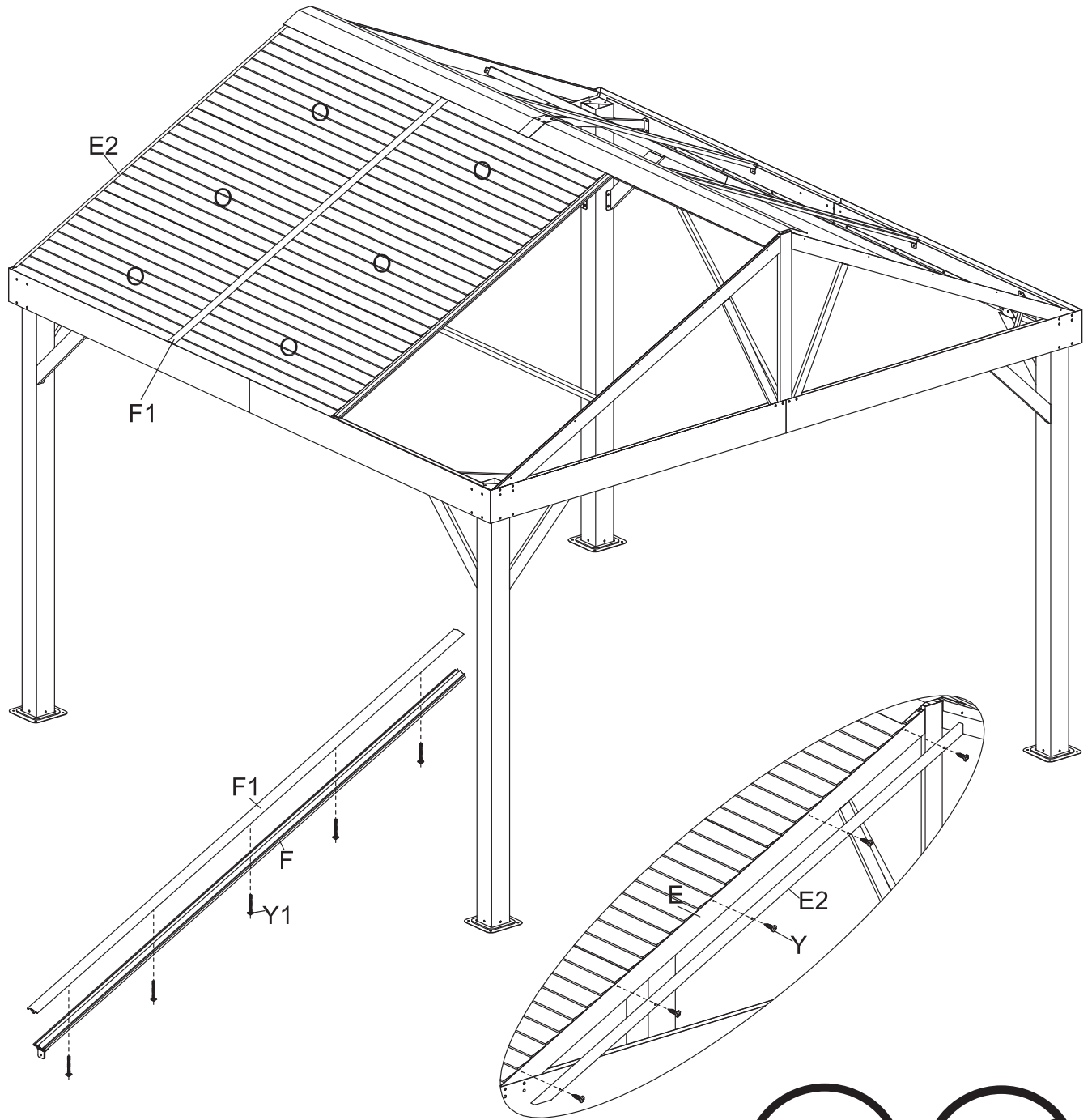




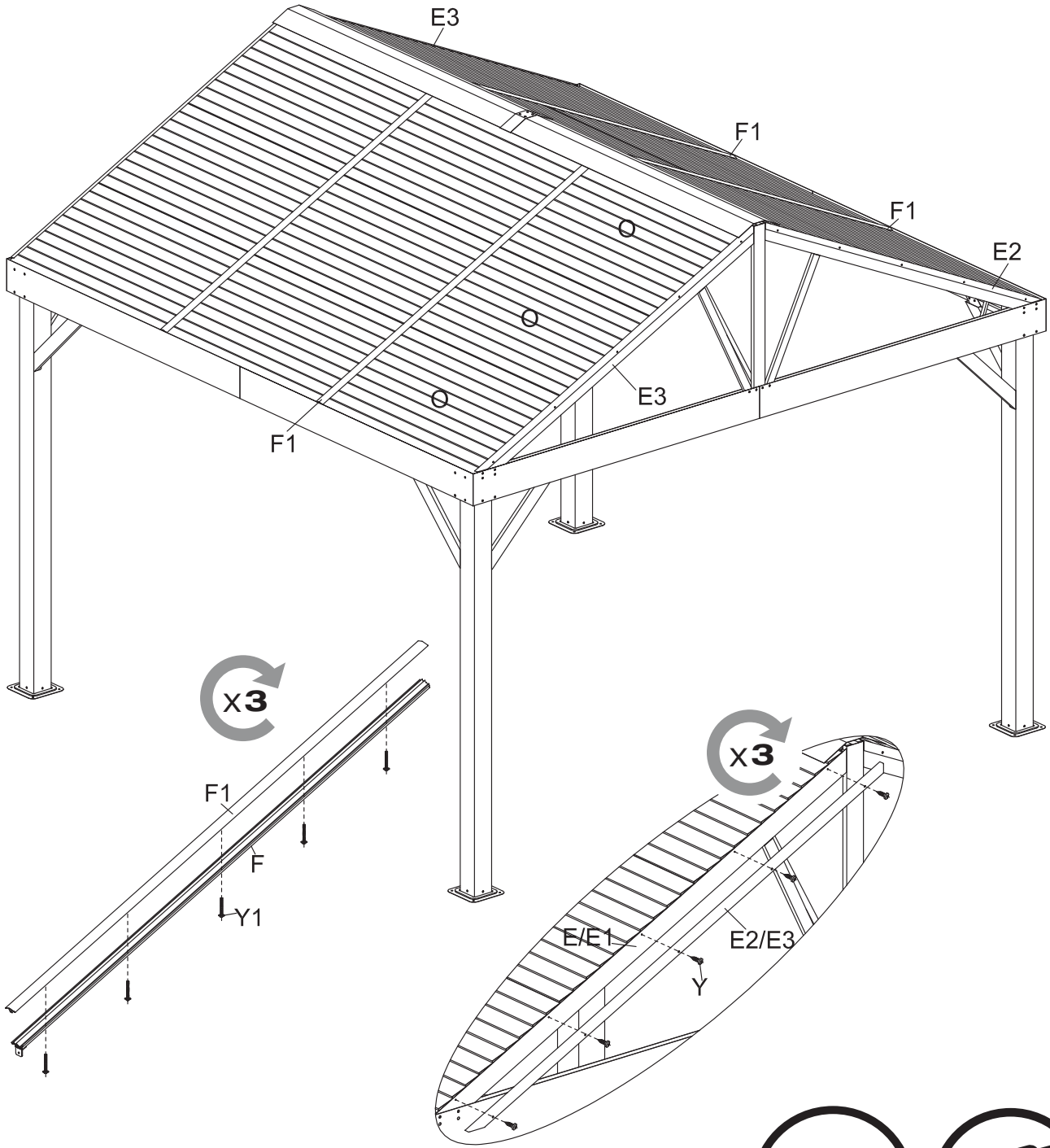




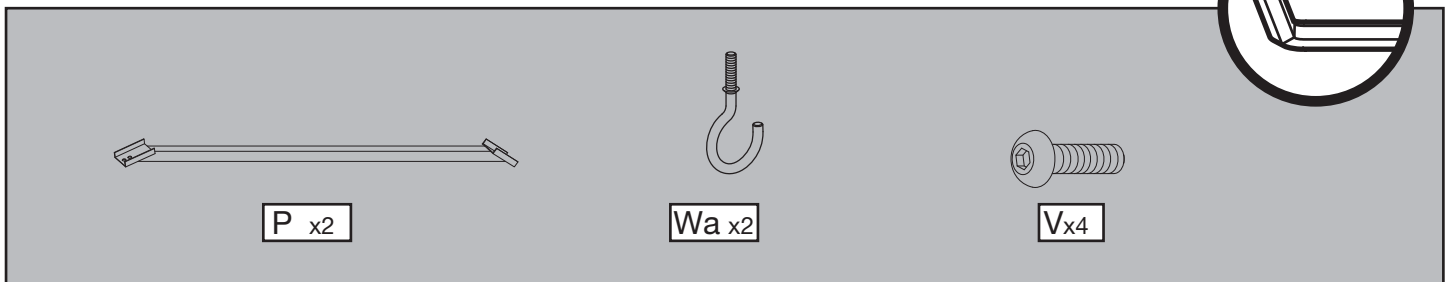
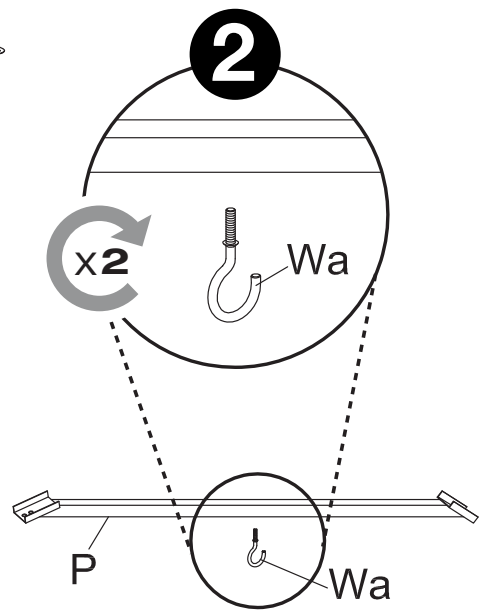
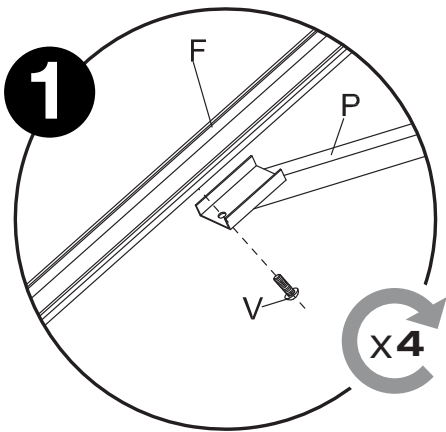
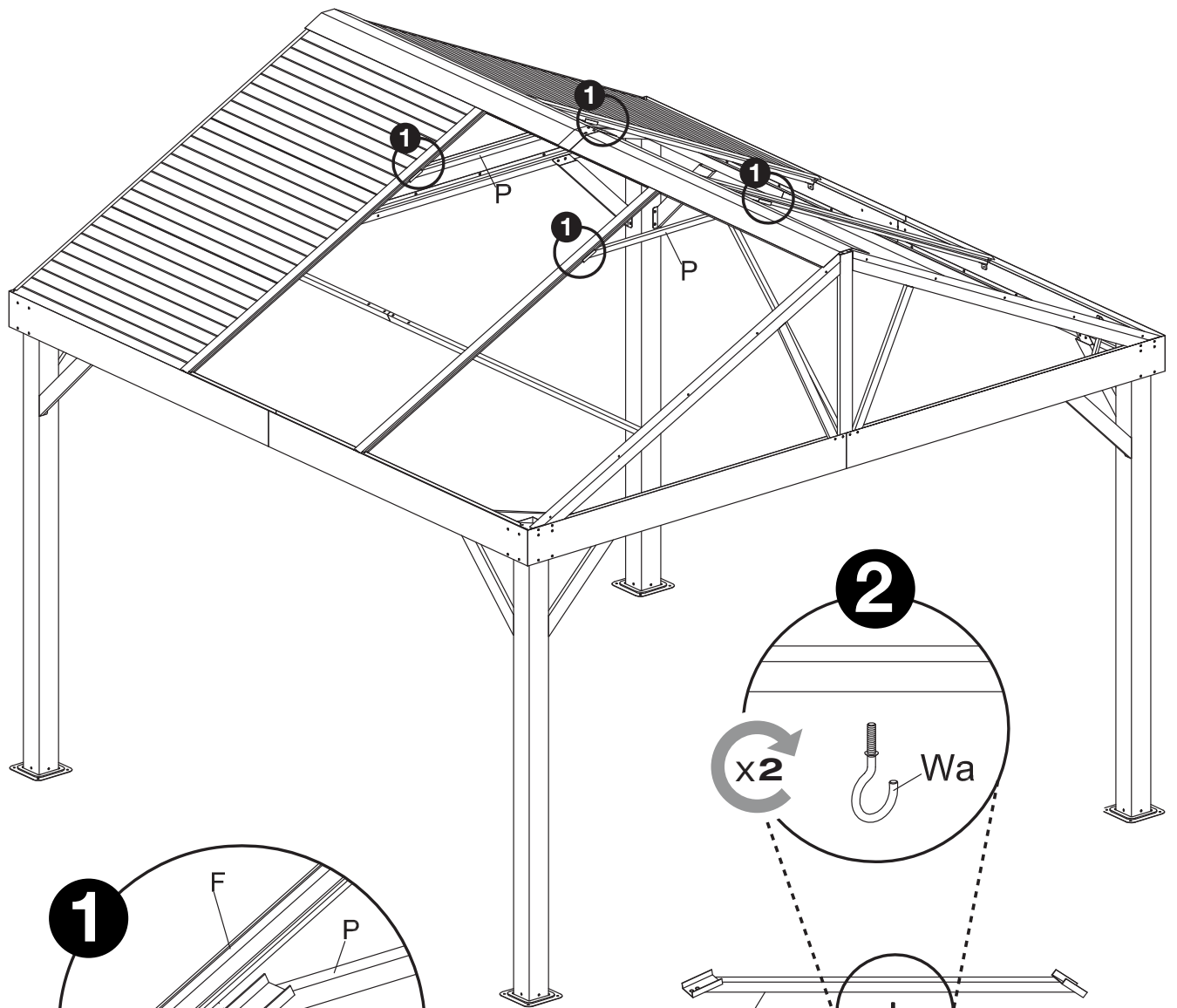


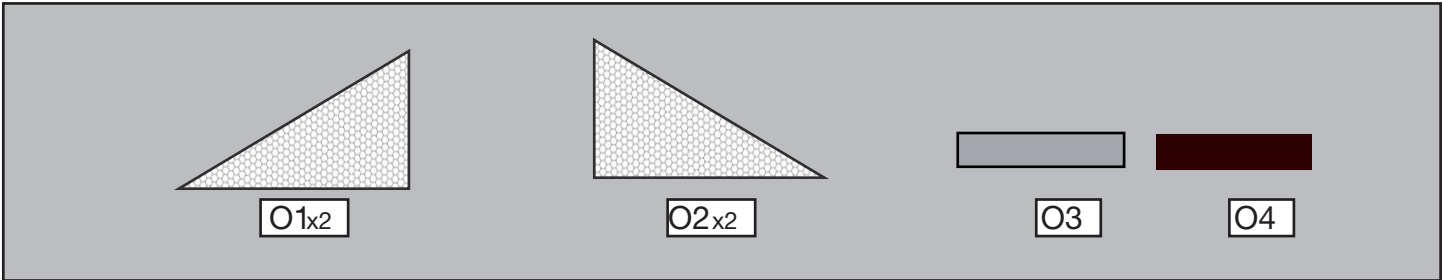
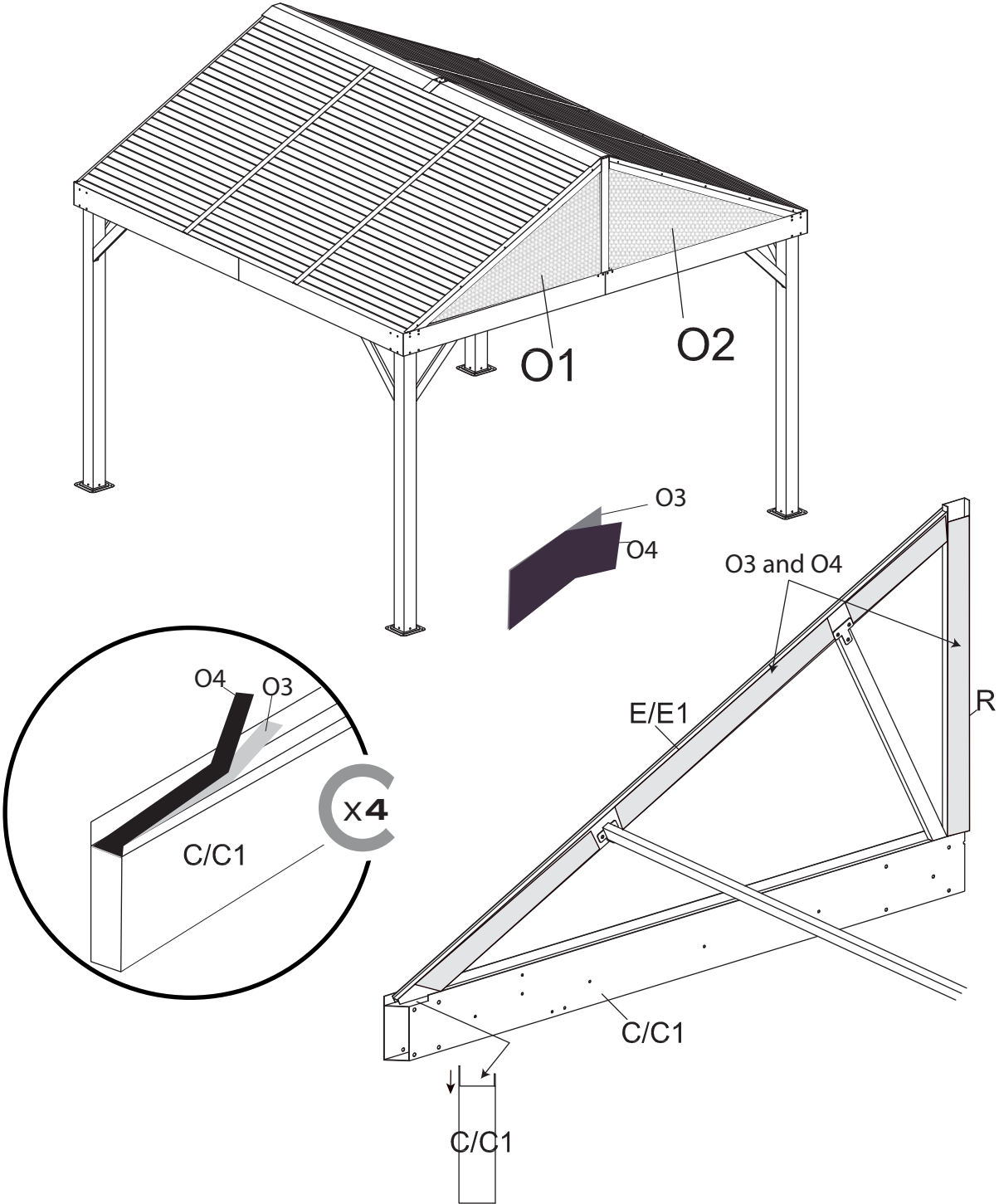


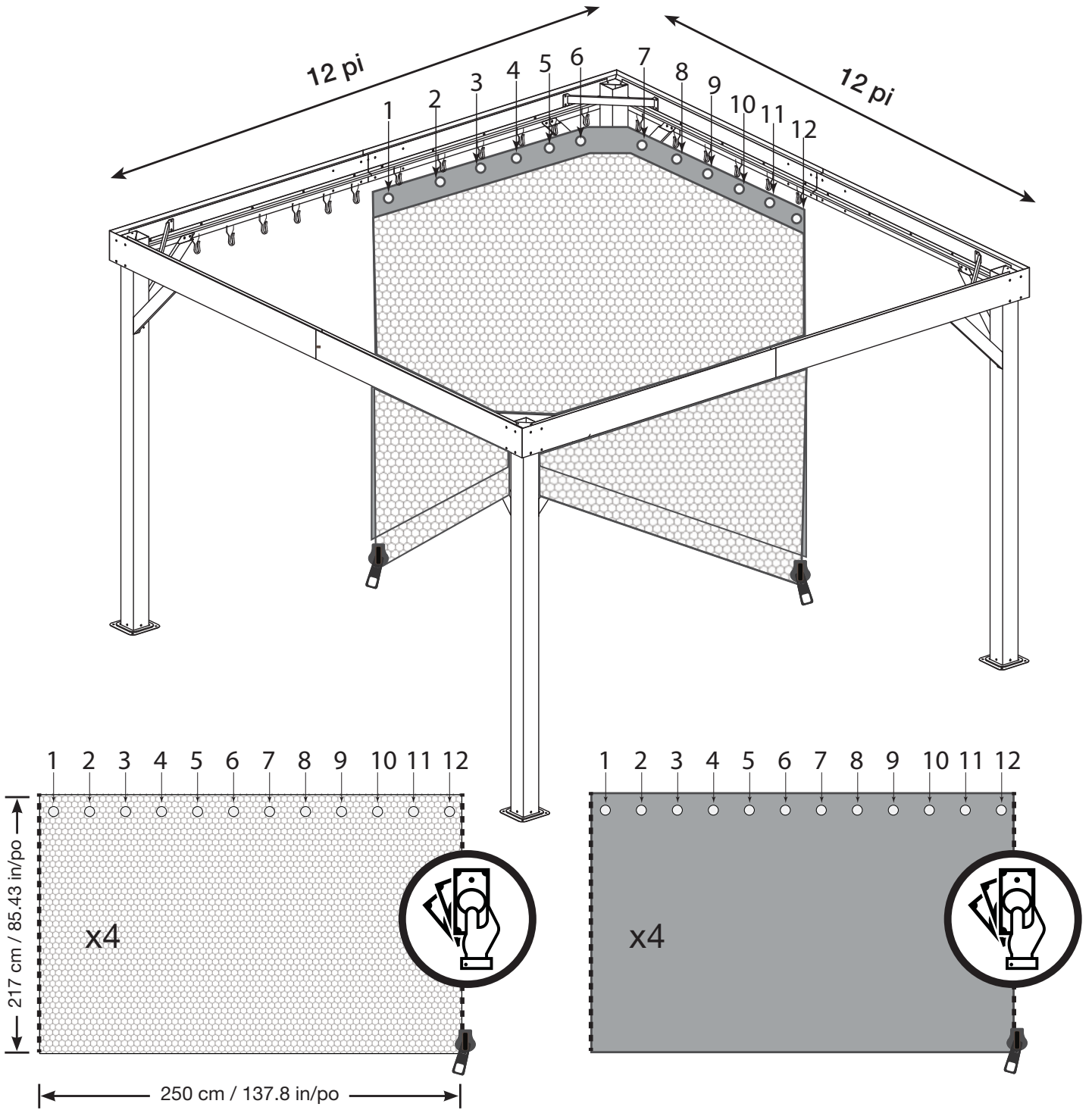
This section contains a parts list and tool icons. On the left, two long beams are shown, labeled E2x1 and F1x1. On the right, there are two circular icons: one showing a bracket Y1 and another showing a power drill. Below these icons are two screws: a larger one labeled Y1x5 and a smaller one labeled Yx5.



	E2x1		
	E3x2		
	F1x3	Y1x15	Yx15







SOJAG ■ I
produits saisonniers • seasonal products