

RIGOL

User's Guide

RP7000S Series
Single-Ended Active Probe

Nov. 2013
RIGOL Technologies, Inc.

Guaranty and Declaration

Copyright

© 2013 RIGOL Technologies, Inc. All Rights Reserved.

Trademark Information

RIGOL is a registered trademark of RIGOL Technologies, Inc.

Publication Number

UGE21101-1110

Notices

- **RIGOL** products are protected by patent law in and outside of P.R.C.
- **RIGOL** reserves the right to modify or change parts of or all the specifications and pricing policies at company's sole decision.
- Information in this publication replaces all previously corresponding materials.
- **RIGOL** shall not be liable for losses caused by either incidental or consequential in connection with the furnishing, use or performance of this manual as well as any information contained.
- Any part of this document is forbidden to be copied or photocopied or rearranged without prior written approval of **RIGOL**.

Product Certification

RIGOL guarantees this product conforms to the national and industrial standards in China as well as the ISO9001:2008 standard and the ISO14001:2004 standard. Other international standard conformance certification is in progress.

Contact Us

If you have any problem or requirement when using our products or this manual, please contact RIGOL Technologies, Inc.

E-mail: service@rigol.com

Website: www.rigol.com

Safety Terms and Symbols

Terms in this Manual. The following terms may appear in this manual:



WARNING

Warning statements indicate the conditions or practices that could result in injuries or loss of life.



CAUTION

Caution statements indicate the conditions or practices that could result in damage to this product or loss of data.

Terms on the Product. The following terms may appear on the product:

DANGER indicates a hazard may immediately happen.

WARNING indicates potential hazard may happen.

CAUTION indicates damage to the instrument or other devices connected to the instrument may happen.

Symbols on the Product. The following symbols may appear on the product:



High Voltage



Safety Warning



Protective Earth terminal



Chassis Ground



Test Ground

Document Overview

This document is used to guide users to get a quick understanding of the RP7000S series single-ended active probe as well as its using method. Besides, this document gives service information relating to general care and cleaning.

RP7000S series single-ended active probe includes the following model.

Model	Bandwidth
PR7150S	>1.5GHz
PR7080S	>800MHz

Main topics in this manual:

- **RP7000S Series Overview**

This chapter gives a brief introduction of the probe, including general inspection, probe dimensions, standard accessories etc.

- **To Use RP7000S Series**

This chapter introduces how to use the probe, including how to connect to the oscilloscope, how to use the probe head, how to replace probe accessories, how to adjust the offset voltage, how to calibrate the probe etc.

- **General Care and Cleaning**

- **Warranty**

- **Specifications**

Contents

- Guaranty and Declaration I**
- Safety Terms and Symbols II**
- Document Overview III**
- RP7000S Series Overview 1**
 - Probe Introduction 2
 - General Inspection 2
 - Probe Dimensions 3
 - Accessories and Options 4
 - Active Probe Amplifier 6
 - Probe Head 7
- To Use RP7000S Series 9**
 - To Connect to the Oscilloscope 10
 - To Use Hand-held Single-ended Probe Head 12
 - To Replace Probe Accessories 13
 - To Adjust Offset Voltage 14
 - To Calibrate the Probe 14
- General Care and Cleaning 16**
- Warranty 17**
- Specifications 18**

RP7000S Series Overview

This chapter guides users to quickly get familiar with the RP7000S series single-ended active probe.

Main topics:

- **Probe Introduction**
- **General Inspection**
- **Probe Dimensions**
- **Accessories and Options**
- **Active Probe Amplifier**
- **Probe Head**

Probe Introduction

RP7000S is a single-ended active probe solution for high frequency application. RP7000S uses plug-in probe head to optimize the performance and usability. Besides, its replaceable probe tip prolongs the service life of the probe and the spacing between probe tip and ground collar can be precisely adjusted to fit different test point spacing. RP7000S is compatible with the auto-identification port of **RIGOL** DS6000/DS4000 series oscilloscope and can be recognized and configured automatically by this port. Its snap-in BNC connector enables easier connection with the oscilloscope. RP7000S provides various accessories and options and multiple replaceable components which make it applicable to be used in different tests and measurements.

General Inspection

1. Inspect the shipping container for damage.

If your shipping container appears to be damaged, keep the shipping container or cushioning material until you have inspected the contents of the shipment for completeness and have checked the probe electrically and mechanically.

If your probe has damaged during shipping, please contact your shipper and carrier for compensation. **RIGOL** will provide no free repair or replacement.

2. Inspect the probe.

If there is any mechanical damage or defect, or if the probe does not pass electrical and mechanical tests, please contact your **RIGOL** sales representative.

3. Check the Accessories.

Please check the accessories according to **Accessories and Options** in this guide. If the accessories are incomplete or damaged, please contact your **RIGOL** sales representative.

Probe Dimensions

Figure 1 shows the dimensions of the main parts of RP7000S series single-ended active probe.

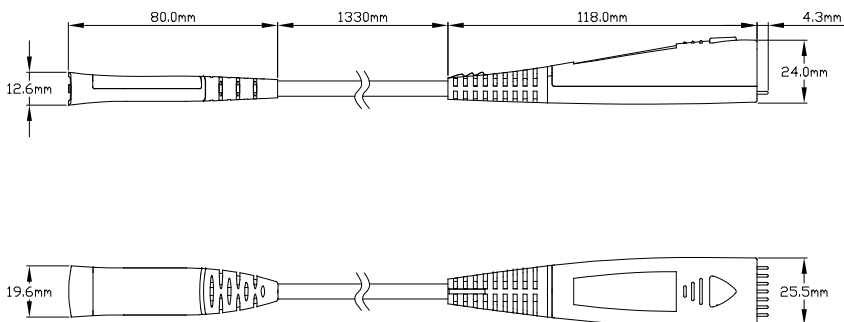


Figure 1 Probe Dimensions

Accessories and Options

This section lists the probe kits, standard accessories of the RP7000S series single-ended active probe respectively. All the components listed below can be ordered from **RIGOL**. RP7150S Single-ended Active Probe Kit (the ordering number is RP7150S) contains all the accessories listed in **Table 1**. If any accessory or option needs to be ordered separately, please refer to **Table 1**. RP7080S Single-ended Active Probe Kit (the ordering number is RP7080S) contains all the accessories listed in **Table 2**. If any accessory or option needs to be ordered separately, please refer to **Table 2**.

Table 1 Standard Accessories of RP7150S Single-Ended Active Probe Kit
(Ordering No. is RP7150S)

Name	Ordering NO.	Qty
PCK100 Active Differential Probe Calibration Kit	PCK100	1
RP7150S Single-ended Active Probe Amplifier	RP7S-0150	1
Hand-held Single-ended Probe Head	RP7S-0205	1
91Ω Probe Tip	RP7-0405	9
Straight Acuminate Ground Collar	RP7-0501	2
Curved Acuminate Ground Collar	RP7-0502	2
Straight Dentiform Ground Collar	RP7-0503	2
Curved Dentiform Ground Collar	RP7-0504	2
Marker Rings (Yellow/Pink/Light Blue/Dark Blue)	RP-0203	8
User's Guide	RP7S-0601	1
Probe Bag	RP7-0602	1
Storage Box	RP7-0603	1

Table 2 Standard Accessories of RP7080S Single-Ended Active Probe Kit
(Ordering No. is RP7080S)

Name	Ordering NO.	Qty
PCK100 Active Differential Probe Calibration Kit	PCK100	1
RP7080S Single-ended Active Probe Amplifier	RP7S-0080	1
Hand-held Single-ended Probe Head	RP7S-0205	1
91Ω Probe Tip	RP7-0405	9
Straight Acuminate Ground Collar	RP7-0501	2
Curved Acuminate Ground Collar	RP7-0502	2
Straight Dentiform Ground Collar	RP7-0503	2
Curved Dentiform Ground Collar	RP7-0504	2
Marker Rings (Yellow/Pink/Light Blue/Dark Blue)	RP-0203	8
User's Guide	RP7S-0601	1
Probe Bag	RP7-0602	1
Storage Box	RP7-0603	1

Note: the accessories listed in this section are only for reference, the actual product is the standard.

Active Probe Amplifier

The active probe amplifier (**Figure 2**), with more than 1.5GHz bandwidth, is a main component of the active probe. One end of the active probe amplifier can be connected to the DS6000 and DS4000 series oscilloscope and the other end can be connected to the desired probe head.

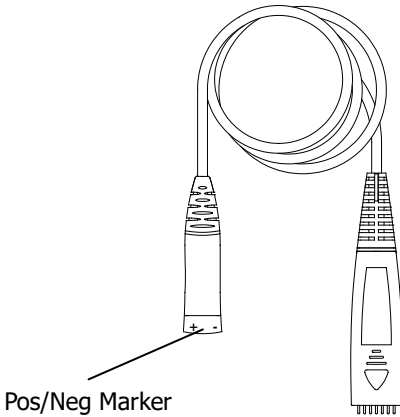


Figure 2 Active Probe Amplifier

When connecting a **probe head** to an **active probe amplifier**, push it straight in. For single-ended probe, when connecting them, pay attention to their polarities. If the polarity is reversed, the performance of the active probe would reduce and the active probe might even be damaged.



CAUTION

There are Pos/Neg markers on the hand-held single-ended probe head and black mark sleeve on the negative pole of the solder-in single-ended probe head.

Probe Head

RP7000S supports **hand-held single-ended probe head**. Before using it, rotating the single-ended ground collar adjusts the spacing between the single-ended ground collar and probe tip, as shown in **Figure 3**.

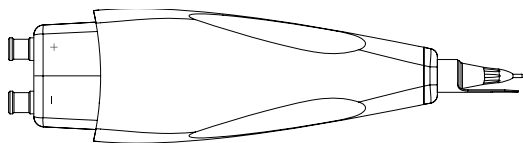


Figure 3 Hand-held Single-ended Probe Head

Wherein, as shown in **Figure 4** and **Figure 5**, probe tip and single-ended ground collar are standard accessories and are both replaceable. If any of them is damaged during use, you can easily replace it with a new one (refer to **To Replace Probe Accessories**).

RP7000S provides 4 kinds of single-ended ground collars for different measurement requirements, the structures of the ground collars are as shown in **Figure 5**.

- a) Straight Acuminate Ground Collar: applicable to measurement of test point that is close to the ground point.
- b) Curved Acuminate Ground Collar: applicable to measurement of test point that is relatively far from the ground point.
- c) Straight Dentiform Ground Collar: applicable to measurement of chip pin test point that is close to the ground point.
- d) Curved Dentiform Ground Collar: applicable to measurement of chip pin test point that is relatively far from the ground point.

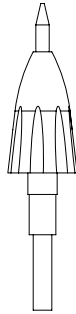
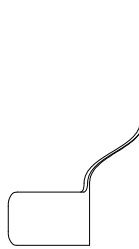


Figure 4 Probe Tip



(a)

Straight Acuminate Ground Collar



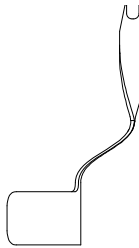
(b)

Curved Acuminate Ground Collar



(c)

Straight Dentiform Ground Collar



(d)

Curved Dentiform Ground Collar

Figure 5 Ground Collar

To Use RP7000S Series

During the use of RP7000S series single-ended active probe, correct operations can ensure the probe performance, prolong the service life of the probe and ensure the effectiveness of the signal measurement result. This chapter introduces in detail the using method of the RP7000S series single-ended active probe.

Main Topics:

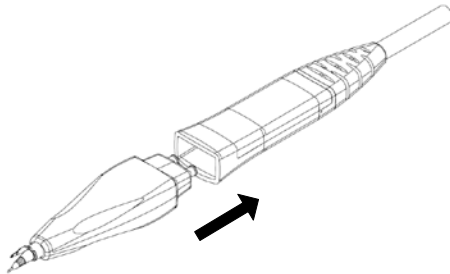
- **To Connect to the Oscilloscope**
- **To Use Hand-held Single-ended Probe Head**
- **To Replace Probe Accessories**
- **To Adjust Offset Voltage**
- **To Calibrate the Probe**

To Connect to the Oscilloscope

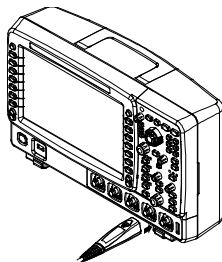
After RP7000S is connected correctly to a **RIGOL** DS6000 or DS4000 series oscilloscope, the oscilloscope recognizes the probe automatically and provides both power and offset voltage to the probe. You can adjust the offset voltage (refer to **To Adjust Offset Voltage**) and calibrate the probe (refer to **To Calibrate the Probe**) by the front panel menu of the oscilloscope.

Please connect the probe to the oscilloscope following the steps below:

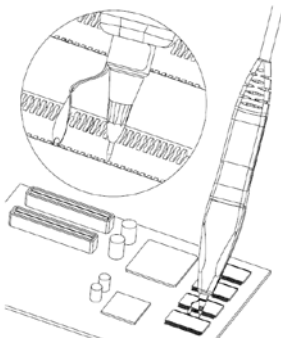
1. Connect the probe head (in the figure, taking a hand-held differential probe head for example) with the active probe amplifier. If single-ended probe head is used, during the connection, pay attention to their polarities.



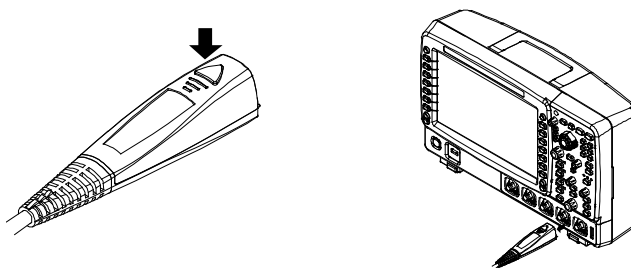
2. Connect the other end of the active probe amplifier to the channel input or external trigger input connector of the oscilloscope and make sure the connection is tight.



3. Use any probe auxiliary device to connect the probe to the circuit to be tested.



4. To disconnect the probe from the oscilloscope, press the button on the probe (as shown in the left figure below), pull the connector straight out of the oscilloscope (as shown in the right figure below) and then release the button.

**CAUTION**

Do not twist the probe on the BNC connector of the oscilloscope, or else, the probe might be damaged.

To Use Hand-held Single-ended Probe Head

Known from **Probe Head**, RP7000S can easily change the probe head by using the method introduced in **To Replace Probe Accessories**. This chapter introduces how to use the probe heads respectively.

The hand-held single-ended probe head provides an effective bandwidth of more than 1.5GHz. Besides, the spacing between the single-ended ground collar and probe tip can be adjusted by rotating the ground collar and the replaceable probe tip and single-ended ground collar prolong the service life of the probe.

The hand-held single-ended probe head can be used to measure single-ended signal. During the measurement, the single-ended ground collar must be grounded. Pay attention to their polarities when connecting the probe head and active probe amplifier.

The structure of the hand-held single-ended probe head is as shown in **Figure 6**.

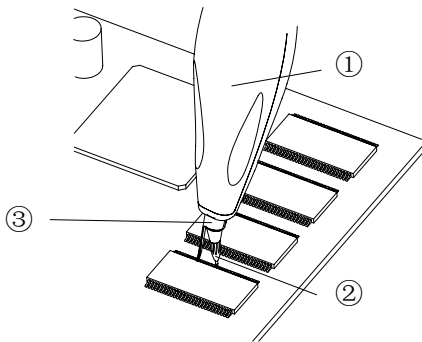


Figure 6 Hand-held Single-ended Probe Head

- ① Hand-held single-ended probe head (RP7S-0205).
- ② 91Ω probe tip (RP7-0405).
- ③ Straight acuminate ground collar: rotating the ground collar adjusts the spacing (0mm to 5mm) between the ground collar and probe tip (RP7-0501).



CAUTION

Ground the ground collar when using the hand-held single-ended probe.

To Replace Probe Accessories

1. To replace the probe head

Take care not to damage the connecting part to avoid affecting the probe performance when replacing the probe head.

Replacing Method:

- ① Disconnect the current probe head from the active probe amplifier.
- ② Push the new probe head into the active probe amplifier straightly. When single-ended probe head is used, pay attention to their polarities.

2. Replace the probe tip

The probe tip and probe head are connected with screw thread, so please note the screw rotation and strength when removing and installing the probe tip.

3. Replace the single-ended ground collar

Make sure the single-ended ground collar is firmly connected to the copper pipe to ensure the probe performance when replacing it.

To Adjust Offset Voltage

RIGOL DS6000/DS4000 series oscilloscope can provide offset voltage to the RP7000S series single-ended active probe. The offset voltage adjusts the measured signal which exceeds the input dynamic range of the probe within an appropriate range to ensure the measured signal's integrity.

You can adjust the offset voltage by operating the front panel menu of the oscilloscope and the operation method is as shown below.

1. Connect the RP7000S series single-ended active probe to the channel input terminal (such as CH1) of the DS6000/DS4000 oscilloscope, referring to **To Connect to the Oscilloscope**.
2. Open the probe offset voltage control menu of the DS6000/DS4000 oscilloscope (front panel operation: **CH1** → **Probe** → **Bias Voltage**) and rotate the knob to adjust the value.

To Calibrate the Probe

Before using RP7000S series single-ended active probe, you can calibrate it using the PCK100 active probe calibration kit. The calibration procedures are shown as below:

1. Connect one BNC-SMA connector to the calibration board and the female BNC of the cable respectively and then connect the other BNC-SMA connector to the other part of the calibration board (called part 1).
2. Connect the RP7000S active probe to the analog channel (CH1 to CH4 of the oscilloscope, illustrations here are based on CH1).

3. Open the probe calibration control menu (front panel operation: **CH1** → **Probe** → **Probe-Cal**). At this point, calibration prompt message is displayed in the user interface of the oscilloscope. Follow the prompt message to connect part 1 to the oscilloscope. Generally, connect the BNC (male) of the connector to the corresponding analog channel and the male BNC of the cable to the **[Trig Out/Calibration]** port at the rear panel of the oscilloscope.
4. Adjust the spacing between the probe tip and the ground collar so as to connect the probe tip to the middle signal line on the calibration board and the ground collar to the both sides of the middle signal line. Note: it is recommended to place the probe tip at the middle of the calibration board.
5. Press **Start** and the oscilloscope starts to calibrate the probe. The calibration will last for about 40 to 50 seconds. When probe calibration finished, "Probe calibration finished!" or "Probe calibration failure!" is displayed in the user interface of the oscilloscope. Note: to ensure the calibration precision, the probe tips must be firmly connected to the calibration board during the calibration.

Note: Relative specifications of the RP7000S series single-ended active probe depend on the calibration operation. After the calibration is finished, the DC gain, offset voltage zero and offset gain will be calibrated. User can query the information about the manufacturer, model, serial number and the last calibration time of the probe through **CH1** → **Probe** → **Probe Info**.

General Care and Cleaning

General Care:

Do not place the probe and its accessories in places where they will be exposed to sun light for long periods of time.



CAUTION

Keep the probe and its accessories away from any corrosive liquid.

Cleaning:

Clean the probe and its accessories regularly according to their operation conditions using the method below.

1. Disconnect the probe from the oscilloscope or voltage source.
2. Remove the loose dust on the exterior of the probe and its accessories using a lint-free cloth (with mild detergent or water).



WARNING

Make sure the probe is completely dry before using it to avoid short circuit and personal injuries.

Warranty

RIGOL warrants that its products mainframe and accessories will be free from defects in materials and workmanship within the warranty period.

If a product is proven to be defective within the respective period, **RIGOL** guarantees the free replacement or repair of products which are approved defective. For detailed warranty description, please refer to **RIGOL** official website or the warranty card. To get repair service or a complete copy of the warranty description, please contact with your nearest **RIGOL** sales and service office.

RIGOL does not provide any other warranty items except the one being provided by this summary and the warranty statement. The warranty items include but not being subjected to the hint guarantee items related to tradable characteristic and any particular purpose. **RIGOL** will not take any responsibility in cases regarding to indirect, particular and ensuing damage.

Specifications

Technical Specifications

Item	RP7150S	RP7080S
Bandwidth	>1.5GHz	>800MHz
Rise Time	<265ps	<465ps
System Bandwidth	1GHz (DS6104 or DS6102)	800MHz (DS6104 or DS6102)
Input Capacitance	<1pF	
Input Resistance	100kΩ±2%	
Input Dynamic Range	±6.25V	
DC Attenuation	10:1 ±2%	
Zero Offset Error [1]	<30mV before calibration <5mV after calibration	
Offset Voltage Range	±12V	
Offset Accuracy [1]	<3% of current range before calibration <1% of current range after calibration	
Input Noise	70mVpp	
Propagation Delay	7ns	
Max Input Voltage	30V Peak CAT I [2]	
Electrostatic Protection	>8kV	

General Characteristics

Environmental Conditions	Operating	Non-operating
Temperature	+5°C to +40°C	-40°C to +70°C
Humidity	0 RH to 80% RH	0 RH to 90% RH
Altitude	4600m	15300m
Power Consumption	1.2W	N/A
Weights	132g±10g ^[3] 1305g±50g ^[4]	
Wire Length	1.4m	

- [1] Typical value. The specifications would change when different scales are selected.
- [2] CAT I and CAT II Definitions
 Installation Category (Overvoltage Category) I: signal level, special equipment or parts of equipment, telecommunication, electronic, etc., with smaller transient voltages than installation category (Overvoltage Category) II.
 Installation Category (Overvoltage Category) II: local level, appliance, portable equipment etc., with smaller transient voltages than installation category (Overvoltage Category) III.
- [3] The weight of the probe with the hand-held single-ended probe head.
- [4] The weight of the RP7000S series single-ended active probe kit with the probe bag and PCK100.